



**Count on it.**

**Parts Catalog**

**48cm Super Recycler<sup>®</sup> Lawn Mower**

Model No. 20836—Serial No. 310000001 and Up



# Ordering Replacement Parts

To order replacement parts, please supply the part number, the quantity, and the description of each part desired.

## Understanding Reference Numbers

Each identified part in an illustration has a reference number. The reference number for a part also appears in the parts list, along with other information about the part.

This catalog uses two special reference number formats, one to indicate parts in a service assembly and another to indicate the quantity of a given part in an illustration.

## Service Assembly Reference Numbers

Parts in service assemblies have reference numbers in the form a:b. The a represents the reference number of the entire service assembly and the b represents a sequential number unique to each part within the service assembly.

For example, a wheel assembly might be identified by reference number 6, the tire by 6:1, the valve by 6:2, and the wheel by 6:3. When you order the assembly identified by reference number 6, you receive all parts identified by reference numbers 6:1, 6:2, and 6:3. However, you may also order any part individually. Reference numbers of this type appear in illustration and in parts lists.

## Reference Numbers Indicating Quantity

In an illustration, if a reference number indicates more than one part, the reference number has the form nX y. The n represents the quantity of the part, the X is the multiplication symbol, and the y represents the reference number.

For example, in an illustration, the reference number 2X 37 means that two of the parts identified by reference number 37 are indicated.

# List of Abbreviations

**AR:** as required

**ASM:** assembly

**BBC:** blade brake control

**BHTF:** button head thread forming

**CARR:** carriage

**CCW:** counter clockwise

**CW:** clockwise

**DEG:** degrees

**DPA:** Dual Point Adjustment

**ECM:** electronic control module

**EXT:** external

**FH:** flat head

**GA:** gauge

**HD:** heavy-duty

**HF:** hex flange

**HH:** hex head

**HHF:** hex head flange

**HHFTF:** hex head flange thread forming

**HJ:** hex jam

**HLH:** hex lag head

**HOC:** height-of-cut

**HSBH:** hex socket button head

**HSFH:** hex socket flat head

**HSH:** hex socket head

**HWH:** hex washer head

**HWHTF:** hex washer head thread forming

**HYD:** hydraulic

**LH:** left hand

**LP:** Liquefied Petroleum Gas

**LPG:** Liquefied Petroleum Gas

**NI:** nylon insert

**NPTF:** national pipe thread fine

**PFH:** phillips flat head

**PPH:** phillips pan head

**PPHTF:** phillips pan head thread forming

**PRH:** phillips round head

**PTH:** phillips truss head

**PTO:** power-take-off

**RH:** right hand

**ROPS:** roll-over protection system

**RRB:** rear roller brush

**SFH:** slotted fillister head

**SHH:** slotted hex head

**SHWH:** slotted hex washer head

**SPH:** slotted pan head

**SQH:** square head

**SRH:** slotted round head

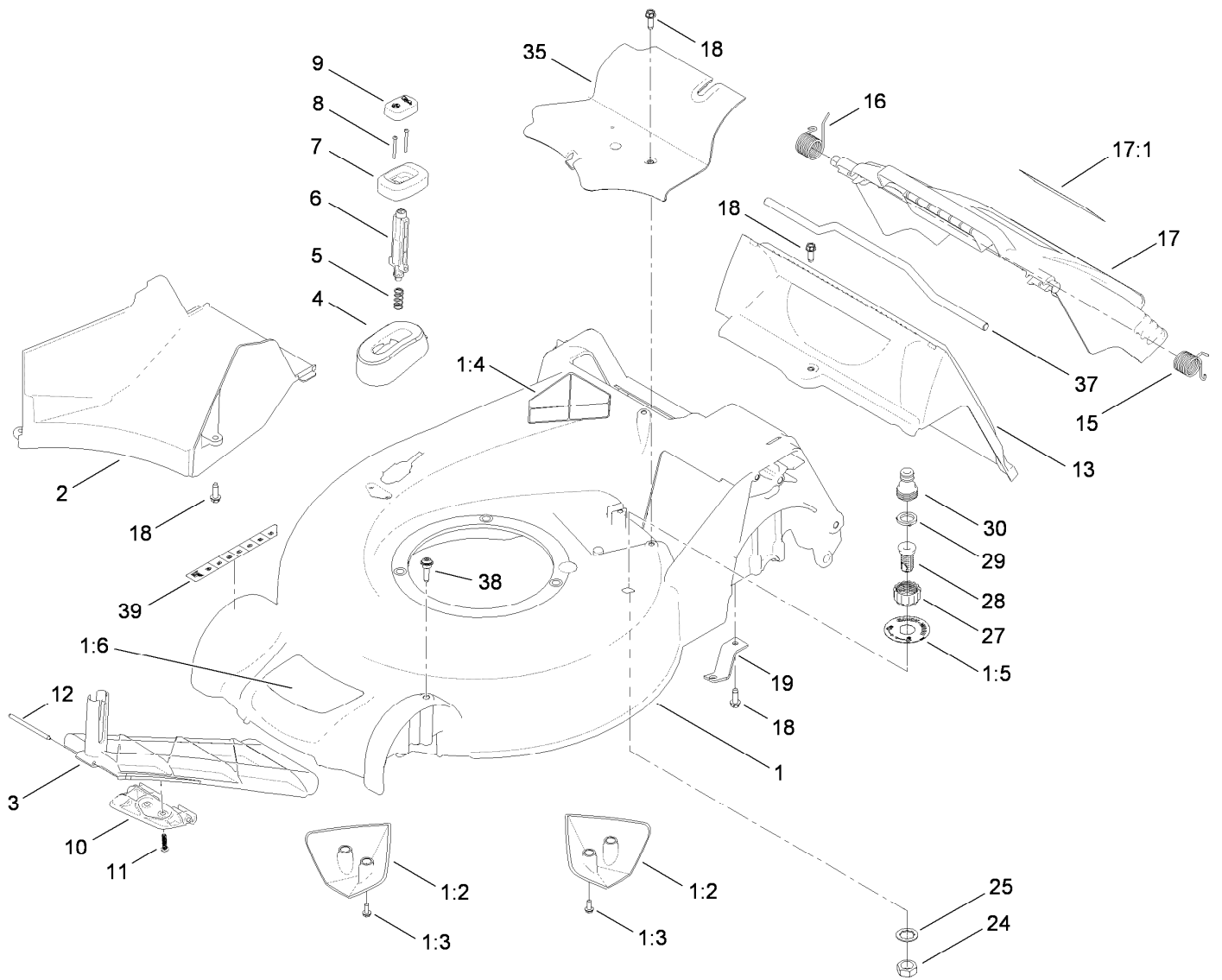
**STD:** standard

**TAP:** self tapping

**TTH:** torx truss head

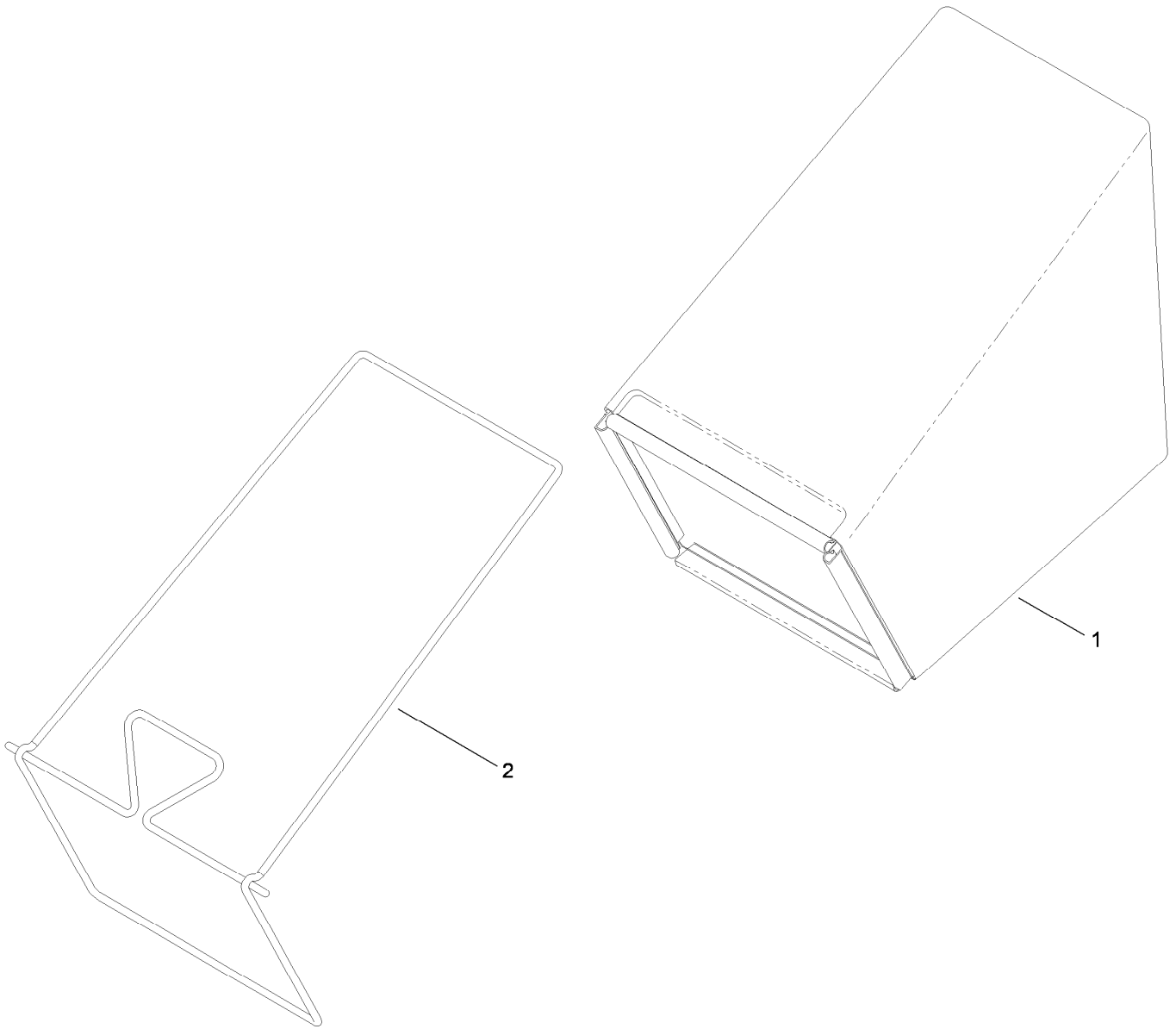
# Contents

Housing and Rear Door Assembly .....	4
Bag and Frame Assembly.....	5
Engine and Blade Assembly.....	6
Engine Assembly No. 119-1900 .....	7
Traction, Height-of-Cut and Suspension Assembly.....	8
Transmission and Belt Assembly.....	9
Handle Assembly .....	10
Attachments and Accessories .....	11



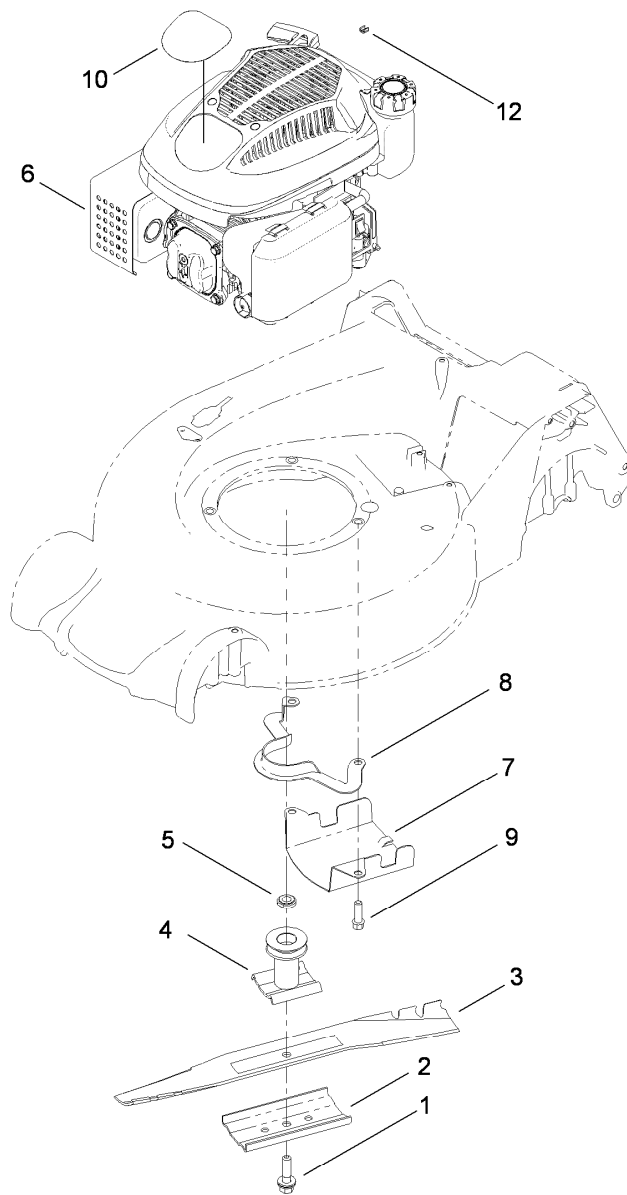
## Housing and Rear Door Assembly

Ref.	Part Number	Qty.	Description	Ref.	Part Number	Qty.	Description
1	117-4093	1	Housing ASM	15	115-2859	1	Spring-Torsion
1:2	99-6485	2	Kicker-Front	16	114-7924	1	Spring-Torsion
1:3	32144-1	4	Screw-Taptite	17	117-4085	1	Rear Door ASM
1:4	112-8760	1	Decal-Danger	17:1	114-7982	1	Decal-Warning
1:5	112-8867	1	Decal-Port, Washout	18	49-2040	5	Screw-HWHTF
1:6	117-9358	1	Decal-Housing	19	117-9385	1	Bracket-Cable, Traction
2	117-4063	1	Ramp-Discharge	24	3218-6	1	Nut-Jam
3	117-4064	1	Door-Recycle	25	3254-5	1	Washer-Tooth, Internal
4	117-4065	1	Cover-Door, Recycle	27	112-6401	1	Coupling-Hose, Washout Port
5	117-1031	1	Spring-Compression	28	112-6400	1	Port-Washout
6	110-7129	1	Latch-Recycle	29	112-6438	1	Washer-Seal, Washout Port
7	110-7136	1	Housing-Knob	30	112-6437	1	Adapter-Connect, Quick
8	110-7143	2	Screw-Torx, Pan Head	35	117-4062	1	Cover-Belt
9	119-2254	1	Knob-Recycle	37	117-9378	1	Rod-Deflector
10	119-2262	1	Hinge-Door, Recycle	38	119-2267	1	Screw-Shoulder, BHTF
11	108-7476	2	Screw-Plastite	39	119-2283	1	Decal-HOC
12	119-2263	1	Pin-Hinge				
13	114-2668	1	Chute				



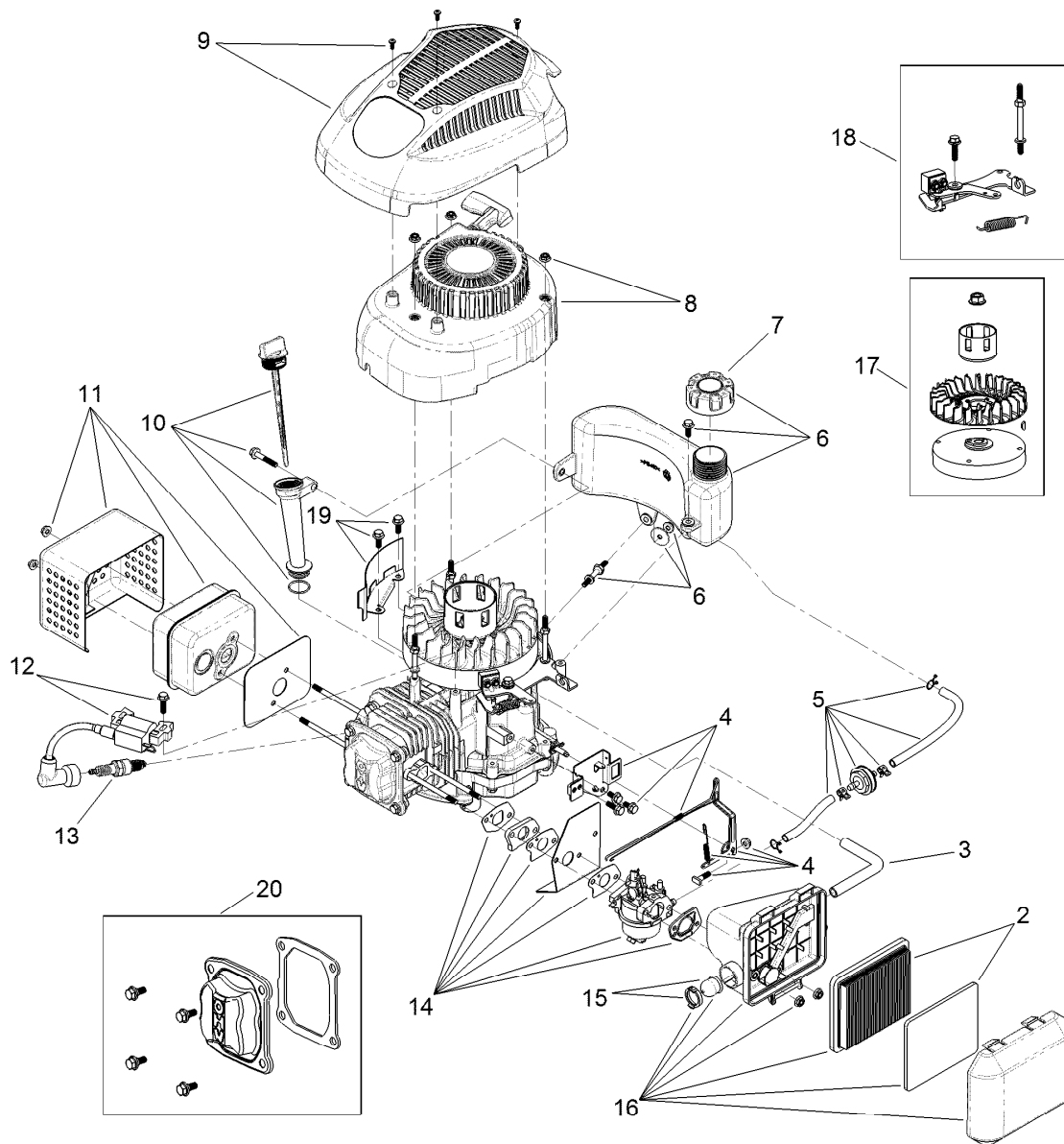
## Bag and Frame Assembly

<i>Ref.</i>	<i>Part Number</i>	<i>Qty.</i>	<i>Description</i>
1	117-9365	1	Grass Bag ASM
2	117-9363-03	1	Bag Frame ASM



## Engine and Blade Assembly

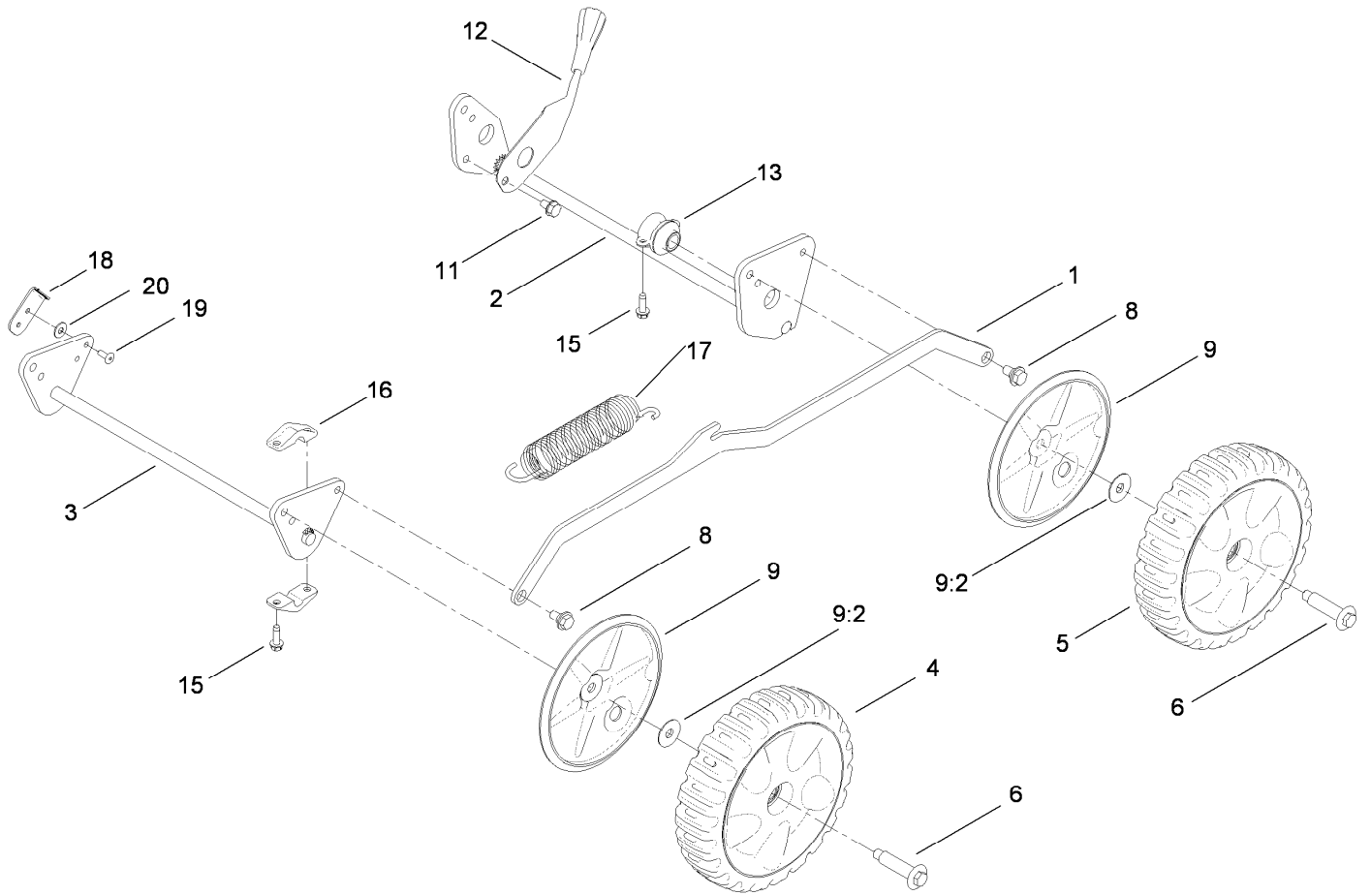
<i>Ref.</i>	<i>Part Number</i>	<i>Qty.</i>	<i>Description</i>
1	105-8579	1	Bolt-Blade
2	108-3766-03	1	Support-Blade
3	110-7080	1	Blade
4	106-3987	1	Blade Driver ASM
5	106-3999	1	Spacer-Driver
6	119-1900	1	Engine-Lc1P65Fa
7	107-7489-03	1	Shield-Glass
8	108-8110-03	1	Guide-Belt
9	92-1648	3	Screw-Mount, Engine
10	119-2264	1	Decal-Engine
12	92-1701	1	Stop-Rope



## Engine Assembly No. 119-1900

Ref.	Part Number	Qty.	Description	Ref.	Part Number	Qty.	Description
2	119-1909	1	Air Filter And Prefilter Kit	12	119-1908	1	Ignition And Hardware Kit
3	119-1902	1	Tube-Breather	13	119-1901	1	Spark Plug
4	119-1918	1	Governor Arm Kit (Spring And Link)	14	120-4420	1	Complete Carb Service Kit
5	120-4400	1	Fuel Line Kit	14	120-4405	1	Carburetor Repair Kit
6	119-1915	1	Fuel Tank Kit (Cap And Hardware)	15	119-1911	1	Primer Bulb And Base Kit
7	119-1914	1	Cap-Fuel	16	121-0429	1	Kit-Air Cleaner ASM, Primer, 2 Hinge
8	119-1904	1	Shroud And Recoil ASM	17	119-1970	1	Flywheel And Fan Kit
9	119-1905	1	Styling Shroud Kit	18	119-1991	1	Brake ASM Recoil Kit
10	119-1903	1	Dipstick And Fill Tube Kit	19	119-1994	1	Flywheel Shield Kit
11	119-1913	1	Muffler Kit (Heat Shield And Gaskets)	20	121-0492	1	Kit-Valve Cover
				21	119-1917	1	Kit-Complete Gasket Seal And O-Ring ●

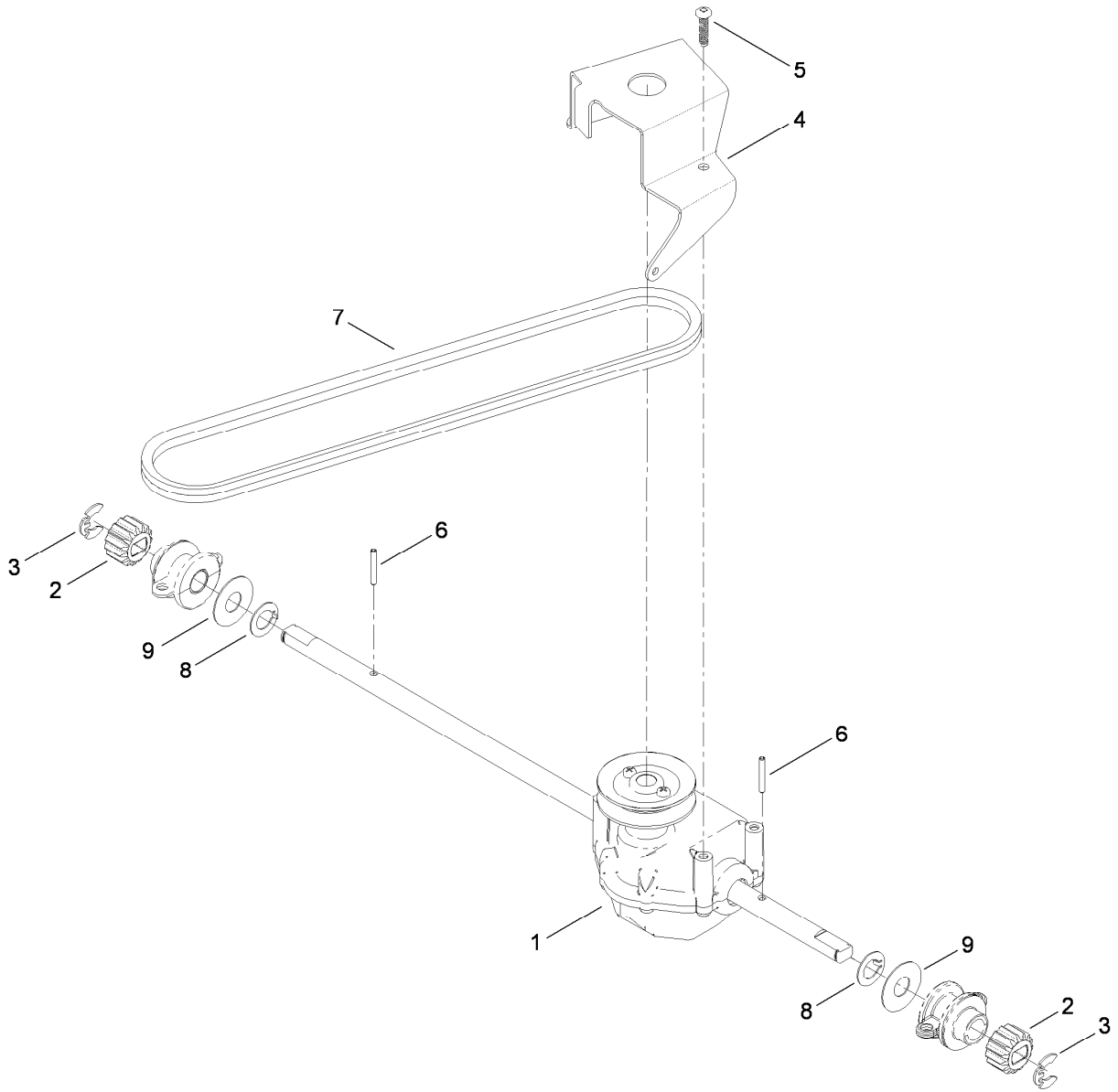
● Not illustrated



## Traction, Height-of-Cut and Suspension Assembly

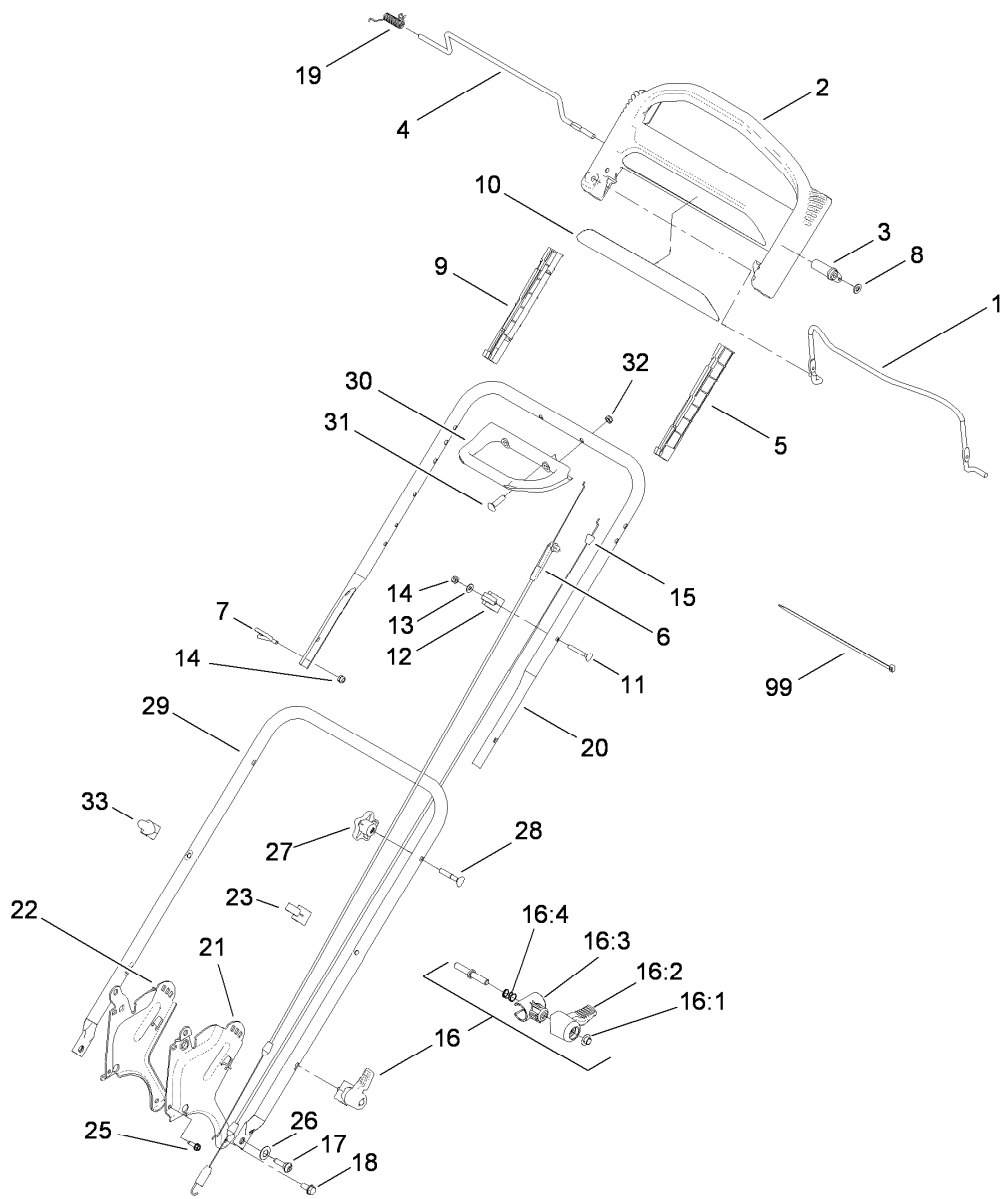
Ref.	Part Number	Qty.	Description	Ref.	Part Number	Qty.	Description
1	117-4066-01	1	Bar-Cross, HOC	11	32104-82	1	Screw-HHF
2	117-9371-03	1	Bar-Pivot, Rear	12	117-4084	1	Handle-Lift Assist
3	117-4076-03	1	Front Pivot Bar ASM	13	119-2278	2	Bushing ASM
4	117-4082	2	8 Inch Wheel ASM	15	49-2040	8	Screw-HWHTF
5	117-4083	2	8 Inch Wheel And Gear ASM	16	100-1500	4	Mount-Axle, Front
6	614650	4	Bolt-Shoulder	17	119-2265	1	Spring-Extension
8	27-0411	2	Screw-Shoulder	18	119-2286	1	Indicator-HOC
9	117-4088	4	Wheel Cover ASM	19	114439	2	Rivet-Pop
9:2	614426	1	Washer-Stepped	20	3256-1	2	Washer-Flat





## Transmission and Belt Assembly

Ref.	Part Number	Qty.	Description
1	117-4086	1	Transmission-Gearbox
2	110-9417	2	Gear-Pinion, 15T
3	65-2720	2	Ring-Clip, Locking
4	114-7977-03	1	Bracket-Transmission
5	108-7476	3	Screw-Plastite
6	110-7192	2	Pin-Roll
7	110-9429	1	V-Belt
8	112-3911	2	Washer-Thrust, Keyed
9	110-7179	2	Washer-Plain



## Handle Assembly

Ref.	Part Number	Qty.	Description	Ref.	Part Number	Qty.	Description
1	104-8679-03	1	Bail-Brake	16:4	115-2858	1	Spring-Compression
2	104-8678	1	Handle-Control	17	119-2267	2	Screw-Shoulder, BHTF
3	99-1589	1	Lever-Traction	18	32144-11	2	Screw-HWHTF
4	99-1588	1	Bar-Control, Traction	19	104-8690	1	Spring-Torsion
5	105-6842	1	Guide-LH	20	117-9376-05	1	Handle-Upper
6	108-8157	1	Cable-Brake	21	114-2671-03	1	Bracket-Handle, LH
7	86-9671	1	Guide-Rope	22	114-2672-03	1	Bracket-Handle, RH
8	3256-23	1	Washer-Flat	23	106-6805	1	Guide-Cable
9	105-6841	1	Guide-RH	25	49-2040	2	Screw-HWHTF
10	110-7056	1	Decal-Handle	26	112-9972	2	Washer-Conical, Spring
11	95-4453	1	Screw	27	117-5976	2	Knob-Handle, Locking
12	99-5239	1	Anchor-Cable	28	112-8876	2	Screw-Handle
13	3256-1	1	Washer-Flat	29	117-9380-05	1	Handle-Lower
14	3296-73	2	Nut-Lock, NI	30	99-1591	1	Handle-Assist, Traction
15	117-9389	1	Cable-Traction	31	99-6005	2	Bolt-Carriage
16	115-2860	2	Quick Release ASM	32	99-6007	2	Nut-Lock, NI
16:1	109-0917	1	Nut-Push	33	117-9384	1	Guide-Rope, Flexible
16:2	114-7995	1	Lever	99	614249	2	Tie-Cable
16:3	114-7996	1	Anchor-Spring				

# Attachments and Accessories

## For 20836 48cm Super Recycler Lawn Mower

Product Name	Model/Part
Cover-Lawnmower .....	490-7462
Plain Walk Mower Cover.....	490-7463



**Count on it.**