



**Count on it.**

**Parts Catalog**

**20-inch Mulching/Rear Bagging  
Lawn Mower**

Model No. 20323—Serial No. 312000001 and Up



# Ordering Replacement Parts

To order replacement parts, please supply the part number, the quantity, and the description of each part desired.

## Understanding Reference Numbers

Each identified part in an illustration has a reference number. The reference number for a part also appears in the parts list, along with other information about the part.

This catalog uses two special reference number formats, one to indicate parts in a service assembly and another to indicate the quantity of a given part in an illustration.

## Service Assembly Reference Numbers

Parts in service assemblies have reference numbers in the form a:b. The a represents the reference number of the entire service assembly and the b represents a sequential number unique to each part within the service assembly.

For example, a wheel assembly might be identified by reference number 6, the tire by 6:1, the valve by 6:2, and the wheel by 6:3. When you order the assembly identified by reference number 6, you receive all parts identified by reference numbers 6:1, 6:2, and 6:3. However, you may also order any part individually. Reference numbers of this type appear in illustration and in parts lists.

## Reference Numbers Indicating Quantity

In an illustration, if a reference number indicates more than one part, the reference number has the form nX y. The n represents the quantity of the part, the X is the multiplication symbol, and the y represents the reference number.

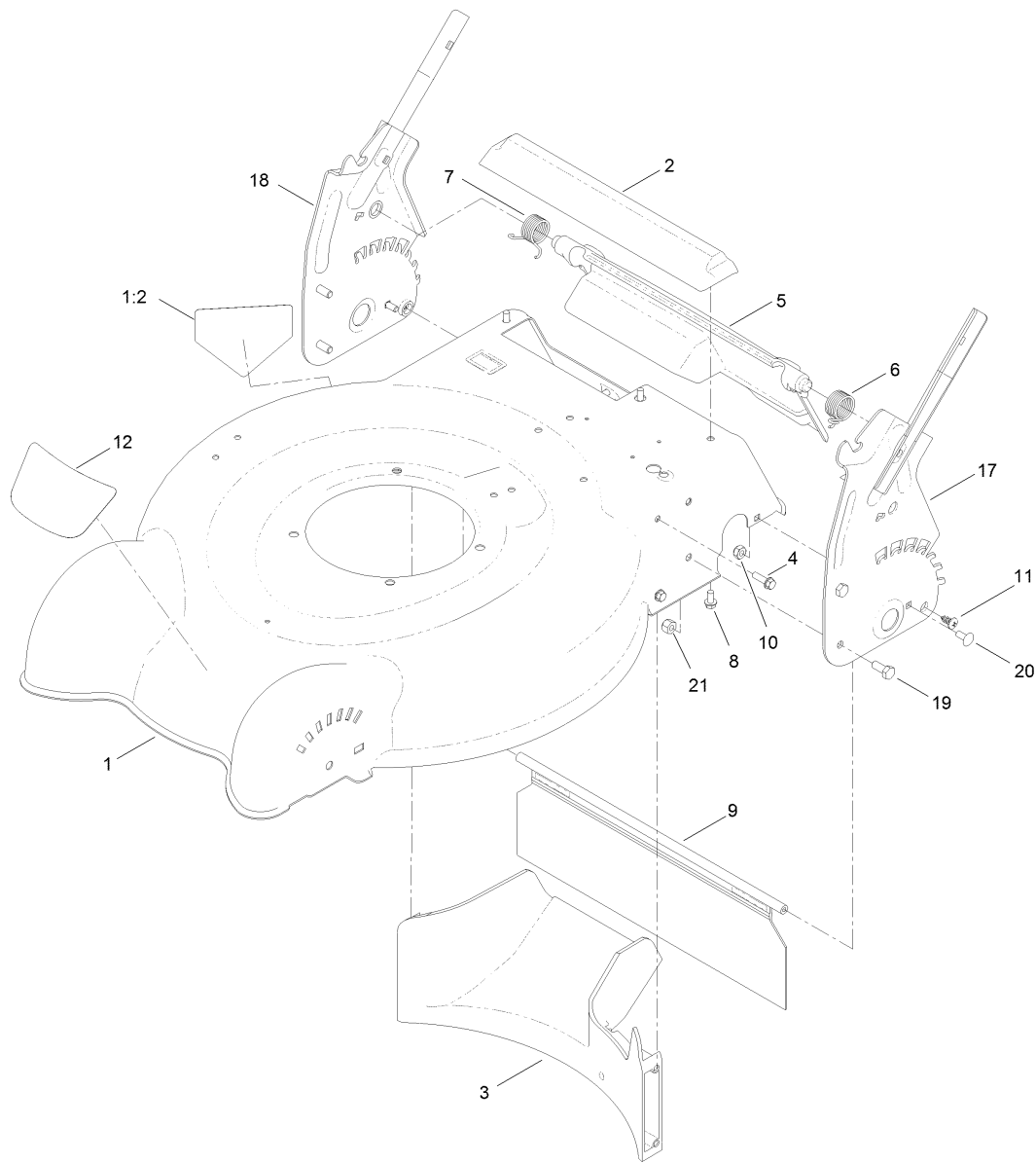
For example, in an illustration, the reference number 2X 37 means that two of the parts identified by reference number 37 are indicated.

# List of Abbreviations

<b>AR:</b> as required	<b>HLH:</b> hex lag head	<b>PTO:</b> power-take-off
<b>ASM:</b> assembly	<b>HOC:</b> height-of-cut	<b>RH:</b> right hand
<b>BBC:</b> blade brake control	<b>HSBH:</b> hex socket button head	<b>ROPS:</b> roll-over protection system
<b>BHTF:</b> button head thread forming	<b>HSFH:</b> hex socket flat head	<b>RRB:</b> rear roller brush
<b>CARR:</b> carriage	<b>HSH:</b> hex socket head	<b>SFH:</b> slotted fillister head
<b>CCW:</b> counter clockwise	<b>HWH:</b> hex washer head	<b>SHH:</b> slotted hex head
<b>CW:</b> clockwise	<b>HWHTF:</b> hex washer head thread forming	<b>SHWH:</b> slotted hex washer head
<b>DEG:</b> degrees	<b>HYD:</b> hydraulic	<b>SPH:</b> slotted pan head
<b>DPA:</b> Dual Point Adjustment	<b>LH:</b> left hand	<b>SQH:</b> square head
<b>ECM:</b> electronic control module	<b>LP:</b> Liquefied Petroleum Gas	<b>SRH:</b> slotted round head
<b>EXT:</b> external	<b>LPG:</b> Liquefied Petroleum Gas	<b>STD:</b> standard
<b>FH:</b> flat head	<b>NI:</b> nylon insert	<b>TAP:</b> self tapping
<b>GA:</b> gauge	<b>NPTF:</b> national pipe thread fine	<b>TTH:</b> torx truss head
<b>HD:</b> heavy-duty	<b>PFH:</b> phillips flat head	
<b>HF:</b> hex flange	<b>PPH:</b> phillips pan head	
<b>HH:</b> hex head	<b>PPHTF:</b> phillips pan head thread forming	
<b>HHF:</b> hex head flange	<b>PRH:</b> phillips round head	
<b>HHFTF:</b> hex head flange thread forming	<b>PTH:</b> phillips truss head	
<b>HJ:</b> hex jam		

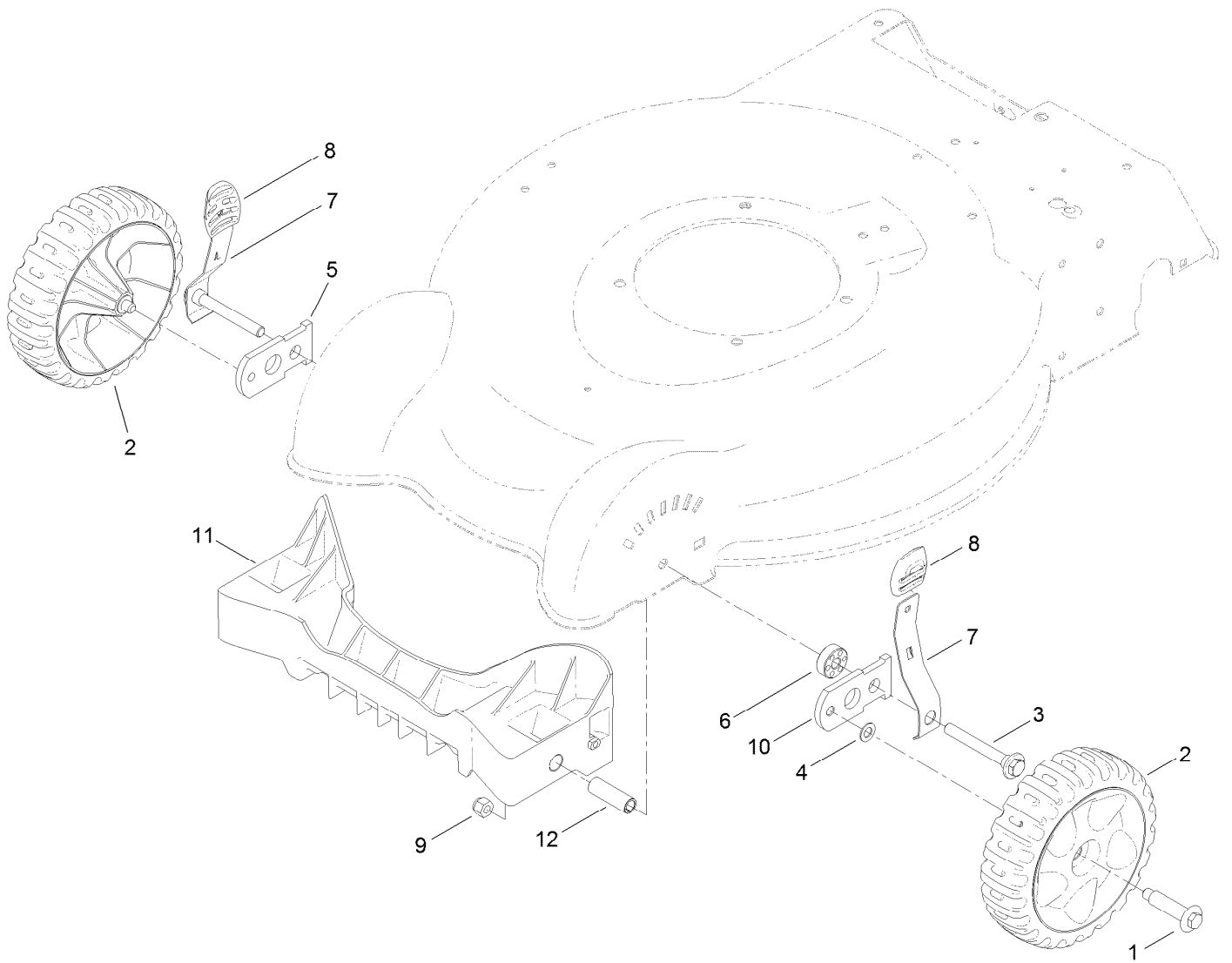
# Contents

Housing and Rear Door Assembly .....	4
Front Wheel and Height-of-Cut Assembly .....	5
Rear Wheel and Height-of-Cut Assembly .....	6
Engine and Blade Assembly .....	7
Engine Assembly No. 119-1989 .....	8
Handle Assembly .....	10
Rear Bag Assembly .....	11
Attachments and Accessories .....	12



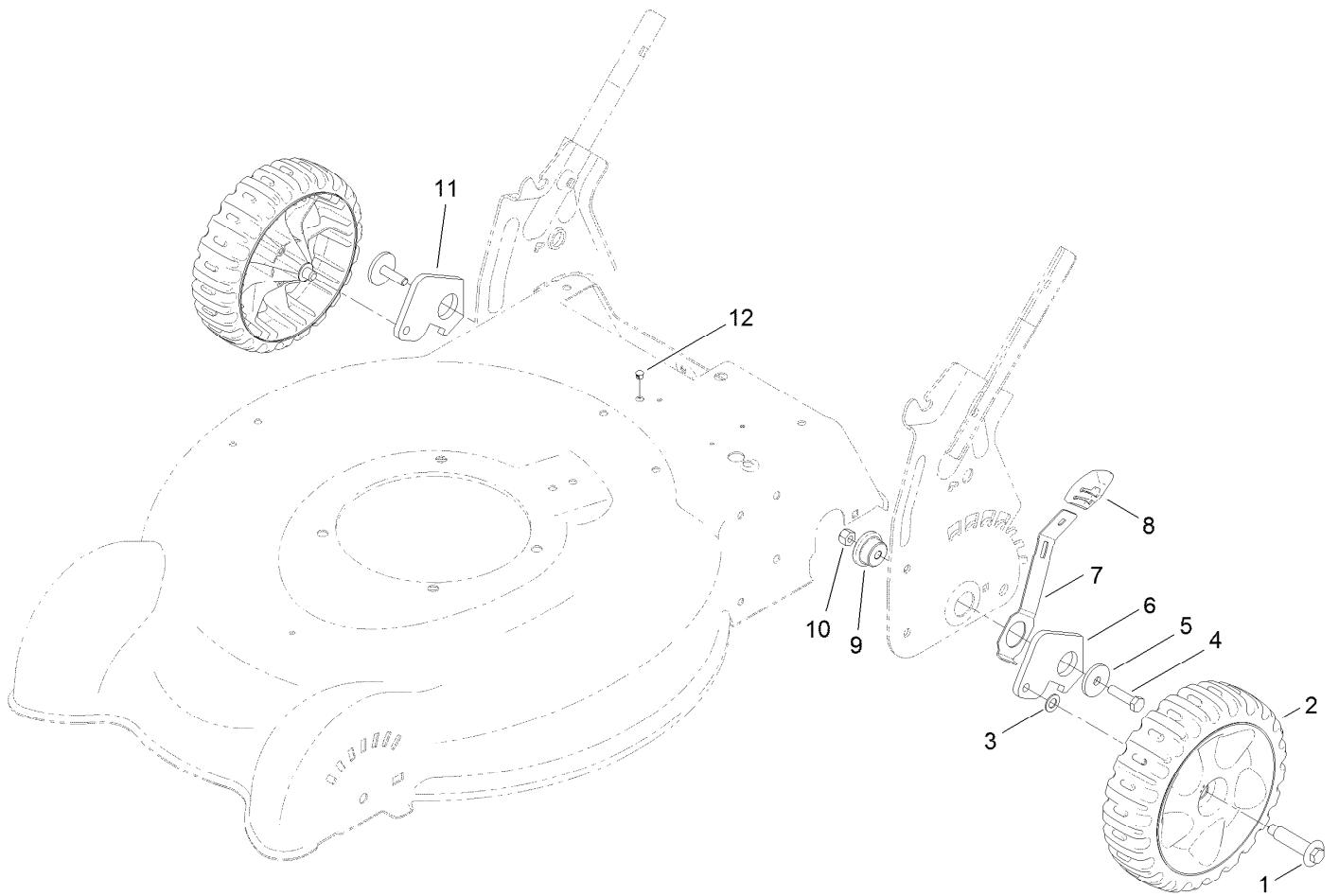
## Housing and Rear Door Assembly

<b>Ref.</b>	<b>Part Number</b>	<b>Qty.</b>	<b>Description</b>	<b>Ref.</b>	<b>Part Number</b>	<b>Qty.</b>	<b>Description</b>
1	120-9482	1	Housing ASM	9	120-7010	1	Shield-Trailing
1:2	94-8072	1	Decal-Danger	10	3296-16	2	Nut-Lock, NI
2	112-8845	1	Chute-Rear	11	117-1092	2	Screw-PTH
3	112-8814	1	Baffle-Rear	12	119-7008	1	Decal-Deck
4	46-8091	5	Screw-HWH	17	119-3804-03	1	HOC-LH
5	119-7029	1	Rear Deflector ASM	18	119-3805-03	1	HOC-RH
6	119-7015	1	Spring-Torsion, LH	19	322-3	4	Screw-HH
7	119-7016	1	Spring-Torsion, RH	20	3229-11	2	Screw-CARR
8	46-8093	3	Screw-Plastite	21	3296-29	4	Nut-Lock, NI



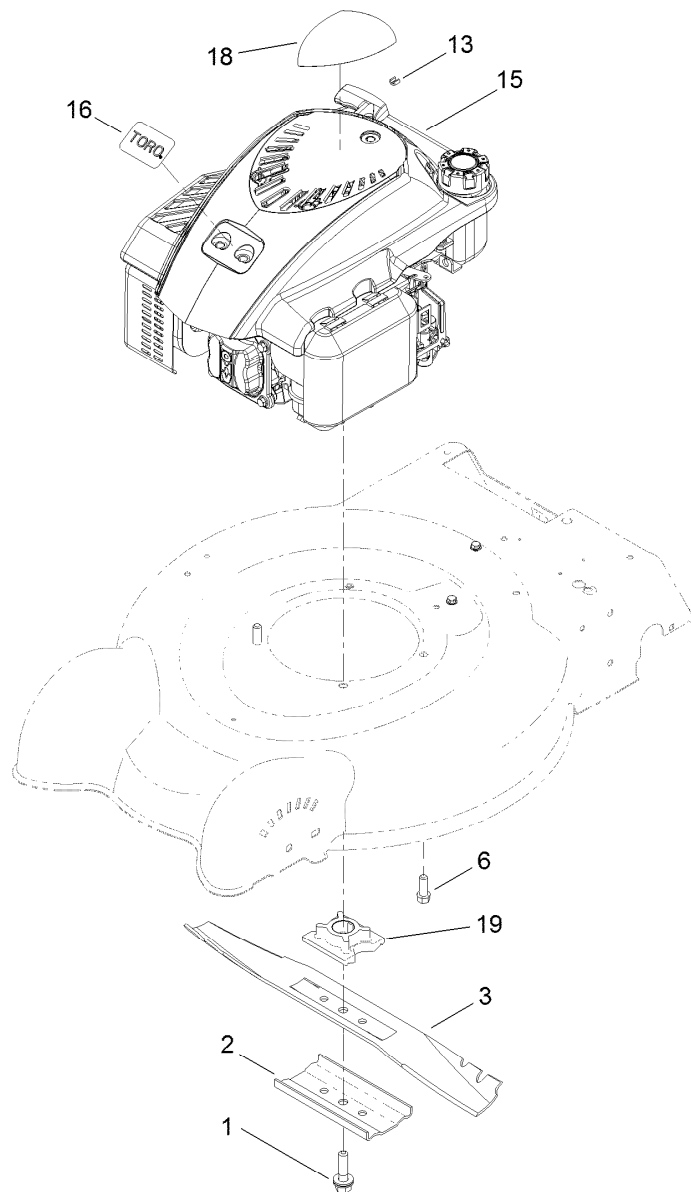
## Front Wheel and Height-of-Cut Assembly

Ref.	Part Number	Qty.	Description
1	614650	2	Bolt-Shoulder
2	119-3777	2	7 Inch Wheel And Tire ASM
3	117-5996	2	Bolt-Shoulder
4	40-1940	2	Washer
5	107-3877	1	Arm-Pivot, RH
6	117-5997	2	Spacer-Arm, Pivot
7	112-8828	2	Arm-Spring, Front
8	105-3042	2	Knob-Lever, HOC
9	3296-39	2	Nut-Lock, NI
10	108-1044	1	Arm-Pivot, LH
11	119-7082	1	Baffle-Throw, Front
12	117-5992	2	Spacer-Baffle, Front



## Rear Wheel and Height-of-Cut Assembly

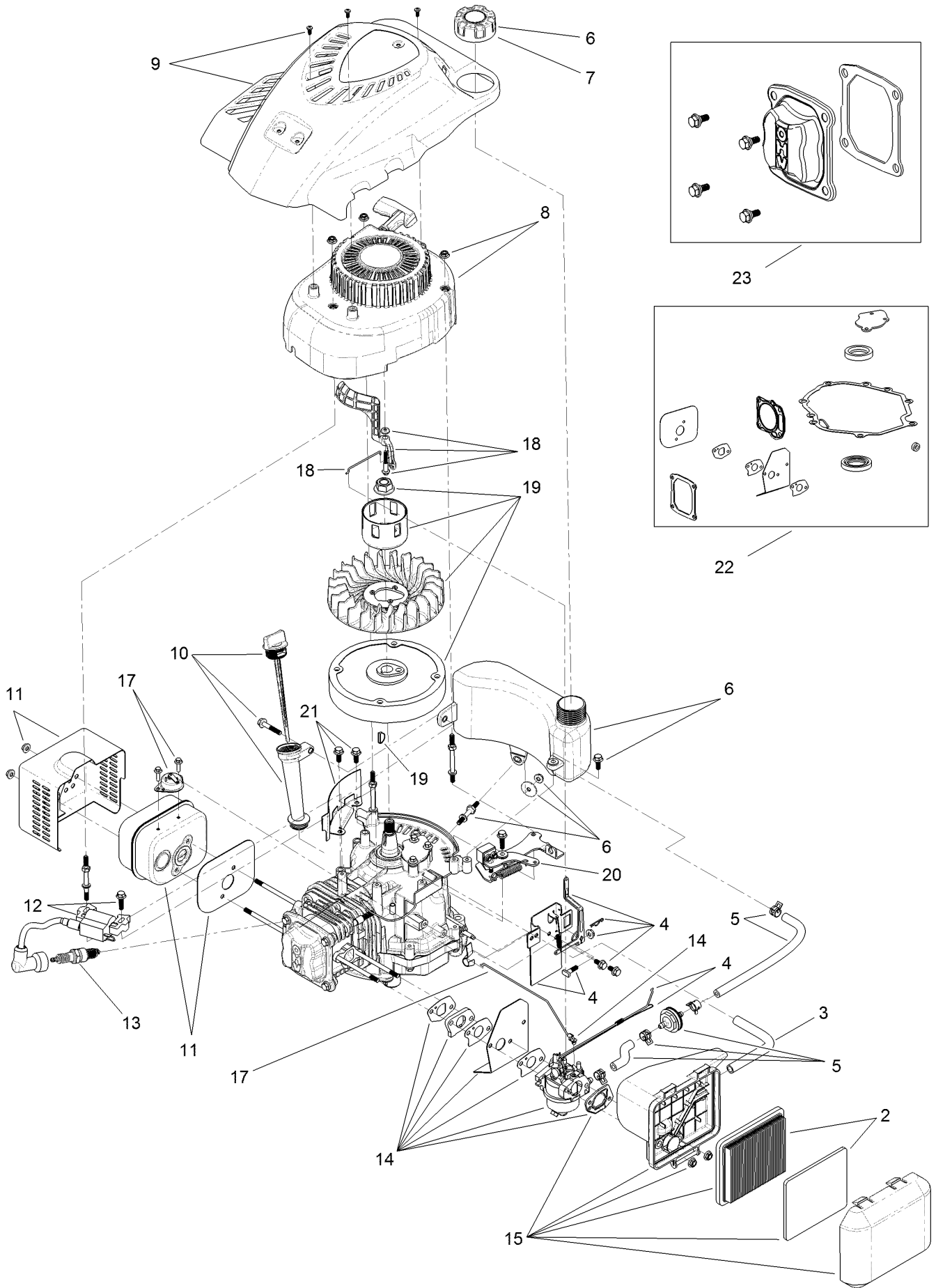
Ref.	Part Number	Qty.	Description
1	614650	2	Bolt-Shoulder
2	117-5995	2	8 Inch Wheel And Tire ASM
3	40-1940	2	Washer
4	322-6	2	Screw-HH
5	105-3048	2	Washer-Flat
6	105-1819	1	Arm-Pivot, Rear (LH)
7	105-1809	2	Arm-Spring
8	105-3042	2	Knob-Lever, HOC
9	105-1818	2	Bushing-Mount, HOC
10	3296-29	6	Nut-Lock, NI
11	108-4816	1	Arm-Pivot, Rear (RH)
12	104-9373	5	Plug-Dome



## Engine and Blade Assembly

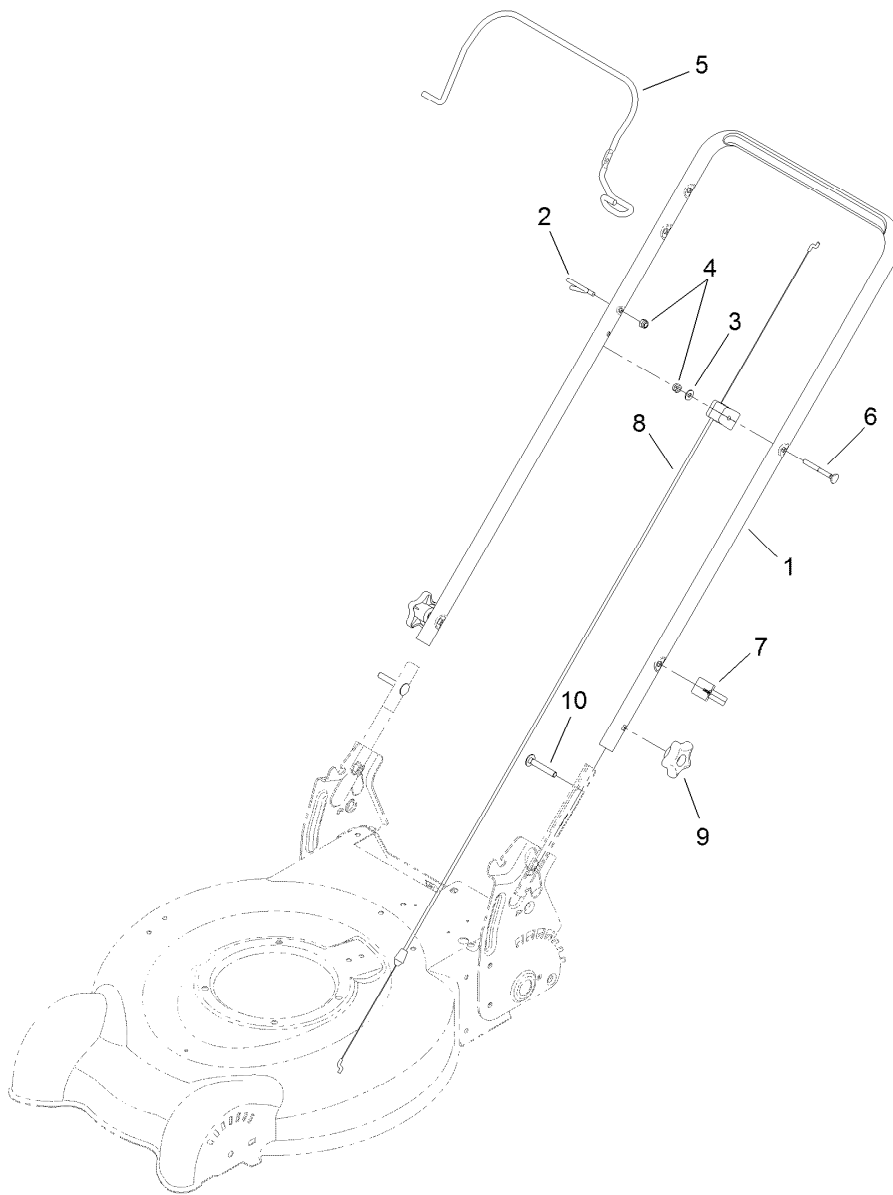
<i>Ref.</i>	<i>Part Number</i>	<i>Qty.</i>	<i>Description</i>
1	105-8579	1	Bolt-Blade
2	108-3766-03	1	Support-Blade
3	112-8841-03	1	Blade-20 Inch
6	95-1726	3	Screw-Taptite
13	92-1701	1	Stop-Rope
15	119-1989	1	Engine-Lc1P65Fa
16	119-3808	1	Plate-Logo, Toro
18	121-5822	1	Decal-Shroud
19	104-1007	1	Retainer-Blade

# Engine Assembly No. 119-1989



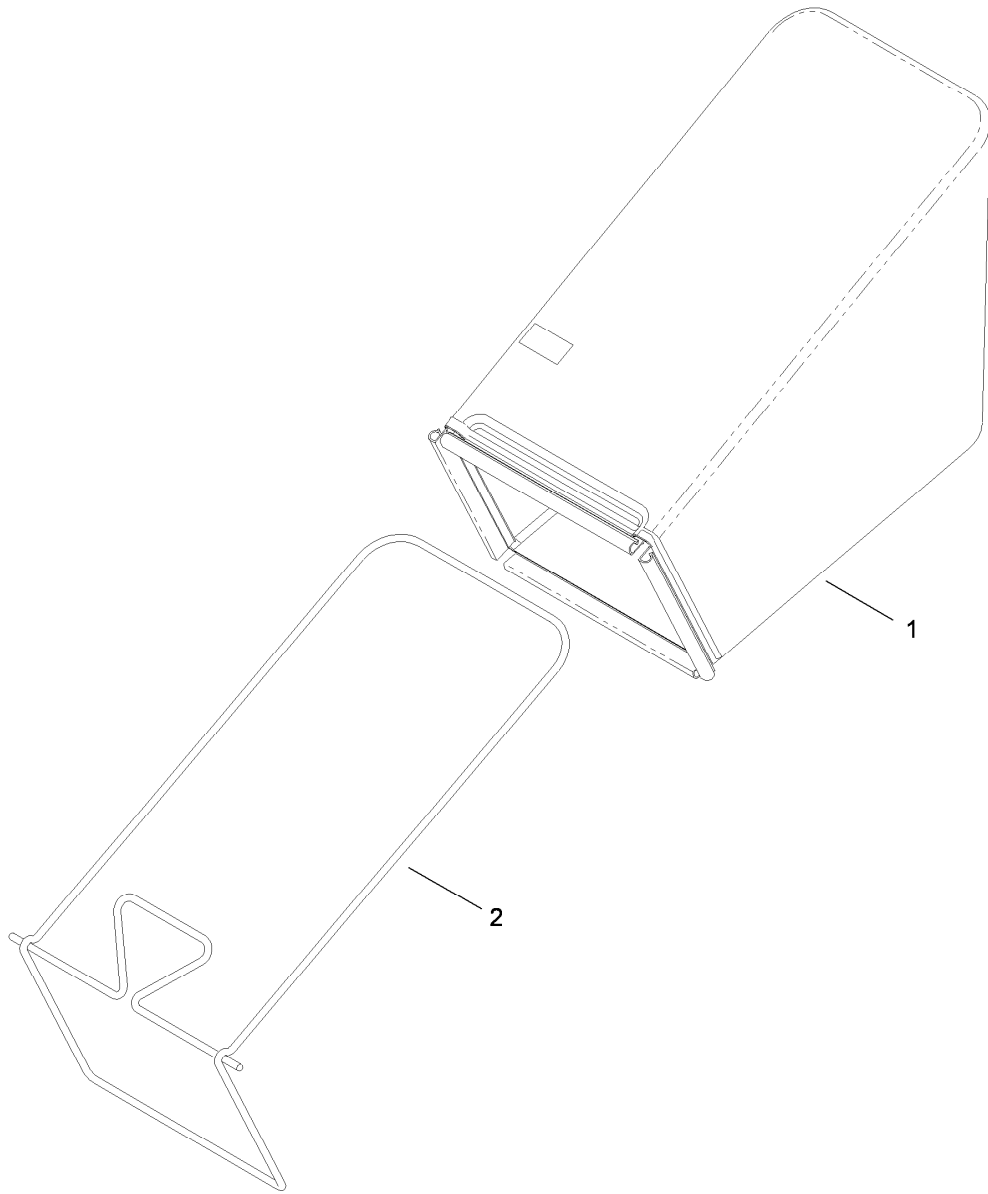
## Engine Assembly No. 119-1989 (continued)

<i>Ref.</i>	<i>Part Number</i>	<i>Qty.</i>	<i>Description</i>	<i>Ref.</i>	<i>Part Number</i>	<i>Qty.</i>	<i>Description</i>
2	119-1909	1	Air Filter And Prefilter Kit	13	119-1901	1	Spark Plug
3	119-1902	1	Tube-Breather	14	120-4404	1	Carburetor Complete Kit
4	119-1968	1	Governor Arm Kit	14	120-4405	1	Carburetor Repair Kit
5	120-4400	1	Fuel Line Kit	15	121-0374	1	Air Cleaner ASM, 2 Hinge
6	119-1915	1	Fuel Tank Kit (Cap And Hardware)	17	119-1999	1	Thermal Choke Control Kit
7	119-1914	1	Cap-Fuel	18	119-1966	1	Air Vane Choke Kit
8	119-1904	1	Shroud And Recoil ASM	19	119-1970	1	Flywheel And Fan Kit
9	119-1990	1	Shroud ASM	20	119-1991	1	Brake ASM Recoil Kit
10	119-1903	1	Dipstick And Fill Tube Kit	21	119-1994	1	Flywheel Shield Kit
11	119-1969	1	Muffler And Shield Kit	22	121-0425	1	Seal And Gasket Kit
12	119-1908	1	Ignition And Hardware Kit	23	121-0492	1	Kit-Valve Cover



## Handle Assembly

<b>Ref.</b>	<b>Part Number</b>	<b>Qty.</b>	<b>Description</b>
1	119-0308-05	1	Handle-Upper
2	86-9671	1	Guide-Rope
3	3256-1	1	Washer-Flat
4	3296-73	2	Nut-Lock, NI
5	117-5940-03	1	Bail-Brake
6	92-2270	1	Screw-Handle
7	114-7988	1	Guide-Cable
8	112-8818	1	Cable-Brake
9	117-5976	2	Knob-Handle, Locking
10	3230-6	2	Screw-CARR



## Rear Bag Assembly

<i>Ref.</i>	<i>Part Number</i>	<i>Qty.</i>	<i>Description</i>
1	119-3759	1	Grass Bag ASM
2	120-7029-03	1	Bag Frame ASM

# Attachments and Accessories

## For 20323 20-inch Mulching/Rear Bagging Lawn Mower

Product Name	Model/Part
Cover-Lawnmower .....	490-7462
Rear-Discharge Deflector, 2009 and After 20in Steel Deck Mower .....	89964

**Notes:**

**Notes:**

**Notes:**



**Count on it.**