

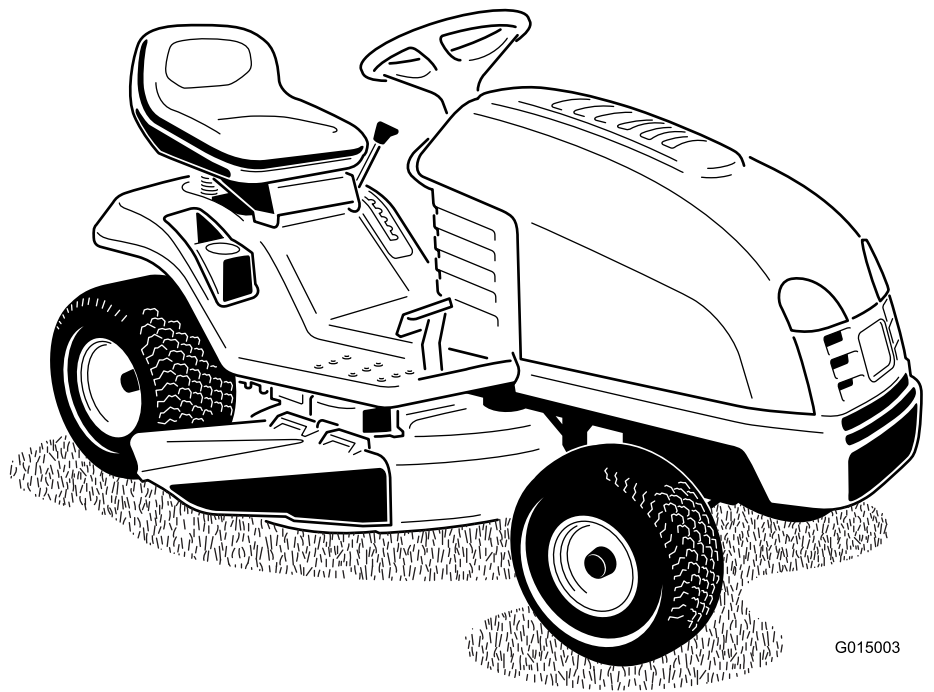


Count on it.

Operator's Manual

XLS 380 Lawn Tractor

Model No. 71254—Serial No. 313000001 and Up



G015003



This product complies with all relevant European directives. For details, see the separate product specific Declaration of Conformity (DOC) sheet.



Figure 2

1. Safety alert symbol

Introduction

This rotary-blade, riding lawn mower is intended to be used by residential homeowners or professional, hired operators. It is designed primarily for cutting grass on well-maintained lawns on residential or commercial properties. It is not designed for cutting brush or for agricultural uses.

Read this information carefully to learn how to operate and maintain your product properly and to avoid injury and product damage. You are responsible for operating the product properly and safely.

You may contact Toro directly at www.Toro.com for product and accessory information, help finding a dealer, or to register your product.

Whenever you need service, genuine Toro parts, or additional information, contact an Authorized Service Dealer or Toro Customer Service and have the model and serial numbers of your product ready. Figure 1 identifies the location of the model and serial numbers on the product. Write the numbers in the space provided.

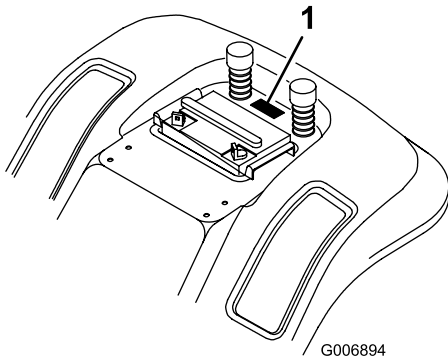


Figure 1

1. Model and serial number location (under the seat)

Model No. _____
Serial No. _____

This manual identifies potential hazards and has safety messages identified by the safety alert symbol (Figure 2), which signals a hazard that may cause serious injury or death if you do not follow the recommended precautions.

This manual uses 2 words to highlight information. **Important** calls attention to special mechanical information and **Note** emphasizes general information worthy of special attention.

Contents

Safety	3
Safe Operation Practices for Ride-on (Riding)	
Rotary Lawn Mowers	3
Toro Riding Mower Safety	5
Sound Pressure	5
Sound Power	5
Vibration.....	5
Slope Indicator	6
Safety and Instructional Decals	7
Product Overview	10
Controls	10
Specifications	10
Operation	11
Gasoline and Oil	11
Positioning the Seat	11
Operating the Headlights.....	11
Operating the Blade Control (PTO)	12
Setting the Height-of-Cut	12
Adjusting the Anti-scalp Wheels	12
Starting the Engine	12
Stopping the Engine	13
Using the Safety Interlock System	13
Testing the Safety Interlock System	14
Pushing the Machine Manually	14
Driving Forward or Backward	15
Stopping the Machine	15
Side Discharging the Grass	15
Operating Tips.....	16
Maintenance	17
Recommended Maintenance Schedule(s)	17
Lubrication	18
Greasing and Lubricating the Machine.....	18
Engine Maintenance	19
Servicing the Engine Oil.....	19
Servicing the Air Cleaner	21
Servicing the Spark Plug	22
Fuel System Maintenance	23
Draining the Fuel Tank	23
Replacing the Fuel Filter.....	23
Electrical System Maintenance	24
Servicing the Battery	24
Servicing the Fuse	25
Cooling System Maintenance	26

Cleaning the Cooling System.....	26
Blade Maintenance.....	26
Servicing the Blades.....	26
Leveling the Mower from Side-to-Side.....	29
Adjusting the Front-to-Rear Blade Slope.....	29
Checking the Tire Pressure.....	30
Servicing the Headlights.....	31
Cleaning.....	31
Washing the Underside of the Mower.....	31
Storage.....	32
Troubleshooting.....	34
Schematics.....	36

Safety

Safe Operation Practices for Ride-on (Riding) Rotary Lawn Mowers

Read and understand the contents of this manual before operating the tractor.

The following instructions are from the CEN standard EN 836:1997.

This product is capable of amputating hands and feet and of throwing objects. Always follow all safety instructions to avoid serious injury or death.

Training

- Read the instructions carefully. Be familiar with the controls and the proper use of the equipment.
- Never allow children or people unfamiliar with these instructions to use the lawn mower. Local regulations can restrict the age of the operator.
- Never mow while people, especially children, or pets are nearby.
- Keep in mind that the operator or user is responsible for accidents or hazards occurring to other people or their property.
- Do not carry passengers.
- All drivers should seek and obtain professional and practical instruction. Such instruction should emphasize:
 - the need for care and concentration when working with ride-on machines;
 - control of a ride-on machine sliding on a slope will not be regained by the application of the brake. The main reasons for loss of control are:
 - ◇ insufficient wheel grip;
 - ◇ being driven too fast;
 - ◇ inadequate braking;
 - ◇ the type of machine is unsuitable for its task;
 - ◇ lack of awareness of the effect of ground conditions, especially slopes;
 - ◇ incorrect hitching and load distribution.

Preparation

- While mowing, always wear substantial footwear and long trousers. Do not operate the equipment when barefoot or wearing open sandals.
- Thoroughly inspect the area where the equipment is to be used and remove all objects which may be thrown by the machine.
- **Warning**—Fuel is highly flammable.
 - Store fuel in containers specifically designed for this purpose.

- Refuel outdoors only and do not smoke while refuelling.
- Add fuel before starting the engine. Never remove the cap of the fuel tank or add fuel while the engine is running or when the engine is hot.
- If fuel is spilled, do not attempt to start the engine but move the machine away from the area of spillage and avoid creating any source of ignition until fuel vapors have dissipated.
- Replace all fuel tanks and container caps securely.
- Replace faulty silencers.
- Before using, always visually inspect to see that the blades, blade bolts, and cutter assembly are not worn or damaged. Replace worn or damaged blades and bolts in sets to preserve balance.
- On multi-bladed machines, take care, as rotating one blade can cause other blades to rotate.

Operation

- Do not operate the engine in a confined space where dangerous carbon monoxide fumes can collect.
- Mow only in daylight or in good artificial light.
- Before attempting to start the engine, disengage all blade attachment clutches and shift into neutral.
- Do not use on slopes of more than
 - 10° when mowing on side hills;
 - 15° when mowing uphill;
 - 15° when mowing downhill.
- Remember there is no such thing as a safe slope. Travel on grass slopes requires particular care. To guard against overturning:
 - do not stop or start suddenly when going up or downhill;
 - apply pressure to the traction control slowly, especially when travelling downhill;
 - machine speeds should be kept low on slopes and during tight turns;
 - stay alert for humps and hollows and other hidden hazards;
 - never mow across the face of the slope, unless the machine is designed for this purpose.
- Use care when pulling loads or using heavy equipment.
 - Use only approved drawbar hitch points.
 - Limit loads to those you can safely control.
 - Do not turn sharply. Use care when reversing.
 - Use counterweight(s) or wheel weights when suggested in the instruction handbook.
- Lightning can cause severe injury or death. If you see lightning or hear thunder in the area, do not operate the machine; seek shelter.

- Watch out for traffic when crossing or near roadways.
- Stop the blades rotating before crossing surfaces other than grass.
- When using any attachments, never direct discharge of material toward bystanders nor allow anyone near the machine while in operation.
- Never operate the machine with damaged guards or without safety protective devices in place.
- Do not change the engine governor settings or overspeed the engine. Operating the engine at excessive speed can increase the hazard of personal injury.
- Before leaving the operator's position:
 - disengage the power take-off and lower the attachments;
 - remove your foot from the traction-control pedal;
 - stop the engine and remove the key.
- Disengage drive to attachments, stop the engine, and disconnect the spark-plug wire(s) or remove the ignition key
 - before clearing blockages or unclogging the chute;
 - before checking, cleaning, or working on the machine;
 - after striking a foreign object. Inspect the machine for damage and make repairs before restarting and operating the machine;
 - if the machine starts to vibrate abnormally (check immediately).
- Disengage drive to attachments when transporting or not in use.
- Stop the engine and disengage drive to attachment
 - before refuelling;
 - before removing the grass catcher;
 - before making height adjustment unless adjustment can be made from the operator's position.
- Reduce the throttle setting during engine run-out and, if the engine is provided with a shut-off valve, turn the fuel off at the conclusion of mowing.

Maintenance and Storage

- Keep all nuts, bolts and screws tight to be sure the equipment is in safe working condition.
- Never store the equipment with fuel in the tank inside a building where fumes can reach an open flame or spark.
- Allow the engine to cool before storing in any enclosure.
- To reduce the fire hazard, keep the engine, silencer, battery compartment and fuel storage area free of grass, leaves, or excessive grease.
- Check the grass catcher frequently for wear or deterioration.
- Replace worn or damaged parts for safety.

- If the fuel tank has to be drained, this should be done outdoors.
- On multi-bladed machines, take care as rotating one blade can cause other blades to rotate.
- When machine is to be parked, stored or left unattended, lower the cutting means unless a positive mechanical lock is used.

Toro Riding Mower Safety

The following paragraph contains safety information specific to Toro products that is not included in the CEN standard.

Use only Toro-approved attachments. The warranty may be voided if you use the tractor with unapproved attachments.

Sound Pressure

This unit has a sound pressure level at the operator's ear of 88 dBA, which includes an Uncertainty Value (K) of 1 dBA. The sound pressure level was determined according to the procedures outlined in EN 836.

Sound Power

This unit has a guaranteed sound power level of 100 dBA, which includes an Uncertainty Value (K) of 1 dBA. The sound power level was determined according to the procedures outlined in ISO 11094.

Vibration

Hand-Arm

- Measured vibration level for left hand = 5.1 m/s²
- Measured vibration level for right hand = 4.9 m/s²
- Uncertainty Value (K) = 2.0 m/s²

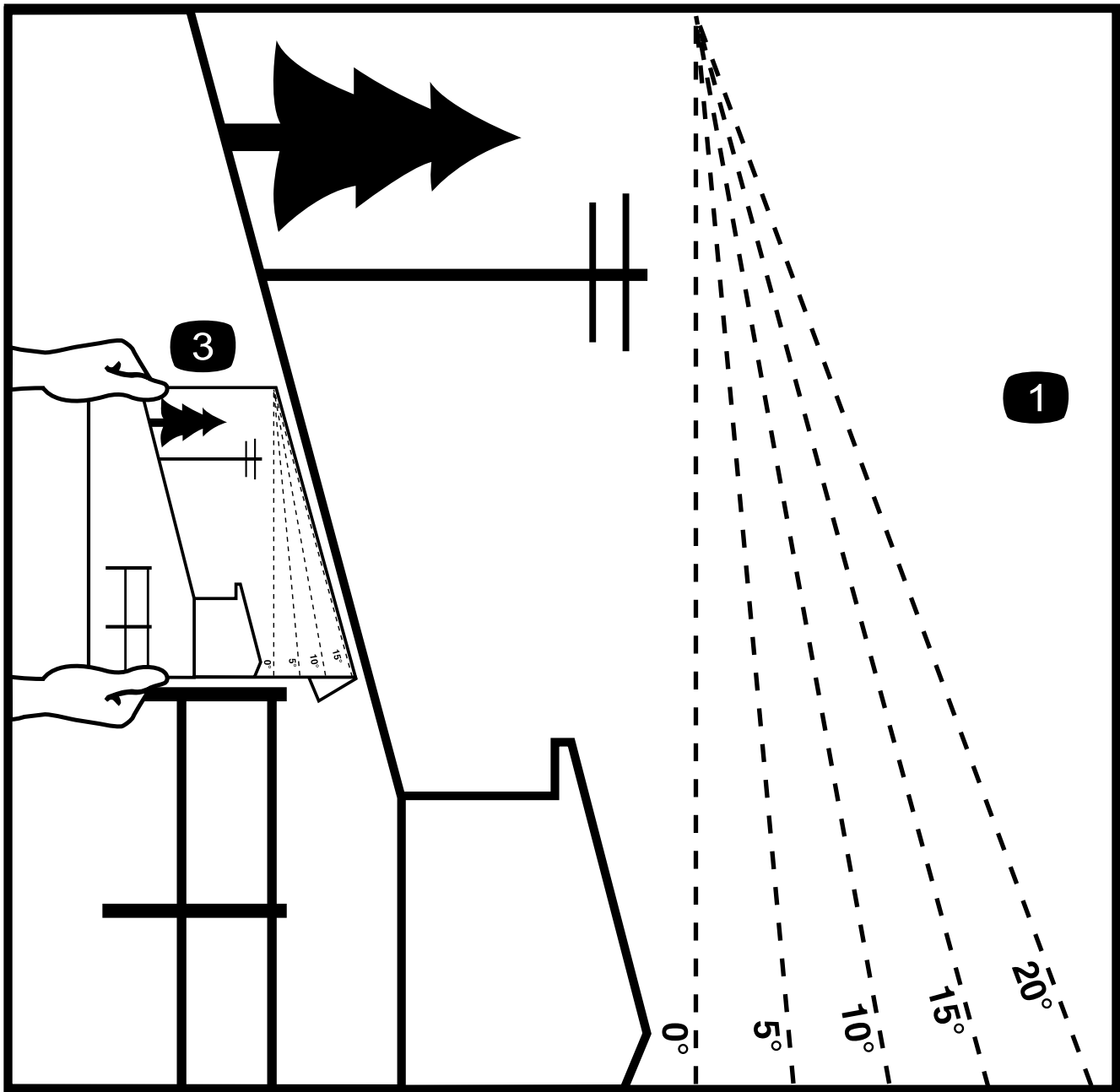
Measured values were determined according to the procedures outlined in EN 836.

Whole Body

- Measured vibration level = 0.93 m/s²
- Uncertainty Value (K) = 0.47 m/s²

Measured values were determined according to the procedures outlined in EN 836.

Slope Indicator



G011841

2

Figure 3

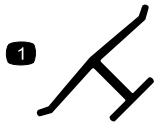
This page may be copied for personal use.

1. The maximum slope you can safely operate the machine on is **10 degrees** when mowing across the slope and **15 degrees** when mowing up or down the slope. Use the slope chart to determine the degree of slope of hills before operating. **Do not operate this machine on a slope greater than 15 degrees.** Fold along the appropriate line to match the recommended slope.
2. Align this edge with a vertical surface, a tree, building, fence pole, etc.
3. Example of how to compare slope with folded edge.

Safety and Instructional Decals

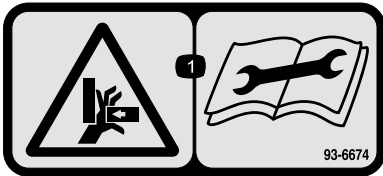


Safety decals and instructions are easily visible to the operator and are located near any area of potential danger. Replace any decal that is damaged or lost.



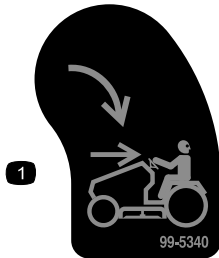
Manufacturer's Mark

1. Indicates the blade is identified as a part from the original machine manufacturer.



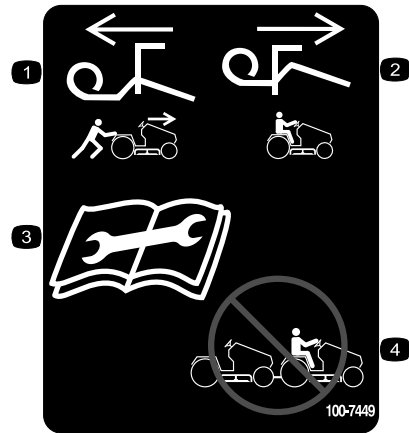
93-6674

1. Crushing hazard, hand—read the instructions before servicing or performing maintenance.



99-5340

1. KeyChoice—turn to enable reverse mowing.



100-7449

1. Pull the lever out to push the machine.
2. Push the lever in to ride on the machine.
3. Read the instructions before servicing or performing maintenance.
4. Do not tow the machine.



119-2730

1. Crushing hazard, bystanders—do not turn the key while children are present; keep children a safe distance from the machine.



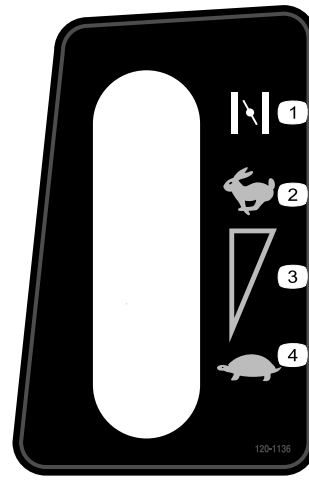
120-1120

1. Thrown object hazard—keep bystanders a safe distance from the machine.
2. Thrown object hazard, mower deck—keep deflector in place.
3. Cutting/dismemberment hazard of hand or foot, mower blade; entanglement hazard of hand, belt—stay away from moving parts, keep all guards and shields in place.



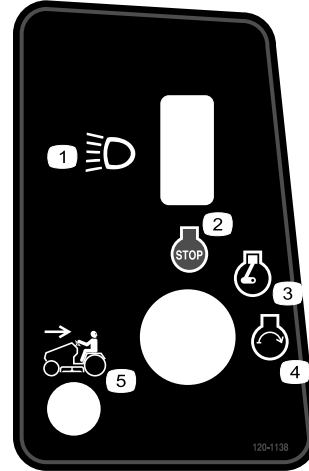
120-1121

1. Disengage
2. Engage
3. Power take-off (PTO)
4. Traction drive—to drive in reverse, press the bottom of the traction-control pedal rearward and down; to drive forward, press the top of the traction-control pedal forward and down.
5. Warning—read the *Operator's Manual*.
6. Warning—remove the ignition key and read the instructions before servicing or performing maintenance.
7. Tipping hazard—do not mow across slopes greater than 10 degrees, do not mow up and down slopes greater than 15 degrees.
8. Crushing/dismemberment of a bystander; thrown object hazard—keep bystanders a safe distance from the machine.



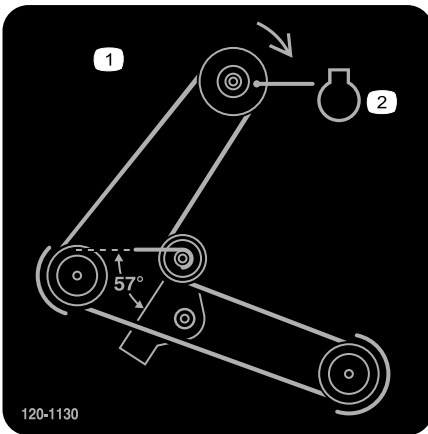
120-1136

- | | |
|----------|--------------------------------|
| 1. Choke | 3. Continuous variable setting |
| 2. Fast | 4. Slow |



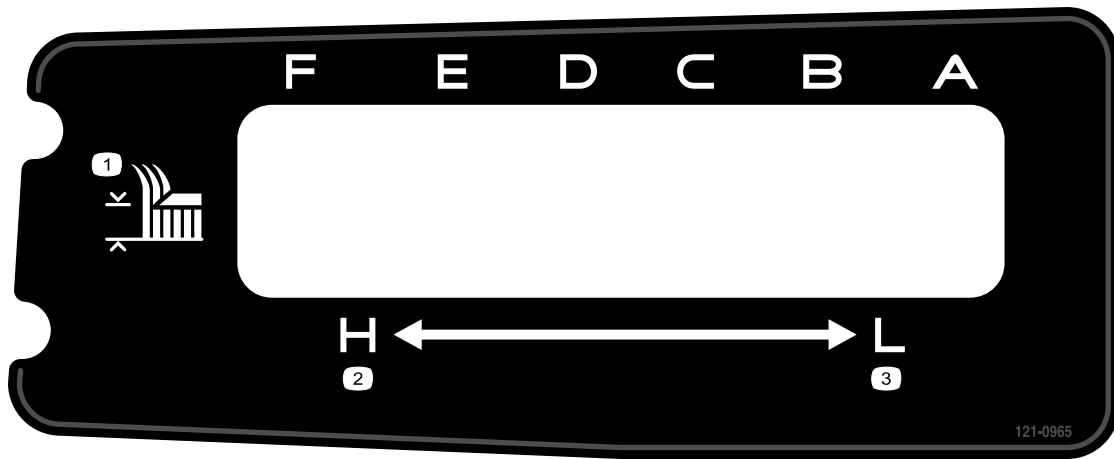
120-1138

- | | |
|----------------|------------------------------|
| 1. Headlights | 4. Engine—Start |
| 2. Engine—Stop | 5. Mowing in reverse enabled |
| 3. Engine—Run | |



120-1130

1. Belt routing and direction
2. Engine pulley



121-0965

- 1. Height-of-cut
- 2. High
- 3. Low



Battery Symbols

Some or all of these symbols are on your battery

- 1. Explosion hazard
- 2. No fire, open flame, or smoking.
- 3. Caustic liquid/chemical burn hazard
- 4. Wear eye protection
- 5. Read the *Operator's Manual*.
- 6. Keep bystanders a safe distance from the battery.
- 7. Wear eye protection; explosive gases can cause blindness and other injuries
- 8. Battery acid can cause blindness or severe burns.
- 9. Flush eyes immediately with water and get medical help fast.
- 10. Contains lead; do not discard.

Product Overview

Controls

Become familiar with the controls (Figure 4) before you start the engine and operate the machine.

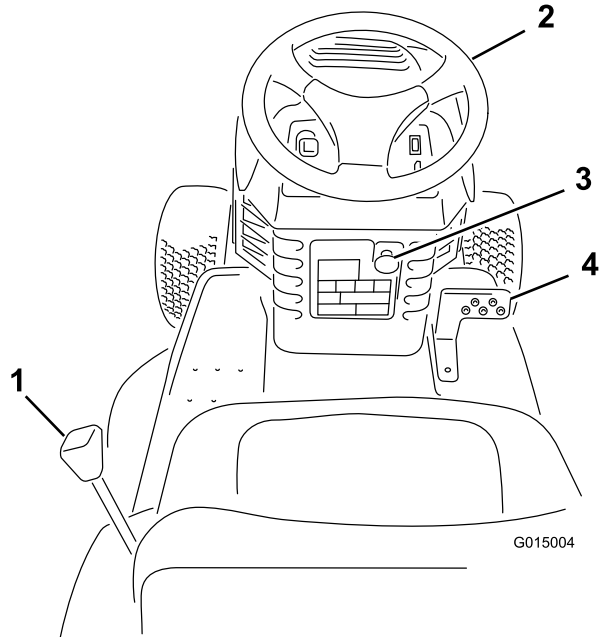


Figure 4

- 1. Height-of-cut lever
- 2. Steering wheel
- 3. Blade-control (PTO) knob
- 4. Traction-control pedal

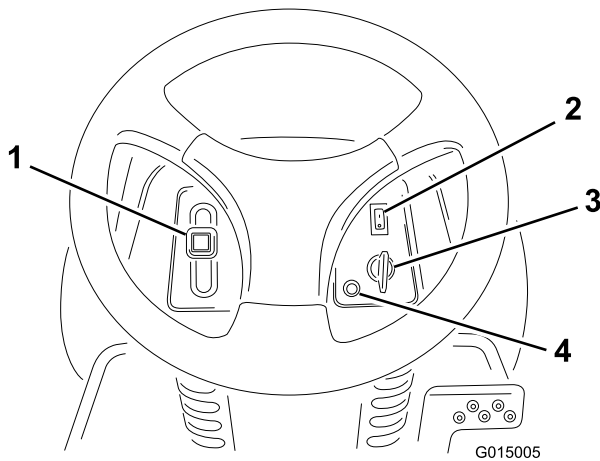


Figure 5

- 1. Throttle lever
- 2. Light switch—on/off
- 3. Ignition switch
- 4. Operating-in-reverse light

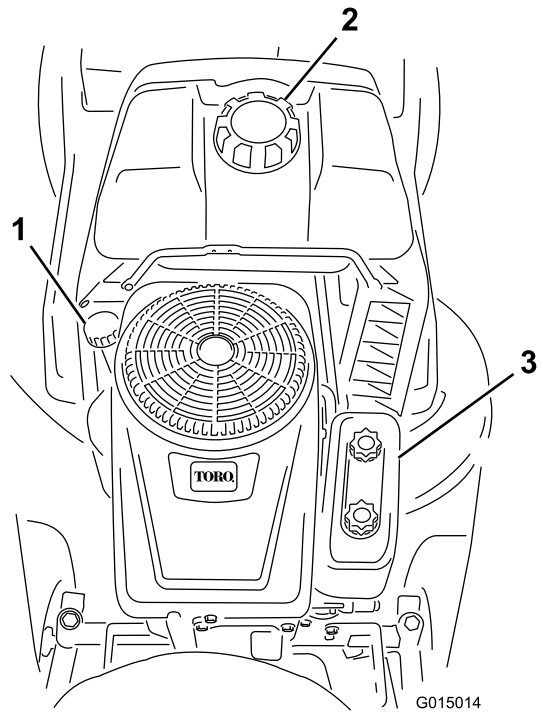


Figure 6

- 1. Oil dipstick/Fill tube
- 2. Fuel-tank cap
- 3. Air cleaner

Specifications

Model	Weight	Length	Width	Height
71254	193 kg (425 lb)	180 cm (71 inches)	114 cm (45 inches)	102 cm (40 inches)

Operation

Note: Determine the left and right sides of the machine from the normal operating position.

Gasoline and Oil

Recommended Gasoline

▲ DANGER

Gasoline is extremely flammable and explosive. A fire or explosion from gasoline can burn you and others.

- To prevent a static charge from igniting the gasoline, place the container and/or machine directly on the ground before filling, not in a vehicle or on an object.
- Fill the tank outdoors when the engine is cold. Wipe up spills.
- Do not handle gasoline when smoking or around an open flame or sparks.
- Store gasoline in an approved fuel container, out of the reach of children.
- For best results, use only clean, fresh, unleaded gasoline with an octane rating of 87 or higher.
- Oxygenated fuel with up to 10% ethanol or 15% MTBE by volume is acceptable.
- Do not use ethanol blends of gasoline, such as E15 or E85, with more than 10% ethanol by volume. Performance problems and/or engine damage may result, which may not be covered under warranty.
- Do not use gasoline containing methanol.
- Do not store fuel either in the fuel tank or in fuel containers over the winter unless fuel stabilizer has been added to the fuel.
- Do not add oil to gasoline.

Important: To reduce starting problems, add a fuel stabilizer to the fuel all season, mixing it with gasoline less than 30 days old.

Using Stabilizer/Conditioner

Use a fuel stabilizer/conditioner in the machine to keep the fuel fresh during storage of 90 days or less. If you are storing the machine for longer, drain the fuel tank.

Important: Do not use fuel additives containing methanol or ethanol.

Add the correct amount of fuel stabilizer/conditioner to the gasoline, and follow the directions of the manufacturer.

Note: A fuel stabilizer/conditioner is most effective when it is mixed with fresh gasoline. To minimize the

chance of varnish deposits in the fuel system, use a fuel stabilizer/conditioner at all times.

Filling the Fuel Tank

1. Stop the engine, remove the key, and wait for all moving parts to stop before leaving the operating position.
2. Clean around the fuel tank cap and remove the cap.
3. Add unleaded regular gasoline to the fuel tank until the level is 6 to 13 mm (1/4 to 1/2 inches) below the bottom of the filler neck. Do not fill the fuel tank completely full.

Note: This space in the tank allows gasoline to expand.

4. Install the fuel tank cap securely.
5. Wipe up any gasoline that spills.

Checking the Engine Oil Level

Service Interval: Before each use or daily

Before you start the engine and use the machine, check the oil level in the engine crankcase; refer to [Checking the Oil Level \(page 19\)](#).

Positioning the Seat

The seat can move forward and backward. Position the seat where you have the best control of the machine and are most comfortable.

1. Raise the seat and loosen the adjustment knobs ([Figure 7](#)).

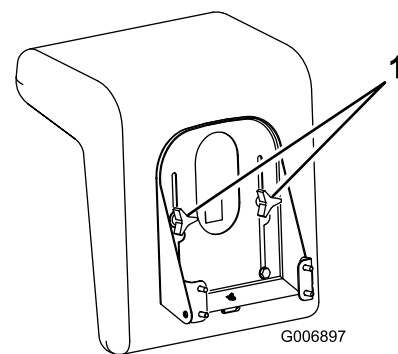


Figure 7

1. Adjustment knobs

2. Move the seat to the desired position and tighten the knobs.

Operating the Headlights

A dash-mounted On/Off switch ([Figure 4](#)) controls the headlights. The lights only shine while the engine is running and the switch is On.

Operating the Blade Control (PTO)

The blade control (PTO) engages and disengages power to the electric clutch.

Engaging the Power Take Off (PTO)

1. Remove your foot from the traction-control pedal to stop the machine.
2. Pull the blade control (PTO) knob to the On position (Figure 8).

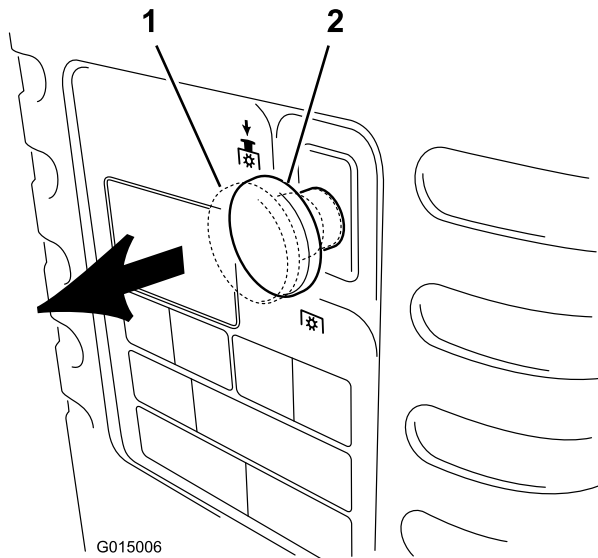


Figure 8

1. On—engaged
2. Off—disengaged

Disengaging the Blade Control (PTO)

1. Remove your foot from the traction-control pedal to stop the machine.
2. Push the blade control (PTO) to off (Figure 8).

Setting the Height-of-Cut

Use the height-of-cut lever to raise and lower the mower to the desired cutting height. You can set the height-of-cut to 1 of 6 positions from approximately 38 to 102 mm (1-1/2 to 4 inches).

1. Park the machine on a level surface.
2. Disengage the blade control (PTO).
3. Stop the engine, remove the key, and wait for all moving parts to stop before leaving the operating position.
4. Pull on the height-of-cut lever on the machine and move it to the desired position (Figure 9).

Note: All cutting heights are approximate.

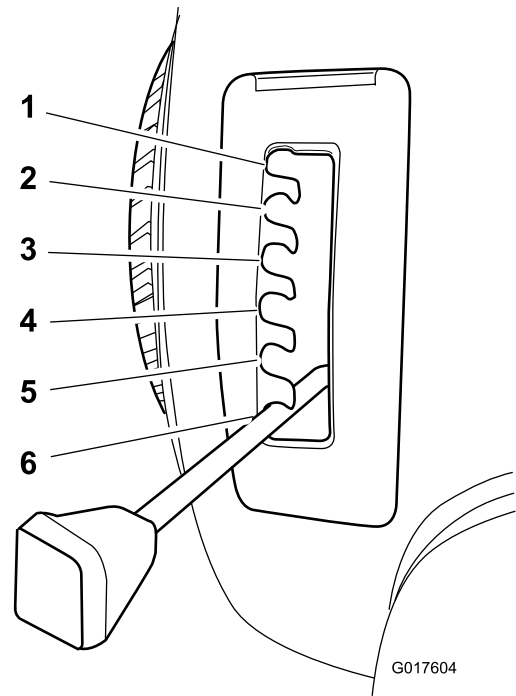


Figure 9

- | | |
|-------------------------|-------------------------|
| 1. 38 mm (1-1/2 inch) | 4. 76 mm (3 inches) |
| 2. 51 mm (2 inches) | 5. 89 mm (3-1/2 inches) |
| 3. 64 mm (2-1/2 inches) | 6. 102 mm (4 inches) |

Adjusting the Anti-scalp Wheels

The mower anti-scalp wheels guide the mower over uneven ground. Install them as follows, as appropriate for your height-of-cut requirements:

- If you use the height-of-cut setting A or B, install the gauge wheels in the highest hole in the wheel bracket.
- If you use the height-of-cut setting C through F, install the gauge wheels in the lowest hole in the wheel bracket.

Starting the Engine

1. Sit down on the seat.
2. Push the blade control (PTO) to off (Figure 8).
3. Shift the throttle lever to Choke (Figure 10).

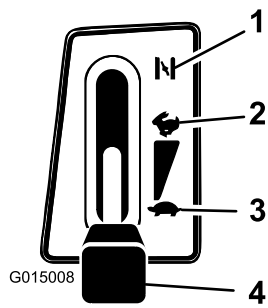


Figure 10

- | | |
|----------|-------------------|
| 1. Choke | 3. Slow |
| 2. Fast | 4. Throttle lever |

- Turn the ignition key clockwise and hold it in the Start position (Figure 11). When the engine starts, release the key.

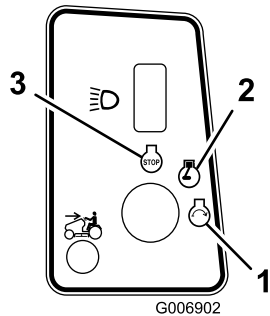


Figure 11

- | | |
|----------|--------|
| 1. Start | 3. Off |
| 2. On | |

Important: If the engine does not start after 30 seconds of continuous cranking, turn the ignition key to Off and let the starter motor cool; refer to [Troubleshooting \(page 34\)](#).

- After the engine starts, slowly shift the throttle lever to Fast (Figure 10). If the engine stalls or hesitates, shift the throttle lever back to Choke for a few seconds and then shift the throttle lever to Fast. Repeat this step as required.

Stopping the Engine

- Shift the throttle lever to Fast (Figure 10).
- Turn the ignition key to Off, wait for all moving parts to stop, and remove the key before leaving the operating position. (Figure 11).

Using the Safety Interlock System

Service Interval: Before each use or daily

⚠ CAUTION

If the safety interlock switches are disconnected or damaged, the machine could operate unexpectedly, causing personal injury.

- Do not tamper with the interlock switches.
- Check the operation of the interlock switches daily and replace any damaged switches before operating the machine.

Understanding the Safety Interlock System

The safety interlock system is designed to prevent the engine from starting unless:

- The transmission is in the Operate position.
- Your foot is off the traction-control pedal.
- The blade control (PTO) is in the Disengage position.

The safety interlock system is designed to stop the engine if you do the following:

- You rise from the seat when you press the traction-control pedal.
- You rise from the seat while the blade control (PTO) is in the Engage position.

The safety interlock system is designed to disengage the blade control (PTO) if you shift the transmission into Reverse while the blade control (PTO) is in the Engage position.

Setting the KeyChoice Switch to Operate in Reverse

An interlock feature on the machine prevents the power take-off (PTO) from operating when you back up the machine. If you shift the traction-control switch into Reverse with the blade control (PTO) engaged (i.e., with the mower blades or other attachment running), the PTO disengages.

Do not mow in reverse unless it is absolutely necessary.

If you need to use the blade control (PTO) while backing up, turn off the interlock feature using the KeyChoice switch located near the seat bracket (Figure 12).

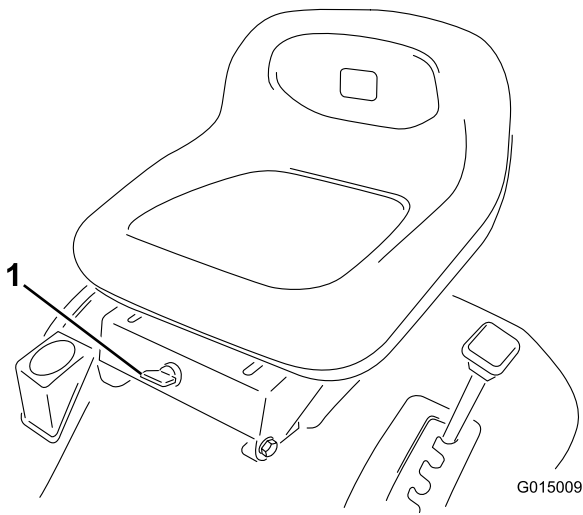


Figure 12

1. KeyChoice switch

⚠ DANGER

You could back over a child or bystander while the mower blades or other attachment is engaged and cause serious injury or death.

- Do not mow in reverse unless it is absolutely necessary.
- Do not insert the KeyChoice key unless it is absolutely necessary.
- Always look backward and down before backing up.
- Use the KeyChoice switch only if you are certain no children or other bystanders will enter the mowing area.
- Be very observant after deactivating the interlock because the sound of the engine may prevent you from noticing that a child or bystander has entered the work area.
- Always remove both the ignition and KeyChoice keys and put them in a safe place out of the reach of children or unauthorized users when leaving the machine unattended.

1. Engage the blade control (PTO).
2. Insert the KeyChoice key into the switch (Figure 12).
3. Turn the KeyChoice key.

Note: A red light on the front console (Figure 5) turns on, indicating that the interlock is disabled.

4. Shift the traction-control switch into Reverse and complete your task.
5. Disengage the blade control (PTO) to activate the interlock.

6. Remove the KeyChoice key and put it in a safe place out of the reach of children.

Testing the Safety Interlock System

⚠ CAUTION

If safety interlock switches are disconnected or damaged, the machine could operate unexpectedly, causing personal injury.

- Do not tamper with the interlock switches.
- Check the operation of the interlock switches daily and replace any damaged switches before operating the machine.
- Replace switches every 2 years regardless of whether they are operating properly or not.

Test the safety system before you use the machine each time. If the safety interlock system does not operate as described below, have an Authorized Service Dealer repair the safety interlock system immediately. While sitting in the seat, perform the following checks:

1. Shift the blade control (PTO) to Engage and turn the ignition key to Start: The engine should not crank.
2. Shift the blade control (PTO) to Disengage, remove your foot from the traction-control pedal, and start the engine. While the engine is running, shift the blade control (PTO) switch to Engage and move the traction-control pedal to Reverse: The blade control (PTO) should disengage.
3. Shift the blade control (PTO) to Disengage and remove your foot from the traction-control pedal. Start the engine, shift the blade control (PTO) switch to Engage, and turn the KeyChoice key and release it: The operating-in-reverse warning light should illuminate.
4. Shift the blade control (PTO) to Disengage: The operating-in-reverse warning light should turn off.

Pushing the Machine Manually

Important: Always push the machine manually. Never tow the machine because you may damage the transaxle.

To Push the Machine

1. Disengage the blade control (PTO).
2. Stop the engine, remove the key, and wait for all moving parts to stop before leaving the operating position.
3. Pull the drive control out to the Push position.

Note: This disengages the drive system and allows the wheels to turn freely (Figure 13).

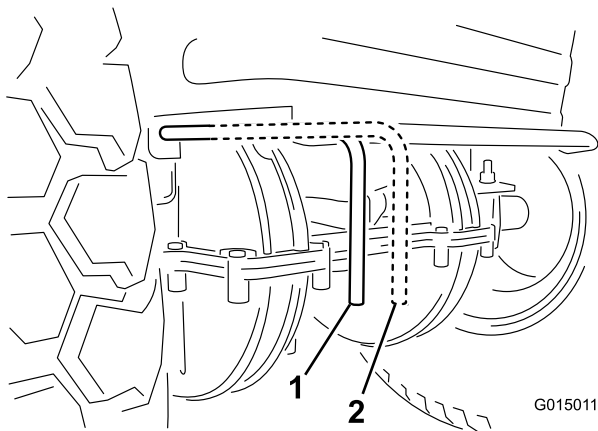


Figure 13

1. Operate position
2. Push position

To Operate the Machine

Push the drive control into the Operate position to engage the drive system (Figure 13).

Note: The machine will not start unless the drive control is in the Operate position.

Driving Forward or Backward

The throttle control regulates the engine speed as measured in RPM (revolutions per minute). Shift the throttle control lever into the Fast position for best performance.

To go forward or backward:

Place your foot on the traction-control pedal and slowly press on the top of the pedal to move forward or on the bottom of the pedal to move backward (Figure 14).

Note: The farther you move the traction-control pedal in either direction, the faster the machine will move in that direction.

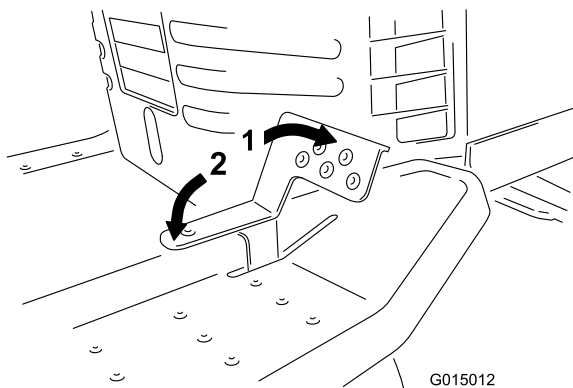


Figure 14

1. Forward
2. Backward

Note: To slow down, release the pressure on the traction-control pedal.

Note: This machine features an automatic brake system that engages whenever you take your foot off the traction-control pedal.

Note: To reverse the machine with the blade control (PTO) engaged, deactivate the operating-in-reverse interlock using the KeyChoice switch located in front of and below the seat.

Stopping the Machine

1. Release the traction-control pedal.
2. Disengage the blade control (PTO).
3. Turn the ignition key to Off to stop the engine.
4. Remove the ignition key from the switch.

⚠ CAUTION

Children or bystanders may be injured if they move or attempt to operate the machine while it is unattended.

Always remove the ignition and KeyChoice keys when leaving the machine unattended, even if just for a few minutes.

Side Discharging the Grass

⚠ DANGER

Without the grass deflector, discharge cover, or complete grass catcher assembly mounted in place, you and others are exposed to blade contact and thrown debris. Contact with rotating mower blades and thrown debris will cause injury or death.

- Never remove the grass deflector from the mower because the grass deflector routes material down toward the turf. If the grass deflector is ever damaged, replace it immediately.
- Never put your hands or feet under the mower.
- Never try to clear discharge area or mower blades unless you disengage the blade control (PTO) and rotate the ignition key to Off. Also remove the key and disconnect the wire from the spark plug.

The mower has a hinged grass deflector that disperses clippings to the side and down toward the turf.

Operating Tips

- For the best performance, operate the engine at the maximum speed. The mower requires air to thoroughly cut grass clippings, so do not set the height-of-cut too low or completely surround the mower in uncut grass. Always leave one side of the mower free from uncut grass to allow the air to be drawn into the mower.
- Cut the grass slightly longer than normal to ensure that the cutting height of the mower does not scalp any uneven ground. When cutting grass longer than 15 cm (6 inch) tall, cut the lawn twice to ensure an acceptable appearance.
- It is best to cut only about 1/3 of the grass blade. Do not cut more than that unless the grass is sparse or it is late fall when grass grows more slowly.
- Alternate the mowing direction to keep the grass standing straight. This also helps disperse clippings and enhances decomposition and fertilization.
- Grass grows at different rates at different times of the season. To maintain the same cutting height, which is a good practice, mow more often in early spring. As the grass growth rate slows in mid summer, mow less frequently.
- To improve the quality of cut, use a slower ground speed. For best operation on average lawns, operate the engine at full throttle while controlling the ground speed. You should operate the machine between 3.2 to 5.6 km/h (2 to 3.5 mph) while mowing.
- If the grass is longer than normal, or if it contains a high degree of moisture, raise the cutting height higher than usual, cut the grass at that setting, and then cut the grass again at the lower, normal setting.
- If you must stop the machine while mowing, you may leave a clump of grass clippings on your lawn. To avoid this, do the following:
 - Engage the blades and move to a previously-cut area.
 - Disperse the clippings evenly by raising the mower 1 or 2 height-of-cut settings while driving forward with the blades engaged.
- Use the washout port to clean clippings and dirt from the underside of the mower after each use. If grass and dirt build up inside the mower, the cutting quality will eventually become unsatisfactory.
- Maintain a sharp blade throughout the season. A sharp blade cuts grass cleanly without tearing or shredding the grass blades. Tearing and shredding the grass turns it brown at the edges, which slows its growth and increases the chance of disease. Every 30 days, check the blade for sharpness and file down any nicks.

Maintenance

Note: Determine the left and right sides of the machine from the normal operating position.

Recommended Maintenance Schedule(s)

Maintenance Service Interval	Maintenance Procedure
After the first 5 hours	<ul style="list-style-type: none">• Change the engine oil.
Before each use or daily	<ul style="list-style-type: none">• Check the engine oil level.• Check the safety system.• Clean and check the air-cleaner foam element.• Check the battery electrolyte.• Service the blades.• Wash the underside of the mower.
Every 25 hours	<ul style="list-style-type: none">• Grease and lubricate the machine (more often in dusty or dirty conditions).• Check the tire pressure.
Every 50 hours	<ul style="list-style-type: none">• Replace the air-cleaner paper element.• Check the spark plug.
Every 100 hours	<ul style="list-style-type: none">• Change the engine oil.• Change the oil filter.• Replace the spark plug.• Replace the fuel filter.• Clean the cooling system.
Before storage	<ul style="list-style-type: none">• Drain the fuel tank.• Perform all the maintenance procedures listed above.• Paint any chipped surfaces.• Check the tire pressure.• Check the safety system.• Check the brakes.• Check the spark plug.• Check the battery electrolyte.• Charge the battery and disconnect the cables.• Check the belt(s) for wear and cracks.

Important: Refer to your engine operator's manual for additional maintenance procedures.

⚠ CAUTION

If you leave the key in the ignition switch, someone could accidentally start the engine and seriously injure you or other bystanders.

Remove the key from the ignition and disconnect the wire from the spark plug before you do any maintenance. Set the wire aside so that it does not accidentally contact the spark plug (Figure 15).

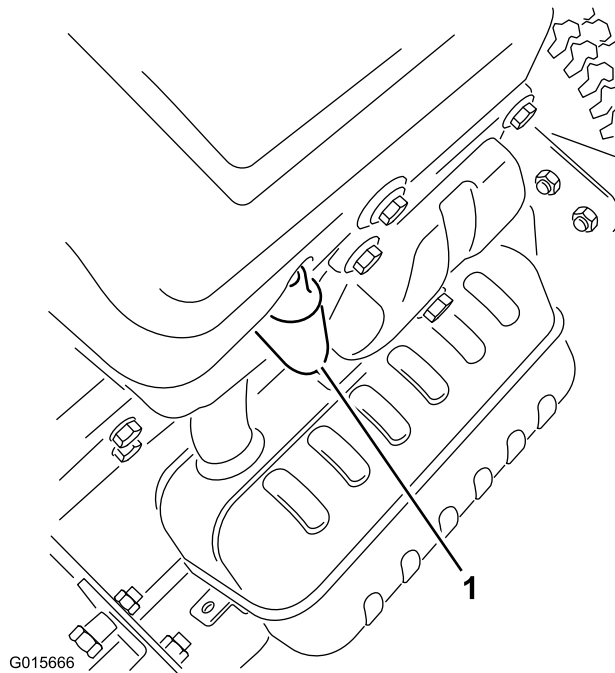


Figure 15

1. Spark-plug wire

Lubrication

Greasing and Lubricating the Machine

Service Interval: Every 25 hours—Grease and lubricate the machine (more often in dusty or dirty conditions).

How to Grease the Machine

1. Disengage the blade control (PTO).
2. Stop the engine, remove the key, and wait for all moving parts to stop before leaving the operating position.
3. Clean the grease fittings with a rag.

Note: Ensure that you scrape any paint off the front of the fittings.

4. Connect a grease gun to each fitting and pump grease into it.
5. Wipe up any excess grease.

Where to Add Grease

Lubricate the front wheels, steering spindles, and front axle pins until the grease begins to ooze out of the bearings (Figure 16).

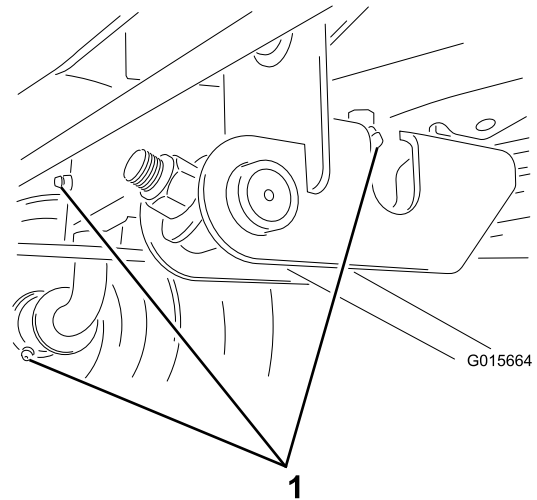


Figure 16

1. Grease here

Engine Maintenance

Servicing the Engine Oil

Toro Premium Engine Oil is available from your Authorized Toro Dealer.

Oil Type: Detergent oil (API service SF, SG, SH, SJ, or higher)

Crankcase Capacity: 1.2 L (40 oz or 1-1/4 qt) when you do not change the filter; 1.4 L (48 oz or 1-1/2 qt) when you change the filter.

Viscosity: Refer to the table below.

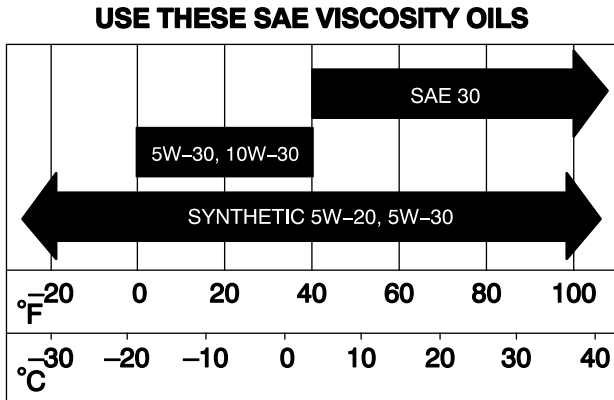


Figure 17

Checking the Oil Level

1. Park the machine on a level surface.
2. Disengage the blade control (PTO).
3. Stop the engine, wait for all moving parts to stop, and remove the key before leaving the operating position.
4. Open the hood.
5. Clean around the oil dipstick (Figure 18) so that dirt cannot fall into the fill hole and damage the engine.

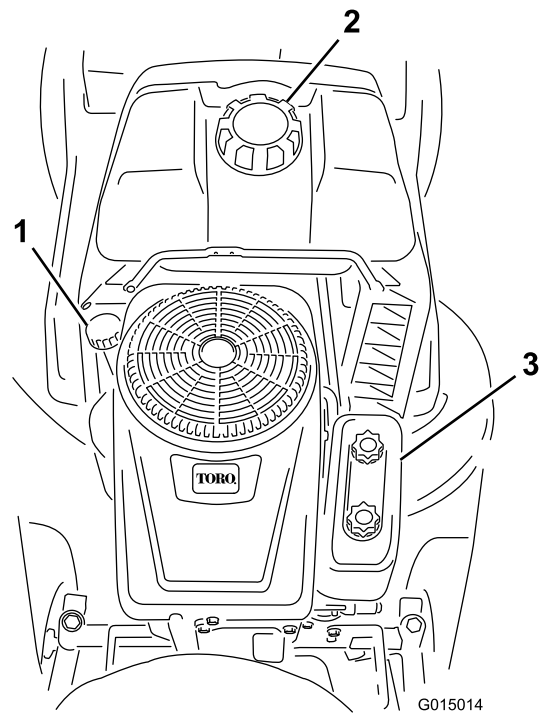


Figure 18

1. Oil dipstick/fill hole
2. Fuel-tank cap
3. Air cleaner

6. Unscrew the oil dipstick.
7. Wipe the oil dipstick clean with a clean cloth.
8. Screw the oil dipstick fully onto the fill hole.
9. Unscrew the dipstick again and look at the end.
 - If the oil is too low, slowly pour a small amount of oil into the oil-fill hole, wait 3 minutes, and then repeat steps 7 through 9 until the oil level is correct.
 - If the oil is too high, drain the excess oil until the oil level is correct. To drain the excess oil, refer to [Changing the Oil \(page 19\)](#).

Important: If the oil level is too low or too high and you run the engine, you may damage the engine.

Changing the Oil

Service Interval: After the first 5 hours

Every 100 hours

1. Start the engine and let it run for 5 minutes to warm the oil.

Note: Warm oil drains more easily and carries away more contaminants.
2. Park the machine so that the right side is slightly lower than the left side, to ensure that the oil drains completely.
3. Disengage the blade control (PTO).

4. Stop the engine, wait for all moving parts to stop, and remove the key before leaving the operating position.
5. Open the hood.
6. Place a drain pan below the oil-drain plug and open the drain plug by turning the end nut counterclockwise (Figure 19).

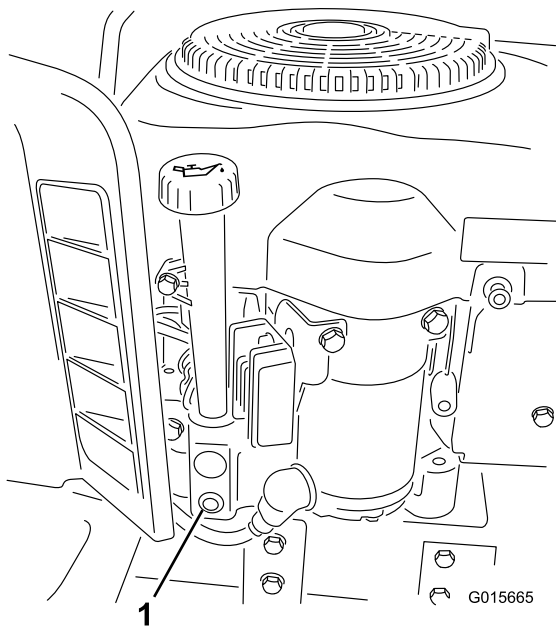


Figure 19

1. Oil-drain plug

7. When the oil has drained completely, tighten the end nut on the oil-drain plug by turning it clockwise until it is snug.

Note: Dispose of the used oil at a certified recycling center.

8. Change the oil filter; refer to [Changing the Oil Filter](#) (page 20).
9. Clean around the oil dipstick (Figure 18) so that dirt cannot fall into the fill hole and damage the engine.

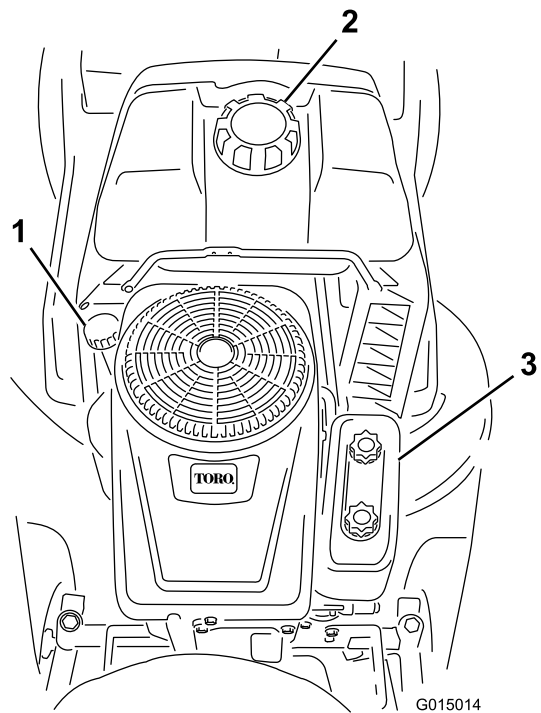


Figure 20

1. Oil dipstick/fill hole
2. Fuel-tank cap
3. Air cleaner

10. Unscrew the oil dipstick and slowly pour approximately 80% of the specified amount of oil into the fill hole (Figure 19).
11. Wipe the dipstick clean with a clean cloth.
12. Screw the oil dipstick fully onto the fill hole.
13. Unscrew the dipstick again and look at the end.
 - If the oil level is too low, slowly pour a small amount of oil into the oil-fill hole, wait 3 minutes, and then repeat steps 11 through 13 until the oil level is correct.
 - If the oil level is too high, drain the excess oil until the oil level is correct.
14. Close the hood.

Important: If the oil level is too low or too high and you run the engine, you may damage the engine.

Changing the Oil Filter

Service Interval: Every 100 hours

Note: Change the oil filter more frequently when the operating conditions are extremely dusty or sandy.

- 1.
2. Drain the oil from the engine; refer to [Changing the Oil](#) (page 19).
3. Remove the old oil filter and wipe the gasket surface of the filter adapter (Figure 21).

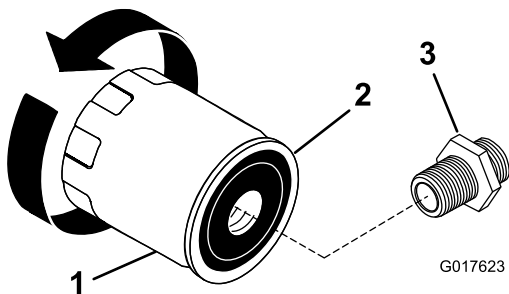


Figure 21

1. Oil filter
2. Gasket
3. Filter adapter

4. Apply a thin coat of new oil to the rubber gasket on the new oil filter (Figure 21).
5. Install the new oil filter to the filter adapter.
6. Turn the oil filter clockwise until the rubber gasket contacts the filter adapter, then tighten the oil filter an additional 1/2 to 3/4 turn (Figure 21).
7. Unscrew the oil dipstick and slowly pour about 80% of the specified amount of oil into the fill hole (Figure 18).
8. Wipe the dipstick clean with a clean cloth.
9. Screw the oil dipstick fully onto the fill hole.
10. Unscrew the dipstick again and look at the end.
 - If the oil is too low, slowly pour a small amount of oil into the oil-fill hole, wait 3 minutes, and then repeat steps 8 through 10 until the oil level is correct.
 - If the oil is too high, drain the excess oil until the oil level is correct. To drain the excess oil, refer to [Changing the Oil](#) (page 19).

Important: If the oil level is too low or too high and you run the engine, you may damage the engine.

11. Close the hood.

Servicing the Air Cleaner

Service Interval: Before each use or daily—Clean and check the air-cleaner foam element.

Every 50 hours—Replace the air-cleaner paper element.

Note: Service the air cleaner more frequently if the operating conditions are extremely dusty or sandy.

Removing the Foam and Paper Elements

1. Disengage the blade control (PTO).
2. Stop the engine, wait for all moving parts to stop, and remove the key before leaving the operating position.
3. Open the hood.

4. Clean around the air cleaner to prevent dirt from getting into the engine and causing damage.
5. Remove the air-cleaner cover by unscrewing the 2 knobs (Figure 22).

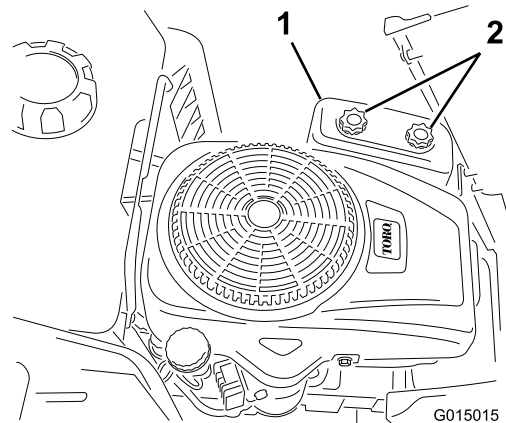


Figure 22

1. Air-cleaner cover
2. Knobs

6. Carefully remove the foam and paper filter elements from the air-cleaner housing (Figure 23).

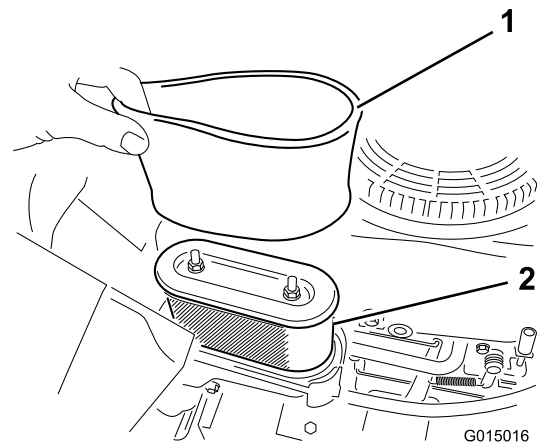


Figure 23

1. Foam element
2. Paper element

7. Separate the foam and paper elements.

Cleaning the Foam and Paper Elements

Foam Element:

1. Wash the foam element in liquid soap and warm water. When the element is clean, rinse it thoroughly.
2. Dry the element by squeezing it in a clean cloth. **Do not oil the element.**

Important: Replace the foam element if it is torn or worn.

3. Install the foam element on a clean paper element.

Paper Element:

1. Tap the paper element on a solid flat surface and blow it out from the inside with compressed air to remove dust and dirt.
2. Inspect the element for tears, an oily film, and damage to the rubber seal.

Important: Do not clean the paper element with pressurized air or liquids, such as solvents, gasoline, or kerosene. Replace the paper element if it is damaged or cannot be cleaned thoroughly.

Installing the Foam and Paper Elements

Important: To prevent engine damage, always operate the engine with the complete foam and paper air-cleaner assembly installed.

1. Block the inlet duct with a rag to prevent dust and debris from entering the engine.
2. Clean the inside of the air-cleaner housing of all dirt, dust, and debris.
3. Remove the rag from the inlet duct.
4. Place the foam element and paper element into the blower housing.
5. Align the tabs on the air-cleaner cover with the slots of the blower housing (Figure 23).
6. Hook the handle onto the cover and press down on the handle to lock the cover in place.
7. Close the hood.

Servicing the Spark Plug

Service Interval: Every 50 hours—Check the spark plug.

Every 100 hours

Ensure that the air gap between the center and side electrodes is correct before installing the spark plug. Use a spark-plug wrench for removing and installing the spark plug and a gapping tool or feeler gauge to check and adjust the air gap. Install a new spark plug if necessary.

Type: Champion QC12YC or equivalent

Air Gap: 0.76 mm (0.030 inch)

Removing the Spark Plug

1. Disengage the blade control (PTO).
2. Stop the engine, wait for all moving parts to stop, and remove the key before leaving the operating position.
3. Open the hood.
4. Disconnect the wire from the spark plug (Figure 24).

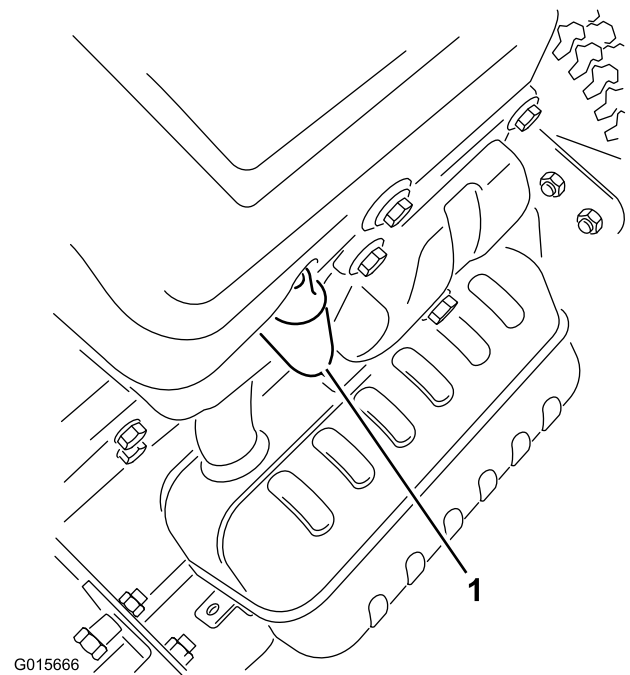


Figure 24

1. Spark-plug wire

5. Clean around the spark plug to prevent dirt from falling into the engine and potentially causing damage.
6. Remove the spark plug and metal washer.

Checking the Spark Plug

1. Inspect the spark plug (Figure 25).

Note: If you see light brown or gray on the insulator, the engine is operating properly. A black coating on the insulator usually means that the air cleaner is dirty.

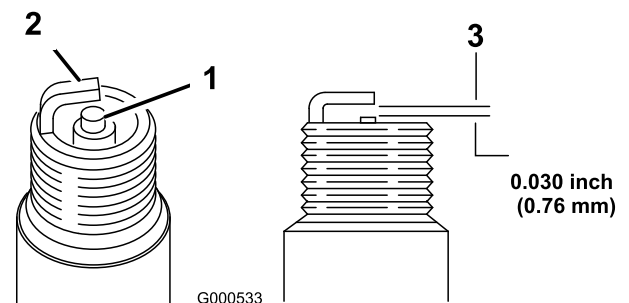


Figure 25

1. Center electrode insulator
2. Side electrode
3. Air gap (not to scale)

Important: Do not clean the spark plug. Always replace the spark plug when it has a black coating, worn electrodes, an oily film, or cracks.

2. Check the gap between the center and side electrodes (Figure 25). Bend the side electrode if the gap is not correct.

Installing the Spark Plug

1. Install the spark plug and metal washer.

Note: Ensure that the air gap is set correctly.

2. Tighten the spark plug to 20 N-m (15 ft-lb).
3. Connect the wire to the spark plug.
4. Close the hood.

Fuel System Maintenance

Draining the Fuel Tank

Service Interval: Before storage

⚠ DANGER

In certain conditions, gasoline is extremely flammable and highly explosive. A fire or explosion from gasoline can burn you and others and can damage property.

- Perform any fuel related maintenance when the engine is cold. Do this outdoors in an open area. Wipe up any gasoline that spills.
 - Never smoke when draining gasoline, and stay away from an open flame or where a spark may ignite the gasoline fumes.
1. Disengage the blade control (PTO).
 2. Stop the engine, wait for all moving parts to stop, and remove the key before leaving the operating position.
 3. Open the hood and locate the carburetor under the air cleaner (Figure 26).

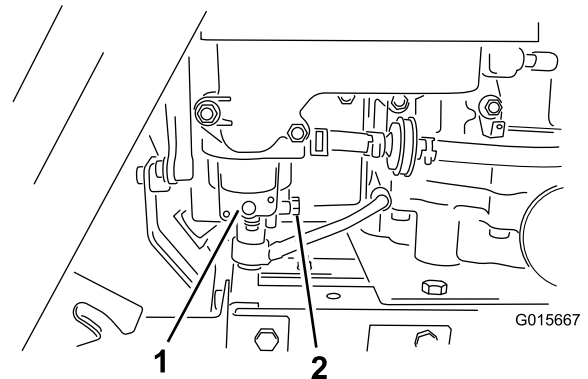


Figure 26

1. Carburetor
2. Carburetor float chamber plug

4. Unscrew the carburetor float chamber plug and allow the gasoline to drain into a fuel container or a drain pan.

Note: The carburetor float chamber plug faces toward the back of the machine (Figure 26).

5. After draining the fuel, tighten the carburetor float chamber plug securely.

Replacing the Fuel Filter

Service Interval: Every 100 hours—Replace the fuel filter.

This procedure should be performed only by an Authorized Toro Service Dealer.

Electrical System Maintenance

Servicing the Battery

Always keep the battery clean and fully charged. Use a paper towel to clean the battery and battery box. If the battery terminals are corroded, clean them with a solution of 4 parts water and 1 part baking soda. Apply a light coating of grease to the battery terminals to prevent corrosion.

Battery voltage and amperage: 12 volts, 195 cold-cranking amps

Removing the Battery

⚠ WARNING

Battery terminals or metal tools could short against metal machine components, causing sparks. Sparks can cause the battery gasses to explode, resulting in personal injury.

- When removing or installing the battery, do not allow the battery terminals to touch any metal parts of the machine.
- Do not allow metal tools to short between the battery terminals and metal parts of the machine.

1. Disengage the blade control (PTO).
2. Stop the engine, remove the key, and wait for all moving parts to stop before leaving the operating position.
3. Tip the seat forward to see the battery.
4. Disconnect the negative (black) ground cable from the battery post (Figure 27).

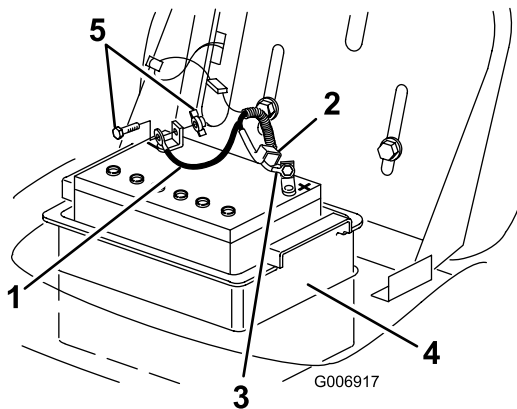


Figure 27

1. Negative cable (black)
2. Rubber cover
3. Positive cable (red)
4. Battery box
5. Bolt and wing nut

⚠ WARNING

Incorrectly routing the battery cable could damage the machine and cables, causing sparks. Sparks can cause the battery gasses to explode, resulting in personal injury.

- Always *disconnect* the negative (black) battery cable before disconnecting the positive (red) cable.
- Always *connect* the positive (red) battery cable before connecting the negative (black) cable.

5. Slide the rubber cover up the positive (red) cable. Disconnect the positive (red) cable from the battery post (Figure 27).
6. Remove the battery box and battery from the chassis (Figure 27).

Installing the Battery

1. Put the battery into the battery box and install it into the chassis (Figure 27).
2. Using the bolt and wing nut, connect the positive (red) cable to the positive (+) battery post (Figure 27).
3. Slide the rubber cover over the battery post.
4. Using the bolt and the wing nut, connect the negative (black) cable to the negative (-) battery post (Figure 27).

Checking the Electrolyte Level

Service Interval: Before each use or daily

1. Tip the seat forward to see the battery.
2. Look at the side of the battery. The electrolyte should be up to the Upper line (Figure 28).

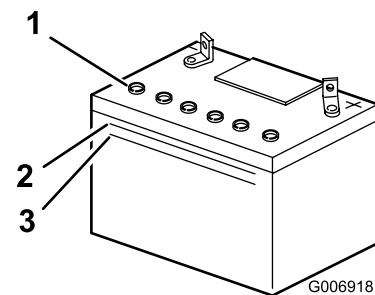


Figure 28

1. Vent caps
2. Upper line
3. Lower line

Note: Do not allow the electrolyte to fall below the Lower line (Figure 28).

3. If the electrolyte is low, add the required amount of distilled water; refer to [Adding Water to the Battery](#) (page 25).

⚠ DANGER

Battery electrolyte contains sulfuric acid, a deadly poison that can severely burn you and others.

- Do not drink electrolyte and avoid contact with skin, eyes, or clothing. Wear safety glasses to shield your eyes and rubber gloves to protect your hands.
- Fill the battery where clean water is always available for flushing the skin.

Adding Water to the Battery

The best time to add distilled water to the battery is just before you operate the machine. This lets the water mix thoroughly with the electrolyte solution.

1. Remove the battery from the machine; refer to [Removing the Battery](#) (page 24).
2. Clean the top of the battery with a paper towel.

Important: Never fill the battery with distilled water while the battery is installed in the machine. You could spill electrolyte on other parts and cause corrosion.

3. Remove the vent caps from the battery ([Figure 28](#)).
4. Slowly pour distilled water into each battery cell until the electrolyte level is up to the Upper line ([Figure 28](#)) on the battery case.

Important: Do not overfill the battery because electrolyte (sulfuric acid) can cause severe corrosion and damage to the chassis.

5. Wait 5 to 10 minutes after filling the battery cells. Add distilled water, if necessary, until the electrolyte level is up to the Upper line ([Figure 28](#)) on the battery case.
6. Install the battery vent caps.

Charging the Battery

⚠ WARNING

Charging the battery produces gasses that can explode.

Never smoke near the battery. Keep sparks and flames away from battery.

Important: Always keep the battery fully charged (1.260 specific gravity), especially when the temperature is below 0 °C (32 °F) to prevent battery damage.

1. Remove the battery from the chassis; refer to [Removing the Battery](#) (page 24).
2. Check the electrolyte level; refer to [Checking the Electrolyte Level](#) (page 24).

3. Make sure that the vent caps are installed in the battery, and charge it for 1 hour at 25 to 30 amps or 6 hours at 4 to 6 amps. **Do not overcharge the battery.**
4. When the battery is fully charged, unplug the charger from the electrical outlet.
5. Disconnect the charger leads from the battery posts ([Figure 29](#)).

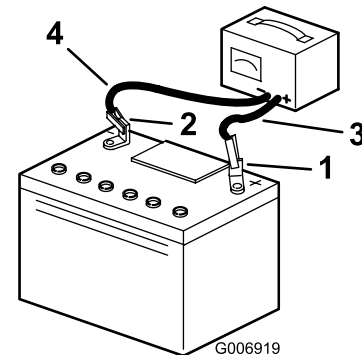


Figure 29

1. Positive battery post
2. Negative battery post
3. Red (+) charger lead
4. Black (-) charger lead

6. Install the battery in the machine and connect the battery cables; refer to [Installing the Battery](#) (page 24).

Note: Do not run the machine with the battery disconnected; electrical damage may occur.

Servicing the Fuse

The electrical system is protected by 2 blade-type fuses: a 25-amp fuse and a 30-amp fuse.

1. Lift up the hood and locate the fuse below the fuel tank ([Figure 30](#)).

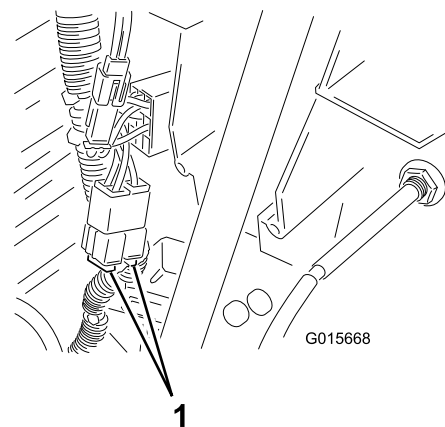


Figure 30

1. Fuses
2. Pull up on the fuse to remove it from the socket.
3. Insert the fuse into socket and push down on the fuse to install it.

Cooling System Maintenance

Cleaning the Cooling System

Service Interval: Every 100 hours—Clean the cooling system.

Use a dry brush to clean grass and accumulated debris from the engine.

Important: To prevent contaminating the fuel system, do not use water to clean the engine.

Blade Maintenance

Servicing the Blades

Service Interval: Before each use or daily

To ensure a superior quality of cut, keep the blades sharp. For convenient sharpening and replacement, keep extra blades.

⚠ DANGER

A worn or damaged blade can break and a piece of the blade could be thrown into the operator's or bystander's area, resulting in serious personal injury or death.

- Inspect the blade periodically for wear or damage.
- Replace a worn or damaged blade.

Inspecting the Blades

1. Remove the mower; refer to [Removing the Mower \(page 27\)](#).
2. Inspect the cutting edges ([Figure 31](#)). If the edges are not sharp or have nicks, remove the blades and sharpen them; refer to [Sharpening the Blades \(page 27\)](#).

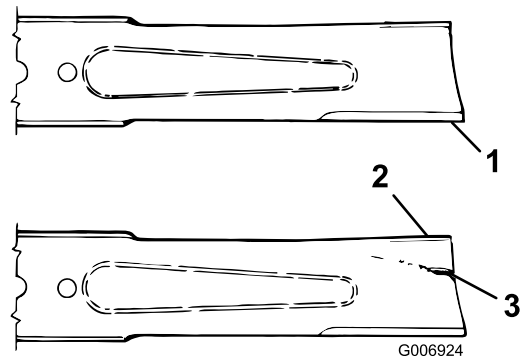


Figure 31

1. Cutting edge
2. Curved area
3. Wear/slot forming

3. Inspect the blades, especially the curved area ([Figure 31](#)). If you notice any damage, wear, or a slot forming in this area ([Figure 31](#)), immediately install a new blade.

Removing the Blades

1. Remove the mower; refer to [Removing the Mower \(page 27\)](#).
2. Carefully tip the mower over.
3. Remove the bolt (5/8 inch wrench), curved washer, retainer, and blade ([Figure 32](#)). Use a block of wood as a wedge between the blade and the mower to lock the blade when you are removing the bolt.

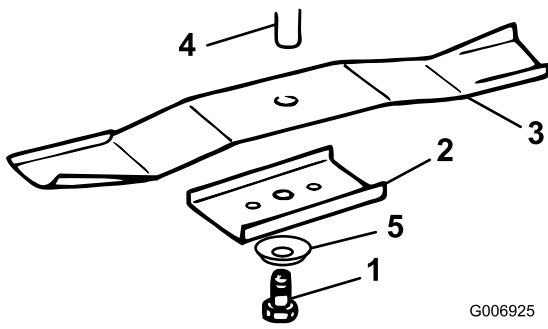


Figure 32

G006925

- | | |
|-------------|------------------|
| 1. Bolt | 4. Spindle |
| 2. Retainer | 5. Curved washer |
| 3. Blade | |

4. Inspect all parts; replace any parts that are damaged.

Sharpening the Blades

1. Use a file to sharpen the cutting edge at both ends of each blade (Figure 33). Maintain the original angle. The blade retains its balance if you remove the same amount of material from both cutting edges.

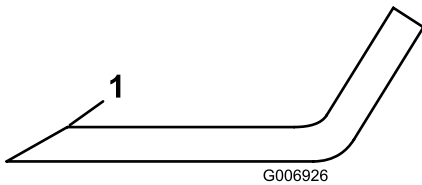


Figure 33

G006926

1. Sharpen at original angle
2. Check the balance of each blade by putting it on a blade balancer (Figure 34). If the blade stays in a horizontal position, the blade is balanced and can be used. If the blade is not balanced, file some metal off of the back side of the blade. Repeat this step until the blade is balanced.

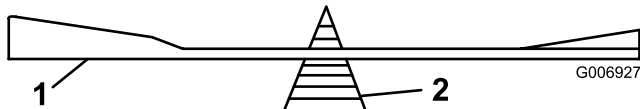


Figure 34

G006927

- | | |
|----------|-------------|
| 1. Blade | 2. Balancer |
|----------|-------------|

Installing the Blades

1. Install each blade, blade retainer, curved washer (cupped side toward blade), and the blade bolt (Figure 32).

Important: The curved part of the blade must be pointing toward the inside of the mower to ensure proper cutting.
2. Tighten the blade bolt to 45 to 60 ft-lb (61 to 81 N-m).

Removing the Mower

1. Park the machine on a level surface.
2. Disengage the blade control (PTO).
3. Stop the engine, remove the key, and wait for all moving parts to stop before leaving the operating position.
4. Move the height-of-cut lever to the lowest position.
5. Remove the mower belt from the electric-clutch pulley (Figure 35).

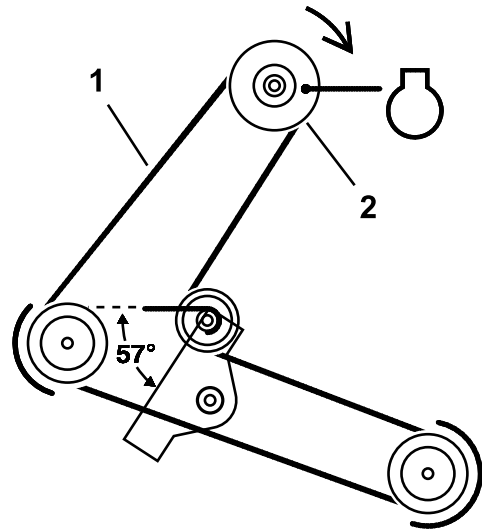


Figure 35

G015022

- | | |
|---------------|---------------------------|
| 1. Mower belt | 2. Electric-clutch pulley |
|---------------|---------------------------|

6. Remove the hairpin cotter and washer from the front support rod (Figure 36), and carefully lower the front of the mower deck to the ground.

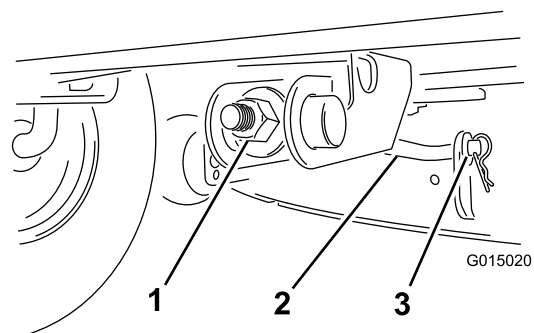
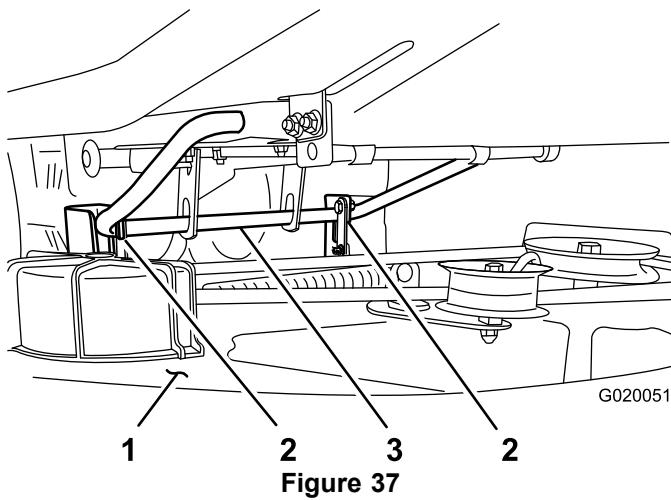


Figure 36

G015020

- | | |
|----------------------|------------------------------|
| 1. Adjustment nut | 3. Hairpin cotter and washer |
| 2. Front support rod | |

7. Remove the hairpin cotter and washer from the clevis pin in the hanger bracket and deck-support bracket on one side of the mower deck. Repeat for the other side (Figure 37 and Figure 38).



1. Mower deck
2. Brackets
3. Rear lift rod

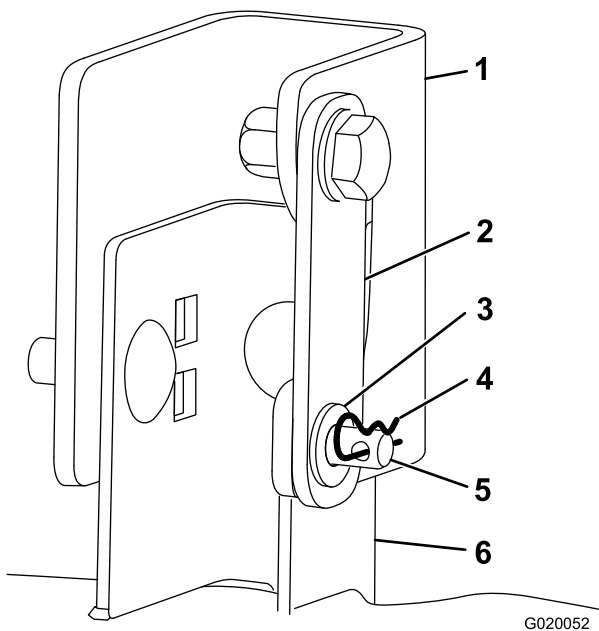


Figure 38
Rear lift rod not shown

1. Hanger bracket
2. Deck-support bracket
3. Washer
4. Hairpin cotter
5. Clevis pin
6. Deck bracket

Installing the Mower

1. Park the machine on a level surface.
2. Disengage the blade control (PTO).
3. Stop the engine, remove the key, and wait for all moving parts to stop before leaving the operating position.
4. Slide the mower deck under the machine.
5. Install the mower belt onto the electric-clutch pulley ([Figure 35](#)).
6. Move the height-of-cut lever to the lowest position.
7. Lift the rear of the mower deck, and guide the hanger brackets over the rear lift rod ([Figure 37](#)).
8. Swivel each deck-support bracket so that the hole in the loose end aligns with the hole in the hanger bracket ([Figure 38](#)).
9. Install the clevis pin through the brackets on each side; then install the washers on the clevis pins and hairpin cotters through the clevis pins ([Figure 38](#)).
10. Attach the front support rod to the mower deck with the washer and the hairpin cotter ([Figure 36](#)).
11. Check the mower level; refer to [Leveling the Mower from Side-to-Side](#) (page 29) and [Adjusting the Front-to-Rear Blade Slope](#) (page 29).

8. Lift the rear of the deck slightly to take the pressure off of the clevis pins, and remove them ([Figure 37](#) and [Figure 38](#)).
9. Lift the mower deck and the hanger brackets clear of the rear lift rod, and lower the rear of the mower deck carefully to the ground ([Figure 37](#)).
10. Slide the mower deck forward to remove the mower belt from the engine pulley.
11. Slide the mower deck out from underneath the machine.

Note: Retain all parts for future installation.

Leveling the Mower from Side-to-Side

The mower blades must be level from side to side. Check the side-to-side level whenever you install the mower or look for an uneven cut on your lawn. Before you level the mower, set the air pressure in the tires to the recommended level; refer to [Checking the Tire Pressure \(page 30\)](#).

1. Park the machine on a level surface.
2. Disengage the blade control (PTO).
3. Stop the engine, remove the key, and wait for all moving parts to stop before leaving the operating position.
4. Move the height-of-cut lever into one of the middle notches.
5. Carefully rotate the blades side to side ([Figure 39](#)).

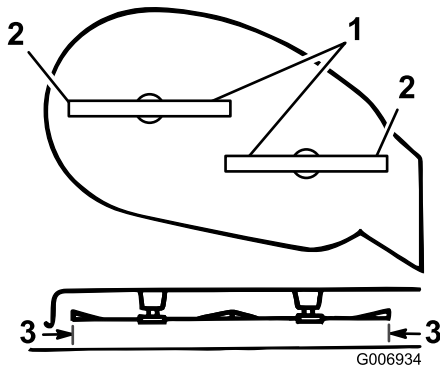


Figure 39

1. Blades side to side
2. Outside cutting edges
3. Measure here

6. Measure between the outside cutting edges and the flat surface ([Figure 39](#)). If both measurements are not within 5 mm (3/16 inch), adjust them; continue this procedure.
7. Move the left side of the machine. Loosen, but do not remove, the rear locking nut on the hanger bracket ([Figure 40](#)).

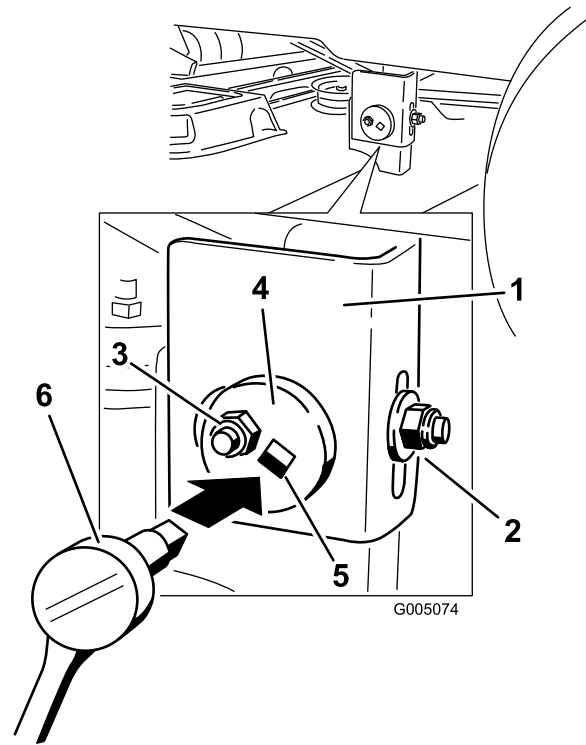


Figure 40

- | | |
|---------------------|--|
| 1. Hanger bracket | 4. Eccentric adjustment plate |
| 2. Rear-locking nut | 5. 3/8-inch square hole |
| 3. Side-locking nut | 6. Socket wrench with 3/8-inch drive extension |

8. Loosen the side-locking nut on the hanger bracket just enough so that you can adjust the eccentric adjustment plate ([Figure 40](#)).

Note: Use a 3/8-inch drive extension on a socket wrench to manipulate the eccentric adjustment plate. Use the wrench to position the height of the mower deck and adjust it to the desired height.

9. Stop the deck at the adjusted position and tighten the side-locking nut on the hanger bracket to hold the new position ([Figure 40](#)).
10. Continue leveling the deck by checking the front-to-rear slope; refer to [Adjusting the Front-to-Rear Blade Slope \(page 29\)](#).

Adjusting the Front-to-Rear Blade Slope

Check the front-to-rear blade slope whenever you install the mower. Before you check the slope, set the air pressure in the tires to the recommended level; refer to [Checking the Tire Pressure \(page 30\)](#). If the front of the mower is not within a range of 0 to 6 mm (0 to 1/4 inch) lower than the rear of the mower, adjust the blade slope as follows:

1. Park the machine on a level surface.
2. Disengage the blade control (PTO).

3. Stop the engine, remove the key, and wait for all moving parts to stop before leaving the operating position.
4. Check and adjust the side-to-side blade level if you have not checked the setting; refer to [Leveling the Mower from Side-to-Side](#) (page 29).
5. Move the height-of-cut lever into one of the middle notches.
6. Measure from the top of the front blade to the flat surface and the tip of the rear blade to the flat surface ([Figure 41](#)). If the front blade tip is not 0 to 6 mm (0 to 1/4 inch) lower than the rear blade tip, adjust the front locknut.

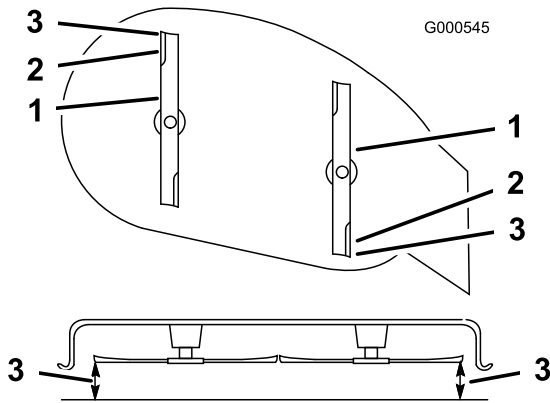


Figure 41

1. Blades front to rear
2. Outside cutting edges
3. Measure here

7. Loosen the jam nut ([Figure 42](#)).

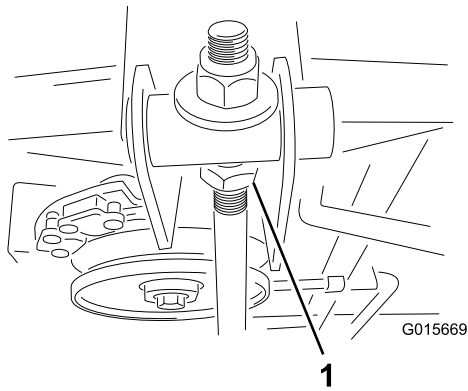


Figure 42

1. Jam nut

8. Adjust the front-to-rear blade slope by rotating the adjustment nut in the front of the mower ([Figure 43](#)).

Note: Raise the front of the mower by tightening the adjustment nut; lower the front of the mower by loosening the nut.

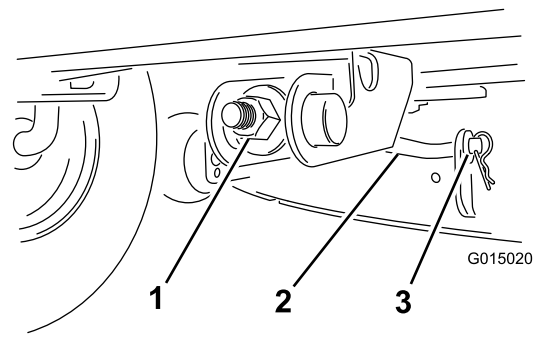


Figure 43

1. Adjustment nut
2. Front support rod
3. Hairpin cotter and washer

9. After adjusting the mower, check the front-to-rear slope again.

Note: Continue adjusting the nut until the front blade tip is 0 to 6 mm (0 to 1/4 inch) lower than the rear blade tip ([Figure 41](#)).

10. When the front-to-rear blade slope is correct, check the side-to-side level of the mower again; refer to [Leveling the Mower from Side-to-Side](#) (page 29).
11. Tighten the jam nut.

Checking the Tire Pressure

Service Interval: Every 25 hours

Maintain the air pressure in the front and rear tires at 97 kPa (14 psi). Check the pressure at the valve stem ([Figure 44](#)) after every 25 operating hours or yearly, whichever occurs first. Check the tires when they are cold, to get the most accurate pressure reading.

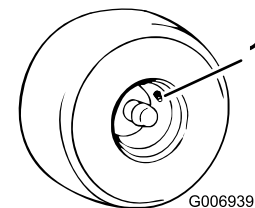


Figure 44

1. Valve stem

Servicing the Headlights

The headlights use an 1156, automotive-type bulb.

Removing the Bulb

1. Open the hood.
2. Disconnect the wire connectors from both of the bulb-holder terminals.
3. Rotate the bulb holder 1/4 turn clockwise and remove it from the reflector (Figure 45).

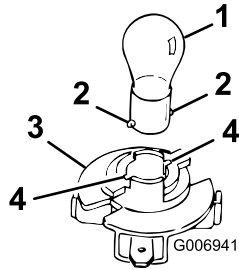


Figure 45

- | | |
|---------------|----------------|
| 1. Bulb | 3. Bulb holder |
| 2. Metal pins | 4. Slots |

4. Insert and rotate the bulb counterclockwise until it stops (approximately 1/4 turn), and remove the bulb from the bulb holder (Figure 45).

Installing the Bulb

1. Align the metal pins on the side of the bulb base with the slots in the bulb holder.
2. Insert the base into the holder (Figure 45).
3. Push and rotate the bulb clockwise until it stops.
4. Align the tabs on the bulb holder with the slots in the reflector, insert the bulb holder into the reflector, and rotate it 1/4 turn clockwise until it stops.
5. Connect the wire connectors to the terminals on the bulb holder.

Cleaning

Washing the Underside of the Mower

Service Interval: Before each use or daily

Wash the underside of the mower to prevent grass buildup for improved clipping dispersal.

1. Park the machine on a level surface.
2. Disengage the blade control (PTO).
3. Stop the engine, wait for all moving parts to stop, and remove the key before leaving the operating position.
4. Attach the coupling (not included) to the mower washout fitting and turn the water on high (Figure 46).

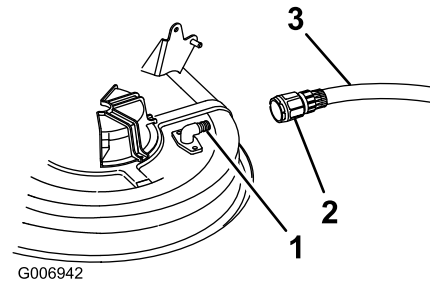


Figure 46

- | | |
|----------------------------|---------|
| 1. Washout fitting | 3. Hose |
| 2. Coupling (not included) | |

Note: Spread petroleum jelly on the washout fitting o-ring to make the coupling slide on easier and to protect the o-ring.

5. Lower the mower to the lowest height-of-cut.
6. Sit on the seat and start the engine.
7. Engage the blade control (PTO) and let the mower run for 1 to 3 minutes.
8. Disengage the blade control (PTO).
9. Stop the engine, wait for all moving parts to stop, and remove the key before leaving the operating position.
10. Remove the ignition key.
11. Turn the water off and remove the coupling from the washout fitting and hose.
12. Run the mower again for 1 to 3 minutes to remove the excess water.

▲ WARNING

A broken or missing washout fitting could expose you and others to thrown objects or to blade contact. Contact with the blade or thrown debris contact may cause injury or death.

- Replace broken or missing washout fitting immediately, before using the mower again.
- Plug any holes in the mower with bolts and locknuts.
- Never put your hands or feet under the mower or through openings in the mower.

Storage

1. Disengage the blade control (PTO).
2. Stop the engine, wait for all moving parts to stop, and remove the key before leaving the operating position.
3. Remove grass clippings, dirt, and grime from the external parts of the entire machine, especially the engine. Clean dirt and chaff from the outside of the engine cylinder-head fins and blower housing.

Important: You can wash the machine with a mild detergent and water. Do not use a pressure washer to wash the machine. Pressure washing may damage the electrical system or wash away necessary grease at friction points. Avoid using water excessively, especially near the control panel, lights, engine, and battery.

4. Service the air cleaner; refer to [Servicing the Air Cleaner](#) (page 21).
5. Grease the chassis; refer to [Greasing and Lubricating the Machine](#) (page 18).
6. Change the crankcase oil and filter; refer to [Servicing the Engine Oil](#) (page 19).
7. Check the tire pressure; refer to [Checking the Tire Pressure](#) (page 30).
8. When storing the machine for over 30 days, prepare it as follows:
 - A. Add a petroleum based stabilizer/conditioner to fuel in the tank according to the instructions from the stabilizer manufacturer. Do not use an alcohol-based stabilizer (ethanol or methanol).

Note: A fuel stabilizer/conditioner is most effective when mixed with fresh gasoline and used at all times.

- B. Run engine for 5 minutes to distribute conditioned fuel through the fuel system.
- C. Stop the engine, allow it to cool, and drain the fuel tank; refer to [Draining the Fuel Tank](#) (page 23).
- D. Start the engine and run it until it stops.
- E. Choke or prime the engine.
- F. Start and run the engine until it will not start again.
- G. Recycle the old fuel according to local codes.

Important: Do not store stabilizer/conditioned gasoline over 90 days.

9. Remove and inspect the spark plug; refer to [Servicing the Spark Plug](#) (page 22). With the spark plug removed from the engine, pour 2 tablespoons of engine oil into the spark plug hole. Use the electric starter to crank the engine and distribute the oil inside the cylinder. Install the spark plug, but do not connect the wire to the spark plug.

10. Disconnect the negative battery cable. Clean the battery and battery terminals. Check the electrolyte level and charge it fully; refer to [Servicing the Battery \(page 24\)](#). Leave the negative battery cable disconnected from the battery during storage.

Important: The battery must be fully charged to prevent it from freezing and being damaged at temperatures below 0 °C (32 °F). A fully-charged battery can be stored during the winter without recharging.

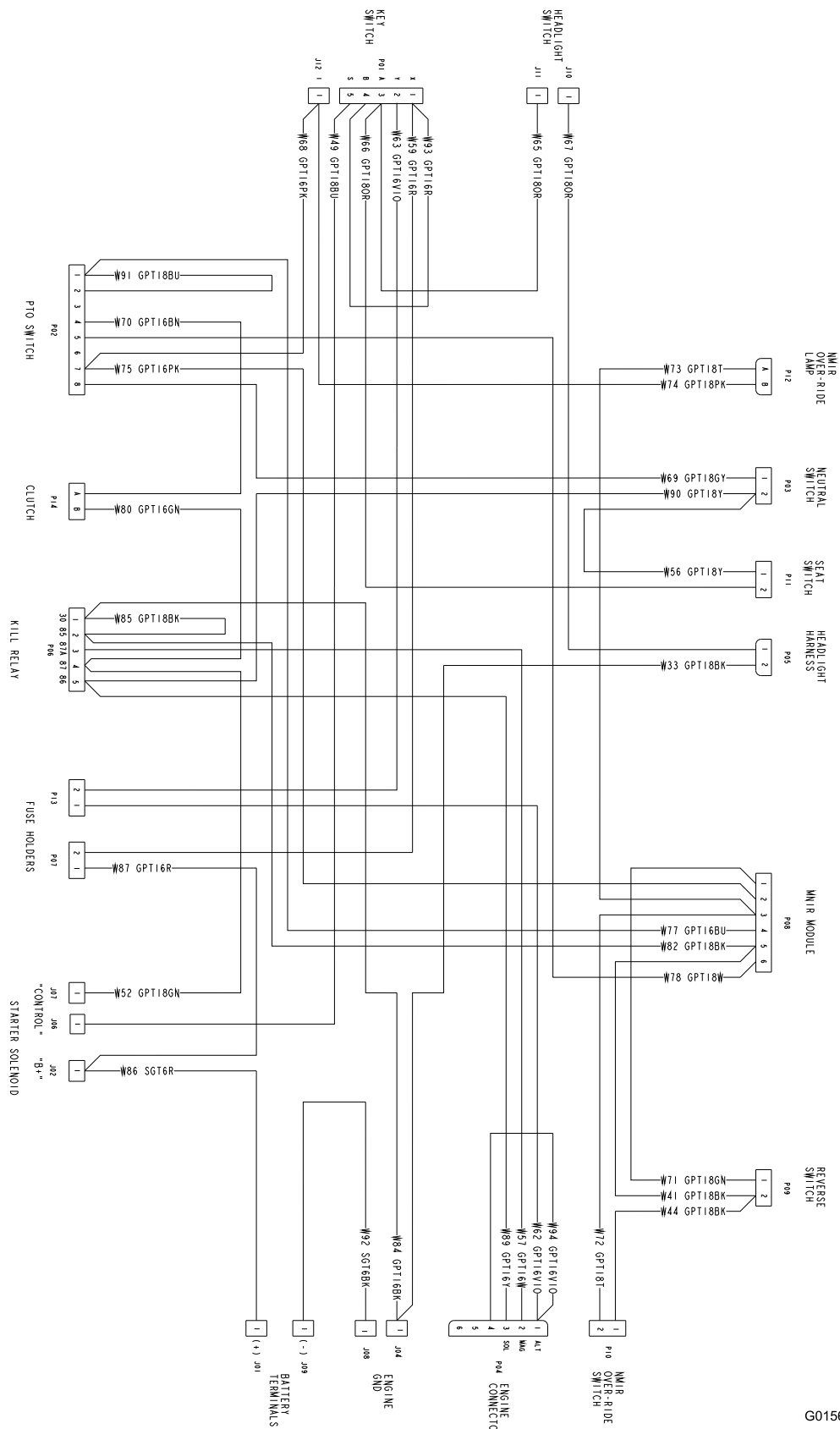
11. Check and tighten all bolts, nuts, and screws. Repair or replace any part that is worn or damaged.
12. Paint all scratched or bare metal surfaces with paint available from an Authorized Service Dealer.
13. Store the machine in a clean, dry garage or storage area. Remove the ignition and KeyChoice keys from the machine and keep them in a memorable place. Cover the machine to protect it and keep it clean.

Troubleshooting

Problem	Possible Cause	Corrective Action
The starter does not crank.	<ol style="list-style-type: none"> 1. The blade control (PTO) is engaged. 2. The transmission drive control is in the Push position. 3. The battery is dead. 4. The electrical connections are corroded or loose. 5. A fuse is blown. 6. A relay or switch is damaged. 	<ol style="list-style-type: none"> 1. Disengage the blade control (PTO). 2. Move the transmission drive control to the Operate position. 3. Charge the battery. 4. Check the electrical connections for good contact. 5. Replace the fuse. 6. Contact an Authorized Service Dealer.
The engine will not start, starts hard, or fails to keep running.	<ol style="list-style-type: none"> 1. The fuel tank is empty. 2. The air cleaner is dirty. 3. The spark-plug wire is loose or disconnected. 4. The spark plug is pitted, fouled, or incorrectly gapped. 5. The choke is not closing. 6. There is dirt in the fuel filter. 7. The idle speed is too low or the mixture is incorrect. 8. Dirt, water, or stale fuel is in the fuel system. 	<ol style="list-style-type: none"> 1. Fill the fuel tank with gasoline. 2. Clean or replace the air cleaner element. 3. Connect the wire to spark plug. 4. Install a new, correctly gapped spark plug. 5. Adjust the choke cable. 6. Replace the fuel filter. 7. Contact an Authorized Service Dealer. 8. Contact an Authorized Service Dealer.
The engine loses power.	<ol style="list-style-type: none"> 1. The engine load is excessive. 2. The air cleaner is dirty. 3. The oil level in the crankcase is low. 4. The cooling fins and air passages under the engine blower housing are plugged. 5. The spark plug is pitted, fouled, or the gap is incorrect. 6. The vent hole in the fuel cap is plugged. 7. There is dirt in fuel filter. 8. Dirt, water, or stale fuel is in the fuel system. 	<ol style="list-style-type: none"> 1. Reduce the ground speed. 2. Clean the air cleaner element. 3. Add oil to the crankcase. 4. Remove the obstruction from the cooling fins and air passages. 5. Install a new, correctly gapped spark plug. 6. Clean or replace the fuel cap. 7. Replace the fuel filter. 8. Contact an Authorized Service Dealer.
The engine overheats.	<ol style="list-style-type: none"> 1. The engine load is excessive. 2. The oil level in the crankcase is low. 3. The cooling fins and air passages under the engine blower housing are plugged. 	<ol style="list-style-type: none"> 1. Reduce the ground speed. 2. Add oil to the crankcase. 3. Remove the obstruction from the cooling fins and air passages.
There is an abnormal vibration.	<ol style="list-style-type: none"> 1. The blades are bent or unbalanced. 2. The blade mounting bolt is loose. 3. The engine mounting bolts are loose. 4. There is a loose engine pulley, idler pulley, or blade pulley. 5. The engine pulley is damaged. 	<ol style="list-style-type: none"> 1. Install new blades. 2. Tighten the blade mounting bolt. 3. Tighten the engine mounting bolts. 4. Tighten the appropriate pulley. 5. Contact an Authorized Service Dealer.
The blades do not rotate.	<ol style="list-style-type: none"> 1. The blade drive belt is worn, loose, or broken. 2. The blade drive belt is off of the pulley. 	<ol style="list-style-type: none"> 1. Install a new blade drive belt. 2. Install the blade drive belt and check the idler pulley and belt guides for the correct position.

Problem	Possible Cause	Corrective Action
The machine does not drive.	<ol style="list-style-type: none"> 1. The drive control is in the Push position. 2. The traction belt is worn, loose, or broken. 3. The traction belt is off of the pulley. 	<ol style="list-style-type: none"> 1. Move the drive control to the Operate position. 2. Contact an Authorized Service Dealer. 3. Contact an Authorized Service Dealer.
The mower is cutting unevenly.	<ol style="list-style-type: none"> 1. The tire pressure is incorrect. 2. The mower is not level. 3. The underside of the mower is dirty. 	<ol style="list-style-type: none"> 1. Set the tire pressure. 2. Level the mower from side-to-side and front-to-rear. 3. Clean the underside of the mower.

Schematics



G015670

Wiring Diagram (Rev. A)

Notes:

Notes:

International Distributor List

Distributor:	Country:	Phone Number:	Distributor:	Country:	Phone Number:
Atlantis Su ve Sulama Sistemleri Lt	Turkey	90 216 344 86 74	Maquiver S.A.	Colombia	57 1 296 4079
Balama Prima Engineering Equip.	Hong Kong	852 2155 2163	Maruyama Mfg. Co. Inc.	Japan	81 3 3252 2285
B-Ray Corporation	Korea	82 32 551 2076	Agrolanc Kft	Hungary	36 27 539 640
Casco Sales Company	Puerto Rico	787 788 8383	Mountfield a.s.	Czech Republic	420 255 704
Ceres S.A.	Costa Rica	506 239 1138	Munditol S.A.	Argentina	54 11 4 821
CSSC Turf Equipment (pvt) Ltd.	Sri Lanka	94 11 2746100	Oslinger Turf Equipment SA	Ecuador	999 4 239 6970
Cyril Johnston & Co.	Northern Ireland	44 2890 813 121	Oy Hako Ground and Garden Ab	Finland	358 987 00733
Equiver	Mexico	52 55 539 95444	Parkland Products Ltd.	New Zealand	64 3 34 93760
Femco S.A.	Guatemala	502 442 3277	Prato Verde S.p.A.	Italy	39 049 9128
G.Y.K. Company Ltd.	Japan	81 726 325 861	Prochaska & Cie	Austria	43 1 278 5100
Geomechaniki of Athens	Greece	30 10 935 0054	RT Cohen 2004 Ltd.	Israel	972 986 17979
Guandong Golden Star	China	86 20 876 51338	Riversa	Spain	34 9 52 83 7500
Hako Ground and Garden	Sweden	46 35 10 0000	Sc Svend Carlsen A/S	Denmark	45 66 109 200
Hako Ground and Garden	Norway	47 22 90 7760	Solvart S.A.S.	France	33 1 30 81 77 00
Hayter Limited (U.K.)	United Kingdom	44 1279 723 444	Spyros Stavrinides Limited	Cyprus	357 22 434131
Hydroturf Int. Co Dubai	United Arab Emirates	97 14 347 9479	Surge Systems India Limited	India	91 1 292299901
Hydroturf Egypt LLC	Egypt	202 519 4308	T-Markt Logistics Ltd.	Hungary	36 26 525 500
Irriamc	Portugal	351 21 238 8260	Toro Australia	Australia	61 3 9580 7355
Irrigation Products Int'l Pvt Ltd.	India	86 22 83960789	Toro Europe NV	Belgium	32 14 562 960
Jean Heybroek b.v.	Netherlands	31 30 639 4611			

European Privacy Notice

The Information Toro Collects

Toro Warranty Company (Toro) respects your privacy. In order to process your warranty claim and contact you in the event of a product recall, we ask you to share certain personal information with us, either directly or through your local Toro company or dealer.

The Toro warranty system is hosted on servers located within the United States where privacy law may not provide the same protection as applies in your country.

BY SHARING YOUR PERSONAL INFORMATION WITH US, YOU ARE CONSENTING TO THE PROCESSING OF YOUR PERSONAL INFORMATION AS DESCRIBED IN THIS PRIVACY NOTICE.

The Way Toro Uses Information

Toro may use your personal information to process warranty claims, to contact you in the event of a product recall and for any other purpose which we tell you about. Toro may share your information with Toro's affiliates, dealers or other business partners in connection with any of these activities. We will not sell your personal information to any other company. We reserve the right to disclose personal information in order to comply with applicable laws and with requests by the appropriate authorities, to operate our systems properly or for our own protection or that of other users.

Retention of your Personal Information

We will keep your personal information as long as we need it for the purposes for which it was originally collected or for other legitimate purposes (such as regulatory compliance), or as required by applicable law.

Toro's Commitment to Security of Your Personal Information

We take reasonable precautions in order to protect the security of your personal information. We also take steps to maintain the accuracy and current status of personal information.

Access and Correction of your Personal Information

If you would like to review or correct your personal information, please contact us by email at legal@toro.com.

Australian Consumer Law

Australian customers will find details relating to the Australian Consumer Law either inside the box or at your local Toro Dealer.



The Toro Warranty and The Toro GTS Starting Guarantee

Conditions and Products Covered

The Toro Company and its affiliate, Toro Warranty Company, pursuant to an agreement between them, jointly promise to repair for the original purchaser¹ the Toro Product listed below if defective in materials or workmanship or if the Toro GTS (Guaranteed to Start) engine will not start on the first or second pull, provided the routine maintenance required in the *Operator's Manual* have been performed.

The following time periods apply from the date of purchase:

Products	Warranty Period
Walk Power Mowers	
• Cast Deck	5 years Residential Use ² 90 Days Commercial Use
• Engine	5 years GTS Guarantee, Residential Use ³
• Battery	2 years
• Steel Deck	2 years Residential Use ² 90 Days Commercial Use
• Engine	2 years GTS Guarantee, Residential Use ³
TimeMaster Mowers	3 years Residential Use ² 90 Days Commercial Use
• Engine	3 years GTS Guarantee, Residential Use ³
• Battery	2 years
Electric Hand Held Products	2 years Residential Use ² No Warranty for Commercial Use
Snowthrowers	
• Single Stage	2 years Residential Use ² 45 Days Commercial Use
• Engine	2 years GTS Guarantee, Residential Use ³
• Two Stage	3 years Residential Use ² 45 Days Commercial Use
• Chute, chute deflector and impeller housing cover	Lifetime (original owner only) ⁵
Electric Snowthrowers	2 years Residential Use ² No Warranty for Commercial Use
All Ride-On Units Below	
• Engine	See engine manufacturer's warranty ⁴
• Battery	2 years Residential Use ²
• Attachments	2 years Residential Use ²
DH Lawn & Garden Tractors	2 years Residential Use ² 90 Days Commercial Use
XLS Lawn & Garden Tractors	3 years Residential Use ² 90 Days Commercial Use
TimeCutter	3 years Residential Use ² 90 Days Commercial Use
TITAN Mowers	3 years or 240 hours ⁵
• Frame	Lifetime (original owner only) ⁶
Z Master Mowers — 2000 Series	4 years or 500 hours ⁵
• Frame	Lifetime (original owner only) ⁶

¹Original Purchaser means the person who originally purchased the Toro Product.

²Residential use means use of the product on the same lot as your home. Use at more than one location is considered commercial use and the commercial use warranty would apply.

³The Toro GTS Starting Guarantee does not apply when the product is used commercially.

⁴Some engines used on Toro Products are warranted by the engine manufacturer.

⁵Whichever occurs first.

⁶Lifetime Frame Warranty - If the main frame, consisting of the parts welded together to form the tractor structure that other components such as the engine are secured to, cracks or breaks in normal use, it will be repaired or replaced, at Toro's option, under warranty at no cost for parts and labor. Frame failure due to misuse or abuse and failure or repair required due to rust or corrosion are not covered.

This warranty covers the cost of parts and labor, but you must pay transportation costs.

Warranty may be denied if the hour meter is disconnected, altered, or shows signs of being tampered with.

Owner Responsibilities

You must maintain your Toro Product by following the maintenance procedures described in the *Operator's Manual*. Such routine maintenance, whether performed by a dealer or by you, is at your expense.

Instructions for Obtaining Warranty Service

If you think that your Toro Product contains a defect in materials or workmanship, follow this procedure:

1. Contact your seller to arrange service of the product. If for any reason it is impossible for you to contact your seller, you may contact any Toro Authorized Distributor to arrange service. See attached Distributor List.
2. Bring the product and your proof of purchase (sales receipt) to the servicing outlet. If for any reason you are dissatisfied with the servicing outlet's analysis or with the assistance provided, contact us at:

Toro Customer Care Department, RLC Division
Toro Warranty Company
8111 Lyndale Avenue South
Bloomington, MN 55420-1196
001-952-948-4707

Items and Conditions Not Covered

This express warranty does not cover the following:

- Cost of regular maintenance service or wear parts, such as blades, rotor blades (paddles), scraper blades, belts, fuel, lubricants, oil changes, spark plugs, pneumatic tires, cable/linkage or brake adjustments
- Any product or part which has been altered or misused and requires replacement or repair due to accidents or lack of proper maintenance
- Repairs necessary due to failure to use fresh fuel (less than one month old), or failure to properly prepare the unit prior to any period of non-use over one month
- All repairs covered by these warranties must be performed by an authorized Toro servicing outlet using approved replacement parts.

General Conditions

The purchaser is covered by the national laws of each country. The rights to which the purchaser is entitled with the support of these laws are not restricted by this warranty.