



2/3 and Full Area Flatbed Side Kit Workman® 3000 Series Utility Vehicle

Model No. 07302-30001 & Up

Model No. 07322-30001 & Up

Form No. 3317-254 Rev A

Installation Instructions

1. Position bed on a table or bench, so top is facing up. Position front panel on bed aligning mounting holes in top and end of bed.
2. Loosely secure panel to top and front of bed with (5) 5/16-18 x 5/8" lg. capscrews and flange locknuts (Fig. 2).
3. Position right and left side panels on bed and align mounting holes. Loosely secure panels to top and sides of bed and ends of front panel with side angles, 5/16-18 x 5/8" lg. capscrews and flange locknuts. (12) capscrews and flange locknuts are required for installation on a full area flatbed or (10) on a 2/3 area flatbed. Position side angles as shown in figure 2. Do not secure rear sides at this time.

Note: When mounting side panels to full flatbeds with serial numbers prior to 49999, each side of rear flange on flatbed must be trimmed inward 5.33" as shown in figure 1. Only trim outer flange to expose inner frame.

4. Loosely secure rear of each panel to rear of bed with a 5/16-18 x 1" lg. capscrew and flange locknut.

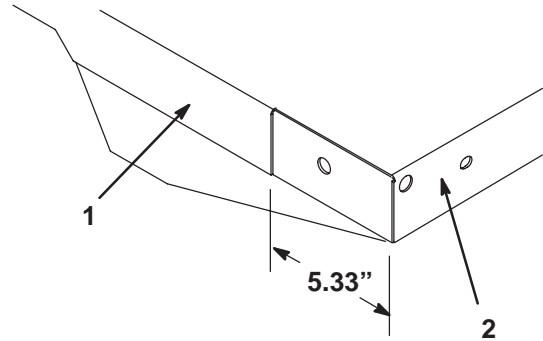


Figure 1

1. Rear flange of bed
2. Right side of bed shown

5. Loosely secure rear flange of each panel to rear of bed with a 5/16-18 x 3/4" lg. carriage bolt and flange locknut.
6. While pushing panels toward center of bed, tighten all assembled capscrews and flange locknuts starting at rear and moving forward.

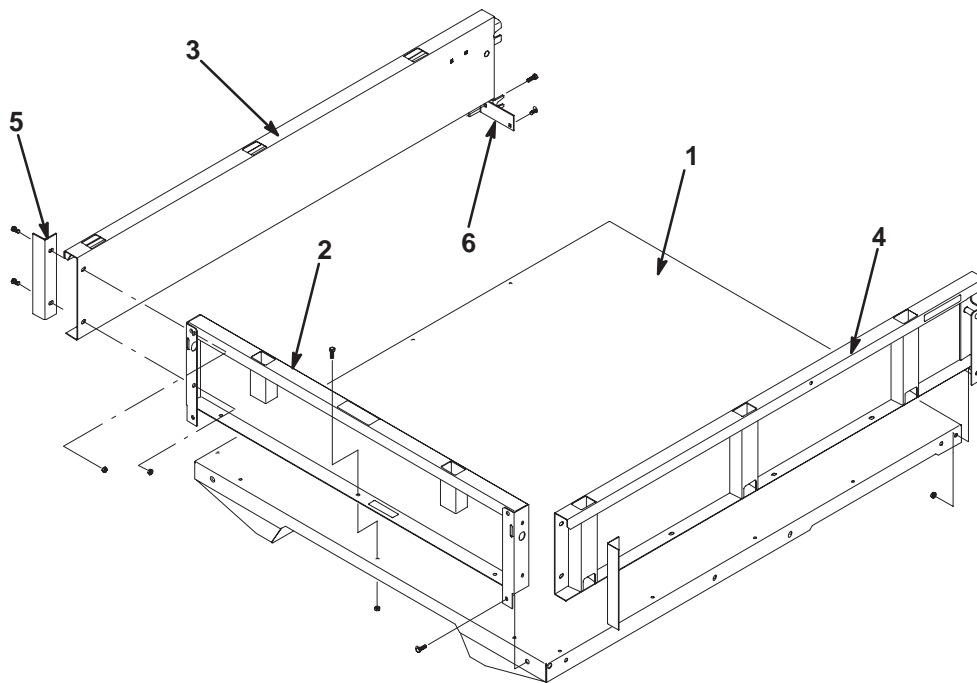


Figure 2

1. Flatbed
2. Front panel
3. Right side panel
4. Left side panel
5. Side angles
6. Rear flange of panel

7. Lift tailgate into operating position, inserting upper and lower pins into notches on each side panel.
8. Place a pivot bracket over each lower pivot pin on tailgate (Fig. 3).

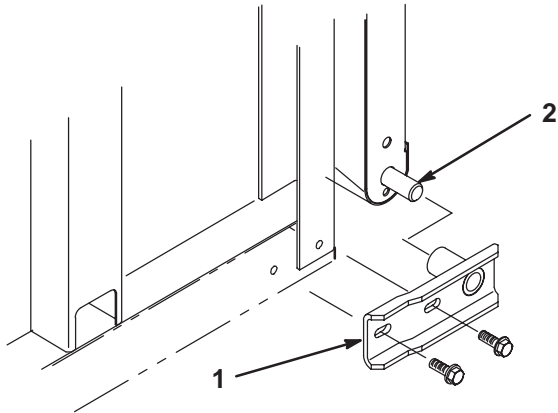


Figure 3

1. Pivot bracket
2. Lower tailgate pivot pin

9. Lift tailgate into operating position. While lightly pushing forward on the bottom of the tailgate, secure pivot brackets to right and left side panels and bed with (2) 5/16–18 x 1” lg. flange head capscrews and flange locknuts (Fig. 3).
10. Mount each end of lanyard to side panel and tailgate with a 5/16–18 x 5/8” lg. capscrew and flat washer (Fig. 4).

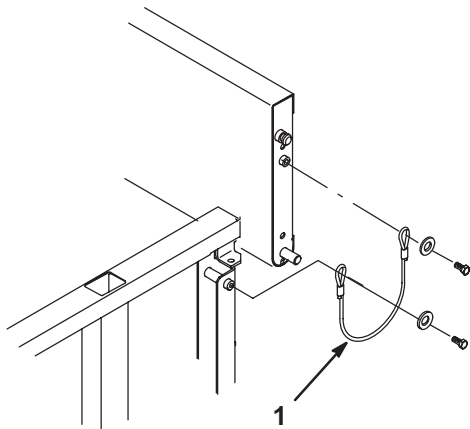


Figure 4

1. Lanyard

11. Loosely mount a tailgate latch assembly to each side panel with (2) 5/16– 18 x 5/8” lg. carriage bolts and flange locknuts as shown in figure 5.
12. Open tailgate latch assemblies and hook latch plates over upper tailgate pins on both sides (Fig. 6). Make sure that the latch plates are seated all the way in the groves on the pins.

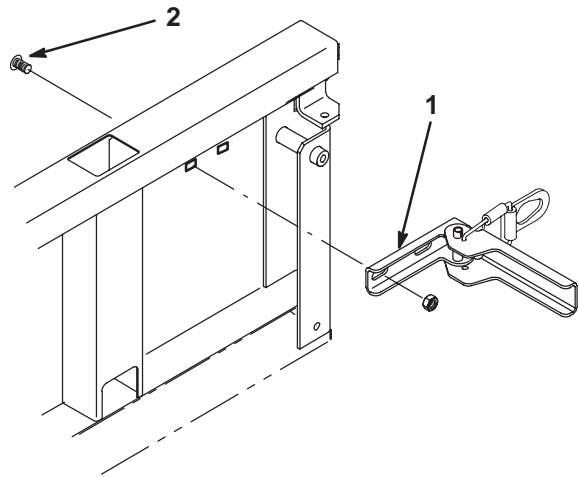


Figure 5

1. Tailgate latch assembly
2. Carriage bolt

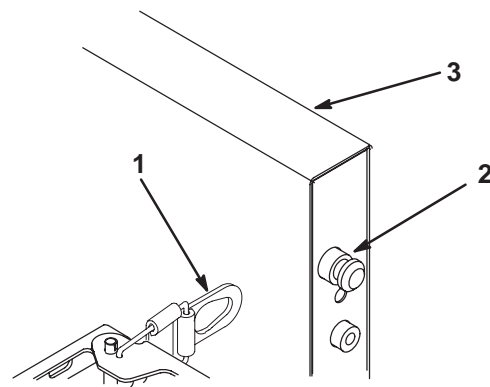


Figure 6

1. Latch plate
2. Upper tailgate pin
3. Tailgate

13. Close both latches.
14. One at a time, push each latch towards the front of the vehicle with your fingers. While holding pressure on the latch, put a mark on the side panel at the tailgate edge of the latch.
15. Carefully open each latch and lower tailgate.
16. From mark on side panel, move each latch forward an additional .060” – .080” and tighten carriage bolts and flange locknuts.
17. Check operation of tailgate. Make sure latches are not too tight to impair operation or too loose so tailgate rattles.

CAUTION: Be careful not to pinch fingers when raising tailgate or actuating latches.