



**Count on it.**

**Parts Catalog**

**Sand Pro® 5040 Traction Unit**

Model No. 08705—Serial No. 313000001 and Up



# Ordering Replacement Parts

To order replacement parts, please supply the part number, the quantity, and the description of each part desired.

## Understanding Reference Numbers

Each identified part in an illustration has a reference number. The reference number for a part also appears in the parts list, along with other information about the part.

This catalog uses two special reference number formats, one to indicate parts in a service assembly and another to indicate the quantity of a given part in an illustration.

## Service Assembly Reference Numbers

Parts in service assemblies have reference numbers in the form a:b. The a represents the reference number of the entire service assembly and the b represents a sequential number unique to each part within the service assembly.

For example, a wheel assembly might be identified by reference number 6, the tire by 6:1, the valve by 6:2, and the wheel by 6:3. When you order the assembly identified by reference number 6, you receive all parts identified by reference numbers 6:1, 6:2, and 6:3. However, you may also order any part individually. Reference numbers of this type appear in illustration and in parts lists.

## Reference Numbers Indicating Quantity

In an illustration, if a reference number indicates more than one part, the reference number has the form nX y. The n represents the quantity of the part, the X is the multiplication symbol, and the y represents the reference number.

For example, in an illustration, the reference number 2X 37 means that two of the parts identified by reference number 37 are indicated.

# List of Abbreviations

**AR:** as required

**ASM:** assembly

**BBC:** blade brake control

**BHTF:** button head thread forming

**CARR:** carriage

**CCW:** counter clockwise

**CW:** clockwise

**DEG:** degrees

**DPA:** Dual Point Adjustment

**ECM:** electronic control module

**EXT:** external

**FH:** flat head

**GA:** gauge

**HD:** heavy-duty

**HF:** hex flange

**HH:** hex head

**HHF:** hex head flange

**HHFTF:** hex head flange thread forming

**HJ:** hex jam

**HLH:** hex lag head

**HOC:** height-of-cut

**HSBH:** hex socket button head

**HSFH:** hex socket flat head

**HSH:** hex socket head

**HWH:** hex washer head

**HWHTF:** hex washer head thread forming

**HYD:** hydraulic

**LH:** left hand

**LP:** Liquefied Petroleum Gas

**LPG:** Liquefied Petroleum Gas

**NI:** nylon insert

**NPTF:** national pipe thread fine

**PFH:** phillips flat head

**PPH:** phillips pan head

**PPHTF:** phillips pan head thread forming

**PRH:** phillips round head

**PTH:** phillips truss head

**PTO:** power-take-off

**RH:** right hand

**ROPS:** roll-over protection system

**RRB:** rear roller brush

**SFH:** slotted fillister head

**SHH:** slotted hex head

**SHWH:** slotted hex washer head

**SPH:** slotted pan head

**SQH:** square head

**SRH:** slotted round head

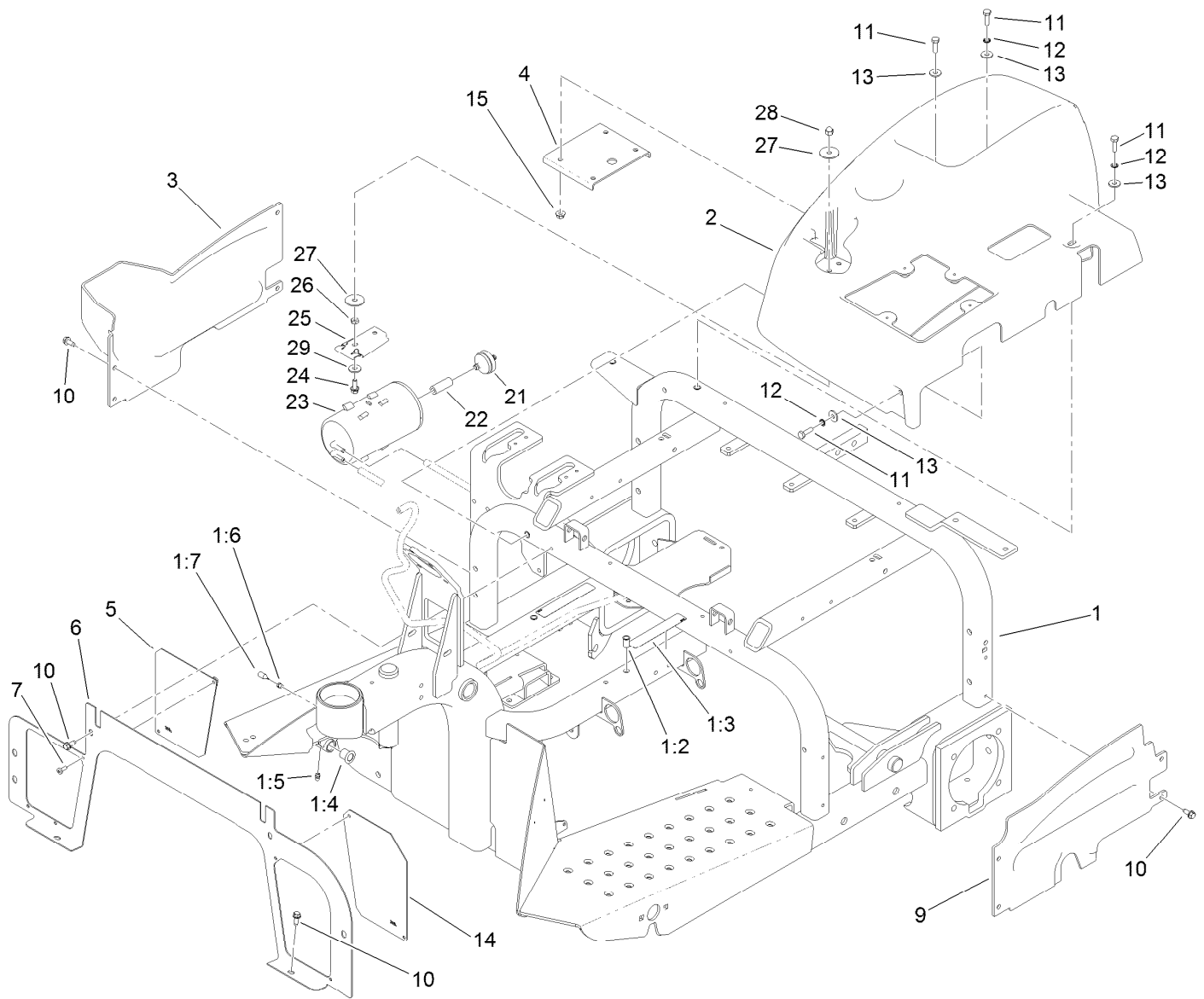
**STD:** standard

**TAP:** self tapping

**TTH:** torx truss head

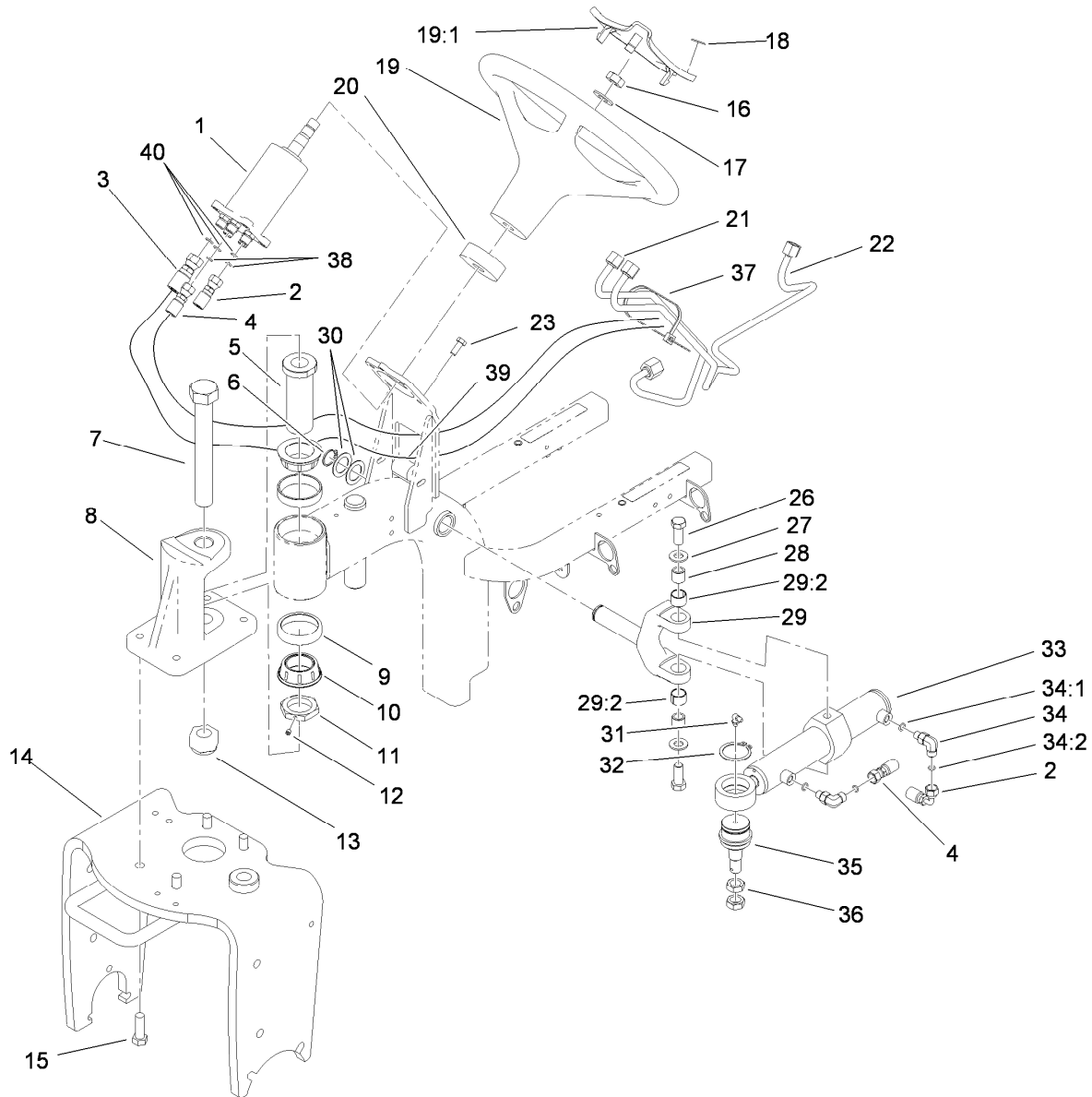
# Contents

Frame and Console Assembly .....	4
Steering Assembly .....	5
Steering Valve Assembly No. 108-2924 .....	6
Hydraulic Cylinder Assembly No. 114-0620 .....	7
Fuel Tank and Battery Assembly .....	8
Front Wheel Assembly .....	10
Hydraulic Motor Assembly No. 108-2948 .....	11
Rear Wheel Assembly .....	12
Hydraulic Motor Assembly No. 108-2949 .....	13
Hydraulic Motor Assembly No. 108-2947 .....	14
Traction Pedal Assembly .....	15
Pump Control Lever Assembly .....	16
Engine Installation Assembly .....	17
Pump and Coupling Assembly .....	18
Variable Piston Pump Assembly No. 114-0612 .....	19
Hydraulic Tank, Filter and Cooler Assembly .....	21
Lift Valve and Rear Tube Assembly .....	23
Seat and Shroud Assembly .....	25
Wire Harness, Air Cleaner and Hose Assembly .....	26
Air Cleaner Assembly No. 93-2190 .....	27
Rear Hitch Assembly .....	28
Hydraulic Lift Cylinder Assembly No. 115-5647 .....	29
Attachments and Accessories .....	30



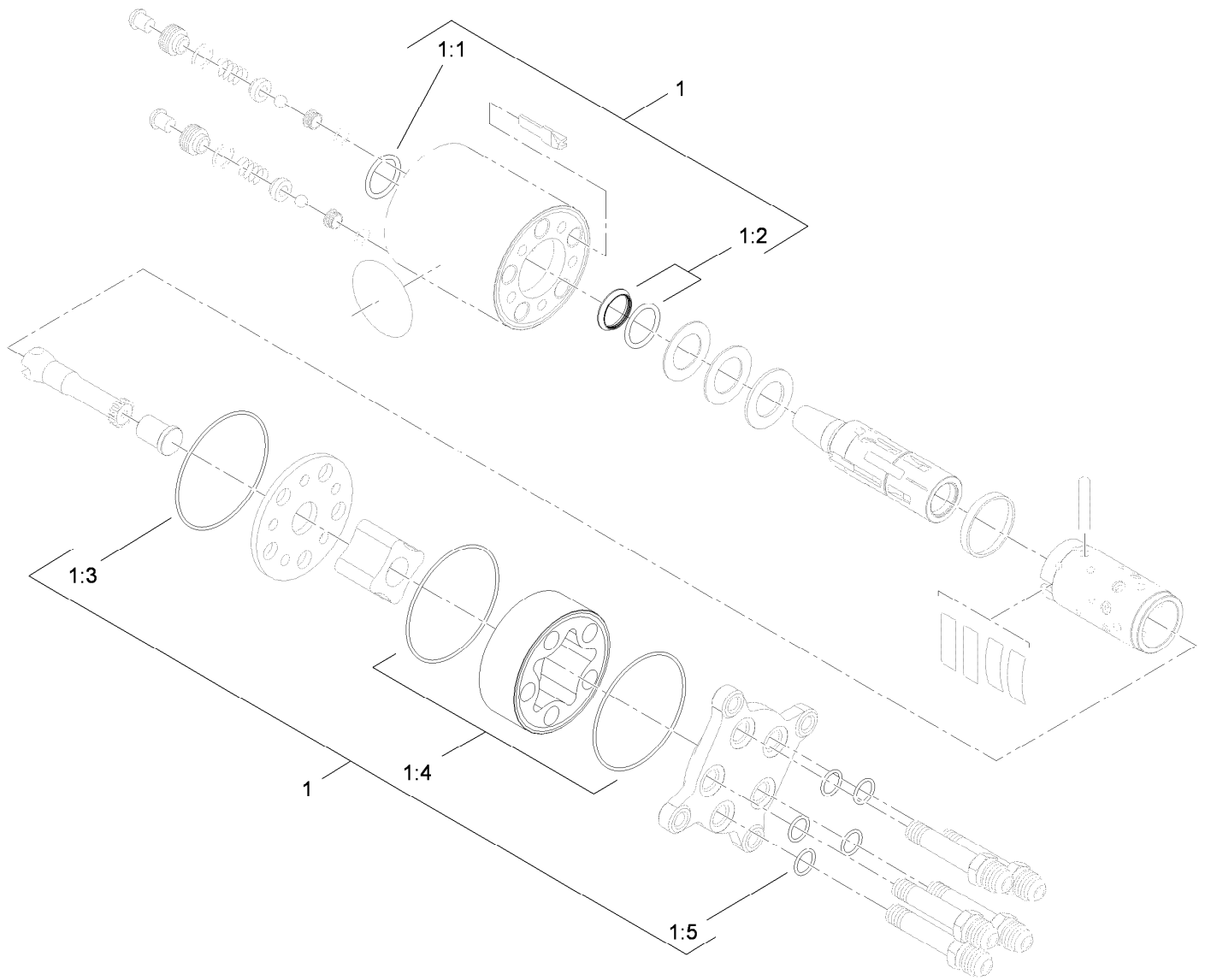
## Frame and Console Assembly

Ref.	Part Number	Qty.	Description	Ref.	Part Number	Qty.	Description
1	110-3367	1	Frame ASM	11	321-5	7	Screw-HH
1:2	32148-11	5	Insert-Threaded	12	3254-8	3	Washer-Lock
1:3	93-7272	2	Decal-Warning	13	3256-78	7	Washer-Flat
1:4	256-219	2	Bushing	14	120-3491-01	1	Screen-Panel, LH
1:5	302-58	1	Fitting-Straight	15	32128-33	4	Nut-HF
1:6	107-1997	1	Fitting-Grease	21	115-7854	1	Filter-Fuel, Inline
1:7	107-1998	1	Nozzle-Grease	22	106-5317	1	Hose-Fuel
2	108-2936	1	Console	23	115-2251	1	Canister-Carbon
3	108-6855	1	Shroud-Wheel, RH	24	3234-33	1	Screw-HHF
4	108-7995-03	1	Plate-Support, Console	25	114-0292	1	Bracket-Canister, Carbon
5	120-3492-01	1	Screen-Panel, RH	26	3218-1	1	Nut-Jam
6	112-1443-01	1	Panel-Front	27	3256-57	2	Washer-Flat
7	3250-14	4	Screw-PPH	28	32111-7	1	Nut-Cap
9	108-6856	1	Shroud-Wheel, LH	29	3256-78	1	Washer-Flat
10	32144-10	12	Screw-HWH				



## Steering Assembly

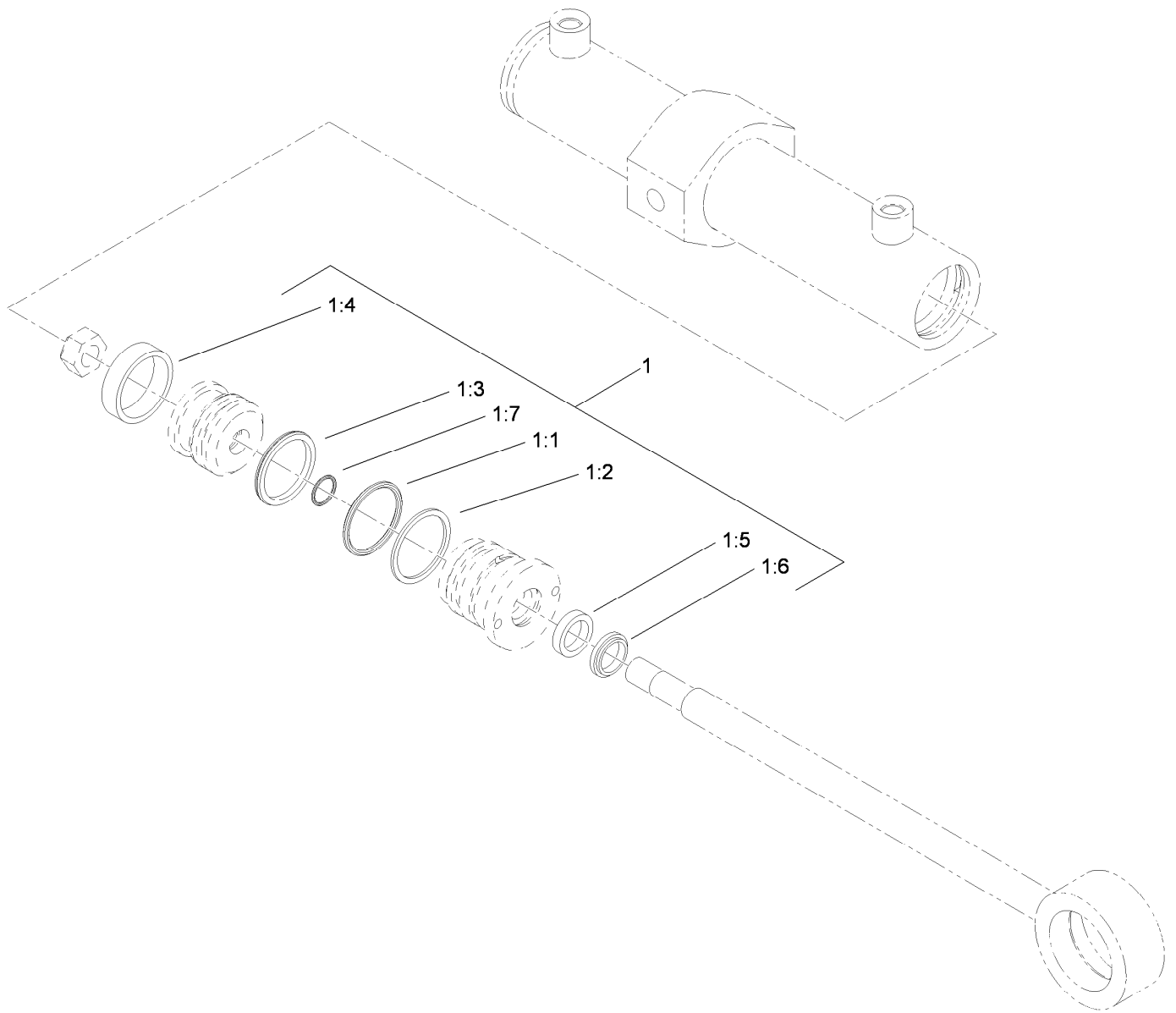
Ref.	Part Number	Qty.	Description	Ref.	Part Number	Qty.	Description
1	108-2924	1	Valve-Steering	21	108-8414	1	Tube ASM
2	105-4347	1	HYD Hose ASM	22	108-8415	1	Tube ASM
3	93-5385	1	Hose ASM	23	33114-020	4	Screw-HH
4	108-6508	1	HYD Hose ASM	26	94-7976	2	Screw-HH
5	108-8470	1	Sleeve-Steering	27	3256-26	2	Washer-Flat
6	32151-36	1	Ring-Retaining	28	108-8483	2	Spacer-Plain
7	3216-16	1	Screw-HH	29	108-8481	1	Yoke And Bushing ASM
8	108-5431	1	Pivot-Steering	29:2	108-8482	2	Bushing-Sleeve
9	107-7590	2	Cup-Bearing	30	1-543436	2	Washer-Spacer
10	107-7589	2	Cone-Bearing (W/ Seal)	31	302-40	1	Fitting-Grease
11	108-8471	1	Nut-Steering	32	32151-104	1	Ring-Retaining, External
12	3245-1	1	Screw-Set, HSH	33	114-0620	1	Hydraulic Cylinder ASM
13	104-2024	1	Nut-Hex, NI	34	340-132	2	Fitting-HYD, 90 DEG
14	108-0573-01	1	Castor Fork ASM	34:1	237-78	1	O-Ring
15	325-6	4	Screw-HH	34:2	237-21	1	O-Ring
16	3296-33	1	Nut-Lock, NI	35	106-6774	1	Joint-Ball
17	3256-27	1	Washer-Flat	36	3220-6	2	Nut-Jam
18	98-1459	1	Decal	37	3290-379	1	Tie-Cable
19	98-1471	1	Wheel-Steering	38	237-21	2	O-Ring
19:1	98-1468	1	Cover-Wheel, Steering	39	38-3400	2	Guard-Rubber
20	108-7998	1	Collar-Foam	40	237-22	3	O-Ring



## Steering Valve Assembly No. 108-2924

Ref.	Part Number	Qty.	Description
1	106-6716	1	Seal Kit
1:1		1	Ring-Seal, Dust ●
1:2		1	Seal-Shaft ●
1:3		1	O-Ring ●
1:4		2	O-Ring ●
1:5		5	O-Ring ●

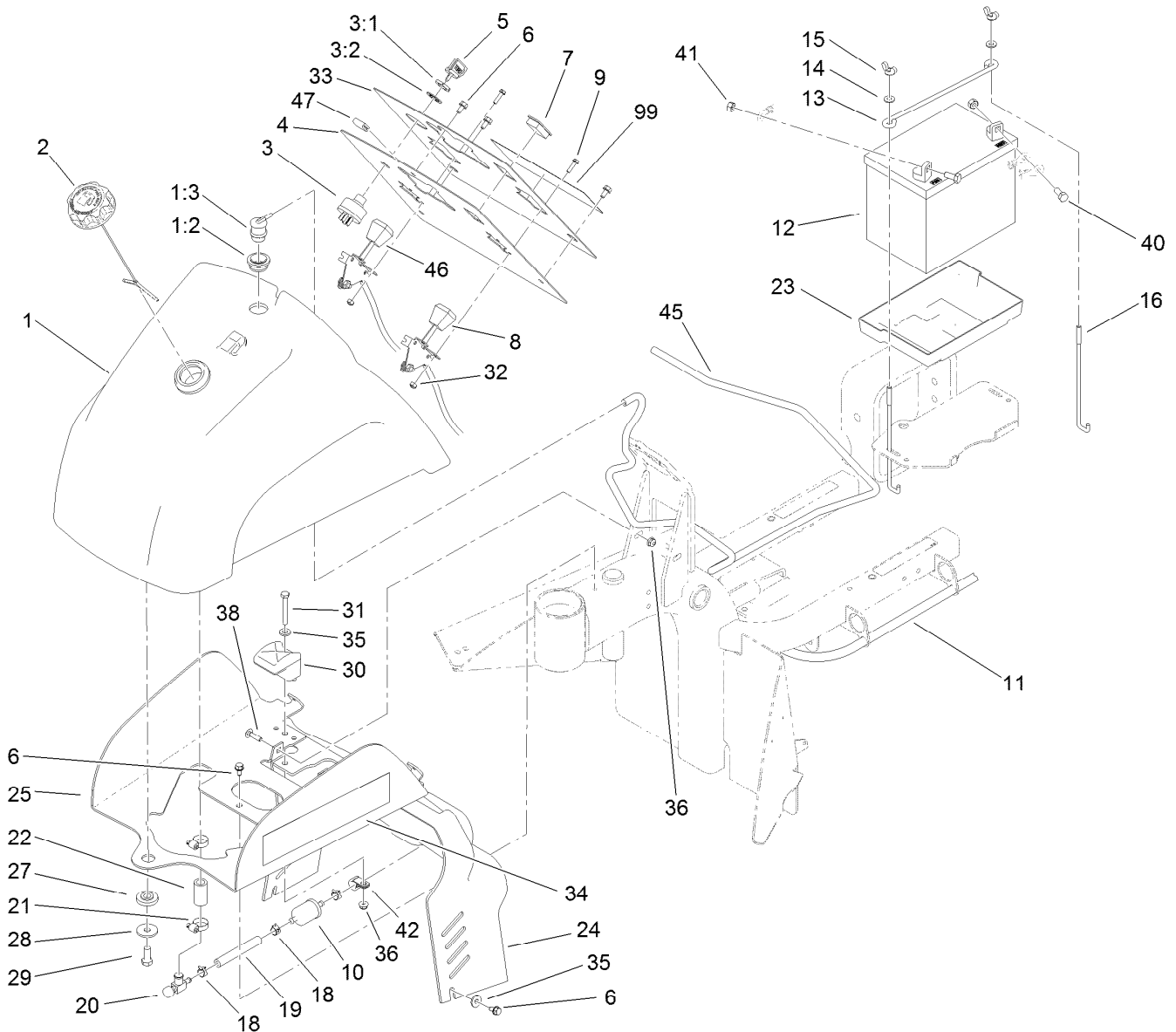
● Not serviced separately



## Hydraulic Cylinder Assembly No. 114-0620

<i>Ref.</i>	<i>Part Number</i>	<i>Qty.</i>	<i>Description</i>
1	114-0622	1	Seal Kit
1:1		1	O-Ring ●
1:2		1	Backup ●
1:3		1	Bp Seal ●
1:4		1	Wear Ring ●
1:5		1	Bs Seal ●
1:6		1	Dust Seal ●
1:7		1	O-Ring ●

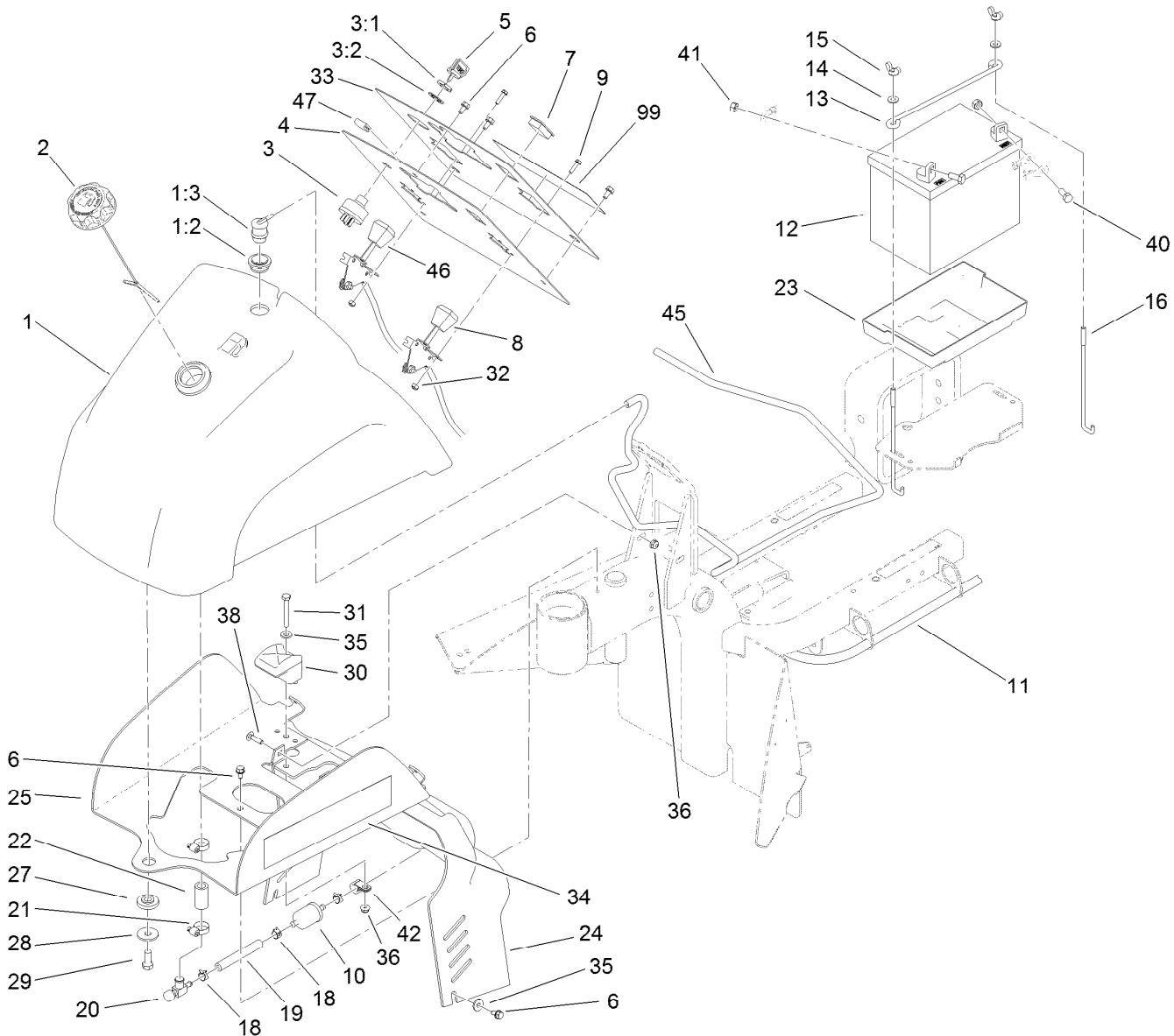
● Not serviced separately



## Fuel Tank and Battery Assembly

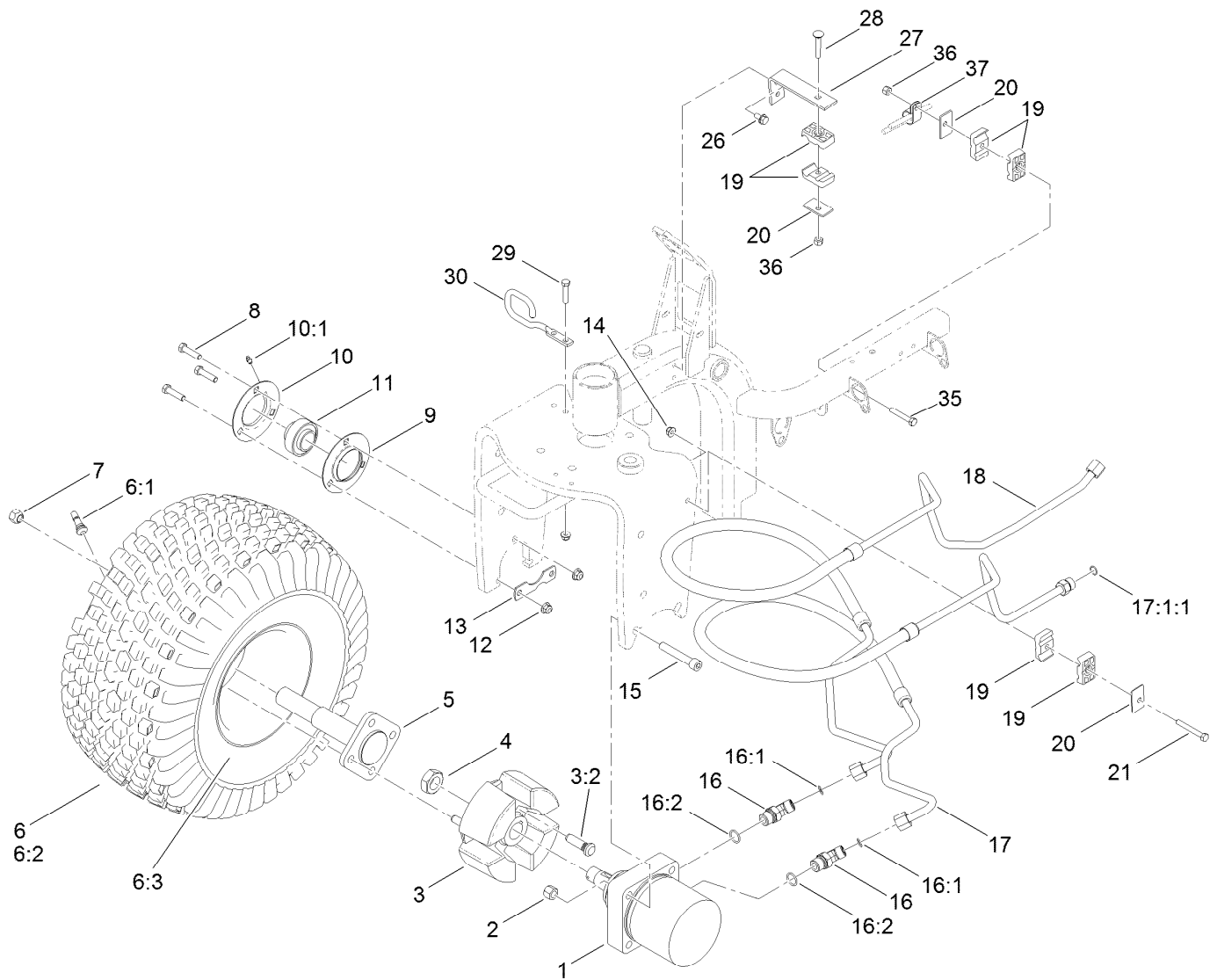
Ref.	Part Number	Qty.	Description	Ref.	Part Number	Qty.	Description
1	119-2496	1	Fuel Tank ASM	19	109-0660	1	Hose-Fuel
1:2	114-0284	1	Grommet	20	83-1390	1	Valve-Shut-Off, Fuel
1:3	114-0285	1	Valve-Rollover	21	2412-36	2	Clamp-Hose
2	116-1704	1	Cap-Fuel, Ratcheting	22	110-3371	1	Hose-Fuel
3	83-0020	1	Switch-Ignition	23	106948	1	Tray-Battery
3:1	218-461	1	Nut-HH	24	108-6898	1	Shroud-Dash
3:2	3254-5	1	Washer-Tooth, Internal	25	108-6895-01	1	Bracket-Mount, Tank
4	108-6896-03	1	Panel-Dash	27	240-11	1	Bushing-Flange
5	63-8360	2	Key-Ignition (W/Shield)	28	63-8410	1	Washer
6	32144-10	6	Screw-HWH	29	323-5	1	Screw-HH
7	99-7420	1	Plug-Hole	30	107-4543	2	Clamp
8	119-7188	1	Throttle Cable ASM	31	321-18	2	Screw-HH
9	3290-321	4	Screw-HWH	32	3296-2	4	Nut-Lock, NI
10	94-2690	1	Filter-Fuel	33	119-2483	1	Decal-Dash
11	110-3372	1	Hose-Fuel	34	108-8419	2	Decal
12	104-8162	1	Battery	35	3256-78	4	Washer-Flat
13	100-6434	1	Rod-Hold Down, Battery	36	104-7201	4	Nut-HF
14	3256-22	2	Washer-Flat	38	3229-1	2	Bolt-CARR
15	32103-22	2	Nut-Wing	40	322-3	2	Screw-HH
16	100-6435	2	Post-Battery	41	3217-6	2	Nut-Hex
18	2412-98	4	Clamp-Hose	42	92-6064	1	Clamp-R





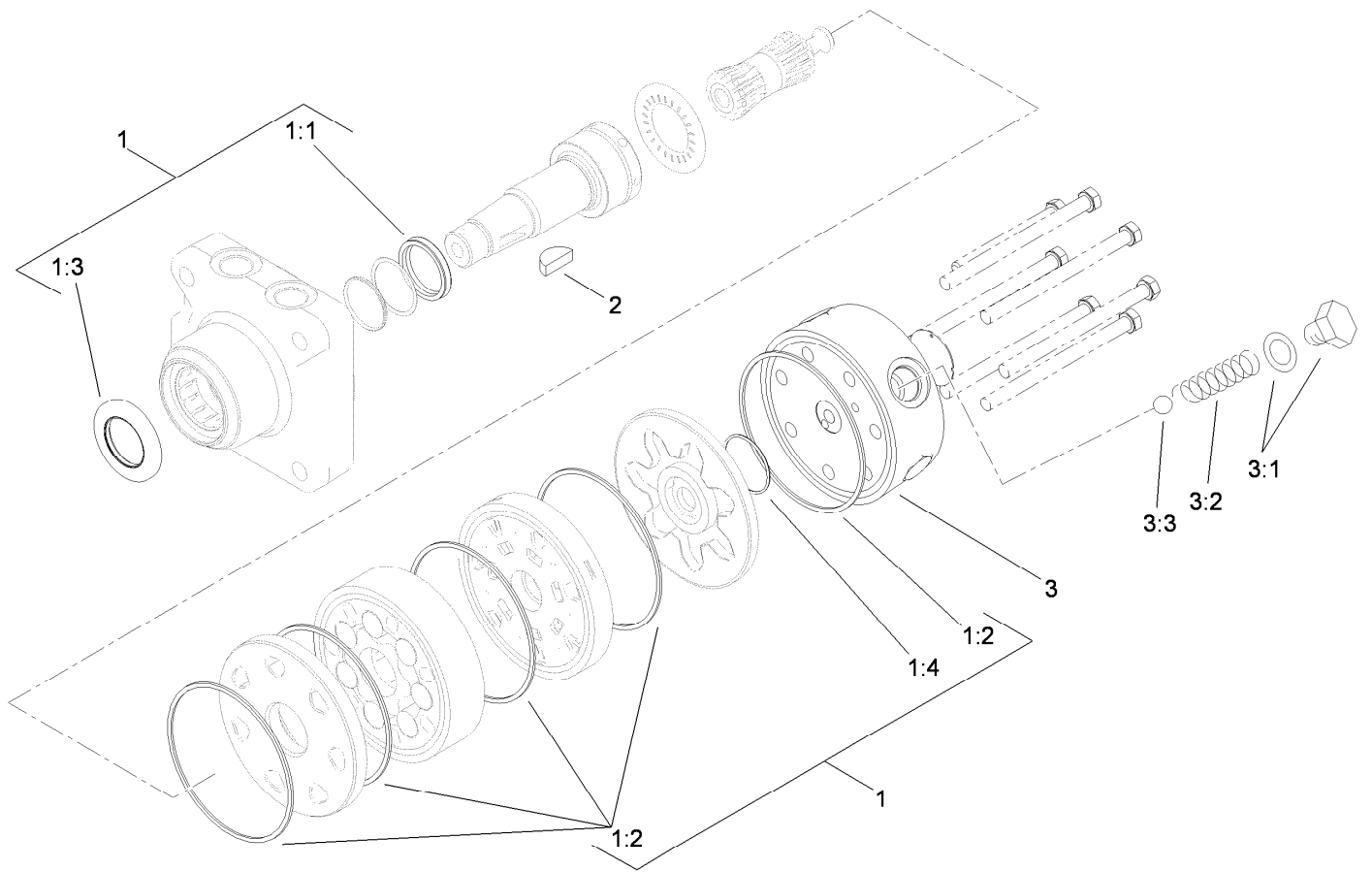
## Fuel Tank and Battery Assembly (continued)

<i>Ref.</i>	<i>Part Number</i>	<i>Qty.</i>	<i>Description</i>	<i>Ref.</i>	<i>Part Number</i>	<i>Qty.</i>	<i>Description</i>
45	117-9568	1	Hose-Vent, Tank	47	119-2494	1	Seal-Strip
46	119-7178	1	Choke Cable ASM	99	119-2484	1	Decal-Dash, C E



## Front Wheel Assembly

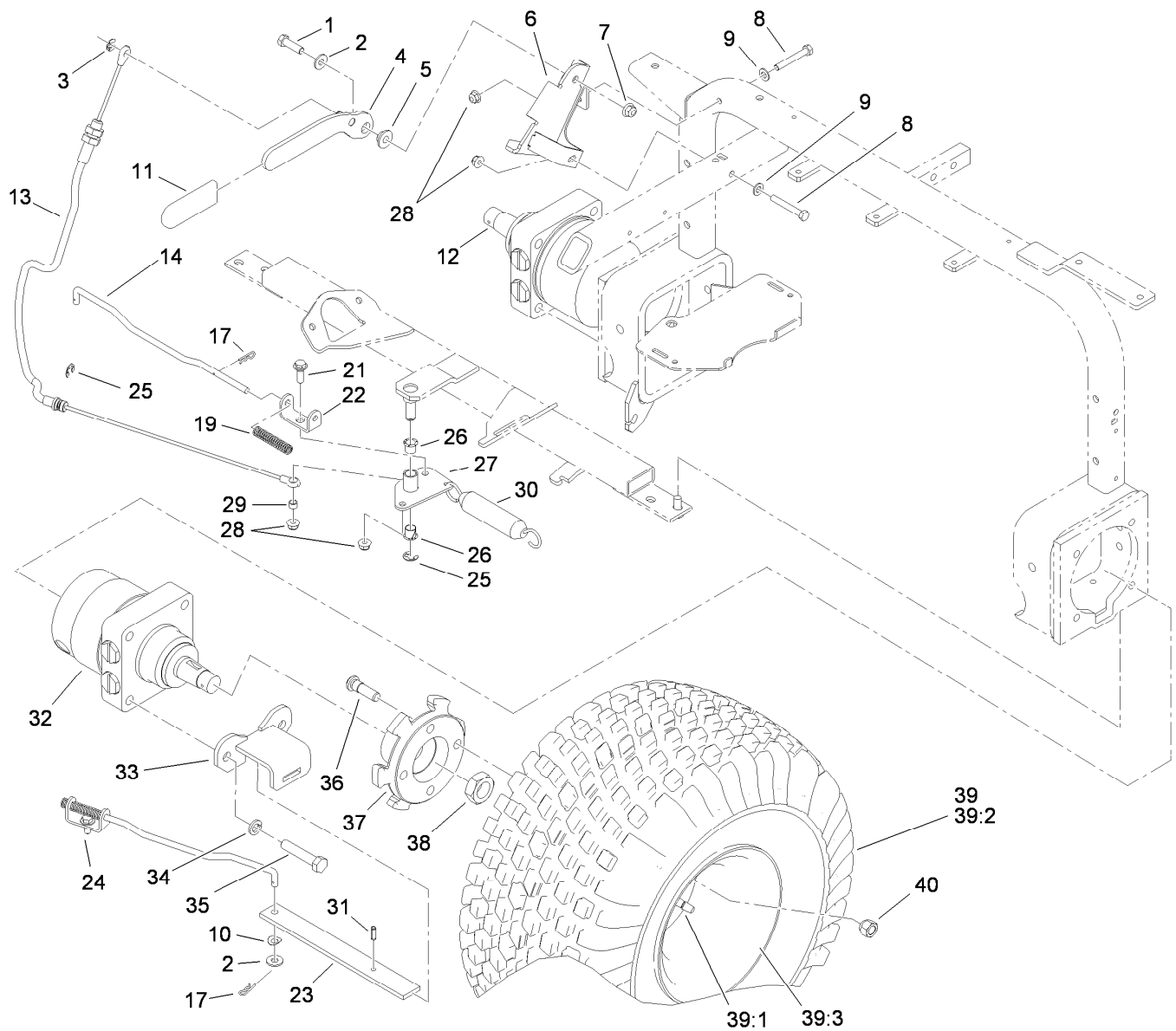
Ref.	Part Number	Qty.	Description	Ref.	Part Number	Qty.	Description
1	108-2948	1	HYD Motor ASM (CW)	15	3274-74	2	Screw-HSH
2	3296-23	2	Nut-Lock, NI	16	340-89	2	Fitting-HYD, 45 DEG
3	110-6310	1	Front Wheel Hub ASM	16:1	237-30	1	O-Ring
3:2	10-6830	4	Stud-Type, Drive	16:2	237-80	1	O-Ring
4	26-3790	1	Nut-Lock	17	119-6747	1	HYD Hose ASM
5	110-6314	1	Spindle	17:1:1	237-30	1	O-Ring
6	95-0621	1	Wheel And Tire ASM	18	119-6742	1	HYD Hose ASM
6:1	5108	1	Valve	19	56-7976	6	Clamp-Tube
6:2	85-8290	1	Tire-2Ply, Knobby	20	69-9760	3	Coverplate
6:3	94-6116	1	Wheel-Rear	21	322-12	1	Screw-HH
7	242-50	4	Nut-Lug	26	32144-14	2	Screw-HWHTF
8	323-8	3	Screw-HH	27	108-8455-01	1	Bracket-Clamp
9	85-8950	1	Flangette-Standard	28	3230-6	1	Screw-CARR
10	85-8940	1	Flangette-Relube	29	322-7	2	Screw-HH
10:1	302-5	1	Fitting-Grease	30	108-8435	1	Guide-Hose
11	251-352	1	Bearing	35	322-10	1	Screw-HH
12	104-8301	3	Nut-Flange, NI	36	3296-29	2	Nut-Lock, NI
13	88-8350	1	Tab-Bearing	37	2412-41	1	Clamp
14	104-8300	3	Nut-Flange, NI				



## Hydraulic Motor Assembly No. 108-2948

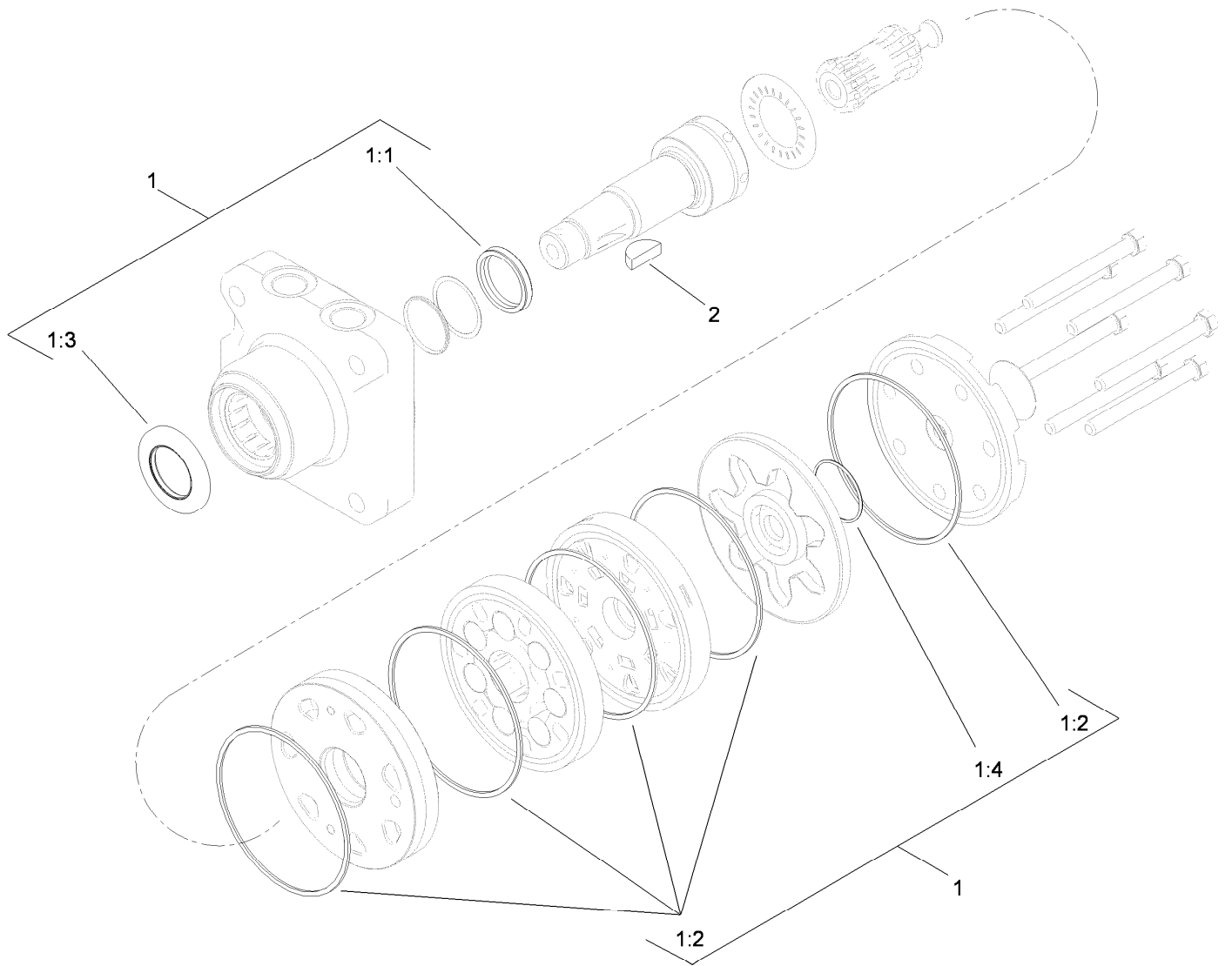
<i>Ref.</i>	<i>Part Number</i>	<i>Qty.</i>	<i>Description</i>
1	110-6459	1	Seal Kit
1:1		1	Seal-Shaft ●
1:2		5	Seal-Body ●
1:3		1	Seal-Dirt / Water ●
1:4		1	Seal-Commutator ●
2	3257-42	1	Key-Woodruff
3	99-3538	1	End Cover ASM
3:1		1	Spring Cap And O-Ring ASM ●
3:2	99-3541	1	Spring
3:3	99-3540	1	Ball

● Not serviced separately



## Rear Wheel Assembly

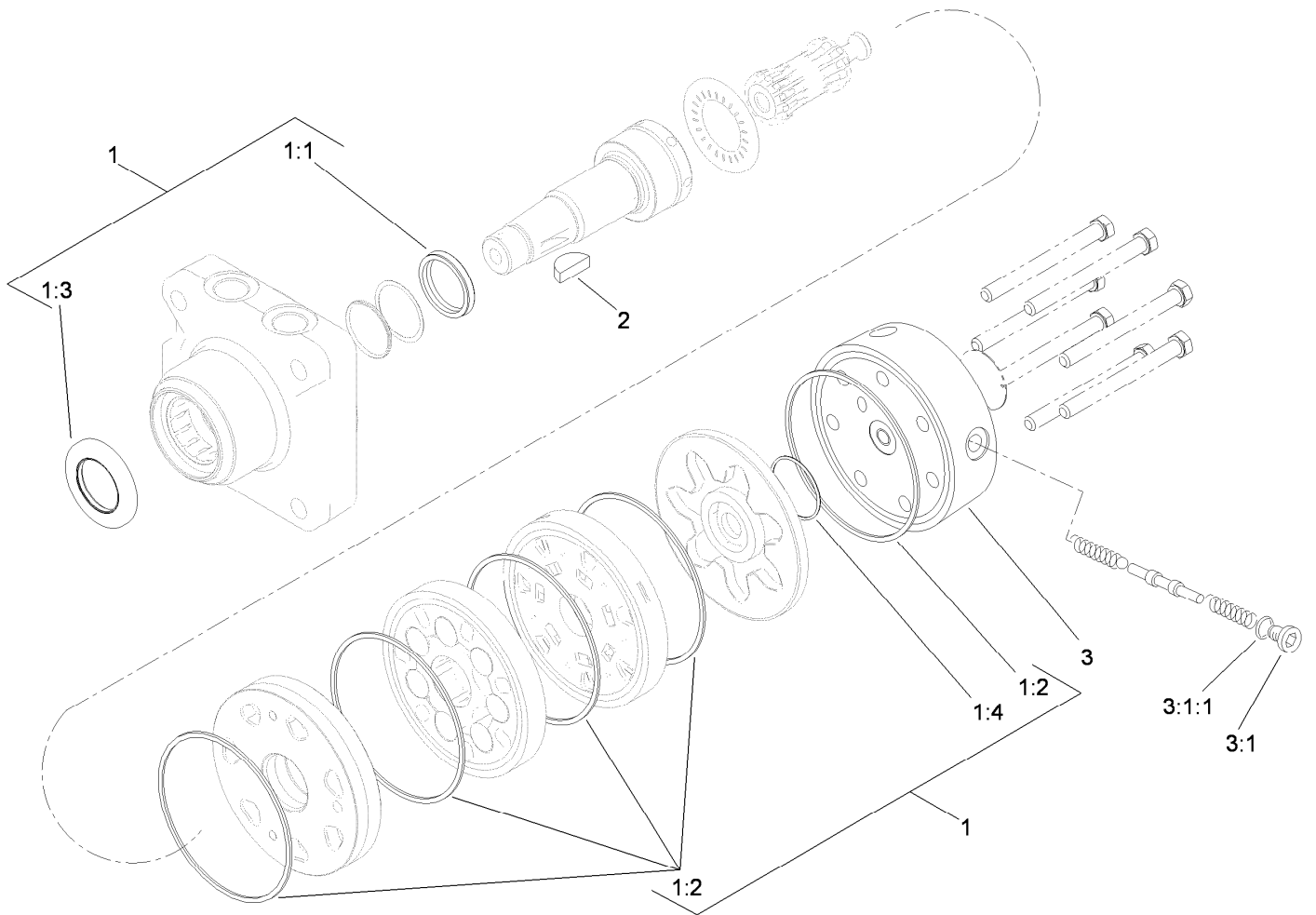
Ref.	Part Number	Qty.	Description	Ref.	Part Number	Qty.	Description
1	323-7	1	Screw-HH	25	32120-47	2	Ring-Retaining, External
2	3256-3	3	Washer-Flat	26	256-257	2	Bushing-Nyliner
3	32151-47	1	Ring-Retaining	27	108-7979-03	1	Bellcrank ASM
4	108-7991-03	1	Brake Lever ASM	28	104-8300	4	Nut-Flange, NI
5	108-7994	1	Bushing-Pivot, Lever	29	108-7983	1	Bushing-Cable
6	121-2520	1	Brake Lever Bracket ASM	30	66-4270	1	Spring-Extension
7	104-8301	1	Nut-Flange, NI	31	32121-11	2	Pin-Roll
8	322-11	2	Screw-HH	32	108-2947	1	HYD Motor ASM (CCW)
9	3256-23	2	Washer-Flat	33	108-7973-03	2	Brake Bracket ASM
10	3290-301	2	Washer-Spring	34	3253-7	8	Washer-Lock
11	21-1880	1	Grip-Handle	35	325-10	8	Screw-HH
12	108-2949	1	HYD Motor ASM (CW)	36	85-6540	8	Stud-Drive
13	108-7913	1	Cable-Brake, Park	37	108-7977-03	2	Hub-Wheel
14	108-7987	2	Link-Latch, Parking	38	26-3790	2	Nut-Lock
17	3290-307	4	Pin-Hair	39	95-0621	2	Wheel And Tire ASM
19	107-3376	2	Spring-Compression	39:1	5108	1	Valve
21	19-1471	1	Screw-Shoulder	39:2	85-8290	1	Tire-2Ply, Knobby
22	114-0631	2	Clevis-Latch, Parking	39:3	94-6116	1	Wheel-Rear
23	108-7986-03	2	Bar-Brake	40	242-50	8	Nut-Lug
24	19-1470	1	Screw-Shoulder				



## Hydraulic Motor Assembly No. 108-2949

<i>Ref.</i>	<i>Part Number</i>	<i>Qty.</i>	<i>Description</i>
1	110-6459	1	Seal Kit
1:1		1	Seal-Shaft ●
1:2		5	Seal-Body ●
1:3		1	Seal-Dirt / Water ●
1:4		1	Seal-Commutator ●
2	3257-42	1	Key-Woodruff

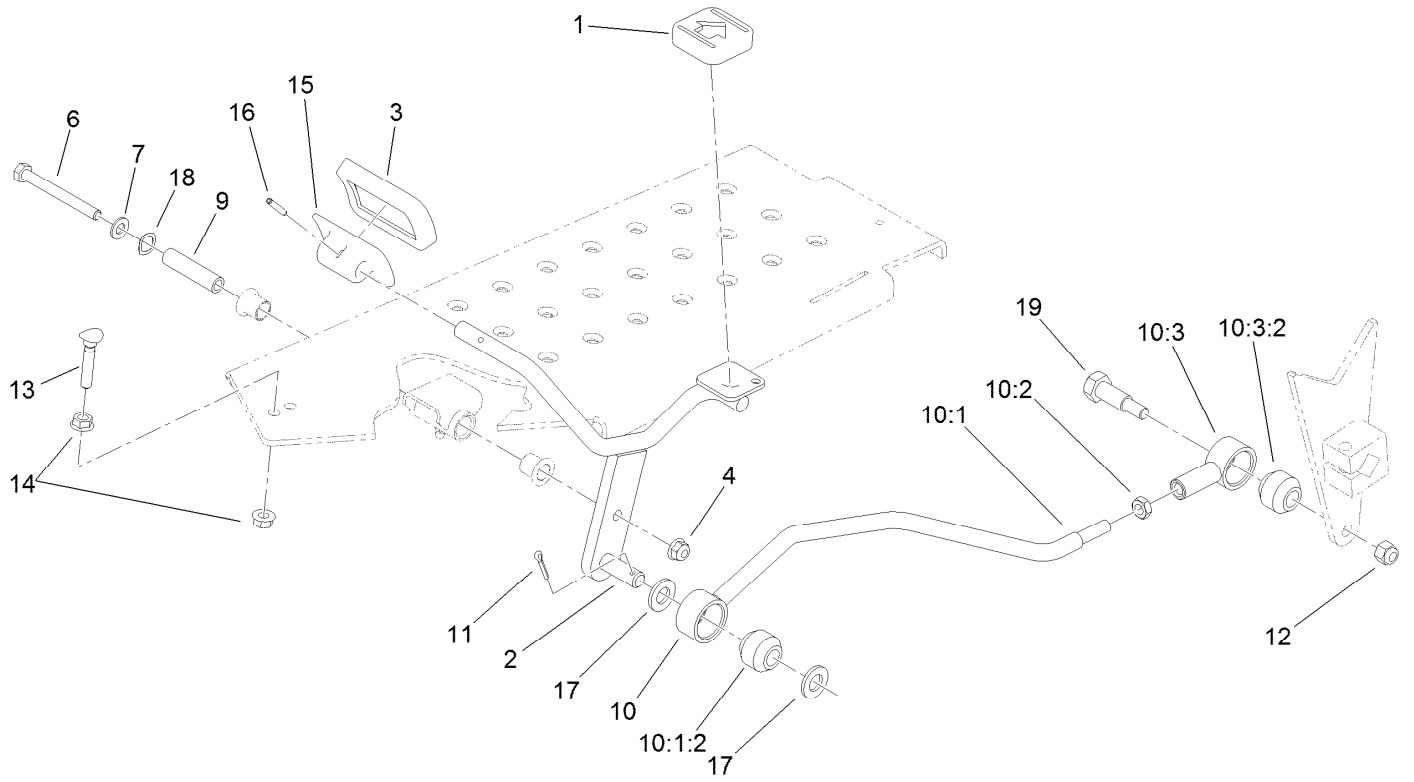
● Not serviced separately



## Hydraulic Motor Assembly No. 108-2947

Ref.	Part Number	Qty.	Description
1	110-6459	1	Seal Kit
1:1		1	Seal-Shaft ●
1:2		5	Seal-Body ●
1:3		1	Seal-Dirt / Water ●
1:4		1	Seal-Commutator ●
2	3257-42	1	Key-Woodruff
3	110-3381	1	End Cover ASM
3:1	353-990	1	Plug
3:1:1	237-78	1	O-Ring

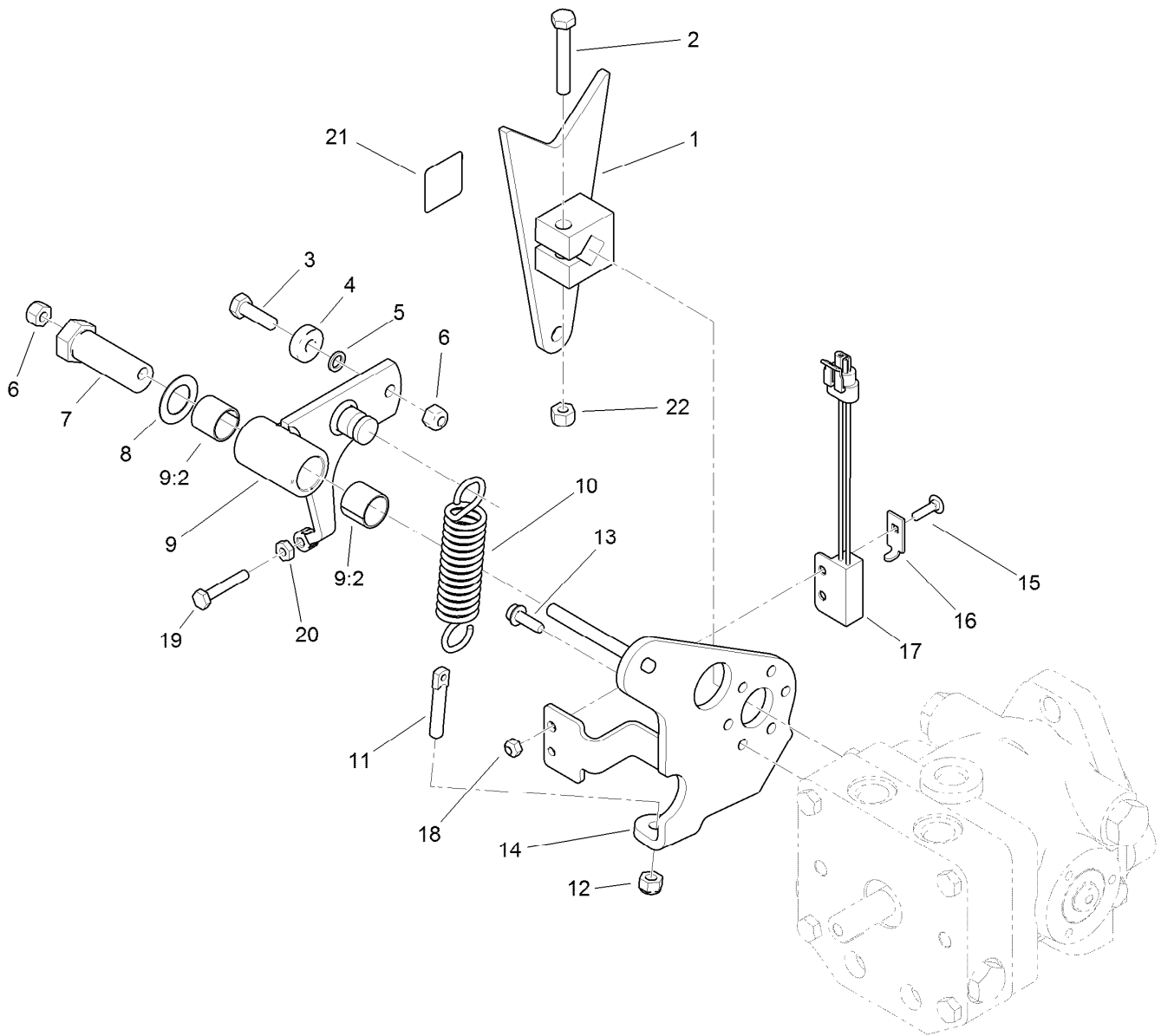
● Not serviced separately



## Traction Pedal Assembly

Ref.	Part Number	Qty.	Description	Ref.	Part Number	Qty.	Description
1	74-9110	1	Pad-Pedal, Reverse	10:3	115-5623	1	Isolated Rod End ASM
2	108-5498-01	1	Pedal ASM	10:3:2	23-2270	1	Bushing-Rubber
3	74-9100	1	Pad-Pedal, Forward	11	3272-10	1	Pin-Cotter
4	104-8300	1	Nut-Flange, NI	12	3296-39	1	Nut-Lock, NI
6	322-14	1	Screw-HH	13	17-9420	1	Screw-Handle
7	3256-23	1	Washer-Flat	14	32128-20	2	Nut-HF
9	85-8960	1	Spacer	15	117-9507	1	Pedal-Accelerator
10		1	Traction Rod ASM ●	16	32121-45	1	Pin-Spring
10:1	115-5626	1	Rod ASM	17	106-9888	2	Washer-Flat
10:1:2	23-2270	1	Bushing-Rubber	18	108473	1	Washer-Wave
10:2	3220-3	1	Nut-HJ	19	117-4698	1	Screw-Shoulder, HH

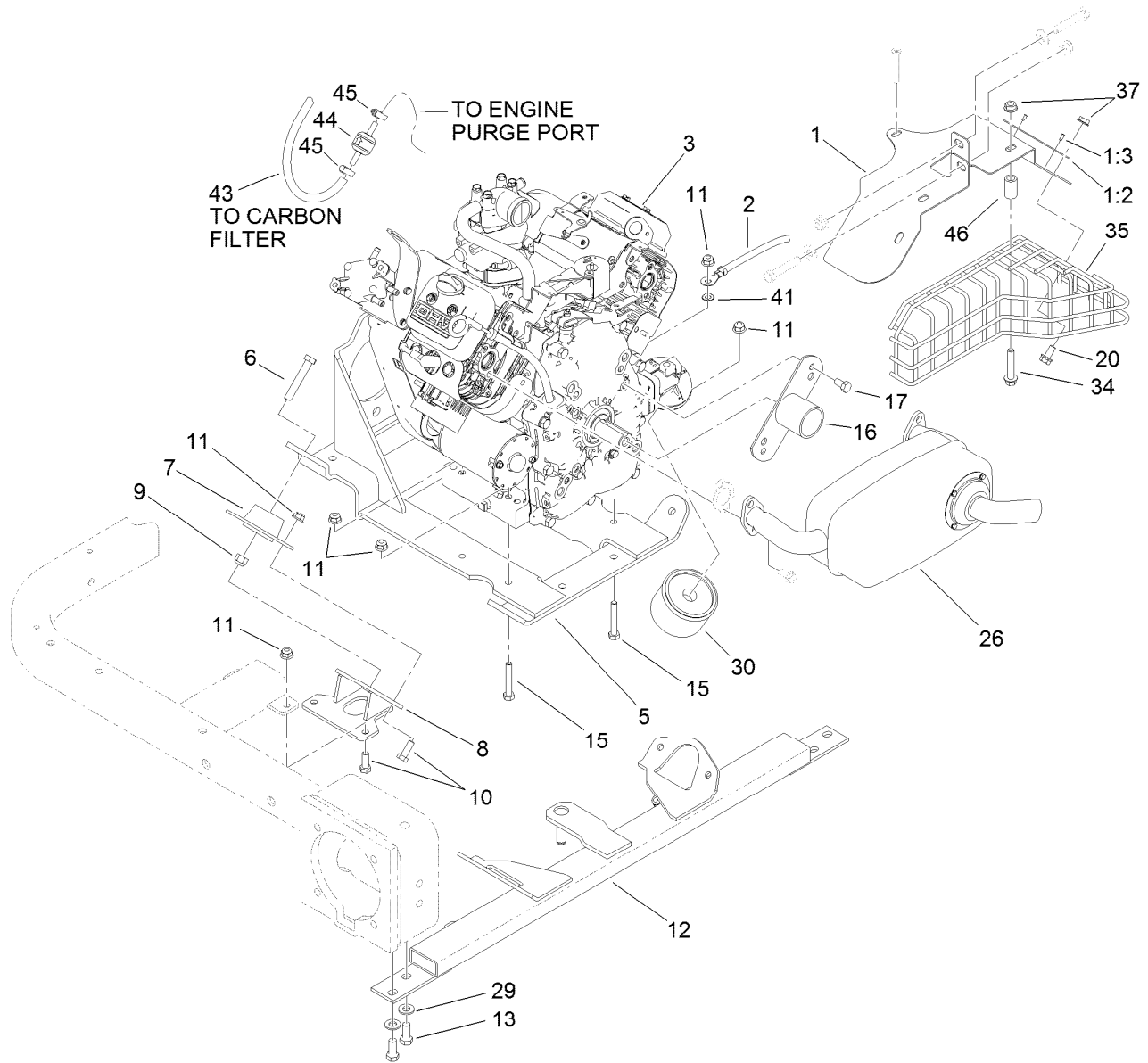
● Not serviced separately



## Pump Control Lever Assembly

<i>Ref.</i>	<i>Part Number</i>	<i>Qty.</i>	<i>Description</i>	<i>Ref.</i>	<i>Part Number</i>	<i>Qty.</i>	<i>Description</i>
1	112-6458-03	1	Pump Lever ASM	12	3296-4	1	Nut-Lock
2	323-11	1	Screw-HH	13	49-2040	3	Screw-HWHTF
3	322-5	1	Screw-HH	14	108-5490-03	1	Pump Plate ASM
4	251-307	1	Bearing-Ball	15	3229-20	1	Screw-CARR
5	75-5470	1	Spacer-Bearing	16	100-4872	1	Plate-Switch, Neutral
6	3296-29	2	Nut-Lock, NI	17	105-0023	1	Switch-Proximity
7	76-8640	1	Stud-Traction	18	3296-2	1	Nut-Lock, NI
8	3-6498	1	Washer-Thrust	19	321-43	1	Capscrew
9	119-7196	1	Arm ASM	20	3218-1	1	Nut-Jam
9:2	94-9609	2	Bushing-Straight	21	93-9051	1	Decal-Bolt, Eccentric
10	85-9030	1	Spring-Extension	22	3296-39	1	Nut-Lock, NI
11	18-6380	1	Pin-Adjustment, Steering				

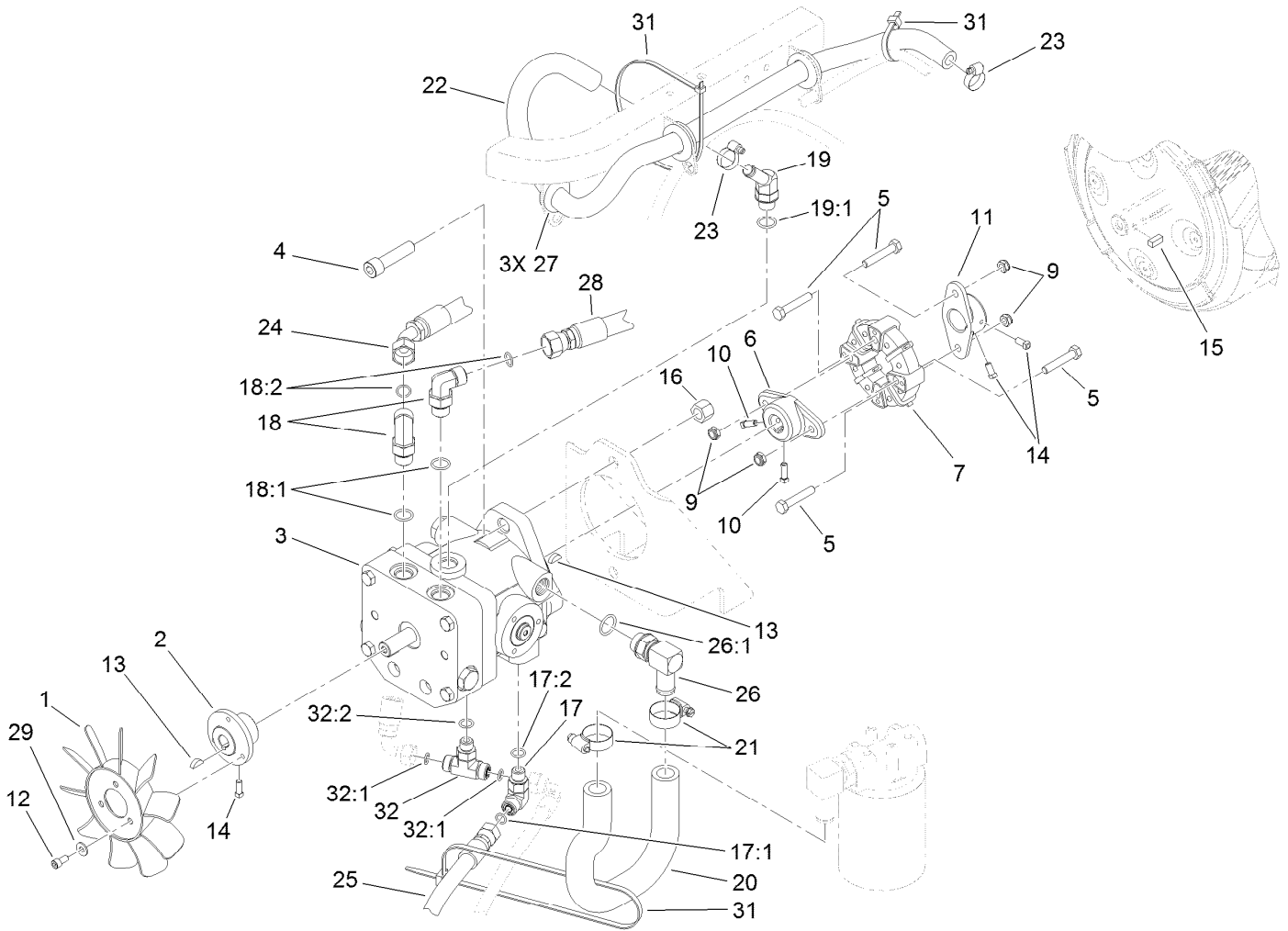




## Engine Installation Assembly

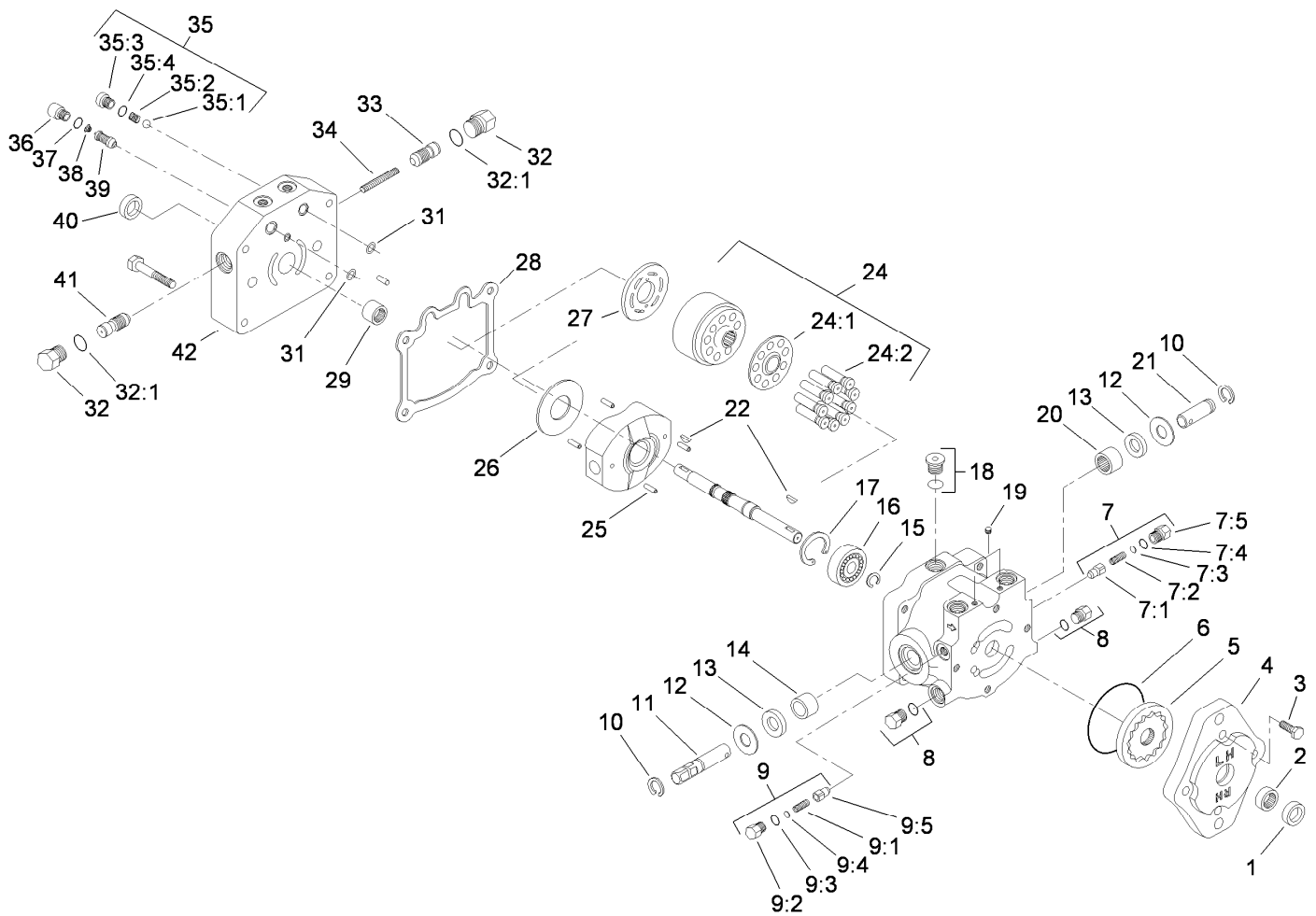
Ref.	Part Number	Qty.	Description	Ref.	Part Number	Qty.	Description
1	119-7191	1	Muffler Shield ASM	15	322-10	4	Screw-HH
1:2	95-0645	1	Plate-Surface, Hot	16	95-0632-03	1	Cover ASM
1:3	3269-32	2	Rivet-Pop	17	3210-2	2	Screw-HH
2	54-3093	1	Cable-Battery, Negative	20	94-5780	2	Screw-HWH
3	120-3403	1	Engine-Briggs, 356447-0304-G2 ●	26	120-3476	1	Muffler-Dual Inlet
5	108-2809-03	1	Engine Support ASM	29	3256-24	4	Washer-Flat
6	323-11	4	Screw-HH	30	107-7817	1	Filter-Oil, Engine
7	83-1030	4	Mount-Engine	34	3234-14	2	Screw-HHF
8	108-8474-01	2	Front Mount ASM	35	110-6348-03	1	Shield-Exhaust
9	104-8301	4	Nut-Flange, NI	37	32128-25	4	Nut-HF
10	322-4	12	Screw-HH	41	3255-8	1	Washer-Lock
11	104-8300	16	Nut-Flange, NI	43	117-9569	1	Hose-Fuel
12	120-3461-01	1	Engine Mount ASM	44	115-7868	1	Valve-Check, Vacuum
13	323-5	4	Screw-HH	45	2412-108	2	Clamp-Worm
				46	59-2580	2	Spacer-Tubular

● Obtain parts from [www.briggsandstratton.com](http://www.briggsandstratton.com)



## Pump and Coupling Assembly

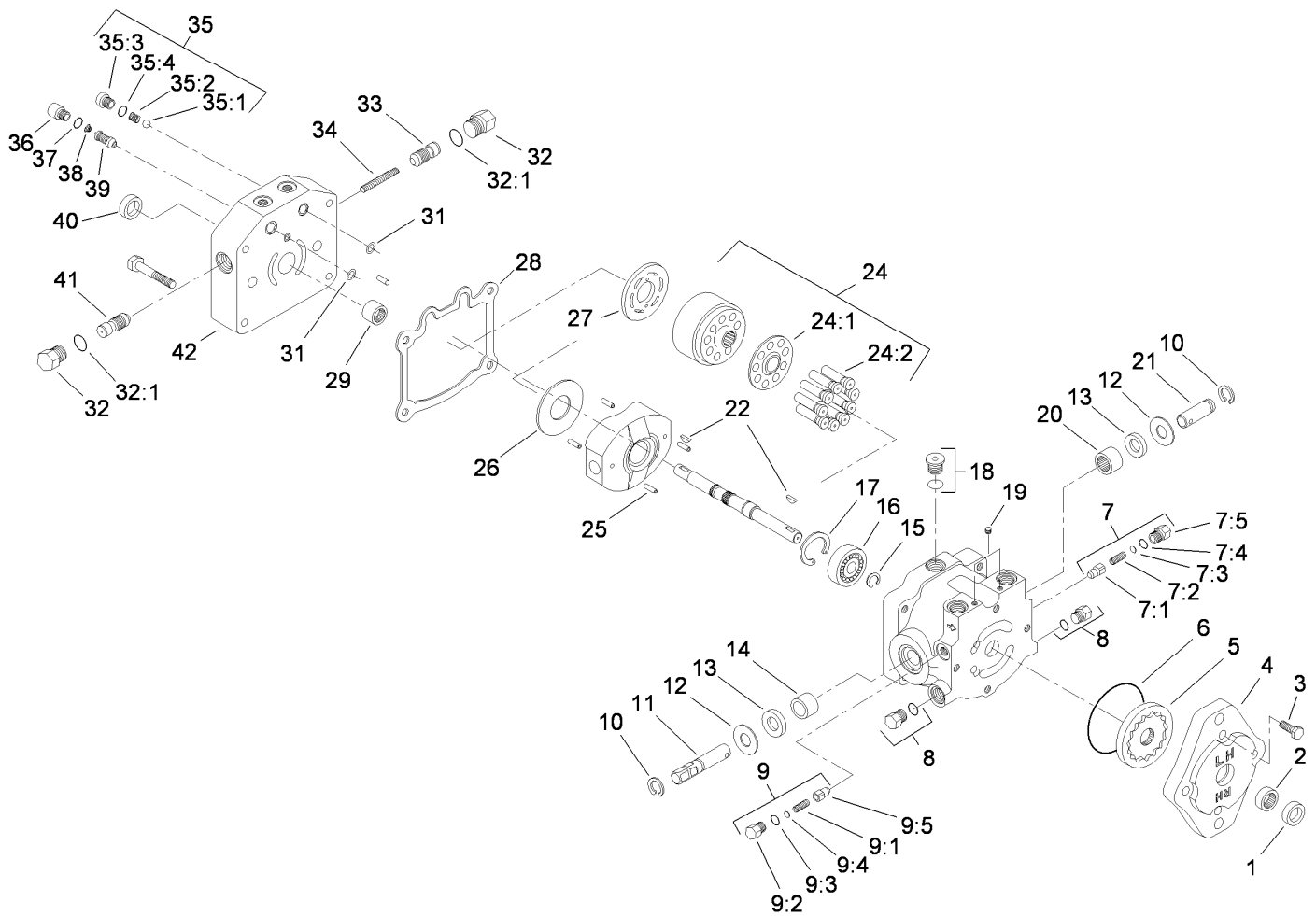
Ref.	Part Number	Qty.	Description	Ref.	Part Number	Qty.	Description
1	1-633869	1	Fan-Pump, Cooling	18:1	237-79	1	O-Ring
2	108-5484	1	Hub-Fan	18:2	237-30	1	O-Ring
3	114-0612	1	Variable Piston Pump ASM	19	354-126	1	Fitting-HYD, 45 DEG
4	3274-5	2	Screw-HSH	19:1	237-79	1	O-Ring
5	322-9	4	Screw-HH	20	108-5481	1	Hose-Suction
6	110-9695	1	Hub-Pump	21	2412-129	2	Clamp-Hose
7	119-0652	1	Coupler-Rubber	22	110-1325	1	Hose-Return
9	3296-47	4	Nut-Lock, NI	23	2412-36	2	Clamp-Hose
10	3241-6	2	Screw-SQH	24	108-8440	1	Hose ASM
11	110-5236	1	Hub-Engine	25	108-8428	1	HYD Hose ASM
12	3274-52	3	Screw-HSH	26	87-8170	1	Fitting
13	3257-32	2	Key-Woodruff	26:1	237-80	1	O-Ring
14	3241-7	4	Screw-SQH	27	240-4	3	Grommet-Rubber
15	85-9020	1	Key-Square	28	110-1322	1	HYD Hose ASM
16	3296-23	2	Nut-Lock, NI	29	3256-22	3	Washer-Flat
17	340-77	1	Fitting-HYD, 90 DEG	31	3290-379	4	Tie-Cable
17:1	237-22	1	O-Ring	32	340-94	1	Adapter
17:2	237-42	1	O-Ring	32:1	237-22	2	O-Ring
18	340-98	2	Fitting-HYD, 90 DEG	32:2	237-42	1	O-Ring



## Variable Piston Pump Assembly No. 114-0612

Ref.	Part Number	Qty.	Description	Ref.	Part Number	Qty.	Description
1	93-4133	1	Seal-Lip	9:5	83-7260	1	Cone-Relief, Charge
2	67-8050	1	Bearing-Needle	10	32151-46	2	Ring-Retaining
3	322-4	4	Screw-HH	11	88-8180	1	Shaft-Trunnion
4	114-0611	1	Housing-Pump, Charge	12	25-2510	2	Washer-Flat
5	95-5812	1	Gerotor ASM	13	25-3210	2	Seal-Lip
6	237-95	1	O-Ring	14	88-8190	1	Bearing-Journal
7	49-8520	1	Implement Relief Kit	15	32151-83	1	Ring-Snap
7:1	83-7260	1	Cone-Relief, Charge	16	95-5809	1	Bearing-Ball
7:2	25-2570	1	Spring-Valve	17	32151-75	1	Ring-Retaining
7:3	25-2470	1	Pack-Shim	18	67-9090	1	Plug ASM
7:4	237-86	1	O-Ring	19	75-0160	1	Plug-Pipe
7:5	25-2460	1	Plug-HH	20	252-82	1	Bearing-Needle
8	67-8030	2	Plug ASM	21	25-2500	1	Shaft-Trunnion
9	49-8510	1	Valve Kit	22	3257-32	2	Key-Woodruff
9:1	25-2480	1	Spring-Valve	24	48-1800	1	Cylinder Block Kit
9:2	25-2460	1	Plug-HH	24:1		1	Retainer-Slipper ●
9:3	237-86	1	O-Ring	24:2		9	Piston ASM ●
9:4	25-2470	1	Pack-Shim	25	32121-91	4	Pin-Spring

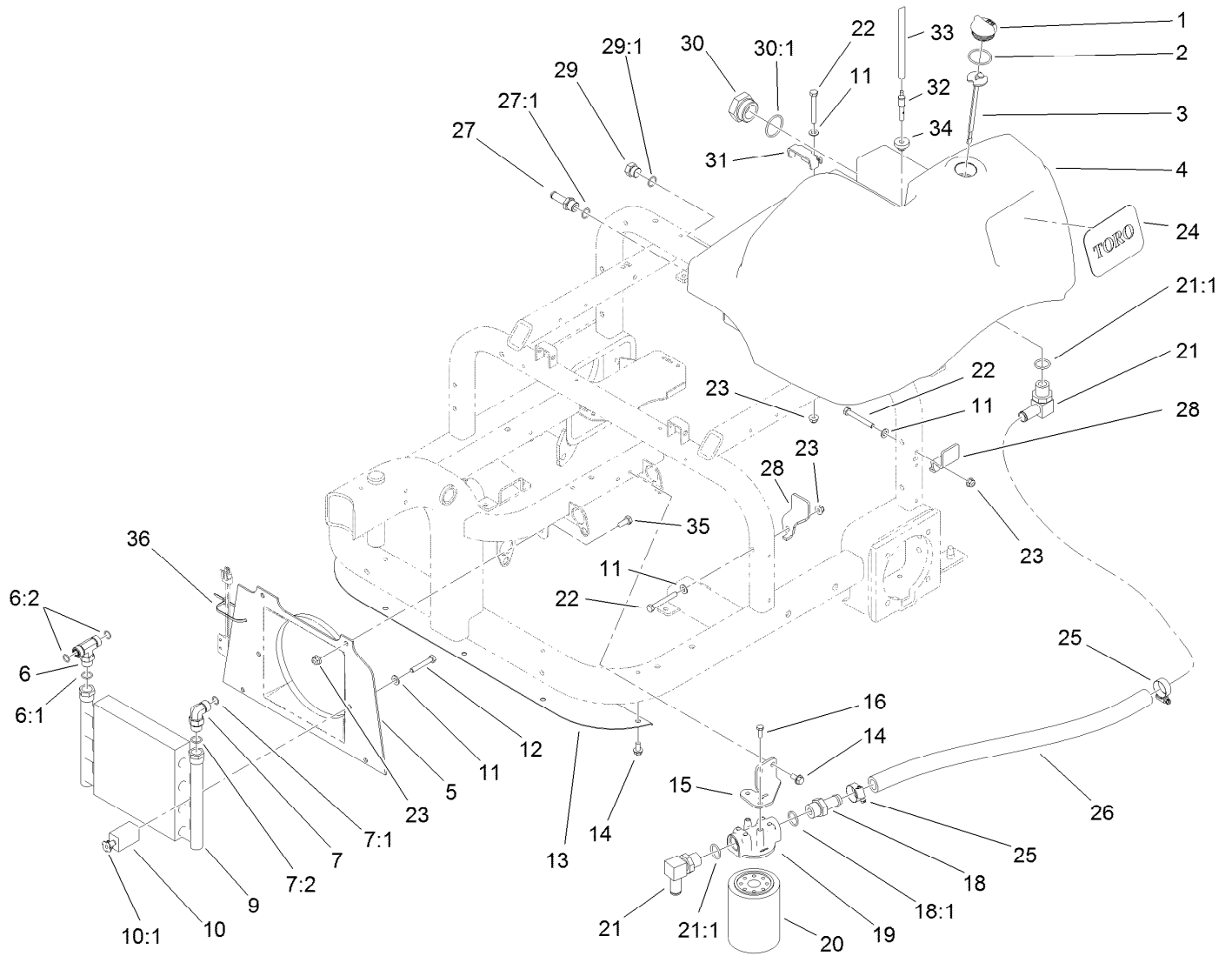
● Not serviced separately



## Variable Piston Pump Assembly No. 114-0612 (continued)

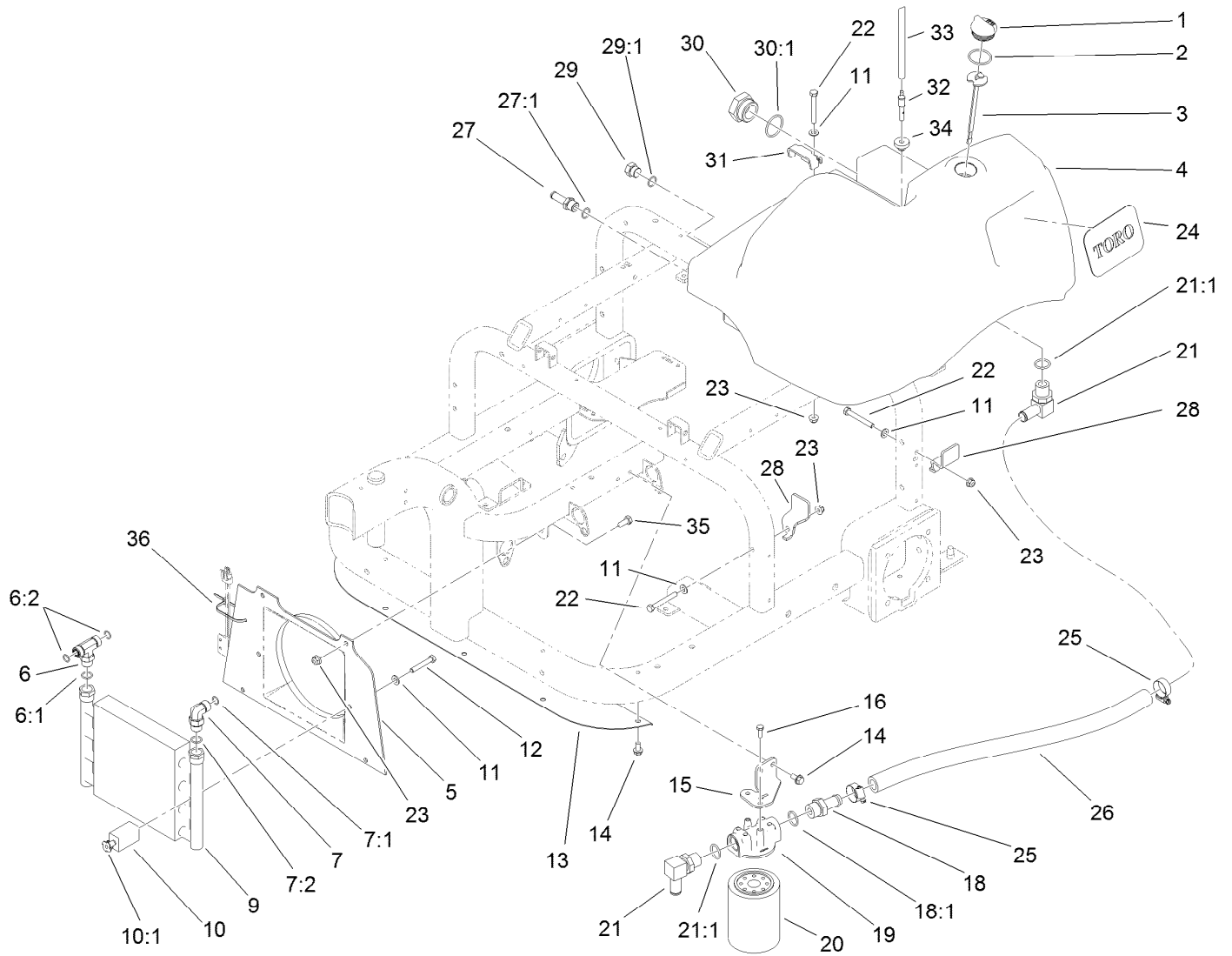
Ref.	Part Number	Qty.	Description	Ref.	Part Number	Qty.	Description
26	25-2380	1	Plate-Thrust	35:2	25-2640	1	Spring-Valve
27	88-8160	1	Plate-Valve	35:3	25-2650	1	Plug-Valve, Check
28	25-2400	1	Gasket	35:4	237-86	1	O-Ring
29	110-6341	1	Bearing-Roller	36	75-0190	1	Plug-Special
31	112-7652	2	O-Ring	37	75-0240	1	O-Ring
32	28-3440	1	Plug-Threaded	38	110-6342	1	Spring
32:1	75-0240	1	O-Ring	39	110-6343	1	Valve-Scr
33	98-0920	1	Valve-Acceleration	40	88-8230	1	Seal-Lip
34	25-2610	1	Spring-Valve	41	98-0920	1	Valve-Acceleration
35	99-5689	1	Check Valve Kit	42	112-7651	1	Cap-End
35:1	25-2490	1	Ball				

● Not serviced separately



## Hydraulic Tank, Filter and Cooler Assembly

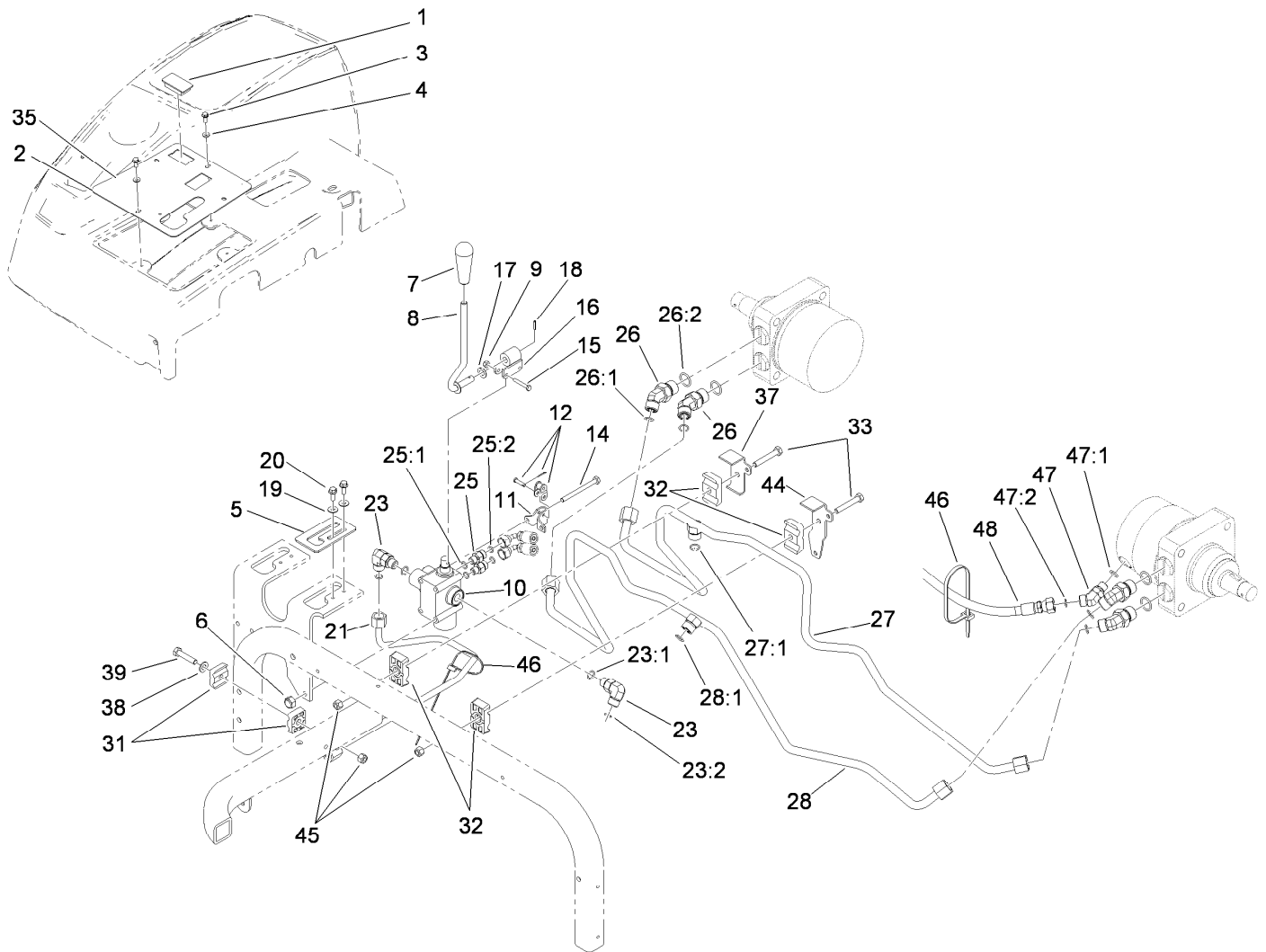
Ref.	Part Number	Qty.	Description	Ref.	Part Number	Qty.	Description
1	93-7498	1	Plug-Plastic	18:1	237-81	1	O-Ring
2	237-101	1	O-Ring	19	68-8990	1	Filter Head ASM
3	108-7996	1	Dipstick ASM	20	54-0110	1	Filter-Oil, Transmission
4	119-9040	1	Tank-Hydraulic	21	353-987	2	Fitting-HYD, 90 DEG (Barbed)
5	108-5477	1	Shroud-Fan	21:1	237-81	1	O-Ring
6	340-157	1	Fitting-HYD, Tee	22	322-12	5	Screw-HH
6:1	237-79	1	O-Ring	23	104-8300	9	Nut-Flange, NI
6:2	237-30	2	O-Ring	24	108-8452	1	Decal-Logo
7	340-98	1	Fitting-HYD, 90 DEG	25	2412-129	2	Clamp-Hose
7:1	237-79	1	O-Ring	26	108-5483	1	Hose-Suction, Tank
7:2	237-30	1	O-Ring	27	354-121	1	Fitting-Straight
9	108-8457	1	Cooler-Oil	27:1	237-79	1	O-Ring
10	85-9550	2	Rubber Clamp ASM	28	108-7965	2	Clamp-Tank, HYD
10:1	85-9670	1	T-Nut	29	353-550	1	Plug-HYD, HH
11	3256-23	7	Washer-Flat	29:1	237-79	1	O-Ring
12	322-11	2	Screw-HH	30	108-8468	1	Plug-HH
13	108-5480-03	1	Panel-Cooler	30:1	237-101	1	O-Ring
14	32144-14	7	Screw-HWHTF	31	108-7903	1	Clamp-Tank
15	108-5482	1	Bracket-Filter, Oil	32	110-1372	1	Fitting-Vent, Tank
16	3234-4	2	Screw-HHF	33	110-8181	1	Hose-Fuel
18	354-73	1	Fitting-Straight				



## Hydraulic Tank, Filter and Cooler Assembly (continued)

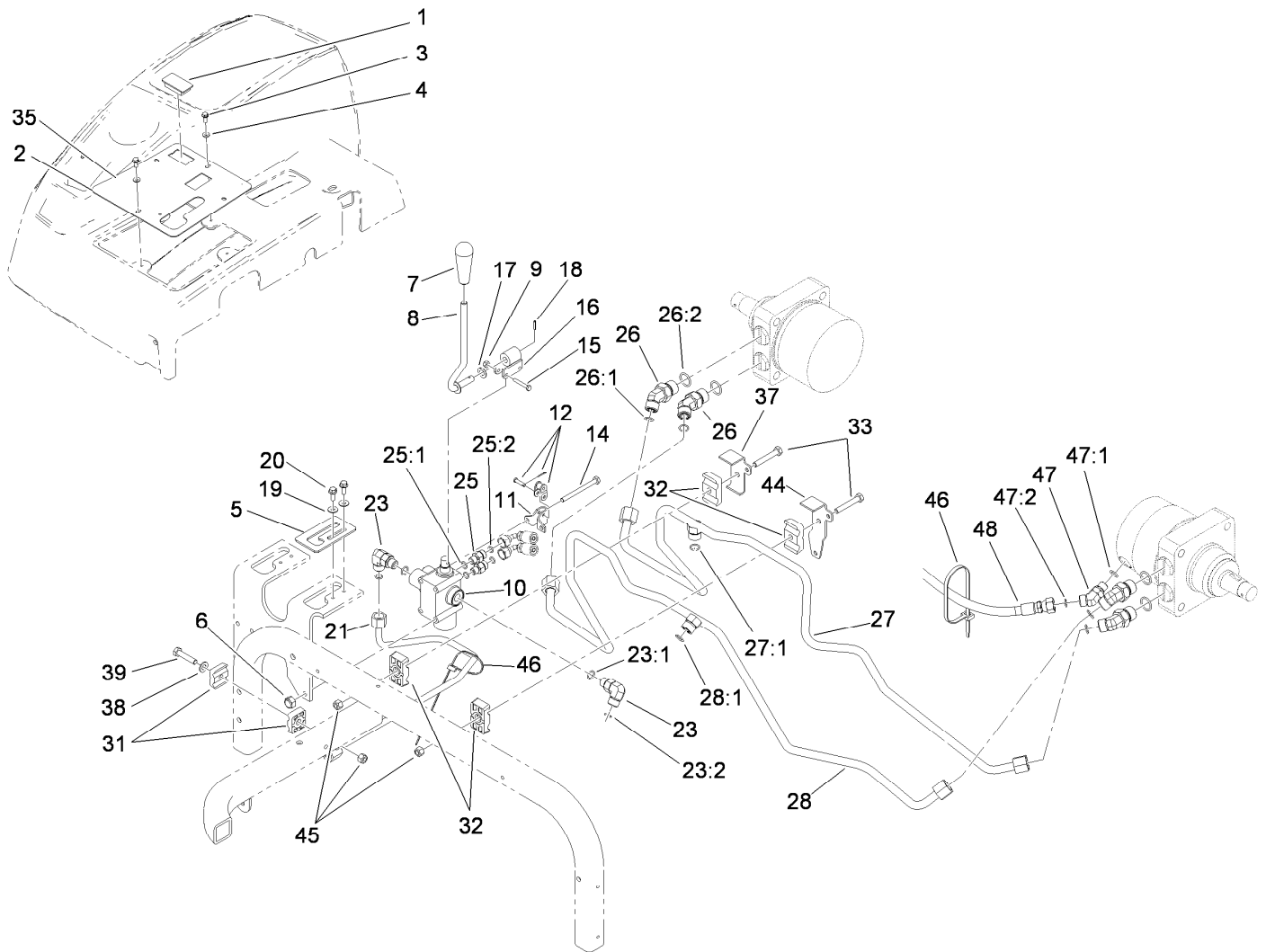
Ref.	Part Number	Qty.	Description
34	46-6560	1	Bushing

Ref.	Part Number	Qty.	Description
35	322-3	4	Screw-HH
36	3290-379	1	Tie-Cable



## Lift Valve and Rear Tube Assembly

Ref.	Part Number	Qty.	Description	Ref.	Part Number	Qty.	Description
1	99-7420	1	Plug-Hole	23:1	237-22	1	O-Ring
2	108-7909-03	1	Panel-Control	23:2	237-42	1	O-Ring
3	3290-321	4	Screw-HWH	25	340-92	2	Fitting-HYD, Straight
4	3256-51	4	Washer-Flat	25:1	237-78	1	O-Ring
5	108-7941	1	Plate-Guide, Lever	25:2	237-21	1	O-Ring
6	3296-42	3	Nut-Lock, NI	26	340-89	4	Fitting-HYD, 45 DEG
7	98-0152	1	Knob-Tapered	26:1	237-30	1	O-Ring
8	108-7942	1	Rear Lever ASM	26:2	237-80	1	O-Ring
9	3296-2	2	Nut-Lock, NI	27	108-8406	1	Tube ASM
10	121-9070	1	Valve ASM	27:1	237-30	1	O-Ring
11	88-8480	1	Bracket-Pivot	28	110-1323	1	Tube ASM
12	2710-20	1	Link-Offset	28:1	237-30	1	O-Ring
14	321-23	3	Screw-HH	31	56-7973	2	Clamp-Tube
15	3290-360	2	Screw-HH	32	56-7976	4	Clamp-Tube
16	98-8159	1	Pivot	33	322-10	2	Screw-HH
17	3290-477	1	Washer-Curved	35	108-8484	1	Decal-Lift, Rear
18	32121-73	1	Pin-Roll	37	110-1333	1	Bracket-Clamp
19	3256-1	2	Washer-Flat	38	3256-23	1	Washer-Flat
20	3234-33	2	Screw-HHF	39	322-7	1	Screw-HH
21	108-8416	1	Tube ASM	44	110-1332	1	Bracket-Clamp
23	340-77	2	Fitting-HYD, 90 DEG	45	3296-29	3	Nut-Lock, NI

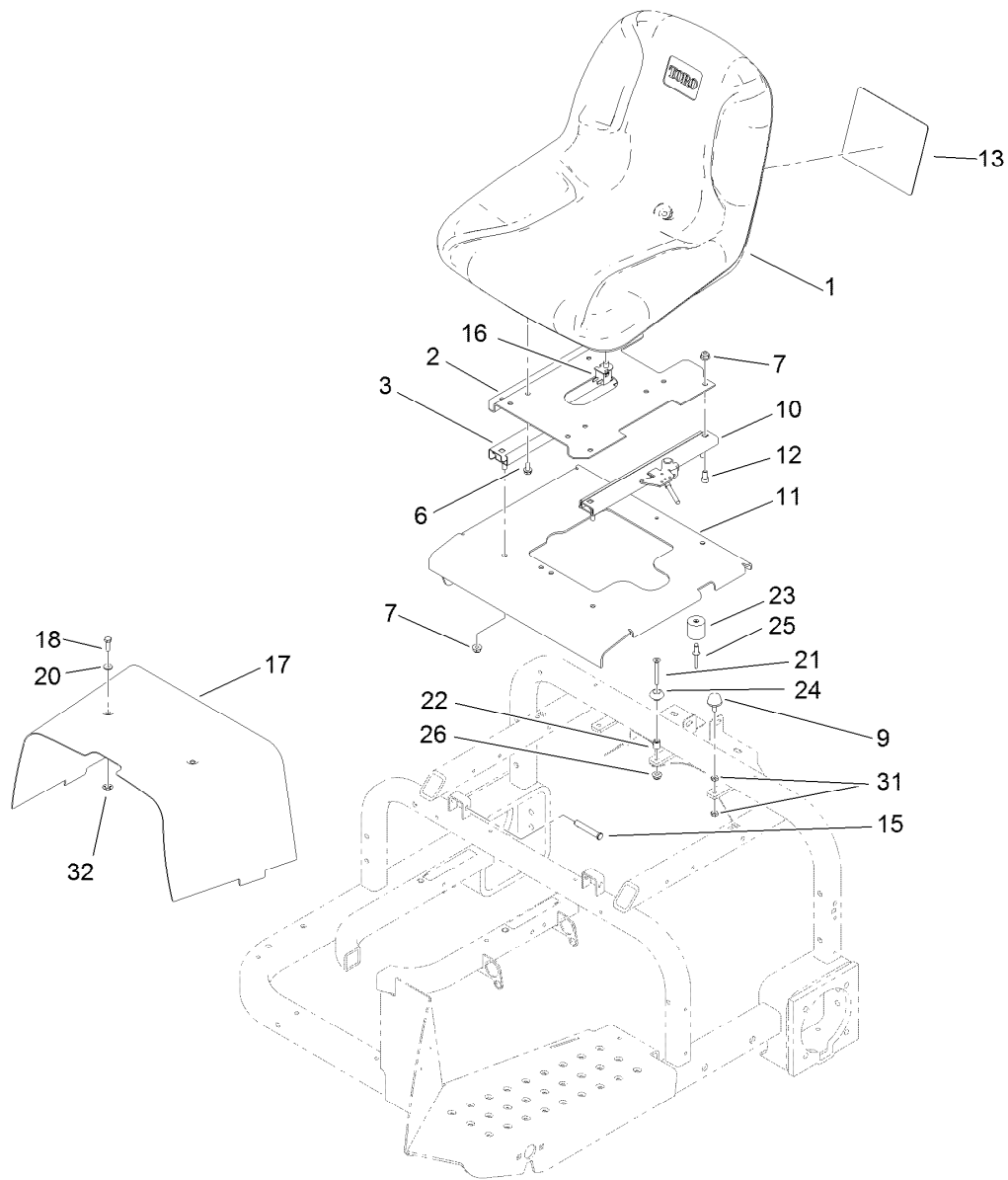


## Lift Valve and Rear Tube Assembly (continued)

<i>Ref.</i>	<i>Part Number</i>	<i>Qty.</i>	<i>Description</i>
46	3290-378	2	Tie-Cable
47	340-87	1	Fitting-HYD, 45 DEG
47:1	237-22	1	O-Ring

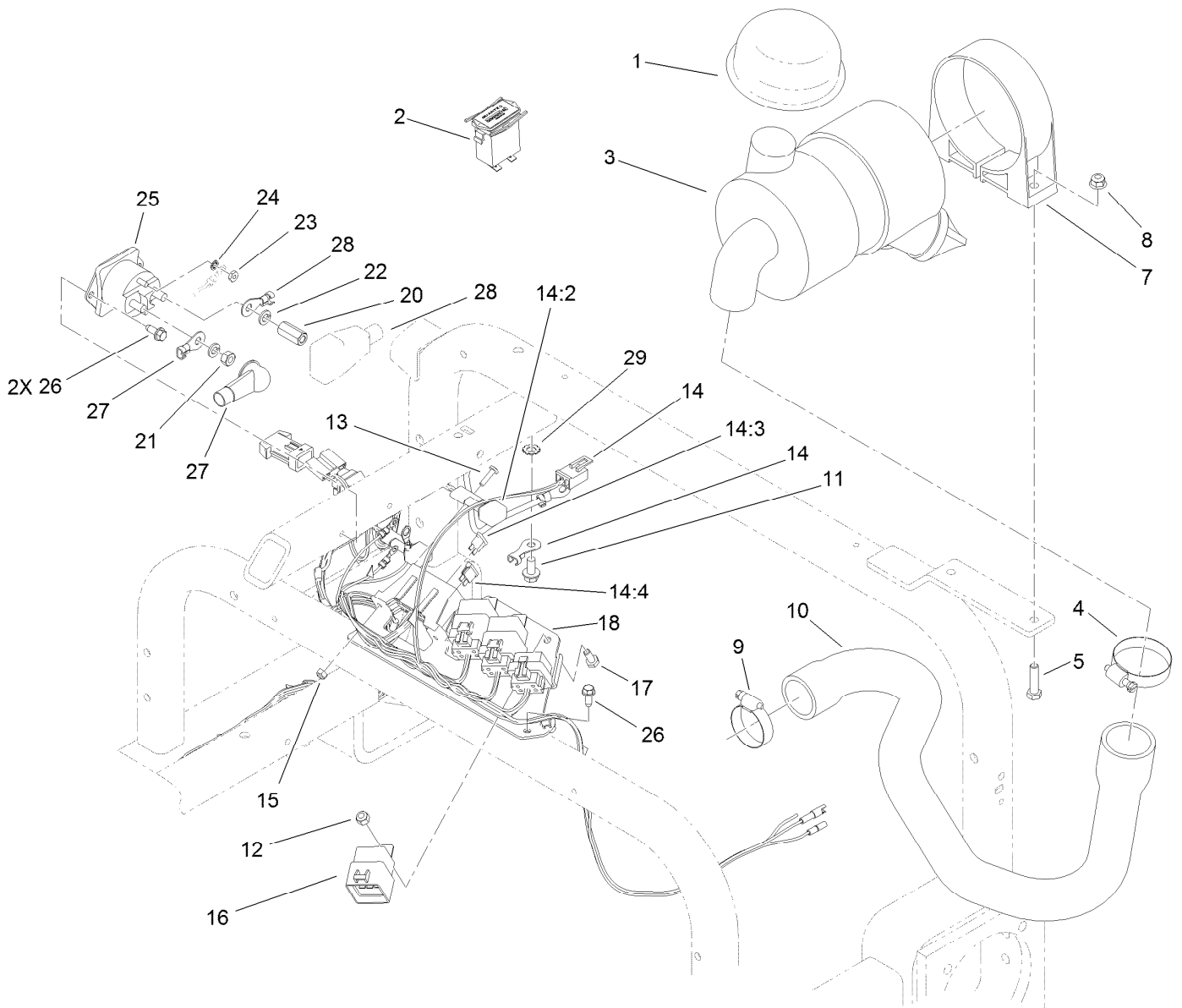
<i>Ref.</i>	<i>Part Number</i>	<i>Qty.</i>	<i>Description</i>
47:2	237-42	1	O-Ring
48	112-1411	1	Hose-HYD





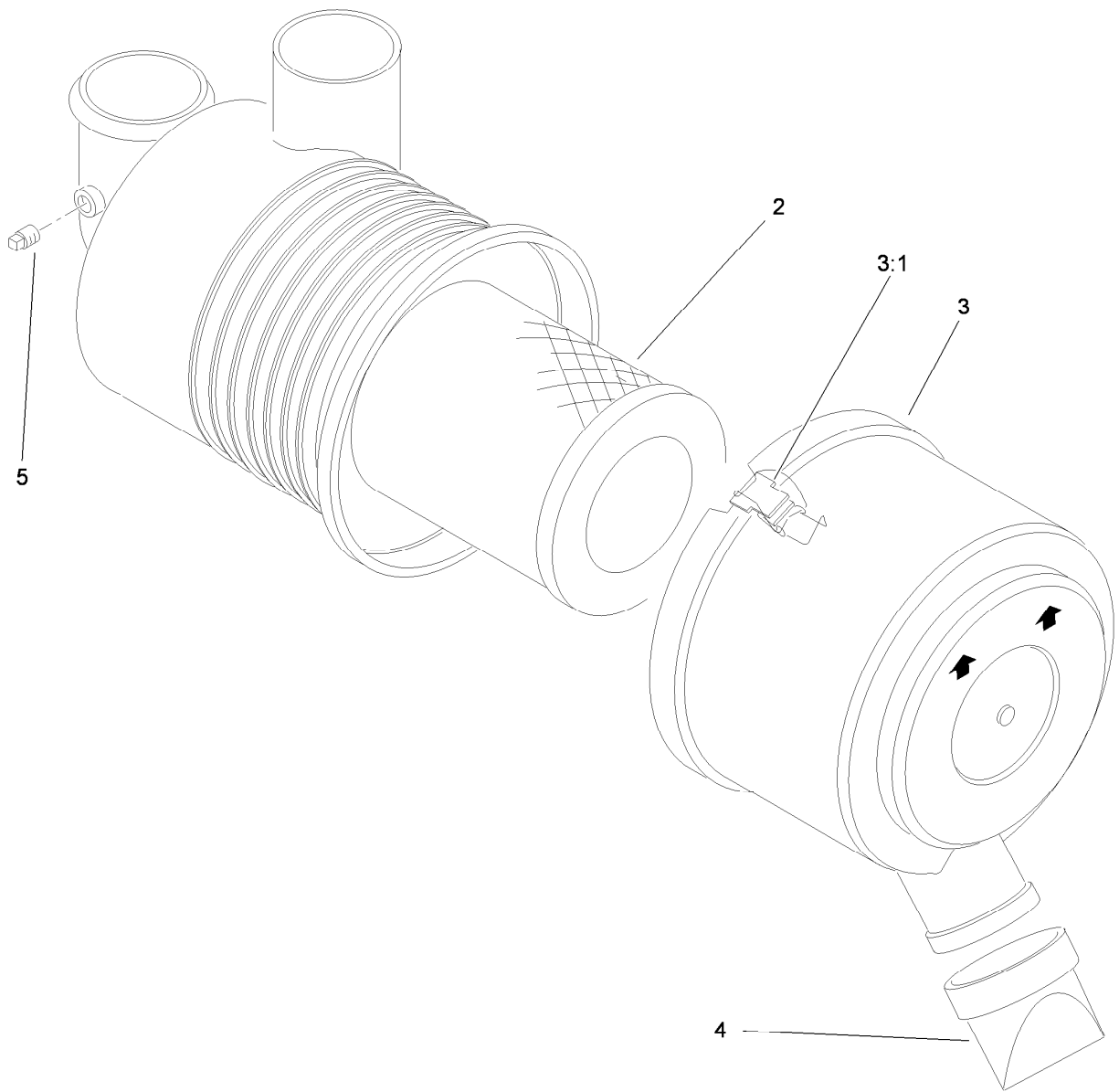
## Seat and Shroud Assembly

<i>Ref.</i>	<i>Part Number</i>	<i>Qty.</i>	<i>Description</i>	<i>Ref.</i>	<i>Part Number</i>	<i>Qty.</i>	<i>Description</i>
1	108-6878	1	Seat	17	108-6859-01	1	Shroud-Center
2	108-7931-03	1	Base-Seat	18	321-5	2	Screw-HH
3	51-0780	1	Slider-Seat	20	3256-1	2	Washer-Flat
6	3234-14	4	Screw-HHF	21	363-1571	1	Screw-PFH
7	104-8300	8	Nut-Flange, NI	22	609588	1	Spacer
9	1-523420	2	Bumper	23	99-7830	1	Rubber Receptical ASM
10	51-0790	1	Adjuster-Seat, LH	24	99-7833	1	Post-Holding
11	112-1445-03	1	Seat ASM	25	3290-412	1	Rivet
12	3274-12	4	Screw-HSH	26	104-7201	1	Nut-HF
13	108-8418	1	Decal-Service	31	3218-1	4	Nut-Jam
15	112-7153	2	Pin	32	106-8737	2	Nut-Retainer
16	82-2190	1	Switch-Bail				



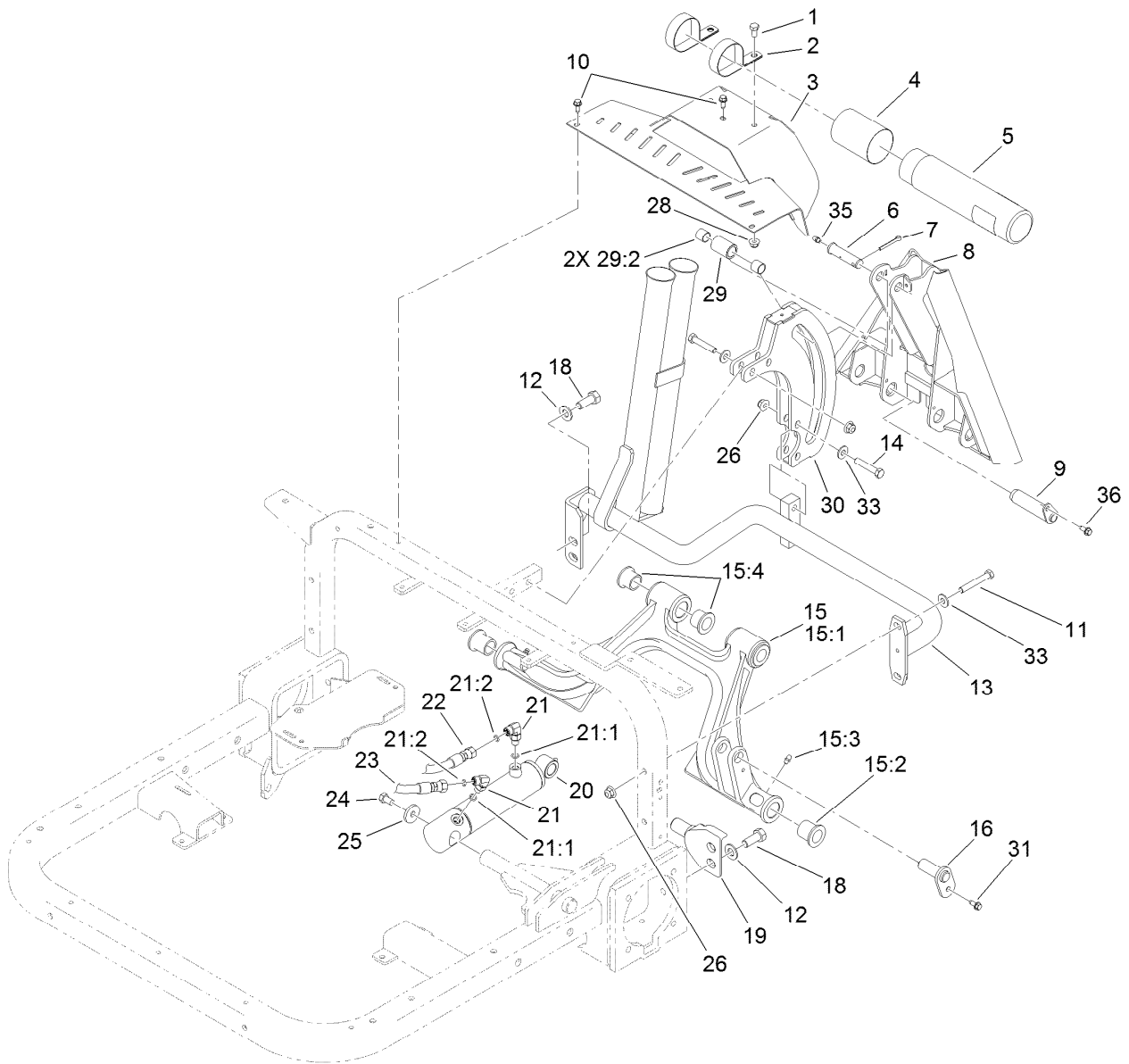
## Wire Harness, Air Cleaner and Hose Assembly

Ref.	Part Number	Qty.	Description	Ref.	Part Number	Qty.	Description
1	46-7510	1	Hood-Inlet, Air	14:4	109355	1	Fuse-Blade, 15 Amp
2	1-513374	1	Meter-Hour	15	3296-2	2	Nut-Lock, NI
3	93-2190	1	Air Cleaner ASM	16	99-7430	3	Relay
4	2412-92	1	Clamp-Hose	17	321-3	3	Screw-HH
5	322-6	2	Screw-HH	18	112-1444-01	1	Bracket-Relay
7	95-5806	1	Bracket-Mounting	20	110-3380	1	Nut-Standoff
8	104-8300	2	Nut-Flange, NI	21	3218-13	1	Nut-Jam, Brass
9	2412-3	1	Clamp-Hose	22	3253-4	2	Washer-Lock
10	117-9576	1	Hose-Air	23	3219-14	2	Nut-Hex
11	32144-14	1	Screw-HWHTF	24	3254-1	2	Washer-Lock, Int
12	3296-42	3	Nut-Lock, NI	25	28-4210	1	Solenoid
13	3250-13	2	Screw-PPH	26	32144-10	4	Screw-HWH
14	112-1446	1	Harness-Wire	27	110-3315	1	Cable-Positive, Starter
14:2	100-4918	2	Diode	28	110-3314	1	Cable-Positive, Battery
14:3	218-578	1	Fuse-Blade, 10 Amp	29	3255-9	1	Washer-Lock



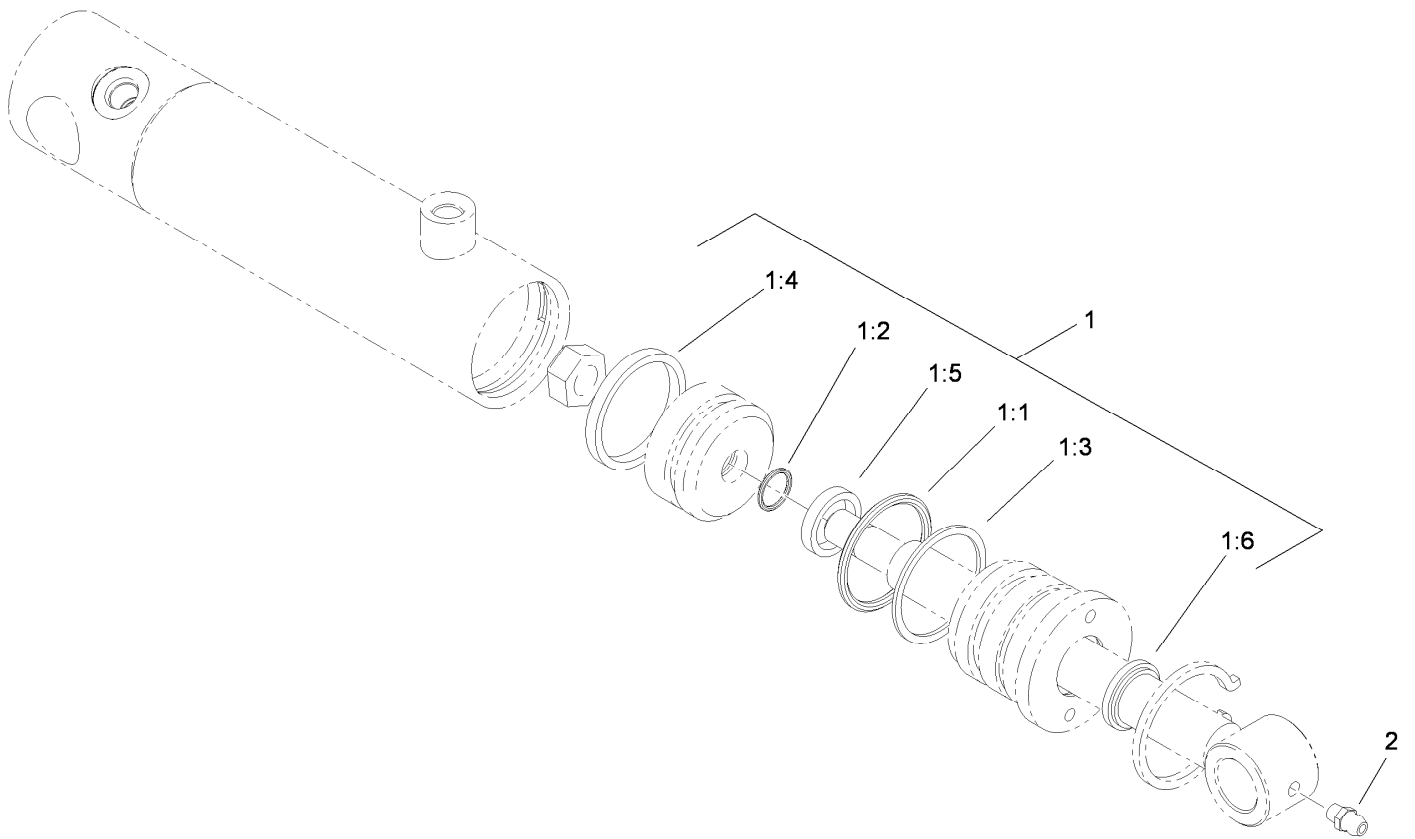
## Air Cleaner Assembly No. 93-2190

<i>Ref.</i>	<i>Part Number</i>	<i>Qty.</i>	<i>Description</i>
2	108-3811	1	Filter-Air
3	94-3652	1	Cover ASM
3:1	1-643283	2	Latch-Cleaner, Air
4	87-9400	1	Valve-Vacuator
5	285-17	1	Plug-Pipe



## Rear Hitch Assembly

Ref.	Part Number	Qty.	Description	Ref.	Part Number	Qty.	Description
1	322-2	2	Screw-HH	18	325-5	4	Screw-HH
2	2412-133	2	R-Clamp	19	115-5618	2	Pivot-Hub
3	108-7970-01	1	Rear Cover ASM	20	115-5647	1	HYD Lift Cylinder ASM
4	104-7048	1	Cap-Housing	21	340-132	2	Fitting-HYD, 90 DEG
5	104-7050	1	Tube-Manual	21:1	237-78	1	O-Ring
6	108-2282	1	Pin-Clevis	21:2	237-21	1	O-Ring
7	3272-23	1	Pin-Cotter	22	95-8837	1	Hose ASM
8	108-6870-01	1	Adapter ASM	23	100-3833	1	HYD Hose ASM
9	108-6885	2	Pin ASM	24	323-34	1	Screw-HH
10	32144-10	3	Screw-HWH	25	53-6380	1	Washer-Flat
11	323-12	2	Screw-HH	26	104-8301	6	Nut-Flange, NI
12	3256-26	4	Washer-Flat	28	104-8300	2	Nut-Flange, NI
13	120-3465-03	1	Hitch Frame ASM	29	108-5472	1	Tube ASM
14	323-10	4	Screw-HH	29:2	256-311	2	Bushing-Split
15	120-3457	1	Rear Hitch ASM	30	110-1368-01	1	Roller Plate ASM
15:1	115-5609-01	1	Hitch	31	32144-10	1	Screw-HWH
15:2	95-3577	2	Bushing	33	3256-3	6	Washer-Flat
15:3	302-5	4	Fitting-Grease	35	302-5	1	Fitting-Grease
15:4	33-3090	4	Bushing	36	99-8445	2	Screw-HWH, Taptite
16	115-5648	1	Pin-Flag				



## Hydraulic Lift Cylinder Assembly No. 115-5647

<i>Ref.</i>	<i>Part Number</i>	<i>Qty.</i>	<i>Description</i>
1	108-4597	1	Seal Kit
1:1		1	O-Ring ●
1:2		1	O-Ring ●
1:3		1	Ring-Back Up ●
1:4		1	Seal-Psp ●
1:5		1	Seal-Rod ●
1:6		1	Seal-Dust ●
2	302-5	1	Fitting-Grease

● Not serviced separately

# Attachments and Accessories

## For 08705 Sand Pro 5040 Traction Unit

<b>Product Name</b>	<b>Model/Part</b>
Front Lift Frame .....	08712
Manual Blade.....	08714
Midmount Toolbar System .....	08731
Tooth Rake .....	08751
Spring Rake.....	08752
Rear Broom .....	08753
Finish Grader.....	08754
Spiker .....	08755
Drag Mat Carrier System .....	08756
Debris Blower .....	08759
QAS Utility Box .....	08760
QAS Nail Drag.....	08761
QAS Bunker Pump .....	08765
Rear Remote Hydraulic Kit .....	08781
Front Remote Hydraulics .....	08782
Synthetic Turf Conditioner, Sand Pro/Infield Pro with QAS.....	08790
Turf Groomer, Sand Pro Traction Unit with QAS .....	08794
Yellow Hydraulic Cap.....	107-1576
Yellow Hydraulic Fluid Cap (Tethered) .....	107-2174
Premium All Season Hydraulic Fluid (55 Gallon Drum) .....	108-1177
Premium All Season Hydraulic Fluid (5 Gallon Pail).....	108-1178
Premium All Purpose Grease (Tube) .....	108-1190
Premium Engine Oil SAE 30 (Drum).....	108-1196
Premium Engine Oil SAE 30 (Pail).....	108-1197
Light Kit.....	110-1314
Speed Limiter Kit .....	110-1371
Draw Bar Hitch Assembly .....	110-1375
Smooth Wheel and Tire ASM.....	112-0034
Drag Mat Assembly .....	112-1424
Variable Orifice Kit .....	112-1433
Carbide Tine Pack .....	119-2152
Spark Arrestor Screen .....	119-7185
MVP Filter Kit.....	30035
Wheel and Tire Assembly .....	94-6126

**Notes:**



**Count on it.**