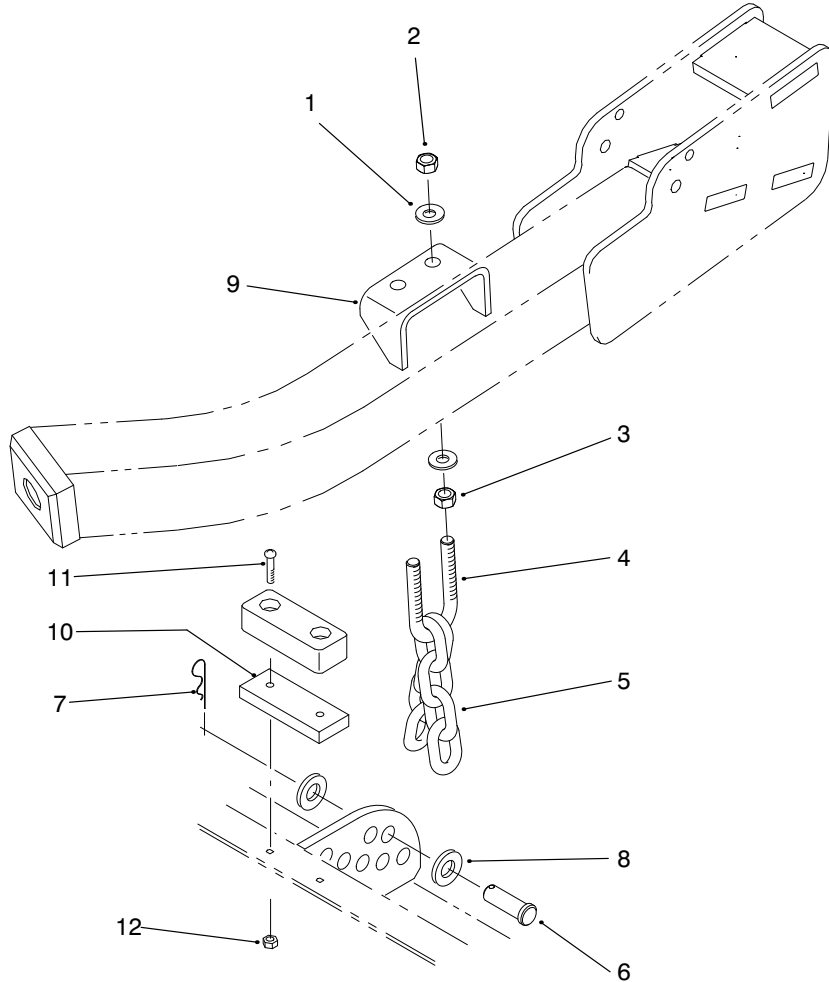




PART NO. 93-4544	PARTS CATALOG
REAR HEIGHT OF CUT KIT For Groundsmaster® 3000	



T-2747

HEIGHT OF CUT ASSEMBLY

Ref. No.	Part No.	Description	No. Used	Ref. No.	Part No.	Description	No. Used
1	3256-24	Washer - Flat	4	7	3290-467	Pin - Cotter Hair	1
2	3296-6	Nut - Lock	2	8	3256-26	Washer - Flat	2
3	3219-3	Nut - Hex.	2	9	95-6213	Bracket - H.O.C.	1
4	96-1259	Bolt - U	1	10	98-3049	Bumper - Spacer	1
5	95-6231	Chain	2	11	3250-52	Screw - Pan Hd.	2
6	283-55	Pin - Clevis	1	12	3296-2	Nut - Hex.	2