



**20in Mulching/Rear Bagging  
Lawn Mower**

**Model No. 10632—Serial No. 313000001 and Up**

**Parts Catalog**



# Ordering Replacement Parts

To order replacement parts, please supply the part number, the quantity, and the description of each part desired.

## Understanding Reference Numbers

Each identified part in an illustration has a reference number. The reference number for a part also appears in the parts list, along with other information about the part.

This catalog uses two special reference number formats, one to indicate parts in a service assembly and another to indicate the quantity of a given part in an illustration.

## Service Assembly Reference Numbers

Parts in service assemblies have reference numbers in the form a:b. The a represents the reference number of the entire service assembly and the b represents a sequential number unique to each part within the service assembly.

For example, a wheel assembly might be identified by reference number 6, the tire by 6:1, the valve by 6:2, and the wheel by 6:3. When you order the assembly identified by reference number 6, you receive all parts identified by reference numbers 6:1, 6:2, and 6:3. However, you may also order any part individually. Reference numbers of this type appear in illustration and in parts lists.

## Reference Numbers Indicating Quantity

In an illustration, if a reference number indicates more than one part, the reference number has the form nX y. The n represents the quantity of the part, the X is the multiplication symbol, and the y represents the reference number.

For example, in an illustration, the reference number 2X 37 means that two of the parts identified by reference number 37 are indicated.

# List of Abbreviations

**AR:** as required

**ASM:** assembly

**BBC:** blade brake control

**BHTF:** button head thread forming

**CARR:** carriage

**CCW:** counter clockwise

**CW:** clockwise

**DEG:** degrees

**DPA:** Dual Point Adjustment

**ECM:** electronic control module

**EXT:** external

**FH:** flat head

**GA:** gauge

**HD:** heavy-duty

**HF:** hex flange

**HH:** hex head

**HHF:** hex head flange

**HHFTF:** hex head flange thread forming

**HJ:** hex jam

**HLH:** hex lag head

**HOC:** height-of-cut

**HSBH:** hex socket button head

**HSFH:** hex socket flat head

**HSH:** hex socket head

**HWH:** hex washer head

**HWHTF:** hex washer head thread forming

**HYD:** hydraulic

**LH:** left hand

**LP:** Liquefied Petroleum Gas

**LPG:** Liquefied Petroleum Gas

**NI:** nylon insert

**NPTF:** national pipe thread fine

**PFH:** phillips flat head

**PPH:** phillips pan head

**PPHTF:** phillips pan head thread forming

**PRH:** phillips round head

**PTH:** phillips truss head

**PTO:** power-take-off

**RH:** right hand

**ROPS:** roll-over protection system

**RRB:** rear roller brush

**SFH:** slotted fillister head

**SHH:** slotted hex head

**SHWH:** slotted hex washer head

**SPH:** slotted pan head

**SQH:** square head

**SRH:** slotted round head

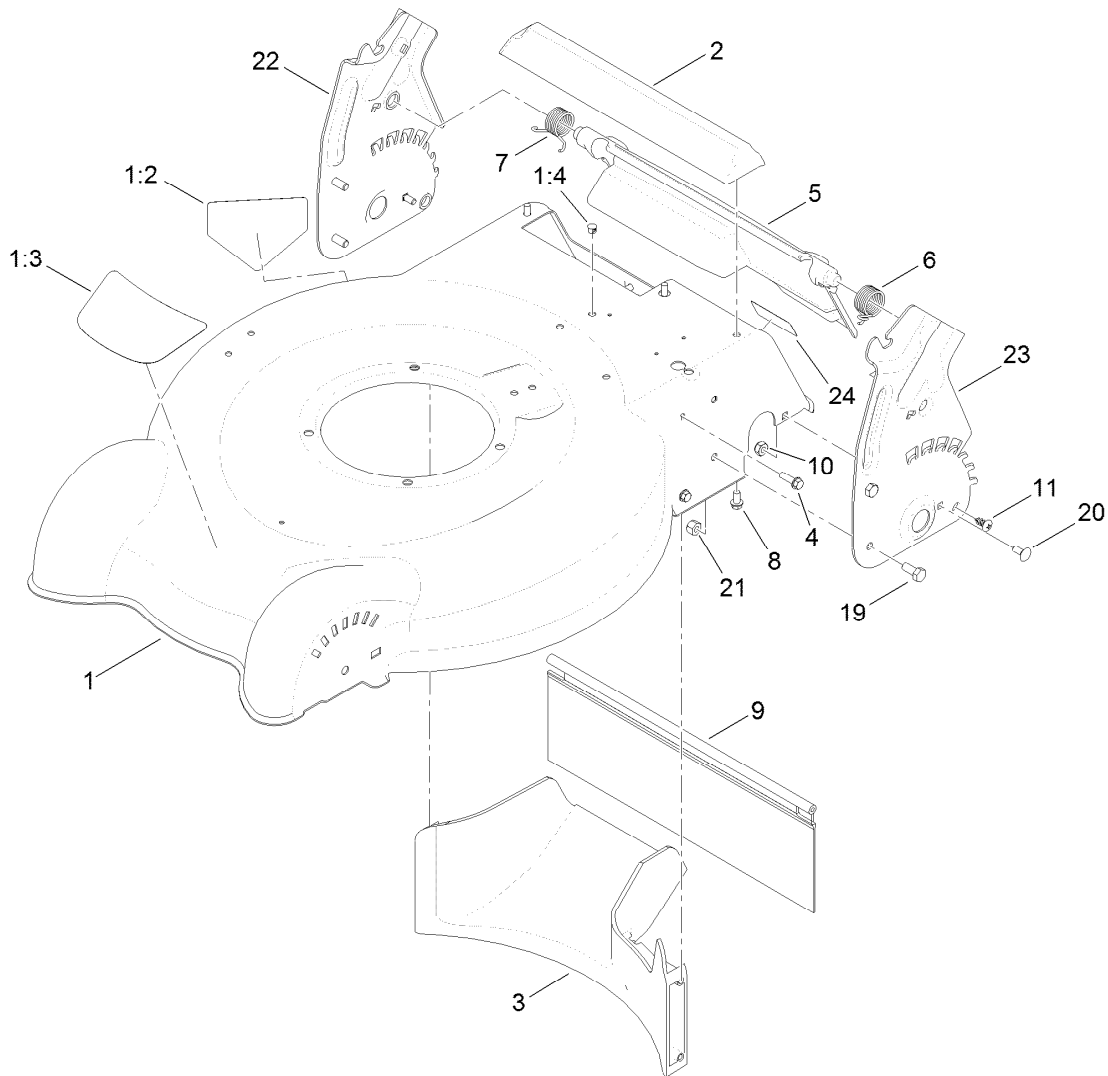
**STD:** standard

**TAP:** self tapping

**TTH:** torx truss head

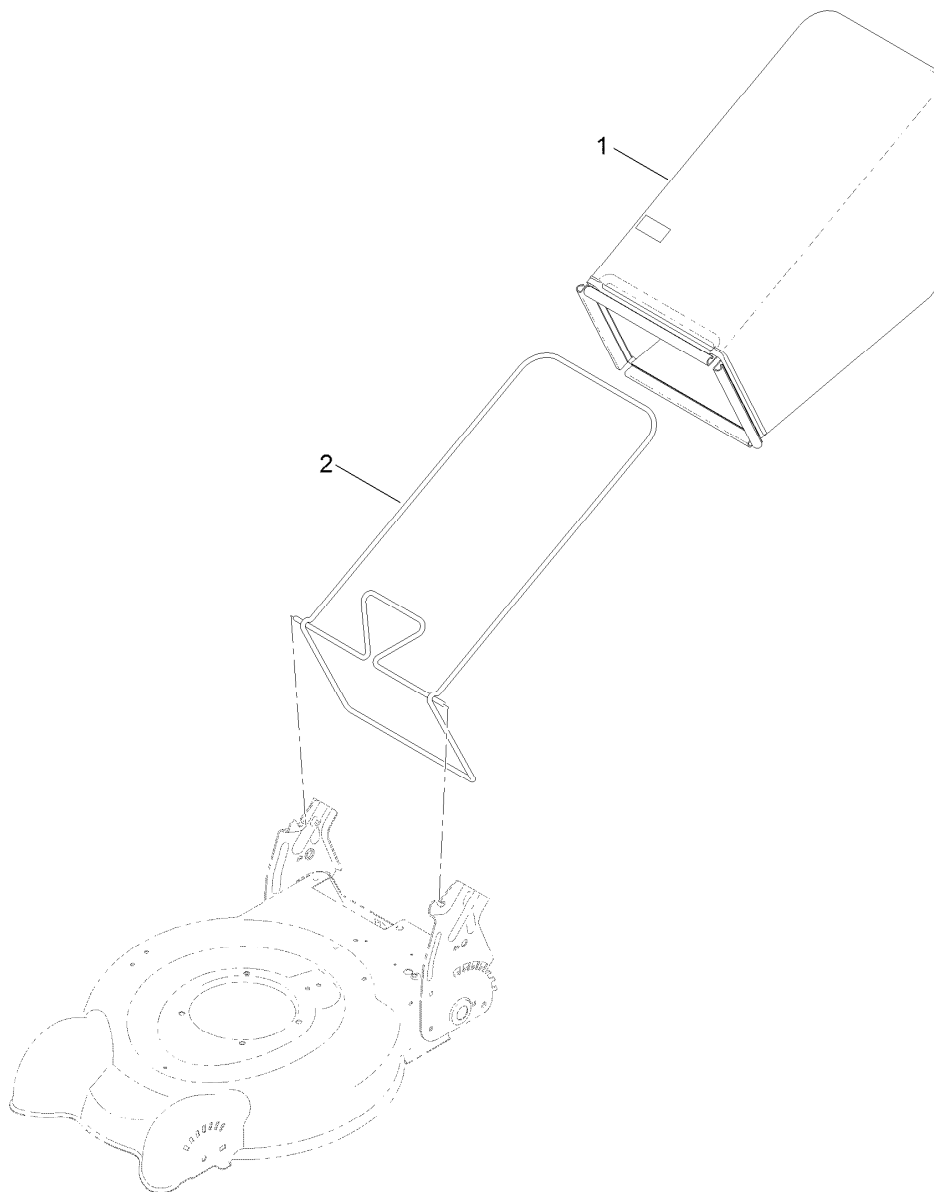
# Contents

Housing and Rear Height-of-Cut Assembly .....	4
Grass Bag and Frame Assembly .....	5
Engine and Blade Assembly .....	6
Front Wheel and Height-of-Cut Assembly .....	7
Transmission, Rear Wheel and Height-of-Cut Assembly .....	8
Handle Assembly .....	9
Attachments and Accessories .....	10



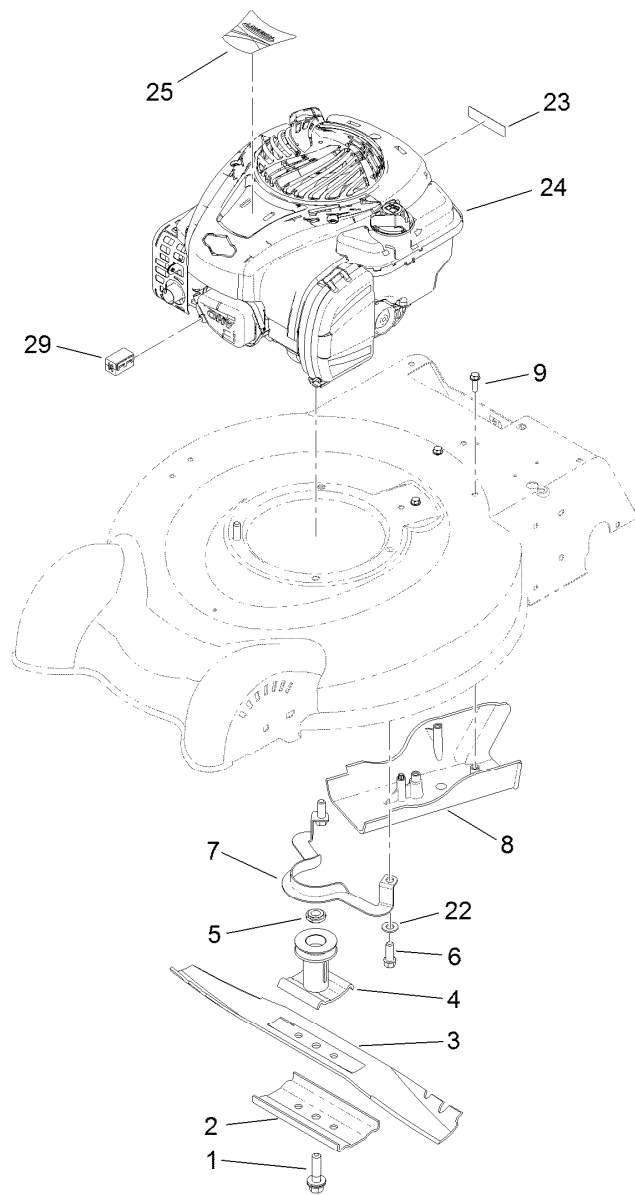
## Housing and Rear Height-of-Cut Assembly

<i>Ref.</i>	<i>Part Number</i>	<i>Qty.</i>	<i>Description</i>	<i>Ref.</i>	<i>Part Number</i>	<i>Qty.</i>	<i>Description</i>
1	117-4153	1	Housing ASM	9	125-2517	1	Shield-Trailing
1:2	94-8072	1	Decal-Danger	10	3296-16	2	Nut-Lock, NI
1:3	117-4131	1	Decal	11	117-1092	2	Screw-PTH
1:4	104-9373	1	Plug-Dome	19	322-3	4	Screw-HH
2	112-8845	1	Chute-Rear	20	3229-11	2	Screw-CARR
3	112-8821	1	Baffle-Rear	21	3296-29	4	Nut-Lock, NI
4	46-8091	5	Screw-HWH	22	112-8822-03	1	Plate-HOC, LH
5	119-7029	1	Rear Deflector ASM	23	112-8823-03	1	Plate-HOC, RH
6	119-7015	1	Spring-Torsion, LH	24	121-5684	1	Decal-Service Dealer Location
7	119-7016	1	Spring-Torsion, RH				
8	46-8093	3	Screw-Plastite				



## Grass Bag and Frame Assembly

<i>Ref.</i>	<i>Part Number</i>	<i>Qty.</i>	<i>Description</i>
1	120-7031	1	Grass Bag ASM
2	120-7029-03	1	Frame-Bag

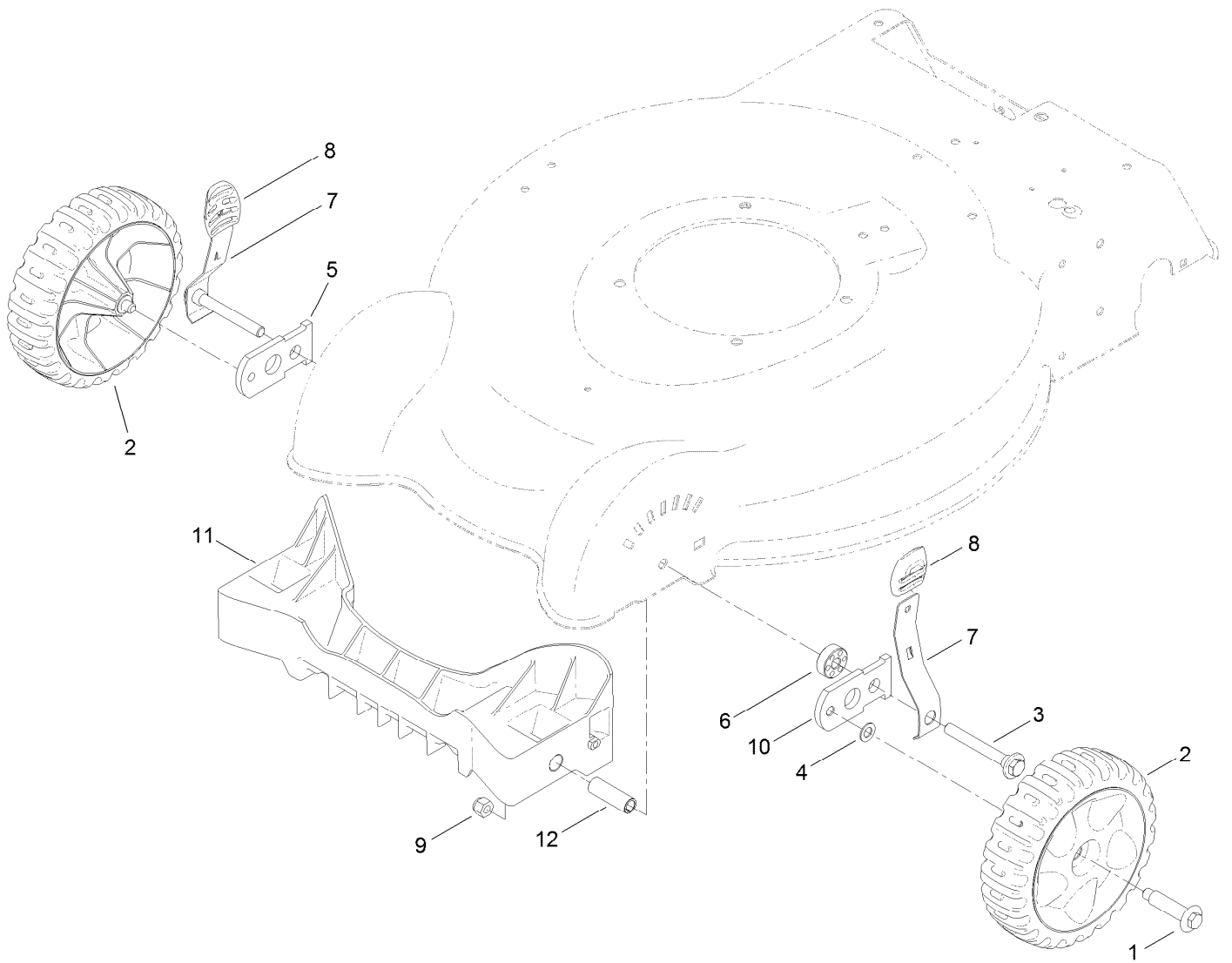


## Engine and Blade Assembly

Ref.	Part Number	Qty.	Description
1	117-5270	1	Bolt-Blade
2	108-3766-03	1	Support-Blade
3	112-8841-03	1	Blade-20 Inch
4	125-2500	1	Driver-Blade, 7/8
5	125-2502	1	Spacer-Driver, 7/8
6	95-1726	3	Screw-Taptite
7	105-3030-03	1	Guide-Belt
8	112-8829	1	Cover-Belt
9	46-8091	3	Screw-HWH
22	3256-24	2	Washer-Flat
23	117-2718	1	Decal-Arrester, Spark
24		1	Engine-Briggs, 09P7020098F1 ●■
25	125-2518	1	Decal-Engine
29	125-5054	1	Ferrite-Clamp On

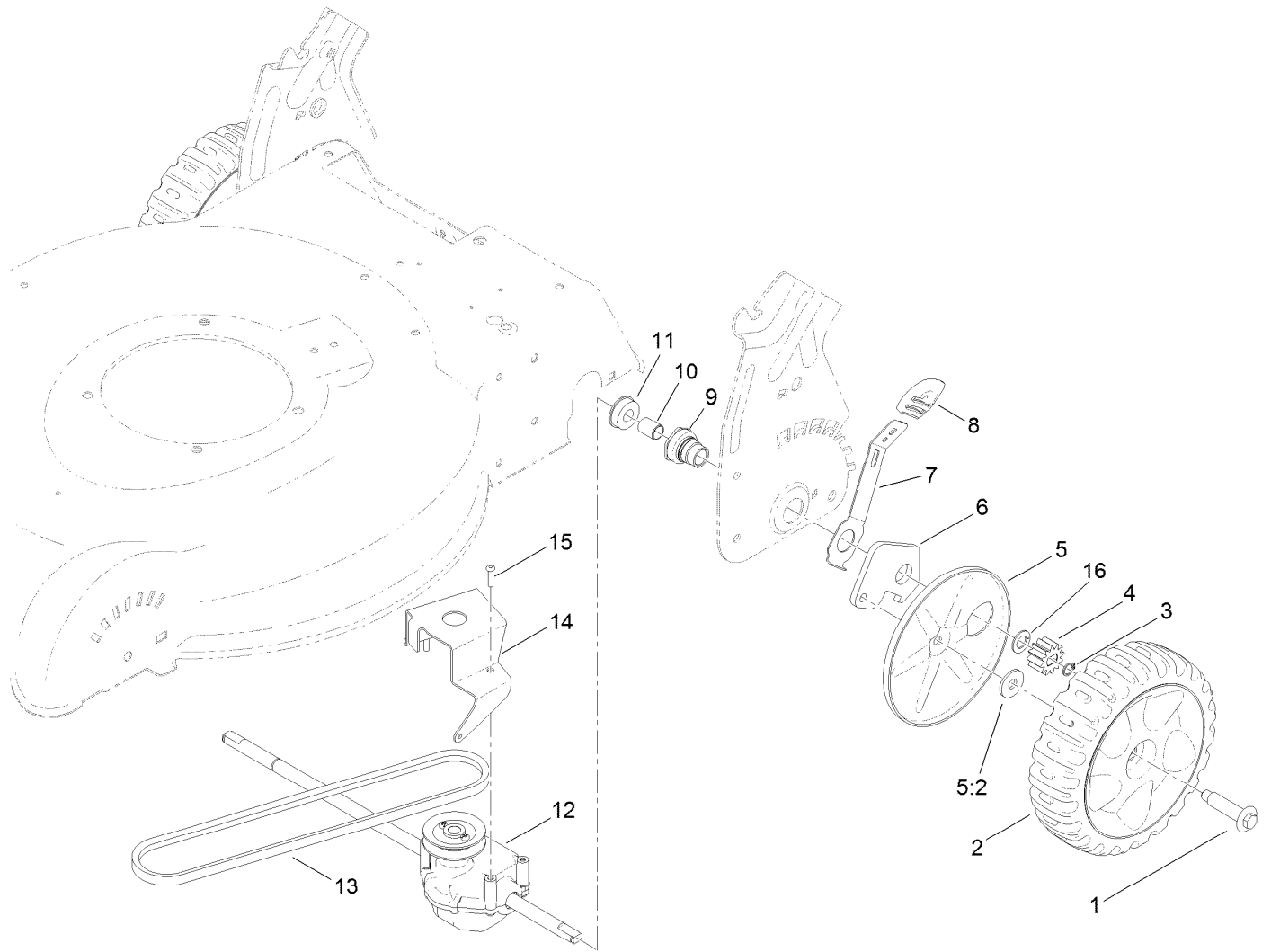
● Not serviced separately

■ Obtain parts from [www.briggsandstratton.com](http://www.briggsandstratton.com)



## Front Wheel and Height-of-Cut Assembly

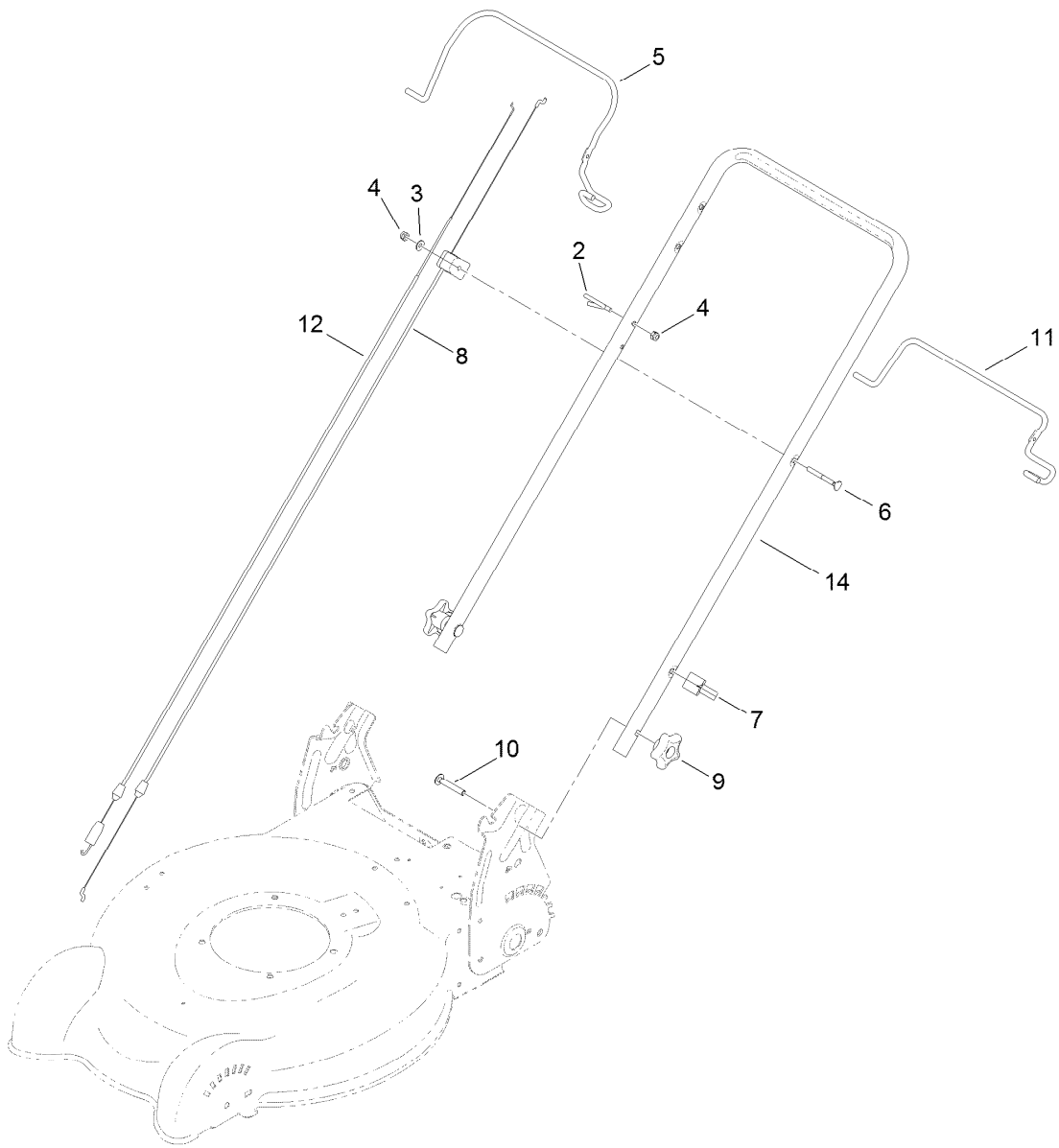
Ref.	Part Number	Qty.	Description
1	614650	2	Bolt-Shoulder
2	117-5964	2	7 Inch Wheel And Tire ASM
3	117-5996	2	Bolt-Shoulder
4	40-1940	2	Washer
5	107-3877	1	Arm-Pivot, RH
6	117-5997	2	Spacer-Arm, Pivot
7	112-8828	2	Arm-Spring, Front
8	105-3042	2	Knob-Lever, HOC
9	3296-39	2	Nut-Lock, NI
10	108-1044	1	Arm-Pivot, LH
11	119-7082	1	Baffle-Throw, Front
12	117-5992	2	Spacer-Baffle, Front



## Transmission, Rear Wheel and Height-of-Cut Assembly

Ref.	Part Number	Qty.	Description
1	614650	2	Bolt-Shoulder
2	119-0321	2	8 Inch Wheel Gear ASM
3	32151-61	2	Ring-Retaining
4	115-4668	2	Gear-Pinion, 12T
5	117-4197	2	Wheel Cover ASM
5:2	614426	1	Washer-Stepped
6	108-9781	2	Arm-Pivot, Rear
7	108-9780	2	Arm-Spring
8	105-3042	2	Knob-Lever, HOC

Ref.	Part Number	Qty.	Description
9	108-9779	2	Retainer-Bushing, HOC
10	108-9782	2	Bushing-Sleeve
11	104-8699	2	Bearing-Ball
12	121-9181	1	Transmission ASM
13	110-9429	1	V-Belt
14	114-7977-03	1	Bracket-Transmission
15	108-7476	3	Screw-Plastite
16	110-7191	2	Washer-Thrust



## Handle Assembly

<b>Ref.</b>	<b>Part Number</b>	<b>Qty.</b>	<b>Description</b>
2	86-9671	1	Guide-Rope
3	3256-1	1	Washer-Flat
4	3296-73	2	Nut-Lock, NI
5	117-5940-02	1	Bail-Brake
6	92-2270	1	Screw-Handle
7	114-7988	1	Guide-Cable
8	125-2524	1	Cable-Brake, Engine
9	117-5976	2	Knob-Handle, Locking
10	3230-6	2	Screw-CARR
11	112-8835-02	1	Bail-Traction, 2-Bail Flat
12	112-8817	1	Cable-Traction
14	120-9528-05	1	Handle

# Attachments and Accessories

## For 10632 20in Mulching/Rear Bagging Lawn Mower

<b>Product Name</b>	<b>Model/Part</b>
Replacement Bag, 2009 and After 20 inch Steel Deck Lawnmowers .....	89701
Replacement Bag and Frame Kit, 2009 and After 20 inch Steel Deck Lawnmowers .....	89702
20in Blade .....	89963P
Rear-Discharge Deflector, 2009 and After 20in Steel Deck Mower .....	89964

**Notes:**

