



20in Recycler®/Rear Bagging Lawn Mower

Model No. 20318—Serial No. 31300001 and Up

Form No. 3376-293-ASM Rev A

Operator's Manual

Introduction

This rotary-blade, walk-behind lawn mower is intended to be used by residential homeowners or professional, hired operators. It is designed primarily for cutting grass on well-maintained lawns on residential or commercial properties. It is not designed for cutting brush or for agricultural uses.

Read this information carefully to learn how to operate and maintain your product properly and to avoid injury and product damage. You are responsible for operating the product properly and safely.

You may contact Toro directly at www.Toro.com for product and accessory information, help finding a dealer, or to register your product.

Whenever you need service, genuine Toro parts, or additional information, contact an Authorized Service Dealer or Toro Customer Service and have the model and serial numbers of your product ready. Figure 1 identifies the location of the model and serial numbers on the product. Write the numbers in the space provided.

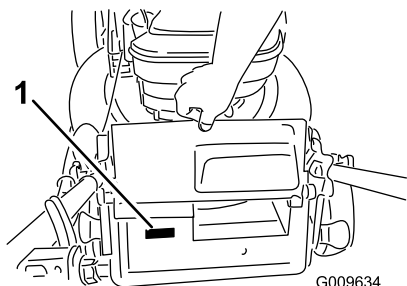


Figure 1

1. Model and serial number plate

Model No. _____
Serial No. _____

This manual identifies potential hazards and has safety messages identified by the safety alert symbol (Figure 2), which signals a hazard that may cause serious injury or death if you do not follow the recommended precautions.



Figure 2

1. Safety alert symbol

This manual uses 2 words to highlight information.

Important calls attention to special mechanical information and **Note** emphasizes general information worthy of special attention.

WARNING

CALIFORNIA Proposition 65 Warning

This product contains a chemical or chemicals known to the State of California to cause cancer, birth defects, or other reproductive harm.

The engine exhaust from this product contains chemicals known to the State of California to cause cancer, birth defects, or other reproductive harm.

Contents

Introduction	1
General Operation	2
Slope Operation	2
Children	2
Service	3
Safety and Instructional Decals	4
Setup	4
Installing the Handle	4
Installing the Recoil-starter Rope in the Rope Guide	5
Filling the Engine with Oil	5
Product Overview	6
Operation	6
Attachments/Accessories	6
Filling the Fuel Tank	6
Checking the Engine Oil Level	7
Adjusting the Cutting Height	7
Starting the Engine	8
Stopping the Engine	8
Mulching the Clippings	8
Bagging the Clippings	8
Operating Tips	9



Maintenance	10
Recommended Maintenance Schedule(s)	10
Preparing for Maintenance.....	10
Servicing the Air Cleaner	11
Changing the Engine Oil	11
Replacing the Blade	12
Cleaning the underside of the Machine.....	12
Storage	13
Preparing the Machine for Storage	13
Folding the Handle	13
Removing the Machine from Storage.....	13

Safety

This lawn mower meets or exceeds the CPSC blade safety requirements for walk-behind rotary lawn mowers and the B71.1 specifications of the American National Standards Institute in effect at the time of production.

Read and understand the contents of this manual before you start the engine.

The safety alert symbol (Figure 2) is used to alert you to potential personal injury hazards. Obey all safety messages that follow this symbol to avoid possible injury or death. Improperly using or maintaining this mower could result in injury or death. To reduce this potential, comply with the following safety instructions.

The following instructions have been adapted from the ANSI/OPEI standard B71.1-2003.

This cutting machine is capable of amputating hands and feet and of throwing objects. Failure to observe the following safety instructions could result in serious injury or death.

General Operation

- Read, understand, and follow all instructions on the machine and in the manual(s) before starting.
- Do not put hands or feet near or under the machine. Keep clear of the discharge opening at all times.
- Only allow responsible adults, who are familiar with the instructions, to operate this machine.
- Clear the area of objects such as rocks, wire, toys, etc., which could be thrown by the blade. Stay behind the handle when the engine is running.
- Be sure the area is clear of bystanders before operating. Stop machine if anyone enters the area.
- Do not operate machine barefooted or while wearing sandals. Always wear substantial footwear.
- Do not pull machine backward unless absolutely necessary. Always look down and behind before and while moving backward.
- Never direct discharged material toward anyone. Avoid discharging material against a wall or obstruction.

Material may ricochet back toward the operator. Stop the blade when crossing gravel surfaces.

- Do not operate machine without the entire grass catcher, discharge guard, rear guard, or other safety protective devices in place and working.
- Never leave a running machine unattended.
- Stop the engine and wait until the blade comes to a complete stop before cleaning the machine, removing grass catcher, or unclogging the discharge guard.
- Operate machine only in daylight or good artificial light.
- Do not operate machine while under the influence of alcohol or drugs.
- Never operate mower in wet grass. Always be sure of your footing; walk; never run.
- Disengage the drive system, if so equipped, before starting the engine.
- If the machine should start to vibrate abnormally, stop the engine and check for the cause immediately. Vibration is generally a warning of trouble.
- Always wear eye protection when operating machine.
- Lightning can cause severe injury or death. If you see lightning or hear thunder in the area, do not operate the machine; seek shelter.
- See manufacturer's instructions for proper operation and installation of accessories. Only use accessories approved by the manufacturer.

Slope Operation

Slopes are a major factor related to slip and fall accidents, which can result in severe injury. Operation on all slopes require extra caution. If you feel uneasy on a slope, do not mow it.

- Mow across the face of slopes; never up and down. Exercise extreme caution when changing direction on slopes.
- Watch for holes, ruts, bumps, rocks, or other hidden objects. Uneven terrain could cause a slip and fall accident. Tall grass can hide obstacles.
- Do not mow on wet grass or excessively steep slopes. Poor footing could cause a slip and fall accident.
- Do not mow near drop-offs, ditches, or embankments. You could lose your footing or balance.

Children

Tragic accidents can occur if the operator is not alert to the presence of children. Children are often attracted to the machine and the mowing activity. **Never** assume that children will remain where you last saw them.

- Keep children out of the mowing area and under the watchful care of a responsible adult other than the operator.
- Be alert and turn mower off if a child enters the area.

- Never allow children to operate the machine.
- Use extra care when approaching blind corners, shrubs, trees, or other objects that may block your view of a child.

Service

Safe Handling of Gasoline

To avoid personal injury or property damage, use extreme care in handling gasoline. Gasoline is extremely flammable and the vapors are explosive.

- Extinguish all cigarettes, cigars, pipes, and other sources of ignition.
- Use only an approved gasoline container.
- Never remove gas cap or add fuel with the engine running. Allow engine to cool before refueling.
- Never refuel the machine indoors.
- Never store the machine or fuel container where there is an open flame, spark, or pilot light such as on a water heater or on other appliances.
- Never fill containers inside a vehicle or on a truck or trailer bed with a plastic liner. Always place containers on the ground away from your vehicle before filling.
- Remove gas-powered equipment from the truck or trailer and refuel it on the ground. If this is not possible, then refuel such equipment with a portable container, rather than from a gasoline dispenser nozzle.
- Keep the nozzle in contact with the rim of the fuel tank or container opening at all times until fueling is complete. Do not use a nozzle lock-open device.
- If fuel is spilled on clothing, change clothing immediately.
- Never overfill fuel tank. Replace gas cap and tighten securely.

⚠ WARNING

Exhaust contains carbon monoxide, an odorless, deadly poison that can kill you.

Do not run the engine indoors or in an enclosed area.

General Service

- Never operate machine in a closed area.
- Keep all nuts and bolts tight to be sure the equipment is in safe working condition.
- Never tamper with safety devices. Check their proper operation regularly.
- Keep machine free of grass, leaves, or other debris build-up. Clean up oil or fuel spillage and remove any fuel-soaked debris. Allow machine to cool before storing.
- If you strike a foreign object, stop and inspect the machine. Repair, if necessary, before starting.
- Never make any adjustments or repairs with the engine running. Disconnect the spark-plug wire and ground against engine to prevent unintended starting.
- Check grass catcher components and the discharge guard frequently and replace with manufacturer's recommended parts, when necessary.
- Mower blades are sharp. Wrap the blade or wear gloves, and use extra caution when servicing them.
- Do not change the engine governor setting or overspeed the engine.
- Maintain or replace safety and instruction labels, as necessary.

Safety and Instructional Decals

Important: Safety and instruction decals are located near areas of potential danger. Replace damaged decals.

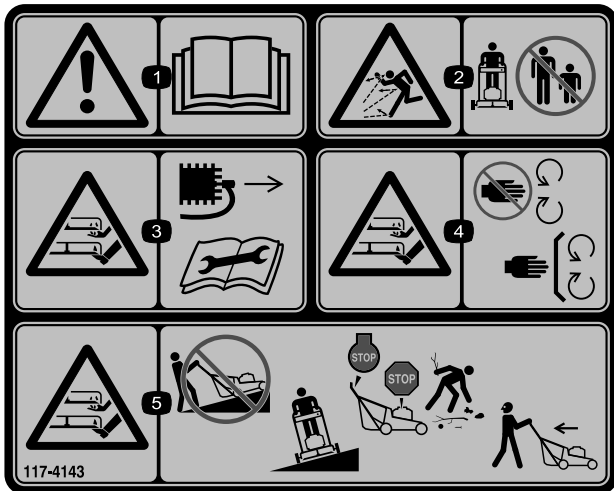


94-8072

CALIFORNIA SPARK ARRESTER WARNING

Operation of this equipment may create sparks that can start fires around dry vegetation. A spark arrester may be required. The operator should contact local fire agencies for laws or regulations relating to fire prevention requirements. 117-2718

117-2718



117-4143

1. Warning—read the *Operator's Manual*.
2. Thrown object hazard—keep bystanders a safe distance from the machine.
3. Cutting/dismemberment hazard of hand or foot, mower blade—disconnect the spark-plug wire and read the instructions before servicing or performing maintenance.
4. Cutting/dismemberment hazard of hand or foot, mower blade—stay away from moving parts and keep all guards and shields in place.
5. Cutting/dismemberment hazard of hand or foot, mower blade—do not mow up and down slopes, only mow across; stop the mower and engine, pick up debris before operating; look behind and down when reversing.

Setup

Important: Remove and discard the protective plastic sheet that covers the engine.

Installing the Handle

⚠ WARNING

Folding or unfolding the handle improperly can damage the cables, causing an unsafe operating condition.

- Do not damage the cables when folding or unfolding the handle.
- If a cable is damaged, contact an Authorized Service Dealer.

1. Remove the handle knobs from the machine housing.
2. Move the handle to the operating position (Figure 3).

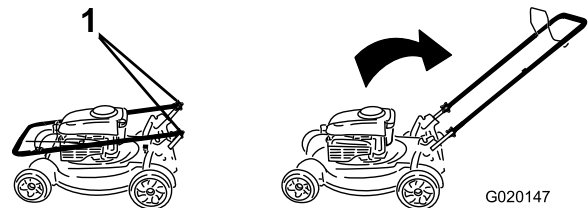


Figure 3

1. Handle knob (2)

Important: Route the cables to the outside of the handle as you install the handle.

3. Install the handle knobs and tighten them firmly by hand (Figure 3).

Installing the Recoil-starter Rope in the Rope Guide

Important: To start the engine safely and easily whenever you use the machine, install the recoil-starter rope in the rope guide.

Hold the blade-control bar to the upper handle and pull the recoil-starter rope through the rope guide on the handle (Figure 4).

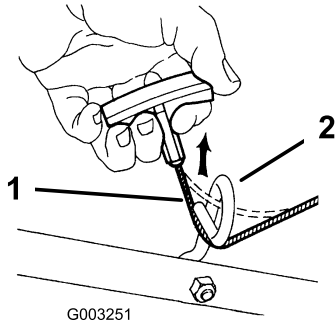


Figure 4

1. Recoil-starter rope 2. Rope guide

- If the oil level is too low, add a small amount of oil slowly to the oil-fill tube, and then repeat steps 3 through 5 until the oil level on the dipstick is correct.
- If the oil level is too high, drain the excess oil until the oil level on the dipstick is correct. To drain the excess oil, refer to Changing the Engine Oil (page 11).

Important: If the oil level in the crankcase is too low or too high and you run the engine, you may damage the engine.

6. Install the dipstick securely.

Important: Change the engine oil after the first 5 operating hours; change it yearly thereafter. Refer to Changing the Engine Oil (page 11).

Filling the Engine with Oil

Important: Your machine does not come with oil in the engine. Before starting the engine, fill the engine with oil.

1. Move the machine to a level surface.
2. Remove the dipstick (Figure 5) and pour about 3/4 of the crankcase capacity of oil into the oil-fill tube.

Note: Max. fill: 22 oz. (0.65 l), type: 10W-30 or SAE 30 detergent oil with an API service classification of SJ or higher.

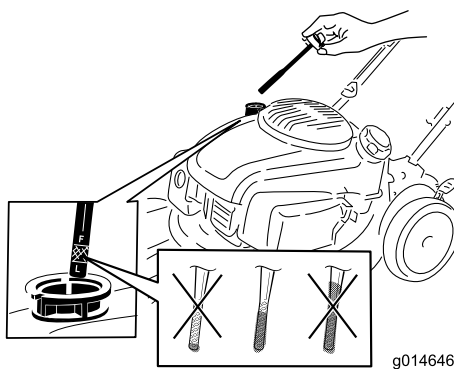


Figure 5

3. Wipe off the dipstick end with a clean cloth.
4. Insert the dipstick into the oil-fill tube, but **do not** screw it in.
5. Remove the dipstick and read the oil level on the dipstick (Figure 5).

Product Overview

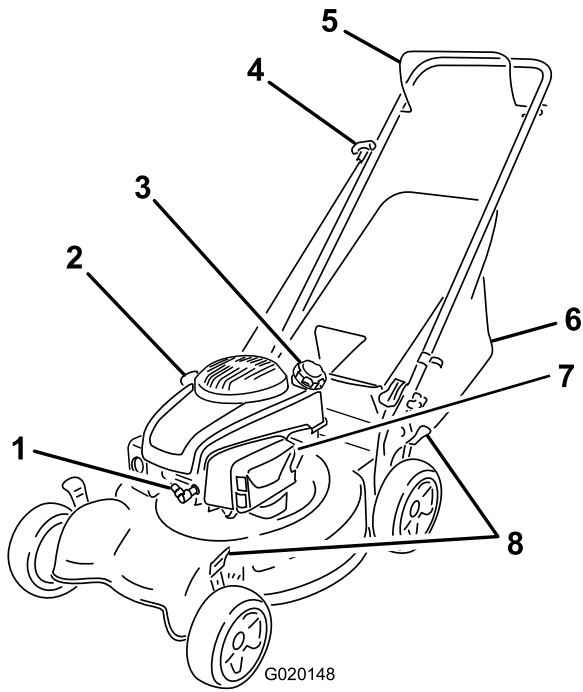


Figure 6

- | | |
|------------------------|------------------------------|
| 1. Spark plug | 5. Blade-control bar |
| 2. Oil fill/Dipstick | 6. Grass bag |
| 3. Fuel-tank cap | 7. Air filter |
| 4. Recoil-start handle | 8. Cutting-height levers (4) |

Operation

Attachments/Accessories

A selection of Toro approved attachments and accessories are available for use with the machine to enhance and expand its capabilities. Contact your Authorized Service Dealer or Distributor or go to www.Toro.com for a list of all approved attachments and accessories.

Filling the Fuel Tank

⚠ DANGER

Gasoline is extremely flammable and explosive. A fire or explosion from gasoline can burn you and others.

- To prevent a static charge from igniting the gasoline, place the container and/or machine directly on the ground before filling, not in a vehicle or on an object.
- Fill the tank outdoors when the engine is cold. Wipe up spills.
- Do not handle gasoline when smoking or around an open flame or sparks.
- Store gasoline in an approved fuel container, out of the reach of children.
- For best results, use only clean, fresh, unleaded gasoline with an octane rating of 87 or higher ((R+M)/2 rating method).
- Oxygenated fuel with up to 10% ethanol or 15% MTBE by volume is acceptable.
- **Do not** use ethanol blends of gasoline (such as E15 or E85) with more than 10% ethanol by volume. Performance problems and/or engine damage may result which may not be covered under warranty.
- **Do not** use gasoline containing methanol.
- **Do not** store fuel either in the fuel tank or fuel containers over the winter unless a fuel stabilizer is used.

Important: To reduce starting problems, add fuel stabilizer to the fuel all season, mixing it with gasoline less than 30 days old.

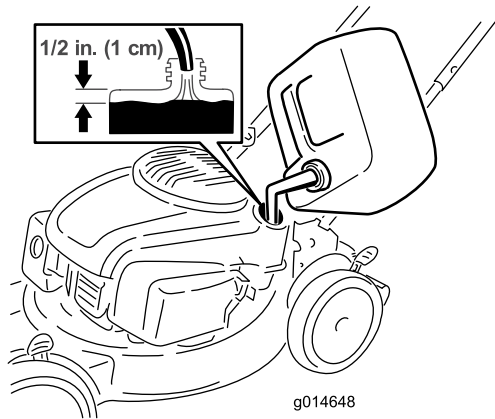


Figure 7

Checking the Engine Oil Level

Service Interval: Before each use or daily

Max. fill: 22 oz. (0.65 l), type: 10W-30 or SAE 30 detergent oil with an API service classification of SJ or higher.

1. Move the machine to a level surface.
2. Remove the dipstick (Figure 8).

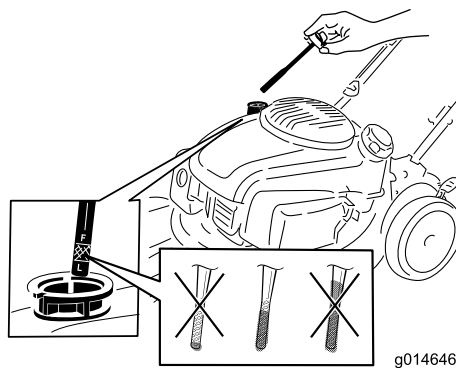


Figure 8

3. Wipe off the dipstick end with a clean cloth.
4. Insert the dipstick into the oil-fill tube, but **do not** screw it in.
5. Remove the dipstick and read the oil level; refer to Figure 8.
 - If the oil level is too low, add a small amount of oil slowly to the oil-fill tube, and then repeat steps 3 through 5 until the oil level on the dipstick is correct.
 - If the oil level is too high, drain the excess oil until the oil level on the dipstick is correct. To drain the excess oil, refer to Changing the Engine Oil (page 11).

Important: If the oil level in the crankcase is too low or too high and you run the engine, you may damage the engine.

6. Install the dipstick securely.

Adjusting the Cutting Height

⚠ WARNING

Adjusting the cutting height may bring you into contact with the moving blade, causing serious injury.

- Stop the engine and wait for all moving parts to stop.
- Do not put your fingers under the housing when adjusting the cutting height.

⚠ CAUTION

If the engine has been running, the muffler will be hot and can severely burn you. Keep away from the hot muffler.

Adjust the cutting height as desired. Set all 4 wheels to the same height.

Note: To raise the machine, move all the cutting-height levers forward; to lower the machine, move all the cutting-height levers rearward (Figure 9).

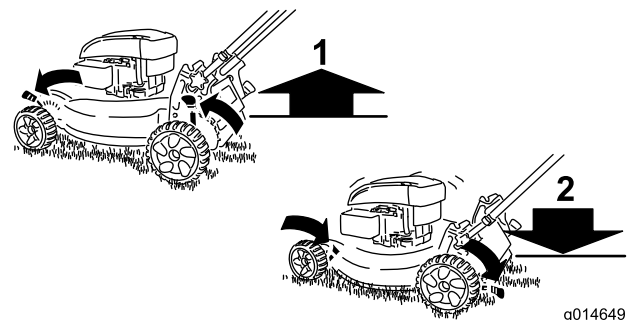


Figure 9

1. Raise the machine
2. Lower the machine

Note: The cutting height settings are 1 inch (25 mm); 1-1/2 inch (38 mm); 2 inches (51 mm); 2-1/2 inches (64 mm); 3 inches (76 mm); 3-1/2 inches (89 mm); and 4 inches (102 mm).

Starting the Engine

1. Hold the blade-control bar (Figure 10) against the handle.

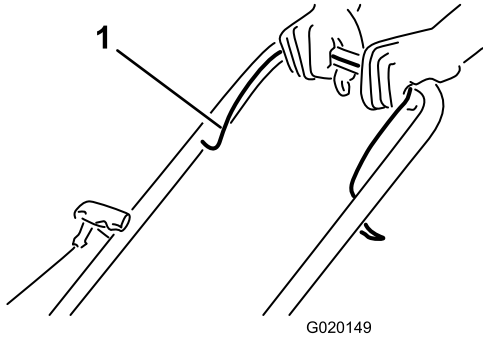


Figure 10

1. Blade-control bar

2. Pull recoil-start handle (Figure 11).

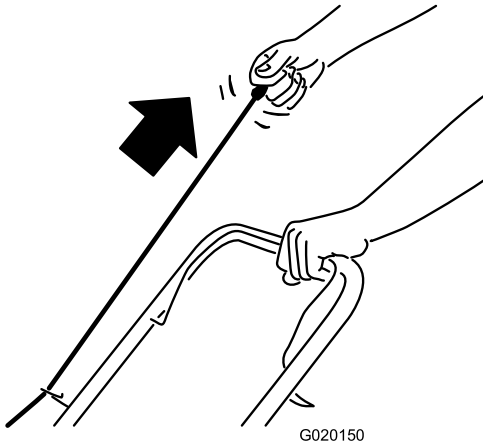


Figure 11

Note: If the machine does not start after several attempts, contact an Authorized Service Dealer.

Stopping the Engine

Service Interval: Before each use or daily

To stop the engine, release the blade control bar (Figure 12).

Important: When you release the blade-control bar, both the engine and blade should stop within 3 seconds. If they do not stop properly, stop using your machine immediately and contact an Authorized Service Dealer.

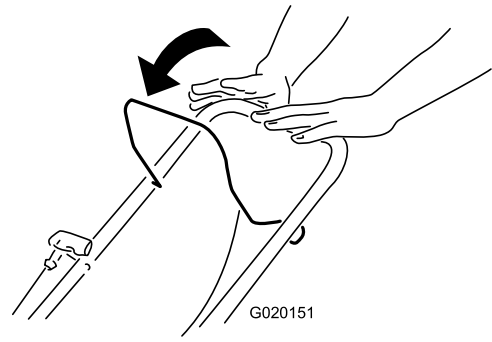


Figure 12

Mulching the Clippings

Your machine comes from the factory ready to mulch the grass and leaf clippings back into the lawn.

If the grass bag is on the machine, remove it before mulching the clippings. Refer to Removing the Grass Bag (page 9).

Bagging the Clippings

Use the grass bag when you want to collect grass and leaf clippings from the lawn.

▲ WARNING

A worn grass bag could allow small stones and other similar debris to be thrown in the operator's or bystander's direction and result in serious personal injury or death to the operator or bystanders.

Check the grass bag frequently. If it is damaged, install a new Lawn-Boy replacement bag.

▲ WARNING

The blade is sharp; contacting the blade can result in serious personal injury.

Stop the engine and wait for all moving parts to stop before leaving the operating position.

Installing the Grass Bag

1. Lift up the rear deflector (Figure 13).

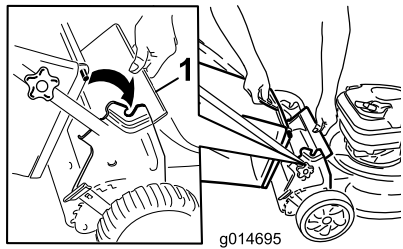


Figure 13

1. Rear deflector
-

2. Insert the grass-bag handle onto the notches on the handle brackets (Figure 13).

Removing the Grass Bag

1. Lift up the rear deflector (Figure 13).
2. Lift the grass-bag handle out from the notches on the handle brackets and remove the bag from the machine.
3. Close the rear deflector.

Operating Tips

General Mowing Tips

- Clear the area of sticks, stones, wire, branches, and other debris that the blade could hit.
- Avoid striking solid objects with the blade. Never deliberately mow over any object.
- If the machine strikes an object or starts to vibrate, immediately stop the engine, disconnect the wire from the spark plug, and examine the machine for damage.
- For best performance, install a new blade before the cutting season begins.
- Replace the blade when necessary with a Lawn-Boy replacement blade.

Cutting Grass

- Cut only about a third of the grass blade at a time. Do not cut below the 2 inch (51 mm) setting unless the grass is sparse or it is late fall when grass growth begins to slow down. Refer to Adjusting the Cutting Height (page 7).
- When cutting grass over 6 inches (15 cm) tall, mow at the highest cutting height setting and walk slower; then mow again at a lower setting for the best lawn appearance. If the grass is too long, the machine may plug and cause the engine to stall.
- Mow only dry grass or leaves. Wet grass and leaves tend to clump on the yard and can cause the machine to plug or the engine to stall.

▲ WARNING

Wet grass or leaves can cause serious injury if you slip and contact the blade. Mow only in dry conditions.

- Alternate the mowing direction. This helps disperse the clippings over the lawn for even fertilization.
- If the finished lawn appearance is unsatisfactory, try one or more of the following:
 - Replace the blade or have it sharpened.
 - Walk at a slower pace while mowing.
 - Raise the cutting height on your machine.
 - Cut the grass more frequently.
 - Overlap cutting swaths instead of cutting a full swath with each pass.
 - Set the cutting height on the front wheels one notch lower than the rear wheels. For example, set the front wheels at 2 inches (51 mm) and the rear wheels at 2-1/2 inches (64 mm).

Cutting Leaves

- After cutting the lawn, ensure that half of the lawn shows through the cut leaf cover. You may need to make more than one pass over the leaves.
- If there are more than 5 inches (13 cm) of leaves on the lawn, set the front cutting height one or two notches higher than the rear cutting height.
- Slow down your mowing speed if the machine does not cut the leaves finely enough.

Maintenance

Note: Determine the left and right sides of the machine from the normal operating position.

Recommended Maintenance Schedule(s)

Maintenance Service Interval	Maintenance Procedure
After the first 5 hours	<ul style="list-style-type: none"> Change the engine oil.
Before each use or daily	<ul style="list-style-type: none"> Check the engine oil level. Ensure that the engine stops within 3 seconds after releasing the blade-control bar.
After each use	<ul style="list-style-type: none"> Clean grass clippings and dirt from under the machine.
Every 25 hours	<ul style="list-style-type: none"> Check the air cleaner for dirty, loose, or damaged parts, and clean or replace them if necessary.
Every 50 hours	<ul style="list-style-type: none"> Change the engine oil.
Every 100 hours	<ul style="list-style-type: none"> Replace the air-cleaner element (more frequently when operating the machine in dusty or dirty operating conditions). Clean the cooling system (refer to your engine owner's manual). Replace the spark plug.
Before storage	<ul style="list-style-type: none"> Empty the fuel tank before repairs as directed and before annual storage.
Yearly	<ul style="list-style-type: none"> Replace the blade or have it sharpened (more frequently if the edge dulls quickly). Refer to your Engine Operator's Manual for any additional yearly maintenance procedures.

Important: Refer to your *Engine Operator's Manual* for additional maintenance procedures.

Preparing for Maintenance

1. Stop the engine and wait for all moving parts to stop.
2. Disconnect the spark-plug wire from the spark plug (Figure 14) before performing any maintenance procedure.

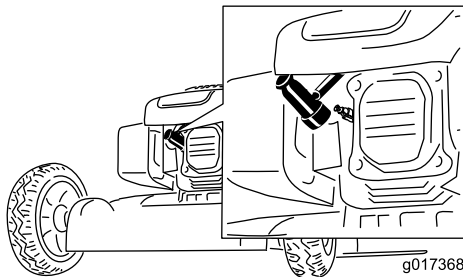


Figure 14

1. Spark-plug wire

3. After performing the maintenance procedure(s), connect the spark-plug wire to the spark plug.

Important: Before tipping the machine to change the oil or replace the blade, allow the fuel tank to run dry through normal usage. If you must tip the machine prior to running out of fuel, use a hand fuel pump to remove the fuel. Always tip the machine onto its side with the dipstick down.

⚠ WARNING

Tipping the machine may cause the fuel to leak. Gasoline is flammable, explosive and can cause personal injury.

Run the engine dry or remove the gasoline with a hand pump; never siphon.

Servicing the Air Cleaner

Service Interval: Every 25 hours/Yearly (whichever comes first)—Check the air cleaner for dirty, loose, or damaged parts, and clean or replace them if necessary.

Every 100 hours/Yearly (whichever comes first)

1. Perform the pre-maintenance procedures; refer to Preparing for Maintenance (page 10).
2. Unscrew and open the air-cleaner cover (Figure 15).

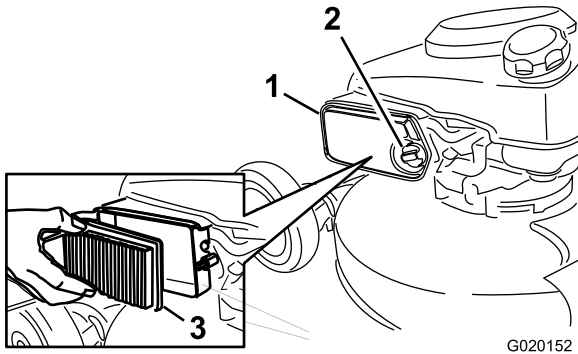


Figure 15

1. Screw
2. Air-cleaner cover
3. Air-cleaner element

3. Replace the air-cleaner element.
4. Install the air-cleaner cover.

Changing the Engine Oil

Service Interval: After the first 5 hours

Every 50 hours/Yearly (whichever comes first)

Run the engine a few minutes before changing the oil to warm it. Warm oil flows better and carries more contaminants.

1. Perform the pre-maintenance procedures; refer to Preparing for Maintenance (page 10).
2. Remove the dipstick (Figure 16).

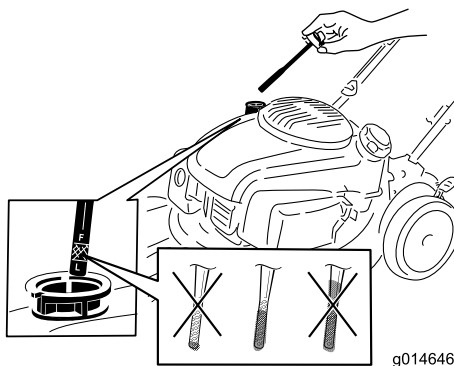


Figure 16

3. Set an oil-drain pan beside the machine by the dipstick.
4. Tip the machine onto its side, with the dipstick down, to drain the used oil out through the oil-fill tube (Figure 17).

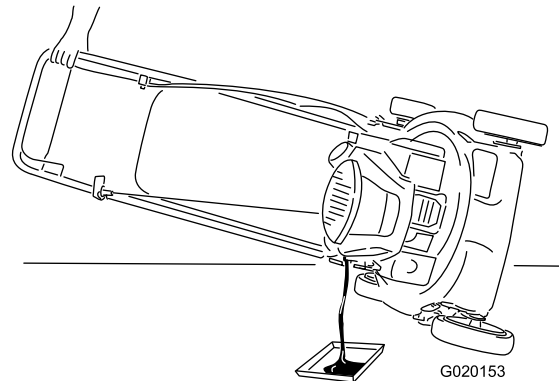


Figure 17

5. After draining the used oil, return the machine to the normal operating position.
6. Remove the dipstick and pour about 3/4 of the crankcase capacity of oil into the oil-fill tube.

Note: Max. fill: 22 oz. (0.65 l), type: 10W-30 or SAE 30 detergent oil with an API service classification of SJ or higher.

7. Wipe off the dipstick end with a clean cloth.
8. Insert the dipstick into the oil-fill tube, but **do not** screw it in.
9. Remove the dipstick and read the oil level on the dipstick (Figure 16).

- If the oil level is too low, add a small amount of oil slowly to the oil-fill tube, and then repeat steps 7 through 9 until the oil level on the dipstick is correct.
- If the oil level is too high, drain the excess oil until the oil level on the dipstick is correct. To drain the excess oil, refer to Changing the Engine Oil (page 11).

Important: If the oil level in the crankcase is too low or too high and you run the engine, you may damage the engine.

10. Install the dipstick securely.
11. Recycle the used oil properly.

Replacing the Blade

Service Interval: Yearly

Important: You will need a torque wrench to install the blade properly. If you do not have a torque wrench or are uncomfortable performing this procedure, contact an Authorized Service Dealer.

Examine the blade whenever you run out of gasoline. If the blade is damaged or cracked, replace it immediately. If the blade edge is dull or nicked, have it sharpened or replace it.

⚠ WARNING

The blade is sharp; contacting the blade can result in serious personal injury.

- Disconnect the wire from the spark plug.
 - Wear gloves when servicing the blade.
1. Disconnect the spark-plug wire from the spark plug. Refer to Preparing for Maintenance (page 10).
 2. Tip the machine onto its side, with the air filter up.
 3. Use a block of wood to hold the blade steady.
 4. Remove the blade (turn the blade bolt counterclockwise), saving all the mounting hardware.
 5. Install the new blade (turn the blade bolt clockwise) and all mounting hardware (Figure 18).

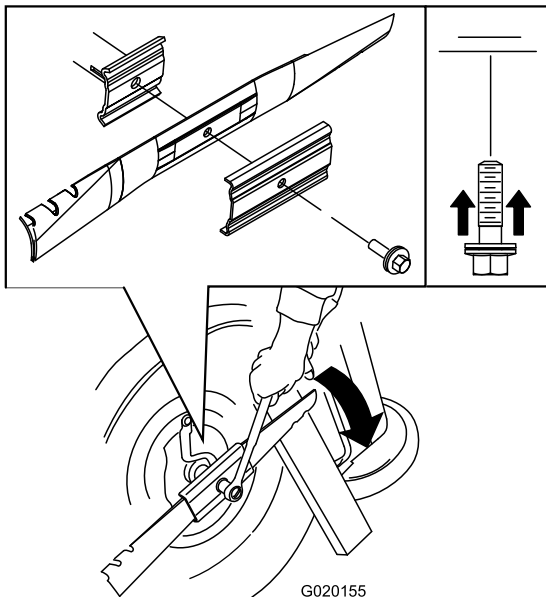


Figure 18

Important: Position the curved ends of the blade to point toward the machine housing.

6. Use a torque wrench to tighten the blade bolt to 60 ft-lb (82 N-m).

Important: A bolt torqued to 60 ft-lb (82 N-m) is very tight. While holding the blade with a block of wood, put your weight behind the ratchet or wrench and tighten the bolt securely. This bolt is very difficult to overtighten.

Cleaning the underside of the Machine

Service Interval: After each use

⚠ WARNING

The machine may dislodge material from under the machine housing.

- Wear eye protection.
 - Stay in the operating position (behind the handle).
 - Do not allow bystanders in the area.
1. With the engine running on a flat paved surface, spray a stream of water in front of the **right** rear wheel (Figure 19).
The water will splash into the path of the blade, cleaning out the clippings.

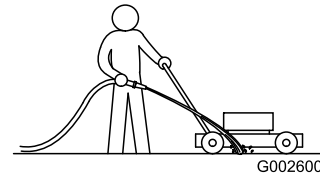


Figure 19

2. When no more clippings come out, stop the water and move the machine to a dry area.
3. Run the engine for a few minutes to dry the housing to prevent it from rusting.

Storage

Store the machine in a cool, clean, dry place.

Preparing the Machine for Storage

⚠ WARNING

Gasoline vapors can explode.

- Do not store gasoline more than 30 days.
 - Do not store the machine in an enclosure near an open flame.
 - Allow the engine to cool before storing it.
1. On the last refueling of the year, add fuel stabilizer to the fuel as directed by the engine manufacturer.
 2. Run the machine until the engine stops from running out of fuel.
 3. Prime the engine and start it again.
 4. Allow the engine to run until it stops. When you can no longer start the engine, it is sufficiently dry.
 5. Disconnect the wire from the spark plug.
 6. Remove the spark plug, add 1 oz. (30 ml) of oil through the spark plug hole, and pull the starter rope **slowly** several times to distribute oil throughout the cylinder to prevent cylinder corrosion during the off-season.
 7. Install the spark plug and tighten it with a torque wrench to 15 ft-lb (20 N-m).
 8. Tighten all nuts, bolts, and screws.

Folding the Handle

⚠ WARNING

Folding or unfolding the handle improperly can damage the cables, causing an unsafe operating condition.

- Do not damage the cables when folding or unfolding the handle.
 - If a cable is damaged, contact an Authorized Service Dealer.
1. Loosen the handle knobs until you can move the handle freely (Figure 20).

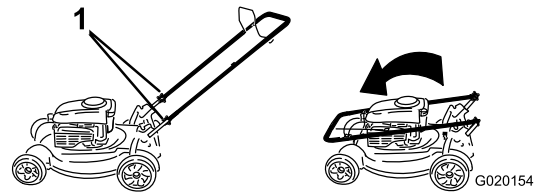


Figure 20

1. Handle knob (2)

2. Move the handle forward as shown in Figure 20.

Removing the Machine from Storage

Connect the wire to the spark plug.

Notes:

Notes:



The Toro Total Coverage Guarantee

A 2-Year Full Warranty (45 Day Limited Warranty for Commercial Use)

22 in Recycler®
20 in Mulcher/Bagger
Walk Power Mowers

The Toro GTS Starting Guarantee

A 3-Year Full Warranty (Not Applicable for Commercial Use)

Conditions and Products Covered

The Lawn-Boy Company and its affiliate, Lawn-Boy Warranty Company, pursuant to an agreement between them, jointly promise to repair the Lawn-Boy Product listed below if used for residential purposes*; if it is defective in materials or workmanship or if it stops functioning due to the failure of a component; or if the Toro GTS (Guaranteed to Start) engine will not start on the first or second pull, provided the routine maintenance required in the *Operator's Manual* have been performed.

This warranty covers the cost of parts and labor, but you must pay transportation costs.

The following time periods apply from the date of purchase:

Products	Warranty Period
22 in Recycler and 20 in Mulcher/Bagger and Attachments	2 - year full warranty
GTS (Guaranteed to Start) Engine	3 - year full warranty
Battery	3 - year full warranty
	1 - year full warranty

Limited Warranty for Commercial Use*

Gas-powered Lawn-Boy Products used for commercial, institutional, or rental use, are warranted for 45 days against defects in materials or workmanship. Components failing due to normal wear are not covered by this warranty.

The Toro GTS (Guaranteed to Start) Starting Guarantee does not apply when the product is used commercially*.

Instructions for Obtaining Warranty Service

If you think that your Lawn-Boy Product contains a defect in materials or workmanship, or if a normal, able-bodied adult can no longer start your product's engine in one or two pulls, follow this procedure:

1. Contact any Authorized Toro Service Dealer to arrange service at their dealership. To locate a dealer convenient to you, refer to the *Yellow Pages* of your telephone directory (look under "Lawn Mowers") or access our web site at www.Toro.com. You may also call the numbers listed in item #3 to use the 24-hour Lawn-Boy Dealer locator system.
2. Bring the product and your proof of purchase (sales receipt) to the Service Dealer. The dealer will diagnose the problem and determine if it is covered under warranty.
3. If for any reason you are dissatisfied with the Service Dealer's analysis or with the assistance provided, contact us at:

Customer Care Department, RLC Division
The Lawn-Boy Company
8111 Lyndale Avenue South
Bloomington, MN 55420-1196
Toll free at 866-214-9807 (U.S. customers)
Toll free at 866-214-9808 (Canadian customers)

Owner Responsibilities

You must maintain your Lawn-Boy Product by following the maintenance procedures described in the *Operator's Manual*. Such routine maintenance, whether performed by a dealer or by you, is at your expense.

Countries Other than the United States or Canada

Customers who have purchased Lawn-Boy products exported from the United States or Canada should contact their Lawn-Boy Distributor (Dealer) to obtain guarantee policies for your country, province, or state. If for any reason you are dissatisfied with your Distributor's service or have difficulty obtaining guarantee information, contact the Lawn-Boy importer. If all other remedies fail, you may contact us at Lawn-Boy Warranty Company.

Australian Consumer Law: Australian customers will find details relating to the Australian Consumer Law either inside the box or at your local Toro Dealer.

*Residential purposes means use of the product on the same lot as your home. Use at more than one location, or institutional or rental use, is considered commercial use, and the commercial use warranty would apply.

Items and Conditions Not Covered

There is no other express warranty except for special emission system coverage and engine warranty coverage on some products. This express warranty does not cover the following:

- Cost of regular maintenance service or parts, such as filters, fuel, lubricants, oil changes, spark plugs, air filters blade sharpening or worn blades, cable/linkage adjustments, or brake and clutch adjustments
- Any product or part which has been altered or misused and requires replacement or repair due to accidents or lack of proper maintenance
- Repairs necessary due to failure to use fresh fuel (less than one month old), or failure to properly prepare the unit prior to any period of non-use over one month
- Pickup and delivery charges
- Operational misuse, neglect, or accidents
- Repairs or attempted repairs by anyone other than an Authorized Lawn-Boy Service Dealer
- Repairs or adjustments to correct starting difficulties due to the following:
 - failure to follow proper maintenance procedures
 - rotary mower blade striking an object
 - contaminants in the fuel system
 - improper fuel (consult your *Operator's Manual* if in doubt)
 - failure to drain the fuel system prior to any period of non-use over one month
- Special operational conditions where starting may require more than two pulls:
 - first time starts after extended period of non-use over three months or seasonal storage
 - cool temperature starts such as those found in early spring and late autumn
 - improper starting procedures - if you are having difficulty starting your unit, please check the *Operator's Manual* to ensure that you are using the correct starting procedures. This can save an unnecessary visit to an Authorized Lawn-Boy Service Dealer.

General Conditions

All repairs covered by these warranties must be performed by an Authorized Lawn-Boy Service Dealer using Lawn-Boy-approved replacement parts. Repair by an Authorized Lawn-Boy Service Dealer is your sole remedy under this warranty.

Neither The Lawn-Boy Company nor Lawn-Boy Warranty Company is liable for indirect, incidental, or consequential damages in connection with the use of the Toro Products covered by these warranties, including any cost or expense of providing substitute equipment or service during reasonable periods of malfunction or non-use pending completion of repairs under these warranties.

Some states do not allow exclusions of incidental or consequential damages, so the above exclusions may not apply to you.

This warranty gives you specific legal rights, and you may also have other rights which vary from state to state.



Cortacésped Recycler®/Ensacado trasero de 20 pulgadas

Nº de modelo 20318—Nº de serie 313000001 y superiores

Manual del operador

Introducción

Este cortacésped dirigido de cuchillas rotativas está diseñado para ser usado por usuarios domésticos o por operadores profesionales contratados. Está diseñado principalmente para segar césped bien mantenido en zonas verdes residenciales o comerciales. No está diseñado para cortar maleza o para aplicaciones agrícolas.

Lea este manual detenidamente para aprender a utilizar y mantener correctamente su producto, y para evitar lesiones y daños al producto. Usted es el responsable de operar el producto de forma correcta y segura.

Puede dirigirse directamente a Toro: www.Toro.com para buscar información sobre productos y accesorios, para localizar un distribuidor o para registrar su producto.

Quando necesite asistencia técnica, piezas genuinas Toro o información adicional, póngase en contacto con un Servicio Técnico Autorizado o con Asistencia al Cliente Toro, y tenga a mano los números de modelo y serie de su producto. Figura 1 identifica la ubicación de los números de modelo y serie en el producto. Escriba los números en el espacio provisto.

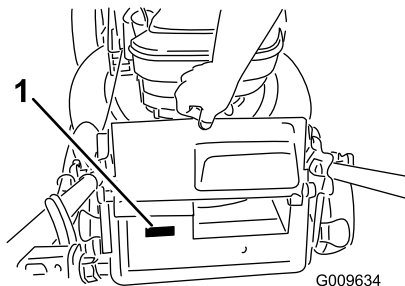


Figura 1

1. Placa con los números de modelo y de serie

Nº de modelo _____
Nº de serie _____

Este manual identifica peligros potenciales y contiene mensajes de seguridad identificados por el símbolo de alerta de seguridad (Figura 2), que señala un peligro que puede causar lesiones graves o la muerte si usted no sigue las precauciones recomendadas.



Figura 2

1. Símbolo de alerta de seguridad

Este manual utiliza 2 palabras para resaltar información. **Importante** llama la atención sobre información mecánica especial, y **Nota** resalta información general que merece una atención especial.

ADVERTENCIA

CALIFORNIA

Advertencia de la Propuesta 65

Este producto contiene una o más sustancias químicas que el Estado de California considera causantes de cáncer, defectos congénitos u otros trastornos del sistema reproductor.

Los gases de escape de este producto contienen sustancias químicas que en estado de California considera causantes de cáncer, defectos congénitos y otros trastornos del sistema reproductor.

Contenido

Introducción	1
Operación general	2
Operación en pendientes	2
Niños	3
Mantenimiento	3
Pegatinas de seguridad e instrucciones	4
Montaje	5
Instalación del agarradero	5
Instalación de la cuerda de arranque en la guía de la cuerda	5
Llenado del cárter de aceite	5
El producto	6
Operación	7
Accesorios y aperos	7
Cómo llenar el depósito de combustible	7
Verificación del nivel de aceite del motor	7
Ajuste de la altura de corte	8
Cómo arrancar el motor	8



Cómo parar el motor	8
Reciclado de los recortes	9
Ensamblado de los recortes	9
Consejos de operación	9
Mantenimiento	11
Calendario recomendado de mantenimiento	11
Preparación para el mantenimiento	11
Mantenimiento del limpiador de aire	12
Cómo cambiar el aceite del motor	12
Cómo cambiar la cuchilla.....	13
Limpieza de los bajos de la máquina.....	13
Almacenamiento	14
Preparación de la máquina para el almacenamiento	14
Cómo plegar el manillar.....	15
Después del almacenamiento	15

Seguridad

Este cortacésped cumple o supera los requisitos de seguridad de cuchillas CPSC para cortacéspedes giratorios dirigidos y las especificaciones B71.1 del Instituto Norteamericano de Estándares Nacionales en vigor en el momento de fabricación.

Lea y comprenda el contenido de este manual antes de arrancar el motor.

El símbolo de alerta de seguridad (Figura 2) se utiliza para advertirle sobre potenciales riesgos de lesiones personales. Observe siempre todos los mensajes de seguridad que siguen a este símbolo con el fin de evitar posibles lesiones o la muerte. El uso o mantenimiento incorrectos de este cortacésped pueden causar lesiones o la muerte. Para reducir esta posibilidad, cumpla las siguientes instrucciones de seguridad.

Las siguientes instrucciones han sido adaptadas de la norma ANSI/OPEIB71.1-2003.

Esta máquina de corte es capaz de amputar manos y pies y de lanzar objetos al aire. El no observar las siguientes instrucciones de seguridad puede dar lugar a lesiones corporales graves e incluso la muerte.

Operación general

- Lea, comprenda y siga todas las instrucciones del/de los manual(es) y las colocadas en la máquina antes de arrancar ésta.
- No coloque las manos o los pies cerca de la máquina o debajo de ésta. Manténgase alejado del conducto de descarga en todo momento.
- Sólo permita que utilicen esta máquina adultos responsables y familiarizados con las instrucciones.
- Despeje la zona de objetos tales como piedras, alambres, juguetes, etc., que podrían ser arrojados por la cuchilla. Permanezca detrás del manillar cuando el motor está en marcha.

- Asegúrese de que no haya otras personas en la zona antes de usar la máquina. Pare la máquina si alguien entra en la zona.
- No utilice la máquina si usted está descalzo o lleva sandalias. Lleve siempre calzado fuerte.
- No tire hacia atrás de la máquina a menos que sea absolutamente necesario. Antes de desplazarse hacia atrás y mientras lo hace, mire siempre hacia abajo y detrás de usted.
- No dirija nunca el material descargado hacia nadie. Evite descargar material contra una pared u otra obstrucción. El material podría rebotar hacia el operador. Pare la cuchilla al cruzar superficies de grava.
- No haga funcionar la máquina si no están colocados y funcionando el recogedor completo, el protector de descarga, el protector trasero u otros dispositivos de protección.
- No deje nunca desatendida la máquina si está funcionando.
- Pare el motor y espere hasta que la cuchilla se detenga completamente antes de limpiar la máquina, retirar el recogedor o desatascar el protector de descarga.
- Utilice la máquina solamente con luz natural o con una buena iluminación artificial.
- No utilice la máquina bajo la influencia de drogas o alcohol.
- No utilice nunca el cortacésped en hierba mojada. Asegúrese de pisar firmemente; camine; no corra nunca.
- Desengrane el sistema de transmisión, si la máquina está equipada con uno, antes de arrancar el motor.
- Si la máquina comienza a vibrar de manera anormal, pare el motor y compruebe la causa inmediatamente. La vibración suele ser un aviso de problemas.
- Siempre utilice protección ocular al usar la máquina.
- Los rayos pueden causar graves lesiones o incluso la muerte. Si se ven relámpagos o rayos o se oyen truenos en la zona, no utilice la máquina; busque un lugar donde resguardarse.
- Consulte las instrucciones del fabricante respecto a la forma correcta de instalar y utilizar los accesorios. Utilice solamente accesorios homologados por el fabricante.

Operación en pendientes

Las pendientes son un factor de primera importancia relacionado con accidentes, especialmente resbalones y caídas, que pueden causar lesiones graves. En todas las pendientes y cuestas se necesita tener un cuidado especial. Si usted no se siente con confianza en una pendiente, no la siegue.

- Siegue de través las cuestas y pendientes, nunca hacia arriba o hacia abajo. Extreme las precauciones al cambiar de dirección en cuestas o pendientes.

- Esté alerta a agujeros, surcos, montículos, rocas u otros objetos ocultos. Los terrenos desiguales pueden causar caídas y resbalones. La hierba alta puede ocultar obstáculos.
- No siegue la hierba mojada o en pendientes excesivamente empinadas. Si no pisa firme, puede resbalar y caer.
- No siegue cerca de terraplenes, fosas o taludes. Usted podría perder el equilibrio o resbalar.

Niños

Pueden ocurrir accidentes trágicos si el operador no está alerta a la presencia de niños. A menudo los niños se sienten atraídos por la máquina y la actividad de segar. **No suponga nunca** que los niños vayan a permanecer en el último lugar en que los vio.

- Mantenga a los niños alejados de la zona de siega y bajo la atenta mirada de un adulto responsable que no sea el operador.
- Esté alerta y pare el cortacésped si entran niños en la zona.
- Nunca permita a los niños utilizar la máquina.
- Extreme la precaución al acercarse a esquinas ciegas, arbustos, árboles u otros objetos que puedan impedir que usted vea un niño.

Mantenimiento

Manejo seguro de la gasolina

Para evitar lesiones personales o daños materiales, extreme las precauciones al manejar la gasolina. La gasolina es extremadamente inflamable y los vapores son explosivos.

- Apague cualquier cigarrillo, cigarro, pipa u otra fuente de ignición.
- Utilice solamente un recipiente de gasolina homologado.
- No retire nunca el tapón de combustible ni añada combustible con el motor en marcha. Deje que se enfríe el motor antes de repostar combustible.
- No reposte nunca la máquina en un recinto cerrado.
- No guarde nunca la máquina o un recipiente de combustible cerca de una llama desnuda, chispa o llama piloto, por ejemplo en un calentador de agua u otro electrodoméstico.
- No llene nunca los recipientes dentro de un vehículo o sobre la plataforma de un camión o remolque con forro de plástico. Coloque siempre los recipientes de gasolina en el suelo, lejos del vehículo, antes de llenarlos.
- Retire un equipo con motor de gasolina del camión o del remolque y repóstele en el suelo. Si esto no es posible, reposte el equipo desde un recipiente portátil, en vez de usar un surtidor o boquilla dosificadora de gasolina.

- Mantenga la boquilla en contacto con el borde del depósito de combustible o el orificio del recipiente en todo momento hasta que termine de repostar. No utilice dispositivos que mantengan abierta la boquilla.
- Si se derrama combustible sobre su ropa, cámbiese de ropa inmediatamente.
- Nunca llene demasiado el depósito de combustible. Vuelva a colocar el tapón de gasolina y apriételo firmemente.

▲ ADVERTENCIA

Los gases de escape del motor contienen monóxido de carbono, que es un veneno inodoro que puede matarle.

No haga funcionar el motor dentro de un edificio o en un lugar cerrado.

Mantenimiento general

- No haga funcionar nunca la máquina en un lugar cerrado.
- Mantenga apretados todos los pernos y tuercas para asegurarse de que el equipo está en condiciones de funcionamiento seguras.
- No manipule nunca los dispositivos de seguridad. Compruebe regularmente que funcionan correctamente.
- Mantenga la máquina libre de acumulaciones de hierba, hojas y otros residuos. Limpie cualquier derrame de aceite o combustible y retire cualquier residuo empapado en combustible. Deje que se enfríe la máquina antes de almacenarla.
- Si golpea un objeto extraño, pare e inspeccione la máquina. Si es necesario, repárela antes de arrancar de nuevo.
- Nunca haga ajustes o reparaciones con el motor en marcha. Desconecte el cable de la bujía y haga masa con él contra el motor para evitar un arranque accidental.
- Compruebe frecuentemente los componentes del recogedor y el protector de descarga y sustitúyalos por piezas recomendadas por el fabricante cuando sea necesario.
- Las cuchillas del cortacésped están muy afiladas. Envuelva la cuchilla o lleve guantes, y extreme las precauciones al manejar las cuchillas.
- No cambie los ajustes del regulador del motor ni haga funcionar el motor a una velocidad excesiva.
- Revise o sustituya las pegatinas de seguridad e instrucciones cuando sea necesario.

Pegatinas de seguridad e instrucciones

Importante: Hay pegatinas de seguridad e instrucciones colocadas cerca de zonas de potencial peligro. Sustituya cualquier pegatina dañada.



94-8072

CALIFORNIA SPARK ARRESTER WARNING

Operation of this equipment may create sparks that can start fires around dry vegetation. A spark arrester may be required. The operator should contact local fire agencies for laws or regulations relating to fire prevention requirements. 117-2718

117-2718



117-4143

1. Advertencia – lea el *Manual del operador*.
2. Peligro de objetos arrojados – mantenga a otras personas a una distancia prudencial de la máquina.
3. Peligro de corte/desmembramiento de mano o pie, cuchilla del cortacésped–desconecte el cable de la bujía y lea las instrucciones antes de realizar cualquier tarea de mantenimiento.
4. Peligro de corte/desmembramiento de mano o pie, cuchillas del cortacésped – no se acerque a las piezas en movimiento y mantenga colocados todos los protectores.
5. Peligro de corte/desmembramiento de mano o pie, cuchilla del cortacésped–no siegue las pendientes hacia arriba/abajo; siegue las pendientes de través; pare el cortacésped y el motor, y recoja cualquier residuo antes de empezar a segar; mire hacia atrás y hacia abajo mientras conduce en marcha atrás.

Montaje

Importante: Retire y deseche la hoja protectora de plástico que cubre el motor.

Instalación del agarradero

⚠ ADVERTENCIA

Si pliega o despliega el manillar de forma incorrecta, pueden dañarse los cables, creando unas condiciones de operación inseguras.

- No dañe los cables al plegar o desplegar el manillar.
- Si un cable está dañado, póngase en contacto con el Servicio Técnico Autorizado.

1. Retire los pomos del manillar de la carcasa de la máquina.
2. Mueva el manillar a la posición de operación (Figura 3).

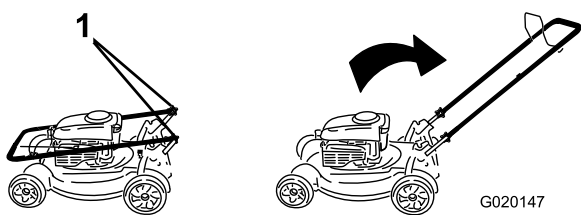


Figura 3

1. Pomo del manillar (2)

Importante: Asegúrese de que los cables quedan por fuera del manillar al instalar el manillar.

3. Instale los pomos del manillar y apriételos firmemente a mano (Figura 3).

Instalación de la cuerda de arranque en la guía de la cuerda

Importante: Para arrancar el motor de forma segura y fácil cada vez que utilice la máquina, instale la cuerda de arranque en la guía de la cuerda.

Sujete la barra de control de las cuchillas contra el manillar superior y pase la cuerda de arranque a través de la guía del manillar (Figura 4).

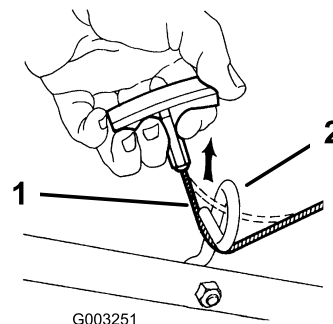


Figura 4

1. Cuerda de arranque
2. Guía de la cuerda

Llenado del cárter de aceite

Importante: Su máquina se suministra sin aceite en el motor. Antes de arrancar el motor, llene el motor de aceite.

1. Lleve la máquina a una superficie nivelada.
2. Retire la varilla (Figura 5) y vierta aproximadamente tres cuartas partes de la capacidad total del cárter por el tubo de llenado de aceite.

Nota: Capacidad máxima: 0.65 l (22 onzas), tipo: 10W-30 o SAE 30, aceite detergente con clasificación de servicio API, SJ, o superior.

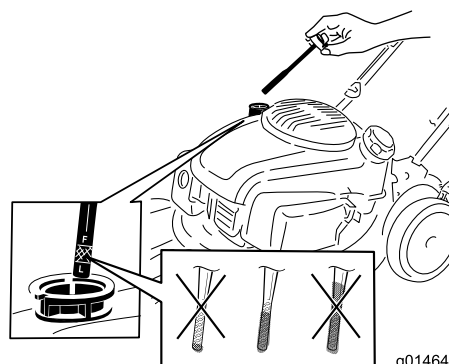


Figura 5

3. Limpie el extremo de la varilla con un paño limpio.
4. Introduzca la varilla en el tubo de llenado de aceite, pero no la enrosque.

5. Retire la varilla y compruebe el nivel de aceite en la misma (Figura 5).
- Si el nivel de aceite es demasiado bajo, añada lentamente una pequeña cantidad de aceite por el tubo de llenado y repita los pasos 3 a 5 hasta que el nivel del aceite en la varilla sea correcto.
 - Si el nivel de aceite es demasiado alto, drene el exceso de aceite hasta que el nivel de aceite en la varilla sea correcto. Para vaciar el exceso de aceite, consulte *Cómo cambiar el aceite del motor* (página 12).

Importante: Si el nivel de aceite del motor es demasiado bajo o demasiado alto y usted arranca el motor, puede dañar el motor.

6. Instale la varilla firmemente.

Importante: *Cambie el aceite del motor después de las primeras 5 horas de operación, y después cada año. Consulte *Cómo cambiar el aceite del motor* (página 12).*

El producto

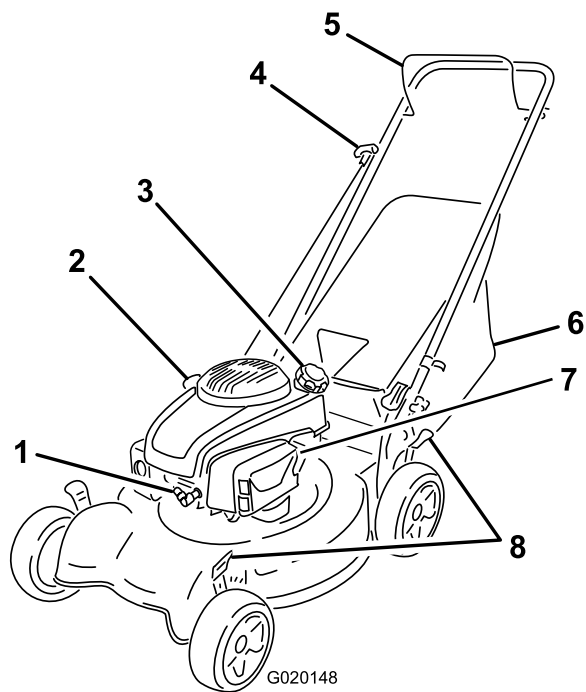


Figura 6

- | | |
|--|--------------------------------------|
| 1. Bujía | 5. Barra de control de las cuchillas |
| 2. Varilla/orificio de llenado de aceite | 6. Bolsa de recogida |
| 3. Tapón del depósito de combustible | 7. Filtro de aire |
| 4. Arrancador | 8. Palancas de altura de corte (4) |

Operación

Accesorios y aperos

Está disponible una selección de accesorios y aperos homologados por Toro que se pueden utilizar con la máquina a fin de potenciar y aumentar sus prestaciones. Póngase en contacto con su Concesionario o Servicio Técnico Autorizado o visite www.Toro.com para obtener una lista de todos los accesorios y aperos homologados.

Cómo llenar el depósito de combustible

⚠ PELIGRO

La gasolina es altamente inflamable y explosiva. Un incendio o una explosión provocado(a) por la gasolina puede causarle quemaduras a usted y a otras personas.

- Para evitar que una carga estática incendie la gasolina, coloque el recipiente y/o la máquina directamente sobre el suelo antes de repostar, no en un vehículo o sobre otro objeto.
- Llene el depósito en el exterior cuando el motor esté frío. Limpie cualquier derrame.
- No maneje gasolina si está fumando, ni cerca de una llama desnuda o chispas.
- Almacene la gasolina en un recipiente homologado y manténgala fuera del alcance de los niños.
- Para obtener los mejores resultados, utilice solamente gasolina fresca, sin plomo, de 87 o más octanos (método de cálculo $(R+M)/2$).
- Son aceptables los combustibles oxigenados con hasta el 10% de etanol o el 15% de MTBE por volumen.
- No utilice mezclas de gasolina con etanol (por ejemplo, E15 o E85) con más del 10% de etanol por volumen. Pueden provocar problemas de rendimiento o daños en el motor que pueden no estar cubiertos bajo la garantía.
- No utilice gasolina que contenga metanol.
- No guarde combustible en el depósito de combustible o en recipientes de combustible durante el invierno a menos que haya añadido un estabilizador.

Importante: Para reducir los problemas de arranque, añada estabilizador de combustible al combustible durante toda la temporada, mezclándolo con gasolina comprado hace menos de treinta días.

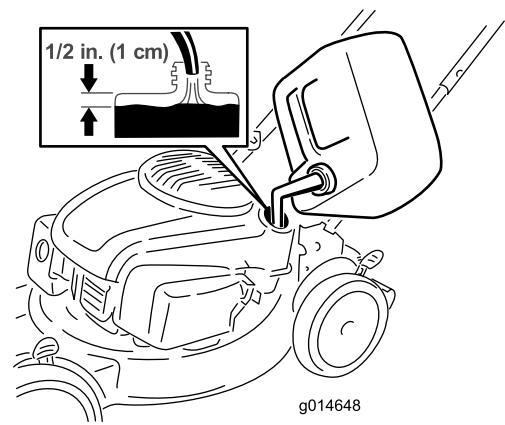


Figura 7

Verificación del nivel de aceite del motor

Intervalo de mantenimiento: Cada vez que se utilice o diariamente

Capacidad máxima: 0.65 l (22 onzas), tipo: 10W-30 o SAE 30, aceite detergente con clasificación de servicio API, SJ, o superior.

1. Lleve la máquina a una superficie nivelada.
2. Retire la varilla (Figura 8).

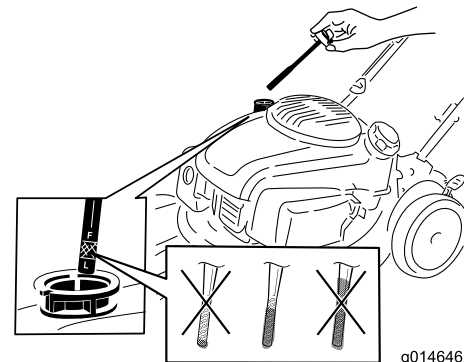


Figura 8

3. Limpie el extremo de la varilla con un paño limpio.
4. Introduzca la varilla en el tubo de llenado de aceite, pero no la enrosque.
5. Retire la varilla y observe el nivel de aceite; consulte Figura 8.
 - Si el nivel de aceite es demasiado bajo, añada una pequeña cantidad de aceite lentamente por el tubo de llenado y repita los pasos 3 a 5 hasta que el nivel del aceite en la varilla sea correcto.
 - Si el nivel de aceite es demasiado alto, drene el exceso de aceite hasta que el nivel de aceite en la varilla sea correcto. Para vaciar el exceso de aceite, consulte Cómo cambiar el aceite del motor (página 12).

Importante: Si el nivel de aceite del motor es demasiado bajo o demasiado alto y usted arranca el motor, puede dañar el motor.

6. Instale la varilla firmemente.

Ajuste de la altura de corte

⚠ ADVERTENCIA

Al ajustar la altura de corte, usted podría tocar la cuchilla en movimiento, lo que podría causarle graves lesiones.

- Pare el motor y espere a que se detengan todas las piezas en movimiento.
- No ponga los dedos debajo de la carcasa al ajustar la altura de corte.

⚠ CUIDADO

Si el motor ha estado en marcha, el silenciador estará muy caliente y puede causarle quemaduras graves. Manténgase alejado del silenciador si éste está caliente.

Ajuste la altura de corte según desee. Ajuste las cuatro ruedas a la misma altura.

Nota: Para elevar la máquina, mueva todas las palancas de altura de corte hacia adelante; para bajar la máquina, mueva todas las palancas de altura de corte hacia atrás (Figura 9).

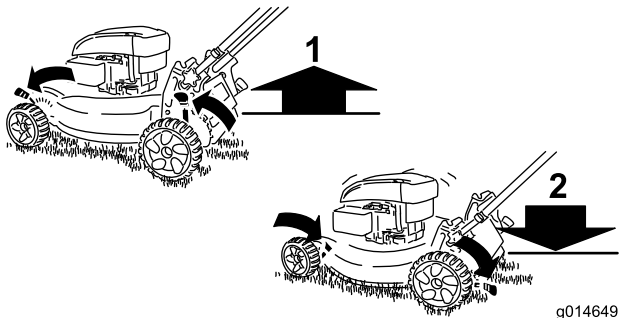


Figura 9

1. Elevar la máquina
2. Bajar la máquina

Nota: Las alturas de corte son 1 pulgada (25 mm); 1-1/2 pulgadas (38 mm); 2 pulgadas (51 mm); 2-1/2 pulgadas (64 mm); 3 pulgadas (76 mm); 3-1/2 pulgadas (89 mm); y 4 pulgadas (102 mm).

Cómo arrancar el motor

1. Sujete la barra de control de las cuchillas (Figura 10) contra el manillar.

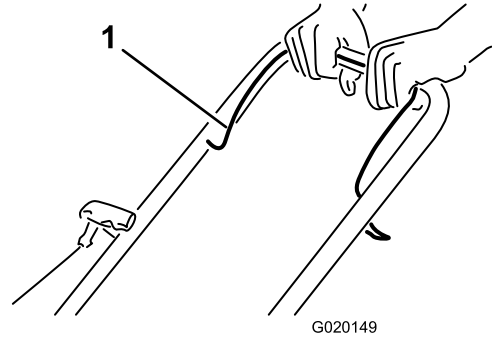


Figura 10

1. Barra de control de las cuchillas

2. Tire de la cuerda de arranque (Figura 11).

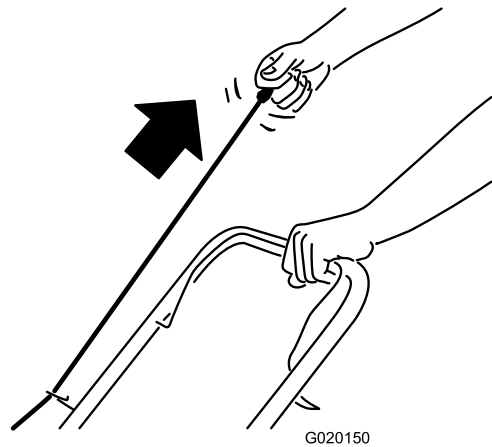


Figura 11

Nota: Si la máquina no arranca después de varios intentos, póngase en contacto con el Servicio Técnico Autorizado.

Cómo parar el motor

Intervalo de mantenimiento: Cada vez que se utilice o diariamente

Para parar el motor, suelte la barra de control de la cuchilla (Figura 12).

Importante: Cuando suelte la barra de control de la cuchilla, tanto el motor como la cuchilla deberán detenerse en 3 segundos o menos. Si no se paran correctamente, deje de usar la máquina inmediatamente y póngase en contacto con un Servicio Técnico Autorizado.

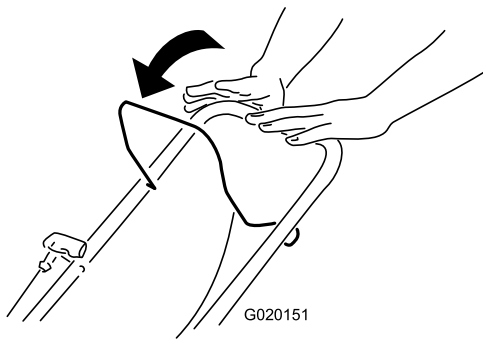


Figura 12

Instalación de la bolsa de recogida

1. Levante el deflector trasero (Figura 13).

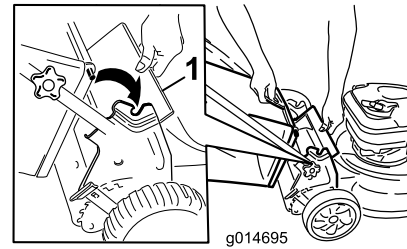


Figura 13

1. Deflector trasero
2. Introduzca el asa de la bolsa de recogida en las muescas de los soportes del manillar (Figura 13).

Reciclado de los recortes

Su máquina viene preparada de fábrica para picar los recortes de hierba y hojas y devolverlos al césped.

Si la bolsa de recogida está instalada en la máquina, retírela antes de proceder al picado de los recortes (mulching). Consulte Cómo retirar la bolsa de recogida (página 9).

Ensamado de los recortes

Utilice la bolsa de recogida si desea recoger los recortes de hierba y hojas del césped.

⚠ ADVERTENCIA

Si la bolsa de recogida está desgastada, pueden arrojarse pequeñas piedras y otros residuos similares a la zona donde está el operador u otra persona, provocando lesiones personales graves o la muerte al operador o a la otra persona.

Compruebe la bolsa de recogida con frecuencia. Si está dañada, instale una bolsa de recambio Lawn-Boy nueva.

⚠ ADVERTENCIA

La cuchilla está muy afilada; cualquier contacto con la cuchilla puede causar lesiones personales graves.

Pare el motor y espere a que se detengan todas las piezas en movimiento antes de abandonar el puesto del operador.

Cómo retirar la bolsa de recogida

1. Levante el deflector trasero (Figura 13).
2. Retire el asa de la bolsa de recogida de las muescas de los soportes del manillar y retire la bolsa de la máquina.
3. Cierre el deflector trasero.

Consejos de operación

Consejos generales de siega

- Despeje la zona de palos, piedras, alambres, ramas y otros residuos que podrían ser golpeados por la cuchilla.
- Evite golpear objetos sólidos con la cuchilla. No siegue nunca por encima de ningún objeto.
- Si la máquina golpea un objeto o empieza a vibrar, pare inmediatamente el motor, desconecte el cable de la bujía e inspeccione la máquina en busca de daños.
- Para obtener el mejor rendimiento, instale una cuchilla nueva antes de que empiece la temporada de siega.
- Sustituya la cuchilla cuando sea preciso por una cuchilla de repuesto Lawn-Boy.

Cómo cortar la hierba

- Corte solamente un tercio de la hoja de hierba cada vez. No corte con un ajuste inferior a 51 mm (2 pulg.) a menos que la hierba sea escasa, o a finales del otoño cuando el ritmo de crecimiento de la hierba empieza a decaer. Consulte Ajuste de la altura de corte (página 8).
- Cuando corte hierba de más de 15 cm (6 pulgadas) de alto, siegue primero usando la altura de corte más alta y ande despacio, luego siegue de nuevo a una altura menor para obtener el mejor aspecto de césped. Si la hierba es demasiado larga, puede atascar la máquina y hacer que se cale el motor.
- Siegue solamente hierba u hojas secas. La hierba mojada y las hojas mojadas tienden a pegarse al suelo, y pueden atascar la máquina o hacer que se cale el motor.

⚠ ADVERTENCIA

La hierba mojada o las hojas mojadas pueden causarle graves lesiones si usted resbala y toca la cuchilla. Siegue solamente en condiciones secas.

- Alterne la dirección de corte. Esto ayuda a dispersar los recortes en todo el césped, dando una fertilización más homogénea.
- Si el aspecto final del césped no es satisfactorio, pruebe a:
 - Cambiar la cuchilla o mandarla a afilar.
 - Caminar más despacio mientras siega.
 - Elevar la altura de corte de la máquina.
 - Cortar el césped con más frecuencia.
 - Solapar los pasillos de corte en lugar de cortar un pasillo completo en cada pasada.
 - Ajustar la altura de corte una muesca menos en las ruedas delanteras que en las traseras. Por ejemplo, ajuste las ruedas delanteras a 51 mm (2 pulg.) y las traseras a 64 mm (2-1/2 pulg.).

Cómo cortar hojas

- Después de segar el césped, asegúrese de que la mitad del césped se ve a través de la cobertura de hojas cortadas. Es posible que tenga que hacer más de una pasada por encima de las hojas.
- Si hay más de 13 cm (5 pulg.) de hojas en el césped, ajuste la altura de corte de las ruedas delanteras una muesca o dos más alta que la de las ruedas traseras.
- Siegue más despacio si la máquina no corta las hojas suficientemente finas.

Mantenimiento

Nota: Los lados derecho e izquierdo de la máquina se determinan desde la posición normal del operador.

Calendario recomendado de mantenimiento

Intervalo de mantenimiento y servicio	Procedimiento de mantenimiento
Después de las primeras 5 horas	<ul style="list-style-type: none">• Cambie el aceite del motor.
Cada vez que se utilice o diariamente	<ul style="list-style-type: none">• Compruebe el nivel de aceite del motor.• Asegúrese de que el motor se para en el plazo de 3 segundos después de soltar la barra de control de la cuchilla.
Después de cada uso	<ul style="list-style-type: none">• Limpie los recortes de hierba y la suciedad de debajo de la máquina.
Cada 25 horas	<ul style="list-style-type: none">• Compruebe que el limpiador de aire no tenga piezas sucias, sueltas o dañadas, y límpielas o cámbielas si es necesario.
Cada 50 horas	<ul style="list-style-type: none">• Cambie el aceite del motor.
Cada 100 horas	<ul style="list-style-type: none">• Cambie el elemento del limpiador de aire (con mayor frecuencia si utiliza la máquina en condiciones de mucho polvo o arena).• Limpie el sistema de refrigeración (consulte el manual del propietario del motor).• Cambie la bujía.
Antes del almacenamiento	<ul style="list-style-type: none">• Vacíe el depósito de combustible antes de efectuar reparaciones, según las instrucciones, y antes del almacenamiento anual.
Cada año	<ul style="list-style-type: none">• Cambie la cuchilla o haga que la afilen (más a menudo si se desafilan rápidamente).• Consulte en el Manual del operador del motor procedimientos de mantenimiento anuales adicionales.

Importante: Consulte en el *Manual del operador del motor* procedimientos adicionales de mantenimiento.

Preparación para el mantenimiento

1. Pare el motor y espere a que se detengan todas las piezas en movimiento.
2. Desconecte el cable de la bujía (Figura 14) antes de realizar cualquier procedimiento de mantenimiento.

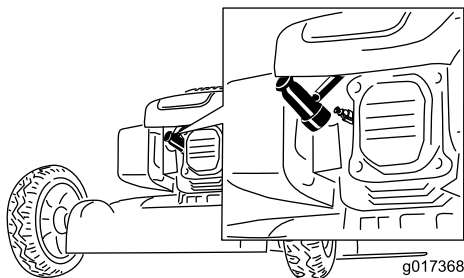


Figura 14

1. Cable de la bujía

3. Después de realizar los procedimientos de mantenimiento, conecte el cable de la bujía a la bujía.

Importante: Antes de inclinar la máquina para cambiar el aceite o sustituir la cuchilla, deje que

se vacíe el depósito de combustible con el uso normal. Si es imprescindible inclinar la máquina antes de que se acabe el combustible, utilice una bomba manual para retirar el combustible. Siempre coloque la máquina de lado (con la varilla de aceite hacia abajo).

⚠ ADVERTENCIA

Al volcar la máquina, puede haber fugas de combustible. La gasolina es inflamable y explosiva, y puede causar lesiones personales.

Deje funcionar el motor hasta que no quede combustible, o retire la gasolina con una bomba de mano; nunca utilice un sifón.

Mantenimiento del limpiador de aire

Intervalo de mantenimiento: Cada 25 horas/Cada año (lo que ocurra primero)—Compruebe que el limpiador de aire no tenga piezas sucias, sueltas o dañadas, y límpielas o cámbielas si es necesario.

Cada 100 horas/Cada año (lo que ocurra primero)

1. Lleve a cabo los procedimientos de pre-mantenimiento; consulte Preparación para el mantenimiento (página 11).
2. Desenrosque y abra la tapa del limpiador de aire (Figura 15).

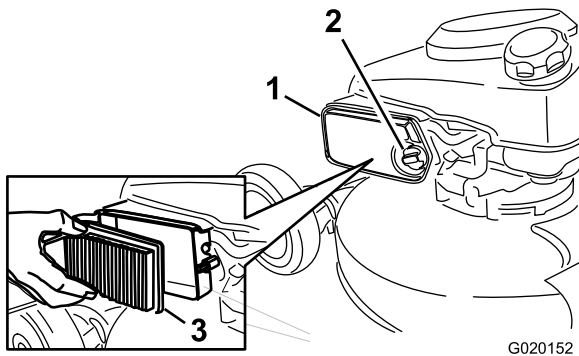


Figura 15

1. Tornillo
2. Tapa del limpiador de aire
3. Elemento del limpiador de aire

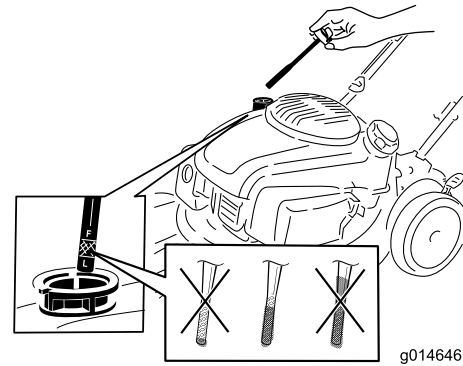


Figura 16

3. Coloque un recipiente de aceite usado junto a la máquina y cerca de la varilla.
4. Coloque la máquina de lado con la varilla de aceite hacia abajo para drenar el aceite usado a través del tubo de llenado de aceite (Figura 17).

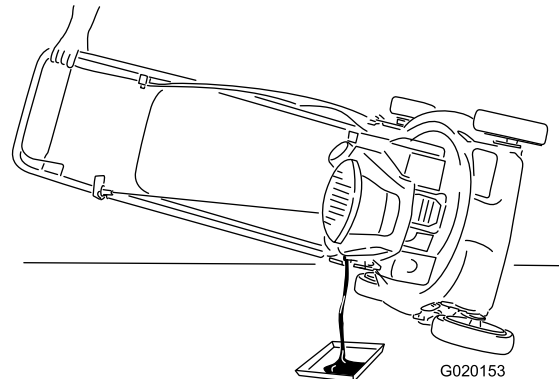


Figura 17

3. Cambie el elemento del limpiador de aire.
 4. Instale la tapa del limpiador de aire.
5. Después de drenar el aceite usado, ponga la máquina en su posición normal de uso.
 6. Retire la varilla y vierta aproximadamente tres cuartas partes de la capacidad total del cárter por el tubo de llenado de aceite.
 7. Limpie el extremo de la varilla con un paño limpio.
 8. Introduzca la varilla en el tubo de llenado de aceite, **pero no la enrosque**.
 9. Retire la varilla y compruebe el nivel de aceite en la misma (Figura 16).

Nota: Capacidad máxima: 0.65 l (22 onzas), tipo: 10W-30 o SAE 30, aceite detergente con clasificación de servicio API, SJ, o superior.

- Si el nivel de aceite es demasiado bajo, añada lentamente una pequeña cantidad de aceite por el tubo de llenado y repita los pasos 7 a 9 hasta que el nivel del aceite en la varilla sea correcto.
- Si el nivel de aceite es demasiado alto, drene el exceso de aceite hasta que el nivel de aceite en la varilla sea correcto.

Cómo cambiar el aceite del motor

Intervalo de mantenimiento: Después de las primeras 5 horas

Cada 50 horas/Cada año (lo que ocurra primero)

Haga funcionar el motor durante unos minutos antes de cambiar el aceite para calentar el aceite. El aceite caliente fluye mejor y transporta más contaminantes.

1. Lleve a cabo los procedimientos de pre-mantenimiento; consulte Preparación para el mantenimiento (página 11).
2. Retire la varilla (Figura 16).

Para vaciar el exceso de aceite, consulte
Cómo cambiar el aceite del motor (página 12).

Importante: Si el nivel de aceite del motor es demasiado bajo o demasiado alto y usted arranca el motor, puede dañar el motor.

10. Instale la varilla firmemente.
11. Recicle correctamente el aceite usado.

Cómo cambiar la cuchilla

Intervalo de mantenimiento: Cada año

Importante: *Usted necesitará una llave dinamométrica para instalar la cuchilla correctamente. Si no dispone de una llave dinamométrica o prefiere no realizar este procedimiento, póngase en contacto con el Servicio Técnico Autorizado.*

Examine la cuchilla cada vez que se acabe la gasolina. Si la cuchilla está dañada o agrietada, sustitúyala inmediatamente. Si el filo de la cuchilla está romo o tiene desperfectos, mande afilar la cuchilla o cámbiela.

⚠ ADVERTENCIA

La cuchilla está muy afilada; cualquier contacto con la cuchilla puede causar lesiones personales graves.

- Desconecte el cable de la bujía.
 - Lleve guantes al realizar el mantenimiento de la cuchilla.
1. Desconecte el cable de la bujía. Consulte Preparación para el mantenimiento (página 11).
 2. Coloque la máquina de lado con el filtro de aire hacia arriba.
 3. Utilice un bloque de madera para inmovilizar la cuchilla.
 4. Retire la cuchilla (gire el perno de la cuchilla en el sentido contrario a las agujas del reloj) y guarde todos los herrajes de montaje.
 5. Instale la cuchilla nueva (gire el perno de la cuchilla en el sentido de las agujas del reloj) y todos los herrajes de montaje (Figura 18).

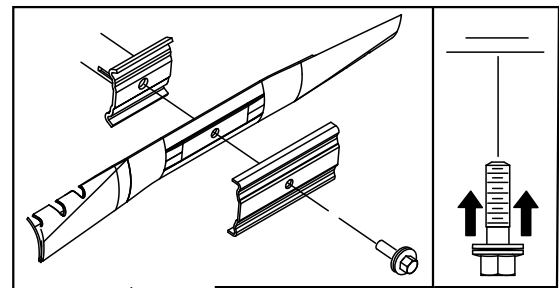


Figura 18

Importante: Coloque la cuchilla con los extremos curvos orientados hacia la carcasa de la máquina.

6. Utilice una llave dinamométrica para apretar el perno de la cuchilla a 82 Nm (60 pies-libra).

Importante: Un perno apretado a 82 Nm (60 pies-libra) queda muy firme. Mientras sujeta la cuchilla con un bloque de madera, aplique toda su fuerza a la llave y apriete el perno firmemente. Será muy difícil apretar este perno demasiado.

Limpieza de los bajos de la máquina.

Intervalo de mantenimiento: Después de cada uso

⚠ ADVERTENCIA

La máquina puede soltar material de debajo de la carcasa.

- Lleve protección ocular.
 - Permanezca en la posición de operación (detrás del manillar).
 - No permita la presencia de otras personas en la zona.
1. Con el motor en marcha sobre una superficie plana pavimentada, dirija un chorro de agua hacia delante de la rueda trasera **derecha** (Figura 19).
El agua entrará en la zona de la cuchilla, arrastrando los recortes.

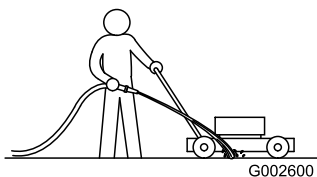


Figura 19

2. Cuando ya no salgan más recortes, cierre el grifo del agua y mueva la máquina a una zona seca.
3. Haga funcionar el motor durante unos minutos para que se seque la carcasa, evitando que se oxide.

Almacenamiento

Almacene la máquina en un lugar fresco, limpio y seco.

Preparación de la máquina para el almacenamiento

⚠ ADVERTENCIA

Los vapores de la gasolina pueden explotar.

- No guarde la gasolina durante más de 30 días.
 - No guarde la máquina en un lugar cerrado cerca de una llama desnuda.
 - Deje que se enfríe el motor antes de guardarlo.
1. En el último repostaje del año, añada estabilizador al combustible siguiendo las instrucciones del fabricante del motor.
 2. Haga funcionar la máquina hasta que el motor se pare por haberse quedado sin gasolina.
 3. Cebe el motor y arránquelo de nuevo.
 4. Deje que funcione el motor hasta que se pare. Cuando ya no se puede arrancar el motor, está suficientemente seco.
 5. Desconecte el cable de la bujía.
 6. Retire la bujía, añada 30 ml (1 onza) de aceite a través del orificio de la bujía, y tire de la cuerda del arrancador **lentamente** varias veces para que se distribuya el aceite por el cilindro, con el fin de evitar la corrosión durante el periodo de inactividad.
 7. Instale la bujía y apriétela con una llave dinamométrica a 20 Nm (15 pies-libra).
 8. Apriete todos los pernos, tuercas y tornillos.

Cómo plegar el manillar

⚠ ADVERTENCIA

Si pliega o despliega el manillar de forma incorrecta, pueden dañarse los cables, creando unas condiciones de operación inseguras.

- No dañe los cables al plegar o desplegar el manillar.
 - Si un cable está dañado, póngase en contacto con el Servicio Técnico Autorizado.
1. Afloje los pomos del manillar hasta que pueda mover el manillar libremente (Figura 20).

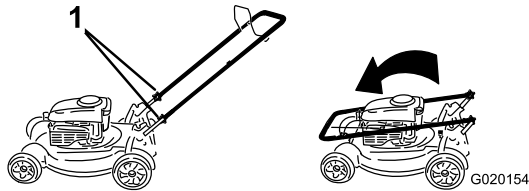


Figura 20

1. Pomo del manillar (2)

-
2. Mueva del manillar hacia adelante según se indica en Figura 20.

Después del almacenamiento

Conecte el cable a la bujía.



La Garantía Toro de Cobertura Total

Una garantía completa de 2 años (Garantía limitada de 45 días para el uso comercial)

Recycler de 22 pulgadas®
Picador/ensacador de 50.8
cm (20 pulgadas)

La Garantía de Arranque GTS de Toro

Una garantía completa de 3 años (no aplicable al uso comercial)

Cortacéspedes dirigidos

Condiciones y productos cubiertos

The Lawn-Boy Company y su afiliado, Lawn-Boy Warranty Company, bajo un acuerdo entre sí, prometen conjuntamente reparar el producto Lawn-Boy nombrado a continuación, si ha sido usado con propósitos residenciales*, si tiene defectos de materiales o mano de obra o si deja de funcionar debido al fallo de un componente, o si el motor Toro GTS (Guaranteed to Start - Garantía de Arranque) no arranca en el primer o segundo intento, siempre que se haya realizado todo el mantenimiento rutinario indicado en el *Manual del operador*.

Esta garantía cubre el coste de piezas y mano de obra, pero usted debe pagar los costes de transporte.

Los siguientes plazos son aplicables desde la fecha de la compra:

Productos	Periodo de garantía
Recycler de 22 pulgadas y Picador/Ensacador de 20 pulgadas y Accesorios	Garantía completa de 2 años
GTS (Guaranteed to Start)	Garantía completa de 3 años
Motor	Garantía completa de 3 años
Batería	Garantía completa de 1 año

Garantía limitada para el uso comercial*

Los productos de gasolina Lawn-Boy utilizados con propósitos comerciales, institucionales o de alquiler están garantizados durante 45 días contra defectos en materiales o mano de obra. Los componentes que fallan debido al uso y desgaste normales no están cubiertos por esta garantía.

La Garantía de arranque Toro GTS no es aplicable cuando el producto es usado con fines comerciales*.

Instrucciones para obtener asistencia bajo la garantía

Si usted cree que su Producto Lawn-Boy tiene un defecto de materiales o mano de obra, o si un adulto de capacidad normal ya no puede arrancar el motor de su producto con uno o dos intentos, siga este procedimiento:

1. Póngase en contacto con cualquier Distribuidor Autorizado Toro para concertar el mantenimiento en sus instalaciones. Para localizar un distribuidor cerca de usted, consulte las *Páginas Amarillas* telefónicas (mire en "cortacéspedes") o visite nuestro sitio web en www.Toro.com. También puede llamar a los números que aparecen en el apartado 3 para usar el sistema de localización de Distribuidores Lawn-Boy las 24 horas al día.
2. Lleve el producto y su prueba de compra (recibo o factura de venta) al Distribuidor. El distribuidor diagnosticará el problema y determinará si está cubierto por la garantía.
3. Si por alguna razón usted no está satisfecho con el análisis del Distribuidor o con la asistencia recibida, póngase en contacto con nosotros en la dirección siguiente:

Customer Care Department, RLC Division
The Lawn-Boy Company
8111 Lyndale Avenue South
Bloomington, MN 55420-1196
Teléfono gratuito: 866-214-9807 (clientes de EE.UU.)
Teléfono gratuito: 866-214-9808 (clientes de Canadá)

Responsabilidades del Propietario

Usted debe mantener su Producto Lawn-Boy siguiendo los procedimientos de mantenimiento descritos en el *Manual del operador*. Dicho mantenimiento rutinario, sea realizado por un distribuidor o por usted mismo, es por cuenta de usted.

Países fuera de Estados Unidos o Canadá

Los clientes que compraron productos Lawn-Boy exportados de los Estados Unidos o Canadá deben ponerse en contacto con su Distribuidor (Concesionario) Lawn-Boy para obtener pólizas de garantía para su país, provincia o estado. Si por cualquier razón usted no está satisfecho con el servicio ofrecido por su distribuidor, o si tiene dificultad en obtener información sobre la garantía, póngase en contacto con el importador Lawn-Boy. Si fallan todos los demás recursos, puede ponerse en contacto con nosotros en Lawn-Boy Warranty Company.

Ley de Consumo de Australia: Los clientes australianos encontrarán información sobre la Ley de Consumo de Australia dentro de la caja o a través de su concesionario Toro local.

* "Propósito residencial" significa el uso del producto en la misma parcela en que se encuentra su vivienda. El uso en más de un lugar, o el uso institucional o alquiler, se considera como uso comercial y sería aplicable la garantía de uso comercial.

Elementos y condiciones no cubiertos

No hay otra garantía expresa salvo la cobertura especial de emisión y la garantía sobre motores en algunos productos. Esta garantía expresa no cubre:

- El coste de mantenimiento regular, servicio o piezas, como por ejemplo filtros, combustible, lubricantes, cambios de aceite, bujías, filtros de aire, afilado de cuchillas o cuchillas desgastadas, ajustes de cables/acoplamientos o ajustes de frenos y embragues
- Cualquier producto o pieza que haya sido modificado o mal utilizado o que haya necesitado ser sustituido o reparado debido a accidente o falta de mantenimiento adecuado
- Reparaciones debidas a no utilizar combustible fresco (comprado hace menos de un mes) o no preparar adecuadamente la unidad antes de cualquier periodo de no utilización superior a un mes
- Costes de recogida y entrega
- Mal uso, negligencia o accidentes
- Reparaciones o intentos de reparación por parte de personas no pertenecientes a un Servicio Técnico Lawn-Boy Autorizado
- Reparaciones o ajustes para corregir problemas de arranque debidos a lo siguiente:
 - no se han seguido los procedimientos correctos de mantenimiento
 - una cuchilla del cortacésped rotativo ha golpeado un objeto
 - contaminantes en el sistema de combustible
 - combustible incorrecto (en caso de duda, consulte el *Manual del operador*)
 - no se ha drenado el sistema de combustible antes de un periodo de inactividad superior a un mes
- Condiciones de operación especiales que pueden requerir más de dos intentos de arranque:
 - primer arranque después de un periodo extendido de inactividad superior a tres meses o de almacenamiento estacional
 - arranque a baja temperatura, por ejemplo al inicio de la primavera o al final del otoño
 - procedimientos de arranque incorrectos – si tiene dificultad al arrancar su unidad, revise el *Manual del operador* para asegurarse de que está siguiendo los procedimientos de arranque correctos. Esto puede ahorrarle una visita innecesaria al Servicio Técnico Autorizado de Lawn-Boy.

Condiciones Generales

Todas las reparaciones cubiertas por estas garantías deben ser realizadas por un Servicio Técnico Lawn-Boy Autorizado usando piezas de repuesto aprobados por Lawn-Boy. La reparación por un Distribuidor Autorizado Lawn-Boy es su único remedio bajo esta garantía.

Ni The Lawn-Boy Company ni Lawn-Boy Warranty Company son responsables de daños indirectos, incidentales o consecuentes respecto al uso de los productos Toro cubiertos por estas garantías, incluyendo cualquier coste o gasto por la provisión de equipos de sustitución o servicio durante periodos razonables de mal funcionamiento o no utilización hasta la terminación de reparaciones bajo estas garantías.

Algunos estados no permiten exclusiones de daños incidentales o consecuentes, de manera que las exclusiones arriba citadas pueden no ser aplicables a usted.

Esta garantía le otorga a usted derechos legales específicos; es posible que usted tenga otros derechos que varían de un estado a otro.



Tondeuse Recycler® 20 pouces avec bac arrière

N° de modèle 20318—N° de série 313000001 et suivants

Manuel de l'utilisateur

Introduction

Cette tondeuse autotractée à lame rotative est destinée au grand public, aux professionnels et aux utilisateurs temporaires. Elle est principalement conçue pour tondre les pelouses entretenues régulièrement des terrains privés et commerciaux. Elle n'est pas conçue pour couper les broussailles ni pour un usage agricole.

Lisez attentivement ces informations pour apprendre comment utiliser et entretenir correctement votre produit, et éviter de l'endommager ou de vous blesser. Vous êtes responsable de l'utilisation sûre et correcte du produit.

Vous pouvez contacter Toro directement à www.Toro.com pour tout renseignement concernant un produit ou un accessoire, pour obtenir l'adresse d'un dépositaire ou pour enregistrer votre produit.

Lorsque vous contactez un dépositaire-réparateur agréé ou le service après-vente Toro pour l'entretien de votre machine, pour vous procurer des pièces Toro d'origine ou pour obtenir des renseignements complémentaires, munissez-vous des numéros de modèle et de série du produit. Figure 1 indique l'emplacement des numéros de modèle et de série du produit. Inscrivez les numéros dans l'espace réservé à cet effet.

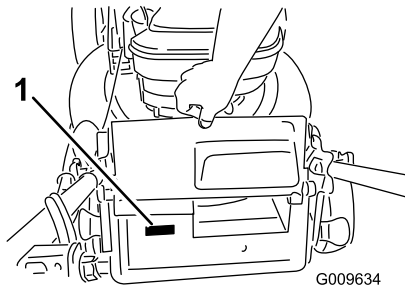


Figure 1

1. Plaque des numéros de modèle et de série

N° de modèle _____
N° de série _____

Les mises en garde de ce manuel soulignent les dangers potentiels et sont signalées par le symbole de sécurité (Figure 2), qui indique un danger pouvant entraîner des blessures graves ou mortelles si les précautions recommandées ne sont pas respectées.



Figure 2

1. Symbole de sécurité

Deux termes sont également utilisés pour faire passer des informations essentielles. **Important**, pour attirer l'attention sur des informations mécaniques spécifiques et **Remarque**, pour insister sur des informations d'ordre général méritant une attention particulière.

ATTENTION

CALIFORNIE

Proposition 65 - Avertissement

Ce produit contient une ou des substances chimiques considérées par l'état de Californie comme susceptibles de provoquer des cancers, des malformations congénitales et autres troubles de la reproduction.

Les gaz d'échappement du moteur de ce produit contiennent des substances chimiques considérées par l'état de Californie comme susceptibles de provoquer des cancers, des anomalies congénitales ou d'autres troubles de la reproduction.

Table des matières

Introduction	1
Consignes générales d'utilisation	2
Utilisation sur pente	2
Enfants	3
Entretien	3
Autocollants de sécurité et d'instruction	4
Mise en service	5
Montage du guidon	5
Montage du câble du lanceur dans le guide	5
Plein d'huile moteur	5
Vue d'ensemble du produit	6
Utilisation	7
Outils et accessoires	7
Remplissage du réservoir de carburant	7
Contrôle du niveau d'huile moteur	7
Réglage de la hauteur de coupe	8



Démarrage du moteur.....	8
Arrêt du moteur.....	8
Déchetage.....	9
Ramassage de l'herbe coupée.....	9
Conseils d'utilisation.....	9
Entretien.....	11
Programme d'entretien recommandé.....	11
Préparation à l'entretien.....	11
Entretien du filtre à air.....	12
Vidange et remplacement de l'huile moteur.....	12
Remplacement de la lame.....	13
Nettoyage du dessous de la machine.....	13
Remisage.....	14
Préparation de la machine au remisage.....	14
Pliage du guidon.....	15
Remise en service après remisage.....	15

Sécurité

Cette tondeuse est conforme aux ou dépasse les normes de sécurité CPSC relatives aux lames pour tondeuses autotractées et les spécifications de la norme B71.1 de l'American National Standards Institute en vigueur au moment de la production.

Lisez et assimilez le contenu de ce manuel avant de mettre le moteur en marche.

Le symbole de sécurité (Figure 2) signale des dangers potentiels susceptibles de causer des blessures. Respectez tous les messages de sécurité qui suivent ce symbole pour éviter des accidents, potentiellement mortels. L'usage ou l'entretien incorrect de cette tondeuse peut occasionner des accidents, parfois mortels. Pour réduire les risques, respectez les consignes de sécurité suivantes.

Les instructions qui suivent sont adaptées de la norme ANSI/OPEI B71.1-2003.

Cette tondeuse peut sectionner les mains et les pieds, et projeter des objets. Des accidents graves ou mortels peuvent se produire si les consignes de sécurité suivantes ne sont pas respectées.

Consignes générales d'utilisation

- Vous devez lire, comprendre et respecter toutes les instructions qui figurent sur la machine et dans le(s) manuel(s) avant de démarrer.
- N'approchez pas les mains ou les pieds de la machine. Ne vous tenez jamais devant l'ouverture d'éjection.
- Seules les personnes adultes responsables qui ont pris connaissance des instructions sont autorisées à utiliser cette machine.
- Débarrassez la zone de travail des pierres, jouets, câbles, etc. qui pourraient être projetés par la lame. Restez derrière le guidon quand le moteur est en marche.

- Vérifiez que personne ne se trouve dans la zone de travail avant d'utiliser la machine. Arrêtez la machine si quelqu'un entre dans la zone de travail.
- N'utilisez pas la machine pieds nus ou chaussé de sandales. Portez toujours des chaussures solides.
- Ne tirez jamais la machine en arrière, sauf en cas d'absolue nécessité. Vérifiez toujours si la voie est libre juste derrière la machine et sur sa trajectoire avant de reculer.
- Ne dirigez jamais l'éjection vers qui que ce soit. N'éjectez pas l'herbe coupée contre un mur ou un obstacle. Elle pourrait être renvoyée vers l'opérateur. Arrêtez la lame quand vous passez sur du gravier.
- N'utilisez pas la machine si le bac à herbe au complet, le déflecteur d'éjection, le déflecteur arrière ou autres dispositifs de sécurité ne sont pas installés et en parfait état de marche.
- Ne laissez jamais la machine en marche sans surveillance.
- Arrêtez le moteur et attendez l'arrêt complet de la lame avant de nettoyer la machine, de retirer le bac à herbe ou de déboucher le déflecteur d'éjection.
- Travaillez uniquement à la lumière du jour ou avec un bon éclairage artificiel.
- N'utilisez pas la machine sous l'emprise de l'alcool, de drogues ou de médicaments.
- N'utilisez jamais la tondeuse sur de l'herbe humide. Veillez à ne pas perdre l'équilibre; avancez à une allure normale, ne courez pas.
- Désengagez le système d'entraînement, le cas échéant, avant de mettre le moteur en marche.
- Si la machine se met à vibrer de façon anormale, coupez le moteur et cherchez-en immédiatement la cause. Les vibrations indiquent généralement la présence d'un problème.
- Protégez-vous toujours les yeux quand vous utilisez la machine.
- La foudre peut provoquer des blessures graves ou mortelles. Si vous observez la foudre ou que vous entendez le tonnerre à proximité, n'utilisez pas la machine et mettez-vous à l'abri.
- Reportez-vous aux instructions du constructeur concernant l'utilisation et le montage d'accessoires. N'utilisez que les accessoires agréés par le constructeur.

Utilisation sur pente

Les pentes peuvent augmenter significativement les risques de dérapage ou de chute qui peuvent entraîner des blessures graves. Les manœuvres sur pentes, quelles qu'elles soient, demandent une attention particulière. Ne travaillez pas sur les pentes sur lesquelles vous ne vous sentez pas à l'aise.

- Travaillez transversalement à la pente, jamais vers le haut ou vers le bas. Soyez extrêmement prudent lorsque vous changez de direction sur un terrain en pente.
- Méfiez-vous des trous, ornières, bosses, rochers ou autres obstacles cachés. Les irrégularités de terrain peuvent vous faire déraiper et provoquer votre chute. L'herbe haute peut masquer les accidents du terrain.
- Ne tondez pas quand l'herbe est humide ni sur des pentes raides. Vous pourriez glisser et vous blesser en tombant.
- Ne tondez pas à proximité de dénivellations, fossés ou berges. Vous pourriez glisser ou perdre l'équilibre.
- Descendez la machine à essence du véhicule ou de la remorque et posez-la à terre avant de remplir le réservoir de carburant. Si ce n'est pas possible, laissez la machine dans le véhicule ou sur la remorque, mais remplissez le réservoir à l'aide d'un bidon, et non directement à la pompe.
- Maintenez le pistolet en contact avec le bord du réservoir ou du bidon jusqu'à la fin du ravitaillement. N'utilisez pas un dispositif de verrouillage du pistolet en position ouverte.
- Si du carburant s'est répandu sur vos vêtements, changez-vous immédiatement.
- Ne remplissez jamais excessivement le réservoir de carburant. Remettez en place le bouchon du réservoir et serrez-le à fond.

Enfants

Des accidents tragiques peuvent survenir si l'utilisateur ne sait pas que des enfants sont présents. Les enfants sont souvent attirés par la machine et l'activité de tonte. Ne partez **jamais** du principe que les enfants se trouvent encore là où vous les avez vus pour la dernière fois.

- Veillez à ce que les enfants restent hors de la zone de travail, sous la garde d'un adulte responsable autre que l'utilisateur.
- Montrez-vous vigilant et coupez le moteur de la tondeuse si un enfant pénètre dans la zone de travail.
- Ne laissez jamais un enfant utiliser la machine.
- Soyez particulièrement prudent à l'approche de tournants aveugles, de buissons, d'arbres ou d'autres objets susceptibles de dissimuler un enfant à votre vue.

Entretien

Manipulation sûre de l'essence

Pour éviter de vous blesser ou de causer des dommages matériels, manipulez l'essence avec une extrême prudence. L'essence est extrêmement inflammable et ses vapeurs sont explosives.

- Éteignez cigarettes, cigares, pipes et autres sources d'étincelles.
- N'utilisez que des bidons à essence homologués.
- N'enlevez jamais le bouchon du réservoir et n'ajoutez jamais de carburant lorsque le moteur tourne. Laissez refroidir le moteur avant de faire le plein.
- Ne faites jamais le plein à l'intérieur d'un local.
- Ne remisez jamais la machine ni les bidons de carburant à proximité d'une flamme nue, d'une source d'étincelles ou d'une veilleuse, telle celle que l'on trouve sur un chauffe-eau ou d'autres appareils.
- Ne remplissez jamais les bidons de carburant à l'intérieur d'un véhicule ou dans la caisse d'un véhicule utilitaire dont le revêtement est en plastique. Posez toujours les bidons sur le sol, à l'écart du véhicule, avant de les remplir.

▲ ATTENTION

Les gaz d'échappement contiennent du monoxyde de carbone, un gaz inodore mortel.

Ne faites pas tourner le moteur à l'intérieur d'un local fermé.

Entretien général

- Ne faites jamais tourner le moteur dans un local fermé.
- Gardez tous les écrous et boulons bien serrés pour être sûr de pouvoir utiliser la machine sans danger.
- N'enlevez et ne modifiez jamais les dispositifs de sécurité. Vérifiez régulièrement qu'ils fonctionnent correctement.
- Ne laissez pas l'herbe, les feuilles ou d'autres débris s'accumuler sur la machine. Nettoyez les coulées éventuelles d'huile ou de carburant et éliminez les débris imbibés de carburant. Laissez refroidir la machine avant de la remiser.
- Si vous heurtez un obstacle, arrêtez et examinez la machine. Effectuez les réparations nécessaires avant de mettre la machine en marche.
- N'effectuez jamais de réglages ou de réparations lorsque le moteur est en marche. Débranchez le fil de la bougie d'allumage et mettez-le à la masse contre le moteur pour éviter les démarrages accidentels.
- Vérifiez fréquemment l'état des composants du bac à herbe et du déflecteur d'éjection, et remplacez les pièces qui en ont besoin par des pièces recommandées par le constructeur.
- Les lames du tablier de coupe sont tranchantes. Manipulez toujours les lames avec des gants ou en les enveloppant dans un chiffon, et toujours avec la plus grande prudence.
- Ne modifiez pas le réglage du régulateur et ne faites pas tourner le moteur à un régime excessif.
- Remplacez les autocollants d'instruction ou de sécurité manquants ou endommagés au besoin.

Autocollants de sécurité et d'instruction

Important: Les autocollants de sécurité et d'instruction sont placés près des endroits potentiellement dangereux. Remplacez les autocollants endommagés.

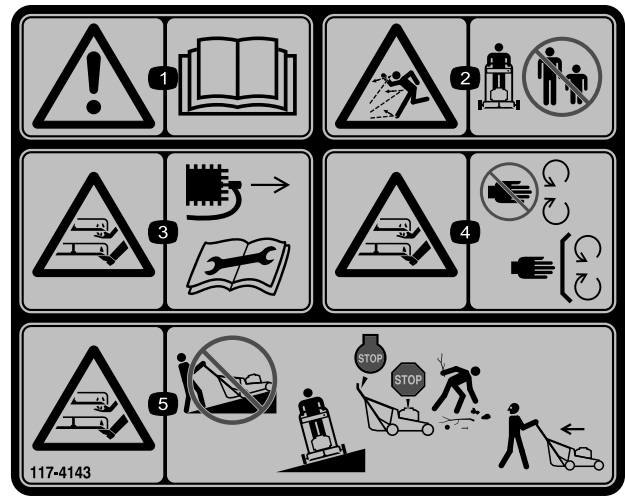


94-8072

CALIFORNIA SPARK ARRESTER WARNING

Operation of this equipment may create sparks that can start fires around dry vegetation. A spark arrester may be required. The operator should contact local fire agencies for laws or regulations relating to fire prevention requirements. 117-2718

117-2718



117-4143

1. Attention – lisez le *Manuel de l'utilisateur*.
2. Risque de projection d'objets – tenez les spectateurs à bonne distance de la machine.
3. Risque de coupure/mutilation des mains ou des pieds par la lame du tablier de coupe – débranchez la bougie et lisez les instructions avant d'entreprendre un entretien ou une révision.
4. Risque de coupure/mutilation des mains et pieds par la lame – ne vous approchez pas des pièces mobiles et gardez toutes les protections en place.
5. Risque de coupure/mutilation des mains et pieds par la lame – n'utilisez pas la machine dans le sens de la pente, mais toujours transversalement; arrêtez la machine et le moteur, ramassez les débris avant de tondre; vérifiez toujours si la voie est libre juste derrière la machine et sur sa trajectoire avant de faire marche arrière.

Mise en service

Important: Retirez et mettez au rebut la pellicule de plastique qui protège le moteur.

Montage du guidon

⚠ ATTENTION

Vous risquez d'endommager les câbles et de rendre la machine dangereuse à utiliser si vous pliez ou dépliez mal le guidon.

- Veillez à ne pas endommager les câbles en pliant ou dépliant le guidon.
- Si un câble est endommagé, adressez-vous à un réparateur agréé.

1. Retirez les boutons du guidon sur le carter de la machine.
2. Placez le guidon en position d'utilisation (Figure 3).

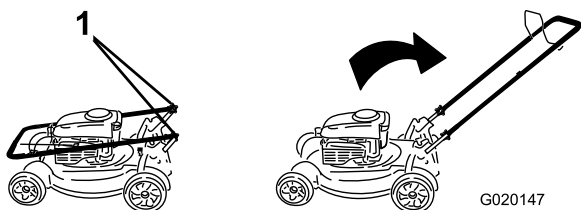


Figure 3

1. Bouton du guidon (2)

Important: Faites passer les câbles à l'extérieur du guidon pendant que vous montez le guidon.

3. Mettez les boutons du guidon en place et serrez-les fermement à la main (Figure 3).

Montage du câble du lanceur dans le guide

Important: Pour démarrer le moteur facilement et en toute sécurité chaque fois que vous utilisez la machine, installez le câble du lanceur dans le guide.

Maintenez la barre de commande des lames contre la partie supérieure du guidon et tirez le câble à travers le guide sur le guidon (Figure 4).

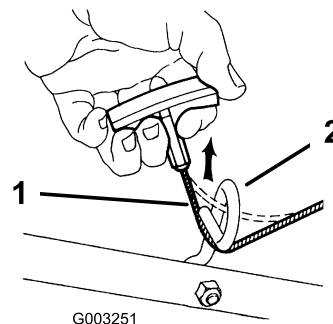


Figure 4

1. Câble du lanceur
2. Guide du lanceur

Plein d'huile moteur

Important: Le carter moteur de cette machine est vide à la livraison. Avant de mettre le moteur en marche, faites le plein d'huile moteur.

1. Garez la machine sur un sol plat et horizontal.
2. Retirez la jauge (Figure 5) et versez de l'huile dans le goulot de remplissage pour remplir le carter jusqu'aux 3/4.

Remarque: Remplissage max. : 0.65 l (22 oz), type : huile détergente SAE 30 de classe de service API SJ, SL ou supérieure.

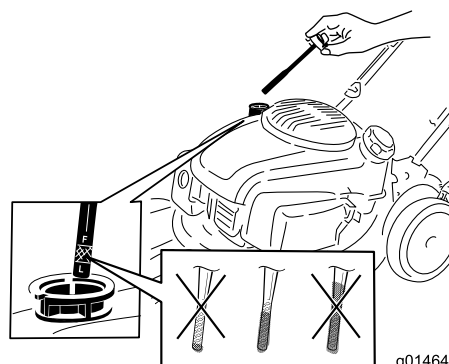


Figure 5

3. Essuyez l'extrémité de la jauge avec un chiffon propre.
4. Insérez la jauge dans le goulot de remplissage, **sans la visser**.

5. Sortez de nouveau la jauge et vérifiez le niveau d'huile (Figure 5).

- Si le niveau est trop bas, versez lentement une petite quantité d'huile dans le goulot de remplissage et répétez les opérations 3 à 5 jusqu'à ce que la jauge indique le niveau d'huile correct
- Si le niveau d'huile est trop élevé, vidangez l'excédent d'huile jusqu'à obtenir le niveau d'huile correct sur la jauge. Pour vidanger l'excédent d'huile, voir Vidange et remplacement de l'huile moteur (page 12).

Important: Si vous faites tourner le moteur alors que le niveau d'huile dans le carter est trop bas ou trop élevé, vous risquez d'endommager le moteur.

6. Revissez la jauge fermement en place.

Important: Changez l'huile moteur après les 5 premières heures de fonctionnement, puis une fois par an Reportez-vous à Vidange et remplacement de l'huile moteur (page 12).

Vue d'ensemble du produit

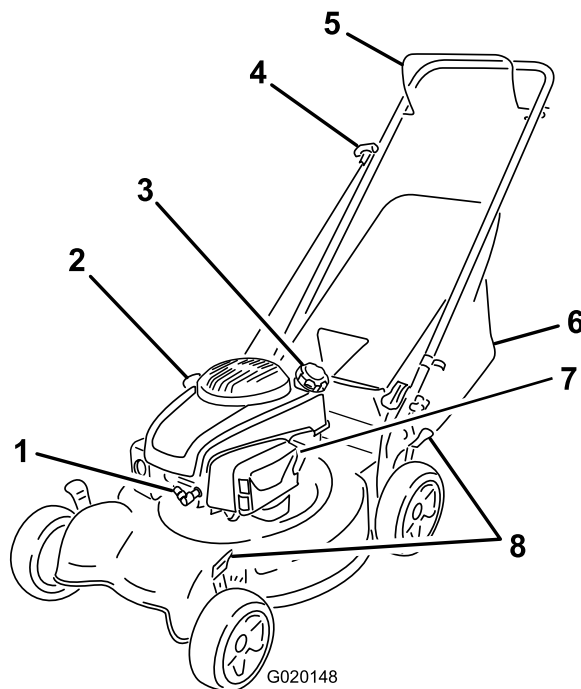


Figure 6

- | | |
|--------------------------------------|------------------------------------|
| 1. Bougie | 5. Barre de commande des lames |
| 2. Bouchon de remplissage/jauge | 6. Bac à herbe |
| 3. Bouchon du réservoir de carburant | 7. Filtre à air |
| 4. Poignée du lanceur | 8. Leviers de hauteur de coupe (4) |

Utilisation

Outils et accessoires

Une sélection d'outils et accessoires agréés par Toro est disponible pour augmenter et améliorer les capacités de la machine. Contactez votre dépositaire-réparateur ou distributeur agréé ou visitez www.Toro.com pour obtenir une liste de tous les accessoires et outils agréés.

Remplissage du réservoir de carburant

⚠ DANGER

L'essence est extrêmement inflammable et explosive. Un incendie ou une explosion causé(e) par l'essence peut vous brûler, ainsi que les personnes se tenant à proximité.

- Pour éviter que l'électricité statique n'enflamme l'essence, posez le récipient et/ou la machine sur le sol, pas dans un véhicule ou sur un support quelconque, avant de faire le plein.
- Faites le plein du réservoir de carburant à l'extérieur quand le moteur est froid. Essayez le carburant éventuellement répandu.
- Ne fumez jamais en manipulant de l'essence et tenez-vous à l'écart des flammes nues ou des sources d'étincelles.
- Conservez l'essence dans un récipient homologué, hors de la portée des enfants.
- Pour assurer le fonctionnement optimal de la machine, utilisez uniquement de l'essence sans plomb propre et fraîche avec un indice d'octane de 87 ou plus (méthode d'évaluation $(R+M)/2$).
- L'utilisation de carburant oxygéné contenant jusqu'à 10 % d'éthanol ou 15 % de MTBE par volume est tolérée.
- N'utilisez **pas** de mélanges d'essence à l'éthanol (E15 ou E85 par exemple) avec plus de 10 % d'éthanol par volume. Cela peut entraîner des problèmes de performances et/ou des dommages au moteur qui peuvent ne pas être couverts par la garantie.
- N'utilisez **pas** d'essence contenant du méthanol.
- Ne stockez **pas** le carburant dans le réservoir ou dans des bidons de carburant pendant l'hiver à moins d'utiliser un stabilisateur de carburant.

Important: Pour réduire les problèmes de démarrage, ajoutez un stabilisateur à chaque plein et utilisez de l'essence stockée depuis moins d'un mois.

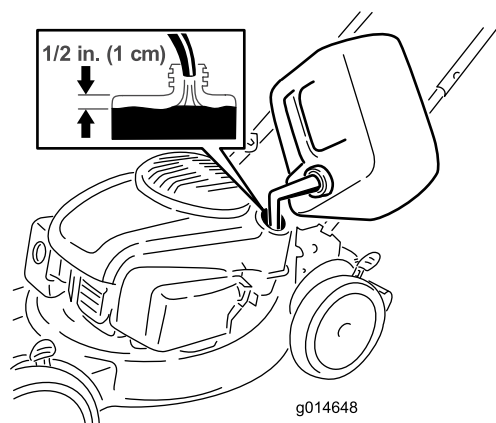


Figure 7

Contrôle du niveau d'huile moteur

Périodicité des entretiens: À chaque utilisation ou une fois par jour

Remplissage max. : 0.65 l (22 oz), type : huile détergente SAE 30 de classe de service API SJ, SL ou supérieure.

1. Garez la machine sur un sol plat et horizontal.
2. Retirez la jauge (Figure 8).

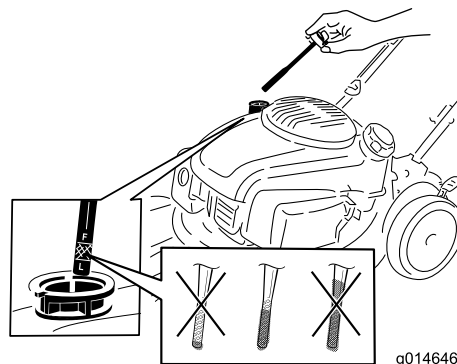


Figure 8

3. Essuyez l'extrémité de la jauge avec un chiffon propre.
4. Insérez la jauge dans le goulot de remplissage, **sans la visser.**
5. Sortez de nouveau la jauge et vérifiez le niveau d'huile; voir Figure 8.
 - Si le niveau est trop bas, versez lentement une petite quantité d'huile dans le goulot de remplissage et répétez les opérations 3 à 5 jusqu'à ce que la jauge indique le niveau d'huile correct
 - Si le niveau d'huile est trop élevé, vidangez l'excédent d'huile jusqu'à obtenir le niveau d'huile correct sur la jauge.

Pour vidanger l'excédent d'huile, voir Vidange et remplacement de l'huile moteur (page 12).

Important: Si vous faites tourner le moteur alors que le niveau d'huile dans le carter est trop bas ou trop élevé, vous risquez d'endommager le moteur.

6. Revissez la jauge fermement en place.

Réglage de la hauteur de coupe

⚠ ATTENTION

Pendant le réglage de la hauteur de coupe, vous risquez de toucher la lame en mouvement et de vous blesser gravement.

- Arrêtez le moteur et attendez l'arrêt de toutes les pièces mobiles.
- Ne mettez pas les doigts sous le carter du tablier de coupe quand vous réglez la hauteur de coupe.

⚠ PRUDENCE

Si le moteur vient de tourner, le silencieux est très chaud et risque de vous brûler gravement. Ne vous approchez pas du silencieux encore chaud.

Choisissez la hauteur de coupe voulue. Réglez les 4 roues à la même hauteur.

Remarque: Pour élever la machine, déplacez tous les leviers de hauteur de coupe en avant; pour abaisser la machine, ramenez les leviers en arrière (Figure 9).

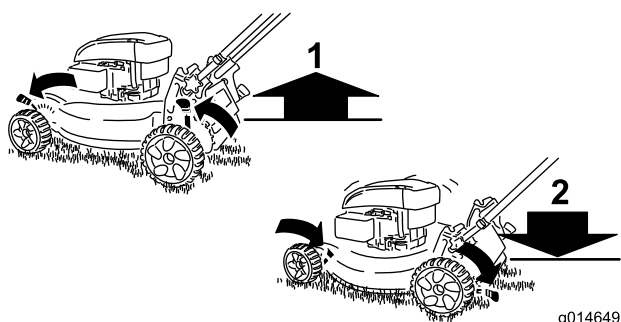


Figure 9

1. Élever la machine
2. Abaisser la machine

Remarque: Les hauteurs de coupe suivantes sont disponibles : 25 mm (1 po), 38 mm (1,5 po), 51 mm (2 po), 64 mm (2,5 po), 76 mm (3 po), 89 mm (3,5 po) et 102 mm (4 po).

Démarrage du moteur

1. Maintenez la barre de commande de la lame (Figure 10) contre le guidon.

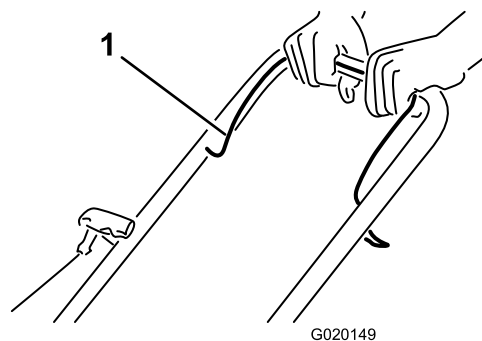


Figure 10

1. Barre de commande des lames

2. Tirez sur la poignée du lanceur (Figure 11).

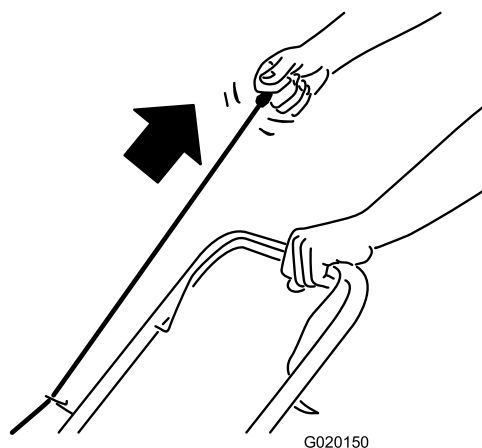


Figure 11

Remarque: Si le moteur ne démarre pas après plusieurs tentatives, contactez un dépositaire réparateur agréé.

Arrêt du moteur

Périodicité des entretiens: À chaque utilisation ou une fois par jour

Pour arrêter le moteur, relâchez la barre de commande de la lame (Figure 12).

Important: Lorsque vous relâchez la barre de commande de la lame, le moteur et la lame doivent s'arrêter en moins de 3 secondes. Si ce n'est pas le cas, cessez immédiatement d'utiliser la machine et adressez-vous à un dépositaire réparateur agréé.

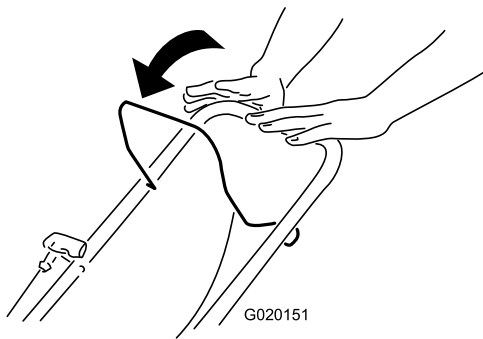


Figure 12

Déchiquetage

À la livraison, votre machine est prête à déchiqeter l'herbe et les feuilles coupées pour nourrir votre pelouse.

Si le bac à herbe est monté sur la machine, enlevez-le avant de procéder au déchiquetage de l'herbe coupée. Reportez-vous à Retrait du bac à herbe (page 9).

Ramassage de l'herbe coupée

Utilisez le bac à herbe pour recueillir l'herbe et les feuilles coupées à la surface de la pelouse.

⚠ ATTENTION

Si le bac à herbe est usé, des gravillons ou autres débris similaires risquent d'être projetés vers l'utilisateur ou des personnes à proximité, et de causer des blessures graves ou mortelles.

Examinez fréquemment le bac. S'il est endommagé, remplacez-le par un bac Lawn-Boy neuf d'origine.

⚠ ATTENTION

La lame est tranchante et vous risquez de vous blesser gravement à son contact.

Coupez le moteur et attendez l'arrêt de toutes les pièces mobiles avant de quitter la position de conduite.

Mise en place du bac à herbe

1. Soulevez le déflecteur arrière (Figure 13).

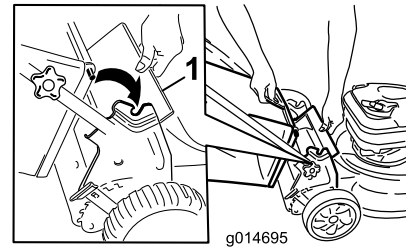


Figure 13

1. Déflecteur arrière

2. Insérez la poignée du bac à herbe dans les crans des supports du guidon (Figure 13).

Retrait du bac à herbe

1. Soulevez le déflecteur arrière (Figure 13).
2. Sortez la poignée du bac à herbe des crans des supports et déposez le bac de la machine.
3. Refermez le déflecteur arrière.

Conseils d'utilisation

Conseils de tonte généraux

- Débarrassez la zone de travail des branches, pierres, câbles, bâtons et autres débris qui pourraient être ramassés et projetés par la lame.
- Évitez de heurter des obstacles avec la lame. Ne passez jamais intentionnellement sur un objet quel qu'il soit.
- Si la machine a heurté un obstacle ou commence à vibrer, coupez immédiatement le moteur, débranchez la bougie et vérifiez si la machine n'est pas endommagée.
- Pour de meilleurs résultats, montez une lame neuve au début de la saison de tonte.
- Remplacez la lame dès que nécessaire par une lame de rechange Lawn-Boy.

La tonte

- Ne tondez l'herbe que sur un tiers de sa hauteur à chaque fois. N'utilisez pas une hauteur de coupe inférieure à 51 mm (2 po), sauf si l'herbe est clairsemée ou à la fin de l'automne quand la pousse commence à ralentir. Reportez-vous à Réglage de la hauteur de coupe (page 8).
- Si l'herbe fait plus de 15 cm (6 po), effectuez d'abord un premier passage à vitesse réduite à la hauteur de coupe la plus haute. Effectuez ensuite un deuxième passage à une hauteur de coupe inférieure pour obtenir une coupe plus esthétique. L'herbe trop haute risque d'obstruer la machine et de faire caler le moteur.
- Ne tondez que si l'herbe ou les feuilles sont sèches. L'herbe et les feuilles humides ont tendance à s'agglomérer

sur la pelouse et risquent d'obstruer la machine et de faire caler le moteur.

⚠ ATTENTION

En travaillant sur l'herbe ou les feuilles humides, vous risquez de glisser et de vous blesser gravement si vous touchez la lame en tombant. Ne tondez que si l'herbe est sèche.

- Alternez la direction de la tonte. Cela permet de disperser les déchets plus uniformément et d'obtenir une fertilisation plus homogène.
- Si l'aspect de la pelouse tondue n'est pas satisfaisant, essayez une ou plusieurs des solutions suivantes :
 - Remplacez la lame ou faites-la aiguiser.
 - Tondez en avançant plus lentement.
 - Augmentez la hauteur de coupe.
 - Tondez plus souvent.
 - Empiétez sur les passages précédents pour ne tondre qu'une largeur de bande réduite.
 - Réglez la hauteur de coupe des roues avant un cran en dessous de celle des roues arrière. Par exemple, réglez les roues avant à 51 mm (2 po) et les roues arrière à 64 mm (2,5 po).

Hachage de feuilles

- Après la tonte, 50 % de la pelouse doit être visible sous la couche de feuilles hachées. Vous devrez peut-être repasser plusieurs fois sur les feuilles.
- Si la couche de feuilles fait plus de 13 cm (5 po) d'épaisseur, réglez les roues avant un ou deux crans plus haut que les roues arrière.
- Ralentissez la vitesse de déplacement si les feuilles ne sont pas hachées assez menues.

Entretien

Remarque: Les côtés gauche et droit de la machine sont déterminés d'après la position de conduite.

Programme d'entretien recommandé

Périodicité d'entretien	Procédure d'entretien
Après les 5 premières heures de fonctionnement	<ul style="list-style-type: none">• Vidangez et remplacez l'huile moteur.
À chaque utilisation ou une fois par jour	<ul style="list-style-type: none">• Contrôlez le niveau d'huile moteur.• Vérifiez que le moteur s'arrête dans les 3 secondes suivant le relâchement de la barre de commande de la lame.
Après chaque utilisation	<ul style="list-style-type: none">• Enlevez l'herbe coupée et autres débris accumulés sous la machine.
Toutes les 25 heures	<ul style="list-style-type: none">• Vérifiez l'état, la propreté et le serrage des composants du filtre à air et nettoyez ou remplacez-les au besoin.
Toutes les 50 heures	<ul style="list-style-type: none">• Vidangez et remplacez l'huile moteur.
Toutes les 100 heures	<ul style="list-style-type: none">• Remplacez l'élément du filtre à air (plus fréquemment si l'environnement d'utilisation est sale ou poussiéreux).• Nettoyez le circuit de refroidissement (reportez-vous au manuel du moteur).• Remplacez la bougie.
Avant le remisage	<ul style="list-style-type: none">• Vidangez le réservoir de carburant avant le remisage et avant les réparations qui le nécessitent.
Une fois par an	<ul style="list-style-type: none">• Remplacez la lame ou faites-la aiguiser (plus souvent si elle s'émousse rapidement).• Reportez-vous au Manuel d'utilisation du moteur pour toutes procédures d'entretien annuel supplémentaires.

Important: Reportez-vous au *Manuel d'utilisation du moteur* pour toutes procédures d'entretien supplémentaires.

Préparation à l'entretien

1. Arrêtez le moteur et attendez l'arrêt de toutes les pièces mobiles.
2. Débranchez la bougie (Figure 14) avant de procéder à un quelconque entretien.

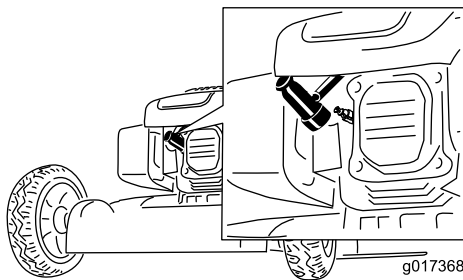


Figure 14

1. Fil de bougie

utilisez une pompe manuelle pour vider le reste de carburant. Basculez toujours la machine sur le côté, avec la jauge en bas.

⚠ ATTENTION

Du carburant peut s'échapper lorsque la machine est basculée sur le côté. L'essence est inflammable et explosive, et peut provoquer des blessures.

Laissez tourner le moteur jusqu'à ce qu'il s'arrête faute de carburant ou vidangez le reste d'essence avec une pompe manuelle, pas un siphon.

3. Lorsque l'entretien est terminé, rebranchez la bougie.

Important: Avant de basculer la machine pour vidanger l'huile ou remplacer la lame, laissez le moteur en marche jusqu'à ce qu'il s'arrête faute de carburant. Si vous ne pouvez pas attendre que le moteur s'arrête par manque de carburant,

Entretien du filtre à air

Périodicité des entretiens: Toutes les 25 heures/Une fois par an (la première échéance prévalant)—Vérifiez l'état, la propreté et le serrage des composants du filtre à air et nettoyez ou remplacez-les au besoin.

Toutes les 100 heures/Une fois par an (la première échéance prévalant)

1. Effectuez les préparatifs d'entretien annuels recommandés; voir Préparation à l'entretien (page 11).
2. Dévissez et ouvrez le couvercle du filtre à air (Figure 15).

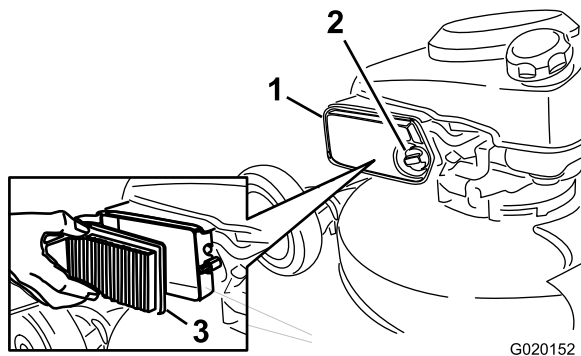


Figure 15

1. Vis
2. Couvercle du filtre à air
3. Élément filtrant

3. Remplacez l'élément filtrant.
4. Reposez le couvercle du filtre à air.

Vidange et remplacement de l'huile moteur

Périodicité des entretiens: Après les 5 premières heures de fonctionnement

Toutes les 50 heures/Une fois par an (la première échéance prévalant)

Faites tourner le moteur pendant quelques minutes avant la vidange pour réchauffer l'huile. L'huile chaude s'écoule plus facilement et entraîne plus d'impuretés.

1. Effectuez les préparatifs d'entretien annuels recommandés; voir Préparation à l'entretien (page 11).
2. Retirez la jauge (Figure 16).

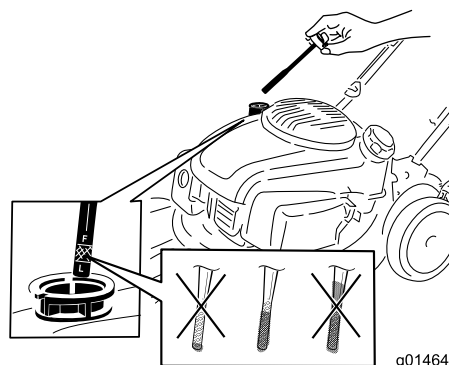


Figure 16

3. Placez un bac de vidange sous la machine, près de la jauge.
4. Inclinez la machine sur le côté (jauge en bas) pour vidanger l'huile usagée par le goulot de remplissage (Figure 17).

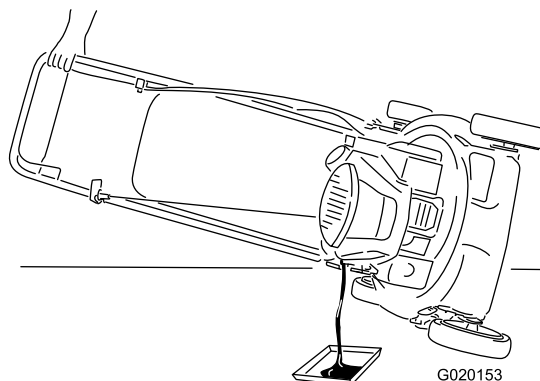


Figure 17

5. Redressez la machine après avoir vidangé l'huile usagée.
6. Retirez la jauge et versez de l'huile dans le goulot de remplissage pour remplir le carter jusqu'aux 3/4.

Remarque: Remplissage max. : 0.65 l (22 oz), type : huile détergente SAE 30 de classe de service API SJ, SL ou supérieure.

7. Essuyez l'extrémité de la jauge avec un chiffon propre.
8. Insérez la jauge dans le goulot de remplissage, **sans la visser.**
9. Sortez de nouveau la jauge et vérifiez le niveau d'huile (Figure 16).
 - Si le niveau est trop bas, versez lentement une petite quantité d'huile dans le goulot de remplissage et répétez les opérations 7 à 9 jusqu'à ce que la jauge indique le niveau d'huile correct
 - Si le niveau d'huile est trop élevé, vidangez l'excédent d'huile jusqu'à obtenir le niveau d'huile correct sur la jauge. Pour vidanger l'excédent d'huile, voir Vidange et remplacement de l'huile moteur (page 12).

Important: Si vous faites tourner le moteur alors que le niveau d'huile dans le carter est trop bas ou trop élevé, vous risquez d'endommager le moteur.

10. Révissez la jauge fermement en place.
11. Recyclez l'huile usagée correctement.

Remplacement de la lame

Périodicité des entretiens: Une fois par an

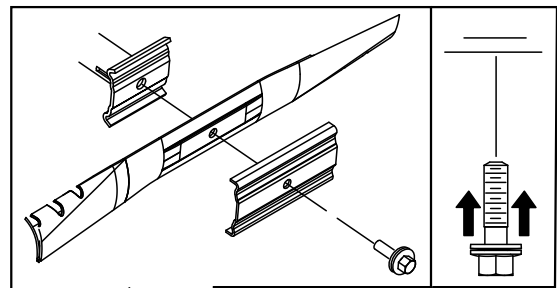
Important: Vous aurez besoin d'une clé dynamométrique pour monter la lame correctement. Si vous n'en possédez pas ou si vous ne vous sentez pas capable d'effectuer cette procédure, adressez-vous à un réparateur agréé.

Examinez l'état de la lame chaque fois que le réservoir d'essence est vide. Si la lame est endommagée ou fêlée, remplacez-la immédiatement. Si la lame est émoussée ou ébréchée, faites-la aiguiser ou remplacez-la.

⚠ ATTENTION

La lame est tranchante et vous risquez de vous blesser gravement à son contact.

- Débranchez le fil de la bougie.
 - Portez des gants pour effectuer l'entretien de la lame.
1. Débranchez le fil de la bougie. Reportez-vous à Préparation à l'entretien (page 11).
 2. Basculez la machine sur le côté (filtre à air en haut).
 3. Immobilisez la lame avec un morceau de bois.
 4. Déposez la lame (tournez le boulon de la lame dans le sens antihoraire) et mettez tous les fixations de côté.
 5. Montez une lame neuve (tournez le boulon de la lame dans le sens horaire) et toutes les fixations (Figure 18).



G020155
Figure 18

Important: Les extrémités relevées de la lame doivent être dirigées vers la machine.

6. À l'aide d'une clé dynamométrique, serrez le boulon de la lame à 82 Nm (60 pi-lb).

Important: Un boulon vissé à 81 Nm (60 pi-lb) est très serré. Bloquez la lame avec une cale en bois, appuyez de tout votre poids sur le rochet ou la clé, et serrez le boulon solidement. Il est pratiquement impossible de trop serrer ce boulon.

Nettoyage du dessous de la machine

Périodicité des entretiens: Après chaque utilisation

⚠ ATTENTION

Des débris peuvent être projetés de sous la machine.

- Portez des lunettes de protection.
 - Restez à la position de conduite (derrière le guidon).
 - Ne laissez personne pénétrer dans la zone de travail.
1. Mettez le moteur en marche lorsque la tondeuse se trouve sur une surface revêtue plane et dirigez un jet d'eau devant la roue arrière **droite** (Figure 19).

L'eau éclaboussera en direction de la lame et enlèvera les débris d'herbe agglomérés.



Figure 19

2. Lorsqu'il ne reste plus d'herbe sur la lame, arrêtez l'eau et déplacez la machine à un endroit sec.
3. Laissez tourner le moteur pendant quelques minutes pour sécher le carter et l'empêcher de rouiller.

Remisage

Remisez la machine dans un local frais, propre et sec.

Préparation de la machine au remisage

⚠ ATTENTION

Les vapeurs d'essence sont explosives.

- Ne conservez pas l'essence plus d'un mois.
 - Ne remisez pas la machine dans un local fermé où se trouve une flamme nue.
 - Laissez refroidir le moteur avant de remiser la machine.
1. Lors du dernier plein de la saison, ajoutez un stabilisateur au carburant selon les instructions du constructeur du moteur.
 2. Laissez tourner le moteur de la machine jusqu'à ce qu'il s'arrête faute de carburant.
 3. Amorcez et remettez le moteur en marche.
 4. Laissez tourner le moteur jusqu'à ce qu'il s'arrête. Le moteur est suffisamment sec lorsqu'il n'y a plus moyen de le faire démarrer.
 5. Débranchez le fil de la bougie.
 6. Retirez la bougie et versez 30 ml (1 oz) d'huile dans l'ouverture laissée par la bougie. Tirez ensuite la poignée du lanceur **lentement** à plusieurs reprises pour bien répartir l'huile à l'intérieur du cylindre et empêcher celui-ci de rouiller pendant le remisage de la machine.
 7. Montez et serrez la bougie à 20 Nm (15 pi-lb) à l'aide d'une clé dynamométrique.
 8. Serrez tous les écrous, boulons et vis.

Pliage du guidon

⚠ ATTENTION

Vous risquez d'endommager les câbles et de rendre la machine dangereuse à utiliser si vous pliez ou dépliez mal le guidon.

- **Veillez à ne pas endommager les câbles en pliant ou dépliant le guidon.**
 - **Si un câble est endommagé, adressez-vous à un réparateur agréé.**
1. Desserrez les boutons du guidon jusqu'à ce que le guidon bouge librement (Figure 20).

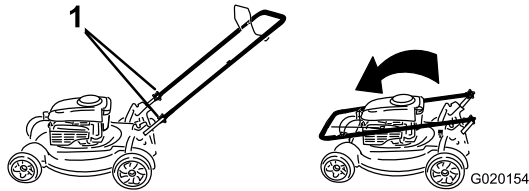


Figure 20

1. Bouton du guidon (2)
-

2. Pliez le guidon en avant comme indiqué à la (Figure 20).

Remise en service après remisage

Branchez le fil de la bougie.



La garantie intégrale Toro

Une garantie intégrale de 2 ans (garantie limitée de 45 jours pour usage commercial)

Garantie de démarrage GTS Toro

Une garantie intégrale de 3 ans (ne s'applique pas à l'usage commercial)

Recycler® de 56 cm
(22 pouces)
Déchiqueteuse/col-
lecteur de 50,8 cm
(20 pouces)
Tondeuses autotractées

Conditions et produits couverts

The Lawn-Boy Company et sa filiale Lawn-Boy Warranty Company, en vertu d'un accord mutuel, s'engagent conjointement à réparer les produits Lawn-Boy ci-dessous s'ils sont employés pour un usage résidentiel*, s'ils présentent un défaut de matériaux ou de fabrication ou s'ils cessent de fonctionner par suite de la défaillance d'un composant; ou si le moteur Toro GTS (Guaranteed to Start - Démarrage garanti) ne démarre pas à la première ou à la deuxième tentative au lanceur, à condition que l'entretien courant requis dans le *Manuel de l'utilisateur* ait été effectué.

Cette garantie couvre le coût des pièces et de la main-d'œuvre, mais le transport est à votre charge.

Durées de la garantie à compter de la date d'achat :

Produits	Période de garantie
Recycler de 22 pouces et déchiqueteuse/collecteur de 20 pouces et accessoires	Garantie intégrale de 2 ans
GTS (démarrage garanti)	Garantie intégrale de 3 ans
Moteur	Garantie intégrale de 3 ans
Batterie	Garantie intégrale de 1 an

Garantie limitée pour usage commercial*

Les produits Lawn-Boy à moteur à essence utilisés à des fins commerciales, par des institutions ou donnés en location sont couverts contre tout défaut de fabrication ou de matériau pendant une période de 45 jours. Les défaillances de composants dues à une usure normale ne sont pas couvertes par cette garantie.

La garantie de démarrage Toro GTS ne s'applique pas si le produit est utilisé à des fins commerciales.*

Comment faire intervenir la garantie?

Si vous pensez que votre produit Lawn-Boy présente un défaut de fabrication ou s'il ne démarre plus après un ou deux essais effectués par n'importe quel adulte physiquement apte, suivez la procédure ci-dessous :

1. Demandez à un dépositaire ou réparateur Toro agréé de prendre en charge votre produit. Pour trouver le dépositaire le plus proche, consultez les *Pages Jaunes* (sous « Tondeuses à gazon ») ou rendez-vous sur notre site web à www.Toro.com. Vous pouvez aussi appeler les numéros indiqués au point 3 pour consulter notre système permanent de localisation des dépositaires Lawn-Boy.
2. Lorsque vous vous rendez chez le réparateur, apportez le produit et une preuve d'achat (reçu). Le dépositaire-réparateur diagnostiquera le problème et déterminera s'il est couvert par la garantie.
3. Si, pour une raison quelconque, vous n'êtes pas satisfait du diagnostic de votre réparateur ou des conseils prodigués, n'hésitez pas à nous contacter à l'adresse suivante :

Customer Care Department, RLC Division
The Lawn-Boy Company
8111 Lyndale Avenue South
Bloomington, MN 55420-1196, États-Unis
Numéro vert : 866-214-9807 (aux États-Unis)
Numéro vert : 866-214-9808 (au Canada)

Responsabilités du propriétaire

L'entretien de votre produit Lawn-Boy doit être conforme aux procédures décrites dans le *Manuel de l'utilisateur*. Cet entretien courant est à vos frais, qu'il soit effectué par vous-même ou par un dépositaire-réparateur.

Autres pays que les États-Unis et le Canada

Pour les produits Lawn-Boy exportés des États-Unis ou du Canada, demandez à votre distributeur (dépositaire) Lawn-Boy la police de garantie applicable dans votre pays, région ou état. Si, pour une raison quelconque, vous n'êtes pas satisfait des services de votre distributeur, ou si vous avez du mal à vous procurer les informations de garantie, adressez-vous à l'importateur Lawn-Boy. En dernier recours, adressez-vous à Lawn-Boy Warranty Company.

Droit australien de la consommation : Les clients australiens trouveront des informations concernant le Droit australien de la consommation à l'intérieur du carton ou auprès de leur dépositaire Toro local.

*L'usage résidentiel normal désigne l'utilisation du produit sur le terrain où se trouve votre domicile. L'utilisation dans plusieurs lieux ou par des institutions ou la location est considérée comme un usage commercial, couvert par la garantie commerciale.

Ce que la garantie ne couvre pas

Il n'existe aucune autre garantie expresse, à part la garantie spéciale du système antipollution et du moteur pour certains produits. Cette garantie expresse ne couvre pas :

- Les frais normaux d'entretien et de remplacement de pièces, telles que les filtres, le carburant, les lubrifiants, les changements d'huile, les bougies, les filtres à air, l'affûtage des lames, les lames usées, le réglage des câbles/de la tringlerie ou le réglage des freins et de l'embrayage.
- Les produits ou pièces ayant subi des modifications ou un usage abusif, et nécessitant un remplacement ou une réparation en raison d'un accident ou d'un défaut d'entretien.
- Les réparations requises en raison de l'utilisation de carburant non frais (vieux de plus d'un mois) ou d'une mauvaise préparation de la machine avant toute période de non utilisation de plus d'un mois.
- Les frais de prise à domicile et de livraison.
- Tout dégât dû à un usage abusif, à un mauvais traitement ou à des accidents.
- Les réparations ou tentatives de réparation par quiconque autre qu'un réparateur Lawn-Boy agréé
- Les réparations ou réglages nécessaires pour corriger les problèmes de démarrage causés par :
 - le non respect des procédures d'entretien correctes
 - des dégâts subis par la lame de la tondeuse qui heurte un obstacle
 - la contamination du circuit d'alimentation
 - l'emploi du mauvais carburant (reportez-vous au *Manuel de l'utilisateur* en cas de doute)
 - l'omission de la vidange du circuit d'alimentation avant toute période de non utilisation de plus d'un mois
- Certaines conditions de démarrage exigent un ou plusieurs essais, notamment :
 - le premier démarrage après une période de non-utilisation de plus de trois mois ou après le remisage saisonnier
 - les démarrages par temps froid, par exemple au début du printemps et à la fin de l'automne.
 - méthodes de démarrage incorrectes - si vous avez des difficultés à démarrer le moteur, vérifiez dans le *Manuel de l'utilisateur* que vous suivez bien les procédures de démarrage correctes. Vous éviterez peut-être ainsi une visite inutile chez un dépositaire-réparateur Lawn-Boy agréé.

Conditions générales

Toutes les réparations couvertes par ces garanties doivent être effectuées par un réparateur Lawn-Boy agréé, à l'aide de pièces de rechange agréées par Lawn-Boy. La réparation par un dépositaire-réparateur Lawn-Boy agréé est le seul dédommagement auquel cette garantie donne droit.

The Lawn-Boy Company et Lawn-Boy Warranty Company déclinent toute responsabilité en cas de dommages secondaires ou indirects liés à l'utilisation des produits Toro couverts par cette garantie, notamment quant aux coûts et dépenses encourus pour se procurer un équipement ou un service de substitution durant une période raisonnable pour cause de défaillance ou d'indisponibilité en attendant la réparation sous garantie.

L'exclusion de la garantie des dommages secondaires ou indirects n'est pas autorisée dans certains états ou pays, et peut donc ne pas s'appliquer dans votre cas.

Cette garantie vous accorde des droits spécifiques, auxquels peuvent s'ajouter d'autres droits qui varient selon les états.