



Count on it.

Parts Catalog

Workman® MDX Utility Vehicle

Model No. 07273TC—Serial No. 313000001 and Up



Ordering Replacement Parts

To order replacement parts, please supply the part number, the quantity, and the description of each part desired.

Understanding Reference Numbers

Each identified part in an illustration has a reference number. The reference number for a part also appears in the parts list, along with other information about the part.

This catalog uses two special reference number formats, one to indicate parts in a service assembly and another to indicate the quantity of a given part in an illustration.

Service Assembly Reference Numbers

Parts in service assemblies have reference numbers in the form a:b. The a represents the reference number of the entire service assembly and the b represents a sequential number unique to each part within the service assembly.

For example, a wheel assembly might be identified by reference number 6, the tire by 6:1, the valve by 6:2, and the wheel by 6:3. When you order the assembly identified by reference number 6, you receive all parts identified by reference numbers 6:1, 6:2, and 6:3. However, you may also order any part individually. Reference numbers of this type appear in illustration and in parts lists.

Reference Numbers Indicating Quantity

In an illustration, if a reference number indicates more than one part, the reference number has the form nX y. The n represents the quantity of the part, the X is the multiplication symbol, and the y represents the reference number.

For example, in an illustration, the reference number 2X 37 means that two of the parts identified by reference number 37 are indicated.

List of Abbreviations

AR: as required

ASM: assembly

BBC: blade brake control

BHTF: button head thread forming

CARR: carriage

CCW: counter clockwise

CW: clockwise

DEG: degrees

DPA: Dual Point Adjustment

ECM: electronic control module

EXT: external

FH: flat head

GA: gauge

HD: heavy-duty

HF: hex flange

HH: hex head

HHF: hex head flange

HHFTF: hex head flange thread forming

HJ: hex jam

HLH: hex lag head

HOC: height-of-cut

HSBH: hex socket button head

HSFH: hex socket flat head

HSH: hex socket head

HWH: hex washer head

HWHTF: hex washer head thread forming

HYD: hydraulic

LH: left hand

LP: Liquefied Petroleum Gas

LPG: Liquefied Petroleum Gas

NI: nylon insert

NPTF: national pipe thread fine

PFH: phillips flat head

PPH: phillips pan head

PPHTF: phillips pan head thread forming

PRH: phillips round head

PTH: phillips truss head

PTO: power-take-off

RH: right hand

ROPS: roll-over protection system

RRB: rear roller brush

SFH: slotted fillister head

SHH: slotted hex head

SHWH: slotted hex washer head

SPH: slotted pan head

SQH: square head

SRH: slotted round head

STD: standard

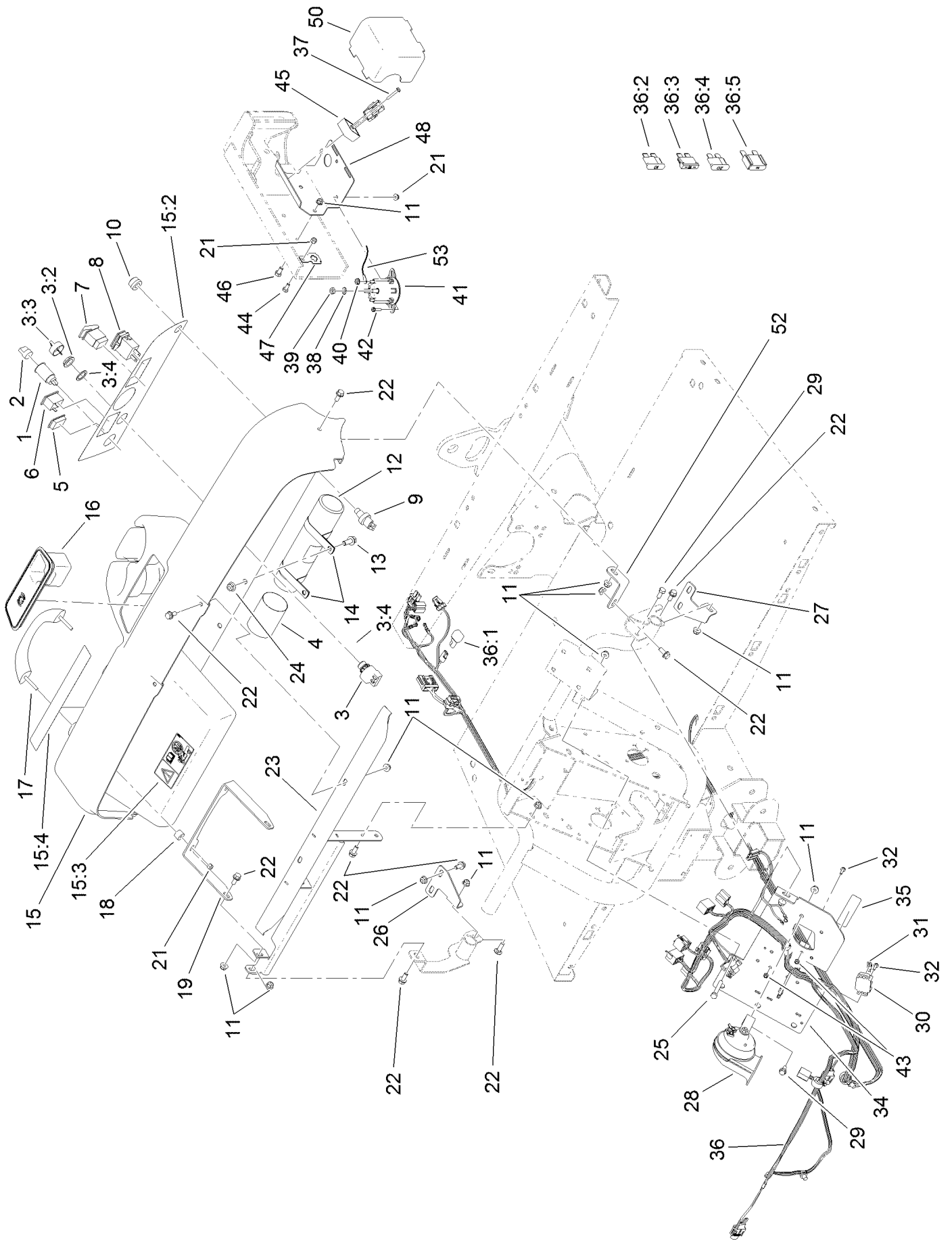
TAP: self tapping

TTH: torx truss head

Contents

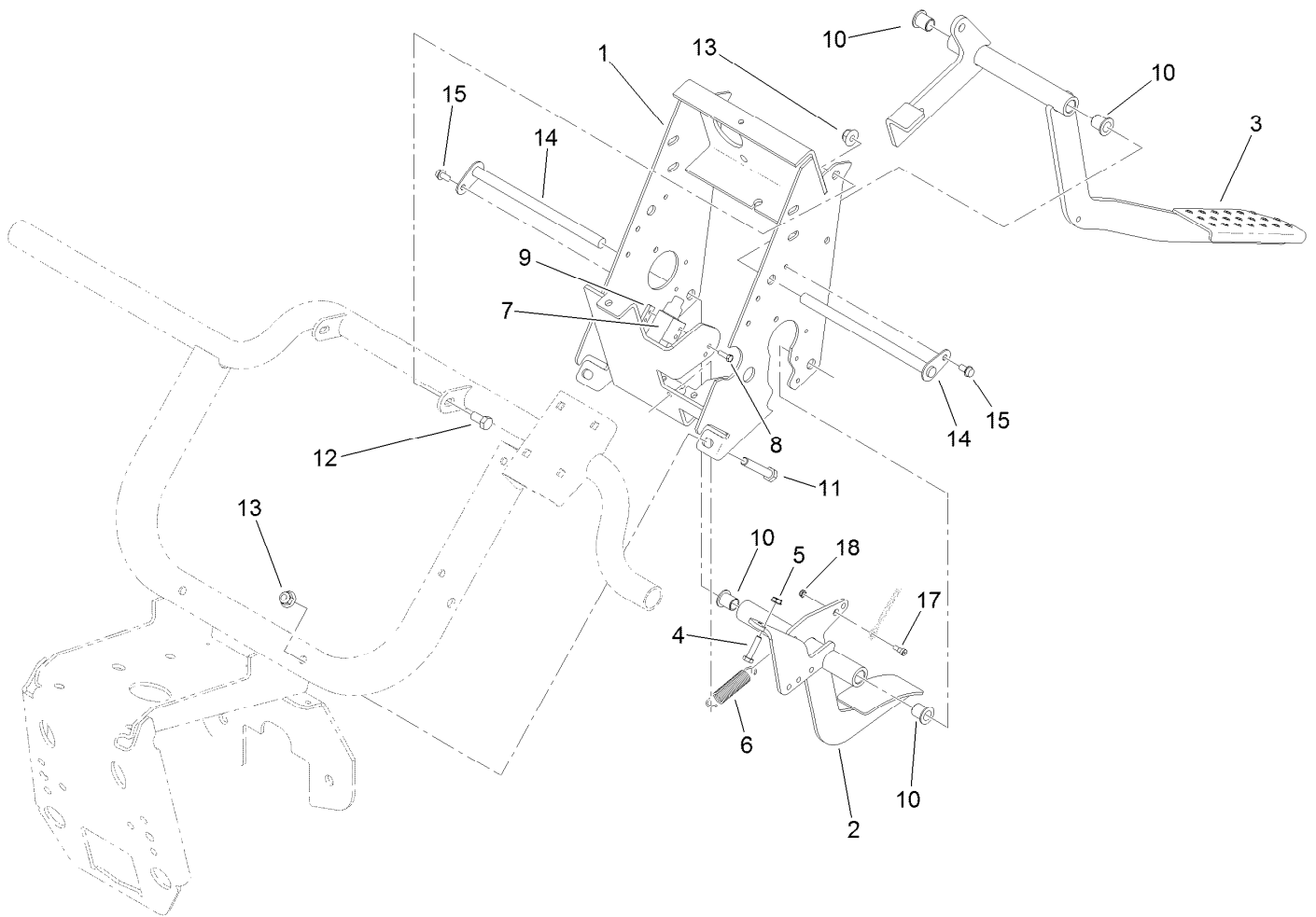
Dash Assembly	4
Pedal Box Assembly	6
Shifter Assembly	7
Front Frame Assembly	8
Seat Base Assembly	9
Front Tire, Spindle and Tie Rod Assembly	11
Brake Caliper Assembly No. 119-9535	13
Engine and Clutch Assembly	14
Primary Clutch Assembly No. 120-4818	16
Starter Generator Assembly No. 119-9545	17
Rear Tire and Transaxle Assembly	18
Secondary Clutch Assembly No. 119-6011	19
Transaxle Assembly No. 119-0760	20
LH Rear Brake Assembly No. 114-8332	22
RH Rear Brake Assembly No. 114-8331	23
Oil Filter and Air Cleaner Assembly	24
Air Cleaner Assembly No. 99-7120	25
Upper Steering Assembly	26
Steering Box Assembly No. 112-3130	27
Cargo Bed Installation Assembly	28
Cargo Bed Service Assembly No. 119-9710	29
Hood and Fender Assembly	30
Frame Assembly	31
Master Cylinder and Brake Line Assembly	32
Master Cylinder Assembly No. 104-6782	33
Attachments and Accessories	34

Dash Assembly



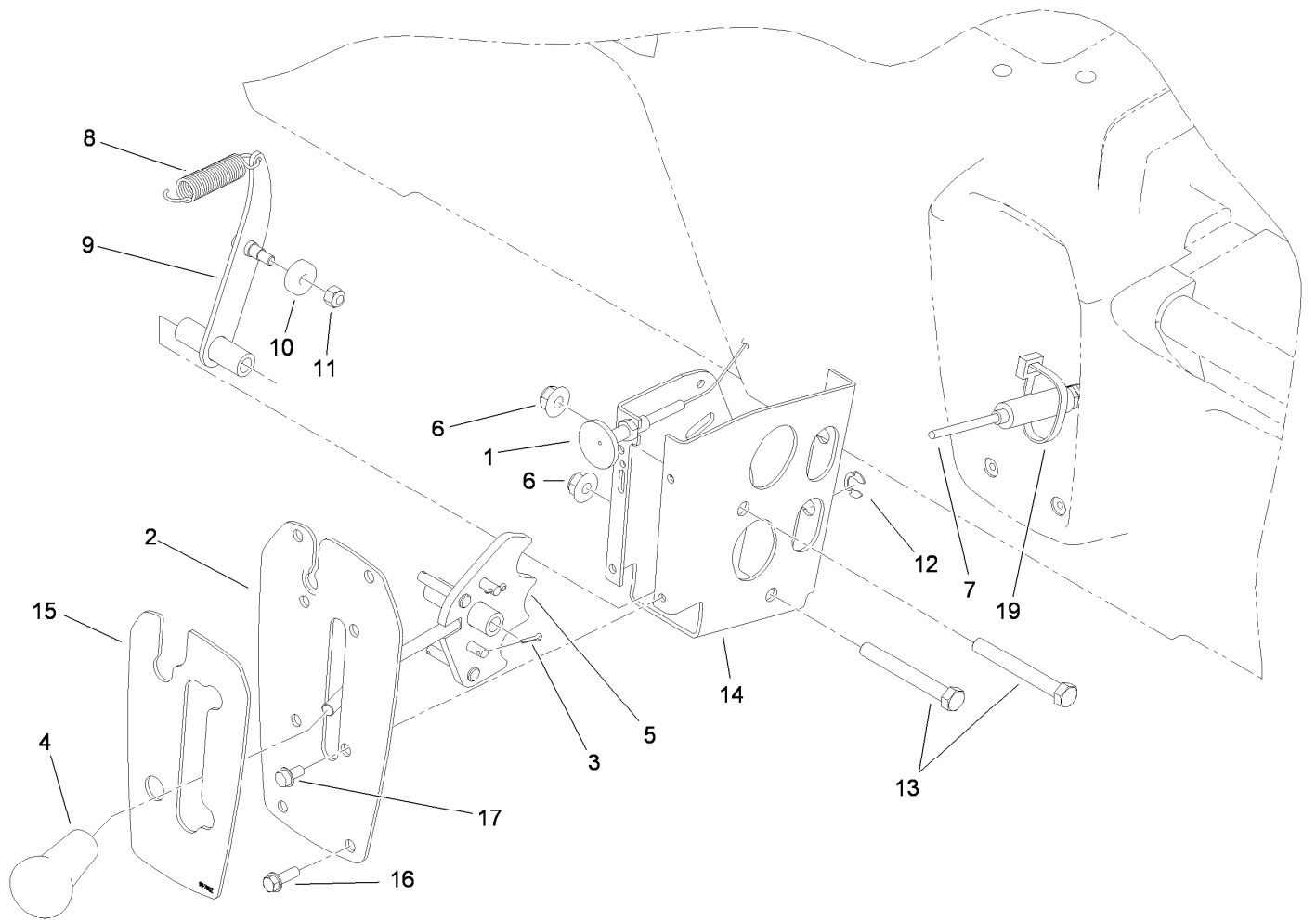
Dash Assembly (continued)

<i>Ref.</i>	<i>Part Number</i>	<i>Qty.</i>	<i>Description</i>	<i>Ref.</i>	<i>Part Number</i>	<i>Qty.</i>	<i>Description</i>
1	99-7411	1	Point-Power	26	114-8304	1	Bracket-Dash Mount, RH
2	99-7416	1	Cap	27	114-8312	1	Bracket-Dash Mount, LH
3	120-3956	1	Ignition Switch ASM	28	110-2594	1	Horn ASM
3:2	108-8660	1	Nut-Mounting	29	110-5053	1	Screw-HHF
3:3	106-5270	1	Ignition Key Set	30	42862	1	Block-Terminal, Ground
3:4	108-8659	1	Washer-Backup	31	42863	1	Strip-Jumper
4	104-7048	1	Cap-Housing	32	32105-13	4	Screw-HWH
5	99-7420	1	Plug-Hole	34	112-3376-03	1	Plate-Mount, Electrical
6	99-7410	1	Indicator-Light, Low-Oil Pressure	35	112-3325	1	Decal-Block, Fuse
7	95-8999	1	Switch	36	119-5774	1	Harness-Wire
8	94-4208	1	Hourmeter	36:1	100-4918	1	Diode
9	112-3324	1	Switch-Horn	36:2	218-578	1	Fuse-Blade, 10 Amp
10	112-3313	1	Cap And Nut ASM	36:3	109355	1	Fuse-Blade, 15 Amp
11	104-8300	21	Nut-Flange, NI	36:4	109101	1	Fuse-Blade, 20 Amp
12	104-7050	1	Tube-Manual	36:5	114-3342	1	Fuse-Maxi, 60 Amp
13	3234-11	2	Screw-HHF	37	100-4352	1	Screw-HWH
14	2412-133	2	R-Clamp	38	3255-8	2	Washer-Lock
15	114-8310	1	Dash ASM	39	3220-2	2	Nut-Jam
15:2	117-5001	1	Decal-Panel, Control	40	32149-8	2	Nut-Keps
15:3	104-6581	1	Decal-Danger	41	114-3315	1	Solenoid-12 Vdc
15:4	115-2412	1	Decal-No Storage	42	3234-33	2	Screw-HHF
16	104-6930	1	Plug-Rubber	43	3296-2	4	Nut-Lock, NI
17	112-3320	1	Handle-Grip	44	321-3	1	Screw-HH
18	114-8301	2	Spacer	45	119-9492	1	Regulator-Voltage
19	112-3391-03	1	Bracket-Grip, Handle	46	322-2	2	Screw-HH
21	104-7201	5	Nut-HF	47	114-5502	1	Clip-Fuse
22	110-5053	16	Screw-HHF	48	119-0752-03	1	Mount-Component
23	115-7651-03	1	Support-Dash	50	112-3027	1	Cover-Controller
24	104-8301	2	Nut-Flange, NI	52	114-8305	1	Angle-Mount, Dash (LH)
25	322-11	2	Screw-HH	53	112-3537	1	Cable-Battery, Positive



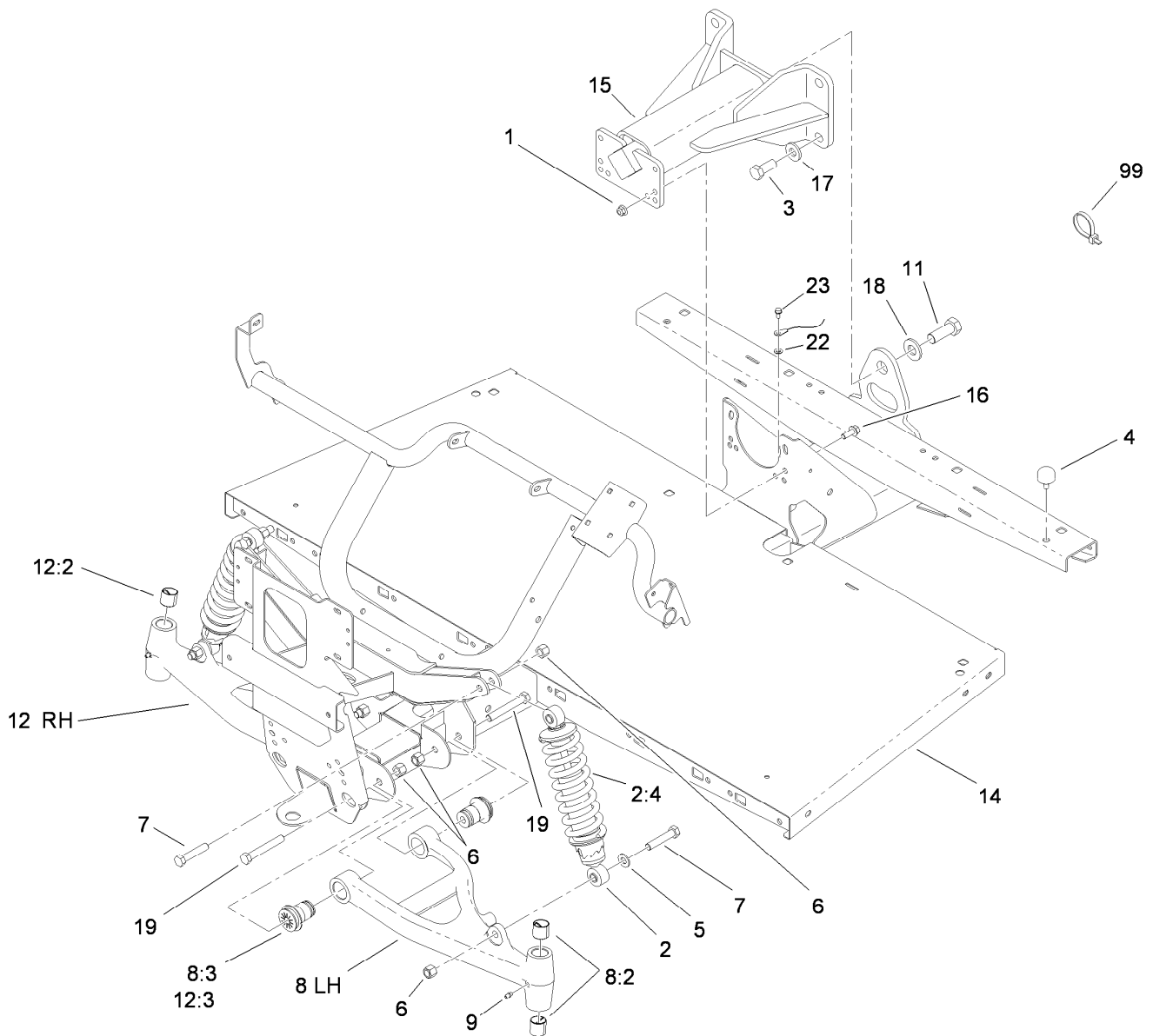
Pedal Box Assembly

<i>Ref.</i>	<i>Part Number</i>	<i>Qty.</i>	<i>Description</i>	<i>Ref.</i>	<i>Part Number</i>	<i>Qty.</i>	<i>Description</i>
1	119-0748-03	1	Support-Pedal	10	256-155	4	Bushing-Flange
2	119-9747-03	1	Pedal-Throttle	11	323-11	2	Screw-HH
3	112-3314-03	1	Pedal-Brake	12	323-4	2	Screw-HH
4	321-7	2	Screw-HH	13	104-8301	4	Nut-Flange, NI
5	32149-2	2	Nut-Keps	14	104-7164	2	Pivot-Pedal
6	104-6415	1	Spring-Return, Pedal	15	32144-4	2	Screw-HWH
7	99-7407	1	Switch	17	115-7632	1	Bolt-Shoulder
8	3290-134	2	Screw	18	3296-47	1	Nut-Lock, NI
9	1-633181	1	Plate-Tapped				



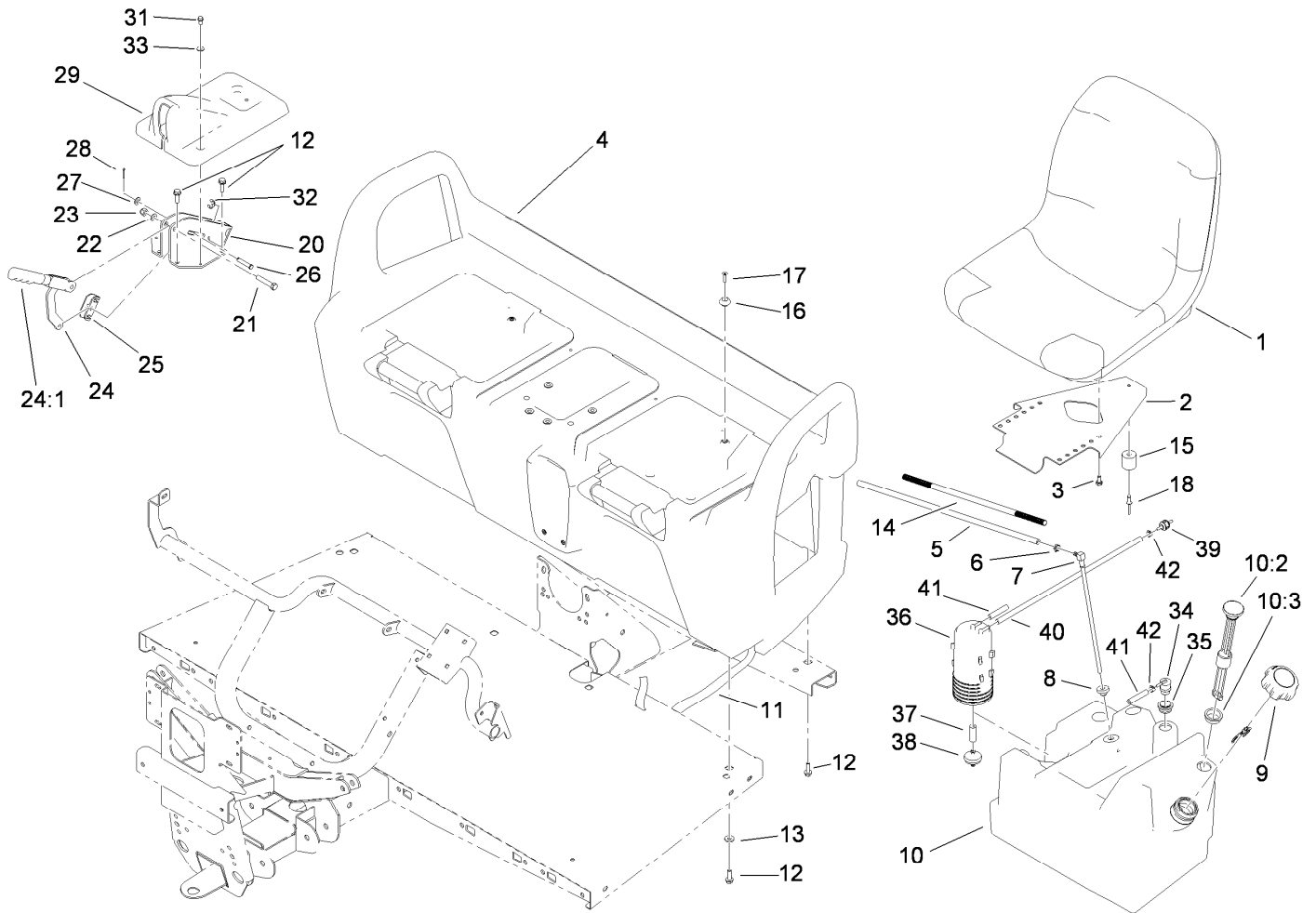
Shifter Assembly

<i>Ref.</i>	<i>Part Number</i>	<i>Qty.</i>	<i>Description</i>	<i>Ref.</i>	<i>Part Number</i>	<i>Qty.</i>	<i>Description</i>
1	99-7111	1	Cable-Choke	10	251-307	1	Bearing-Ball
2	99-7887-03	1	Plate-Shifter	11	3296-42	1	Nut-Lock, NI
3	3272-5	2	Pin-Cotter	12	32151-101	2	E-Ring
4	99-7981	1	Knob-Grip, Soft	13	323-14	2	Screw-HH
5	114-2719	1	Plate-Detent	14	108-3141-03	1	Bracket-Shift
6	104-8301	2	Nut-Flange, NI	15	99-7952	1	Decal-Shifter
7	115-7679	2	Tension Cable Control ASM	16	32105-15	4	Screw
8	104-6415	1	Spring-Return, Pedal	17	32144-4	4	Screw-HWH
9	108-3138	1	Arm-Detent	19	3290-378	1	Tie-Cable



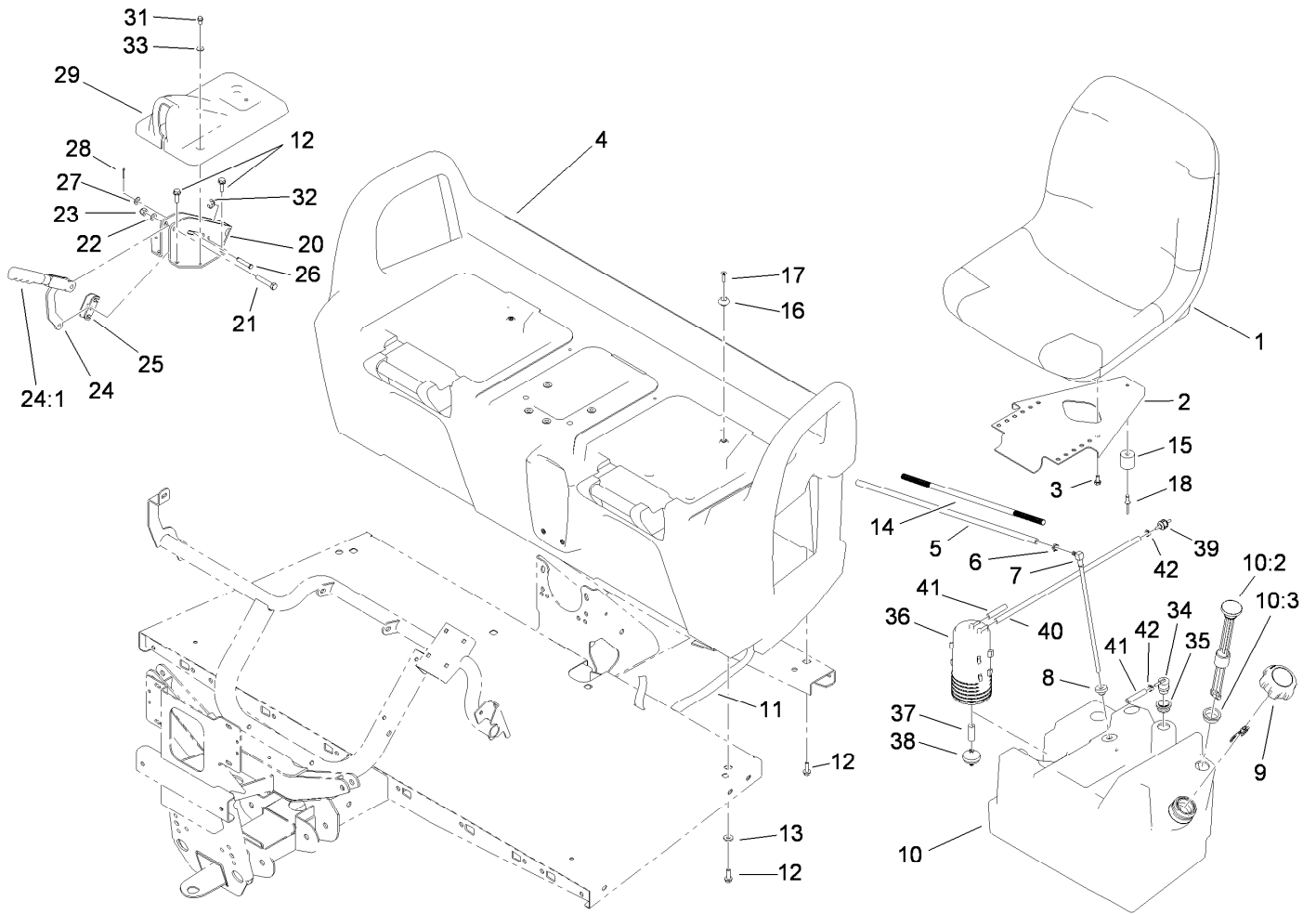
Front Frame Assembly

<i>Ref.</i>	<i>Part Number</i>	<i>Qty.</i>	<i>Description</i>	<i>Ref.</i>	<i>Part Number</i>	<i>Qty.</i>	<i>Description</i>
1	104-8301	4	Nut-Flange, NI	12	114-8314	1	RH A-Arm ASM
2	112-2975	2	Shock/Spring ASM	12:2	3-0348	2	Bushing
2:4	112-3383	1	Spring	12:3	87-1450	2	Bushing-Flange
3	327-4	4	Screw-HH	14	112-3340-03	1	Frame-Front
4	87-2440	1	Bumper-Rubber	15	99-7700	1	Pivot Yoke ASM
5	51-3500	2	Washer	16	3234-11	4	Screw-HHF
6	3296-23	8	Nut-Lock, NI	17	99-7667	4	Washer-Flat
7	325-10	4	Screw-HH	18	87-3060	1	Washer-Hardened
8	114-8313	1	LH A-Arm ASM	19	325-14	4	Screw-HH
8:2	3-0348	2	Bushing	22	3254-16	1	Washer-Lock/Int
8:3	87-1450	2	Bushing-Flange	23	32144-4	1	Screw-HWH
9	302-5	2	Fitting-Grease	99	3290-379	12	Tie-Cable
11	328-24	1	Screw-HH				



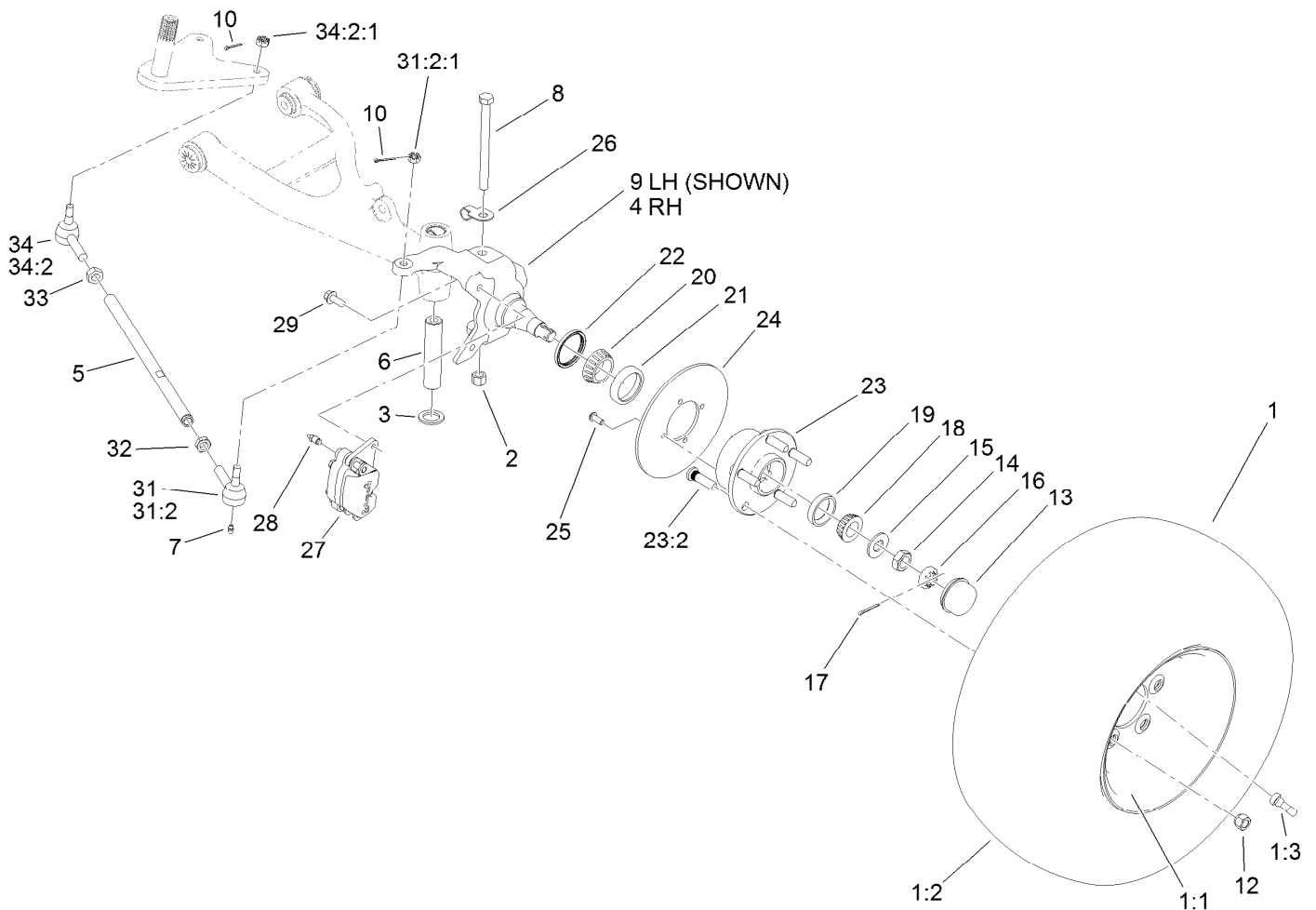
Seat Base Assembly

<i>Ref.</i>	<i>Part Number</i>	<i>Qty.</i>	<i>Description</i>	<i>Ref.</i>	<i>Part Number</i>	<i>Qty.</i>	<i>Description</i>
1	112-2923	2	Seat ASM	21	323-10	1	Screw-HH
2	99-7829	2	Bracket-Seat	22	3290-477	1	Washer-Curved
3	33114-016	8	Screw-HH	23	3296-39	1	Nut-Lock, NI
4	104-6847	1	Seat Base ASM	24	104-6842	1	Lever-Brake, Park
5	110-4103	1	Hose-Fuel	24:1	106-7972	1	Grip-Handle
6	2412-98	1	Clamp-Hose	25	87-3480	1	Bracket-Equalizer, Cable
7	99-7264	1	Pipe-Stand	26	94-3829	1	Pin-Clevis
8	46-6560	1	Bushing	27	3256-23	1	Washer-Flat
9	115-7788	1	Cap-Fuel	28	3272-6	1	Pin-Cotter
10	121-9769	1	Fuel Tank ASM	29	104-7014	1	Cover-Brake, Parking
10:2	99-7262	1	Gauge-Fuel	31	32144-4	2	Screw-HWH
10:3	95-8972	1	Grommet	32	32120-47	2	Ring-Retaining, External
11	3339-175	1	Strapping-Web	33	3256-1	2	Washer-Flat
12	3234-17	12	Screw-HHF	34	114-0285	1	Valve-Rollover
13	88-7200	8	Washer-Flat	35	114-0284	1	Grommet
14	99-7129	1	Conduit-Line, Fuel	36	117-1221	1	Canister-Carbon, 800Cc
15	99-7830	2	Rubber Receptical ASM	37	106-5317	1	Hose-Fuel
16	99-7833	2	Post-Holding	38	115-7854	1	Filter-Fuel, Inline
17	32108-5	2	Screw-FH	39	115-7868	1	Valve-Check, Vacuum
18	3290-412	2	Rivet	40	75-4701	1	Hose-Fuel
20	104-6844-03	1	Support-Brake, Park				



Seat Base Assembly (continued)

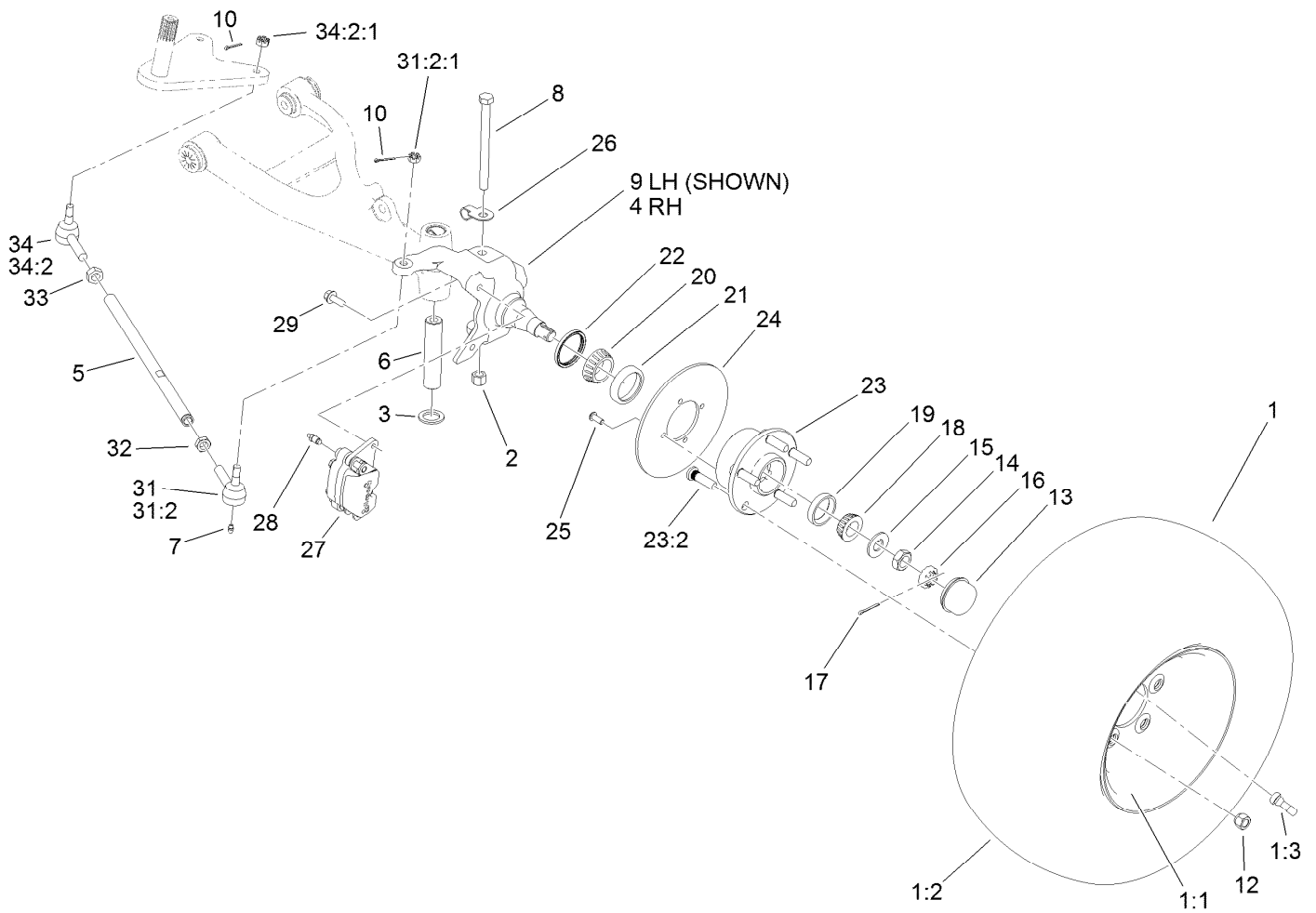
<i>Ref.</i>	<i>Part Number</i>	<i>Qty.</i>	<i>Description</i>
41	110-8751	1	Hose-Fuel
42	2412-146	2	Clamp-Hose



Front Tire, Spindle and Tie Rod Assembly

Ref.	Part Number	Qty.	Description	Ref.	Part Number	Qty.	Description
1	120-5025	2	Tire And Wheel ASM	17	3272-12	2	Pin-Cotter
1:1	120-4974	1	Wheel	18	254-94	2	Bearing-Cone, Tapered
1:2	104-7289	1	Tire	19	254-72	2	Bearing-Cup, Tapered
1:3	232-27	1	Stem-Valve	20	254-106	2	Cone-Bearing, Tapered
2	3296-23	2	Nut-Lock, NI	21	254-107	2	Cup-Bearing, Tapered
3	256-115	2	Washer-Thrust	22	108-7019	2	Seal-Shaft
4	119-9522	1	Spindle-RH	23	117-8071	2	Hub ASM
5	115-7654	2	Tie Rod	23:2	10-6830	5	Stud-Type, Drive
6	99-7499	2	Sleeve-Kingpin	24	119-9520	2	Rotor
7	302-5	4	Fitting-Grease	25	121-9671	8	Screw-HSBH
8	325-20	2	Screw-HH	26	112-3311	2	Clip-Hose
9	119-9521	1	Spindle-LH	27	119-9535	2	Brake Caliper ASM
10	3272-7	4	Pin-Cotter	28	119-9509	2	Screw-Bleed
12	242-50	10	Nut-Lug	29	3234-11	4	Screw-HHF
13	241-119	2	Cap-Dust	31	112771-03	2	Joint-Ball, LH
14	3220-7	2	Nut-Jam	31:2		1	Socket-Balljoint ●
15	93-0309	2	Washer-Tab	31:2:1	915031	1	Nut
16	93-0307	2	Nut-Lock, Retainer	32	3218-21	2	Nut-Jam

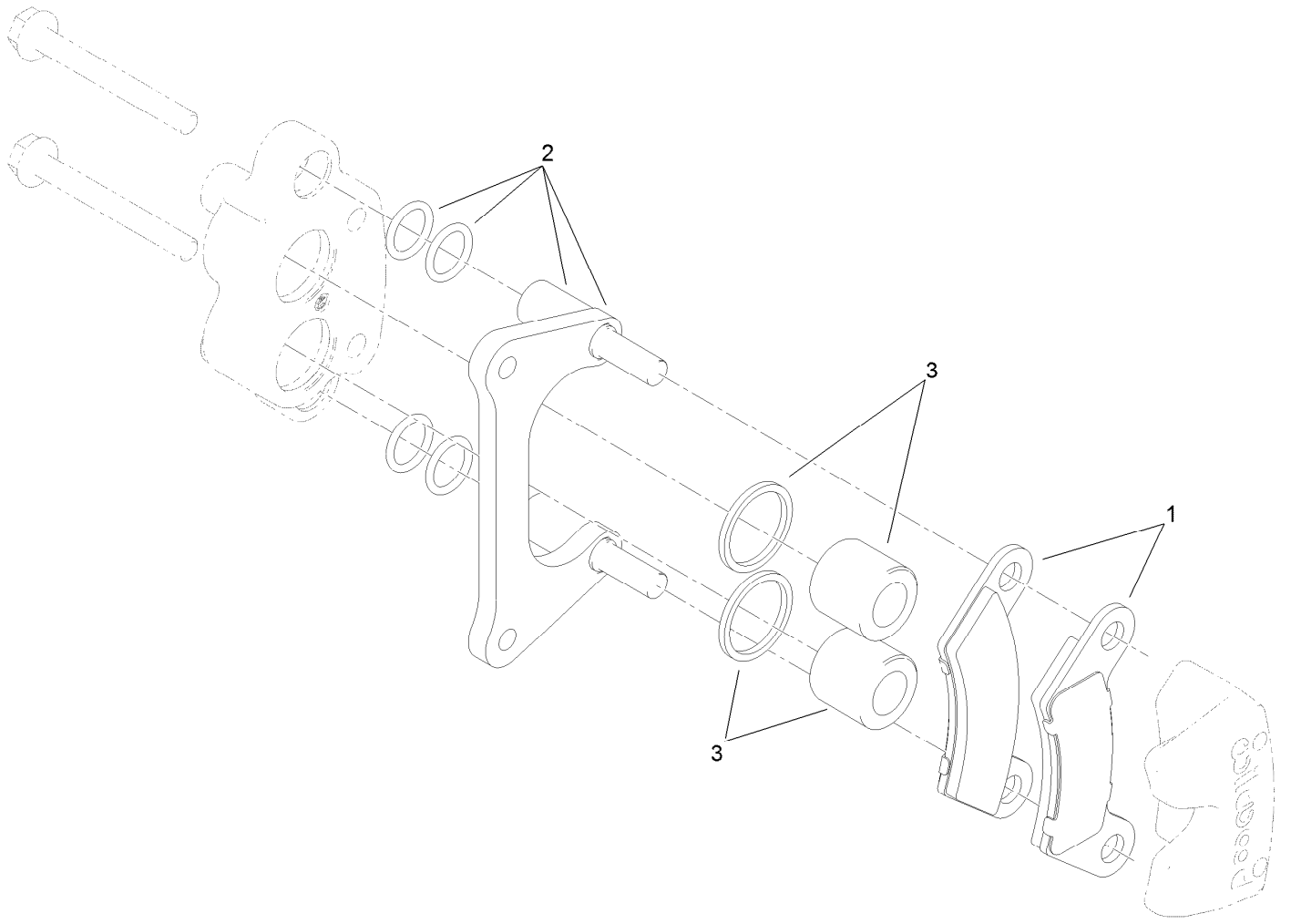
● Not serviced separately



Front Tire, Spindle and Tie Rod Assembly (continued)

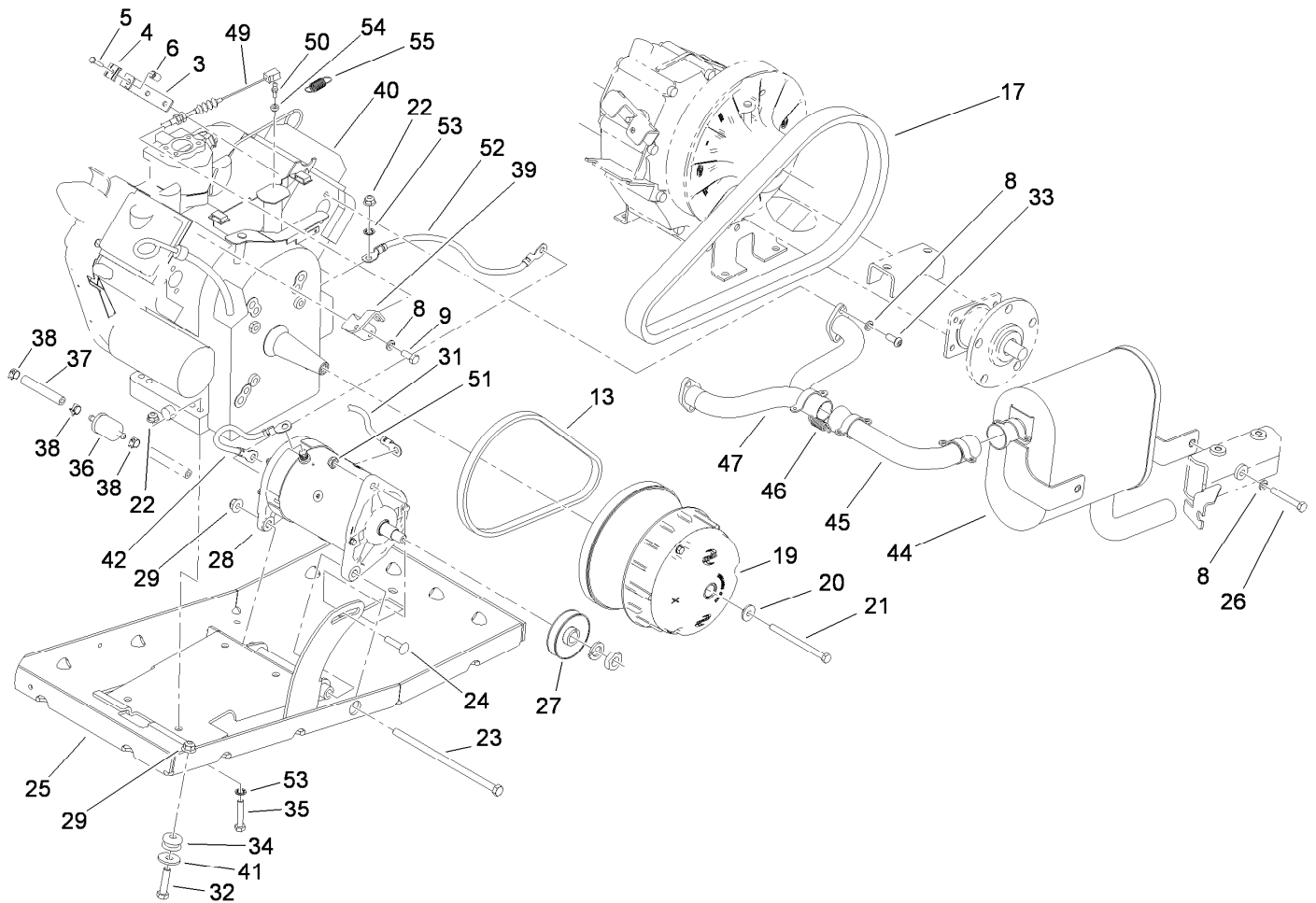
Ref.	Part Number	Qty.	Description	Ref.	Part Number	Qty.	Description
33	3220-11	2	Nut-Jam	34:2		1	Socket-Balljoint ●
34	112772-03	2	Joint-Ball, RH	34:2:1	915031	1	Nut

● Not serviced separately



Brake Caliper Assembly No. 119-9535

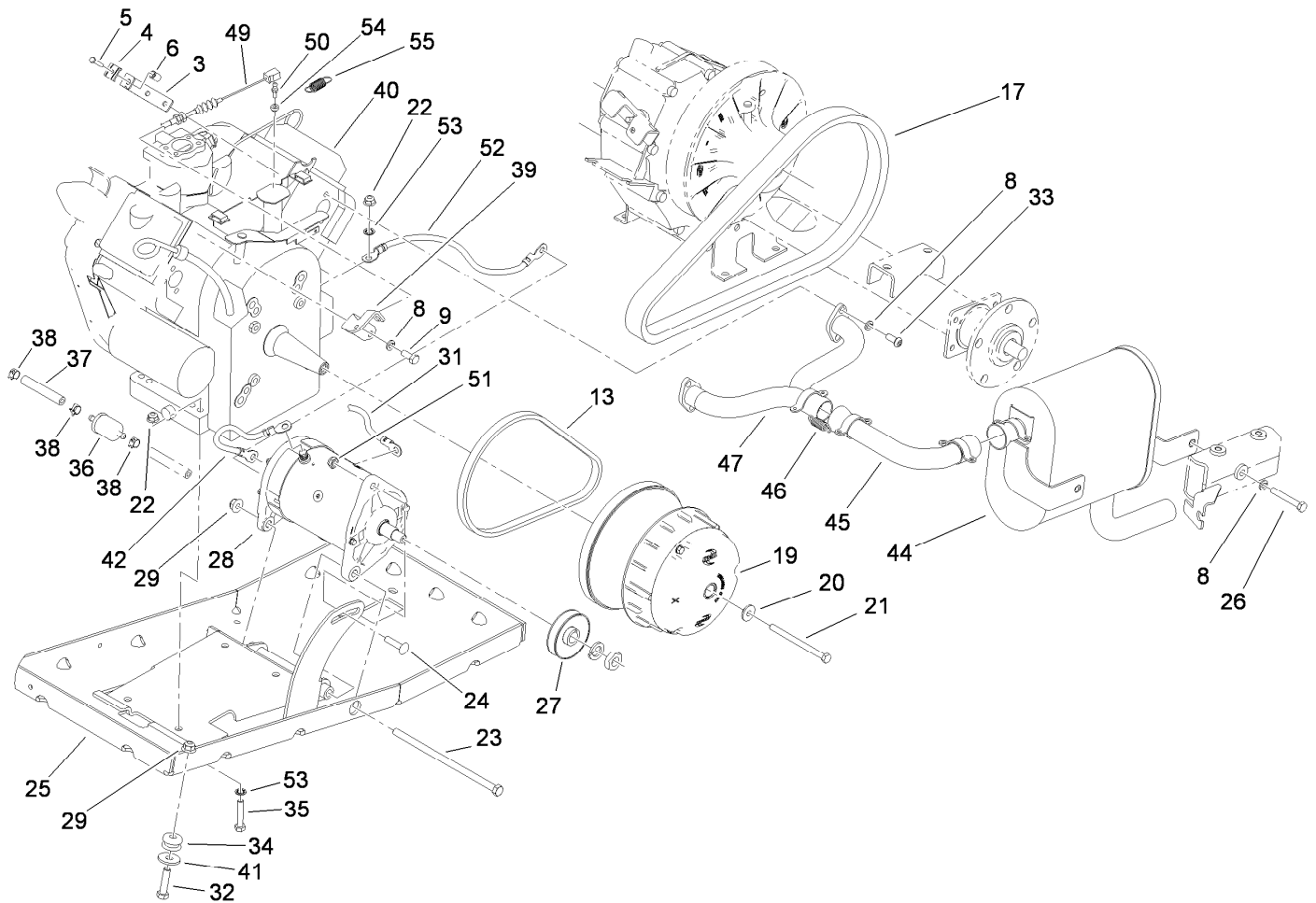
<i>Ref.</i>	<i>Part Number</i>	<i>Qty.</i>	<i>Description</i>
1	119-9510	1	Brake Pad Kit
2	119-9511	1	Bracket Kit
3	119-9512	1	Piston Kit



Engine and Clutch Assembly

Ref.	Part Number	Qty.	Description	Ref.	Part Number	Qty.	Description
3	107-0319	1	Bracket-Cable	29	104-8301	3	Nut-Flange, NI
4	81-1690	1	Clamp-Cable	31	115-8109	1	Harness-Wire, Engine
5	3290-432	1	Screw-HH	32	323-8	2	Screw-HH
6	32148-14	1	Insert-Threaded	33	3274-96	4	Screw-HSBH
8	3253-4	8	Washer-Lock	34	63-9750	2	Mount
9	66-3160	2	Screw-Cap	35	322-9	4	Screw-HH
13	112-2911	1	Belt-Starter	36	94-2690	1	Filter-Fuel
17	119-0711	1	Belt-Variable	37	114-3765	1	Hose-Fuel
19	120-4818	1	Clutch-Primary	38	2412-98	3	Clamp-Hose
20	119-0724	1	Washer-Flange	39	115-2393	1	Bracket-Cable
21	119-0722	1	Screw-HH	40	117-2714	1	Engine-Briggs & Stratton, 295440-0153-G2 ●
22	104-8300	4	Nut-Flange, NI	41	2844	2	Washer
23	323-30	1	Screw-HH	42	99-7403	1	Cable-Negative
24	112-6950	1	Screw-CARR	44	119-0746	1	Muffler
25	119-0709-03	1	Tray-Engine	45	119-0717	1	Pipe-Exhaust
26	322-11	2	Screw-HH	46	104-6478	4	Spring-Coupler, Exhaust
27	121-6277	1	Pulley-Drive	47	104-6476	1	Manifold-Engine
28	119-9545	1	Starter Generator ASM				

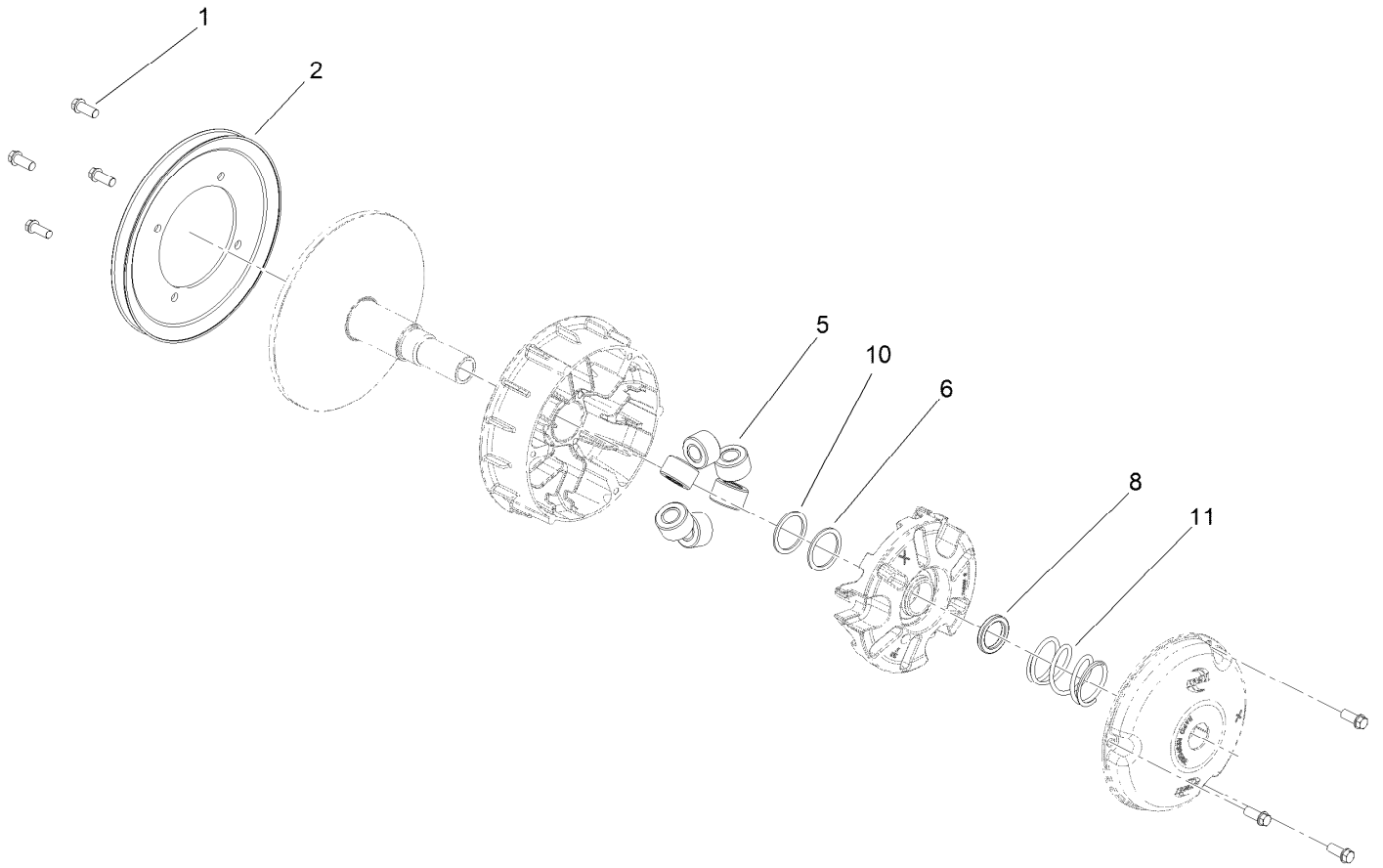
● Obtain parts from www.briggsandstratton.com



Engine and Clutch Assembly (continued)

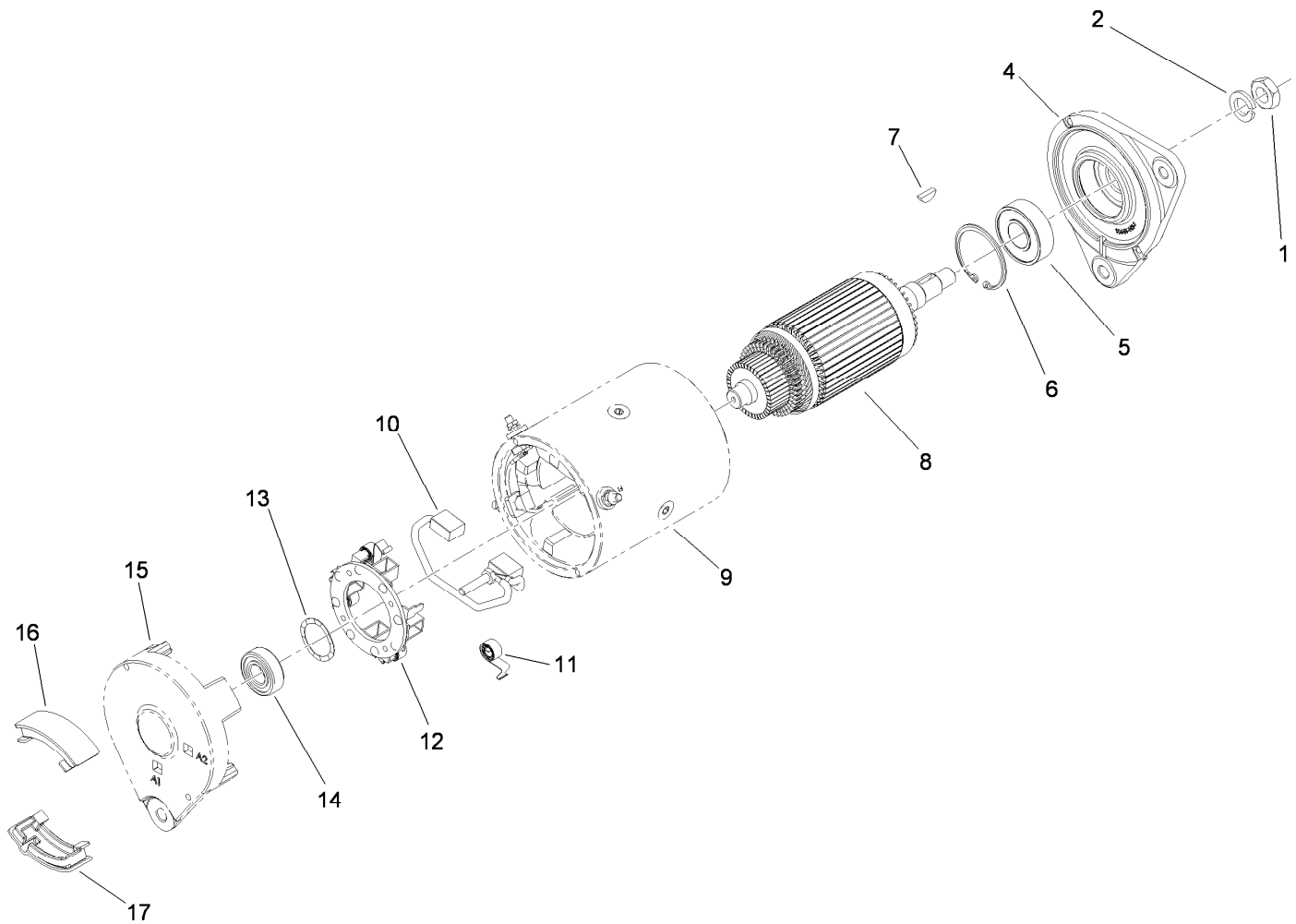
<i>Ref.</i>	<i>Part Number</i>	<i>Qty.</i>	<i>Description</i>	<i>Ref.</i>	<i>Part Number</i>	<i>Qty.</i>	<i>Description</i>
49	115-7612	1	Cable-Accelerator	53	3254-2	2	Washer-Lock, Internal
50	99-7847	1	Ball-Stud	54	110-2619	1	Keeper-Spring
51	3296-69	1	Nut-Lock NI	55	71-5470	1	Spring-Brake
52	94-2777	1	Wire-Ground				

● Obtain parts from www.briggsandstratton.com



Primary Clutch Assembly No. 120-4818

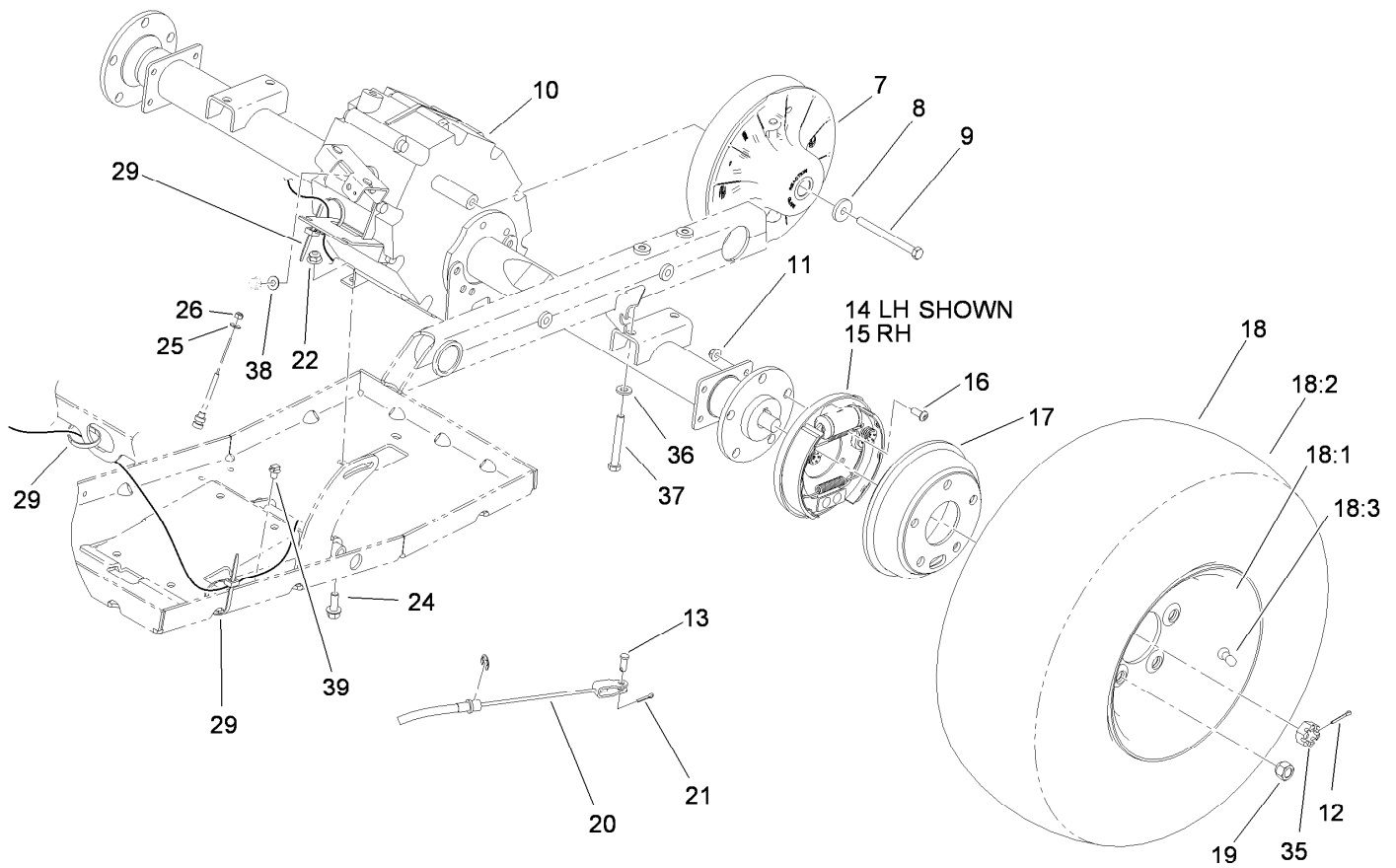
<i>Ref.</i>	<i>Part Number</i>	<i>Qty.</i>	<i>Description</i>
1	49-2040	7	Screw-HWHTF
2	119-0813	1	Pulley-Primary
5	119-9533	6	Roller-60G
6	119-0812	1	Shim-Spider
8	119-0807	1	Shim-Limiter (.175)
10	119-0815	1	Shim-Spider
11	119-9532	1	Spring-Red/White



Starter Generator Assembly No. 119-9545

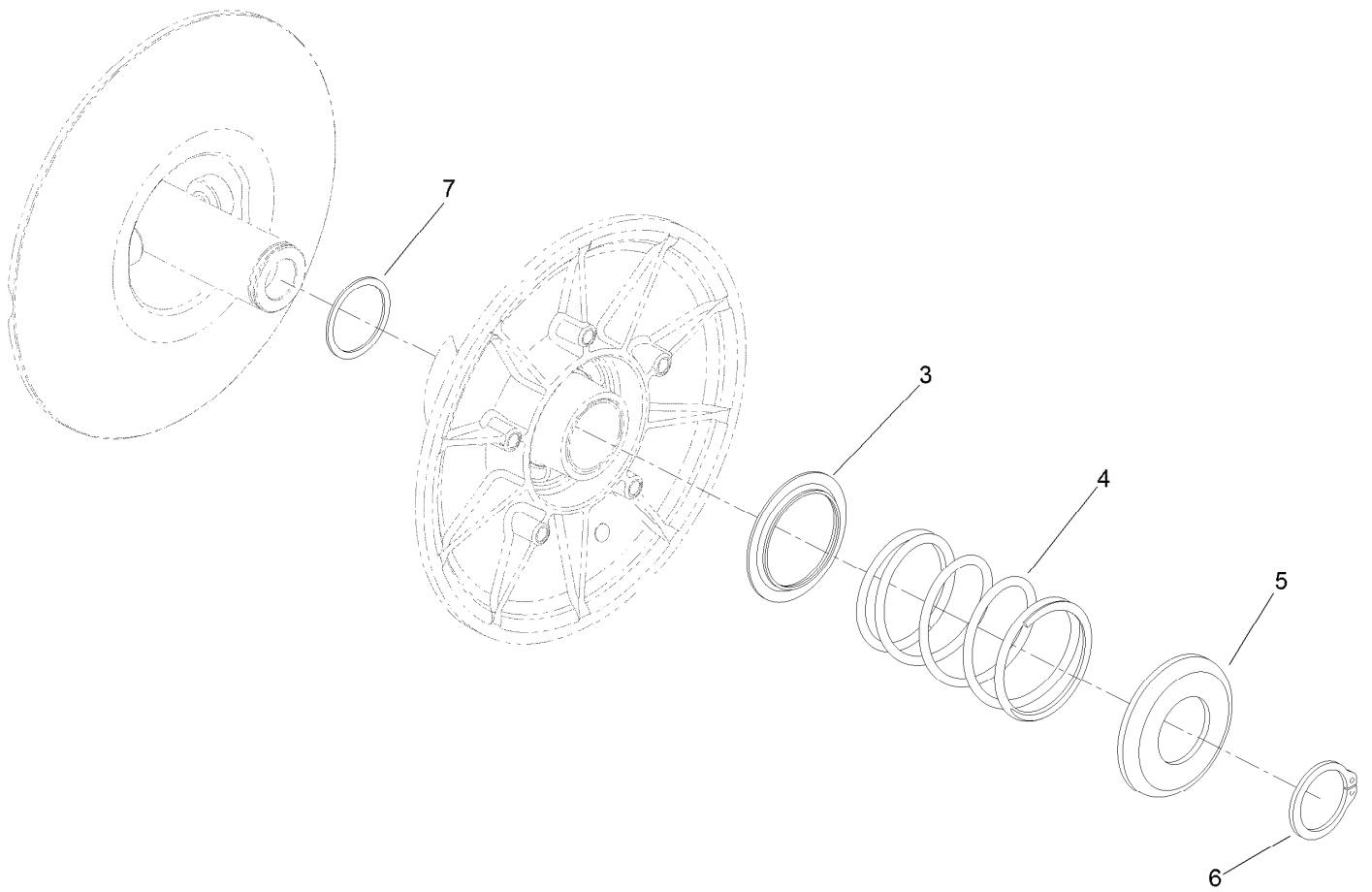
Ref.	Part Number	Qty.	Description	Ref.	Part Number	Qty.	Description
1	119-9651	1	Nut	10	119-9659	1	Brush Lead And Terminal Service Kit
2	119-9652	1	Washer-Lock	11	119-9660	4	Spring-Brush
4	119-9654	1	Head-End, Drive	12	119-9661	1	Brush Box ASM
5	119-9655	1	Bearing	13	119-9662	1	Washer-Wave
6	119-9656	1	Ring-Retaining	14	119-9663	1	Bearing
7	119-9657	1	Key-Woodruff	15		1	Head-End, Cummutator ●
8	119-9658	1	Armature ASM	16	119-9664	3	Plug-Rubber
9		1	Frame And Field Assembly ●	17	119-9665	1	Plug-Rubber

● Not serviced separately



Rear Tire and Transaxle Assembly

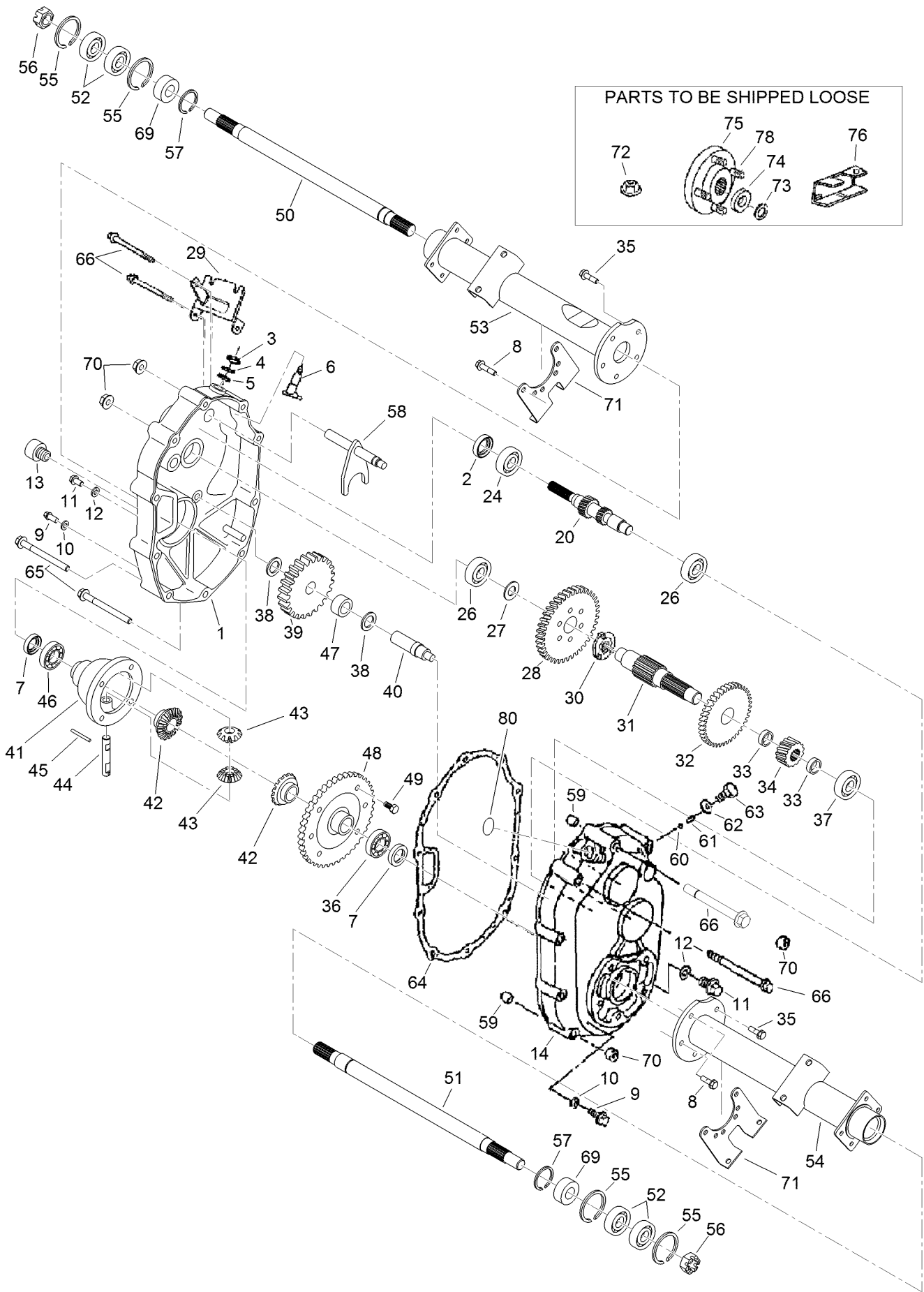
<i>Ref.</i>	<i>Part Number</i>	<i>Qty.</i>	<i>Description</i>	<i>Ref.</i>	<i>Part Number</i>	<i>Qty.</i>	<i>Description</i>
7	119-6011	1	Secondary Clutch ASM	18:3	232-27	1	Stem-Valve
8	104-6563	1	Washer-Stepped	19	242-50	10	Nut-Lug
9	119-0723	1	Screw-HH, Lock	20	112-3309	2	Cable-Brake
10	119-0760	1	Transaxle	21	3272-10	2	Pin-Cotter
11	104-8300	8	Nut-Flange, NI	22	104-8301	4	Nut-Flange, NI
12	3272-12	2	Pin-Cotter	24	3234-11	4	Screw-HHF
13	283-62	2	Pin-Clevis	25	3256-49	2	Washer-Flat
14	114-8332	1	LH Brake ASM	26	3296-2	2	Nut-Lock, NI
15	114-8331	1	RH Brake ASM	29	3290-378	3	Tie-Cable
16	3274-55	8	Screw-HSBH	35	104-1656	2	Nut-Castle
17	104-6500	2	Drum-Brake	36	100-4852	4	Washer-Hardened
18	120-4972	2	Tire And Wheel ASM	37	323-14	4	Screw-HH
18:1	87-5720	1	Wheel	38	87-8640	1	Washer-Flat
18:2	104-7281	1	Tire	39	32180-030	1	Clip-Tie



Secondary Clutch Assembly No. 119-6011

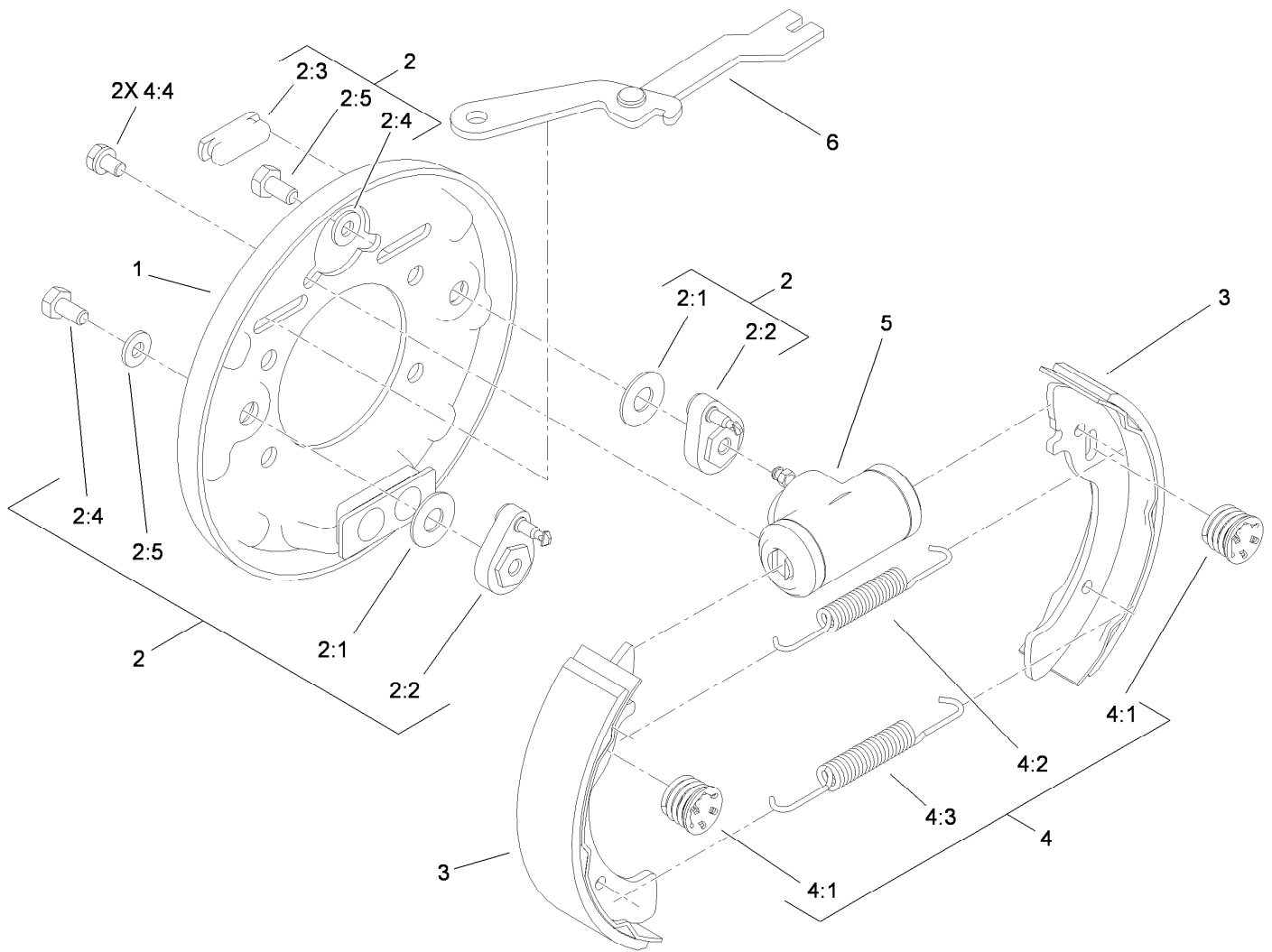
<i>Ref.</i>	<i>Part Number</i>	<i>Qty.</i>	<i>Description</i>
3	119-0809	1	Cup-Spring Retainer, Inner
4	119-9360	1	Spring-Compression, Black/Almond
5	119-0810	1	Cup-Spring Retainer, Outer
6	119-0811	1	Ring-Retaining
7	119-6018	1	Shim-Thrust

Transaxle Assembly No. 119-0760



Transaxle Assembly No. 119-0760 (continued)

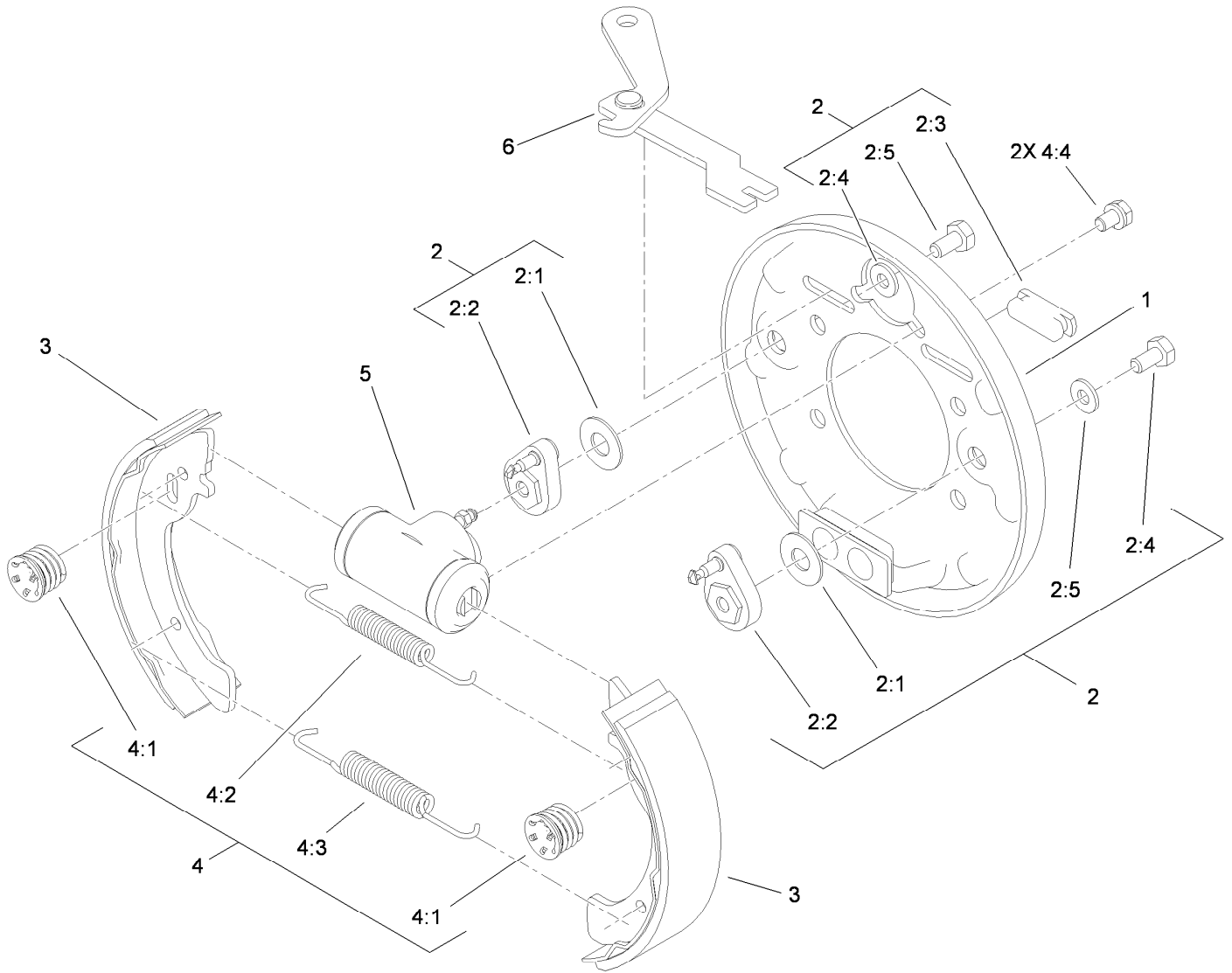
<i>Ref.</i>	<i>Part Number</i>	<i>Qty.</i>	<i>Description</i>	<i>Ref.</i>	<i>Part Number</i>	<i>Qty.</i>	<i>Description</i>
1	104-1601	1	Case-LH, Complete	44	104-1644	1	Shaft-Differential
2	104-1602	1	Seal-Oil	45	104-1645	1	Pin
3	104-1603	1	Seal-Oil	46	104-1646	1	Bearing-Ball
4	104-1604	1	Ring-Snap	47	104-1647	1	Bearing-Needle
5	104-1605	1	Spacer	48	104-1648	1	Gear
6	104-1606	1	Shaft-Selector	49	104-1649	6	Bolt
7	104-1607	2	Seal-Oil	50	104-1650	1	Shaft-Axle, LH
8	104-1608	4	Bolt-Flange	51	104-1651	1	Shaft-Axle, RH
9	104-1609	2	Plug-Check, Oil	52	104-1652	4	Bearing-Ball
10	104-1610	2	Gasket	53	104-1653	1	Case-Axle, LH
11	104-1611	2	Plug-Drain, Oil	54	104-1654	1	Case-Axle, RH
12	104-1612	2	Gasket	55	104-1655	4	Ring-Snap
13	104-1613	1	Plug-Filler, Oil	56	104-1656	2	Nut-Castle
14	104-1614	1	Case-Complete, RH	57	104-1657	2	Ring-Snap
20	104-7002	1	Shaft-Input, Complete	58	104-6870	1	Shaft-Shift, Complete
24	104-1624	1	Bearing-Ball	59	104-1659	2	Knock-Pipe
26	104-1626	2	Bearing-Ball	60	104-1660	1	Ball-Steel
27	104-1627	1	Spacer	61	104-1661	1	Spring
28	104-1628	1	Gear	62	104-1662	1	Gasket
29	104-1629	1	Bracket-Wire, Change	63	104-1663	1	Bolt
30	104-1630	1	Clutch-Pin	64	104-1664	1	Gasket
31	104-1631	1	Shaft-Center	65	104-1665	6	Bolt-Flange
32	104-1632	1	Gear	66	104-1666	4	Bolt-Flange
33	104-1633	2	Collar	69	104-6867	2	Collar
34	104-1634	1	Gear	70	33004-00	10	Nut-HF
35	104-1635	6	Bolt-Flange	71	104-1671	2	Bracket-Axle
36	104-1636	1	Bearing-Ball	72	104-1672	1	Nut-Lock
37	104-1637	1	Bearing-Ball	73	104-1673	2	Washer-Spring
38	104-1638	2	Spacer	74	104-1674	2	Washer
39	104-1639	1	Gear	75	104-1675	2	Hub
40	104-1640	1	Shaft-Counter	76	104-6860	1	Lever-Select
41	104-1641	1	Case-Differential	78	104-8649	10	Stud
42	104-1642	2	Gear-Side, Differential	80	121-9718	1	Cap-Seal
43	104-1643	2	Pinion-Differential				



LH Rear Brake Assembly No. 114-8332

Ref.	Part Number	Qty.	Description
1	100-8586	1	Backing Plate ASM
2	104-6820	1	Adjuster Kit
2:1	100-8585	2	Washer-Bellville
2:2	100-8588	2	Adjuster Lever ASM
2:3	100-8584	2	Cover-Dust
2:4		2	Washer ●
2:5		2	Bolt ●
3	104-6818	4	Shoe And Lining Kit
4	104-6819	1	Hardware Kit
4:1	100-8583	2	Shoe Hold Down Spring ASM
4:2	100-8581	2	Spring-Upper
4:3	100-8582	2	Spring-Lower
4:4		2	Bolt And Washer ●
5	114-8333	1	Wheel Cylinder ASM
6	104-6825	1	LH Park Brake Lever ASM

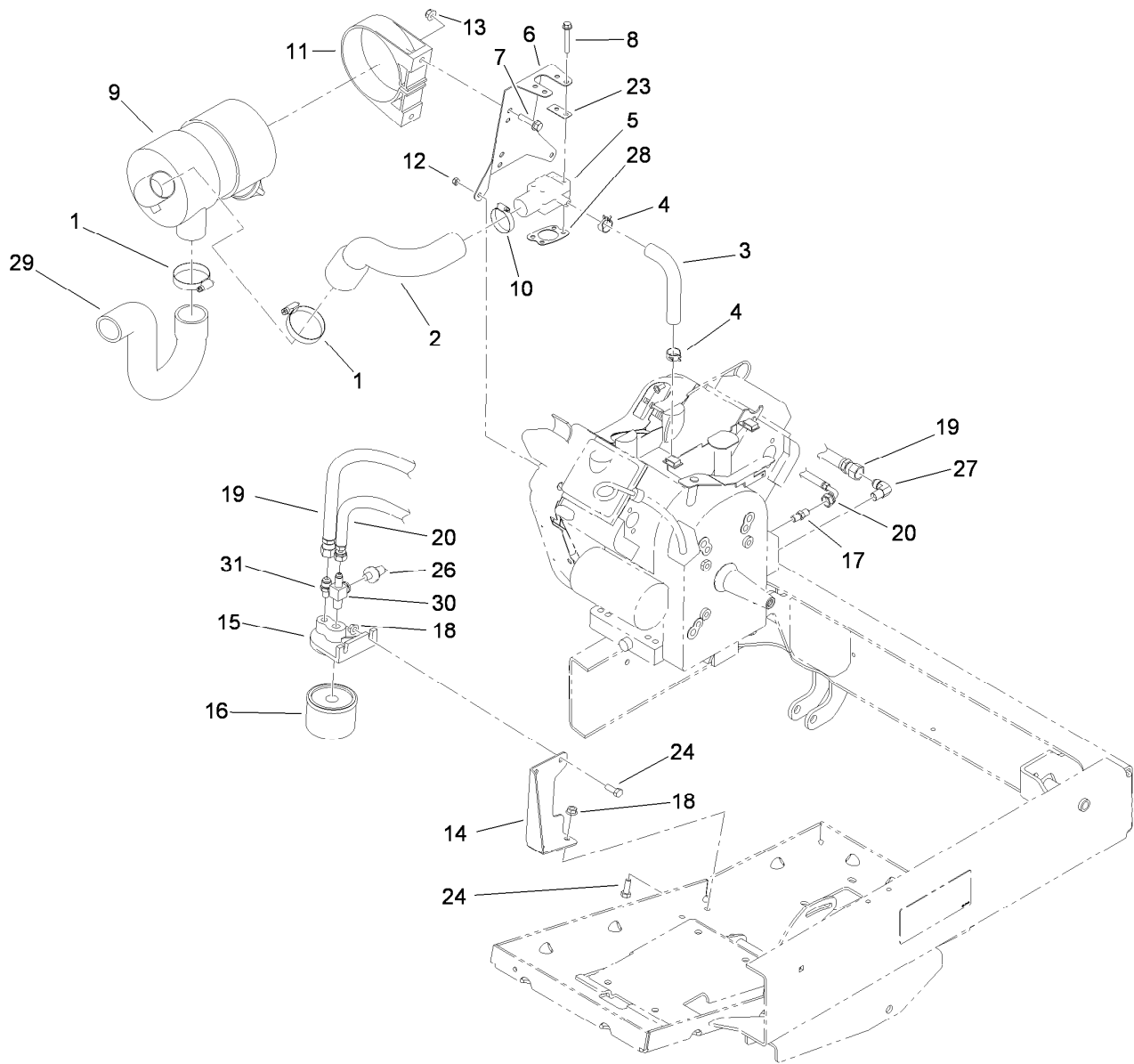
● Not serviced separately



RH Rear Brake Assembly No. 114-8331

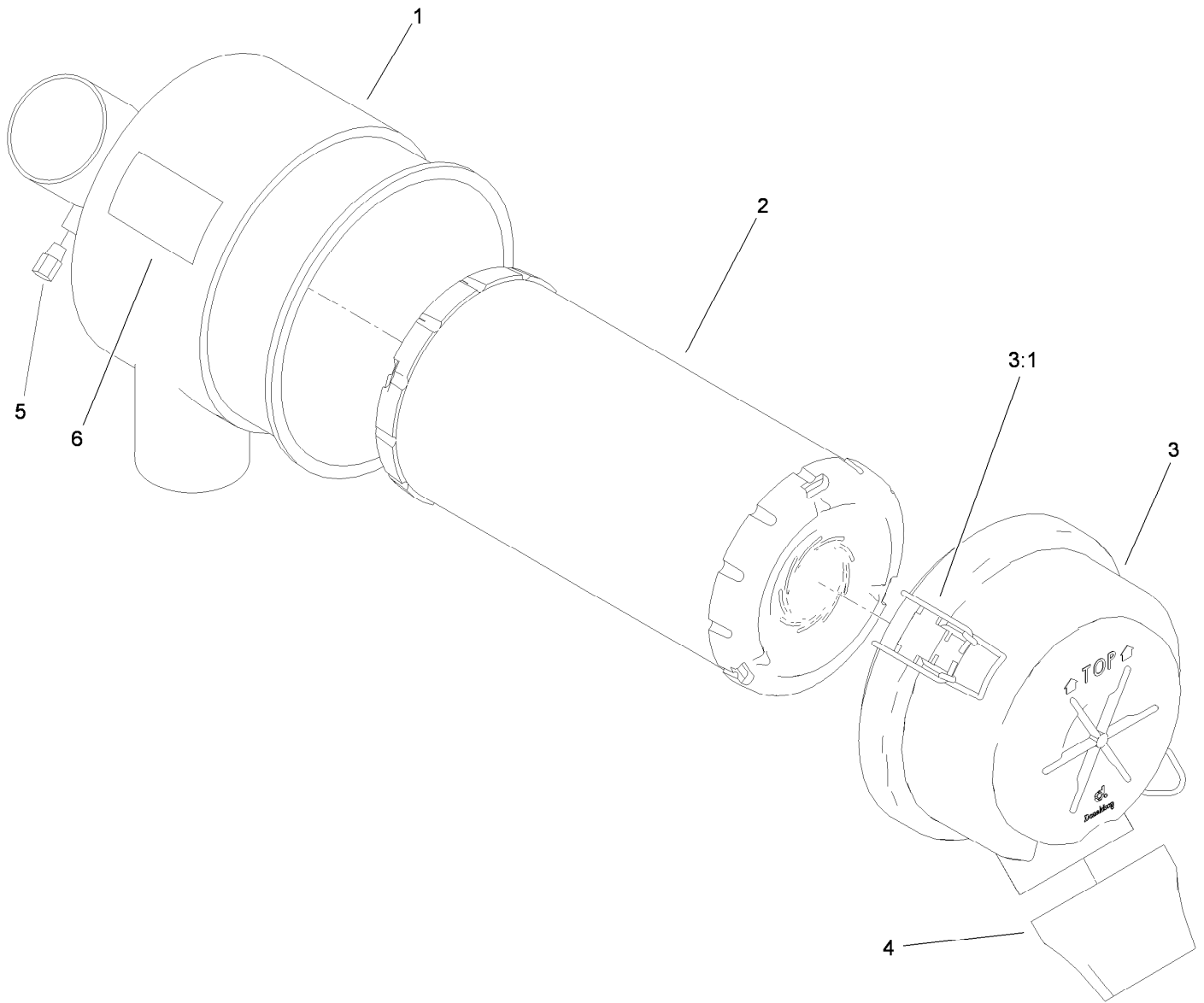
Ref.	Part Number	Qty.	Description
1	100-8586	1	Backing Plate ASM
2	104-6820	1	Adjuster Kit
2:1	100-8585	2	Washer-Bellville
2:2	100-8588	2	Adjuster Lever ASM
2:3	100-8584	2	Cover-Dust
2:4		2	Washer ●
2:5		2	Bolt ●
3	104-6818	4	Shoe And Lining Kit
4	104-6819	1	Hardware Kit
4:1	100-8583	2	Shoe Hold Down Spring ASM
4:2	100-8581	2	Spring-Upper
4:3	100-8582	2	Spring-Lower
4:4		2	Bolt And Washer ●
5	114-8333	1	Wheel Cylinder ASM
6	104-6826	1	RH Park Brake Lever ASM

● Not serviced separately



Oil Filter and Air Cleaner Assembly

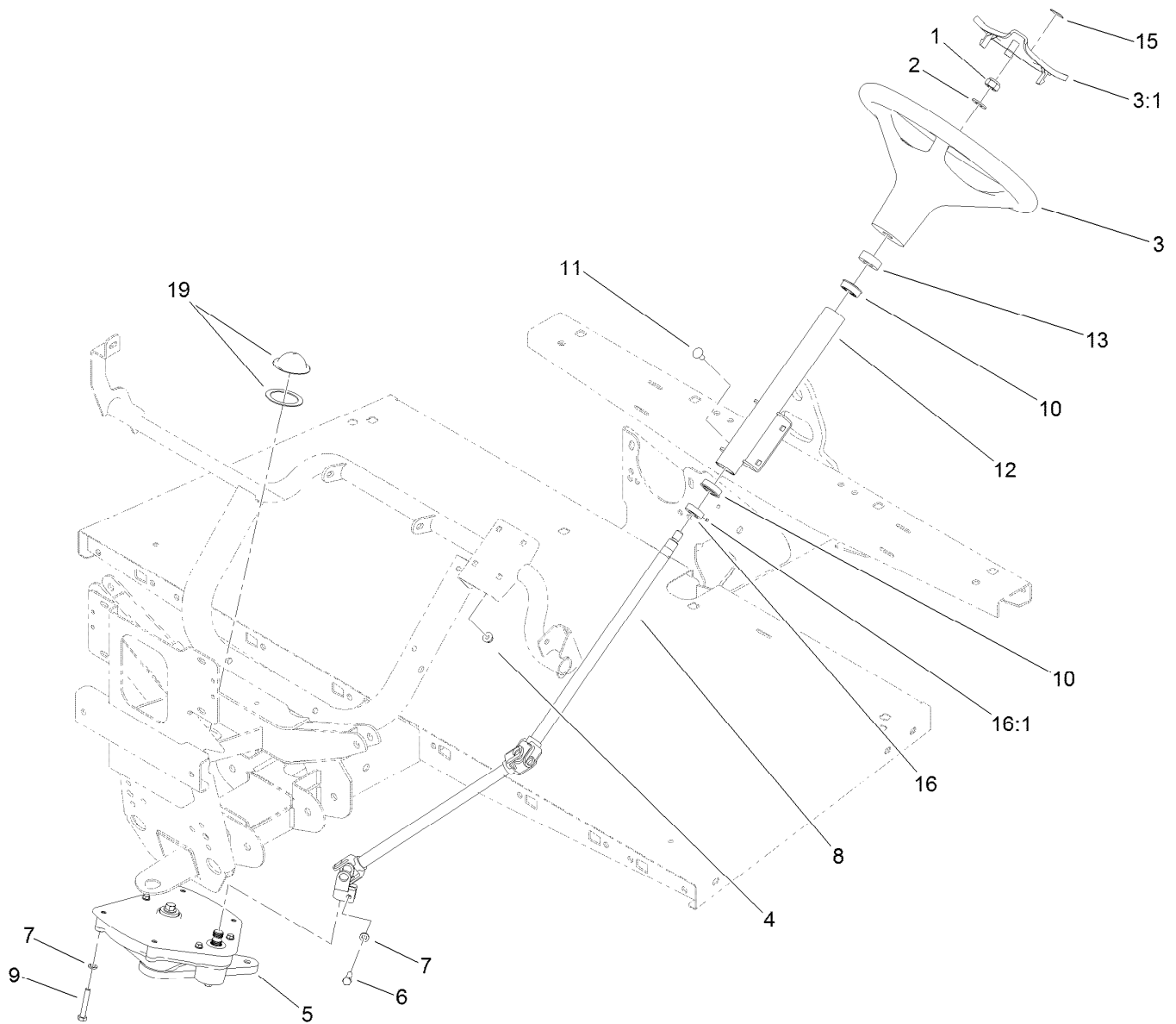
<i>Ref.</i>	<i>Part Number</i>	<i>Qty.</i>	<i>Description</i>	<i>Ref.</i>	<i>Part Number</i>	<i>Qty.</i>	<i>Description</i>
1	2412-130	2	Clamp-Hose	15	115-2314	1	Adapter-Filter, Oil
2	112-3227	1	Hose-Intake	16	107-7817	1	Filter-Oil, Engine
3	112-6461	1	Hose-Adapter, Carburetor	17	112-3282	1	Fitting-Straight
4	2412-143	2	Clamp-Hose	18	32128-20	4	Nut-HF
5	108-2829	1	Adaptor-Carburetor	19	119-0831	1	HYD Hose ASM
6	119-0862-03	1	Bracket-Cleaner, Air	20	119-0832	1	HYD Hose ASM
7	3234-36	2	Screw-HHF	23	108-8427	2	Gasket-Carburetor
8	33103-045	4	Screw-HHF	24	110-5053	4	Screw-HHF
9	99-7120	1	Air Cleaner ASM	26	115-2316	1	Switch-Pressure
10	2412-3	1	Clamp-Hose	27	115-2317	1	Fitting-Elbow
11	95-5806	1	Bracket-Mounting	28	110-8158	1	Gasket-Adaptor
12	33023-00	2	Nut-Lock	29	115-7623	1	Hose-Intake
13	104-8300	2	Nut-Flange, NI	30	119-0826	1	Fitting-Tee
14	112-3240-03	1	Bracket-Filter, Oil	31	119-0833	1	Fitting-Straight



Air Cleaner Assembly No. 99-7120

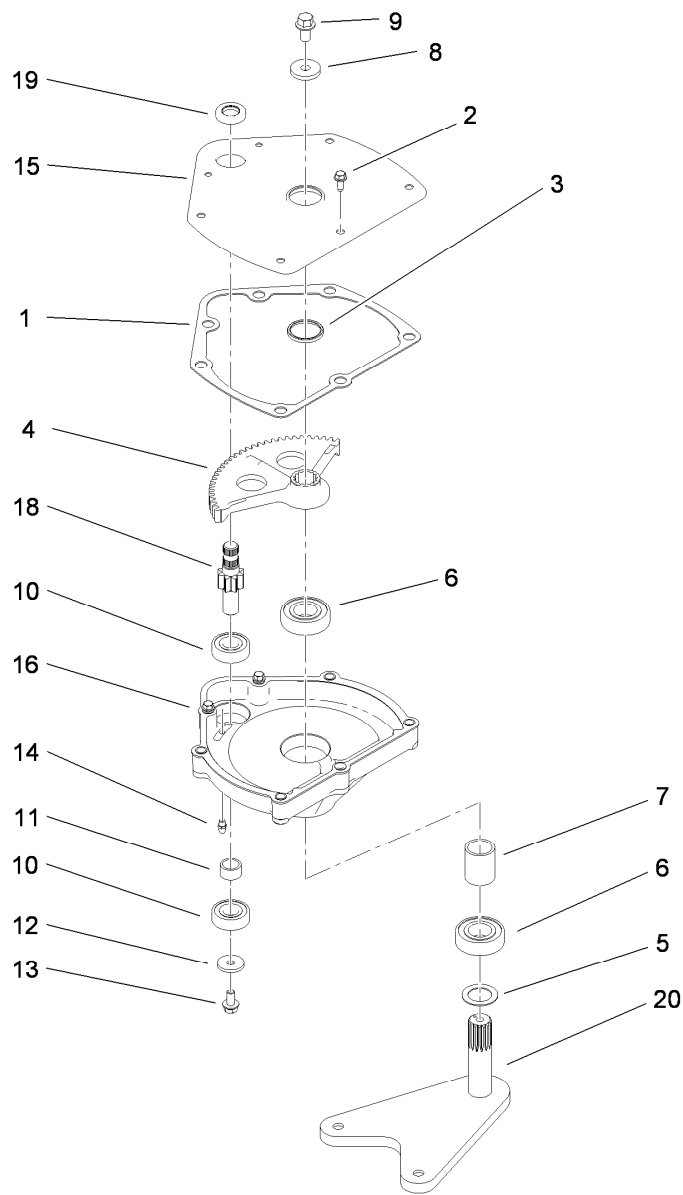
Ref.	Part Number	Qty.	Description
1		1	Body ●
2	108-3811	1	Filter-Air
3	94-3652	1	Cover ASM
3:1	1-643283	2	Latch-Cleaner, Air
4	87-9400	1	Valve-Vacuator
5		1	Plug ●
6		1	Marking ●

● Not serviced separately



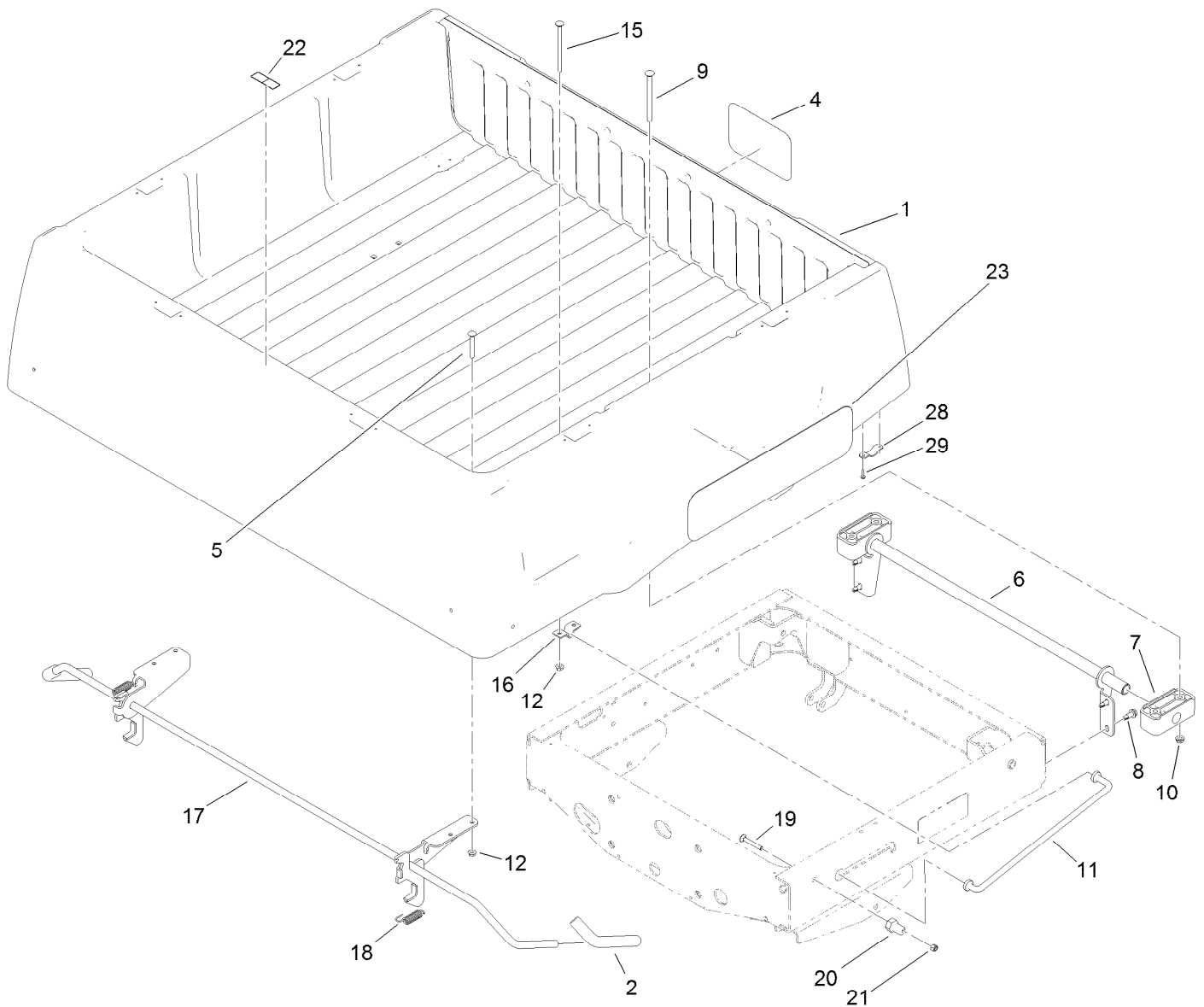
Upper Steering Assembly

<i>Ref.</i>	<i>Part Number</i>	<i>Qty.</i>	<i>Description</i>	<i>Ref.</i>	<i>Part Number</i>	<i>Qty.</i>	<i>Description</i>
1	119-9493	1	Nut-Lock, NI	9	112-3305	4	Screw-HH
2	3256-26	1	Washer-Flat	10	112-3262	2	Bearing
3	98-1471	1	Wheel-Steering	11	3230-1	4	Bolt-CARR
3:1	98-1468	1	Cover-Wheel, Steering	12	112-3264-03	1	Column
4	104-8300	4	Nut-Flange, NI	13	21-9260	1	Cover-Dust
5	112-3130	1	Steering Box ASM	15	98-1459	1	Decal
6	48-7730	1	Screw-Cap, HH	16	111383	1	Collar
7	3253-4	5	Washer-Lock	16:1	3245-32	1	Screw-HSH
8	112-3355	1	Steering Shaft ASM	19	120-5049	1	Steering Box Cover Kit



Steering Box Assembly No. 112-3130

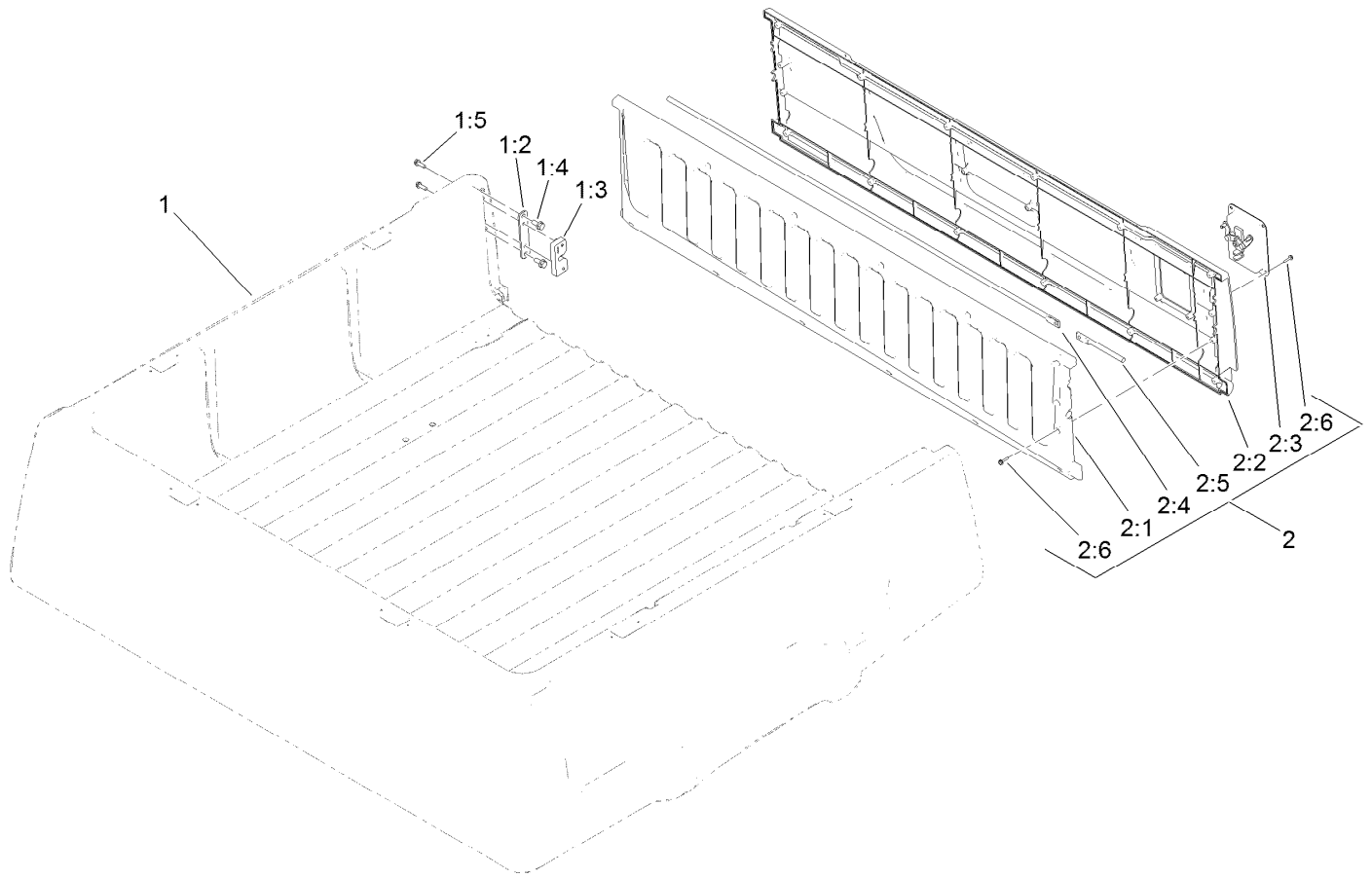
<i>Ref.</i>	<i>Part Number</i>	<i>Qty.</i>	<i>Description</i>	<i>Ref.</i>	<i>Part Number</i>	<i>Qty.</i>	<i>Description</i>
1	94-2135	1	Gasket	11	94-2217	1	Spacer-Shaft, Input
2	32144-10	3	Screw-HWH	12	1-613235	1	Washer
3	103118	1	Seal	13	98-3498	1	Screw-HH
4	99-7843	1	Sector-Gear	14	302-5	1	Fitting-Grease
5	3256-42	1	Washer-Flat	15	112-2918-03	1	Cover-Housing, Steering
6	251-82	2	Bearing-Ball	16	114-8309	1	Housing-Steering
7	112-2917	1	Spacer	18	115-7726	1	Gear-Pinion
8	104-6563	1	Washer-Stepped	19	99-7657	1	Seal-Oil
9	104-7156	1	Screw-HHF	20	112-3096-03	1	Arm-Pitman
10	38-7820	2	Bearing-Ball				



Cargo Bed Installation Assembly

Ref.	Part Number	Qty.	Description	Ref.	Part Number	Qty.	Description
1		1	Cargo Bed And Tailgate ASM ●	15	119-0914	2	Bolt-CARR
2	119-9627	2	Grip-Handle	16	99-7896	1	Bracket-U, Prop Rod
4	104-7213	1	Decal	17	119-0837	1	Latch ASM
5	3230-8	4	Screw-CARR	18	5-7290	2	Spring-Tension
6	119-0848-03	1	Bracket-Pivot	19	3230-7	2	Bolt-CARR
7	119-0835	2	Bushing-Pivot	20	104-7248	2	Pin-Latch
8	105-6245	4	Screw-Tapping	21	3296-29	2	Nut-Lock, NI
9	109-6795	4	Bolt-CARR	22	115-7739	1	Decal-No Riders
10	3290-357	4	Nut-HHF, Whiz	23	119-9450	2	Decal
11	119-0844	1	Rod-Prop	28	119-0849	2	Retainer-Tailgate
12	32128-20	6	Nut-HF	29	98-1375	4	Screw-HWH

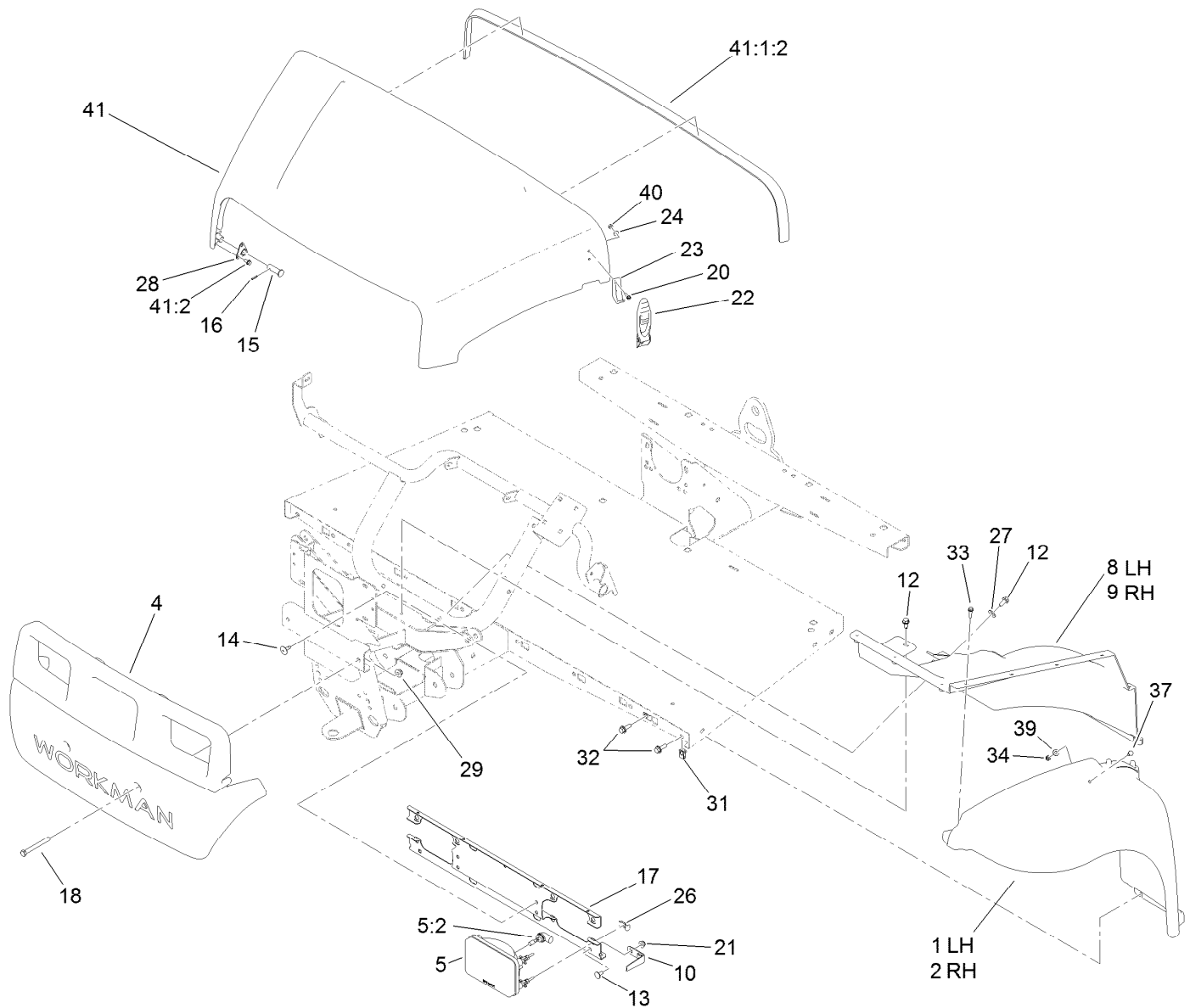
● Not serviced separately



Cargo Bed Service Assembly No. 119-9710

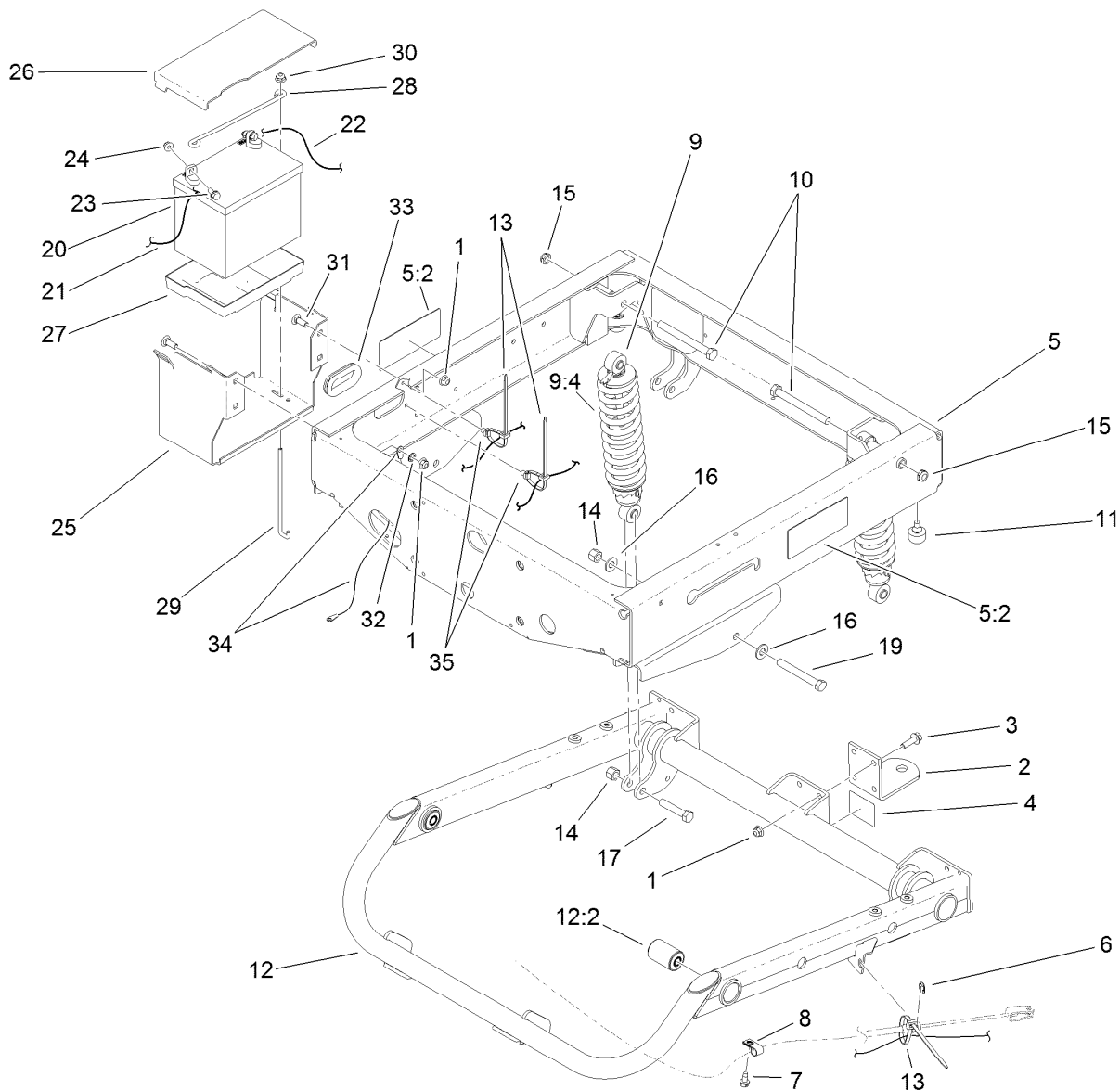
Ref.	Part Number	Qty.	Description
1		1	Cargo Bed W/ Strikes ●
1:2	119-0838	2	Mount-Striker
1:3	119-0892	2	Strike-Latch
1:4	3234-47	4	Screw-HHF
1:5	32105-15	4	Screw
2		1	Tailgate ASM ●
2:1	119-0839	1	Tailgate-Inner
2:2	119-0840	1	Tailgate-Outer
2:3	119-0891	1	Handle-Latch
2:4	119-0842	1	Rod-Latch, RH
2:5	119-0843	1	Rod-Latch, LH
2:6	98-1375	20	Screw-HWH

● Not serviced separately



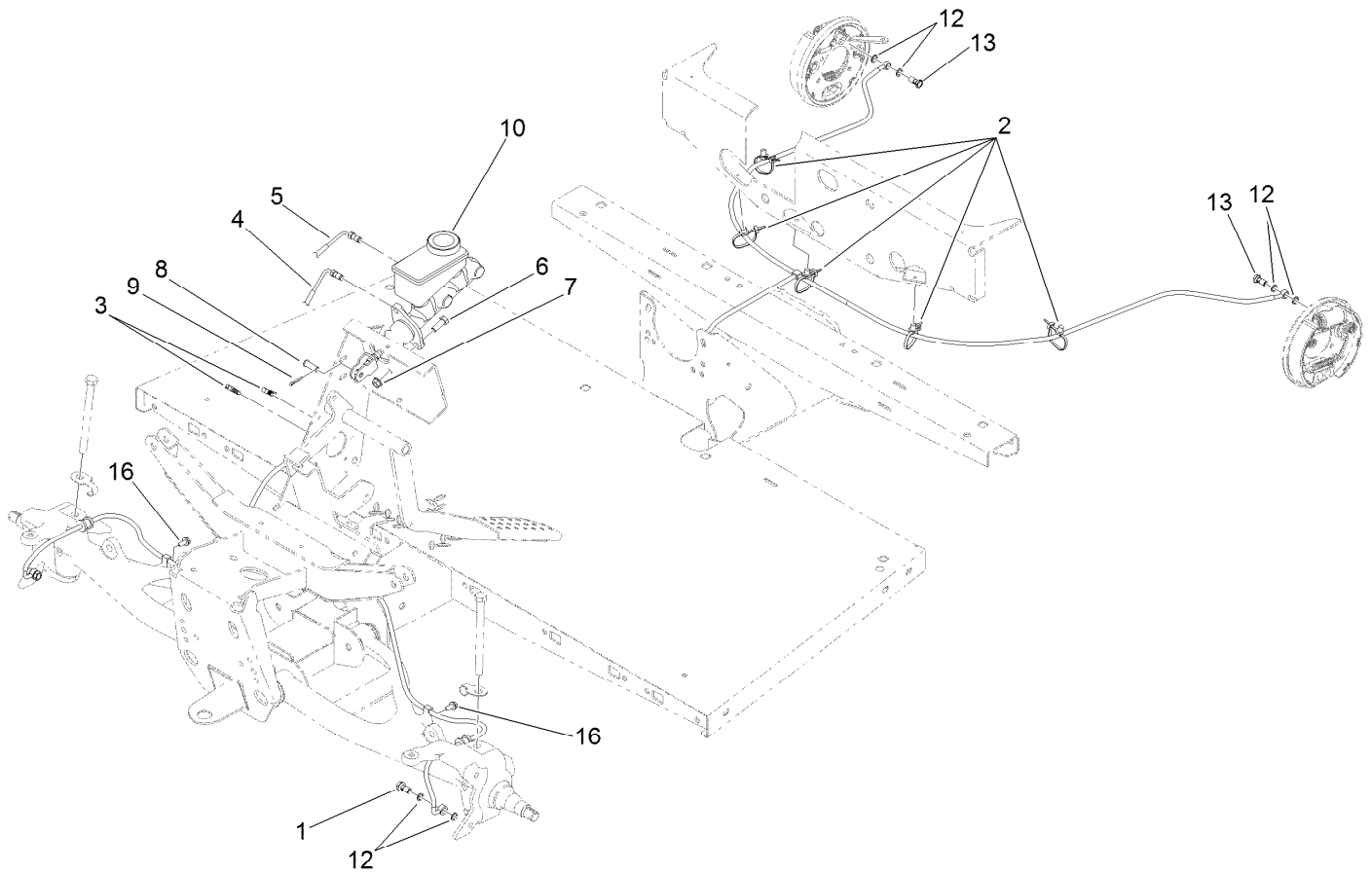
Hood and Fender Assembly

Ref.	Part Number	Qty.	Description	Ref.	Part Number	Qty.	Description
1	112-3371	1	Fender-LH	22	115-2416	2	Latch-Rubber
2	112-3370	1	Fender-RH	23	103-2897	2	Latch-Catch
4	112-3365	1	Bumper	24	3256-14	4	Washer-Flat
5	114-8322	2	Headlight	26	115-2408	6	Clip-Speed
5:2	115-2395	1	Light Bulb ASM	27	3256-71	2	Washer-Flat
8	112-3369	1	Well-Fender, LH	28	112-3308	2	Retainer-Pin
9	112-3368	1	Well-Fender, RH	29	104-8301	2	Nut-Flange, NI
10	112-3373	2	Keeper-Pivot, Hood	31	112-3306	10	Nut
12	32104-32	4	Screw-HWH	32	3234-29	10	Screw-HHF
13	3230-18	2	Screw-CARR	33	46-8091	20	Screw-HWH
14	146489	4	Rivet	34	3296-42	2	Nut-Lock, NI
15	117-5094	2	Pin-Clevis	37	321-39	2	Screw-HH
16	32121-50	2	Pin-Spring	39	3256-22	2	Washer-Flat
17	119-0841-03	1	Bracket-Headlight	40	3296-2	4	Nut-Lock, NI
18	115-7660	2	Screw-HHF	41	121-9606	1	Hood ASM
20	32105-13	4	Screw-HWH	41:1:2	115-7635	1	Seal-Foam
21	32128-20	2	Nut-HF	41:2	121-9605	6	Screw-HWH



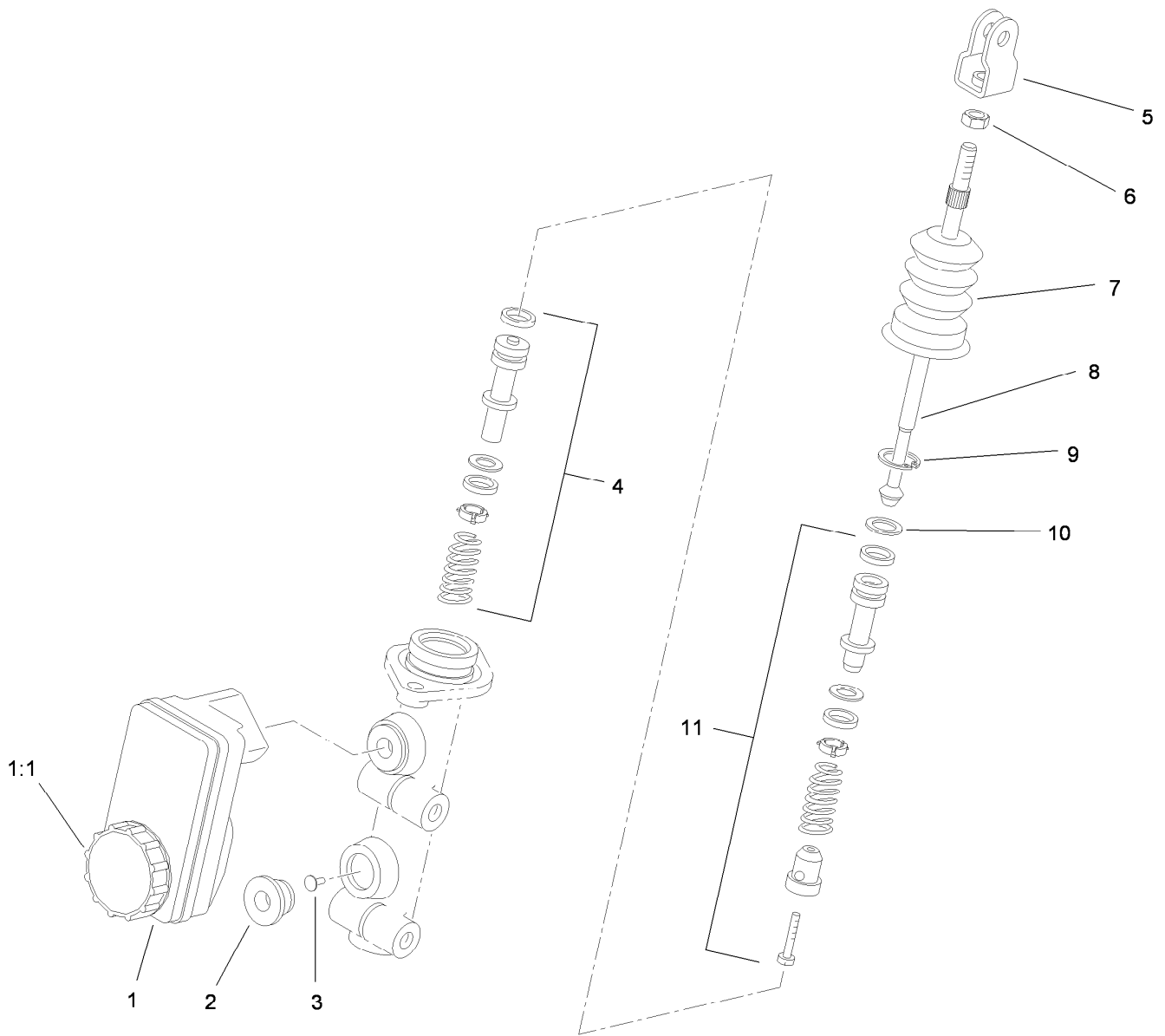
Frame Assembly

Ref.	Part Number	Qty.	Description	Ref.	Part Number	Qty.	Description
1	104-8301	8	Nut-Flange, NI	16	87-7270	4	Washer-Thrust
2	99-7654-03	1	Hitch-Duty, Light	17	325-10	2	Screw-HH
3	3234-24	4	Screw-HHF	19	325-17	2	Screw-HH
4	99-7350	1	Decal-Rating, Hitch (Light Duty)	20	104-8162	1	Battery
5	119-9628	1	Rear Frame Service ASM	21	115-8107	1	Cable-Battery, Negative
5:2	99-7345	2	Decal-Warning	22	114-9404	1	Cable-Battery, Positive
6	32120-47	2	Ring-Retaining, External	23	3234-5	2	Screw-HHF
7	32104-17	2	Screw-HWH	24	104-8300	2	Nut-Flange, NI
8	2412-89	2	Clamp-R	25	115-2302-03	1	Base-Battery
9	112-3168	2	Rear Shock/Spring ASM	26	115-2394	1	Cover-Battery
9:4	112-3386	1	Spring	27	106948	1	Tray-Battery
10	325-19	2	Screw-HH	28	100-6434	1	Rod-Hold Down, Battery
11	87-2440	2	Bumper-Rubber	29	100-6435	2	Post-Battery
12	115-7614	1	Swing Arm ASM	30	119-6897	2	Nut-Flange, Hex
12:2	112-3377	2	Bushing-Arm, Control	31	3231-22	4	Screw-CARR
13	3290-378	4	Tie-Cable	32	3254-6	1	Washer-Lock, Internal
14	3296-23	4	Nut-Lock, NI	33	240-12	1	Grommet
15	3296-45	2	Nut-Lock, NI	34	115-8108	1	Cable-Battery, Negative
				35	32180-030	2	Clip-Tie



Master Cylinder and Brake Line Assembly

Ref.	Part Number	Qty.	Description
1	120-4875	2	Bolt-Flange, Banjo
2	32180-030	5	Clip-Tie
3	114-8324	4	Clip-Line, Brake
4	119-9683	1	Front Brake Line ASM
5	112-2926	1	Rear Brake Line ASM
6	323-6	2	Screw-HH
7	3290-357	2	Nut-HHF, Whiz
8	283-2	1	Pin-Clevis
9	3272-10	1	Pin-Cotter
10	104-6782	1	Cylinder-Master
12	115-2341	8	Washer-Banjo
13	115-2340	2	Bolt-Banjo
16	32104-32	2	Screw-HWH



Master Cylinder Assembly No. 104-6782

Ref.	Part Number	Qty.	Description
1	104-6845	1	Reservoir ASM
1:1	92-4112	1	Cap ASM
2	93-8971	2	Seal-Port, Flange
3	92-4103	1	Pin-Stop
4	92-4102	1	Secondary Piston ASM
5	92-4110	1	Clevis
6	21-0360	1	Nut-Hex
7	94-5209	1	Cover-Dust
8	94-5210	1	Rod-Push
9	92-4109	1	Ring-Snap
10	92-4108	1	Retainer-Washer
11	92-4101	1	Primary Piston ASM

Attachments and Accessories

For 07273TC Workman MDX Utility Vehicle

Product Name	Model/Part
Roll-Over Protection System	07276
Receiver Hitch Kit	07278
Canopy Kit	07324
Solid Windshield Kit	07325
Folding Windshield Kit	07326
Snow Plow	07327
Hard Cab	07328
Heavy-Duty Bumper Kit	07329
Heavy-Duty Brush Guard and Bumper Kit	07338
Sliding Window Door Kit	07352
Fixed Window Door Kit	07353
Electric Bed Lift Kit, 2011 and After Workman MD/MDX/MDX-D Utility Vehicle	07381
Wheel-5 Bolt	104-6889
Tire-AT 489, 24x10.5-10	104-7061
Tire-AT 489, 22x9.5-10	104-7062
Lift Wire Harness Kit	115-7823
Backup Alarm Kit	115-7824
Replacement Front Spring Kit.....	117-4847
Tire And Wheel Asm	119-0751
Tapered Nozzle Kit, Pro Force Debris Blower	119-6280
Rectangular Nozzle Kit, Pro Force Debris Blower	119-6281
Nozzle-Extension, Straight	119-6282
Nozzle-Extension, Tapered.....	119-6283
Nozzle-Extension, Rectangular	119-6284
Key Start Kit, Workman MDX Utility Vehicle	119-9534
Side Mirror Kit	119-9546
Lanyard Kit, 2011 and After Workman MD Series Utility Vehicle.....	119-9590
Stake Pocket Adapter Kit, 2011 and After Workman MD Series Utility Vehicle.....	119-9604
Tie-Down Kit, 2011 and After Workman MD Series Utility Vehicle	119-9605
Bed Retrofit Kit, 2010 and Before Workman MD Series Utility Vehicle.....	119-9606
Battery Kit	119-9680
Road Light and Homologation Kit	120-5031
Brake and Signal Light Kit.....	120-5044
Pro Force Debris Blower.....	44538
Road-Ready Pro Force Debris Blower.....	44539
Bed Mount Kit, Pro Force Debris Blower.....	44543
Bed Mount Sound Barrier Kit, Pro Force Debris Blower	44546
Spark Arrestor Screen	94-8157

Notes:



Count on it.