



Count on it.

Parts Catalog

**Commercial Walk-Behind Mower
Floating Deck, T-Bar, Gear Drive with 36in
TURBO FORCE® Cutting Unit**

Model No. 39074—Serial No. 313000001 and Up



Ordering Replacement Parts

To order replacement parts, please supply the part number, the quantity, and the description of each part desired.

Understanding Reference Numbers

Each identified part in an illustration has a reference number. The reference number for a part also appears in the parts list, along with other information about the part.

This catalog uses two special reference number formats, one to indicate parts in a service assembly and another to indicate the quantity of a given part in an illustration.

Service Assembly Reference Numbers

Parts in service assemblies have reference numbers in the form a:b. The a represents the reference number of the entire service assembly and the b represents a sequential number unique to each part within the service assembly.

For example, a wheel assembly might be identified by reference number 6, the tire by 6:1, the valve by 6:2, and the wheel by 6:3. When you order the assembly identified by reference number 6, you receive all parts identified by reference numbers 6:1, 6:2, and 6:3. However, you may also order any part individually. Reference numbers of this type appear in illustration and in parts lists.

Reference Numbers Indicating Quantity

In an illustration, if a reference number indicates more than one part, the reference number has the form nX y. The n represents the quantity of the part, the X is the multiplication symbol, and the y represents the reference number.

For example, in an illustration, the reference number 2X 37 means that two of the parts identified by reference number 37 are indicated.

List of Abbreviations

AR: as required

ASM: assembly

BBC: blade brake control

BHTF: button head thread forming

CARR: carriage

CCW: counter clockwise

CW: clockwise

DEG: degrees

DPA: Dual Point Adjustment

ECM: electronic control module

EXT: external

FH: flat head

GA: gauge

HD: heavy-duty

HF: hex flange

HH: hex head

HHF: hex head flange

HHFTF: hex head flange thread forming

HJ: hex jam

HLH: hex lag head

HOC: height-of-cut

HSBH: hex socket button head

HSFH: hex socket flat head

HSH: hex socket head

HWH: hex washer head

HWHTF: hex washer head thread forming

HYD: hydraulic

LH: left hand

LP: Liquefied Petroleum Gas

LPG: Liquefied Petroleum Gas

NI: nylon insert

NPTF: national pipe thread fine

PFH: phillips flat head

PPH: phillips pan head

PPHTF: phillips pan head thread forming

PRH: phillips round head

PTH: phillips truss head

PTO: power-take-off

RH: right hand

ROPS: roll-over protection system

RRB: rear roller brush

SFH: slotted fillister head

SHH: slotted hex head

SHWH: slotted hex washer head

SPH: slotted pan head

SQH: square head

SRH: slotted round head

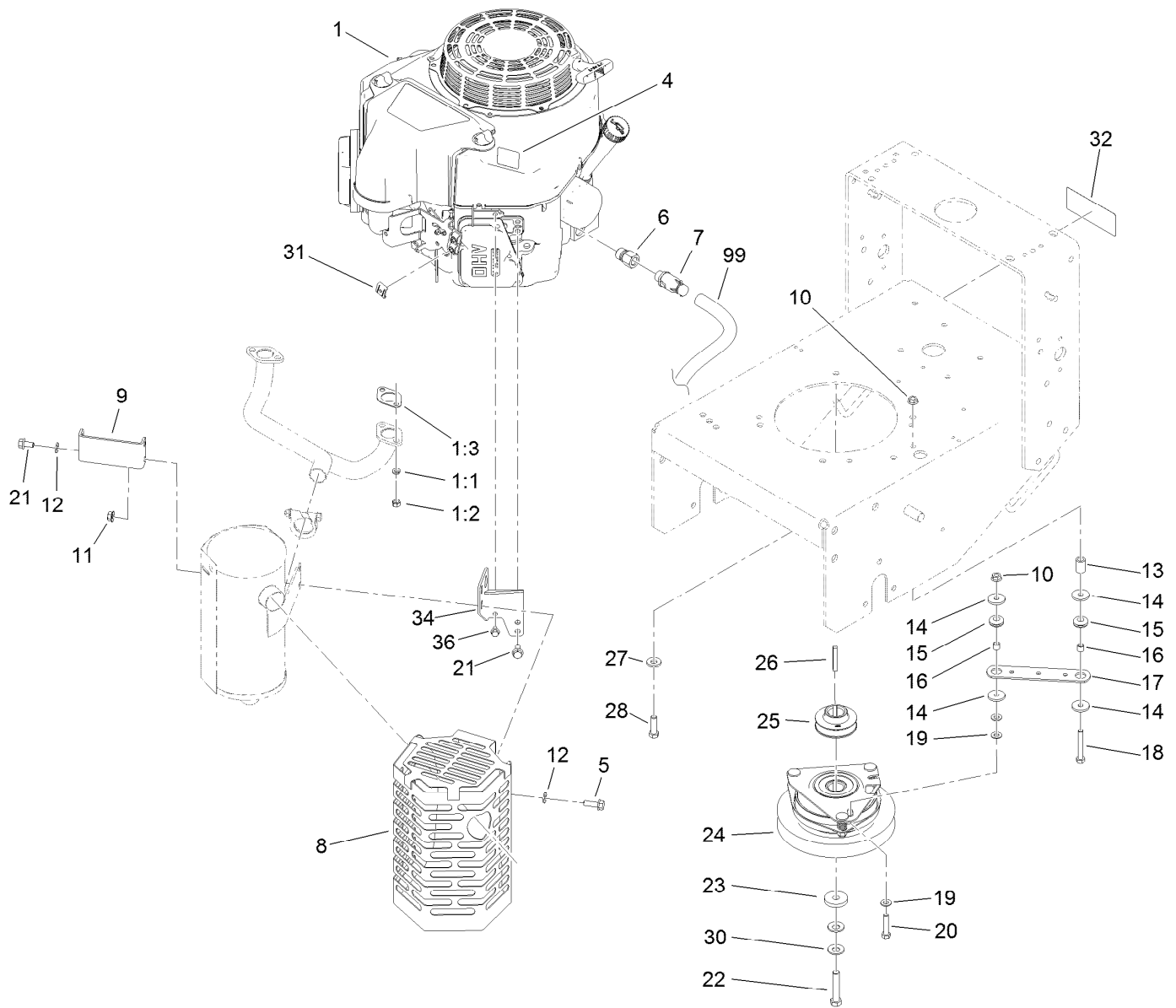
STD: standard

TAP: self tapping

TTH: torx truss head

Contents

Engine and Clutch Assembly	4
Power-Take-Off Idler and Weight Assembly	5
Fuel System Assembly	6
Lower Control Assembly	7
Transmission Drive Assembly	8
Wheel Drive and Brake Assembly	9
Handle Assembly	10
Control Panel Assembly	11
Carrier Frame Assembly	12
Deck Drive and Baffle Assembly	13
Deck Decal Assembly No. 112-7080	14
Spindle Assembly No. 110-0730	15
Spindle Assembly No. 110-0728	16
Outer Deck Assembly	17
Deflector Assembly No. 110-0790	18
Attachments and Accessories	19

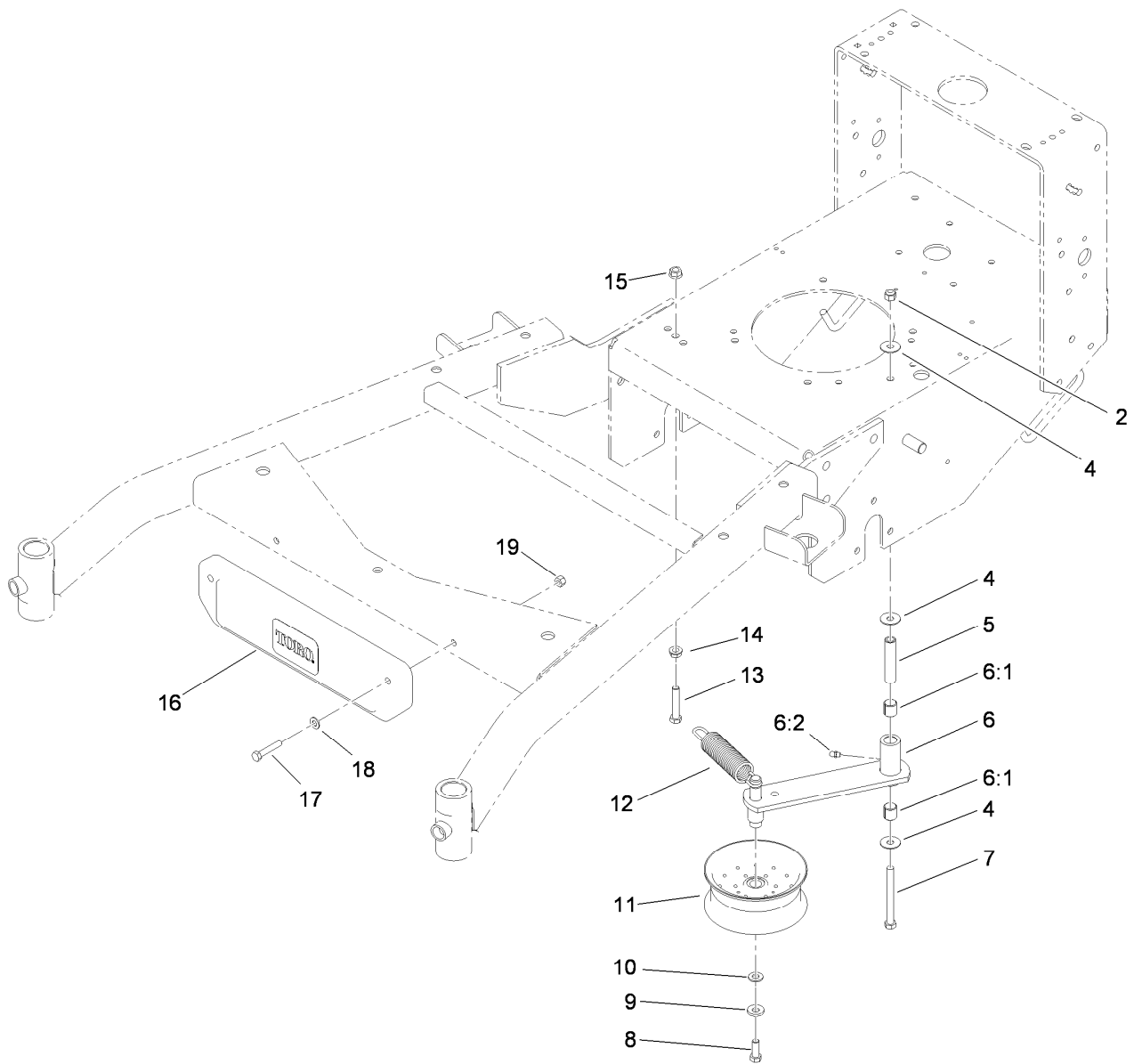


Engine and Clutch Assembly

Ref.	Part Number	Qty.	Description	Ref.	Part Number	Qty.	Description
1		1	Engine-Kawasaki, Fs481V ● ■	17	1-633543-03	1	Strap-Clutch, Brake
1:1	114-3550	4	Washer-Lock, Spring	18	322-11	1	Screw-HH
1:2	114-3549	4	Nut	19	3256-23	3	Washer-Flat
1:3	1-653313	2	Gasket-Exhaust	20	322-7	1	Screw-HH
4	106-0699	1	Decal-Warning	21	33104-016	2	Screw-HHF
5	33104-025	4	Screw-HHF	22	3212-9	1	Screw-HH
6	103-1966	1	Adapter	23	107-4136	1	Washer
7	120-4321	1	Valve-Drain, Oil	24	105-2635	1	Clutch / Brake ASM
8	119-3629-03	1	Shield-Muffler	25	107-4112	1	Pulley-Drive
9	119-3635-03	1	Bracket-Shield, Muffler	26	608006	1	Key-Square
10	32128-20	2	Nut-HF	27	98-5975	4	Washer-Belleville
11	117-1350	4	Nut-HF, Lock	28	323-7	4	Screw-HH
12	1-303334	4	Washer-Spring	30	1-603610	2	Washer-Spring
13	104-6373	1	Tube-Retainer	31	81-1690	1	Clamp-Cable
14	1-613235	4	Washer	32	98-0776	1	Decal-Caution
15	1-633630	2	Grommet	34	117-8561-03	1	Bracket-Muffler
16	1-633545	2	Spacer	36	33103-012	1	Screw-HHF
				99	103-1964	1	Hose-Drain, Oil

● Not serviced separately

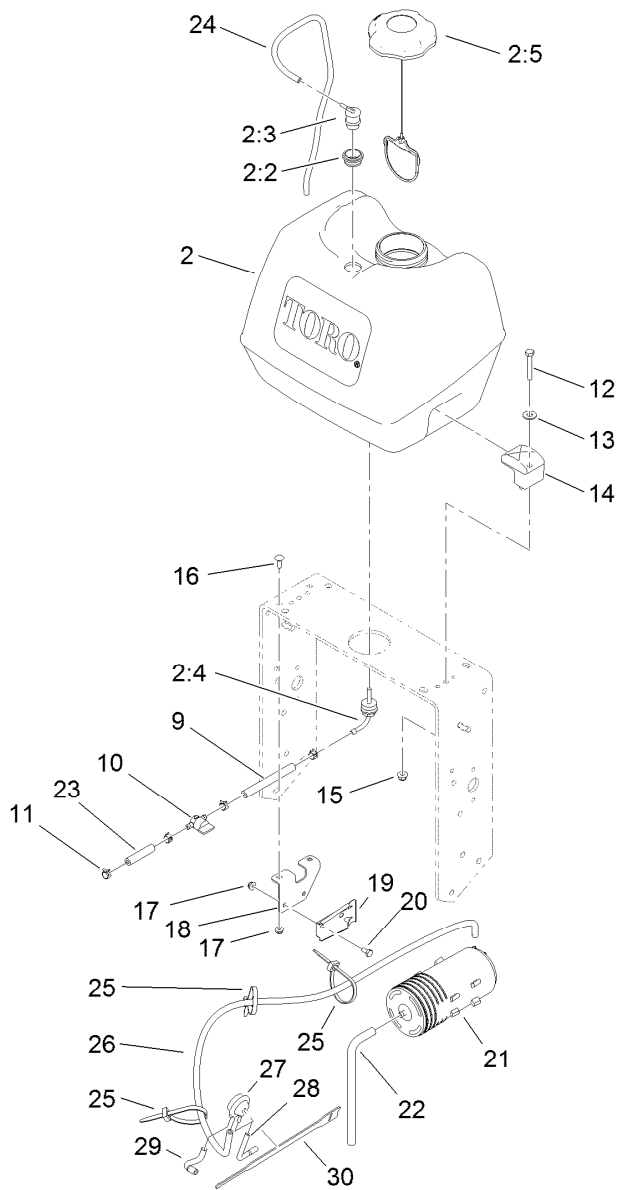
■ Obtain parts from www.kawpowerpc.com



Power-Take-Off Idler and Weight Assembly

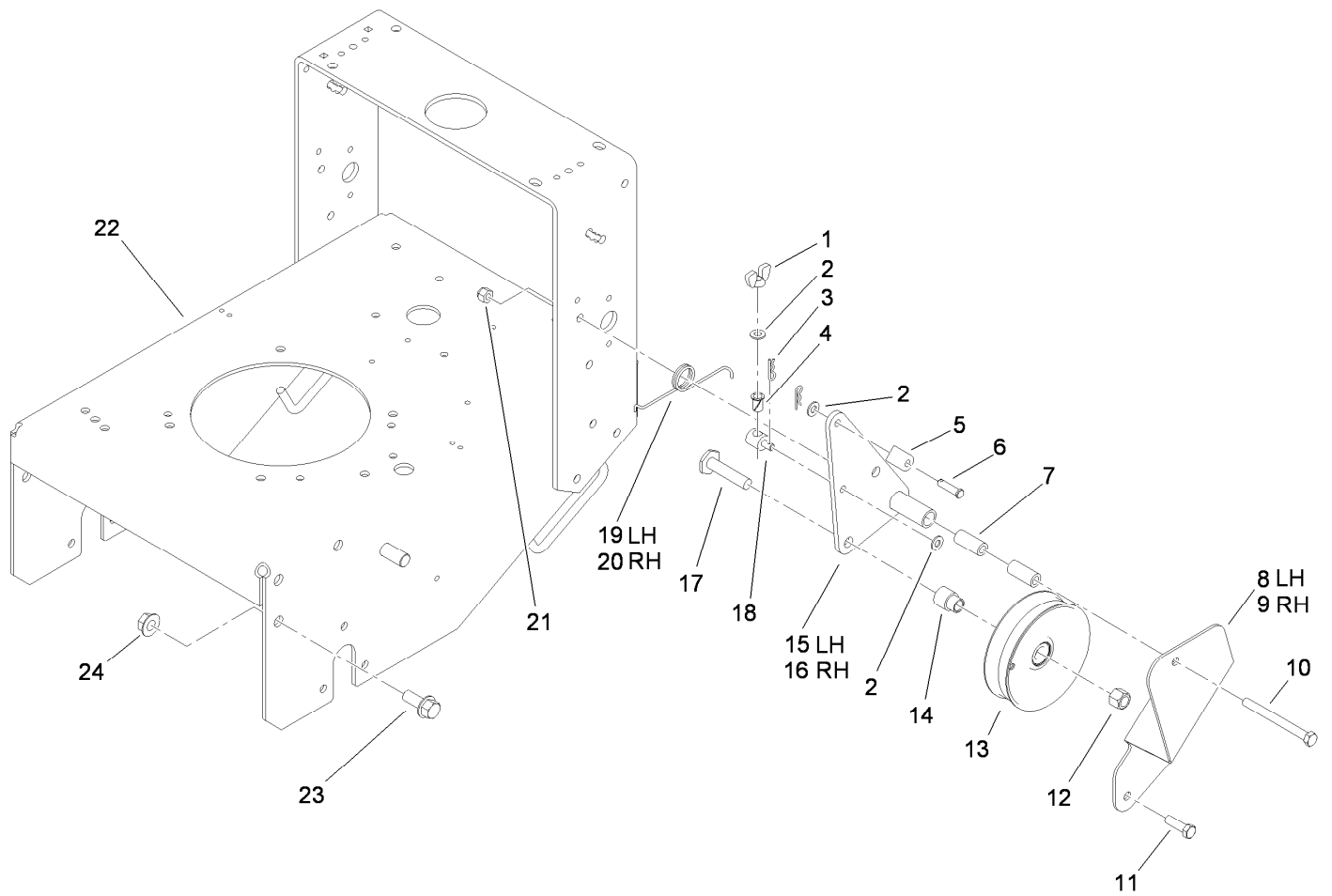
Ref.	Part Number	Qty.	Description
2	3296-39	1	Nut-Lock, NI
4	52-2860	3	Washer
5	104-6377	1	Tube-Idler
6	112-7055	1	Idler Arm ASM
6:1	1-513034	2	Sleeve-Bearing
6:2	302-5	1	Fitting-Grease
7	323-42	1	Screw-HH
8	323-6	1	Screw-HH
9	98-5975	1	Washer-Belleville
10	3256-24	1	Washer-Flat

Ref.	Part Number	Qty.	Description
11	116-4666	1	Idler-Pulley, Flat
12	105-8443	1	Spring-Extension
13	323-10	1	Screw-HH
14	3290-357	1	Nut-HHF, Whiz
15	32128-21	1	Nut-HF
16	112-7059-01	1	Weight-Cast
17	322-9	2	Screw-HH
18	3256-23	2	Washer-Flat
19	3296-29	2	Nut-Lock, NI



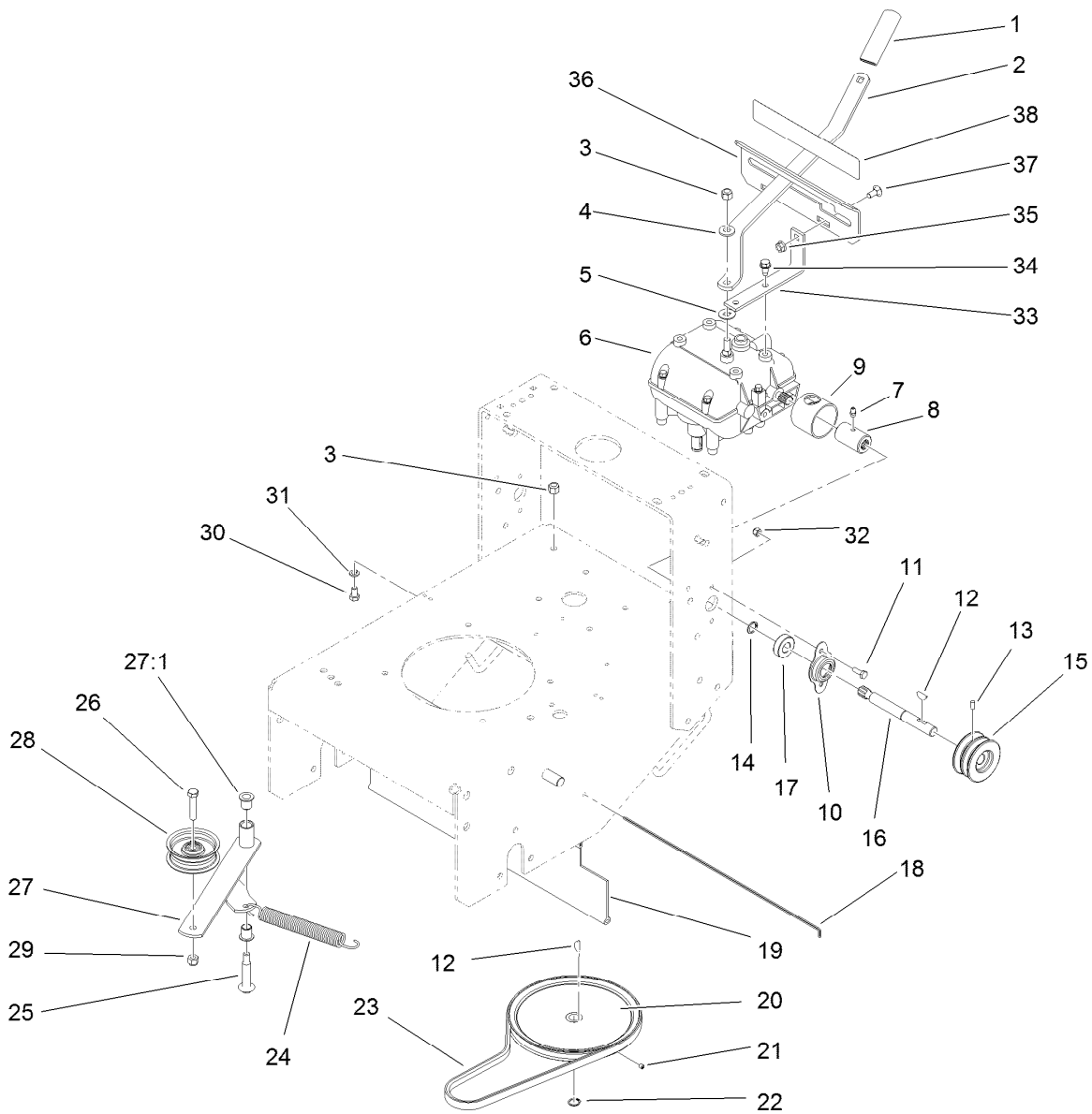
Fuel System Assembly

<i>Ref.</i>	<i>Part Number</i>	<i>Qty.</i>	<i>Description</i>	<i>Ref.</i>	<i>Part Number</i>	<i>Qty.</i>	<i>Description</i>
2	119-7899	1	Fuel Tank ASM	18	115-4486-01	1	Bracket-Canister, Carbon
2:2	114-0284	1	Grommet	19	114-0292	1	Bracket-Canister, Carbon
2:3	114-0285	1	Valve-Rollover	20	321-2	2	Screw-HH
2:4	103-2605	1	Fitting-Fuel, Bulkhead	21	117-1221	1	Canister-Carbon, 800Cc
2:5	120-5461	1	Cap-Fuel, Ratcheting	22	115-0962	1	Hose-Vent, Canister
9	109-0650	1	Hose-Fuel	23	99-9415	1	Hose-Fuel
10	1-603770	1	Valve-Fuel	24	114-0286	1	Hose-Vent
11	2412-98	4	Clamp-Hose	25	3290-378	3	Tie-Cable
12	322-10	2	Screw-HH	26	116-2231	1	Hose-Vent, Formed
13	3256-3	2	Washer-Flat	27	116-2232	1	Valve-Control, Vacuum
14	107-4543	2	Clamp	28	119-8501	1	Hose-Vent, Formed
15	104-8300	2	Nut-Flange, NI	29	119-8502	1	Hose-Vent, Formed
16	3229-1	2	Bolt-CARR	30	116-2469	1	Strap-Velcro, Cable Tie
17	104-7201	4	Nut-HF				



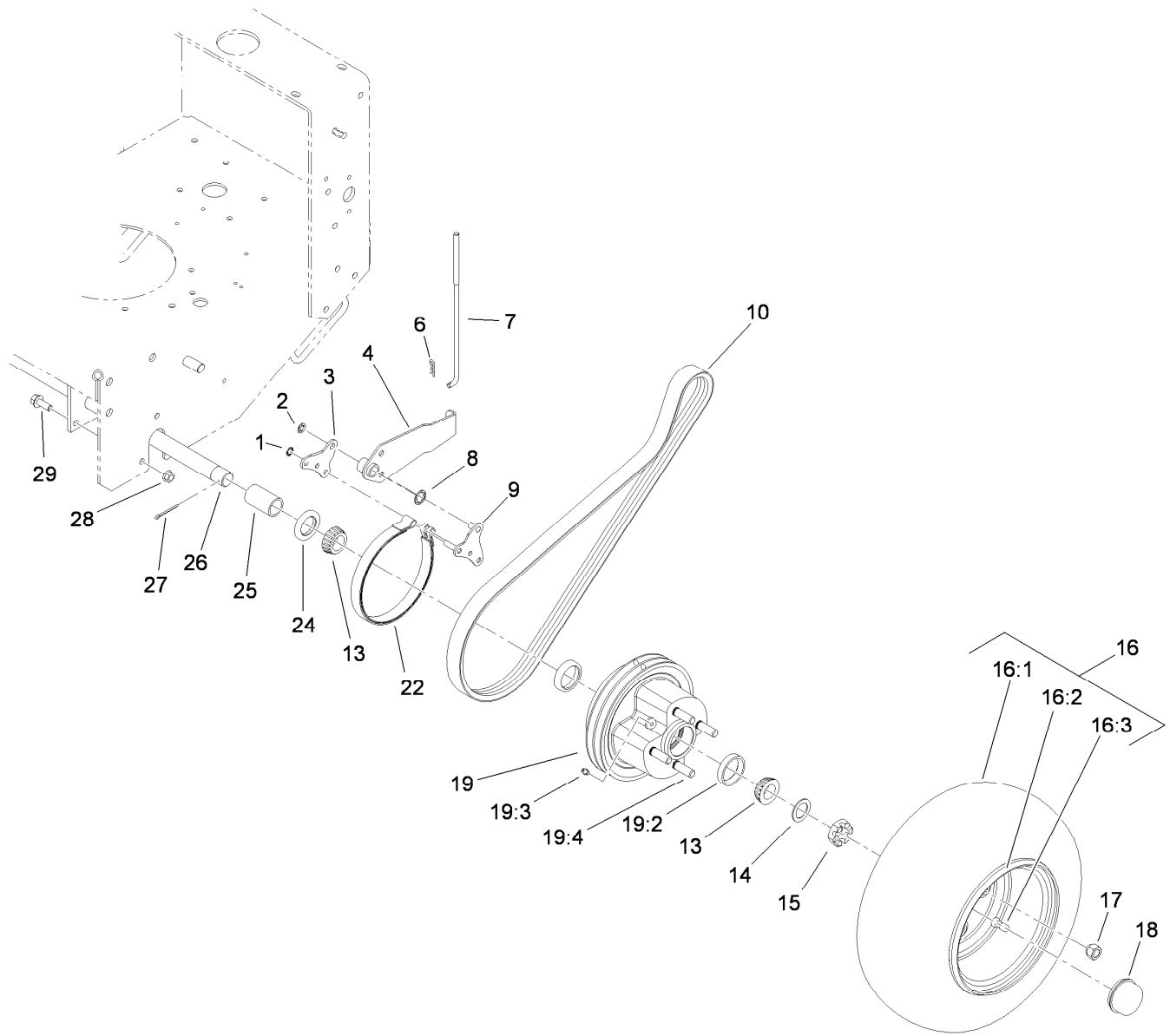
Lower Control Assembly

<i>Ref.</i>	<i>Part Number</i>	<i>Qty.</i>	<i>Description</i>	<i>Ref.</i>	<i>Part Number</i>	<i>Qty.</i>	<i>Description</i>
1	32103-25	2	Nut-Wing	13	95-2800	2	Pulley-Idler
2	3256-23	6	Washer-Flat	14	95-2801	2	Spacer-Pulley
3	3290-307	4	Pin-Hair	15	108-2740-01	1	Arm-Idler, LH
4	52-2890	2	Bushing-Nylon	16	108-2741-01	1	Arm-Idler, RH
5	74-0521	2	Fitting-Rod	17	51-4450	2	Screw-Leveler
6	283-6	2	Pin-Clevis	18	68-9690	2	Fitting-Rod
7	74-0040	4	Spacer-Pivot, Idler	19	51-4380	1	Spring-Torsion, LH
8	108-2725-01	1	Support-Idler, LH	20	51-4370	1	Spring-Torsion, RH
9	108-2724-01	1	Support-Idler, RH	21	3296-39	6	Nut-Lock, NI
10	323-16	2	Screw-HH	22	117-3525-01	1	Frame-Gear
11	323-7	4	Screw-HH	23	3234-32	6	Screw-HHF
12	3296-23	2	Nut-Lock, NI	24	32128-23	6	Nut-HF



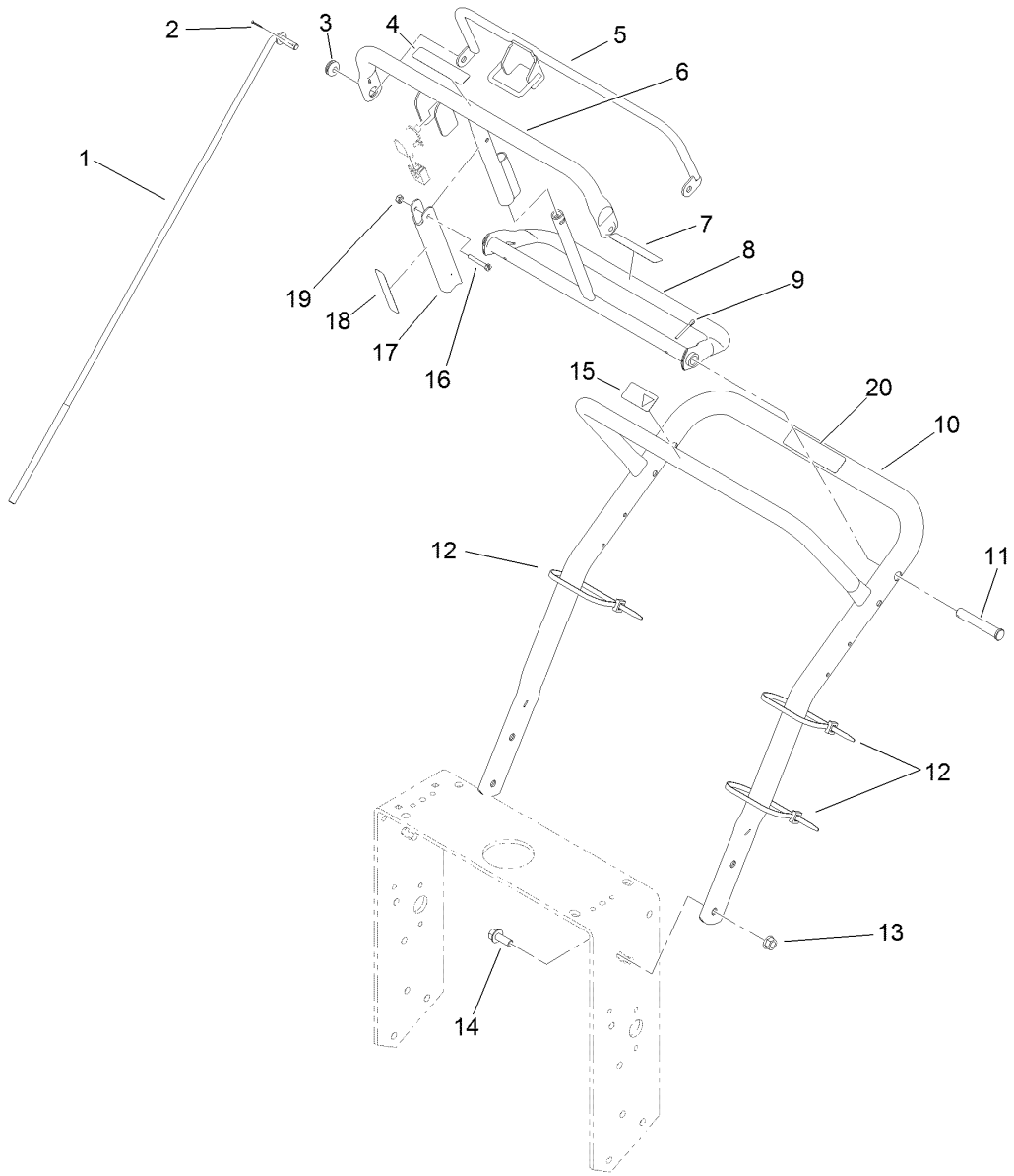
Transmission Drive Assembly

<i>Ref.</i>	<i>Part Number</i>	<i>Qty.</i>	<i>Description</i>	<i>Ref.</i>	<i>Part Number</i>	<i>Qty.</i>	<i>Description</i>
1	47-1970	1	Grip	21	3245-41	1	Screw-HSH
2	98-3274-03	1	Lever-Shift	22	32120-64	1	Ring-Snap, External
3	3296-6	2	Nut-Lock	23	105-5668	1	V-Belt
4	98-5975	1	Washer-Belleville	24	80-6610	1	Spring-Extension
5	1-323379	1	Washer	25	27-6230	1	Bolt-Wheel
6	1-323500	1	Transmission	26	323-9	1	Screw-HH
7	302-5	2	Fitting-Grease	27	16-7509	1	Lever-Idler
8	1-323680	2	Coupler	27:1	256-155	2	Bushing-Flange
9	51-4220	2	Guard-Coupler	28	62-4540	1	Pulley
10	1-323254	2	Flange-Output	29	3296-39	1	Nut-Lock, NI
11	321-4	4	Screw-HH	30	322-2	4	Screw-HH
12	3257-5	3	Key-Woodruff	31	3253-4	4	Washer-Lock
13	121-5989	2	Screw-Set, HSH	32	3296-42	4	Nut-Lock, NI
14	32151-62	2	Ring-Retaining	33	1-323389-03	2	Bracket-Plate, Shift
15	105-2698	2	Pulley-Transmission	34	32144-11	4	Screw-HWHTF
16	104-1102	2	Shaft-Output	35	104-8300	2	Nut-Flange, NI
17	1-323252	2	Bearing-Shaft	36	1-323387-03	1	Plate-Shift
18	95-1529	1	Rod-Shield	37	3230-1	2	Bolt-CARR
19	95-1526	1	Shield-Trailing	38	98-3256	1	Decal-Speed, Ground
20	105-5646	1	Pulley-Driven				



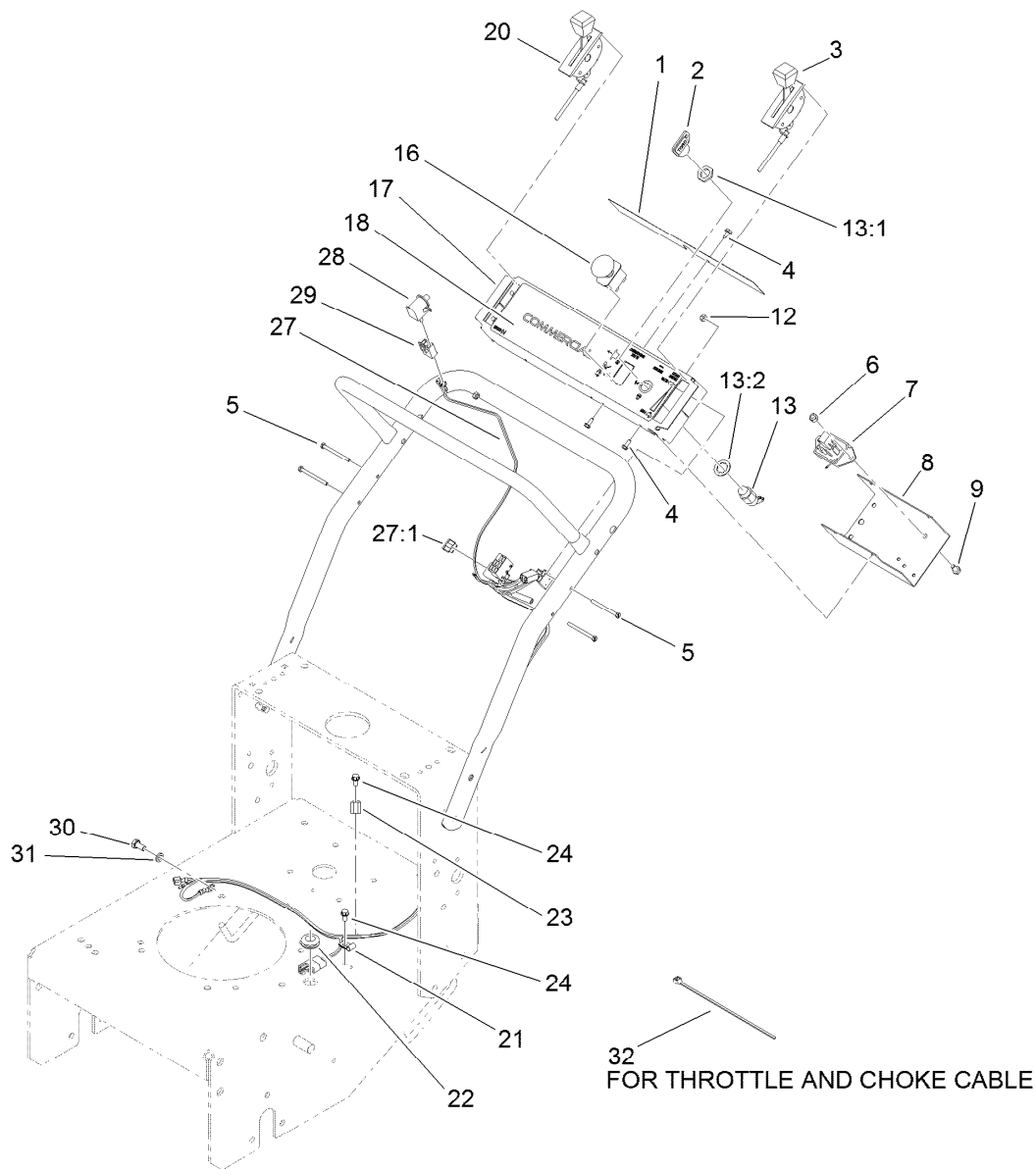
Wheel Drive and Brake Assembly

Ref.	Part Number	Qty.	Description	Ref.	Part Number	Qty.	Description
1	32151-72	4	Ring-Retaining	16:3	232-27	1	Stem-Valve
2	32151-56	2	Ring-Retaining, External	17	242-50	8	Nut-Lug
3	106-8792	2	Plate-Link, Brake	18	241-119	2	Cap-Dust
4	110-5010-01	2	Arm-Brake	19	107-4090	2	Wheel Hub ASM
6	3290-307	2	Pin-Hair	19:2	1-543508	2	Cup-Bearing
7	108-2730	2	Rod-Brake	19:3	302-5	1	Fitting-Grease
8	32151-40	2	Ring-Retaining	19:4	10-6830	4	Stud-Type, Drive
9	106-8773	2	Brake Link ASM	22	1-323262	2	Band-Brake
10	110-5004	2	Belt-V, Banded	24	1-543511	2	Seal-Grease
13	1-543509	4	Bearing-Roller, Tapered	25	110-5006	2	Spacer-Wheel
14	1-523157	2	Washer-Spacer	26	110-4983-01	1	Axle
15	1-809082	2	Nut-SHH	27	1-806800	2	Pin-Cotter
16	106-0892	2	Wheel And Tire ASM	28	32128-21	6	Nut-HF
16:1	104-6322	1	Tire	29	3234-11	6	Screw-HHF
16:2	106-0893	1	Wheel				



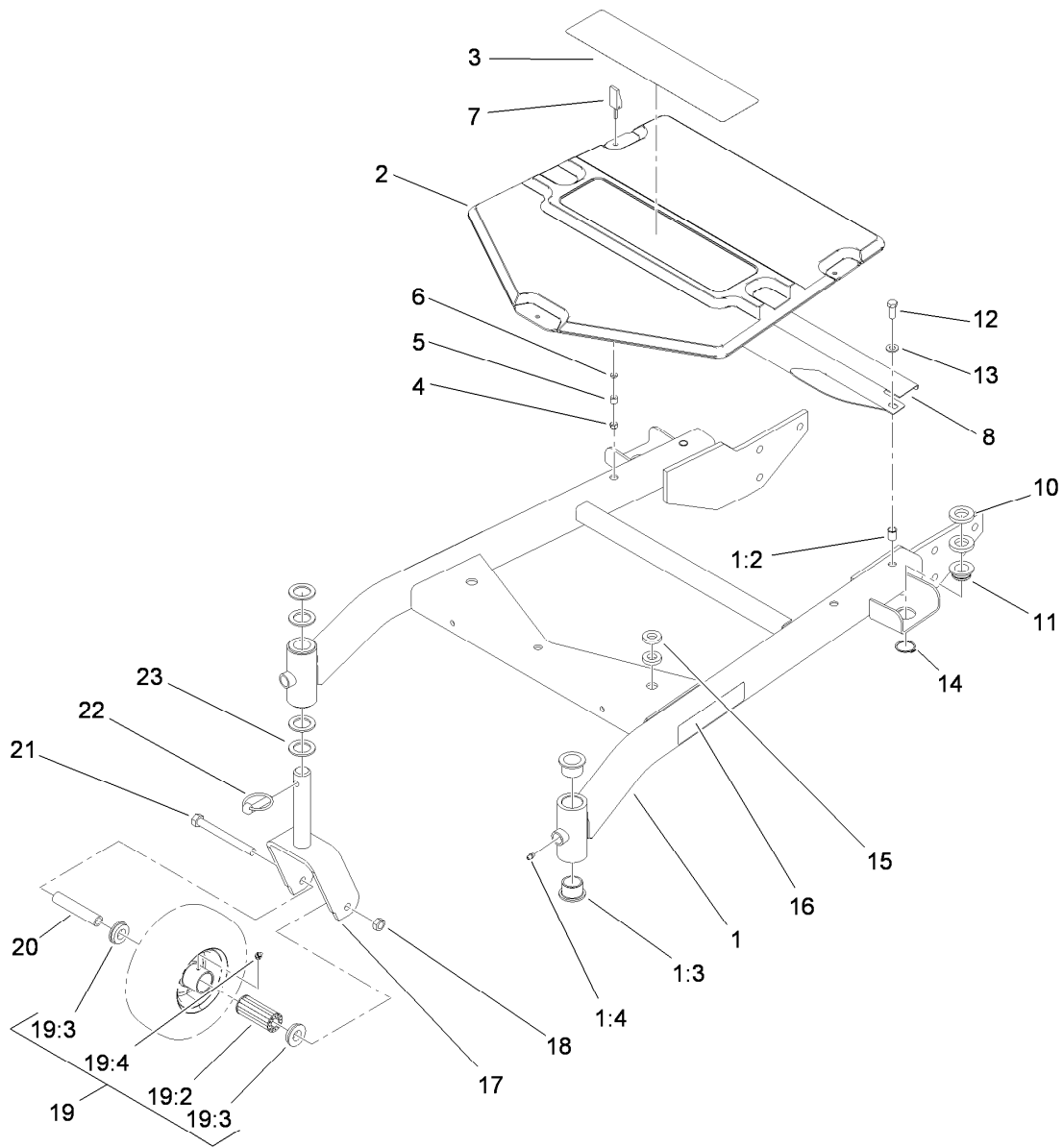
Handle Assembly

<i>Ref.</i>	<i>Part Number</i>	<i>Qty.</i>	<i>Description</i>	<i>Ref.</i>	<i>Part Number</i>	<i>Qty.</i>	<i>Description</i>
1	105-4677	2	Rod-Control	11	283-55	2	Pin-Clevis
2	3272-4	2	Pin-Cotter	12	3290-378	3	Tie-Cable
3	237-141	2	Grommet-Rubber	13	32128-21	4	Nut-HF
4	82-2290	1	Decal	14	3234-11	4	Screw-HHF
5	82-7680-03	1	Bail	15	98-4387	1	Decal-Protection, Ear
6	82-7690-03	1	Bar-Control	16	32105-1	1	Screw-SHH
7	82-2280	1	Decal	17	51-4850-03	1	Lever-Brake, Parking
8	106-5477-03	1	Pivot-Control	18	52-2010	1	Decal-Lever, Parking
9	3272-11	2	Pin-Cotter	19	3296-2	1	Nut-Lock, NI
10	105-3158-03	1	Handle-Upper	20	117-2718	1	Decal-Spark Arrester



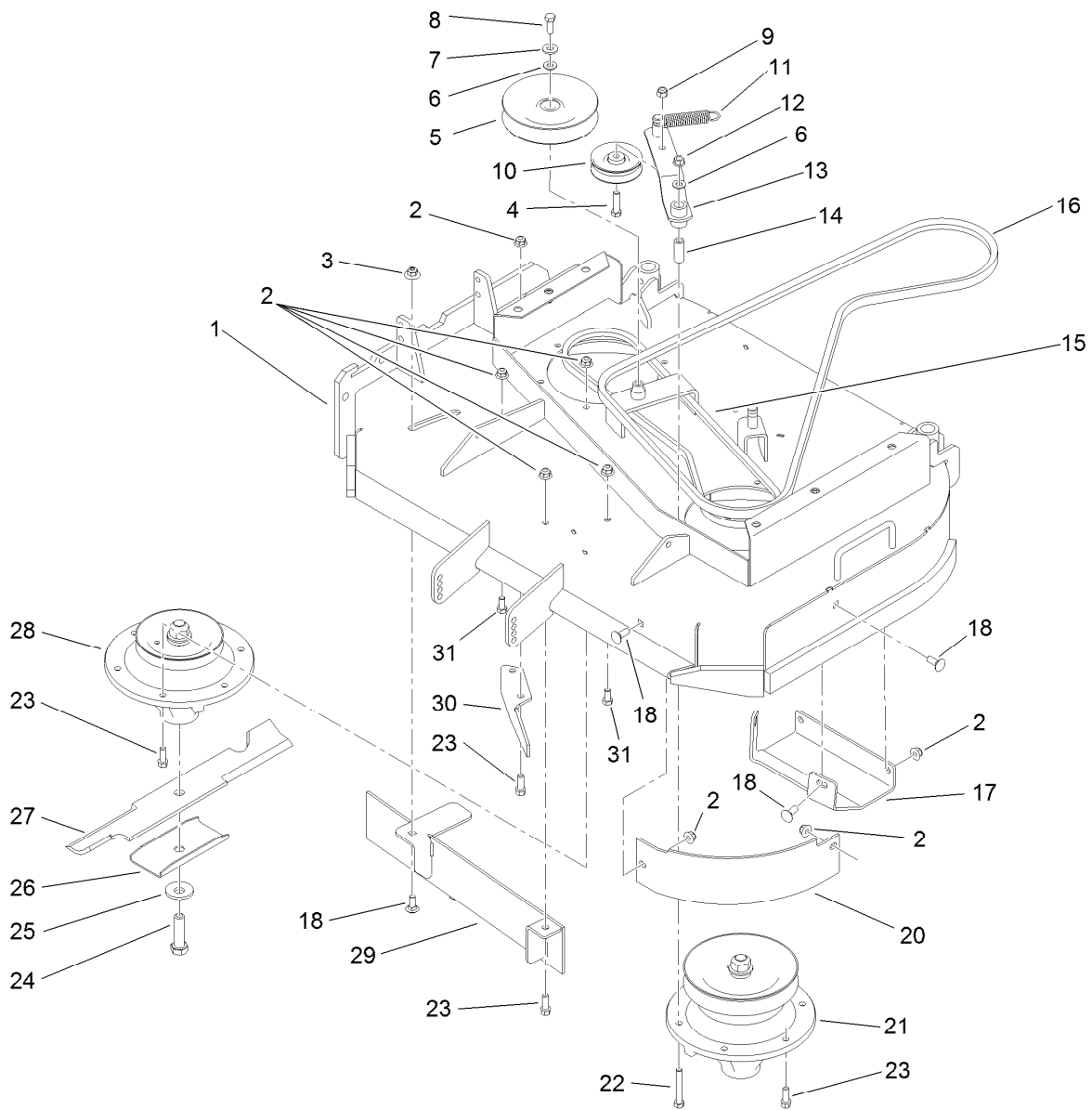
Control Panel Assembly

Ref.	Part Number	Qty.	Description	Ref.	Part Number	Qty.	Description
1	105-0884	1	Decal-Danger	17	110-4982-03	1	Panel-Control
2	63-8360	1	Key-Ignition (W/Shield)	18	110-4971	1	Decal-Panel, Control
3	119-6539	1	Cable-Throttle	20	110-4995	1	Cable-Choke
4	32104-76	4	Screw-Thd Cutting, HWH	21	2412-72	1	Clip-Closed, Insulated
5	32105-14	4	Screw-SHH	22	112-7069	1	Grommet
6	3296-42	1	Nut-Lock, NI	23	2412-134	1	Clamp-R
7	104-8141	1	Module-Delay	24	32144-4	2	Screw-HWH
8	93-1187-03	1	Panel-Bottom	27	119-6508	1	Harness-Wire
9	321-2	1	Screw-HH	27:1	114241	1	Fuse-Blade, 7.5 Amp
12	3296-2	4	Nut-Lock, NI	28	82-2190	1	Switch-Bail
13	29-5560	1	Switch-On / Off	29	218-595	1	Connector-Body
13:1	218-461	1	Nut-HH	30	33114-016	1	Screw-HH
13:2	3254-5	1	Washer-Tooth, Internal	31	3253-4	1	Washer-Lock
16	104-8140	1	Switch-PTO	32	1-303287	1	Tie-Cable



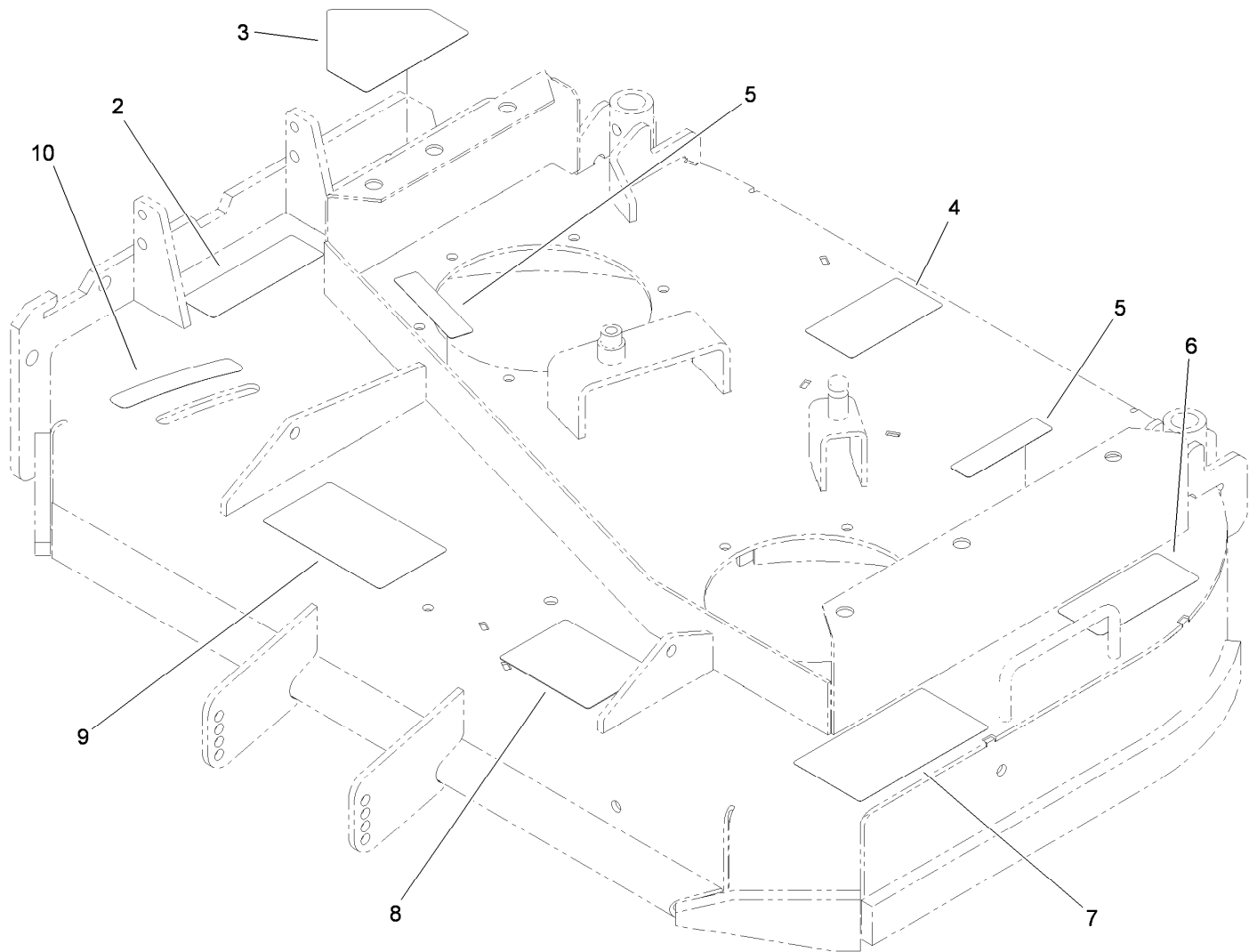
Carrier Frame Assembly

<i>Ref.</i>	<i>Part Number</i>	<i>Qty.</i>	<i>Description</i>	<i>Ref.</i>	<i>Part Number</i>	<i>Qty.</i>	<i>Description</i>
1	110-6960	1	Carrier Frame ASM	13	3256-24	2	Washer-Flat
1:2	32148-9	2	Insert-Nut	14	32120-33	2	Ring-Retaining
1:3	94-1291	4	Bushing	15	1-323539	4	Spacer
1:4	302-5	2	Fitting-Grease	16	106-0635	2	Decal-HOC
2	110-6970	1	Cover-Frame, Carrier	17	105-3159-01	2	Fork-Castor
3	112-9710	1	Decal	18	32153-5	2	Nut-Hex
4	1-804254	3	Nut-Lock, HH	19	110-5024	2	Wheel And Tire ASM
5	106-6778	3	Bushing-Latch, Swell	19:2	112-7066	1	Bearing-Roller
6	99-3058	3	Washer	19:3	1-513810	2	Bushing
7	106-6777	3	Handle-Latch, Swell	19:4	302-61	1	Fitting-Grease
8	119-7858-01	1	Shield-Belt	20	100-6453	2	Bushing-Spanner
10	104-1105	4	Spacer-Support, Deck	21	325-19	2	Screw-HH
11	1-513336	2	Bushing-Deck	22	283-71	2	Pin-Lynch
12	323-6	2	Screw-HH	23	3-6781	8	Washer-Thrust



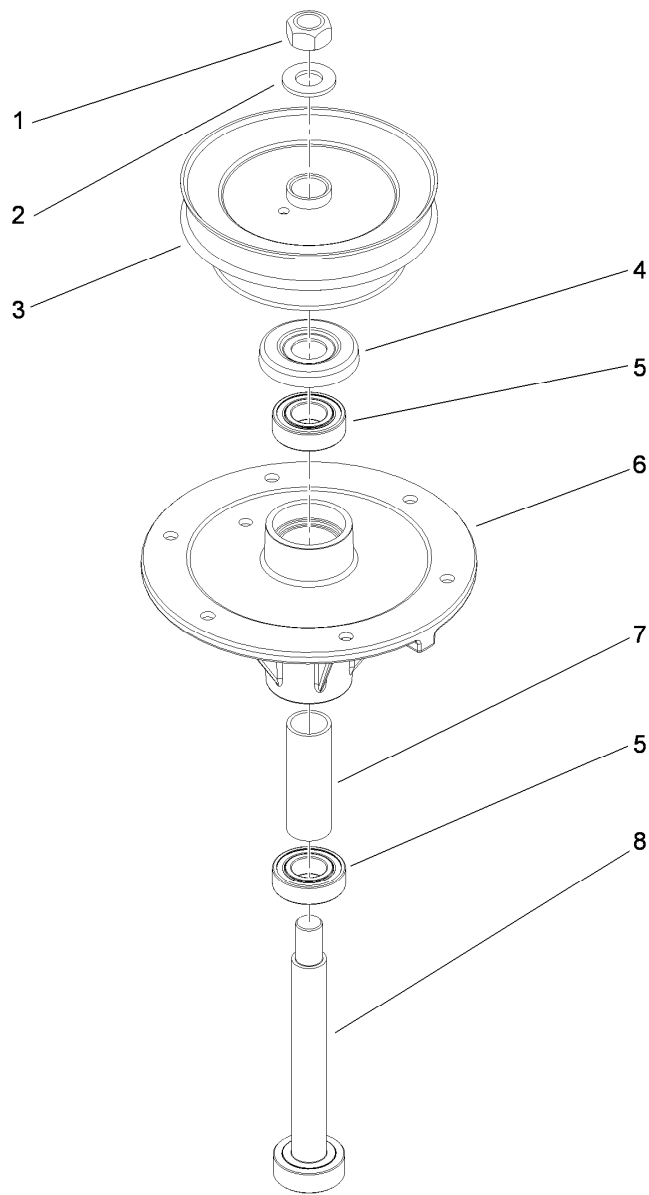
Deck Drive and Baffle Assembly

<i>Ref.</i>	<i>Part Number</i>	<i>Qty.</i>	<i>Description</i>	<i>Ref.</i>	<i>Part Number</i>	<i>Qty.</i>	<i>Description</i>
1	112-7080	1	Deck ASM	16	110-6954	1	Belt-V
2	104-8301	22	Nut-Flange, NI	17	110-2037-01	1	Plate-Skid
3	109-6658	1	Nut-Flange, NI	18	3231-2	7	Bolt-CARR
4	323-8	1	Screw-HH	20	110-6903-03	1	Baffle-Front, LH
5	1-633166	1	Pulley-Idler	21	110-0730	1	Spindle ASM
6	3256-24	2	Washer-Flat	22	323-12	1	Screw-HH
7	98-5975	1	Washer-Belleville	23	92-1624	14	Screw-HWH
8	323-6	1	Screw-HH	24	51-4060	2	Screw-Blade
9	3296-39	1	Nut-Lock, NI	25	103-0865	2	Washer-Blade Bolt, Heavy
10	51-3660	1	Pulley-Idler	26	108-2727	2	Stiffener-Blade
11	105-2673	1	Spring-Extension	27	105-7781-03	2	Blade-18 Inch, Hi Flow
12	32128-21	1	Nut-HF	28	110-0728	1	Spindle ASM
13	105-0889	1	Idler Arm ASM	29	121-1779-03	1	Baffle
14	51-3641	1	Sleeve-Pivot, Idler	30	110-0754-01	1	Baffle-Discharge
15	110-6953	1	Belt-V	31	323-4	2	Screw-HH



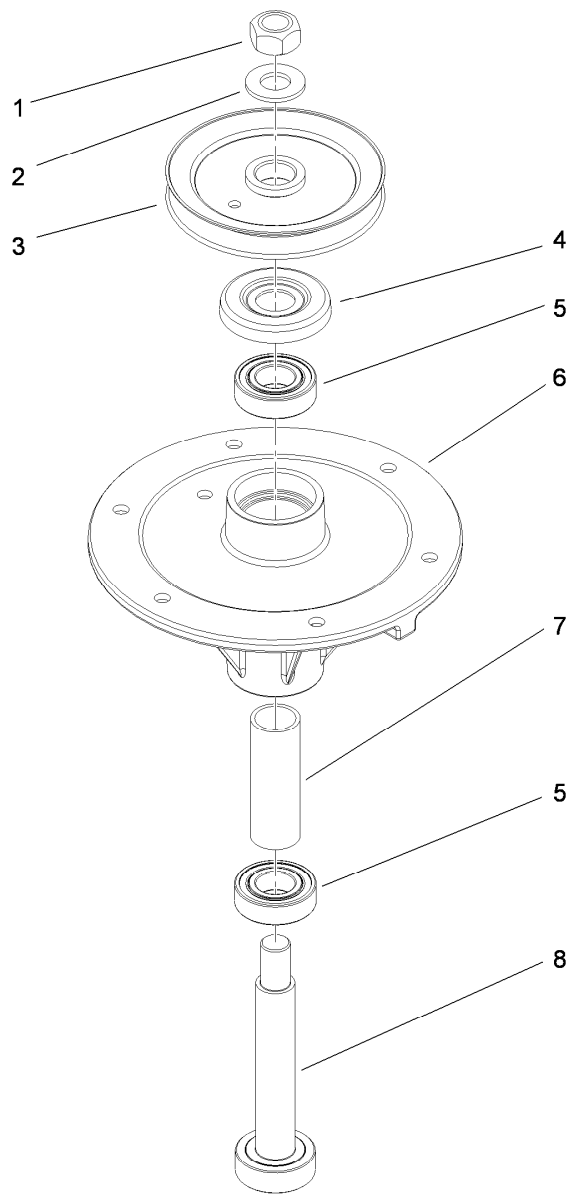
Deck Decal Assembly No. 112-7080

<i>Ref.</i>	<i>Part Number</i>	<i>Qty.</i>	<i>Description</i>
2	104-8569	1	Decal-Warning
3	1-403005	1	Decal-Danger
4	104-8185	1	Decal
5	98-5954	2	Decal-Cover, Missing
6	68-8340	1	Decal-Torque
7	66-1340	1	Decal-Danger, Thrown Object
8	105-7798	1	Decal-Scalp, Anti
9	110-2068	1	Decal-Adjustment, Baffle
10	110-2067	1	Decal-Setting, Baffle



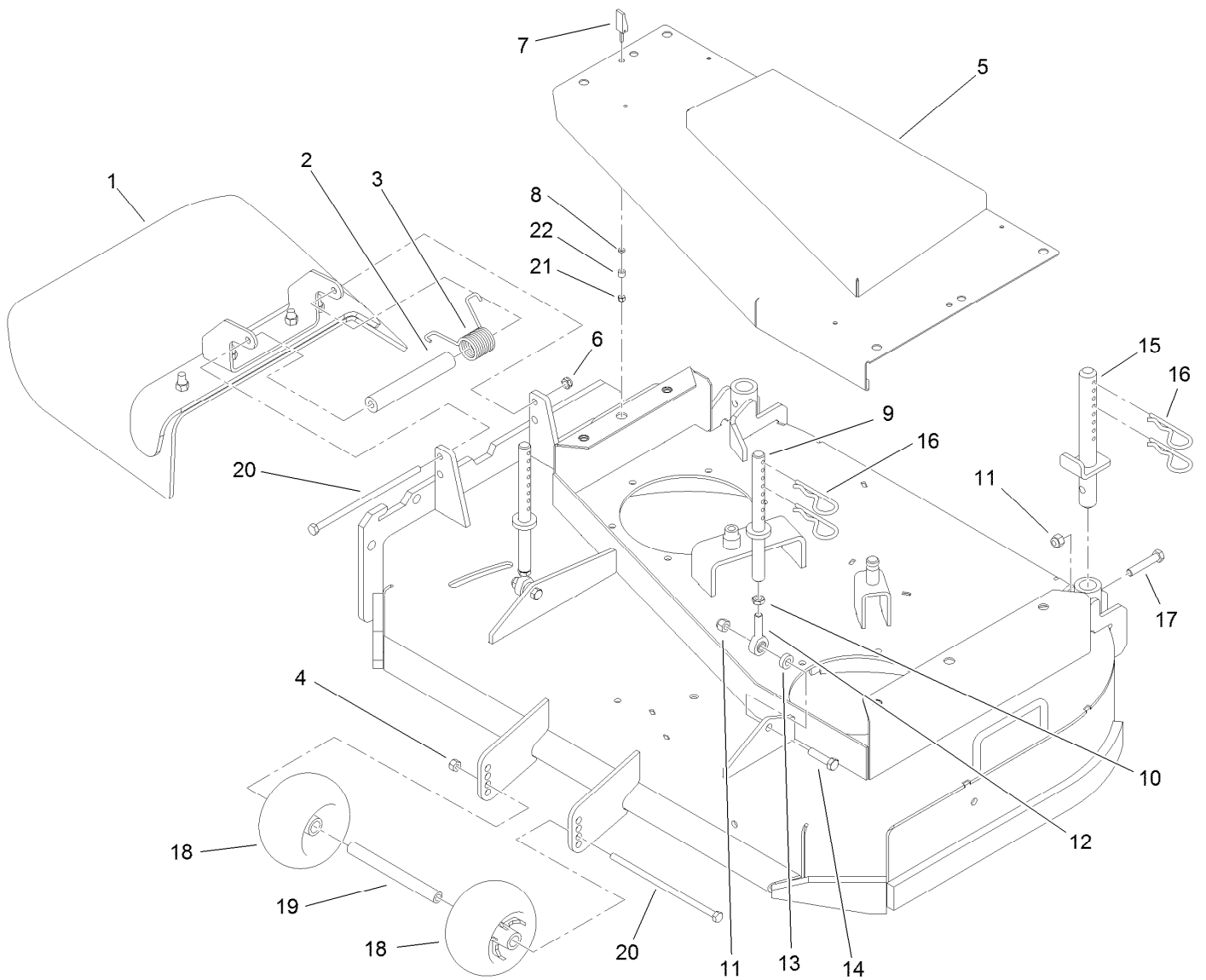
Spindle Assembly No. 110-0730

<i>Ref.</i>	<i>Part Number</i>	<i>Qty.</i>	<i>Description</i>
1	3219-7	1	Nut-Hex
2	7-4150	1	Washer
3	108-6627	1	Pulley And Hub ASM
4	106-0873	1	Shield-Bearing
5	116-0720	2	Bearing-Ball
6	108-6696	1	Housing-Spindle
7	110-0727	1	Spacer-Bearing
8	110-0725	1	Shaft-Spindle



Spindle Assembly No. 110-0728

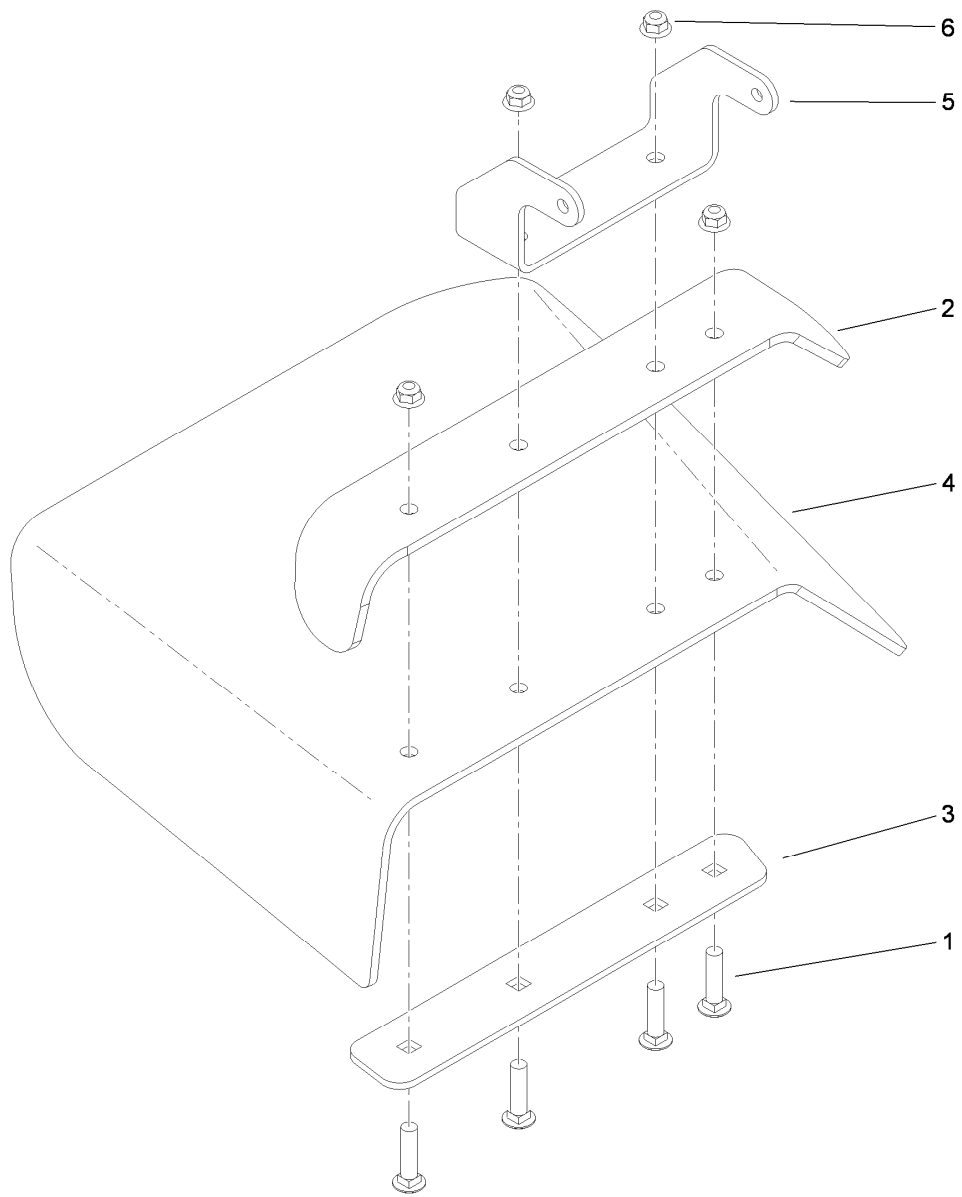
<i>Ref.</i>	<i>Part Number</i>	<i>Qty.</i>	<i>Description</i>
1	3219-7	1	Nut-Hex
2	7-4150	1	Washer
3	104-1181	1	Pulley ASM
4	106-0873	1	Shield-Bearing
5	116-0720	2	Bearing-Ball
6	108-6696	1	Housing-Spindle
7	110-0727	1	Spacer-Bearing
8	110-0726	1	Shaft-Spindle



Outer Deck Assembly

<i>Ref.</i>	<i>Part Number</i>	<i>Qty.</i>	<i>Description</i>
1	110-0790	1	Deflector ASM
2	105-4622	1	Spacer
3	108-4052	1	Spring-Torsion
4	3296-29	1	Nut-Lock, NI
5	119-6512-01	1	Cover-Belt, Deck
6	3296-47	1	Nut-Lock, NI
7	106-6777	2	Handle-Latch, Swell
8	99-3058	2	Washer
9	108-2674	2	Front Pin ASM
10	3220-3	2	Nut-HJ
11	3296-39	4	Nut-Lock, NI

<i>Ref.</i>	<i>Part Number</i>	<i>Qty.</i>	<i>Description</i>
12	1-613204	2	Balljoint
13	104-1156	2	Spacer
14	323-8	2	Screw-HH
15	110-2086	2	Rear Pin ASM
16	3290-256	6	Pin-Hair
17	323-10	2	Screw-HH
18	1-603299	2	Roller-Scalp, Anti
19	98-5967	1	Spacer-Wheel
20	322-50	2	Screw-HH
21	1-804254	2	Nut-Lock, HH
22	106-6778	2	Bushing-Latch, Swell



Deflector Assembly No. 110-0790

<i>Ref.</i>	<i>Part Number</i>	<i>Qty.</i>	<i>Description</i>
1	3231-4	4	Screw-CARR
2	110-0792-01	1	Deflector
3	110-0793-03	1	Strap-Discharge
4	110-0791	1	Deflector-Rubber
5	107-4164-01	1	Bracket-Mounting, Deflector
6	104-8301	4	Nut-Flange, NI

Attachments and Accessories

For 39074 Commercial Walk-Behind Mower Floating Deck, T-Bar, Gear Drive with 36in TURBO FORCE Cutting Unit

Product Name	Model/Part
Blade-Recycler, 18in.....	105-7779-03
Blade-Med Flow, 18in	105-7794-03
Blade-Low Flow, 18in.....	105-7795-03
Blade-Atomic, 18in	105-7796-03
Blade-Hi Flow, 18in (6 Pack).....	108-1117
Blade-Atomic, 18in (6 Pack)	108-1118
Blade-Lo Flow, 18in (6 Pack)	110-0406
Blade-Recycler, 18in (6 Pack).....	110-0408
Blade-Med Flow, 18in (6 Pack)	110-0409
36in Bagger Enhancement Kit	110-2026
36in Recycler Kit.....	110-2080
Weight-Cast.....	112-7059-01
Weight Kit	112-9971
Soft Bag (3 Bushel).....	30104
Tru Trak Sulky.....	30110



Count on it.