



**Count on it.**

**Parts Catalog**

**Commercial Walk-Behind Mower**

**Fixed Deck, T-Bar, Gear Drive with 48in  
TURBO FORCE® Cutting Unit**

**Model No. 30678—Serial No. 313000001 and Up**



# Ordering Replacement Parts

To order replacement parts, please supply the part number, the quantity, and the description of each part desired.

## Understanding Reference Numbers

Each identified part in an illustration has a reference number. The reference number for a part also appears in the parts list, along with other information about the part.

This catalog uses two special reference number formats, one to indicate parts in a service assembly and another to indicate the quantity of a given part in an illustration.

## Service Assembly Reference Numbers

Parts in service assemblies have reference numbers in the form a:b. The a represents the reference number of the entire service assembly and the b represents a sequential number unique to each part within the service assembly.

For example, a wheel assembly might be identified by reference number 6, the tire by 6:1, the valve by 6:2, and the wheel by 6:3. When you order the assembly identified by reference number 6, you receive all parts identified by reference numbers 6:1, 6:2, and 6:3. However, you may also order any part individually. Reference numbers of this type appear in illustration and in parts lists.

## Reference Numbers Indicating Quantity

In an illustration, if a reference number indicates more than one part, the reference number has the form nX y. The n represents the quantity of the part, the X is the multiplication symbol, and the y represents the reference number.

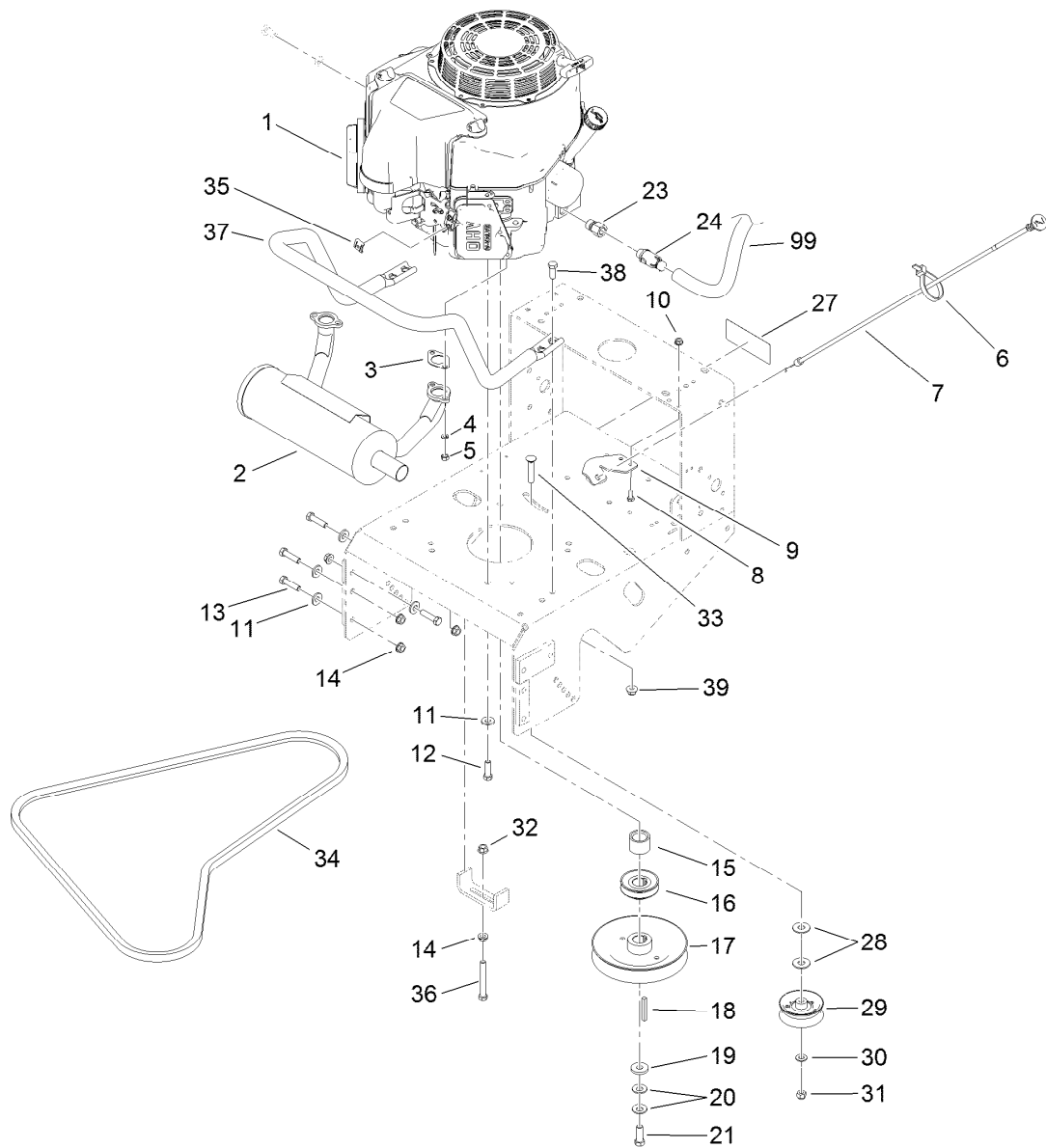
For example, in an illustration, the reference number 2X 37 means that two of the parts identified by reference number 37 are indicated.

# List of Abbreviations

<b>AR:</b> as required	<b>HLH:</b> hex lag head	<b>PTO:</b> power-take-off
<b>ASM:</b> assembly	<b>HOC:</b> height-of-cut	<b>RH:</b> right hand
<b>BBC:</b> blade brake control	<b>HSBH:</b> hex socket button head	<b>ROPS:</b> roll-over protection system
<b>BHTF:</b> button head thread forming	<b>HSFH:</b> hex socket flat head	<b>RRB:</b> rear roller brush
<b>CARR:</b> carriage	<b>HSH:</b> hex socket head	<b>SFH:</b> slotted fillister head
<b>CCW:</b> counter clockwise	<b>HWH:</b> hex washer head	<b>SHH:</b> slotted hex head
<b>CW:</b> clockwise	<b>HWHTF:</b> hex washer head thread forming	<b>SHWH:</b> slotted hex washer head
<b>DEG:</b> degrees	<b>HYD:</b> hydraulic	<b>SPH:</b> slotted pan head
<b>DPA:</b> Dual Point Adjustment	<b>LH:</b> left hand	<b>SQH:</b> square head
<b>ECM:</b> electronic control module	<b>LP:</b> Liquefied Petroleum Gas	<b>SRH:</b> slotted round head
<b>EXT:</b> external	<b>LPG:</b> Liquefied Petroleum Gas	<b>STD:</b> standard
<b>FH:</b> flat head	<b>NI:</b> nylon insert	<b>TAP:</b> self tapping
<b>GA:</b> gauge	<b>NPTF:</b> national pipe thread fine	<b>TTH:</b> torx truss head
<b>HD:</b> heavy-duty	<b>PFH:</b> phillips flat head	
<b>HF:</b> hex flange	<b>PPH:</b> phillips pan head	
<b>HH:</b> hex head	<b>PPHTF:</b> phillips pan head thread forming	
<b>HHF:</b> hex head flange	<b>PRH:</b> phillips round head	
<b>HHFTF:</b> hex head flange thread forming	<b>PTH:</b> phillips truss head	
<b>HJ:</b> hex jam		

# Contents

Engine and Exhaust Assembly.....	4
Fuel System Assembly .....	5
Frame and Transmission Assembly .....	6
Drive Wheel and Brake Assembly .....	7
Handle and Control Assembly .....	9
Wire Harness Assembly .....	10
Deck Assembly .....	11
Deck Decal Assembly No. 110-4909.....	12
Deflector Assembly No. 110-0758.....	13
Sheave, Spindle and Blade Assembly .....	14
Idler Assembly .....	15
Caster Assembly .....	16
Attachments and Accessories .....	17

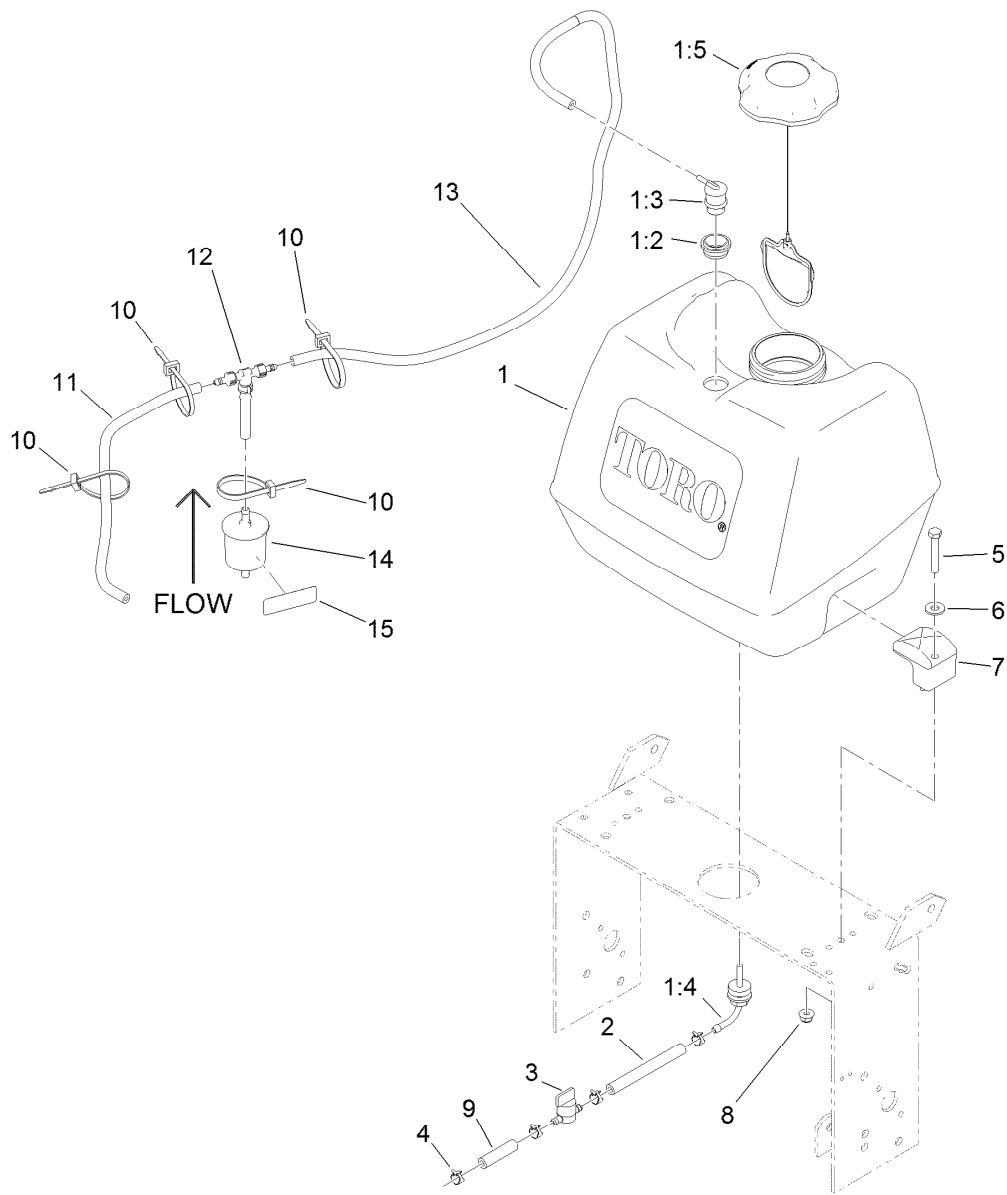


## Engine and Exhaust Assembly

Ref.	Part Number	Qty.	Description	Ref.	Part Number	Qty.	Description
1		1	Engine-Kawasaki, Fs481V-As06 ●■	19	1-373034	1	Washer
2	116-3734	1	Muffler-Horizontal, Offset	20	1-603610	2	Washer-Spring
3	1-653313	2	Gasket-Exhaust	21	116-3702	1	Screw-HH
4	114-3550	4	Washer-Lock, Spring	23	103-1966	1	Adapter
5	114-3549	4	Nut	24	120-4321	1	Valve-Drain, Oil
6	1-303287	1	Tie-Cable	27	98-0776	1	Decal-Caution
7	103-1796	1	Cable-Choke	28	3256-5	2	Washer-Flat
8	321-3	2	Screw-HH	29	1-323285	1	Pulley-Idler, Flat
9	103-1797-01	1	Bracket-Cable, Choke	30	3256-24	1	Washer-Flat
10	32128-33	2	Nut-HF	31	3296-39	1	Nut-Lock, NI
11	98-5975	12	Washer-Belleville	32	32128-21	1	Nut-HF
12	323-7	4	Screw-HH	33	3231-6	1	Screw-CARR
13	323-8	8	Screw-HH	34	110-0543	1	Belt-V
14	3290-357	9	Nut-HHF, Whiz	35	81-1690	1	Clamp-Cable
15	1-633453	1	Spacer-Clutch	36	323-14	1	Screw-HH
16	103-1666	1	Sheave-Transmission	37	116-6278-03	1	Guard-Muffler
17	110-4890	1	Pulley ASM	38	323-6	4	Screw-HH
18	103-4177	1	Key	39	104-8301	4	Nut-Flange, NI
				99	103-1964	1	Hose-Drain, Oil

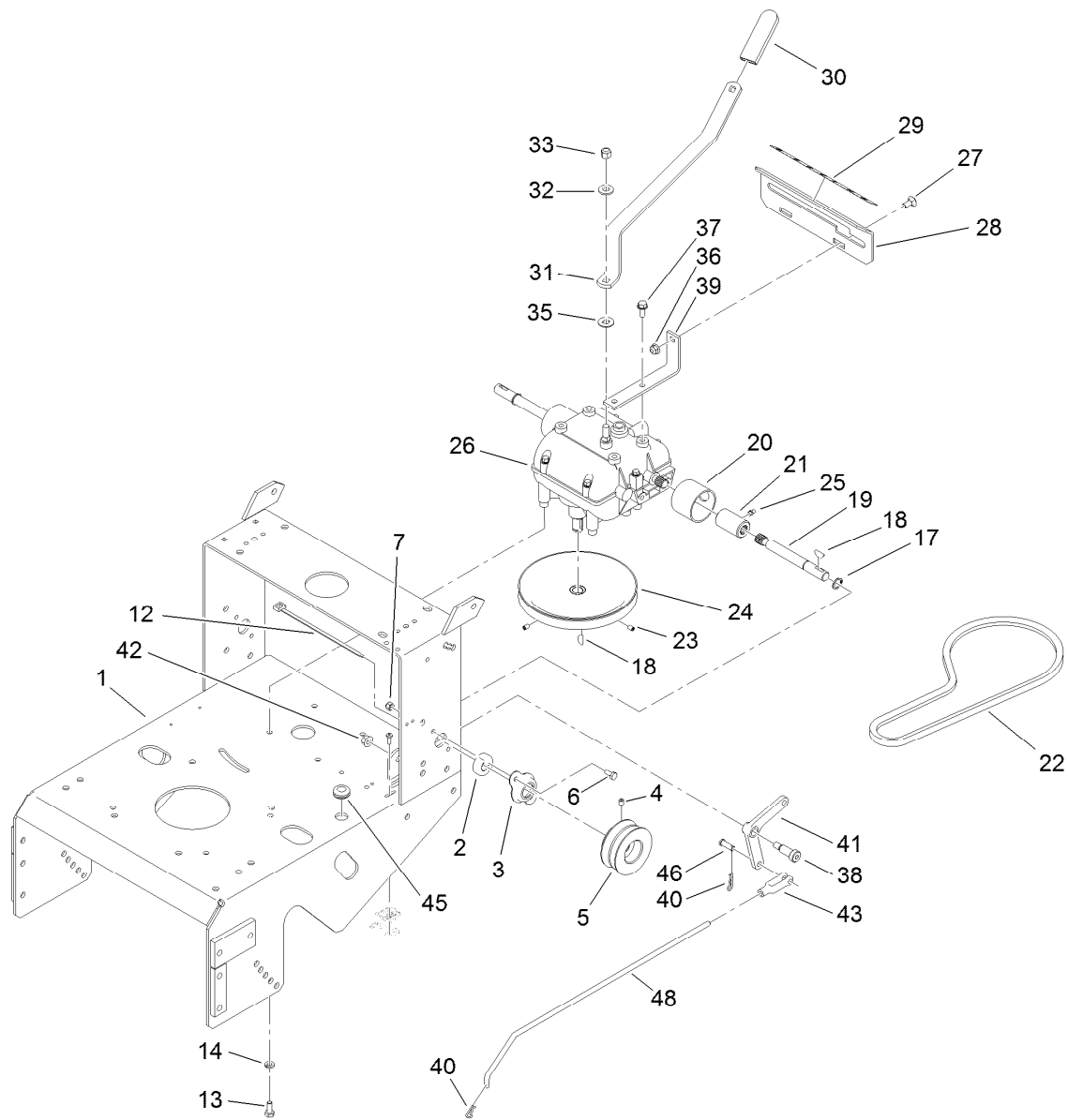
● Not serviced separately

■ Obtain parts from [www.kawpowerpc.com](http://www.kawpowerpc.com)



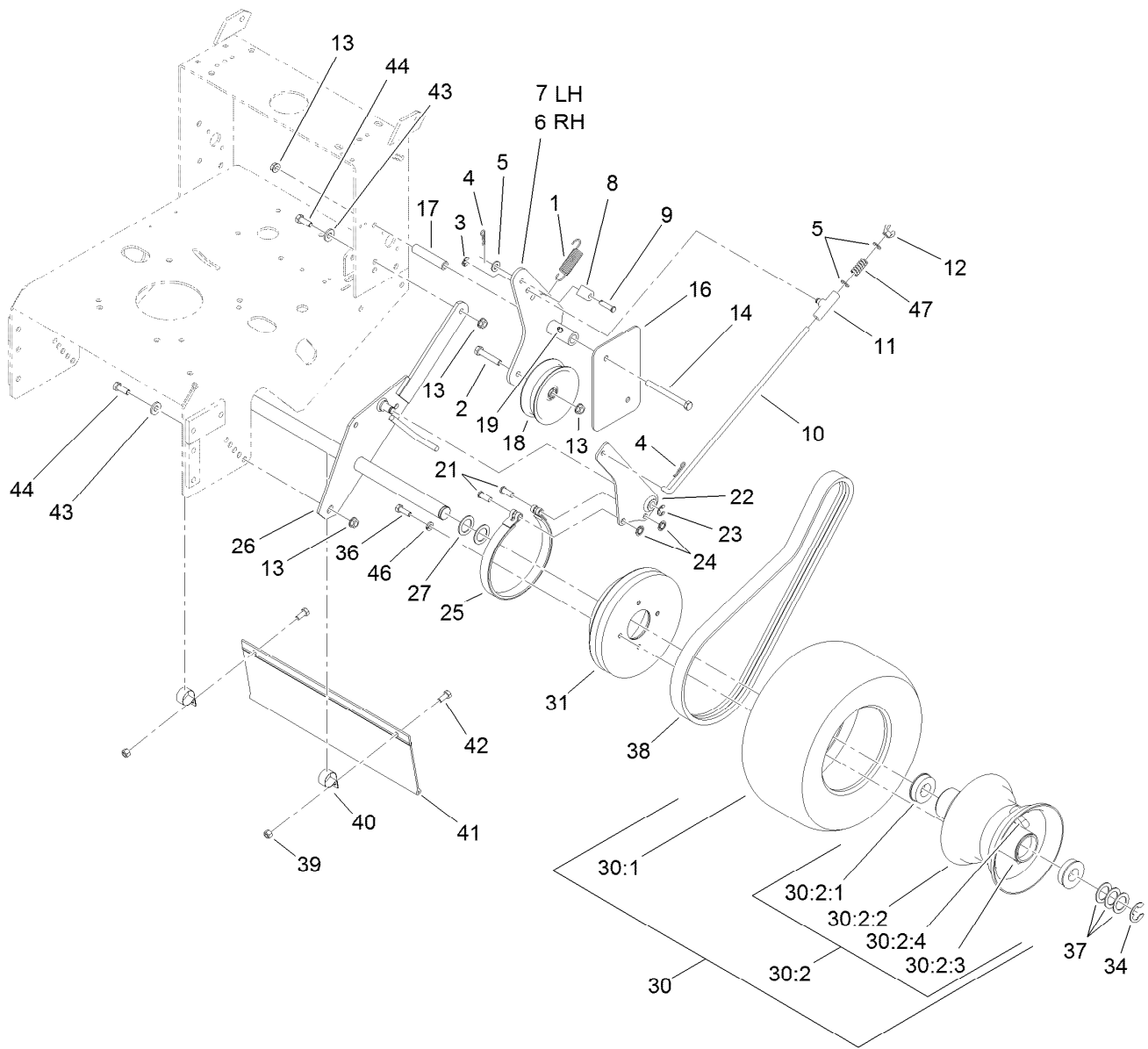
## Fuel System Assembly

<i>Ref.</i>	<i>Part Number</i>	<i>Qty.</i>	<i>Description</i>	<i>Ref.</i>	<i>Part Number</i>	<i>Qty.</i>	<i>Description</i>
1	119-7899	1	Fuel Tank ASM	7	107-4543	2	Clamp
1:2	114-0284	1	Grommet	8	104-8300	2	Nut-Flange, NI
1:3	114-0285	1	Valve-Rollover	9	99-9415	1	Hose-Fuel
1:4	103-2605	1	Fitting-Fuel, Bulkhead	10	3290-378	4	Tie-Cable
1:5	120-5461	1	Cap-Fuel, Ratcheting	11	115-7872	1	Hose-Fuel
2	109-0650	1	Hose-Fuel	12	116-5464	1	Tee And Check ASM
3	1-603770	1	Valve-Fuel	13	116-4346	1	Hose-Emissions
4	2412-98	4	Clamp-Hose	14	120-2235	1	Filter-Fuel
5	322-10	2	Screw-HH	15	116-4769	1	Decal-Filter, Emissions
6	3256-3	2	Washer-Flat				



## Frame and Transmission Assembly

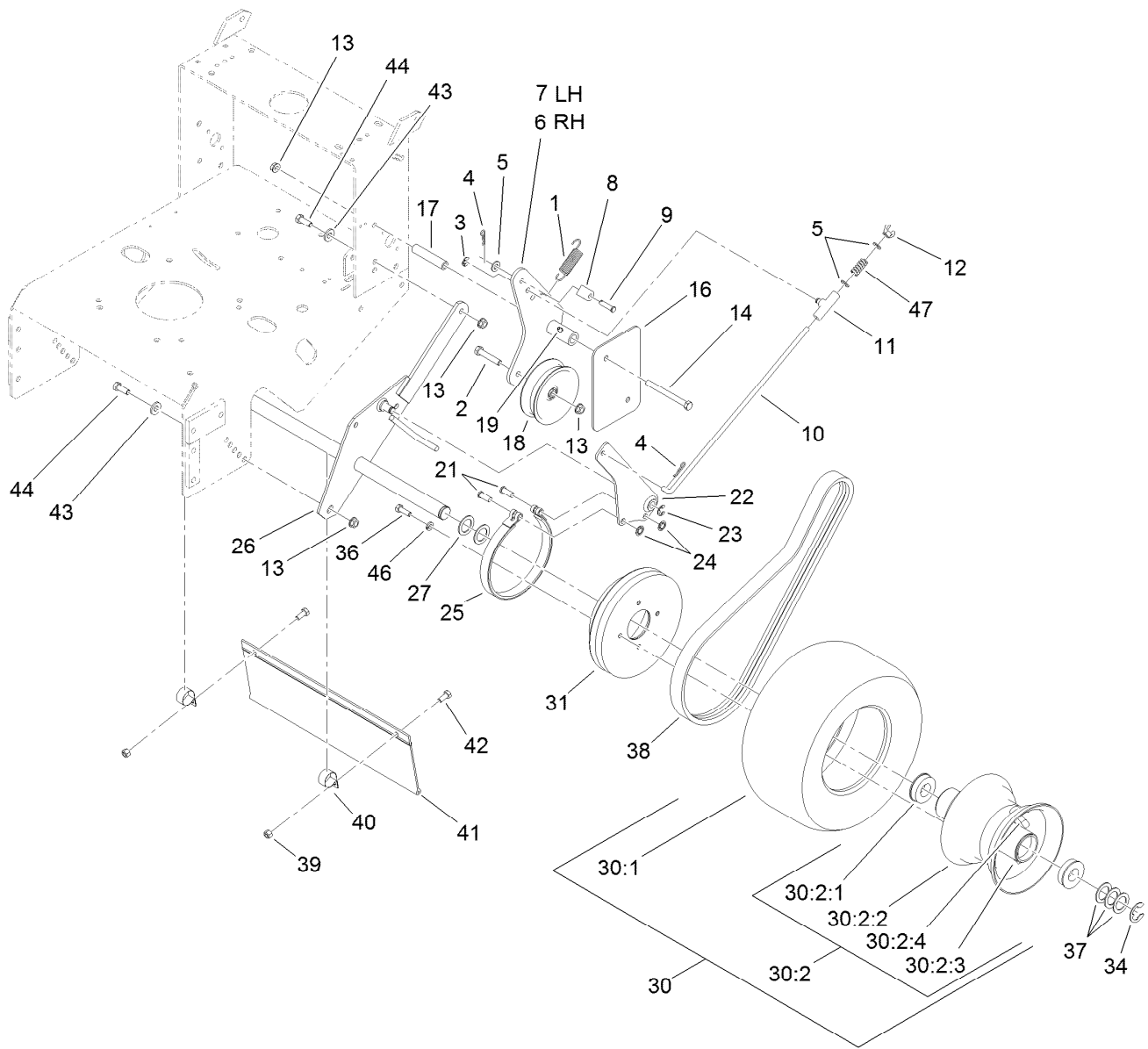
Ref.	Part Number	Qty.	Description	Ref.	Part Number	Qty.	Description
1	116-6084-01	1	Frame-Gear	27	3230-1	2	Bolt-CARR
2	1-323252	2	Bearing-Shaft	28	1-323387-03	1	Plate-Shift
3	1-323254	2	Flange-Output	29	98-3256	1	Decal-Speed, Ground
4	3246-18	2	Setscrew	30	1-303020	1	Grip-Lever
5	103-6511	2	Sheave-Transmission	31	98-3274-03	1	Lever-Shift
6	321-3	4	Screw-HH	32	98-5975	1	Washer-Belleville
7	3296-42	4	Nut-Lock, NI	33	3296-6	1	Nut-Lock
12	1-303287	1	Tie-Cable	35	1-323379	1	Washer
13	322-3	4	Screw-HH	36	104-8300	2	Nut-Flange, NI
14	1-805005	4	Washer-Lock	37	32144-11	4	Screw-HWHTF
17	32151-62	2	Ring-Retaining	38	1-603403	1	Bolt-Shoulder
18	3257-5	3	Key-Woodruff	39	1-323389-03	2	Bracket-Plate, Shift
19	1-323502	2	Shaft-Transmission	40	1-806003	2	Pin-Cotter, Hair
20	51-4220	2	Guard-Coupler	41	1-303186	1	Bellcrank
21	1-323680	2	Coupler	42	3290-357	1	Nut-HHF, Whiz
22	1-323630	1	V-Belt	43	1-303105	1	Yoke-Adjustable
23	3245-41	2	Screw-HSH	45	1-543296	1	Grommet
24	1-323278	1	Sheave-Transmission	46	1-808280	1	Pin-Clevis
25	302-19	2	Fitting-Grease	48	1-323303	1	Linkage-Arm
26	1-323500	1	Transmission				



## Drive Wheel and Brake Assembly

Ref.	Part Number	Qty.	Description	Ref.	Part Number	Qty.	Description
1	98-3273	2	Spring-Extension	21	1-323307	4	Pin-Clevis
2	323-10	2	Screw-HH	22	1-322209-03	2	Arm-Brake
3	32151-47	2	Ring-Retaining	23	32120-47	2	Ring-Retaining, External
4	1-806003	4	Pin-Cotter, Hair	24	1-803051	4	Nut-Push
5	3256-23	4	Washer-Flat	25	1-323595	2	Band-Brake
6	110-4925-03	1	RH Idler Arm ASM	26	1-322212-03	1	Axle
7	110-4926-03	1	LH Idler Arm ASM	27	1-543436	2	Washer-Spacer
8	74-0521	2	Fitting-Rod	30	1-323719	2	Wheel And Tire ASM
9	283-6	2	Pin-Clevis	30:1	1-323720	1	Tire-Turfmaster
10	1-323296	2	Rod-Brake	30:2	1-323328	1	Wheel And Hub ASM
11	110-5866	2	Swivel-Brake	30:2:1	1-323329	2	Bearing-Flanged
12	1-513959	2	Wingnut-Nylock	30:2:2		1	Rim ASM ●
13	3290-357	10	Nut-HHF, Whiz	30:2:3		1	Fitting-Grease ●
14	323-16	4	Screw-HH	30:2:4		1	Stem-Valve ●
16	98-5131-01	2	Shield-Wheel, Drive	31	109-4359	2	Drum And Sheave ASM
17	1-323694	4	Spacer-Shield	34	1-808519	2	Ring-Snap
18	1-323634	2	Idler-Drive, Wheel	36	322-5	8	Screw-HH
19	302-19	2	Fitting-Grease	37	1-523157	6	Washer-Spacer

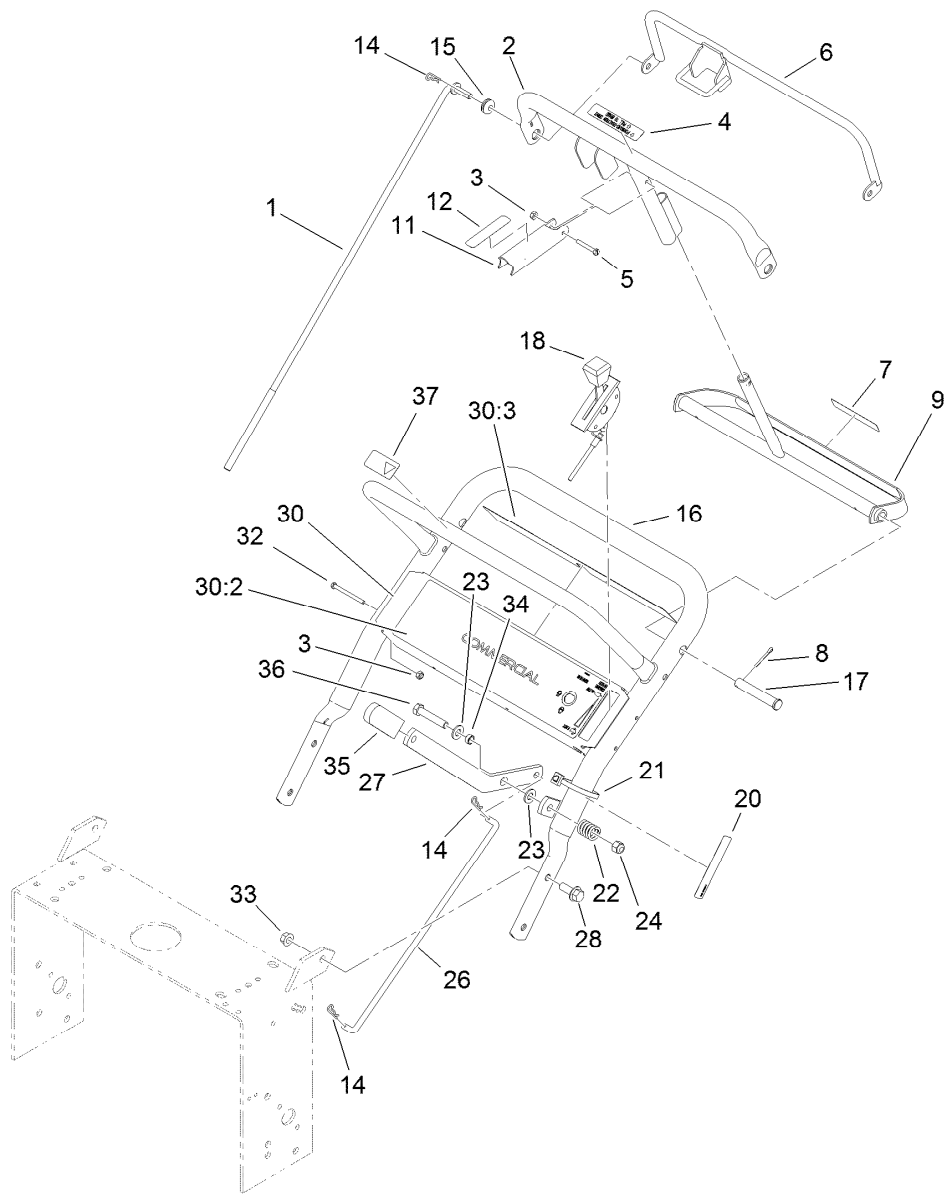
● Not serviced separately



## Drive Wheel and Brake Assembly (continued)

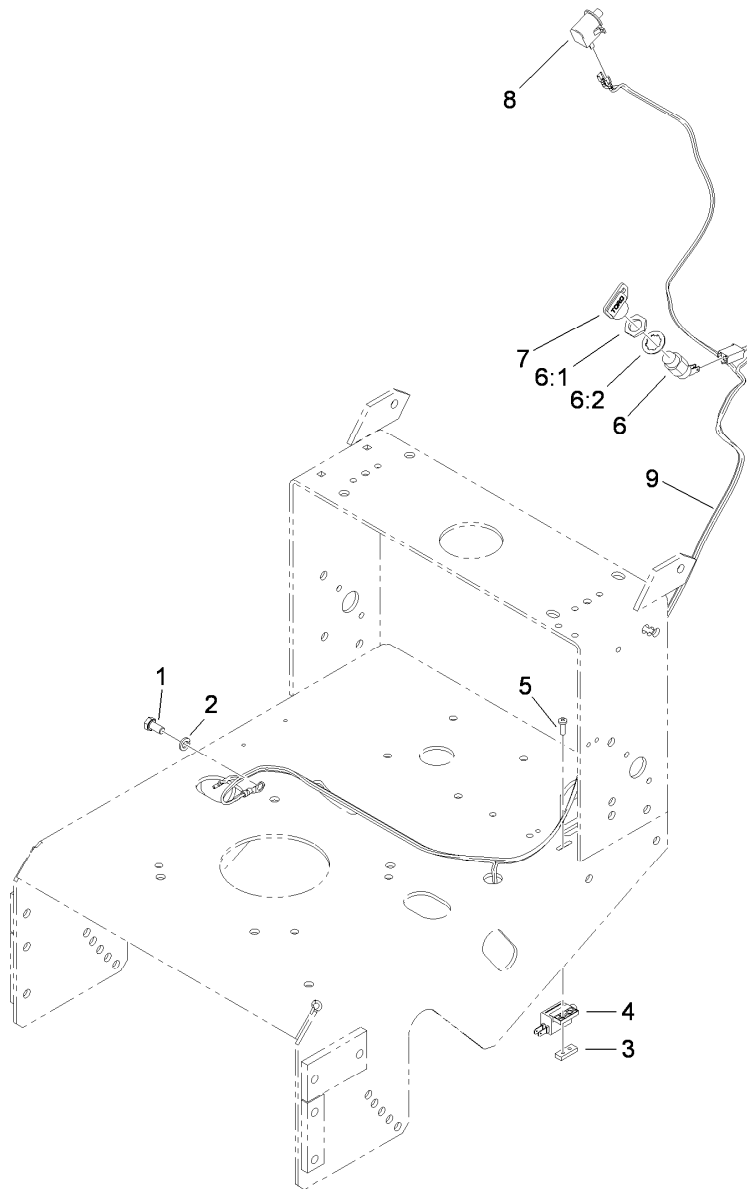
Ref.	Part Number	Qty.	Description	Ref.	Part Number	Qty.	Description
38	1-323631	2	V-Belt	43	98-5975	4	Washer-Belleville
39	3296-29	2	Nut-Lock, NI	44	323-6	4	Screw-HH
40	2412-104	2	Clamp-R	46	1-805005	8	Washer-Lock
41	98-3259	1	Shield-Trailing	47	1-323245	2	Spring-Compression
42	322-3	2	Screw-HH				

● Not serviced separately



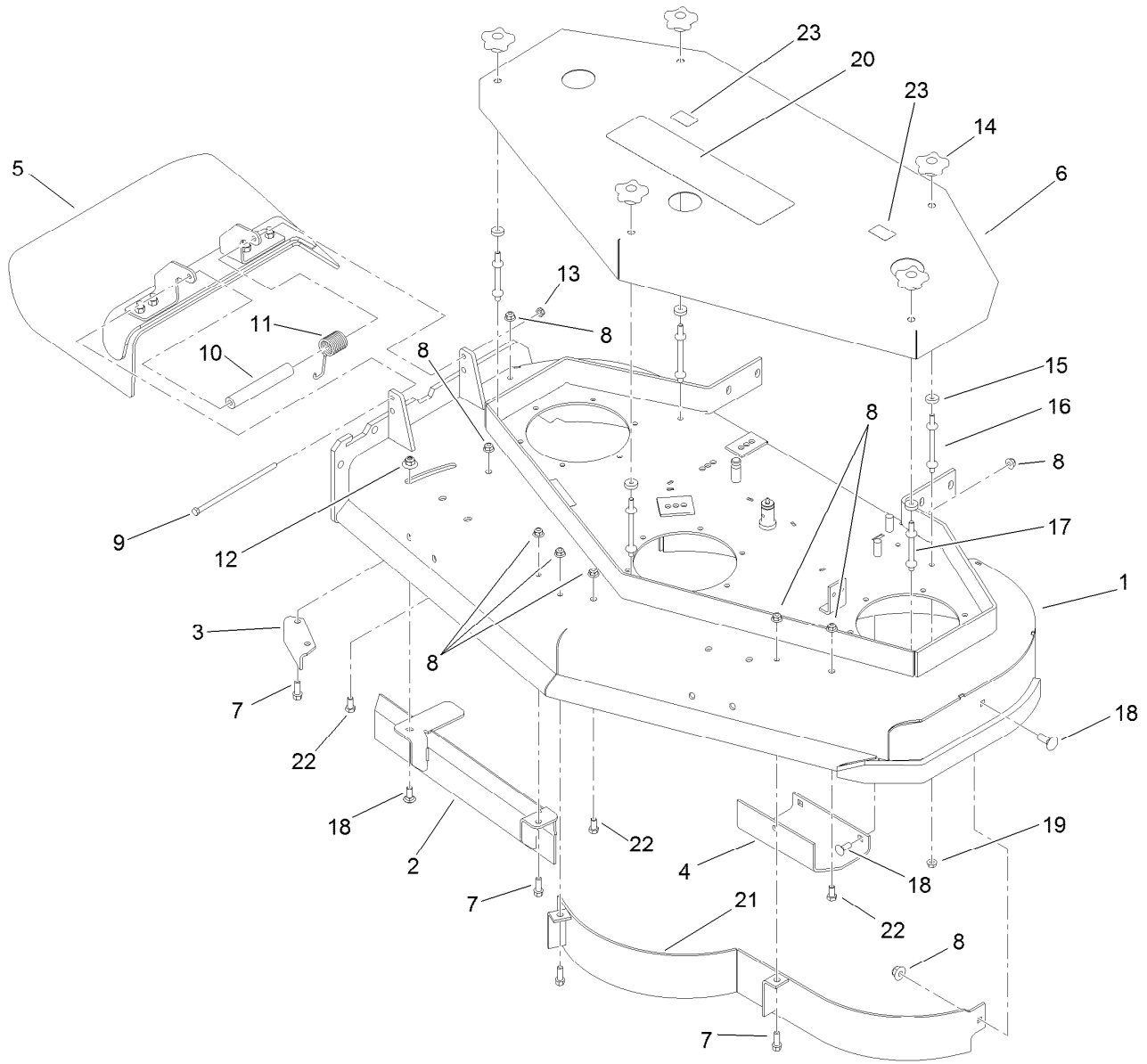
## Handle and Control Assembly

<i>Ref.</i>	<i>Part Number</i>	<i>Qty.</i>	<i>Description</i>	<i>Ref.</i>	<i>Part Number</i>	<i>Qty.</i>	<i>Description</i>
1	98-3282	2	Rod-Control	21	1-303335	2	Tie-Plastic
2	95-5522-03	1	Bar-Control	22	1-303160	1	Spring-Compression
3	3296-2	5	Nut-Lock, NI	23	3256-24	2	Washer-Flat
4	82-2290	1	Decal	24	104-8301	1	Nut-Flange, NI
5	32105-1	1	Screw-SHH	26	98-3279	1	Linkage-Drive, Blade
6	82-7680-03	1	Bail	27	98-3287-03	1	Lever-Engagement, Blade
7	82-2280	1	Decal	28	3234-11	4	Screw-HHF
8	3272-11	2	Pin-Cotter	30	110-6905	1	Control Panel ASM
9	99-8501-03	1	Control-Pivot	30:2	110-6916	1	Decal-Panel, Control
11	98-3261-03	1	Lever-Brake, Parking	30:3	105-0884	1	Decal-Danger
12	98-3266	1	Decal	32	32105-14	4	Screw-SHH
14	1-806003	3	Pin-Cotter, Hair	33	32128-21	4	Nut-HF
15	237-141	2	Grommet-Rubber	34	99-8509	1	Spacer
16	98-3267-03	1	Handle-Upper	35	1-303020	1	Grip-Lever
17	283-55	2	Pin-Clevis	36	323-10	1	Screw-HH
18	119-6539	1	Cable-Throttle	37	98-4387	1	Decal-Protection, Ear
20	95-5537	1	Decal-Engage, Deck				



## Wire Harness Assembly

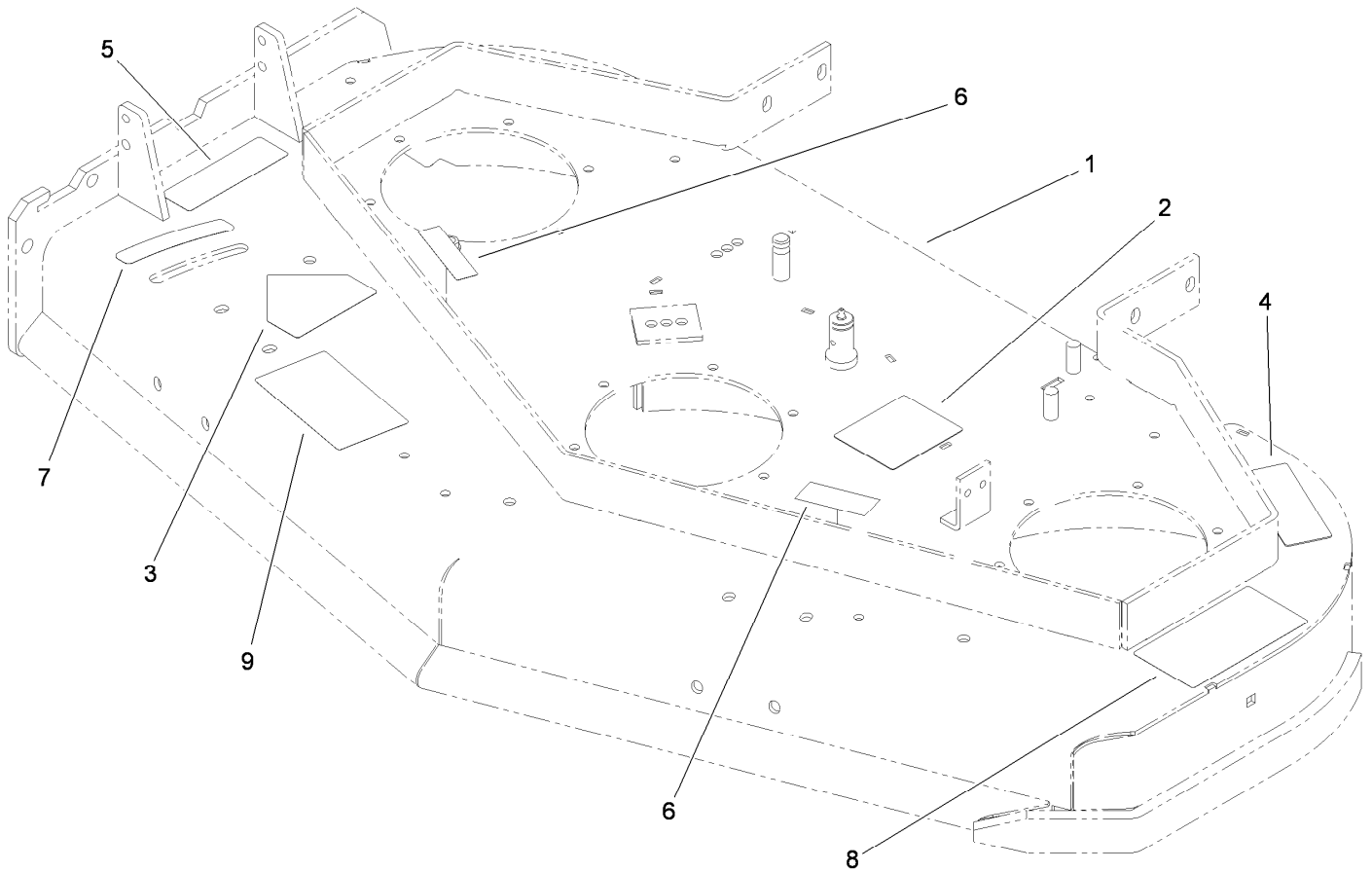
<i>Ref.</i>	<i>Part Number</i>	<i>Qty.</i>	<i>Description</i>
1	33114-016	1	Screw-HH
2	3253-4	1	Washer-Lock
3	1-633181	1	Plate-Tapped
4	1-513152	1	Switch-Closed, Normally
5	3290-500	2	Screw-PPH
6	29-5560	1	Switch-On / Off
6:1	218-461	1	Nut-HH
6:2	3254-5	1	Washer-Tooth, Internal
7	63-8360	1	Key-Ignition (W/Shield)
8	740275	1	Switch-Seat
9	119-6535	1	Harness-Wire



## Deck Assembly

<i>Ref.</i>	<i>Part Number</i>	<i>Qty.</i>	<i>Description</i>
1	110-4909	1	Deck ASM
2	121-1775-03	1	Baffle
3	110-0744-01	1	Baffle-Discharge
4	107-3166-01	1	Skid
5	110-0758	1	Deflector ASM
6	110-2119-01	1	Cover
7	92-1624	5	Screw-HWH
8	104-8301	12	Nut-Flange, NI
9	322-50	1	Screw-HH
10	105-4622	1	Spacer
11	108-4052	1	Spring-Torsion
12	109-6658	1	Nut-Flange, NI

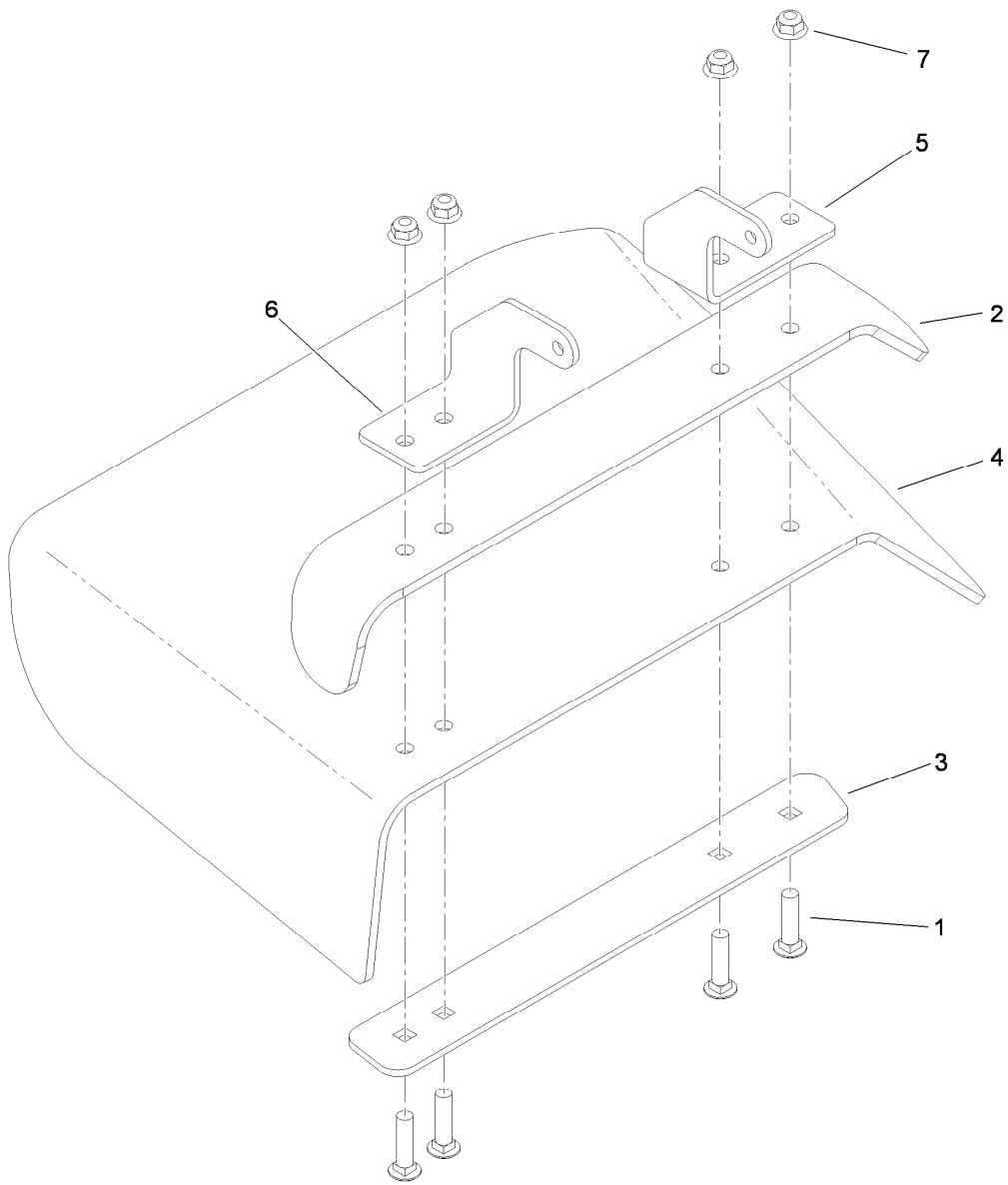
<i>Ref.</i>	<i>Part Number</i>	<i>Qty.</i>	<i>Description</i>
13	3296-47	1	Nut-Lock, NI
14	106-4161	5	Knob-Handle
15	1-323417	5	Washer
16	1-303536	3	Stud-Shield, Belt (Long)
17	1-303537	2	Stud-Shield, Belt (Short)
18	3231-2	5	Bolt-CARR
19	32128-20	5	Nut-HF
20	112-9712	1	Decal
21	110-0735-03	1	Baffle
22	323-4	3	Screw-HH
23	103-2076	2	Decal-Caution



## Deck Decal Assembly No. 110-4909

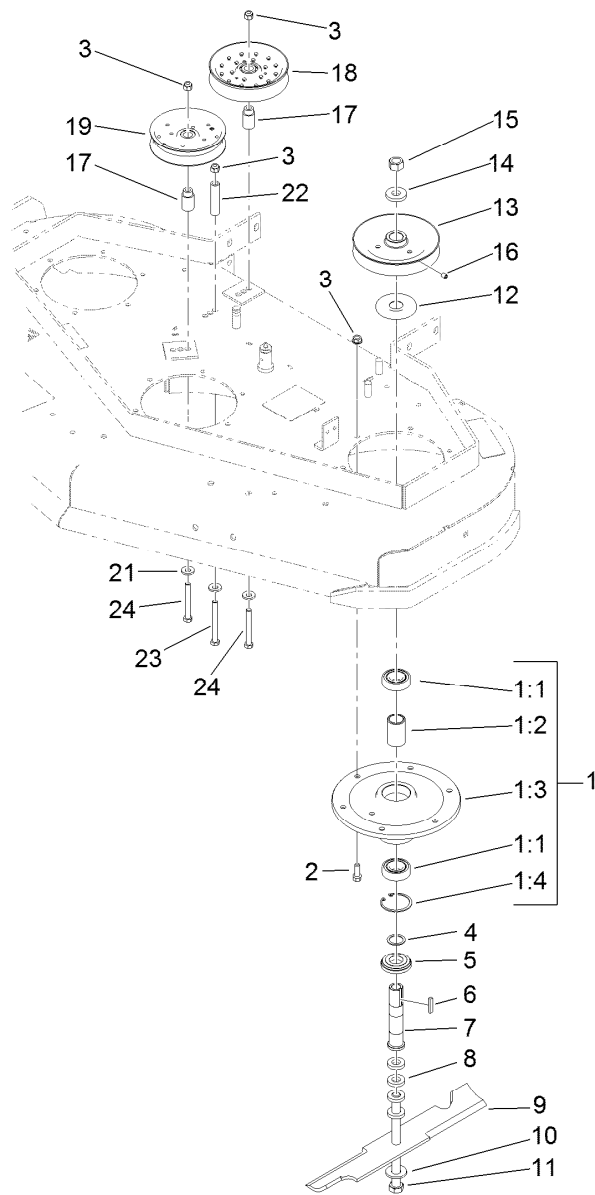
<i>Ref.</i>	<i>Part Number</i>	<i>Qty.</i>	<i>Description</i>
1		1	48 Inch Deck ASM ●
2	99-3943	1	Decal-Routing, Belt
3	1-403005	1	Decal-Danger
4	98-5130	1	Decal-Torque, Bolt
5	104-8569	1	Decal-Warning
6	98-5954	2	Decal-Cover, Missing
7	110-2067	1	Decal-Setting, Baffle
8	66-1340	1	Decal-Danger, Thrown Object
9	110-2068	1	Decal-Adjustment, Baffle

● Not serviced separately



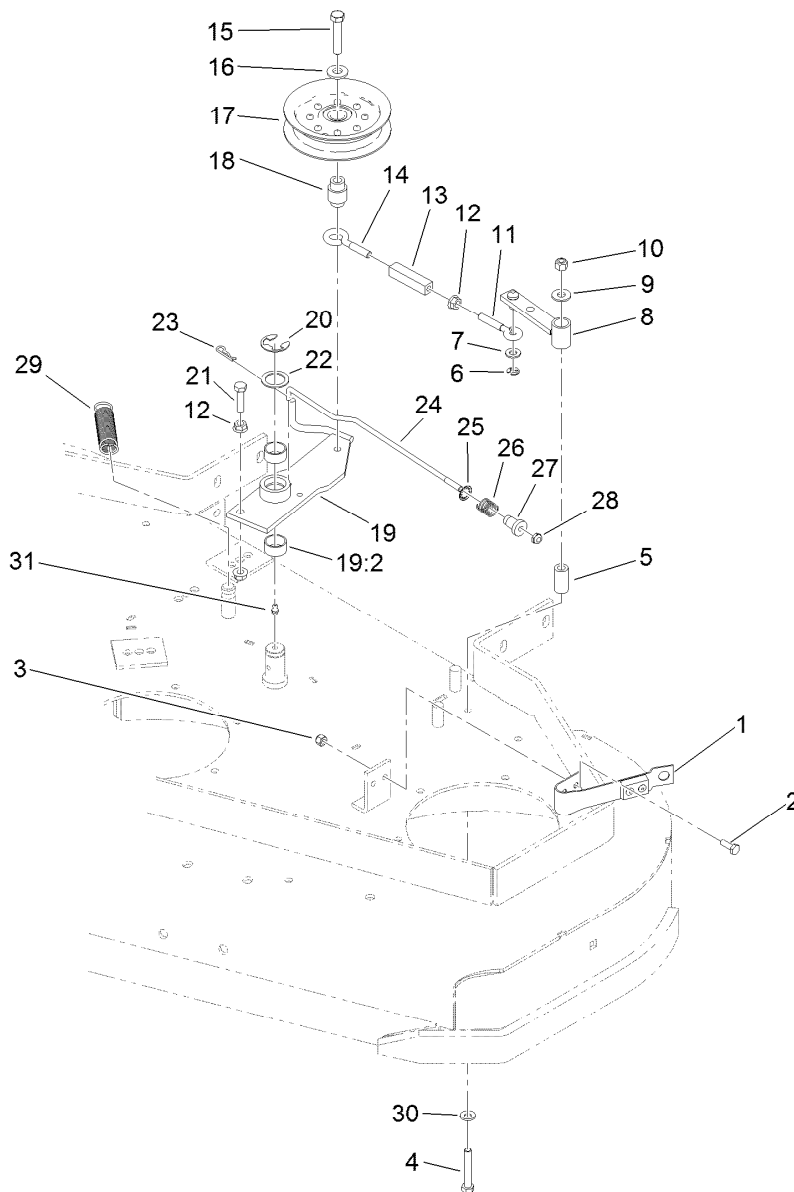
## Deflector Assembly No. 110-0758

<i>Ref.</i>	<i>Part Number</i>	<i>Qty.</i>	<i>Description</i>
1	3231-4	4	Screw-CARR
2	106-3246-01	1	Deflector
3	106-3248-03	1	Strap-Discharge
4	110-0759	1	Deflector-Rubber
5	107-4197-01	1	Bracket-Hinge, Rear
6	107-4196-01	1	Bracket-Hinge, Front
7	104-8301	4	Nut-Flange, NI



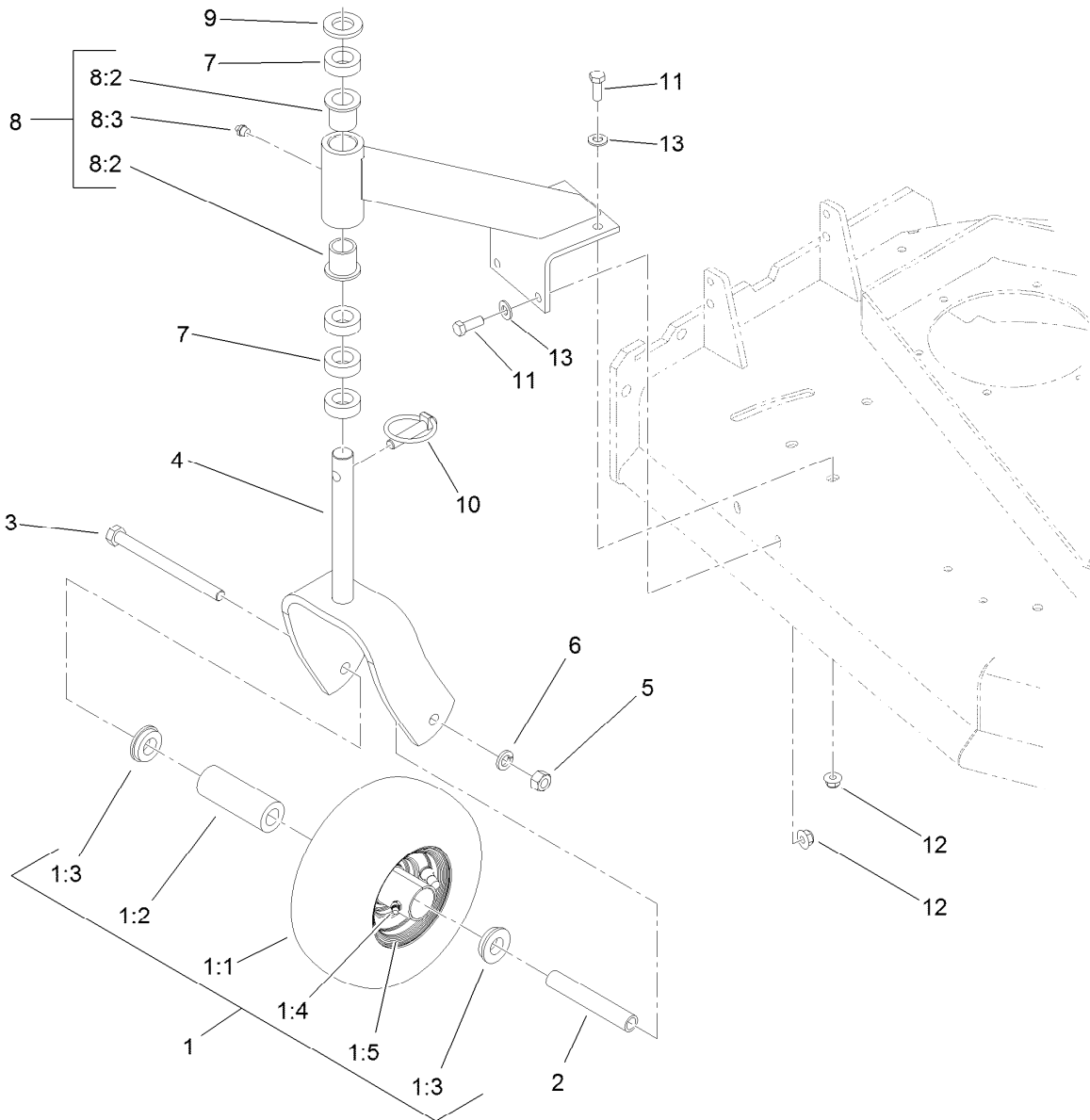
## Sheave, Spindle and Blade Assembly

<i>Ref.</i>	<i>Part Number</i>	<i>Qty.</i>	<i>Description</i>	<i>Ref.</i>	<i>Part Number</i>	<i>Qty.</i>	<i>Description</i>
1	108-6697	3	Spindle Housing ASM	11	1-800861	3	Screw-Cap, HH
1:1	119-7857	2	Bearing-Ball, 1 Inch	12	103-1330	3	Guard-Bearing, Top
1:2	110-2116	1	Spacer-Bearing	13	1-403183	3	Sheave
1:3	108-6694	1	Housing-Spindle	14	1-323339	3	Washer-Retainer, Sheave
1:4	32120-8	1	Ring-Snap	15	3219-6	3	Nut-Hex
2	92-1624	18	Screw-HWH	16	3246-18	3	Setscrew
3	104-8301	21	Nut-Flange, NI	17	1-413113	2	Bushing-Idler
4	110-4888	3	Washer-Spacer	18	116-4665	1	Idler-Pulley, Flat
5	103-2535	3	Spacer-Guard, Bottom	19	1-613098	1	Pulley-Idler
6	1-807267	3	Key	21	98-5975	3	Washer-Belleville
7	1-323529	3	Tube-Spindle, Short	22	1-403188	1	Spacer
8	1-323539	12	Spacer	23	323-15	1	Screw-HH
9	107-3192-03	3	Blade-16.5 Inch (High Flow)	24	323-14	2	Screw-HH
10	1-513208	3	Washer-Spring				



## Idler Assembly

<i>Ref.</i>	<i>Part Number</i>	<i>Qty.</i>	<i>Description</i>	<i>Ref.</i>	<i>Part Number</i>	<i>Qty.</i>	<i>Description</i>
1	1-324372	1	Pad And Spring ASM	18	1-303434	1	Bushing-Engagement
2	321-4	2	Screw-HH	19	103-3600	1	Idler Arm ASM
3	3296-42	2	Nut-Lock, NI	19:2	1-323729	2	Sleeve-Bearing
4	322-10	1	Screw-HH	20	32151-103	1	Ring-Retaining, EXT
5	1-403179	1	Tube-Pivot	21	116-3515	1	Screw-HH, Special
6	32120-35	1	Ring-Retaining, EXT	22	1-303352	1	Washer-Spindle
7	3256-23	1	Washer-Flat	23	1-806003	1	Pin-Cotter, Hair
8	1-322235	1	Arm-Assist	24	110-4932	1	Rod-Brake
9	3256-3	1	Washer-Flat	25	1-323748	1	Ring-Push On
10	3296-29	1	Nut-Lock, NI	26	1-323747	1	Spring-Compression
11	1-303238	1	Eyebolt-Thread, RH	27	1-323746	1	Spacer-Flanged
12	32128-20	3	Nut-HF	28	3296-56	1	Nut-Lock, NI
13	1-303236	1	Body-Turnbuckle	29	1-323071	1	Spring-Extension
14	1-303348	1	Eyebolt-Thread, LH	30	1-303334	1	Washer-Spring
15	702809	1	Screw-HH	31	302-40	1	Fitting-Grease
16	98-5975	1	Washer-Belleville				
17	116-3626	1	Pulley-Idler				



## Caster Assembly

Ref.	Part Number	Qty.	Description
1	110-5023	2	Wheel And Tire ASM
1:1		1	Tire ●
1:2	1-513809	1	Bearing
1:3	1-513810	2	Bushing
1:4	302-61	1	Fitting-Grease
1:5		1	Wheel ●
2	1-513547	2	Spacer
3	325-20	2	Screw-HH
4	1-322145-01	2	Fork
5	3217-9	2	Nut-HH

Ref.	Part Number	Qty.	Description
6	3253-7	2	Washer-Lock
7	1-303314	8	Spacer-Caster
8	110-2130	2	Support ASM
8:2	1-303514	2	Bearing-Flanged
8:3	302-52	1	Fitting-Grease
9	1-513338	2	Washer-Flat
10	1-809020	2	Pin
11	323-6	8	Screw-HH
12	104-8301	8	Nut-Flange, NI
13	3256-24	8	Washer-Flat

● Not serviced separately

# Attachments and Accessories

## For 30678 Commercial Walk-Behind Mower Fixed Deck, T-Bar, Gear Drive with 48in TURBO FORCE Cutting Unit

<b>Product Name</b>	<b>Model/Part</b>
Blade-Low Flow, 16.5in.....	107-3193-03
Blade-Mid Flow, 16.5in .....	107-3194-03
Blade-Atomic, 16.5in .....	107-3195-03
Blade-Recycling, 16.5in.....	107-3196-03
Bagging Enhancement Kit .....	108-4091
Blade-Hi Flow, 16.5in (6 Pack).....	110-0414
Blade-Lo Flow, 16.5in (6 Pack) .....	110-0415
Blade-Recycler, 16.5in (6 Pack).....	110-0416
Blade-Atomic, 16.5in (6 Pack) .....	110-0417
Blade-Mid Flow, 16.5in (6 Pack) .....	110-0418
48in Recycler Kit.....	110-2060
Weight Kit .....	110-2085
Operator Controlled Discharge Chute Kit.....	115-4195
Soft Bag (3 Bushel).....	30104
Sulky.....	30109

**Notes:**

**Notes:**



**Count on it.**