



**Count on it.**

**Parts Catalog**

**Commercial Walk-Behind Mower  
Fixed Deck, Pistol Grip, Hydro Drive with  
36in TURBO FORCE® Cutting Unit**

Model No. 39934—Serial No. 313000001 and Up



# Ordering Replacement Parts

To order replacement parts, please supply the part number, the quantity, and the description of each part desired.

## Understanding Reference Numbers

Each identified part in an illustration has a reference number. The reference number for a part also appears in the parts list, along with other information about the part.

This catalog uses two special reference number formats, one to indicate parts in a service assembly and another to indicate the quantity of a given part in an illustration.

## Service Assembly Reference Numbers

Parts in service assemblies have reference numbers in the form a:b. The a represents the reference number of the entire service assembly and the b represents a sequential number unique to each part within the service assembly.

For example, a wheel assembly might be identified by reference number 6, the tire by 6:1, the valve by 6:2, and the wheel by 6:3. When you order the assembly identified by reference number 6, you receive all parts identified by reference numbers 6:1, 6:2, and 6:3. However, you may also order any part individually. Reference numbers of this type appear in illustration and in parts lists.

## Reference Numbers Indicating Quantity

In an illustration, if a reference number indicates more than one part, the reference number has the form nX y. The n represents the quantity of the part, the X is the multiplication symbol, and the y represents the reference number.

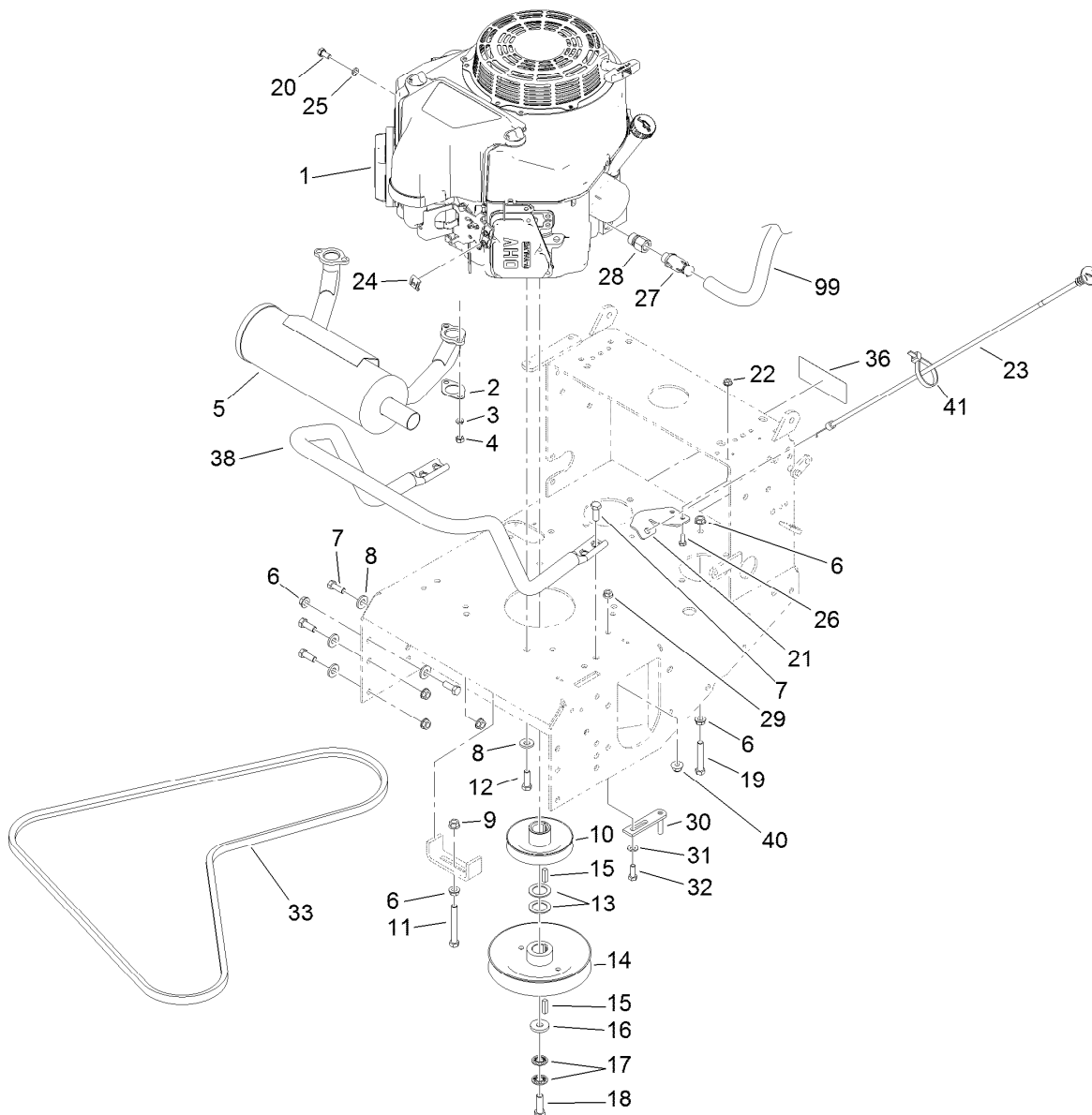
For example, in an illustration, the reference number 2X 37 means that two of the parts identified by reference number 37 are indicated.

# List of Abbreviations

<b>AR:</b> as required	<b>HLH:</b> hex lag head	<b>PTO:</b> power-take-off
<b>ASM:</b> assembly	<b>HOC:</b> height-of-cut	<b>RH:</b> right hand
<b>BBC:</b> blade brake control	<b>HSBH:</b> hex socket button head	<b>ROPS:</b> roll-over protection system
<b>BHTF:</b> button head thread forming	<b>HSFH:</b> hex socket flat head	<b>RRB:</b> rear roller brush
<b>CARR:</b> carriage	<b>HSH:</b> hex socket head	<b>SFH:</b> slotted fillister head
<b>CCW:</b> counter clockwise	<b>HWH:</b> hex washer head	<b>SHH:</b> slotted hex head
<b>CW:</b> clockwise	<b>HWHTF:</b> hex washer head thread forming	<b>SHWH:</b> slotted hex washer head
<b>DEG:</b> degrees	<b>HYD:</b> hydraulic	<b>SPH:</b> slotted pan head
<b>DPA:</b> Dual Point Adjustment	<b>LH:</b> left hand	<b>SQH:</b> square head
<b>ECM:</b> electronic control module	<b>LP:</b> Liquefied Petroleum Gas	<b>SRH:</b> slotted round head
<b>EXT:</b> external	<b>LPG:</b> Liquefied Petroleum Gas	<b>STD:</b> standard
<b>FH:</b> flat head	<b>NI:</b> nylon insert	<b>TAP:</b> self tapping
<b>GA:</b> gauge	<b>NPTF:</b> national pipe thread fine	<b>TTH:</b> torx truss head
<b>HD:</b> heavy-duty	<b>PFH:</b> phillips flat head	
<b>HF:</b> hex flange	<b>PPH:</b> phillips pan head	
<b>HH:</b> hex head	<b>PPHTF:</b> phillips pan head thread forming	
<b>HHF:</b> hex head flange	<b>PRH:</b> phillips round head	
<b>HHFTF:</b> hex head flange thread forming	<b>PTH:</b> phillips truss head	
<b>HJ:</b> hex jam		

# Contents

Engine and Exhaust Assembly.....	4
Fuel System Assembly .....	6
Pump Drive and Engine Pulley Assembly .....	7
Hydraulic Wheel Motor Assembly No. 1-603718.....	8
LH Hydraulic Pump Assembly No. 116-0942.....	9
RH Hydraulic Pump Assembly No. 116-0943 .....	10
Parking Brake Assembly .....	11
Deck Engagement Assembly .....	12
Hydraulic System Assembly .....	13
Lower Control Assembly .....	14
Upper Control Assembly .....	16
Handle Assembly No. 119-6538 .....	18
Drive Lever Assembly .....	19
Deck Assembly .....	20
Deck Decal Assembly No. 110-4907.....	21
Deflector Assembly No. 119-6530.....	22
Sheave, Spindle and Blade Assembly .....	23
Idler Assembly .....	24
Caster Assembly .....	25
Attachments and Accessories .....	26

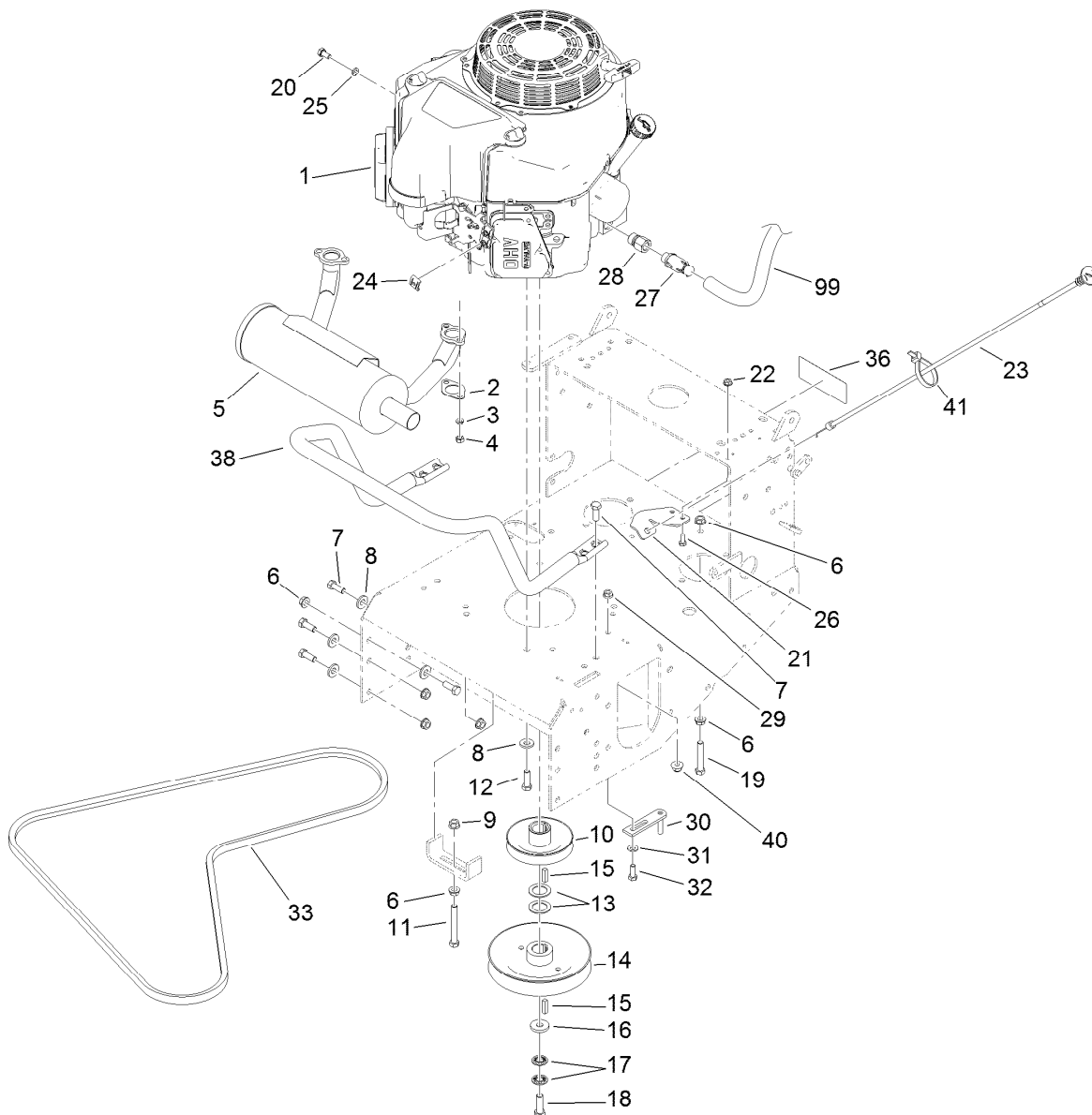


## Engine and Exhaust Assembly

Ref.	Part Number	Qty.	Description	Ref.	Part Number	Qty.	Description
1		1	Engine-Kawasaki, Fs481V-As06 ●■	18	116-3702	1	Screw-HH
2	1-653313	2	Gasket-Exhaust	19	323-11	1	Screw-HH
3	114-3550	4	Washer-Lock, Spring	20	33114-016	1	Screw-HH
4	114-3549	4	Nut	21	103-1797-01	1	Bracket-Cable, Choke
5	116-3734	1	Muffler-Horizontal, Offset	22	32128-33	2	Nut-HF
6	3290-357	11	Nut-HHF, Whiz	23	103-1796	1	Cable-Choke
7	323-6	12	Screw-HH	24	81-1690	1	Clamp-Cable
8	98-5975	12	Washer-Belleville	25	3253-4	1	Washer-Lock
9	32128-21	1	Nut-HF	26	321-3	2	Screw-HH
10	1-653035	1	Pulley	27	120-4321	1	Valve-Drain, Oil
11	323-14	1	Screw-HH	28	103-1966	1	Adapter
12	323-7	4	Screw-HH	29	32128-20	1	Nut-HF
13	1-523157	2	Washer-Spacer	30	1-322110	1	Guide-Belt
14	110-4891	1	Pulley	31	1-303334	1	Washer-Spring
15	1-807259	2	Key	32	322-4	1	Screw-HH
16	1-373034	1	Washer	33	108-6644	1	Belt-V
17	1-603610	2	Washer-Spring	36	98-0776	1	Decal-Caution
				38	116-6278-03	1	Guard-Muffler

● Not serviced separately

■ Obtain parts from [www.kawpowerpc.com](http://www.kawpowerpc.com)



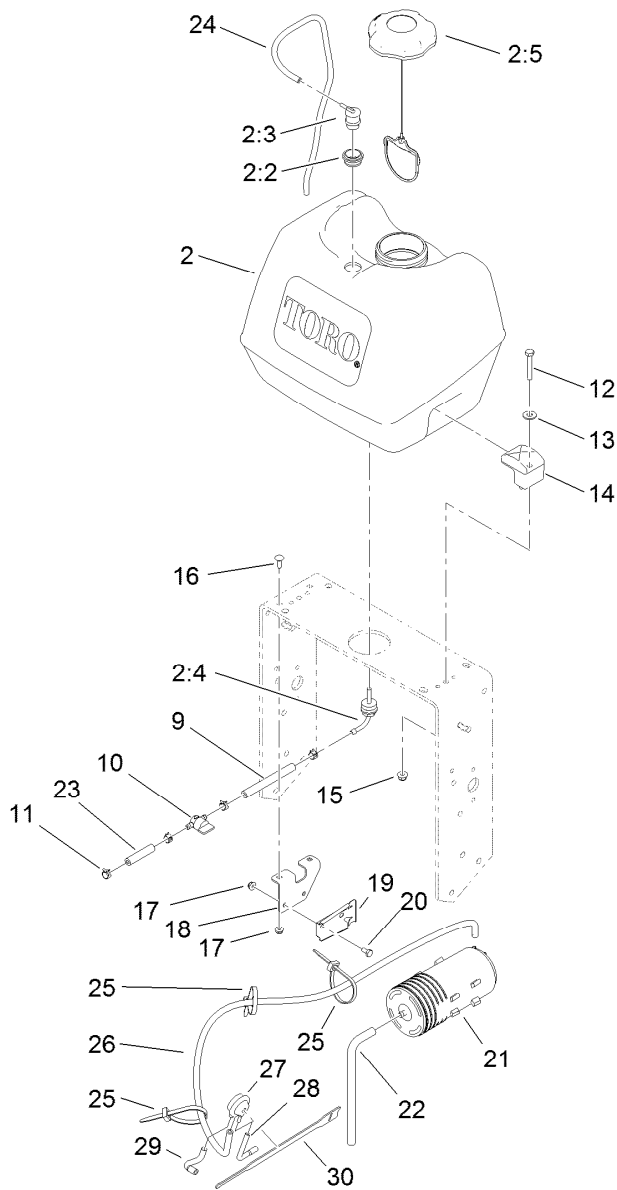
## Engine and Exhaust Assembly (continued)

Ref.	Part Number	Qty.	Description
40	104-8301	4	Nut-Flange, NI

Ref.	Part Number	Qty.	Description
41	1-303287	1	Tie-Cable
99	103-1964	1	Hose-Drain, Oil

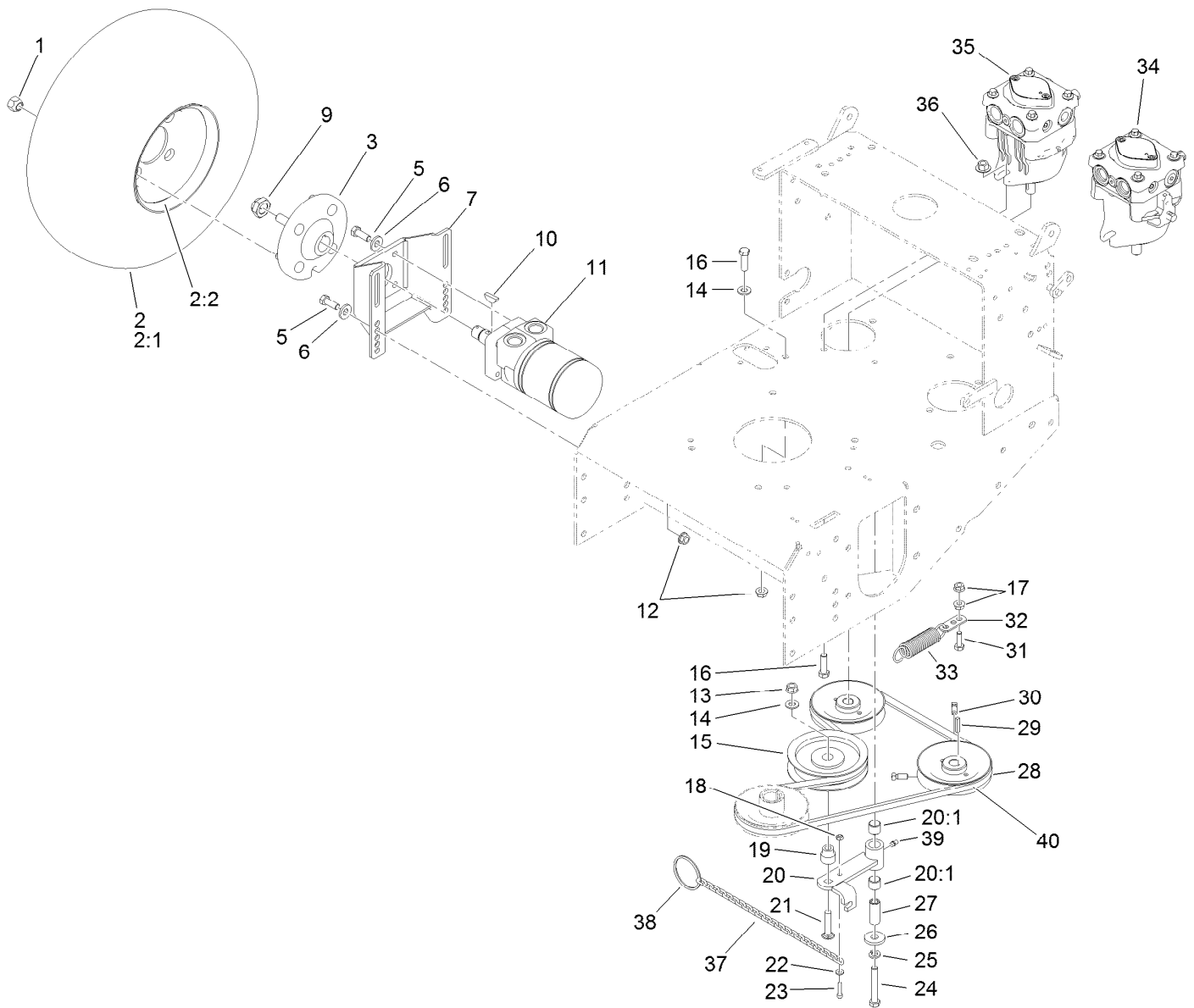
● Not serviced separately

■ Obtain parts from [www.kawpowerpc.com](http://www.kawpowerpc.com)



## Fuel System Assembly

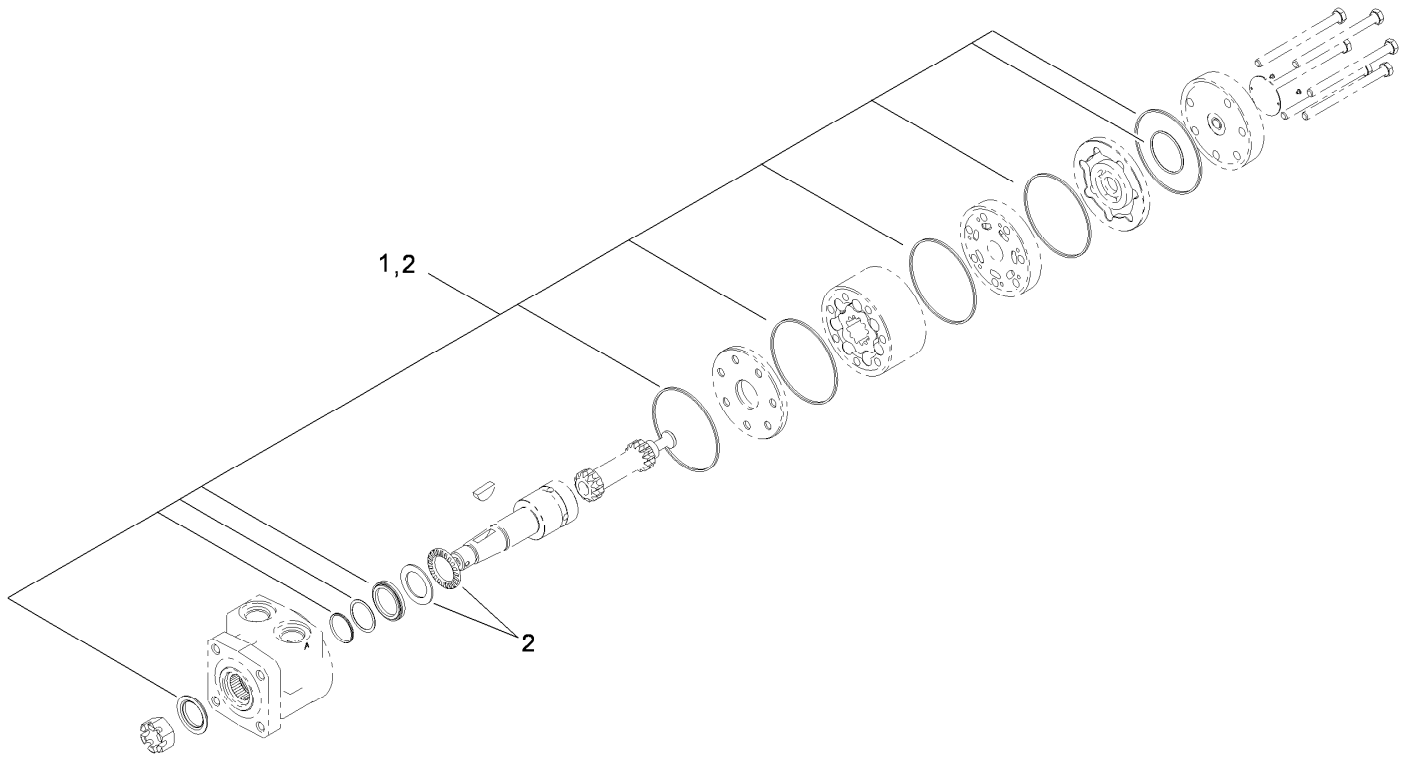
Ref.	Part Number	Qty.	Description	Ref.	Part Number	Qty.	Description
2	126-1526	1	Fuel Tank ASM	18	115-4486-01	1	Bracket-Canister, Carbon
2:2	114-0284	1	Grommet	19	114-0292	1	Bracket-Canister, Carbon
2:3	119-3547	1	Valve-Vent, Fuel	20	321-2	2	Screw-HH
2:4	103-2605	1	Fitting-Fuel, Bulkhead	21	117-1221	1	Canister-Carbon, 800Cc
2:5	120-5461	1	Cap-Fuel, Ratcheting	22	115-0962	1	Hose-Vent, Canister
9	109-0650	1	Hose-Fuel	23	99-9415	1	Hose-Fuel
10	1-603770	1	Valve-Fuel	24	114-0286	1	Hose-Vent
11	2412-98	4	Clamp-Hose	25	3290-378	3	Tie-Cable
12	322-10	2	Screw-HH	26	116-2231	1	Hose-Vent, Formed
13	3256-3	2	Washer-Flat	27	116-2232	1	Valve-Control, Vacuum
14	107-4543	2	Clamp	28	119-8501	1	Hose-Vent, Formed
15	104-8300	2	Nut-Flange, NI	29	119-8502	1	Hose-Vent, Formed
16	3229-1	2	Bolt-CARR	30	116-2469	1	Strap-Velcro, Cable Tie
17	104-7201	4	Nut-HF				



## Pump Drive and Engine Pulley Assembly

Ref.	Part Number	Qty.	Description
1	242-50	8	Nut-Lug
2	130-4553	2	Wheel And Tire ASM
2:1	1-413474	1	Tire-Turfmaster
2:2	130-4567	1	Rim-Wheel,Gray
3	112-9049	2	Wheel Hub ASM
5	323-6	16	Screw-HH
6	98-5975	16	Washer-Belleville
7	103-2289-01	2	Mount-Motor
9	116-2839	2	Nut-Lock
10	1-807019	2	Key-Woodruff
11	1-603718	2	HYD Motor ASM
12	3290-357	9	Nut-HHF, Whiz
13	32128-21	1	Nut-HF
14	3256-24	2	Washer-Flat
15	109-4077	1	Pulley-Idler, Flat
16	323-7	5	Screw-HH
17	32128-20	2	Nut-HF
18	3296-2	1	Nut-Lock, NI
19	1-603496	1	Bushing-Idler
20	1-602521	1	Idler Arm ASM
20:1	103-4681	2	Sleeve-Bearing

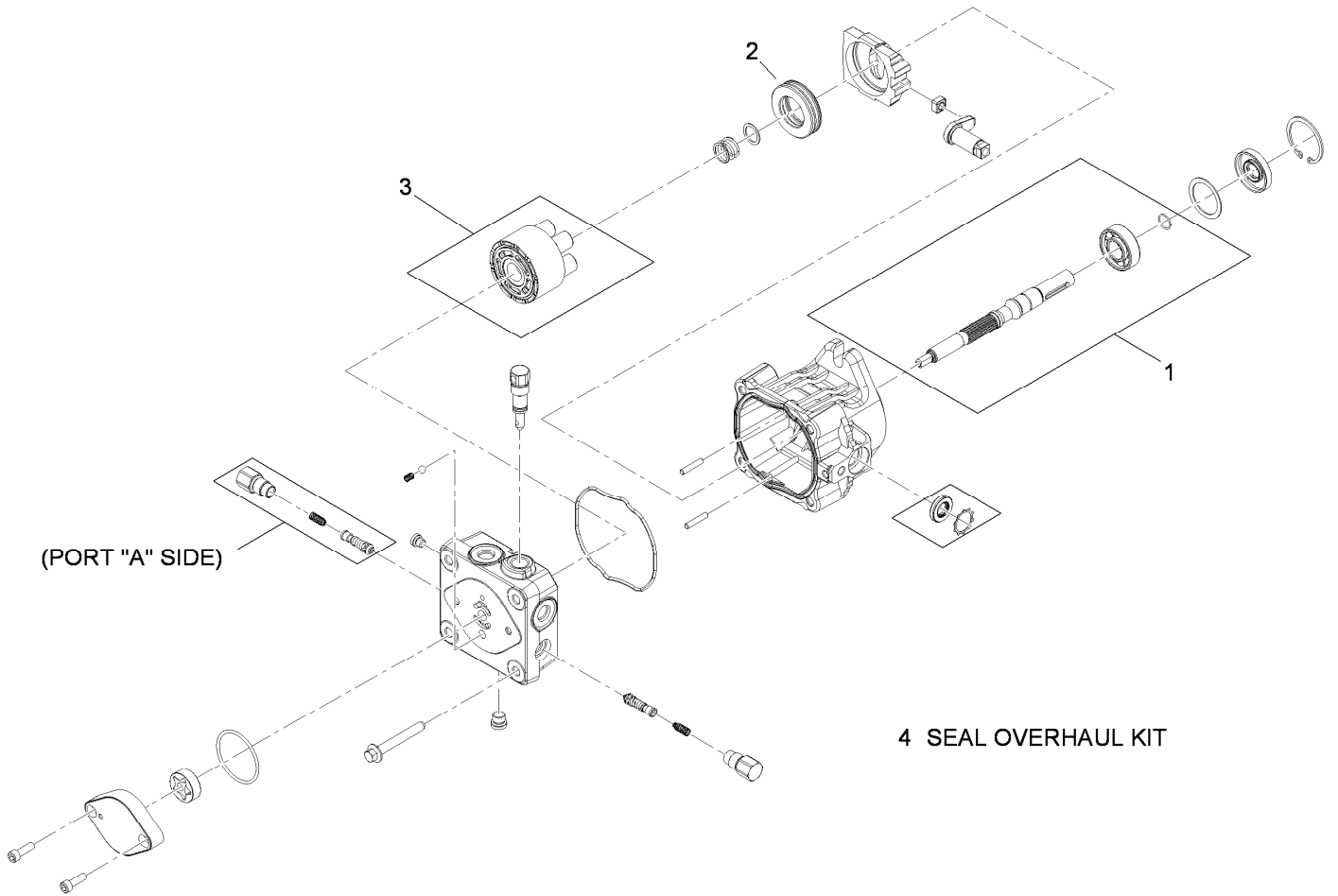
Ref.	Part Number	Qty.	Description
21	3231-29	1	Screw-CARR
22	3256-14	1	Washer-Flat
23	1-809069	1	Screw-HSH
24	323-12	1	Screw-HH
25	3253-21	1	Washer-Lock
26	1-373034	1	Washer
27	1-603044	1	Bushing
28	1-413010	2	Sheave ASM
29	1-807272	2	Key
30	120-6474	4	Screw-Set, SQH
31	322-5	1	Screw-HH
32	1-603801	1	Anchor-Spring
33	1-603402	1	Spring-Extension
34	116-0942	1	LH HYD Pump ASM
35	116-0943	1	RH HYD Pump ASM
36	32128-43	4	Nut-Flange
37	1-323365	1	Chain-Link, Twist
38	1-323366	1	Ring-Split
39	302-19	1	Fitting-Grease
40	106-2740	1	V-Belt



## Hydraulic Wheel Motor Assembly No. 1-603718

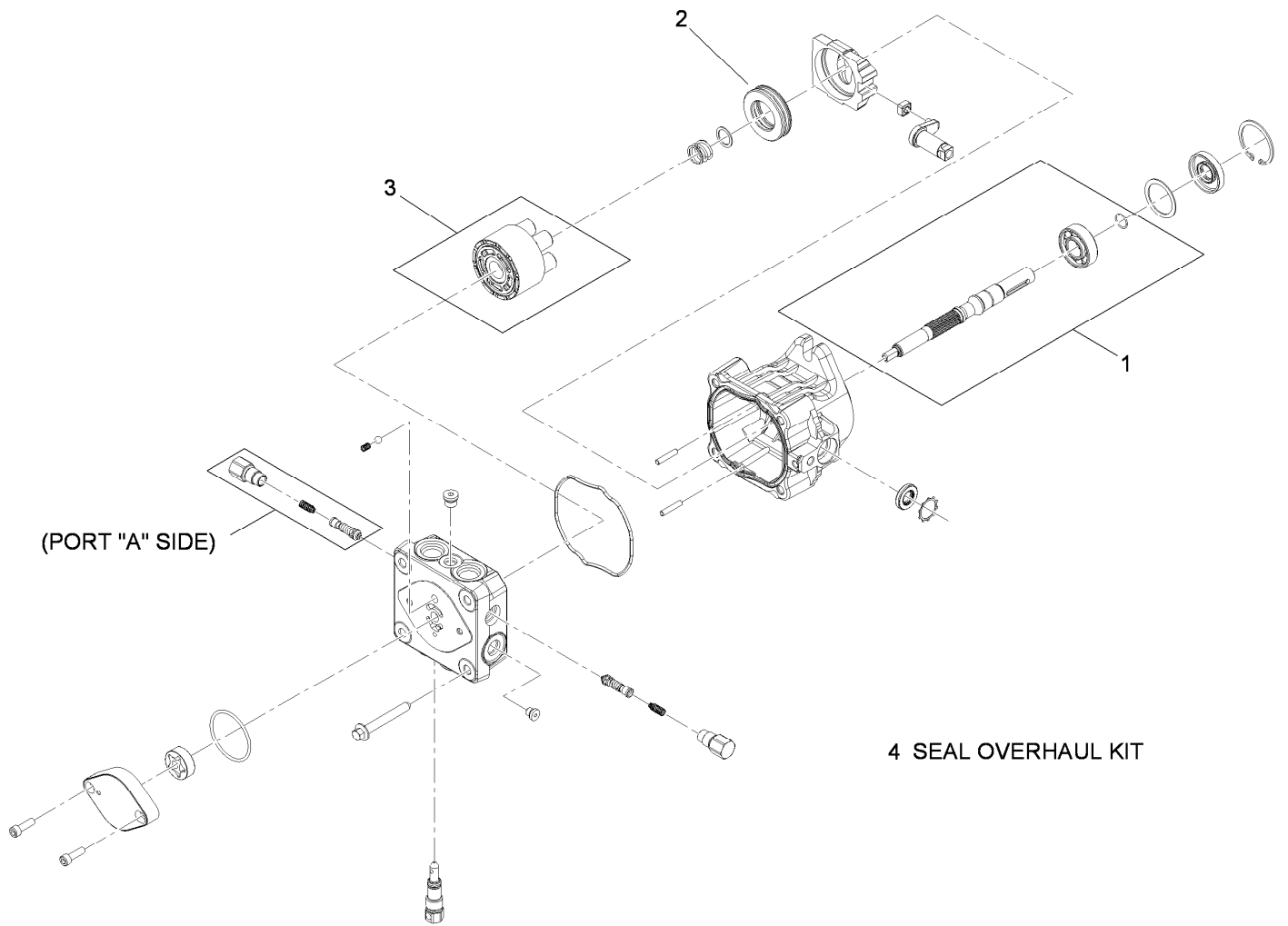
<i>Ref.</i>	<i>Part Number</i>	<i>Qty.</i>	<i>Description</i>
1	1-000119	1	Seal Kit
2	1-000138	1	Bearing And Seal Kit





## LH Hydraulic Pump Assembly No. 116-0942

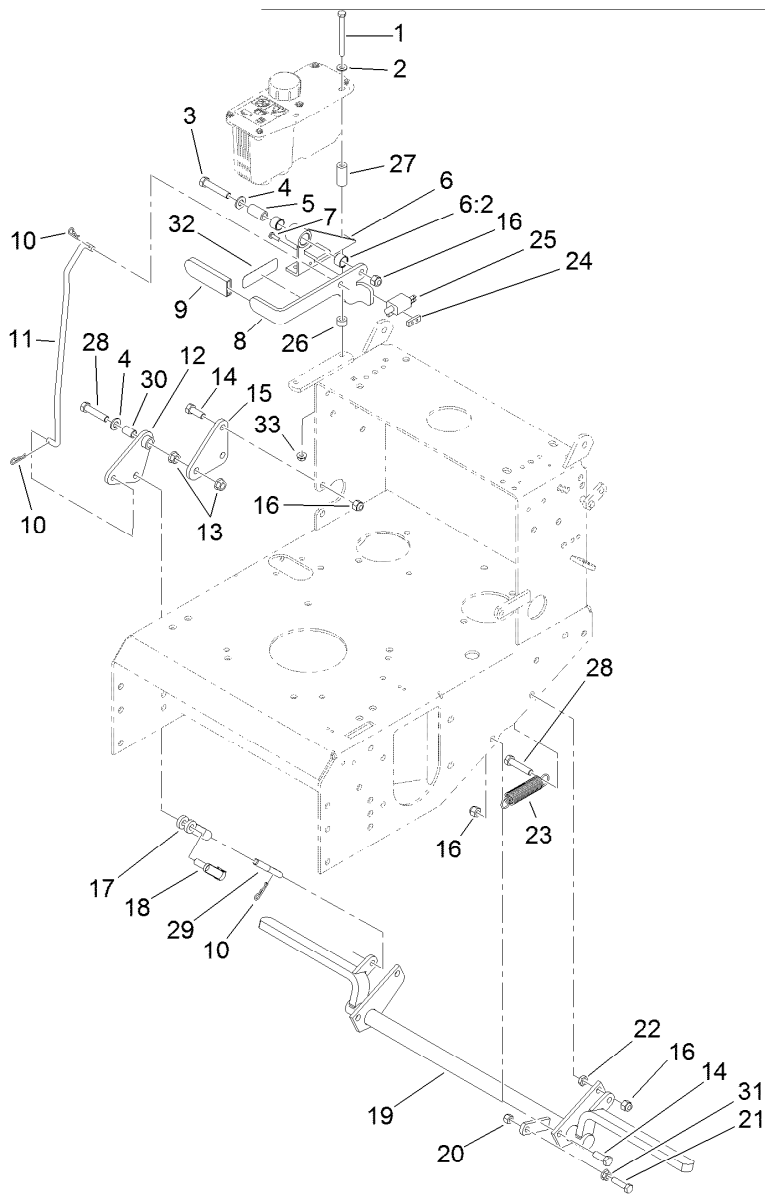
<i>Ref.</i>	<i>Part Number</i>	<i>Qty.</i>	<i>Description</i>
1	103-2664	1	Input Shaft Kit
2	94-6922	1	Bearing-Thrust
3	103-2666	1	Cylinder Block Kit
4	105-6184	1	Seal Overhaul Kit



4 SEAL OVERHAUL KIT

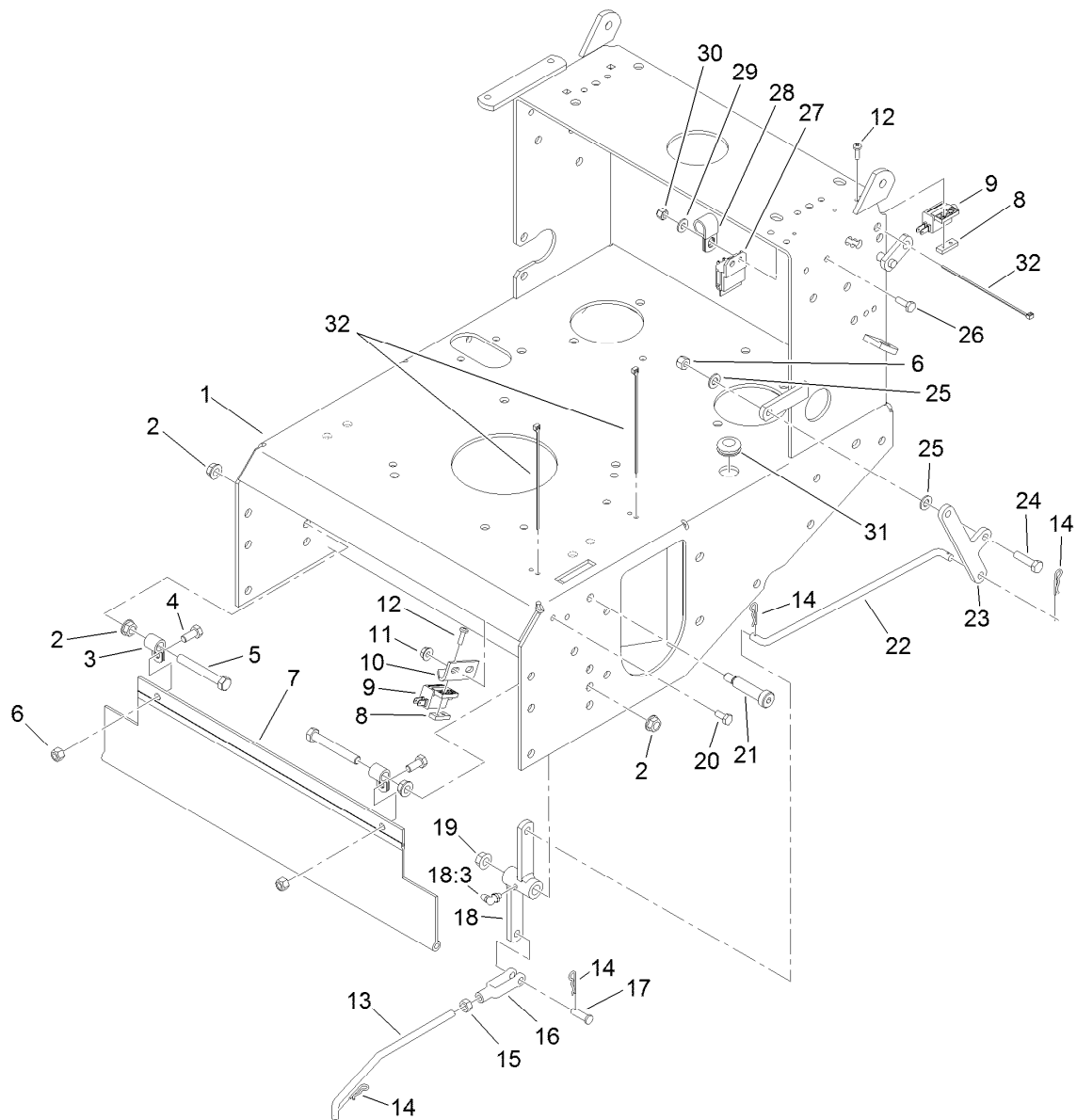
## RH Hydraulic Pump Assembly No. 116-0943

<i>Ref.</i>	<i>Part Number</i>	<i>Qty.</i>	<i>Description</i>
1	103-2664	1	Input Shaft Kit
2	94-6922	1	Bearing-Thrust
3	103-2666	1	Cylinder Block Kit
4	105-6184	1	Seal Overhaul Kit



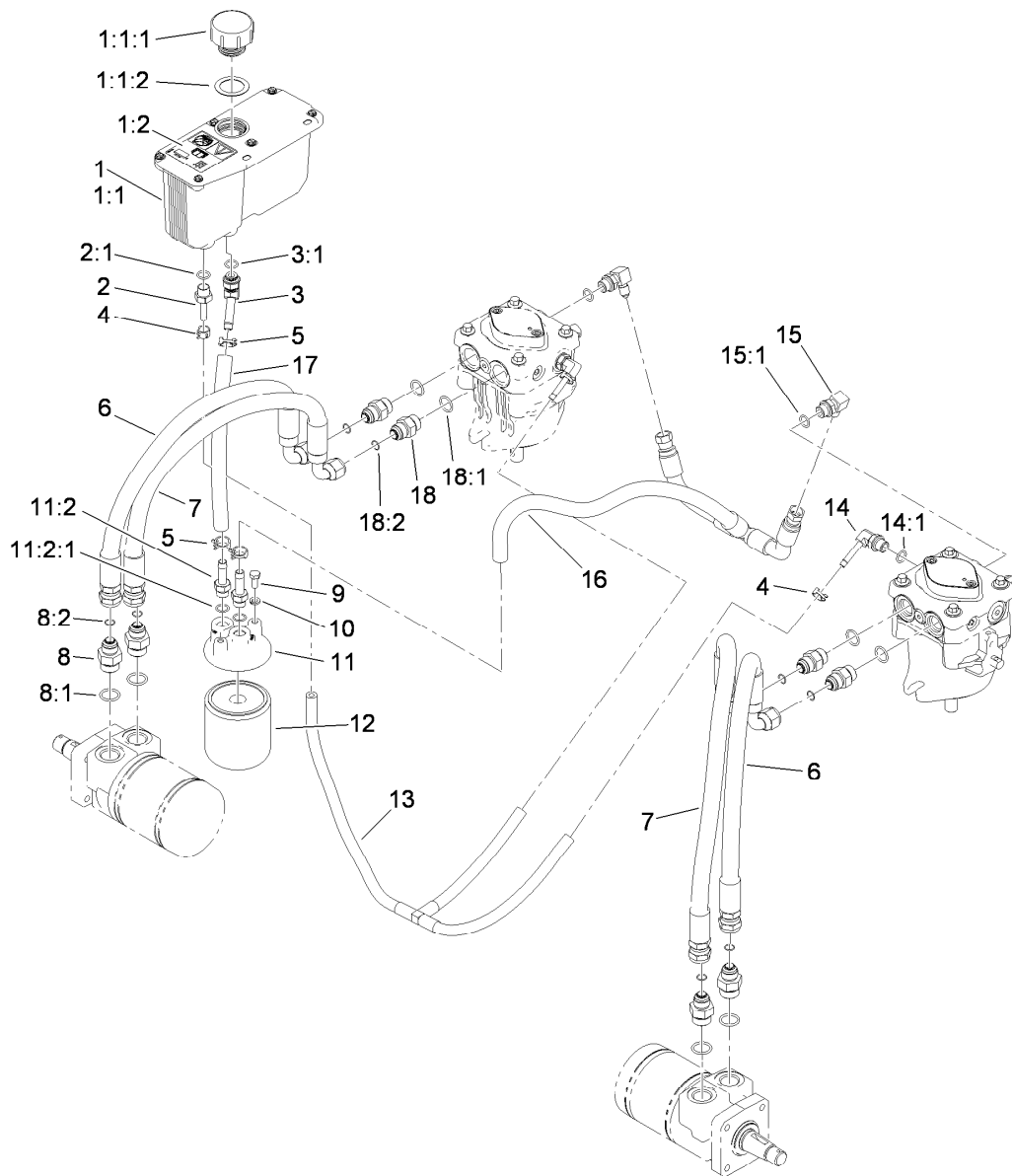
## Parking Brake Assembly

<i>Ref.</i>	<i>Part Number</i>	<i>Qty.</i>	<i>Description</i>	<i>Ref.</i>	<i>Part Number</i>	<i>Qty.</i>	<i>Description</i>
1	321-23	2	Screw-HH	17	1-633131	1	Yoke-Linkage, Brake
2	3256-22	2	Washer-Flat	18	103-2399	1	Pin-Spring, Clevis
3	323-10	1	Screw-HH	19	116-9158	1	Brake
4	3256-24	2	Washer-Flat	20	3296-29	1	Nut-Lock, NI
5	1-413344	1	Bushing-Pivot	21	116-3515	1	Screw-HH, Special
6	1-414504	1	Bracket ASM	22	3218-3	1	Nut-Jam
6:2	1-413347	2	Sleeve-Bushing	23	1-323161	1	Spring-Idler
7	3290-500	2	Screw-PPH	24	1-633181	1	Plate-Tapped
8	116-1725-03	1	Lever-Brake, Park	25	1-513051	1	Switch-Open, Normally
9	1-303020	1	Grip-Lever	26	1-323549	2	Spacer
10	1-806003	3	Pin-Cotter, Hair	27	103-2191	2	Spacer
11	1-413496	1	Linkage-Upper	28	323-9	2	Screw-HH
12	1-414508	1	Bellcrank ASM	29	1-413489	1	Linkage-Lower
13	32128-21	2	Nut-HF	30	1-303548	1	Bushing-Plastic
14	323-6	5	Screw-HH	31	32128-20	1	Nut-HF
15	1-413497	1	Bellcrank	32	103-2103	1	Decal-Brake, Park
16	3296-39	7	Nut-Lock, NI	33	32128-33	2	Nut-HF



## Deck Engagement Assembly

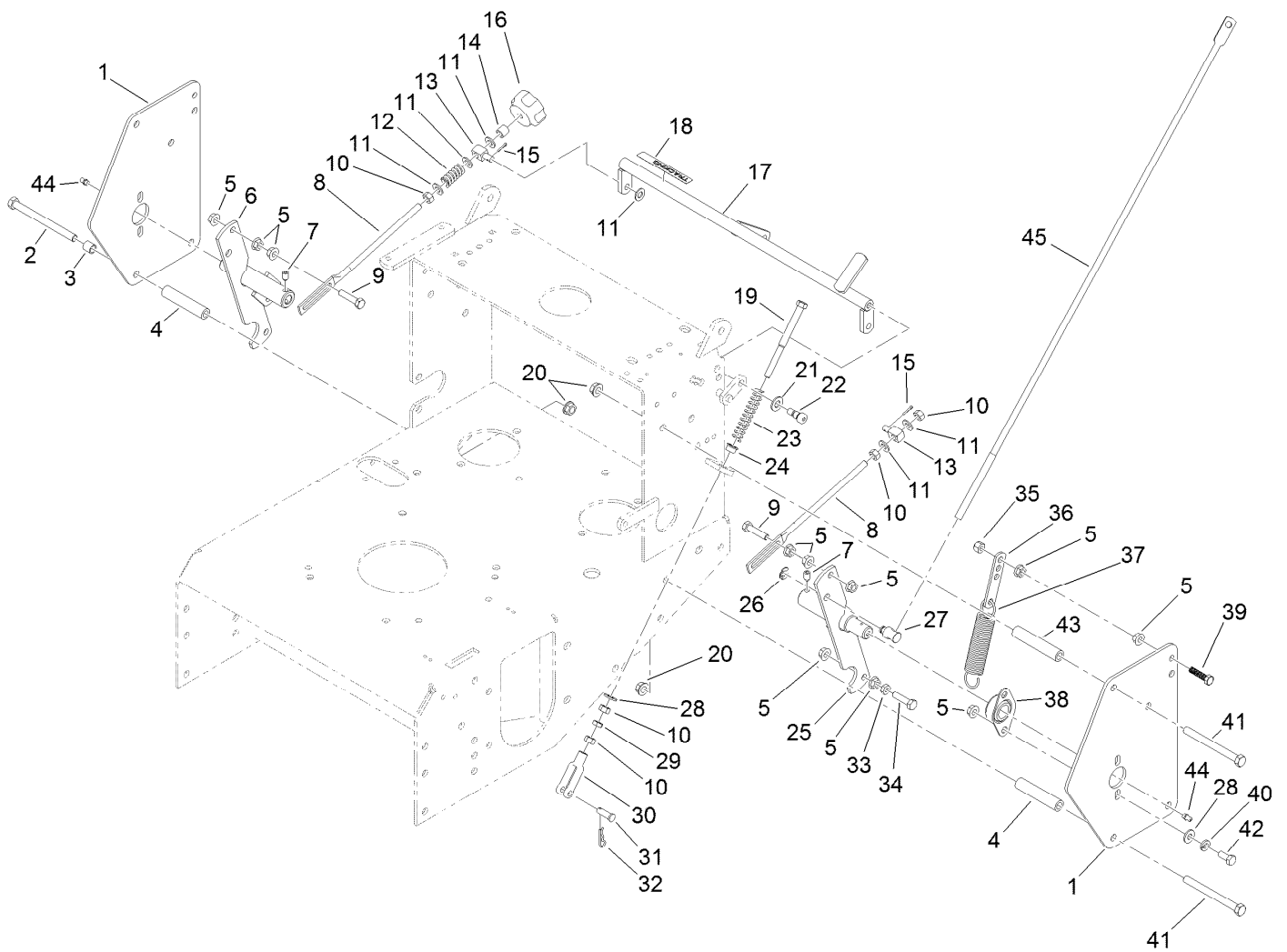
<i>Ref.</i>	<i>Part Number</i>	<i>Qty.</i>	<i>Description</i>	<i>Ref.</i>	<i>Part Number</i>	<i>Qty.</i>	<i>Description</i>
1	116-6086-01	1	Frame	18	1-322108	1	Bellcrank ASM
2	3290-357	4	Nut-HHF, Whiz	18:3	302-40	1	Fitting-Grease
3	1-413510	2	Clip-Loom	19	32128-21	1	Nut-HF
4	322-3	2	Screw-HH	20	321-3	2	Screw-HH
5	323-13	2	Screw-HH	21	1-809062	1	Screw
6	3296-29	3	Nut-Lock, NI	22	1-323172	1	Linkage-Engage, Blade
7	103-2056	1	Shield-Drag	23	116-1737-01	1	Bellcrank
8	1-633181	2	Plate-Tapped	24	322-6	1	Screw-HH
9	1-513051	2	Switch-Open, Normally	25	3256-23	2	Washer-Flat
10	1-323213	1	Bracket-Switch, Blade	26	321-4	1	Screw-HH
11	32128-33	2	Nut-HF	27	1-323430	1	Module-Interlock
12	3290-500	4	Screw-PPH	28	1-603727	1	Clip-Loom
13	1-323174	1	Arm-Linkage, Assist	29	3256-22	1	Washer-Flat
14	1-806003	4	Pin-Cotter, Hair	30	3296-42	1	Nut-Lock, NI
15	3219-2	1	Nut-Hex	31	1-543296	1	Grommet
16	1-303105	1	Yoke-Adjustable	32	1-303287	3	Tie-Cable
17	1-808280	1	Pin-Clevis				



## Hydraulic System Assembly

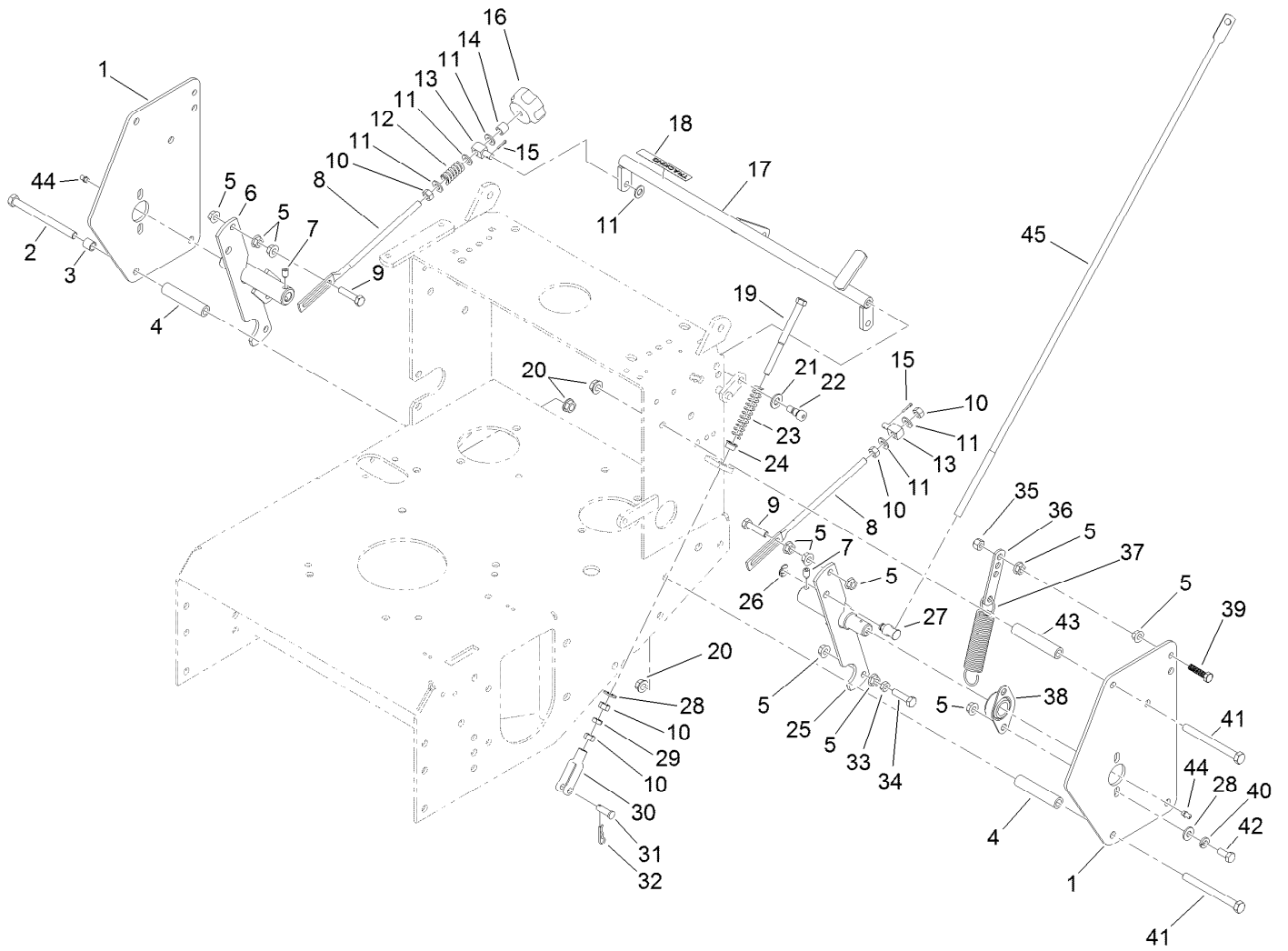
Ref.	Part Number	Qty.	Description	Ref.	Part Number	Qty.	Description
1	107-8433	1	HYD Reservoir ASM	9	321-3	2	Screw-HH
1:1		1	Reservoir-HYD ●	10	1-805004	2	Washer-Lock
1:1:1	103-1948	1	Cap-Reservoir, HYD	11	103-2889	1	Filter Head ASM
1:1:2	103-1949	1	Gasket-Cap	11:2	103-1912	2	Adapter-Straight
1:2	115-4212	1	Decal-Warning	11:2:1	237-42	1	O-Ring
2	103-1801	1	Adapter-Straight	12	1-633750	1	Filter-Oil, HYD
2:1	237-42	1	O-Ring	13	116-0918	1	Case Drain Hose ASM
3	103-1807	1	Fitting-Barbed, 45 DEG	14	103-1799	2	Elbow-90 DEG
3:1	237-42	1	O-Ring	14:1	237-42	1	O-Ring
4	103-1716	3	Clamp-Hose	15	103-1802	2	Fitting-HYD, 90 DEG
5	103-1988	3	Clamp-Hose	15:1	1-603921	1	O-Ring
6	119-7827	2	HYD Hose ASM	16	116-2123	1	Charge Hose ASM
7	119-7826	2	HYD Hose ASM	17	103-2959	1	Hose-Charge
8	1-603991	4	Fitting-Straight	18	1-603990	4	Fitting-Straight
8:1	237-80	1	O-Ring	18:1	1-603920	1	O-Ring
8:2	1-603992	1	O-Ring	18:2	1-603992	1	O-Ring

● Not serviced separately



## Lower Control Assembly

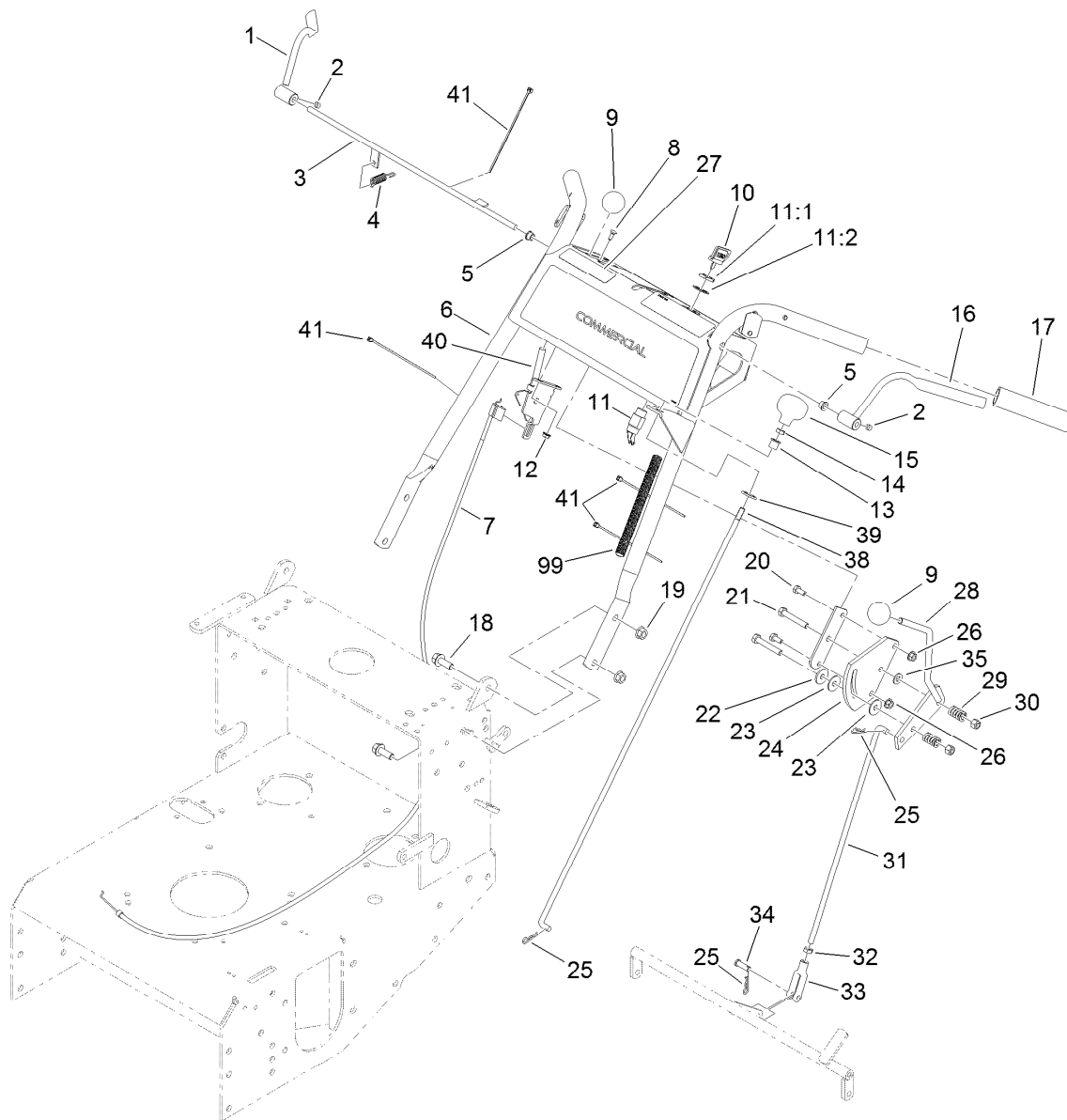
Ref.	Part Number	Qty.	Description	Ref.	Part Number	Qty.	Description
1	110-4897-01	2	Shield-Control	22	1-809056	2	Screw-HSH
2	323-23	1	Screw-HH	23	1-603807	2	Spring-Return, Neutral
3	103-1166	1	Spacer-Tube, Pump Link	24	1-603735	2	Bushing-Flanged
4	1-323197-01	4	Spacer-Shield	25	103-1190-01	1	Shaft-Control, LH
5	32128-20	18	Nut-HF	26	32151-47	2	Ring-Retaining
6	103-4796-01	1	Shaft-Control, RH	27	103-1235	2	Swivel-Lever, Drive
7	3246-4	2	Screw-Set	28	3256-2	6	Washer-Flat
8	1-413350	2	Link-Control, Speed	29	3220-2	2	Nut-Jam
9	1-403180	2	Screw-HH	30	1-303105	2	Yoke-Adjustable
10	3219-2	7	Nut-Hex	31	1-808280	2	Pin-Clevis
11	3256-23	7	Washer-Flat	32	1-806003	2	Pin-Cotter, Hair
12	1-323245	1	Spring-Compression	33	3218-2	2	Nut-Jam
13	1-603676	2	Swivel-Adjustable, Short	34	116-3515	2	Screw-HH, Special
14	1-603903	1	Spacer	35	3296-29	2	Nut-Lock, NI
15	3272-5	2	Pin-Cotter	36	1-613089	2	Tab-Spring, Extension
16	103-3060	1	Knob-Tracking	37	1-603693	2	Spring-Extension
17	1-412203-01	1	Crank-Control, Speed	38	1-633102	2	Bearing-Flange, Side
18	105-4109	1	Decal-Tracking	39	1-800016	2	Bolt-TAP, HH
19	1-603737	2	Bolt-Return, Neutral	40	1-805005	4	Washer-Lock
20	3290-357	8	Nut-HHF, Whiz	41	323-16	7	Screw-HH
21	3256-24	2	Washer-Flat	42	322-3	4	Screw-HH



## Lower Control Assembly (continued)

<i>Ref.</i>	<i>Part Number</i>	<i>Qty.</i>	<i>Description</i>
43	1-323195-01	4	Spacer-Shield

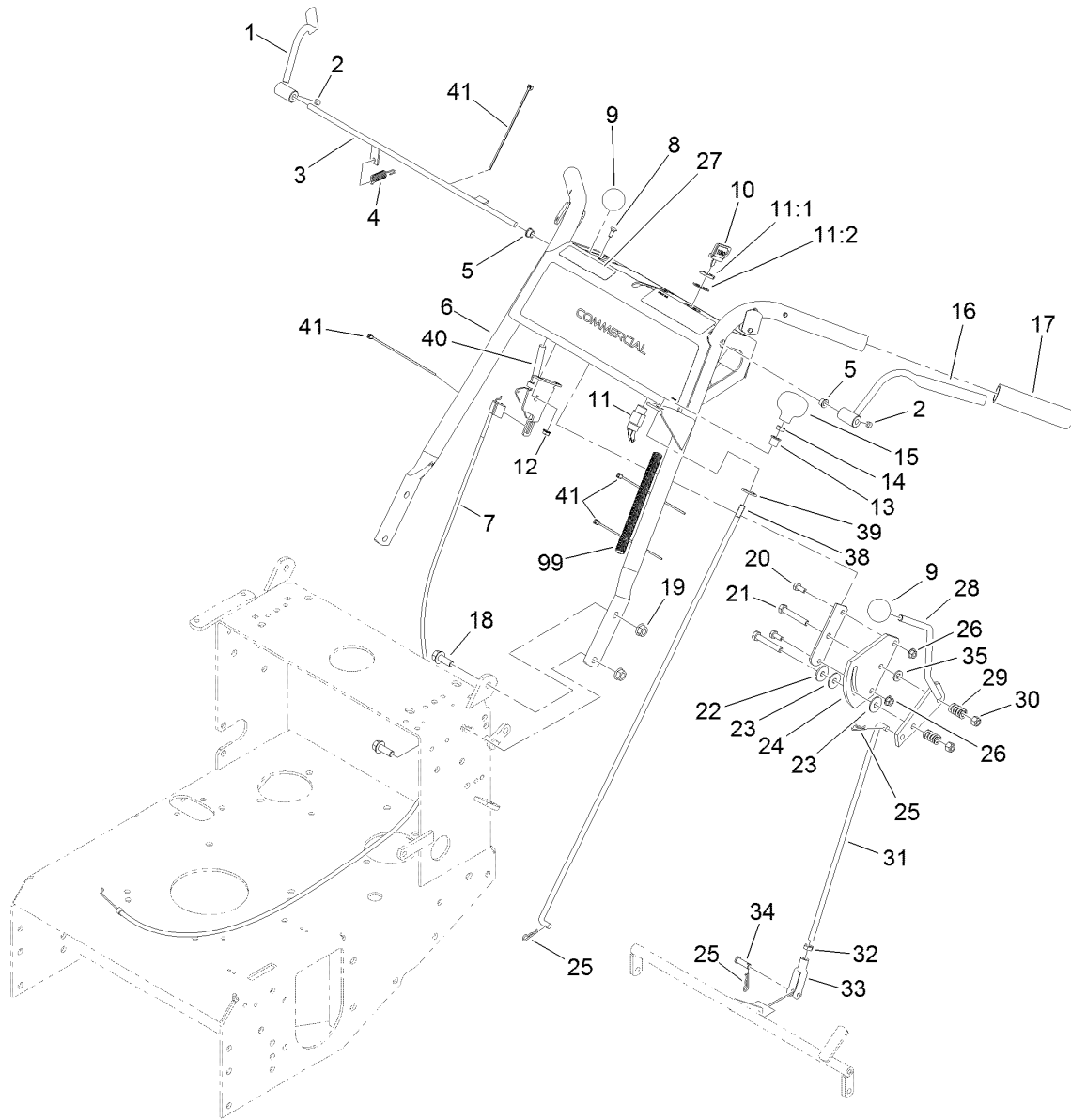
<i>Ref.</i>	<i>Part Number</i>	<i>Qty.</i>	<i>Description</i>
44	302-19	2	Fitting-Grease
45	1-413219	2	Rod-Lever, Drive



## Upper Control Assembly

Ref.	Part Number	Qty.	Description	Ref.	Part Number	Qty.	Description
1	106-5486	1	RH Operator Presence Control Lever ASM	17	104-9838	2	Grip-Foam
2	1-803322	2	Screw-Set	18	3234-11	4	Screw-HHF
3	106-2717-03	1	Rod-Control, Operator Presence	19	32128-21	4	Nut-HF
4	1-303363	1	Spring-Extension	20	321-3	2	Screw-HH
5	1-303365	2	Bushing-Nylon	21	322-10	2	Screw-HH
6	119-6538	1	Handle ASM	22	1-603716	1	Washer-Friction
7	119-1823	1	Cable-Control, Throttle	23	1-323244	2	Washer-Friction
8	1-807513	2	Bolt-CARR	24	1-603730	1	Plate-Lever, Shifter
9	1-603175	2	Knob-Ball	25	1-806003	3	Pin-Cotter, Hair
10	63-8360	1	Key-Ignition	26	32128-33	2	Nut-HF
11	29-5560	1	Switch-On / Off	27	117-2718	1	Decal-Arrester, Spark
11:1	218-461	1	Nut-HH	28	106-2748	1	Lever-Shift
11:2	3254-5	1	Washer-Tooth, Internal	29	1-323245	2	Spring-Compression
12	32128-17	2	Nut-Lock, Flange	30	3296-29	2	Nut-Lock, NI
13	1-323143	1	Bearing-Nylon	31	1-323522	1	Rod-Control, Speed
14	3218-2	1	Nut-Jam	32	3220-2	1	Nut-Jam
15	1-323134	1	Knob-Push / Pull	33	1-303105	1	Yoke-Adjustable
16	106-5485	1	LH Operator Presence Control Lever ASM	34	1-808280	1	Pin-Clevis
				35	3256-23	1	Washer-Flat
				38	1-323181	1	Linkage-Blade
				39	1-323142	1	Nut-Push

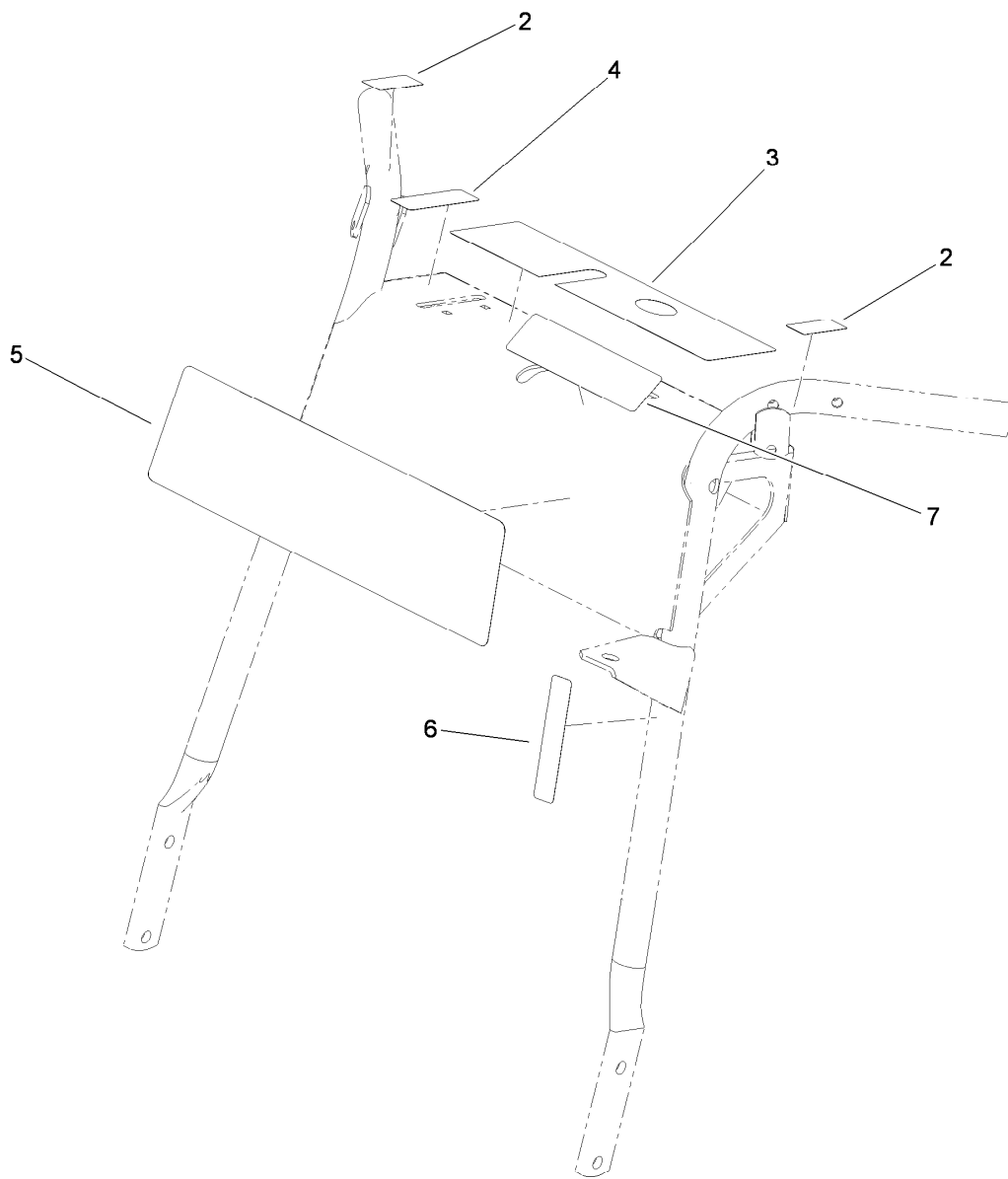




## Upper Control Assembly (continued)

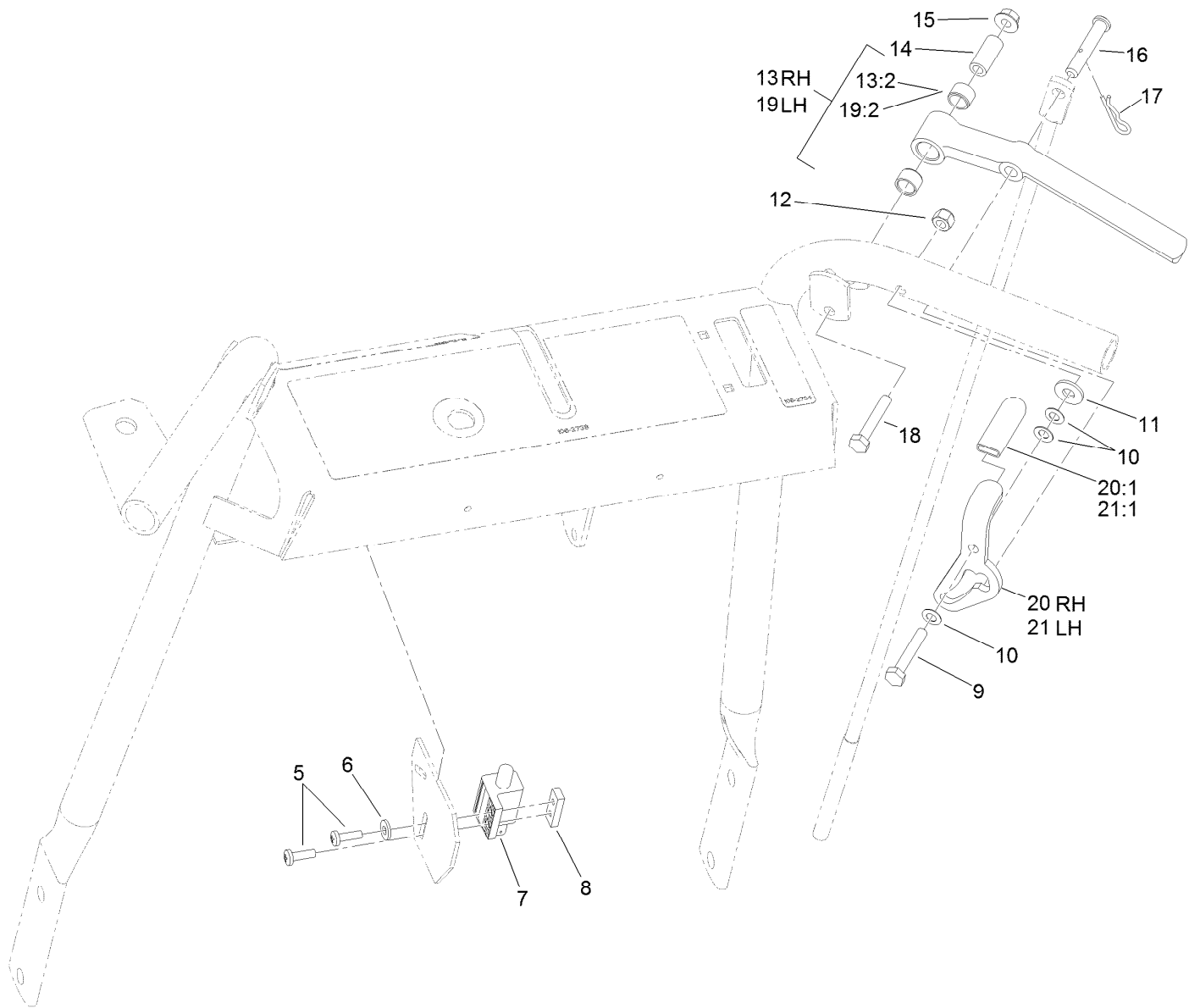
<i>Ref.</i>	<i>Part Number</i>	<i>Qty.</i>	<i>Description</i>
40	110-5547	1	Lever-Control

<i>Ref.</i>	<i>Part Number</i>	<i>Qty.</i>	<i>Description</i>
41	1-303287	4	Tie-Cable
99	116-2611	1	Harness-Wiring



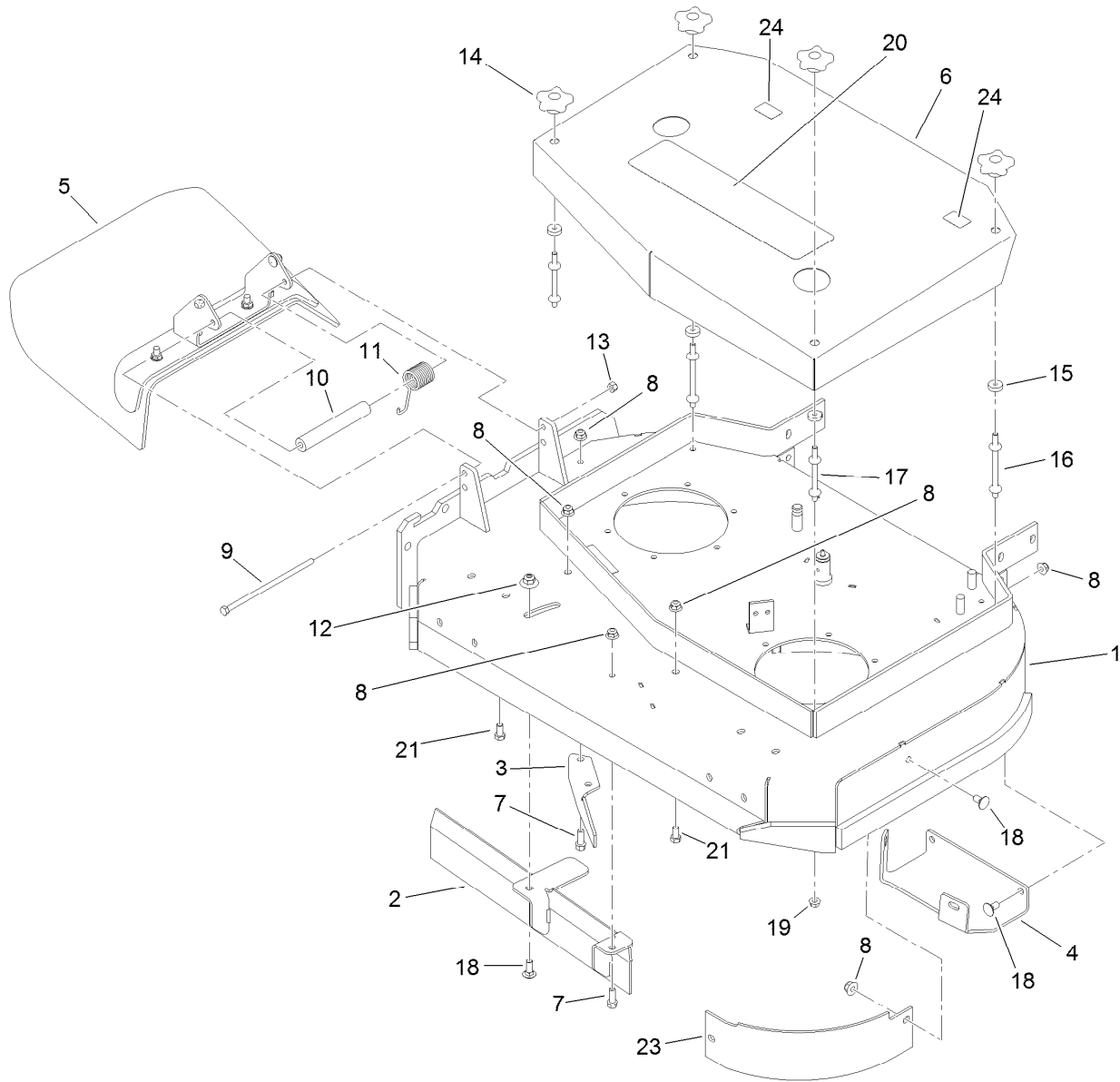
## Handle Assembly No. 119-6538

<i>Ref.</i>	<i>Part Number</i>	<i>Qty.</i>	<i>Description</i>
2	105-4110	2	Decal-Lock, Neutral
3	106-2738	1	Decal-Warning
4	106-2733	1	Decal-Throttle
5	110-6917	1	Decal
6	95-5537	1	Decal-Engage, Deck
7	106-2743	1	Decal-Caution, Brake



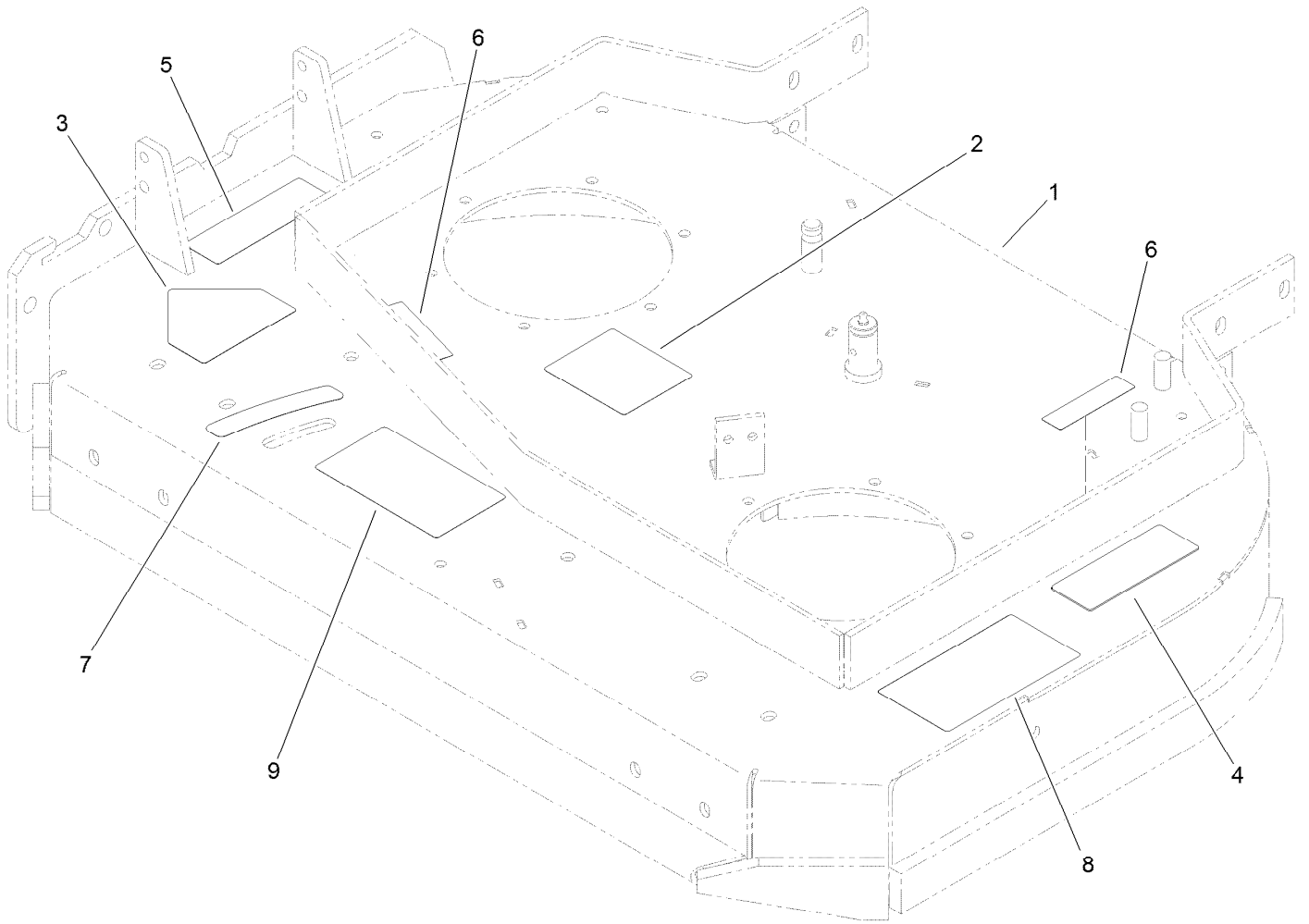
## Drive Lever Assembly

Ref.	Part Number	Qty.	Description	Ref.	Part Number	Qty.	Description
5	3290-500	2	Screw-PPH	15	32128-33	2	Nut-HF
6	3256-14	1	Washer-Flat	16	1-613055	2	Pin-Clevis
7	1-513051	1	Switch-Open, Normally	17	1-806003	2	Pin-Cotter, Hair
8	1-633181	1	Plate-Tapped	18	321-9	2	Screw-HH
9	321-10	2	Screw-HH	19	103-0218	1	LH Drive Lever ASM
10	1-303435	6	Washer-Spring	19:2	1-413152	2	Bushing-Sleeve
11	3256-2	2	Washer-Flat	20	1-612168	1	RH Latch And Grip ASM
12	3296-42	2	Nut-Lock, NI	20:1	1-303019	1	Grip-Latch
13	103-0219	1	RH Drive Lever ASM	21	1-612167	1	LH Latch Grip ASM
13:2	1-413152	2	Bushing-Sleeve	21:1	1-303019	1	Grip-Latch
14	1-603749	2	Bushing-Lever, Drive				



## Deck Assembly

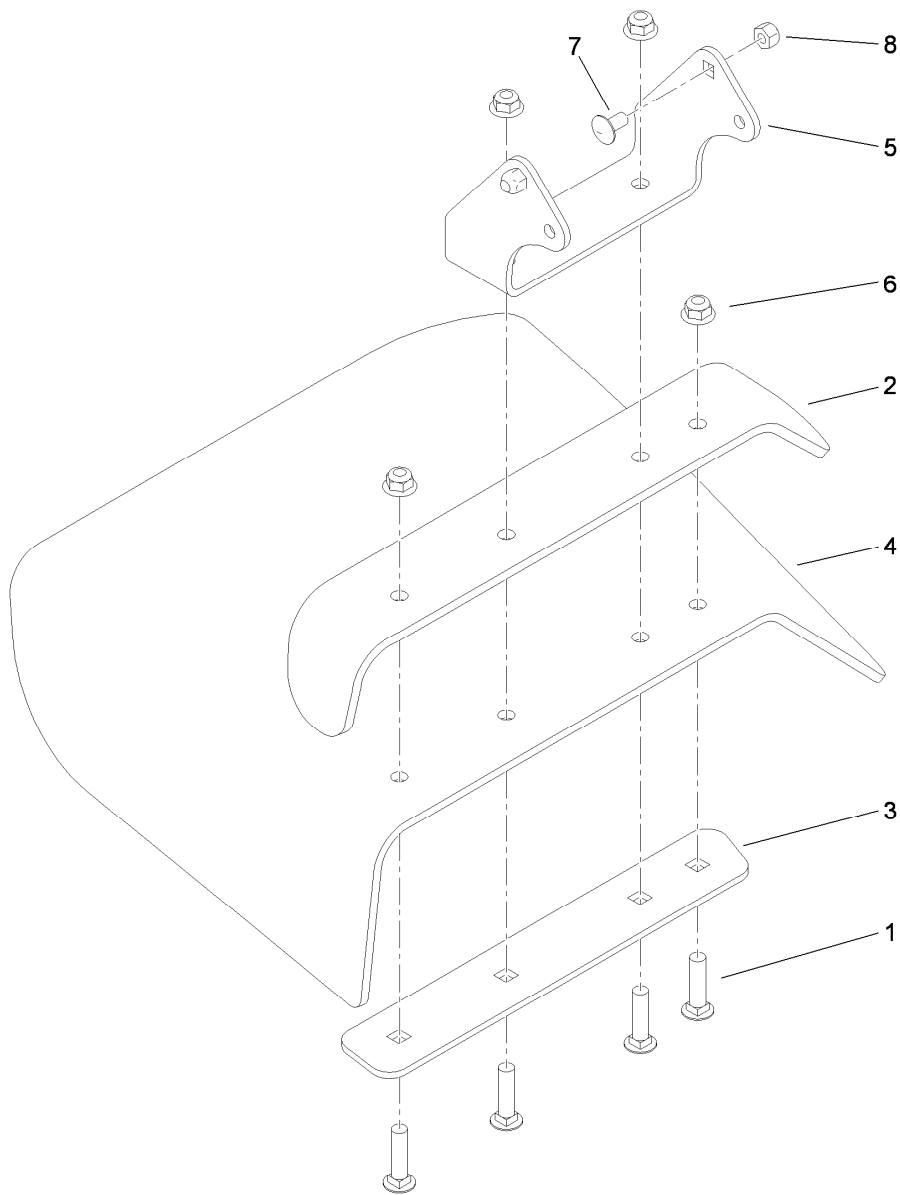
<i>Ref.</i>	<i>Part Number</i>	<i>Qty.</i>	<i>Description</i>	<i>Ref.</i>	<i>Part Number</i>	<i>Qty.</i>	<i>Description</i>
1	110-4907	1	Deck ASM	13	3296-47	1	Nut-Lock, NI
2	121-1777-03	1	Baffle	14	106-4161	4	Knob-Handle
3	110-0754-01	1	Baffle-Discharge	15	1-323417	4	Washer
4	110-2037-01	1	Plate-Skid	16	1-303536	2	Stud-Shield, Belt (Long)
5	119-6530	1	Deflector ASM	17	1-303537	2	Stud-Shield, Belt (Short)
6	110-2036-01	1	Cover-Deck	18	3231-2	6	Bolt-CARR
7	92-1624	3	Screw-HWH	19	32128-20	4	Nut-HF
8	104-8301	10	Nut-Flange, NI	20	112-9710	1	Decal
9	322-50	1	Screw-HH	21	323-4	2	Screw-HH
10	105-4622	1	Spacer	23	110-6903-03	1	Baffle-Front, LH
11	108-4052	1	Spring-Torsion	24	103-2076	2	Decal-Caution
12	109-6658	1	Nut-Flange, NI				



## Deck Decal Assembly No. 110-4907

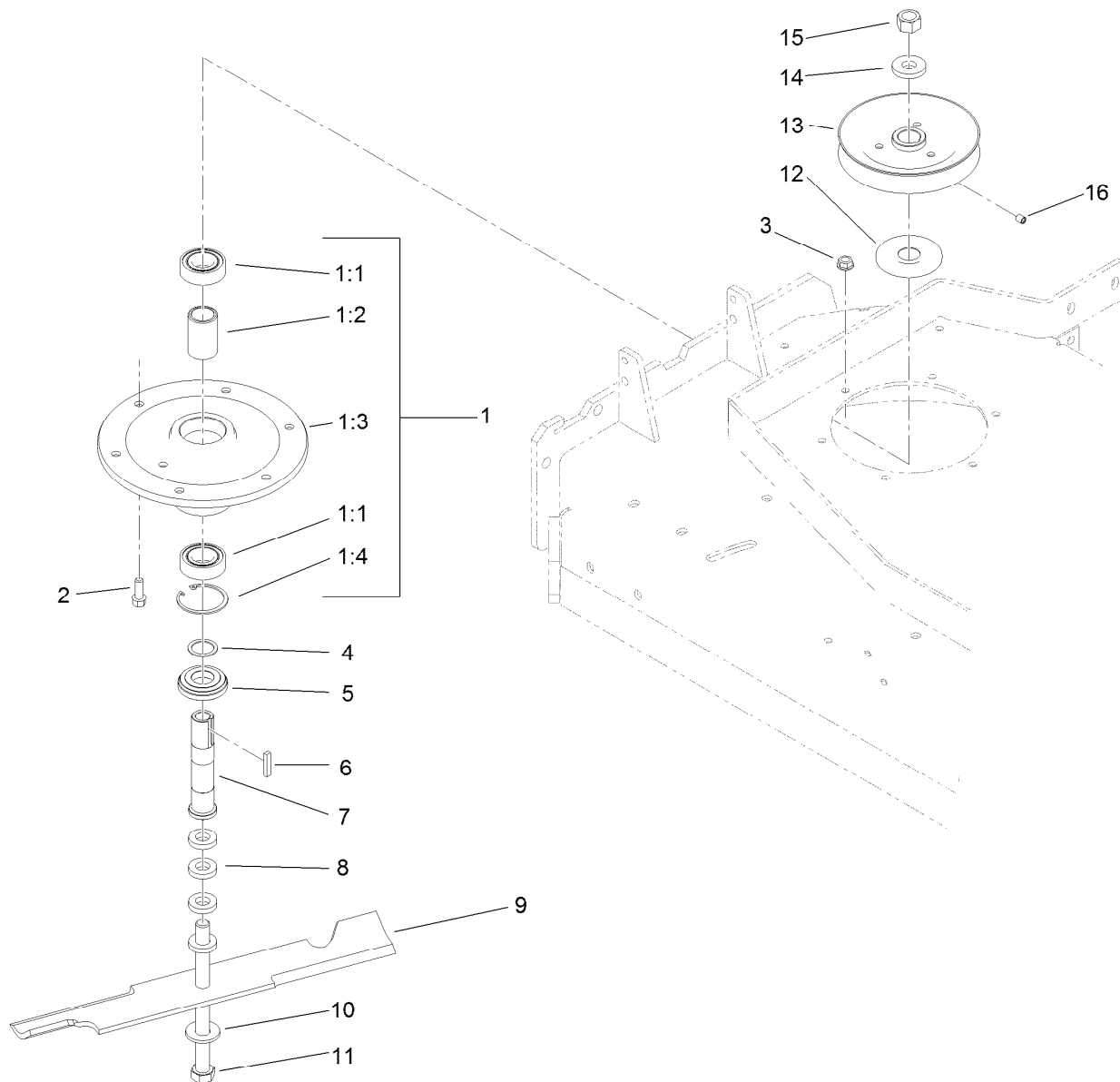
Ref.	Part Number	Qty.	Description
1		1	36 Inch Deck ASM ●
2	98-3296	1	Decal-Routing, Belt
3	1-403005	1	Decal-Danger
4	98-5130	1	Decal-Torque, Bolt
5	104-8569	1	Decal-Warning
6	98-5954	2	Decal-Missing Cover
7	110-2067	1	Decal-Setting, Baffle
8	66-1340	1	Decal-Danger, Thrown Object
9	110-2068	1	Decal-Adjustment, Baffle

● Not serviced separately



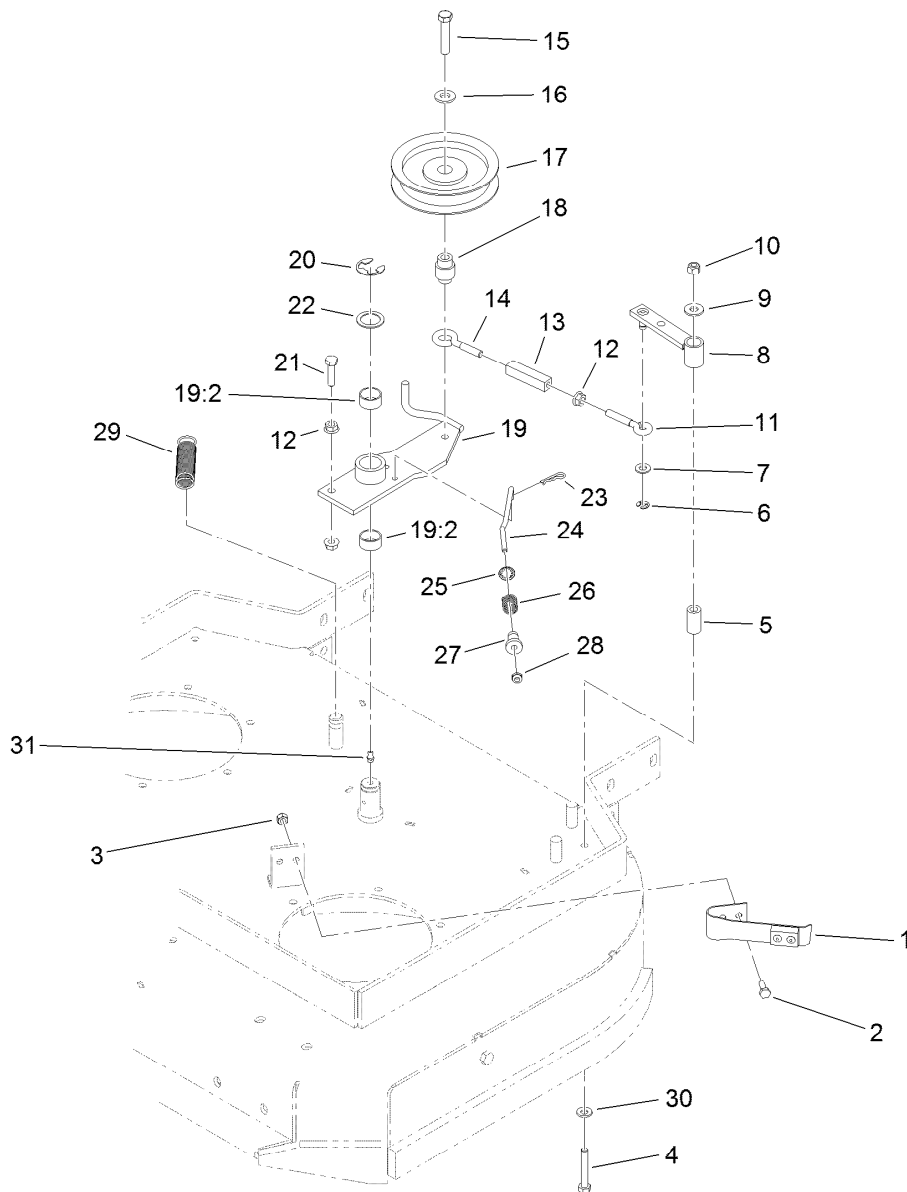
## Deflector Assembly No. 119-6530

<i>Ref.</i>	<i>Part Number</i>	<i>Qty.</i>	<i>Description</i>
1	3231-4	4	Screw-CARR
2	110-0792-01	1	Deflector
3	110-0793-03	1	Strap-Discharge
4	110-0791	1	Deflector-Rubber
5	119-6532-01	1	Bracket-Mounting, Deflector
6	104-8301	4	Nut-Flange, NI
7	3230-18	2	Screw-CARR
8	3296-29	2	Nut-Lock, NI



## Sheave, Spindle and Blade Assembly

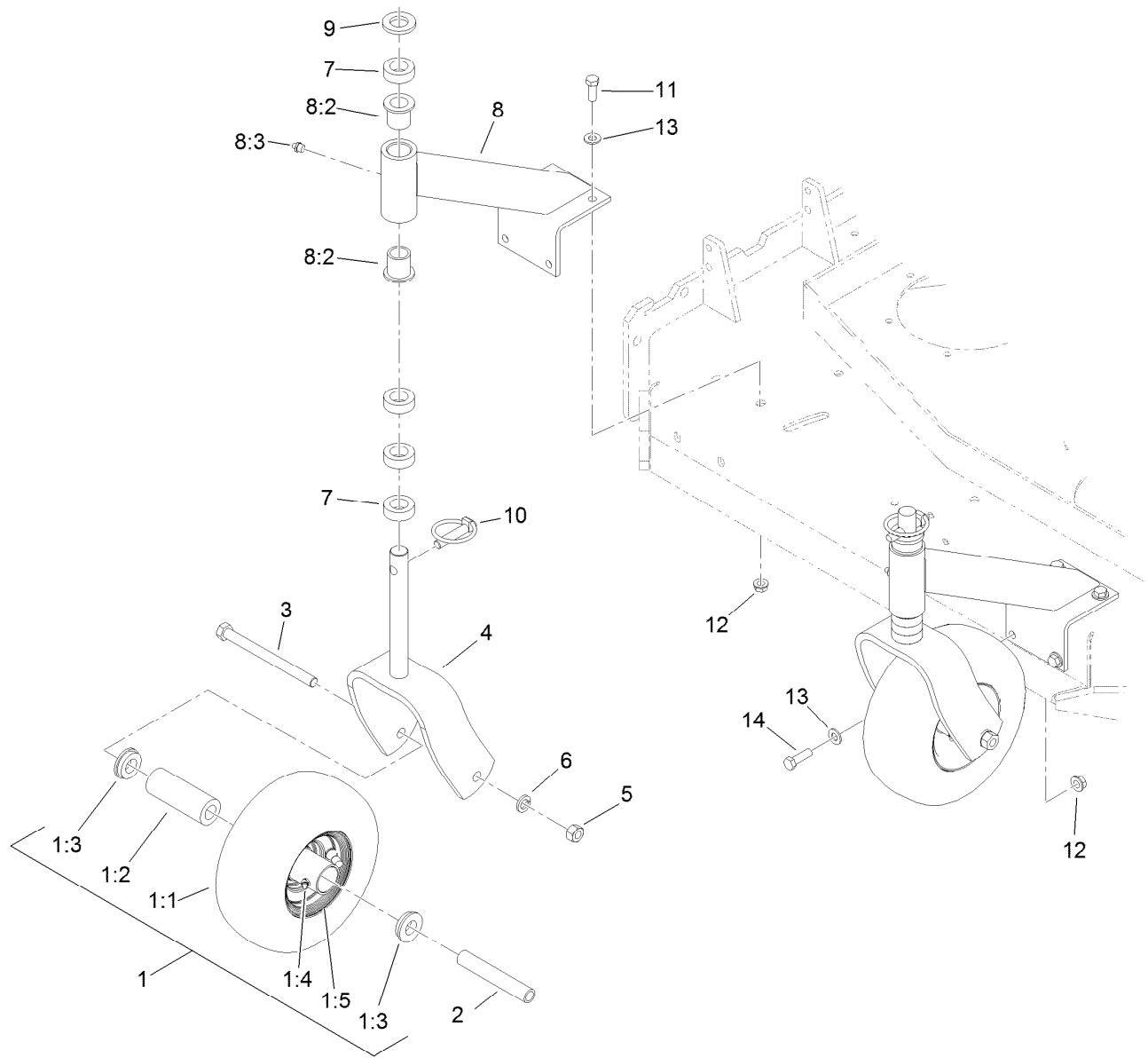
Ref.	Part Number	Qty.	Description	Ref.	Part Number	Qty.	Description
1	108-6697	2	Spindle Housing ASM	7	1-323529	2	Tube-Spindle, Short
1:1	119-7857	2	Bearing-Ball, 1 Inch	8	1-323539	8	Spacer
1:2	110-2116	1	Spacer-Bearing	9	105-7781-03	2	Blade-18In, Hi Flow
1:3	108-6694	1	Housing-Spindle	10	1-513208	2	Washer-Spring
1:4	32120-8	1	Ring-Snap	11	1-800861	2	Screw-Cap, HH
2	92-1624	12	Screw-HWH	12	103-1330	2	Guard-Bearing, Top
3	104-8301	12	Nut-Flange, NI	13	1-403183	2	Sheave
4	110-4888	2	Washer-Spacer	14	1-323339	2	Washer-Retainer, Sheave
5	103-2535	2	Spacer-Guard, Bottom	15	3219-6	2	Nut-Hex
6	1-807267	2	Key	16	3246-18	2	Setscrew



## Idler Assembly

<i>Ref.</i>	<i>Part Number</i>	<i>Qty.</i>	<i>Description</i>	<i>Ref.</i>	<i>Part Number</i>	<i>Qty.</i>	<i>Description</i>
1	1-324372	1	Pad And Spring ASM	18	1-303434	1	Bushing-Engagement
2	321-4	2	Screw-HH	19	103-3600	1	Idler Arm ASM
3	3296-42	2	Nut-Lock, NI	19:2	1-323729	2	Sleeve-Bearing
4	322-10	1	Screw-HH	20	32151-103	1	Ring-Retaining, EXT
5	1-403179	1	Tube-Pivot	21	116-3515	1	Screw-HH, Special
6	32120-35	1	Ring-Retaining, EXT	22	1-303352	1	Washer-Spindle
7	3256-23	1	Washer-Flat	23	1-806003	1	Pin-Cotter, Hair
8	1-322235	1	Arm-Assist	24	1-323715	1	Rod-Brake
9	3256-3	1	Washer-Flat	25	1-323748	1	Ring-Push On
10	3296-29	1	Nut-Lock, NI	26	1-323747	1	Spring-Compression
11	1-303238	1	Eyebolt-Thread, RH	27	1-323746	1	Spacer-Flanged
12	32128-20	3	Nut-HF	28	3296-56	1	Nut-Lock, NI
13	1-303236	1	Body-Turnbuckle	29	1-323071	1	Spring-Extension
14	1-303348	1	Eyebolt-Thread, LH	30	1-303334	1	Washer-Spring
15	702809	1	Screw-HH	31	302-40	1	Fitting-Grease
16	98-5975	1	Washer-Belleville				
17	116-3626	1	Pulley-Idler				





## Caster Assembly

Ref.	Part Number	Qty.	Description
1	130-4557	2	Wheel And Tire ASM
1:1		1	Tire ●
1:2	1-513809	1	Bearing
1:3	1-513810	2	Bushing
1:4	302-61	1	Fitting-Grease
1:5		1	Wheel ●
2	1-513547	2	Spacer
3	325-20	2	Screw-HH
4	116-7942-01	2	Fork-Caster
5	3217-9	2	Nut-HH
6	3253-7	2	Washer-Lock

Ref.	Part Number	Qty.	Description
7	1-303314	8	Spacer-Caster
8	110-2130	2	Support ASM
8:2	1-303514	2	Bearing-Flanged
8:3	302-52	1	Fitting-Grease
9	1-513338	2	Washer-Flat
10	1-809020	2	Pin
11	323-6	7	Screw-HH
12	104-8301	8	Nut-Flange, NI
13	3256-24	8	Washer-Flat
14	323-7	1	Screw-HH

● Not serviced separately

# Attachments and Accessories

## For 39934 Commercial Walk-Behind Mower Fixed Deck, Pistol Grip, Hydro Drive with 36in TURBO FORCE Cutting Unit

<b>Product Name</b>	<b>Model/Part</b>
Blade-Recycler, 18in.....	105-7779-03
Blade-Med Flow, 18in .....	105-7794-03
Blade-Low Flow, 18in.....	105-7795-03
Blade-Atomic, 18in .....	105-7796-03
Blade-Hi Flow, 18in (6 Pack).....	108-1117
Blade-Atomic, 18in (6 Pack) .....	108-1118
Blade-Lo Flow, 18in (6 Pack) .....	110-0406
Blade-Recycler, 18in (6 Pack).....	110-0408
Blade-Med Flow, 18in (6 Pack) .....	110-0409
36in Bagger Enhancement Kit .....	110-2026
36in Recycler Kit.....	110-2080
Weight Kit .....	110-2085
Operator-Controlled Discharge Chute Kit .....	115-4190
Soft Bag (3 Bushel).....	30104
Sulky.....	30109

**Notes:**



**Count on it.**