



55cm Recycler® Lawn Mower

Model No. 20958—Serial No. 313000001 and Up

Operator's Manual

Introduction

This rotary-blade, walk-behind lawn mower is intended to be used by residential homeowners. It is designed primarily for cutting grass on well-maintained lawns on residential properties. It is not designed for cutting brush or for agricultural uses.

Read this information carefully to learn how to operate and maintain your product properly and to avoid injury and product damage. You are responsible for operating the product properly and safely.

You may contact Toro directly at www.Toro.com for product and accessory information, help finding a dealer, or to register your product.

Whenever you need service, genuine Toro parts, or additional information, contact an Authorized Service Dealer or Toro Customer Service and have the model and serial numbers of your product ready. Figure 1 identifies the location of the model and serial numbers on the product.

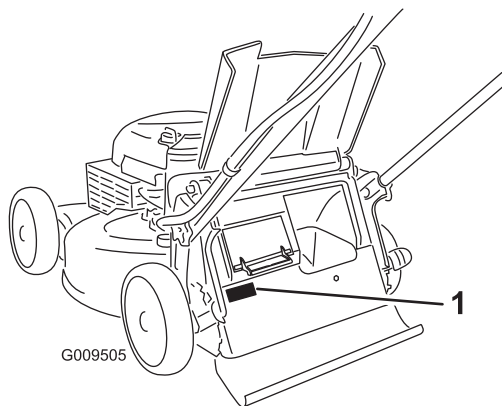


Figure 1

1. Model and serial number plate

Write the product model and serial numbers in the space below:

<p>Model No. _____</p> <p>Serial No. _____</p>
--

This manual identifies potential hazards and has safety messages identified by the safety alert symbol (Figure 2), which signals a hazard that may cause serious injury or death if you do not follow the recommended precautions.



Figure 2

1. Safety alert symbol

This manual uses 2 words to highlight information.

Important calls attention to special mechanical information and **Note** emphasizes general information worthy of special attention.

This product complies with all relevant European directives. For details, see the separate product-specific Declaration of Conformity (DOC) sheet.

For models with stated engine horsepower, the gross horsepower of the engine was laboratory rated by the engine manufacturer in accordance with SAE J1940. As configured to meet safety, emission, and operating requirements, the actual engine horsepower on this class of lawn mower will be significantly lower.

Do not tamper with the engine controls or alter the governor speed; doing so may create an unsafe condition resulting in personal injury.

Contents

Introduction	1
General Lawn Mower Safety	2
Sound Pressure	3
Sound Power	3
Hand/Arm Vibration	3
Safety and Instructional Decals	4
Setup	5
1 Installing the Blade Control Bar	5
2 Installing the Handle	5
3 Installing the Recoil-starter Rope in the Rope Guide.....	5
4 Filling the Engine with Oil.....	6
Product Overview	7
Specifications	7
Operation	7
Filling the Fuel Tank	7
Checking the Engine Oil Level	8
Adjusting the Cutting Height	8
Starting the Engine	9
Using the Self-propel Drive.....	9
Stopping the Engine	9
Engaging the Blade.....	10



Disengaging the Blade.....	10
Checking the Blade-brake Clutch Operation	10
Recycling the Clippings	11
Bagging the Clippings	11
Side-discharging the Clippings.....	12
Operating Tips	13
Maintenance	14
Recommended Maintenance Schedule(s)	14
Preparing for Maintenance.....	14
Replacing the Air Filter.....	15
Changing the Engine Oil	15
Replacing the Blade	16
Cleaning the Blade-brake-clutch Shield	16
Adjusting the Self-propel Drive Cable.....	17
Cleaning under the Machine Housing	17
Storage	18
Preparing the Machine for Storage	18
Folding the Handle	18
Removing the Machine from Storage.....	18

Safety

Improperly using or maintaining this mower can result in injury. To reduce the potential for injury, comply with these safety instructions.

Toro designed and tested this machine for reasonably safe service; however, failure to comply with the following instructions may result in personal injury.

To ensure maximum safety and best performance, and to gain knowledge of the product, it is essential that you and any other operator of the mower read and understand the contents of this manual before the engine is ever started. Pay particular attention to the safety alert symbol (Figure 2), which means Caution, Warning, or Danger—“personal safety instruction.” Read and understand the instruction because it has to do with safety. Failure to comply with the instruction may result in personal injury.

General Lawn Mower Safety

The following instructions have been adapted from EN 836.

This cutting machine is capable of amputating hands and feet and of throwing objects. Failure to observe the following safety instructions could result in serious injury or death.

Training

- Read the instructions carefully. Be familiar with the controls and the proper use of the equipment.
- Never allow children or people unfamiliar with these instructions to use the mower. Local regulations can restrict the age of the operator.

- Keep in mind that the operator or user is responsible for accidents or hazards occurring to other people or their property.
- Understand explanations for all pictograms used on the mower or in the instructions.

Gasoline

⚠ WARNING

Gasoline is highly flammable. Take the following precautions.

- **Store fuel in containers specifically designed for this purpose.**
- **Refuel outdoors only and do not smoke while refueling.**
- **Add fuel before starting the engine. Never remove the cap of the fuel tank or add gasoline while the engine is running or when the engine is hot.**
- **If gasoline is spilled, do not attempt to start the engine but move the machine away from the area of spillage and avoid creating any source of ignition until gasoline vapors have dissipated.**
- **Replace all fuel tank and container caps securely.**

Preparation

- While mowing, always wear substantial footwear and long trousers. Do not operate the equipment when barefoot or wearing open sandals.
- Thoroughly inspect the area where the equipment is to be used and remove all stones, sticks, wires, bones and other foreign objects.
- Before using, always visually inspect to see that guards, and safety devices, such as deflectors and/or grass catchers, are in place and working correctly.
- Before using, always visually inspect to see that the blades, blade bolts and cutter assembly are not worn or damaged. Replace worn or damaged blades and bolts in sets to preserve balance.

Starting

Start the engine carefully according to instructions and with feet well away from the blade(s) and not in front of the discharge chute.

Operation

- Never mow while people, especially children, or pets are nearby.
- Mow only in daylight or in good artificial light.
- Stay alert for holes in the terrain, and other hidden hazards.

- Do not put hands or feet near or under rotating parts. Keep clear of the discharge opening at all times.
- Never pick up or carry a lawn mower while the engine is running.
- Use extreme caution when reversing or pulling a pedestrian controlled lawn mower towards you.
- Walk, never run.
- Slopes:
 - Do not mow excessively steep slopes.
 - Exercise extreme caution when on slopes.
 - Mow across the face of slopes, never up and down, and exercise extreme caution when changing direction on slopes.
 - Always be sure of your footing on slopes.
- Reduce speed on slopes and in sharp turns to prevent overturning or loss of control.
- Stop the blade if the lawn mower has to be tilted for transportation when crossing surfaces other than grass and when transporting the lawn mower to and from the area to be mowed.
- Do not operate the engine in a confined space where dangerous carbon monoxide fumes can collect.
- Stop the engine
 - whenever you leave the lawn mower.
 - before refueling.
 - before removing the grass catcher.
 - before making height adjustment unless adjustment can be made from the operator's position.
- Stop the engine and disconnect the spark-plug wire.
 - before clearing blockages or unclogging chute.
 - before checking, cleaning or working on the lawn mower.
 - after striking a foreign object, inspect the lawn mower for damage and make repairs before restarting and operating the lawn mower.
 - if lawn mower starts to vibrate abnormally (check immediately).
- Lightning can cause severe injury or death. If you see lightning or hear thunder in the area, do not operate the machine; seek shelter.
- Watch out for traffic when crossing or near roadways.
- Never store the equipment with gasoline in the tank and inside a building where fumes can reach an open flame or spark.
- Allow the engine to cool before storing in any enclosure.
- To reduce the fire hazard, keep the engine, silencer, battery compartment, and gasoline storage area free of grass, leaves, or excessive grease.
- Check the grass catcher components and the discharge guard frequently and replace with manufacturer's recommended parts, when necessary.
- Replace worn or damaged parts for safety.
- Replace faulty silencers.
- If the fuel tank has to be drained, do this outdoors.
- Do not change the engine governor settings or overspeed the engine. Operating an engine at excessive speed can increase the hazard of personal injury.
- Be careful during adjustment of the lawn mower to prevent entrapment of the fingers between moving blades and fixed parts of the lawn mower.
- **To ensure the best performance and safety, purchase only genuine Toro replacement parts and accessories. Do not use *will fit* parts and accessories; they may cause a safety hazard.**

Sound Pressure

This unit has a sound pressure level at the operator's ear of 88 dBA, which includes an Uncertainty Value (K) of 1 dBA.

The sound pressure level was determined according to the procedures outlined in EN 836.

Sound Power

This unit has a guaranteed sound power level of 98 dBA, which includes an Uncertainty Value (K) of 1 dBA.

The sound power level was determined according to the procedures outlined in ISO 11094.

Hand/Arm Vibration

Measured vibration level for right hand = 4.7 m/s²

Measured vibration level for left hand = 5.1 m/s²

Uncertainty Value (K) = 2.0 m/s²

Measured values were determined according to the procedures outlined in EN 836.

Maintenance and Storage

- Keep all nuts, bolts, and screws tight to be sure the equipment is in safe working condition.
- Do not use pressure-cleaning equipment on machine.

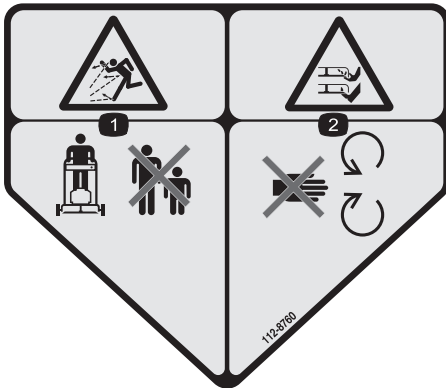
Safety and Instructional Decals

Important: Safety and instruction decals are located near areas of potential danger. Replace damaged decals.



Manufacturer's Mark

1. Indicates the blade is identified as a part from the original machine manufacturer.



112-8760

1. Thrown object hazard—keep bystanders a safe distance from the machine.
2. Cutting/dismemberment of hand or foot—stay away from moving parts.



112-8867

1. Lock
2. Unlock



114-7982

1. Warning—read the *Operator's Manual*.
2. Thrown object hazard—keep bystanders a safe distance from the machine.
3. Cutting/dismemberment hazard of hand or foot, mower blade—disconnect the spark plug wire and read the instructions before servicing or performing maintenance.
4. Cutting/dismemberment hazard of hand or foot, mower blade—stay away from moving parts.
5. Cutting/dismemberment hazard of hand or foot, mower blade—do not operate up and down slopes; operate side to side on slopes; stop the engine before leaving the operating position; and look behind you when backing up.

Setup

Important: Remove and discard the protective plastic sheet that covers the engine.

1

Installing the Blade Control Bar

No Parts Required

Procedure

Install the blade-control bar into the upper handle (Figure 3).

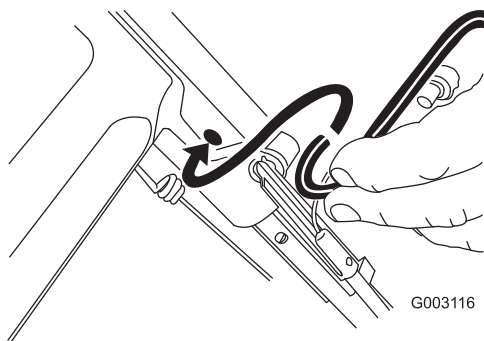


Figure 3

2

Installing the Handle

No Parts Required

Procedure

⚠ WARNING

Folding or unfolding the handle improperly can damage the cables, causing an unsafe operating condition.

- Do not damage the cables when folding or unfolding the handle.
- If a cable is damaged, contact an Authorized Service Dealer.

1. Remove the handle knobs from the machine housing (Figure 4).

Important: Route the cables to the outside of the handle knobs as you install the handle.

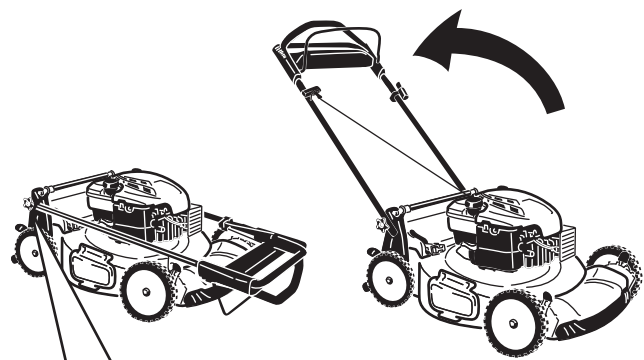


Figure 4

2. Move the handle to the operating position.
3. Install and tighten the handle knobs that you removed in step 1.

3

Installing the Recoil-starter Rope in the Rope Guide

No Parts Required

Procedure

Important: To start the engine safely and easily whenever you use the machine, install the recoil-starter rope in the rope guide.

Pull the recoil-starter rope through the rope guide on the handle (Figure 5).

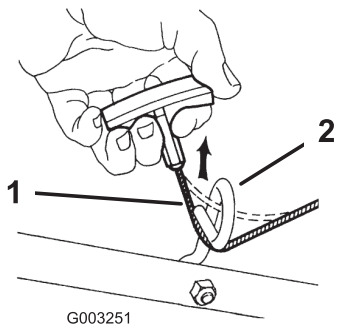


Figure 5

1. Recoil-starter rope
2. Rope guide

4. Insert the dipstick fully into the oil-fill tube.
5. Remove the dipstick and read the oil level on the dipstick; refer to Figure 6.
 - If the oil is below the **Add** mark on the dipstick, slowly pour a small amount of oil into the oil-fill tube, wait 3 minutes, and then repeat steps 3 through 5 until the oil level is at the **Full** mark on the dipstick.
 - If the oil is above the **Full** mark on the dipstick, drain the excess oil until the oil level is at the **Full** mark on the dipstick. To drain the excess oil, refer to Changing the Engine Oil (page 15).

Important: If the oil level in the crankcase is too low or too high and you run the engine, you may damage the engine.

6. Install the dipstick into the oil-fill tube securely.

Important: Change the engine oil after the first 5 operating hours; change it yearly thereafter. Refer to Changing the Engine Oil (page 15).

4

Filling the Engine with Oil

No Parts Required

Procedure

Important: Your machine does not come with oil in the engine. Before starting the engine, fill the engine crankcase with oil.

1. Move the machine to a level surface.
2. Remove the dipstick (Figure 6) and pour about 3/4 of the crankcase capacity of oil into the oil-fill tube.

Note: Max fill: 0.59 L (20 fl oz), type: SAE 30 detergent oil with an API service classification of SF, SG, SH, SJ, SL, or higher.

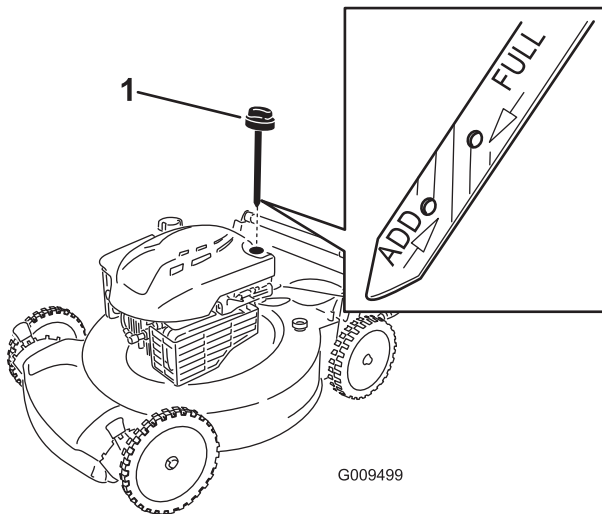


Figure 6

1. Dipstick

3. Wipe the dipstick clean with a clean cloth.

Product Overview

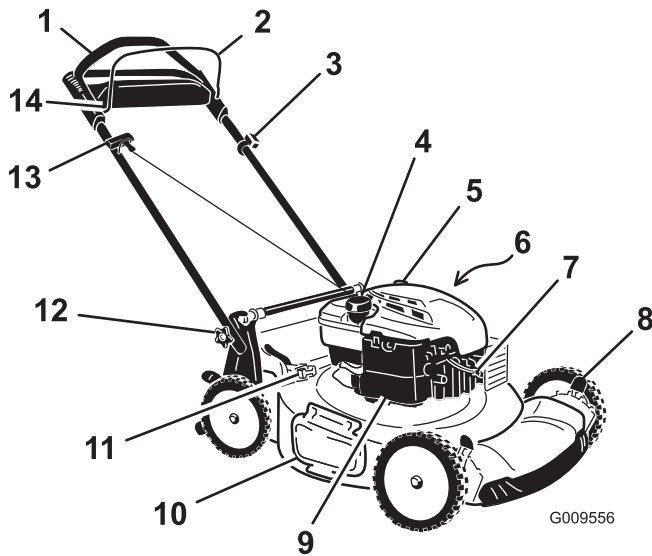


Figure 7

- | | |
|-----------------------------|-----------------------------|
| 1. Handle | 8. Cutting-height lever (4) |
| 2. Blade-control bar | 9. Air filter |
| 3. Ignition switch | 10. Side-discharge chute |
| 4. Fuel-tank cap | 11. Bag-on-demand lever |
| 5. Oil fill/dipstick | 12. Handle knob (2) |
| 6. Washout port (not shown) | 13. Recoil-start handle |
| 7. Spark plug | 14. Control-bar lock |

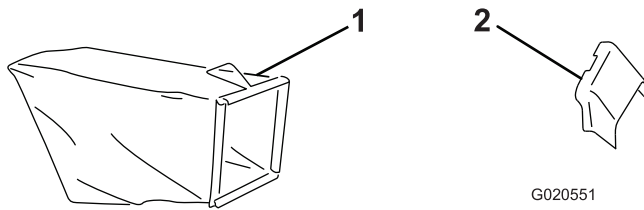


Figure 8

- | | |
|--------------|-------------------------|
| 1. Grass bag | 2. Side-discharge chute |
|--------------|-------------------------|

Specifications

Model	Weight	Length	Width	Height
20958	41 kg (90 lb)	150 cm (59 inches)	58 cm (23 inches)	107 cm (42 inches)

Operation

Filling the Fuel Tank

⚠ DANGER

Gasoline is extremely flammable and explosive. A fire or explosion from gasoline can burn you and others.

- To prevent a static charge from igniting the gasoline, place the container and/or machine directly on the ground before filling, not in a vehicle or on an object.
- Fill the tank outdoors when the engine is cold. Wipe up spills.
- Do not handle gasoline when smoking or around an open flame or sparks.
- Store gasoline in an approved fuel container, out of the reach of children.
- For best results, use only clean, fresh, unleaded gasoline with an octane rating of 87 or higher ((R+M)/2 rating method).
- Oxygenated fuel with up to 10% ethanol or 15% MTBE by volume is acceptable.
- **Do not** use ethanol blends of gasoline, such as E15 or E85, with more than 10% ethanol by volume. Performance problems and/or engine damage may result, which may not be covered under warranty.
- **Do not** use gasoline containing methanol.
- **Do not** store fuel either in the fuel tank or in fuel containers over the winter unless fuel stabilizer has been added to the fuel.
- **Do not** add oil to gasoline.

Important: To reduce starting problems, add fuel stabilizer to the fuel all season, mixing it with gasoline less than 30 days old.

1. Clean around the fuel-tank cap, and remove the cap from the tank (Figure 9).

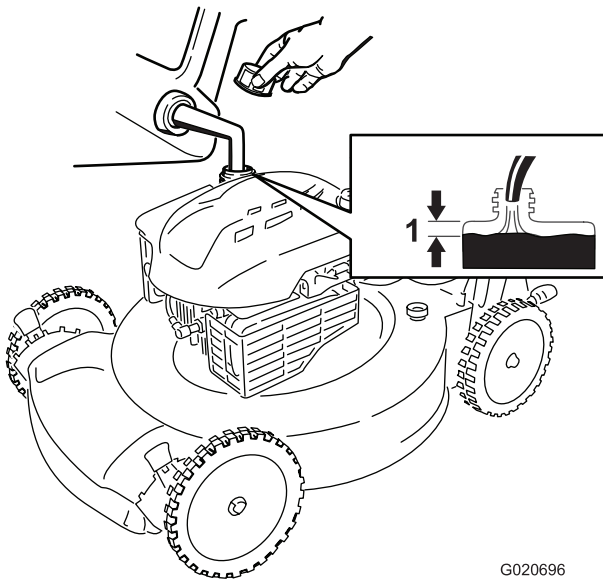


Figure 9

G020696

1. 6 mm (1/4 inch)

2. Fill the fuel tank, leaving at least 6 mm (1/4 inch) from the bottom of the neck empty to allow the gasoline room to expand.
3. Install the fuel tank cap and tighten it securely by hand.

Checking the Engine Oil Level

Service Interval: Before each use or daily

Note: Max fill: 0.59 L (20 fl oz), type: SAE 30 detergent oil with an API service classification of SF, SG, SH, SJ, SL, or higher.

1. Move the machine to a level surface.
2. Remove the dipstick (Figure 10).

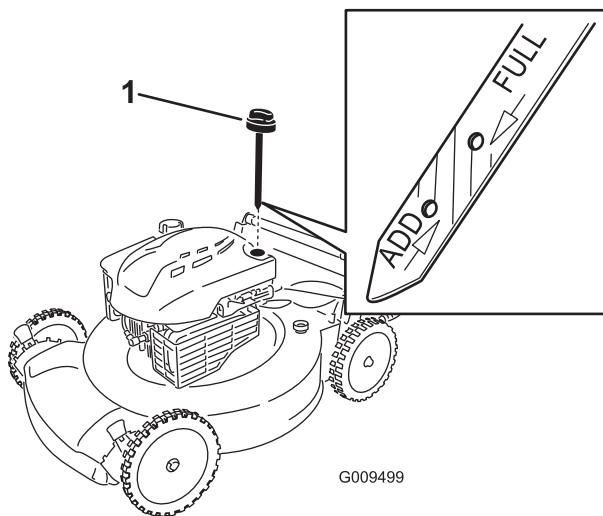


Figure 10

G009499

1. Dipstick

3. Wipe the dipstick clean with a clean cloth.

4. Insert the dipstick fully into the oil-fill tube.
5. Remove the dipstick and read the oil level on the dipstick; refer to Figure 10.
 - If the oil is below the **Add** mark on the dipstick, slowly pour a small amount of oil into the oil-fill tube, wait 3 minutes, and then repeat steps 3 through 5 until the oil level is at the **Full** mark on the dipstick.
 - If the oil is above the **Full** mark on the dipstick, drain the excess oil until the oil level is at the **Full** mark on the dipstick. To drain the excess oil, refer to Changing the Engine Oil (page 15).

Important: If the oil level in the crankcase is too low or too high and you run the engine, you may damage the engine.

6. Install the dipstick into the oil-fill tube securely.

Adjusting the Cutting Height

⚠ WARNING

Adjusting the cutting height may bring you into contact with the moving blade, causing serious injury.

- Stop the engine and wait for all moving parts to stop.
- Do not put your fingers under the housing when adjusting the cutting height.

⚠ CAUTION

If the engine has been running, the muffler will be hot and can severely burn you. Keep away from the hot muffler.

Adjust the cutting height as desired. Set the front wheels to the same height as the rear wheels (Figure 11).

Note: To raise the machine, move the front cutting-height levers rearward and the rear cutting-height levers forward. To lower the machine, move the front cutting-height levers forward and the rear cutting-height levers rearward.

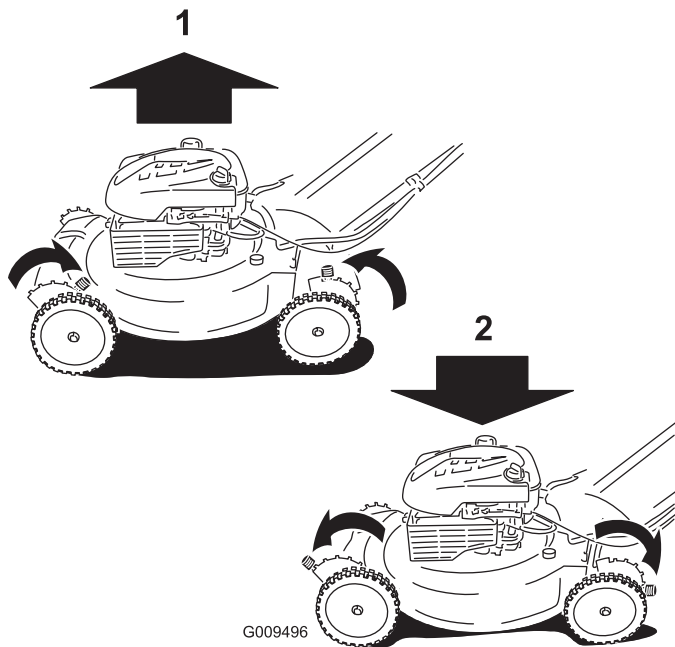


Figure 11

1. Raise the machine
2. Lower the machine

Note: The cutting-height settings are 25 mm (1 inch); 35 mm (1-3/8 inch); 44 mm (1-3/4 inch); 54 mm (2-1/8 inches); 64 mm (2-1/2 inches); 73 mm (2-7/8 inches); 83 mm (3-1/4 inches); 92 mm (3-5/8 inches); and 102 mm (4 inches).

Starting the Engine

Pull the recoil-start handle lightly until you feel resistance, then pull it sharply (Figure 12). Allow the rope to return to the handle slowly.

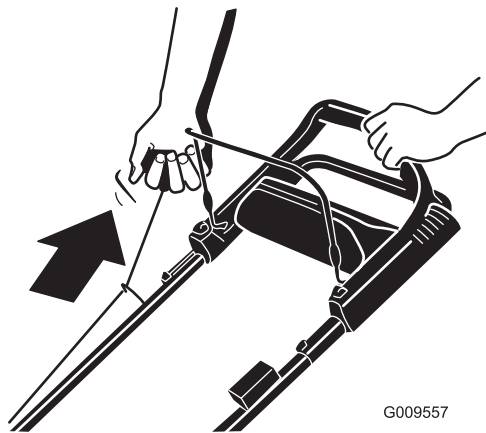


Figure 12

Note: If the machine does not start after several attempts, contact an Authorized Service Dealer.

Using the Self-propel Drive

To operate the self-propel drive, simply walk with your hands on the upper handle and your elbows at your sides, and the machine will automatically keep pace with you (Figure 13).

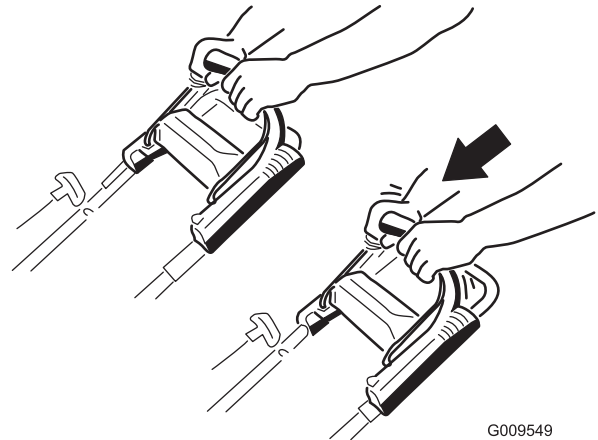


Figure 13

Note: If the machine does not freely roll backward after self-propelling, stop walking, hold your hands in place, and allow the machine to roll a couple of centimeters (inches) forward to disengage the wheel drive. You can also try reaching just under the upper handle to the metal handle and push the machine forward a couple of centimeters (inches). If the machine still does not roll backward easily, contact an Authorized Service Dealer.

Stopping the Engine

Hold down the ignition switch in the “Stop” position until the engine stops (Figure 14).

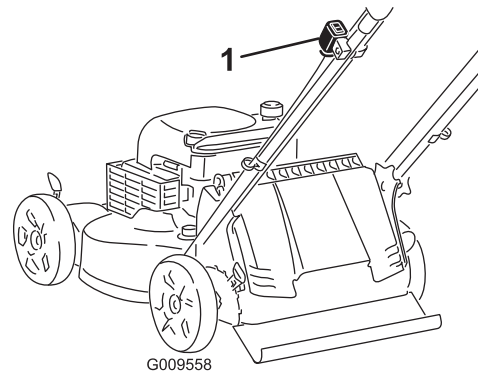


Figure 14

1. Ignition switch

Engaging the Blade

When you start your engine, the blade does not turn. You must engage the blade to mow.

1. Pull the control-bar lock back (Figure 15).

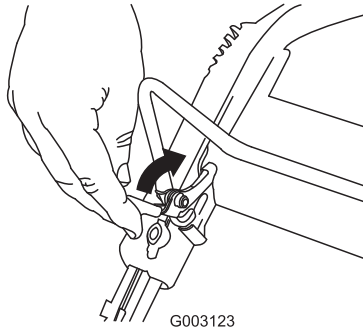


Figure 15

2. Pull the blade-control bar to the handle (Figure 16).

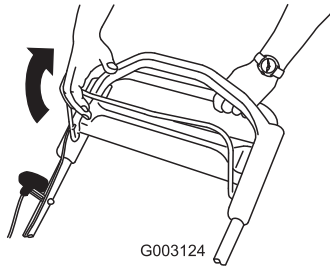


Figure 16

3. Hold the blade-control bar against the handle (Figure 17).

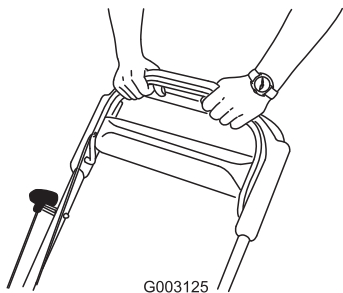


Figure 17

Disengaging the Blade

Release the blade-control bar (Figure 18).

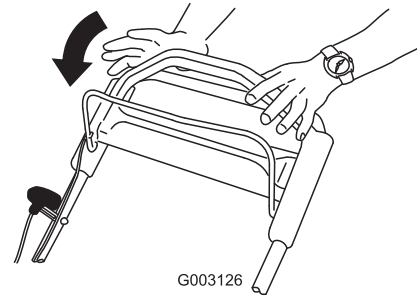


Figure 18

Important: When you release the blade-control bar, the blade should stop within 3 seconds. If it does not stop properly, stop using your machine immediately and contact an Authorized Service Dealer.

Checking the Blade-brake Clutch Operation

Check the blade-control bar before each use to ensure that the blade-brake clutch system is operating properly.

Using the Grass Bag

Service Interval: Before each use or daily

You can use the grass bag to perform an additional test to check the blade-brake clutch.

1. Install the empty grass bag on the machine.
2. Start the engine.
3. Engage the blade.

Note: The bag should begin to inflate, indicating that the blade is engaged and rotating.

4. Release the blade-control bar.

Note: If the bag does not immediately deflate, the blade is still rotating. The blade-brake clutch may be deteriorating and, if ignored, could result in an unsafe operating condition. Have the machine inspected and serviced by an Authorized Service Dealer.

5. Stop the engine and wait for all moving parts to stop.

Not Using the Grass Bag

1. Move the machine onto a paved surface in a non-windy area.
2. Set all 4 wheels to the 83 mm (3-1/4 inches) cutting-height setting.
3. Take a half sheet of newspaper and crumple it into a ball small enough to go under the machine housing (about 76 mm or 3 inches in diameter).

4. Place the newspaper ball about 13 cm (5 inches) in front of the machine.
5. Start the engine.
6. Engage the blade.
7. Release the blade-control bar.
8. Immediately push the machine over the newspaper ball.
9. Stop the engine and wait for all moving parts to stop.
10. Go to the front of the machine and check the newspaper ball.

Note: If the newspaper ball did not go under the machine, repeat steps 4 through 10.

11. If the newspaper is unravelled or shredded, the blade did not stop properly, which could result in an unsafe operating condition. Contact an Authorized Service Dealer.

Recycling the Clippings

Your machine comes from the factory ready to recycle the grass and leaf clippings back into the lawn.

If the grass bag is on the machine and the bag-on-demand lever is in the bagging position, move the lever to the recycling position; refer to (page) before recycling the clippings. If the side-discharge chute is on the machine, remove it; refer to (page) before recycling the clippings.

Bagging the Clippings

Use the grass bag when you want to collect grass and leaf clippings from the lawn.

⚠ WARNING

A worn grass bag could allow small stones and other similar debris to be thrown toward the operator or a bystander, and result in serious personal injury or death.

Check the grass bag frequently. If it is damaged, install a new Toro replacement bag.

If the side-discharge chute is on the machine, remove it; refer to (page) before bagging the clippings. If the bag-on-demand lever is in the recycling position, move it to the bagging position; refer to Operating the Bag-on-Demand Lever (page 12).

⚠ WARNING

The blade is sharp; contacting the blade can result in serious personal injury.

Stop the engine and wait for all moving parts to stop before leaving the operating position.

Installing the Grass Bag

1. Raise and hold up the rear deflector (Figure 19).

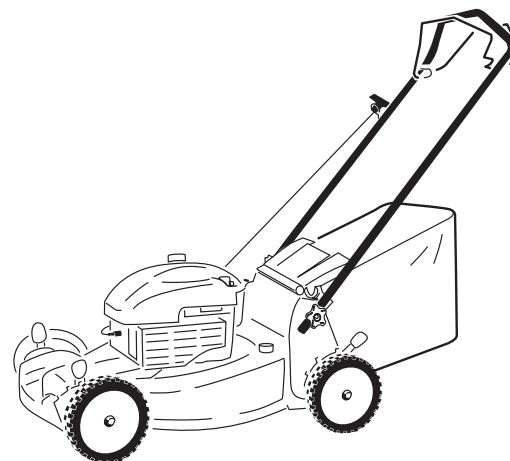
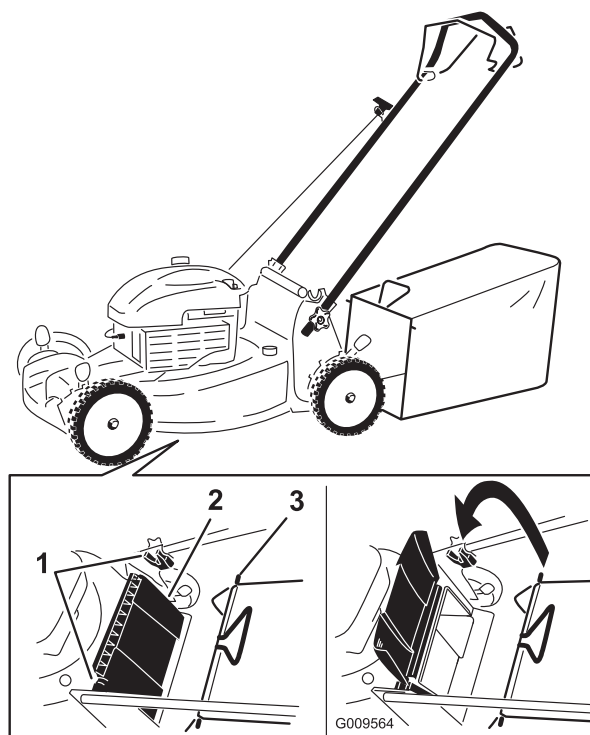


Figure 19

1. Notches
2. Rear deflector
3. Grass bag pin (2)

2. Install the grass bag, ensuring that the pins on the bag rest in the notches on the handle (Figure 19).
3. Lower the rear deflector.

Removing the Grass Bag

To remove the bag, reverse the steps above.

Operating the Bag-on-Demand Lever

The bag-on-demand feature allows you to either collect or recycle grass and leaf clippings while the grass bag is attached to the machine.

- For bagging the grass and leaf clippings, press the button on the bag-on-demand lever, and move the lever forward until the button on the lever pops up (Figure 20).

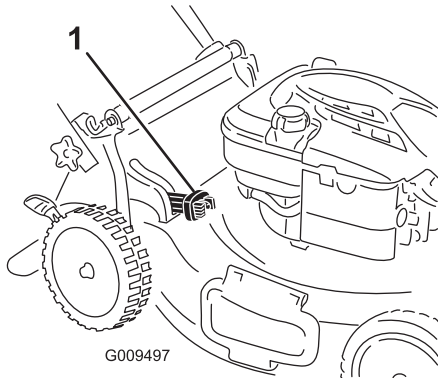


Figure 20

1. Bag-on-demand lever (in bagging position)

- For recycling the grass and leaf clippings, press the button on the lever and move the lever rearward until the button on the lever pops up.

Important: For proper operation, remove any grass clippings and debris from the bag-on-demand door and the surrounding opening (Figure 21) before you move the bag-on-demand lever from one position to another.

⚠ WARNING

The blade is sharp; contacting the blade can result in serious personal injury. Also, an open rear discharge area could allow small stones and other similar debris to be thrown toward the operator or a bystander, and result in serious personal injury or death.

Stop the engine and wait for all moving parts to stop before cleaning the bag-on-demand door and the surrounding opening.

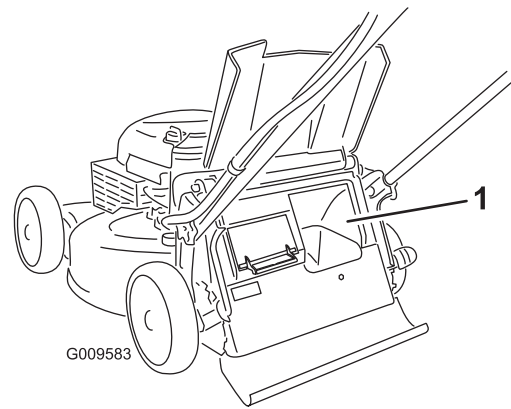


Figure 21

1. Clean here

Side-discharging the Clippings

Use the side discharge for cutting very tall grass.

If the grass bag is on the machine and the bag-on-demand lever is in the bagging position, move the lever to the recycling position; refer to Operating the Bag-on-Demand Lever (page 12).

⚠ WARNING

The blade is sharp; contacting the blade can result in serious personal injury.

Stop the engine and wait for all moving parts to stop before leaving the operating position.

Installing the Side-discharge Chute

Lift up the side deflector and install the side-discharge chute (Figure 22).



Figure 22

Removing the Side-discharge Chute

To remove the side-discharge chute, lift up the side deflector, remove the side-discharge chute, and lower the side deflector.

Operating Tips

General Mowing Tips

- Clear the area of sticks, stones, wire, branches, and other debris that the blade could hit.
- Avoid striking solid objects with the blade. Never deliberately mow over any object.

- If the machine strikes an object or starts to vibrate, immediately stop the engine, disconnect the wire from the spark plug, and examine the machine for damage.
- For best performance, install a new blade before the cutting season begins.
- Replace the blade when necessary with a Toro replacement blade.

Cutting Grass

- Cut only about a third of the grass blade at a time. Do not cut below the 54 mm (2-1/8 inches) setting unless the grass is sparse or it is late fall when grass growth begins to slow down. Refer to Adjusting the Cutting Height (page 8).
- When cutting grass over 15 cm (6 inches) tall, mow at the highest cutting height setting and walk slower; then mow again at a lower setting for the best lawn appearance. If the grass is too long, the machine may plug and cause the engine to stall.
- Mow only dry grass or leaves. Wet grass and leaves tend to clump on the yard and can cause the machine to plug or the engine to stall.

▲ WARNING

Wet grass or leaves can cause serious injury if you slip and contact the blade. Mow only in dry conditions.

- Be aware of a potential fire hazard in very dry conditions, follow all local fire warnings, and keep the machine free of dry grass and leaf debris.
- Alternate the mowing direction. This helps disperse the clippings over the lawn for even fertilization.
- If the finished lawn appearance is unsatisfactory, try one or more of the following:
 - Replace the blade or have it sharpened.
 - Walk at a slower pace while mowing.
 - Raise the cutting height on your machine.
 - Cut the grass more frequently.
 - Overlap cutting swaths instead of cutting a full swath with each pass.
 - Set the cutting height on the front wheels one notch lower than the rear wheels. For example, set the front wheels at 54 mm (2-1/8 inches) and the rear wheels at 64 mm (2-1/2 inches).

Cutting Leaves

- After cutting the lawn, ensure that half of the lawn shows through the cut leaf cover. You may need to make more than one pass over the leaves.
- If there are more than 13 cm (5 inches) of leaves on the lawn, set the front cutting height one or two notches higher than the rear cutting height.
- Slow down your mowing speed if the machine does not cut the leaves finely enough.

Maintenance

Note: Determine the left and right sides of the machine from the normal operating position.

Recommended Maintenance Schedule(s)

Maintenance Service Interval	Maintenance Procedure
After the first 5 hours	<ul style="list-style-type: none"> • Change the engine oil.
Before each use or daily	<ul style="list-style-type: none"> • Check the engine oil level. • Check the blade-brake clutch operation. • Clean grass clippings and dirt from under the machine housing.
Every 25 hours	<ul style="list-style-type: none"> • Replace the air filter; replace it more frequently in dusty operating conditions. • Clean the blade-brake-clutch shield.
Before storage	<ul style="list-style-type: none"> • Empty the fuel tank before repairs as directed and before annual storage.
Yearly	<ul style="list-style-type: none"> • Change the engine oil. • Replace the blade or have it sharpened (more frequently if the edge dulls quickly). • Clean the air-cooling system; clean it more frequently in dusty operating conditions. Refer to your engine operator's manual. • Refer to your engine operator's manual for any additional yearly maintenance procedures.

Important: Refer to your engine operator's manual for additional maintenance procedures.

Note: Replacement parts are available from an Authorized Service Dealer (go to www.Toro.com to find the nearest dealer) or at www.shoptoro.com.

Preparing for Maintenance

1. Stop the engine and wait for all moving parts to stop.
2. Disconnect the spark-plug wire from the spark plug (Figure 23) before performing any maintenance procedure.

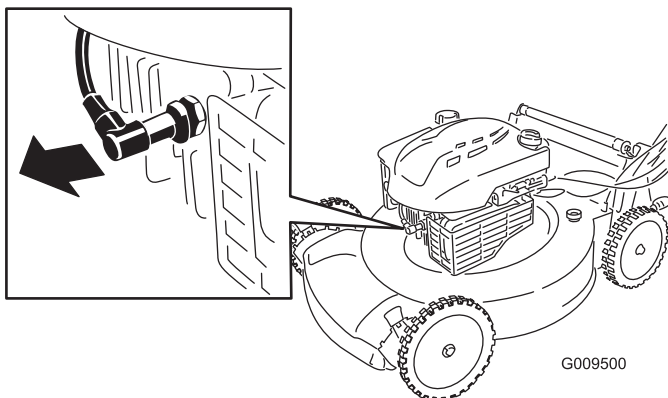


Figure 23

3. After performing the maintenance procedure(s), connect the spark-plug wire to the spark plug.

Important: Before tipping the machine to change the oil or replace the blade, allow the fuel tank to run dry through normal use. If you must tip the machine prior to running out of fuel, use a hand fuel pump to remove the fuel. Always tip the machine onto its side with the dipstick down.

⚠ WARNING

Tipping the machine may cause the fuel to leak. Gasoline is flammable and explosive, and can cause personal injury.

Run the engine dry or remove the gasoline with a hand pump; never siphon.

Replacing the Air Filter

Service Interval: Every 25 hours

1. Use a screw driver to open the air-filter cover (Figure 24).

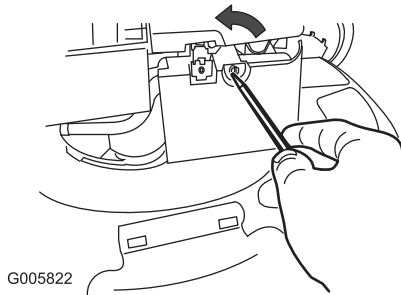


Figure 24

2. Replace the air filter (Figure 25).

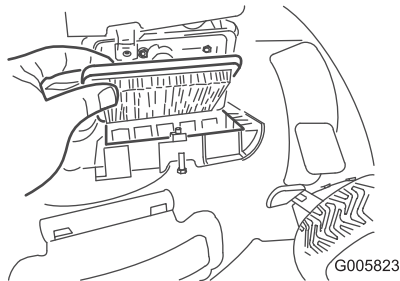


Figure 25

3. Install the cover.

Changing the Engine Oil

Service Interval: After the first 5 hours

Yearly

Toro Premium Engine Oil is available from your Authorized Toro Dealer.

1. Move the machine to a level surface.
2. Ensure that the fuel tank contains little or no fuel so that fuel does not leak out when you tip the machine onto its side.
3. Run the engine a few minutes before changing the oil to warm it.

Note: Warm oil flows better and carries more contaminants.

4. Disconnect the wire from the spark plug; refer to Preparing for Maintenance (page 14).
5. Place an oil drain pan beside the machine on the side nearest to the oil-fill tube.
6. Remove the dipstick from the oil-fill tube (Figure 26).

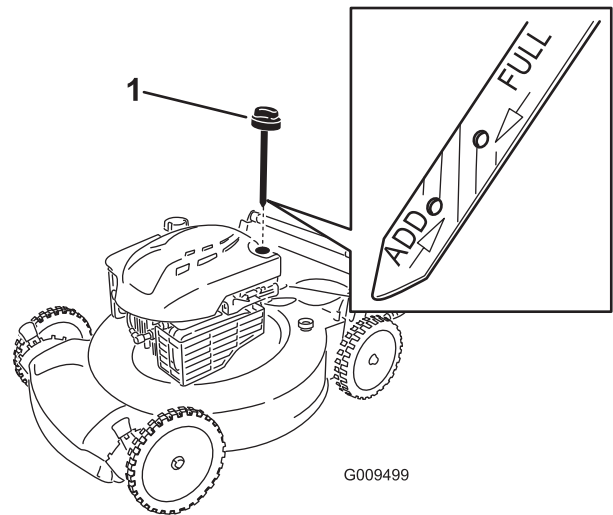


Figure 26

1. Dipstick

7. Tip the machine onto its side, with the oil-fill tube down, to drain the used oil through the oil-fill tube into the oil-drain pan (Figure 27).

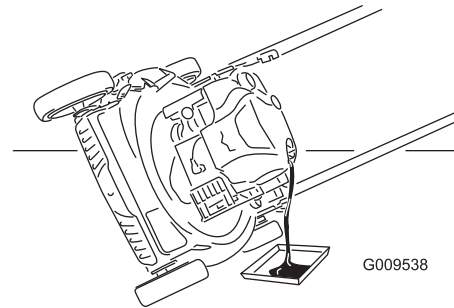


Figure 27

8. After draining the used oil, return the machine to the operating position.
9. Pour about 3/4 of the crankcase capacity of oil in the crankcase.
10. Wait 3 minutes for the oil to settle.
11. Wipe the dipstick clean with a clean cloth.
12. Insert the dipstick fully into the oil-fill tube.
13. Remove the dipstick and read the oil level on the dipstick.
 - If the oil is below the **Add** mark on the dipstick, slowly pour a small amount of oil into the oil-fill tube, wait 3 minutes, and then repeat steps 11 through 13 until the oil level is at the **Full** mark on the dipstick.
 - If the oil is above the **Full** mark on the dipstick, drain the excess oil until the oil level is at the **Full** mark on the dipstick.

Important: If the oil level in the crankcase is too low or too high and you run the engine, you may damage the engine.

14. Install the dipstick into the oil-fill tube securely.
15. Dispose of the used oil properly at a local recycling center.

Replacing the Blade

Service Interval: Yearly

Important: *You will need a torque wrench to install the blade properly. If you do not have a torque wrench or are uncomfortable performing this procedure, contact an Authorized Service Dealer.*

Examine the blade whenever you run out of gasoline. If the blade is damaged or cracked, replace it immediately. If the blade edge is dull or nicked, have it sharpened and balanced, or replace it.

⚠ WARNING

The blade is sharp; contacting the blade can result in serious personal injury.

Wear gloves when servicing the blade.

1. Refer to Preparing for Maintenance (page 14).
2. Tip the machine onto its side with the dipstick down.
3. Remove the 2 blade nuts and the stiffener (Figure 28).

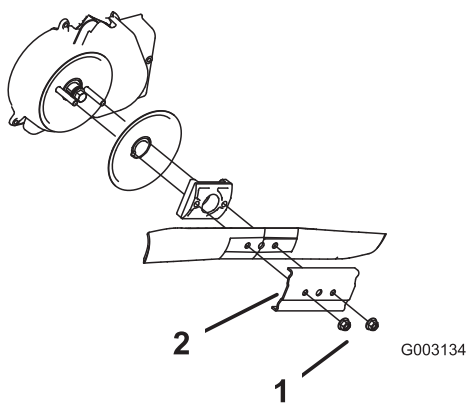


Figure 28

- | | |
|---------------|--------------|
| 1. Blade nuts | 2. Stiffener |
|---------------|--------------|

4. Remove the blade (Figure 28).
5. Install the new blade (Figure 28).
6. Install the stiffener with the 2 blade nuts that you previously removed in step 3.

Note: Torque the blade nuts to 20 to 37 N-m (15 to 27 ft-lb).

Cleaning the Blade-brake-clutch Shield

Service Interval: Every 25 hours

Clean the blade-brake-clutch shield yearly to prevent the blade from stalling while you mow.

1. Refer to Preparing for Maintenance (page 14).
2. Tip the machine onto its side with the dipstick down.
3. Remove the 2 blade nuts and the stiffener (Figure 29).

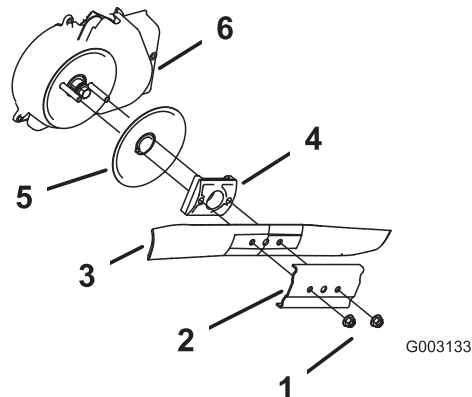


Figure 29

- | | |
|---------------|------------------------------|
| 1. Blade nuts | 4. Blade driver |
| 2. Stiffener | 5. Anti-scalp disk |
| 3. Blade | 6. Blade-brake-clutch shield |

4. Remove the blade (Figure 29).
5. Remove the blade driver and the anti-scalp disk (Figure 29).
6. Remove the blade-brake-clutch shield (Figure 29).
7. Brush or blow out debris from the inside of the shield and around all the parts.
8. Install the blade-brake-clutch shield that you previously removed.
9. Install the blade driver and anti-scalp disk that you previously removed.
10. Install the blade and the stiffener with the 2 blade nuts that you previously removed (Figure 29).

Note: Torque the blade nuts to 20 to 37 N-m (15 to 27 ft-lb).

Adjusting the Self-propel Drive Cable

Whenever you install a new self-propel cable or if the self-propel drive is out of adjustment, adjust the self-propel drive cable.

1. Loosen the cable-support nut (Figure 30).

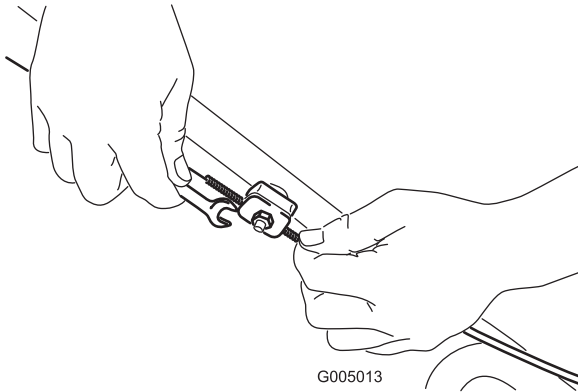


Figure 30

This figure is simplified for the purpose of clarity.

2. Pull down the cable jacket (toward the machine) until there is no slack in the cable (Figure 31).

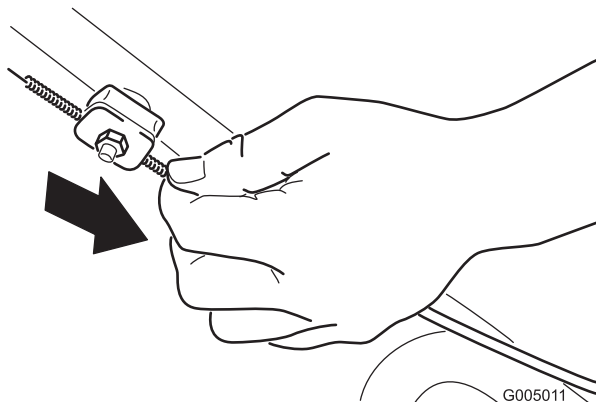


Figure 31

3. Tighten the nut on the cable support.

Cleaning under the Machine Housing

Service Interval: Before each use or daily

⚠ WARNING

The machine may dislodge material from under the machine housing.

- **Wear eye protection.**
- **Stay in the operating position (behind the handle) when the engine is running.**
- **Do not allow bystanders in the area.**

For best results, clean under the machine housing soon after you have completed mowing.

1. Lower the machine to its lowest cutting-height setting; refer to Adjusting the Cutting Height (page 8).
2. Move the machine onto a flat paved surface.
3. Wash out the area under the rear deflector where the clippings go from the housing to the grass bag.

Note: Wash out the area with the bag-on-demand in both the fully forward and fully rearward positions.

4. Attach a garden hose that is connected to a water supply to the washout port on the machine housing (Figure 32).

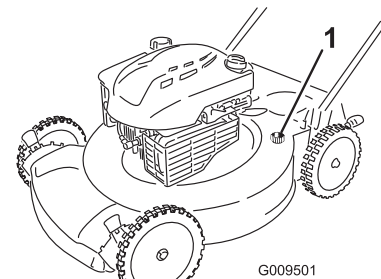


Figure 32

1. Washout port

5. Turn the water on.
6. Start the engine and run it until there are no more clippings that come out from under the machine housing.
7. Stop the engine.
8. Shut off the water and disconnect the garden hose from the machine.
9. Start the engine and run it for a few minutes to dry the housing to prevent it from rusting.
10. Allow the engine to cool before storing the machine in an enclosed area.

Storage

Store the machine in a cool, clean, dry place.

Preparing the Machine for Storage

⚠ WARNING

Gasoline vapors can explode.

- Do not store gasoline more than 30 days.
 - Do not store the machine in an enclosure near an open flame.
 - Allow the engine to cool before storing it.
1. On the last refueling of the year, add fuel stabilizer to the fuel as directed by the engine manufacturer.
 2. Dispose of any unused fuel properly. Recycle it according to local codes, or use it in your automobile.
Note: Old fuel in the fuel tank is the leading cause of hard starting. Do not store fuel without stabilizer more than 30 days, and do not store stabilized fuel more than 90 days.
 3. Run the machine until the engine stops from running out of fuel.
 4. Start the engine again.
 5. Allow the engine to run until it stops. When you can no longer start the engine, it is sufficiently dry.
 6. Disconnect the wire from the spark plug.
 7. Remove the spark plug, add 30 ml (1 oz) of oil through the spark-plug hole, and pull the starter rope slowly several times to distribute oil throughout the cylinder to prevent cylinder corrosion during the off-season.
 8. Loosely install the spark plug.
 9. Tighten all nuts, bolts, and screws.

Folding the Handle

⚠ WARNING

Folding or unfolding the handle improperly can damage the cables, causing an unsafe operating condition.

- Do not damage the cables when folding or unfolding the handle.
 - If a cable is damaged, contact an Authorized Service Dealer.
1. Loosen the handle knobs until you can move the upper handle freely.

2. Fold the upper handle forward as shown in Figure 33.

Important: Route the cables to the outside of the handle knobs as you fold the handle.

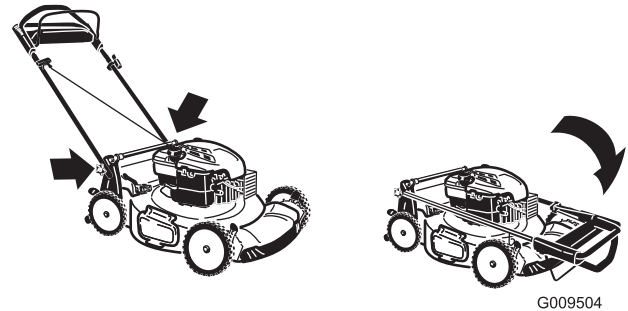


Figure 33

3. To unfold the handle, reverse the steps above.

Removing the Machine from Storage

1. Check and tighten all fasteners.
2. Remove the spark plug and spin the engine rapidly using the starter to blow excess oil from the cylinder.
3. Install the spark plug and tighten it with a torque wrench to 20 N-m (15 ft-lb).
4. Perform any needed maintenance procedures; refer to Maintenance (page 14).
5. Check the engine oil level; refer to Checking the Engine Oil Level (page 8).
6. Fill the fuel tank with fresh gasoline; refer to Filling the Fuel Tank (page 7).
7. Connect the wire to the spark plug.

International Distributor List

Distributor:	Country:	Phone Number:	Distributor:	Country:	Phone Number:
Atlantis Su ve Sulama Sisstemleri Lt	Turkey	90 216 344 86 74	Maquiver S.A.	Colombia	57 1 236 4079
Balama Prima Engineering Equip.	Hong Kong	852 2155 2163	Maruyama Mfg. Co. Inc.	Japan	81 3 3252 2285
B-Ray Corporation	Korea	82 32 551 2076	Agrolanc Kft	Hungary	36 27 539 640
Casco Sales Company	Puerto Rico	787 788 8383	Mountfield a.s.	Czech Republic	420 255 704 220
Ceres S.A.	Costa Rica	506 239 1138	Munditol S.A.	Argentina	54 11 4 821 9999
CSSC Turf Equipment (pvt) Ltd.	Sri Lanka	94 11 2746100	Oslinger Turf Equipment SA	Ecuador	593 4 239 6970
Cyril Johnston & Co.	Northern Ireland	44 2890 813 121	Oy Hako Ground and Garden Ab	Finland	358 987 00733
Equiver	Mexico	52 55 539 95444	Parkland Products Ltd.	New Zealand	64 3 34 93760
Femco S.A.	Guatemala	502 442 3277	Prato Verde S.p.A.	Italy	39 049 9128 128
G.Y.K. Company Ltd.	Japan	81 726 325 861	Prochaska & Cie	Austria	43 1 278 5100
Geomechaniki of Athens	Greece	30 10 935 0054	RT Cohen 2004 Ltd.	Israel	972 986 17979
Guandong Golden Star	China	86 20 876 51338	Riversa	Spain	34 9 52 83 7500
Hako Ground and Garden	Sweden	46 35 10 0000	Sc Svend Carlsen A/S	Denmark	45 66 109 200
Hako Ground and Garden	Norway	47 22 90 7760	Solvart S.A.S.	France	33 1 30 81 77 00
Hayter Limited (U.K.)	United Kingdom	44 1279 723 444	Spyros Stavrinides Limited	Cyprus	357 22 434131
Hydroturf Int. Co Dubai	United Arab Emirates	97 14 347 9479	Surge Systems India Limited	India	91 1 292299901
Hydroturf Egypt LLC	Egypt	202 519 4308	T-Markt Logistics Ltd.	Hungary	36 26 525 500
Irriamc	Portugal	351 21 238 8260	Toro Australia	Australia	61 3 9580 7355
Irrigation Products Int'l Pvt Ltd.	India	86 22 83960789	Toro Europe NV	Belgium	32 14 562 960
Jean Heybroek b.v.	Netherlands	31 30 639 4611			

European Privacy Notice

The Information Toro Collects

Toro Warranty Company (Toro) respects your privacy. In order to process your warranty claim and contact you in the event of a product recall, we ask you to share certain personal information with us, either directly or through your local Toro company or dealer.

The Toro warranty system is hosted on servers located within the United States where privacy law may not provide the same protection as applies in your country.

BY SHARING YOUR PERSONAL INFORMATION WITH US, YOU ARE CONSENTING TO THE PROCESSING OF YOUR PERSONAL INFORMATION AS DESCRIBED IN THIS PRIVACY NOTICE.

The Way Toro Uses Information

Toro may use your personal information to process warranty claims, to contact you in the event of a product recall and for any other purpose which we tell you about. Toro may share your information with Toro's affiliates, dealers or other business partners in connection with any of these activities. We will not sell your personal information to any other company. We reserve the right to disclose personal information in order to comply with applicable laws and with requests by the appropriate authorities, to operate our systems properly or for our own protection or that of other users.

Retention of your Personal Information

We will keep your personal information as long as we need it for the purposes for which it was originally collected or for other legitimate purposes (such as regulatory compliance), or as required by applicable law.

Toro's Commitment to Security of Your Personal Information

We take reasonable precautions in order to protect the security of your personal information. We also take steps to maintain the accuracy and current status of personal information.

Access and Correction of your Personal Information

If you would like to review or correct your personal information, please contact us by email at legal@toro.com.

Australian Consumer Law

Australian customers will find details relating to the Australian Consumer Law either inside the box or at your local Toro Dealer.



The Toro Warranty and The Toro GTS Starting Guarantee

Conditions and Products Covered

The Toro Company and its affiliate, Toro Warranty Company, pursuant to an agreement between them, jointly promise to repair for the original purchaser¹ the Toro Product listed below if defective in materials or workmanship or if the Toro GTS (Guaranteed to Start) engine will not start on the first or second pull, provided the routine maintenance required in the *Operator's Manual* have been performed.

The following time periods apply from the date of purchase:

Products	Warranty Period
Walk Power Mowers	
• Cast Deck	5 years Residential Use ² 90 Days Commercial Use
• Engine	5 years GTS Guarantee, Residential Use ³
• Battery	2 years
• Steel Deck	2 years Residential Use ² 90 Days Commercial Use
• Engine	2 years GTS Guarantee, Residential Use ³
TimeMaster Mowers	3 years Residential Use ² 90 Days Commercial Use
• Engine	3 years GTS Guarantee, Residential Use ³
• Battery	2 years
Electric Hand Held Products	2 years Residential Use ² No Warranty for Commercial Use
Snowthrowers	
• Single Stage	2 years Residential Use ² 45 Days Commercial Use
• Engine	2 years GTS Guarantee, Residential Use ³
• Two Stage	3 years Residential Use ² 45 Days Commercial Use
• Chute, chute deflector and impeller housing cover	Lifetime (original owner only) ⁵
Electric Snowthrowers	2 years Residential Use ² No Warranty for Commercial Use
All Ride-On Units Below	
• Engine	See engine manufacturer's warranty ⁴
• Battery	2 years Residential Use ²
• Attachments	2 years Residential Use ²
DH Lawn & Garden Tractors	2 years Residential Use ² 90 Days Commercial Use
XLS Lawn & Garden Tractors	3 years Residential Use ² 90 Days Commercial Use
TimeCutter	3 years Residential Use ² 90 Days Commercial Use
TITAN Mowers	3 years or 240 hours ⁵
• Frame	Lifetime (original owner only) ⁶
Z Master Mowers — 2000 Series	4 years or 500 hours ⁵
• Frame	Lifetime (original owner only) ⁶

¹Original Purchaser means the person who originally purchased the Toro Product.

²Residential use means use of the product on the same lot as your home. Use at more than one location is considered commercial use and the commercial use warranty would apply.

³The Toro GTS Starting Guarantee does not apply when the product is used commercially.

⁴Some engines used on Toro Products are warranted by the engine manufacturer.

⁵Whichever occurs first.

⁶Lifetime Frame Warranty - If the main frame, consisting of the parts welded together to form the tractor structure that other components such as the engine are secured to, cracks or breaks in normal use, it will be repaired or replaced, at Toro's option, under warranty at no cost for parts and labor. Frame failure due to misuse or abuse and failure or repair required due to rust or corrosion are not covered.

This warranty covers the cost of parts and labor, but you must pay transportation costs.

Warranty may be denied if the hour meter is disconnected, altered, or shows signs of being tampered with.

Owner Responsibilities

You must maintain your Toro Product by following the maintenance procedures described in the *Operator's Manual*. Such routine maintenance, whether performed by a dealer or by you, is at your expense.

Instructions for Obtaining Warranty Service

If you think that your Toro Product contains a defect in materials or workmanship, follow this procedure:

1. Contact your seller to arrange service of the product. If for any reason it is impossible for you to contact your seller, you may contact any Toro Authorized Distributor to arrange service. See attached Distributor List.
2. Bring the product and your proof of purchase (sales receipt) to the servicing outlet. If for any reason you are dissatisfied with the servicing outlet's analysis or with the assistance provided, contact us at:

Toro Customer Care Department, RLC Division
Toro Warranty Company
8111 Lyndale Avenue South
Bloomington, MN 55420-1196
001-952-948-4707

Items and Conditions Not Covered

This express warranty does not cover the following:

- Cost of regular maintenance service or wear parts, such as blades, rotor blades (paddles), scraper blades, belts, fuel, lubricants, oil changes, spark plugs, pneumatic tires, cable/linkage or brake adjustments
- Any product or part which has been altered or misused and requires replacement or repair due to accidents or lack of proper maintenance
- Repairs necessary due to failure to use fresh fuel (less than one month old), or failure to properly prepare the unit prior to any period of non-use over one month
- All repairs covered by these warranties must be performed by an authorized Toro servicing outlet using approved replacement parts.

General Conditions

The purchaser is covered by the national laws of each country. The rights to which the purchaser is entitled with the support of these laws are not restricted by this warranty.



55 cm Recycler® Rasenmäher

Modellnr. 20958—Seriennr. 313000001 und höher

Bedienungsanleitung

Einführung

Dieser handgeführte Rasenmäher mit Sichelmessern sollte von Privatleuten oder geschulten Lohnarbeitern verwendet werden. Er ist hauptsächlich für das Mähen von Gras auf gepflegten Grünflächen in Privatanlagen gedacht. Er ist nicht für das Schneiden von Büschen oder für einen landwirtschaftlichen Einsatz gedacht.

Lesen Sie diese Informationen sorgfältig durch, um sich mit dem ordnungsgemäßen Einsatz und der Wartung des Geräts vertraut zu machen und Verletzungen und eine Beschädigung des Geräts zu vermeiden. Sie tragen die Verantwortung für einen ordnungsgemäßen und sicheren Einsatz des Geräts.

Sie können Toro direkt unter www.Toro.com hinsichtlich Produkt- und Zubehörinformationen, Standort eines Händlers oder Registrierung des Produkts kontaktieren.

Wenden Sie sich an den Toro Vertragshändler oder Kundendienst, wenn Sie eine Serviceleistung, Toro Originalersatzteile oder weitere Informationen benötigen. Haben Sie dafür die Modell- und Seriennummern der Maschine griffbereit. In Bild 1 wird der Standort der Modell- und Seriennummern auf dem Produkt angegeben.

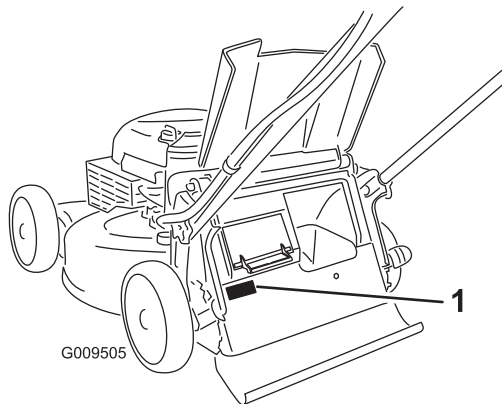


Bild 1

1. Typenschild mit Modell- und Seriennummern

Tragen Sie hier bitte die Modell- und Seriennummern der Maschine ein:

Modellnr. _____
Seriennr. _____

In dieser Anleitung werden potenzielle Gefahren angeführt, und Sicherheitsmeldungen werden vom Sicherheitswarnsymbol (Bild 2) gekennzeichnet, das auf eine Gefahr hinweist, die zu schweren oder tödlichen Verletzungen führen kann, wenn Sie die empfohlenen Sicherheitsvorkehrungen nicht einhalten.



Bild 2

1. Sicherheitswarnsymbol

In dieser Anleitung werden zwei Begriffe zur Hervorhebung von Informationen verwendet. **Wichtig** weist auf spezielle technische Informationen hin, und **Hinweis** hebt allgemeine Informationen hervor, die Ihre besondere Beachtung verdienen.

Dieses Produkt entspricht allen relevanten europäischen Richtlinien. Weitere Angaben finden Sie in der produktspezifischen Konformitätsbescheinigung.

Bei Modellen mit angegebenen PS wurde die Bruttoleistung des Motors im Labor vom Motorhersteller gemäß SAE J1940 klassifiziert. Aufgrund der Konfiguration zur Erfüllung von Sicherheits-, Emissions- und Betriebsanforderungen ist die tatsächliche Motorleistung in dieser Klasse der Rasenmäher wesentlich niedriger.

Modifizieren Sie nicht die Motorbedienelemente oder die Geschwindigkeit des Motorfliehkraftreglers, da dies zu unsicheren Einsatzbedingungen und Verletzungen führen kann.

Inhalt

Einführung	1
Allgemeine Hinweise zur Sicherheit von Rasenmähern	2
Schalldruck	4
Schalleistung	4
Hand-/Armvibration.....	4
Sicherheits- und Bedienungsschilder	5
Einrichtung	6
1 Einbauen des Schaltbügels	6
2 Montieren des Griffs	6
3 Befestigen des Rücklaufstarterseils in der Seilführung.....	6



4 Auffüllen des Motors mit Öl.....	7
Produktübersicht	8
Technische Daten	8
Betrieb	8
Betanken.....	8
Prüfen des Motorölstands	9
Einstellen der Schnitthöhe.....	9
Anlassen des Motors.....	10
Einsatz des Selbstantriebs.....	10
Abstellen des Motors	10
Einkuppeln des Messers	11
Auskuppeln des Messers.....	11
Prüfen der Funktion der Messerbremse	11
Schnittgutrecyclen	12
Sammeln des Schnittguts	12
Seitenauswurf des Schnittguts.....	14
Betriebshinweise	14
Wartung	16
Empfohlener Wartungsplan	16
Vorbereiten für die Wartung.....	16
Auswechseln des Luftfilters	16
Wechseln des Motoröls	17
Auswechseln des Messers	18
Reinigen des Schutzblechs der Messerbremse	18
Einstellen des Selbstantriebskabels.....	19
Reinigen der Unterseite des Maschinengehäuses	19
Einlagerung	20
Vorbereiten des Rasenmähers für die Einlagerung	20
Zusammenklappen des Bügels	20
Herausnehmen der Maschine aus der Einlagerung	20

Sicherheit

Der unsachgemäße Einsatz oder die falsche Wartung dieses Rasenmähers kann zu Verletzungen führen. Befolgen Sie zur Reduzierung der Verletzungsgefahr diese Sicherheitsanweisungen.

Dieser Rasenmäher wurde von Toro für einen angemessenen und sicheren Betrieb ausgelegt. Das Nichtbeachten der folgenden Anweisungen kann jedoch zu Verletzungen führen.

Um die maximale Sicherheit, optimale Leistung und das nötige Wissen über die Maschine zu erhalten, müssen Sie und jeder andere Benutzer des Rasenmähers den Inhalt der vorliegenden Anleitung vor dem Anlassen des Motors sorgfältig lesen und verstehen. Besondere Beachtung ist dem Gefahrensymbol (Bild 2) zu schenken, welches Vorsicht, Warnung oder Gefahr – Sicherheitshinweis“ bedeutet. Lesen und verstehen Sie die Anweisungen, da sie wichtig für die Sicherheit sind. Das Nichtbeachten der Anweisungen kann zu Körperverletzungen führen.

Allgemeine Hinweise zur Sicherheit von Rasenmähern

Die folgenden Anleitungen basieren auf der EN-Norm 836.

Diese Maschine kann Hände und Füße amputieren und Gegenstände aufschleudern. Das Nichtbeachten der folgenden Sicherheitsvorschriften kann zu schweren Verletzungen oder zum Tod führen.

Schulung

- Lesen Sie diese Anweisungen gründlich durch. Machen Sie sich mit den Bedienelementen und dem korrekten Einsatz des Geräts vertraut.
- Lassen Sie den Rasenmäher nie von Kindern oder Personen bedienen, die mit diesen Anweisungen nicht vertraut sind. Das Alter des Fahrers kann durch lokale Vorschriften eingeschränkt sein.
- Bedenken Sie immer, dass der Bediener die Verantwortung für Unfälle oder Gefahren gegenüber anderen und ihrem Eigentum trägt.
- Verstehen Sie alle Erläuterungen der am Rasenmäher und in der Anleitung verwendeten Symbole.

Benzin

▲ WARNUNG:

Benzin ist leicht entzündlich. Befolgen Sie die nachstehenden Sicherheitsvorkehrungen:

- **Bewahren Sie Kraftstoff nur in zugelassenen Vorratskanistern auf.**
- **Betanken Sie nur im Freien, und rauchen Sie dabei nie.**
- **Betanken Sie die Maschine, bevor Sie den Motor anlassen. Entfernen Sie bei laufendem oder heißem Motor nie den Kraftstofftankdeckel oder betanken die Maschine.**
- **Versuchen Sie, wenn Benzin verschüttet wurde nie, den Motor zu starten, sondern schieben den Rasenmäher vom verschütteten Kraftstoff weg und vermeiden offene Flammen, bis die Verschüttung verdunstet ist.**
- **Schrauben Sie den Tank- und Benzinkanisterdeckel wieder fest auf.**

Vorbereitung

- Tragen Sie beim Mähen immer feste Schuhe und lange Hosen. Fahren Sie die Maschine nie barfußig oder mit Sandalen.
- Inspizieren Sie den Arbeitsbereich gründlich und entfernen Steine, Stöcke, Drähte, Knochen und andere Fremdkörper.

- Prüfen Sie vor der Inbetriebnahme visuell, ob alle Schutzvorrichtungen und Sicherheitsgeräte, wie z. B. Ablenkleche und/oder Grasfangkörbe einwandfrei montiert sind und richtig funktionieren.
- Überprüfen Sie vor dem Einsatz immer, ob die Schnittmesser, -schrauben und das Mähwerk abgenutzt oder beschädigt sind. Tauschen Sie abgenutzte oder defekte Messer und -schrauben als komplette Sätze aus, um die Wucht der Messer beizubehalten.

Anlassen

Starten Sie den Motor vorsichtig und entsprechend den Anweisungen, wobei Sie die Füße so weit wie möglich von den Messern fernhalten, d. h. stellen Sie sich nie vor den Auswurfkanal.

Betrieb

- Mähen Sie nie, wenn sich Personen, insbesondere Kinder oder Haustiere, in der Nähe aufhalten.
- Mähen Sie nur bei Tageslicht oder guter künstlicher Beleuchtung.
- Achten Sie auf Kuhlen und andere versteckte Gefahrenstellen im Gelände.
- Halten Sie Hände und Füße von sich drehenden Teilen fern. Bleiben Sie immer von der Auswurföffnung fern.
- Heben oder tragen Sie den Rasenmäher nie bei laufendem Motor.
- Gehen Sie mit größter Vorsicht vor, wenn Sie rückwärts fahren oder Sie einen handgeführten Rasenmäher zu sich ziehen.
- Gehen Sie immer; laufen Sie nie.
- Hanglagen:
 - Versuchen Sie nicht, steile Hänge zu mähen.
 - Passen Sie an Hängen besonders auf.
 - Mähen Sie quer zu Hanglagen, d.h. nie hangauf- oder -abwärts, und gehen Sie Richtungswechsel an Hanglagen mit größter Vorsicht vor.
 - Achten Sie an Hanglagen immer darauf, dass Sie einen guten Halt haben.
- Reduzieren Sie an Hängen und bevor Sie scharf wenden Ihre Geschwindigkeit, um einem Umkippen und einem Kontrollverlust vorzubeugen.
- Stellen Sie das Messer ab, wenn Sie den Rasenmäher zwischen Mähbereichen transportieren und der Rasenmäher zum Transport zum Überqueren von Flächen (außer Grünflächen) gekippt werden muss.
- Lassen Sie den Motor nie in unbelüfteten Räumen laufen, da sich dort gefährliche Kohlenmonoxidgase ansammeln können.
- Stellen Sie den Motor in den folgenden Situationen ab:
 - Wenn Sie den Rasenmäher verlassen.
 - Vor dem Auftanken.

- Vor dem Entfernen des Fangkorbs.
- Vor dem Verstellen der Schnitthöhe. Es sei denn, die Einstellung lässt sich von der Fahrerposition aus bewerkstelligen.
- Stellen Sie den Motor ab und ziehen Sie den Zündkerzenstecker ab:
 - Vor dem Entfernen von Behinderungen und Verstopfungen aus dem Auswurfkanal.
 - Vor dem Prüfen, Reinigen oder Ausführen von Wartungsarbeiten am Rasenmäher.
 - Wenn Sie auf einen Festkörper aufgeprallt sind und prüfen den Rasenmäher auf eventuelle Defekte; führen Sie dann die erforderlichen Reparaturen durch, bevor Sie den Rasenmäher starten und in Betrieb nehmen.
 - Beim Auftreten von ungewöhnlichen Vibrationen am Rasenmäher (sofort überprüfen).
- Blitzschlag kann zu schweren oder tödlichen Verletzungen führen. Setzen Sie die Maschine nicht ein, wenn Sie Blitze sehen oder Donner hören, und gehen Sie an eine geschützte Stelle.
- Achten Sie beim Überqueren und in der Nähe von Straßen auf den Verkehr.

Wartung und Lagerung

- Halten Sie alle Muttern und Schrauben fest angezogen, damit das Gerät in einem sicheren Betriebszustand bleibt.
- Verwenden Sie kein Hochdruckreiniger zum Waschen der Maschine.
- Bewahren Sie den Rasenmäher nie mit Benzin im Tank oder innerhalb eines Gebäudes auf, wo Dämpfe eine offene Flamme oder Funken erreichen könnten.
- Lassen Sie den Motor abkühlen, bevor Sie die Maschine in einem geschlossenen Raum abstellen.
- Halten Sie, um das Brandrisiko zu verringern, den Motor, Schalldämpfer, das Batteriefach und den Benzintank von Gras, Laub und überflüssigem Fett frei.
- Prüfen Sie die Bestandteile des Fangkorbs und des Auswurfschutzbleches häufig, und wechseln Sie sie ggf. mit den vom Hersteller empfohlenen Teilen aus.
- Tauschen Sie abgenutzte und beschädigte Teile aus Sicherheitsgründen aus.
- Wechseln Sie defekte Auspuffe aus.
- Wenn Sie den Kraftstoff aus dem Tank ablassen müssen, sollte dies im Freien geschehen.
- Verändern Sie nie die Einstellung des Motorfliehkraftreglers, und überdrehen Sie niemals den Motor. Durch das Überdrehen des Motors steigt die Verletzungsgefahr.
- Achten Sie beim Einstellen des Rasenmähers sorgfältig darauf, dass Sie Ihre Finger nirgendwo zwischen den sich bewegenden Messern und starren Teilen verklemmen.
- **Für eine optimale Leistung und Sicherheit sollten Sie nur Toro Originalersatzteile und -zubehör kaufen.**

Verwenden Sie nie *Universal*-Teile und -Zubehör;
diese sind u. U. gefährlich.

Schalldruck

Dieses Gerät erzeugt einen Schalldruckpegel, der am Ohr des Benutzers 88 dBA beträgt (inkl. eines Unsicherheitswerts (K) von 1 dBA).

Der Schalldruckpegel wurde gemäß den Vorgaben in EN 836 gemessen.

Schalleistung

Dieses Gerät erzeugt einen Schalldruckpegel von 98 dBA beträgt (inkl. eines Unsicherheitswerts (K) von 1 dBA).

Der Schalldruckpegel wurde gemäß den Vorgaben in ISO 11094 gemessen.

Hand-/Armviolation

Das gemessene Vibrationsniveau für die rechte Hand beträgt 4,7 m/s²

Das gemessene Vibrationsniveau für die linke Hand beträgt 5,1 m/s²

Der Unsicherheitswert (K) beträgt 2,0 m/s²

Die Werte wurden nach den Vorgaben von EN 836 gemessen.

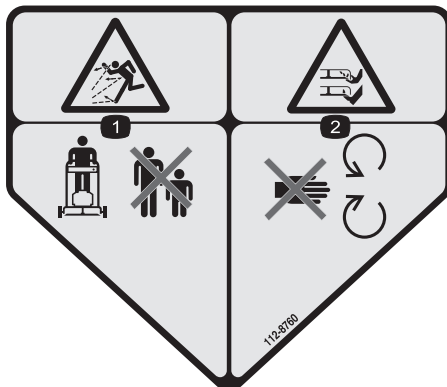
Sicherheits- und Bedienungsschilder

Wichtig: Sicherheits- und Bedienungsschilder sind in der Nähe potenzieller Gefahrenbereiche angebracht. Tauschen Sie beschädigte Schilder aus.



Herstellermarke

1. Gibt an, dass das Messer Teil der Originalmaschine des Herstellers ist.



112-8760

1. Gefahr durch fliegende Teile: Achten Sie darauf, dass Unbeteiligte den Sicherheitsabstand zum Gerät einhalten.
2. Gefahr einer Schnittwunde und/oder der Amputation von Händen oder Füßen: Halten Sie sich von beweglichen Teilen fern.



114-7982

1. Warnung: Lesen Sie die *Bedienungsanleitung*.
2. Gefahr durch fliegende Teile: Achten Sie darauf, dass Unbeteiligte den Sicherheitsabstand zum Gerät einhalten.
3. Schnitt- bzw. Amputationsgefahr an Händen und Füßen beim Schnittmesser: Ziehen Sie den Zündkerzenstecker ab und lesen Sie die Anweisungen, bevor Sie Wartungs- oder Reparaturarbeiten ausführen.
4. Gefahr einer Schnittwunde und/oder der Amputation von Händen oder Füßen durch Mähwerkmesser: Halten Sie sich von beweglichen Teilen fern.
5. Schnitt- bzw. Amputationsgefahr von Händen oder Füßen durch Mähwerkmesser: Mähen Sie nie hangaufwärts oder -abwärts, mähen Sie immer waagrecht zum Hang. Stellen Sie den Motor ab, bevor Sie die Bedienungsposition verlassen. Schauen Sie nach hinten, wenn Sie rückwärts fahren.



112-8867

1. Einrasten
2. Ausrasten

Einrichtung

Wichtig: Nehmen Sie den Plastikschutz ab, mit dem der Motor abgedeckt ist. Werfen Sie ihn ab.

1

Einbauen des Schaltbügels

Keine Teile werden benötigt

Verfahren

Montieren Sie den Schaltbügel im oberen Bügel (Bild 3).

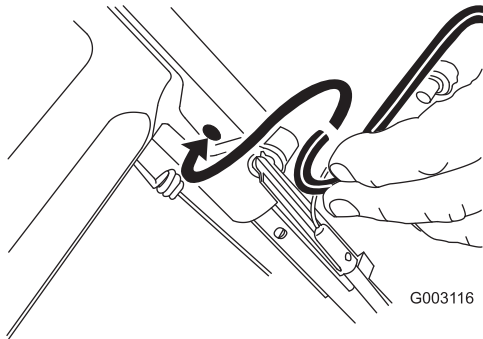


Bild 3

2

Montieren des Griffs

Keine Teile werden benötigt

Verfahren

⚠️ WARNUNG:

Wenn Sie den Bügel falsch auf- oder zusammenklappen, können Sie die Kabel beschädigen und den sicheren Geräteinsatz gefährden.

- Beschädigen Sie beim Auf- oder Zusammenklappen des Bügels nicht die Kabel.
- Wenden Sie sich bei einem beschädigten Kabel an einen offiziellen Vertragshändler.

1. Nehmen Sie die Bügelhandräder vom Maschinengehäuse ab (Bild 4).

Wichtig: Verlegen Sie beim Einbauen des Griffs die Kabel an der Außenseite der Griffhandräder.

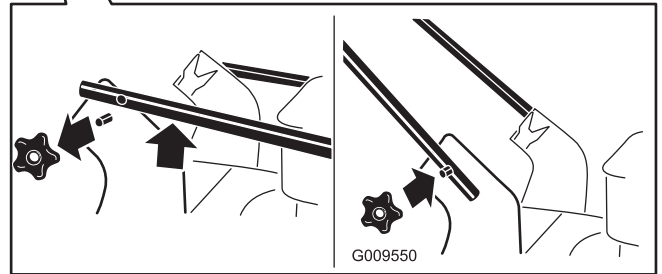
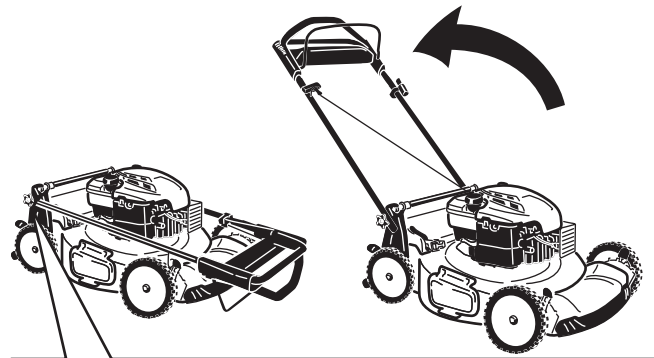


Bild 4

2. Schieben Sie den Griff in die Betriebsstellung.
3. Befestigen und ziehen Sie die Bügelhandräder fest, die Sie in Schritt 1 entfernt haben.

3

Befestigen des Rücklaufstarterseils in der Seilführung

Keine Teile werden benötigt

Verfahren

Wichtig: Befestigen Sie das Rücklaufstarterseil in der Seilführung, um den Motor sicher und mühelos anzulassen.

Ziehen Sie das Starterseil durch die Seilführung am Bügel (Bild 5).

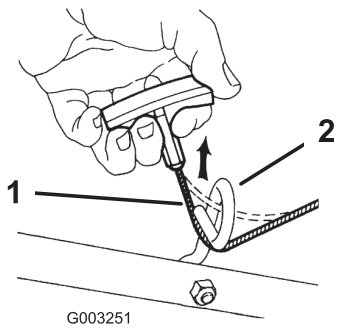


Bild 5

1. Rücklaufstarterseil 2. Seilführung

4

Auffüllen des Motors mit Öl

Keine Teile werden benötigt

Verfahren

Wichtig: Die Maschine hat bei der Auslieferung kein Öl im Motor. Füllen Sie das Motorkurbelgehäuse vor dem Anlassen mit Öl.

1. Stellen Sie die Maschine auf einer ebenen Fläche ab.
2. Entfernen Sie den Peilstab (Bild 6) und füllen Sie Öl in den Einfüllstutzen bis ca. 3/4 des Füllvolumens des Kurbelgehäuses ein.

Hinweis: Max. Füllstand: 0,59 l, Typ: Waschaktives SAE 30-Öl mit der Klassifizierung SF, SG, SH, SJ, SL oder höher durch das American Petroleum Institute (API).

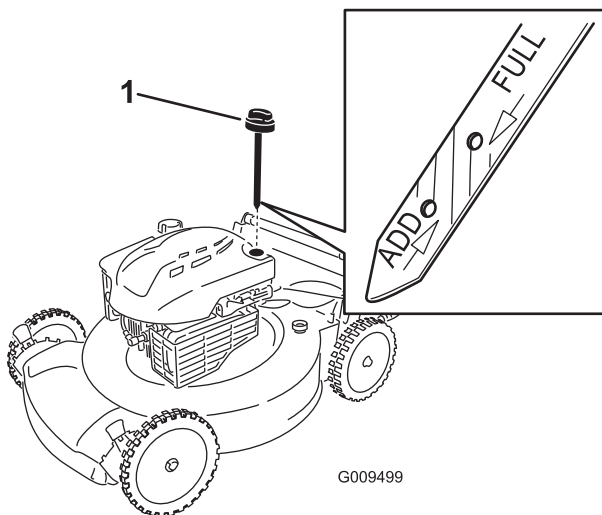


Bild 6

1. Peilstab

3. Wischen Sie den Peilstab mit einem sauberen Lappen ab.
4. Stecken Sie den Ölpeilstab vollständig in den Einfüllstutzen.
5. Nehmen Sie den Peilstab heraus und lesen Sie den Ölstand am Peilstab ab, siehe Bild 6.
 - Wenn der Ölstand unter der **Nachfüll**-Marke ist, gießen Sie langsam etwas Öl in den Einfüllstutzen, warten Sie drei Minuten und wiederholen die Schritte 3 bis 5, um den Ölstand auf die **Voll**-Marke am Peilstab anzuheben.
 - Wenn der Ölstand über der **Voll**-Marke am Peilstab liegt, lassen Sie Öl ab, bis der Ölstand an der **Voll**-Marke am Peilstab liegt. Weitere Informationen zum Ablassen des Öls finden Sie unter Wechseln des Motoröls (Seite 17).

Wichtig: Wenn der Ölstand im Kurbelgehäuse zu hoch oder zu niedrig ist, und Sie den Motor laufen lassen, können Motorschäden auftreten.

6. Stecken Sie den Peilstab fest in den Einfüllstutzen.

Wichtig: Wechseln Sie das Motoröl nach den ersten fünf Betriebsstunden und danach jährlich. Siehe Wechseln des Motoröls (Seite 17).

Produktübersicht

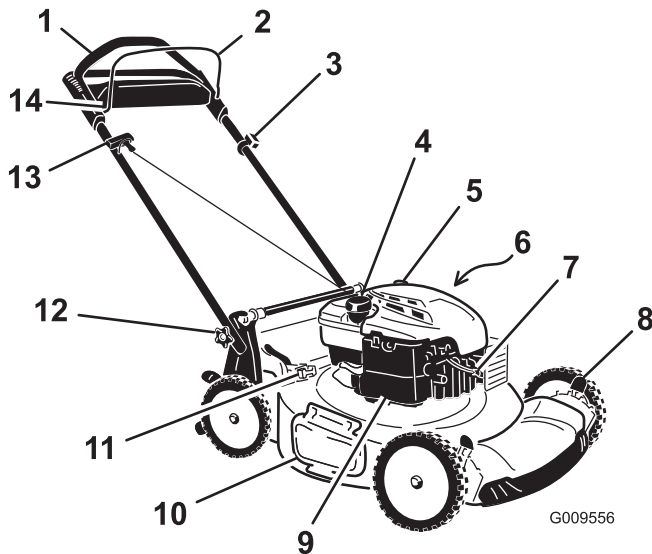


Bild 7

- | | |
|--|----------------------------------|
| 1. Bügel | 8. Schnitthöheneinstellhebel (4) |
| 2. Schaltbügel | 9. Luftfilter |
| 3. Zündschloss | 10. Seitenauswurfkanal |
| 4. Tankdeckel | 11. Zuschaltbarer Fangkorb-Hebel |
| 5. Einfüllstutzen/Ölpeilstab | 12. Griffhandrad (2) |
| 6. Wasseranschluss (nicht dargestellt) | 13. Rücklaufstarterbügel |
| 7. Zündkerze | 14. Schaltbügelsperre |

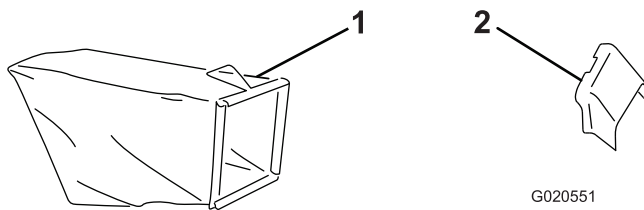


Bild 8

- | | |
|-------------|-----------------------|
| 1. Fangkorb | 2. Seitenauswurfkanal |
|-------------|-----------------------|

Technische Daten

Modell	Gewicht	Länge	Breite	Höhe
20958	41 kg	150 cm	58 cm	107 cm

Betrieb

Betanken

⚠ GEFAHR

Benzin ist brennbar und explodiert schnell. Feuer und Explosionen durch Benzin können Verbrennungen bei Ihnen und anderen Personen verursachen.

- Stellen Sie den Kanister bzw. die Maschine vor dem Auftanken auf den Boden und nicht auf ein Fahrzeug oder auf ein Objekt, um eine elektrische Ladung durch das Entzünden des Benzins zu vermeiden.
- Füllen Sie den Tank außen, wenn der Motor kalt ist. Wischen Sie verschütteten Kraftstoff auf.
- Rauchen Sie nicht beim Umgang mit Benzin, und gehen Sie nicht in der Nähe von offenem Feuer oder Funken mit Benzin um.
- Bewahren Sie Benzin nur in zugelassenen Kanistern und an einem für Kinder unzugänglichen Ort auf.
- Die besten Ergebnisse erhalten Sie, wenn Sie sauberes, frisches, bleifreies Benzin mit einer Mindestoktanzahl von 87 (R+M)/2 verwenden.
- Mit Sauerstoff angereicherter Kraftstoff mit 10% Ethanol oder 15% MTBE (Volumenanteil) ist auch geeignet.
- Verwenden Sie **keine** Benzin-Ethanolmischungen (z.B. E15 oder E85) mit mehr als 10 % Ethanol (Volumenanteil). Sonst können Leistungsprobleme und/oder Motorschäden auftreten, die ggf. nicht von der Garantie abgedeckt sind.
- Verwenden Sie **kein** Benzin mit Methanol.
- Lagern Sie **keinen** Kraftstoff im Kraftstofftank oder in Kraftstoffbehältern über den Winter, wenn Sie keinen Kraftstoffstabilisator verwenden.
- Vermischen Sie **nie** Benzin mit Öl.

Wichtig: Fügen Sie zur Vermeidung von Anlassproblemen beim Kraftstoff in jeder Saison Kraftstoffstabilisator zu. Mischen Sie den Stabilisator mit Benzin, das nicht älter als 30 Tage ist.

1. Reinigen Sie den Bereich um den Tankdeckel und nehmen den Deckel ab (Bild 9).

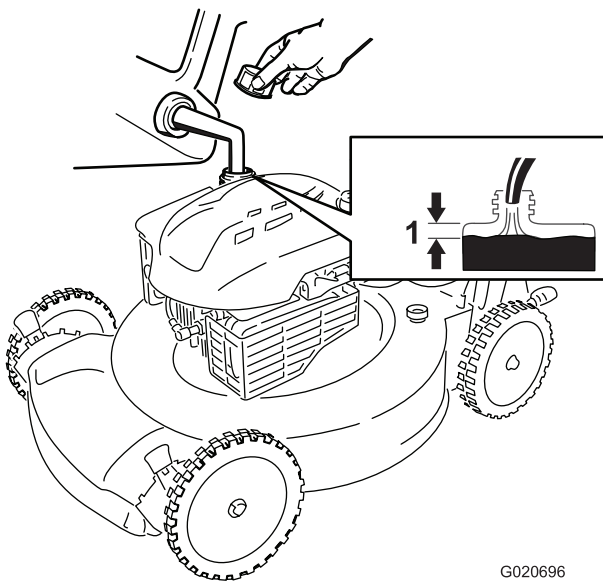


Bild 9

G020696

1. 6 mm

2. Füllen Sie den Kraftstofftank; lassen Sie mindestens einen Leerraum von 6 mm bis zur Unterkante des Einfüllstutzens, damit sich das Benzin ausdehnen kann.
3. Setzen Sie den Tankdeckel auf und ziehen ihn mit der Hand fest.

Prüfen des Motorölstands

Wartungsintervall: Bei jeder Verwendung oder täglich

Hinweis: Max. Füllstand: 0,59 l, Typ: Waschaktives SAE 30-Öl mit der Klassifizierung SF, SG, SH, SJ, SL oder höher durch das American Petroleum Institute (API).

1. Stellen Sie die Maschine auf einer ebenen Fläche ab.
2. Ziehen Sie den Ölmesstab heraus (Bild 10).

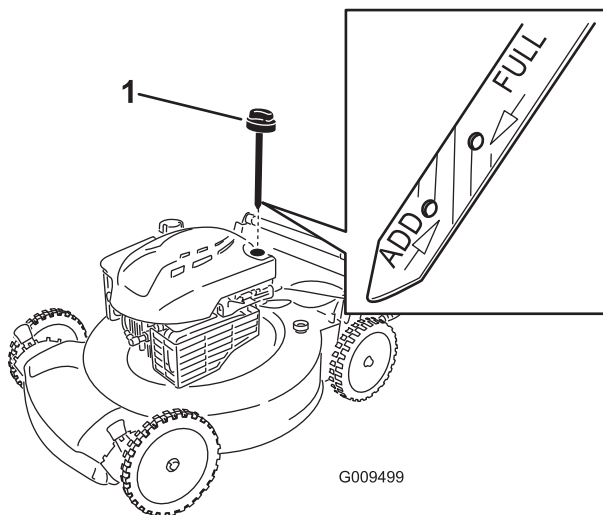


Bild 10

G009499

1. Peilstab

3. Wischen Sie den Peilstab mit einem sauberen Lappen ab.
4. Stecken Sie den Ölpeilstab vollständig in den Einfüllstutzen.
5. Nehmen Sie den Peilstab heraus und lesen Sie den Ölstand am Peilstab ab, siehe Bild 10.
 - Wenn der Ölstand unter der **Nachfüll**-Marke ist, gießen Sie langsam etwas Öl in den Einfüllstutzen, warten Sie drei Minuten und wiederholen die Schritte 3 bis 5, um den Ölstand auf die **Voll**-Marke am Peilstab anzuheben.
 - Wenn der Ölstand über der **Voll**-Marke am Peilstab liegt, lassen Sie Öl ab, bis der Ölstand an der **Voll**-Marke am Peilstab liegt. Weitere Informationen zum Ablassen des Öls finden Sie unter Wechseln des Motoröls (Seite 17).

Wichtig: Wenn der Ölstand im Kurbelgehäuse zu hoch oder zu niedrig ist, und Sie den Motor laufen lassen, können Motorschäden auftreten.

6. Stecken Sie den Peilstab fest in den Einfüllstutzen.

Einstellen der Schnitthöhe

⚠️ WARNUNG:

Wenn Sie die Schnitthöhe einstellen, können Sie mit dem Messer in Kontakt kommen und schwere Verletzungen erleiden.

- Stellen Sie den Motor ab und warten Sie, bis alle beweglichen Teile zum Stillstand gekommen sind.
- Führen Sie Ihre Finger beim Einstellen der Schnitthöhe nie unter das Mähwerk.

⚠️ ACHTUNG

Wenn der Motor gelaufen ist, ist der Auspuff sehr heiß und Sie könnten sich verbrennen. Berühren Sie nie den heißen Auspuff.

Stellen Sie die Schnitthöhe ein. Stellen Sie die Vorderräder auf dieselbe Höhe wie die Hinterräder ein (Bild 11).

Hinweis: Wenn Sie die Maschine anheben möchten, schieben Sie die vorderen Schnitthöheneinstellhebel nach hinten und die hinteren Schnitthöheneinstellhebel nach vorne. Wenn Sie die Maschine absenken möchten, schieben Sie die vorderen Schnitthöheneinstellhebel nach vorne und die hinteren Schnitthöheneinstellhebel nach hinten.

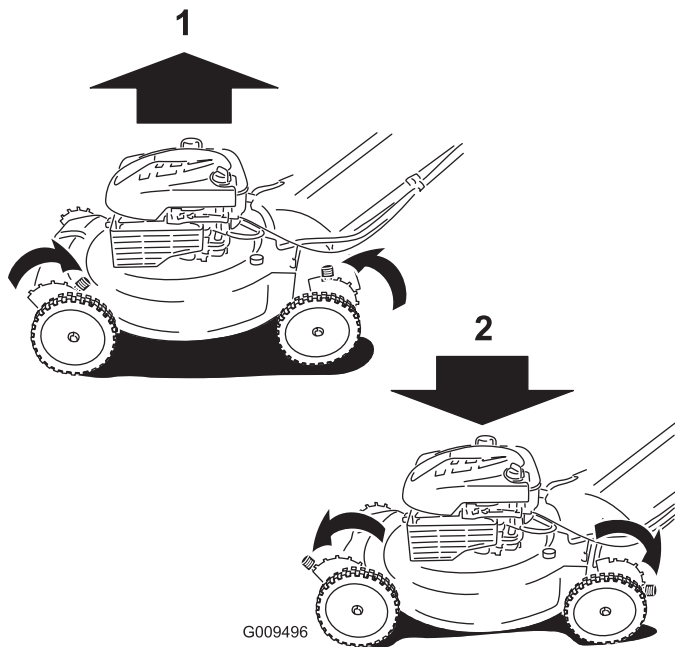


Bild 11

1. Anheben der Maschine 2. Absenken der Maschine

Hinweis: Die Schnitthöheneinstellungen sind 25 mm, 35 mm, 44 mm, 54 mm, 64 mm, 73 mm, 83 mm, 92 mm sowie 102 mm.

Anlassen des Motors

Ziehen Sie leicht am Rücklaufstartergriff, bis Sie einen Widerstand spüren. Ziehen Sie ihn dann kräftig durch (Bild 12). Lassen Sie das Seil langsam zum Bügel zurücklaufen.

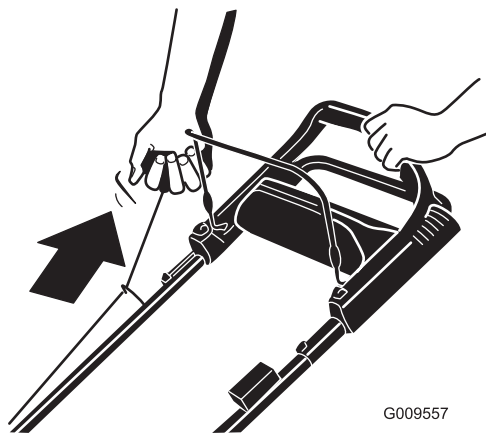


Bild 12

Hinweis: Wenn der Rasenmäher nach mehreren Versuchen nicht anspringt, wenden Sie sich an den offiziellen Vertragshändler.

Einsatz des Selbstantriebs

Um den Selbstantrieb zu benutzen, gehen Sie einfach vorwärts und halten Sie dabei Ihre Hände am oberen Bügel und Ihre Ellbogen an Ihren Seiten; die Maschine hält automatisch mit Ihnen Schritt (Bild 13).

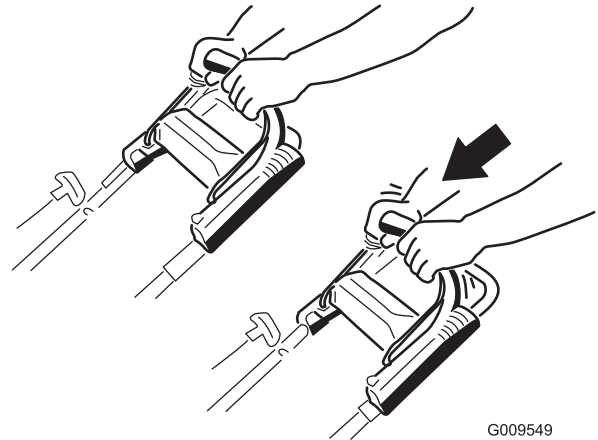


Bild 13

Hinweis: Wenn die Maschine nicht ungehindert nach dem Selbstantrieb rückwärts rollt, gehen Sie nicht weiter, lassen Sie die Hände am Bügel und lassen Sie die Maschine ein paar Zentimeter vorwärts rollen, um den Radantrieb einzukuppeln. Sie können auch unter dem oberen Bügel den Metallbügel anfassen und die Maschine ein paar Zentimeter nach vorne schieben. Wenn die Maschine immer noch nicht ungehindert rückwärts rollt, wenden Sie sich an den offiziellen Vertragshändler.

Abstellen des Motors

Halten Sie den Zündschalter in der Stopp-Stellung, bis sich der Motor abstellt (Bild 14).

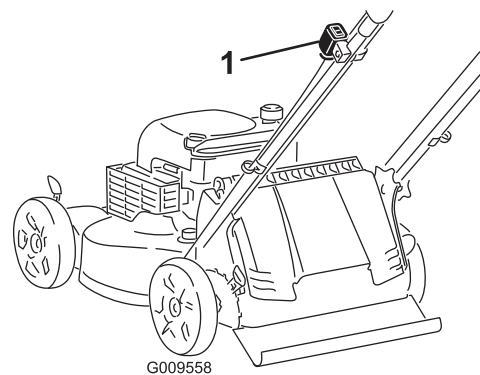


Bild 14

1. Zündschloss

Einkuppeln des Messers

Wenn Sie den Motor starten, dreht sich das Messer nicht. Sie müssen das Messer zum Mähen einkuppeln.

1. Ziehen Sie die Schaltbügelsperre zurück (Bild 15).

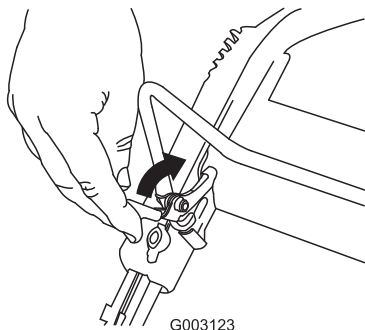


Bild 15

2. Ziehen Sie den Schaltbügel gegen den Bügel (Bild 16).

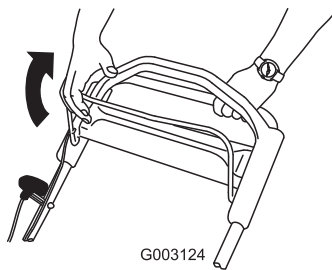


Bild 16

3. Halten Sie den Schaltbügel gegen den Bügel gedrückt (Bild 17).

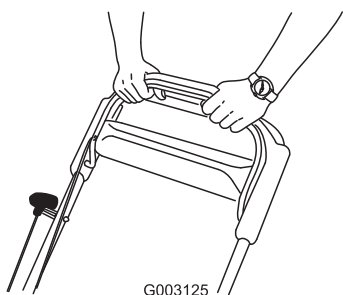


Bild 17

Auskuppeln des Messers

Lassen Sie den Schaltbügel los (Bild 18).

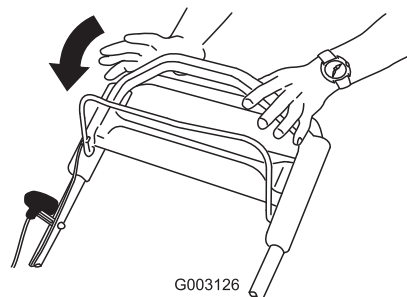


Bild 18

Wichtig: Wenn Sie den Schaltbügel loslassen, sollte das Messer innerhalb von 3 Sekunden abstellen. Wenn dies nicht der Fall ist, setzen Sie die Maschine nicht mehr ein und wenden Sie sich sofort an einen offiziellen Vertragshändler.

Prüfen der Funktion der Messerbremse

Prüfen Sie den Schaltbügel vor jedem Einsatz, um die einwandfreie Funktion der Messerbremse sicherzustellen.

Verwenden des Fangkorbs

Wartungsintervall: Bei jeder Verwendung oder täglich

Sie können die Funktion der Messerbremse nochmals mit dem Grasfangkorb prüfen.

1. Setzen Sie den leeren Grasfangkorb an der Maschine ein.
2. Lassen Sie den Motor an.
3. Schalten Sie das Schnittmesser zu.

Hinweis: Der Korb muss beginnen, sich aufzublasen, wodurch angezeigt wird, dass das Messer eingekuppelt ist und sich dreht.

4. Lassen Sie den Schaltbügel los.

Hinweis: Wenn der Grasfangkorb nicht sofort seine Luft verliert, dreht sich das Messer noch. Die Funktion der Messerbremse kann abnehmen, was zu einem unsicheren Betriebszustand führen kann. Lassen Sie die Maschine von einem offiziellen Vertragshändler prüfen und instandsetzen.

5. Stellen Sie den Motor ab und warten Sie, bis alle beweglichen Teile zum Stillstand gekommen sind.

Kein Verwenden des Grasfangsacks

1. Fahren Sie die Maschine auf eine windgeschützte, befestigte Fläche.

2. Stellen Sie alle vier Räder auf die Schnitthöheneinstellung von 83 mm ein.
3. Knüllen Sie ein halbes Blatt Zeitungspapier zu einer Kugel zusammen, die unter das Rasenmähergehäuse passt (Durchmesser von ca. 76 mm).
4. Legen Sie die Papierkugel ca. 13 cm vor die Maschine.
5. Lassen Sie den Motor an.
6. Schalten Sie das Schnittmesser zu.
7. Lassen Sie den Schaltbügel los.
8. Schieben Sie die Maschine sofort über das Zeitungspapierknäuel.
9. Stellen Sie den Motor ab und warten Sie, bis alle sich bewegenden Teile zum Stillstand gekommen sind.
10. Gehen Sie zur Vorderseite der Maschine und prüfen Sie das Zeitungspapierknäuel.

Hinweis: Wenn das Knäuel nicht unter die Maschine ging, wiederhole Sie die Schritte 4 bis 10.

11. Wenn sich das Zeitungspapierknäuel aufgerollt hat oder zerschnitzelt wurde, hat sich das Messer nicht einwandfrei abgestellt, d. h. der Betrieb ist nicht sicher. Setzen Sie sich dann mit Ihrem Toro Vertragshändler in Verbindung.

Wenn der Seitenauswurfkanal an der Maschine montiert ist, entfernen Sie ihn (siehe Entfernen des Seitenauswurfkanals (Seite 14)), bevor Sie das Schnittgut im Fangkorb sammeln. Wenn der Hebel für den zuschaltbaren Fangkorb in der Recycler-Stellung ist, schieben Sie ihn in die Fangkorb-Stellung, siehe Verwenden des Hebels für den zuschaltbaren Fangkorb (Seite 13).

⚠️ WARNUNG:

Das Messer ist scharf; ein Kontakt damit kann zu schweren Verletzungen führen.

Stellen Sie den Motor ab und warten Sie, bis alle sich drehenden Teile zum Stillstand gekommen sind, bevor Sie die Bedienungsposition verlassen.

Montieren des Fangkorbs

1. Heben Sie das hintere Ablenkblech an und halten Sie es hoch (Bild 19).

Schnittgutrecyclen

Der Rasenmäher ist werksseitig auf das Recyclen von Schnittgut und Laub eingestellt.

Wenn der Grasfangkorb an der Maschine angebracht ist, und der Hebel für den zuschaltbaren Fangkorb auf der Fangkorb-Stellung steht, schieben Sie den Hebel in die Recycler-Stellung (siehe Verwenden des Hebels für den zuschaltbaren Fangkorb (Seite 13)), bevor Sie das Schnittgut recyceln. Wenn der Seitenauswurfkanal an der Maschine montiert ist, entfernen Sie ihn (siehe Entfernen des Seitenauswurfkanals (Seite 14)), bevor Sie das Schnittgut recyceln.

Sammeln des Schnittguts

Verwenden Sie den Fangkorb, wenn Sie Schnittgut und Laub im Fangkorb sammeln möchten.

⚠️ WARNUNG:

Ein verschlissener Fangkorb kann das Ausschleudern kleiner Steine und ähnlicher Gegenstände in Richtung des Benutzers und Unbeteiligter zulassen. Das kann schwere oder tödliche Verletzungen für den Bediener und Unbeteiligte bedeuten.

Prüfen Sie den Fangkorb regelmäßig. Tauschen Sie ihn, wenn er beschädigt ist, gegen einen neuen Toro Ersatzkorb aus.

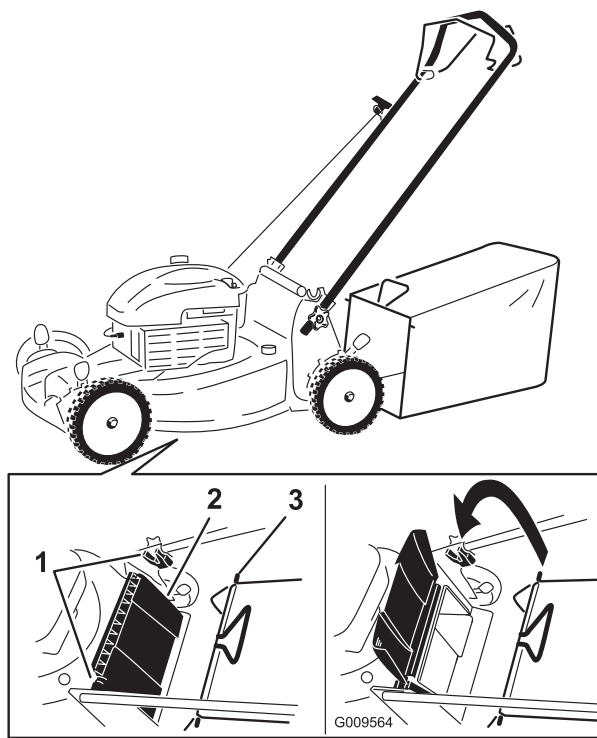


Bild 19

1. Kerben
2. Hinteres Ablenkblech
3. Fangkorbrahmenstift (2)

2. Setzen Sie den Grasfangkorb ein, stellen Sie sicher, dass die Stifte am Fangkorb in den Kerben am Griff sind (Bild 19).
3. Senken Sie das hintere Ablenkblech ab.

Entfernen des Fangkorbs

Gehen Sie umgekehrt vor, wenn Sie den Korb abnehmen möchten.

Verwenden des Hebels für den zuschaltbaren Fangkorb

Mit dem zuschaltbaren Fangkorb können Sie Schnittgut und Laub entweder sammeln oder recyceln, wenn der Grasfangkorb an der Maschine angebracht ist.

- Zum Sammeln des Schnittguts und Laubs drücken Sie die Taste am Hebel für den zuschaltbaren Fangkorb und bewegen den Hebel nach vorne, bis die Taste am Hebel herauspringt (Bild 20).

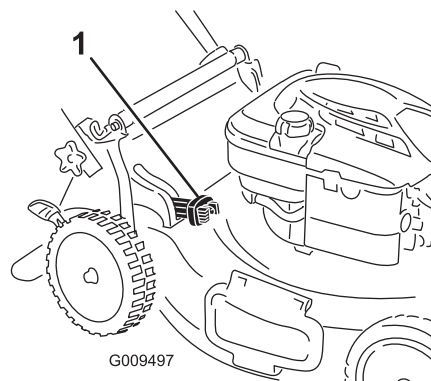


Bild 20

1. Hebel für den zuschaltbaren Fangkorb (in Fangkorb-Stellung)

- Zum Recyceln des Schnittguts und Laubs drücken Sie die Taste am Hebel und bewegen den Hebel nach hinten, bis die Taste am Hebel herauspringt.

Wichtig: Für einen einwandfreien Betrieb sollten Sie Schnittgut und Rückstände von der Klappe des zuschaltbaren Fangkorbs und den umgebenden Öffnungen entfernen (Bild 21), bevor Sie die Stellung des Hebels für den zuschaltbaren Fangkorb ändern.

⚠️ WARNUNG:

Das Messer ist scharf; ein Kontakt damit kann zu schweren Verletzungen führen. Ein offener Heckauswurfbereich kann das Ausschleudern kleiner Steine und ähnlicher Gegenstände in Richtung des Benutzers und Unbeteiligter zulassen. Das kann schwere oder tödliche Verletzungen für den Bediener und Unbeteiligte bedeuten.

Stellen Sie den Motor ab und warten Sie, bis alle sich beweglichen Teile zum Stillstand gekommen sind, bevor Sie die Klappe des zuschaltbaren Fangkorbs und die umgebenden Öffnungen reinigen.

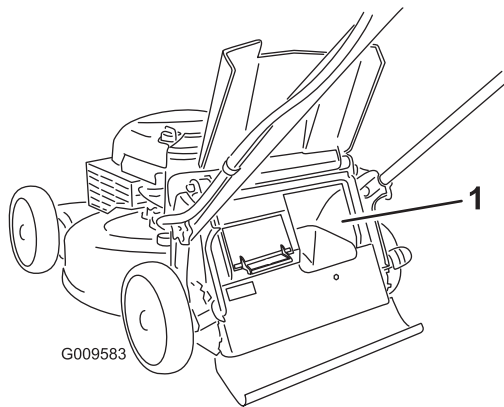


Bild 21

1. An dieser Stelle reinigen

Seitenauswurf des Schnittguts

Verwenden Sie den Seitenauswurf, wenn Sie sehr hohes Gras schneiden.

Wenn der Grasfangkorb an der Maschine angebracht ist, und der Hebel für den zuschaltbaren Fangkorb auf der Fangkorb-Stellung steht, schieben Sie den Hebel in die Recycler-Stellung, siehe Verwenden des Hebels für den zuschaltbaren Fangkorb (Seite 13).

⚠ WARNUNG:

Das Messer ist scharf; ein Kontakt damit kann zu schweren Verletzungen führen.

Stellen Sie den Motor ab und warten Sie, bis alle sich drehenden Teile zum Stillstand gekommen sind, bevor Sie die Bedienungsposition verlassen.

Einbauen des Seitenauswurfkanals

Heben Sie das seitliche Ablenkblech an und setzen Sie den Seitenauswurfkanal ein (Bild 22).



Bild 22

Entfernen des Seitenauswurfkanals

Zum Entfernen des Seitenauswurfkanals heben Sie das seitliche Ablenkblech an, entfernen den Seitenauswurfkanal und senken das seitliche Auswurfablenkblech ab.

Betriebshinweise

Allgemeine Mähtipps

- Räumen Sie Gehölz, Steine, Drähte, Äste und andere Fremdkörper, auf die das Messer aufprallen könnte, aus dem Arbeitsbereich.

- Vermeiden Sie, dass das Messer auf Fremdkörper aufprallt. Mähen Sie nie absichtlich über irgendwelchen Gegenständen.
- Stellen Sie den Motor sofort ab, wenn der Mäher auf einen Gegenstand aufprallt oder anfängt zu vibrieren, ziehen den Kerzenstecker von der Zündkerze und untersuchen Sie den Mäher auf eventuelle Beschädigungen.
- Montieren Sie für die optimale Leistung vor dem Saisonbeginn ein neues Messer.
- Tauschen Sie die Messer bei Bedarf durch ein Toro Originalersatzmesser aus.
- Lassen Sie die Bahnen überlappen, anstelle bei jedem Gang eine neue Bahn zu mähen.
- Stellen Sie die Schnitthöhe vorne um eine Auskerbung tiefer als an den Hinterrädern. Stellen Sie beispielsweise die Vorderräder auf die 54-mm-Einstellung und die Hinterräder auf 64 mm ein.

Mähen

- Mähen Sie immer nur ein Drittel des Grashalms in einem Durchgang. Mähen Sie nicht unter der 54-mm-Einstellung, es sei denn, das Gras wächst sehr fein, oder es ist Spätherbst und das Graswachstum lässt nach. Siehe Einstellen der Schnitthöhe (Seite 9).
- Stellen Sie beim ersten Durchgang die Schnitthöhe auf die höchste Einstellung und gehen langsamer, wenn Sie Gras mähen, das länger als 15 cm ist. Mähen Sie dann noch einmal mit einer niedrigeren Einstellung, um dem Rasen das gewünschte Schnittbild zu geben. Wenn das Gras zu lang ist, kann die Maschine verstopfen und der Motor kann abstellen.
- Mähen Sie nur trockene(s) Gras oder Blätter. Nasses Gras und Laub neigen zum Verklumpen im Garten und können ein Verstopfen des Rasenmähers und ein Abstellen des Motors verursachen.

⚠️ WARNUNG:

Nasses Gras und/oder nasse Blätter können zu schweren Verletzungen führen, sollten Sie darauf ausrutschen und mit dem Messer in Berührung kommen. Mähen Sie nur unter trockenen Bedingungen.

- In sehr trockenen Bedingungen besteht eine Brandgefahr. Halten Sie alle lokalen Brandgefahrwarnungen ein und entfernen Sie trockenes Gras und Laub von der Maschine.
- Wechseln Sie häufig die Mährichtung. Dadurch verteilt sich das Schnittgut besser auf der Rasenfläche und bewirkt ein effektiveres Düngen.
- Probieren Sie bei einem unbefriedigenden Erscheinungsbild der Rasenfläche eine der folgenden Abhilfen aus:
 - Wechseln Sie das Messer aus oder lassen Sie es schärfen.
 - Gehen Sie beim Mähen langsamer.
 - Heben Sie die Schnitthöhe des Rasenmähers an.
 - Mähen Sie häufiger.

Schnetzeln von Laub

- Stellen Sie nach dem Mähen sicher, dass die Hälfte des Rasens durch die Schnittgutdecke sichtbar ist. Dabei müssen Sie unter Umständen mehrmals über Blätter mähen.
- Stellen Sie die vordere Schnitthöhe um eine oder zwei Auskerbungen höher als die hintere, wenn eine Blattdecke von mehr als 13 cm auf dem Rasen liegt.
- Mähen Sie langsamer, wenn die Maschine das Laub nicht fein genug häckselt.

Wartung

Hinweis: Bestimmen Sie die linke und rechte Seite der Maschine anhand der üblichen Einsatzposition.

Empfohlener Wartungsplan

Wartungsintervall	Wartungsmaßnahmen
Nach fünf Betriebsstunden	<ul style="list-style-type: none">• Wechseln Sie das Motoröl.
Bei jeder Verwendung oder täglich	<ul style="list-style-type: none">• Prüfen Sie den Ölstand im Motor.• Prüfen Sie die Funktion der Messerbremse.• Entfernen Sie Schnittgut und Schmutz von der Unterseite des Maschinengehäuses.
Alle 25 Betriebsstunden	<ul style="list-style-type: none">• Wechseln Sie den Luftfilter aus (häufiger unter staubigen Bedingungen).• Reinigen Sie das Schutzblech der Messerbremse.
Vor der Einlagerung	<ul style="list-style-type: none">• Entleeren Sie den Kraftstofftank laut Anweisung vor irgendwelchen Reparaturen und der Einlagerung.
Jährlich	<ul style="list-style-type: none">• Wechseln Sie das Motoröl.• Wechseln Sie das Messer aus oder lassen Sie es schärfen (öfter, wenn die Kanten schnell stumpf werden).• Reinigen Sie die Kühlanlage, reinigen Sie diese öfter in staubigen Bedingungen. Weitere Angaben finden Sie in der Motorbedienungsanleitung.• Beachten Sie für weitere jährliche Wartungsmaßnahmen die Motorbedienungsanleitung.

Wichtig: Beachten Sie für weitere Wartungsmaßnahmen die Bedienungsanleitung.

Hinweis: Ersatzteile erhalten Sie vom offiziellen Vertragshändler (suchen Sie den örtlichen Händler unter www.Toro.com oder unter www.shoptoro.com).

Vorbereiten für die Wartung

1. Stellen Sie den Motor ab und warten Sie, bis alle beweglichen Teile zum Stillstand gekommen sind.
2. Ziehen Sie das Zündkabel von der Zündkerze (Bild 23) ab, bevor Sie Wartungsarbeiten ausführen.

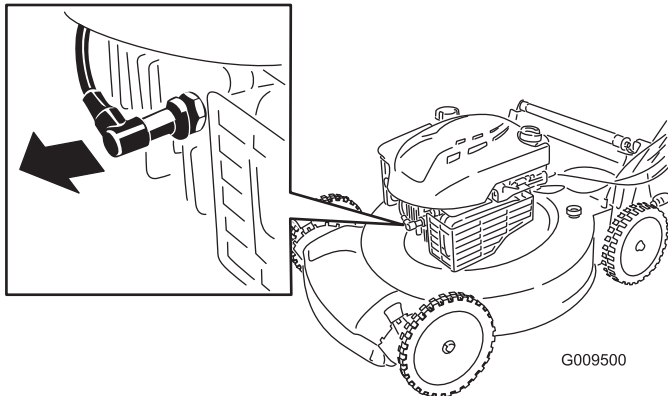


Bild 23

kippen müssen, während sich Kraftstoff im Tank befindet, pumpen Sie den Kraftstoff mit einer Handpumpe ab. Kippen Sie die Maschine immer so auf die Seite, dass der Peilstab nach unten zeigt.

⚠️ WARNUNG:

Ein Kippen der Maschine kann zu einem Verschütten von Kraftstoff führen. Benzin ist entflammbar, explosiv und kann Verletzungen verursachen.

Lassen Sie den Motor laufen, bis kein Kraftstoff mehr im Tank ist, oder pumpen Sie den Kraftstoff ab. Sie sollten auf keinen Fall versuchen, Kraftstoff abzusaugen.

Auswechseln des Luftfilters

Wartungsintervall: Alle 25 Betriebsstunden

1. Öffnen Sie die Luftfilterabdeckung mit einem Schraubenzieher (Bild 24).

3. Stecken Sie nach dem Abschluss der Wartungsarbeiten das Zündkabel wieder auf die Zündkerze.

Wichtig: Lassen Sie den Motor laufen, bis er aufgrund von Kraftstoffmangel abstellt, bevor Sie den Rasenmäher umkippen, um das Öl oder Messer zu wechseln. Wenn Sie die Maschine

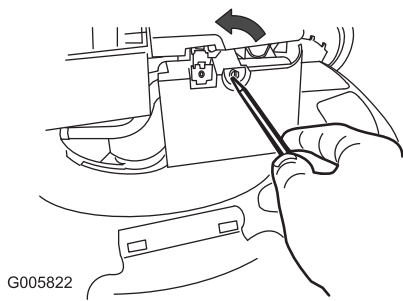


Bild 24

2. Tauschen Sie den Luftfilter aus (Bild 25).

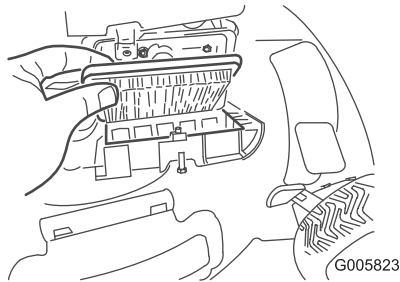


Bild 25

3. Setzen Sie die Abdeckung auf.

Wechseln des Motoröls

Wartungsintervall: Nach fünf Betriebsstunden

Jährlich

Premium Motoröl von Toro ist vom Vertragshändler erhältlich.

1. Stellen Sie die Maschine auf einer ebenen Fläche ab.
2. Stellen Sie sicher, dass der Kraftstofftank nur wenig oder keinen Kraftstoff enthält, sodass kein Kraftstoff ausläuft, wenn Sie den Rasenmäher seitlich kippen.
3. Lassen Sie den Motor ein paar Minuten laufen, bevor Sie das Öl wechseln, um es aufzuwärmen.

Hinweis: Warmes Öl fließt besser und führt mehr Fremdstoffe mit sich.
4. Klemmen Sie das Zündkabel von der Zündkerze ab Vorbereiten für die Wartung (Seite 16).
5. Stellen Sie eine Ölauffangwanne an der Seite neben dem Öleinfüllstutzen neben die Maschine.
6. Nehmen Sie den Peilstab aus dem Öleinfüllstutzen (Bild 26).

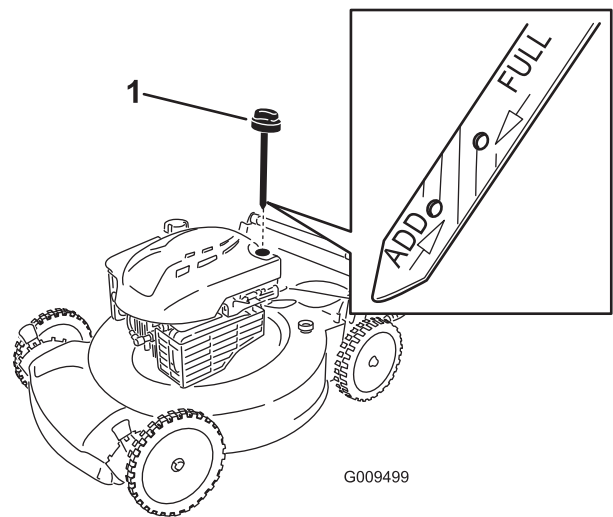


Bild 26

1. Peilstab

7. Kippen Sie die Maschine zur Seite, der Einfüllstutzen zeigt nach unten, um das Altöl über den Einfüllstutzen in eine Auffangwanne abzulassen (Bild 27).

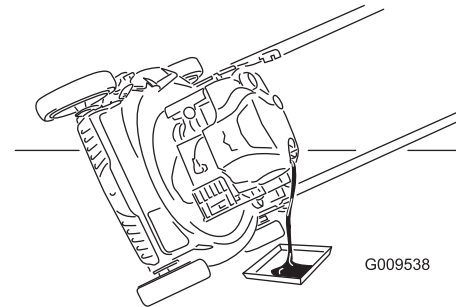


Bild 27

8. Stellen Sie die Maschine nach dem Ablassen des Altöls wieder in die Betriebsstellung.
9. Gießen Sie circa drei Viertel der maximalen Füllmenge in das Kurbelgehäuse.
10. Warten Sie drei Minuten, damit sich das Öl setzen kann.
11. Wischen Sie den Ölpeilstab mit einem sauberen Lappen ab.
12. Stecken Sie den Ölpeilstab vollständig in den Einfüllstutzen.
13. Nehmen Sie den Peilstab heraus und lesen Sie den Ölstand ab.
 - Wenn der Ölstand unter der **Nachfüll**-Marke ist, gießen Sie langsam etwas Öl in den Einfüllstutzen, warten Sie drei Minuten und wiederholen die Schritte 11 bis 13, um den Ölstand auf die **Voll**-Marke am Peilstab anzuheben.
 - Wenn der Ölstand über der **Voll**-Marke am Peilstab liegt, lassen Sie Öl ab, bis der Ölstand an der **Voll**-Marke am Peilstab liegt.

Wichtig: Wenn der Ölstand im Kurbelgehäuse zu hoch oder zu niedrig ist, und Sie den Motor laufen lassen, können Motorschäden auftreten.

14. Stecken Sie den Peilstab fest in den Einfüllstutzen.
15. Entsorgen Sie das Altöl bei einem zugelassenen Recyclingcenter.

Auswechseln des Messers

Wartungsintervall: Jährlich

Wichtig: Sie benötigen für den richtigen Einbau des Messers einen Drehmomentschlüssel. Wenn Sie keinen Drehmomentschlüssel haben oder diese Arbeit nicht ausführen möchten, wenden Sie sich an einen offiziellen Vertragshändler.

Prüfen Sie das Messer, wenn der Kraftstofftank leer ist. Wechseln Sie das Messer sofort aus, wenn es beschädigt oder gerissen ist. Schärfen Sie die Messerkante, wenn sie stumpf ist oder Einkerbungen aufweist. Wechseln Sie ggf. das Messer aus.

⚠️ WARNUNG:

Das Messer ist scharf; ein Kontakt damit kann zu schweren Verletzungen führen.

Tragen Sie Handschuhe, wenn Sie das Messer warten.

1. Siehe Vorbereiten für die Wartung (Seite 16).
2. Kippen Sie die Maschine immer so auf die Seite, dass der Peilstab nach unten zeigt.
3. Entfernen Sie die beiden Messermuttern und die Verstärkung (Bild 28).

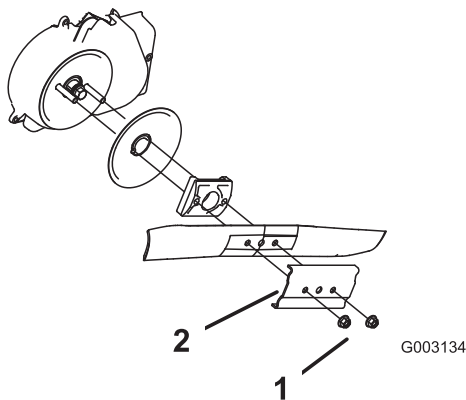


Bild 28

1. Messermuttern
2. Verstärkung

4. Nehmen Sie das Messer heraus (Bild 28).
5. Bauen Sie das neue Messer ein (Bild 28).
6. Befestigen Sie die Verstärkung mit den in Schritt 3 entfernten zwei Messermuttern.

Hinweis: Ziehen Sie die Messermuttern mit 20 bis 37 Nm an.

Reinigen des Schutzblechs der Messerbremse

Wartungsintervall: Alle 25 Betriebsstunden

Säubern Sie das Schutzblech der Messerbremse einmal im Jahr, um zu verhindern, dass das Messer beim Mähen blockiert.

1. Siehe Vorbereiten für die Wartung (Seite 16).
2. Kippen Sie die Maschine immer so auf die Seite, dass der Peilstab nach unten zeigt.
3. Entfernen Sie die beiden Messermuttern und die Verstärkung (Bild 29).

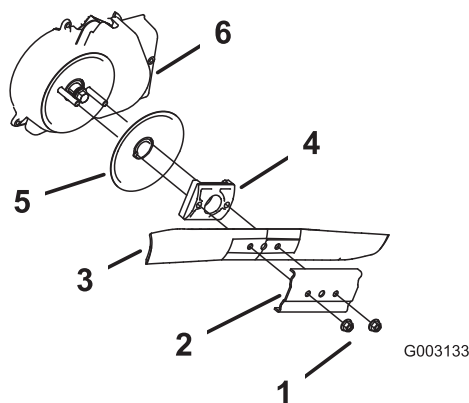


Bild 29

- | | |
|------------------|---------------------------------|
| 1. Messermuttern | 4. Messermitnehmer |
| 2. Verstärkung | 5. Antiskalpierscheibe |
| 3. Messer | 6. Schutzblech der Messerbremse |

4. Entfernen Sie das Messer (Bild 29).
5. Entfernen Sie den Messermitnehmer und die Antiskalpierscheibe (Bild 29).
6. Entfernen Sie das Schutzblech der Messerbremse (Bild 29).
7. Bürsten oder blasen Sie Rückstände von der Innenseite des Schutzblechs und von allen Teile heraus.
8. Bringen Sie das zuvor entfernte Schutzblech der Messerbremse wieder an.
9. Bringen Sie den zuvor ausgebauten Messermitnehmer und die Antiskalpierscheibe wieder an.
10. Befestigen Sie das Messer und die Verstärkung mit den zwei zuvor entfernten Messermuttern (Bild 29).

Hinweis: Ziehen Sie die Messermuttern mit 20 bis 37 Nm an.

Einstellen des Selbstantriebskabels

Beim Einbau eines Selbstantriebskabels oder bei einer falschen Einstellung des Selbstantriebs müssen Sie das Selbstantriebskabel einstellen.

1. Lösen Sie die Kabelstützenmutter (Bild 30).

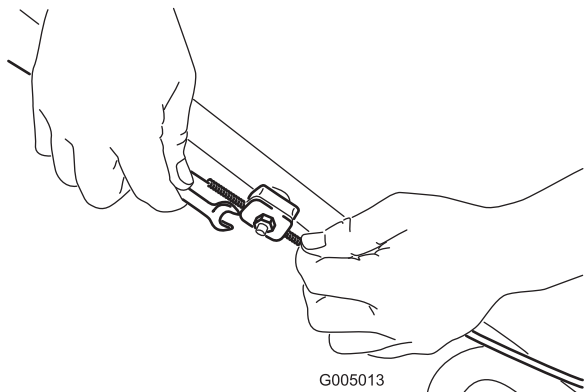


Bild 30

Das Bild ist zur Verdeutlichung vereinfacht.

2. Ziehen Sie den Kabelmantel (zur Maschine), bis das Kabel stramm ist (Bild 31).

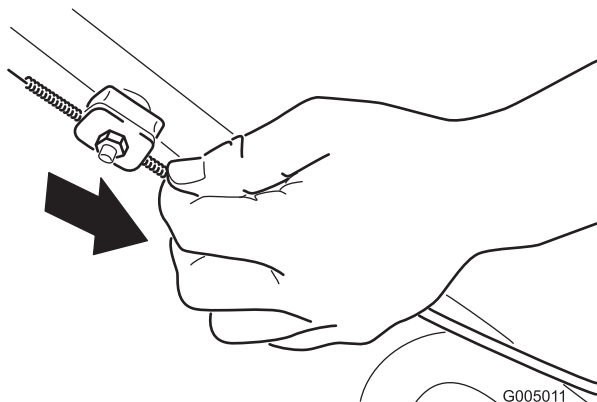


Bild 31

3. Ziehen Sie die Mutter an der Kabelstütze fest.

Reinigen der Unterseite des Maschinengehäuses

Wartungsintervall: Bei jeder Verwendung oder täglich

⚠️ WARNUNG:

Die Maschine kann Ablagerungen unter dem Maschinengehäuse lockern.

- Tragen Sie eine Schutzbrille.
- Bleiben Sie in der Einsatzstellung (hinter dem Griff) wenn der Motor läuft.
- Halten Sie Unbeteiligte vom Bereich fern.

Um die besten Ergebnisse zu erzielen, reinigen Sie die Unterseite des Maschinengehäuses gleich nach dem Mähen.

1. Senken Sie die Maschine auf die niedrigste Schnitthöhe ab, siehe Einstellen der Schnitthöhe (Seite 9).
2. Fahren Sie die Maschine auf eine ebene, befestigte Fläche.
3. Waschen Sie den Bereich unter dem Heckablenkblech, an dem das Schnittgut vom Gehäuse in den Fangkorb befördert wird.

Hinweis: Waschen Sie den Bereich, wenn der Hebel für den zuschaltbaren Fangkorb ganz nach vorne und ganz nach hinten geschoben ist.

4. Befestigen Sie einen Gartenschlauch, der an einen Wasserhahn angeschlossen ist, am Wasseranschluss am Maschinengehäuse (Bild 32).

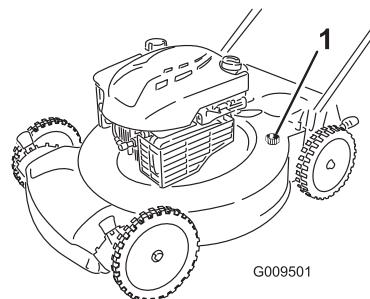


Bild 32

1. Wasseranschluss

5. Drehen Sie den Wasserhahn auf.
6. Starten Sie den Motor und lassen Sie ihn so lange laufen, bis kein weiteres Schnittgut mehr aus dem Maschinengehäuse kommt.
7. Stellen Sie den Motor ab.
8. Drehen Sie den Wasserhahn zu und schließen Sie den Gartenschlauch von der Maschine ab.
9. Starten Sie den Motor und lassen Sie ihn für ein paar Minuten laufen, um das Gehäuse auszutrocknen, damit es nicht rostet.
10. Lassen Sie den Motor abkühlen, bevor Sie die Maschine in einem geschlossenen Raum abstellen.

Einlagerung

Lagern Sie die Maschine an einem kühlen, sauberen und trockenen Ort ein.

Vorbereiten des Rasenmähers für die Einlagerung

⚠️ WARNUNG:

Benzindämpfe können explodieren.

- Lagern Sie Benzin nicht länger als 30 Tage.
- Lagern Sie die Maschine nicht in geschlossenen Räumen in der Nähe von offenem Feuer ein.
- Lassen Sie vor dem Einlagern den Motor abkühlen.

1. Füllen Sie beim letzten Betanken für das Jahr dem frischen Benzin einen Kraftstoffstabilisator zu. Folgen Sie dabei den Anweisungen des Motorherstellers.
2. Entsorgen Sie nicht verwendeten Kraftstoff ordnungsgemäß. Recyceln Sie den Kraftstoff vorschriftsmäßig oder verwenden Sie ihn für Ihr Auto.

Hinweis: Alter Kraftstoff im Kraftstofftank ist die häufigste Ursache für schweres Anspringen. Lagern Sie Kraftstoff ohne Stabilisator nicht für mehr als 30 Tage. Lagern Sie Kraftstoff mit Stabilisator nicht für mehr als 90 Tage.

3. Lassen Sie die Maschine so lange laufen, bis sie infolge von Benzinknappheit abstellt.
4. Lassen Sie den Motor wieder an.
5. Lassen Sie den Motor laufen, bis er abstellt. Wenn sich der Motor nicht mehr starten lässt, ist er ausreichend trocken.
6. Klemmen Sie das Zündkabel von der Zündkerze ab.
7. Nehmen Sie die Zündkerze heraus, füllen Sie 30 ml Öl in das Zündkerzenloch und ziehen Sie mehrmals langsam am Starterkabel, um das Öl im Zylinder zu verteilen und eine Korrosion des Zylinders während der Einlagerung zu vermeiden.
8. Stecken Sie die Zündkerze locker auf.
9. Ziehen Sie alle Schrauben und Muttern an.

Zusammenklappen des Bügels

⚠️ WARNUNG:

Wenn Sie den Bügel falsch auf- oder zusammenklappen, können Sie die Kabel beschädigen und den sicheren Geräteinsatz gefährden.

- Beschädigen Sie beim Auf- oder Zusammenklappen des Bügels nicht die Kabel.
 - Wenden Sie sich bei einem beschädigten Kabel an einen offiziellen Vertragshändler.
1. Lösen Sie die Griffhandräder, bis Sie den oberen Griff ungehindert bewegen können.
 2. Klappen Sie den oberen Griff nach vorne, siehe Bild 33.

Wichtig: Verlegen Sie beim Klappen des Griffs die Kabel an der Außenseite der Griffhandräder.

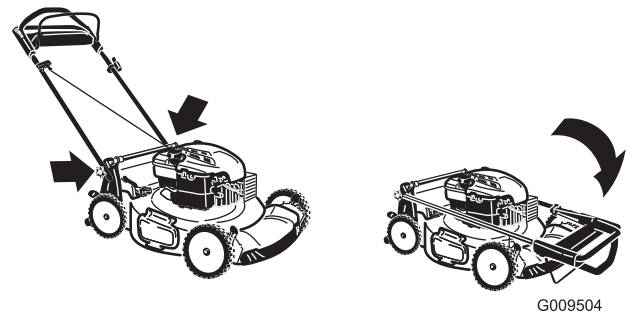


Bild 33

3. Gehen Sie zum Aufklappen des Bügels in umgekehrter Reihenfolge vor.

Herausnehmen der Maschine aus der Einlagerung

1. Ziehen Sie alle Befestigungsteile an.
2. Entfernen Sie die Zündkerze und drehen den Motor schnell mit Hilfe des Starters, um überflüssiges Öl aus dem Zylinder zu entfernen.
3. Setzen Sie die Zündkerze ein und ziehen Sie sie mit einem Drehmomentschlüssel auf 20 N-m an.
4. Führen Sie die empfohlenen Wartungsarbeiten durch, siehe Wartung (Seite 16).
5. Prüfen Sie den Ölstand im Motor, siehe Prüfen des Motorölstands (Seite 9).
6. Füllen Sie frisches Benzin in den Kraftstofftank, siehe Betanken (Seite 8).
7. Schließen Sie den Zündkerzenstecker wieder an die Zündkerze an.

Hinweise:

Hinweise:

Internationale Händlerliste

Vertragshändler:	Land:	Telefonnummer:	Vertragshändler:	Land:	Telefonnummer:
Atlantis Su ve Sulama Sistemleri Lt	Türkei	90 216 344 86 74	Maquiver S.A.	Kolumbien	57 1 236 4079
Balama Prima Engineering Equip.	Hongkong	852 2155 2163	Maruyama Mfg. Co. Inc.	Japan	81 3 3252 2285
B-Ray Corporation	Korea	82 32 551 2076	Agrolanc Kft	Ungarn	36 27 539 640
Casco Sales Company	Puerto Rico	787 7888383	Mountfield a.s.	Tschechische Republik	420 255 704 220
Ceres S.A.	Costa Rica	506 2391138	Munditol S.A.	Argentinien	54 11 4 821 9999
CSSC Turf Equipment (pvt) Ltd.	Sri Lanka	94 11 2746100	Oslinger Turf Equipment SA	Ecuador	593 4 239 6970
Cyril Johnston & Co.	Nordirland	44 2890 813 121	Oy Hako Ground and Garden Ab	Finnland	358 987 00733
Equiver	Mexiko	52 55 539 95444	Parkland Products Ltd.	Neuseeland	64 3 34 93760
Femco S.A.	Guatemala	502 442 3277	Prato Verde S.p.A.	Italien	39 049 9128 128
G.Y.K. Company Ltd.	Japan	81 726 325 861	Prochaska & Cie	Österreich	43 1 278 5100
Geomechaniki of Athens	Griechenland	30 10 935 0054	RT Cohen 2004 Ltd.	Israel	972 986 17979
Guandong Golden Star	China	86 20 876 51338	Riversa	Spanien	34 9 52 83 7500
Hako Ground and Garden	Schweden	46 35 10 0000	Sc Svend Carlsen A/S	Dänemark	45 66 109 200
Hako Ground and Garden	Norwegen	47 22 90 7760	Solvvert S.A.S.	Frankreich	33 1 30 81 77 00
Hayter Limited (U.K.)	Großbritannien	44 1279 723 444	Spypros Stavrinides Limited	Zypern	357 22 434131
Hydroturf Int. Co Dubai	Vereinigte Arabische Emirate	97 14 347 9479	Surge Systems India Limited	Indien	91 1 292299901
Hydroturf Egypt LLC	Ägypten	202 519 4308	T-Markt Logistics Ltd.	Ungarn	36 26 525 500
Irriamc	Portugal	351 21 238 8260	Toro Australia	Australien	61 3 9580 7355
Irrigation Products Int'l Pvt Ltd.	Indien	86 22 83960789	Toro Europe NV	Belgien	32 14 562 960
Jean Heybroek b.v.	Niederlande	31 30 639 4611			

Europäischer Datenschutzhinweis

Die von Toro gespeicherten Informationen

Toro Warranty Company (Toro) respektiert Ihre Privatsphäre. Zum Bearbeiten Ihres Garantieanspruchs und zur Kontaktaufnahme bei einem Produktrückruf bittet Toro Sie, Toro direkt oder über den lokalen Vertragshändler bestimmte persönliche Informationen mitzuteilen.

Das Garantiesystem von Toro wird auf Servern in USA gehostet; dort gelten ggf. andere Vorschriften zum Datenschutz ggf. als in Ihrem Land.

Wenn Sie Toro persönliche Informationen mitteilen, stimmen Sie der Verarbeitung der persönlichen Informationen zu, wie in diesem Datenschutzhinweis beschrieben.

Verwendung der Informationen durch Toro

Toro kann Ihre persönlichen Informationen zum Bearbeiten von Garantieansprüchen, zur Kontaktaufnahme bei einem Produktrückruf oder anderen Zwecken, die Toro Ihnen mitteilt, verwenden. Toro kann die Informationen im Rahmen dieser Aktivitäten an Toro Tochtergesellschaften, Händler oder Geschäftspartner weitergeben. Toro verkauft Ihre persönlichen Informationen an keine anderen Unternehmen. Toro hat das Recht, persönliche Informationen mitzuteilen, um geltende Vorschriften und Anfragen von entsprechenden Behörden zu erfüllen, um die Systeme richtig zu pflegen oder Toro oder andere Benutzer zu schützen.

Speicherung persönlicher Informationen

Toro speichert persönliche Informationen so lange, wie es für den Zweck erforderlich ist, für den die Informationen gesammelt wurden, oder für andere legitime Zwecke (z. B. Einhaltung von Vorschriften) oder Gesetzesvorschriften.

Toros Engagement zur Sicherung Ihrer persönlichen Informationen

Toro trifft angemessene Sicherheitsmaßnahmen, um Ihre persönlichen Informationen zu schützen. Toro unternimmt auch Schritte, um die Genauigkeit und den aktuellen Status der persönlichen Informationen zu erhalten.

Zugriff auf persönliche Informationen und Richtigkeit persönlicher Informationen

Wenn Sie die Richtigkeit Ihrer persönlichen Informationen prüfen möchten, senden Sie bitte eine E-Mail an legal@toro.com.

Australisches Verbrauchergesetz

Kunden in Australien finden weitere Details zum australischen Verbrauchergesetz entweder in der Verpackung oder können sich an den örtlichen Toro Vertragshändler wenden.



Die Garantie von Toro und Die GTS-Leichtstartgarantie von Toro

Bedingungen und abgedeckte Produkte

The Toro Company und die Vertragshändler, Toro Warranty Company, gewährleisten im Rahmen eines gegenseitigen Abkommens die aufgeführten Produkte für den Erstkäufer¹⁾ von Toro zu reparieren, wenn die Produkte Material- oder Herstellungsfehler aufweisen, aufgrund eines Bestandteiledefekts ausfallen, oder wenn der Toro GTS-Leichtstartmotor (Guaranteed to Start) nicht beim ersten oder zweiten Ziehen anspringt, wenn die in der *Bedienungsanleitung* aufgeführten regelmäßigen Wartungsarbeiten ausgeführt wurden.

Die folgenden Garantiezeiträume gelten ab dem Kaufdatum:

Produkte	Garantiezeitraum
Handrasenmäher mit Selbstantrieb	
• Gussmähwerk	5 Jahre bei Privatpersonen-Verwendung ² 90 Tage bei kommerzieller Verwendung
• Motor	5 Jahre GTS-Garantie, Privatverwendung ³
• Batterie	2 Jahre
• Stahlmähwerk	2 Jahre bei Privatpersonen-Verwendung ² 90 Tage bei kommerzieller Verwendung
• Motor	2 Jahre GTS-Garantie, Privatverwendung ³
TimeMaster-Mäher	3 Jahre bei Privatpersonen-Verwendung ² 90 Tage bei kommerzieller Verwendung
• Motor	3 Jahre GTS-Garantie, Privatverwendung ³
• Batterie	2 Jahre
Tragbare Elektroprodukte	2 Jahre bei Privatpersonen-Verwendung ² Keine Garantie für kommerziellen Gebrauch
Schneefräsen	
• Einstufig	2 Jahre bei Privatpersonen-Verwendung ² 45 Tage bei kommerzieller Verwendung
• Motor	2 Jahre GTS-Garantie, Privatverwendung ³
• Zweistufig	3 Jahre bei Privatkunden-Verwendung ² 45 Tage bei kommerzieller Verwendung
• Auswurfkanal, Ablenklech und Räumwerkgehäuseabdeckung	Lebenslang (nur Erstkäufer) ⁵
Elektrische Schneefräsen	2 Jahre bei Privatpersonen-Verwendung ² Keine Garantie für kommerziellen Gebrauch
Aller unten aufgeführten Aufsitzmäher	
• Motor	Siehe Garantie des Motorherstellers ⁴
• Batterie	2 Jahre bei Privatpersonen-Verwendung ²
• Anbaugeräte	2 Jahre bei Privatpersonen-Verwendung ²
Rasen- und Gartentraktore DH	2 Jahre bei Privatpersonen-Verwendung ² 90 Tage bei kommerzieller Verwendung
Rasen- und Gartentraktore XLS	3 Jahre bei Privatpersonen-Verwendung ² 90 Tage bei kommerzieller Verwendung
TimeCutter	3 Jahre bei Privatpersonen-Verwendung ² 90 Tage bei kommerzieller Verwendung
TITAN-Rasenmäher	3 Jahre oder 240 Stunden ⁵
• Rahmen	Lebenslang (nur Erstkäufer) ⁶
Mäher der Serie Z Master 2000	4 Jahre oder 500 Stunden ⁵
• Rahmen	Lebenslang (nur Erstkäufer) ⁶

¹Erstkäufer ist die Person, die das Toro Produkt neu gekauft hat.

²Normaler Privatgebrauch bedeutet die Verwendung des Produktes auf demselben Grundstück wie das Eigenheim. Der Einsatz an mehreren Standorten wird als kommerzieller Gebrauch eingestuft, und in diesen Situationen würde die kommerzielle Garantie gelten.

³Die Toro GTS-Startgarantie gilt nicht bei kommerziellem Gebrauch.

⁴Einige Motoren, die in Toro Produkten eingesetzt werden, haben eine Garantie vom Motorhersteller.

⁵Je nach dem, was zuerst eintritt.

⁶Lebenslange Rahmengarantie: Wenn der Hauptrahmen, der aus den geschweißten Teilen besteht, die die Traktorstruktur ergeben, an der andere Bestandteile, u. a. der Motor, befestigt sind, bei normalen Gebrauch Risse zeigt oder bricht, wird er im Rahmen der Garantie (nach Ermessen von Toro) kostenfrei (keine Material- und Lohnkosten) repariert oder ausgewechselt. Ein Rahmenversagen aufgrund von Missbrauch oder nicht ausgeführten Reparaturen, die aufgrund von Rost oder Korrosion erforderlich sind, ist nicht abgedeckt.

Diese Garantie deckt die Lohn- und Materialkosten ab, Sie müssen die Transportkosten übernehmen.

Die Garantieansprüche werden ggf. abgelehnt, wenn der Betriebsstundenzähler abgeschlossen oder modifiziert wurde oder Zeichen einer Modifizierung aufweist.

Verantwortung des Eigentümers

Sie müssen das Produkt von Toro gemäß der in der *Bedienungsanleitung* aufgeführten Wartungsarbeiten pflegen. Für solche Routinewartungsarbeiten, die von Ihnen oder einem Händler durchgeführt werden, kommen Sie auf.

Anweisungen für die Inanspruchnahme von Wartungsarbeiten unter Garantie

Halten Sie dieses Verfahren ein, wenn Sie der Meinung sind, dass Ihre Produkte von Toro Material- oder Herstellungsfehler aufweisen.

1. Wenden Sie sich an die Verkaufsstelle, um einen Kundendienst für das Produkt zu vereinbaren. Wenn Sie den Verkäufer nicht kontaktieren können, können Sie sich auch an jeden offiziellen Vertragshändler von Toro wenden. Siehe beiliegende Liste der Vertragshändler.
2. Bringen Sie das Produkt und den Kaufnachweis (Rechnung) zum Händler. Wenn Sie mit der Analyse oder dem Support des Vertragshändlers nicht zufrieden sind, wenden Sie sich an Toro unter:

Toro Customer Care Department, RLC Division
Toro Warranty Company
8111 Lyndale Avenue South
Bloomington, MN 55420-1196
001-952-948-4707

Nicht von der Garantie abgedeckte Punkte und Bedingungen

Diese ausdrückliche Garantie schließt Folgendes aus:

- Kosten für regelmäßige Wartungsarbeiten oder Teile, die sich abnutzen, wie z. B. Messer, Rotormesser (Schaufeln), Abstreifermesser, Riemen, Kraftstoff, Schmiermittel, Ölwechsel, Zündkerzen, Reifen, Einstellen der Kabel, des Gestänges oder der Bremsen
- Jedes Produkt oder Teil, das modifiziert oder missbraucht wurde und aufgrund eines Unfalls oder fehlender Wartung ersetzt oder repariert werden muss
- Reparaturen, die aufgrund von Nichtverwenden von frischem Kraftstoff (weniger als ein Monat) oder falscher Vorbereitung des Geräts vor einer Einlagerung von mehr als einem Monat zurückzuführen sind.
- Alle von dieser Garantie abgedeckten Reparaturen müssen von einem offiziellen Vertragshändler mit Originalersatzteilen von Toro ausgeführt werden.

Allgemeine Bedingungen

Für den Käufer gelten die gesetzlichen Vorschriften jedes Landes. Die Rechte, die dem Käufer aus diesen gesetzlichen Vorschriften zustehen, werden nicht von dieser Garantie eingeschränkt.



Tondeuse Recycler® 55 cm

N° de modèle 20958—N° de série 313000001 et suivants

Manuel de l'utilisateur

Introduction

Cette tondeuse autotractée à lame rotative est destinée au grand public. Elle est principalement conçue pour tondre les pelouses entretenues régulièrement dans les terrains privés. Elle n'est pas conçue pour couper les broussailles ni pour un usage agricole.

Lisez attentivement ces informations pour apprendre comment utiliser et entretenir correctement votre produit, et éviter de l'endommager ou de vous blesser. Vous êtes responsable de l'utilisation sûre et correcte du produit.

Vous pouvez contacter Toro directement à www.Toro.com pour tout renseignement concernant un produit ou un accessoire, pour obtenir l'adresse d'un concessionnaire ou pour enregistrer votre produit.

Lorsque vous contactez un distributeur ou un réparateur Toro agréé pour l'entretien de votre machine, pour vous procurer des pièces Toro d'origine ou pour obtenir des renseignements complémentaires, munissez-vous des numéros de modèle et de série du produit. Figure 1 indique l'emplacement des numéros de modèle et de série du produit.

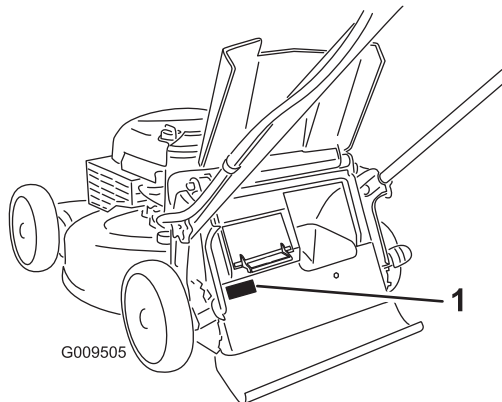


Figure 1

1. Plaque des numéros de modèle et de série

Notez les numéros de modèle et de série du produit dans l'espace ci-dessous :

N° de modèle _____
N° de série _____

Les mises en garde de ce manuel soulignent des dangers potentiels et sont signalées par le symbole de sécurité

(Figure 2), qui indique un danger pouvant entraîner des blessures graves ou mortelles si les précautions recommandées ne sont pas respectées.



Figure 2

1. Symbole de sécurité

Deux termes sont également utilisés pour faire passer des informations essentielles. **Important**, pour attirer l'attention sur des informations mécaniques spécifiques, et **Remarque**, pour signaler des informations d'ordre général méritant une attention particulière.

Ce produit est conforme aux directives européennes pertinentes. Pour plus de renseignements, consultez la Déclaration de conformité spécifique au produit fournie séparément.

Pour les modèles dont la puissance du moteur est indiquée, la puissance brute du moteur a été mesurée en laboratoire par le constructeur du moteur selon SAE J1940. Étant configuré pour satisfaire aux normes de sécurité, antipollution et d'exploitation, le moteur monté sur cette classe de tondeuse aura une puissance effective nettement inférieure.

Ne modifiez pas abusivement les commandes du moteur ni le réglage du régulateur de vitesse, au risque de compromettre le fonctionnement sûr de la machine et de causer des blessures.

Table des matières

Introduction	1
Sécurité générale de la tondeuse	2
Pression acoustique	3
Puissance acoustique	4
Vibrations au niveau des mains et des bras	4
Autocollants de sécurité et d'instruction	5
Mise en service	6
1 Montage de la barre de commande de la lame	6
2 Montage du guidon	6
3 Montage du câble du lanceur dans le guide	6
4 Plein d'huile moteur	7
Vue d'ensemble du produit	8
Caractéristiques techniques	8



Utilisation	8
Remplissage du réservoir de carburant	8
Contrôle du niveau d'huile moteur	9
Réglage de la hauteur de coupe	9
Démarrage du moteur	10
Utilisation de la commande d'autopropulsion	10
Arrêt du moteur	11
Engagement de la lame	11
Débrayage de la lame	11
Contrôle du fonctionnement du débrayage du frein de lame	11
Recyclage de l'herbe coupée	12
Ramassage de l'herbe coupée	12
Éjection latérale des brins d'herbe	14
Conseils d'utilisation	14
Entretien	16
Programme d'entretien recommandé	16
Préparation à l'entretien	16
Remplacement du filtre à air	16
Vidange et remplacement de l'huile moteur	17
Remplacement de la lame	18
Nettoyage de la protection du débrayage du frein de lame	18
Réglage du câble de commande d'autopropul- sion	18
Nettoyage du dessous du carter de la machine	19
Remisage	20
Préparation de la machine au remisage	20
Pliage du guidon	20
Remise en service après remisage	20

Sécurité

L'usage ou l'entretien incorrect de cette tondeuse peut occasionner des accidents. Pour réduire les risques, respectez les consignes de sécurité suivantes.

Toro a conçu et testé votre machine pour garantir un fonctionnement correct et sûr, à condition de respecter rigoureusement les consignes de sécurité qui suivent. Le non-respect de ces consignes peut causer des accidents.

Pour assurer une sécurité et un rendement optimaux, et apprendre à bien connaître le produit, vous-même et tout autre utilisateur de la machine, devez impérativement lire et comprendre le contenu de ce manuel avant même de mettre le moteur en marche. Tenez particulièrement compte des mises en garde signalées par le symbole de sécurité (Figure 2) et la mention Prudence, Attention ou Danger. Veillez à lire et bien comprendre ces directives qui portent sur votre sécurité. Ne pas les respecter, c'est risquer de vous blesser.

Sécurité générale de la tondeuse

Les instructions suivantes sont adaptées de la norme EN 836.

Cette machine peut sectionner les mains et les pieds, et projeter des objets. Des accidents graves ou mortels sont possibles si les consignes de sécurité suivantes ne sont pas respectées.

Apprendre à se servir de la machine

- Lisez attentivement les instructions. Familiarisez-vous avec les commandes et l'utilisation de la machine.
- N'autorisez jamais des enfants, ou des adultes n'ayant pas pris connaissance de ces instructions, à utiliser la tondeuse. Certaines législations imposent un âge minimum pour l'utilisation de ce type de machine.
- N'oubliez jamais que l'utilisateur est responsable de tout accident ou dommage causé aux autres personnes et à leurs possessions.
- Apprenez la signification de tous les symboles utilisés sur la tondeuse ou dans les instructions.

Essence

⚠ ATTENTION

L'essence est très inflammable. Prenez les précautions suivantes :

- **Conservez le carburant dans un récipient spécialement conçu à cet effet.**
- **Faites toujours le plein à l'extérieur, et ne fumez jamais durant cette opération.**
- **Faites le plein de carburant avant de mettre le moteur en marche. N'enlevez jamais le bouchon du réservoir de carburant et n'ajoutez jamais de carburant lorsque le moteur tourne ou qu'il est chaud.**
- **Si vous renversez de l'essence, ne mettez pas le moteur en marche. Éloignez la machine et évitez toute source possible d'inflammation jusqu'à dissipation complète des vapeurs d'essence.**
- **Refermez soigneusement tous les réservoirs et récipients contenant du carburant.**

Avant d'utiliser la machine

- Portez toujours un pantalon et des chaussures solides pour travailler. Ne tondez pas pieds nus ou en sandales.
- Inspectez soigneusement la zone de travail et enlevez tous les objets susceptibles d'être projetés par la machine (pierres, branches, câbles, etc.).
- Avant d'utiliser la machine, vérifiez toujours si les capots et les dispositifs de sécurité, comme les déflecteurs et/ou les bacs à herbe, sont en place et fonctionnent correctement.
- Avant d'utiliser la machine, vérifiez toujours si les lames, boulons de lames et ensembles de coupe ne sont pas usés ou endommagés. Remplacez les boulons et les lames

usés ou endommagés par paires pour ne pas modifier l'équilibre.

Démarrage

Mettez le moteur en marche avec précaution, conformément aux instructions, et n'approchez pas les pieds des lames ou de l'avant de l'éjecteur.

Utilisation

- Ne tondez jamais lorsque des personnes, et surtout des enfants ou des animaux familiers, se trouvent à proximité.
- Tondez uniquement à la lumière du jour ou avec un bon éclairage artificiel.
- Méfiez-vous des trous et autres dangers cachés de la zone de travail.
- N'approchez pas les mains ni les pieds des pièces en rotation. Ne vous tenez jamais devant l'ouverture d'éjection.
- Ne soulevez et ne portez jamais une tondeuse dont le moteur tourne.
- Soyez extrêmement prudent en marche arrière ou quand vous tirez une tondeuse à conducteur marchant vers vous.
- Marchez, ne courez pas.
- Pentes :
 - Ne tondez pas de pentes trop raides.
 - Soyez extrêmement prudent sur un terrain en pente.
 - Travaillez transversalement à la pente, jamais en montant ou en descendant et faites demi-tour avec la plus grande prudence.
 - Sur les terrains en pente, faites particulièrement attention de ne pas glisser.
- Ralentissez sur les pentes et dans les virages serrés pour ne pas perdre le contrôle de la machine ou la retourner.
- Arrêtez la lame avant d'incliner la tondeuse pour traverser des surfaces non herbeuses et pour vous déplacer entre les surfaces de travail.
- Ne faites pas tourner le moteur dans un espace clos où le monoxyde de carbone dangereux dégagé par l'échappement risque de s'accumuler.
- Arrêtez le moteur
 - avant de quitter la tondeuse
 - avant de faire le plein de carburant
 - avant de retirer le bac à herbe
 - avant de régler la hauteur de coupe, sauf si ce réglage peut se faire depuis la position d'utilisation.
- Coupez le moteur et débranchez le fil de la bougie.
 - avant de dégager ou désobstruer l'éjecteur.
 - avant tout contrôle, tout nettoyage ou toute intervention sur la tondeuse.

- après avoir heurté un obstacle, recherchez et réparez les dégâts éventuels de la tondeuse avant de la remettre en marche et de l'utiliser.
- si la tondeuse se met à vibrer de manière inhabituelle (contrôlez immédiatement).

- La foudre peut provoquer des blessures graves ou mortelles. Si vous observez la foudre ou que vous entendez le tonnerre à proximité, n'utilisez pas la machine et mettez-vous à l'abri.
- Méfiez-vous de la circulation près des routes et pour traverser.

Entretien et remisage

- Gardez tous les écrous, boulons et vis toujours bien serrés pour être sûr de pouvoir utiliser la tondeuse sans danger.
- N'utilisez pas de matériel de nettoyage sous pression pour nettoyer la machine.
- N'entreposez jamais une machine dont le réservoir contient de l'essence dans un local où les vapeurs risquent de rencontrer une flamme nue ou une étincelle.
- Laissez refroidir le moteur avant de ranger la machine dans un local fermé.
- Pour réduire les risques d'incendie, débarrassez le moteur, le silencieux, le bac à batterie et le lieu de stockage de l'essence de tout excès de graisse, débris d'herbe et feuilles.
- Vérifiez fréquemment l'état des composants du bac à herbe et du déflecteur d'éjection, et remplacez-les au besoin par des pièces recommandées par le constructeur.
- Remplacez les pièces usées ou endommagées pour éviter les accidents.
- Remplacez les silencieux défectueux.
- La vidange du réservoir de carburant doit impérativement s'effectuer à l'extérieur.
- Ne modifiez pas le réglage du régulateur et ne faites pas tourner le moteur en surrégime. Un régime moteur excessif peut augmenter les risques d'accidents et de blessures.
- Soyez prudent pendant le réglage de la tondeuse pour éviter de vous coincer les doigts entre les lames en rotation et les pièces fixes de la tondeuse.
- **Pour préserver le bon fonctionnement et la sécurité de la machine, n'utilisez que des pièces de rechange et des accessoires Toro d'origine. N'utilisez pas de pièces et accessoires génériques, car ils peuvent être dangereux.**

Pression acoustique

Cette machine produit au niveau de l'oreille de l'utilisateur une pression acoustique de 88 dBA, qui comprend une valeur d'incertitude (K) de 1 dBA.

La pression acoustique est déterminée en conformité avec les procédures énoncées dans la norme EN 836.

Puissance acoustique

Cette machine a un niveau de puissance acoustique garanti de 98 dBA, qui comprend une valeur d'incertitude (K) de 1 dBA.

La puissance acoustique est déterminée en conformité avec les procédures énoncées dans la norme ISO 11094.

Vibrations au niveau des mains et des bras

Niveau de vibrations mesuré pour la main droite = 4,7 m/s²

Niveau de vibrations mesuré pour la main gauche = 5,1 m/s²

Valeur d'incertitude (K) = 2,0 m/s²

Les valeurs mesurées sont déterminées en conformité avec les procédures énoncées dans la norme EN 836.

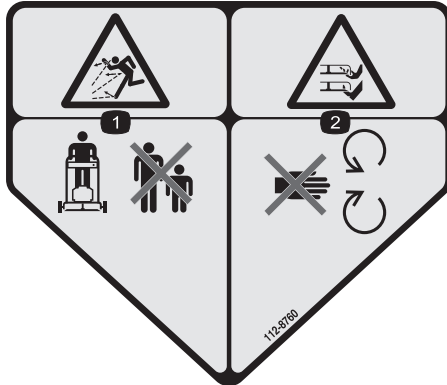
Autocollants de sécurité et d'instruction

Important: Les autocollants de sécurité et d'instruction sont placés près des endroits potentiellement dangereux. Remplacez les autocollants endommagés.



Marque du fabricant

1. Identifie la lame comme pièce d'origine.



112-8760

1. Risque de projection d'objets – tenez les spectateurs à bonne distance de la machine.
2. Risque de coupure/mutilation des mains ou des pieds – ne vous approchez pas des pièces mobiles.



112-8867

1. Verrouillage
2. Déverrouillage



114-7982

1. Attention – lisez le *Manuel de l'utilisateur*.
2. Risque de projection d'objets – tenez les spectateurs à bonne distance de la machine.
3. Risque de coupure/mutilation des mains ou des pieds par la lame du plateau de coupe – débranchez la bougie et lisez les instructions avant d'entreprendre un entretien ou une révision.
4. Risque de coupure/mutilation des mains ou des pieds par la lame de la tondeuse – ne vous approchez pas des pièces mobiles.
5. Risque de coupure/mutilation des mains ou des pieds par la lame de la tondeuse – ne travaillez pas dans le sens de la pente, mais transversalement ; arrêtez le moteur avant de quitter la position de conduite et regardez derrière vous avant de faire marche arrière.

Mise en service

Important: Retirez et mettez au rebut la pellicule de plastique qui protège le moteur.

1

Montage de la barre de commande de la lame

Aucune pièce requise

Procédure

Montez la barre de commande de la lame sur la partie supérieure du guidon (Figure 3).

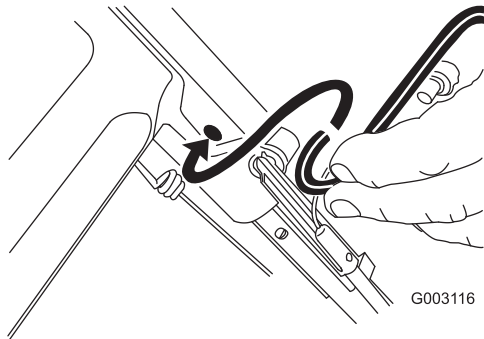


Figure 3

2

Montage du guidon

Aucune pièce requise

Procédure

⚠ ATTENTION

Vous risquez d'endommager les câbles et de rendre la machine dangereuse à utiliser si vous pliez ou dépliez mal le guidon.

- Veillez à ne pas endommager les câbles en pliant ou dépliant le guidon.
- Si un câble est endommagé, adressez-vous à un concessionnaire-réparateur agréé.

1. Retirez les boutons du guidon du carter de la machine (Figure 4).

Important: Faites passer les câbles à l'extérieur des boutons quand vous montez le guidon.

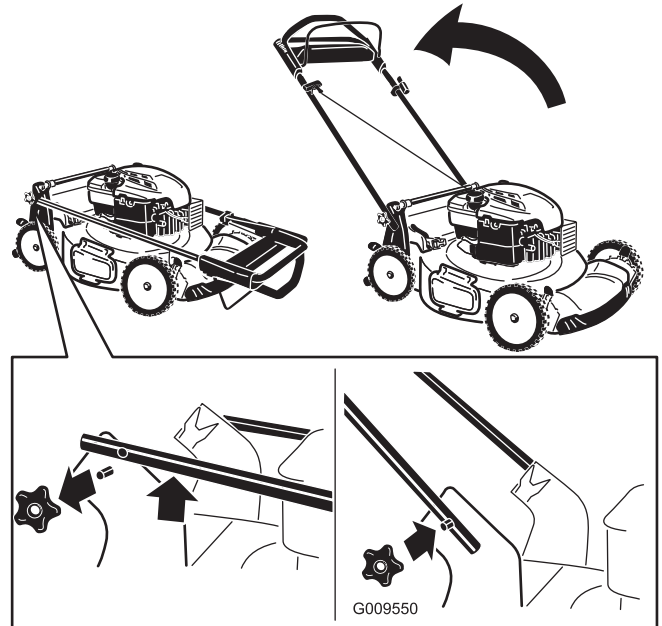


Figure 4

2. Placez le guidon en position d'utilisation.
3. Montez et serrez les boutons du guidon que vous avez retirés à l'opération 1.

3

Montage du câble du lanceur dans le guide

Aucune pièce requise

Procédure

Important: Pour démarrer le moteur facilement et en toute sécurité chaque fois que vous utilisez la machine, placez le câble du lanceur dans le guide.

Tirez le câble du lanceur à travers le guide sur le guidon (Figure 5).

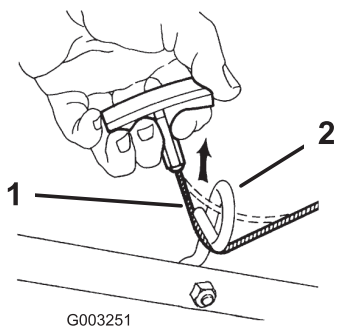


Figure 5

1. Câble du lanceur
2. Guide-câble

4

Plein d'huile moteur

Aucune pièce requise

Procédure

Important: Le carter moteur de cette machine est vide à la livraison. Remplissez le carter moteur d'huile avant de mettre le moteur en marche.

1. Garez la machine sur un sol plat et horizontal.
2. Retirez la jauge (Figure 6) et versez de l'huile dans le tube de remplissage pour remplir le carter moteur aux 3/4.

Remarque: Remplissage max. : 0,59 l, type : huile détergente SAE 30 de classe de service API SF, SG, SH, SJ, SL ou supérieure.

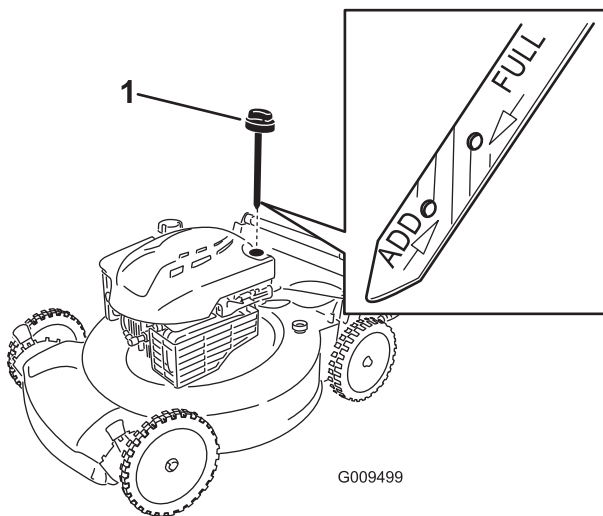


Figure 6

1. Jauge d'huile

3. Essuyez la jauge sur un chiffon propre.

4. Enfoncez la jauge complètement dans le goulot de remplissage.
5. Sortez de nouveau la jauge et vérifiez le niveau d'huile ; voir Figure 6.
 - Si le niveau n'atteint pas le repère minimum (**Add**) sur la jauge, versez lentement une petite quantité d'huile dans le goulot de remplissage et répétez les opérations 3 à 5 jusqu'à ce que le niveau atteigne le repère maximum (**Full**).
 - Si le niveau d'huile dépasse le repère maximum (**Full**) sur la jauge, vidangez l'excédent d'huile jusqu'à ce que le niveau soit redescendu au repère maximum. Pour vidanger l'excédent d'huile, voir Vidange et remplacement de l'huile moteur (page 17).

Important: Si vous faites tourner le moteur alors que le niveau d'huile dans le carter est trop bas ou trop élevé, vous risquez d'endommager le moteur.

6. Insérez et vissez solidement la jauge dans le tube de remplissage.

Important: Changez l'huile moteur après les 5 premières heures de fonctionnement, puis une fois par an. Voir la Vidange et remplacement de l'huile moteur (page 17).

Vue d'ensemble du produit

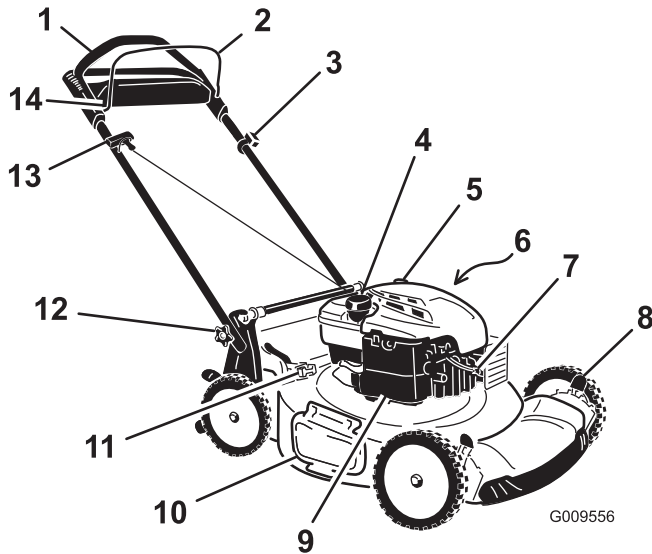


Figure 7

- | | |
|---------------------------------------|---|
| 1. Guidon | 8. Levier de hauteur de coupe (4) |
| 2. Barre de commande de la lame | 9. Filtre à air |
| 3. Commutateur d'allumage | 10. Éjecteur latéral |
| 4. Bouchon du réservoir de carburant | 11. Levier de commande de ramassage sur demande |
| 5. Bouchon de remplissage/jauge | 12. Bouton du guidon (2) |
| 6. Raccord de lavage (non représenté) | 13. Poignée du lanceur |
| 7. Bougie | 14. Verrou de la barre de commande |

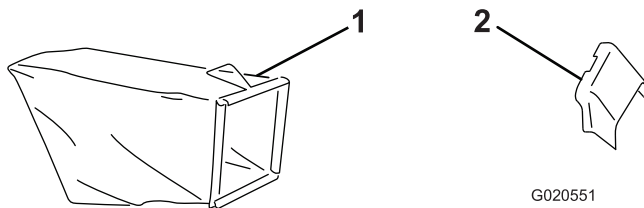


Figure 8

- | | |
|----------------|---------------------|
| 1. Bac à herbe | 2. Éjecteur latéral |
|----------------|---------------------|

Caractéristiques techniques

Modèle	Poids	Longueur	Largeur	Hauteur
20958	41 kg	150 cm	58 cm	107 cm

Utilisation

Remplissage du réservoir de carburant

⚠ DANGER

L'essence est extrêmement inflammable et explosive. Un incendie ou une explosion causé(e) par l'essence peut vous brûler, ainsi que les personnes se tenant à proximité.

- Pour éviter que l'électricité statique n'enflamme l'essence, posez le récipient et/ou la machine directement sur le sol, pas dans un véhicule ou sur un support quelconque, avant de remplir le réservoir.
- Faites le plein du réservoir de carburant quand le moteur est froid. Essayez le carburant éventuellement répandu.
- Ne fumez jamais en manipulant de l'essence et tenez-vous à l'écart des flammes nues ou des sources d'étincelles.
- Conservez l'essence dans un récipient homologué, hors de portée des enfants.
- Pour assurer le fonctionnement optimal de la machine, utilisez uniquement de l'essence sans plomb propre et fraîche avec un indice d'octane de 87 ou plus (méthode de calcul (R+M)/2).
- Du carburant oxygéné contenant jusqu'à 10% d'éthanol ou 15% de MTBE par volume peut être utilisé.
- N'utilisez **pas** de mélanges d'essence à l'éthanol (E15 ou E85 par exemple) avec plus de 10 % d'éthanol par volume. Cela peut entraîner des problèmes de performances et/ou des dégâts du moteur qui ne sont pas couverts par la garantie.
- N'utilisez **pas** d'essence contenant du méthanol.
- Ne stockez **pas** le carburant dans le réservoir ou dans des bidons de carburant pendant l'hiver, à moins d'y ajouter un stabilisateur de carburant.
- N'ajoutez **pas** d'huile à l'essence.

Important: Pour réduire les problèmes de démarrage, ajoutez un stabilisateur à chaque plein et utilisez de l'essence stockée depuis moins d'un mois.

1. Nettoyez la surface autour du bouchon du réservoir de carburant et enlevez le bouchon (Figure 9).

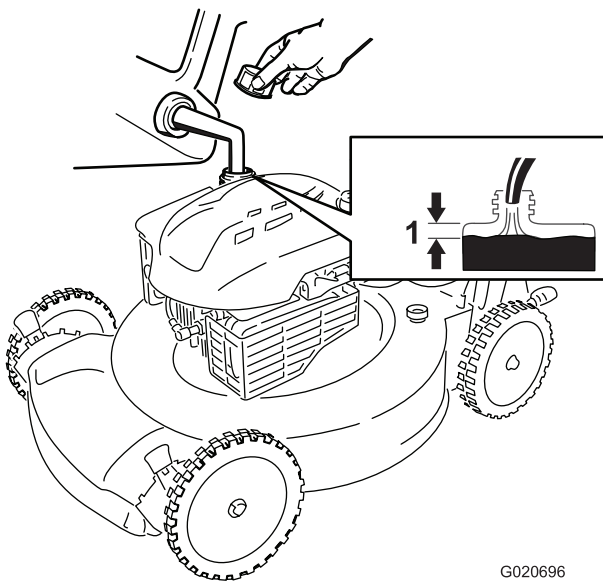


Figure 9

G020696

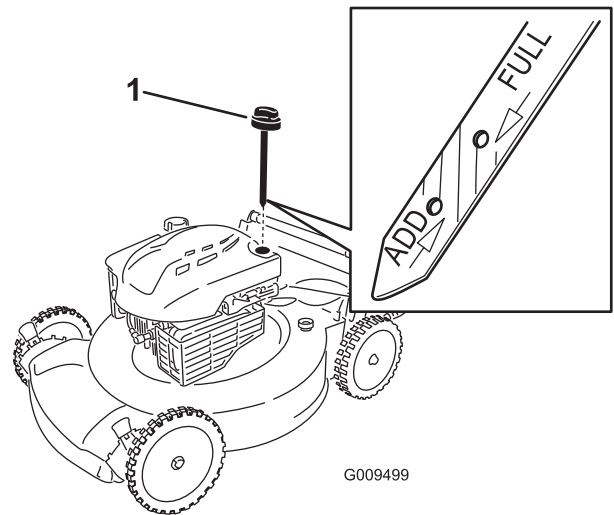
1. 6 mm
-
2. Remplissez le réservoir de carburant, en laissant un espace d'au moins 6 mm en-dessous du bas du goulot pour permettre à l'essence de se dilater.
 3. Revissez solidement le bouchon du réservoir de carburant à la main.

Contrôle du niveau d'huile moteur

Périodicité des entretiens: À chaque utilisation ou une fois par jour

Remarque: Remplissage max. : 0,59 l, type : huile détergente SAE 30 de classe de service API SF, SG, SH, SJ, SL ou supérieure.

1. Garez la machine sur un sol plat et horizontal.
2. Retirez la jauge (Figure 10).



G009499

Figure 10

1. Jauge d'huile
-
3. Essuyez la jauge sur un chiffon propre.
 4. Enfoncez la jauge complètement dans le goulot de remplissage.
 5. Sortez de nouveau la jauge et vérifiez le niveau d'huile ; voir Figure 10.
 - Si le niveau n'atteint pas le repère minimum (**Add**) sur la jauge, versez lentement une petite quantité d'huile dans le goulot de remplissage et répétez les opérations 3 à 5 jusqu'à ce que le niveau atteigne le repère maximum (**Full**).
 - Si le niveau d'huile dépasse le repère maximum (**Full**) sur la jauge, vidangez l'excédent d'huile jusqu'à ce que le niveau soit redescendu au repère maximum. Pour vidanger l'excédent d'huile, voir Vidange et remplacement de l'huile moteur (page 17).
- Important:** Si vous faites tourner le moteur alors que le niveau d'huile dans le carter est trop bas ou trop élevé, vous risquez d'endommager le moteur.
6. Insérez et vissez solidement la jauge dans le tube de remplissage.

Réglage de la hauteur de coupe

⚠ ATTENTION

Pendant le réglage de la hauteur de coupe, vous risquez de toucher la lame en mouvement et de vous blesser gravement.

- Arrêtez le moteur et attendez l'arrêt de toutes les pièces mobiles.
- Ne mettez pas les doigts sous le carter du plateau de coupe quand vous réglez la hauteur de coupe.

⚠ PRUDENCE

Si le moteur vient de tourner, le silencieux est très chaud et risque de vous brûler gravement. Ne vous approchez pas du silencieux encore chaud.

Choisissez la hauteur de coupe voulue. Réglez les roues avant à la même hauteur que les roues arrière (Figure 11).

Remarque: Pour élever la machine, déplacez les leviers de hauteur de coupe avant vers l'arrière, et les leviers de hauteur de coupe arrière vers l'avant. Pour abaisser la machine, déplacez les leviers de hauteur de coupe avant vers l'avant, et les leviers de hauteur de coupe arrière vers l'arrière.

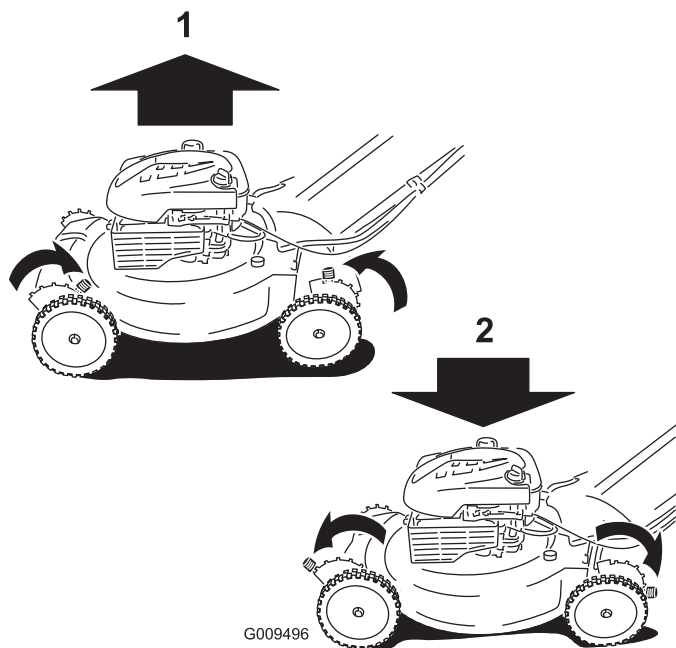


Figure 11

1. Élevez la machine.
2. Abaissez la machine

Remarque: Les hauteurs de coupe suivantes sont disponibles : 25 mm, 35 mm, 44 mm, 54 mm, 64 mm, 73 mm, 83 mm, 92 mm et 102 mm.

Démarrage du moteur

Tirez légèrement sur la poignée du lanceur jusqu'à ce que vous sentiez une résistance, puis tirez vigoureusement (Figure 12). Laissez le lanceur se rétracter lentement jusqu'à la poignée.

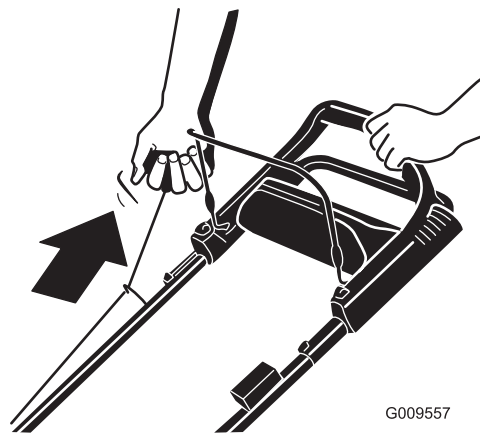


Figure 12

Remarque: Si le moteur ne démarre pas après plusieurs tentatives, contactez un réparateur agréé.

Utilisation de la commande d'autopropulsion

Pour actionner l'autopropulsion, il vous suffit d'avancer, les mains sur la partie supérieure du guidon et les coudes serrés ; la machine avance automatiquement à votre rythme (Figure 13).

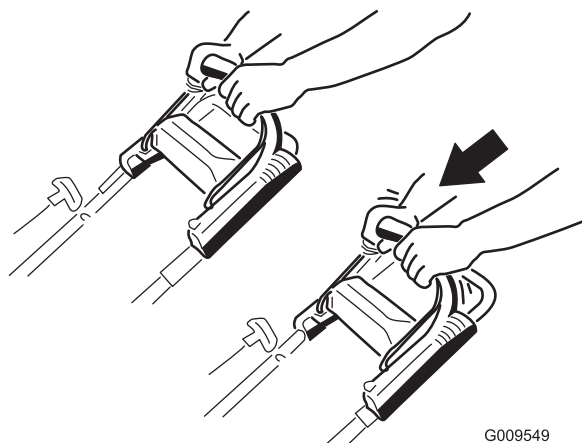


Figure 13

Remarque: Si vous avez des difficultés à faire reculer la machine après avoir utilisé l'autopropulsion, immobilisez-vous, laissez vos mains en place et laissez la machine avancer de quelques centimètres pour désengager la transmission aux roues. Vous pouvez aussi essayer d'atteindre la poignée en métal, située juste sous la partie supérieure du guidon, et de pousser la machine en avant sur quelques centimètres. Si vous avez des difficultés à faire reculer la machine, contactez un concessionnaire-réparateur agréé.

Arrêt du moteur

Maintenez le commutateur d'allumage en position « Arrêt » jusqu'à l'arrêt du moteur (Figure 14).

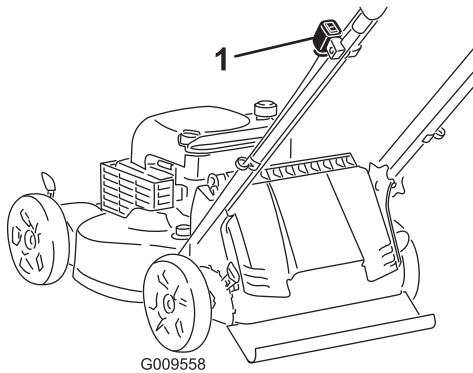


Figure 14

1. Commutateur d'allumage

Engagement de la lame

La lame ne tourne pas automatiquement quand le moteur démarre. Il faut engager la lame pour tondre.

1. Tirez le verrou de la barre de commande en arrière (Figure 15).

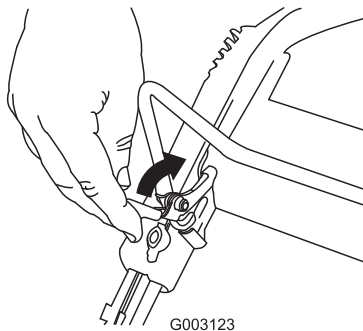


Figure 15

2. Serrez la barre de commande de la lame contre le guidon (Figure 16).

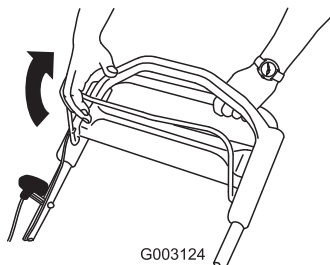


Figure 16

3. Maintenez la barre de commande de la lame contre le guidon (Figure 17).

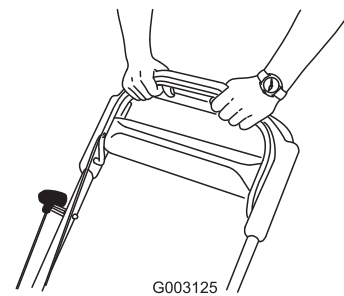


Figure 17

Débrayage de la lame

Relâchez la barre de commande de la lame (Figure 18).

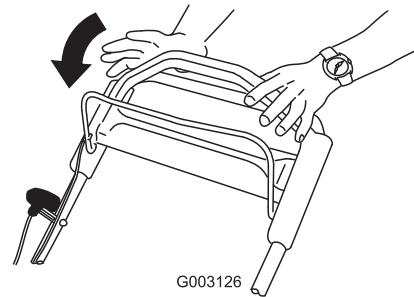


Figure 18

Important: Lorsque vous relâchez la barre de commande, la lame doit s'arrêter en moins de 3 secondes. Si ce n'est pas le cas, cessez immédiatement d'utiliser la machine et adressez-vous à un concessionnaire-réparateur agréé.

Contrôle du fonctionnement du débrayage du frein de lame

Vérifiez la barre de commande de la lame avant chaque utilisation pour vous assurer du bon fonctionnement du débrayage du frein de lame.

Utilisation du bac à herbe

Périodicité des entretiens: À chaque utilisation ou une fois par jour

Vous pouvez utiliser le bac à herbe pour effectuer un contrôle supplémentaire du système de débrayage du frein de lame.

1. Placez le bac vide sur la machine.
2. Mettez le moteur en marche.
3. Engagez la lame.

Remarque: Le bac doit commencer à se gonfler, ce qui indique que la lame est engagée et a commencé à tourner.

4. Relâchez la barre de commande de la lame.

Remarque: Si le bac ne se gonfle pas immédiatement, cela signifie que la lame est encore en train de tourner. Le système de débrayage du frein de lame est peut-être défectueux et, si vous n'en tenez pas compte, vous risquez de compromettre le fonctionnement sûr de la machine. Demandez à un réparateur agréé de contrôler et de réviser la machine.

5. Arrêtez le moteur et attendez l'arrêt de toutes les pièces mobiles.

Utilisation sans le bac à herbe

1. Amenez la machine sur une surface revêtue à l'abri du vent.
2. Réglez les 4 roues à la hauteur de coupe de 83 mm.
3. Roulez en boule une demi-feuille de papier journal (environ 76 mm de diamètre) et placez-la sous le plateau de coupe.
4. Placez la boule de papier journal à 13 cm devant la machine.
5. Mettez le moteur en marche.
6. Engagez la lame.
7. Relâchez la barre de commande de la lame.
8. Poussez immédiatement la machine sur la boule de papier journal.
9. Arrêtez le moteur et attendez l'arrêt de toutes les pièces mobiles.
10. Passez devant la machine et examinez la boule de papier journal.

Remarque: Si elle n'est pas passée sous la machine, répétez les opérations 4 à 10.

11. Si la boule est déroulée ou déchiquetée, cela signifie que la lame ne s'est pas arrêtée correctement et que la machine n'est pas sûre. Contactez un concessionnaire-réparateur agréé.

Recyclage de l'herbe coupée

À la livraison, votre machine est prête à recycler l'herbe et les feuilles coupées pour nourrir votre pelouse.

Si le bac à herbe est monté sur la machine et si le levier de ramassage sur demande est en position de ramassage, placez le levier en position de recyclage ; voir Utilisation du levier de ramassage sur demande (page 13) avant de procéder au recyclage des déchets d'herbe. Si l'éjecteur latéral est monté sur la machine, enlevez-le ; voir Retrait de l'éjecteur latéral (page 14) avant de procéder au recyclage.

Ramassage de l'herbe coupée

Utilisez le bac à herbe pour recueillir les débris d'herbe et de feuilles déposés sur la pelouse.

⚠ ATTENTION

Si le bac de ramassage est usé, des gravillons ou autres débris similaires peuvent être projetés vers l'utilisateur ou des personnes à proximité, et causer des blessures graves ou mortelles.

Examinez fréquemment le bac. S'il est endommagé, remplacez-le par un bac TORO neuf d'origine.

Si l'éjecteur latéral est monté sur la machine, enlevez-le ; voir Retrait de l'éjecteur latéral (page 14) avant de procéder au ramassage. Si le levier de ramassage sur demande est en position de recyclage, placez-le en position de ramassage ; voir Utilisation du levier de ramassage sur demande (page 13).

⚠ ATTENTION

La lame est tranchante et vous risquez de vous blesser gravement à son contact.

Coupez le moteur et attendez l'arrêt de toutes les pièces en mouvement avant de quitter la position de conduite.

Montage du bac à herbe

1. Soulevez le déflecteur arrière et gardez-le dans cette position (Figure 19)

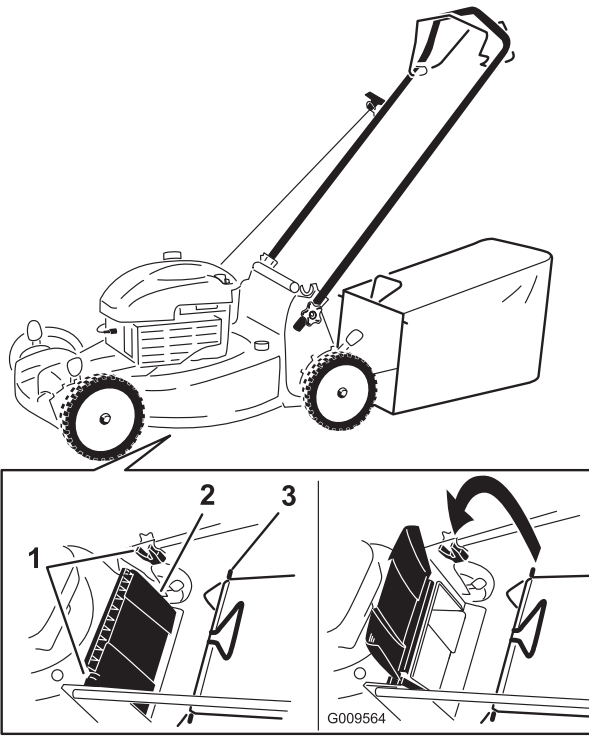


Figure 19

1. Crans
2. Déflecteur arrière
3. Ergot de bac à herbe (2)

2. Montez le bac à herbe en veillant à placer les ergots dans les crans du guidon (Figure 19).
3. Abaissez le déflecteur arrière.

Retrait du bac à herbe

Pour retirer le bac à herbe, inversez la procédure de montage décrite plus haut.

Utilisation du levier de ramassage sur demande

La fonction de ramassage sur demande vous permet de ramasser ou de recycler les déchets d'herbe et de feuilles quand le bac à herbe est monté sur la machine.

- Pour ramasser les déchets d'herbe et de feuilles, appuyez sur le bouton du levier de ramassage sur demande et déplacez le levier complètement en avant jusqu'à ce que le bouton ressorte (Figure 20).

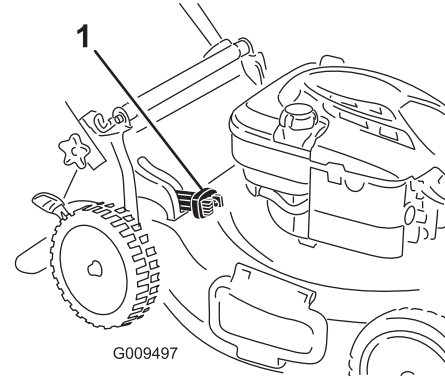


Figure 20

1. Levier de ramassage sur demande (position de ramassage)

- Pour recycler les déchets d'herbe et de feuilles, appuyez sur le bouton du levier et déplacez le levier en arrière jusqu'à ce que le bouton ressorte.

Important: Pour que le ramassage s'effectue correctement, enlevez les déchets d'herbe et autres qui se trouvent sur le volet de ramassage sur demande et l'ouverture (Figure 21) avant de changer la position du levier de ramassage sur demande.

ATTENTION

La lame est tranchante et vous risquez de vous blesser gravement à son contact. De plus, si l'ouverture d'éjection arrière n'est pas fermée, des gravillons ou autres débris similaires peuvent être projetés vers l'utilisateur ou des personnes à proximité, et causer des blessures graves ou mortelles.

Arrêtez le moteur et attendez l'arrêt complet des pièces mobiles avant de nettoyer le volet et l'ouverture de ramassage sur demande.

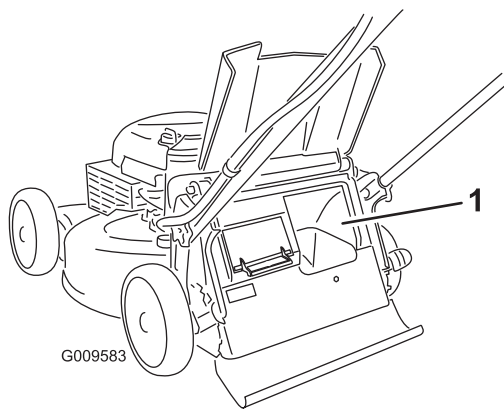


Figure 21

1. Nettoyer ici

Éjection latérale des brins d'herbe

Utilisez l'éjection latérale lorsque l'herbe est très longue.

Si le bac à herbe est monté sur la machine et si le levier de ramassage sur demande est en position de ramassage, placez le levier en position de recyclage ; voir Utilisation du levier de ramassage sur demande (page 13).

⚠ ATTENTION

La lame est tranchante et vous risquez de vous blesser gravement à son contact.

Coupez le moteur et attendez l'arrêt de toutes les pièces en mouvement avant de quitter la position de conduite.

Montage de l'éjecteur latéral

Soulevez le déflecteur latéral et montez l'éjecteur latéral (Figure 22).



Figure 22

Retrait de l'éjecteur latéral

Pour enlever l'éjecteur latéral, soulevez le déflecteur latéral, enlevez l'éjecteur et abaissez le déflecteur.

Conseils d'utilisation

Conseils de tonte généraux

- Débarrassez la zone de travail des branches, pierres, câbles, bâtons et autres débris qui pourraient être ramassés et projetés par la lame.
- Évitez de heurter des obstacles avec la lame. Ne passez jamais intentionnellement sur un objet quel qu'il soit.

- Si la machine a heurté un obstacle ou commence à vibrer, coupez immédiatement le moteur, débranchez la bougie et vérifiez si la machine n'est pas endommagée.
- Pour obtenir de meilleurs résultats, montez une lame neuve au début de la saison de tonte.
- Remplacez la lame dès que nécessaire par une lame Toro d'origine.
- Si la couche de feuilles fait plus de 13 cm d'épaisseur, réglez les roues avant un ou deux crans plus haut que les roues arrière
- Ralentez la vitesse de déplacement si les feuilles ne sont pas hachées assez menues.

La tonte

- Ne tondez l'herbe que sur 1/3 de sa hauteur à chaque fois. N'utilisez pas une hauteur de coupe inférieure à 54 mm, sauf si l'herbe est clairsemée ou à la fin de l'automne quand la pousse commence à ralentir. Voir la Réglage de la hauteur de coupe (page 9).
- Si l'herbe fait plus de 15 cm, effectuez un premier passage à vitesse réduite à la hauteur de coupe la plus haute. Effectuez ensuite un deuxième passage à une hauteur de coupe inférieure pour obtenir une coupe plus esthétique. L'herbe trop haute risque d'obstruer la machine et de faire caler le moteur.
- Ne tondez que si l'herbe ou les feuilles sont sèches. L'herbe et les feuilles humides ont tendance à s'agglomérer sur la pelouse et peuvent obstruer la machine et faire caler le moteur.

⚠ ATTENTION

En travaillant sur l'herbe ou les feuilles humides, vous risquez de glisser et de vous blesser gravement si vous touchez la lame en tombant. Ne tondez que si l'herbe est sèche.

- Soyez conscient des risques d'incendie par temps très sec, respectez tous les avertissements locaux relatifs aux incendies, et ne laissez pas l'herbe et les feuilles sèches s'accumuler sur la machine.
- Alternez la direction de la tonte, pour disperser les déchets d'herbe plus uniformément et obtenir une fertilisation plus homogène.
- Si l'aspect de la pelouse tondue n'est pas satisfaisant, essayez une ou plusieurs des solutions suivantes :
 - Remplacez la lame ou faites-la aiguiser.
 - Tondez en avançant plus lentement.
 - Augmentez la hauteur de coupe.
 - Tondez plus souvent.
 - Empiétez sur les passages précédents pour ne tondre qu'une largeur de bande réduite.
 - Réglez la hauteur de coupe des roues avant un cran en dessous de celle des roues arrière. Par exemple, réglez les roues avant à 54 mm et les roues arrière à 64 mm.

Hachage des feuilles

- Après la tonte, 50 % de la pelouse doit être visible sous la couche de feuilles hachées. À cet effet, vous devrez peut-être repasser plusieurs fois sur les feuilles.

Entretien

Remarque: Les côtés gauche et droit de la machine sont déterminés d'après la position d'utilisation.

Programme d'entretien recommandé

Périodicité d'entretien	Procédure d'entretien
Après les 5 premières heures de fonctionnement	<ul style="list-style-type: none">• Vidangez et remplacez l'huile moteur.
À chaque utilisation ou une fois par jour	<ul style="list-style-type: none">• Contrôlez le niveau d'huile moteur.• Vérifiez le fonctionnement du débrayage du frein de lame.• Enlevez l'herbe coupée et autres débris accumulés sous le carter de la machine.
Toutes les 25 heures	<ul style="list-style-type: none">• Remplacez le filtre à air une fois par an ou plus souvent s'il y a beaucoup de poussière.• Nettoyez la protection du débrayage du frein de lame.
Avant le remisage	<ul style="list-style-type: none">• Vidangez le réservoir de carburant avant le remisage et avant les réparations qui le nécessitent.
Une fois par an	<ul style="list-style-type: none">• Vidangez et remplacez l'huile moteur.• Remplacez la lame ou faites-la aiguïser (plus souvent si elle s'émousse rapidement).• Nettoyez le circuit de refroidissement d'air ; nettoyez-le plus souvent si vous travaillez dans une atmosphère poussiéreuse. Voir le Manuel de l'utilisateur du moteur.• Voir le Manuel de l'utilisateur du moteur pour toutes procédures d'entretien annuelles supplémentaires.

Important: Voir le Manuel de l'utilisateur du moteur pour toutes procédures d'entretien supplémentaires.

Remarque: Vous pouvez vous procurer des pièces de rechange chez n'importe quel réparateur agréé (rendez-vous sur le site www.Toro.com pour trouver le réparateur le plus proche) ou en vous rendant sur le site www.shoptoro.com.

Préparation à l'entretien

1. Arrêtez le moteur et attendez l'arrêt de toutes les pièces mobiles.
2. Débranchez le fil de la bougie (Figure 23) avant de procéder à un quelconque entretien.

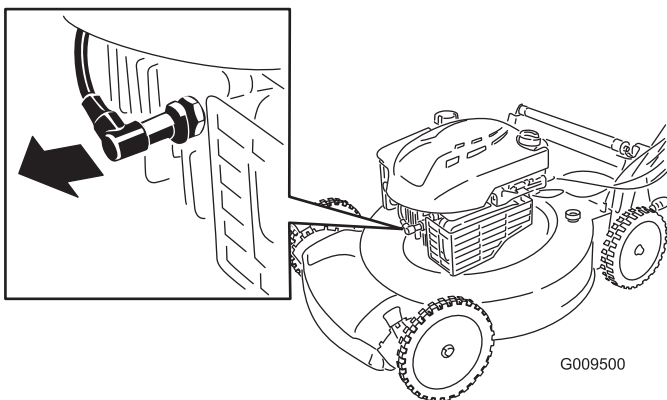


Figure 23

3. Rebranchez le fil de la bougie une fois l'entretien terminé.

Important: Avant de basculer la machine pour vidanger l'huile ou remplacer la lame, laissez le moteur en marche jusqu'à ce qu'il s'arrête faute

de carburant. Si vous ne pouvez pas attendre que le moteur s'arrête par manque de carburant, utilisez une pompe manuelle pour vider le reste de carburant. Basculez toujours la machine sur le côté (jauge en bas).

⚠ ATTENTION

Du carburant peut s'échapper lorsque la machine est basculée sur le côté. L'essence est inflammable et explosive, et peut provoquer des blessures.

Laissez tourner le moteur jusqu'à ce qu'il s'arrête faute de carburant ou vidangez le reste d'essence avec une pompe manuelle, pas un siphon.

Remplacement du filtre à air

Périodicité des entretiens: Toutes les 25 heures

1. Ouvrez le couvercle du filtre à air avec un tournevis (Figure 24)

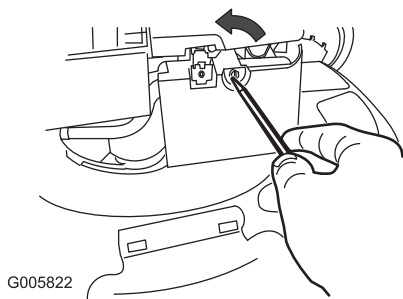


Figure 24

2. Remplacez le filtre à air (Figure 25).

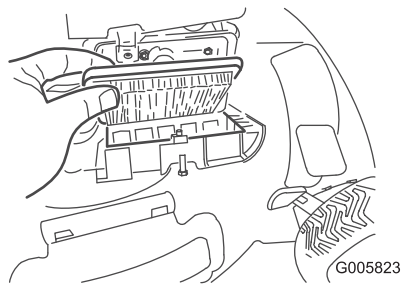


Figure 25

3. Remettez le couvercle en place.

Vidange et remplacement de l'huile moteur

Périodicité des entretiens: Après les 5 premières heures de fonctionnement

Une fois par an

L'huile moteur de première qualité « Toro Premium » es en vente chez les concessionnaires Toro agréés.

1. Garez la machine sur un sol plat et horizontal.
2. Vérifiez que le réservoir de carburant est pratiquement ou complètement vide pour éviter toute fuite de carburant quand vous couchez la machine sur le côté.
3. Faites tourner le moteur pendant quelques minutes avant la vidange pour réchauffer l'huile.

Remarque: L'huile chaude s'écoule plus facilement et entraîne plus d'impuretés.

4. Débranchez le fil de la bougie ; voir Préparation à l'entretien (page 16).
5. Placez un bac de vidange à côté de la machine, du côté le plus proche du tube de remplissage d'huile.
6. Retirez la jauge de niveau du tube de remplissage (Figure 26).

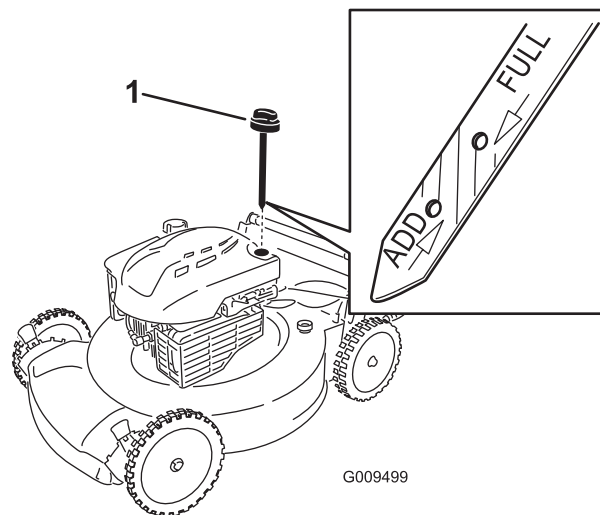


Figure 26

1. Jauge d'huile

7. Basculez la machine sur le côté, tube de remplissage en bas, pour vidanger l'huile usagée dans le bac de vidange par le tube de remplissage (Figure 27).

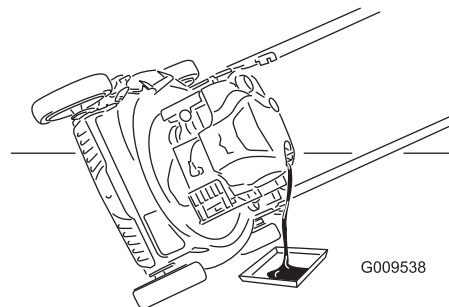


Figure 27

8. Redressez la machine après avoir vidangé l'huile usagée.
9. Versez environ 3/4 de la capacité d'huile totale dans le carter moteur.
10. Attendez 3 minutes pour donner le temps à l'huile de se déposer.
11. Essuyez la jauge sur un chiffon propre.
12. Enfoncez la jauge complètement dans le goulot de remplissage.
13. Sortez de nouveau la jauge et vérifiez le niveau d'huile.
 - Si le niveau n'atteint pas le repère minimum (**Add**) sur la jauge, versez lentement une petite quantité d'huile dans le goulot de remplissage et répétez les opérations 11 à 13 jusqu'à ce que le niveau atteigne le repère maximum (**Full**).
 - Si le niveau d'huile dépasse le repère maximum (**Full**) sur la jauge, vidangez l'excédent d'huile jusqu'à ce que le niveau soit redescendu au repère maximum.

Important: Si vous faites tourner le moteur alors que le niveau d'huile dans le carter est trop bas ou trop élevé, vous risquez d'endommager le moteur.

14. Insérez et vissez solidement la jauge dans le tube de remplissage.
15. Débarrassez-vous correctement de l'huile usagée en la déposant dans un centre de recyclage agréé.

Remplacement de la lame

Périodicité des entretiens: Une fois par an

Important: Vous aurez besoin d'une clé dynamométrique pour monter la lame correctement. Si vous n'en possédez pas ou si vous ne sentez pas être capable d'effectuer cette procédure, adressez-vous à un concessionnaire-réparateur agréé.

Examinez l'état de la lame chaque fois que le réservoir d'essence est vide. Si la lame est endommagée ou fêlée, remplacez-la immédiatement. Si la lame est émoussée ou ébréchée, faites-la aiguiser et équilibrer ou remplacez-la.

⚠ ATTENTION

La lame est tranchante et vous risquez de vous blesser gravement à son contact.

Portez des gants pour effectuer l'entretien de la lame.

1. Voir la Préparation à l'entretien (page 16).
2. Basculez la machine sur le côté, avec la jauge en bas.
3. Retirez les 2 écrous de la lame et le renfort (Figure 28).

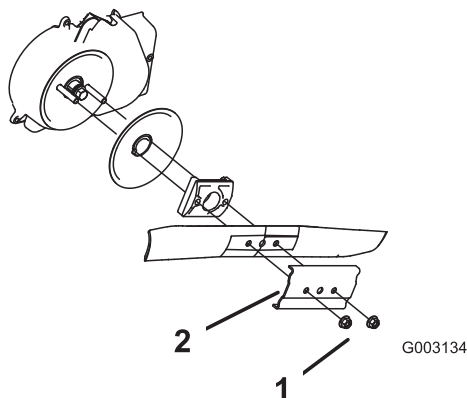


Figure 28

1. Écrous de lame
2. Renfort

4. Déposez la lame (Figure 28).
5. Posez la nouvelle lame (Figure 28).
6. Posez le renfort avec 2 écrous de lame retirés à l'opération 3.

Remarque: Serrez les écrous de lame à un couple de 20 à 37 Nm.

Nettoyage de la protection du débrayage du frein de lame

Périodicité des entretiens: Toutes les 25 heures

Nettoyez la protection du débrayage du frein de lame une fois par an pour empêcher la lame de caler en cours de tonte.

1. Voir la Préparation à l'entretien (page 16).
2. Basculez la machine sur le côté, avec la jauge en bas.
3. Retirez les 2 écrous de la lame et le renfort (Figure 29).

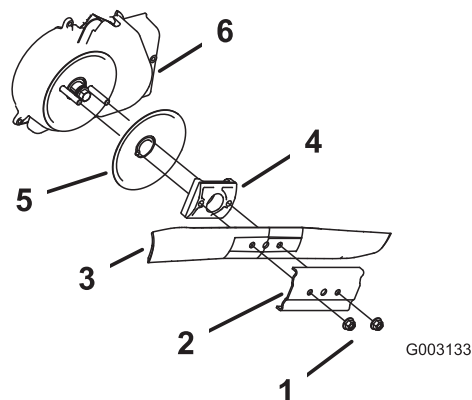


Figure 29

1. Écrous de lame
2. Renfort
3. Lame
4. Dispositif d'entraînement de la lame
5. Disque anti-scalp
6. Protection du débrayage du frein de lame

4. Déposez la lame (Figure 29).
5. Déposez le dispositif d'entraînement de la lame et le disque anti-scalp (Figure 29).
6. Déposez la protection du débrayage du frein de lame (Figure 29).
7. Enlevez les débris qui se trouvent à l'intérieur du déflecteur et sur les pièces qui l'entourent à la brosse ou à l'air comprimé.
8. Reposez la protection du débrayage du frein de lame déposée précédemment.
9. Reposez le dispositif d'entraînement de la lame et le disque anti-scalp déposés précédemment.
10. Reposez la lame et le renfort au moyen des 2 écrous de lame retirés précédemment (Figure 29).

Remarque: Serrez les écrous de lame à un couple de 20 à 37 Nm.

Réglage du câble de commande d'autopropulsion

Lorsque vous installez un nouveau câble de commande d'autopropulsion ou que l'autopropulsion est dérégulée, vous devez régler le câble de commande d'autopropulsion.

1. Desserrez l'écrou du support de guidage du câble (Figure 30).

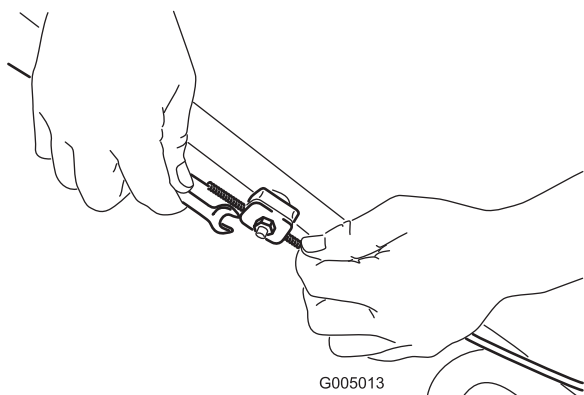


Figure 30

Cette figure est simplifiée pour plus de clarté.

2. Tirez la gaine du câble vers le bas (vers la machine) pour éliminer le mou du câble (Figure 31).

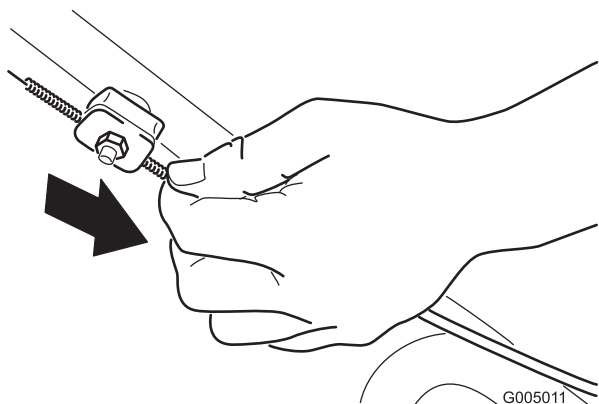


Figure 31

3. Serrez l'écrou du support de guidage du câble.

Nettoyage du dessous du carter de la machine

Périodicité des entretiens: À chaque utilisation ou une fois par jour

⚠ ATTENTION

Des projections provenant de sous la machine peuvent se produire.

- Portez des lunettes de protection.
- Restez à la position de conduite (derrière le guidon) quand le moteur est en marche.
- Ne laissez personne pénétrer dans la zone de travail.

Pour obtenir des résultats optimaux, nettoyez rapidement le carter de la machine après la tonte.

1. Abaissez la machine à la hauteur de coupe la plus basse ; voir Réglage de la hauteur de coupe (page 9).
2. Placez la machine sur une surface plate et revêtue.
3. Lavez le dessous du déflecteur arrière au point où l'herbe coupée passe du carter au bac de ramassage.

Remarque: Lavez le côté ramassage sur demande aux positions avant et arrière maximales.

4. Branchez un tuyau d'arrosage, relié à une arrivée d'eau, à l'embout de lavage du carter de la machine (Figure 32).

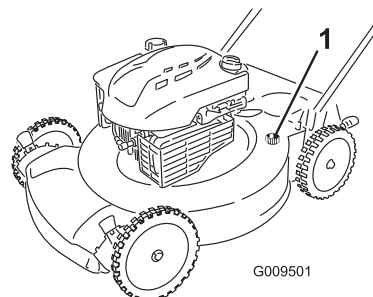


Figure 32

1. Embout de lavage

5. Ouvrez l'arrivée d'eau.
6. Mettez le moteur en marche et laissez-le tourner jusqu'à ce qu'il ne reste plus d'herbe sous le carter de la machine.
7. Arrêtez le moteur.
8. Coupez l'eau et débranchez le tuyau d'arrosage de l'embout de lavage.
9. Mettez le moteur en marche et laissez-le tourner quelques minutes pour sécher le carter et l'empêcher de rouiller.
10. Laissez refroidir le moteur avant de ranger la machine dans un local fermé.

Remisage

Remisez la machine dans un local frais, propre et sec.

Préparation de la machine au remisage

⚠ ATTENTION

Les vapeurs d'essence sont explosives.

- Ne conservez pas l'essence plus d'un mois.
- Ne remisez pas la machine dans un local fermé où se trouve une flamme nue.
- Laissez refroidir le moteur avant de remiser la machine.

1. Lors du dernier plein de la saison, ajoutez un stabilisateur au carburant selon les instructions du constructeur du moteur.
2. Débarrassez-vous correctement du carburant inutilisé. Recyclez-le conformément à la réglementation locale ou utilisez-le dans une voiture.

Remarque: La présence de carburant trop vieux dans le réservoir est la principale cause des problèmes de démarrage. Ne conservez pas le carburant non traité plus de 30 jours et le carburant traité plus de 90 jours.

3. Laissez tourner le moteur de la machine jusqu'à ce qu'il s'arrête faute de carburant.
4. Remettez le moteur en marche.
5. Laissez le moteur tourner jusqu'à ce qu'il s'arrête de nouveau. Le moteur est suffisamment sec lorsqu'il n'y a plus moyen de le faire démarrer.
6. Débranchez le fil de la bougie.
7. Retirez la bougie et versez 30 ml d'huile dans l'orifice. Tirez ensuite la poignée du lanceur lentement à plusieurs reprises pour bien répartir l'huile à l'intérieur du cylindre et empêcher celui-ci de rouiller pendant le remisage de la machine.
8. Remettez la bougie sans la serrer.
9. Serrez tous les écrous, boulons et vis.

Pliage du guidon

⚠ ATTENTION

Vous risquez d'endommager les câbles et de rendre la machine dangereuse à utiliser si vous pliez ou dépliez mal le guidon.

- Veillez à ne pas endommager les câbles en pliant ou dépliant le guidon.
- Si un câble est endommagé, adressez-vous à un concessionnaire-réparateur agréé.

1. Desserrez les boutons du guidon jusqu'à ce que la moitié supérieure bouge librement.
2. Pliez la moitié supérieure du guidon en avant de la manière indiquée (Figure 33).

Important: Faites passer les câbles à l'extérieur des boutons quand vous pliez le guidon.

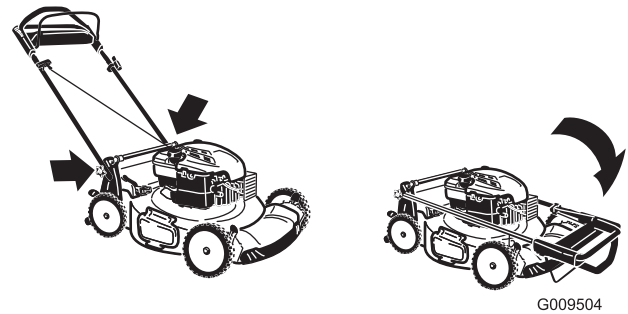


Figure 33

3. Pour déplier le guidon, inversez la procédure décrite plus haut.

Remise en service après remisage

1. Vérifiez le couple de serrage des fixations.
2. Retirez la bougie et faites tourner le moteur rapidement à l'aide du lanceur pour éliminer l'excédent d'huile dans le cylindre.
3. Reposez et serrez la bougie à 20 Nm à l'aide d'une clé dynamométrique.
4. Procédez aux entretiens requis, voir Entretien (page 16).
5. Vérifiez le niveau d'huile moteur ; voir Contrôle du niveau d'huile moteur (page 9).
6. Remplissez le réservoir de carburant d'essence neuve ; voir Remplissage du réservoir de carburant (page 8).
7. Rebranchez le fil de la bougie.

Liste des distributeurs internationaux

Distributeur :	Pays :	Numéro de téléphone :	Distributeur :	Pays :	Numéro de téléphone :
Atlantis Su ve Sulama Sisstemleri Lt	Turquie	90 216 344 86 74	Maquiver S.A.	Colombie	57 1 236 4079
Balama Prima Engineering Equip.	Hong Kong	852 2155 2163	Maruyama Mfg. Co. Inc.	Japon	81 3 3252 2285
B-Ray Corporation	Corée	82 32 551 2076	Agrolanc Kft	Hongrie	36 27 539 640
Casco Sales Company	Puerto Rico	787 788 8383	Mountfield a.s.	République tchèque	420 255 704 220
Ceres S.A.	Costa Rica	506 239 1138	Munditol S.A.	Argentine	54 11 4 821 9999
CSSC Turf Equipment (pvt) Ltd.	Sri Lanka	94 11 2746100	Oslinger Turf Equipment SA	Équateur	593 4 239 6970
Cyril Johnston & Co.	Irlande du Nord	44 2890 813 121	Oy Hako Ground and Garden Ab	Finlande	358 987 00733
Equiver	Mexique	52 55 539 95444	Parkland Products Ltd.	Nouvelle-Zélande	64 3 34 93760
Femco S.A.	Guatemala	502 442 3277	Prato Verde S.p.A.	Italie	39 049 9128 128
G.Y.K. Company Ltd.	Japon	81 726 325 861	Prochaska & Cie	Autriche	43 1 278 5100
Geomechaniki of Athens	Grèce	30 10 935 0054	RT Cohen 2004 Ltd.	Israël	972 986 17979
Guandong Golden Star	Chine	86 20 876 51338	Riversa	Espagne	34 9 52 83 7500
Hako Ground and Garden	Suède	46 35 10 0000	Sc Svend Carlsen A/S	Danemark	45 66 109 200
Hako Ground and Garden	Norvège	47 22 90 7760	Solvart S.A.S.	France	33 1 30 81 77 00
Hayter Limited (U.K.)	Royaume-Uni	44 1279 723 444	Spypros Stavrinides Limited	Chypre	357 22 434131
Hydroturf Int. Co Dubai	Émirats Arabes Unis	97 14 347 9479	Surge Systems India Limited	Inde	91 1 292299901
Hydroturf Egypt LLC	Egypte	202 519 4308	T-Markt Logistics Ltd.	Hongrie	36 26 525 500
Irriamc	Portugal	351 21 238 8260	Toro Australia	Australie	61 3 9580 7355
Irrigation Products Int'l Pvt Ltd.	Inde	86 22 83960789	Toro Europe NV	Belgique	32 14 562 960
Jean Heybroek b.v.	Pays-Bas	31 30 639 4611			

Déclaration de confidentialité européenne

Les informations recueillies par Toro

Toro Warranty Company (Toro) respecte votre vie privée. Pour nous permettre de traiter votre réclamation au titre de la garantie en cas de rappel d'un produit, nous vous prions de nous communiquer certains renseignements personnels soit directement soit par l'intermédiaire d'un concessionnaire Toro.

Le système de garantie de Toro est hébergé sur des serveurs situés aux États-Unis où la loi relative à la protection de la vie privée n'offre pas la même protection que dans votre pays.

EN NOUS FOURNISSANT DES RENSEIGNEMENTS PERSONNELS VOUS CONCERNANT, VOUS CONSENTEZ À CE QUE NOUS TRAITONS VOS RENSEIGNEMENTS PERSONNELS COMME DÉCRIT DANS CET AVIS DE CONFIDENTIALITÉ.

L'utilisation des informations par Toro

Toro peut utiliser vos renseignements personnels pour traiter vos réclamations au titre de la garantie et vous contacter dans l'éventualité d'un rappel de produit, ainsi que pour vous communiquer toute information nécessaire. Toro pourra partager les renseignements personnels que vous lui aurez communiqués avec les filiales, concessionnaires ou autres associés Toro en rapport avec ces activités. Nous ne vendrons vos renseignements personnels à aucune autre société. Nous nous réservons le droit de divulguer des renseignements personnels afin de satisfaire aux lois applicables et aux demandes des autorités concernées, pour assurer l'utilisation correcte de nos systèmes ou votre protection et celle d'autres usagers.

Conservation de vos renseignements personnels

Nous conserverons vos renseignements personnels uniquement pendant la durée nécessaire pour répondre aux fins pour lesquelles nous les avons collectés ou autres fins légitimes (comme la conformité réglementaire), ou conformément à la loi en vigueur.

Engagement de Toro relatif à la sécurité de vos renseignements personnels

Nous prenons toutes les précautions raisonnables pour protéger la sécurité de vos renseignements personnels. Nous prenons également les mesures nécessaires pour que vos renseignements personnels restent exacts et à jour.

Consultation et correction de vos renseignements personnels

Si vous souhaitez vérifier ou corriger vos renseignements personnels, veuillez nous contacter par courriel à legal@toro.com.

Droits des consommateurs australiens

Les consommateurs australiens trouveront les détails relatifs aux droits des consommateurs australiens soit à l'intérieur de l'emballage soit chez leur concessionnaire Toro local.



La garantie Toro et La garantie de démarrage Toro

Conditions et produits couverts

The Toro Company et sa filiale, Toro Warranty Company, en vertu d'un accord mutuel, s'engagent conjointement à réparer, pour l'acheteur d'origine¹, le Produit Toro listé ci-dessous en cas de défaut de matériau ou vice de fabrication, ou si le moteur Toro GTS (Garantie de démarrage) ne démarre pas dès le premier ou le deuxième essai, à condition que l'entretien courant requis dans le *Manuel de l'utilisateur* ait été effectué.

Durées de la garantie à partir de la date d'achat :

Produits	Période de garantie
Tondeuses autotractées	
• Plateau moulé	5 ans (usage résidentiel) ² 90 jours (usage commercial)
• Moteur	5 ans de garantie GTS (usage résidentiel) ³
• Batterie	2 ans
• Plateau acier	2 ans (usage résidentiel) ² 90 jours (usage commercial)
• Moteur	2 ans de garantie GTS (usage résidentiel) ³
Tondeuses TimeMaster	3 ans (usage résidentiel) ² 90 jours (usage commercial)
• Moteur	3 ans de garantie GTS (usage résidentiel) ³
• Batterie	2 ans
Produits électriques à main	2 ans (usage résidentiel) ² Pas de garantie pour usage commercial
Souffleuses à neige	
• Une phase	2 ans (usage résidentiel) ² 45 jours (usage commercial)
• Moteur	2 ans de garantie GTS (usage résidentiel) ³
• Deux phases	3 ans (usage résidentiel) ² 45 jours (usage commercial)
• Éjecteur, déflecteur et couvercle du carter de turbine	À vie (propriétaire d'origine uniquement) ⁵
Souffleuses à neige électriques	2 ans (usage résidentiel) ² Pas de garantie pour usage commercial
Toutes les tondeuses autoportées ci-dessous	
• Moteur	Voir la garantie constructeur du moteur ⁴
• Batterie	2 ans (usage résidentiel) ²
• Accessoires	2 ans (usage résidentiel) ²
Tracteurs de jardin et tondeuses autoportées DH	2 ans (usage résidentiel) ² 90 jours (usage commercial)
Tracteurs de jardin et tondeuses autoportées XLS	3 ans (usage résidentiel) ² 90 jours (usage commercial)
Tondeuses TimeCutter	3 ans (usage résidentiel) ² 90 jours (usage commercial)
Tondeuses TITAN	3 ans ou 240 heures ⁵
• Cadre	À vie (propriétaire d'origine uniquement) ⁶
Tondeuses Z Master – Série 2000	4 ans ou 500 heures ⁵
• Cadre	À vie (propriétaire d'origine uniquement) ⁶

¹Le terme « acheteur d'origine » signifie la première personne qui s'est portée acquéreur du produit Toro.

²L'usage résidentiel désigne l'utilisation du produit sur le terrain où se trouve votre domicile. L'utilisation dans d'autres lieux est considérée comme un usage commercial, couvert par une garantie limitée.

³La garantie de démarrage (GTS) Toro ne s'applique pas si le produit est utilisé à des fins commerciales.

⁴Certains moteurs utilisés sur les produits Toro sont couverts par la garantie constructeur du moteur.

⁵Selon la première échéance.

⁶Garantie à vie du cadre – Si le cadre principal, qui est constitué de pièces soudées ensemble pour former la structure du tracteur et sur lequel sont fixés d'autres composants, comme le moteur, se fissure ou est cassé pendant l'utilisation normale, il sera réparé ou remplacé, au choix de Toro, gratuitement dans le cadre de la garantie, pièces et main-d'œuvre comprises. Toute défaillance du cadre causée par un usage incorrect ou abusif et toute défaillance ou réparation requise pour cause de rouille ou de corrosion n'est pas couverte.

Cette garantie couvre le coût des pièces et de la main-d'œuvre, mais le transport est à votre charge.

La garantie sera annulée si le compteur horaire est débranché, modifié ou semble avoir été trafiqué.

Responsabilités du propriétaire

L'entretien de votre produit Toro doit être conforme aux procédures décrites dans le *Manuel de l'utilisateur*. Cet entretien courant est à vos frais, qu'il soit effectué par vous-même ou par un concessionnaire.

Comment faire intervenir la garantie

Si vous pensez que votre produit Toro présente un vice de matériau ou de fabrication, procédez comme suit :

1. Demandez à votre revendeur de prendre en charge votre produit. Si pour une raison quelconque il vous est impossible de contacter votre revendeur, vous pouvez vous adresser à n'importe quel concessionnaire Toro agréé pour l'entretien de votre produit. Consultez la liste des distributeurs jointe.
2. Lorsque vous vous rendez chez le réparateur, apportez le produit et une preuve d'achat (reçu). Si, pour une raison quelconque, vous n'êtes pas satisfait du diagnostic de votre réparateur ou des conseils prodigués, n'hésitez pas à nous contacter à l'adresse suivante :

Toro Customer Care Department, RLC Division
Toro Warranty Company
8111 Lyndale Avenue South
Bloomington, MN 55420-1196, États-Unis
001-952-948-4707

Ce que la garantie ne couvre pas

Cette garantie expresse ne couvre pas :

- Les frais normaux d'entretien et de remplacement de pièces telles que lames, pales de vis sans fin (palettes), lames racleuses, courroies, carburant, lubrifiants, vidanges d'huile, bougies, pneus, câble/tringlerie ou réglages des freins.
- Les produits ou pièces ayant subi des modifications ou un usage abusif, et nécessitant un remplacement ou une réparation en raison d'un accident ou d'un défaut d'entretien.
- Les réparations requises en raison de l'utilisation de carburant non frais (vieux de plus d'un mois) ou d'une mauvaise préparation de la machine avant toute période de non utilisation de plus d'un mois.
- Toutes les réparations couvertes par ces garanties doivent être effectuées par un réparateur Toro agréé, à l'aide de pièces de rechange agréées par Toro.

Conditions générales

L'acheteur est couvert par la législation nationale de chaque pays. Les droits de l'acheteur, soutenus par la législation, ne sont pas limités par la présente garantie.



55 cm Recycler® gazonmaaier

Modelnr.: 20958—Serienr.: 313000001 en hoger

Gebruikershandleiding

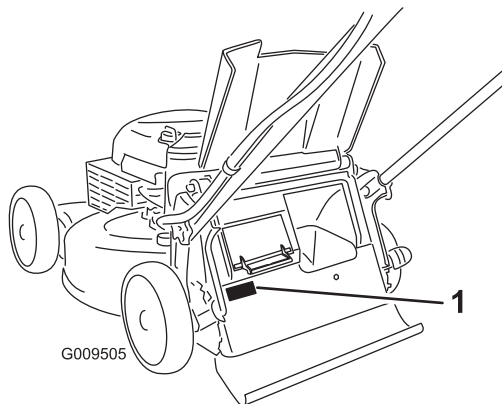
Inleiding

Deze loopmaaier met draaiende messen is bedoeld voor gebruik door particulieren. De machine is voornamelijk ontworpen voor het maaien van gras op goed onderhouden particuliere gazons. De machine is niet ontworpen voor het maaien van struikgewas of voor gebruik in de landbouw.

Lees deze informatie zorgvuldig door, zodat u weet hoe u de machine op de juiste wijze moet gebruiken en onderhouden en om letsel en schade aan de machine te voorkomen. U bent verantwoordelijk voor het juiste en veilige gebruik van de machine.

U kunt rechtstreeks contact opnemen met Toro op www.Toro.com voor informatie over producten en accessoires, hulp bij het vinden van een dealer of om uw product te registreren.

Als u service, originele Toro-onderdelen of aanvullende informatie nodig hebt, kunt u contact opnemen met een erkende Service Dealer of met de klantenservice van Toro. U dient hierbij altijd het modelnummer en het serienummer van het product te vermelden. De locatie van het plaatje met het modelnummer en het serienummer van het product is aangegeven op Figuur 1.



Figuur 1

1. Plaatje met modelnummer en serienummer

U kunt het modelnummer en het serienummer noteren in de ruimte hieronder:

Modelnr.:	_____
Serienr.:	_____

Er worden in deze handleiding een aantal mogelijke gevaren en een aantal veiligheidsberichten genoemd (Figuur 2) met de volgende veiligheidssymbolen, die duiden op een gevaarlijke situatie die zwaar lichamelijk letsel of de dood tot gevolg kan hebben wanneer de veiligheidsvoorschriften niet in acht worden genomen.



Figuur 2

1. Veiligheidssymbool

Er worden in deze handleiding twee woorden gebruikt om uw aandacht op bijzondere informatie te vestigen. **Belangrijk** attendeert u op bijzondere technische informatie en **Opmerking** duidt algemene informatie aan die bijzondere aandacht verdient.

Dit product voldoet aan alle relevante Europese richtlijnen. Zie voor details de aparte productspecifieke conformiteitsverklaring.

Voor modellen waarvan het aantal PK is aangegeven, is de bruto PK door de motorfabrikant gemeten in laboratoriumomstandigheden gemeten volgens SAE J1940. Omdat bij de configuratie rekening is gehouden met de veiligheids-, emissie- en gebruiksvoorschriften, zal de motor van dit type gazonmaaiers in de praktijk veel minder PK hebben.

Laat de bedieningsorganen en het afgesteld motortoerental ongemoeid, anders kan er een onveilige situatie ontstaan waardoor u letsel kunt oplopen.

Inhoud

Inleiding	1
Algemene veiligheidsregels met betrekking tot de maaimachine	2
Geluidsdruk	4
Geluidsniveau	4
Hand-armtrillingen	4
Veiligheids- en instructiestickers	5
Montage	6
1 De bedieningsstang voor het maimes monteren	6
2 De handgreep bevestigen	6



3 De startkoord aanbrengen in de koordgeleider	6
4 De motor bijvullen met olie	7
Algemeen overzicht van de machine	8
Specificaties	8
Gebruiksaanwijzing	8
De brandstoftank vullen	8
Het motoroliepeil controleren	9
De maaihoogte instellen	9
De motor starten	10
De zelfaandrijving gebruiken	10
Motor afzetten	10
Het maaimes inschakelen	11
Het maaimes uitschakelen	11
Werking van de mesremkoppeling controleren	11
Maaisel recycleren	12
Het maaisel opvangen	12
Het maaisel zijwaarts afvoeren	13
Tips voor bediening en gebruik	14
Onderhoud	15
Aanbevolen onderhoudsschema	15
Vorbereidingen voor onderhoudswerkzaamheden	15
Het luchtfilter vervangen	16
De motorolie verversen	16
Het maaimes vervangen	17
Scherm van de mesremkoppeling reinigen	17
Kabel van elfaandrijving afstellen	18
De onderkant van de machinebehuizing reinigen	18
Stalling	19
Vorbereidingen voor stalling	19
De handgreep inklappen	19
De maaimachine uit de stalling halen	20

Veiligheid

Onjuist gebruik of onderhoud van deze maaier kan letsel tot gevolg hebben. Houd u aan deze veiligheidsinstructies om het risico op letsel te verminderen.

Toro heeft deze maaier ontworpen voor en getest op veilig gebruik. Als u zich echter niet houdt aan de volgende instructies kan dit lichamenlijk letsel tot gevolg hebben.

Het is van essentieel belang dat u en eventuele andere gebruikers van de maaier de inhoud van deze handleiding lezen en begrijpen voordat de motor voor het eerst wordt gestart om maximale veiligheid en de beste prestaties te garanderen en zodat u kennis over het product opdoet. Let met name op het symbool voor veiligheidswaarschuwingen (Figuur 2) dat Voorzichtig, Waarschuwing of Gevaar – “instructie voor persoonlijke veiligheid” kan betekenen. Zorg dat u de instructies leest en begrijpt, dit is belangrijk voor de veiligheid. Niet-naleving van de instructie kan leiden tot lichamenlijk letsel.

Algemene veiligheidsregels met betrekking tot de maaimachine

De volgende instructies zijn ontleend aan EN 836.

Deze maaimachine kan handen of voeten amputeren en voorwerpen uitwerpen. Als u de veiligheidsinstructies niet opvolgt, kan dit leiden tot ernstig of dodelijk letsel.

Instructie

- Lees deze handleiding aandachtig door. Zorg ervoor dat u vertrouwd raakt met bedieningsorganen en weet hoe u de machine moet gebruiken.
- Laat nooit kinderen of personen die de instructies niet kennen, de maaimachine gebruiken. Voor de bestuurder kan een wettelijke minimumleeftijd gelden.
- Onthoud dat de bestuurder verantwoordelijk is voor ongevallen of schade aan andere personen of hun eigendommen.
- Zorg ervoor dat u de uitleg over alle pictogrammen op de maaimachine en in de instructies hebt gelezen en begrepen.

Benzine

▲ WAARSCHUWING

Benzine is uiterst ontvlambaar. Neem de volgende voorzorgsmaatregelen.

- **Bewaar brandstof uitsluitend in tanks of blikken die speciaal daarvoor bedoeld zijn.**
- **Vul de brandstoftank nooit binnenshuis; tijdens het bijvullen niet roken.**
- **Vul brandstof bij voordat u de motor start. Verwijder nooit de dop van de brandstoftank en vul nooit benzine bij wanneer de motor loopt of heet is.**
- **Als er brandstof gemorst mag u de motor niet aanzetten, maar dient u eerst de maaimachine verplaatsen. Zorg ervoor dat er geen ontstekingsbronnen in de buurt van de gemorste brandstof komen totdat alle benzinedampen verdwenen zijn.**
- **Doe steeds de dop weer zorgvuldig op brandstoftanks en -containers.**

Vóór ingebruikname

- Draag tijdens het maaien altijd een lange broek en stevige schoenen. Draag geen schoenen met open tenen en loop niet op blote voeten.
- Inspecteer eerst grondig het terrein waar u de machine wilt gebruiken en verwijder alle stenen, takken, draden, botten of andere vreemde voorwerpen.

- Controleer vóór gebruik altijd of de beschermplaten en veiligheidsvoorzieningen zoals grasgeleiders en grasvangers, op hun plaats zitten en naar behoren werken.
- Controleer vóór het gebruik de messen, bevestigingsbouten en het maaimechanisme altijd op sporen van slijtage of beschadiging. Vervang versleten of beschadigde messen en bouten altijd als complete set om een goede balans te behouden.

Starten

Houd u bij het starten van de motor zorgvuldig aan de voorschriften en houd uw voeten uit de buurt van de maaimes(sen) en niet vóór de afvoeropening.

Gebruiksaanwijzing

- Houd iedereen weg uit het gebied waarin u de machine gebruikt, met name kinderen en huisdieren.
- Maai uitsluitend bij daglicht of goed kunstlicht.
- Let op kuilen in het terrein en andere verborgen gevaren.
- Houd handen en voeten uit de buurt van draaiende onderdelen. Blijf altijd uit de buurt van de afvoeropening.
- U mag een maaimachine nooit optillen of dragen terwijl de motor loopt.
- Ga zeer voorzichtig te werk als u een loopmaaimachine achteruitrijdt of naar u toetrekt.
- Lopen, nooit rennen.
- Hellingen:
 - Maai niet op al te steile hellingen.
 - Wees uiterst voorzichtig op hellingen.
 - Maai dwars over een helling, nooit helling op en af, en wees uiterst voorzichtig als u op een helling van richting verandert.
 - Zorg dat u op hellingen altijd stevig staat.
- Verminder de snelheid op een helling en in een scherpe bocht om te voorkomen dat de machine omkantelt of dat u de controle over de machine verliest.
- Zorg ervoor dat het mes stilstaat als u de maaimachine schuin moet houden om oppervlakken over te steken die niet met gras zijn begroeid, en als u de machine naar het terrein brengt waar u moet maaien of daar weer weghaalt.
- Laat de motor nooit in een afgesloten ruimte lopen, omdat zich daar giftige koolmonoxidedampen kunnen verzamelen.
- Zet de motor af,
 - als u de maaimachine achterlaat.
 - voordat u brandstof bijvult.
 - voordat u de grasvanger verwijdert.
 - voordat u de maaihoogte instelt, tenzij die vanaf de bestuurderspositie kan worden ingesteld.
- Zet de motor af en maak de bougiekabel los:

- voordat u verstoppingen losmaakt of het uitwerpkanaal ontstopt.
- voordat u de maaimachine controleert, reinigt of er werkzaamheden aan verricht.
- als u een vreemd voorwerp heeft geraakt, moet u de maaimachine op beschadigingen controleren en reparaties uitvoeren voordat u de machine opnieuw start en weer in gebruik neemt.
- als de maaimachine abnormaal begint te trillen (direct controleren).
- Bliksem kan ernstig of dodelijk letsel veroorzaken. Als u bliksem ziet of donder hoort in het gebied, gebruik de machine dan niet; ga schuilen.
- Let op het verkeer als u in de buurt van een weg werkt of deze oversteekt.

Onderhoud en opslag

- Draai alle moeren, bouten en schroeven regelmatig strak aan, zodat de machine steeds veilig kan worden gebruikt.
- Gebruik geen hogedrukreinigers op de machine.
- Als er zich brandstof in de tank bevindt, mag u de machine niet opslaan in een afgesloten ruimte waar brandstofdampen in contact kunnen komen met open vuur of vonken.
- Laat de motor afkoelen voordat u de machine in een afgesloten ruimte opslaat.
- Om het risico van brand te verminderen, moet u de motor, de geluiddemper, het accucompartiment en de benzinetank vrij van gras, bladeren of overtollig vet houden.
- U moet de onderdelen van de grasvanger en de afvoergeleider regelmatig controleren en, indien nodig, vervangen door onderdelen die de fabrikant heeft aanbevolen.
- Vervang versleten of beschadigde onderdelen met het oog op een veilig gebruik.
- Vervang geluiddempers die gebreken vertonen.
- Als het nodig is de brandstoftank af te tappen, doe dit dan buiten.
- Verander de instellingen van de motor niet en voorkom overbelasting van de motor. Laat de motor niet met een te hoog toerental lopen omdat dit de kans op ongevallen kan vergroten.
- Wees voorzichtig als u de machine afstelt en voorkom dat uw vingers bekneld raken tussen de draaiende messen en de vaste onderdelen van de machine.
- **Om de beste prestaties en een veilig gebruik te verzekeren, dient u uitsluitend originele Toro-onderdelen en accessoires te gebruiken. Gebruik nooit universele onderdelen en accessoires; deze kunnen de veiligheid in gevaar brengen.**

Geluidsdruk

Deze machine oefent een geluidsdruk van 88 dBA uit op het gehoor van de gebruiker, met een onzekerheidswaarde (K) van 1 dBA.

De geluidsdruk is vastgesteld volgens de procedures in EN 836.

Geluidsniveau

Deze machine heeft een gegarandeerd geluidsniveau van 98 dBA uit met een onzekerheidswaarde (K) van 1 dBA.

Het geluidsniveau is vastgesteld volgens de procedures in ISO 11094.

Hand-armtrillingen

Gemeten trillingsniveau op de rechterhand = $4,7 \text{ m/s}^2$

Gemeten trillingsniveau op de linkerhand = 5.1 m/s^2

Onzekerheidswaarde (K) = $2,0 \text{ m/s}^2$

De gemeten waarden zijn bepaald volgens de procedures in EN 836.

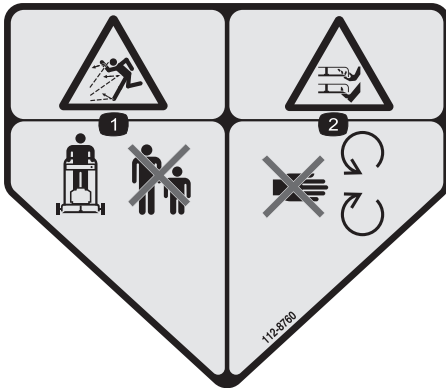
Veiligheids- en instructiestickers

Belangrijk: Veiligheidsstickers en veiligheidsinstructies bevinden zich bij plaatsen waar gevaar kan ontstaan. Vervang beschadigde stickers.



Merktken van fabrikant

1. Geeft aan dat het mes onderdeel van een originele Toro-maaimachine is.



112-8760

1. De machine kan voorwerpen uitwerpen – Houd omstanders op een veilige afstand van de machine.
2. Hands of voeten kunnen worden gesneden/geamputeerd – Blijf uit de buurt van bewegende onderdelen.



112-8867

1. Vergrendelen
2. Ontgrendelen



114-7982

1. Waarschuwing – Raadpleeg de *Gebruikershandleiding*.
2. De machine kan voorwerpen uitwerpen – Houd omstanders op een veilige afstand van de machine.
3. Hands of voeten kunnen worden gesneden/geamputeerd, maaimes – Trek de bougiekabel los en raadpleeg de instructies vóór u service- of onderhoudswerkzaamheden uitvoert.
4. Hands of voeten kunnen worden gesneden/geamputeerd door het maaimes – Blijf uit de buurt van bewegende onderdelen.
5. Hands of voeten kunnen worden gesneden/geamputeerd door het maaimes – Maai nooit heuvelopwaarts en heuvelafwaarts. Gebruik de machine dwars op hellingen. Zet de motor af voordat u de bestuurderspositie verlaat en kijk achterom als u achteruitloopt.

Montage

Belangrijk: Verwijder de beschermfolie van de motor en werp deze weg.

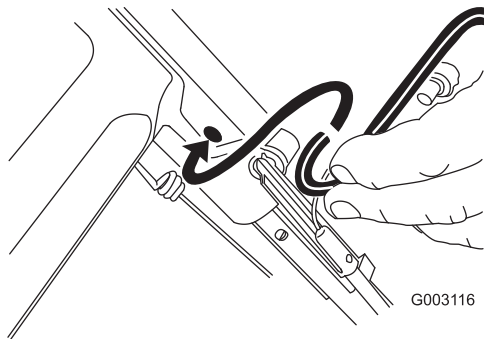
1

De bedieningsstang voor het maimes monteren

Geen onderdelen vereist

Procedure

Plaats de bedieningsstang van het maimes in het bovenste deel van de handgreep (Figuur 3).



Figuur 3

2

De handgreep bevestigen

Geen onderdelen vereist

Procedure

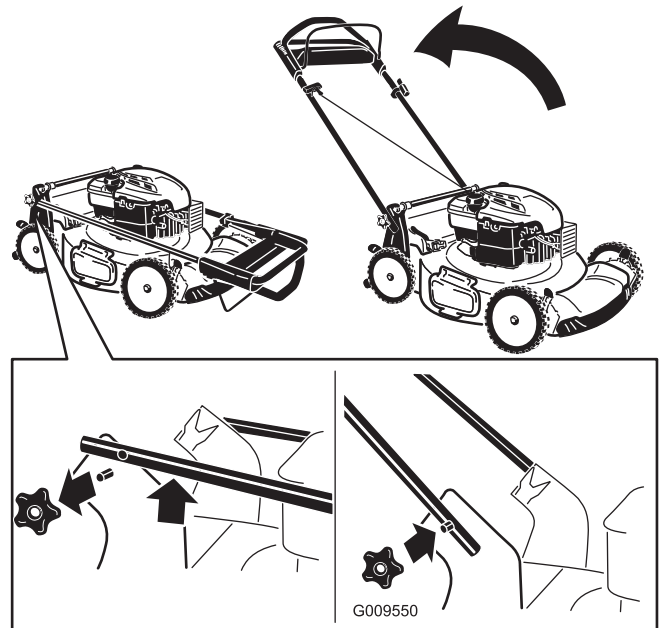
⚠ WAARSCHUWING

Als de handgreep verkeerd wordt in- en uitgeklapt, kunnen de kabels schade oplopen, waardoor de machine niet veilig kan worden gebruikt.

- Zorg ervoor dat u de kabels niet beschadigt als u de handgreep in- of uitklapt.
- Indien een kabel is beschadigd, moet u contact opnemen met een erkende Service Dealer.

1. Verwijder de handgreepknoppen van de machinebehuizing (Figuur 4).

Belangrijk: Leid de kabels naar de buitenzijde van de handgreepknoppen terwijl u de handgreep plaatst.



Figuur 4

2. Zet de handgreep in de werkstand.
3. Plaats de handgreepknoppen die u tijdens stap 1 hebt verwijderd terug en draai deze vast.

3

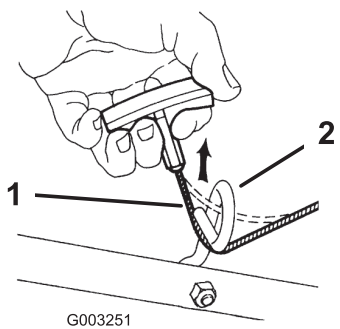
De startkoord aanbrenge in de koordgeleider

Geen onderdelen vereist

Procedure

Belangrijk: Om de motor veilig en snel te kunnen starten voor elk gebruik dient u de startkoord aan te brengen in de koordgeleider.

Trek het startkoord door de koordgeleider op de handgreep (Figuur 5).



G003251

Figuur 5

1. Startkoord

2. Koordgeleider

4

De motor bijvullen met olie

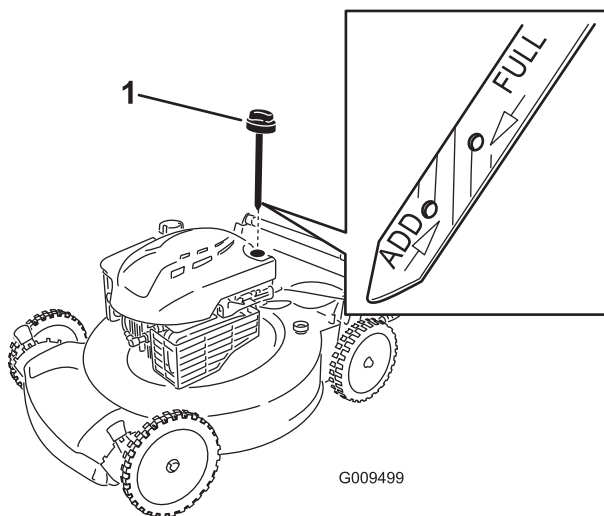
Geen onderdelen vereist

Procedure

Belangrijk: Uw machine wordt geleverd zonder olie in de motor. Vul het motorcarter met olie voordat u de motor start.

1. Plaats de machine op een horizontaal oppervlak.
2. Neem de peilstok eruit (Figuur 6) en giet ongeveer 3/4 van de capaciteit van het oliecarter in de vulbuis.

Opmerking: Maximaal vulhoeveelheid: 0,59 liter, type: SAE 30 reinigingsolie, met onderhoudsclassificatie SF, SG, SH, SJ, SL van het American Petroleum Institute (API) of hoger.



G009499

Figuur 6

1. Peilstok

3. Veeg de peilstok met een schone doek schoon.

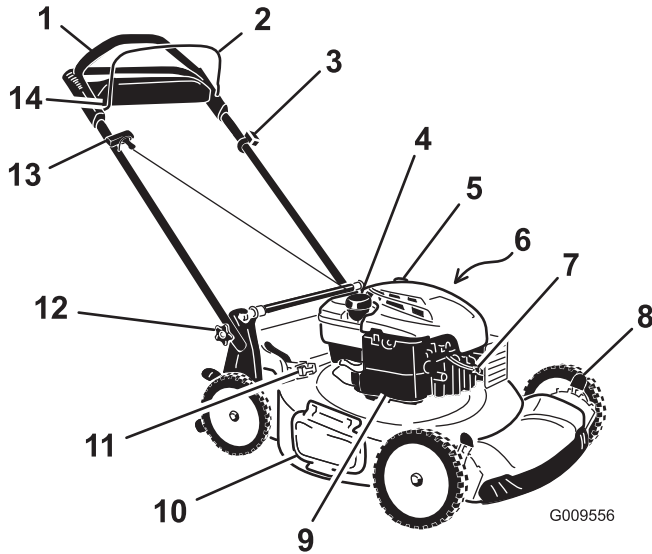
4. Steek de peilstok volledig in de vulbuis.
5. Haal de peilstok eruit en controleer het oliepeil; zie Figuur 6.
 - Als het peil onder de **Bijvullen**-markering op de peilstok staat, giet dan langzaam een kleine hoeveelheid olie in de vulbuis, wacht 3 minuten en herhaal de stappen 3 tot en met 5 totdat het peil de **Vol**-markering op de peilstok bereikt.
 - Als de olie tot boven de **Vol**-markering op de peilstok reikt, laat dan de overtollige olie weglopen tot het peil de **Vol**-markering op de peilstok bereikt. Voor het aftappen van overtollige olie, zie De motorolie verversen (bladz. 16).

Belangrijk: Als het oliepeil in het carter te hoog of te laag is en u laat de motor toch draaien, kunt u deze beschadigen.

6. Plaats de peilstok goed in de vulbuis.

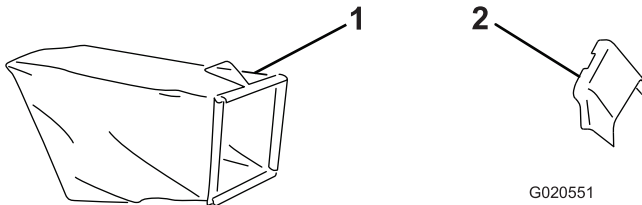
Belangrijk: Ververs de motorolie na de eerste 5 bedrijfsuren; daarna moet dit elk jaar gebeuren. Zie De motorolie verversen (bladz. 16).

Algemeen overzicht van de machine



Figuur 7

- | | |
|------------------------------------|---------------------------------------|
| 1. Handgreep | 8. Maaihoogtehendel (4) |
| 2. Bedieningsstang voor maaimes | 9. Luchtfilter |
| 3. Contactschakelaar | 10. Zijuitwerpkanaal |
| 4. Dop van brandstoftank | 11. Grasvangerhendel |
| 5. Vulbuis/Peilstok | 12. Handgreepknoppen (2) |
| 6. Wasaansluiting (niet afgebeeld) | 13. Handgreep van startkoord |
| 7. Bougie | 14. Vergrendeling van bedieningsstang |



Figuur 8

- | | |
|---------------|---------------------|
| 1. Grasvanger | 2. Zijuitwerpkanaal |
|---------------|---------------------|

Specificaties

Type	Gewicht	Lengte	Breedte	Hoogte
20958	41 kg	150 cm	58 cm	107 cm

Gebruiksaanwijzing

De brandstoftank vullen

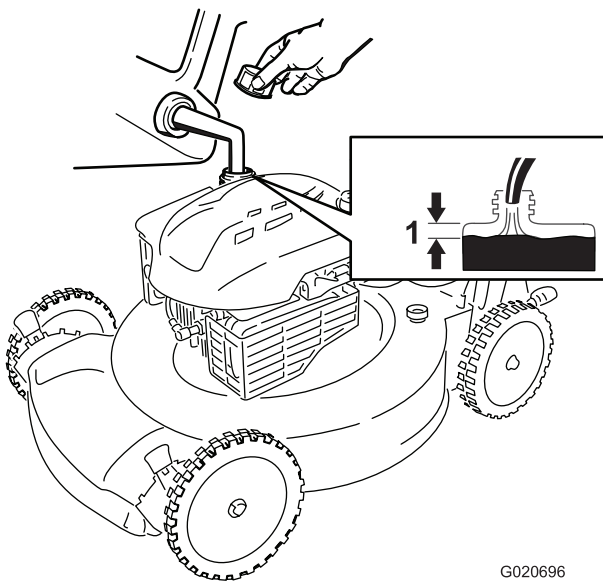
⚠ GEVAAR

Benzine is uitermate ontvlambaar en explosief. Brand of explosie van benzine kan brandwonden veroorzaken.

- Om te voorkomen dat een statische lading de benzine tot ontbranding kan brengen, moet u het benzinevat en/of de machine voordat u de tank vult op de grond plaatsen, niet op een voertuig of een ander object.
- Vul de brandstoftank in de open lucht wanneer de motor koud is. Neem gemorste benzine op.
- Rook niet als u omgaat met benzine, en houd benzine uit de buurt van open vuur of brandstof.
- Bewaar benzine in een goedgekeurd benzinevat en buiten bereik van kinderen.
- Gebruik voor de beste resultaten uitsluitend schone, verse, loodvrije benzine met een octaangetal van 87 of hoger (indelmethode (R+M)/2).
- Met zuurstof verrijkte benzine met ten hoogste 10 % ethanol of 15 % MTBE is geschikt.
- **Geen** ethanolmengsels van benzine gebruiken (zoals E15 of E85) met meer dan 10 % ethanol per volume. Dit kan leiden tot verminderde prestaties en/of motorschade die mogelijk niet gedekt wordt door de garantie.
- **Geen** benzine gebruiken die methanol bevat.
- Tijdens de winter **geen** brandstof bewaren in de brandstoftank of in brandstofblikken, tenzij een stabilizer aan de brandstof werd toegevoegd.
- **Meng** nooit olie door benzine.

Belangrijk: Om startproblemen te vermijden moet u het hele seizoen een stabilizer toevoegen aan de benzine. Gebruik nooit benzine die ouder is dan 30 dagen.

1. Reinig de omgeving van de tankdop en verwijder de dop van de tank (Figuur 9).



Figuur 9

G020696

1. 6 mm

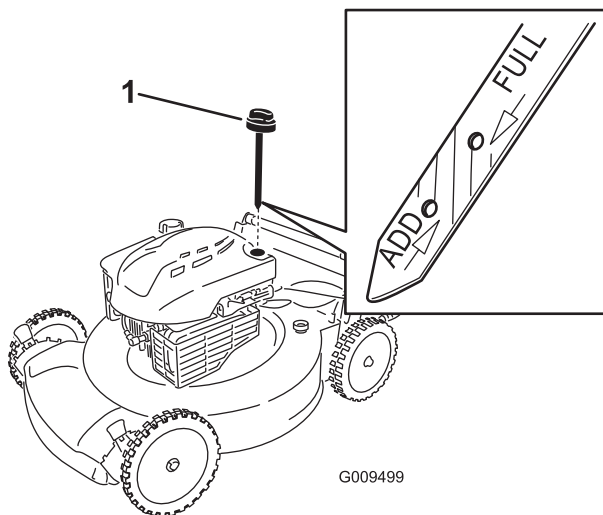
2. Vul de brandstoftank tot er nog minstens 6 mm onder de onderkant van de vulbuis vrij blijft, zodat de benzine kan uitzetten.
3. Draai de brandstofdop stevig vast met de hand.

Het motoroliepeil controleren

Onderhoudsinterval: Bij elk gebruik of dagelijks

Opmerking: Maximaal vulhoeveelheid: 0,59 liter, type: SAE 30 reinigingsolie, met onderhoudsclassificatie SF, SG, SH, SJ, SL van het American Petroleum Institute (API) of hoger.

1. Plaats de machine op een horizontaal oppervlak.
2. Verwijder de peilstok (Figuur 10).



Figuur 10

G009499

1. Peilstok

3. Veeg de peilstok met een schone doek schoon.
4. Steek de peilstok volledig in de vulbuis.
5. Haal de peilstok eruit en controleer het oliepeil; zie Figuur 10.
 - Als het peil onder de **Bijvullen**-markering op de peilstok staat, giet dan langzaam een kleine hoeveelheid olie in de vulbuis, wacht 3 minuten en herhaal de stappen 3 tot en met 5 totdat het peil de **Vol**-markering op de peilstok bereikt.
 - Als de olie tot boven de **Vol**-markering op de peilstok reikt, laat dan de overtollige olie weglopen tot het peil de **Vol**-markering op de peilstok bereikt. Voor het aftappen van overtollige olie, zie De motorolie verversen (bladz. 16).

Belangrijk: Als het oliepeil in het carter te hoog of te laag is en u laat de motor toch draaien, kunt u deze beschadigen.

6. Plaats de peilstok goed in de vulbuis.

De maaihoogte instellen

⚠ WAARSCHUWING

Bij het instellen van de maaihoogte kunt u in aanraking komen met een bewegend mes. Dit kan ernstig letsel veroorzaken.

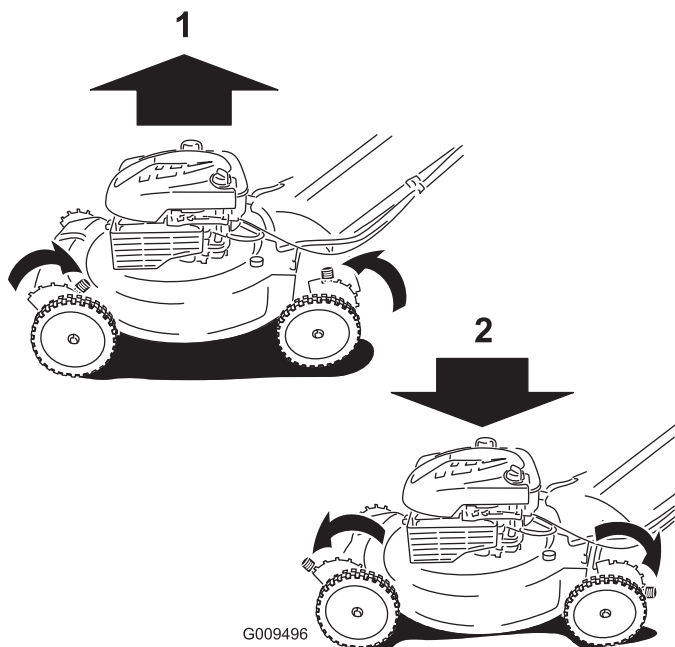
- Zet de motor af en wacht totdat alle bewegende onderdelen tot stilstand gekomen zijn.
- Plaats uw vingers niet onder de behuizing als u de maaihoogte instelt.

⚠ VOORZICHTIG

Als de motor heeft gelopen, kan de geluiddemper heet zijn en ernstige brandwonden veroorzaken. Blijf uit de buurt van een hete geluiddemper.

Zet de maaihoogte op de gewenste stand. Stel de voorwielen in op dezelfde hoogte als de achterwielen (Figuur 11).

Opmerking: Om de maaimachine omhoog te brengen, moet u de voorste maaihoogtehendels naar achteren bewegen en de achterste maaihoogtehendels naar voren bewegen. Om de maaimachine omlaag te brengen, moet u de voorste maaihoogtehendels naar voren bewegen en de achterste maaihoogtehendels naar achteren bewegen.



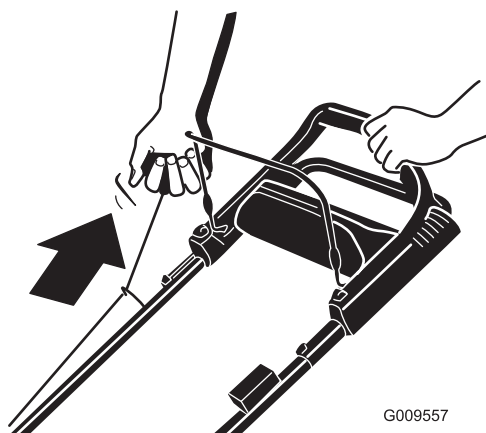
Figuur 11

1. Maaimachine omhoog brengen
2. Maaimachine omlaag brengen

Opmerking: De maaihoogte-instellingen zijn 25 mm, 35 mm, 44 mm, 54 mm, 64 mm, 73 mm, 83 mm, 92 mm en 102 mm.

De motor starten

Trek de starthandgreep langzaam uit totdat u weerstand voelt, daarna krachtig uittrekken (Figuur 12). Laat het koord langzaam terugkeren.

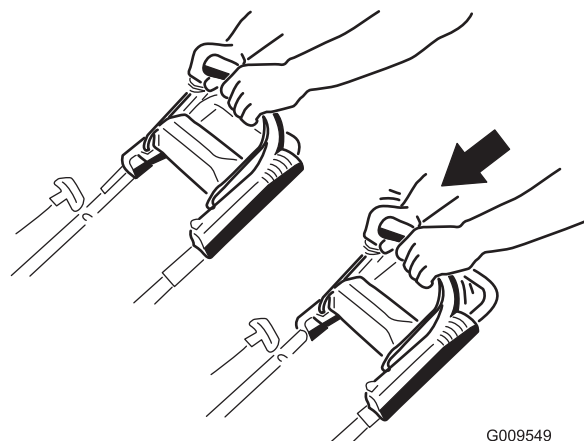


Figuur 12

Opmerking: Als de motor na enkele pogingen niet wil starten, moet u contact opnemen met een erkende Service Dealer.

De zelfaandrijving gebruiken

Om de zelfaandrijving te activeren, loopt u eenvoudig vooruit met uw handen op het bovenste deel van de handgreep en uw ellebogen naast uw lichaam; de maaimachine richt zich automatisch naar uw loopsnelheid (Figuur 13).

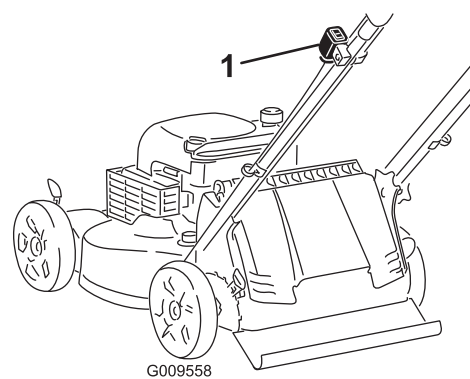


Figuur 13

Opmerking: Als de maaimachine niet vrij naar achteren rolt na het inschakelen van de zelfaandrijving, sta dan stil, houd uw handen bij de handgreep en laat de maaimachine een paar centimeter naar voren rollen om het aandrijfsysteem uit te schakelen. U kunt ook de metalen hendel aanraken die zich net onder de bovenste handgreep bevindt en de maaimachine een paar centimeter naar voren duwen. Als de maaimachine nog steeds niet naar achteren wil rollen, moet u contact opnemen met een erkende Service Dealer.

Motor afzetten

Houd de contactschakelaar in the stopstand totdat de motor stopt (Figuur 14).



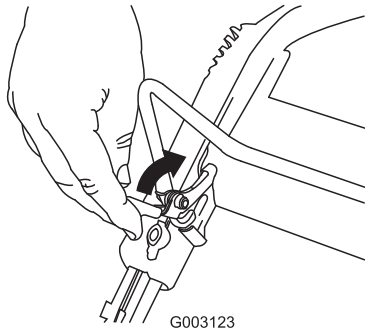
Figuur 14

1. Contactschakelaar

Het maimes inschakelen

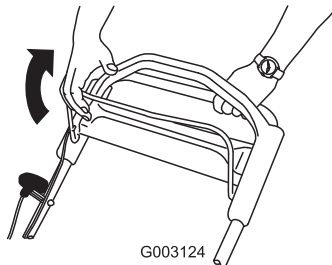
Als u de motor start, mag het mes niet draaien. U moet het maimes in werking stellen.

1. Trek de vergrendeling van de bedieningsstang naar achteren (Figuur 15).



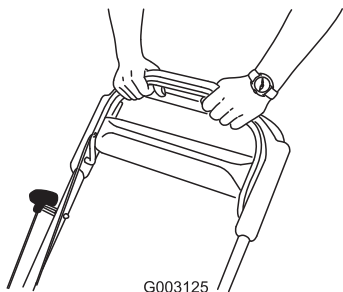
Figuur 15

2. Trek de bedieningsstang van het maimes naar de handgreep toe (Figuur 16).



Figuur 16

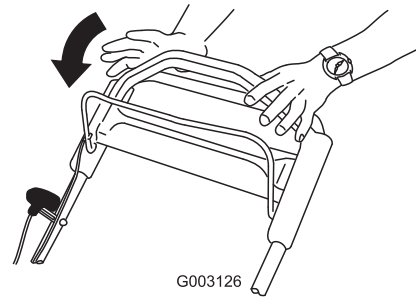
3. Houd de bedieningsstang van het maimes tegen de handgreep (Figuur 17).



Figuur 17

Het maimes uitschakelen

Laat de bedieningsstang van het maimes los (Figuur 18).



Figuur 18

Belangrijk: Als u de bedieningsstang loslaat, moet het mes binnen 3 seconden tot stilstand komen. Als dit niet gebeurt, mag u de machine niet verder gebruiken en moet u contact opnemen met een erkende servicedealer.

Werking van de mesremkoppeling controleren

Controleer de bedieningsstang van het maimes voor elk gebruik om ervoor te zorgen dat de mesremkoppeling naar behoren werkt.

De graszak gebruiken

Onderhoudsinterval: Bij elk gebruik of dagelijks

U kunt met behulp van de grasvanger een aanvullende test uitvoeren om de mesremkoppeling te controleren.

1. Plaats de lege grasvanger op de maaimachine.
2. Start de motor.
3. Schakel het maimes in.

Opmerking: De grasvanger moet gaan opzwellen. Dit betekent dat het mes is ingeschakeld en draait.

4. Laat de bedieningsstang van het maimes los.

Opmerking: Als de grasvanger niet onmiddellijk kleiner wordt, betekent dit dat het mes nog steeds draait. Dit kan erop duiden dat de mesremkoppeling gebreken heeft. Als u hierop geen acht slaat, kan dit ertoe leiden dat u de machine niet veilig kunt gebruiken. Neem contact op met een erkende servicedealer om uw maaimachine te laten inspecteren en repareren.

5. Zet de motor af en wacht totdat alle bewegende onderdelen tot stilstand gekomen zijn.

De graszak niet gebruiken

1. Plaats de maaimachine op een verhard oppervlak en uit de wind.
2. Stel alle 4 wielen in op de maaistand van 83 mm.

3. Neem een stuk krant en maak hiervan een prop die onder het maaidek past (met een doorsnede van ongeveer 76 mm).
4. Plaats de prop krantenpapier 13 cm vóór de maaimachine.
5. Start de motor.
6. Schakel het maaimes in.
7. Laat de bedieningsstang van het maaimes los.
8. Duw de maaimachine onmiddellijk over de prop krantenpapier.
9. Zet de motor af en wacht totdat alle bewegende onderdelen tot stilstand gekomen zijn.
10. Ga naar de voorzijde van de maaimachine en controleer de prop krantenpapier.

Opmerking: Als de prop niet onder de maaier is gegaan, herhaalt u stappen 4 tot en met 10.

11. Als de prop uit elkaar gevallen of versnipperd is, duidt dit erop dat het mes niet op de juiste manier is gestopt. Dit betekent dat u de machine niet veilig kunt gebruiken. Neem contact op met een erkende Service Dealer.

Maaisel recyclen

Als de machine wordt geleverd, is deze gereed om maaisel en bladafval naar het gazon te recyclen.

Voordat u kunt recyclen moet u als de grasvanger aan de maaimachine is bevestigd en de grasvangerhendel zich in de grasvangstand bevindt, eerst de hendel in de recycle-stand zetten (raadpleeg De grasvangerhendel bedienen (bladz. 13)). Als het zijuitwerpkanaal op de machine is bevestigd, moet u dit verwijderen (zie Het zijuitwerpkanaal verwijderen (bladz. 14)) voordat u het maaisel gaat recyclen.

Het maaisel opvangen

Gebruik de grasvanger als u maaisel en bladafval wilt verzamelen.

⚠ WAARSCHUWING

Een versleten graszak kan kleine steentjes en andere voorwerpen uitwerpen, waardoor de gebruiker of omstanders ernstig lichamelijk of dodelijk letsel kunnen oplopen.

Controleer de graszak regelmatig. Plaats een nieuwe Toro-grasvanger als de oude is beschadigd.

Als het zijuitwerpkanaal op de machine is bevestigd, moet u dit verwijderen (zie Het zijuitwerpkanaal verwijderen (bladz. 14)) voordat u het maaisel gaat opvangen. Als de grasvangerhendel zich in de recycle-stand bevindt, zet deze dan in de grasvangstand (zie De grasvangerhendel bedienen (bladz. 13)).

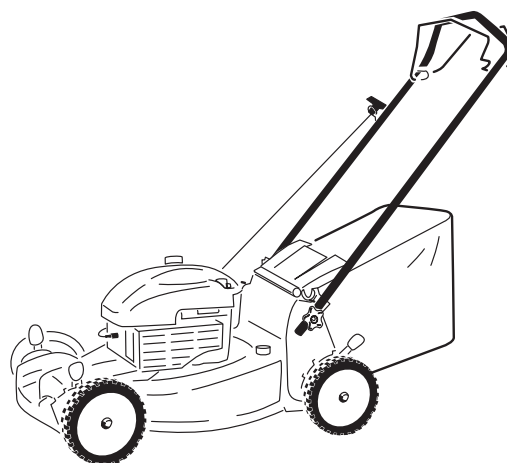
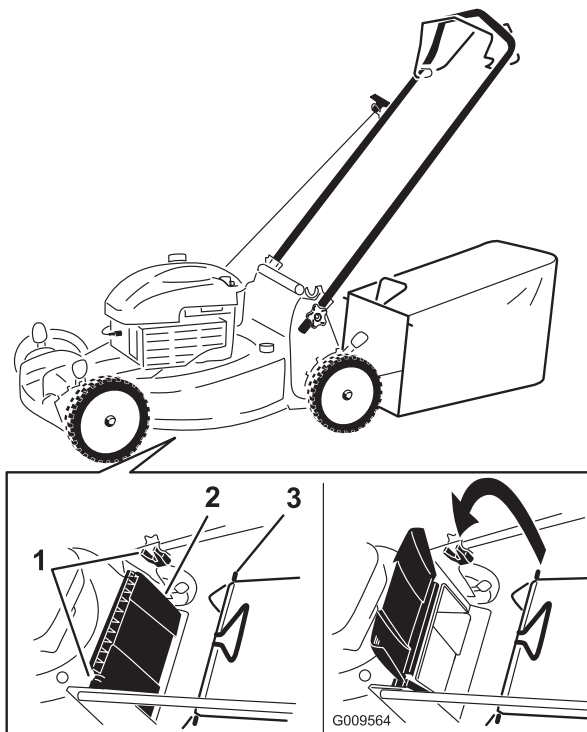
⚠ WAARSCHUWING

Het maaimes is scherp, contact met het maaimes kan ernstig lichamelijk letsel veroorzaken.

Zet de motor af en wacht totdat alle bewegende onderdelen tot stilstand zijn gekomen voordat u de bestuurderspositie verlaat.

De grasvanger plaatsen

1. Zet de afvoergeleider aan de achterzijde omhoog en houd hem in deze stand (Figuur 19).



Figuur 19

1. Inkepingen
 2. Afvoergeleider achterzijde
 3. Pen van graszak (2)
-
2. Plaats de graszak en zorg ervoor dat de pennen van de zak in de inkepingen op de handgreep rusten (Figuur 19).

3. Breng de afvoergeleider aan de achterzijde omlaag.

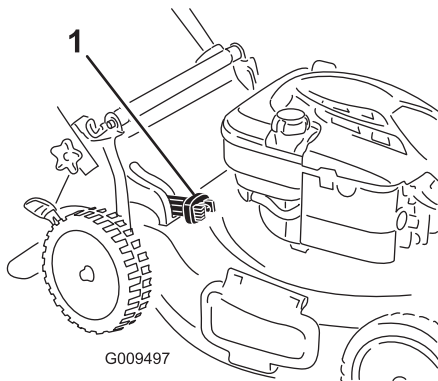
De graszak verwijderen

Om de zak te verwijderen, voert u bovenstaande stappen in omgekeerde volgorde uit.

De grasvangerhendel bedienen

Met de grasvangfunctie kunt u kiezen tussen opvangen van het maaisel of recyclen van gras en bladeren terwijl de graszak aan de maaimachine is bevestigd.

- Als u het gras en de bladeren wilt opvangen, druk dan op de knop van de grasvangerhendel en beweeg deze naar voren tot de knop op de hendel naar boven klikt (Figuur 20).



Figuur 20

1. Grasvangerhendel (in de grasvangstand)

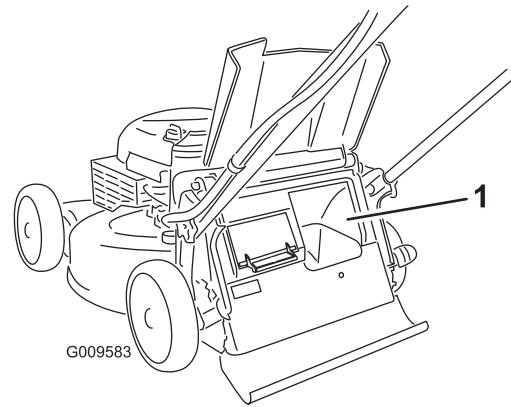
- Als u het gras en de bladeren wilt recyclen, druk dan op de knop van de grasvangerhendel en beweeg deze naar achteren tot de knop op de hendel naar boven klikt.

Belangrijk: Verwijder voor een juiste werking eventueel maaisel en vuil van de grasvangerklep en de omgeving ervan (Figuur 21) voordat u de hendel in een andere stand zet.

⚠ WAARSCHUWING

Het maaimes is scherp, contact met het maaimes kan ernstig lichamelijk letsel veroorzaken. Door een open uitvoeropening kunnen steentjes en andere voorwerpen uitwerpen, waardoor de gebruiker of omstanders ernstig lichamelijk of dodelijk letsel kunnen oplopen.

Zet de motor af en wacht totdat alle bewegende delen tot stilstand zijn gekomen voordat u de klep van de grasvanger en de omgeving reinigt.



Figuur 21

1. Hier reinigen

Het maaisel zijwaarts afvoeren

Gebruik de zijafvoer als u zeer hoog gras maait.

Als de grasvanger aan de maaimachine is bevestigd en de grasvangerhendel zich in de grasvangstand bevindt, eerst de hendel in de recycle-stand zetten (raadpleeg De grasvangerhendel bedienen (bladz. 13)).

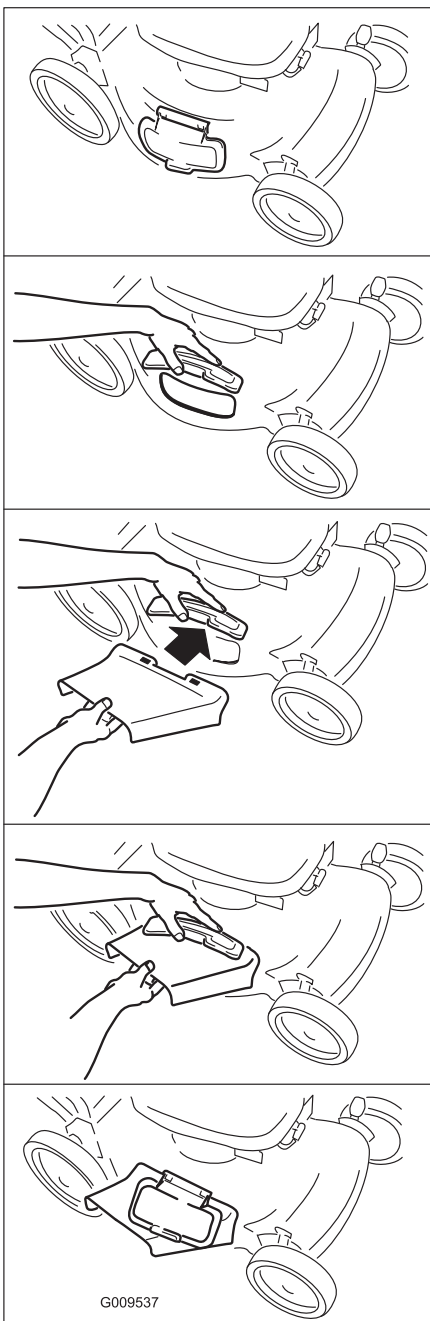
⚠ WAARSCHUWING

Het maaimes is scherp, contact met het maaimes kan ernstig lichamelijk letsel veroorzaken.

Zet de motor af en wacht totdat alle bewegende onderdelen tot stilstand zijn gekomen voordat u de bestuurderspositie verlaat.

Zijuitwerpkanal monteren

Breng de afsluiter omhoog en plaats het zijuitwerpkanal (Figuur 22).



Figuur 22

Het zijuitwerpkanal verwijderen

Om het zijuitwerpkanal te verwijderen, brengt u de afsluiter omhoog, verwijdert u het zijuitwerpkanal en brengt u de afsluiter weer omlaag.

Tips voor bediening en gebruik

Algemene maaitips

- Verwijder stokken, stenen, draden, takken en ander vuil die het mes kan raken, uit het werkgebied.
- Zorg ervoor dat het mes geen vaste voorwerpen raakt. Maai nooit met opzet over voorwerpen.

- Als de maaimachine toch een voorwerp raakt en begint te trillen, moet u meteen de motor afzetten, de bougiekabel losmaken en de maaimachine op beschadiging controleren.
- De beste resultaten krijgt u door een nieuw mes te monteren voordat het maaiseizoen begint.
- Vervang indien nodig het maaimes door een Toro-mes.

Gras maaien

- U moet telkens niet meer dan ongeveer eenderde van de grassprietten afmaaien. Maai niet met een stand lager dan 54 mm tenzij de grasmat dun is, of als het laat in het najaar is wanneer het gras langzamer begint te groeien. Zie De maaihoogte instellen (bladz. 9).
- Als u gras wilt maaien dat langer dan 15 cm is, moet u maaien op de maximale maaihoogte en met een langzamere loopsnelheid. Vervolgens gaat u maaien op een lagere maaihoogte om het gazon een zo fraai mogelijk uiterlijk te geven. Als het gras te hoog is, kan de machine verstopt raken en de motor afslaan.
- Maai uitsluitend droog gras of droge bladeren. Nat gras en natte bladeren gaan aankoeken, waardoor de maaimachine verstopt kan raken of de motor kan afslaan.

⚠ WAARSCHUWING

Als u nat gras en natte bladeren maait, kunt u uitglijden, in aanraking komen met het mes en ernstig letsel oplopen. Maai uitsluitend in droge omstandigheden.

- Wees bedacht op het risico van brand in zeer droge omstandigheden; neem alle plaatselijke brandwaarschuwingen in acht en houd de machine vrij van droog gras en bladafval.
- Maai steeds in wisselende richtingen. Hierdoor wordt het maaisel beter over het gazon verstrooid, zodat het gazon gelijkmatig wordt bemest.
- Als u met het uiterlijk van het voltooide gazon niet tevreden bent, probeer dan een of meer van de volgende stappen:
 - Vervang het maaimes of laat het slijpen.
 - Loop langzamer tijdens het maaien.
 - Stel de maaimachine in op een hogere maaihoogte.
 - Maai het gras vaker.
 - Laat de maaibanen overlappen in plaats van steeds een volledig nieuwe baan te maaien.
 - Stel de maaihoogte bij de voorwielen één stand lager in dan bij de achterwielen. Bijvoorbeeld: zet de maaihoogte van de voorwielen op 54 mm en die van de achterwielen op 64 mm.

Bladeren fijnmaken

- Na het maaien moet altijd 50 % van het gazon zichtbaar blijven door de bladerlaag. Dit kan een of meerdere rondgangen over de bladeren vereisen.
- Als er een laag bladeren van meer dan 13 cm op het gazon ligt, moet u de voorwielen een of twee uitsparingen hoger zetten dan de achterwielen.
- Als de maaimachine de bladeren niet fijn genoeg maakt, is het beter om wat langzamer te maaien.

Onderhoud

Opmerking: Bepaal vanuit de normale bestuurderspositie de linker- en rechterzijde van de machine.

Aanbevolen onderhoudsschema

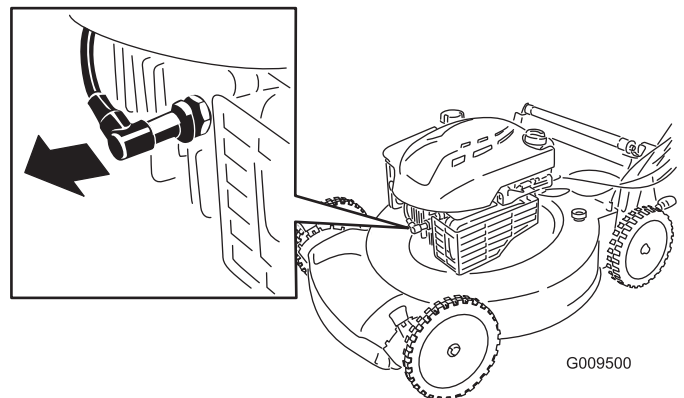
Onderhoudsinterval	Onderhoudsprocedure
Na de eerste 5 bedrijfsuren	<ul style="list-style-type: none">• Ververs de motorolie.
Bij elk gebruik of dagelijks	<ul style="list-style-type: none">• Controleer het motoroliepeil.• Controleer de werking van de mesremkoppeling.• Verwijder maaisel en vuil van de onderkant van de machinebehuizing.
Om de 25 bedrijfsuren	<ul style="list-style-type: none">• Het luchtfilter vervangen (vaker als de machine wordt gebruikt in stoffige of vuile omstandigheden).• Reinig het scherm van de mesremkoppeling.
Vóór de stalling	<ul style="list-style-type: none">• Laat de benzine uit de brandstoftank lopen voordat u vereiste reparaties uitvoert of de machine stalt.
Jaarlijks	<ul style="list-style-type: none">• Ververs de motorolie.• Vervang het maaimes of laat het slijpen (vaker als de snijrand snel bot wordt).• Reinig het luchtkoelsysteem; doe dit vaker als de machine wordt gebruikt in stoffige of vuile omstandigheden. Zie de gebruikershandleiding van de motor.• Zie de Gebruikershandleiding van de motor voor eventuele verdere onderhoudsprocedures.

Belangrijk: Zie de gebruikershandleiding van de motor voor verdere onderhoudsprocedures.

Opmerking: Vervangingsonderdelen zijn verkrijgbaar via een erkende servicedealer (ga naar www.Toro.com om de dichtstbijzijnde dealer te vinden) of via www.shoptoro.com.

Vorbereidingen voor onderhoudswerkzaamheden

1. Zet de motor af en wacht totdat alle bewegende onderdelen tot stilstand gekomen zijn.
2. Trek de bougiekabel los van de bougie (Figuur 23) voordat u onderhoudswerkzaamheden uitvoert.



Figuur 23

3. Nadat u de onderhoudswerkzaamheden hebt uitgevoerd, moet u de kabel weer aansluiten op de bougie.

Belangrijk: Voordat u de machine kantelt om olie te verversen of het mes te vervangen, moet u de machine gebruiken totdat de benzinetank

leeg is. Als u de machine moet kantelen voordat de benzinetank leeg is, dient u de benzine met een handpomp uit de tank te pompen. Kantel de maaimachine altijd op de zijkant, met de peilstok omlaag.

⚠ WAARSCHUWING

Als u de machine kantelt, kan er benzine uit de tank lekken. Benzine is ontvlambaar en explosief en kan brandwonden veroorzaken.

Laat de motor drooglopen of pomp de benzine met een handpomp uit de tank. Gebruik nooit een hevel.

2. Controleer of de brandstoftank weinig of geen brandstof bevat zodat de brandstof niet lekt als u de maaier op de zijkant kantelt.
3. Voordat u de olie ververs, moet u de motor enkele minuten laten lopen zodat de olie warm wordt.

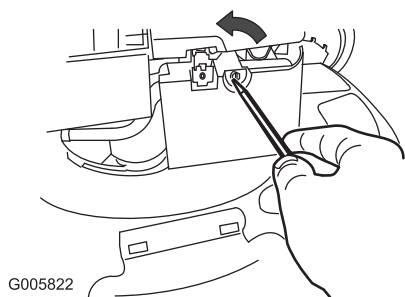
Opmerking: Warme olie is vloeibaarder en voert vervuilingen beter mee.

4. Verwijder de bougiekabel van de bougie; raadpleeg Voorbereidingen voor onderhoudswerkzaamheden (bladz. 15).
5. Plaats een opvangbak voor de olie naast de machine, aan de kant van de vulbuis.
6. Neem de peilstok uit de vulbuis (Figuur 26).

Het luchtfilter vervangen

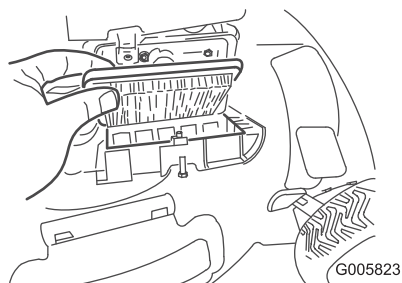
Onderhoudsinterval: Om de 25 bedrijfsuren

1. Gebruik een schroevendraaier om het luchtfilterdeksel te openen (Figuur 24).



Figuur 24

2. Vervang het luchtfilter (Figuur 25).



Figuur 25

3. Plaats het deksel terug.

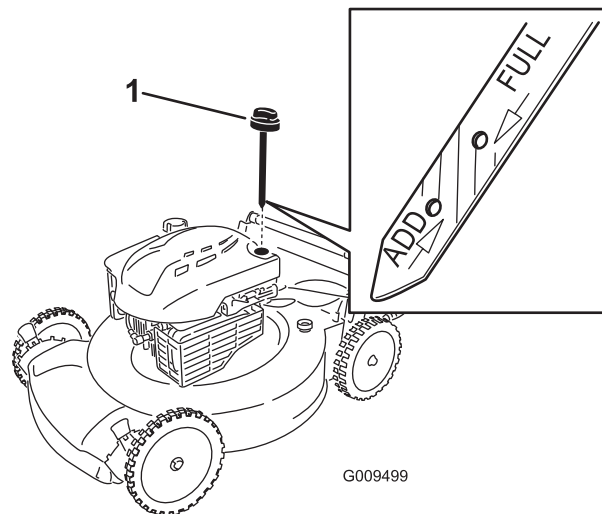
De motorolie verversen

Onderhoudsinterval: Na de eerste 5 bedrijfsuren

Jaarlijks

Vraag uw erkende Toro-dealer om Toro Premium motorolie.

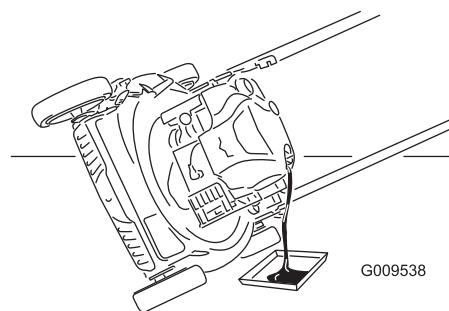
1. Plaats de machine op een horizontaal oppervlak.



Figuur 26

1. Peilstok

7. Kantel de machine op zijn kant met de vulbuis omlaag om de gebruikte olie langs de vulbuis te laten uitlopen in een bak (Figuur 27).



Figuur 27

8. Nadat de gebruikte olie is afgetapt, zet u de maaimachine terug in de werkstand.
9. Vul het carter voor ongeveer driekwart met olie.
10. Wacht 3 minuten tot de olie gezakt is.
11. Veeg de peilstok met een schone doek schoon.

12. Steek de peilstok volledig in de vulbuis.
13. Haal de peilstok eruit en controleer het oliepeil.
 - Als het peil onder de **Bijvullen**-markering op de peilstok staat, giet dan langzaam een kleine hoeveelheid olie in de vulbuis, wacht 3 minuten en herhaal de stappen 11 tot en met 13 totdat het peil de **Vol**-markering op de peilstok bereikt.
 - Als de olie tot boven de **Vol**-markering op de peilstok reikt, laat dan de overtollige olie weglopen tot het peil de **Vol**-markering op de peilstok bereikt.

Belangrijk: Als het oliepeil in het carter te hoog of te laag is en u laat de motor toch draaien, kunt u deze beschadigen.

14. Plaats de peilstok goed in de vulbuis.
15. Geef de oude olie af bij een erkend inzamelpunt.

Het maimes vervangen

Onderhoudsinterval: Jaarlijks

Belangrijk: *U hebt een momentsleutel nodig om het mes op correcte wijze te monteren. Als u geen momentsleutel hebt of niet goed weet hoe u de montage moet uitvoeren, kunt u contact opnemen met een erkende servicedealer.*

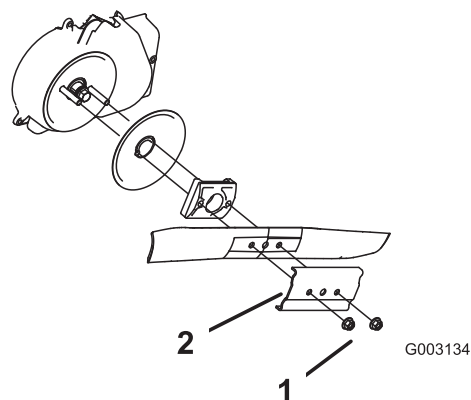
Controleer het mes wanneer de benzinetank leeg is. Een beschadigd of gescheurd mes moet direct worden vervangen. Als de snijrand bot is of bramen vertoont, moet u het mes laten slijpen en balanceren of het mes vervangen.

⚠ WAARSCHUWING

Het maimes is scherp, contact met het maimes kan ernstig lichamelijk letsel veroorzaken.

Gebruik handschoenen als u het mes monteert.

1. Zie Voorbereidingen voor onderhoudswerkzaamheden (bladz. 15).
2. Kantel de maaimachine op de zijkant, met de peilstok omlaag.
3. Verwijder de 2 mesmoeren en de versteviger (Figuur 28).



Figuur 28

1. Mesmoeren
2. Versteviger

4. Verwijder het mes (Figuur 28).
5. Plaats het nieuwe mes (Figuur 28).
6. Monteer de versteviger met de 2 mesmoeren die u eerder hebt verwijderd in stap 3.

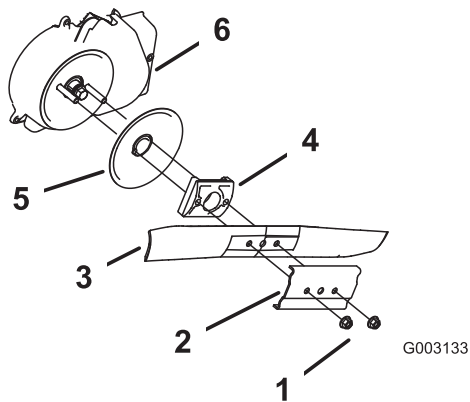
Opmerking: Draai de mesmoeren vast met een torsie van 20 tot 37 Nm.

Scherf van de mesremkoppeling reinigen

Onderhoudsinterval: Om de 25 bedrijfsuren

Reinig het scherm van de mesremkoppeling jaarlijks om te voorkomen dat het mes afslaat terwijl u aan het maaien bent.

1. Zie Voorbereidingen voor onderhoudswerkzaamheden (bladz. 15).
2. Kantel de maaimachine op de zijkant, met de peilstok omlaag.
3. Verwijder de 2 mesmoeren en de versteviger (Figuur 29).



Figuur 29

- | | |
|----------------|-------------------------------|
| 1. Mesmoeren | 4. Mesaandrijving |
| 2. Versteviger | 5. Antiscalpeerschijf |
| 3. Mes | 6. Scherm van mesremkoppeling |

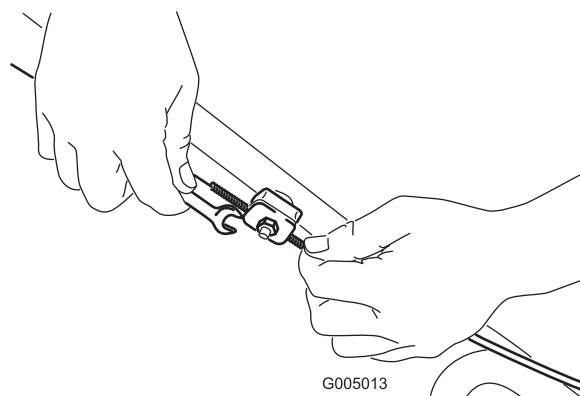
4. Verwijder het mes (Figuur 29).
5. Verwijder de mesaandrijving en de antiscalpeerschijf (Figuur 29).
6. Verwijder het scherm van de mesremkoppeling (Figuur 29).
7. Borstel of blaas het vuil uit de binnenzijde van het scherm en van alle onderdelen.
8. Plaats het scherm van de mesremkoppeling terug.
9. Plaats de mesaandrijving en de antiscalpeerschijf terug.
10. Plaats het mes en de versteviger terug met de 2 mesmoeren die u eerder verwijderd hebt (Figuur 29).

Opmerking: Draai de mesmoeren vast met een torsie van 20 tot 37 Nm.

Kabel van elfaandrijving afstellen

Wanneer u een nieuwe kabel voor de zelfaandrijving monteert of de zelfaandrijving ontsteld is, moet u de kabel afstellen.

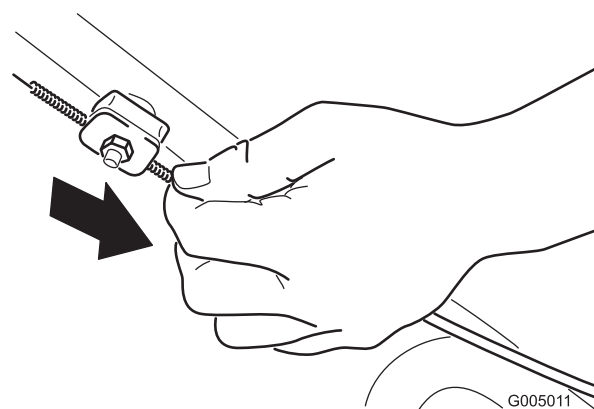
1. Draai de moer van de kabelbeugel los (Figuur 30).



Figuur 30

Deze afbeelding is voor de duidelijkheid vereenvoudigd.

2. Trek de kabelmantel omlaag (naar de maaimachine toe) om alle speling uit de kabel te halen (Figuur 31).



Figuur 31

3. Draai de moer op de kabelbeugel vast.

De onderkant van de machinebehuizing reinigen

Onderhoudsinterval: Bij elk gebruik of dagelijks

⚠ WAARSCHUWING

Er kan materiaal losraken dat zit vastgekoekt aan de onderkant van de maaimachine.

- Draag oogbescherming.
- Blijf in de bedieningspositie (achter de handgreep) staan als de motor loopt.
- Houd omstanders uit de buurt.

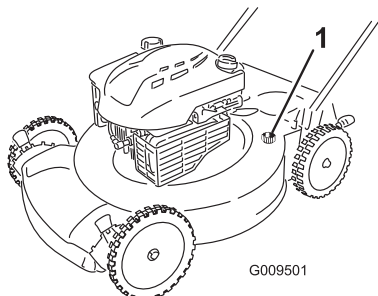
Om de beste resultaten te verkrijgen, dient u onder de machinebehuizing te reinigen zodra u klaar bent met maaien.

1. Zet de machine in de laagste maaistand; zie De maaihogte instellen (bladz. 9).
2. Plaats de maaimachine op een vlakke en verharde ondergrond.

3. Reinig het gebied onder de afvoergeleider aan de achterzijde waar het maaisel vanuit de behuizing naar de graszak gaat.

Opmerking: Reinig het gebied met de hendel helemaal naar voren en helemaal naar achteren.

4. Bevestig een tuinslang die aangesloten is op een kraan aan de wasaansluiting op de machinebehuizing (Figuur 32).



Figuur 32

1. Wasaansluiting

5. Draai de kraan open.
6. Start de motor en laat deze lopen totdat er geen maaisel meer onder de machinebehuizing vandaan komt.
7. Zet de motor af.
8. Draai de kraan dicht en maak de tuinslang los van de maaimachine.
9. Start de motor en laat deze een paar minuten lopen om de maaikast te drogen zodat deze niet gaat roesten.
10. Laat de motor afkoelen voordat u de machine in een afgesloten ruimte opslaat.

Stalling

Stal de maaimachine op een koele, schone, droge plaats.

Vorbereidingen voor stalling

⚠ WAARSCHUWING

Benzinedampen kunnen tot ontploffing komen.

- Bewaar benzine niet langer dan 30 dagen.
 - Stal de machine nooit in een afgesloten ruimte in de nabijheid van open vuur.
 - Laat de motor afkoelen voordat u de machine stalt.
1. Als u de tank voor de laatste keer van het jaar vult, moet u een stabilizer toevoegen aan de benzine volgens de voorschriften van de fabrikant.
 2. U moet ongebruikte brandstof op de juiste wijze afvoeren. Voer deze brandstof af volgens de plaatselijk geldende voorschriften of gebruik deze voor uw auto.
Opmerking: Oude brandstof in de tank is de belangrijkste oorzaak voor startproblemen. Bewaar benzine zonder stabilizer niet langer dan 30 dagen en benzine waaraan stabilizer is toegevoegd, niet langer dan 90 dagen.
 3. Laat de motor lopen totdat hij afslaat door gebrek aan benzine.
 4. Start de motor opnieuw.
 5. Laat de motor lopen totdat deze afslaat. Als de motor niet meer wil starten, is de brandstof voldoende verbruikt.
 6. Verwijder de bougiekabel van de bougie.
 7. Verwijder de bougie, giet 30 ml olie in de bougie-opening en trek verschillende keren langzaam aan het startkoord om de olie over de cilinderwand te verspreiden teneinde corrosie in de stallingsperiode te voorkomen.
 8. Monteer de bougie zonder deze vast te draaien.
 9. Draai alle moeren, bouten en schroeven goed aan.

De handgreep inklappen

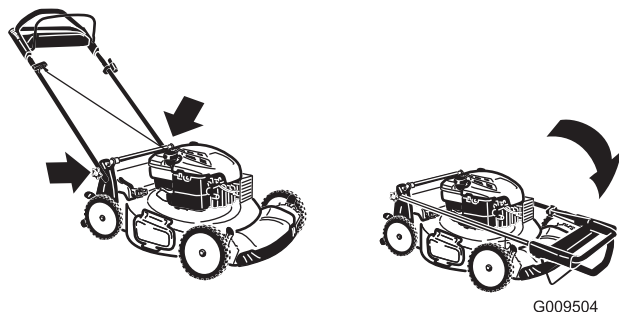
⚠ WAARSCHUWING

Als de handgreep verkeerd wordt in- en uitgeklapt, kunnen de kabels schade oplopen, waardoor de machine niet veilig kan worden gebruikt.

- Zorg ervoor dat u de kabels niet beschadigt als u de handgreep in- of uitklapt.
- Indien een kabel is beschadigd, moet u contact opnemen met een erkende Service Dealer.

1. Draai de knoppen van de handgreep los totdat u het bovenste deel van de handgreep vrij kunt bewegen.
2. Klap het bovenste deel van de handgreep naar achteren zoals word getoond in Figuur 33.

Belangrijk: Leid de kabels naar de buitenzijde van de handgreepknoppen terwijl u de handgreep beweegt.



Figuur 33

-
3. Om de handgreep uit te klappen, voert u bovenstaande stappen in omgekeerde volgorde uit.

De maaimachine uit de stalling halen

1. Controleer alle bevestigingen en draai deze vast.
2. Verwijder de bougie en draai de motor snel rond met behulp van het startkoord om overtollige olie uit de cilinder te verwijderen.
3. Plaats de bougie en draai hem met behulp van een momentsleutel vast met een torsie van 20 Nm.
4. Voer de vereiste onderhoudsprocedures uit; zie Onderhoud (bladz. 15).
5. Controleer het oliepeil in de motor; zie Het motoroliepeil controleren (bladz. 9).
6. Vul de brandstoftank met verse benzine; zie De brandstoftank vullen (bladz. 8).
7. Sluit de bougiekabel aan op de bougie.

Lijst met internationale dealers

Dealer:	Land:	Telefoonnummer:	Dealer:	Land:	Telefoonnummer:
Atlantis Su ve Sulama Sisstemleri Lt	Turkije	90 216 344 86 74	Maquiver S.A.	Colombia	57 1 236 4079
Balama Prima Engineering Equip.	Hongkong	852 2155 2163	Maruyama Mfg. Co. Inc.	Japan	81 3 3252 2285
B-Ray Corporation	Korea	82 32 551 2076	Agrolanc Kft	Hongarije	36 27 539 640
Casco Sales Company	Puerto Rico	787 788 8383	Mountfield a.s.	Tsjechië	420 255 704 220
Ceres S.A.	Costa Rica	506 239 1138	Munditol S.A.	Argentinië	54 11 4 821 9999
CSSC Turf Equipment (pvt) Ltd.	Sri Lanka	94 11 2746100	Oslinger Turf Equipment SA	Ecuador	593 4 239 6970
Cyril Johnston & Co.	Noord-Ierland	44 2890 813 121	Oy Hako Ground and Garden Ab	Finland	358 987 00733
Equiver	Mexico	52 55 539 95444	Parkland Products Ltd.	Nieuw-Zeeland	64 3 34 93760
Femco S.A.	Guatemala	502 442 3277	Prato Verde S.p.A.	Italië	39 049 9128 128
G.Y.K. Company Ltd.	Japan	81 726 325 861	Prochaska & Cie	Oostenrijk	43 1 278 5100
Geomechaniki of Athens	Griekenland	30 10 935 0054	RT Cohen 2004 Ltd.	Israël	972 986 17979
Guandong Golden Star	China	86 20 876 51338	Riversa	Spanje	34 9 52 83 7500
Hako Ground and Garden	Zweden	46 35 10 0000	Sc Svend Carlsen A/S	Denemarken	45 66 109 200
Hako Ground and Garden	Noorwegen	47 22 90 7760	Solvert S.A.S.	Frankrijk	33 1 30 81 77 00
Hayter Limited (U.K.)	Verenigd Koninkrijk	44 1279 723 444	Spypros Stavrinides Limited	Cyprus	357 22 434131
Hydroturf Int. Co Dubai	Verenigde Arabische Emiraten	97 14 347 9479	Surge Systems India Limited	India	91 1 292299901
Hydroturf Egypt LLC	Egypte	202 519 4308	T-Markt Logistics Ltd.	Hongarije	36 26 525 500
Irriamc	Portugal	351 21 238 8260	Toro Australia	Australië	61 3 9580 7355
Irrigation Products Int'l Pvt Ltd.	India	86 22 83960789	Toro Europe NV	België	32 14 562 960
Jean Heybroek BV.	Nederland	31 30 639 4611			

Privacyverklaring voor Europa

De informatie die Toro verzamelt

Toro Warranty Company (Toro) respecteert uw privacy. Om uw aanspraak op garantie te behandelen en contact met u op te nemen in het geval van een terugroepactie vragen wij om bepaalde persoonlijke informatie, hetzij direct of via uw lokale Toro-dealer.

Het Toro garantiesysteem wordt gehost op servers in de Verenigde Staten, waar de privacywet mogelijk niet dezelfde bescherming biedt als in uw land.

DOOR UW PERSOONLIJKE GEGEVENS MET ONS TE DELEN STEMT U IN MET DE VERWERKING VAN UW PERSOONSGEGEVENS ZOALS BESCHREVEN IN DEZE PRIVACYVERKLARING.

Hoe Toro informatie gebruikt

Toro kan uw persoonsgegevens gebruiken om uw aanspraak op garantie te behandelen, contact met u op te nemen in het geval van een terugroepactie, of voor een ander doeleinde waarvan we u op de hoogte brengen. Toro kan uw informatie delen met zijn afdelingen, verdelers of andere zakenpartners in verband met deze activiteiten. We verkopen uw persoonsgegevens niet aan andere bedrijven. We behouden ons het recht voor om persoonsgegevens te delen teneinde te voldoen aan geldende wetten en verzoeken van de aangewezen autoriteiten, opdat wij onze systemen naar behoren kunnen gebruiken of met het oog op onze eigen bescherming of die van andere gebruikers.

Behoud van uw persoonlijke informatie

Wij bewaren uw persoonsgegevens zo lang als nodig is voor de doeleinden waarvoor ze oorspronkelijk werden verzameld of voor andere legitieme doeleinden (zoals naleving van voorschriften), of zo lang als vereist is door de van toepassing zijnde wet.

Toro's engagement voor de bescherming van uw persoonlijke informatie

Wij nemen redelijke voorzorgen om uw persoonlijke informatie te beschermen. We proberen bovendien de nauwkeurigheid en geldigheid van persoonlijke gegevens te waarborgen.

Toegang tot en aanpassing van uw persoonlijke informatie

Als u toegang wenst tot uw persoonlijke gegevens of deze wilt aanpassen, gelieve dan een e-mail te sturen naar legal@toro.com.

Australische consumentenwet

Australische klanten kunnen voor informatie over de Australische consumentenwet (Australian Consumer Law) terecht bij de lokale Toro-verdeler of ze kunnen deze informatie in de doos vinden.



Toro Garantie en De Toro GTS-startgarantie

Voorwaarden en producten waarvoor de garantie geldt

De Toro Company en de hieraan gelieerde onderneming, Toro Warranty Company, bieden krachtens een overeenkomst tussen beide ondernemingen de oorspronkelijke koper¹ gezamenlijk de garantie dat ze het hieronder vermelde Toro-product zullen repareren als het materiaalgebreken of fabricagefouten vertoont of als de Toro GTS (Guaranteed to Start) motor niet start bij de eerste of de tweede poging, op voorwaarde dat het routineonderhoud dat vereist wordt door de *Gebruikershandleiding* uitgevoerd is.

De volgende perioden zijn van toepassing vanaf de datum van aankoop:

Producten	Garantieperiode
Motorgazonmaaiers	
• Gegoten maaidek	5 jaar thuisgebruik ² 90 dagen commercieel gebruik
• Motor	5 jaar GTS-garantie, thuisgebruik ³
• Accu	2 jaar
• Maaiers met stalen maaidek	2 jaar thuisgebruik ² 90 dagen commercieel gebruik
• Motor	2 jaar GTS-garantie, thuisgebruik ³
TimeMaster maaiers	3 jaar thuisgebruik ² 90 dagen commercieel gebruik
• Motor	3 jaar GTS-garantie, thuisgebruik ³
• Accu	2 jaar
Elektrische trimmers en bladblazers	2 jaar thuisgebruik ² Geen garantie voor commercieel gebruik
Sneeuwruimers	
• Enkel stadium	2 jaar thuisgebruik ² 45 dagen commercieel gebruik
• Motor	2 jaar GTS-garantie, thuisgebruik ³
• Twee stadia	3 jaar thuisgebruik ² 45 dagen commercieel gebruik
• Kanaal, kanaalgeleider en kap van rotorbehuizing	Levenslang (alleen oorspronkelijke eigenaar) ⁵
Elektrische sneeuwruimers	2 jaar thuisgebruik ² Geen garantie voor commercieel gebruik
Alle onderstaande zitmaaiers	
• Motor	Raadpleeg de garantie van de motorfabrikant ⁴
• Accu	2 jaar thuisgebruik ²
• Werktuigen	2 jaar thuisgebruik ²
DH gazon- en tuintractoren	2 jaar thuisgebruik ² 90 dagen commercieel gebruik
XLS gazon- en tuintractoren	3 jaar thuisgebruik ² 90 dagen commercieel gebruik
TimeCutter	3 jaar thuisgebruik ² 90 dagen commercieel gebruik
TITAN maaiers	3 jaar of 240 uur ⁵
• Frame	Levenslang (alleen oorspronkelijke eigenaar) ⁶
Z Master maaiers 2000-serie	4 jaar of 500 uur ⁵
• Frame	Levenslang (alleen oorspronkelijke eigenaar) ⁶

¹Oorspronkelijke koper: de persoon die het Toro-product oorspronkelijk heeft gekocht.

²Thuisgebruik betekent gebruik van het product op het terrein dat bij uw huis hoort. Gebruik op meerdere locaties wordt beschouwd als commercieel gebruik. Hierop is de garantie voor commercieel gebruik van toepassing.

³De Toro GTS-startgarantie is niet van toepassing op producten die commercieel gebruikt worden.

⁴Voor bepaalde motoren van Toro-producten geldt een garantie van de fabrikant van de motor.

⁵De optie die zich het eerst aandient, moet worden aangehouden.

⁶Levenslange garantie op het frame – Als het hoofdframe, bestaand uit de onderdelen die aan elkaar zijn gelast en die samen de structuur van de tractor vormen en waaraan andere onderdelen zoals de motor zijn bevestigd, scheuren of breuken vertoont na normaal gebruik, wordt het frame onder garantie gerepareerd of vervangen, naar de voorkeur van het bedrijf Toro, zonder kosten voor onderdelen of arbeid. Als het frame gebreken vertoont ten gevolge van misbruik of verkeerd gebruik of ten gevolge van corrosie, dan dekt de garantie dat niet.

Deze garantie dekt de kosten van onderdelen en arbeid, maar de transportkosten zijn voor rekening van de klant.

De garantie kan vervallen als de uurmeter is afgekoppeld of aangepast, of als er aanwijzingen zijn dat ermee geknoeid is.

Plichten van de eigenaar

U dient uw Toro-product te onderhouden zoals wordt beschreven in de *Gebruikershandleiding*. Dit routineonderhoud is voor uw rekening, ongeacht of dit wordt uitgevoerd door de dealer of uzelf.

Aanwijzingen voor aanvraag van garantieservice

Als u van mening bent dat een Toro-product materiaalgebreken of fabricagefouten vertoont, moet u deze procedure volgen:

1. Neem contact op met de verkoper om het product te laten nakijken of te repareren. Als u om wat voor reden dan ook geen contact kunt opnemen met de verkoper, neem dan contact op met een andere erkende Toro-dealer om onderhoud te laten plegen. Zie bijgevoegde lijst met dealers.
2. Breng het product met uw aankoopbewijs (kwitantie) naar de onderhoudsgarage. Als u om wat voor reden dan ook ontevreden bent over het onderzoek van de onderhoudsgarage of de verleende hulp, verzoeken wij u contact met ons op te nemen via:

Toro Customer Care Department, RLC Division
Toro Warranty Company
8111 Lyndale Avenue South
Bloomington, MN 55420-1196 VS
001-952-948-4707

Zaken en gevallen die niet onder de garantie vallen

Buiten deze expliciete garantie vallen:

- De kosten voor regelmatig onderhoud of onderdelen die aan slijtage onderhevig zijn, zoals messen, rotormessen (schoepen), schrapermessen, riemen, brandstof, smeermiddelen, olie verversen, bougies, luchtbanden, kabels/koppelingen of afstelling van remmen.
- Elk product of onderdeel dat is veranderd of verkeerd is gebruikt en moet worden vervangen of worden gerepareerd als gevolg van ongelukken of gebrekkig onderhoud.
- Reparatie die noodzakelijk is omdat oude brandstof (ouder dan één maand) is gebruikt of het brandstofsysteem niet goed is voorbereid op een periode van buitengebruikstelling van langer dan één maand.
- Alle reparatiewerkzaamheden die onder deze garantie vallen, moeten worden uitgevoerd door een erkende Toro-onderhoudsgarage die goedgekeurde Toro-vervangingsonderdelen gebruikt.

Algemene voorwaarden

De koper wordt beschermd door de nationale wetgeving van elk land. De rechten waarover de koper beschikt op grond van deze wetgeving, worden niet beperkt door deze garantie.