



Count on it.

Parts Catalog

**50cm Mulching/Side
Discharge/Rear Bagging Lawn
Mower**

Model No. 29643—Serial No. 313000001 and Up



Ordering Replacement Parts

To order replacement parts, please supply the part number, the quantity, and the description of each part desired.

Understanding Reference Numbers

Each identified part in an illustration has a reference number. The reference number for a part also appears in the parts list, along with other information about the part.

This catalog uses two special reference number formats, one to indicate parts in a service assembly and another to indicate the quantity of a given part in an illustration.

Service Assembly Reference Numbers

Parts in service assemblies have reference numbers in the form a:b. The a represents the reference number of the entire service assembly and the b represents a sequential number unique to each part within the service assembly.

For example, a wheel assembly might be identified by reference number 6, the tire by 6:1, the valve by 6:2, and the wheel by 6:3. When you order the assembly identified by reference number 6, you receive all parts identified by reference numbers 6:1, 6:2, and 6:3. However, you may also order any part individually. Reference numbers of this type appear in illustration and in parts lists.

Reference Numbers Indicating Quantity

In an illustration, if a reference number indicates more than one part, the reference number has the form nX y. The n represents the quantity of the part, the X is the multiplication symbol, and the y represents the reference number.

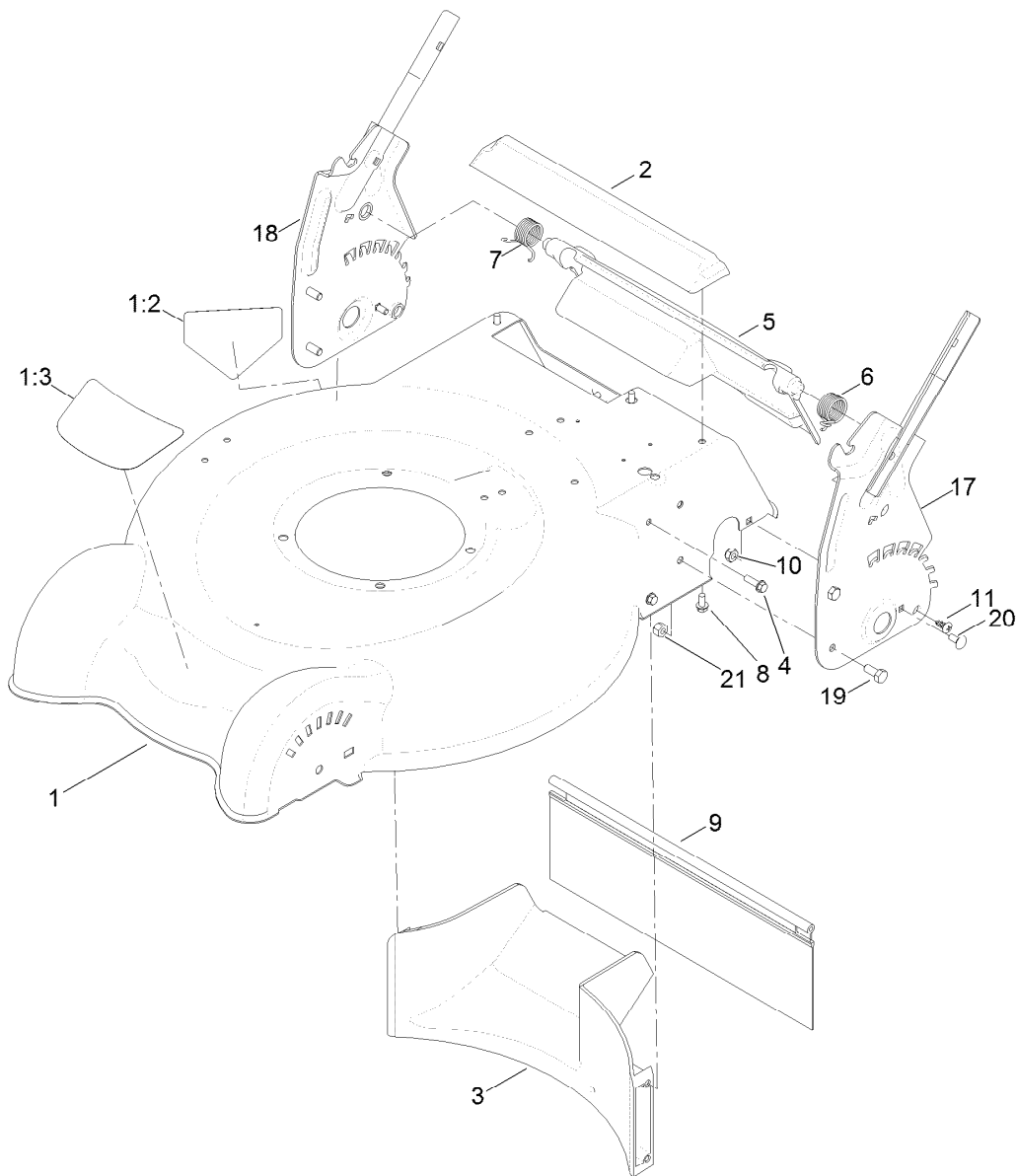
For example, in an illustration, the reference number 2X 37 means that two of the parts identified by reference number 37 are indicated.

List of Abbreviations

AR: as required	HLH: hex lag head	PTO: power-take-off
ASM: assembly	HOC: height-of-cut	RH: right hand
BBC: blade brake control	HSBH: hex socket button head	ROPS: roll-over protection system
BHTF: button head thread forming	HSFH: hex socket flat head	RRB: rear roller brush
CARR: carriage	HSH: hex socket head	SFH: slotted fillister head
CCW: counter clockwise	HWH: hex washer head	SHH: slotted hex head
CW: clockwise	HWHTF: hex washer head thread forming	SHWH: slotted hex washer head
DEG: degrees	HYD: hydraulic	SPH: slotted pan head
DPA: Dual Point Adjustment	LH: left hand	SQH: square head
ECM: electronic control module	LP: Liquefied Petroleum Gas	SRH: slotted round head
EXT: external	LPG: Liquefied Petroleum Gas	STD: standard
FH: flat head	NI: nylon insert	TAP: self tapping
GA: gauge	NPTF: national pipe thread fine	TTH: torx truss head
HD: heavy-duty	PFH: phillips flat head	
HF: hex flange	PPH: phillips pan head	
HH: hex head	PPHTF: phillips pan head thread forming	
HHF: hex head flange	PRH: phillips round head	
HHFTF: hex head flange thread forming	PTH: phillips truss head	
HJ: hex jam		

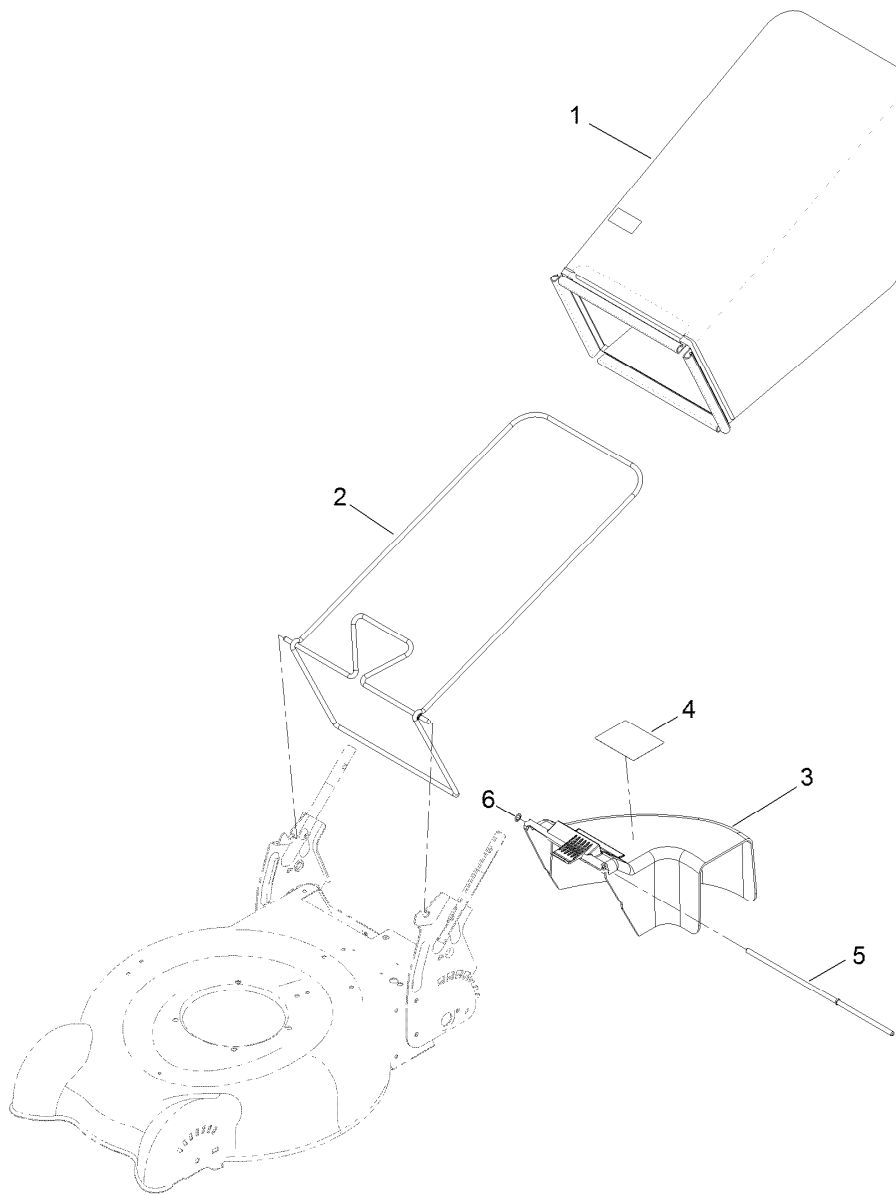
Contents

Rear Baffle and Height-of-Cut Assembly	4
Bag and Rear Deflector Assembly	5
Engine and Blade Assembly	6
Front Wheel and Height-of-Cut Assembly	7
Transmission and Rear Wheel Drive Assembly	8
Handle Assembly	9
Electrical Assembly	10
Attachments and Accessories	11



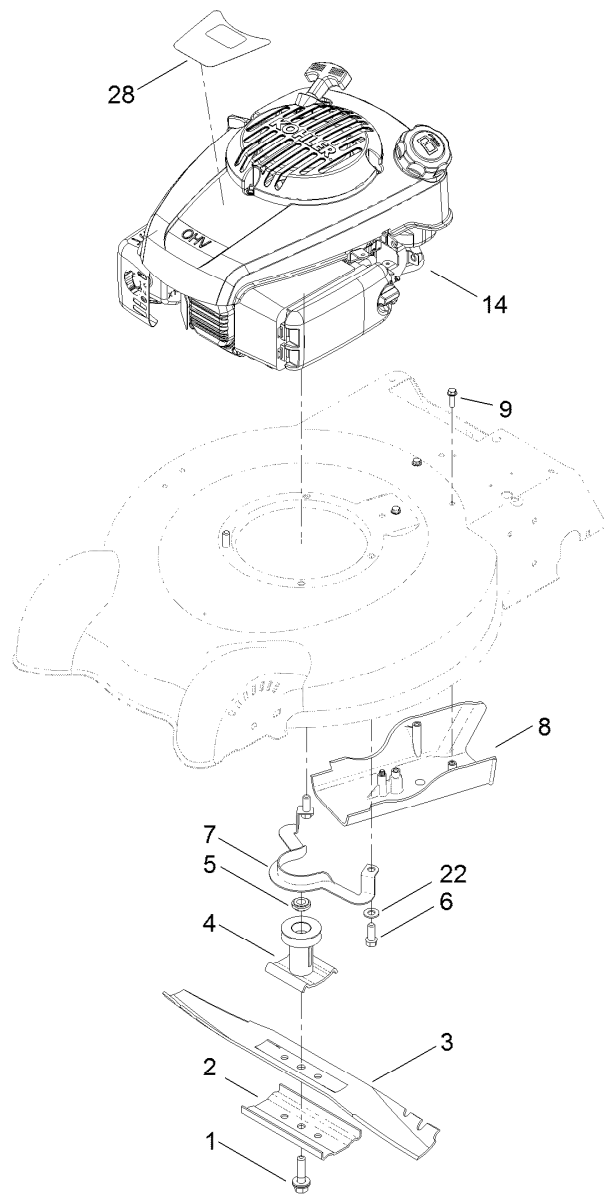
Rear Baffle and Height-of-Cut Assembly

<i>Ref.</i>	<i>Part Number</i>	<i>Qty.</i>	<i>Description</i>	<i>Ref.</i>	<i>Part Number</i>	<i>Qty.</i>	<i>Description</i>
1	117-5944	1	Housing ASM	8	46-8093	3	Screw-Plastite
1:2	112-8760	1	Decal-Danger	9	125-2517	1	Shield-Trailing
1:3	120-1936	1	Decal	10	3296-16	2	Nut-Lock, NI
2	112-8845	1	Chute-Rear	11	117-1092	2	Screw-PTH
3	112-8821	1	Baffle-Rear	17	119-3804-03	1	HOC-LH
4	46-8091	5	Screw-HWH	18	119-3805-03	1	HOC-RH
5	119-7029	1	Rear Deflector ASM	19	322-3	4	Screw-HH
6	119-7015	1	Spring-Torsion, LH	20	3229-11	2	Screw-CARR
7	119-7016	1	Spring-Torsion, RH	21	3296-29	4	Nut-Lock, NI



Bag and Rear Deflector Assembly

<i>Ref.</i>	<i>Part Number</i>	<i>Qty.</i>	<i>Description</i>
1	119-3759	1	Grass Bag ASM
2	120-7029-03	1	Frame-Bag
3	119-3762	1	Rear Deflector ASM
4	117-4143	1	Decal-Warning, Ce
5	117-4159	1	Rod
6	32151-72	1	Ring-Retaining

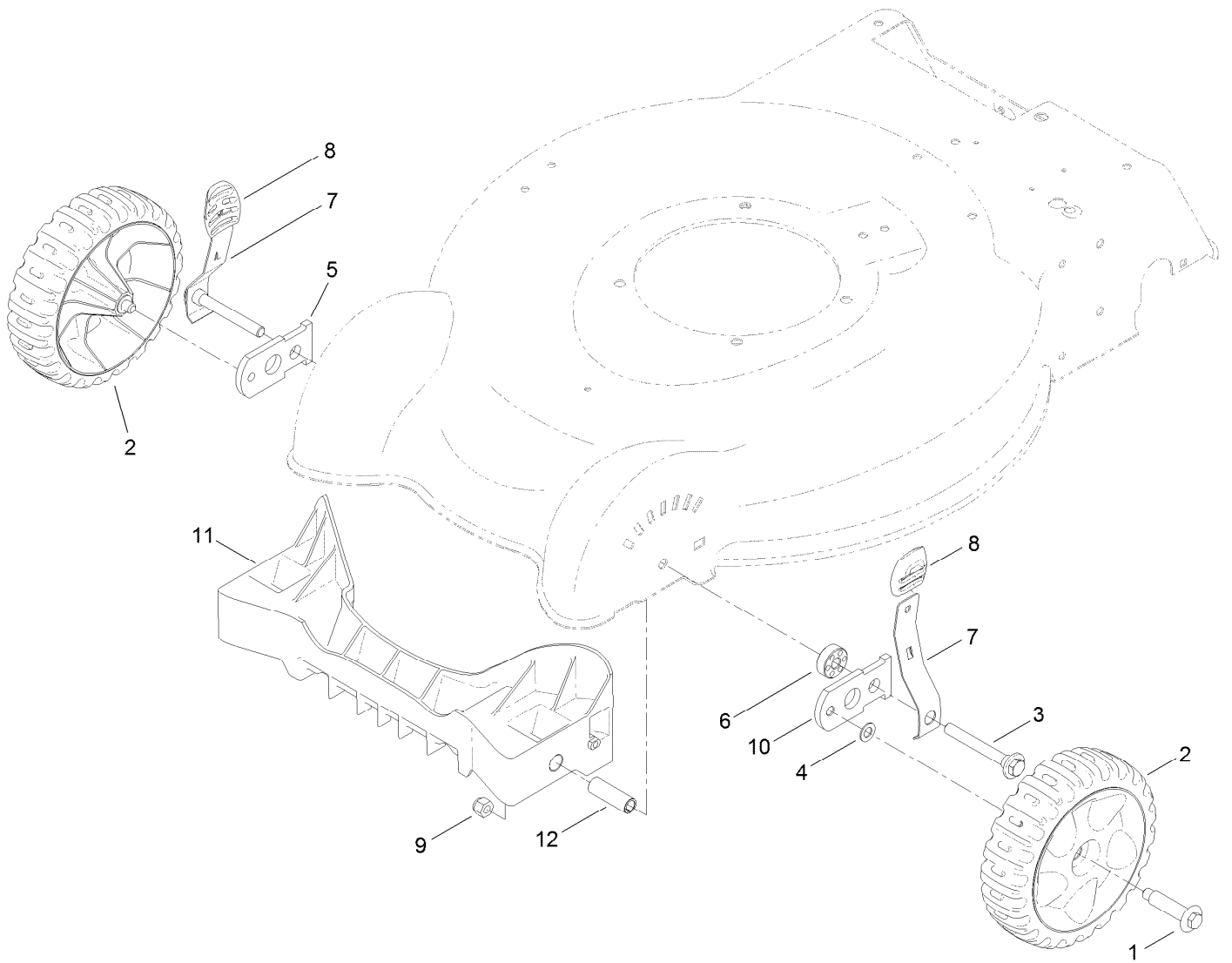


Engine and Blade Assembly

Ref.	Part Number	Qty.	Description
1	125-2466	1	Bolt-Blade, Sems
2	108-3766-03	1	Support-Blade
3	112-8841-03	1	Blade-20 Inch
4	106-3987	1	Blade Driver ASM
5	106-3999	1	Spacer-Driver
6	95-1726	3	Screw-Taptite
7	105-3030-03	1	Guide-Belt
8	112-8829	1	Cover-Belt
9	46-8091	3	Screw-HWH
14		1	Engine-Kohler, Ph-Xt675-0041 ●■
22	3256-24	2	Washer-Flat
28	121-9139	1	Decal-Shroud

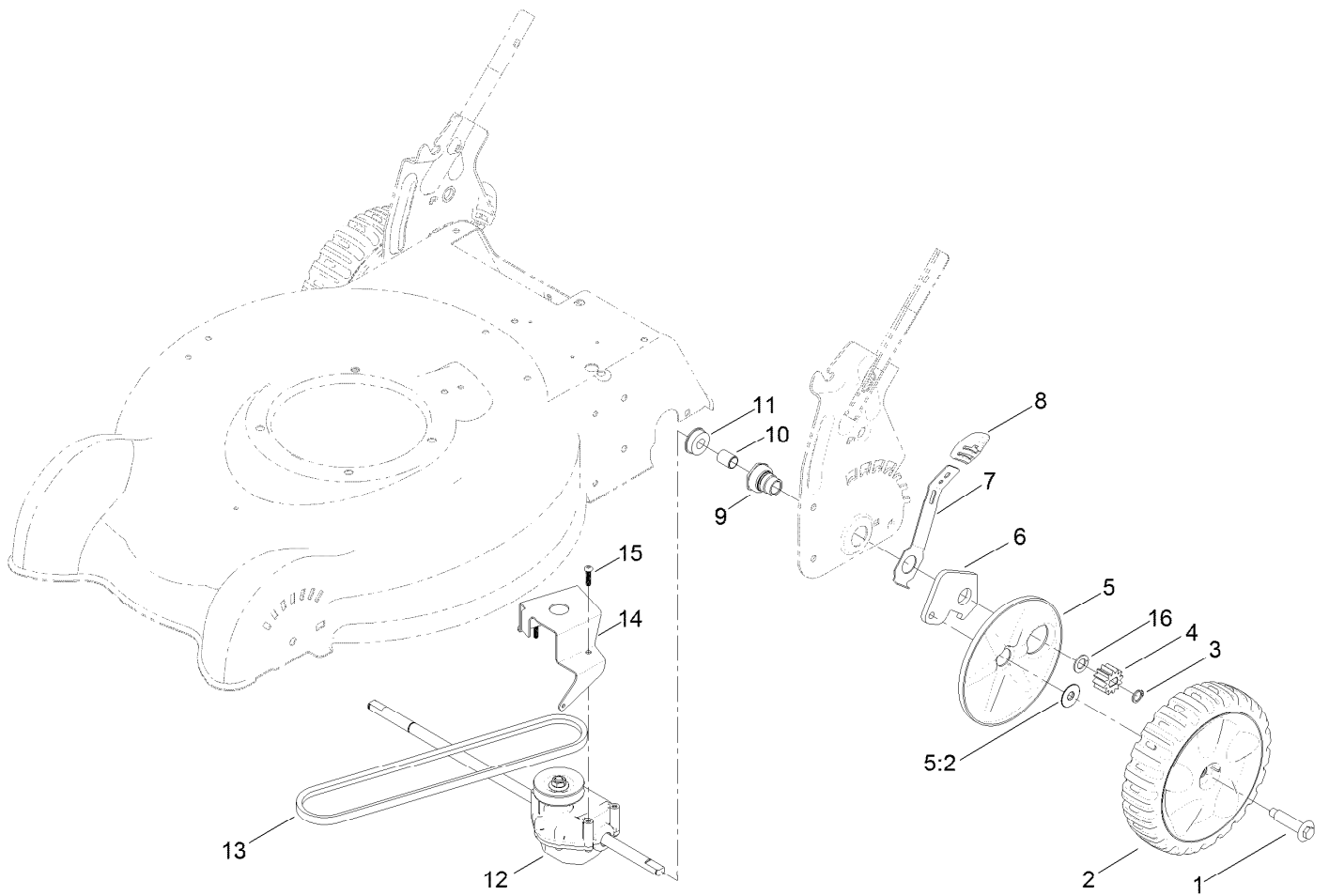
● Not serviced separately

■ Obtain parts from www.kohlerplus.com



Front Wheel and Height-of-Cut Assembly

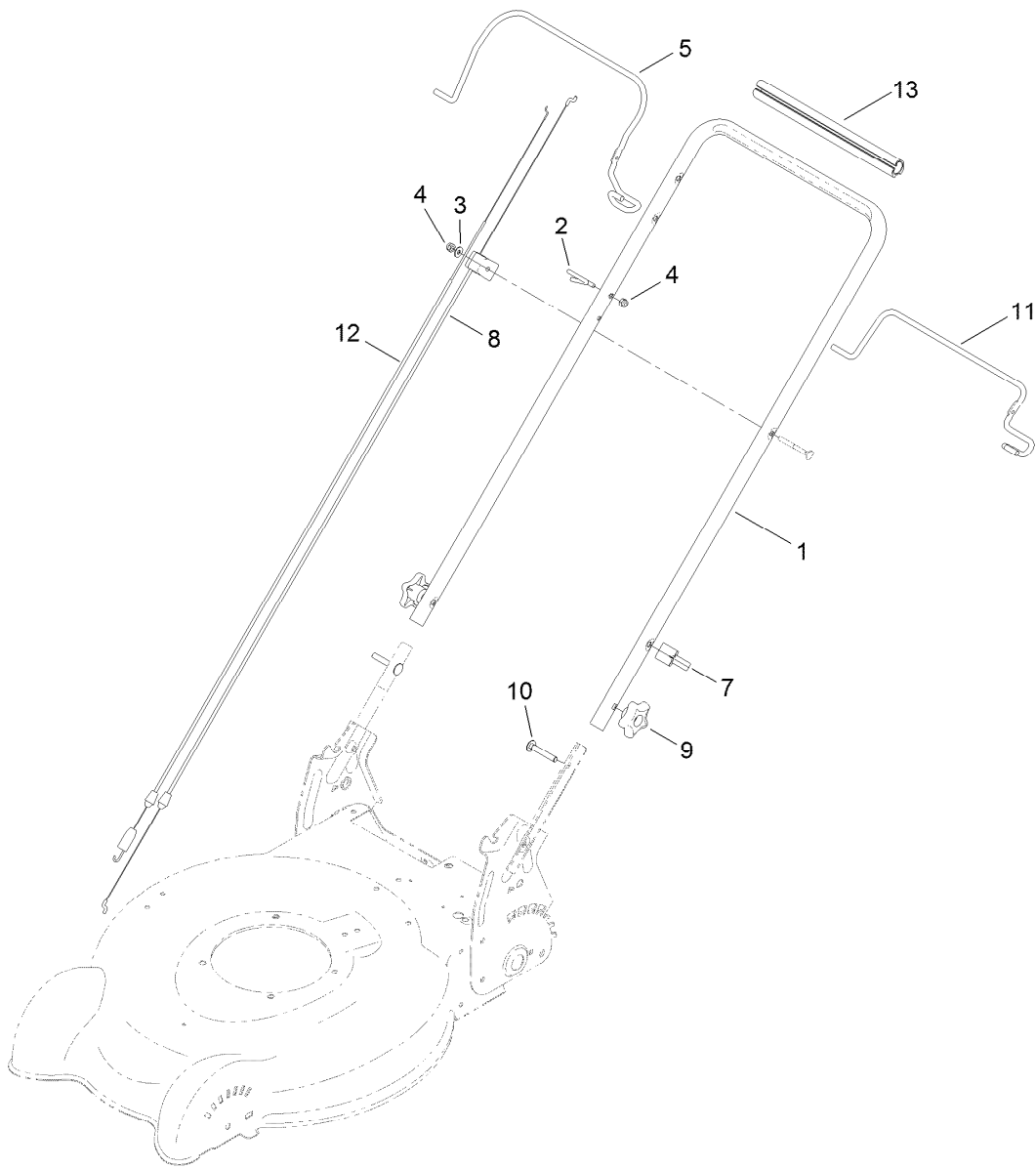
Ref.	Part Number	Qty.	Description
1	614650	2	Bolt-Shoulder
2	119-3777	2	7 Inch Wheel And Tire ASM
3	117-5996	2	Bolt-Shoulder
4	40-1940	2	Washer
5	107-3877	1	Arm-Pivot, RH
6	117-5997	2	Spacer-Arm, Pivot
7	112-8828	2	Arm-Spring, Front
8	105-3042	2	Knob-Lever, HOC
9	3296-39	2	Nut-Lock, NI
10	108-1044	1	Arm-Pivot, LH
11	117-5971	1	Baffle-Front, Rwd (Ce)
12	117-5992	2	Spacer-Baffle, Front



Transmission and Rear Wheel Drive Assembly

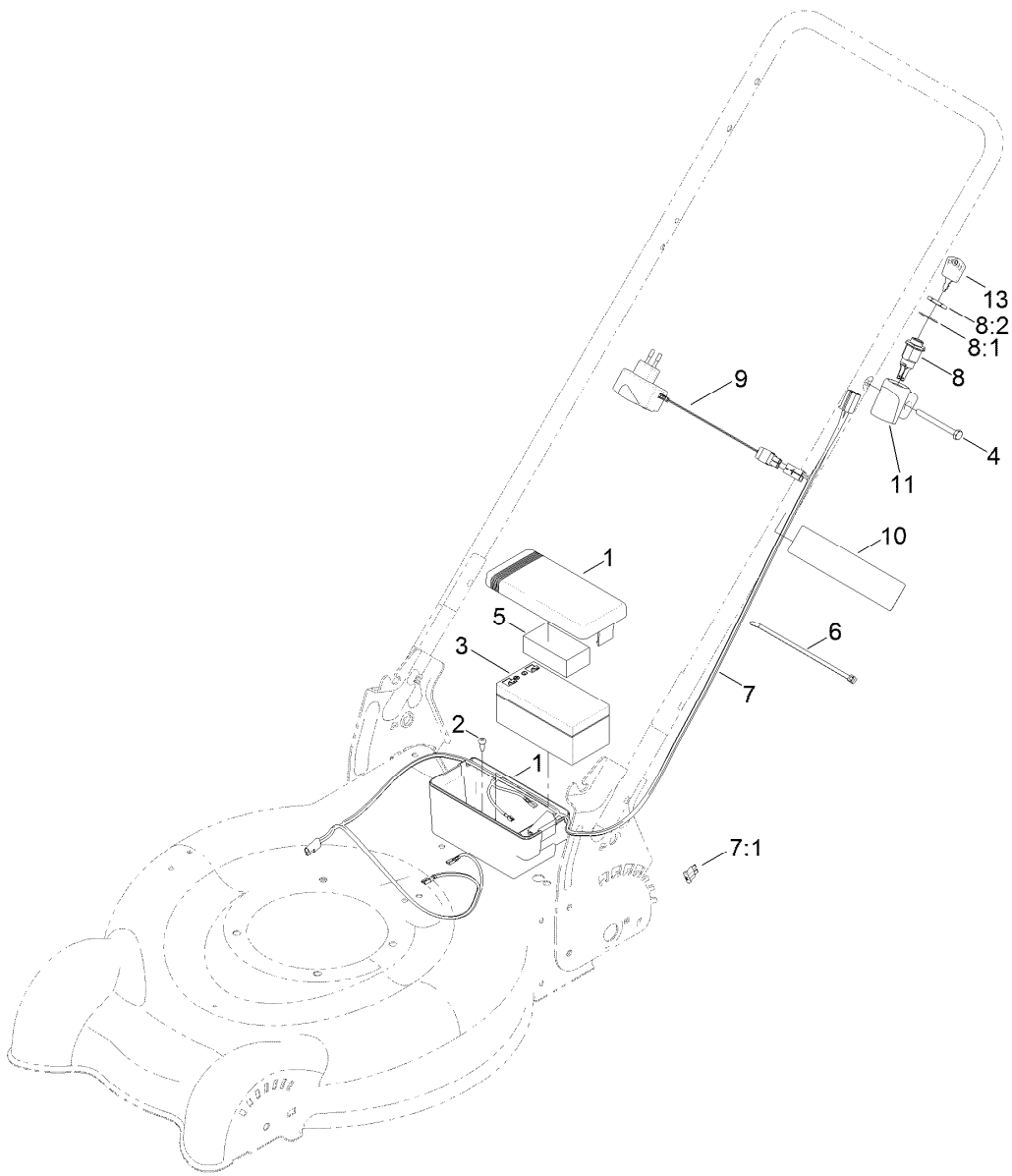
Ref.	Part Number	Qty.	Description
1	614650	2	Bolt-Shoulder
2	119-7068	2	8 Inch Wheel And Gear ASM
3	32151-61	2	Ring-Retaining
4	115-4668	2	Gear-Pinion, 12T
5	110-1792	2	Wheel Cover ASM
5:2	614426	1	Washer-Stepped
6	108-9781	2	Arm-Pivot, Rear
7	108-9780	2	Arm-Spring

Ref.	Part Number	Qty.	Description
8	105-3042	2	Knob-Lever, HOC
9	108-9779	2	Retainer-Bushing, HOC
10	108-9782	2	Bushing-Sleeve
11	104-8699	2	Bearing-Ball
12	121-9181	1	Transmission ASM
13	110-9429	1	V-Belt
14	114-7977-03	1	Bracket-Transmission
15	108-7476	3	Screw-Plastite
16	110-7191	2	Washer-Thrust



Handle Assembly

Ref.	Part Number	Qty.	Description
1	119-0308-05	1	Handle-Upper
2	86-9671	1	Guide-Rope
3	3256-1	1	Washer-Flat
4	3296-73	2	Nut-Lock, NI
5	117-5940-03	1	Bail-Brake
7	114-7988	1	Guide-Cable
8	112-8818	1	Cable-Brake
9	117-5976	2	Knob-Handle, Locking
10	3230-6	2	Screw-CARR
11	112-8835-03	1	Bail-Traction, 2-Bail Flat
12	112-8817	1	Cable-Traction
13	120-5216	1	Grip-Handle, Comfort



Electrical Assembly

Ref.	Part Number	Qty.	Description
1	108-4844	1	Battery Box ASM
2	105-6849	2	Screw-Thread Forming
3	106-8397	1	Battery-12 Volt
4	321-57	1	Screw-HH
5	107-3774	1	Foam-Battery, Top
6	614249	3	Tie-Cable
7	120-5214	1	Harness-Wire
7:1	99-6124	1	Fuse-Blade, 40 Amp
8	46-5780	1	Starter Switch ASM
8:1	3254-5	1	Washer-Tooth, Internal
8:2	218-461	1	Nut-HH
9	120-3947	1	Charger-Ce
10	104-7953	1	Decal
11	108-9760	1	Mount-Switch
13	700918	1	Key

Attachments and Accessories

For 29643 50cm Mulching/Side Discharge/Rear Bagging Lawn Mower

Product Name	Model/Part
Lawnmower Cover.....	490-7462
Rear-Discharge Deflector, 2009 and After 20in Steel Deck Mower	89964



Count on it.