



**Count on it.**

**Parts Catalog**

**53cm Recycler® Lawn Mower**

Model No. 20999—Serial No. 313000001 and Up



# Ordering Replacement Parts

To order replacement parts, please supply the part number, the quantity, and the description of each part desired.

## Understanding Reference Numbers

Each identified part in an illustration has a reference number. The reference number for a part also appears in the parts list, along with other information about the part.

This catalog uses two special reference number formats, one to indicate parts in a service assembly and another to indicate the quantity of a given part in an illustration.

## Service Assembly Reference Numbers

Parts in service assemblies have reference numbers in the form a:b. The a represents the reference number of the entire service assembly and the b represents a sequential number unique to each part within the service assembly.

For example, a wheel assembly might be identified by reference number 6, the tire by 6:1, the valve by 6:2, and the wheel by 6:3. When you order the assembly identified by reference number 6, you receive all parts identified by reference numbers 6:1, 6:2, and 6:3. However, you may also order any part individually. Reference numbers of this type appear in illustration and in parts lists.

## Reference Numbers Indicating Quantity

In an illustration, if a reference number indicates more than one part, the reference number has the form nX y. The n represents the quantity of the part, the X is the multiplication symbol, and the y represents the reference number.

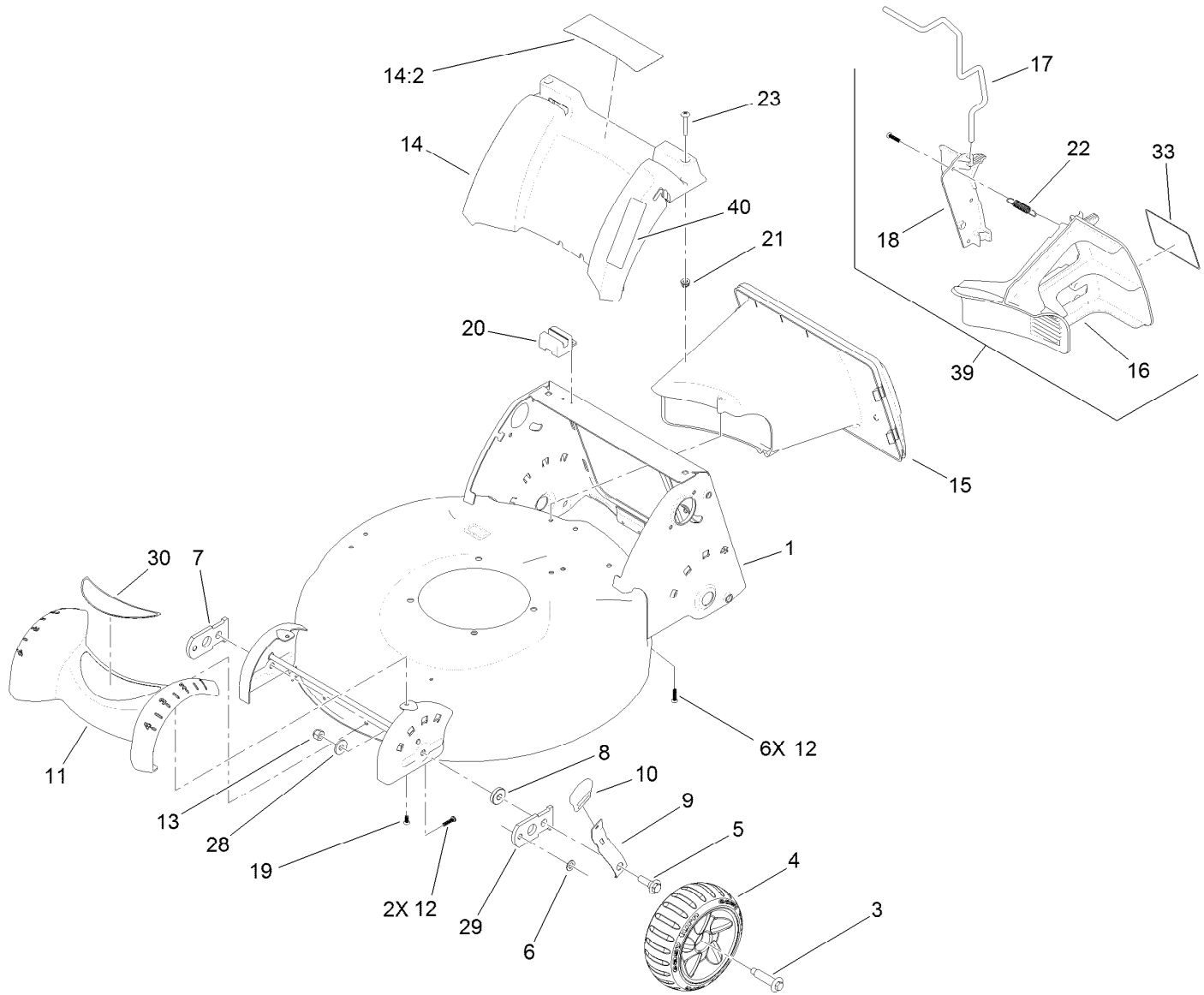
For example, in an illustration, the reference number 2X 37 means that two of the parts identified by reference number 37 are indicated.

# List of Abbreviations

<b>AR:</b> as required	<b>HLH:</b> hex lag head	<b>PTO:</b> power-take-off
<b>ASM:</b> assembly	<b>HOC:</b> height-of-cut	<b>RH:</b> right hand
<b>BBC:</b> blade brake control	<b>HSBH:</b> hex socket button head	<b>ROPS:</b> roll-over protection system
<b>BHTF:</b> button head thread forming	<b>HSFH:</b> hex socket flat head	<b>RRB:</b> rear roller brush
<b>CARR:</b> carriage	<b>HSH:</b> hex socket head	<b>SFH:</b> slotted fillister head
<b>CCW:</b> counter clockwise	<b>HWH:</b> hex washer head	<b>SHH:</b> slotted hex head
<b>CW:</b> clockwise	<b>HWHTF:</b> hex washer head thread forming	<b>SHWH:</b> slotted hex washer head
<b>DEG:</b> degrees	<b>HYD:</b> hydraulic	<b>SPH:</b> slotted pan head
<b>DPA:</b> Dual Point Adjustment	<b>LH:</b> left hand	<b>SQH:</b> square head
<b>ECM:</b> electronic control module	<b>LP:</b> Liquefied Petroleum Gas	<b>SRH:</b> slotted round head
<b>EXT:</b> external	<b>LPG:</b> Liquefied Petroleum Gas	<b>STD:</b> standard
<b>FH:</b> flat head	<b>NI:</b> nylon insert	<b>TAP:</b> self tapping
<b>GA:</b> gauge	<b>NPTF:</b> national pipe thread fine	<b>TTH:</b> torx truss head
<b>HD:</b> heavy-duty	<b>PFH:</b> phillips flat head	
<b>HF:</b> hex flange	<b>PPH:</b> phillips pan head	
<b>HH:</b> hex head	<b>PPHTF:</b> phillips pan head thread forming	
<b>HHF:</b> hex head flange	<b>PRH:</b> phillips round head	
<b>HHFTF:</b> hex head flange thread forming	<b>PTH:</b> phillips truss head	
<b>HJ:</b> hex jam		

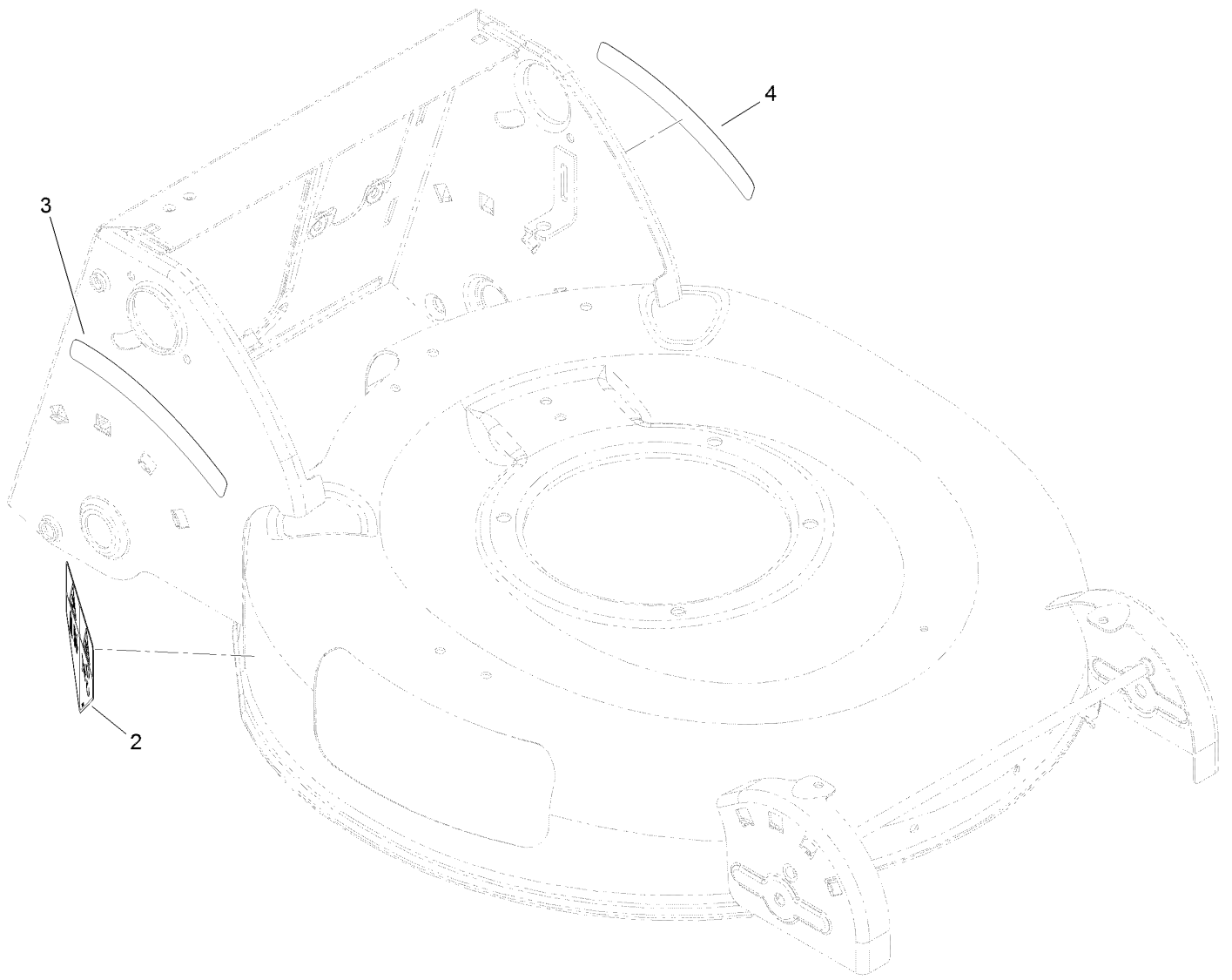
# Contents

Deck Housing, Front Wheel and Rear Door Assembly .....	4
Deck Baffle Assembly No. 117-4193 .....	5
Transmission, Rear Wheel and Side Discharge Assembly .....	6
Upper Handle Assembly .....	7
Lower Handle Assembly .....	8
Engine and Blade Assembly .....	9
Rear Bag Assembly .....	10



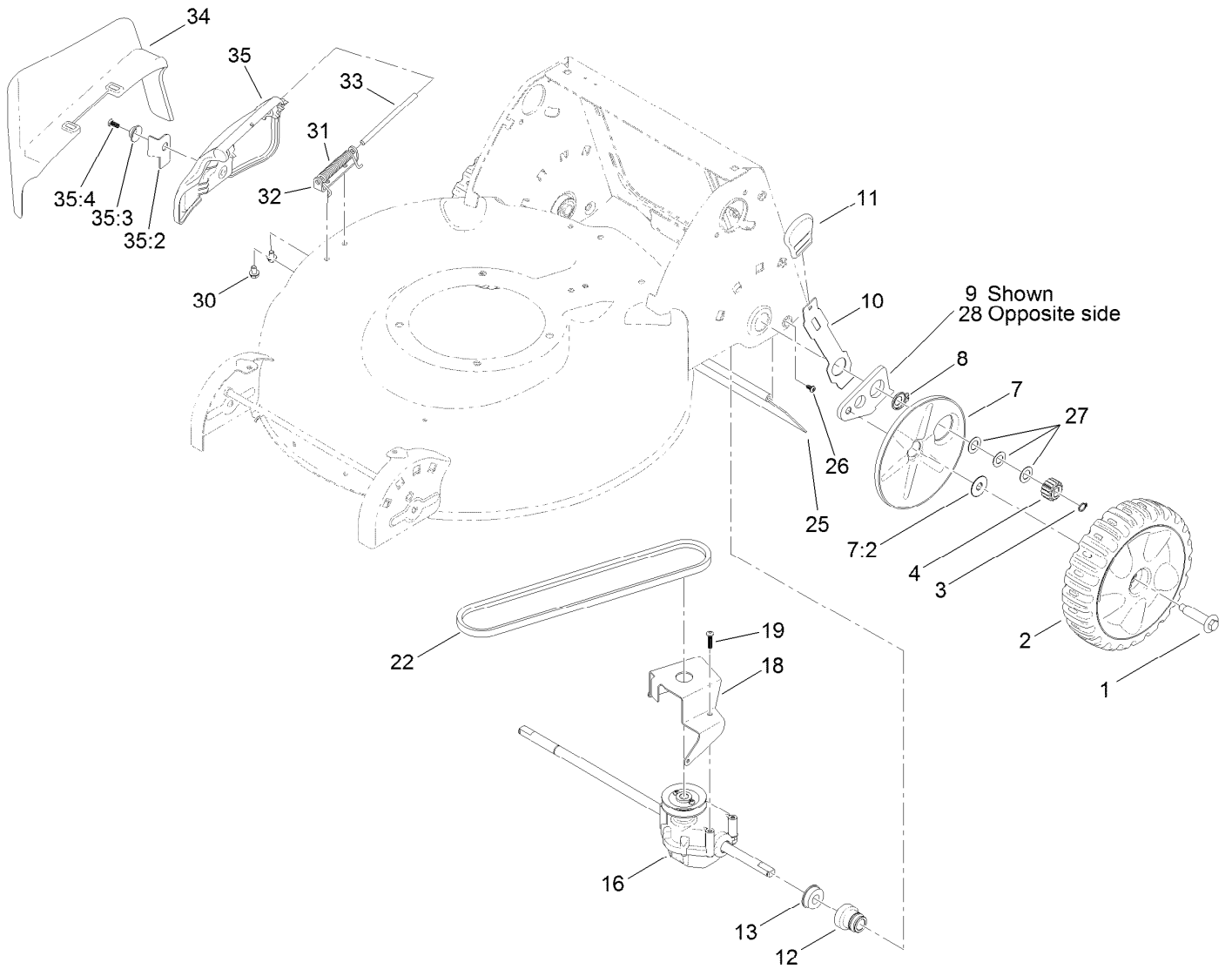
## Deck Housing, Front Wheel and Rear Door Assembly

<i>Ref.</i>	<i>Part Number</i>	<i>Qty.</i>	<i>Description</i>	<i>Ref.</i>	<i>Part Number</i>	<i>Qty.</i>	<i>Description</i>
1	117-4193	1	Deck ASM	16	110-9446	1	Plug-Mulch, LH
3	614650	2	Bolt-Shoulder	17	110-9448	1	Latch-Plug, Mulch
4	119-3777	2	7 Inch Wheel And Tire ASM	18	110-9447	1	Plug-Mulch, RH
5	614672	2	Bolt-Shoulder	19	108-7475	2	Screw-Plastite
6	40-1940	2	Washer	20	110-1786	1	Module-Switch
7	107-3877	1	Arm-Pivot, RH	21	94-1610	2	Nut-Clip
8	92-4890	2	Washer	22	110-9458	1	Spring-Extension
9	107-3878	2	Arm-Spring	23	108-0965	2	Screw-PTH
10	110-0549	2	Knob-HOC	28	80-6990	2	Washer-Hardened
11	107-3926	1	Cover-Front	29	108-1044	1	Arm-Pivot, LH
12	108-7476	8	Screw-Plastite	30	120-1947	1	Decal-Front (Ce)
13	3296-39	2	Nut-Lock, NI	33	110-9457	1	Decal-Plug, Mulch
14	115-3177	1	Rear Cover ASM	39	110-9468	1	Mulch Plug ASM
14:2	114-2820	1	Decal-Warning	40	121-2370	1	Decal-Stow, Quick
15	110-9455	1	Tunnel				



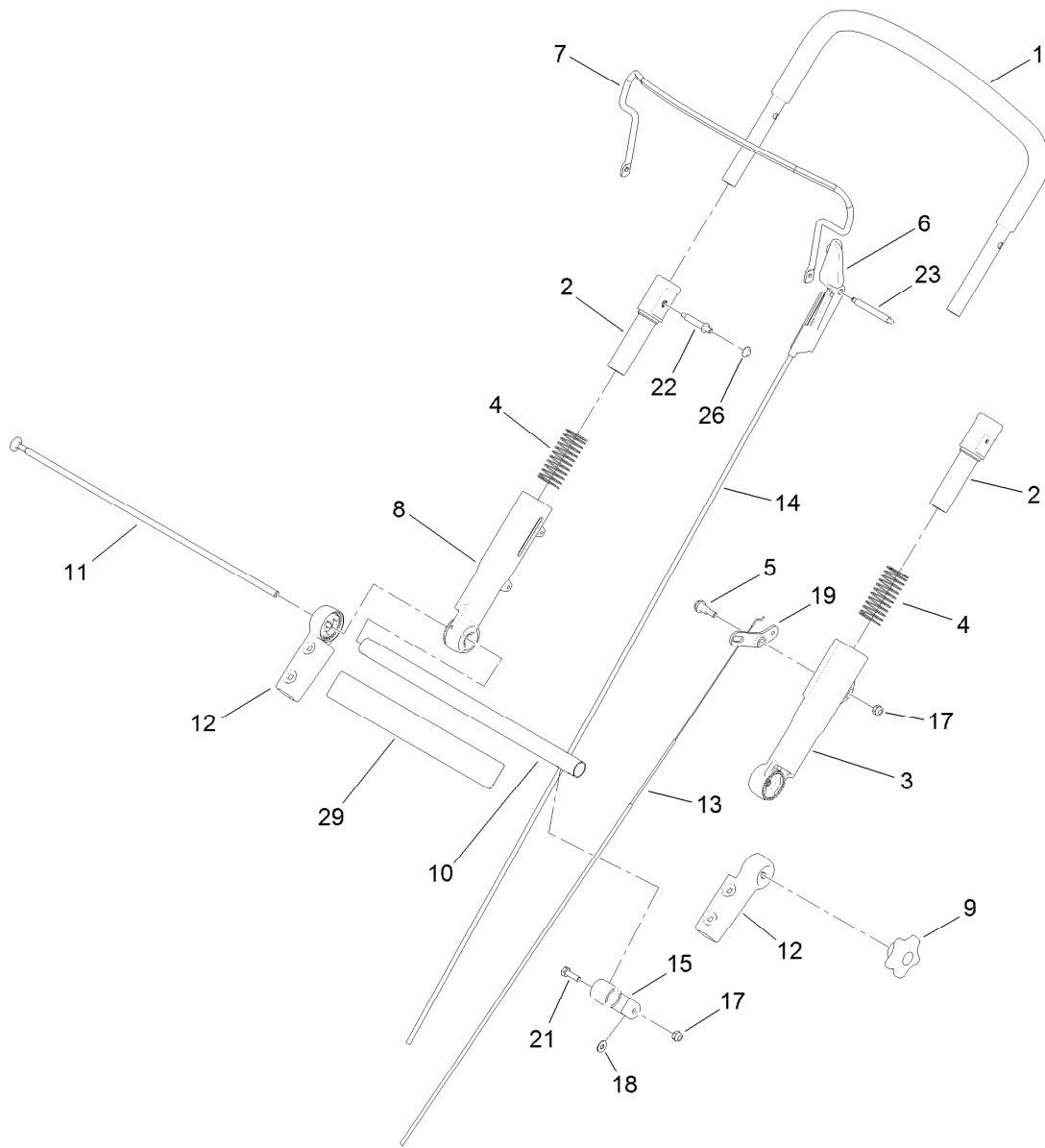
## Deck Baffle Assembly No. 117-4193

<i>Ref.</i>	<i>Part Number</i>	<i>Qty.</i>	<i>Description</i>
2	112-8760	1	Decal-Danger
3	108-7450	1	Decal-HOC, RH
4	108-7451	1	Decal-HOC, LH



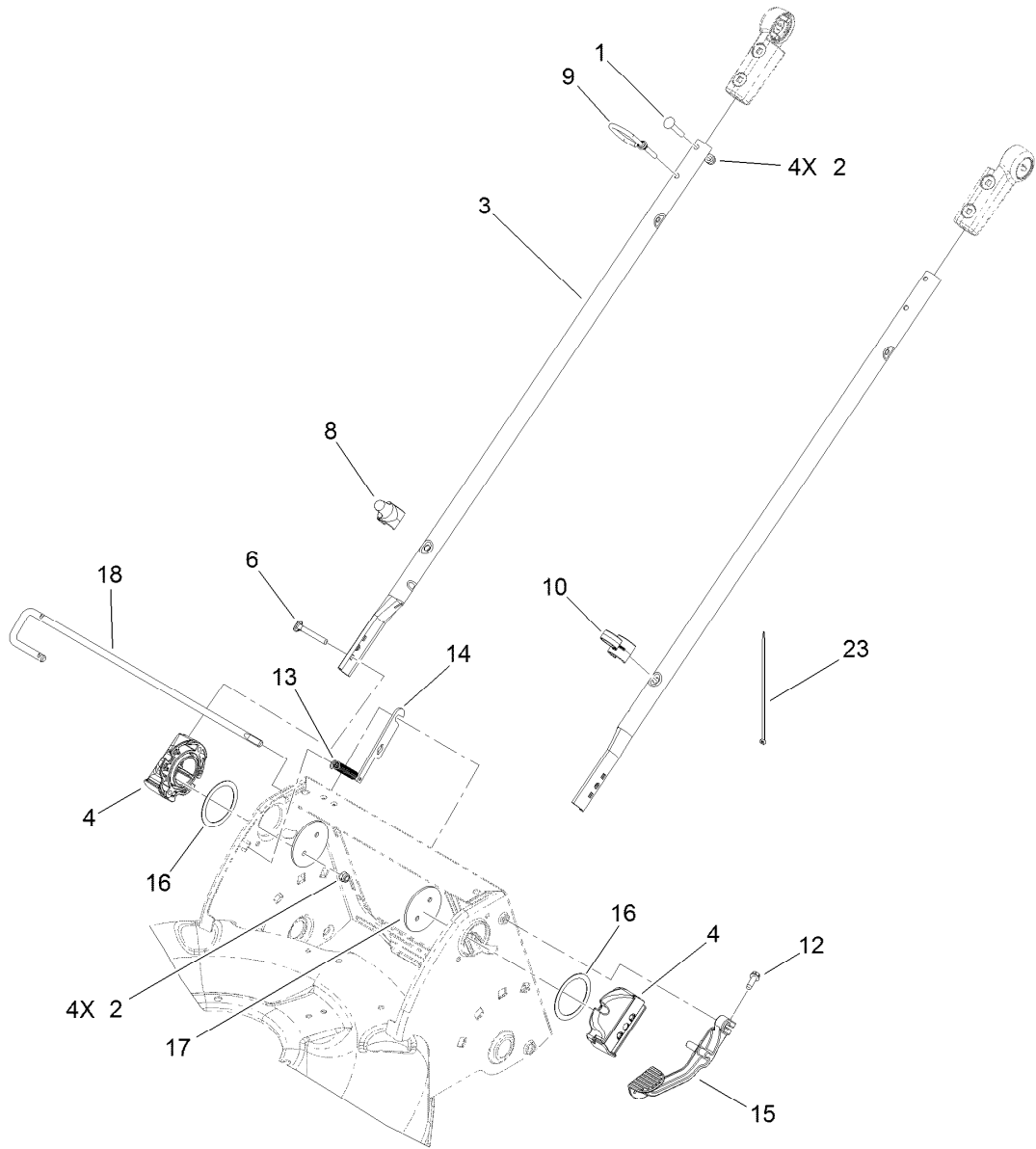
## Transmission, Rear Wheel and Side Discharge Assembly

Ref.	Part Number	Qty.	Description	Ref.	Part Number	Qty.	Description
1	614650	2	Bolt-Shoulder	19	108-7476	3	Screw-Plastite
2	119-7067	2	8 Inch Wheel And Gear ASM (White)	22	110-9429	1	V-Belt
3	32151-61	2	Ring-Retaining	25	120-7010	1	Shield-Trailing
4	110-9417	2	Gear-Pinion, 15T	26	117-1092	2	Screw-PTH
7	110-1792	2	Wheel Cover ASM	27	36-4780	3	Washer-Plain
7:2	614426	1	Washer-Stepped	28	108-9343	1	Arm-Rear Pivot, RH
8	32151-36	2	Ring-Retaining	30	99-8445	2	Screw-HWH, Taptite
9	108-9344	1	Arm-Rear Pivot, LH	31	99-5293	1	Spring-Torsion
10	110-9445	2	Arm-Spring, Rear	32	112-6416	1	Bracket-Cover
11	110-0549	2	Knob-HOC	33	99-5291	1	Rod-Cover
12	104-8698	2	Retainer-Bearing, HOC	34	105-3028	1	Chute-Discharge, Side
13	104-8699	2	Bearing-Ball	35	106-8376	1	Discharge Door ASM
16	110-9414	1	Transmission ASM	35:2	107-0795	1	Latch-Door
18	114-7977-03	1	Bracket-Transmission	35:3	107-7456	1	Cap-Door
				35:4	107-7461	1	Screw-Plastite



## Upper Handle Assembly

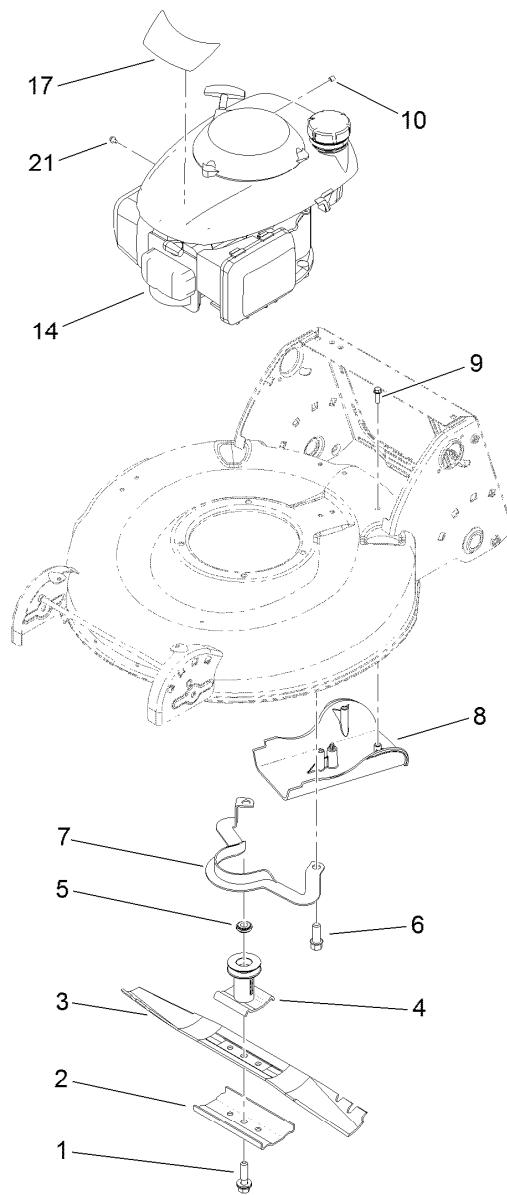
<i>Ref.</i>	<i>Part Number</i>	<i>Qty.</i>	<i>Description</i>	<i>Ref.</i>	<i>Part Number</i>	<i>Qty.</i>	<i>Description</i>
1	108-0974	1	Upper Handle ASM	13	107-3902	1	Cable-Traction
2	112-8754	2	Sleeve-Inner	14	107-3903	1	Cable-Brake
3	112-1544	1	Sleeve-Outer, LH	15	112-8801	1	Clamp-Cable
4	107-3869	2	Spring-Compression	17	3296-73	2	Nut-Lock, NI
5	104-0858	1	Bolt-Shoulder	18	3256-1	1	Washer-Flat
6	112-8764	1	Stop-Pivot	19	107-3893	1	Lever-Traction
7	110-1819-03	1	Bail-Brake	21	321-5	1	Screw-HH
8	112-1545	1	Sleeve-Outer, RH	22	108-0959	1	Pin-Handle
9	117-5976	1	Knob-Handle, Locking	23	108-1008	1	Pin-Bail, LH
10	107-3867-03	1	Tube-Cross	26	108-9378	1	Retainer-Push On
11	107-3871	1	Rod-Threaded	29	120-3907	1	Decal-Ads
12	107-3865	2	Mount-Handle, Lower				



## Lower Handle Assembly

<i>Ref.</i>	<i>Part Number</i>	<i>Qty.</i>	<i>Description</i>
1	108-0988	3	Screw-CARR
2	3296-73	8	Nut-Lock, NI
3	107-3887-03	2	Tube-Lower
4	119-3847-03	2	Mount-Handle
6	95-4453	4	Screw
8	117-4141	1	Guide-Rope, Lower
9	107-3908	1	Guide-Rope, Upper
10	114-7988	1	Guide-Cable

<i>Ref.</i>	<i>Part Number</i>	<i>Qty.</i>	<i>Description</i>
12	49-2040	1	Screw-HWHTF
13	112-1542	1	Spring-Extension
14	112-1539	1	Plate-Rod, Release
15	110-1823-03	1	Lever-Release
16	107-3947	2	Washer-Nylon
17	107-3944-03	2	Plate
18	112-8755	1	Rod-Release, Handle
23	614249	1	Tie-Cable

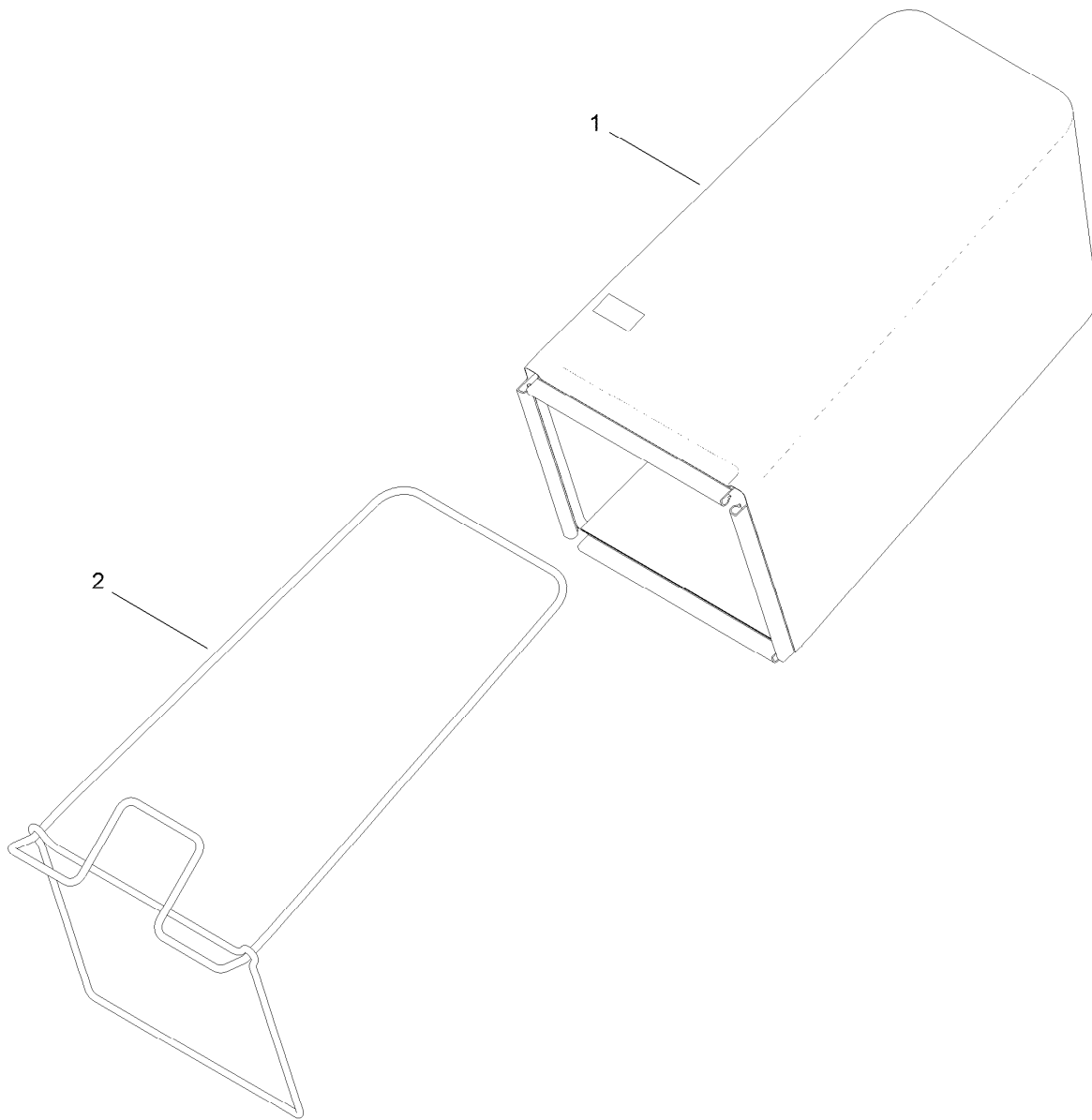


## Engine and Blade Assembly

Ref.	Part Number	Qty.	Description
1	117-5270	1	Bolt-Blade
2	108-3766-03	1	Support-Blade
3	108-0954-03	1	Blade-21 Inch
4	114-2774	1	Driver-Blade
5	106-3999	1	Spacer-Driver
6	95-1726	3	Screw-Taptite
7	105-3030-03	1	Guide-Belt
8	110-1832	1	Cover-Belt
9	46-8091	3	Screw-HWH
10	2210-316	1	Stop-Rope
14		1	Engine-Honda, Gcv160A0-S3Te ●■
17	120-1949	1	Decal-Engine
21	98-1394	1	Screw-HWH

● Not serviced separately

■ Obtain parts from [www.honda-engines.com](http://www.honda-engines.com)



## Rear Bag Assembly

<i>Ref.</i>	<i>Part Number</i>	<i>Qty.</i>	<i>Description</i>
1	119-7000	1	Grass Bag ASM
2	112-8750-03	1	Frame-Bag

**Notes:**



**Count on it.**