



Count on it.

Parts Catalog

17in Curved-Shaft Gas Trimmer

Model No. 51957—Serial No. 313000001 and Up



Ordering Replacement Parts

To order replacement parts, please supply the part number, the quantity, and the description of each part desired.

Understanding Reference Numbers

Each identified part in an illustration has a reference number. The reference number for a part also appears in the parts list, along with other information about the part.

This catalog uses two special reference number formats, one to indicate parts in a service assembly and another to indicate the quantity of a given part in an illustration.

Service Assembly Reference Numbers

Parts in service assemblies have reference numbers in the form a:b. The a represents the reference number of the entire service assembly and the b represents a sequential number unique to each part within the service assembly.

For example, a wheel assembly might be identified by reference number 6, the tire by 6:1, the valve by 6:2, and the wheel by 6:3. When you order the assembly identified by reference number 6, you receive all parts identified by reference numbers 6:1, 6:2, and 6:3. However, you may also order any part individually. Reference numbers of this type appear in illustration and in parts lists.

Reference Numbers Indicating Quantity

In an illustration, if a reference number indicates more than one part, the reference number has the form nX y. The n represents the quantity of the part, the X is the multiplication symbol, and the y represents the reference number.

For example, in an illustration, the reference number 2X 37 means that two of the parts identified by reference number 37 are indicated.

List of Abbreviations

AR: as required

ASM: assembly

BBC: blade brake control

BHTF: button head thread forming

CARR: carriage

CCW: counter clockwise

CW: clockwise

DEG: degrees

DPA: Dual Point Adjustment

ECM: electronic control module

EXT: external

FH: flat head

GA: gauge

HD: heavy-duty

HF: hex flange

HH: hex head

HHF: hex head flange

HHFTF: hex head flange thread forming

HJ: hex jam

HLH: hex lag head

HOC: height-of-cut

HSBH: hex socket button head

HSFH: hex socket flat head

HSH: hex socket head

HWH: hex washer head

HWHTF: hex washer head thread forming

HYD: hydraulic

LH: left hand

LP: Liquefied Petroleum Gas

LPG: Liquefied Petroleum Gas

NI: nylon insert

NPTF: national pipe thread fine

PFH: phillips flat head

PPH: phillips pan head

PPHTF: phillips pan head thread forming

PRH: phillips round head

PTH: phillips truss head

PTO: power-take-off

RH: right hand

ROPS: roll-over protection system

RRB: rear roller brush

SFH: slotted fillister head

SHH: slotted hex head

SHWH: slotted hex washer head

SPH: slotted pan head

SQH: square head

SRH: slotted round head

STD: standard

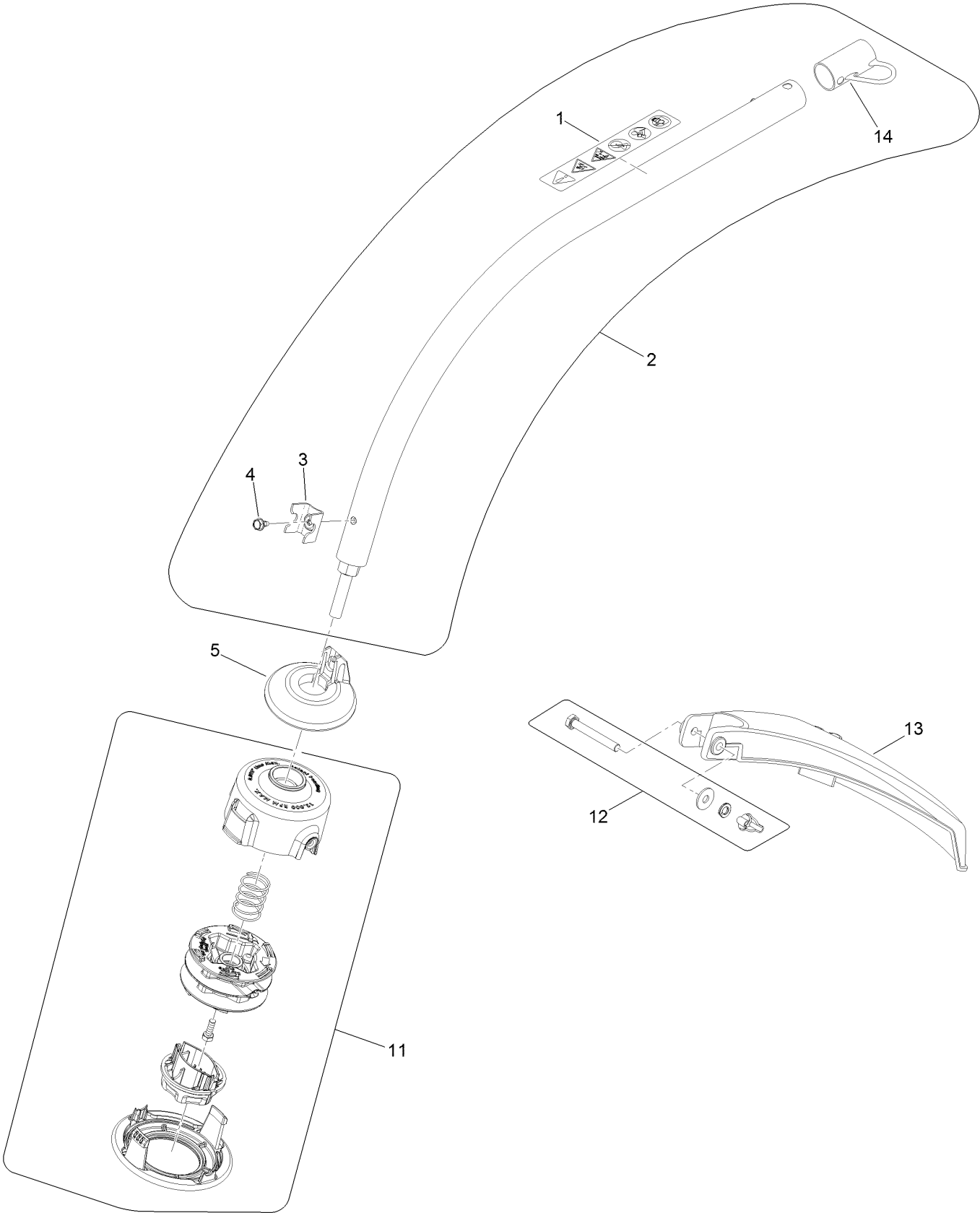
TAP: self tapping

TTH: torx truss head

Contents

Trimmer Head, Shaft and Guard Assembly	4
Upper Shaft, Handle and Powerhead Assembly	6
Powerhead Assembly No. 308466015	8
Attachments and Accessories	10

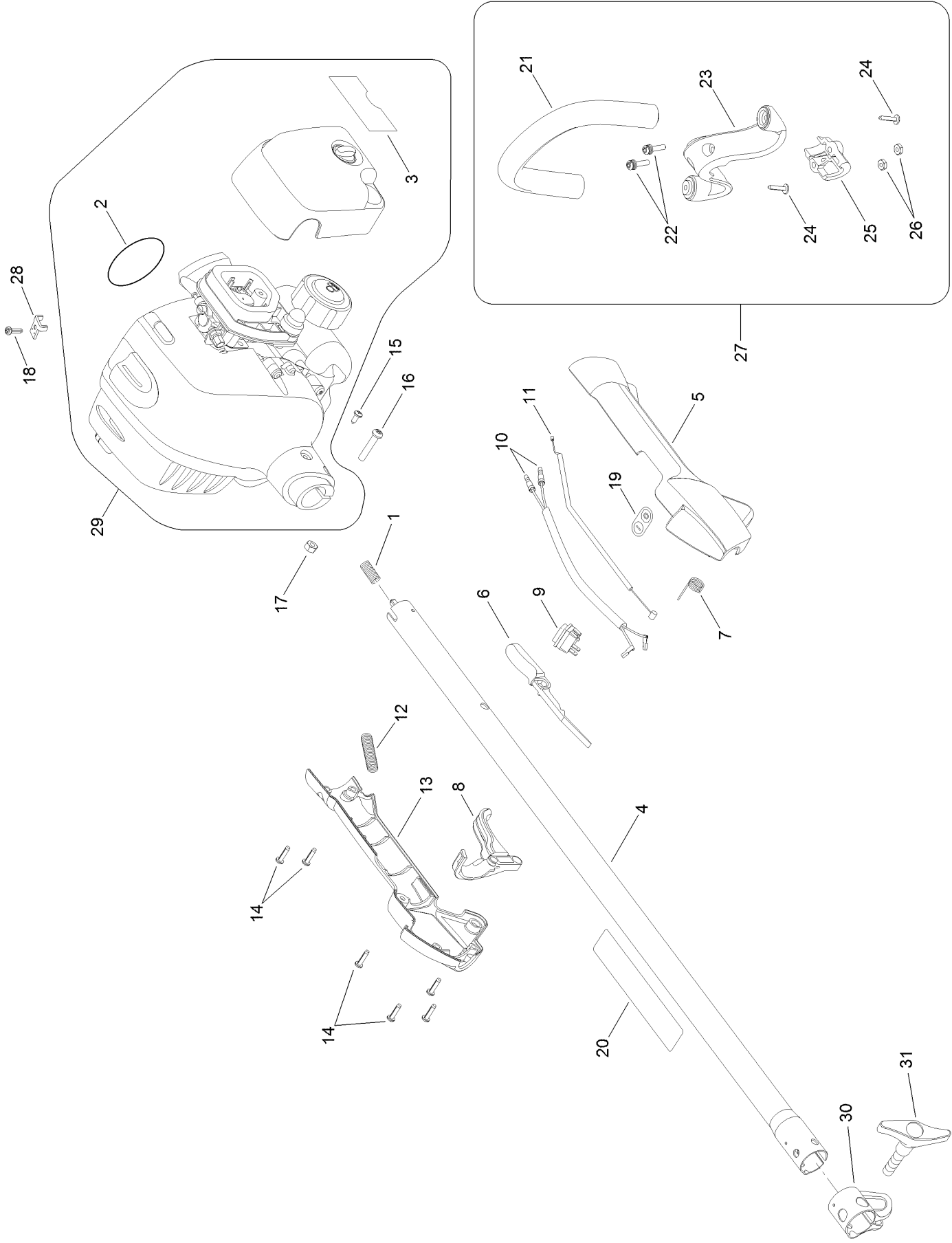
Trimmer Head, Shaft and Guard Assembly



Trimmer Head, Shaft and Guard Assembly (continued)

<i>Ref.</i>	<i>Part Number</i>	<i>Qty.</i>	<i>Description</i>	<i>Ref.</i>	<i>Part Number</i>	<i>Qty.</i>	<i>Description</i>
1	940657032	1	Decal-Label, Warning	11	309034001	1	Trimmer Head ASM
2	308841010	1	Curved Shaft ASM	12	120650001	1	Guard Fastener Kit
3	638001001	1	Clamp	13	308052005	1	Guard-Trimmer
4	660647001	1	Screw-HWH	14	518019002	1	Cap-Hanger
5	522702001	1	Shield-Grass				

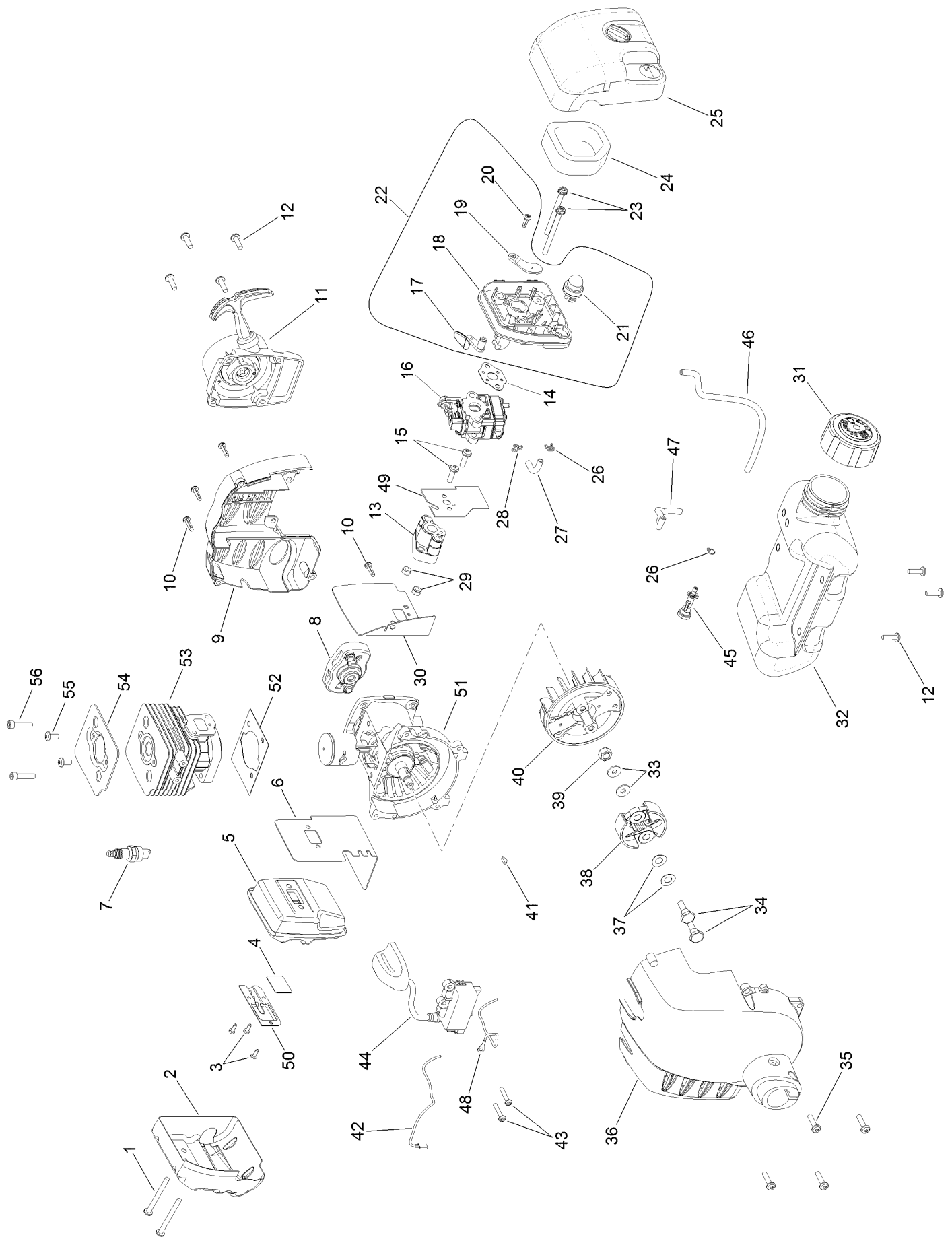
Upper Shaft, Handle and Powerhead Assembly



Upper Shaft, Handle and Powerhead Assembly (continued)

<i>Ref.</i>	<i>Part Number</i>	<i>Qty.</i>	<i>Description</i>	<i>Ref.</i>	<i>Part Number</i>	<i>Qty.</i>	<i>Description</i>
1	678906001	1	Spring-Compression	17	983619015	1	Nut-Hex
2	940865001	1	Plate-Logo	18	638133001	1	Clamp-Cable, Throttle
3	940686099	1	Label-Start, Lower	19	940864003	1	Label-On/Stop
4	308159013	1	Upper Shaft ASM	20	940657034	1	Label-Warning
5	518122001	1	Support-Handle, Rear	21	000998535	1	Handle-Front
6	518125001	1	Button-Off, Lock	22	660653005	2	Screw
7	690694002	1	Spring-Trigger	23	518038001	1	Clamp-M
8	518124001	1	Trigger	24	660637002	2	Screw
9	760700001	1	Switch-On/Stop	25	518020001	1	Clamp
10	308863029	2	Lead	26	678106001	2	Nut-Hex
11	308225003	1	Cable-Throttle	27	308056003	1	Front Handle ASM
12	518210004	1	Tube-Corrugated	28	660734001	1	Screw
13	518123001	1	Cover-Handle, Rear	29	308466015	1	Powerhead ASM
14	660563002	6	Screw	30	638010001	1	Clamp-Boom
15	660669001	1	Screw-PPH	31	308045004	1	Knob
16	T660697001	1	Screw				

Powerhead Assembly No. 308466015



Powerhead Assembly No. 308466015 (continued)

<i>Ref.</i>	<i>Part Number</i>	<i>Qty.</i>	<i>Description</i>	<i>Ref.</i>	<i>Part Number</i>	<i>Qty.</i>	<i>Description</i>
1	660347001	2	Screw-Pan HD	29	690840001	2	Nut
2	638027002	1	Shield-Heat	30	900711008	1	Gasket-Insulator
3	660870001	3	Screw-Pan HD	31	310816005	1	Cap-Fuel
4	638268001	1	Screen	32	308675054	1	Fuel Tank ASM
5	300748021	1	Muffler ASM	33	690695001	2	Washer
6	630002006	1	Gasket-Muffler	34	660353001	2	Screw-Clutch
7	870170001	1	Spark Plug	35	660344001	4	Screw-Pan HD
8	308004001	1	Pulley ASM	36	300754023	1	Front Housing ASM
9	590470001	1	Housing-Engine, Rear	37	690696001	2	Washer-Curved
10	660563001	4	Screw	38	300756007	1	Clutch ASM
11	308430001	1	Recoil Starter ASM	39	690689001	1	Nut-Rotor
12	660351001	7	Screw-Pan HD	40	640574002	1	Rotor
13	518329001	1	Insulator-Dam, Heat	41	690688001	1	Key-Woodruff
14	900711003	1	Gasket-Carburetor	42	290143001	1	Wire-Lead, Black
15	660344003	2	Screw-Pan HD	43	660349001	2	Screw-Pan HD
16	308480001	1	Carburetor ASM	44	290178020	1	Coil-Boot ASM
17	590458001	1	Lever-Choke	45	310976001	1	Filter-Fuel
18	518130001	1	Plate-Carburetor	46	562967008	1	Hose-Fuel
19	590946001	1	Plate-Choke	47	570373010	1	Hose-Fuel
20	660345001	1	Screw-Pan HD	48	290143002	1	Wire-Lead, Red
21	300780002	1	Primer ASM	49	901697001	1	Gasket
22	308478004	1	Filter Housing ASM	50	638267001	1	Cover-Trimmed
23	660346001	2	Screw-Pan HD	51	300749005	1	Crankcase ASM
24	560873001	1	Element	52	900709005	1	Gasket
25	308207004	1	Cover ASM	53	640570016	1	Cylinder
26	690699001	1	Clip-Hose	54	630002021	1	Plate-Cylinder
27	570373002	1	Line-Fuel, 45Mm	55	660351002	2	Screw-Pan Head, Torx
28	690700001	1	Clip-Hose	56	660342001	2	Screw-Socket Head

Attachments and Accessories

For 51957 17in Curved-Shaft Gas Trimmer

Product Name	Model/Part
Spark Arrestor Kit	000998216
High Altitude Kit	120900107

Notes:



Count on it.