



**Count on it.**

**Parts Catalog**

**25cc Power Head**

Model No. 51947—Serial No. 313000001 and Up



# Ordering Replacement Parts

To order replacement parts, please supply the part number, the quantity, and the description of each part desired.

## Understanding Reference Numbers

Each identified part in an illustration has a reference number. The reference number for a part also appears in the parts list, along with other information about the part.

This catalog uses two special reference number formats, one to indicate parts in a service assembly and another to indicate the quantity of a given part in an illustration.

## Service Assembly Reference Numbers

Parts in service assemblies have reference numbers in the form a:b. The a represents the reference number of the entire service assembly and the b represents a sequential number unique to each part within the service assembly.

For example, a wheel assembly might be identified by reference number 6, the tire by 6:1, the valve by 6:2, and the wheel by 6:3. When you order the assembly identified by reference number 6, you receive all parts identified by reference numbers 6:1, 6:2, and 6:3. However, you may also order any part individually. Reference numbers of this type appear in illustration and in parts lists.

## Reference Numbers Indicating Quantity

In an illustration, if a reference number indicates more than one part, the reference number has the form nX y. The n represents the quantity of the part, the X is the multiplication symbol, and the y represents the reference number.

For example, in an illustration, the reference number 2X 37 means that two of the parts identified by reference number 37 are indicated.

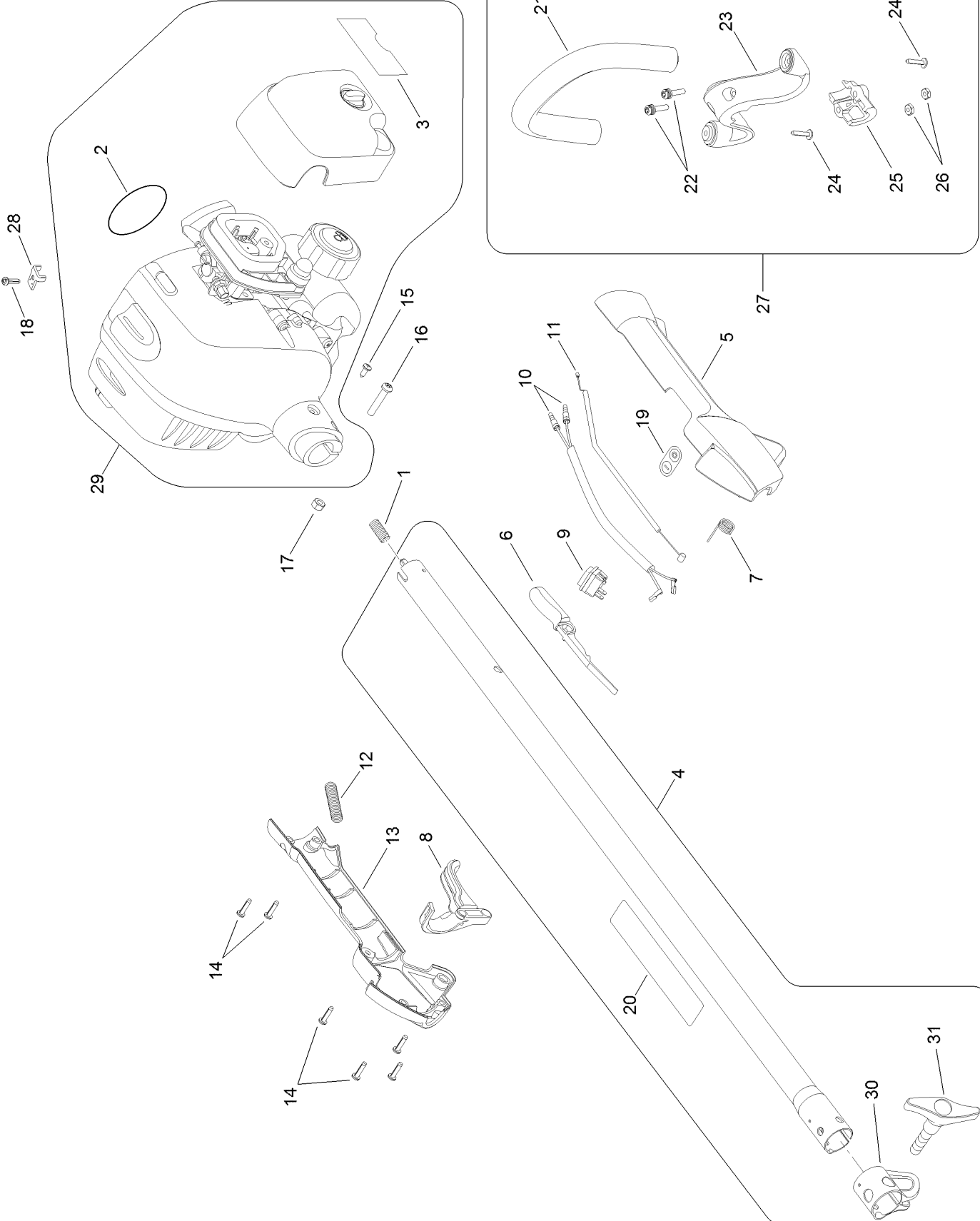
# List of Abbreviations

<b>AR:</b> as required	<b>HLH:</b> hex lag head	<b>PTO:</b> power-take-off
<b>ASM:</b> assembly	<b>HOC:</b> height-of-cut	<b>RH:</b> right hand
<b>BBC:</b> blade brake control	<b>HSBH:</b> hex socket button head	<b>ROPS:</b> roll-over protection system
<b>BHTF:</b> button head thread forming	<b>HSFH:</b> hex socket flat head	<b>RRB:</b> rear roller brush
<b>CARR:</b> carriage	<b>HSH:</b> hex socket head	<b>SFH:</b> slotted fillister head
<b>CCW:</b> counter clockwise	<b>HWH:</b> hex washer head	<b>SHH:</b> slotted hex head
<b>CW:</b> clockwise	<b>HWHTF:</b> hex washer head thread forming	<b>SHWH:</b> slotted hex washer head
<b>DEG:</b> degrees	<b>HYD:</b> hydraulic	<b>SPH:</b> slotted pan head
<b>DPA:</b> Dual Point Adjustment	<b>LH:</b> left hand	<b>SQH:</b> square head
<b>ECM:</b> electronic control module	<b>LP:</b> Liquefied Petroleum Gas	<b>SRH:</b> slotted round head
<b>EXT:</b> external	<b>LPG:</b> Liquefied Petroleum Gas	<b>STD:</b> standard
<b>FH:</b> flat head	<b>NI:</b> nylon insert	<b>TAP:</b> self tapping
<b>GA:</b> gauge	<b>NPTF:</b> national pipe thread fine	<b>TTH:</b> torx truss head
<b>HD:</b> heavy-duty	<b>PFH:</b> phillips flat head	
<b>HF:</b> hex flange	<b>PPH:</b> phillips pan head	
<b>HH:</b> hex head	<b>PPHTF:</b> phillips pan head thread forming	
<b>HHF:</b> hex head flange	<b>PRH:</b> phillips round head	
<b>HHFTF:</b> hex head flange thread forming	<b>PTH:</b> phillips truss head	
<b>HJ:</b> hex jam		

# Contents

Upper Shaft, Handle and Powerhead Assembly .....	4
Powerhead Assembly No. 308466015 .....	6
Attachments and Accessories .....	8

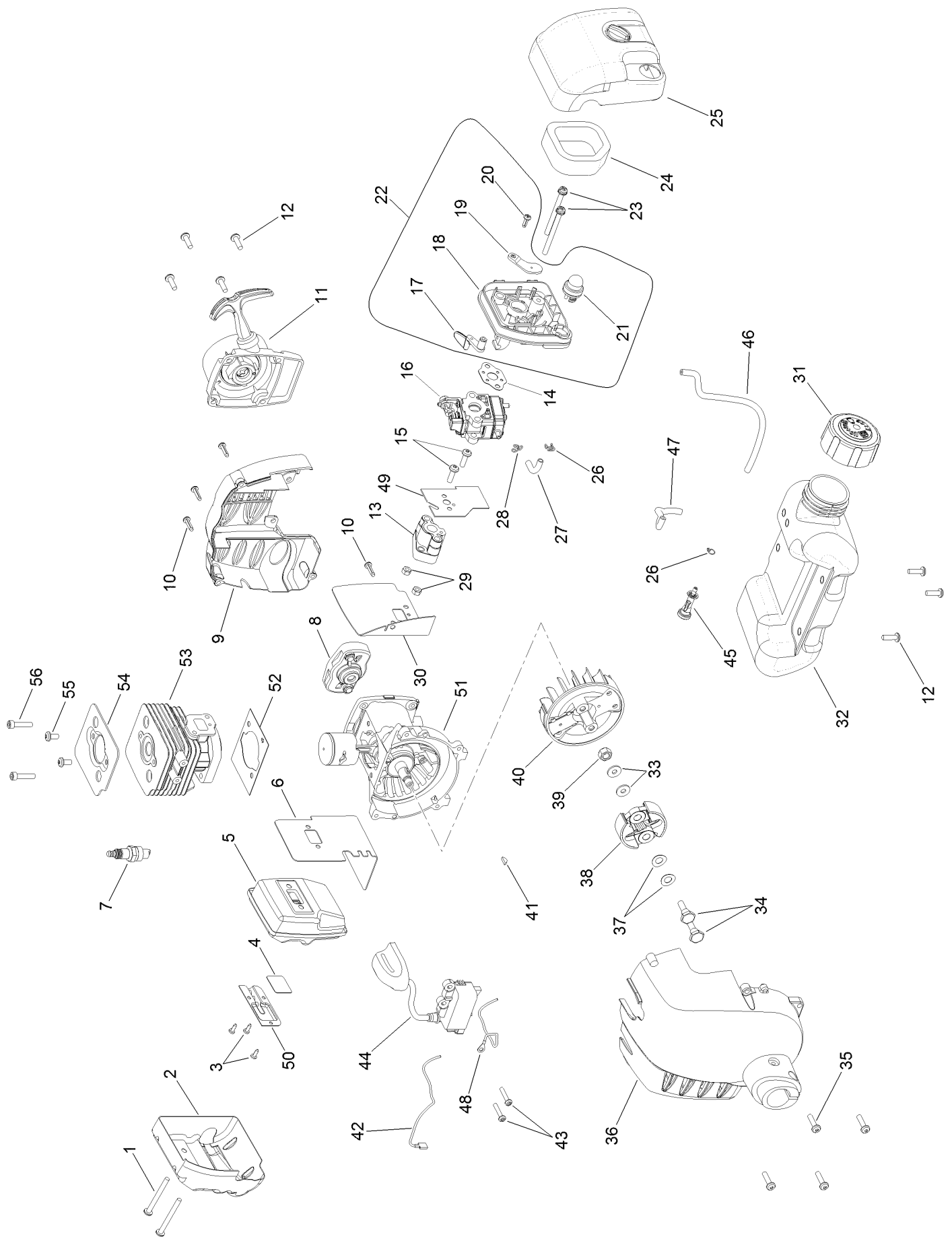
# Upper Shaft, Handle and Powerhead Assembly



# Upper Shaft, Handle and Powerhead Assembly (continued)

<i>Ref.</i>	<i>Part Number</i>	<i>Qty.</i>	<i>Description</i>	<i>Ref.</i>	<i>Part Number</i>	<i>Qty.</i>	<i>Description</i>
1	678906001	1	Spring-Compression	17	983619015	1	Nut-Hex
2	940865001	1	Plate-Logo	18	638133001	1	Clamp-Cable, Throttle
3	940686099	1	Label-Start, Lower	19	940864003	1	Label-On/Stop
4	308159013	1	Upper Shaft ASM	20	940657034	1	Label-Warning
5	518122001	1	Support-Handle, Rear	21	000998535	1	Handle-Front
6	518125001	1	Button-Off, Lock	22	660653005	2	Screw
7	690694002	1	Spring-Trigger	23	518038001	1	Clamp-M
8	518124001	1	Trigger	24	660637002	2	Screw
9	760700001	1	Switch-On/Stop	25	518020001	1	Clamp
10	308863029	1	Lead	26	678106001	2	Nut-Hex
11	308225003	1	Cable-Throttle	27	308056003	1	Front Handle ASM
12	518210004	1	Tube-Corrugated	28	660734001	1	Screw
13	518123001	1	Cover-Handle, Rear	29	308466015	1	Powerhead ASM
14	660563002	6	Screw	30	638010001	1	Clamp-Boom
15	660669001	1	Screw-PPH	31	308045004	1	Knob
16	T660697001	1	Screw				

# Powerhead Assembly No. 308466015



## Powerhead Assembly No. 308466015 (continued)

<i>Ref.</i>	<i>Part Number</i>	<i>Qty.</i>	<i>Description</i>	<i>Ref.</i>	<i>Part Number</i>	<i>Qty.</i>	<i>Description</i>
1	660347001	2	Screw-Pan HD	29	690840001	2	Nut
2	638027002	1	Shield-Heat	30	900711008	1	Gasket-Insulator
3	660870001	3	Screw-Pan HD	31	310816005	1	Cap-Fuel
4	638268001	1	Screen	32	308675054	1	Fuel Tank ASM
5	300748021	1	Muffler ASM	33	690695001	2	Washer
6	630002006	1	Gasket-Muffler	34	660353001	2	Screw-Clutch
7	870170001	1	Spark Plug	35	660344001	4	Screw-Pan HD
8	308004001	1	Pulley ASM	36	300754023	1	Front Housing ASM
9	590470001	1	Housing-Engine, Rear	37	690696001	2	Washer-Curved
10	660563001	4	Screw	38	300756007	1	Clutch ASM
11	308430001	1	Recoil Starter ASM	39	690689001	1	Nut-Rotor
12	660351001	7	Screw-Pan HD	40	640574002	1	Rotor
13	518329001	1	Insulator-Dam, Heat	41	690688001	1	Key-Woodruff
14	900711003	1	Gasket-Carburetor	42	290143001	1	Wire-Lead, Black
15	660344003	2	Screw-Pan HD	43	660349001	2	Screw-Pan HD
16	308480001	1	Carburetor ASM	44	290178020	1	Coil-Boot ASM
17	590458001	1	Lever-Choke	45	310976001	1	Filter-Fuel
18	518130001	1	Plate-Carburetor	46	562967008	1	Hose-Fuel
19	590946001	1	Plate-Choke	47	570373010	1	Hose-Fuel
20	660345001	1	Screw-Pan HD	48	290143002	1	Wire-Lead, Red
21	300780002	1	Primer ASM	49	901697001	1	Gasket
22	308478004	1	Filter Housing ASM	50	638267001	1	Cover-Trimmed
23	660346001	2	Screw-Pan HD	51	300749005	1	Crankcase ASM
24	560873001	1	Element	52	900709005	1	Gasket
25	308207004	1	Cover ASM	53	640570016	1	Cylinder
26	690699001	1	Clip-Hose	54	630002021	1	Plate-Cylinder
27	570373002	1	Line-Fuel, 45Mm	55	660351002	2	Screw-Pan Head, Torx
28	690700001	1	Clip-Hose	56	660342001	2	Screw-Socket Head

# Attachments and Accessories

## For 51947 25cc Power Head

Product Name	Model/Part
Spark Arrestor Kit .....	000998216
High Altitude Kit .....	120900107

**Notes:**

**Notes:**

**Notes:**



**Count on it.**