



Count on it.

Parts Catalog

GrandStand® Mower

With 60in TURBO FORCE® Cutting Unit

Model No. 74583—Serial No. 312000001 and Up



Ordering Replacement Parts

To order replacement parts, please supply the part number, the quantity, and the description of each part desired.

Understanding Reference Numbers

Each identified part in an illustration has a reference number. The reference number for a part also appears in the parts list, along with other information about the part.

This catalog uses two special reference number formats, one to indicate parts in a service assembly and another to indicate the quantity of a given part in an illustration.

Service Assembly Reference Numbers

Parts in service assemblies have reference numbers in the form a:b. The a represents the reference number of the entire service assembly and the b represents a sequential number unique to each part within the service assembly.

For example, a wheel assembly might be identified by reference number 6, the tire by 6:1, the valve by 6:2, and the wheel by 6:3. When you order the assembly identified by reference number 6, you receive all parts identified by reference numbers 6:1, 6:2, and 6:3. However, you may also order any part individually. Reference numbers of this type appear in illustration and in parts lists.

Reference Numbers Indicating Quantity

In an illustration, if a reference number indicates more than one part, the reference number has the form nX y. The n represents the quantity of the part, the X is the multiplication symbol, and the y represents the reference number.

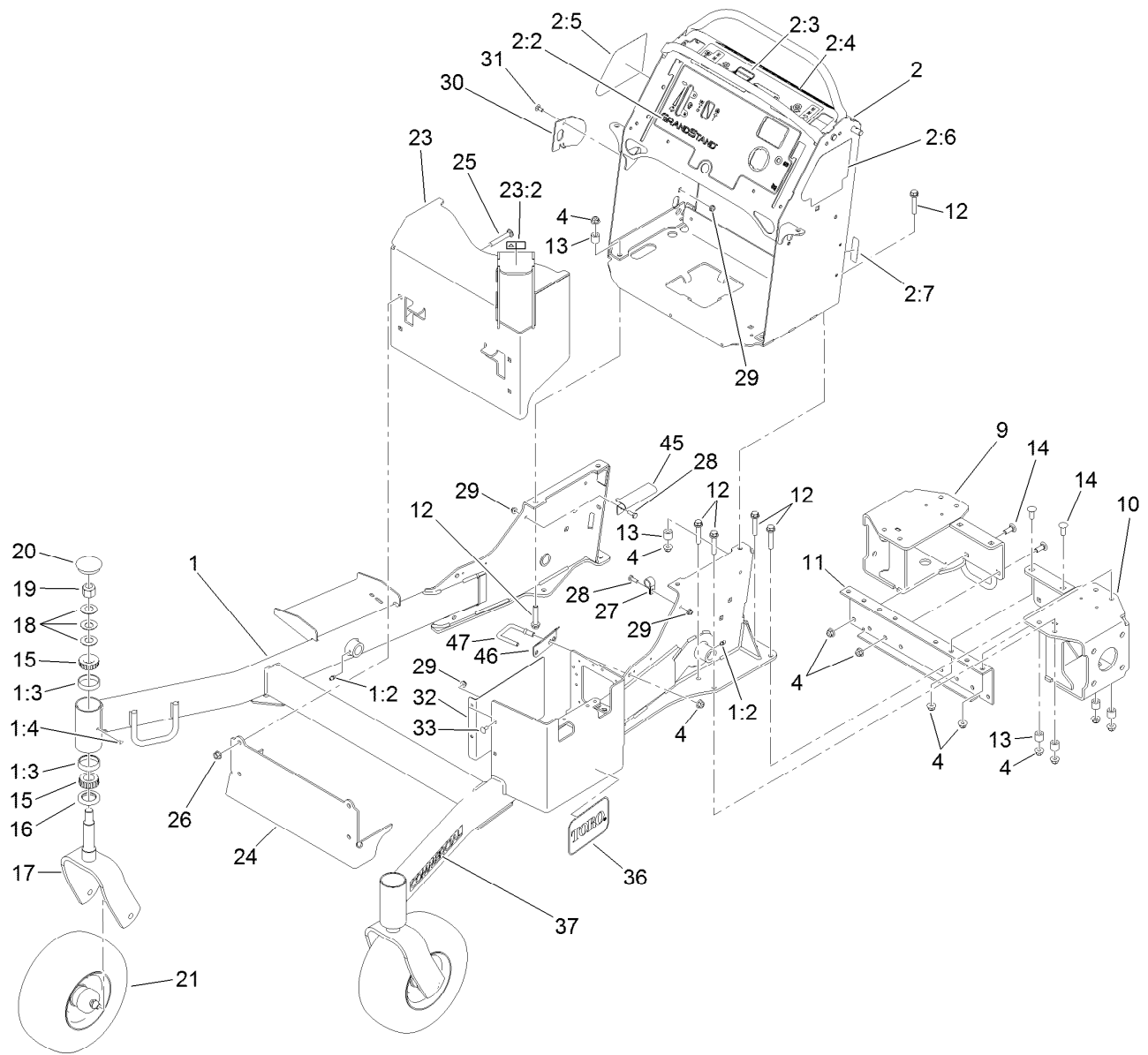
For example, in an illustration, the reference number 2X 37 means that two of the parts identified by reference number 37 are indicated.

List of Abbreviations

AR: as required	HLH: hex lag head	PTO: power-take-off
ASM: assembly	HOC: height-of-cut	RH: right hand
BBC: blade brake control	HSBH: hex socket button head	ROPS: roll-over protection system
BHTF: button head thread forming	HSFH: hex socket flat head	RRB: rear roller brush
CARR: carriage	HSH: hex socket head	SFH: slotted fillister head
CCW: counter clockwise	HWH: hex washer head	SHH: slotted hex head
CW: clockwise	HWHTF: hex washer head thread forming	SHWH: slotted hex washer head
DEG: degrees	HYD: hydraulic	SPH: slotted pan head
DPA: Dual Point Adjustment	LH: left hand	SQH: square head
ECM: electronic control module	LP: Liquefied Petroleum Gas	SRH: slotted round head
EXT: external	LPG: Liquefied Petroleum Gas	STD: standard
FH: flat head	NI: nylon insert	TAP: self tapping
GA: gauge	NPTF: national pipe thread fine	TTH: torx truss head
HD: heavy-duty	PFH: phillips flat head	
HF: hex flange	PPH: phillips pan head	
HH: hex head	PPHTF: phillips pan head thread forming	
HHF: hex head flange	PRH: phillips round head	
HHFTF: hex head flange thread forming	PTH: phillips truss head	
HJ: hex jam		

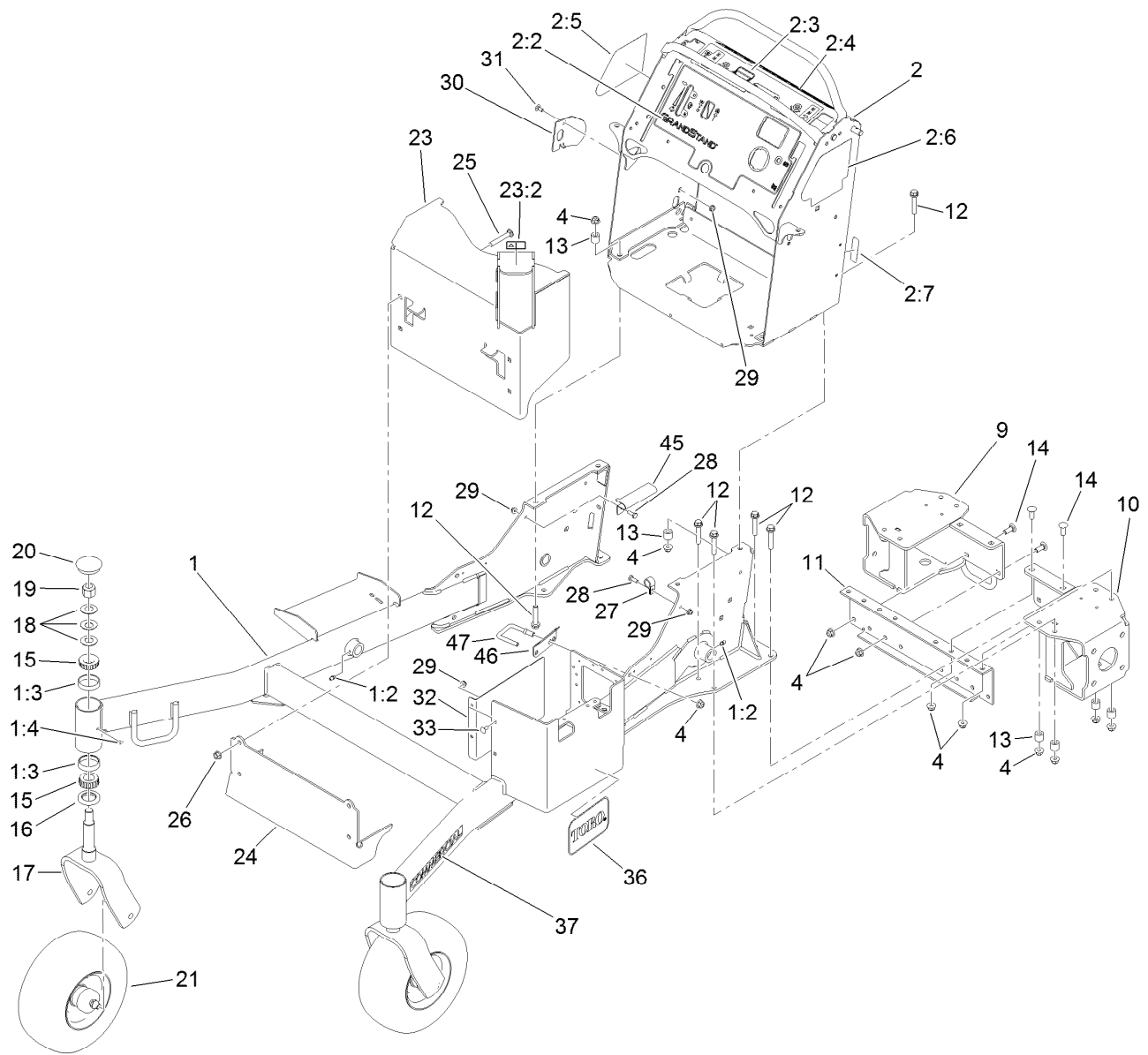
Contents

Frame Assembly.....	4
Wheel and Bearing Assembly No. 112-3810.....	6
Parking Brake Assembly.....	7
Decklift Assembly.....	8
Platform Assembly.....	10
Cushion Assembly No. 119-8742.....	11
Platform Assembly No. 117-9640.....	12
Ground Drive Assembly.....	13
Hydraulic Motor Assembly No. 114-0549.....	14
Pump Idler Assembly.....	15
Hydraulic System Assembly.....	16
Hydraulic Pump Assembly No. 119-7375.....	17
Control Assembly.....	18
Fuel Tank Assembly.....	19
Vent Hose Assembly.....	20
Electrical Assembly.....	21
Engine Assembly.....	23
Deck Assembly.....	24
Deck Decal Assembly No. 120-6414.....	25
Right Hand Idler Assembly No. 121-5970.....	26
Left Hand Idler Assembly No. 121-5965.....	27
Spindle Assembly No. 119-8560.....	28
Deflector Assembly No. 121-5960.....	29
Attachments and Accessories.....	30



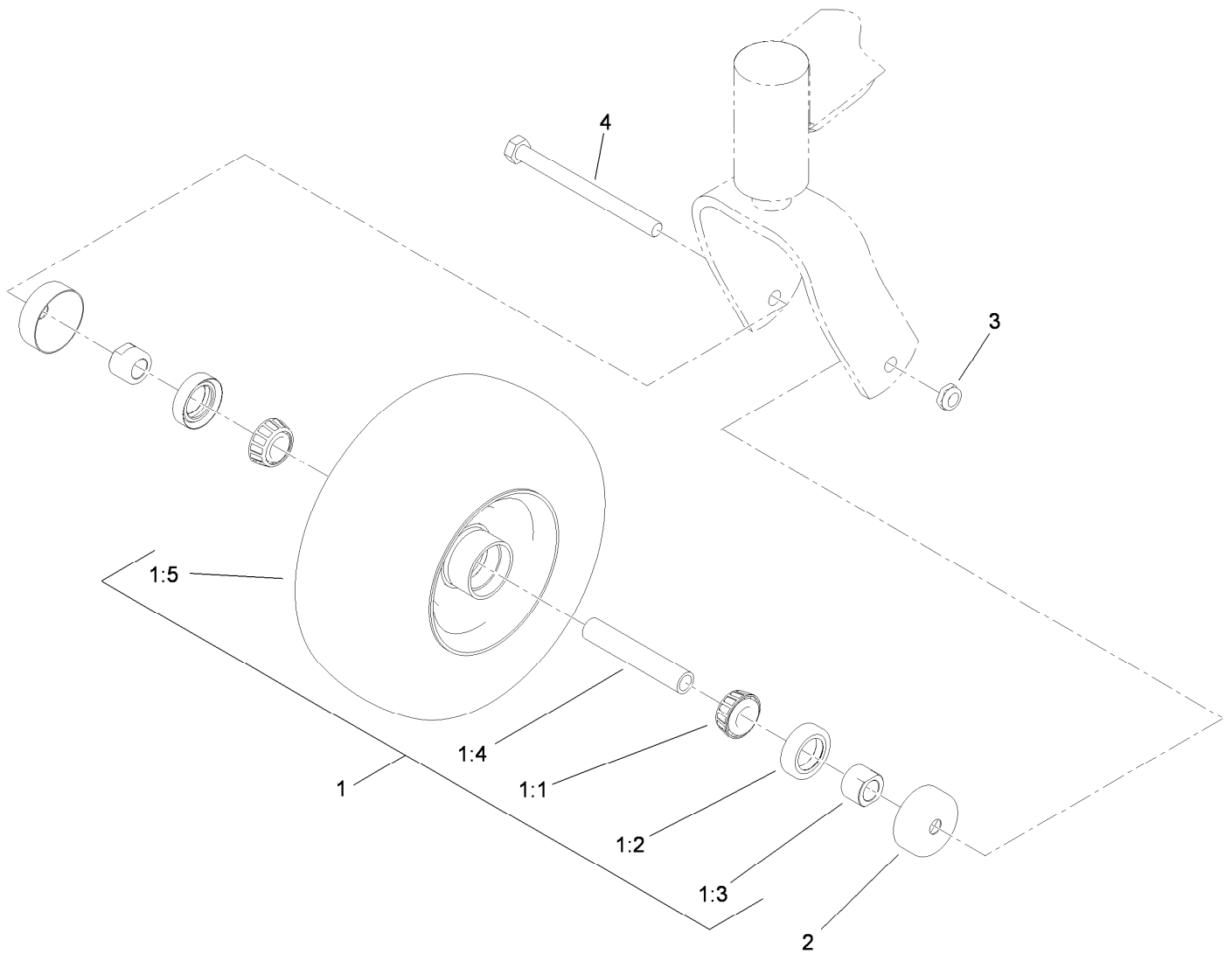
Frame Assembly

Ref.	Part Number	Qty.	Description	Ref.	Part Number	Qty.	Description
1	121-5995	1	Front Frame ASM	18	1-633508	6	Washer-Bellville
1:2	302-5	4	Fitting-Grease	19	3296-51	2	Nut-Lock, NI
1:3	1-543508	4	Cup-Bearing	20	103-4882	2	Cap-Grease
1:4	1-811010	2	Plug	21	112-3810	2	Wheel/Tire And Bearing ASM
2	121-5950	1	Control Tower ASM	23	116-2490	1	Muffler Guard ASM
2:2	120-6497	1	Decal-Control Panel, Efi	23:2	106-5517	1	Decal-Warning, Hot Surface
2:3	119-8727	1	Decal-Opc	24	116-3113-01	1	Panel-Guard
2:4	117-3626	1	Decal-Warning	25	3231-31	4	Screw-CARR
2:5	117-0456	1	Decal-HOC	26	32128-21	4	Nut-HF
2:6	121-5972	1	Decal-Aid, Service	27	2412-87	1	Clamp-Cable
2:7	116-3267	1	Decal-Fuse	28	321-4	2	Screw-HH
4	104-8301	22	Nut-Flange, NI	29	104-7201	5	Nut-HF
9	119-7222-01	1	RH Motor Mount ASM	30	119-7312	1	Plate-Striker
10	119-7220-01	1	LH Motor Mount ASM	31	3229-11	1	Screw-CARR
11	119-7224-01	1	Mount-Motor, Center	32	121-7489-01	1	Shield-Heat
12	108-3742	12	Screw-HHF	33	3229-11	2	Screw-CARR
13	121-1760	12	Spacer	36	68-3640	1	Decal
14	3231-22	8	Screw-CARR	37	117-3591	2	Decal-Commercial
15	1-543509	4	Bearing-Roller, Tapered	45	116-5067	1	Bracket-Hose, Fuel (Double)
16	1-543511	2	Seal-Grease				
17	103-8618-01	2	Fork-Caster				



Frame Assembly (continued)

Ref.	Part Number	Qty.	Description
46	121-6003	2	Guard-Hose
47	121-6004	2	Guide-Hose

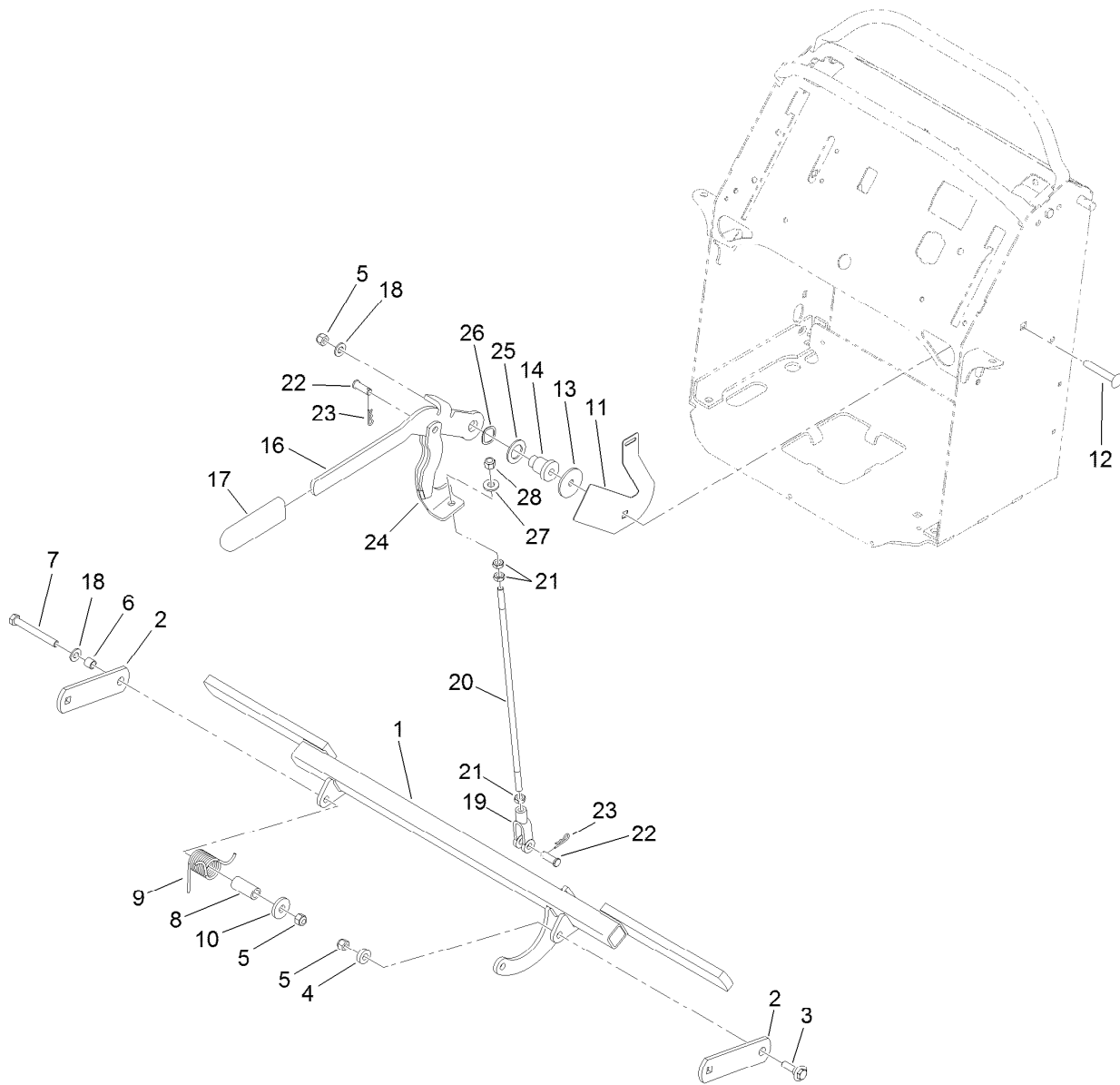


Wheel and Bearing Assembly No. 112-3810

Ref.	Part Number	Qty.	Description
1		1	Wheel And Bearing ASM ●
1:1	1-633585	2	Bearing-Cone, Taper
1:2	103-0063	2	Seal-Caster
1:3	103-3051	2	Spacer-Nut ■
1:4	103-3157	1	Axle-Caster
1:5	110-9965	1	Wheel And Tire ASM
2	103-2768	2	Guard-Seal
3	3296-45	1	Nut-Lock, NI
4	325-20	1	Screw-HH

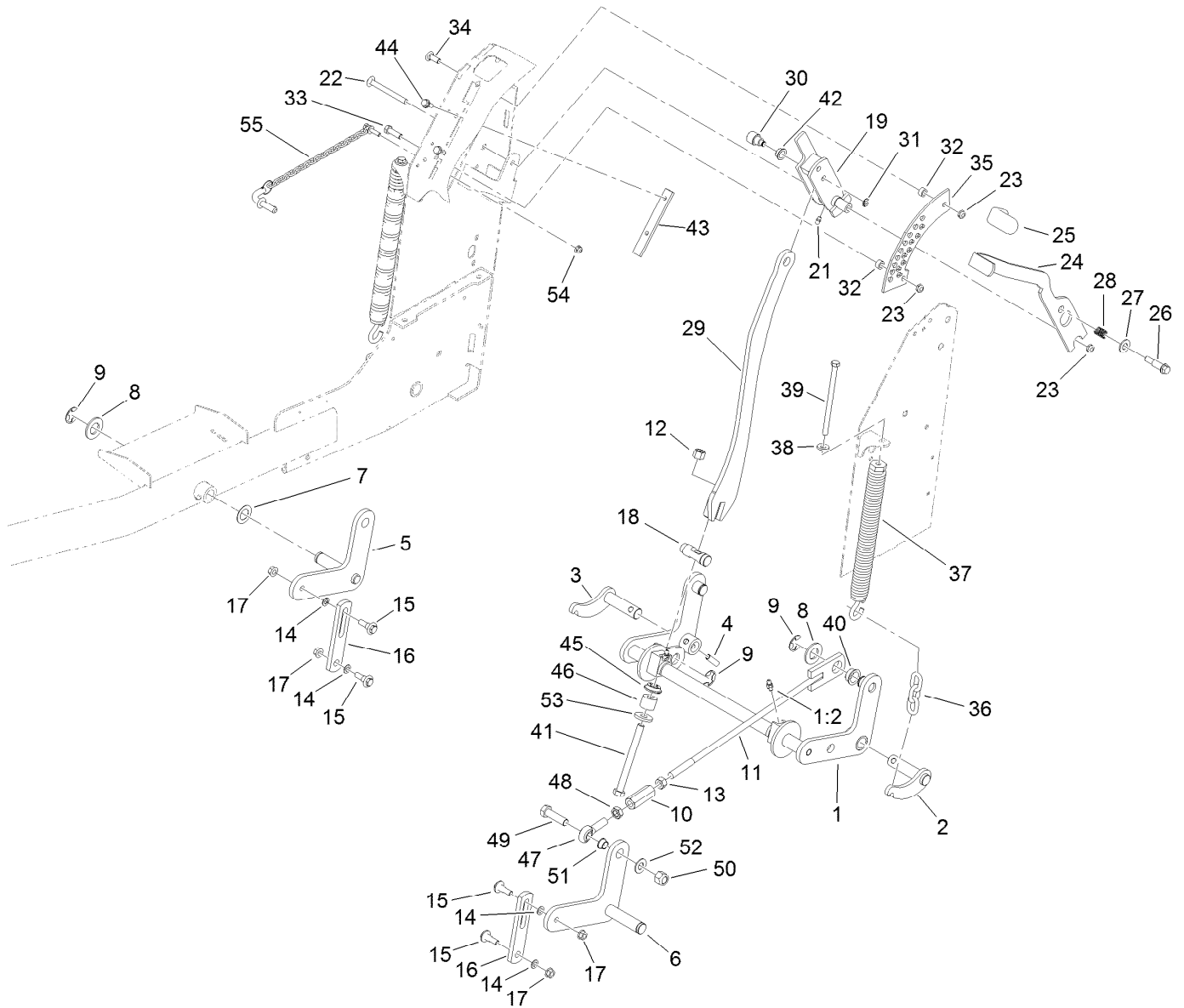
● Not serviced separately

■ Use Pro-Lock, Nut Type (P/N 1-840022, .5ml tube) on spacer nut



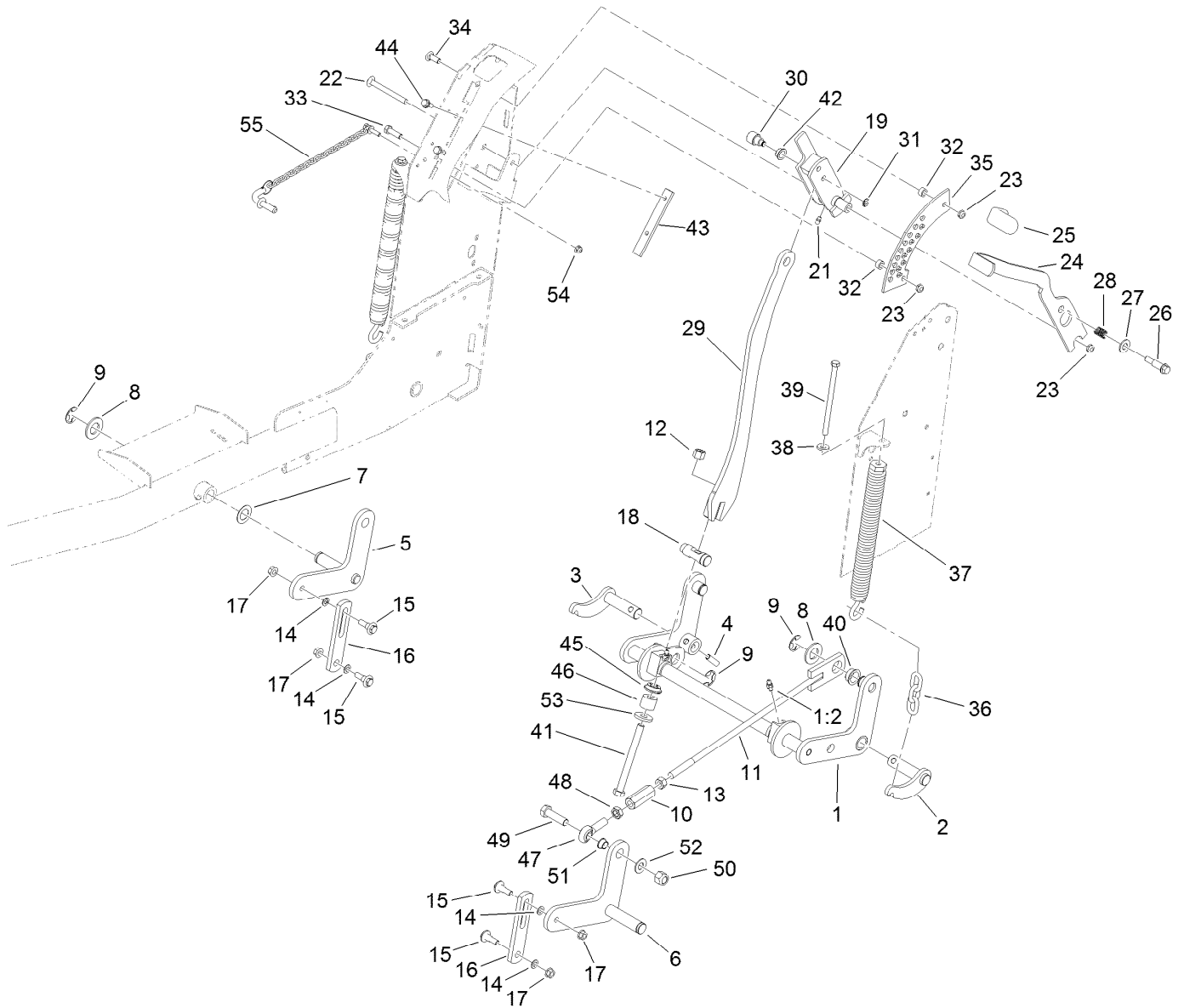
Parking Brake Assembly

Ref.	Part Number	Qty.	Description	Ref.	Part Number	Qty.	Description
1	119-8730-03	1	Brake Bar ASM	16	117-5759-03	1	Lever-Brake
2	114-5186-01	2	Support-Brake	17	1-633268	1	Grip-Lever
3	614672	1	Bolt-Shoulder	18	3256-24	2	Washer-Flat
4	5-0652	1	Spacer	19	1-633131	1	Yoke-Linkage, Brake
5	104-8301	3	Nut-Flange, NI	20	119-7244	1	Rod-Brake
6	117-9684	1	Spacer	21	3220-3	3	Nut-HJ
7	323-20	1	Screw-HH	22	283-2	2	Pin-Clevis
8	117-9683	1	Spacer	23	3290-307	2	Pin-Hair
9	117-9682	1	Spring-Torsion	24	119-8780-03	1	Brake Arm ASM
10	1-373034	1	Washer	25	1-303007	1	Washer
11	117-0452-03	1	Plate-Switch, Brake	26	106-5335	1	Washer-Wave
12	3231-44	1	Screw-CARR	27	98-5975	1	Washer-Belleville
13	63-7400	1	Washer-Rebound	28	3296-6	1	Nut-Lock
14	106-3214	1	Mount-Pulley				



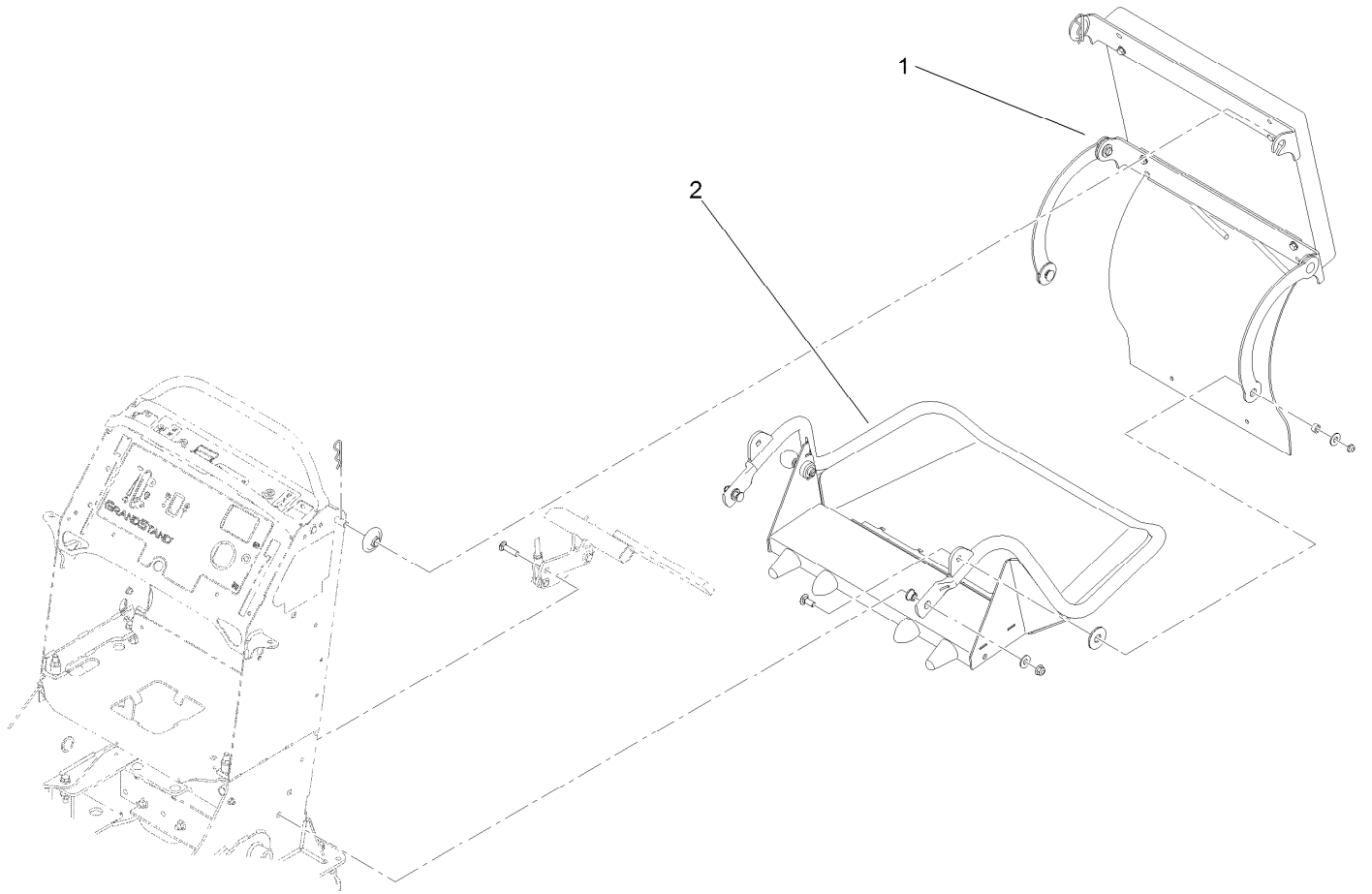
Decklift Assembly

Ref.	Part Number	Qty.	Description	Ref.	Part Number	Qty.	Description
1	116-3103	1	Rear Crossshaft ASM	22	3231-24	1	Screw-CARR
1:2	302-11	2	Fitting-Lube, 45 DEG	23	3296-59	3	Nut-Lock, NI
2	116-3104-01	1	LH Pivot Shaft ASM	24	114-1878-03	1	Lever-HOC
3	116-3105-01	1	RH Pivot Shaft ASM	25	1-633268	1	Grip-Lever
4	116-3107	2	Pin-Spiral	26	66-0561	1	Screw-Shoulder
5	119-7301-01	1	RH Lift ASM	27	3256-26	1	Washer-Flat
6	119-7302-01	1	LH Lift ASM	28	65-9940	1	Spring
7	110-6767	2	Washer-Thrust	29	116-2939	1	Bar-Lift
8	3256-29	4	Washer-Flat	30	116-3048	1	Hub-Pivot
9	32151-103	5	Ring-Retaining, EXT	31	32151-47	1	Ring-Retaining
10	119-7250	2	Link-Lift	32	111044	2	Spacer
11	119-7306	2	Lift Rod ASM	33	323-7	1	Screw-HH
12	3296-23	1	Nut-Lock, NI	34	3231-22	1	Screw-CARR
13	3217-9	2	Nut-HH	35	114-5307	1	Bracket-HOC
14	40-1940	4	Washer	36	103-9859	2	Chain-Decklift, Front
15	109-9840	4	Screw-Shoulder, HHF	37	116-0886	2	Extension Spring ASM
16	117-0519	2	Link-Lift	38	98-5975	2	Washer-Belleville
17	32128-21	4	Nut-HF	39	323-58	2	Bolt-TAP, HH
18	114-5274	1	Pin-HOC	40	116-2909	2	Bearing-Flange
19	114-3512	1	HOC Handle ASM	41	325-22	1	Screw-HH
21	302-5	1	Fitting-Grease	42	116-3047	1	Bearing-Flange



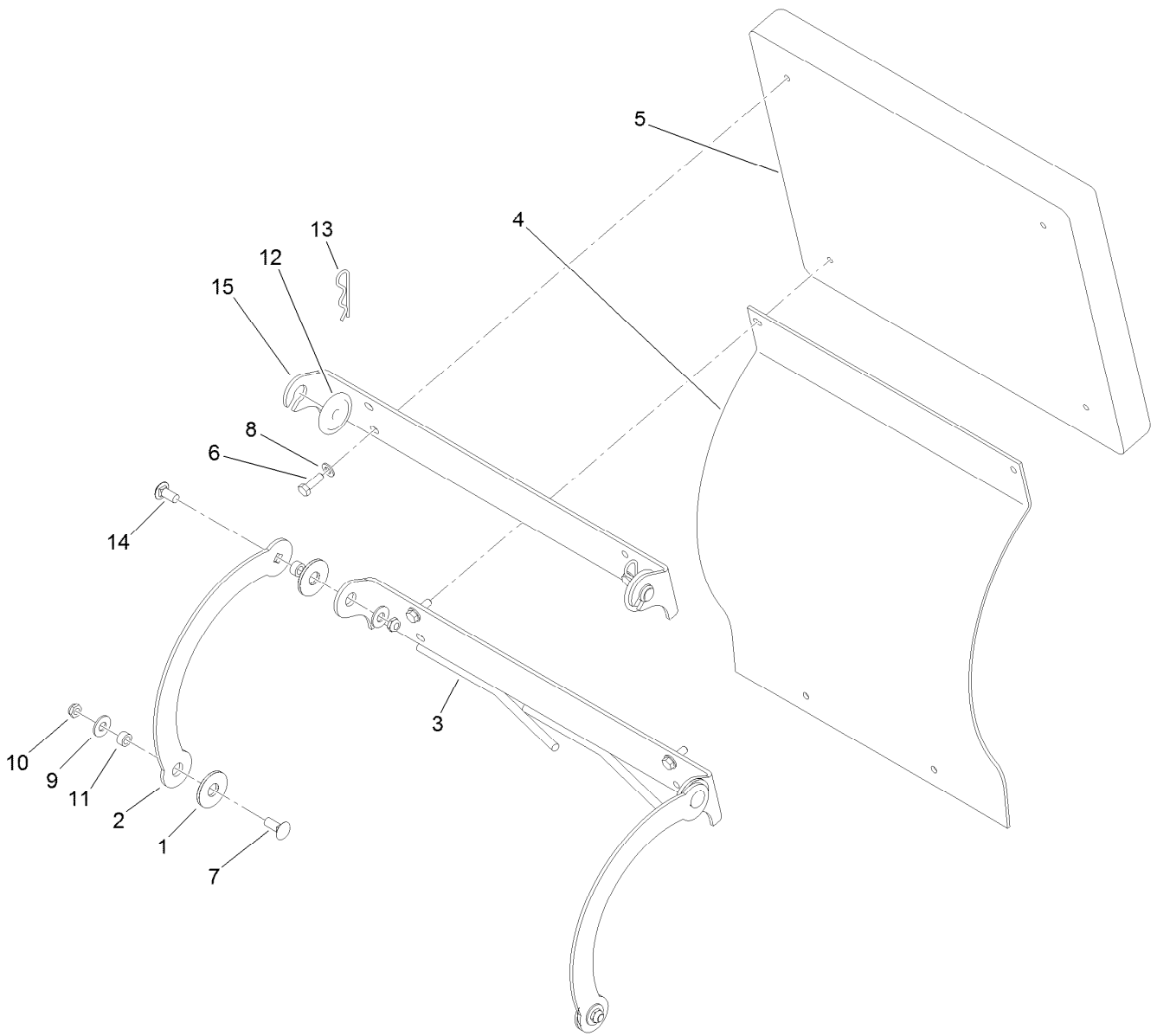
Decklift Assembly (continued)

<i>Ref.</i>	<i>Part Number</i>	<i>Qty.</i>	<i>Description</i>	<i>Ref.</i>	<i>Part Number</i>	<i>Qty.</i>	<i>Description</i>
43	116-3124	1	Skid-Handle, Lift	50	3296-53	2	Nut-Lock, NI
44	32144-11	2	Screw-HWHTF	51	80-1290	2	Bushing
45	116-3625	1	Seat-Spring	52	3256-27	2	Washer-Flat
46	116-3241	1	Spring-Urethane	53	92-2651	1	Washer
47	117-5291	2	Balljoint-Spherical	54	104-7201	1	Nut-HF
48	117-5293	2	Nut-Jam	55	114-0409	1	HOC Pin ASM
49	327-22	2	Screw-HH				



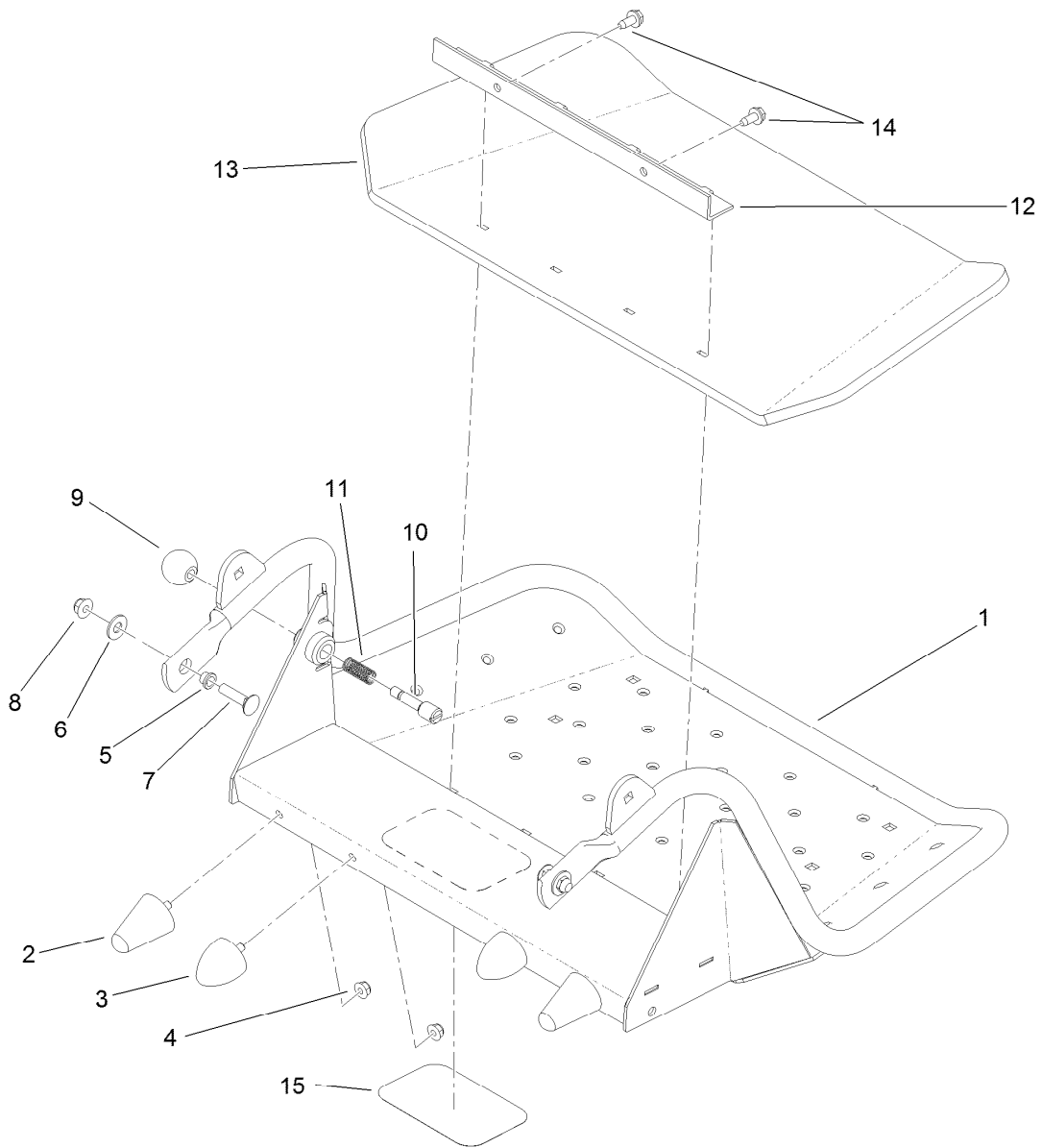
Platform Assembly

<i>Ref.</i>	<i>Part Number</i>	<i>Qty.</i>	<i>Description</i>
1	119-8742	1	Cushion ASM
2	117-9640	1	Platform ASM



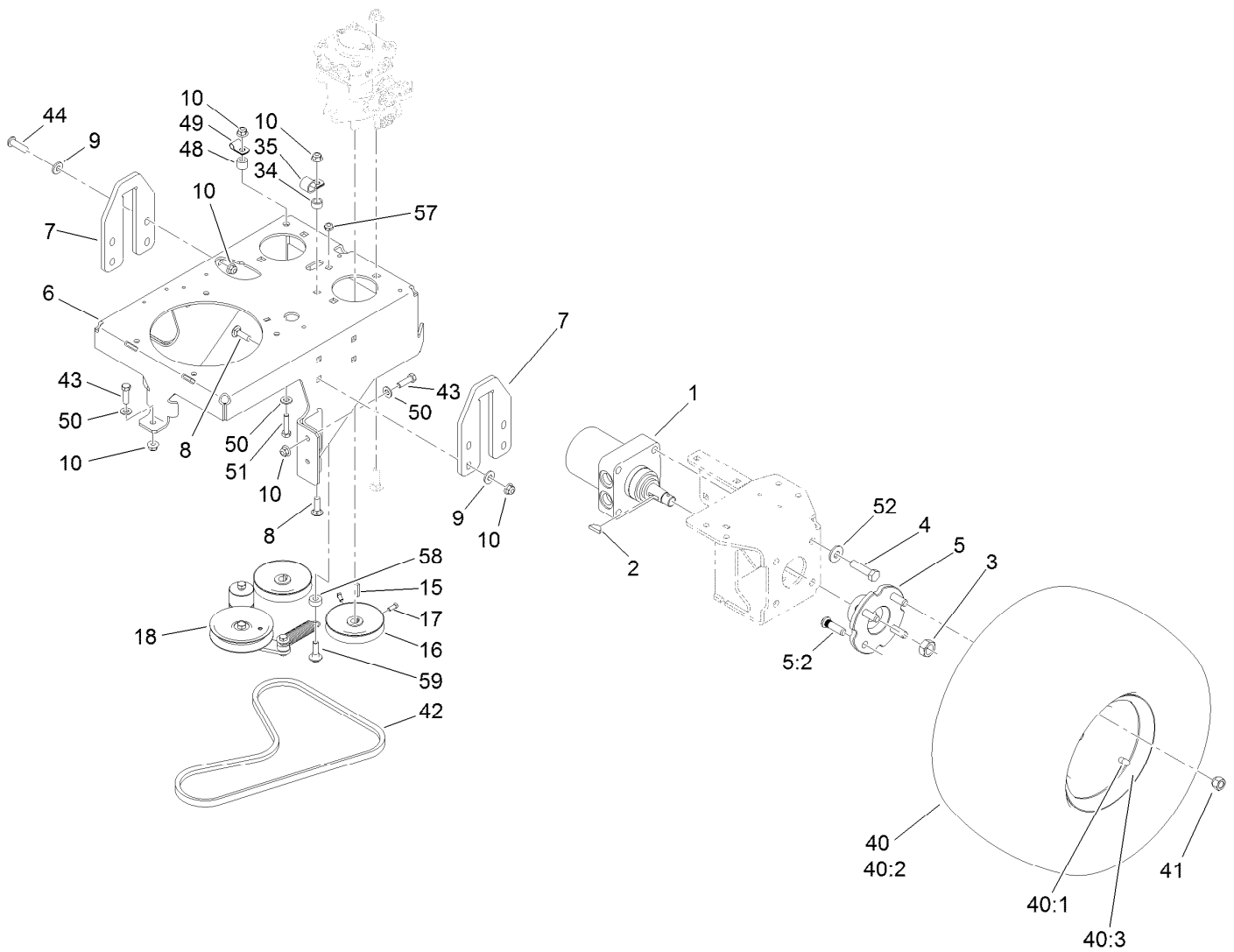
Cushion Assembly No. 119-8742

Ref.	Part Number	Qty.	Description
1	114-0463	4	Washer-Friction, Composite
2	114-1915-01	2	Link-Pad
3	119-7369-03	1	Lower Hinge ASM
4	114-1919	1	Shield-Rear
5	117-9739	1	Pad-Cushion
6	116-0648	4	Screw-HH, Thread Locking
7	3231-2	2	Bolt-CARR
8	3256-23	4	Washer-Flat
9	3256-4	4	Washer-Flat
10	3296-59	4	Nut-Lock, NI
11	111044	4	Spacer
12	116-2886	2	Slide-Bushing
13	3290-355	2	Pin-Hair
14	3231-27	2	Screw-CARR
15	116-2757-03	1	Hinge-Pad



Platform Assembly No. 117-9640

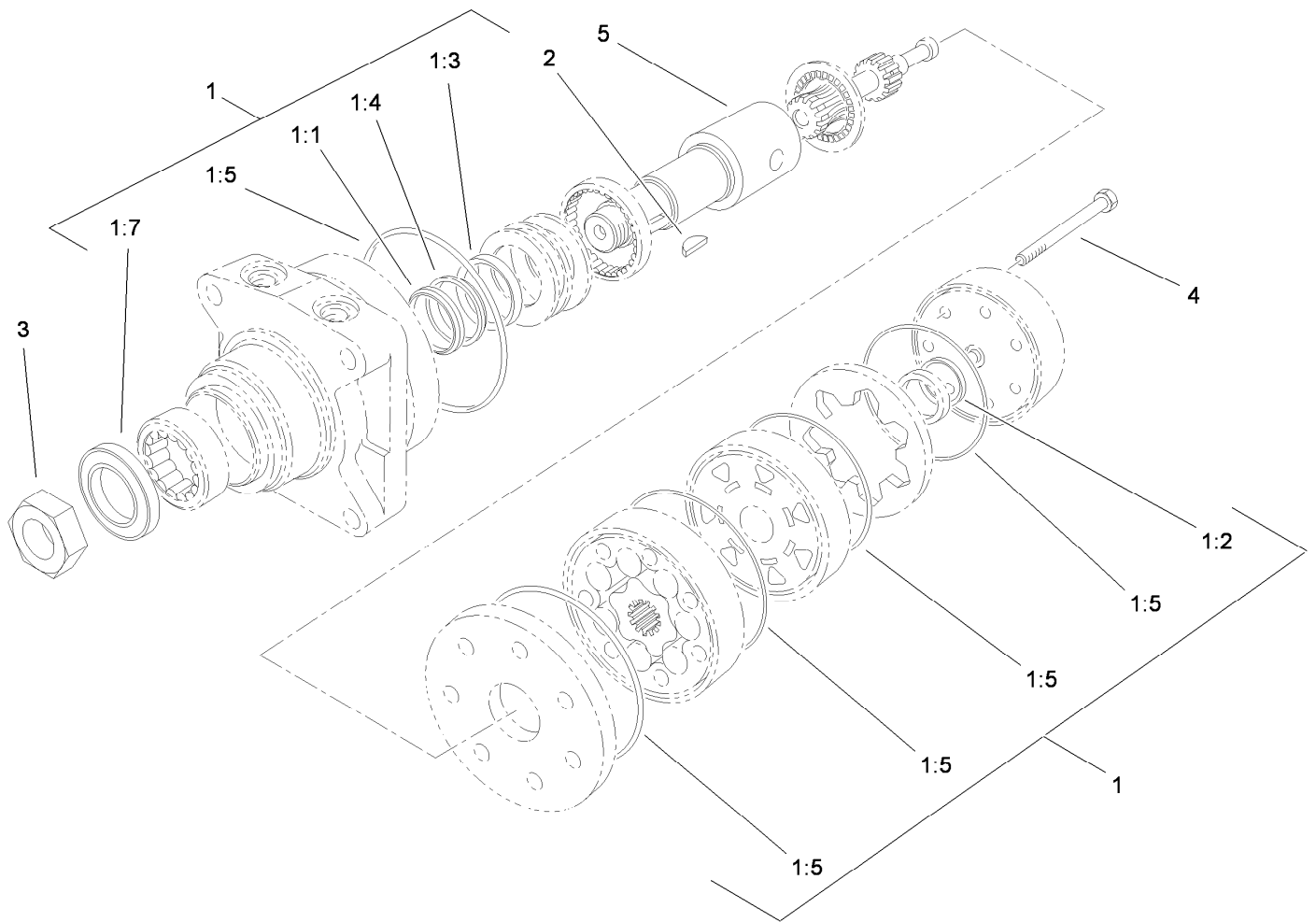
<i>Ref.</i>	<i>Part Number</i>	<i>Qty.</i>	<i>Description</i>
1	117-9641-01	1	Platform ASM
2	114-1925	2	Bumper-Rubber
3	114-1926	2	Bumper-Rubber
4	104-8300	4	Nut-Flange, NI
5	109-8788	2	Bushing-Flanged
6	3256-4	2	Washer-Flat
7	3231-4	2	Screw-CARR
8	104-8301	2	Nut-Flange, NI
9	1-603175	1	Knob-Ball
10	119-8650	1	Pin-Latch
11	114-5348	1	Spring
12	114-1920-03	1	Clamp-Shield
13	114-5349	1	Mat-Foot
14	32144-70	2	Screw-HWHTF
15	68-3640	1	Decal



Ground Drive Assembly

Ref.	Part Number	Qty.	Description	Ref.	Part Number	Qty.	Description
1	114-0549	2	HYD Motor ASM	40	120-6465	2	Wheel/Tire ASM
2	3257-8	2	Key-Woodruff	40:1	116-4605	1	Rim-8 Inch
3	85-7310	2	Nut-Motor, Wheel	40:2	120-6466	1	Tire
4	325-8	8	Screw-HH	40:3	232-27	1	Stem-Valve
5	105-0800	2	Wheel Hub ASM	41	242-50	8	Nut-Lug
5:2	10-6830	4	Stud-Type, Drive	42	114567	1	Belt-V, Lower PTO
6	120-6456-01	1	Base-Engine	43	3234-42	5	Screw-HHF
7	119-8662	2	Plate-Lift	44	3274-63	1	Screw-HSBH
8	3231-25	8	Bolt-CARR	48	121-1760	1	Spacer
9	98-5975	8	Washer-Belleville	49	116-3362	1	Clip-Tube
10	104-8301	15	Nut-Flange, NI	50	3256-24	1	Washer-Flat
15	1-807272	2	Key	51	323-8	1	Screw-HH
16	105-5648	2	Pulley-Pump	52	1-513435	8	Washer-Spring
17	3241-5	4	Screw-Set	57	3296-59	1	Nut-Lock, NI
18		1	Pump Idler ASM ●	58	104-8426	1	Spacer
34	1-653069	1	Spacer-Wheel	59	614672	1	Bolt-Shoulder
35	1-633396	1	Clip-Loom				

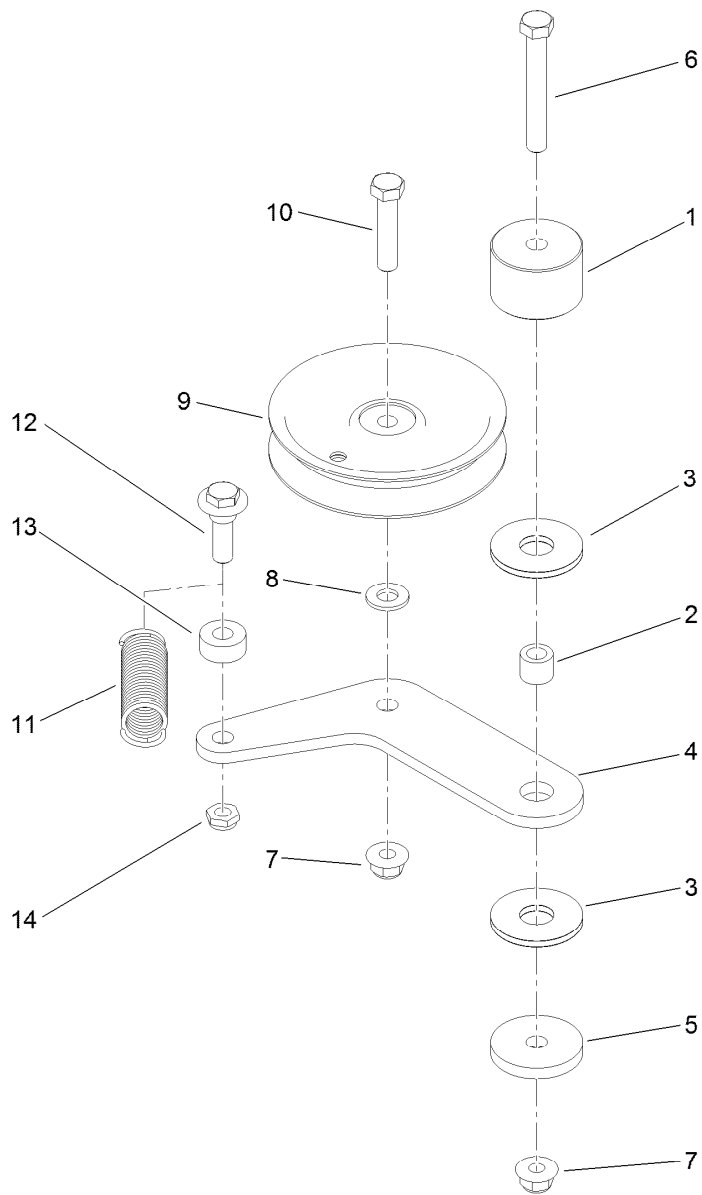
● Not serviced separately



Hydraulic Motor Assembly No. 114-0549

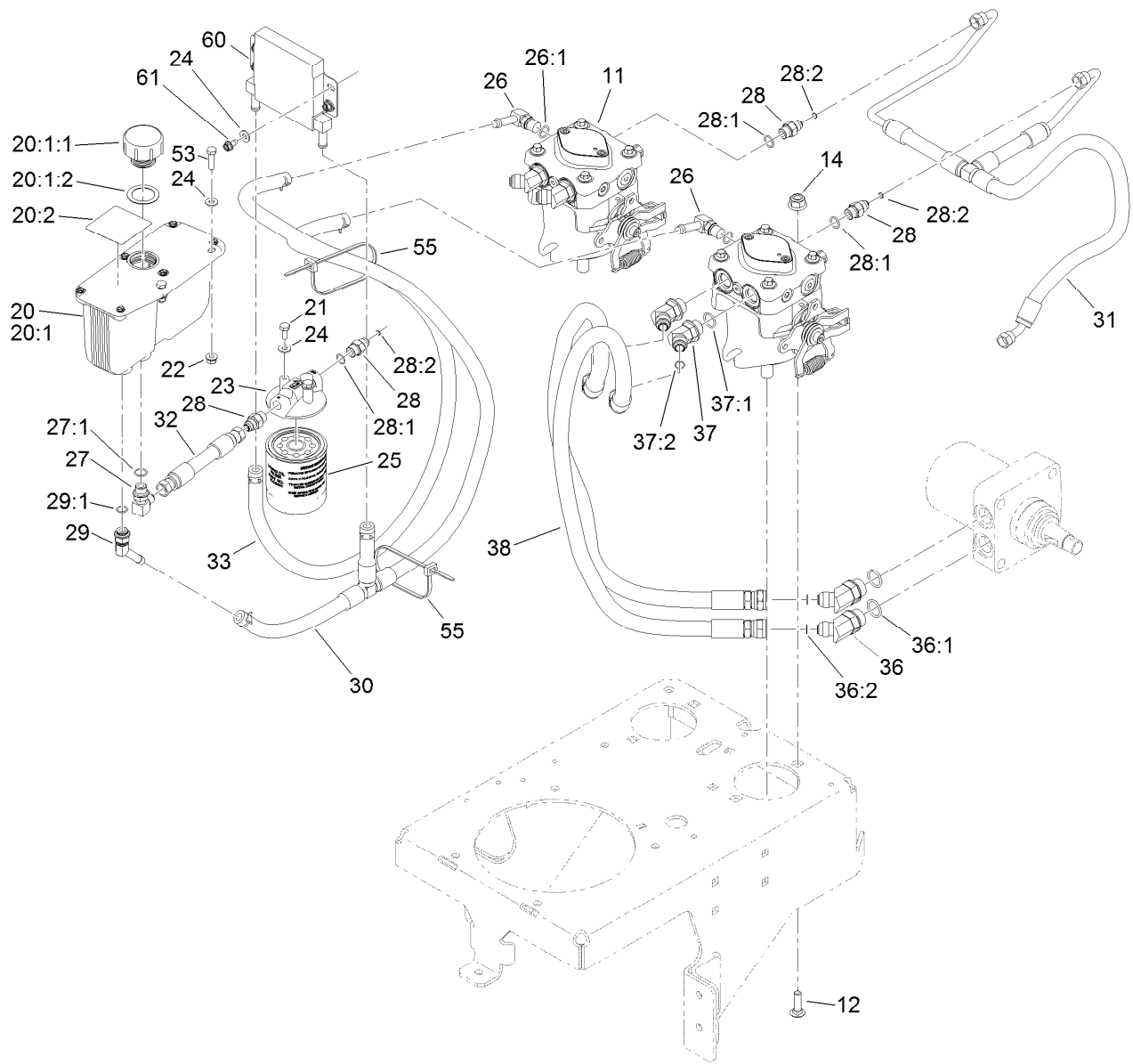
Ref.	Part Number	Qty.	Description
1	1-000119	1	Seal Kit
1:1		1	Ring-Back Up ●
1:2		1	Seal-Commutator ●
1:3		1	Seal-Shaft (Viton) ●
1:4		1	Washer-Back Up, Steel ●
1:5		5	Ring-Seal (Viton) ●
1:7		1	Seal-Dirt And Water ●
2	3257-8	1	Key-Woodruff
3	85-7310	1	Nut-Motor, Wheel
4	106-5549	6	Bolt-Special
5	106-8764	1	Shaft-Coupling

● Not serviced separately



Pump Idler Assembly

<i>Ref.</i>	<i>Part Number</i>	<i>Qty.</i>	<i>Description</i>
1	117-3568	1	Hub-Idler
2	1-413088	1	Bushing-Lever, Lift
3	114-0463	2	Washer-Friction, Composite
4	119-8737	1	Plate-Idler
5	110-9981	1	Washer-Plain
6	323-13	1	Screw-HH
7	104-8301	2	Nut-Flange, NI
8	3256-24	1	Washer-Flat
9	93-1622	1	Pulley-Idler
10	323-9	1	Screw-HH
11	108-4056	1	Spring-Extension
12	614672	1	Bolt-Shoulder
13	104-8426	1	Spacer
14	3296-59	1	Nut-Lock, NI



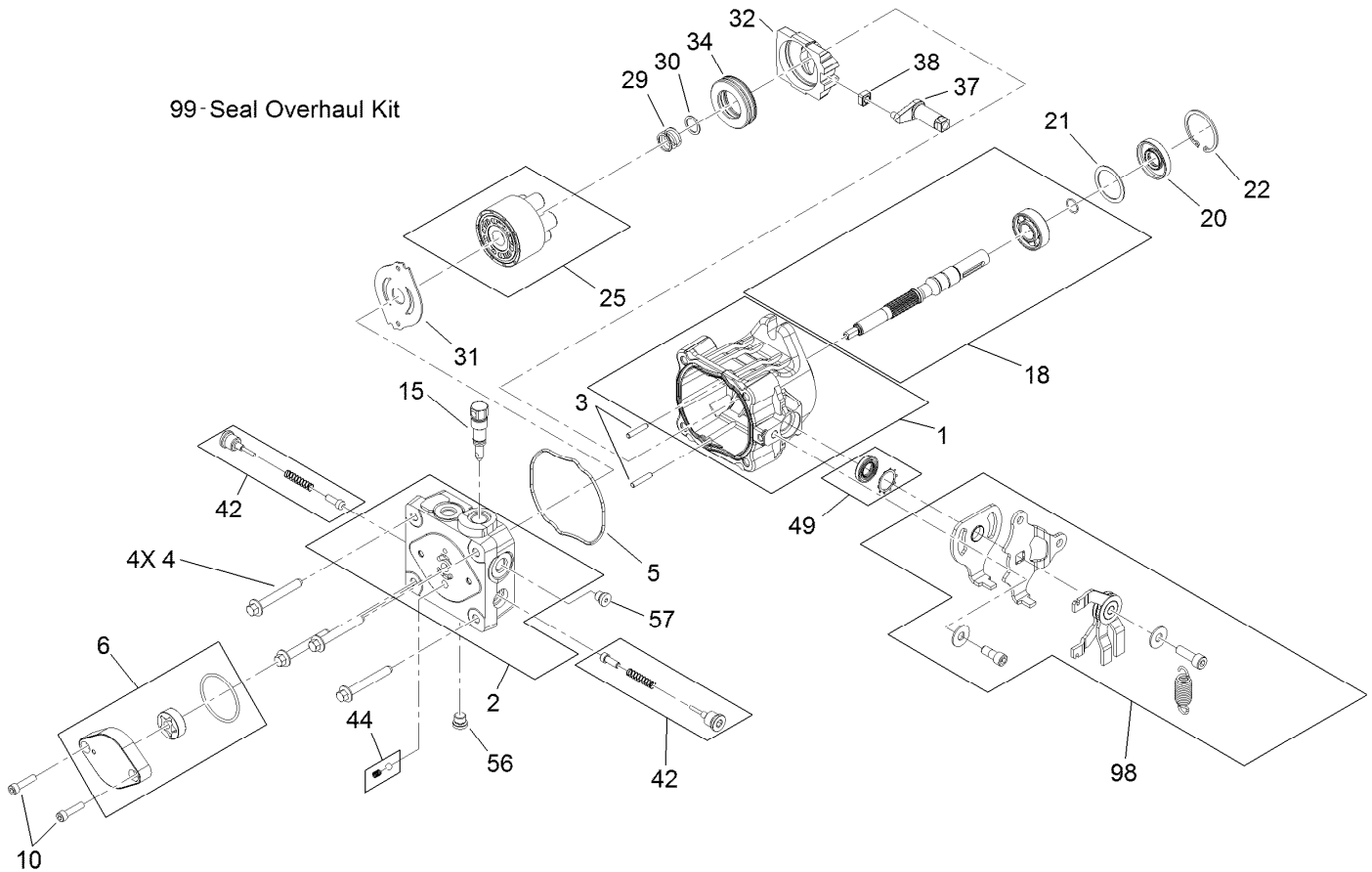
Hydraulic System Assembly

Ref.	Part Number	Qty.	Description
11	119-7375	2	Hydraulic Pump ASM
12	3232-3	4	Bolt-CARR
14	114-8417	4	Nut-HF, NI
20	107-8433	1	HYD Reservoir ASM
20:1		1	Reservoir-HYD ●
20:1:1	103-1948	1	Cap-Reservoir, HYD
20:1:2	103-1949	1	Gasket-Cap
20:2	115-4212	1	Decal-Warning
21	321-3	2	Screw-HH
22	32128-32	2	Nut-HHF
23	104-7836	1	Head-Filter
24	3256-22	8	Washer-Flat
25	114-3494	1	Element-Filter, 25 Micron
26	100-4887	2	Fitting-Barbed, 90 DEG
26:1	237-42	1	O-Ring
27	103-1802	1	Fitting-HYD, 90 DEG
27:1	1-603921	1	O-Ring
28	103-2156	4	Fitting-Straight
28:1	1-603921	1	O-Ring

Ref.	Part Number	Qty.	Description
28:2	103-1020	1	O-Ring
29	103-1807	1	Fitting-Barbed, 45 DEG
29:1	237-42	1	O-Ring
30	121-5981	1	Case Drain Hose ASM
31	121-5968	1	Charge Hose ASM
32	121-5983	1	HYD Hose ASM
33	121-5982	1	Case Drain Hose ASM
36	1-523222	4	Fitting-HYD, 45 DEG
36:1	1-603919	1	O-Ring
36:2	1-603992	1	O-Ring
37	1-523221	4	Fitting-HYD, 45 DEG
37:1	1-603920	1	O-Ring
37:2	1-603992	1	O-Ring
38	116-6902	4	HYD Hose ASM
53	321-6	2	Screw-HH
55	3290-378	2	Tie-Cable
60	116-7205	1	Cooler-Oil
61	32104-17	4	Screw-HWH

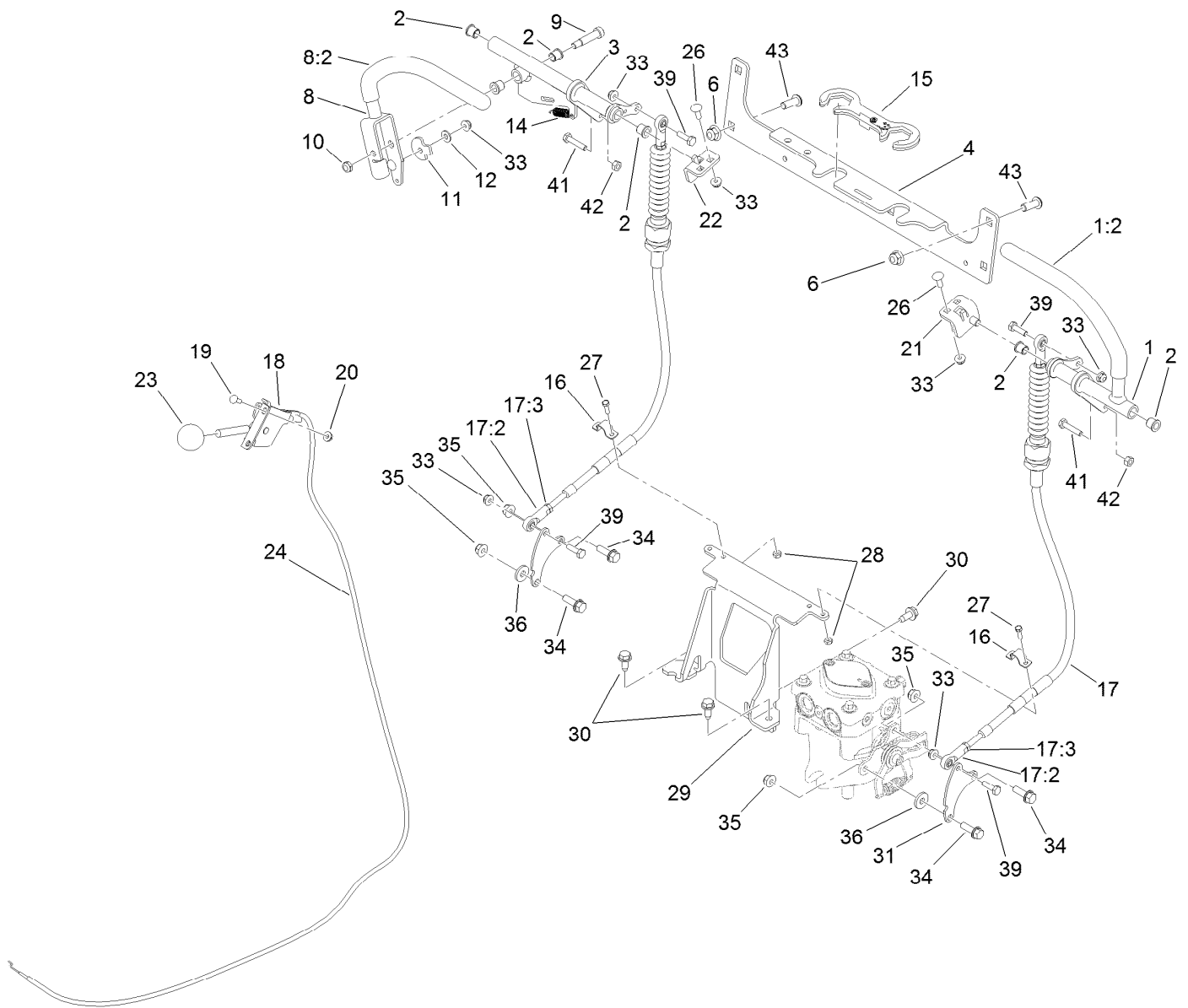
● Not serviced separately

99- Seal Overhaul Kit



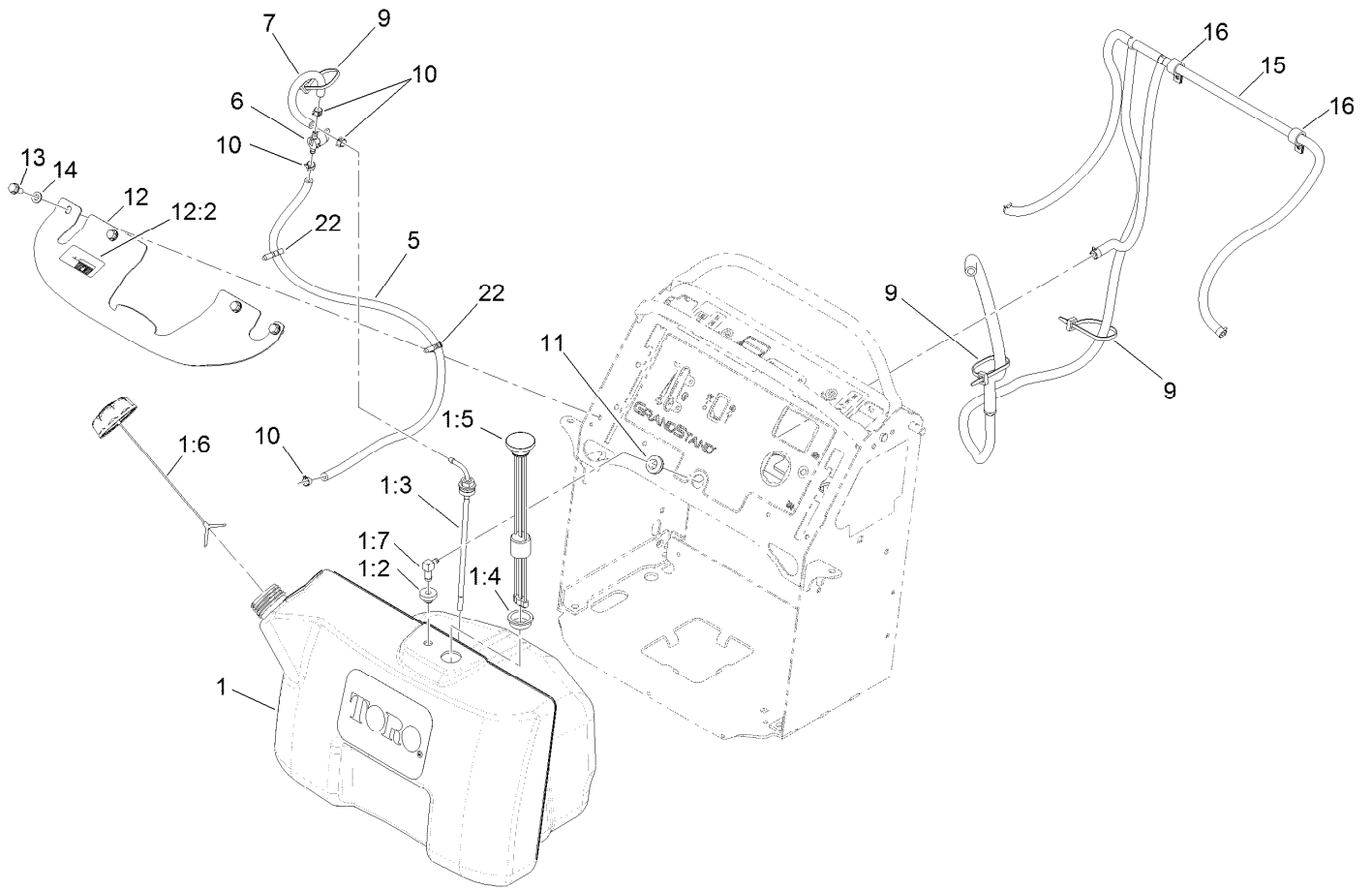
Hydraulic Pump Assembly No. 119-7375

Ref.	Part Number	Qty.	Description	Ref.	Part Number	Qty.	Description
1	115-4464	1	Housing Kit	30	94-1937	1	Washer-Thrust
2	106-8752	1	End Cap Kit (W/Poppets)	31	105-6185	1	Plate-Valve
3	106-8753	2	Pin-Headless, Straight	32	94-1907	1	Swashplate-Variable
4	106-8754	4	Bolt-HF	34	94-6922	1	Bearing-Thrust
5	106-8755	1	O-Ring	37	115-4458	1	Arm-Trunnion, Tapered Square
6	106-8756	1	Charge Pump Kit	38	94-1910	1	Guide-Slot
10	104-2111	2	Capscrew	42	98-3252	2	Valve-Check (W/Poppet)
15	106-8759	1	Bypass Valve Kit	44	106-8760	1	Charge Relief Valve Kit
18	103-2664	1	Input Shaft Kit	49	106-8761	1	Trunnion Seal / Retainer Kit
20	104-5310	1	Seal-Lip	56	106-8762	1	Plug-HSH
21	104-5308	1	Spacer	57	104-2189	1	Plug-Thread, Straight
22	104-5309	1	Ring-Retaining	98	115-4046	1	Return Kit
25	103-2666	1	Cylinder Block Kit	99	105-6184	1	Seal Overhaul Kit
29	94-1936	1	Spring-Block				



Control Assembly

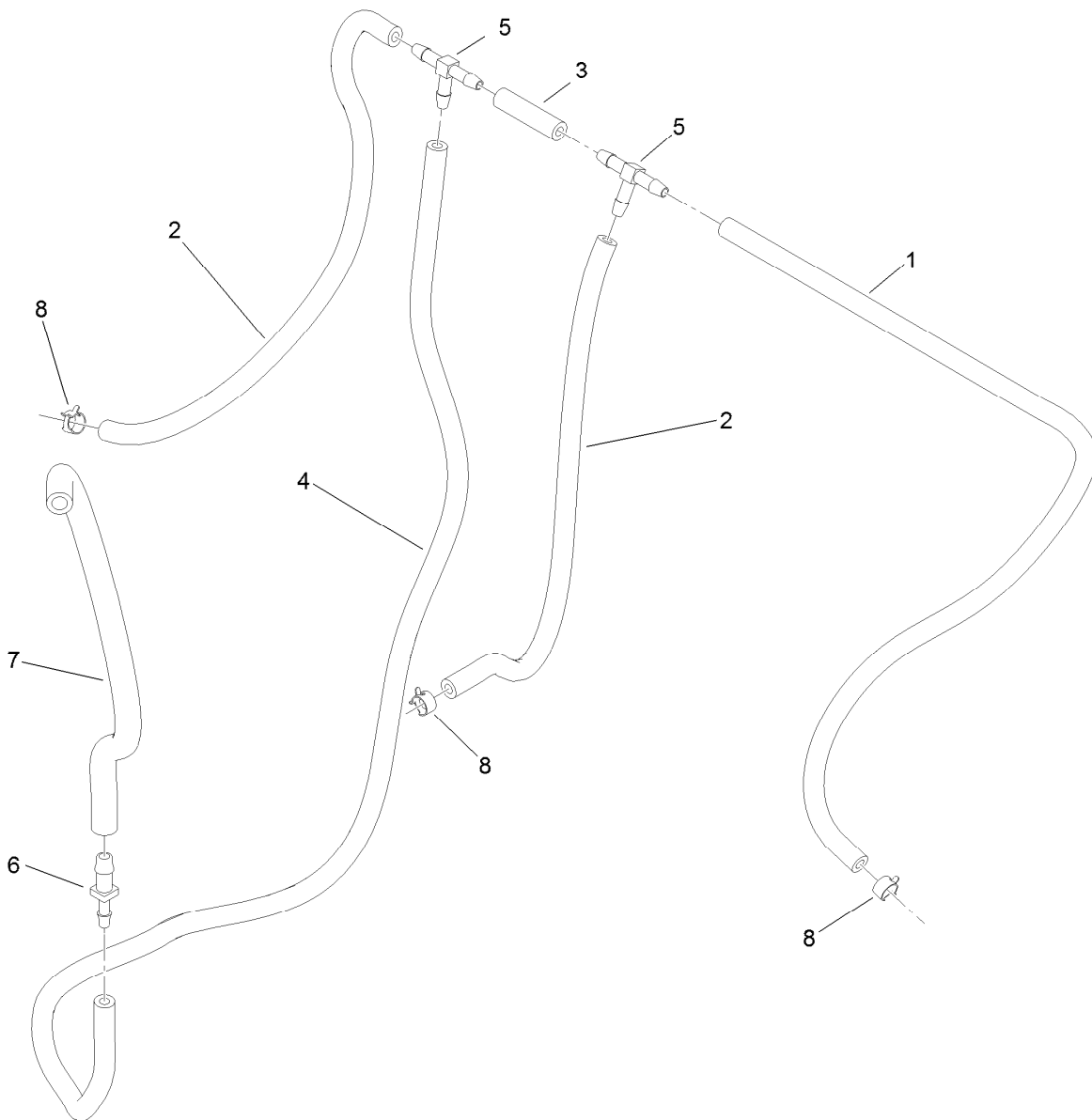
Ref.	Part Number	Qty.	Description	Ref.	Part Number	Qty.	Description
1	119-8743	1	LH Lever ASM	20	32128-17	2	Nut-Lock, Flange
1:2	119-0222	1	Grip	21	119-8690	1	LH Pivot Tab ASM
2	103-9928	6	Bearing	22	119-8718	1	RH Pivot Tab ASM
3	119-7353	1	RH Motion Control ASM	23	1-603175	1	Knob-Ball
4	119-7359-01	1	Bracket-Cross	24	119-6654	1	Cable-Throttle
6	104-8301	4	Nut-Flange, NI	26	3229-1	4	Bolt-CARR
8	119-1887	1	RH Motion Lever ASM	27	3290-134	4	Screw
8:2	119-0222	1	Grip	28	3296-2	4	Nut-Lock, NI
9	114-0239	1	Screw-HSH	29	119-8746-01	1	Bracket-Cable Mount
10	3296-47	1	Nut-Lock, NI	30	32144-70	3	Screw-HWHTF
11	114-0268	1	Cam-Lever	31	121-5967	2	Plate-Control, Pump
12	3256-22	1	Washer-Flat	33	104-7201	8	Nut-HF
14	114-0249	1	Spring-Extension	34	3234-29	4	Screw-HHF
15	120-8372	1	Lock-Cable	35	104-8300	4	Nut-Flange, NI
16	119-7370	2	Clamp	36	4-2390	2	Washer-Flat
17	119-7366	2	Cable ASM	39	321-5	4	Screw-HH
17:2	119-7379	2	Rod-Ball Joint	41	114-0282	2	Screw-HH
17:3	3220-1	3	Nut-Jam	42	3217-5	2	Nut-Hex
18	110-5547	1	Control Lever ASM	43	3274-94	4	Screw-HSBH
19	1-807533	2	Bolt-CARR				



Fuel Tank Assembly

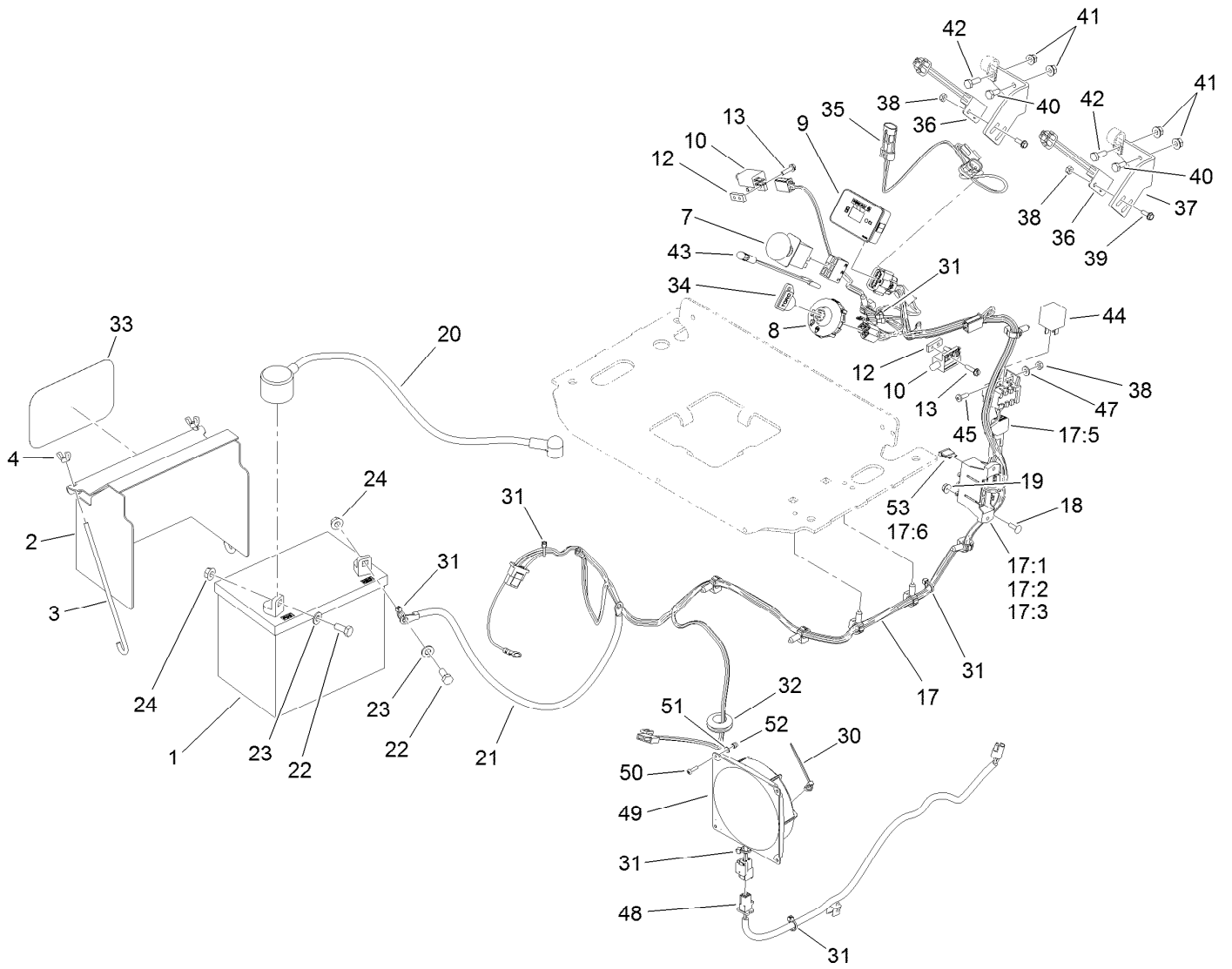
Ref.	Part Number	Qty.	Description	Ref.	Part Number	Qty.	Description
1	119-7340	1	Tank ASM	9	3290-378	3	Tie-Cable
1:2	46-6560	3	Bushing	10	2412-98	4	Clamp-Hose
1:3	1-643172	3	Elbow-90 DEG	11	112-7069	2	Grommet
1:4	95-8972	1	Grommet	12	120-6462	1	Bracket-Tank
1:5	117-9719	1	Guage-Fuel	12:2	116-3290	1	Decal-Fill, Fuel
1:6	116-1704	1	Cap-Fuel, Ratcheting	13	32144-11	4	Screw-HWHTF
1:7	116-3408	1	Fitting-Fuel, Bulkhead	14	3256-70	4	Washer-Flat
5	109-0273	1	Hose-Fuel	15		1	Vent Hose ASM ●
6	1-603770	1	Valve-Fuel	16	2412-87	2	Clamp-Cable
7	109-0297	1	Hose-Fuel	22	32180-040	2	Clip-Harness

● Not serviced separately



Vent Hose Assembly

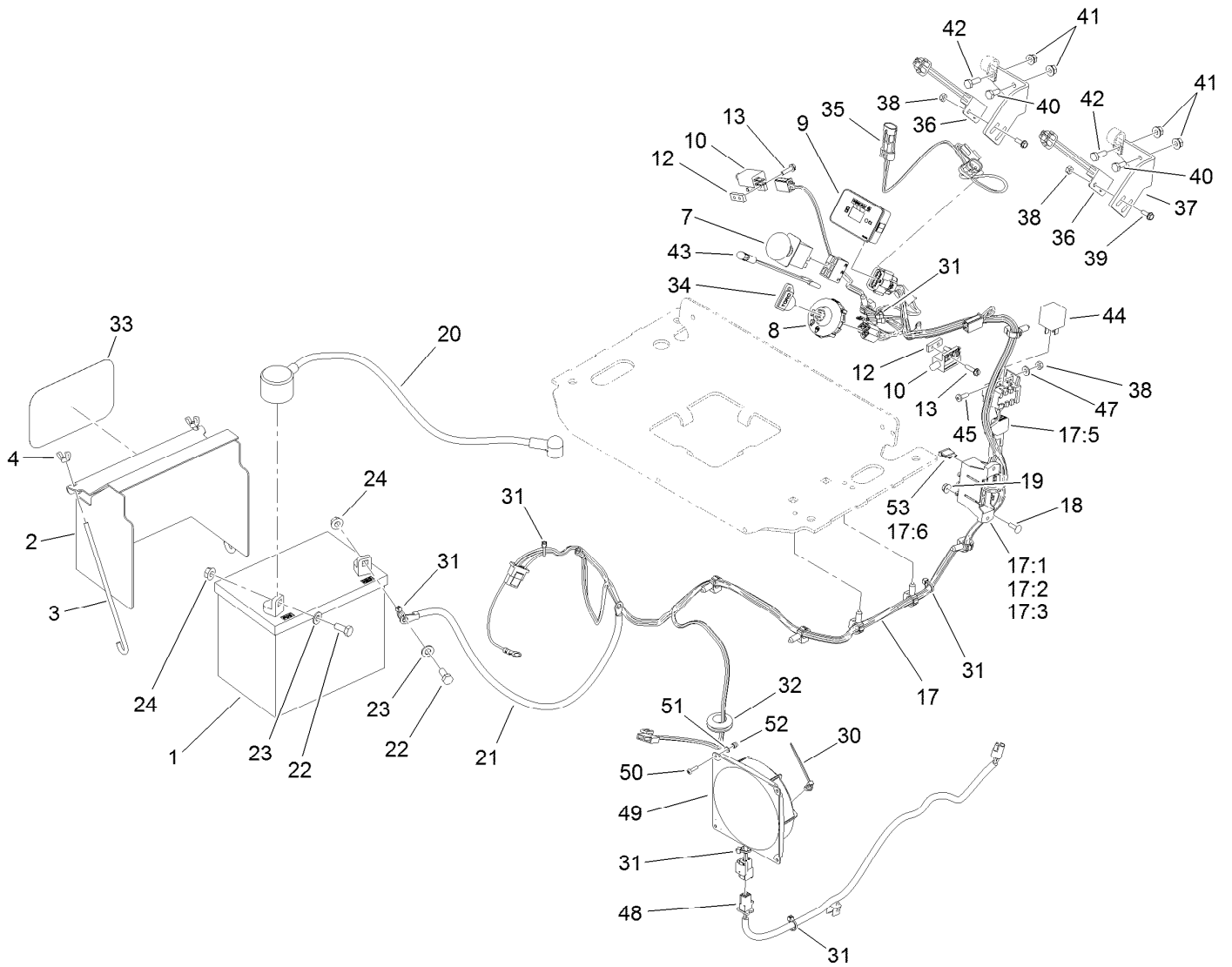
<i>Ref.</i>	<i>Part Number</i>	<i>Qty.</i>	<i>Description</i>
1	109-3491	1	Hose-Fuel
2	109-0299	2	Hose-Fuel
3	119-7856	1	Hose-Fuel
4	109-0289	1	Hose-Fuel
5	99-5005	2	Fitting-Tee, Barbed
6	116-5072	1	Fitting-Straight
7	116-4344	1	Hose-Fuel
8	2412-98	3	Clamp-Hose



Electrical Assembly

Ref.	Part Number	Qty.	Description	Ref.	Part Number	Qty.	Description
1	104-8162	1	Battery	19	3290-148	2	Nut-HF
2	117-0543-01	1	Cover-Battery	20	115-3864	1	Cable-Battery, Positive
3	1-633651	2	Bolt-Holddown	21	105-0836	1	Cable-Battery, Black
4	1-543792	2	Wingnut	22	322-3	2	Screw-HH
7	114-0279	1	Switch-PTO	23	3256-23	2	Washer-Flat
8	117-2222	1	Switch-Ignition	24	109-5715	2	Nut-HHF, Smooth
9	117-3886	1	Module-Hour Meter	30	3290-381	1	Tie-Cable
10	1-513152	2	Switch-Closed, Normally	31	1-303287	6	Tie-Cable
12	1-633181	2	Plate-Tapped	32	117-2781	1	Grommet
13	32105-13	4	Screw-HWH	33	68-3640	1	Decal
17	121-7509	1	Harness-Wire, Efi	34	63-8360	1	Key-Ignition (W/Shield)
17:1	109103	1	Fuse-Blade, 30 Amp	35	119-8729	1	Harness-Wire, Neutral Switch
17:2	109102	1	Fuse-Blade, 25 Amp	36	105-0023	2	Switch-Proximity
17:3	218-578	1	Fuse-Blade, 10 Amp	37	119-8503-01	2	Bracket-Mount, Switch
17:4	116-0053	1	Cap-Plug ●	38	3296-2	5	Nut-Lock, NI
17:5	103-3895	1	Diode-Tvs	39	32105-23	4	Screw
17:6	109355	1	Fuse-Blade, 15 Amp	40	321-3	2	Screw-HH
18	1-807533	2	Bolt-CARR				

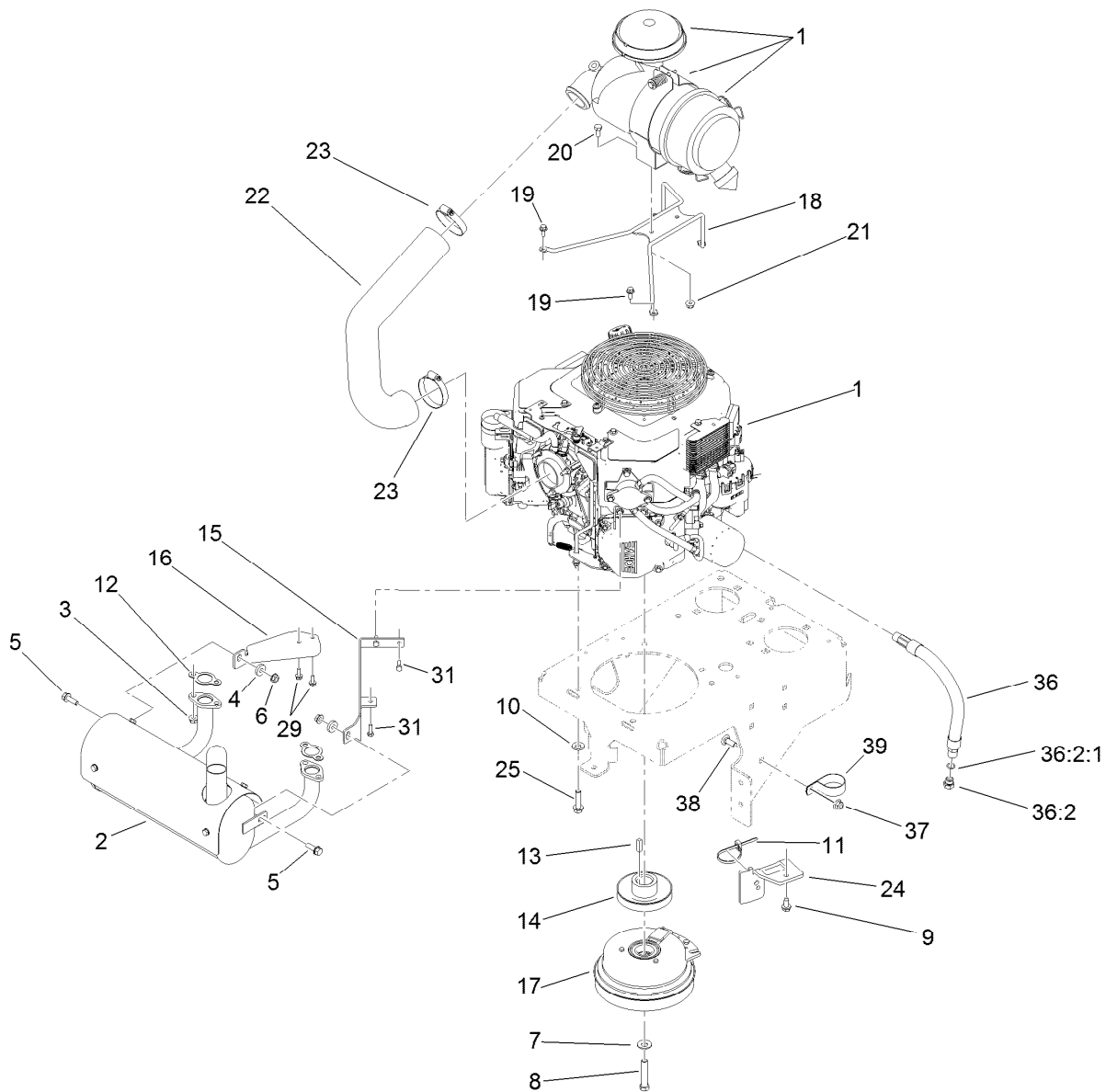
● Not illustrated



Electrical Assembly (continued)

<i>Ref.</i>	<i>Part Number</i>	<i>Qty.</i>	<i>Description</i>	<i>Ref.</i>	<i>Part Number</i>	<i>Qty.</i>	<i>Description</i>
41	32128-32	4	Nut-HHF	48	120-8389	1	Harness-Wire, Fan
42	321-4	2	Screw-HH	49	116-7047	1	Fan-Electric
43	1-643267	1	Indicator-Led, Red	50	46-0670	4	Screw-PPH
44	1-643275	1	Relay	51	48-7990	4	Washer-Flat
45	3290-500	1	Screw-PPH	52	46-0430	4	Nut-Lock
47	3256-14	1	Washer-Flat	53	109355	1	Fuse-Blade, 15 Amp

● Not illustrated

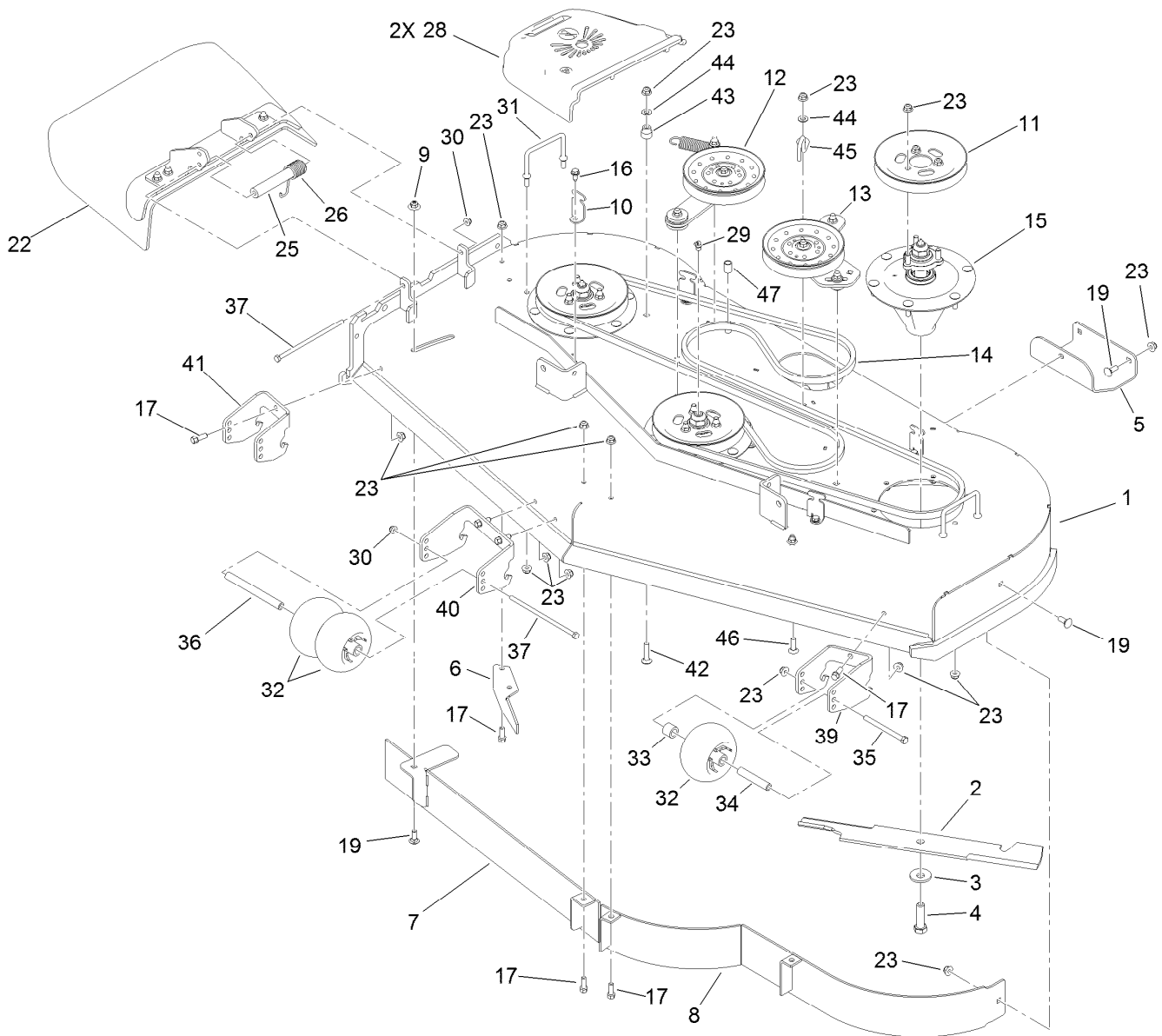


Engine Assembly

Ref.	Part Number	Qty.	Description	Ref.	Part Number	Qty.	Description
1		1	Engine-Kohler ●■	18	116-4043-03	1	Air Cleaner Support ASM
2	116-4092	1	Muffler	19	33103-016	2	Screw-HHF
3	68-9400	4	Nut-Flange	20	322-3	2	Screw-HH
4	104-7658	2	Spacer	21	104-8300	2	Nut-Flange, NI
5	3234-29	2	Screw-HHF	22	116-4047	1	Hose-Intake, Air
6	32128-25	2	Nut-HF	23	2412-42	2	Clamp-Hose
7	1-603610	1	Washer-Spring	24	116-3811-01	1	Bracket-Anchor, Clutch
8	3212-9	1	Screw-HH	25	32144-102	4	Screw-HWH
9	32144-70	1	Screw-HWHTF	29	116-5722	2	Screw-HWHTF
10	98-5975	3	Washer-Belleville	31	116-4295	3	Screw-HH
11	3290-378	1	Tie-Cable	36	116-5108	1	Oil Drain Hose ASM
12	110-6697	2	Gasket-Exhaust	36:2	353-508	1	Plug-HH
13	1-807259	1	Key	36:2:1	237-42	1	O-Ring
14	116-3882	1	Pulley	37	104-8301	1	Nut-Flange, NI
15	116-4039	1	Bracket-Muffler, LH	38	3231-22	1	Screw-CARR
16	116-4038	1	Bracket-Muffler, RH	39	2412-147	1	Clamp
17	116-4172	1	Clutch				

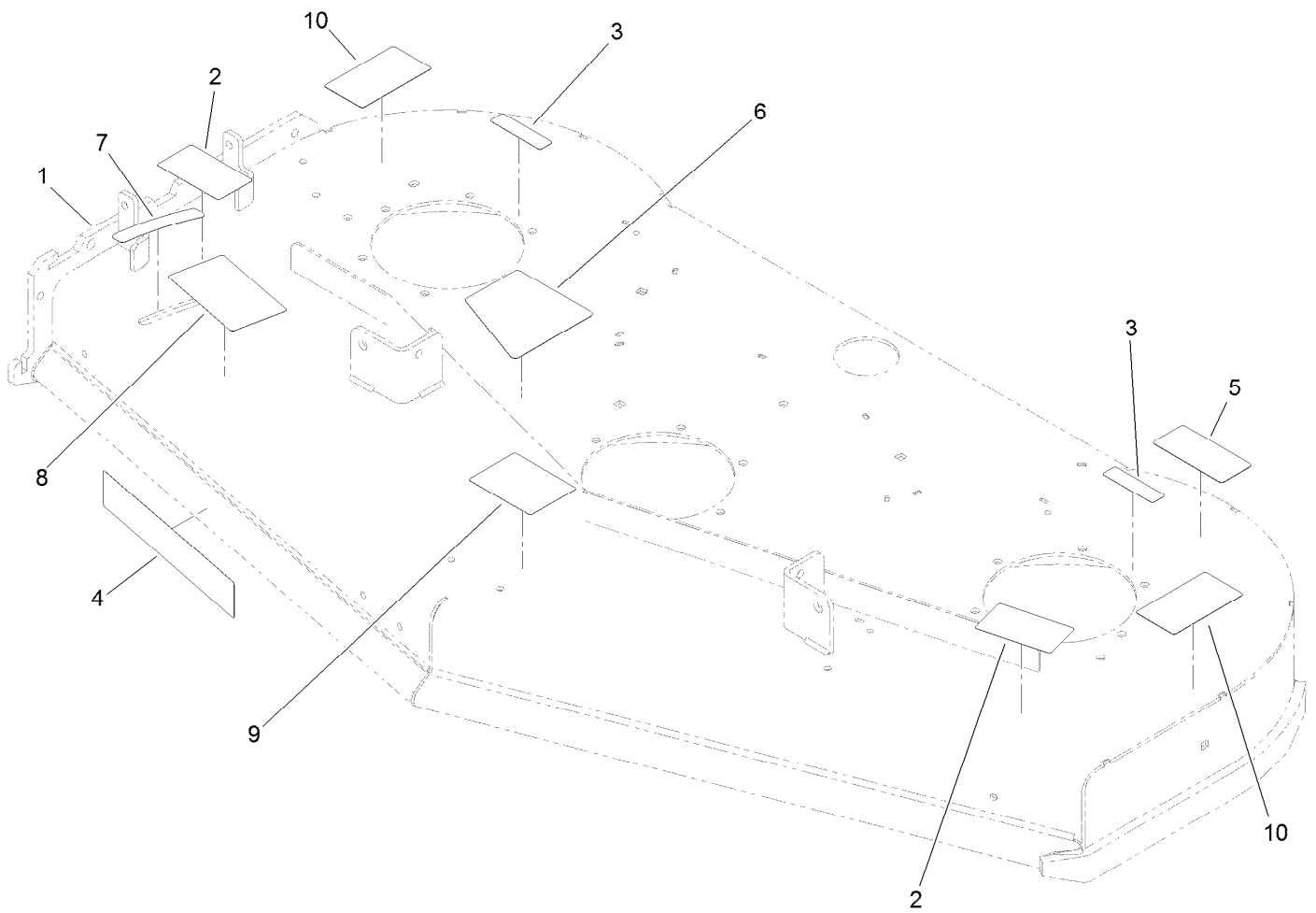
● Not serviced separately

■ Obtain parts from www.kohlerplus.com



Deck Assembly

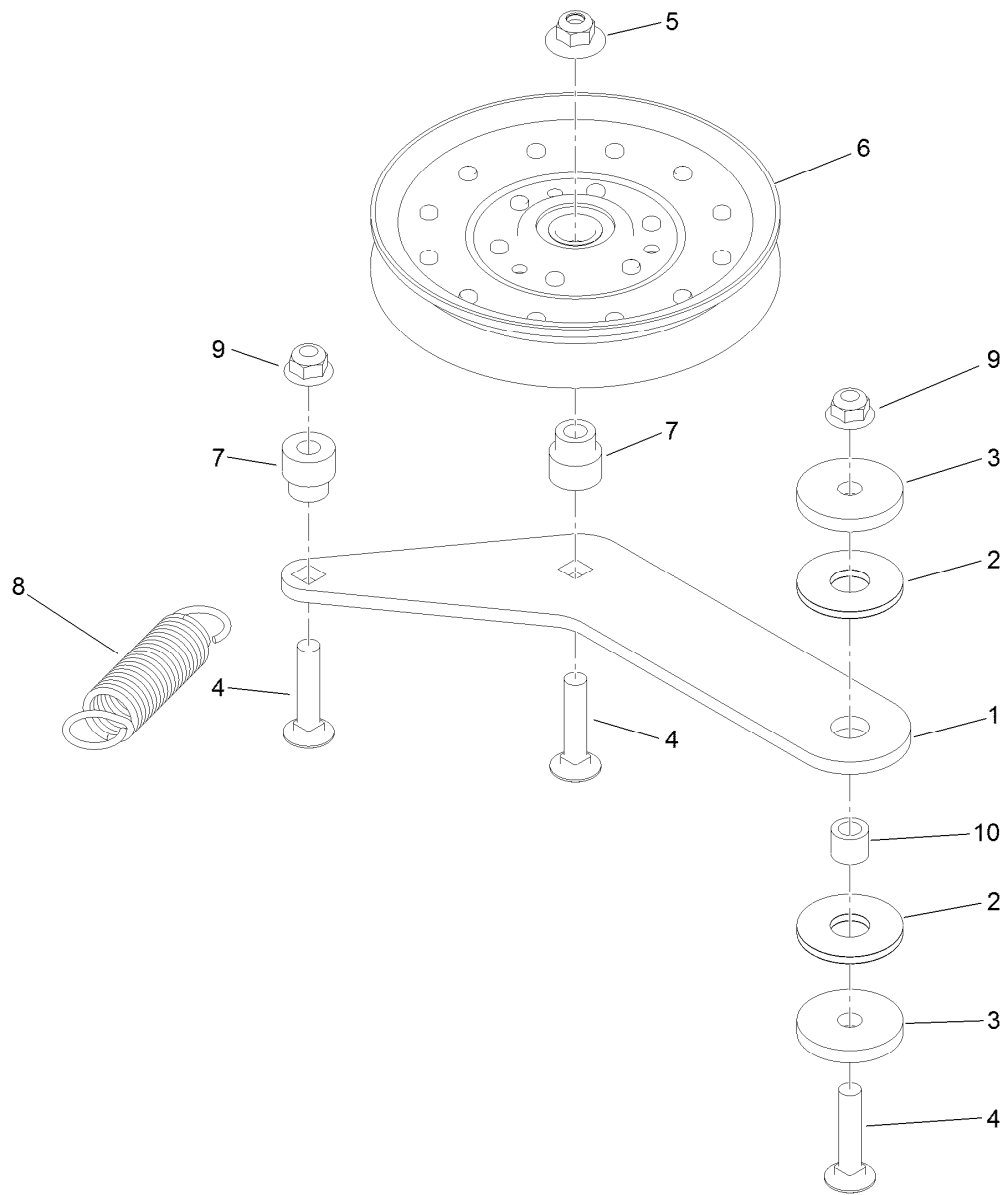
Ref.	Part Number	Qty.	Description	Ref.	Part Number	Qty.	Description
1	120-6414	1	Deck ASM	26	108-4052	1	Spring-Torsion
2	105-7718-03	3	Blade-Hi Flow	28	120-6423	2	Cover-Belt
3	103-0865	3	Washer-Blade Bolt, Heavy	29	302-33	1	Fitting-Grease
4	51-4060	3	Screw-Blade	30	104-8300	2	Nut-Flange, NI
5	114-1908-01	1	Skid	31	109-6982	2	Wireform-Cover
6	106-3216-01	1	Baffle-Discharge	32	1-603299	4	Roller-Scalp, Anti
7	121-1788-01	1	Baffle ASM	33	98-7913	2	Tube-Spacer
8	117-9701-01	1	Baffle ASM	34	98-7912	2	Tube-Spanner
9	109-6658	1	Nut-Flange, NI	35	323-23	2	Screw-HH
10	117-5758-03	4	Bracket-Cover	36	98-5967	1	Spacer-Wheel
11	120-6434	3	Pulley	37	322-50	2	Screw-HH
12	121-5970	1	RH Idler Arm ASM	39	114-5204-01	1	Bracket-Wheel, LH
13	121-5965	1	LH Idler Arm ASM	40	114-5208-01	1	Bracket-Wheel, Center
14	106-7369	1	Belt-V	41	114-5213-01	1	Bracket-Wheel, RH
15	119-8560	3	Spindle ASM	42	3231-5	1	Screw-CARR
16	32144-70	4	Screw-HWHTF	43	1-603496	1	Bushing-Idler
17	92-1624	9	Screw-HWH	44	3256-24	2	Washer-Flat
19	3231-2	5	Bolt-CARR	45	110-6975	1	Guide-Belt
22	121-5960	1	Deflector ASM	46	3231-28	1	Screw-CARR
23	104-8301	48	Nut-Flange, NI	47	121-7521	1	Bumper-Idler
25	105-4622	1	Spacer				



Deck Decal Assembly No. 120-6414

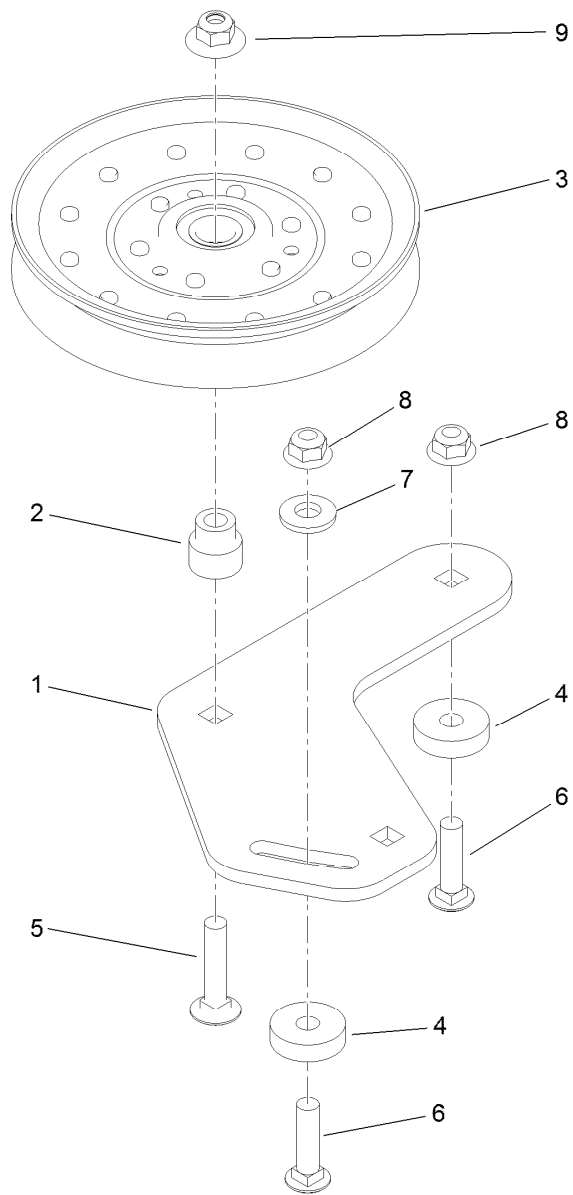
<i>Ref.</i>	<i>Part Number</i>	<i>Qty.</i>	<i>Description</i>
1		1	Deck ASM ●
2	93-7010	2	Decal-Danger
3	119-0217	2	Decal-Danger
4	107-1619	1	Decal
5	93-7818	1	Decal-Torque, Blade Bolt
6	120-6412	1	Decal-Belt Tension, Ce
7	110-2067	1	Decal-Setting, Baffle
8	110-2068	1	Decal-Adjustment, Baffle
9	112-3858	1	Decal-Anti Scalp
10	120-6424	2	Decal-Danger, Rotating Parts

● Not serviced separately



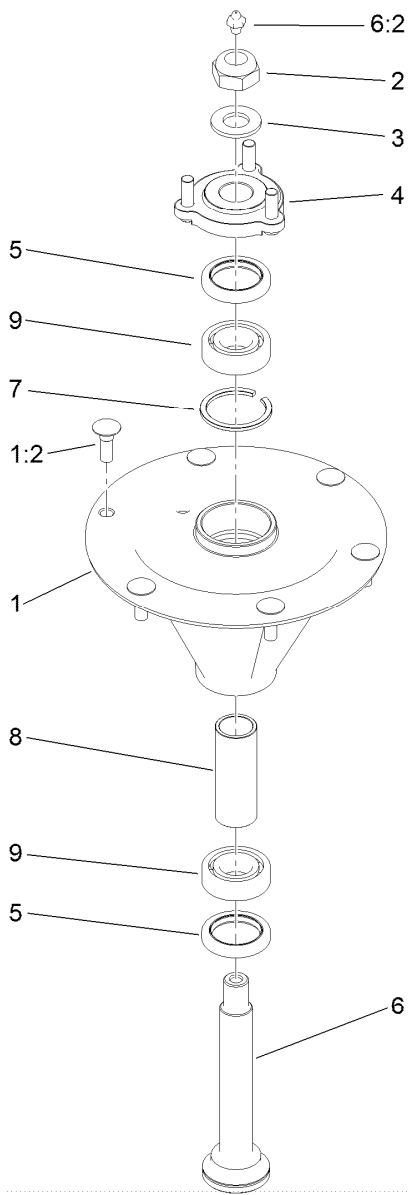
Right Hand Idler Assembly No. 121-5970

<i>Ref.</i>	<i>Part Number</i>	<i>Qty.</i>	<i>Description</i>
1	121-5971	1	Arm-Idler, RH
2	114-0463	2	Washer-Friction, Composite
3	110-9981	2	Washer-Plain
4	3231-5	3	Screw-CARR
5	109-6658	1	Nut-Flange, NI
6	116-4667	1	Idler-Pulley, Flat
7	1-603496	2	Bushing-Idler
8	1-603402	1	Spring-Extension
9	104-8301	2	Nut-Flange, NI
10	1-413088	1	Bushing-Lever, Lift



Left Hand Idler Assembly No. 121-5965

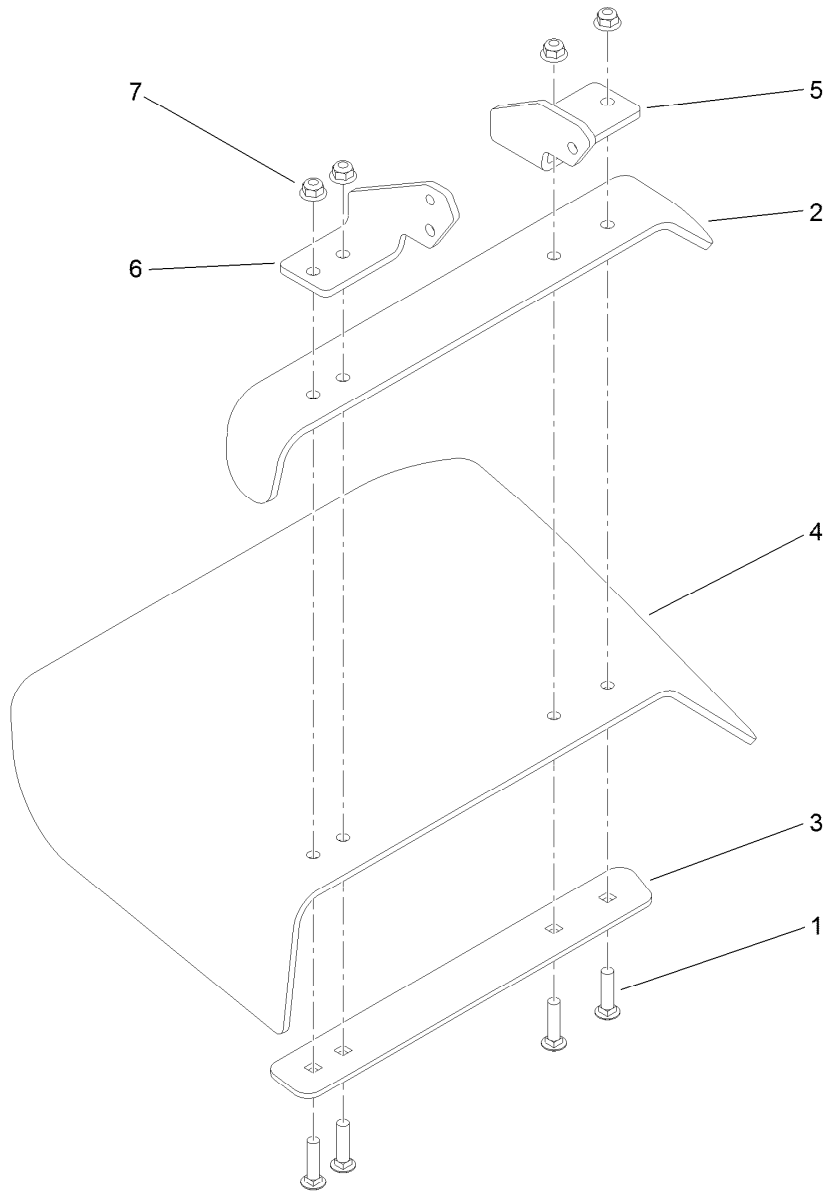
<i>Ref.</i>	<i>Part Number</i>	<i>Qty.</i>	<i>Description</i>
1	121-5966-03	1	Arm-Idler, LH
2	1-603496	1	Bushing-Idler
3	116-4667	1	Idler-Pulley, Flat
4	105-7788	2	Spacer
5	3231-5	1	Screw-CARR
6	3231-4	2	Screw-CARR
7	98-5975	1	Washer-Belleville
8	104-8301	2	Nut-Flange, NI
9	109-6658	1	Nut-Flange, NI



Spindle Assembly No. 119-8560

Ref.	Part Number	Qty.	Description
1		1	Spindle Housing And Studs ASM ●
1:2	114-8195	6	Bolt-Ribbed Neck
2	3296-67	1	Nut-Lock, NI
3	92-5836	1	Washer
4	117-6172	1	Spindle Hub ASM
5	253-133	2	Seal-Oil
6	119-8527	1	Spindle Shaft And Zerk ASM
6:2	302-2	1	Fitting-Grease
7	119-8532	1	Snap Ring
8	117-6184	1	Spacer
9	119-8558	2	Bearing-Noseal

● Not serviced separately



Deflector Assembly No. 121-5960

<i>Ref.</i>	<i>Part Number</i>	<i>Qty.</i>	<i>Description</i>
1	3231-4	4	Screw-CARR
2	106-3246-01	1	Deflector
3	106-3248-03	1	Strap-Discharge
4	110-0759	1	Deflector-Rubber
5	108-4059-01	1	Plate-Hinge, Rear
6	106-3253-01	1	Plate-Hinge, Front
7	104-8301	4	Nut-Flange, NI

Attachments and Accessories

For 74583 GrandStand Mower With 60in TURBO FORCE Cutting Unit

Product Name	Model/Part
Blade-Mid Flow, 20.5in	105-7715-03
Blade-Lo Flow, 20.5in	105-7716-03
Blade-Hi Flow, 20.5in.....	105-7718-03
Blade-Recycler, 20.5in.....	105-7777-03
Blade-Atomic, 20.5in	105-8777-03
Turbo Baffle Kit	107-1634
6 Pack Blade, 20.5in Hi-Flow	108-1114
6 Pack-Blade, 20.5in Atomic.....	108-1115
6 Pack Blade, 20.5in Mid-Flow	108-1123
6 Pack-Blade, 20.5in Lo Flow	108-1128
6 Pack-Blade, 20.5in Recycler.....	110-0405
Weight-Cast.....	112-7059-01
Light Kit.....	114-3505
Striping Kit	114-3521
Hypr-Oil 500 (quart).....	114-4713
Hypr-Oil 500 (gallon).....	114-4714
Hypr-Oil 500-5 (5 gallon).....	114-4715
Recycler Kit	115-7468
Weight Kit	117-3620
Chute Gate Kit With Bag.....	119-7292
Trash Bag ASM	119-7293
Speed Control Kit.....	119-7390
Soft Bag (3 Bushel).....	30104
Spark Arrestor	98-9099

Notes:



Count on it.