

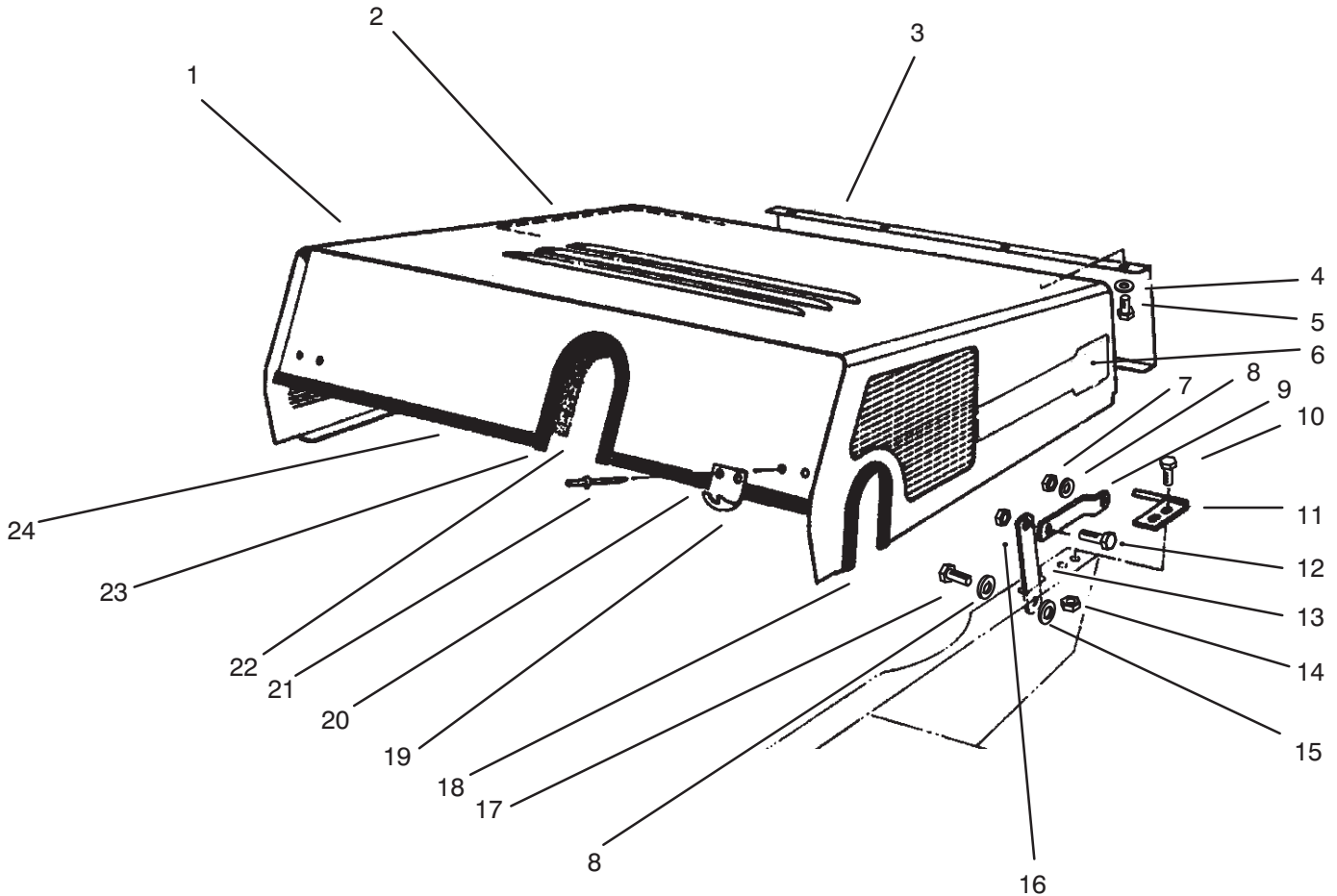


MODEL NO. 30620-790001 & UP

PARTS
CATALOG

GROUNDMASTER® 220

TRACTION UNIT



C-1275

HOOD ASSEMBLY

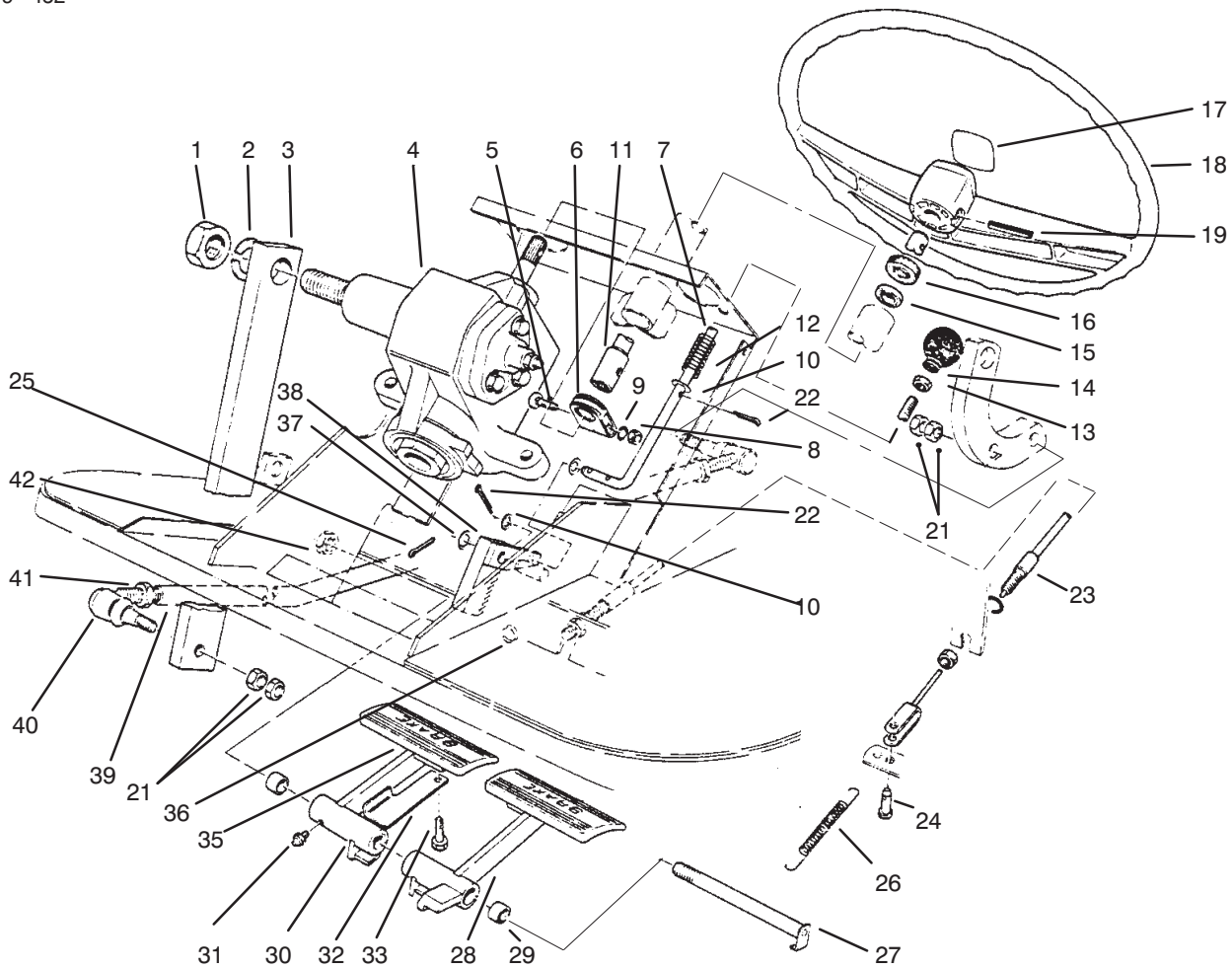
| Ref. No. | Part No. | Description | No. Used |
|----------|----------|----------------------------|----------|
| 1 | 12-5869 | Hood | 1 |
| 2 | 44-9040 | Foam - Hood (Rear) | 1 |
| 3 | 44-8830 | Grille - Rear Panel | 1 |
| 4 | 3256-22 | Washer - Flat | 8 |
| 5 | 32140-94 | Screw - Self Tap. Hex. Hd. | 8 |
| 6 | 94-5411 | Decal - Groundmaster 220 | 2 |
| 7 | 32128-19 | Nut - Flange | 2 |
| 8 | 3290-211 | Washer - Lock | 4 |
| 9 | 27-6800 | Link - Hood | 2 |
| 10 | 3234-13 | Screw - Hex. Flange Hd. | 4 |
| 11 | 27-4830 | Pin - Pivot L.H. | 1 |
| * | 27-4800 | Pin - Pivot R.H. | 1 |
| 12 | 3211-27 | Screw - Hex. Hd. | 2 |

| Ref. No. | Part No. | Description | No. Used |
|----------|----------|---------------------|----------|
| 13 | 27-6810 | Tie - Hood | 2 |
| 14 | 32128-33 | Nut - Hex. Flange | 4 |
| 15 | 4-2390 | Washer | 2 |
| 16 | 19-1470 | Screw - Shoulder | 2 |
| 17 | 3296-5 | Nut - Lock | 2 |
| 18 | 44-9190 | Trim - Hood | 1 |
| 19 | 249-40 | Keeper - Reverse | 2 |
| 20 | 46-3320 | Trim - Hood | 1 |
| 21 | 3269-16 | Rivet - Pop | 4 |
| 22 | 44-9030 | Foam - Hood (Front) | 1 |
| 23 | 38-4070 | Trim - Hood | 1 |
| 24 | 38-4080 | Trim - Hood | 1 |

*Not Illustrated

© The TORO Company -1995
All Rights Reserved

TPS



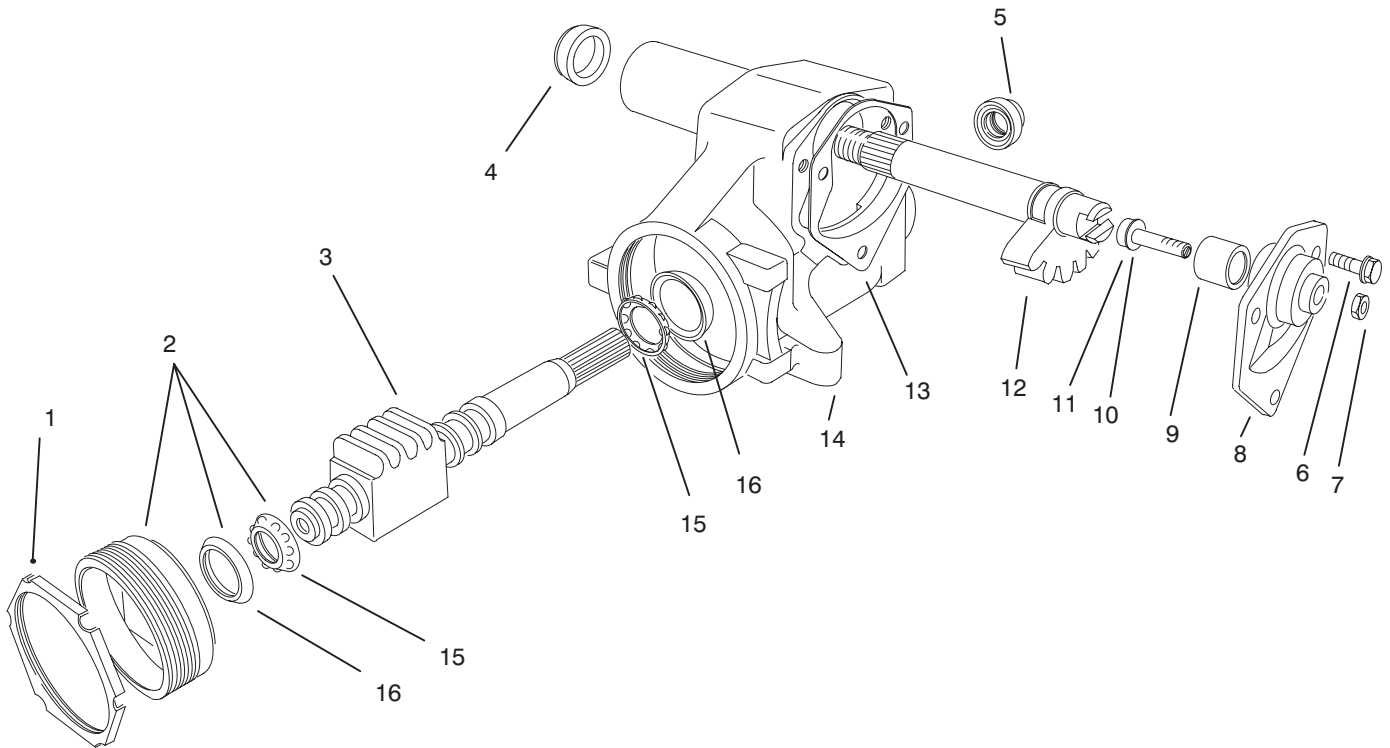
C-1280

PEDALS & STEERING WHEEL ASSEMBLY

| Ref. No. | Part No. | Description | No. Used |
|----------|----------|---|----------|
| 1 | 3220-8 | Nut | 1 |
| 2 | 3253-28 | Washer - Lock | 1 |
| 3 | 41-8880 | Arm - Gear Box | 1 |
| 4 | 41-8820 | Steering Gear Assembly (Incl. Ref. #1 & 2) | 1 |
| 5 | 3232-16 | Bolt - Carriage | 1 |
| 6 | 41-8830 | Clamp - Coupling | 1 |
| 7 | 27-3550 | Rod - Brake Latch | 1 |
| 8 | 3217-8 | Nut - Hex. | 1 |
| 9 | 3253-6 | Washer - Lock | 1 |
| 10 | 3256-22 | Washer - Flat | 3 |
| 11 | 41-8840 | Shaft - Steering | 1 |
| 12 | 3-3251 | Spring | 1 |
| 13 | 32128-33 | Nut - Hex. Flange | 1 |
| 14 | 233-17 | Knob | 1 |
| †15 | 251-275 | Bearing - Ball | 1 |
| 16 | 21-9260 | Cover - Dust | 1 |
| 17 | | Cap - Steering Wheel | 1 |
| 18 | 76-1420 | Wheel - Steering | 1 |
| 19 | 32121-10 | Pin - Roll | 1 |
| 21 | 3220-3 | Nut - Jam | 4 |
| 22 | 3272-5 | Pin - Cotter | 3 |

| Ref. No. | Part No. | Description | No. Used |
|----------|----------|---|----------|
| 23 | 21-3370 | Assembly - Brake Cable | 2 |
| 24 | 283-58 | Pin - Clevis | 2 |
| 25 | 3272-10 | Pin - Cotter | 3 |
| 26 | 3-7243 | Spring - Return | 2 |
| 27 | 42-2540 | Pin - Brake | 1 |
| 28 | 41-8810 | Pedal - Brake L.H. (Incl. Ref. #29 & 31) | 1 |
| 29 | 256-42 | Bushing | 4 |
| 30 | 41-8800 | Pedal - Brake, R.H. (Incl. Ref. 29 & 31) | 1 |
| 31 | 302-5 | Fitting - Grease | 2 |
| 32 | 27-3560 | Latch - Parking Brake | 1 |
| 33 | 32144-10 | Screw - Hex. Self Tap | 1 |
| 35 | 7-3900 | Pad - Brake | 2 |
| 36 | 3290-378 | Tie - Cable | 1 |
| 37 | 3256-26 | Washer - Flat | 2 |
| 38 | 42-3220 | Rack | 1 |
| 39 | 27-3390 | Tube - Front Steering | 1 |
| 40 | 21-0141 | Socket Assembly R.H. | 2 |
| 41 | 3220-5 | Nut - Hex. Jam | 2 |
| 42 | 3296-33 | Nut - Lock | 1 |

†Included with Steering Post Bracket Assembly, Ref. Page 6, Item 43

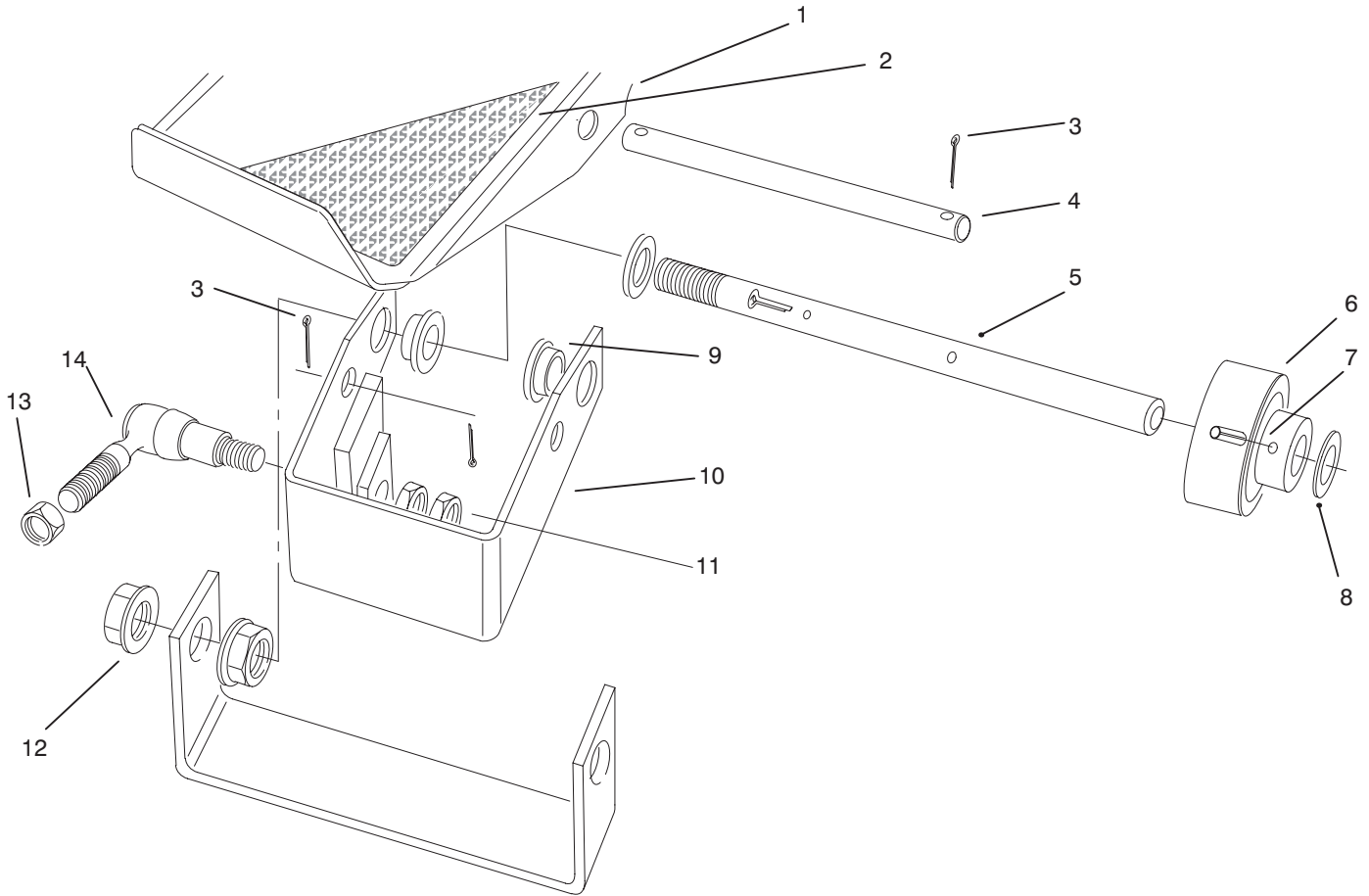


T-0701

STEERING GEAR ASSEMBLY NO. 41-8820

| Ref. No. | Part No. | Description | No. Used | Ref. No. | Part No. | Description | No. Used |
|----------|----------|---|----------|----------|----------|---------------------------|----------|
| 1 | 5676217 | Nut - Adjuster Lock | 1 | 9 | | Bushing | 1 |
| 2 | 7840888 | Assembly - Adjuster | 1 | 10 | 605142 | Kit - Shim | 1 |
| 3 | 7812946 | Steering Worm Assembly | 1 | 11 | 7802482 | Adjuster | 1 |
| 4 | 7801626 | Seal | 1 | 12 | 7812834 | Gear - Pitman Shaft | 1 |
| 5 | 7802160 | Seal | 1 | 13 | 5666734 | Gasket | 1 |
| 6 | 7807009 | Bolt - Flange Hex. Hd. | 3 | 14 | 5679292 | Housing - Steering Gear | 1 |
| 7 | 114495 | Nut | 1 | 15 | 5666693 | Assembly - Thrust Bearing | 2 |
| 8 | 7806748 | Kit - Side Cover Service (Incl. Ref. #6, 9, 11 & 13) | 1 | 16 | 5666683 | Cup - Bearing | 2 |

Note: Obtain parts from your local GMC, Chevrolet Dealer.

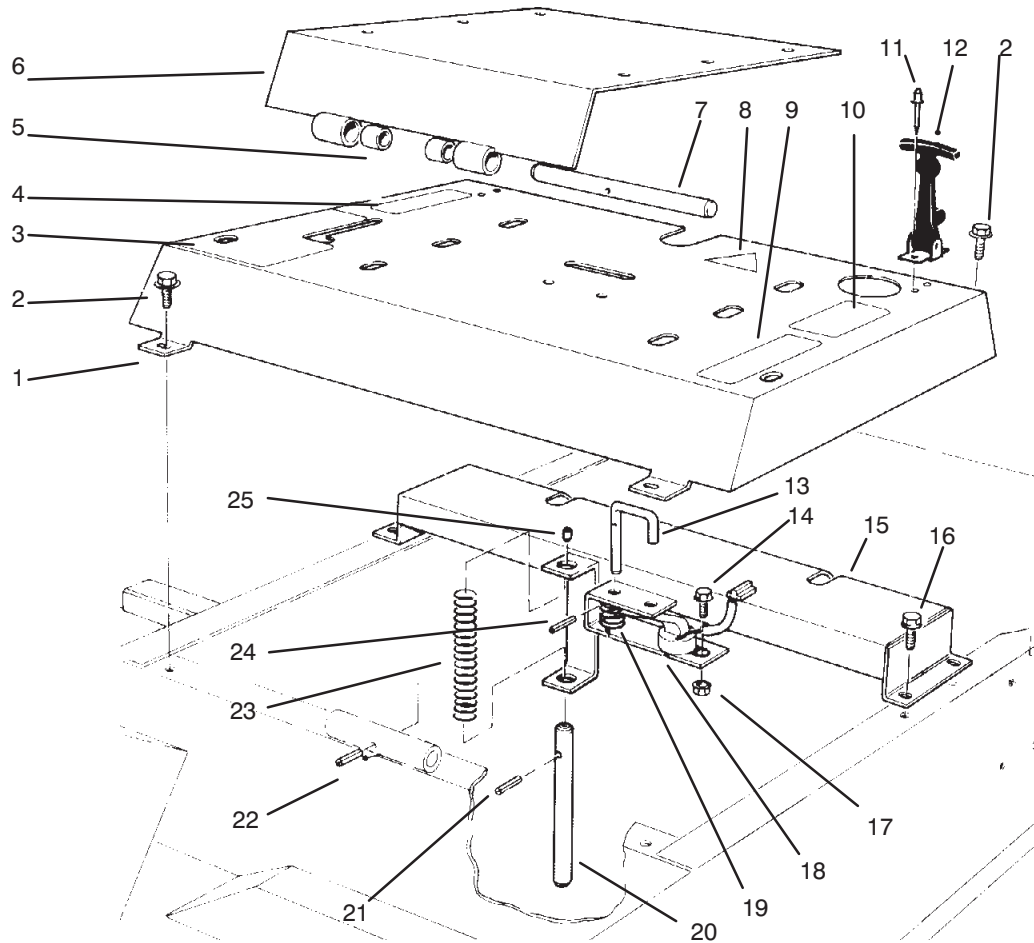


C-2398

TRACTION PEDAL ASSEMBLY

| Ref. No. | Part No. | Description | No. Used |
|----------|----------|------------------------|----------|
| 1 | 29-5670 | Pedal - Traction | 1 |
| 2 | 28-5130 | Pad - Traction Pedal | 1 |
| 3 | 3272-10 | Pin - Cotter | 4 |
| 4 | 29-5630 | Pin - Pedal Pivot | 1 |
| 5 | 70-9830 | Shaft - Traction Pedal | 1 |
| 6 | 28-5220 | Wheel - Friction | 1 |
| 7 | 32121-6 | Pin - Roll | 1 |
| 8 | 5-7570 | Washer | 2 |
| 9 | 256-156 | Bushing - Flange | 2 |

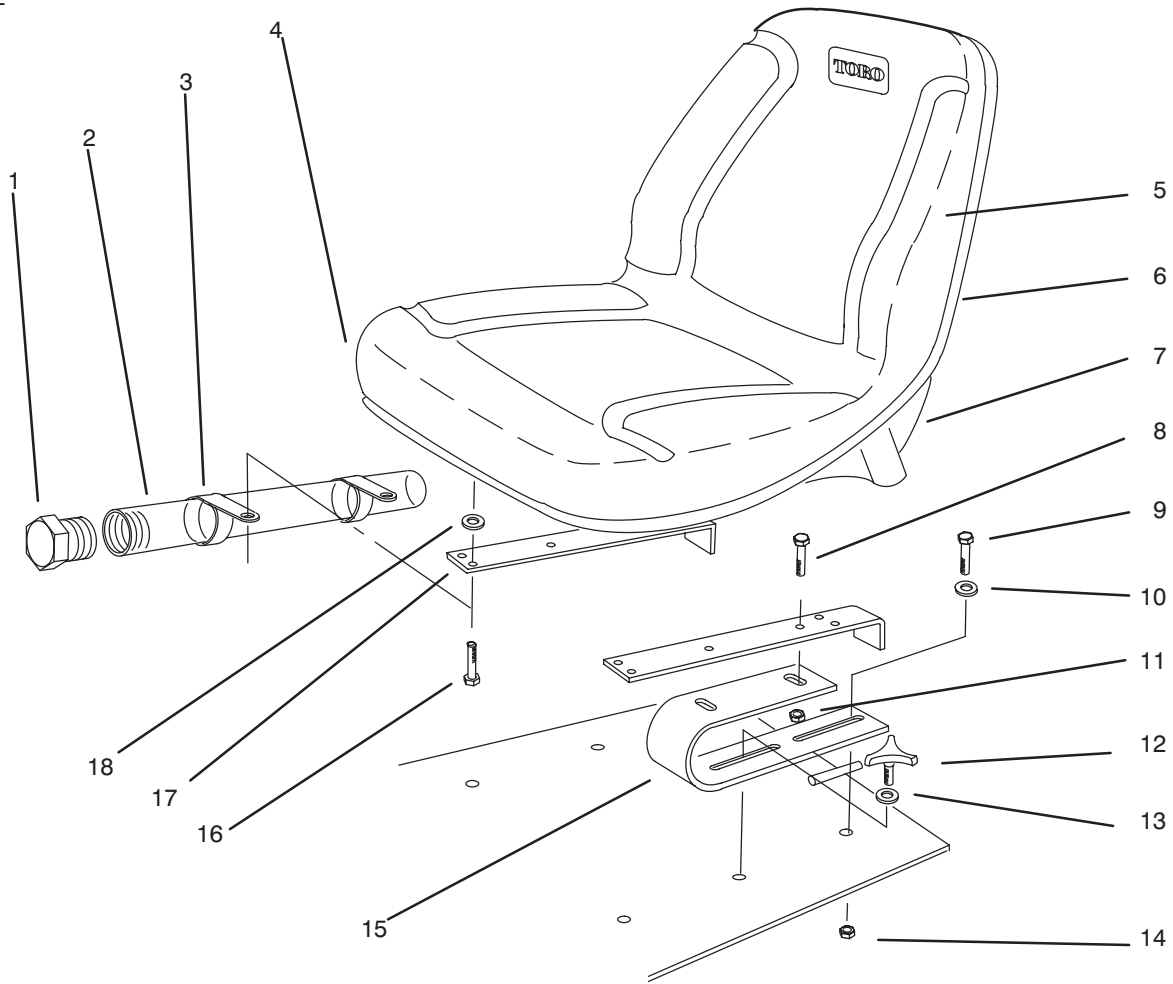
| Ref. No. | Part No. | Description | No. Used |
|----------|----------|---|----------|
| 10 | 29-5600 | Pivot Bracket Assembly (Incl. Ref. #9) | 1 |
| 11 | 3220-3 | Nut - Jam | 2 |
| 12 | 32128-49 | Nut - Hex. Flange | 2 |
| 13 | 3220-5 | Nut - Jam | 1 |
| 14 | 21-0141 | Socket Assembly R.H. | 1 |



C-2399

SEAT MOUNT

| Ref. No. | Part No. | Description | No. Used | Ref. No. | Part No. | Description | No. Used |
|----------|----------|--|----------|----------|----------|-------------------------|----------|
| 1 | 61-8140 | Cover - Seat Support (Incl. Ref. #4, 5, 9 & 10) | 1 | 13 | 38-3170 | Pin - Seat Switch | 1 |
| 2 | 46-8560 | Screw - Hex. Flange Hd. | 4 | 14 | 3234-13 | Screw - Hex. Flange Hd. | 1 |
| 3 | 68-7320 | Decal - Hydraulic Lift | 1 | 15 | 37-9770 | Support - Seat | 1 |
| 4 | 67-1710 | Decal - Caution | 1 | 16 | 3234-11 | Screw - Hex. Flange Hd. | 4 |
| 5 | 256-173 | Bushing | 2 | 17 | 32128-33 | Nut - Hex. Flange Hd. | 1 |
| 6 | 38-4020 | Mounting - Seat (Incl. Ref. #5) | 1 | 18 | 29-6930 | Arm - Switch | 1 |
| 7 | 27-4720 | Shaft - Seat Pivot | 1 | 19 | 3-6685 | Spring | 1 |
| 8 | 43-8480 | Decal - Danger | 1 | 20 | 27-9870 | Pin - Seat Switch | 1 |
| 9 | 68-7330 | Decal - Caution | 1 | 21 | 32121-6 | Pin - Roll | 1 |
| 10 | 27-7310 | Decal - Refueling | 1 | 22 | 32121-4 | Pin - Roll | 1 |
| 11 | 3269-16 | Rivet - Pop | 4 | 23 | 37-9590 | Spring | 1 |
| 12 | 249-39 | Assembly - Handle | 2 | 24 | 32121-18 | Pin - Roll | 1 |
| | | | | 25 | 28-6180 | Pin - Pedal | 1 |



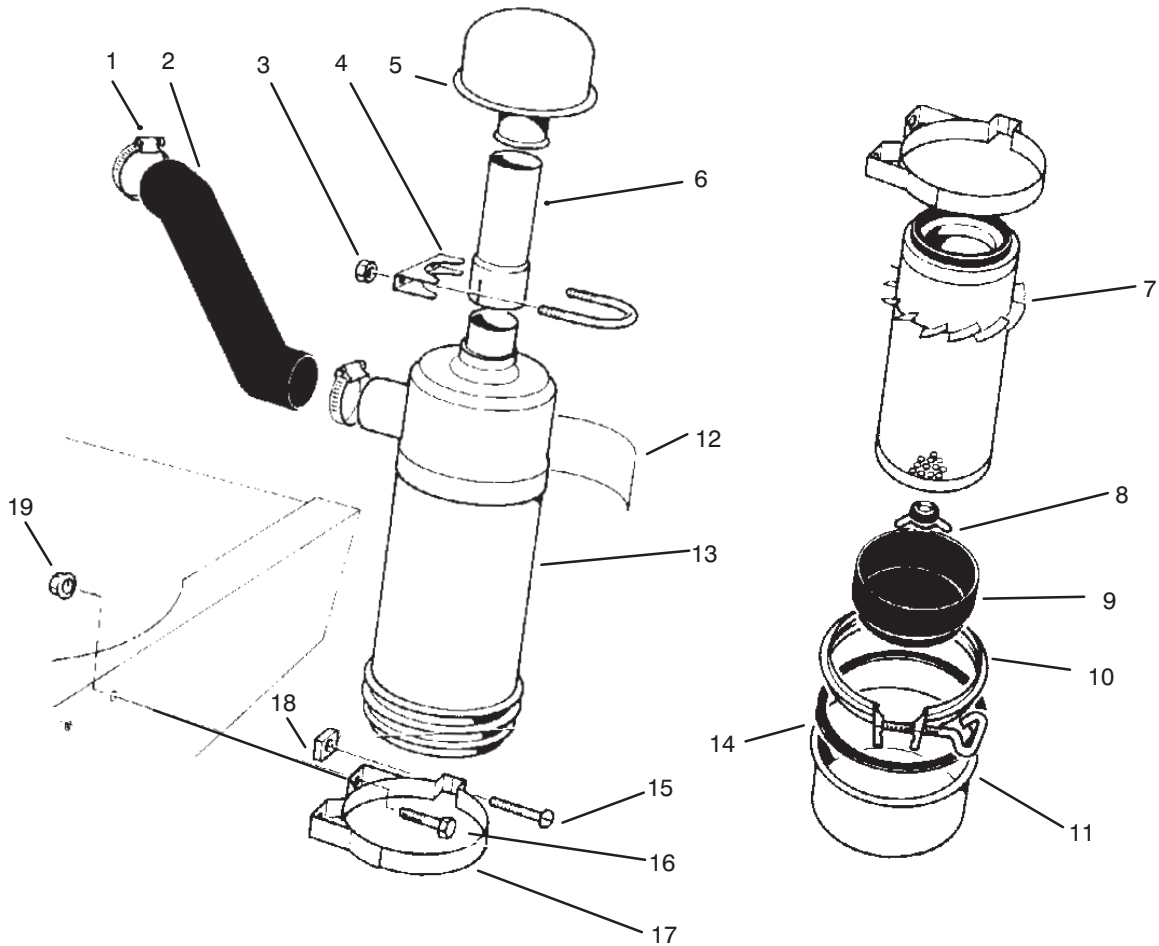
C-1274

SEAT ASSEMBLY

| Ref. No. | Part No. | Description | No. Used |
|----------|----------|-----------------|----------|
| 1 | | Cap - Tube | 1 |
| 2 | 74-0720 | Tube - Manual | 1 |
| 3 | 2412-123 | "R" Clamp | 2 |
| 4 | 92-1180 | Seat | 1 |
| 5 | 92-6533 | Kit - Cushion | 1 |
| 6 | 351-78 | Edging | 1 |
| 7 | 92-6534 | Shell - Seat | 1 |
| 8 | 322-5 | Screw | 4 |
| 9 | 27-5240 | Bolt - Shoulder | 2 |

| Ref. No. | Part No. | Description | No. Used |
|----------|----------|---------------------|----------|
| 10 | 3256-26 | Washer - Flat | 2 |
| 11 | 32128-20 | Nut | 4 |
| 12 | 27-4570 | Handle - Adjustment | 2 |
| 13 | 36-8020 | Washer | 2 |
| 14 | 3296-39 | Nut - Lock | 2 |
| 15 | 46-9110 | Spring - Seat | 2 |
| 16 | 3234-17 | Screw - Hex. Hd. | 4 |
| 17 | 46-9120 | Mount - Seat | 2 |
| 18 | 109989 | Spacer | 4 |

*Not Illustrated

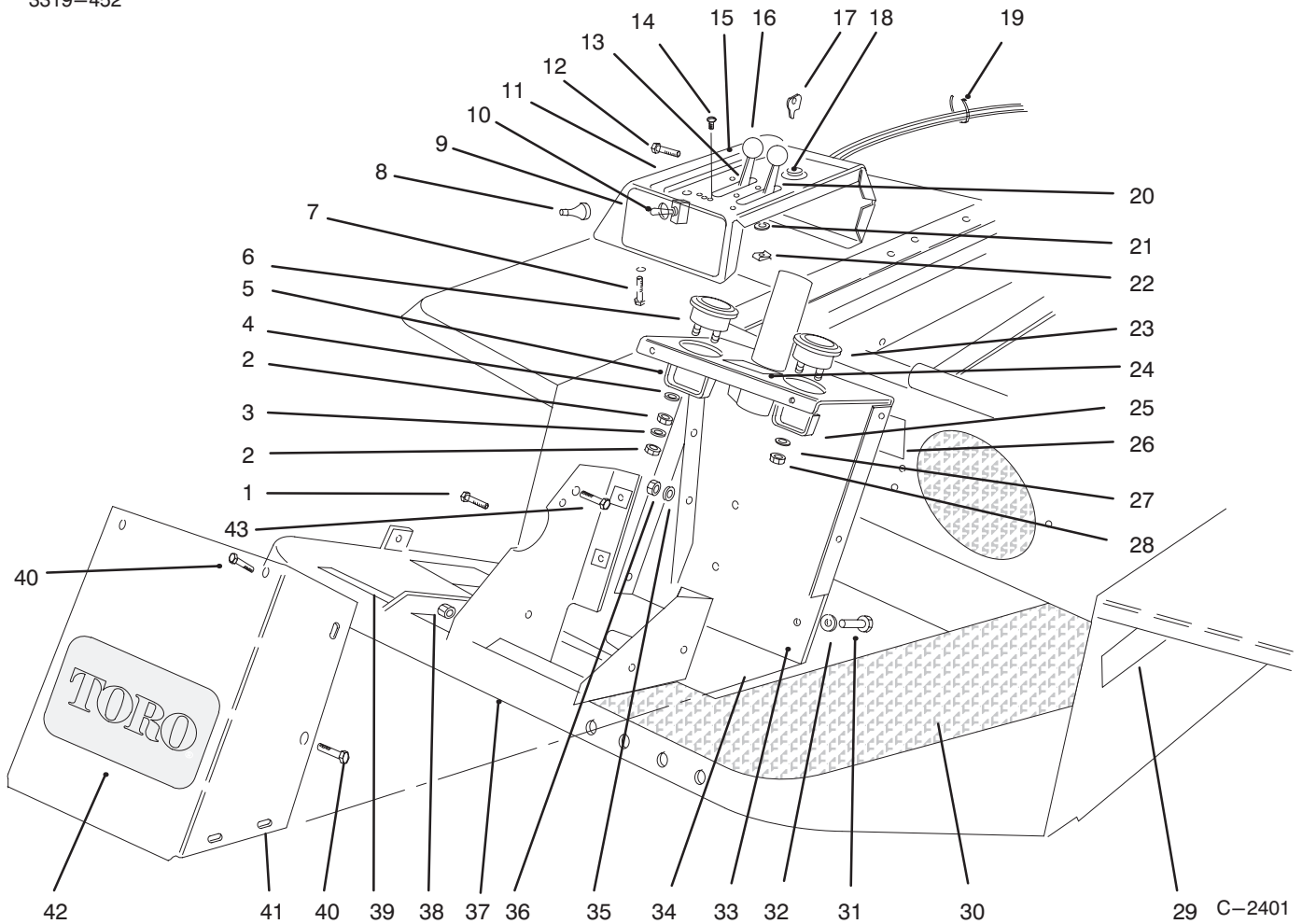


C-2400

AIR CLEANER

| Ref. No. | Part No. | Description | No. Used |
|----------|----------|--------------------------|----------|
| 1 | 2412-42 | Clamp - Hose | 2 |
| 2 | 44-9050 | Hose - Air Cleaner Inlet | 1 |
| 3 | 3217-6 | Nut - Hex. | 2 |
| 4 | 20-4840 | Clamp - Muffler | 1 |
| 5 | 27-7180 | Assembly - Cap | 1 |
| 6 | 44-8950 | Tube - Air Cleaner | 1 |
| 7 | 27-7110 | Assembly - Element | 1 |
| 8 | 27-7120 | Assembly - Nut & Gasket | 1 |
| 9 | 27-7140 | Skirt - Baffle | 1 |
| 10 | 27-7130 | Assembly - Clamp | 1 |
| 11 | 27-7150 | Assembly - Cup | 1 |

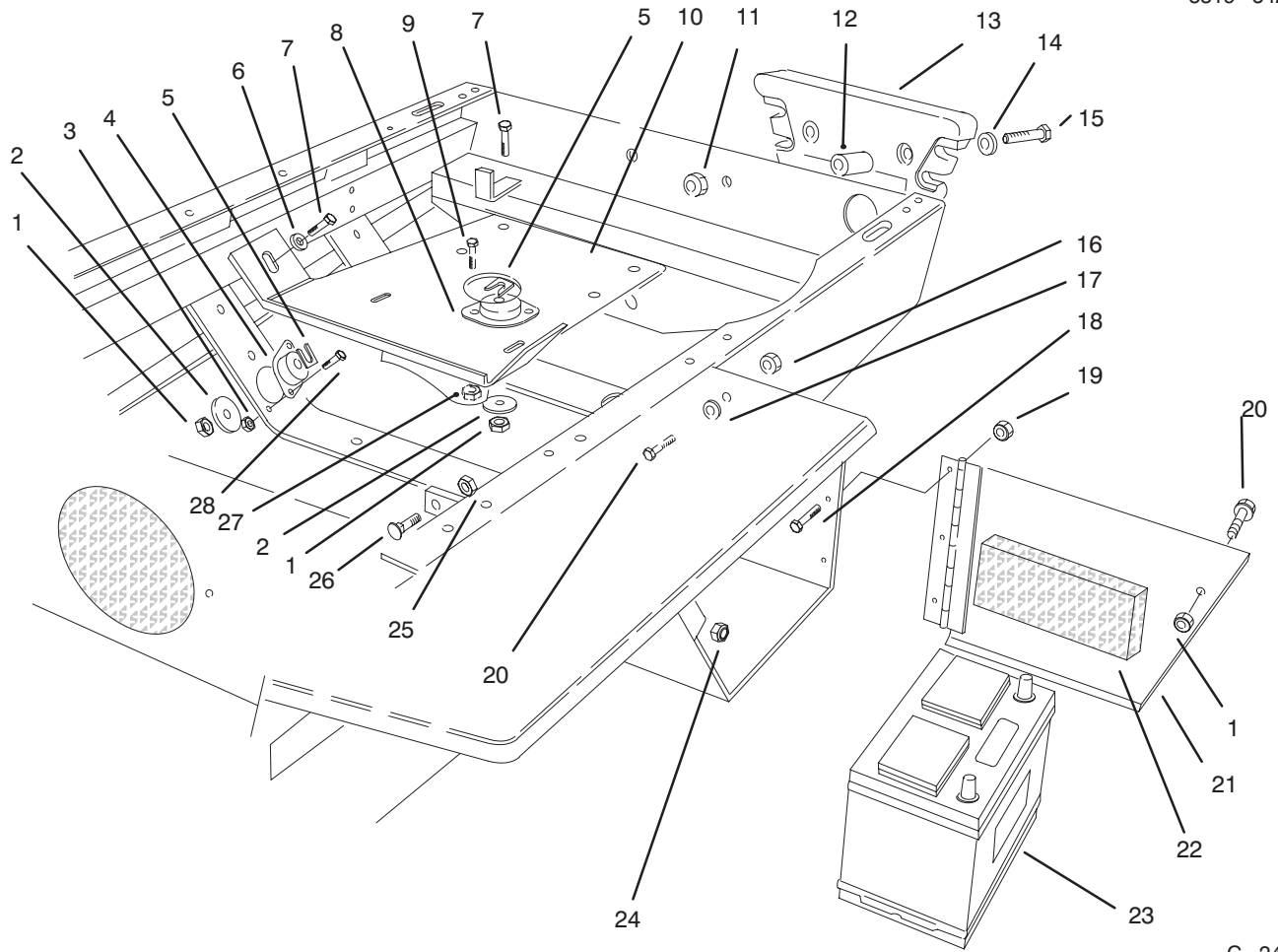
| Ref. No. | Part No. | Description | No. Used |
|----------|----------|--|----------|
| 12 | 27-7160 | Decal - Instruction | 1 |
| 13 | 27-7100 | Assembly - Air Cleaner (Incl. Ref. 6, 7-10 & 16-18) | 1 |
| 14 | 80-3330 | Gasket | 1 |
| 15 | 3258-19 | Screw - Machine | 2 |
| 16 | 322-3 | Screw - Hex. Hd. | 4 |
| 17 | 27-7170 | Assembly - Mounting, Band (Incl. Ref. #13 & 18) | 2 |
| 18 | 32107-11 | Nut - Square | 2 |
| 19 | 32128-20 | Nut - Hex. Flange | 4 |



INSTRUMENT PANEL & STEERING POST

| Ref. No. | Part No. | Description | No. Used |
|----------|-----------|------------------------------------|----------|
| 1 | 32104-60 | Screw - Flange Hex. Hd. | 1 |
| 2 | 3219-14 | Nut - Brass | 6 |
| 3 | 3254-8 | Washer - Lock | 2 |
| 4 | 3256-21 | Washer - Flat | 2 |
| 5 | 39-9600 | Clamp - Mounting | 1 |
| 6 | 33-0990 | Ammeter | 1 |
| 7 | 32104-116 | Screw - Flange Hex. Hd. | 2 |
| 8 | 218-473 | Boot - Toggle Switch | 1 |
| 9 | 46-3460 | Decal - By-Pass | 1 |
| 10 | 6-1659 | Switch - Toggle (Incl. Ref. #7) | 1 |
| 11 | 46-3350 | Panel - Instrument | 1 |
| 12 | 3234-4 | Screw - Hex. Flange Hd. | 1 |
| 13 | 44-9300 | Control - Choke | 1 |
| 14 | 3251-3 | Screw - Mach. Rd. Hd. | 4 |
| 15 | 68-7350 | Decal - Instrument Panel | 1 |
| 16 | 233-35 | Knob | 2 |
| 17 | 63-8360 | Key | 1 |
| 18 | 27-2360 | Switch - Ignition | 1 |
| 19 | 3290-378 | Tie - Cable | 1 |
| 20 | 44-9250 | Control - Throttle | 1 |
| 21 | 3256-22 | Washer - Flat | 1 |

| Ref. No. | Part No. | Description | No. Used |
|----------|----------|----------------------------|----------|
| 22 | 32149-7 | Nut - Keps | 4 |
| 23 | 12-9990 | Meter - Hour | 1 |
| 24 | 41-8910 | Decal - Instruction | 1 |
| 25 | 218-515 | Bracket - Mounting | 1 |
| 26 | 53-4430 | Decal - Oil | 1 |
| 27 | 3254-1 | Washer - Ext. Tooth | 1 |
| 28 | 3217-26 | Nut - Hex. | 1 |
| 29 | 75-0810 | Decal | 2 |
| 30 | 27-3250 | Nonskid - Tunnel | 1 |
| 31 | 324-6 | Screw - Hex. Hd. | 3 |
| 32 | 3253-6 | Washer - Lock | 3 |
| 33 | 42-2580 | Bracket - Steering Post | 1 |
| 34 | 27-3260 | Nonskid - Floor | 1 |
| 35 | 3253-21 | Washer - Lock | 1 |
| 36 | 3217-7 | Nut - Hex. | 1 |
| 37 | 86-7290 | Frame Assembly | 1 |
| 38 | 3296-42 | Nut - Lock | 2 |
| 39 | 27-7320 | Decal - Traction Pedal | 1 |
| 40 | 46-8560 | Screw - Self Tap. Hex. Hd. | 11 |
| 41 | 41-8900 | Cover - Steering Tower | 1 |
| 42 | 62-7400 | Decal - Toro | 1 |
| 43 | 3234-11 | Screw - Hex. Flange Hd. | 1 |



C-2402

ENGINE MOUNT, BATTERY & REAR WEIGHT

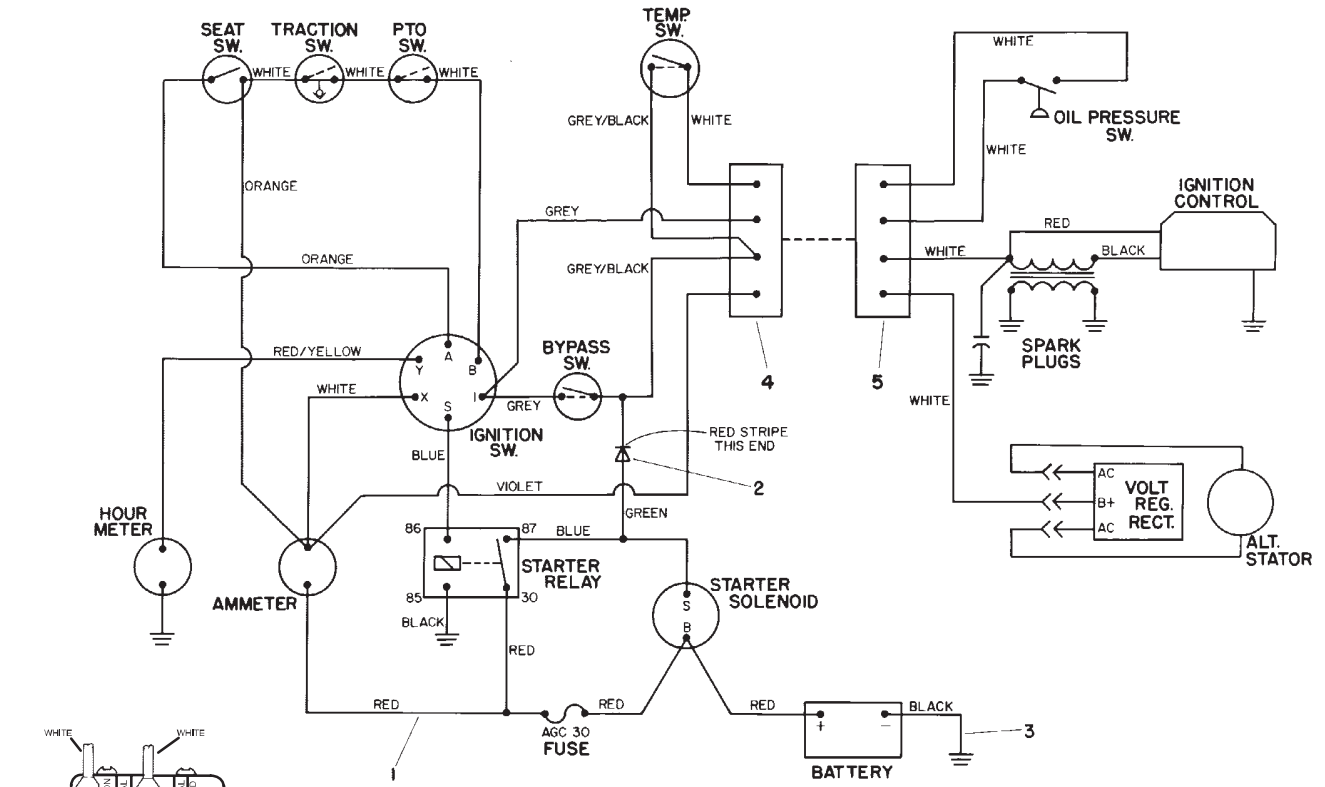
| Ref. No. | Part No. | Description | No. Used |
|----------|----------|------------------------|----------|
| 1 | 3296-39 | Nut - Lock | 5 |
| 2 | 63-7400 | Washer | 4 |
| 3 | 3296-29 | Nut - Lock | 4 |
| 4 | 44-9390 | Mount - Engine Rubber | 2 |
| 5 | 42-6080 | Shim - Axle | A/R |
| 6 | 3256-24 | Washer - Flat | 2 |
| 7 | 323-12 | Screw - Hex. Hd. | 4 |
| 8 | 18-8000 | Mount - Rubber | 2 |
| 9 | 3290-134 | Screw - Mach. Hex. Hd. | 4 |
| 10 | 44-9320 | Base - Engine | 1 |
| 11 | 3217-9 | Nut | 4 |
| 12 | | Spacer | 2 |
| 13 | 24-5790 | Weight - Rear | 1 |
| 14 | 3253-7 | Washer - Lock | 2 |

| Ref. No. | Part No. | Description | No. Used |
|----------|----------|-------------------------|----------|
| 15 | 325-8 | Screw | 2 |
| 16 | 3290-357 | Nut - Flange Lock | 1 |
| 17 | 3255-9 | Washer - Lock | 1 |
| 18 | 3274-31 | Screw - Cap Button Hd. | 3 |
| 19 | 3296-42 | Nut - Lock | 3 |
| 20 | 3234-11 | Screw - Flange Hex. Hd. | 2 |
| 21 | 44-8920 | Cover - Battery | 1 |
| 22 | 44-9460 | Foam - Battery Cover | 1 |
| +23 | | Assembly - Battery | 1 |
| 24 | 3290-433 | Retainer - Grip Nut | 1 |
| 25 | 3218-3 | Nut - Hex. Jam | 1 |
| 26 | 3231-29 | Bolt - Carriage | 1 |
| 27 | 3296-2 | Nut - Lock | 4 |
| 28 | 322-3 | Screw - Hex. Hd. | 4 |

+Obtain locally. Group Size 26

TRACTOR WIRING HARNESS

ENGINE WIRING HARNESS



IGNITION SWITCH CIRCUITRY

| POSITION | CIRCUIT | MAKE |
|----------|---------|------|
| 1 OFF | NONE | - |
| 2 RUN | B+I+A | X+Y |
| 3 START | B+I+S | - |

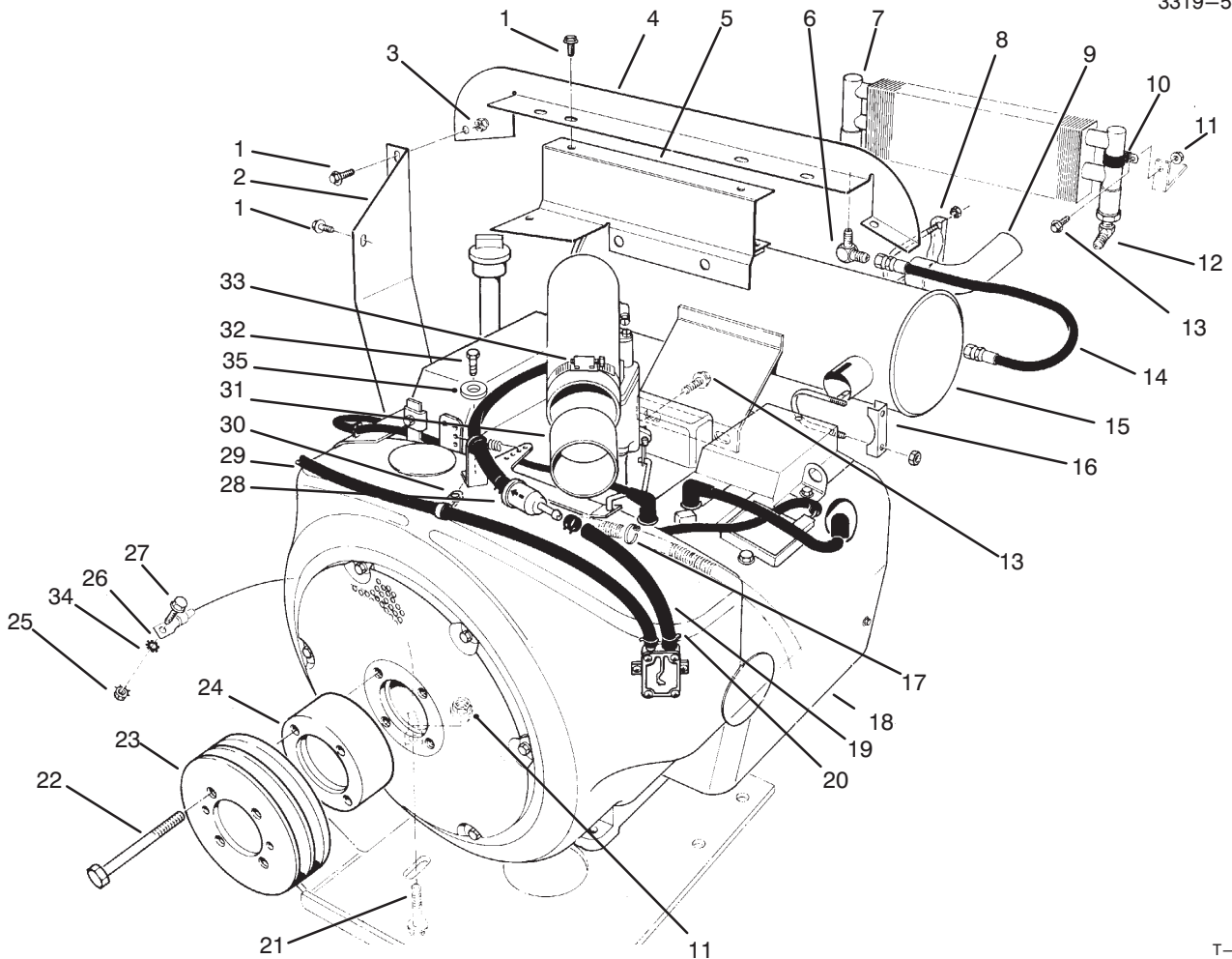
T-0687

ELECTRICAL SCHEMATIC

| Ref. No. | Part No. | Description | No. Used |
|----------|----------|--------------------------------|----------|
| 1 | 86-9470 | Harness - Wire (Incl. Ref. #2) | 1 |
| 2 | 86-7470 | Diode | 1 |
| 3 | 27-5090 | Wire - Battery Ground | 1 |
| 4 | 72-4020 | Housing - Tab | 1 |
| * | 72-4040 | Terminal - Tab | 4 |

| Ref. No. | Part No. | Description | No. Used |
|----------|----------|-----------------------|----------|
| 5 | 72-4010 | Housing - Receptacle | 1 |
| * | 72-4000 | Terminal - Receptacle | 5 |
| * | 72-4030 | Housing | 1 |
| * | 71-6070 | Harness - Wiring | 1 |
| * | 72-3990 | Terminal - Ring | 1 |
| * | 28-1280 | Boot - Battery Cable | 1 |

*Not Illustrated

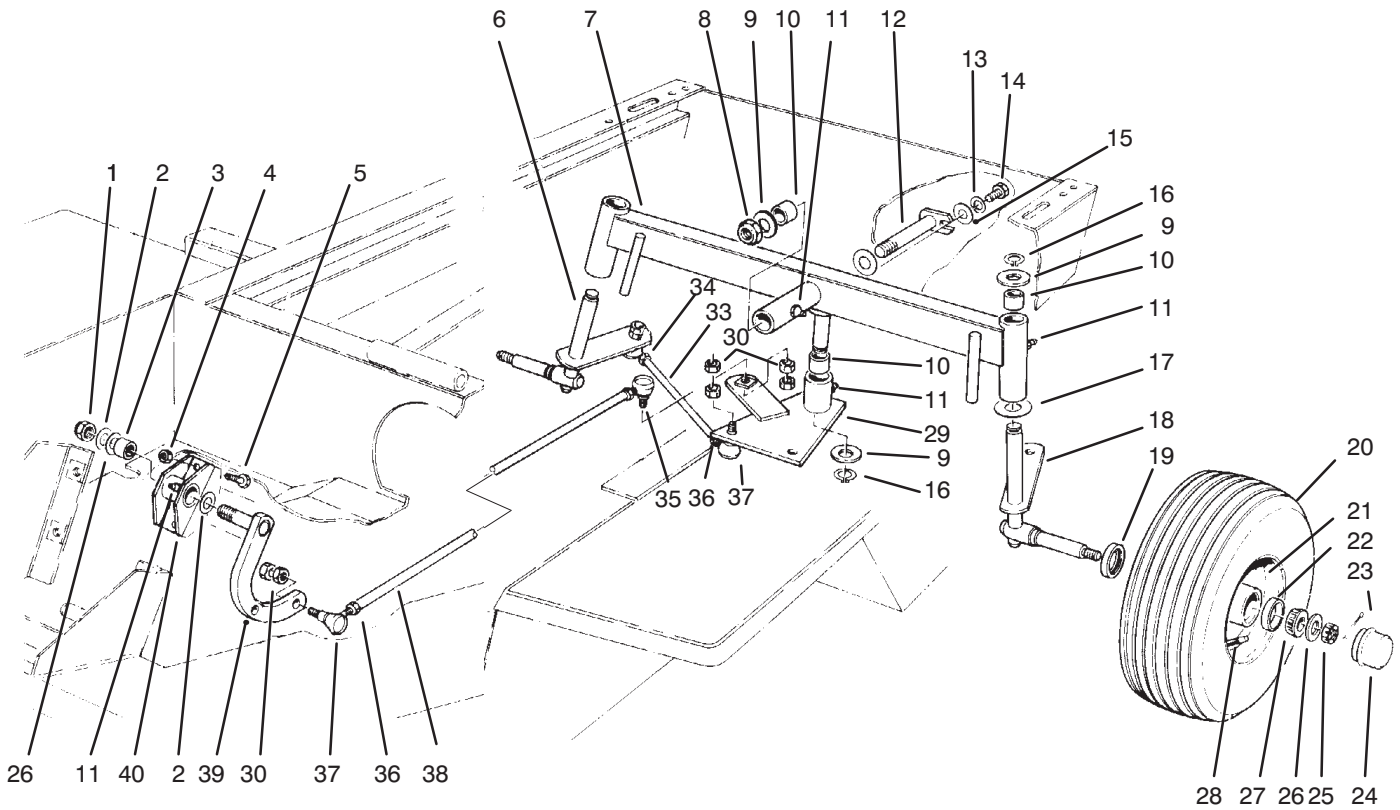


T-0688

ENGINE ASSEMBLY

| Ref. No. | Part No. | Description | No. Used | Ref. No. | Part No. | Description | No. Used |
|----------|----------|-------------------------------------|----------|----------|----------|--|----------|
| 1 | 3234-13 | Screw - Hex Flange. Hd. | 10 | 18 | 95-2828 | Engine - Onan (Model No. P220G-I/10808H) | 1 |
| 2 | 44-8690 | Shield - Heat | 1 | 19 | 59-0710 | Hose - Fuel | 1 |
| 3 | 3296-16 | Nut - Lock | 1 | 20 | 2412-36 | Clamp - Hose | 5 |
| 4 | 44-8710 | Shroud - Engine | 1 | 21 | 3234-18 | Screw - Hex. Flange Hd. | 2 |
| 5 | 44-9010 | Bracket - Shield Support | 1 | 22 | 3235-23 | Screw - Hex. Hd. | 4 |
| 6 | 353-428 | Elbow - Male 90° | 1 | 23 | 43-5340 | Pulley - Engine | 1 |
| 7 | 22-7320 | Cooler - Oil | 1 | 24 | 71-0700 | Spacer | 1 |
| 8 | 2112-9 | Clamp | 1 | 25 | 32149-2 | Nut - Lock | 1 |
| 9 | 72-7930 | Extension | 1 | 26 | 10-7160 | Assembly - Wire | 2 |
| 10 | 2412-39 | "R" Clamp | 2 | 27 | 3234-4 | Screw - Flange Hex. Hd. | 1 |
| 11 | 3290-357 | Nut - Flange Lock | 4 | 28 | 71-5960 | Filter - Fuel | 1 |
| 12 | 353-714 | Elbow - Male 45° | 1 | 29 | 71-3370 | Line - Fuel | 1 |
| 13 | 3234-11 | Screw - Flange Lock | 4 | 30 | 2412-142 | "R" Clamp | 1 |
| 14 | 44-9020 | Oil Hose Assembly | 1 | 31 | 44-9450 | Adapter - Air Inlet | 1 |
| 15 | 72-7920 | Muffler | 1 | 32 | 49-2040 | Screw - Self Tapping | 1 |
| * | 46-2390 | Muffler - Spark Arrester (Optional) | 1 | 33 | 2412-42 | Clamp - Hose | 1 |
| 16 | 2412-37 | Clamp - Muffler | 2 | 34 | 3255-7 | Washer - Lock | 1 |
| 17 | 3290-378 | Tie - Cable | 3 | 35 | 3256-3 | Washer | 1 |

*Not Illustrated



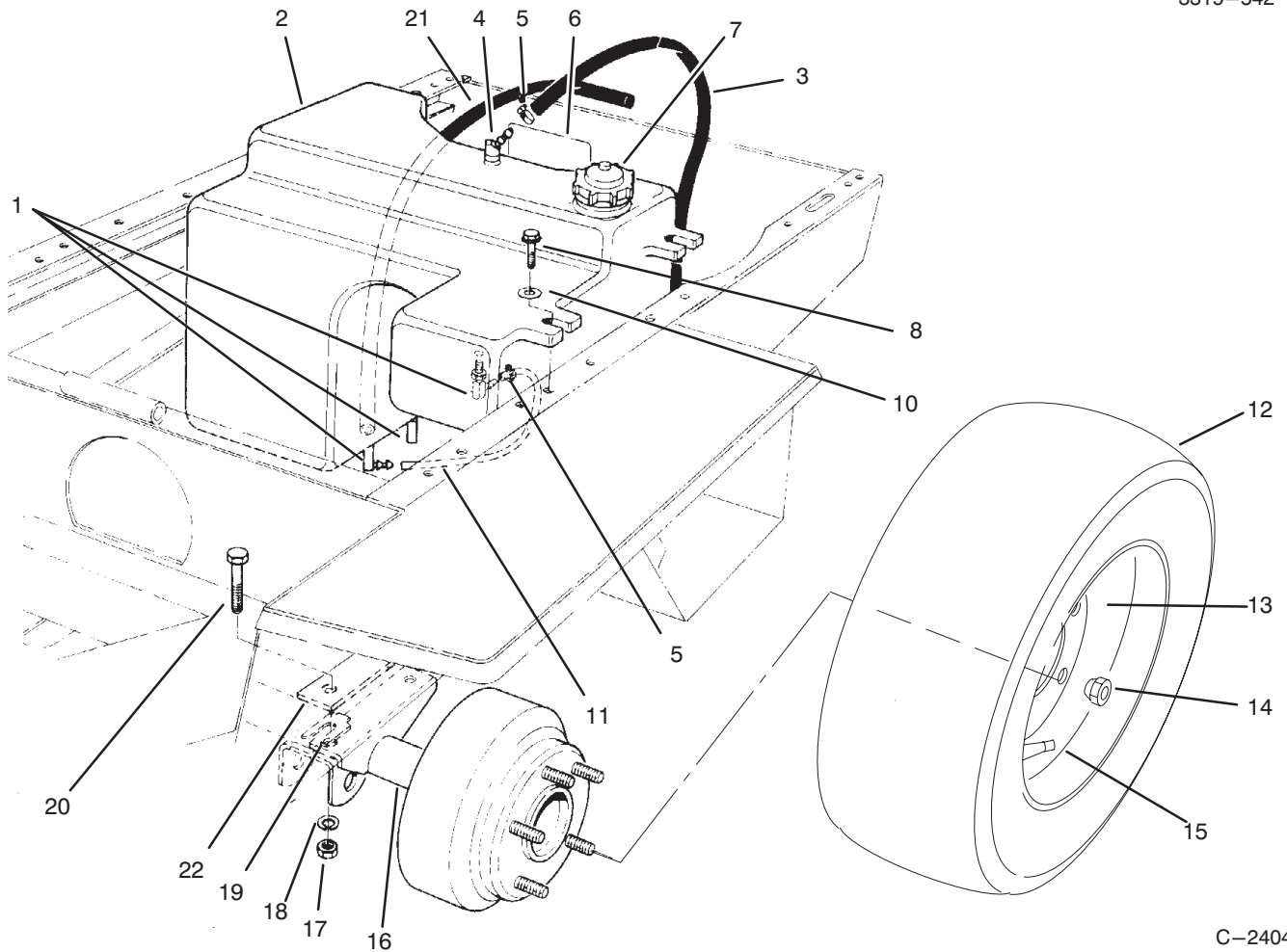
C-2403

REAR AXLE ASSEMBLY

| Ref. No. | Part No. | Description | No. Used |
|----------|----------|--------------------------------------|----------|
| 1 | 3296-15 | Nut - Lock | 1 |
| 2 | 3-6514 | Washer - Thrust | 2 |
| 3 | 252-6 | Bearing | 2 |
| 4 | 3296-44 | Nut - Lock | 2 |
| 5 | 323-5 | Screw - Hex. Hd. | 2 |
| 6 | 39-8900 | Spindle - R.H. | 1 |
| 7 | 44-9090 | Axle - Rear (Incl. Ref. #10 & 11) | 1 |
| 8 | 3296-49 | Nut - Lock | 1 |
| 9 | 10-8110 | Washer | 4 |
| 10 | 3-0348 | Bushing | 8 |
| 11 | 302-5 | Fitting - Grease | 4 |
| 12 | 27-4060 | Pin - Rear Axle | 1 |
| 14 | 3234-13 | Screw - Hex. Flange Hd. | 1 |
| 16 | 32151-36 | Ring - Retaining | 3 |
| 17 | 256-121 | Bushing | 2 |
| 18 | 39-8850 | Spindle - L.H. | 1 |
| 19 | 253-129 | Seal - Oil | 2 |
| 20 | 231-104 | Tire | 2 |
| * | 232-39 | Tube - Inner (Optional) | 2 |

| Ref. No. | Part No. | Description | No. Used |
|----------|----------|--|----------|
| 21 | 217-108 | Rim (Incl. Ref. #22) | 2 |
| 22 | 254-72 | Cup - Bearing | 4 |
| 23 | 3272-13 | Pin - Cotter | 2 |
| 24 | 241-119 | Cap - Dust | 2 |
| 25 | 32136-5 | Nut - Hex. Castle | 2 |
| 26 | 3256-28 | Washer - Flat | 3 |
| 27 | 254-94 | Cone - Bearing | 4 |
| 28 | 232-35 | Valve Stem w/Cap | 2 |
| 29 | 44-9120 | Steering Plate Assembly (Incl. Ref. #10 & 11) | 1 |
| 30 | 3220-3 | Nut - Jam | 12 |
| 33 | 27-4090 | Rod - Tie | 2 |
| 34 | 3220-12 | Nut - Hex. Jam | 3 |
| 35 | 21-0151 | Socket Assembly L.H. | 3 |
| 36 | 3220-5 | Nut - Hex. Jam | 3 |
| 37 | 21-0141 | Socket Assembly R.H. | 3 |
| 38 | 44-9110 | Tube - Steering | 1 |
| 39 | 27-5230 | Arm - Pivot | 1 |
| 40 | 27-3640 | Pivot Mount Assembly (Incl. Ref. #3 & 11) | 1 |

*Not Illustrated



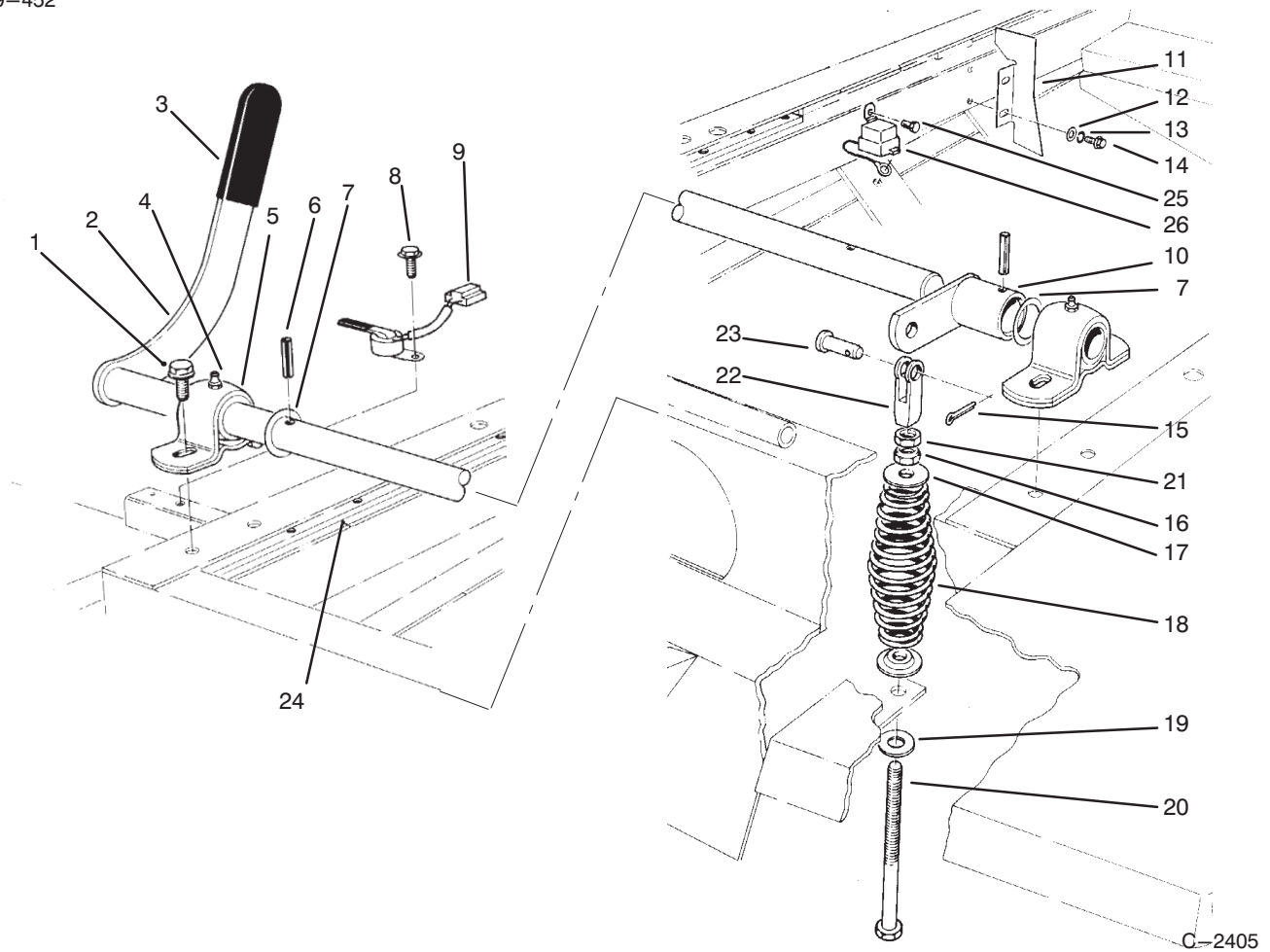
C-2404

FUEL TANK & AXLE ASSEMBLY

| Ref. No. | Part No. | Description | No. Used |
|----------|----------|------------------------------------|----------|
| 1 | 353-536 | Elbow - 90° | 3 |
| 2 | 43-5350 | Tank - Fuel (Incl. Ref. #1 & 3) | 1 |
| 3 | 37-9920 | Hose | 1 |
| 4 | 353-705 | 45° Elbow | 1 |
| 5 | 2412-108 | Clamp - Worm Drive | 5 |
| 6 | 43-8480 | Decal - Danger | 1 |
| 7 | 55-3574 | Cap - Fuel | 1 |
| 8 | 3234-18 | Screw - Hex. Hd. | 3 |
| 10 | 3256-41 | Washer - Flat | 3 |
| 11 | 61-9650 | Hose - Fuel | 1 |
| 12 | 231-103 | Tire | 2 |

| Ref. No. | Part No. | Description | No. Used |
|----------|----------|-------------------------|----------|
| 13 | 217-107 | Rim | 2 |
| 14 | 242-35 | Nut - Hex. | 10 |
| 15 | 232-35 | Valve Stem w/Cap | 2 |
| 16 | 86-9660 | Axle Assembly | 1 |
| 17 | 3217-8 | Nut - Hex. | 4 |
| 18 | 3253-6 | Washer - Lock | 4 |
| 19 | 42-6080 | Shim - Axle | A/R |
| 20 | 324-9 | Screw - Hex. Hd. | 4 |
| 21 | 71-3370 | Hose - Fuel | 1 |
| 22 | 92-6312 | Spacer | 2 |
| * | 232-43 | Tube - Inner (Optional) | 2 |

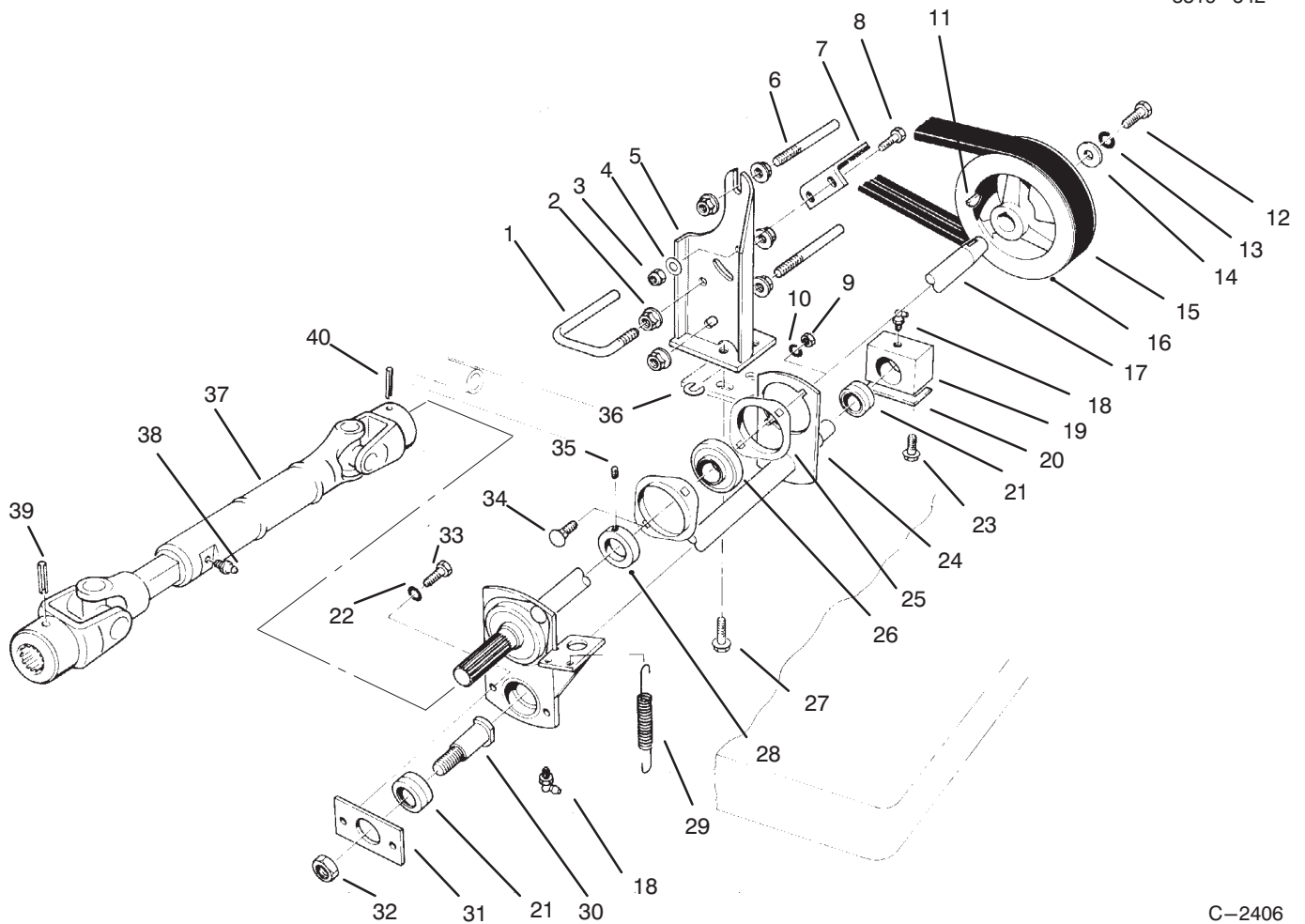
*Not Illustrated



POWER TAKE-OFF LEVER ASSEMBLY

| Ref. No. | Part No. | Description | No. Used |
|----------|-----------|-------------------------|----------|
| 1 | 3234-4 | Screw - Hex. Flange Hd. | 4 |
| 2 | 27-4910 | Lever - Power Take-Off | 1 |
| 3 | 21-1880 | Grip - Handle | 1 |
| 4 | 302-5 | Fitting - Grease | 2 |
| 5 | 251-269 | Bearing - Pillow Block | 2 |
| 6 | 32121-31 | Pin - Roll | 2 |
| 7 | 3-6514 | Washer | 2 |
| 8 | 32104-116 | Screw - Flange Hex. Hd. | 1 |
| 9 | 29-6930 | Arm - Switch | 1 |
| 10 | 47-4780 | Arm - Engagement | 1 |
| 11 | 44-8680 | Shield - Heat | 1 |
| 12 | 3256-23 | Washer - Flat | 2 |
| 13 | 3253-4 | Washer - Lock | 2 |

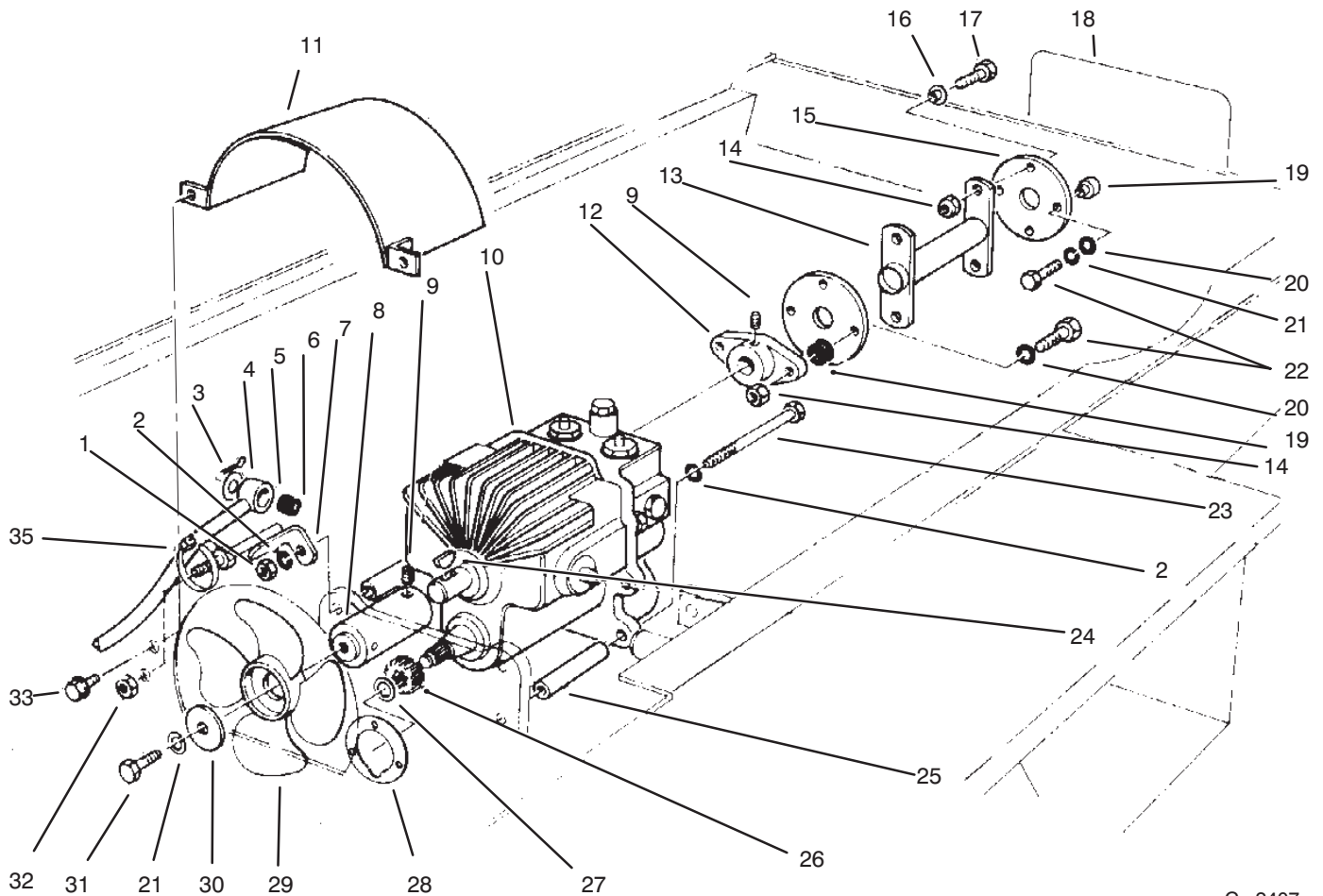
| Ref. No. | Part No. | Description | No. Used |
|----------|----------|----------------------------|----------|
| 14 | 32144-11 | Screw - Self Tap. Hex. Hd. | 2 |
| 15 | 3272-5 | Pin - Cotter | 1 |
| 16 | 3296-5 | Nut - Lock | 1 |
| 17 | 44-8890 | Retainer - Spring | 2 |
| 18 | 44-8820 | Spring - Compression | 1 |
| 19 | 3256-41 | Washer - Flat | 1 |
| 20 | 27-7900 | Screw - Adjusting | 1 |
| 21 | 3220-3 | Nut - Hex. Jam | 1 |
| 22 | 281-1 | Yoke | 1 |
| 23 | 283-42 | Pin - Clevis | 1 |
| 24 | 37-7060 | Bar - Frame Rail | 2 |
| 25 | 63-7590 | Relay | 1 |
| 26 | 32104-17 | Screw - Flange Hex. Hd. | 1 |



C-2406

POWER TAKE-OFF ASSEMBLY

| Ref. No. | Part No. | Description | No. Used | Ref. No. | Part No. | Description | No. Used |
|----------|----------|--|----------|----------|-----------|---|----------|
| 1 | 44-9220 | Guide - Belt (Lower) | 1 | 21 | 251-268 | Bearing | 2 |
| 2 | 3290-357 | Nut - Flange Lock | 6 | 22 | 3253-3 | Washer - Lock | 2 |
| 3 | 3296-29 | Nut - Lock | 2 | 23 | 3234-21 | Screw - Hex. Flange Hd. | 2 |
| 4 | 3256-23 | Washer - Flat | 2 | 24 | 44-9350 | Arm - Engagement | 1 |
| 5 | 44-9310 | Bracket - Brake | 1 | 25 | 251-255 | Bearing - Flange | 4 |
| 6 | 44-9230 | Guide - Belt | 2 | 26 | 251-253 | Bearing w/Collar (Incl. Ref. #28 & 35) | 2 |
| 7 | 44-9330 | Support Pad Assembly Power Take-Off Brake | 1 | 27 | 3234-11 | Screw - Hex. Hd. | 3 |
| 8 | 322-4 | Screw - Hex. Hd. | 2 | 28 | 251-77 | Collar - Locking | 2 |
| 9 | 3217-6 | Nut - Hex. | 4 | 29 | 28-8950 | Spring - Extension | 2 |
| 10 | 3253-4 | Washer - Lock | 4 | 30 | 27-6970 | Stud - Bearing | 1 |
| 11 | 3257-5 | Key - Woodruff | 1 | 31 | 27-6650 | Retainer - Bearing | 1 |
| 12 | 323-18 | Screw - Hex. Hd. | 1 | 32 | 3296-33 | Nut - Lock | 1 |
| 13 | 3253-21 | Washer - Lock | 1 | 33 | 321-3 | Screw - Hex. Hd. | 2 |
| 14 | 29-4730 | Washer | 1 | 34 | 3230-16 | Bolt - Carriage | 4 |
| 15 | 44-8990 | V-Belt - Torque Team | 1 | 35 | 3245-1 | Screw - Set | 2 |
| 16 | 43-5320 | Pulley - P.T.O. | 1 | 36 | 28-5640 | Washer - Special | A/R |
| 17 | 27-4980 | Shaft - P.T.O. | 1 | 37 | 27-4520 | U/Joint Shaft Assembly | 1 |
| 18 | 302-40 | Fitting - Grease | 2 | 38 | 302-5 | Fitting - Grease | 1 |
| 19 | 28-9050 | Hub - Bearing | 1 | 39 | 32121-34 | Pin - Roll | 1 |
| 20 | 47-4760 | Shim - P.T.O. Block | 1 | 40 | 32121-119 | Pin - Roll | 1 |

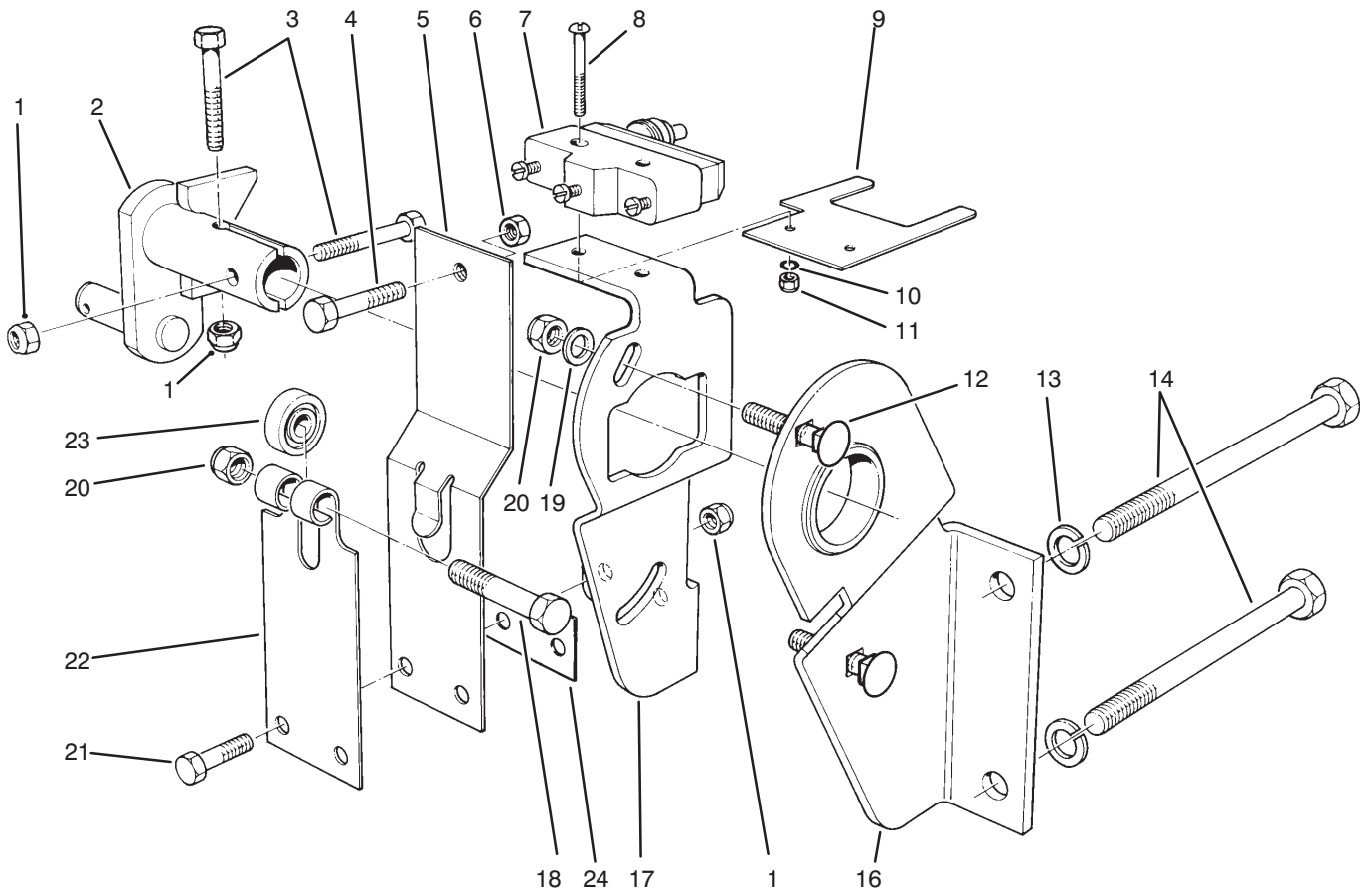


C-2407

TRANSMISSION & DRIVE COUPLING ASSEMBLY

| Ref. No. | Part No. | Description | No. Used |
|----------|----------|--------------------------|----------|
| 1 | 3217-7 | Nut - Hex. | 1 |
| 2 | 3253-21 | Washer - Lock | 3 |
| 3 | 3272-10 | Pin - Cotter | 1 |
| 4 | 3256-26 | Washer - Flat | 1 |
| 5 | 27-4160 | Tube - Pump Control | 1 |
| 6 | 23-2270 | Bushing - Rubber | 1 |
| 7 | 27-5310 | Support - Axle | 1 |
| 8 | 27-4340 | Assembly - Hub & Plug | 1 |
| 9 | 3245-1 | Screw - Set | 4 |
| 10 | 49-7910 | Transmission | 1 |
| 11 | 27-3270 | Shroud - Fan | 1 |
| 12 | 27-4370 | Hub - Pump | 1 |
| 13 | 44-8720 | Shaft - Drive | 1 |
| 14 | 32152-5 | Nut - Lock | 6 |
| 15 | 44-2230 | Coupling - Rubber | 2 |
| 16 | 27-6600 | Spacer - Rubber Coupling | 4 |
| 17 | 3210-5 | Screw - Hex. Hd. | 4 |

| Ref. No. | Part No. | Description | No. Used |
|----------|----------|-------------------------|----------|
| 19 | 33-2020 | Spacer | 4 |
| 20 | 3256-3 | Washer - Flat | 4 |
| 21 | 3253-4 | Washer - Lock | 2 |
| 22 | 3210-8 | Screw - Hex. Hd. | 4 |
| 23 | 323-38 | Screw - Hex. Hd. | 2 |
| 24 | 3257-5 | Key - Woodruff | 2 |
| 25 | 27-3680 | Spacer - Mounting | 4 |
| 26 | 86-7220 | Gear - Spur | 1 |
| 27 | 32120-72 | Ring - Retaining | 1 |
| 28 | 27-3690 | Gasket - Transmission | 1 |
| 29 | 27-3740 | Fan | 1 |
| 30 | 27-4360 | Washer | 1 |
| 31 | 322-5 | Screw - Hex. Hd. | 1 |
| 32 | 3218-5 | Nut - Hex. Jam | 2 |
| 33 | 3234-13 | Screw - Hex. Flange Hd. | 2 |
| 35 | 3290-378 | Tie - Cable | 1 |

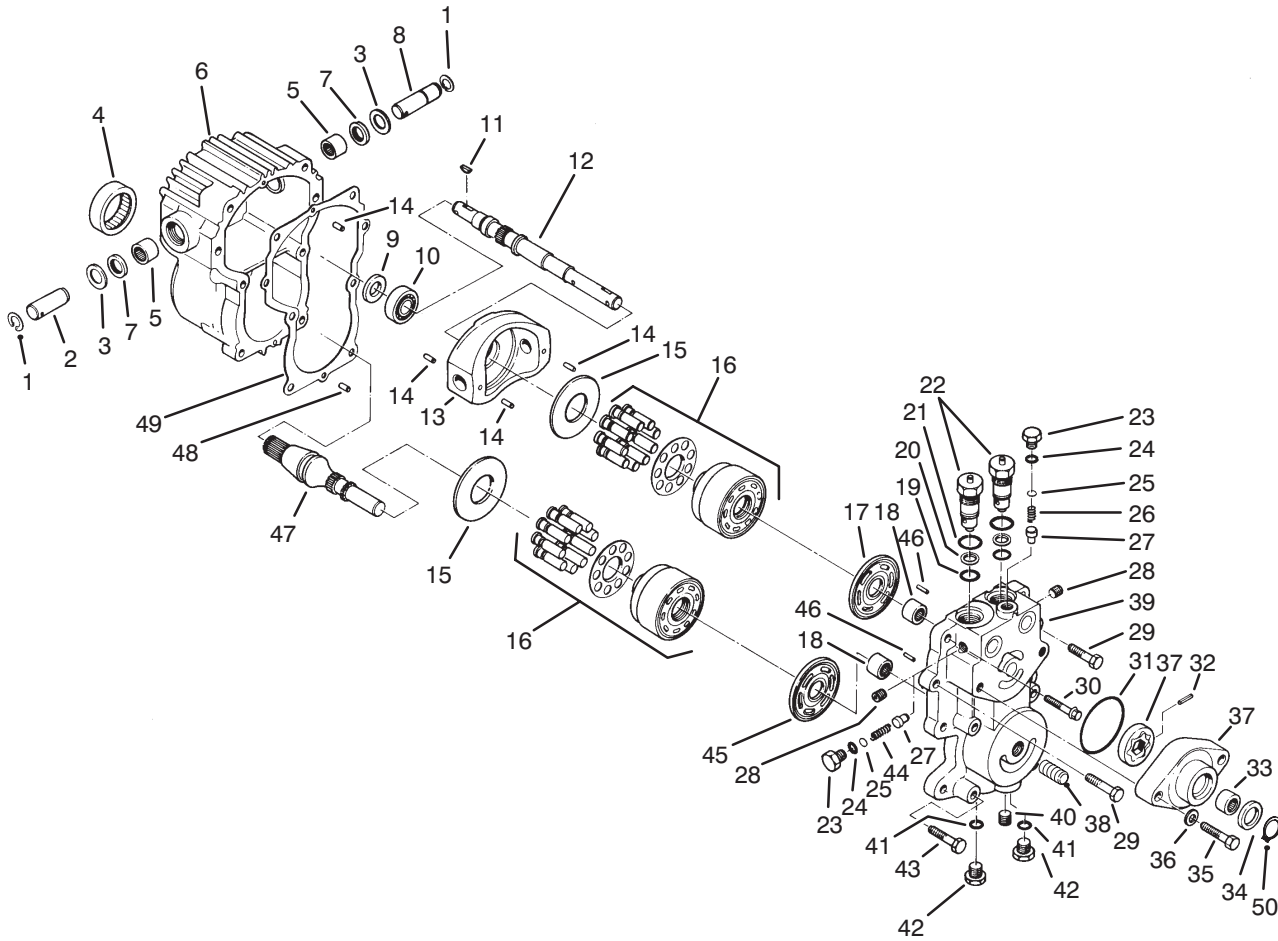


T-0538

TRANSMISSION INTERLOCK ASSEMBLY

| Ref. No. | Part No. | Description | No. Used |
|----------|----------|------------------------|----------|
| 1 | 3296-42 | Nut - Lock | 4 |
| 2 | 29-9790 | Pump - Lever | 1 |
| 3 | 321-9 | Screw - Hex. Hd. | 2 |
| 4 | 3210-7 | Screw - Hex. Hd. | 1 |
| 5 | 29-6170 | Spring - Extended Leaf | 1 |
| 6 | 3219-2 | Nut - Hex. | 1 |
| 7 | 29-6163 | Micro Switch | 1 |
| 8 | 3249-11 | Screw - Round Hd. | 2 |
| 9 | 46-8810 | Stop - Leaf Spring | 1 |
| 10 | 3254-9 | Washer - Int. Tooth | 2 |
| 11 | 3217-16 | Nut - Hex. | 2 |
| 12 | 3230-2 | Carriage - Bolt | 2 |

| Ref. No. | Part No. | Description | No. Used |
|----------|----------|--------------------|----------|
| 13 | 3253-21 | Washer - Lock | 2 |
| 14 | 323-39 | Screw - Hex. Hd. | 2 |
| 16 | 52-8890 | Bracket - Mounting | 1 |
| 17 | 52-9070 | Plate - Pump | 1 |
| 18 | 322-17 | Screw - Hex. Hd. | 1 |
| 19 | 3256-2 | Washer - Flat | 2 |
| 20 | 3296-29 | Nut - Lock | 3 |
| 21 | 321-4 | Screw - Hex. Hd. | 2 |
| 22 | 29-6150 | Spring - Leaf | 1 |
| 23 | 251-259 | Bearing - Ball | 1 |
| 24 | 51-3150 | Shim | 1 |

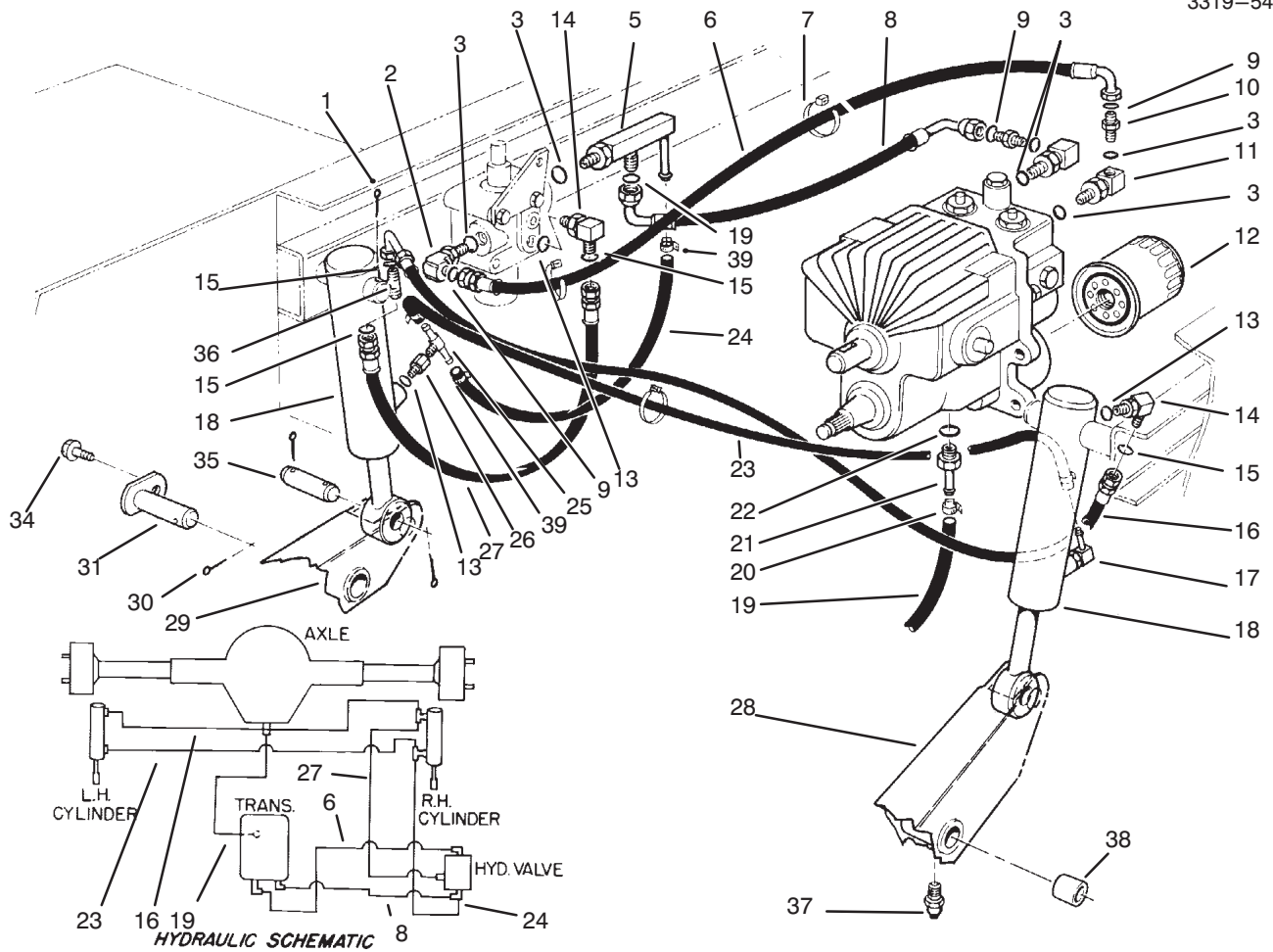


T-0536

TRANSMISSION ASSEMBLY NO. 92-5513

| Ref. No. | Part No. | Description | No. Used |
|----------|----------|---|----------|
| 1 | 32151-46 | Ring - Retaining | 2 |
| 2 | 25-2500 | Shaft - Trunion | 1 |
| 3 | 25-2510 | Washer | 1 |
| 4 | 28-3300 | Bearing - Roller | 1 |
| 5 | 28-3310 | Bearing - Needle | 2 |
| 6 | 92-5707 | Housing | 1 |
| 7 | 25-3210 | Lip Seal | 2 |
| 8 | 28-3670 | Shaft - Trunion | 1 |
| 9 | 93-4133 | Lip Seal | 1 |
| 10 | 28-3650 | Bearing - Ball | 1 |
| 11 | 3257-5 | Key - Woodruff | 2 |
| 12 | 28-3640 | Shaft - Pump | 1 |
| 13 | 49-7820 | Variable Swashplate | 1 |
| 14 | 32121-91 | Pin | 3 |
| 15 | 25-2380 | Plate - Thrust | 2 |
| 16 | 48-1800 | Kit - Cylinder Block | 2 |
| 17 | 46-7320 | Plate - Pump Valve | 1 |
| 18 | 25-3300 | Bearing - Needle | 2 |
| 19 | 28-3590 | "O"Ring | 2 |
| 20 | 28-3580 | Ring - Backup | 2 |
| 21 | 28-3570 | "O"Ring | 2 |
| 22 | 49-7830 | Assembly - Check Valve (Incl. Ref. #19-21) | 2 |
| 23 | 25-2460 | Hex Hd. Plug | 2 |
| 24 | 28-3400 | "O"Ring | 2 |
| 25 | 25-2470 | Shim Pack | A/R |
| 26 | 46-7310 | Relief Valve Spring Imp. | 1 |

| Ref. No. | Part No. | Description | No. Used |
|----------|----------|---|----------|
| 27 | 28-3420 | Relief Valve Cone Charge | 2 |
| 28 | 285-17 | Plug - Pipe | 4 |
| 29 | 323-8 | Screw - Hex. Hd. | 2 |
| 30 | 28-3530 | Screw - Hex. Hd. | 2 |
| 31 | 28-3520 | "O"Ring | 1 |
| 32 | 38-2680 | Pin | 1 |
| 33 | 28-3480 | Bearing - Needle | 1 |
| 34 | 28-3470 | Lip Seal | 1 |
| 34 | 94-2976 | Lip Seal | 1 |
| 35 | 324-23 | Screw - Hex. Hd. | 2 |
| 36 | 28-3450 | Washer - Flat | 2 |
| 37 | 38-2670 | Kit - Charge Pump (Incl. Ref. #31-34 & 50) | 1 |
| 38 | 25-2660 | Union - Filter | 1 |
| 39 | 49-7850 | Center Section | 1 |
| 40 | 92-5717 | Plug - Pipe | 1 |
| 41 | | "O"Ring | 2 |
| 42 | 28-3440 | Threaded Plug (Incl. Ref. #41) | 2 |
| 43 | 323-10 | Screw - Hex. Hd. | 4 |
| 44 | 25-2480 | Relief Valve Spring Charge | 1 |
| 45 | 28-3380 | Plate - Motor Valve | 1 |
| 46 | 25-2430 | Pin | 2 |
| 47 | 49-8200 | Shaft - Motor | 1 |
| 48 | 28-3350 | Pin | 2 |
| 49 | 28-3340 | Gasket | 1 |
| 50 | 94-2979 | Ring - Retaining | 1 |

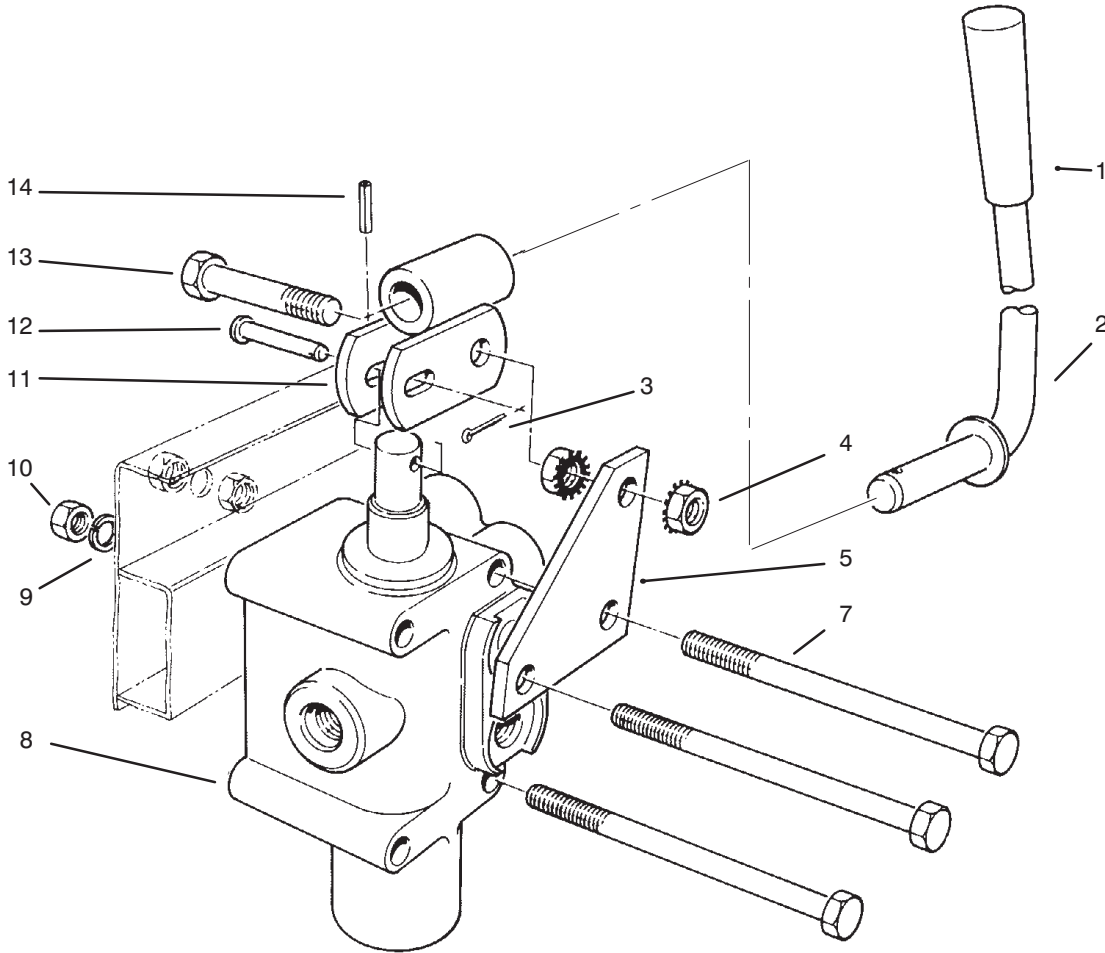


T-0691

HYDRAULIC VALVE & LIFT ARM CYLINDERS

| Ref. No. | Part No. | Description | No. Used |
|----------|----------|--------------------------|----------|
| 1 | 3272-23 | Pin - Cotter | 6 |
| 2 | 340-77 | 90° Elbow | 1 |
| 3 | 237-42 | "O"Ring | 6 |
| 5 | 71-0590 | Assembly - Fitting | 1 |
| 6 | 71-0670 | Hose - Trans. to Valve | 1 |
| 7 | 3290-378 | Tie - Cable | 3 |
| 8 | 66-8190 | Hose | 1 |
| 9 | 237-22 | "O"Ring | 4 |
| 10 | 82-8530 | Fitting - Straight | 2 |
| 11 | 66-3110 | Fitting | 2 |
| 12 | 23-2300 | Filter - Oil | 1 |
| 13 | 237-78 | "O"Ring | 3 |
| 14 | 71-3270 | 90° Elbow | 2 |
| 15 | 237-150 | "O"Ring | 4 |
| 16 | 71-0680 | Hose | 1 |
| 17 | 304-99 | 90° Barb Hose Stem | 1 |
| 18 | 68-9700 | Assembly - Hyd. Cylinder | 2 |
| 19 | 66-8130 | Hose | 1 |
| 20 | 2412-36 | Clamp - Worm Drive | 4 |

| Ref. No. | Part No. | Description | No. Used |
|----------|----------|-----------------------------|----------|
| 21 | 354-24 | Fitting (Incl. Ref. #22) | 1 |
| 22 | 237-80 | "O"Ring | 1 |
| 23 | 27-4480 | Hose - Pressure, Low | 1 |
| 24 | 71-3770 | Hose - Pressure, Low | 1 |
| 25 | 353-567 | Fitting - Tee, Male | 1 |
| 26 | 353-565 | Fitting - Connector | 1 |
| 27 | 71-0690 | Hose - Cyl. Tee to Valve | 1 |
| 28 | 76-3090 | Arm - Lift, L.H. | 1 |
| 29 | 76-3080 | Arm - Lift, R.H. | 1 |
| 30 | 3272-17 | Pin - Cotter | 2 |
| 31 | 27-4310 | Pin - Pivot | 2 |
| 34 | 3232-13 | Screw - Hex. Flange Hd. | 2 |
| 35 | 27-4240 | Pin - Cylinder | 2 |
| 36 | 340-125 | Fitting - Tee, Adjustment | 1 |
| 37 | 302-62 | Fitting - Grease | 2 |
| 38 | 256-101 | Bushing | 4 |
| 39 | 2412-108 | Clamp | 4 |

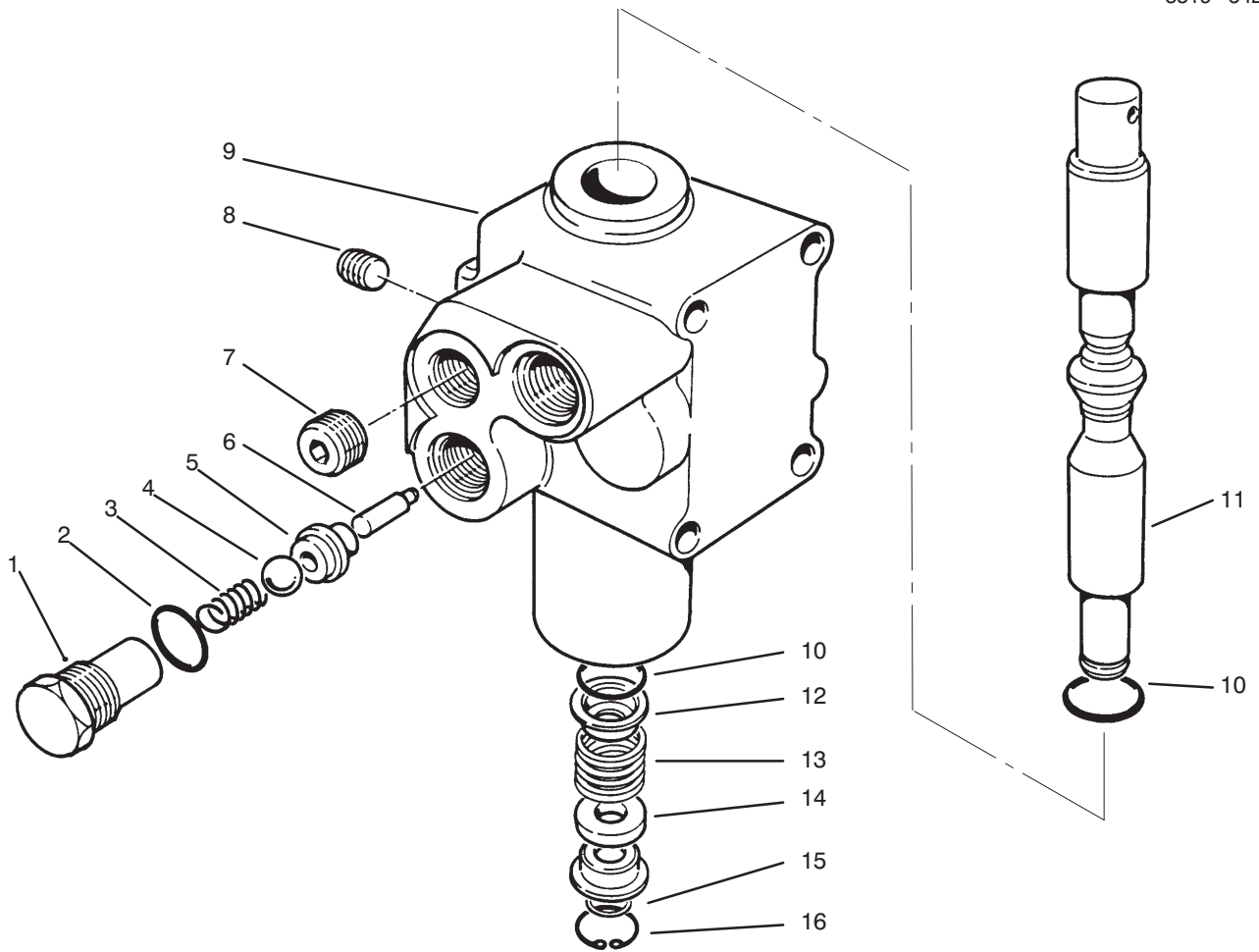


T-0704

VALVE & LEVER ASSEMBLY

| Ref. No. | Part No. | Description | No. Used |
|----------|----------|-------------------|----------|
| 1 | 233-39 | Knob | 1 |
| 2 | 27-4200 | Lever - Valve | 1 |
| 3 | 3272-6 | Pin - Cotter | 1 |
| 4 | 32149-2 | Nut - Lock | 2 |
| 5 | 27-4230 | Bracket - Valve | 1 |
| 7 | 321-24 | Screw - Hex. Hd. | 3 |
| 8 | 43-1700 | Valve - Hydraulic | 1 |

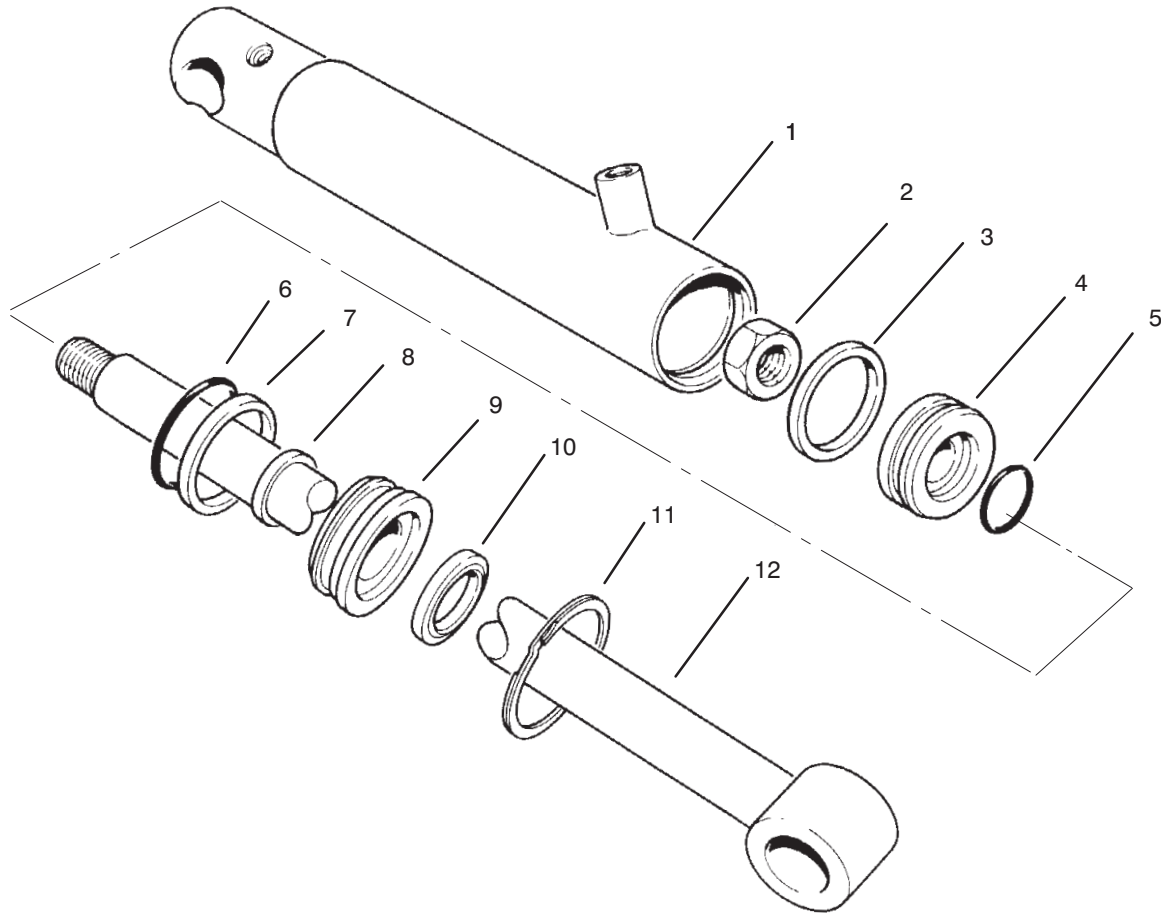
| Ref. No. | Part No. | Description | No. Used |
|----------|----------|-----------------------|----------|
| 9 | 3253-3 | Washer - Lock | 2 |
| 10 | 32128-33 | Nut - Hex. Flange Hd. | 4 |
| 11 | 27-4220 | Link - Lever, Valve | 1 |
| 12 | 283-17 | Pin - Clevis | 1 |
| 13 | 321-10 | Screw - Hex. Hd. | 1 |
| 14 | 32121-73 | Pin - Roll | 1 |



T-0692

VALVE ASSEMBLY NO. 43-1700

| Ref. No. | Part No. | Description | No. Used | Ref. No. | Part No. | Description | No. Used |
|----------|----------|--------------------|----------|----------|----------|-------------------|----------|
| 1 | 22-8330 | Plug | 1 | 9 | | Body | 1 |
| 2 | 237-42 | "O"Ring | 1 | 10 | 22-8500 | "O"Ring | 2 |
| 3 | 22-8340 | Spring | 1 | 11 | 27-5210 | Spool | 1 |
| 4 | 22-8350 | Ball | 1 | 12 | 22-8380 | Retainer - Spring | 2 |
| 5 | 22-8370 | Seat - Check Valve | 1 | 13 | 22-8410 | Spring | 1 |
| 6 | 22-8360 | Pin - Cam | 1 | 14 | 27-5200 | Spacer - Float | 1 |
| 7 | 28-1130 | Plug | 1 | 15 | 22-8480 | Snap Ring - Spool | 1 |
| 8 | 28-1120 | Plug | 1 | 16 | 22-8490 | Ring - Retaining | 1 |



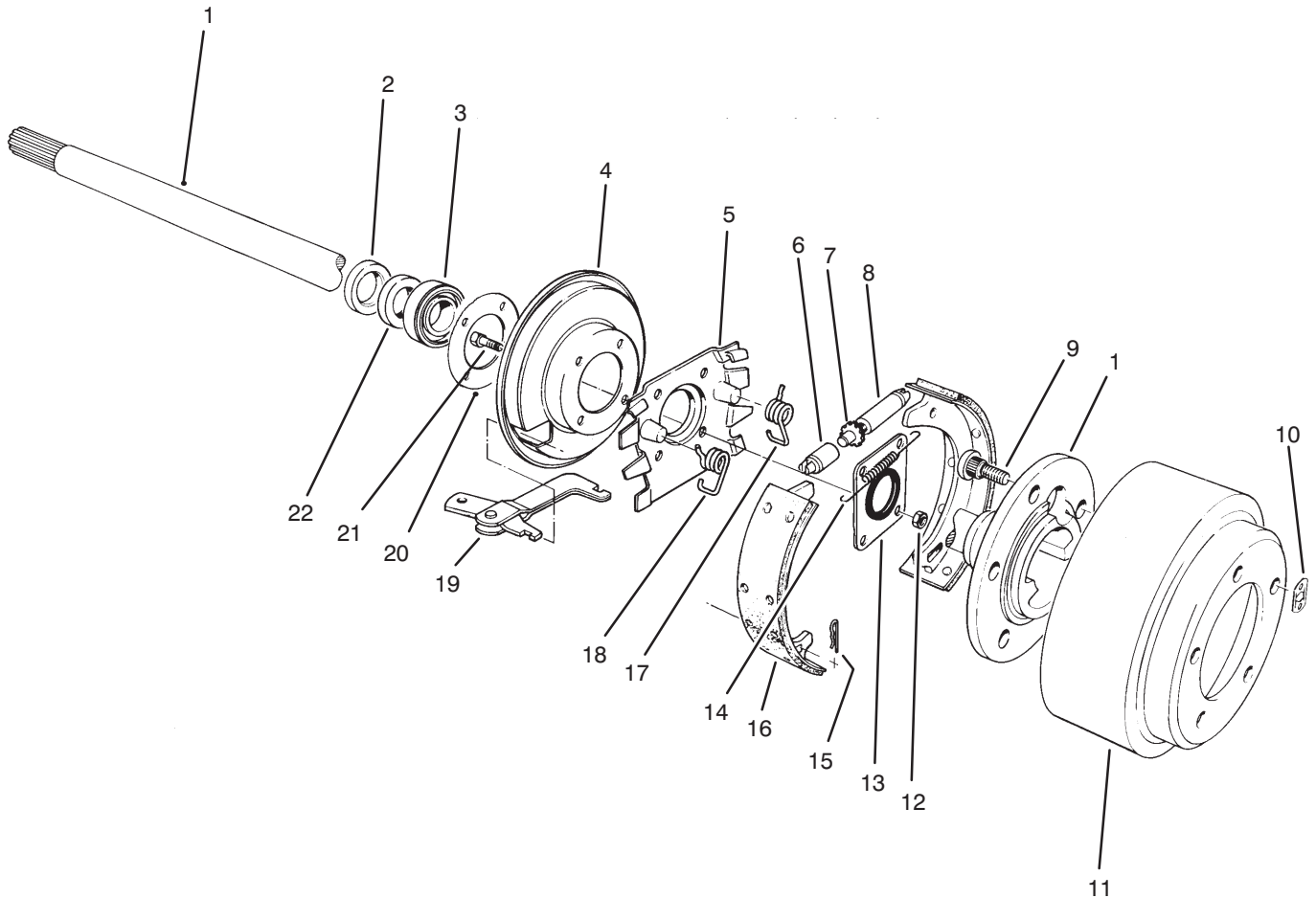
T-0689

HYDRAULIC CYLINDER NO. 68-9700

| Ref. No. | Part No. | Description | No. Used |
|----------|----------|-----------------|----------|
| 1 | | Assembly - Tube | 1 |
| 2 | 32152-10 | Nut - Jam | 1 |
| 3 | | Uniring | 3 |
| 4 | 70-2780 | Piston | 1 |
| 5 | | "O"Ring | 1 |
| 6 | | "O"Ring, Head | 2 |
| 7 | | Backup | 1 |

| Ref. No. | Part No. | Description | No. Used |
|----------|----------|--|----------|
| 8 | | Poly-Pack | 1 |
| 9 | 70-2770 | Head | 1 |
| 10 | | Seal - Dust | 1 |
| 11 | 43-5220 | Ring - Retaining | 1 |
| 12 | 43-5230 | Shaft w/Clevis | 1 |
| * | 70-2790 | Kit - Seal Repair (Incl. Ref. #3, 5-8 & 10) | 1 |

*Not Illustrated



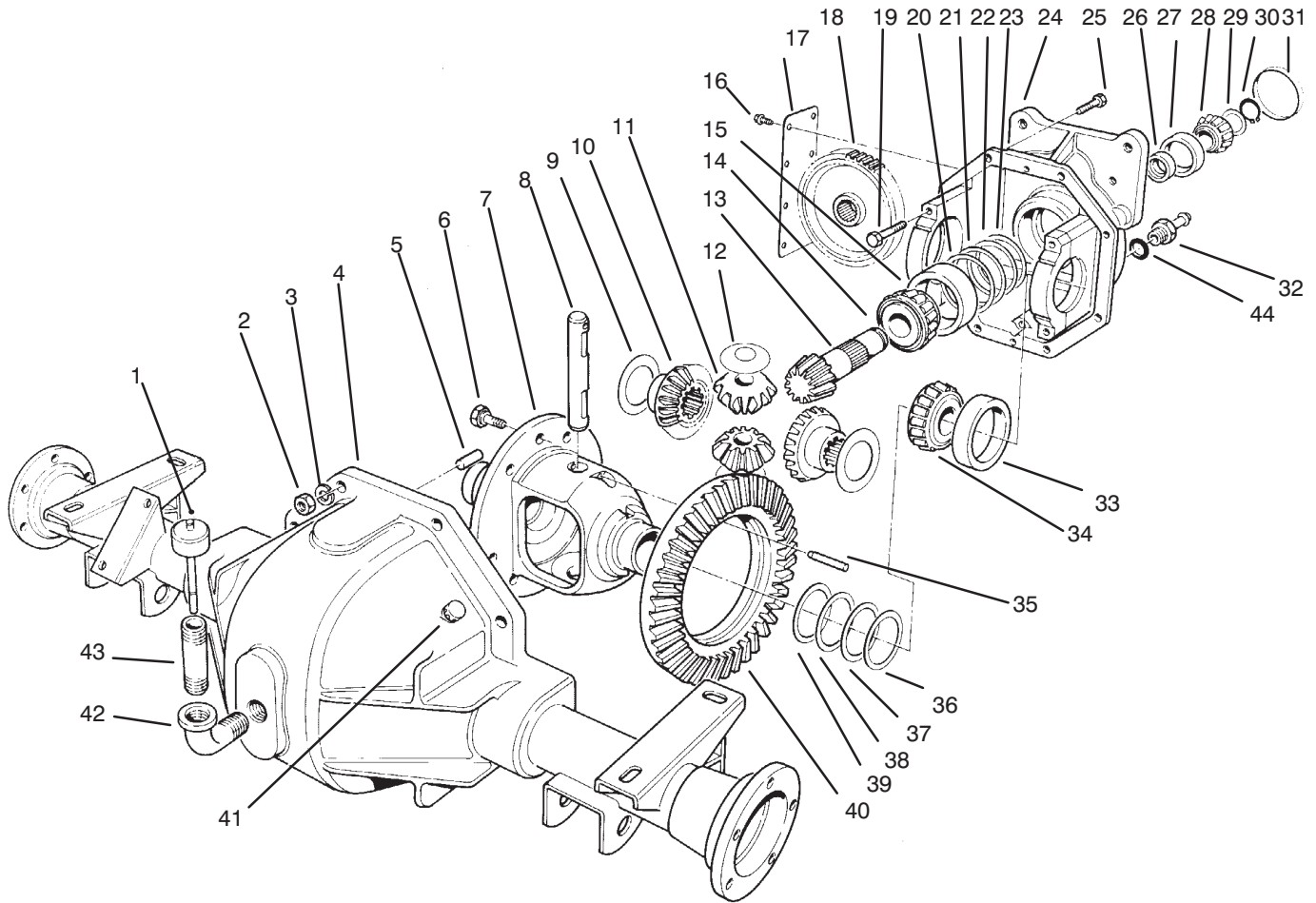
T-0535

BRAKE ASSEMBLY

| Ref. No. | Part No. | Description | No. Used |
|----------|----------|--------------------------|----------|
| 1 | 27-6860 | Shaft - Axle L.H. | 1 |
| * | 27-6850 | Shaft - Axle R.H. | 1 |
| 2 | 21-8330 | Oil Seal | 2 |
| 3 | 21-8180 | Bearing - Tapered Roller | 2 |
| 4 | 21-9450 | Dust Shield | 2 |
| 5 | 40-2190 | Torque Spider | 2 |
| 6 | 21-9390 | Socket - Adjusting Screw | 2 |
| 7 | 21-9370 | Adjusting Screw | 2 |
| 8 | 21-9380 | Nut - Pivot | 2 |
| 9 | 242-34 | Stud - Axle Flange | 10 |
| 10 | 21-8360 | Clip - Retaining | 2 |
| 11 | 28-0680 | Brake Drum | 2 |

| Ref. No. | Part No. | Description | No. Used |
|----------|----------|-----------------------------|----------|
| 12 | 43-6800 | Nut - Lock, Flange Hd. | 8 |
| 13 | 28-0670 | Oil Seal | 2 |
| 14 | 21-9440 | Screw - Spring Adjusting | 2 |
| 15 | 21-9460 | Retainer - Parking Brake | 4 |
| 16 | 43-2690 | Assy. - Shoe & Lining | 4 |
| 17 | 21-9420 | Spring - Shoe Return L.H. | 2 |
| 18 | 21-9430 | Spring - Shoe Return R.H. | 2 |
| 19 | 27-6880 | Strut/Lever - Parking Brake | 2 |
| 20 | 21-8320 | Gasket - Wheel Bearing | 2 |
| 21 | 28-0660 | Screw - Hex. Hd. | 8 |
| 22 | 24-8840 | Ring - Wheel Bearing | 2 |
| * | 84-8600 | Set - Brake Shoe (4 Shoes) | 1 |

*Not Illustrated



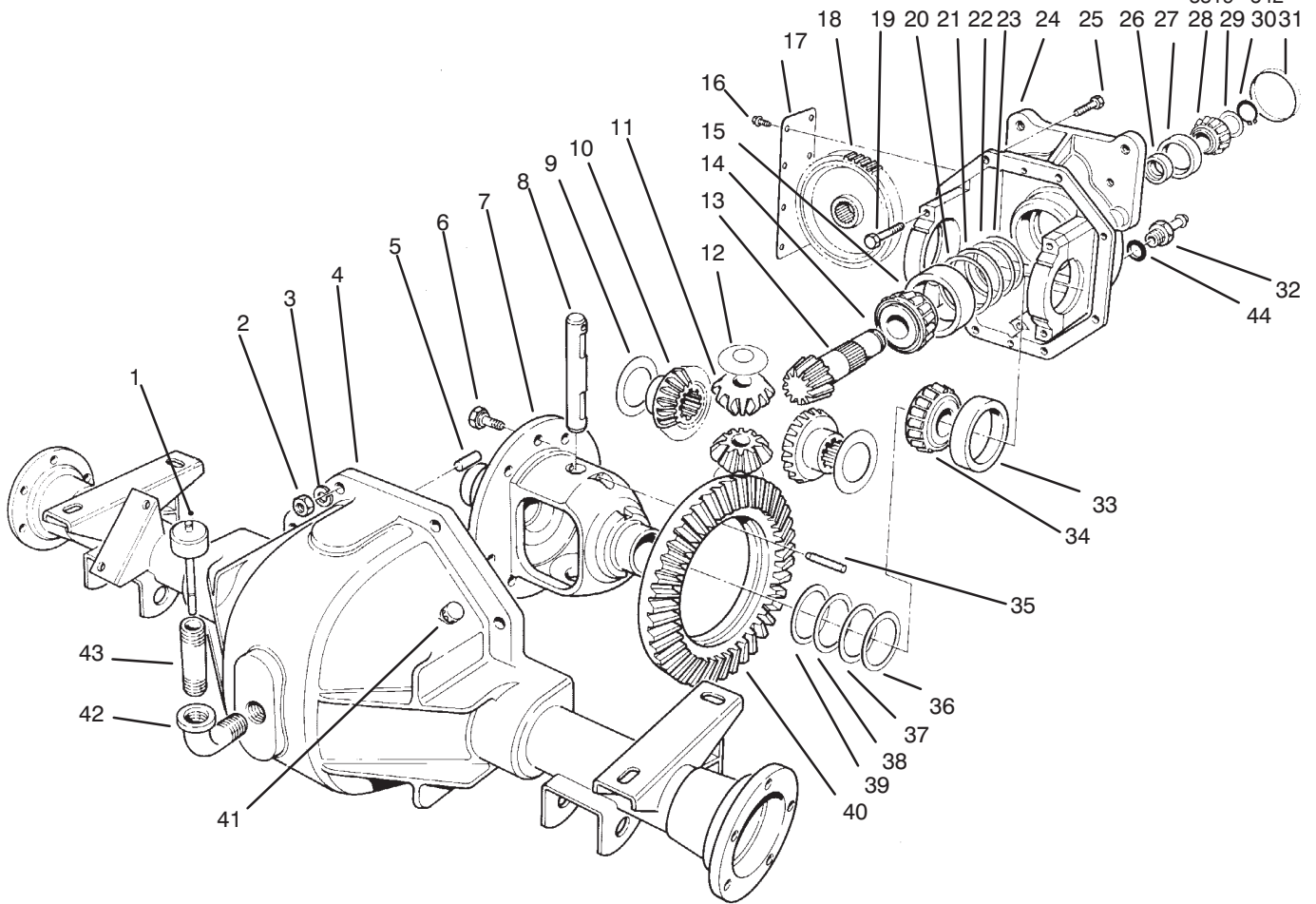
T-0690

DIFFERENTIAL ASSEMBLY

| Ref. No. | Part No. | Description | No. Used |
|----------|----------|--|----------|
| 1 | 27-3710 | Dipstick | 1 |
| 2 | 3219-2 | Nut | 8 |
| 3 | 3255-8 | Washer - Lock | 8 |
| 4 | 43-6850 | Assembly - Lower Housing | 1 |
| 5 | 21-8270 | Pin - Dowel | 2 |
| 6 | 21-7770 | Screw - Drive Gear | 5 |
| 7 | 21-7670 | Case - Differential | 1 |
| 8 | 21-7700 | Shaft - Pinion Mate | 1 |
| 9 | 21-7720 | Washer - Thrust | 2 |
| 10 | 24-8790 | Gear - Bevel Diff. Side | 2 |
| 11 | 21-7690 | Gear - Pinion | 2 |
| 12 | 21-7730 | Washer - Thrust | 2 |
| 13 | | Pinion - Drive (Incl. Ref. #40) | 1 |
| 14 | 43-6760 | Cone - Bearing | 1 |
| 15 | 43-6750 | Cup - Bearing | 1 |
| 16 | 12-5450 | Screw - Thread Forming | 8 |
| 17 | 21-7830 | Cover - Gear | 1 |
| 18 | 86-7230 | Gear - Spur | 1 |
| 19 | 324-23 | Screw - Hex. Hd. | 4 |
| 20 | 43-6710 | Shim - Adjusting .003 | A/R |
| 21 | 43-6711 | Shim - Adjusting .005 | A/R |
| 22 | 43-6712 | Shim - Adjusting .010 | A/R |
| 23 | 43-6713 | Shim - Adjusting .030 | A/R |
| 24 | 86-7930 | Upper Housing Assembly (Incl. Ref. #19) | 1 |

| Ref. No. | Part No. | Description | No. Used |
|----------|----------|---------------------------------------|----------|
| 25 | 3210-7 | Screw - Hex. Hd. | 8 |
| 26 | 21-8020 | Spacer - Bearing Frt. Pinion | 1 |
| 27 | 254-90 | Cup - Bearing | 1 |
| 28 | 254-91 | Cone - Bearing | 1 |
| 29 | 46-2210 | Shim - Front Pinion Bearing (.031) | A/R |
| * | 46-2211 | Shim - Front Pinion Bearing (.033) | A/R |
| * | 46-2212 | Shim - Front Pinion Bearing (.035) | A/R |
| * | 46-2213 | Shim - Front Pinion Bearing (.037) | A/R |
| * | 46-2214 | Shim - Front Pinion Bearing (.039) | A/R |
| * | 46-2215 | Shim - Front Pinion Bearing (.041) | A/R |
| * | 46-2216 | Shim - Front Pinion Bearing (.043) | A/R |
| * | 46-2220 | Shim - Front Pinion Bearing (.045) | A/R |
| * | 46-2221 | Shim - Front Pinion Bearing (.047) | A/R |
| * | 46-2222 | Shim - Front Pinion Bearing (.049) | A/R |
| * | 46-2223 | Shim - Front Pinion Bearing (.051) | A/R |

*Not Illustrated



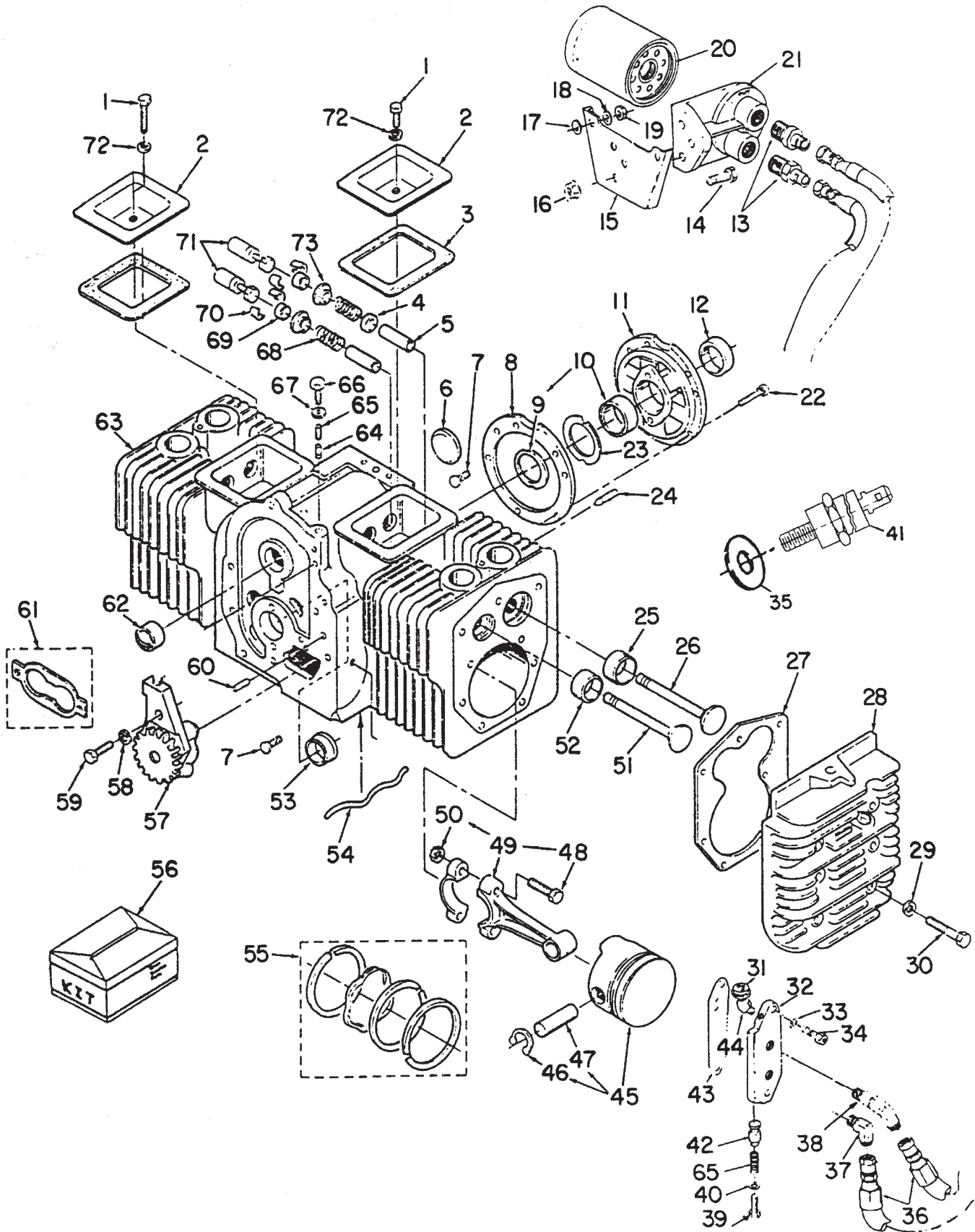
T-0690

DIFFERENTIAL ASSEMBLY (Continued)

| Ref. No. | Part No. | Description | No. Used | Ref. No. | Part No. | Description | No. Used |
|----------|----------|------------------------------------|----------|----------|----------|--|----------|
| 29 | 46-2224 | Shim - Front Pinion Bearing (.053) | A/R | 29 | 46-2423 | Shim - Front Pinion Bearing (.082) | A/R |
| * | 46-2225 | Shim - Front Pinion Bearing (.055) | A/R | * | 46-2424 | Shim - Front Pinion Bearing (.084) | A/R |
| * | 46-2226 | Shim - Front Pinion Bearing (.057) | A/R | * | 46-2425 | Shim - Front Pinion Bearing (.086) | A/R |
| * | 46-2410 | Shim - Front Pinion Bearing (.062) | A/R | * | 46-2426 | Shim - Front Pinion Bearing (.088) | A/R |
| * | 46-2411 | Shim - Front Pinion Bearing (.064) | A/R | 30 | 43-6550 | Ring - Retaining | 1 |
| * | 46-2412 | Shim - Front Pinion Bearing (.066) | A/R | 31 | 21-7850 | Plug - Cap | 1 |
| * | 46-2413 | Shim - Front Pinion Bearing (.068) | A/R | 32 | 354-18 | Fitting - Hose Barb (Incl. Ref. #44) | 1 |
| * | 46-2414 | Shim - Front Pinion Bearing (.070) | A/R | 33 | 254-66 | Cup - Bearing Tapered | 2 |
| * | 46-2415 | Shim - Front Pinion Bearing (.072) | A/R | 34 | 254-65 | Cone - Bearing Tapered | 2 |
| * | 46-2416 | Shim - Front Pinion Bearing (.074) | A/R | 35 | 32121-15 | Pin - Roll | 1 |
| * | 46-2420 | Shim - Front Pinion Bearing (.076) | A/R | 36 | 21-8090 | Shim - Diff. Adjust. .003" | A/R |
| * | 46-2421 | Shim - Front Pinion Bearing (.078) | A/R | 37 | 21-8100 | Shim - Diff. Adjust. .005" | A/R |
| * | 46-2422 | Shim - Front Pinion Bearing (.080) | A/R | 38 | 21-8110 | Shim - Diff. Adjust. .010" | A/R |
| | | | | 39 | 21-8120 | Shim - Diff. Adjust. .030" | A/R |
| | | | | 40 | | Gear - Ring | 1 |
| | | | | 41 | 72-9420 | Vent Tube Assembly | 1 |
| | | | | 42 | 2811-9 | Street Elbow 90° | 1 |
| | | | | 43 | 289-38 | Nipple - Pipe | 1 |
| | | | | 44 | 237-81 | Seal - "O" Ring | 1 |
| | | | | * | 43-6510 | Gear & Pinion Assembly (Incl. Ref. #13 & 40) | 1 |

*Not Illustrated

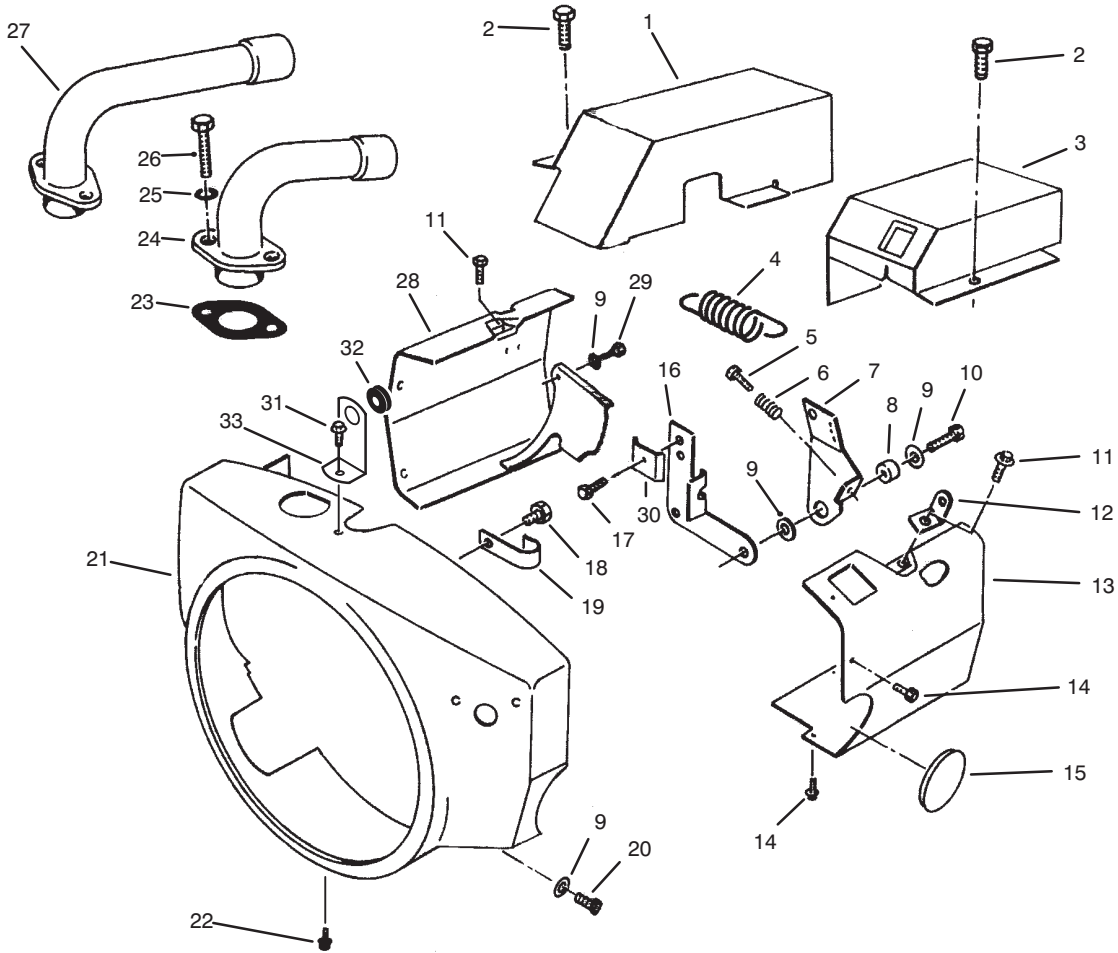
CYLINDER BLOCK ASSY. ONAN P220G TYPE I/10808H



CYLINDER BLOCK ASSY. ONAN P220G TYPE I/10808H

| Ref. No. | Part No. | Description | No. Used | Ref. No. | Part No. | Description | No. Used |
|----------|----------|---|----------|----------|----------|---|----------|
| 1 | 321-10 | Screw - Hex. Hd. | 2 | 45 | 82-1810 | Piston - .010" OS | |
| 2 | 71-5850 | Cover - Valve | 2 | | | (Incl. Ref. #46 & 47) | 2 |
| 3 | 57-8280 | Gasket - Valve Cover | 2 | * | 82-1820 | Piston - .020" OS | |
| 4 | 71-6180 | Seal - Intake Valve | 2 | | | (Incl. Ref. #46 & 47) | 2 |
| 5 | 71-6250 | Guide - Exhaust Valve | 2 | * | 82-1830 | Piston - .030" OS | |
| 5 | 71-6260 | Guide - Intake Valve | 2 | | | (Incl. Ref. #46 & 47) | 2 |
| 6 | 57-9690 | Plug - Welch | 1 | 46 | 57-9720 | Ring - Retaining | 4 |
| 7 | 59-0730 | Pin - Drive | 4 | 47 | 71-6310 | Pin - Piston | 4 |
| 8 | 57-8010 | Gasket | 1 | 48 | 57-8410 | Bolt - Special | 4 |
| 9 | 57-8160 | Washer - Thrust | 2 | 49 | 57-8420 | Rod - Connecting Std. | |
| 10 | 57-8050 | Bearing - Std. Crankshaft (Incl. Ref. #9) | 1 | | | (Incl. Ref. #48 & 50) | 2 |
| * | 59-0020 | Bearing - Crankshaft .002" undersize (Incl. Ref. #9) | 1 | * | 57-8430 | Rod - Conn. .010 undersize (Incl. Ref. #48 & 50) | 2 |
| * | 57-8060 | Bearing - Crankshaft .010" undersize (Incl. Ref. #9) | 1 | * | 57-8440 | Rod - Conn. .020 undersize (Incl. Ref. #48 & 50) | 2 |
| * | 59-0030 | Bearing - Crankshaft .020" undersize (Incl. Ref. #9) | 1 | * | 59-0250 | Rod - Conn. .030 undersize (Incl. Ref. #48 & 50) | 2 |
| * | 59-0040 | Bearing - Crankshaft .030" undersize (Incl. Ref. #9) | 1 | 50 | 57-9790 | Nut - Lock Hex. Crown | 4 |
| 11 | 57-8040 | Plate - Bearing | 1 | 51 | 71-5780 | Valve - Exhaust | 2 |
| 12 | 57-9590 | Seal - Oil | 1 | 52 | 59-0100 | Insert - Exhaust Valve Seat | 2 |
| 13 | 59-0660 | Hose - Oil | 2 | 53 | 57-8020 | Bearing - Flange Std. | 1 |
| 14 | 322-4 | Screw - Hex. Hd. | 3 | * | 57-9360 | Bearing - Flange .002" undersize | 1 |
| 15 | 59-0300 | Bracket | 1 | * | 57-8030 | Bearing - Flange .010" undersize | 1 |
| 16 | 59-1130 | Nut | 3 | * | 57-9800 | Bearing - Flange .020" undersize | 1 |
| 17 | 59-0840 | Washer - Flat | 2 | * | 59-0010 | Bearing - Flange .030" undersize | 1 |
| 18 | 59-0860 | Washer - Flat | 2 | 54 | 59-0290 | Tube - Oil | 1 |
| 19 | 3217-4 | Nut - Hex. | 2 | 55 | 82-1840 | Ring Set - Piston Std. | 2 |
| 20 | 57-8530 | Filter - Oil | 1 | * | 82-1850 | Ring Set - Piston .010" oversize | 2 |
| 21 | 57-8540 | Base - Filter | 1 | * | 82-1860 | Ring Set - Piston .020" oversize | 2 |
| 22 | 71-6240 | Screw - Flange | 5 | * | 82-1870 | Ring Set - Piston .030" oversize | 2 |
| 23 | 57-8170 | Shim | A/R | 56 | 71-6290 | Kit - Gasket Comp. Engine | 1 |
| 24 | 3247-4 | Screw - Socket Hd. Set | 2 | 57 | 57-8480 | Pump - Oil | 1 |
| 25 | 59-0050 | Insert - Valve Seat Std. | 2 | 58 | 3253-3 | Washer - Lock | 2 |
| * | 59-0080 | Insert - Valve Seat .010" OS | 2 | 59 | 321-6 | Screw - Hex. Hd. | 2 |
| 26 | 71-5770 | Valve - Intake | 2 | 60 | 59-0750 | Pin - Alignment | 2 |
| 27 | 57-8830 | Gasket | 2 | 61 | 57-8460 | Kit - Gasket, Oil Pump | 1 |
| 28 | 71-5820 | Head - Cylinder R.H. | 1 | 62 | 57-8000 | Bearing - Camshaft | 2 |
| 29 | 57-9770 | Washer - Flat | 18 | 63 | 82-1880 | Block - Short | 1 |
| 30 | 71-6270 | Screw - Hex. Hd. | 18 | 64 | 57-8470 | Plunger - Bypass Valve | 1 |
| 31 | 57-9490 | Switch - Low Oil Pressure | 1 | 65 | 57-8500 | Spring - Bypass Valve | 2 |
| 32 | 57-8510 | Adapter - Oil Filter | 1 | 66 | 59-0910 | Screw - Hex. Hd. | 1 |
| 33 | 57-9750 | Washer - Flat | 2 | 67 | 57-9760 | Washer - Flat | 1 |
| 34 | 3274-18 | Screw - Cap Soc. Hd. | 2 | 68 | 71-5790 | Spring - Valve | 4 |
| 35 | 3256-1 | Washer - Flat | 1 | 69 | 71-5830 | Cap - Valve | 4 |
| 36 | 57-9220 | Hose - Oil | 2 | 70 | 71-5840 | Lock - Valve Spring | 8 |
| 37 | 59-0670 | Elbow - Male (from Filter) | 1 | 71 | 57-8450 | Tappet - Valve Std. | 4 |
| 38 | 59-0680 | Elbow - Male (to Filter) | 1 | * | 59-0260 | Tappet - Valve .002" OS | 4 |
| 39 | 3211-27 | Screw - Hex. Hd. | 1 | * | 59-0270 | Tappet - Valve .005" OS | 4 |
| 40 | 57-9760 | Washer - Flat | 1 | 72 | 57-9740 | Washer - Flat | 2 |
| 41 | 72-3960 | Switch - Temp. Cut-Off | 1 | 73 | 71-5800 | Washer - Valve Spring Ret. | 4 |
| 42 | 57-8470 | Valve - By-pass Plunger | 1 | * | 71-6300 | Kit - Valve Grinding | 1 |
| 43 | 82-0520 | Gasket | 1 | | | | |
| 44 | 59-0640 | Elbow - Street 45° | 1 | | | | |
| 45 | 82-1800 | Piston - Std. (Incl. Ref. #46 & 47) | 2 | | | | |

*Not Illustrated

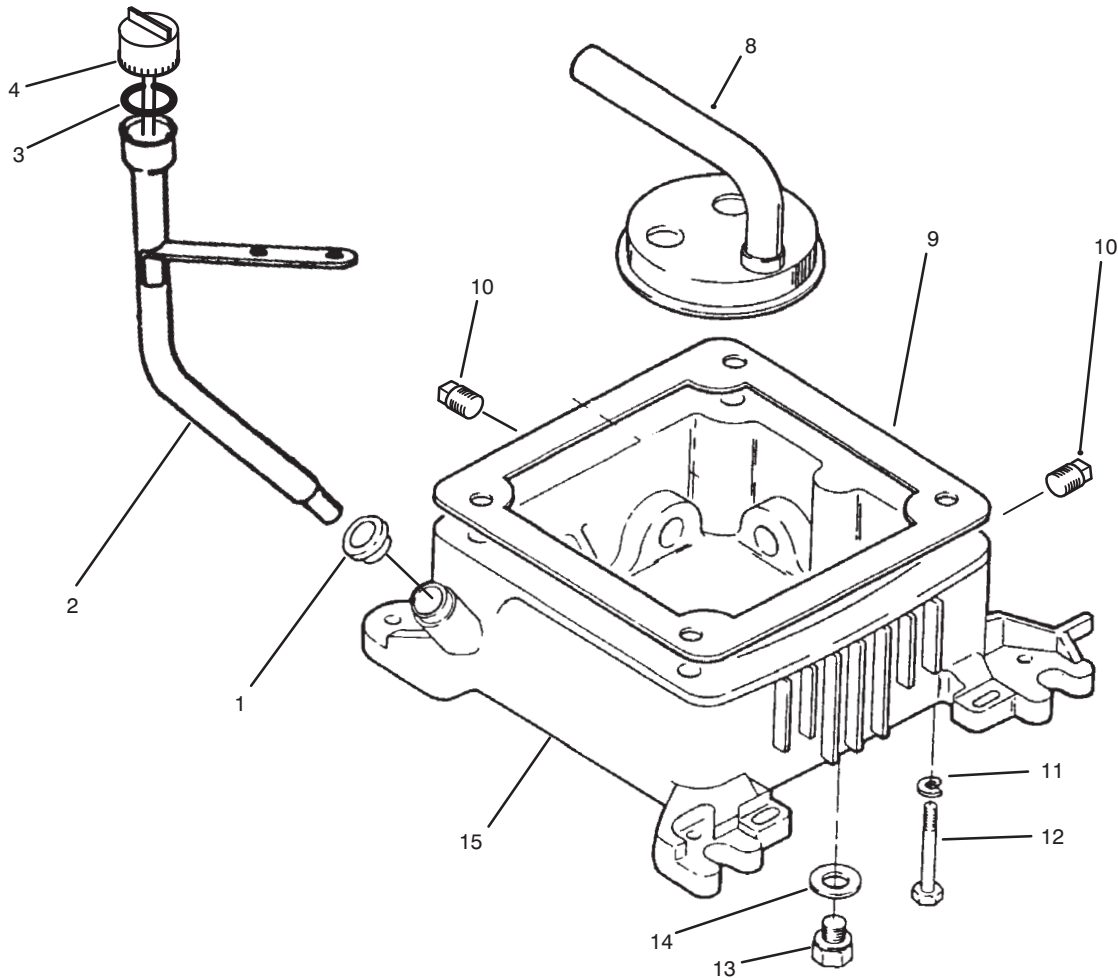


T-0755

ENGINE AIR HOUSING – ONAN P220G TYPE I/10808H

| Ref. No. | Part No. | Description | No. Used |
|----------|----------|----------------------------|----------|
| 1 | 72-3970 | Cover – Exhaust Tube L.H. | 1 |
| 2 | 59-1090 | Screw – Hex. Washer Hd. | 2 |
| 3 | 72-3980 | Cover – Exhaust Tube R.H. | 1 |
| 4 | 57-9100 | Spring | 1 |
| 5 | 59-1030 | Screw – Self Tap. Hex. Hd. | 1 |
| 6 | 59-0430 | Spring – Idle Setting | 1 |
| 7 | 57-9140 | Arm – Governor Control | 1 |
| 8 | 57-9120 | Bushing | 1 |
| 9 | 3256-1 | Washer – Flat | 8 |
| 10 | 59-1010 | Screw – Hex. Flange Hd. | 2 |
| 11 | 3234-5 | Screw – Hex. Flange Hd. | 2 |
| 12 | | Bracket – Lift | 2 |
| 13 | 71-5940 | Housing – R.H. | 1 |
| 14 | 59-1080 | Screw – Hex. Flange Hd. | 4 |
| 15 | 71-6150 | Grommet – Air Seal | 1 |
| 16 | 57-9150 | Bracket – Cable | 1 |
| 17 | 72-3900 | Screw – Self Tap. Hex. Hd. | 1 |

| Ref. No. | Part No. | Description | No. Used |
|----------|----------|----------------------------|----------|
| 18 | 3234-13 | Screw – Hex. Flange Hd. | 1 |
| 19 | 71-6220 | Clip – Wire | 1 |
| 20 | 59-0980 | Screw – Self Tap. Hex. Hd. | 4 |
| 21 | 71-5930 | Housing – Blower | 1 |
| 22 | 59-0970 | Screw – Self Tap. Hex. Hd. | 1 |
| 23 | 57-9210 | Gasket | 2 |
| 24 | 57-9230 | Outlet | 1 |
| 25 | 3256-3 | Washer – Flat | 4 |
| 26 | 322-3 | Screw – Hex. Hd. | 4 |
| 27 | 57-9240 | Outlet | 1 |
| 28 | 71-5910 | Housing – L.H. | 1 |
| 29 | 59-0980 | Screw – Self Tap Hex. Hd. | 2 |
| 30 | 57-9190 | Clamp – Cable | 1 |
| 31 | 49-2040 | Screw – Self Tapping | 1 |
| 32 | 71-6140 | Grommet | 1 |
| 33 | 71-5970 | Bracket | 1 |

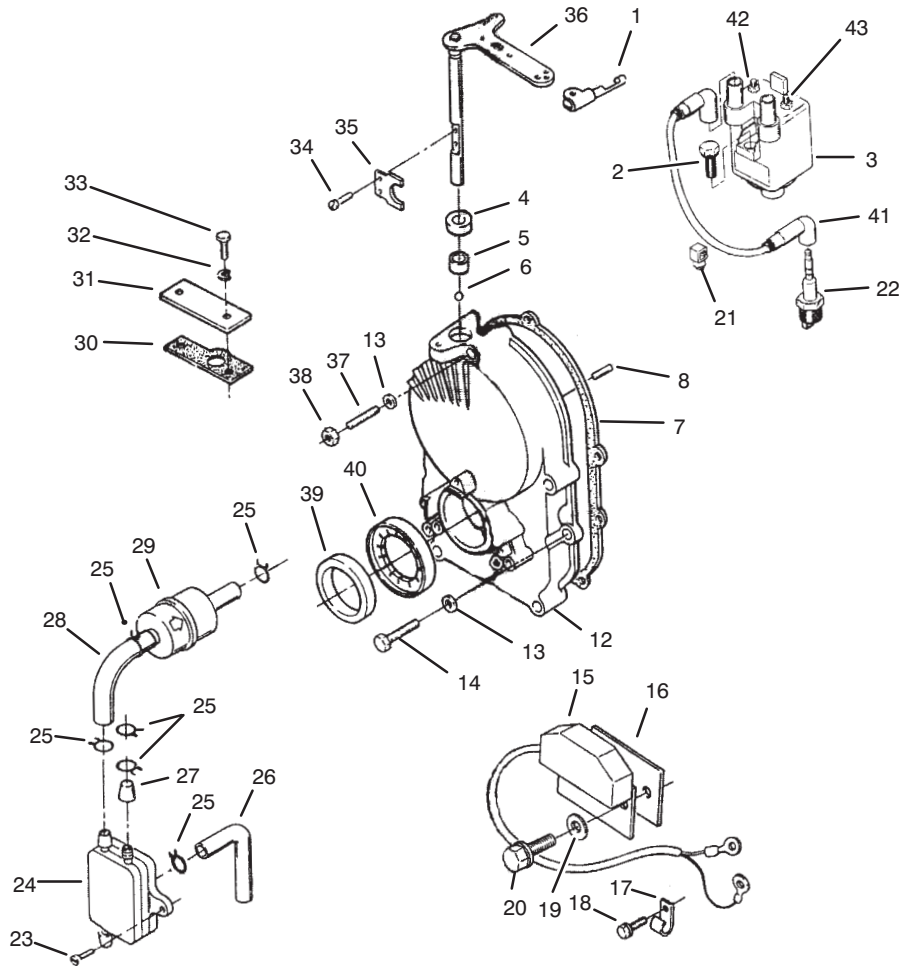


T-1261

OIL BASE & FUEL PUMP – ONAN P220G TYPE I/10808H

| Ref. No. | Part No. | Description | No. Used |
|----------|----------|-------------------------------|----------|
| 1 | 71-6170 | Seal | 1 |
| 2 | 82-1790 | Oil Fill Tube & Bracket Assy. | 1 |
| 3 | 95-2843 | "O"Ring – Upper | 1 |
| * | NN10323 | "O"Ring – Lower | 1 |
| 4 | 95-2829 | Cap (Incl. Ref. #3) | 1 |
| 8 | 57-8490 | Cup – Intake | 1 |
| 9 | 57-8090 | Gasket | 1 |

| Ref. No. | Part No. | Description | No. Used |
|----------|----------|--------------------------------------|----------|
| 10 | 281-2 | Plug | 2 |
| 11 | 3253-5 | Washer – Lock | 4 |
| 12 | 323-42 | Screw – Hex. Hd. | 4 |
| 13 | 57-8080 | Plug | 1 |
| 14 | 57-8070 | Gasket | 1 |
| 15 | 71-5730 | Base (Incl. Ref. #9, 10, 13 & 14) | 1 |



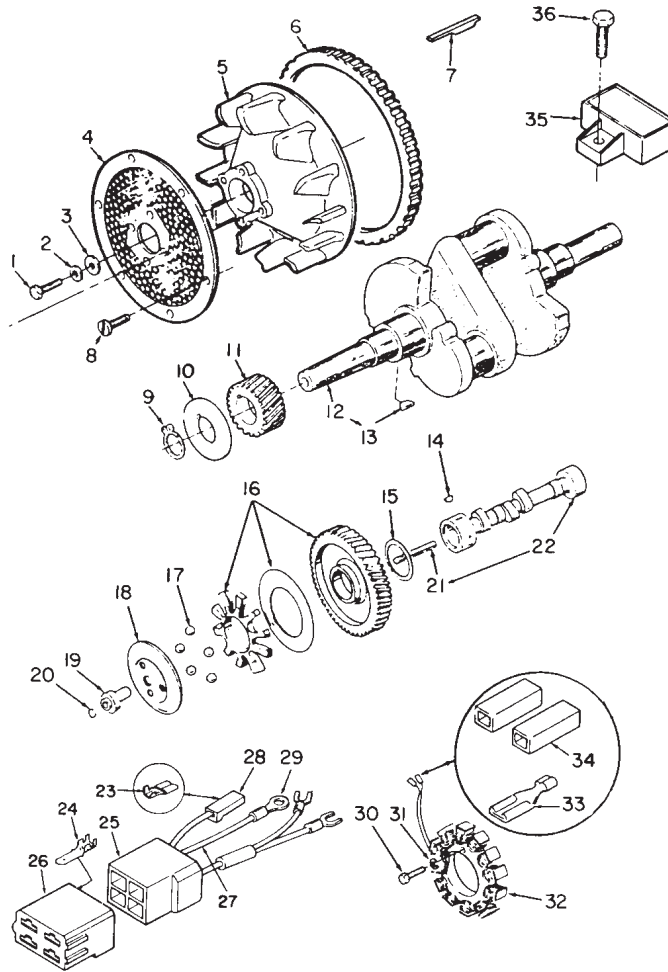
T-0754

IGNITION CONTROL – ONAN P220G TYPE I/10808H

| Ref. No. | Part No. | Description | No. Used |
|----------|----------|---|----------|
| 1 | 57-9730 | Clip – Retaining | 1 |
| 2 | 71-6460 | Screw – Flange Hex. Hd. | 2 |
| 3 | 95-2844 | Coil | 1 |
| 4 | 57-9570 | Seal – Oil | 1 |
| 5 | 57-9650 | Bearing | 1 |
| 6 | 57-9630 | Ball – Bearing | 1 |
| 7 | 71-6360 | Gasket | 1 |
| 8 | 59-0740 | Pin – Dowel | 1 |
| 12 | 71-6350 | Kit – Gearcase (Incl. Ref. #4-6, 8-11, 26, & 34-36) | 1 |
| 13 | 57-9750 | Washer – Flat | 5 |
| 14 | 322-9 | Screw – Hex. Hd. | 4 |
| 15 | 71-6380 | Control – Ignition | 1 |
| 16 | 71-6410 | Insulator | 1 |
| 17 | 71-6220 | Clip – Wire | 2 |
| 18 | 71-6450 | Screw – Flange Hex. Hd. | 1 |
| 19 | 3254-1 | Washer – Lock | 2 |
| 20 | 71-6400 | Screw – Flange Hex. Hd. | 2 |
| 21 | 71-6060 | Clip | 1 |
| 22 | 57-9340 | Plug – Spark | 2 |
| 23 | 59-1050 | Screw – Self Tap. Pan Hd. | 2 |

| Ref. No. | Part No. | Description | No. Used |
|----------|----------|-------------------------|----------|
| 24 | 57-9080 | Pump – Fuel | 1 |
| 25 | 57-9550 | Clamp | 7 |
| 26 | 71-6100 | Line – Pulse | 1 |
| 27 | 59-0370 | Cap – Fuel Fitting | 1 |
| 28 | 59-0710 | Hose | 1 |
| 29 | 71-5960 | Filter – Fuel | 1 |
| 30 | 57-9260 | Gasket – Plate | 1 |
| 31 | 71-5990 | Plate – Plunger Cover | 1 |
| 32 | 3256-1 | Washer – Flat | 2 |
| 33 | 321-3 | Screw – Hex. Hd. | 2 |
| 34 | 3250-16 | Screw – Mach. Pan Hd. | 2 |
| 35 | 59-0420 | Yoke | 1 |
| 36 | 59-0440 | Shaft | 1 |
| 37 | 59-0790 | Stud | 1 |
| 38 | 3217-6 | Nut – Hex. | 1 |
| 39 | 57-9580 | Seal – Oil | 1 |
| 40 | 71-6010 | Rotor – Ignition | 1 |
| 41 | 71-6420 | Cable – Plug 9” Long | 1 |
| 42 | 71-6440 | Nut – Flange | 1 |
| 43 | 71-6430 | Nut – Flange | 1 |
| * | 71-6020 | Cable – Plug 18.5” Long | 1 |
| * | | Bracket – Coil Mounting | 1 |

*Not Illustrated

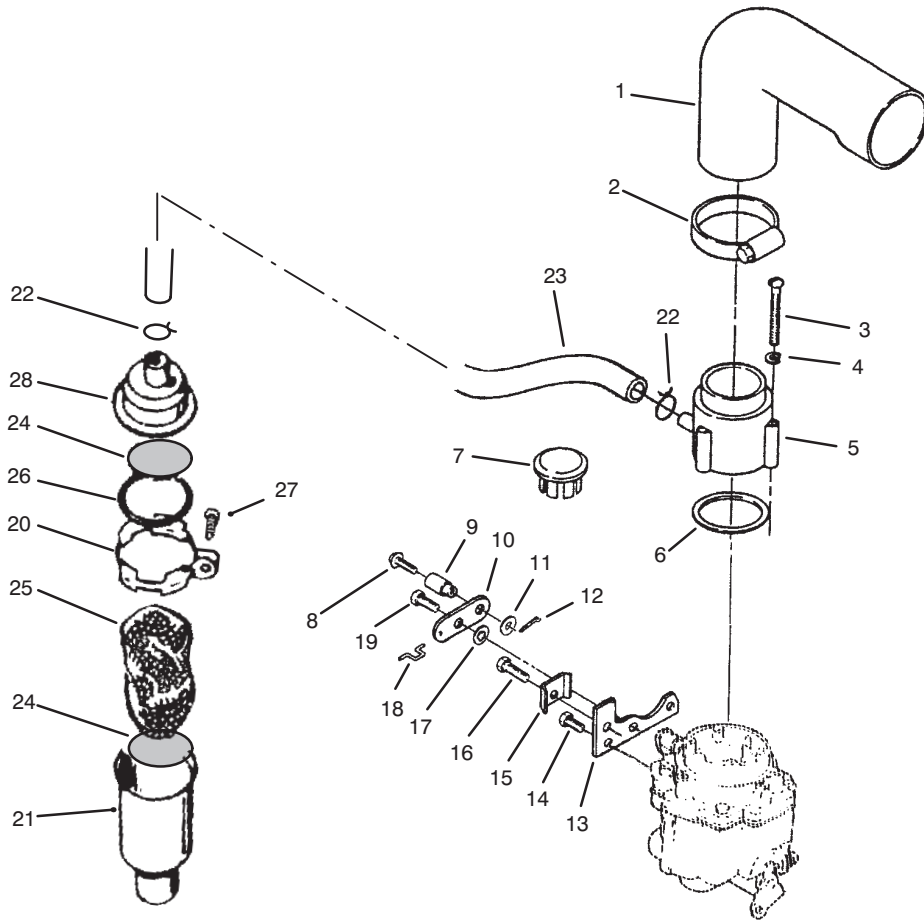


T-0756

BLOWER & CRANKSHAFT – ONAN P220G TYPE I/10808H

| Ref. No. | Part No. | Description | No. Used | Ref. No. | Part No. | Description | No. Used |
|----------|----------|--------------------------------|----------|----------|----------|---|----------|
| 1 | 57-8150 | Screw – Hex. Hd. Spec. | 1 | 20 | 57-9090 | Ring – Retaining | 1 |
| 2 | 3253-6 | Washer – Lock | 1 | 21 | 59-0400 | Pin | 1 |
| 3 | 59-0810 | Washer | 1 | 22 | 71-6320 | Camshaft (Incl. Ref. #21) | 1 |
| 4 | 71-5900 | Screw – Air Inlet | 1 | 23 | 72-4000 | Terminal – Receptacle | 5 |
| 5 | 71-5920 | Flywheel (Incl. Ref. #6) | 1 | 24 | 72-4040 | Terminal – Tab | 4 |
| 6 | 57-8180 | Gear – Ring | 1 | 25 | 72-4010 | Housing – Receptacle | 1 |
| 7 | 71-6190 | Key – Flywheel | 1 | 26 | 72-4020 | Housing – Tab | 1 |
| 8 | 71-6340 | Screw – Flange | 6 | 27 | 71-6070 | Harness – Wiring | 1 |
| 9 | 57-9710 | Ring – Retaining | 1 | 28 | 72-4030 | Housing | 1 |
| 10 | 57-8140 | Washer – Special | 1 | 29 | 72-3990 | Terminal – Ring | 1 |
| 11 | 57-8130 | Gear – Crankshaft | 1 | 30 | 71-6390 | Screw – Mach. Hex. Hd. | 3 |
| 12 | 71-5750 | Crankshaft (Incl. Ref. #13) | 1 | 31 | 3253-2 | Washer – Lock | 3 |
| 13 | 57-9660 | Key – Gear | 1 | 32 | 57-9440 | Stator | 1 |
| 14 | 57-9660 | Key – Woodruff | 1 | 33 | 59-0590 | Terminal | 3 |
| 15 | 57-8230 | Washer | 1 | 34 | 71-6370 | Body – Terminal | 2 |
| 16 | 57-8210 | Gear | 1 | 35 | 71-6030 | Regulator | 1 |
| 17 | 57-9640 | Ball – Governor | 5 | 36 | 59-1080 | Screw – Hex. Hd. | 1 |
| 18 | 59-0450 | Cup – Governor | 1 | * | 71-6230 | Kit – Connector, Harness (Incl. Ref. #24 & 26) | 1 |
| 19 | 57-9130 | Hub – Cup, Governor | 1 | | | | |

*Not Illustrated

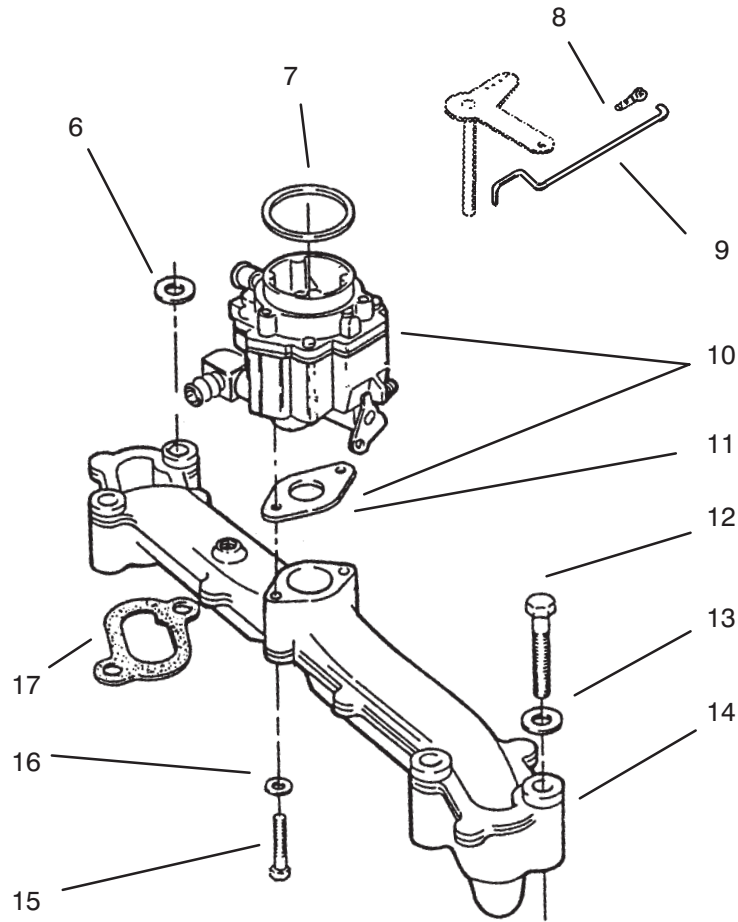


T-0770

AIR CLEANER & CHOKE – ONAN P220G TYPE I/10808H

| Ref. No. | Part No. | Description | No. Used |
|----------|----------|-------------------------|----------|
| 1 | 57-8800 | Elbow – Air Inlet | 1 |
| 2 | 59-0690 | Clamp | 2 |
| 3 | 59-0940 | Screw – Mach. Rd. Hd. | 3 |
| 4 | 3253-2 | Washer – Lock | 3 |
| 5 | 57-8720 | Adapter – Carburetor | 1 |
| 6 | 57-9620 | Seal | 1 |
| 7 | 71-6210 | Plug – Button | 1 |
| 8 | 72-3890 | Screw – Mach. Hex. Hd. | 1 |
| 9 | 57-9170 | Swivel | 1 |
| 10 | 59-0460 | Lever – Choke | 1 |
| 11 | 59-0580 | Washer – Flat | 2 |
| 12 | 59-0720 | Pin – Cotter | 1 |
| 13 | 59-0470 | Bracket | 1 |
| 14 | 72-3880 | Screw – Flange Hex. Hd. | 1 |

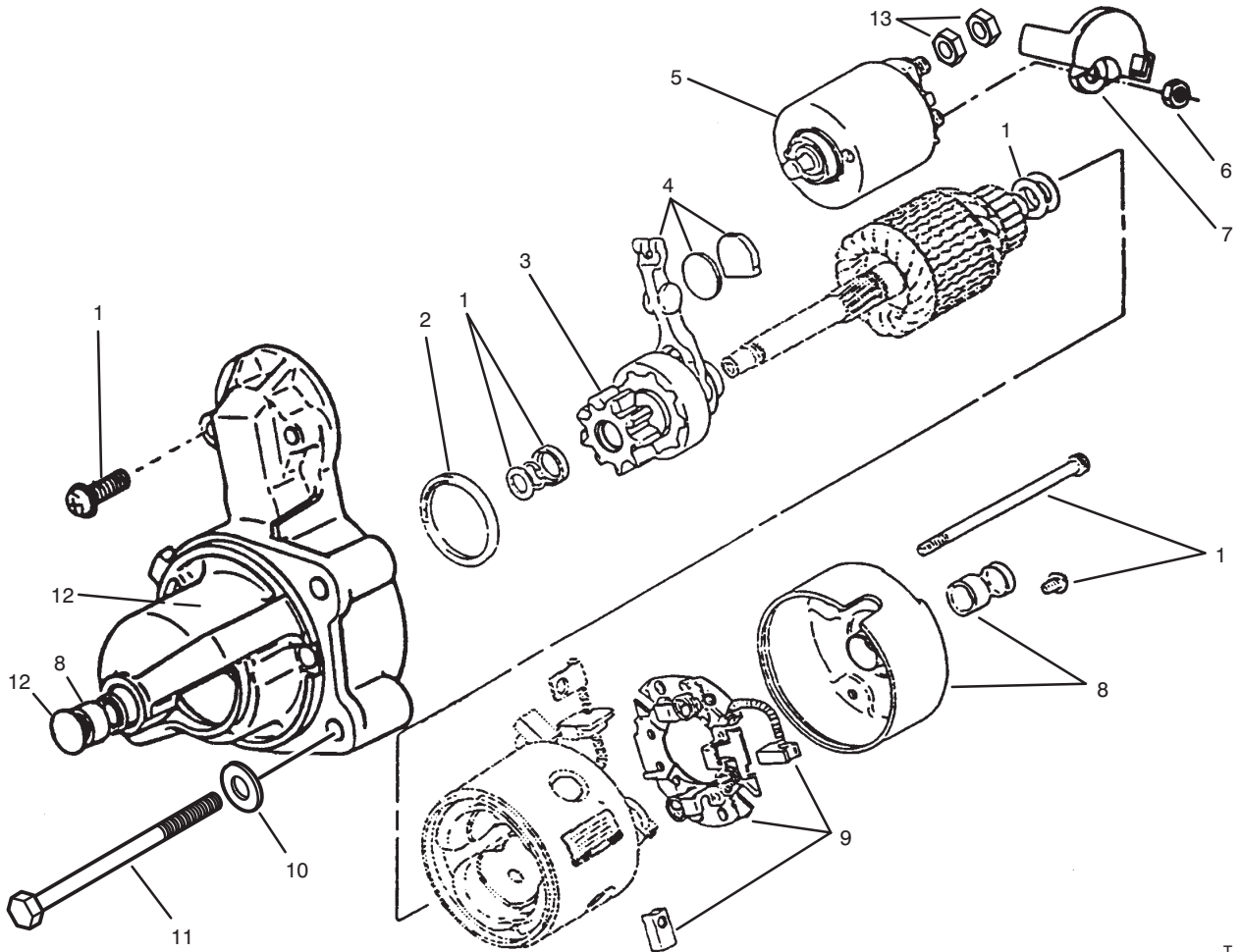
| Ref. No. | Part No. | Description | No. Used |
|----------|----------|-----------------------------|----------|
| 15 | 57-9190 | Clip | 1 |
| 16 | 72-3900 | Screw – Self Tap. Slot. Hd. | 1 |
| 17 | 3254-1 | Washer – Lock | 1 |
| 18 | 57-9180 | Link – Choke | 1 |
| 19 | 59-1020 | Screw – Shoulder | 1 |
| 20 | 82-0530 | Clamp | 1 |
| 21 | 82-0540 | Tube – Breather | 1 |
| 22 | 57-9540 | Clamp | 1 |
| 23 | 71-6130 | Hose – Breather | 1 |
| 24 | 82-0560 | Screen – Breather Tube | 2 |
| 25 | 57-8580 | Baffle – Breather Tube | 1 |
| 26 | 82-0570 | Seal – "O" Ring | 1 |
| 27 | 82-1480 | Screw – Self Tapping | 1 |
| 28 | 82-0550 | Breather Cap & Valve | 1 |



CARBURETOR LOW EMISSIONS

| Ref. No. | Part No. | Description | No. Used | Ref. No. | Part No. | Description | No. Used |
|----------|----------|--|----------|----------|----------|-------------------------|----------|
| 6 | 3256-23 | Washer - Flat | 1 | * | 94-1848 | Jet - High (Fixed Main) | 1 |
| 7 | 57-9620 | "O" Ring | 1 | * | 94-1844 | Kit - Accelerator Pump) | 1 |
| 8 | 57-9700 | Clip | 1 | 11 | 57-9200 | Gasket | 1 |
| 9 | 57-9160 | Rod - Governor Control | 1 | 12 | 322-10 | Screw - Hex. Hd. | 4 |
| 10 | 94-1847 | Kit - Carburetor (Flange Gaskets) Low Emissions NOT REPAIRABLE | 1 | 13 | 3256-23 | Washer - Flat | 4 |
| * | 94-1843 | Kit - Float (Incl. Float & Gasket) | 1 | 14 | 71-6480 | Manifold - Intake | 1 |
| | | | | 15 | 322-9 | Screw - Hex. Hd. | 2 |
| | | | | 16 | 3256-1 | Washer - Flat | 2 |
| | | | | 17 | 71-5980 | Gasket | 2 |

* Not Illustrated
NOT REPAIRABLE



T-1271

STARTER – ONAN P220G TYPE I/10808H

| Ref. No. | Part No. | Description | No. Used |
|----------|----------|-------------------------|----------|
| 1 | 62-2760 | Starter Hardware Kit | 1 |
| 2 | 72-3950 | Dust Seal Kit | 1 |
| 3 | 72-3940 | Starter Clutch Kit | 1 |
| 4 | 62-2770 | Starter Shift Lever Kit | 1 |
| 5 | 72-3930 | Starter Solenoid Kit | 1 |
| 6 | 82-1730 | Nut – Hex. | 1 |
| 7 | 82-1720 | Cap Solenoid | 1 |
| 8 | 62-2730 | Starter Bushing Kit | 1 |

| Ref. No. | Part No. | Description | No. Used |
|----------|----------|---|----------|
| 9 | 62-2740 | Starter Brush Kit | 1 |
| 10 | 57-9770 | Washer – Mounting Screw | 2 |
| 11 | 322-22 | Screw – Hex. Hd. | 2 |
| 12 | 62-2750 | Brush Mounting Kit | 1 |
| 13 | 57-6390 | Nut – Jam | 2 |
| * | 71-6040 | Starter Assembly (Incl. Ref. #1-10 & 13) | 1 |

*Not Illustrated

TORO PART NUMBER INDEX

3319-452

| Part No. | Description | Pg. No. | Ref. No. | Qty. | Part No. | Description | Pg. No. | Ref. No. | Qty. |
|----------|------------------------------|---------|----------|------|----------|----------------------------|---------|----------|------|
| 109989 | Spacer | 6 | 18 | 4 | 21-9430 | Spring - Shoe Return R.H. | 23 | 18 | 2 |
| 114495 | Nut | 3 | 7 | 1 | 21-9440 | Screw - Spring Adjusting | 23 | 14 | 2 |
| 605142 | Kit - Shim | 3 | 10 | 1 | 21-9450 | Dust Shield | 23 | 4 | 2 |
| 5666683 | Cup - Bearing | 3 | 16 | 2 | 21-9460 | Retainer - Parking Brake | 23 | 15 | 4 |
| 5666693 | Assembly - Thrust Bearing | 3 | 15 | 2 | 22-7320 | Cooler - Oil | 11 | 7 | 1 |
| 5666734 | Gasket | 3 | 13 | 1 | 22-8330 | Plug | 21 | 1 | 1 |
| 5676217 | Nut - Adjuster Lock | 3 | 1 | 1 | 22-8340 | Spring | 21 | 3 | 1 |
| 5679292 | Housing - Steering Gear | 3 | 14 | 1 | 22-8350 | Ball | 21 | 4 | 1 |
| 7801626 | Seal | 3 | 4 | 1 | 22-8360 | Pin - Cam | 21 | 6 | 1 |
| 7802160 | Seal | 3 | 5 | 1 | 22-8370 | Seat - Check Valve | 21 | 5 | 1 |
| 7802482 | Adjuster | 3 | 11 | 1 | 22-8380 | Retainer - Spring | 21 | 12 | 2 |
| 7806748 | Kit - Side Cover Service | 3 | 8 | 1 | 22-8410 | Spring | 21 | 13 | 1 |
| 7807009 | Bolt - Flange Hex. Hd. | 3 | 6 | 3 | 22-8480 | Snap Ring - Spool | 21 | 15 | 1 |
| 7812834 | Gear - Pitman Shaft | 3 | 12 | 1 | 22-8490 | Ring - Retaining | 21 | 16 | 1 |
| 7812946 | Steering Worm Assembly | 3 | 3 | 1 | 22-8500 | "O"Ring | 21 | 10 | 2 |
| 7840888 | Assembly - Adjuster | 3 | 2 | 1 | 23-2270 | Bushing - Rubber | 16 | 6 | 1 |
| 3-0348 | Bushing | 12 | 10 | 8 | 23-2300 | Filter - Oil | 19 | 12 | 1 |
| 3-3251 | Spring | 2 | 12 | 1 | 24-5790 | Weight - Rear | 9 | 13 | 1 |
| 3-6514 | Washer | 14 | 7 | 2 | 24-8790 | Gear - Bevel Diff. Side | 24 | 10 | 2 |
| 3-6514 | Washer - Thrust | 12 | 2 | 2 | 24-8840 | Ring - Wheel Bearing | 23 | 22 | 2 |
| 3-6685 | Spring | 5 | 19 | 1 | 25-2380 | Plate - Thrust | 18 | 15 | 2 |
| 3-7243 | Spring - Return | 2 | 26 | 2 | 25-2430 | Pin | 18 | 46 | 2 |
| 4-2390 | Washer | 1 | 15 | 2 | 25-2460 | Hex Hd. Plug | 18 | 23 | 2 |
| 5-7570 | Washer | 4 | 8 | 2 | 25-2470 | Shim Pack | 18 | 25A/R | |
| 6-1659 | Switch - Toggle | 8 | 10 | 1 | 25-2480 | Relief Valve Spring Charge | 18 | 44 | 1 |
| 7-3900 | Pad - Brake | 2 | 35 | 2 | 25-2500 | Shaft - Trunion | 18 | 2 | 1 |
| 10-7160 | Assembly - Wire | 11 | 26 | 2 | 25-2510 | Washer | 18 | 3 | 2 |
| 10-8110 | Washer | 12 | 9 | 4 | 25-2660 | Union - Filter | 18 | 38 | 1 |
| 12-5450 | Screw - Thread Forming | 24 | 16 | 8 | 25-3210 | Lip Seal | 18 | 7 | 2 |
| 12-5869 | Hood | 1 | 1 | 1 | 25-3300 | Bearing - Needle | 18 | 18 | 2 |
| 12-9990 | Meter - Hour | 8 | 23 | 1 | 27-2360 | Switch - Ignition | 8 | 18 | 1 |
| 18-8000 | Mount - Rubber | 9 | 8 | 2 | 27-3250 | Nonskid - Tunnel | 8 | 30 | 1 |
| 19-1470 | Screw - Shoulder | 1 | 16 | 2 | 27-3260 | Nonskid - Floor | 8 | 34 | 1 |
| 20-4840 | Clamp - Muffler | 7 | 4 | 1 | 27-3270 | Shroud - Fan | 16 | 11 | 1 |
| 21-0141 | Socket Assembly R.H. | 4 | 14 | 1 | 27-3390 | Tube - Front Steering | 2 | 39 | 1 |
| 21-0141 | Socket Assembly R.H. | 12 | 37 | 3 | 27-3550 | Rod - Brake Latch | 2 | 7 | 1 |
| 21-0141 | Socket Assembly R.H. | 2 | 40 | 2 | 27-3560 | Latch - Parking Brake | 2 | 32 | 1 |
| 21-0151 | Socket Assembly L.H. | 12 | 35 | 3 | 27-3640 | Pivot Mount Assembly | 12 | 40 | 1 |
| 21-1880 | Grip - Handle | 14 | 3 | 1 | 27-3680 | Spacer - Mounting | 16 | 25 | 4 |
| 21-3370 | Assembly - Brake Cable | 2 | 23 | 2 | 27-3690 | Gasket - Transmission | 16 | 28 | 1 |
| 21-7670 | Case - Differential | 24 | 7 | 1 | 27-3710 | Dipstick | 24 | 1 | 1 |
| 21-7690 | Gear - Pinion | 24 | 11 | 2 | 27-3740 | Fan | 16 | 29 | 1 |
| 21-7700 | Shaft - Pinion Mate | 24 | 8 | 1 | 27-4060 | Pin - Rear Axle | 12 | 12 | 1 |
| 21-7720 | Washer - Thrust | 24 | 9 | 2 | 27-4090 | Rod - Tie | 12 | 33 | 2 |
| 21-7730 | Washer - Thrust | 24 | 12 | 2 | 27-4160 | Tube - Pump Control | 16 | 5 | 1 |
| 21-7770 | Screw - Drive Gear | 24 | 6 | 5 | 27-4200 | Lever - Valve | 20 | 2 | 1 |
| 21-7830 | Cover - Gear | 24 | 17 | 1 | 27-4220 | Link - Lever, Valve | 20 | 11 | 1 |
| 21-7850 | Plug - Cap | 25 | 31 | 1 | 27-4230 | Bracket - Valve | 20 | 5 | 1 |
| 21-8020 | Spacer - Bearing Frt. Pinion | 24 | 26 | 1 | 27-4240 | Pin - Cylinder | 19 | 35 | 2 |
| 21-8090 | Shim - Diff. Adjust. .003 | 25 | 36A/R | | 27-4310 | Pin - Pivot | 19 | 31 | 2 |
| 21-8100 | Shim - Diff. Adjust. .005 | 25 | 37A/R | | 27-4340 | Assembly - Hub & Plug | 16 | 8 | 1 |
| 21-8110 | Shim - Diff. Adjust. .010 | 25 | 38A/R | | 27-4360 | Washer | 16 | 30 | 1 |
| 21-8120 | Shim - Diff. Adjust. .030 | 25 | 39A/R | | 27-4370 | Hub - Pump | 16 | 12 | 1 |
| 21-8180 | Bearing - Tapered Roller | 23 | 3 | 2 | 27-4480 | Hose - Pressure, Low | 19 | 23 | 1 |
| 21-8270 | Pin - Dowel | 24 | 5 | 2 | 27-4520 | U/Joint Shaft Assembly | 15 | 37 | 1 |
| 21-8320 | Gasket - Wheel Bearing | 23 | 20 | 2 | 27-4570 | Handle - Adjustment | 6 | 12 | 2 |
| 21-8330 | Oil Seal | 23 | 2 | 2 | 27-4720 | Shaft - Seat Pivot | 5 | 7 | 1 |
| 21-8360 | Clip - Retaining | 23 | 10 | 2 | 27-4800 | Pin - Pivot R.H. | 1 | * | 1 |
| 21-9260 | Cover - Dust | 2 | 16 | 1 | 27-4830 | Pin - Pivot L.H. | 1 | 11 | 1 |
| 21-9370 | Adjusting Screw | 23 | 7 | 2 | 27-4910 | Lever - Power Take-Off | 14 | 2 | 1 |
| 21-9380 | Nut - Pivot | 23 | 8 | 2 | 27-4980 | Shaft - P.T.O. | 15 | 17 | 1 |
| 21-9390 | Socket - Adjusting Screw | 23 | 6 | 2 | 27-5090 | Wire - Battery Ground | 10 | 3 | 1 |
| 21-9420 | Spring - Shoe Return L.H. | 23 | 17 | 2 | 27-5200 | Spacer - Float | 21 | 14 | 1 |

*Not Illustrated

TORO PART NUMBER INDEX (Cont.)

| Part No. | Description | Pg. No. | Ref. No. | Qty. | Part No. | Description | Pg. No. | Ref. No. | Qty. |
|----------|-----------------------------|---------|----------|------|----------|--------------------------|---------|----------|------|
| 27-5210 | Spool | 21 | 11 | 1 | 29-6170 | Spring - Extended Leaf | 17 | 5 | 1 |
| 27-5230 | Arm - Pivot | 12 | 39 | 1 | 29-6930 | Arm - Switch | 14 | 9 | 1 |
| 27-5240 | Bolt - Shoulder | 6 | 9 | 2 | 29-6930 | Arm - Switch | 5 | 18 | 1 |
| 27-5310 | Support - Axle | 16 | 7 | 1 | 29-9790 | Pump - Lever | 17 | 2 | 1 |
| 27-6600 | Spacer - Rubber Coupling | 16 | 16 | 4 | 33-0990 | Ammeter | 8 | 6 | 1 |
| 27-6650 | Retainer - Bearing | 15 | 31 | 1 | 33-2020 | Spacer | 16 | 19 | 4 |
| 27-6800 | Link - Hood | 1 | 9 | 2 | 36-8020 | Washer | 6 | 13 | 2 |
| 27-6810 | Tie - Hood | 1 | 13 | 2 | 37-7060 | Bar - Frame Rail | 14 | 24 | 2 |
| 27-6850 | Shaft - Axle R.H. | 23 | * | 1 | 37-9590 | Spring | 5 | 23 | 1 |
| 27-6860 | Shaft - Axle L.H. | 23 | 1 | 1 | 37-9770 | Support - Seat | 5 | 15 | 1 |
| 27-6880 | Strut/Lever - Parking Brake | 23 | 19 | 2 | 37-9920 | Hose | 13 | 3 | 1 |
| 27-6970 | Stud - Bearing | 15 | 30 | 1 | 38-2670 | Kit - Charge Pump | 18 | 37 | 1 |
| 27-7100 | Assembly - Air Cleaner | 7 | 13 | 1 | 38-2680 | Pin | 18 | 32 | 1 |
| 27-7110 | Assembly - Element | 7 | 7 | 1 | 38-3170 | Pin - Seat Switch | 5 | 13 | 1 |
| 27-7120 | Assembly - Nut & Gasket | 7 | 8 | 1 | 38-4020 | Mounting - Seat | 5 | 6 | 1 |
| 27-7130 | Assembly - Clamp | 7 | 10 | 1 | 38-4070 | Trim - Hood | 1 | 23 | 1 |
| 27-7140 | Skirt - Baffle | 7 | 9 | 1 | 38-4080 | Trim - Hood | 1 | 24 | 1 |
| 27-7150 | Assembly - Cup | 7 | 11 | 1 | 39-8850 | Spindle - L.H. | 12 | 18 | 1 |
| 27-7160 | Decal - Instruction | 7 | 12 | 1 | 39-8900 | Spindle - R.H. | 12 | 6 | 1 |
| 27-7170 | Assembly - Mounting, Band | 7 | 17 | 2 | 39-9600 | Clamp - Mounting | 8 | 5 | 1 |
| 27-7180 | Assembly - Cap | 7 | 5 | 1 | 40-2190 | Torque Spider | 23 | 5 | 2 |
| 27-7310 | Decal - Refueling | 5 | 10 | 1 | 41-8800 | Pedal - Brake, R.H. | 2 | 30 | 1 |
| 27-7320 | Decal - Traction Pedal | 8 | 39 | 1 | 41-8810 | Pedal - Brake L.H. | 2 | 28 | 1 |
| 27-7900 | Screw - Adjusting | 14 | 20 | 1 | 41-8820 | Steering Gear Assembly | 2 | 4 | 1 |
| 27-9870 | Pin - Seat Switch | 5 | 20 | 1 | 41-8830 | Clamp - Coupling | 2 | 6 | 1 |
| 28-0660 | Screw - Hex. Hd. | 23 | 21 | 8 | 41-8840 | Shaft - Steering | 2 | 11 | 1 |
| 28-0670 | Oil Seal | 23 | 13 | 2 | 41-8880 | Arm - Gear Box | 2 | 3 | 1 |
| 28-0680 | Brake Drum | 23 | 11 | 2 | 41-8900 | Cover - Steering Tower | 8 | 41 | 1 |
| 28-1120 | Plug | 21 | 8 | 1 | 41-8910 | Decal - Instruction | 8 | 24 | 1 |
| 28-1130 | Plug | 21 | 7 | 1 | 42-2540 | Pin - Brake | 2 | 27 | 1 |
| 28-1280 | Boot - Battery Cable | 10 | * | 1 | 42-2580 | Bracket - Steering Post | 8 | 33 | 1 |
| 28-3300 | Bearing - Roller | 18 | 4 | 1 | 42-3220 | Rack | 2 | 38 | 1 |
| 28-3310 | Bearing - Needle | 18 | 5 | 2 | 42-6080 | Shim - Axle | 9 | 5A/R | |
| 28-3340 | Gasket | 18 | 49 | 1 | 42-6080 | Shim - Axle | 13 | 19A/R | |
| 28-3350 | Pin | 18 | 48 | 2 | 43-1700 | Valve - Hydraulic | 20 | 8 | 1 |
| 28-3380 | Plate - Motor Valve | 18 | 45 | 1 | 43-2690 | Assy. - Shoe & Lining | 23 | 16 | 4 |
| 28-3400 | "O"Ring | 18 | 24 | 2 | 43-5220 | Ring - Retaining | 22 | 11 | 1 |
| 28-3420 | Relief Valve Cone Charge | 18 | 27 | 2 | 43-5230 | Shaft w/Clevis | 22 | 12 | 1 |
| 28-3440 | Threaded Plug | 18 | 42 | 2 | 43-5320 | Pulley - P.T.O. | 15 | 16 | 1 |
| 28-3450 | Washer - Flat | 18 | 36 | 2 | 43-5340 | Pulley - Engine | 11 | 23 | 1 |
| 28-3470 | Lip Seal | 18 | 34 | 1 | 43-5350 | Tank - Fuel | 13 | 2 | 1 |
| 28-3480 | Bearing - Needle | 18 | 33 | 1 | 43-6510 | Gear & Pinion Assembly | 25 | * | 1 |
| 28-3520 | "O"Ring | 18 | 31 | 1 | 43-6550 | Ring - Retaining | 25 | 30 | 1 |
| 28-3530 | Screw - Hex. Hd. | 18 | 30 | 2 | 43-6710 | Shim - Adjusting .003 | 24 | 20A/R | |
| 28-3570 | "O"Ring | 18 | 21 | 2 | 43-6711 | Shim - Adjusting .005 | 24 | 21A/R | |
| 28-3580 | Ring - Backup | 18 | 20 | 2 | 43-6712 | Shim - Adjusting .010 | 24 | 22A/R | |
| 28-3590 | "O"Ring | 18 | 19 | 2 | 43-6713 | Shim - Adjusting .030 | 24 | 23A/R | |
| 28-3640 | Shaft - Pump | 18 | 12 | 1 | 43-6750 | Cup - Bearing | 24 | 15 | 1 |
| 28-3650 | Bearing - Ball | 18 | 10 | 1 | 43-6760 | Cone - Bearing | 24 | 14 | 1 |
| 28-3660 | Lip Seal | 18 | 9 | 1 | 43-6800 | Nut - Lock, Flange Hd. | 23 | 12 | 8 |
| 28-3670 | Shaft - Trunion | 18 | 8 | 1 | 43-6850 | Assembly - Lower Housing | 24 | 4 | 1 |
| 28-5130 | Pad - Traction Pedal | 4 | 2 | 1 | 43-8480 | Decal - Danger | 13 | 6 | 1 |
| 28-5220 | Wheel - Friction | 4 | 6 | 1 | 43-8480 | Decal - Danger | 5 | 8 | 1 |
| 28-5640 | Washer - Special | 15 | 36A/R | | 44-2230 | Coupling - Rubber | 16 | 15 | 2 |
| 28-6180 | Pin - Pedal | 5 | 25 | 1 | 44-8680 | Shield - Heat | 14 | 11 | 1 |
| 28-8950 | Spring - Extension | 15 | 29 | 2 | 44-8690 | Shield - Heat | 11 | 2 | 1 |
| 28-9050 | Hub - Bearing | 15 | 19 | 1 | 44-8710 | Shroud - Engine | 11 | 4 | 1 |
| 29-4730 | Washer | 15 | 14 | 1 | 44-8720 | Shaft - Drive | 16 | 13 | 1 |
| 29-5600 | Pivot Bracket Assembly | 4 | 10 | 1 | 44-8820 | Spring - Compression | 14 | 18 | 1 |
| 29-5630 | Pin - Pedal Pivot | 4 | 4 | 1 | 44-8830 | Grille - Rear Panel | 1 | 3 | 1 |
| 29-5670 | Pedal - Traction | 4 | 1 | 1 | 44-8890 | Retainer - Spring | 14 | 17 | 2 |
| 29-6150 | Spring - Leaf | 17 | 22 | 1 | 44-8920 | Cover - Battery | 9 | 21 | 1 |
| 29-6163 | Micro Switch | 17 | 7 | 1 | 44-8950 | Tube - Air Cleaner | 7 | 6 | 1 |

*Not Illustrated

TORO PART NUMBER INDEX (Cont.)

3319-452

| Part No. | Description | Pg. No. | Ref. No. | Qty. | Part No. | Description | Pg. No. | Ref. No. | Qty. |
|----------|-----------------------------|---------|----------|------|----------|----------------------------|---------|----------|------|
| 44-8990 | V-Belt - Torque Team | 15 | 15 | 1 | 48-1800 | Kit - Cylinder Block | 18 | 16 | 2 |
| 44-9010 | Bracket - Shield Support | 11 | 5 | 1 | 49-2040 | Screw - Self Tapping | 28 | 31 | 1 |
| 44-9020 | Oil Hose Assembly | 11 | 14 | 1 | 49-2040 | Screw - Self Tapping | 11 | 32 | 1 |
| 44-9030 | Foam - Hood (Front) | 1 | 22 | 1 | 49-7820 | Variable Swashplate | 18 | 13 | 1 |
| 44-9040 | Foam - Hood (Rear) | 1 | 2 | 1 | 49-7830 | Assembly - Check Valve | 18 | 22 | 2 |
| 44-9050 | Hose - Air Cleaner Inlet | 7 | 2 | 1 | 49-7850 | Center Section | 18 | 39 | 1 |
| 44-9090 | Axle - Rear | 12 | 7 | 1 | 49-7870 | Housing | 18 | 6 | 1 |
| 44-9110 | Tube - Steering | 12 | 38 | 1 | 49-7910 | Transmission | 16 | 10 | 1 |
| 44-9120 | Steering Plate Assembly | 12 | 29 | 1 | 49-8200 | Shaft - Motor | 18 | 47 | 1 |
| 44-9190 | Trim - Hood | 1 | 18 | 1 | 51-3150 | Shim | 17 | 24 | 1 |
| 44-9220 | Guide - Belt (Lower) | 15 | 1 | 1 | 52-8890 | Bracket - Mounting | 17 | 16 | 1 |
| 44-9230 | Guide - Belt | 15 | 6 | 2 | 52-9070 | Plate - Pump | 17 | 17 | 1 |
| 44-9250 | Control - Throttle | 8 | 20 | 1 | 53-4430 | Decal - Oil | 8 | 26 | 1 |
| 44-9300 | Control - Choke | 8 | 13 | 1 | 55-3574 | Cap - Fuel | 13 | 7 | 1 |
| 44-9310 | Bracket - Brake | 15 | 5 | 1 | 57-6390 | Nut - Jam | 34 | 13 | 2 |
| 44-9320 | Base - Engine | 9 | 10 | 1 | 57-8000 | Bearing - Camshaft | 27 | 62 | 2 |
| 44-9330 | Support Pad Assembly | 15 | 7 | 1 | 57-8010 | Gasket | 27 | 8 | 1 |
| 44-9350 | Arm - Engagement | 15 | 24 | 1 | 57-8020 | Bearing - Flange Std. | 27 | 53 | 1 |
| 44-9390 | Mount - Engine Rubber | 9 | 4 | 2 | 57-8030 | Bearing - Flange | 27 | * | 1 |
| 44-9450 | Adapter - Air Inlet | 11 | 31 | 1 | 57-8040 | Plate - Bearing | 27 | 11 | 1 |
| 44-9460 | Foam - Battery Cover | 9 | 22 | 1 | 57-8050 | Bearing - Std. Crankshaft | 27 | 10 | 1 |
| 46-2210 | Shim - Front Pinion Bearing | 24 | 29A/R | | 57-8060 | Bearing - Crankshaft .010 | 27 | * | 1 |
| 46-2211 | Shim - Front Pinion Bearing | 24 | *A/R | | 57-8070 | Gasket | 29 | 14 | 1 |
| 46-2212 | Shim - Front Pinion Bearing | 24 | *A/R | | 57-8080 | Plug | 29 | 13 | 1 |
| 46-2213 | Shim - Front Pinion Bearing | 24 | *A/R | | 57-8090 | Gasket | 29 | 9 | 1 |
| 46-2214 | Shim - Front Pinion Bearing | 24 | *A/R | | 57-8130 | Gear - Crankshaft | 31 | 11 | 1 |
| 46-2215 | Shim - Front Pinion Bearing | 24 | *A/R | | 57-8140 | Washer - Special | 31 | 10 | 1 |
| 46-2216 | Shim - Front Pinion Bearing | 24 | *A/R | | 57-8150 | Screw - Hex. Hd. Spec. | 31 | 1 | 1 |
| 46-2220 | Shim - Front Pinion Bearing | 24 | *A/R | | 57-8160 | Washer - Thrust | 27 | 9 | 2 |
| 46-2221 | Shim - Front Pinion Bearing | 24 | *A/R | | 57-8170 | Shim | 27 | 23A/R | |
| 46-2222 | Shim - Front Pinion Bearing | 24 | *A/R | | 57-8180 | Gear - Ring | 31 | 6 | 1 |
| 46-2223 | Shim - Front Pinion Bearing | 24 | *A/R | | 57-8210 | Gear | 31 | 16 | 1 |
| 46-2224 | Shim - Front Pinion Bearing | 25 | 29A/R | | 57-8230 | Washer | 31 | 15 | 1 |
| 46-2225 | Shim - Front Pinion Bearing | 25 | *A/R | | 57-8280 | Gasket - Valve Cover | 27 | 3 | 2 |
| 46-2226 | Shim - Front Pinion Bearing | 25 | *A/R | | 57-8410 | Bolt - Special | 27 | 48 | 4 |
| 46-2390 | Muffler - Spark Arrester | 11 | * | 1 | 57-8420 | Rod - Connecting Std. | 27 | 49 | 2 |
| 46-2410 | Shim - Front Pinion Bearing | 25 | *A/R | | 57-8430 | Rod - Conn. .010 undersize | 27 | * | 2 |
| 46-2411 | Shim - Front Pinion Bearing | 25 | *A/R | | 57-8440 | Rod - Conn. .020 undersize | 27 | * | 2 |
| 46-2412 | Shim - Front Pinion Bearing | 25 | *A/R | | 57-8450 | Tappet - Valve Std. | 27 | 71 | 4 |
| 46-2413 | Shim - Front Pinion Bearing | 25 | *A/R | | 57-8460 | Kit - Gasket, Oil Pump | 27 | 61 | 1 |
| 46-2414 | Shim - Front Pinion Bearing | 25 | *A/R | | 57-8470 | Plunger - Bypass Valve | 27 | 64 | 1 |
| 46-2415 | Shim - Front Pinion Bearing | 25 | *A/R | | 57-8470 | Valve - By-pass Plunger | 27 | 42 | 1 |
| 46-2416 | Shim - Front Pinion Bearing | 25 | *A/R | | 57-8480 | Pump - Oil | 27 | 57 | 1 |
| 46-2420 | Shim - Front Pinion Bearing | 25 | *A/R | | 57-8490 | Cup - Intake | 29 | 8 | 1 |
| 46-2421 | Shim - Front Pinion Bearing | 25 | *A/R | | 57-8500 | Spring - Bypass Valve | 27 | 65 | 2 |
| 46-2422 | Shim - Front Pinion Bearing | 25 | *A/R | | 57-8510 | Adapter - Oil Filter | 27 | 32 | 1 |
| 46-2423 | Shim - Front Pinion Bearing | 25 | 29A/R | | 57-8530 | Filter - Oil | 27 | 20 | 1 |
| 46-2424 | Shim - Front Pinion Bearing | 25 | *A/R | | 57-8540 | Base - Filter | 27 | 21 | 1 |
| 46-2425 | Shim - Front Pinion Bearing | 25 | *A/R | | 57-8580 | Baffle - Breather Tube | 32 | 25 | 1 |
| 46-2426 | Shim - Front Pinion Bearing | 25 | *A/R | | 57-8720 | Adapter - Carburetor | 32 | 5 | 1 |
| 46-3320 | Trim - Hood | 1 | 20 | 1 | 57-8800 | Elbow - Air Inlet | 32 | 1 | 1 |
| 46-3350 | Panel - Instrument | 8 | 11 | 1 | 57-8830 | Gasket | 27 | 27 | 2 |
| 46-3460 | Decal - By-Pass | 8 | 9 | 1 | 57-9080 | Pump - Fuel | 30 | 24 | 1 |
| 46-7280 | Plug - Pipe | 18 | 40 | 1 | 57-9090 | Ring - Retaining | 31 | 20 | 1 |
| 46-7310 | Relief Valve Spring Imp. | 18 | 26 | 1 | 57-9100 | Spring | 28 | 4 | 1 |
| 46-7320 | Plate - Pump Valve | 18 | 17 | 1 | 57-9120 | Bushing | 28 | 8 | 1 |
| 46-8560 | Screw - Hex. Flange Hd. | 5 | 2 | 4 | 57-9130 | Hub - Cup, Governor | 31 | 19 | 1 |
| 46-8560 | Screw - Self Tap. Hex. Hd. | 8 | 40 | 11 | 57-9140 | Arm - Governor Control | 28 | 7 | 1 |
| 46-8810 | Stop - Leaf Spring | 17 | 9 | 1 | 57-9150 | Bracket - Cable | 28 | 16 | 1 |
| 46-9110 | Spring - Seat | 6 | 15 | 2 | 57-9160 | Rod - Governor Control | 33 | 9 | 1 |
| 46-9120 | Mount - Seat | 6 | 17 | 2 | 57-9170 | Swivel | 32 | 9 | 1 |
| 47-4760 | Shim - P.T.O. Block | 15 | 20 | 1 | 57-9180 | Link - Choke | 32 | 18 | 1 |
| 47-4780 | Arm - Engagement | 14 | 10 | 1 | 57-9190 | Clamp - Cable | 28 | 30 | 1 |

*Not Illustrated

TORO PART NUMBER INDEX (Cont.)

| Part No. | Description | Pg. No. | Ref. No. | Qty. | Part No. | Description | Pg. No. | Ref. No. | Qty. |
|----------|-----------------------------|---------|----------|------|----------|----------------------------|---------|----------|------|
| 57-9190 | Clip | 32 | 15 | 1 | 59-0680 | Elbow - Male (to Filter) | 27 | 38 | 1 |
| 57-9200 | Gasket | 33 | 11 | 1 | 59-0690 | Clamp | 32 | 2 | 2 |
| 57-9210 | Gasket | 28 | 23 | 2 | 59-0710 | Hose | 30 | 28 | 1 |
| 57-9220 | Hose - Oil | 27 | 36 | 2 | 59-0710 | Hose - Fuel | 11 | 19 | 1 |
| 57-9230 | Outlet | 28 | 24 | 1 | 59-0720 | Pin - Cotter | 32 | 12 | 1 |
| 57-9240 | Outlet | 28 | 27 | 1 | 59-0730 | Pin - Drive | 27 | 7 | 4 |
| 57-9260 | Gasket - Plate | 30 | 30 | 1 | 59-0740 | Pin - Dowel | 30 | 8 | 1 |
| 57-9340 | Plug - Spark | 30 | 22 | 2 | 59-0750 | Pin - Alignment | 27 | 60 | 2 |
| 57-9360 | Bearing - Flange | 27 | * | 1 | 59-0790 | Stud | 30 | 37 | 1 |
| 57-9440 | Stator | 31 | 32 | 1 | 59-0810 | Washer | 31 | 3 | 1 |
| 57-9490 | Switch - Low Oil Pressure | 27 | 31 | 1 | 59-0840 | Washer - Flat | 27 | 17 | 2 |
| 57-9540 | Clamp | 32 | 22 | 1 | 59-0860 | Washer - Flat | 27 | 18 | 2 |
| 57-9550 | Clamp | 30 | 25 | 7 | 59-0910 | Screw - Hex. Hd. | 27 | 66 | 1 |
| 57-9570 | Seal - Oil | 30 | 4 | 1 | 59-0940 | Screw - Mach. Rd. Hd. | 32 | 3 | 3 |
| 57-9580 | Seal - Oil | 30 | 39 | 1 | 59-0970 | Screw - Self Tap. Hex. Hd. | 28 | 22 | 1 |
| 57-9590 | Seal - Oil | 27 | 12 | 1 | 59-0980 | Screw - Self Tap Hex. Hd. | 28 | 29 | 2 |
| 57-9620 | "O" Ring | 33 | 7 | 1 | 59-0980 | Screw - Self Tap. Hex. Hd. | 28 | 20 | 4 |
| 57-9620 | Seal | 32 | 6 | 1 | 59-1010 | Screw - Hex. Flange Hd. | 28 | 10 | 2 |
| 57-9630 | Ball - Bearing | 30 | 6 | 1 | 59-1020 | Screw - Shoulder | 32 | 19 | 1 |
| 57-9640 | Ball - Governor | 31 | 17 | 5 | 59-1030 | Screw - Self Tap. Hex. Hd. | 28 | 5 | 1 |
| 57-9650 | Bearing | 30 | 5 | 1 | 59-1050 | Screw - Self Tap. Pan Hd. | 30 | 23 | 2 |
| 57-9660 | Key - Gear | 31 | 13 | 1 | 59-1080 | Screw - Hex. Flange Hd. | 28 | 14 | 4 |
| 57-9660 | Key - Woodruff | 31 | 14 | 1 | 59-1080 | Screw - Hex. Hd. | 31 | 36 | 1 |
| 57-9690 | Plug - Welch | 27 | 6 | 1 | 59-1090 | Screw - Hex. Washer Hd. | 28 | 2 | 2 |
| 57-9700 | Clip | 33 | 8 | 1 | 59-1130 | Nut | 27 | 16 | 3 |
| 57-9710 | Ring - Retaining | 31 | 9 | 1 | 61-8140 | Cover - Seat Support | 5 | 1 | 1 |
| 57-9720 | Ring - Retaining | 27 | 46 | 4 | 61-9650 | Hose - Fuel | 13 | 11 | 1 |
| 57-9730 | Clip - Retaining | 30 | 1 | 1 | 62-2730 | Starter Bushing Kit | 34 | 8 | 1 |
| 57-9740 | Washer - Flat | 27 | 72 | 2 | 62-2740 | Starter Brush Kit | 34 | 9 | 1 |
| 57-9750 | Washer - Flat | 30 | 13 | 5 | 62-2750 | Brush Mounting Kit | 34 | 12 | 1 |
| 57-9750 | Washer - Flat | 27 | 33 | 2 | 62-2760 | Starter Hardware Kit | 34 | 1 | 1 |
| 57-9760 | Washer - Flat | 27 | 40 | 1 | 62-2770 | Starter Shift Lever Kit | 34 | 4 | 1 |
| 57-9760 | Washer - Flat | 27 | 67 | 1 | 62-7400 | Decal - Toro | 8 | 42 | 1 |
| 57-9770 | Washer - Flat | 27 | 29 | 18 | 63-7400 | Washer | 9 | 2 | 4 |
| 57-9770 | Washer - Mounting Screw | 34 | 10 | 2 | 63-7590 | Relay | 14 | 25 | 1 |
| 57-9790 | Nut - Lock Hex. Crown | 27 | 50 | 4 | 63-8360 | Key | 8 | 17 | 1 |
| 57-9800 | Bearing - Flange | 27 | * | 1 | 66-3110 | Fitting | 19 | 11 | 2 |
| 59-0010 | Bearing - Flange | 27 | * | 1 | 66-8130 | Hose | 19 | 19 | 1 |
| 59-0020 | Bearing - Crankshaft .002 | 27 | * | 1 | 66-8190 | Hose | 19 | 8 | 1 |
| 59-0030 | Bearing - Crankshaft .020 | 27 | * | 1 | 67-1710 | Decal - Caution | 5 | 4 | 1 |
| 59-0040 | Bearing - Crankshaft .030 | 27 | * | 1 | 68-7320 | Decal - Hydraulic Lift | 5 | 3 | 1 |
| 59-0050 | Insert - Valve Seat Std. | 27 | 25 | 2 | 68-7330 | Decal - Caution | 5 | 9 | 1 |
| 59-0080 | Insert - Valve Seat .010 OS | 27 | * | 2 | 68-7350 | Decal - Instrument Panel | 8 | 15 | 1 |
| 59-0100 | Insert - Exhaust Valve Seat | 27 | 52 | 2 | 68-9700 | Assembly - Hydra. Cylinder | 19 | 18 | 2 |
| 59-0250 | Rod - Conn. .030 undersize | 27 | * | 2 | 70-2770 | Head | 22 | 9 | 1 |
| 59-0260 | Tappet - Valve .002 OS | 27 | * | 4 | 70-2780 | Piston | 22 | 4 | 1 |
| 59-0270 | Tappet - Valve .005 OS | 27 | * | 4 | 70-2790 | Kit - Seal Repair | 22 | * | 1 |
| 59-0290 | Tube - Oil | 27 | 54 | 1 | 70-9830 | Shaft - Traction Pedal | 4 | 5 | 1 |
| 59-0300 | Bracket | 27 | 15 | 1 | 71-0590 | Assembly - Fitting | 19 | 5 | 1 |
| 59-0370 | Cap - Fuel Fitting | 30 | 27 | 1 | 71-0670 | Hose - Trans. to Valve | 19 | 6 | 1 |
| 59-0400 | Pin | 31 | 21 | 1 | 71-0680 | Hose | 19 | 16 | 1 |
| 59-0420 | Yoke | 30 | 35 | 1 | 71-0690 | Hose - Cyl. Tee to Valve | 19 | 27 | 1 |
| 59-0430 | Spring - Idle Setting | 28 | 6 | 1 | 71-0700 | Spacer | 11 | 24 | 1 |
| 59-0440 | Shaft | 30 | 36 | 1 | 71-3270 | 90° Elbow | 19 | 14 | 2 |
| 59-0450 | Cup - Governor | 31 | 18 | 1 | 71-3370 | Hose - Fuel | 13 | 21 | 1 |
| 59-0460 | Lever - Choke | 32 | 10 | 1 | 71-3370 | Line - Fuel | 11 | 29 | 1 |
| 59-0470 | Bracket | 32 | 13 | 1 | 71-3770 | Hose - Pressure, Low | 19 | 24 | 1 |
| 59-0580 | Washer - Flat | 32 | 11 | 2 | 71-5730 | Base | 29 | 15 | 1 |
| 59-0590 | Terminal | 31 | 33 | 3 | 71-5750 | Crankshaft | 31 | 12 | 1 |
| 59-0630 | Bracket - Lift | 28 | 12 | 2 | 71-5770 | Valve - Intake | 27 | 26 | 2 |
| 59-0640 | Elbow - Street 45° | 27 | 44 | 1 | 71-5780 | Valve - Exhaust | 27 | 51 | 2 |
| 59-0660 | Hose - Oil | 27 | 13 | 2 | 71-5790 | Spring - Valve | 27 | 68 | 4 |
| 59-0670 | Elbow - Male (from Filter) | 27 | 37 | 1 | 71-5800 | Washer - Valve Spring Ret. | 27 | 73 | 4 |

*Not Illustrated

TORO PART NUMBER INDEX (Cont.)

3319-452

| Part No. | Description | Pg. No. | Ref. No. | Qty. | Part No. | Description | Pg. No. | Ref. No. | Qty. |
|----------|-----------------------------|---------|----------|------|----------|-------------------------------|---------|----------|------|
| 71-5820 | Head - Cylinder R.H. | 27 | 28 | 1 | 72-3980 | Cover - Exhaust Tube R.H. | 28 | 3 | 1 |
| 71-5830 | Cap - Valve | 27 | 69 | 4 | 72-3990 | Terminal - Ring | 10 | * | 1 |
| 71-5840 | Lock - Valve Spring | 27 | 70 | 8 | 72-3990 | Terminal - Ring | 31 | 29 | 1 |
| 71-5850 | Cover - Valve | 27 | 2 | 2 | 72-4000 | Terminal - Receptacle | 10 | * | 5 |
| 71-5900 | Screw - Air Inlet | 31 | 4 | 1 | 72-4000 | Terminal - Receptacle | 31 | 23 | 5 |
| 71-5910 | Housing - L.H. | 28 | 28 | 1 | 72-4010 | Housing - Receptacle | 10 | 5 | 1 |
| 71-5920 | Flywheel | 31 | 5 | 1 | 72-4010 | Housing - Receptacle | 31 | 25 | 1 |
| 71-5930 | Housing - Blower | 28 | 21 | 1 | 72-4020 | Housing - Tab | 10 | 4 | 1 |
| 71-5940 | Housing - R.H. | 28 | 13 | 1 | 72-4020 | Housing - Tab | 31 | 26 | 1 |
| 71-5960 | Filter - Fuel | 11 | 28 | 1 | 72-4030 | Housing | 10 | * | 1 |
| 71-5960 | Filter - Fuel | 30 | 29 | 1 | 72-4030 | Housing | 31 | 28 | 1 |
| 71-5970 | Bracket | 28 | 33 | 1 | 72-4040 | Terminal - Tab | 10 | * | 4 |
| 71-5980 | Gasket | 33 | 17 | 2 | 72-4040 | Terminal - Tab | 31 | 24 | 4 |
| 71-5990 | Plate - Plunger Cover | 30 | 31 | 1 | 72-7920 | Muffler | 11 | 15 | 1 |
| 71-6010 | Rotor - Ignition | 30 | 40 | 1 | 72-7930 | Extension | 11 | 9 | 1 |
| 71-6020 | Cable - Plug 18.5 Long | 30 | * | 1 | 72-9420 | Vent Tube Assembly | 25 | 41 | 1 |
| 71-6030 | Regulator | 31 | 35 | 1 | 74-0720 | Tube - Manual | 6 | 2 | 1 |
| 71-6040 | Starter Assembly | 34 | * | 1 | 75-0810 | Decal | 8 | 29 | 2 |
| 71-6060 | Clip | 30 | 21 | 1 | 76-1420 | Wheel - Steering | 2 | 18 | 1 |
| 71-6070 | Harness - Wiring | 10 | * | 1 | 76-3080 | Arm - Lift, R.H. | 19 | 29 | 1 |
| 71-6070 | Harness - Wiring | 31 | 27 | 1 | 76-3090 | Arm - Lift, L.H. | 19 | 28 | 1 |
| 71-6100 | Line - Pulse | 30 | 26 | 1 | 80-3330 | Gasket | 7 | 14 | 1 |
| 71-6130 | Hose - Breather | 32 | 23 | 1 | 82-0520 | Gasket | 27 | 43 | 1 |
| 71-6140 | Grommet | 28 | 32 | 1 | 82-0530 | Clamp | 32 | 20 | 1 |
| 71-6150 | Grommet - Air Seal | 28 | 15 | 1 | 82-0540 | Tube - Breather | 32 | 21 | 1 |
| 71-6170 | Seal | 29 | 1 | 1 | 82-0550 | Breather Cap & Valve | 32 | 28 | 1 |
| 71-6180 | Seal - Intake Valve | 27 | 4 | 2 | 82-0560 | Screen - Breather Tube | 32 | 24 | 2 |
| 71-6190 | Key - Flywheel | 31 | 7 | 1 | 82-0570 | Seal - "O"Ring | 32 | 26 | 1 |
| 71-6210 | Plug - Button | 32 | 7 | 1 | 82-1480 | Screw - Self Tapping | 32 | 27 | 1 |
| 71-6220 | Clip - Wire | 30 | 17 | 2 | 82-1720 | Cap Solenoid | 34 | 7 | 1 |
| 71-6220 | Clip - Wire | 28 | 19 | 1 | 82-1730 | Nut - Hex. | 34 | 6 | 1 |
| 71-6230 | Kit - Connector, Harness | 31 | * | 1 | 82-1790 | Oil Fill Tube & Bracket Assy. | 29 | 2 | 1 |
| 71-6240 | Screw - Flange | 27 | 22 | 5 | 82-1800 | Piston - Std. | 27 | 45 | 2 |
| 71-6250 | Guide - Exhaust Valve | 27 | 5 | 2 | 82-1810 | Piston - .010 OS | 27 | 45 | 2 |
| 71-6260 | Guide - Intake Valve | 27 | 5 | 2 | 82-1820 | Piston - .020 OS | 27 | * | 2 |
| 71-6270 | Screw - Hex. Hd. | 27 | 30 | 18 | 82-1830 | Piston - .030 OS | 27 | * | 2 |
| 71-6290 | Kit - Gasket Comp. Engine | 27 | 56 | 1 | 82-1840 | Ring Set - Piston Std. | 27 | 55 | 2 |
| 71-6300 | Kit - Valve Grinding | 27 | * | 1 | 82-1850 | Ring Set - Piston | 27 | * | 2 |
| 71-6310 | Pin - Piston | 27 | 47 | 4 | 82-1860 | Ring Set - Piston | 27 | * | 2 |
| 71-6320 | Camshaft | 31 | 22 | 1 | 82-1870 | Ring Set - Piston | 27 | * | 2 |
| 71-6340 | Screw - Flange | 31 | 8 | 6 | 82-1880 | Block - Short | 27 | 63 | 1 |
| 71-6350 | Kit - Gearcase | 30 | 12 | 1 | 82-8530 | Fitting - Straight | 19 | 10 | 2 |
| 71-6360 | Gasket | 30 | 7 | 1 | 84-8600 | Set - Brake Shoe (4 Shoes) | 23 | * | 1 |
| 71-6370 | Body - Terminal | 31 | 34 | 2 | 86-7220 | Gear - Spur | 16 | 26 | 1 |
| 71-6380 | Control - Ignition | 30 | 15 | 1 | 86-7230 | Gear - Spur | 24 | 18 | 1 |
| 71-6390 | Screw - Mach. Hex. Hd. | 31 | 30 | 3 | 86-7290 | Frame Assembly | 8 | 37 | 1 |
| 71-6400 | Screw - Flange Hex. Hd. | 30 | 20 | 2 | 86-7470 | Diode | 10 | 2 | 1 |
| 71-6410 | Insulator | 30 | 16 | 1 | 86-7930 | Upper Housing Assembly | 24 | 24 | 1 |
| 71-6420 | Cable - Plug 9 Long | 30 | 41 | 1 | 86-9470 | Harness - Wire | 10 | 1 | 1 |
| 71-6430 | Nut - Flange | 30 | 43 | 1 | 86-9660 | Axle Assembly | 13 | 16 | 1 |
| 71-6440 | Nut - Flange | 30 | 42 | 1 | 92-1180 | Seat | 6 | 4 | 1 |
| 71-6450 | Screw - Flange Hex. Hd. | 30 | 18 | 1 | 92-6312 | Spacer | 13 | 22 | 2 |
| 71-6460 | Screw - Flange Hex. Hd. | 30 | 2 | 2 | 92-6533 | Kit - Cushion | 6 | 5 | 1 |
| 71-6480 | Manifold - Intake | 33 | 14 | 1 | 92-6534 | Shell - Seat | 6 | 7 | 1 |
| 72-3880 | Screw - Flange Hex. Hd. | 32 | 14 | 1 | 94-1843 | Kit - Float | 33 | * | 1 |
| 72-3890 | Screw - Mach. Hex. Hd. | 32 | 8 | 1 | 94-1844 | Kit - Accelerator Pump) | 33 | * | 1 |
| 72-3900 | Screw - Self Tap. Hex. Hd. | 28 | 17 | 1 | 94-1847 | Kit - Carburetor (Flange | 33 | 10 | 1 |
| 72-3900 | Screw - Self Tap. Slot. Hd. | 32 | 16 | 1 | 94-1848 | Jet - High (Fixed Main) | 33 | * | 1 |
| 72-3930 | Starter Solenoid Kit | 34 | 5 | 1 | 94-5411 | Decal - Groundsmaster 220 | 1 | 6 | 2 |
| 72-3940 | Starter Clutch Kit | 34 | 3 | 1 | 95-2828 | Engine - (Onan) | 11 | 18 | 1 |
| 72-3950 | Dust Seal Kit | 34 | 2 | 1 | 95-2829 | Cap | 29 | 4 | 1 |
| 72-3960 | Switch - Temp. Cut-Off | 27 | 41 | 1 | 95-2844 | Coil | 30 | 3 | 1 |
| 72-3970 | Cover - Exhaust Tube L.H. | 28 | 1 | 1 | 95-2843 | "O"Ring - Upper | 29 | 3 | 1 |

*Not Illustrated

TORO PART NUMBER INDEX (Cont.)

| Part No. | Description | Pg. Ref. No. No. Qty. | Part No. | Description | Pg. Ref. No. No. Qty. |
|----------|-------------------------|--------------------------|----------|--------------------|--------------------------|
| NN10323 | "O"Ring - Lower | 29 3 1 | 289-38 | Nipple - Pipe | 25 43 1 |
| 217-107 | Rim | 13 13 2 | 2811-9 | Street Elbow 90° | 25 42 1 |
| 217-108 | Rim | 12 21 2 | 302-5 | Fitting - Grease | 14 4 2 |
| 218-473 | Boot - Toggle Switch | 8 8 1 | 302-5 | Fitting - Grease | 12 11 4 |
| 218-515 | Bracket - Mounting | 8 25 1 | 302-5 | Fitting - Grease | 2 31 2 |
| 2112-9 | Clamp | 11 8 1 | 302-5 | Fitting - Grease | 15 38 1 |
| 231-103 | Tire | 13 12 2 | 302-40 | Fitting - Grease | 15 18 2 |
| 231-104 | Tire | 12 20 2 | 302-62 | Fitting - Grease | 19 37 2 |
| 232-35 | Valve Stem w/Cap | 13 15 2 | 304-99 | 90° Barb Hose Stem | 19 17 1 |
| 232-35 | Valve Stem w/Cap | 12 28 2 | 321-3 | Screw - Hex. Hd. | 15 33 2 |
| 232-39 | Tube - Inner (Optional) | 12 * 2 | 321-3 | Screw - Hex. Hd. | 30 33 2 |
| 232-43 | Tube - Inner (Optional) | 13 * 2 | 321-4 | Screw - Hex. Hd. | 17 21 2 |
| 233-17 | Knob | 2 14 1 | 321-6 | Screw - Hex. Hd. | 27 59 2 |
| 233-35 | Knob | 8 16 2 | 321-9 | Screw - Hex. Hd. | 17 3 2 |
| 233-39 | Knob | 20 1 1 | 321-10 | Screw - Hex. Hd. | 27 1 2 |
| 237-22 | "O"Ring | 19 9 4 | 321-10 | Screw - Hex. Hd. | 20 13 1 |
| 237-42 | "O"Ring | 21 2 1 | 321-24 | Screw - Hex. Hd. | 20 7 3 |
| 237-42 | "O"Ring | 19 3 6 | 322-3 | Screw - Hex. Hd. | 7 16 4 |
| 237-78 | "O"Ring | 19 13 3 | 322-3 | Screw - Hex. Hd. | 28 26 4 |
| 237-80 | "O"Ring | 19 22 1 | 322-3 | Screw - Hex. Hd. | 9 28 4 |
| 237-81 | Seal - "O"Ring | 25 44 1 | 322-4 | Screw - Hex. Hd. | 15 8 2 |
| 237-150 | "O"Ring | 19 15 4 | 322-4 | Screw - Hex. Hd. | 27 14 3 |
| 241-119 | Cap - Dust | 12 24 2 | 322-5 | Screw | 6 8 4 |
| 242-34 | Stud - Axle Flange | 23 9 10 | 322-5 | Screw - Hex. Hd. | 16 31 1 |
| 242-35 | Nut - Hex. | 13 14 10 | 322-9 | Screw - Hex. Hd. | 30 14 4 |
| 249-39 | Assembly - Handle | 5 12 2 | 322-9 | Screw - Hex. Hd. | 33 15 2 |
| 249-40 | Keeper - Reverse | 1 19 2 | 322-10 | Screw - Hex. Hd. | 33 12 4 |
| 2412-36 | Clamp - Hose | 11 20 5 | 322-17 | Screw - Hex. Hd. | 17 18 1 |
| 2412-36 | Clamp - Worm Drive | 19 20 4 | 322-22 | Screw - Hex. Hd. | 34 11 2 |
| 2412-37 | Clamp - Muffler | 11 16 2 | 323-5 | Screw - Hex. Hd. | 12 5 2 |
| 2412-39 | "R"Clamp | 11 10 2 | 323-8 | Screw - Hex. Hd. | 18 29 2 |
| 2412-42 | Clamp - Hose | 7 1 2 | 323-10 | Screw - Hex. Hd. | 18 43 4 |
| 2412-42 | Clamp - Hose | 11 33 1 | 323-12 | Screw - Hex. Hd. | 9 7 4 |
| 2412-108 | Clamp | 19 39 4 | 323-18 | Screw - Hex. Hd. | 15 12 1 |
| 2412-108 | Clamp - Worm Drive | 13 5 5 | 323-38 | Screw - Hex. Hd. | 16 23 2 |
| 2412-123 | "R"Clamp | 6 3 2 | 323-39 | Screw - Hex. Hd. | 17 14 2 |
| 2412-142 | "R"Clamp | 11 30 1 | 323-42 | Screw - Hex. Hd. | 29 12 4 |
| 251-77 | Collar - Locking | 15 28 2 | 324-6 | Screw - Hex. Hd. | 8 31 3 |
| 251-253 | Bearing w/Collar | 15 26 2 | 324-9 | Screw - Hex. Hd. | 13 20 4 |
| 251-255 | Bearing - Flange | 15 25 4 | 324-23 | Screw - Hex. Hd. | 24 19 4 |
| 251-259 | Bearing - Ball | 17 23 1 | 324-23 | Screw - Hex. Hd. | 18 35 2 |
| 251-268 | Bearing | 15 21 2 | 325-8 | Screw | 9 15 2 |
| 251-269 | Bearing - Pillow Block | 14 5 2 | 3210-5 | Screw - Hex. Hd. | 16 17 4 |
| 251-275 | Bearing - Ball | 2{15 1 | 3210-7 | Screw - Hex. Hd. | 17 4 1 |
| 252-6 | Bearing | 12 3 2 | 3210-7 | Screw - Hex. Hd. | 24 25 8 |
| 253-129 | Seal - Oil | 12 19 2 | 3210-8 | Screw - Hex. Hd. | 16 22 4 |
| 254-65 | Cone - Bearing Tapered | 25 34 2 | 3211-27 | Screw - Hex. Hd. | 1 12 2 |
| 254-66 | Cup - Bearing Tapered | 25 33 2 | 3211-27 | Screw - Hex. Hd. | 27 39 1 |
| 254-72 | Cup - Bearing | 12 22 4 | 3217-4 | Nut - Hex. | 27 19 2 |
| 254-90 | Cup - Bearing | 24 27 1 | 3217-6 | Nut - Hex. | 7 3 2 |
| 254-91 | Cone - Bearing | 24 28 1 | 3217-6 | Nut - Hex. | 15 9 4 |
| 254-94 | Cone - Bearing | 12 27 4 | 3217-6 | Nut - Hex. | 30 38 1 |
| 256-42 | Bushing | 2 29 4 | 3217-7 | Nut - Hex. | 16 1 1 |
| 256-101 | Bushing | 19 38 4 | 3217-7 | Nut - Hex. | 8 36 1 |
| 256-121 | Bushing | 12 17 2 | 3217-8 | Nut - Hex. | 2 8 1 |
| 256-156 | Bushing - Flange | 4 9 2 | 3217-8 | Nut - Hex. | 13 17 4 |
| 256-173 | Bushing | 5 5 2 | 3217-9 | Nut | 9 11 4 |
| 281-1 | Yoke | 14 22 1 | 3217-16 | Nut - Hex. | 17 11 2 |
| 281-2 | Plug | 29 10 2 | 3217-26 | Nut - Hex. | 8 28 1 |
| 283-17 | Pin - Clevis | 20 12 1 | 3218-3 | Nut - Hex. Jam | 9 25 1 |
| 283-42 | Pin - Clevis | 14 23 1 | 3218-5 | Nut - Hex. Jam | 16 32 2 |
| 283-58 | Pin - Clevis | 2 24 2 | 3219-2 | Nut | 24 2 8 |
| 285-17 | Plug - Pipe | 18 28 4 | 3219-2 | Nut - Hex. | 17 6 1 |

*Not Illustrated

TORO PART NUMBER INDEX (Cont.)

3319-452

| Part No. | Description | Pg. Ref. No. No. Qty. | Part No. | Description | Pg. Ref. No. No. Qty. |
|----------|-------------------------|--------------------------|----------|------------------------|--------------------------|
| 3219-14 | Nut - Brass | 8 2 6 | 3254-8 | Washer - Lock | 8 3 2 |
| 3220-3 | Nut - Hex. Jam | 14 21 1 | 3254-9 | Washer - Int. Tooth | 17 10 2 |
| 3220-3 | Nut - Jam | 4 11 2 | 3255-7 | Washer - Lock | 11 34 1 |
| 3220-3 | Nut - Jam | 2 21 4 | 3255-8 | Washer - Lock | 24 3 8 |
| 3220-3 | Nut - Jam | 12 30 12 | 3255-9 | Washer - Lock | 9 17 1 |
| 3220-5 | Nut - Hex. Jam | 12 36 3 | 3256-1 | Washer - Flat | 28 9 8 |
| 3220-5 | Nut - Hex. Jam | 2 41 2 | 3256-1 | Washer - Flat | 33 16 2 |
| 3220-5 | Nut - Jam | 4 13 1 | 3256-1 | Washer - Flat | 30 32 2 |
| 3220-8 | Nut | 2 1 1 | 3256-1 | Washer - Flat | 27 35 1 |
| 3220-12 | Nut - Hex. Jam | 12 34 3 | 3256-2 | Washer - Flat | 17 19 2 |
| 3230-2 | Carriage - Bolt | 17 12 2 | 3256-3 | Washer | 11 35 1 |
| 3230-16 | Bolt - Carriage | 15 34 4 | 3256-3 | Washer - Flat | 16 20 4 |
| 3231-29 | Bolt - Carriage | 9 26 1 | 3256-3 | Washer - Flat | 28 25 4 |
| 3232-13 | Screw - Hex. Flange Hd. | 19 34 2 | 3256-21 | Washer - Flat | 8 4 2 |
| 3232-16 | Bolt - Carriage | 2 5 1 | 3256-22 | Washer - Flat | 1 4 8 |
| 3234-4 | Screw - Flange Hex. Hd. | 11 27 1 | 3256-22 | Washer - Flat | 2 10 3 |
| 3234-4 | Screw - Hex. Flange Hd. | 14 1 4 | 3256-22 | Washer - Flat | 8 21 1 |
| 3234-4 | Screw - Hex. Flange Hd. | 8 12 1 | 3256-23 | Washer - Flat | 15 4 2 |
| 3234-5 | Screw - Hex. Flange Hd. | 28 11 2 | 3256-23 | Washer - Flat | 33 6 1 |
| 3234-11 | Screw - Flange Hex. Hd. | 9 20 2 | 3256-23 | Washer - Flat | 14 12 2 |
| 3234-11 | Screw - Flange Lock | 11 13 4 | 3256-23 | Washer - Flat | 33 13 4 |
| 3234-11 | Screw - Hex. Flange Hd. | 5 16 4 | 3256-24 | Washer - Flat | 9 6 2 |
| 3234-11 | Screw - Hex. Flange Hd. | 8 43 1 | 3256-26 | Washer - Flat | 16 4 1 |
| 3234-11 | Screw - Hex. Hd. | 15 27 3 | 3256-26 | Washer - Flat | 6 10 2 |
| 3234-13 | Screw - Hex Flange. Hd. | 11 1 10 | 3256-26 | Washer - Flat | 2 37 2 |
| 3234-13 | Screw - Hex. Flange Hd. | 1 10 4 | 3256-28 | Washer - Flat | 12 26 3 |
| 3234-13 | Screw - Hex. Flange Hd. | 12 14 1 | 3256-41 | Washer - Flat | 13 10 3 |
| 3234-13 | Screw - Hex. Flange Hd. | 5 14 1 | 3256-41 | Washer - Flat | 14 19 1 |
| 3234-13 | Screw - Hex. Flange Hd. | 28 18 1 | 3257-5 | Key - Woodruff | 15 11 1 |
| 3234-13 | Screw - Hex. Flange Hd. | 16 33 2 | 3257-5 | Key - Woodruff | 18 11 2 |
| 3234-17 | Screw - Hex. Hd. | 6 16 4 | 3257-5 | Key - Woodruff | 16 24 2 |
| 3234-18 | Screw - Hex. Flange Hd. | 11 21 2 | 3258-19 | Screw - Machine | 7 15 2 |
| 3234-18 | Screw - Hex. Hd. | 13 8 3 | 3269-16 | Rivet - Pop | 5 11 4 |
| 3234-21 | Screw - Hex. Flange Hd. | 15 23 2 | 3269-16 | Rivet - Pop | 1 21 4 |
| 3235-23 | Screw - Hex. Hd. | 11 22 4 | 3272-5 | Pin - Cotter | 14 15 1 |
| 3245-1 | Screw - Set | 16 9 4 | 3272-5 | Pin - Cotter | 2 22 3 |
| 3245-1 | Screw - Set | 15 35 2 | 3272-6 | Pin - Cotter | 20 3 1 |
| 3247-4 | Screw - Socket Hd. Set | 27 24 2 | 3272-10 | Pin - Cotter | 16 3 1 |
| 3249-11 | Screw - Round Hd. | 17 8 2 | 3272-10 | Pin - Cotter | 4 3 4 |
| 3250-16 | Screw - Mach. Pan Hd. | 30 34 2 | 3272-10 | Pin - Cotter | 2 25 3 |
| 3251-3 | Screw - Mach. Rd. Hd. | 8 14 4 | 3272-13 | Pin - Cotter | 12 23 2 |
| 3253-2 | Washer - Lock | 32 4 3 | 3272-17 | Pin - Cotter | 19 30 2 |
| 3253-2 | Washer - Lock | 31 31 3 | 3272-23 | Pin - Cotter | 19 1 6 |
| 3253-3 | Washer - Lock | 20 9 2 | 3274-18 | Screw - Cap Soc. Hd. | 27 34 2 |
| 3253-3 | Washer - Lock | 15 22 2 | 3274-31 | Screw - Cap Button Hd. | 9 18 3 |
| 3253-3 | Washer - Lock | 27 58 2 | 3290-134 | Screw - Mach. Hex. Hd. | 9 9 4 |
| 3253-4 | Washer - Lock | 15 10 4 | 3290-211 | Washer - Lock | 1 8 4 |
| 3253-4 | Washer - Lock | 14 13 2 | 3290-357 | Nut - Flange Lock | 15 2 6 |
| 3253-4 | Washer - Lock | 16 21 2 | 3290-357 | Nut - Flange Lock | 11 11 4 |
| 3253-5 | Washer - Lock | 29 11 4 | 3290-357 | Nut - Flange Lock | 9 16 1 |
| 3253-6 | Washer - Lock | 31 2 1 | 3290-378 | Tie - Cable | 19 7 3 |
| 3253-6 | Washer - Lock | 2 9 1 | 3290-378 | Tie - Cable | 11 17 3 |
| 3253-6 | Washer - Lock | 13 18 4 | 3290-378 | Tie - Cable | 8 19 1 |
| 3253-6 | Washer - Lock | 8 32 3 | 3290-378 | Tie - Cable | 16 35 1 |
| 3253-7 | Washer - Lock | 9 14 2 | 3290-378 | Tie - Cable | 2 36 1 |
| 3253-21 | Washer - Lock | 16 2 3 | 3290-433 | Retainer - Grip Nut | 9 24 1 |
| 3253-21 | Washer - Lock | 15 13 1 | 3296-2 | Nut - Lock | 9 27 4 |
| 3253-21 | Washer - Lock | 17 13 2 | 3296-5 | Nut - Lock | 14 16 1 |
| 3253-21 | Washer - Lock | 8 35 1 | 3296-5 | Nut - Lock | 1 17 2 |
| 3253-28 | Washer - Lock | 2 2 1 | 3296-15 | Nut - Lock | 12 1 1 |
| 3254-1 | Washer - Ext. Tooth | 8 27 1 | 3296-16 | Nut - Lock | 11 3 1 |
| 3254-1 | Washer - Lock | 32 17 1 | 3296-29 | Nut - Lock | 15 3 2 |
| 3254-1 | Washer - Lock | 30 19 2 | 3296-29 | Nut - Lock | 9 3 4 |

*Not Illustrated

TORO PART NUMBER INDEX (Cont.)

| Part No. | Description | Pg. No. | Ref. No. | Qty. | Part No. | Description | Pg. No. | Ref. No. | Qty. |
|-----------|-------------------------|---------|----------|------|----------|----------------------------|---------|----------|------|
| 3296-29 | Nut - Lock | 17 | 20 | 3 | 32128-20 | Nut - Hex. Flange | 7 | 19 | 4 |
| 3296-33 | Nut - Lock | 15 | 32 | 1 | 32128-33 | Nut - Hex. Flange | 2 | 13 | 1 |
| 3296-33 | Nut - Lock | 2 | 42 | 1 | 32128-33 | Nut - Hex. Flange | 1 | 14 | 4 |
| 3296-39 | Nut - Lock | 9 | 1 | 5 | 32128-33 | Nut - Hex. Flange Hd. | 20 | 10 | 4 |
| 3296-39 | Nut - Lock | 6 | 14 | 2 | 32128-33 | Nut - Hex. Flange Hd. | 5 | 17 | 1 |
| 3296-42 | Nut - Lock | 17 | 1 | 4 | 32128-49 | Nut - Hex. Flange | 4 | 12 | 2 |
| 3296-42 | Nut - Lock | 9 | 19 | 3 | 32136-5 | Nut - Hex. Castle | 12 | 25 | 2 |
| 3296-42 | Nut - Lock | 8 | 38 | 2 | 32140-94 | Screw - Self Tap. Hex. Hd. | 1 | 5 | 8 |
| 3296-44 | Nut - Lock | 12 | 4 | 2 | 32144-10 | Screw - Hex. Self Tap | 2 | 33 | 1 |
| 3296-49 | Nut - Lock | 12 | 8 | 1 | 32144-11 | Screw - Self Tap. Hex. Hd. | 14 | 14 | 2 |
| 32104-17 | Screw - Flange Hex. Hd. | 14 | 26 | 1 | 32149-2 | Nut - Lock | 20 | 4 | 2 |
| 32104-60 | Screw - Flange Hex. Hd. | 8 | 1 | 1 | 32149-2 | Nut - Lock | 11 | 25 | 1 |
| 32104-116 | Screw - Flange Hex. Hd. | 8 | 7 | 2 | 32149-7 | Nut - Keps | 8 | 22 | 4 |
| 32104-116 | Screw - Flange Hex. Hd. | 14 | 8 | 1 | 32151-36 | Ring - Retaining | 12 | 16 | 3 |
| 32107-11 | Nut - Square | 7 | 18 | 2 | 32151-46 | Ring - Retaining | 18 | 1 | 2 |
| 32120-72 | Ring - Retaining | 16 | 27 | 1 | 32152-5 | Nut - Lock | 16 | 14 | 6 |
| 32121-4 | Pin - Roll | 5 | 22 | 1 | 32152-10 | Nut - Jam | 22 | 2 | 1 |
| 32121-6 | Pin - Roll | 4 | 7 | 1 | 340-77 | 90° Elbow | 19 | 2 | 1 |
| 32121-6 | Pin - Roll | 5 | 21 | 1 | 340-125 | Fitting - Tee, Adjustment | 19 | 36 | 1 |
| 32121-10 | Pin - Roll | 2 | 19 | 1 | 351-78 | Edging | 6 | 6 | 1 |
| 32121-15 | Pin - Roll | 25 | 35 | 1 | 353-428 | Elbow - Male 90° | 11 | 6 | 1 |
| 32121-18 | Pin - Roll | 5 | 24 | 1 | 353-536 | Elbow - 90° | 13 | 1 | 3 |
| 32121-31 | Pin - Roll | 14 | 6 | 2 | 353-565 | Fitting - Connector | 19 | 26 | 1 |
| 32121-34 | Pin - Roll | 15 | 39 | 1 | 353-567 | Fitting - Tee, Male | 19 | 25 | 1 |
| 32121-73 | Pin - Roll | 20 | 14 | 1 | 353-705 | 45° Elbow | 13 | 4 | 1 |
| 32121-91 | Pin | 18 | 14 | 3 | 353-714 | Elbow - Male 45° | 11 | 12 | 1 |
| 32121-119 | Pin - Roll | 15 | 40 | 1 | 354-18 | Fitting - Hose Barb | 25 | 32 | 1 |
| 32128-19 | Nut - Flange | 1 | 7 | 2 | 354-24 | Fitting | 19 | 21 | 1 |
| 32128-20 | Nut | 6 | 11 | 4 | | | | | |

PRODUCT CHANGES

In an effort to make improvements available to TORO owners as quickly as possible, minor changes are incorporated into Toro's products from time to time that do not become immediately shown in the Parts Catalog. If such a change has been made in your unit, which is not reflected in your manual, see your TORO Distributor or his Authorized TORO Service Dealer for information and part numbers.

IDENTIFICATION AND ORDERING

MODEL AND SERIAL NUMBERS

The Groundsmaster 220 has two identification numbers; a model number and a serial number. The two numbers are stamped on a plate which is located on the main frame under the seat. In any correspondence concerning the Groundsmaster 220, supply model and serial numbers to assure that correct information and replacement parts are obtained.

To order replacement parts from an Authorized TORO Service Dealer, supply the following information:

1. Model and serial number of the Groundsmaster 220.
2. Part number, description, and the quantity of part(s) desired.

NOTE: Do not order by reference number if a parts catalog is being used; use the PART NUMBER.

TABLE OF CONTENTS

| Description | Page | Description | Page |
|--|------|--|------|
| Hood Assembly | 1 | Blower & Crankshaft Assembly | 31 |
| Pedals & Steering Wheel Assembly | 2 | Air Cleaner & Choke Assembly | 32 |
| Steering Gear Assembly No. 41-8820 | 3 | Carburetor Assembly | 33 |
| Traction Pedal Assembly | 4 | Starter Assembly | 34 |
| Seat Mount | 5 | Part Number Index | 35 |
| Seat Assembly | 6 | | |
| Air Cleaner | 7 | Optional Equipment | |
| Instrument Panel & Steering Post | 8 | 52 Cutting Deck Model No. 30652 | |
| Engine Mounts, Battery & Rear Weight | 9 | 62 Cutting Deck Model No. 30662 | |
| Electrical Schematic | 10 | Kit, Blower Model No. 30502, 52" | |
| Engine Assembly | 11 | (Requires Hopper Kit) | |
| Rear Axle Assembly | 12 | Kit, Blower Model No. 30503, 62" | |
| Fuel Tank and Axle Assembly | 13 | (Requires Hopper Kit) | |
| Power Take-Off Lever Assembly | 14 | Kit, Hopper 9 cu.ft. Model No. 30504 52 / 62 " | |
| Power Take-Off Assembly | 15 | Cutting Units (Requires Blower Kit) | |
| Transmission & Drive Coupling Assembly | 16 | Leaf Mulcher Model No. 30700 For 52C/U | |
| Transmission Interlock Assembly | 17 | Leaf Mulcher Model No. 30792 For 62C/U | |
| Transmission Assembly No. 49-7910 | 18 | Tire Chains Part No. 28-5470 | |
| Hydraulic Valve & Lift Arm Cylinders | 19 | Wheel Weight Model No. 30762 | |
| Valve & Lever Assembly | 20 | Rear Weight Part No. 24-2790 | |
| Valve Assembly No. 43-1700 | 21 | Spark Arrestor Part No. 46-2390 | |
| Hydraulic Cylinder No. 68-9700 | 22 | Kit, Deluxe Seat Conversion Model No. 30705 | |
| Brake Assembly | 23 | V-Plow 48 For Snow Removal, Model No. 30750 | |
| Differential Assembly | 24 | Kit, V-Plow Mounting Model No. 30749 | |
| Cylinder Block Assembly | 26 | (Required For V-Plow) | |
| Engine Air Housing | 28 | | |
| Oil Base & Fuel Pump | 29 | | |
| Ignition Control Assembly | 30 | | |

