

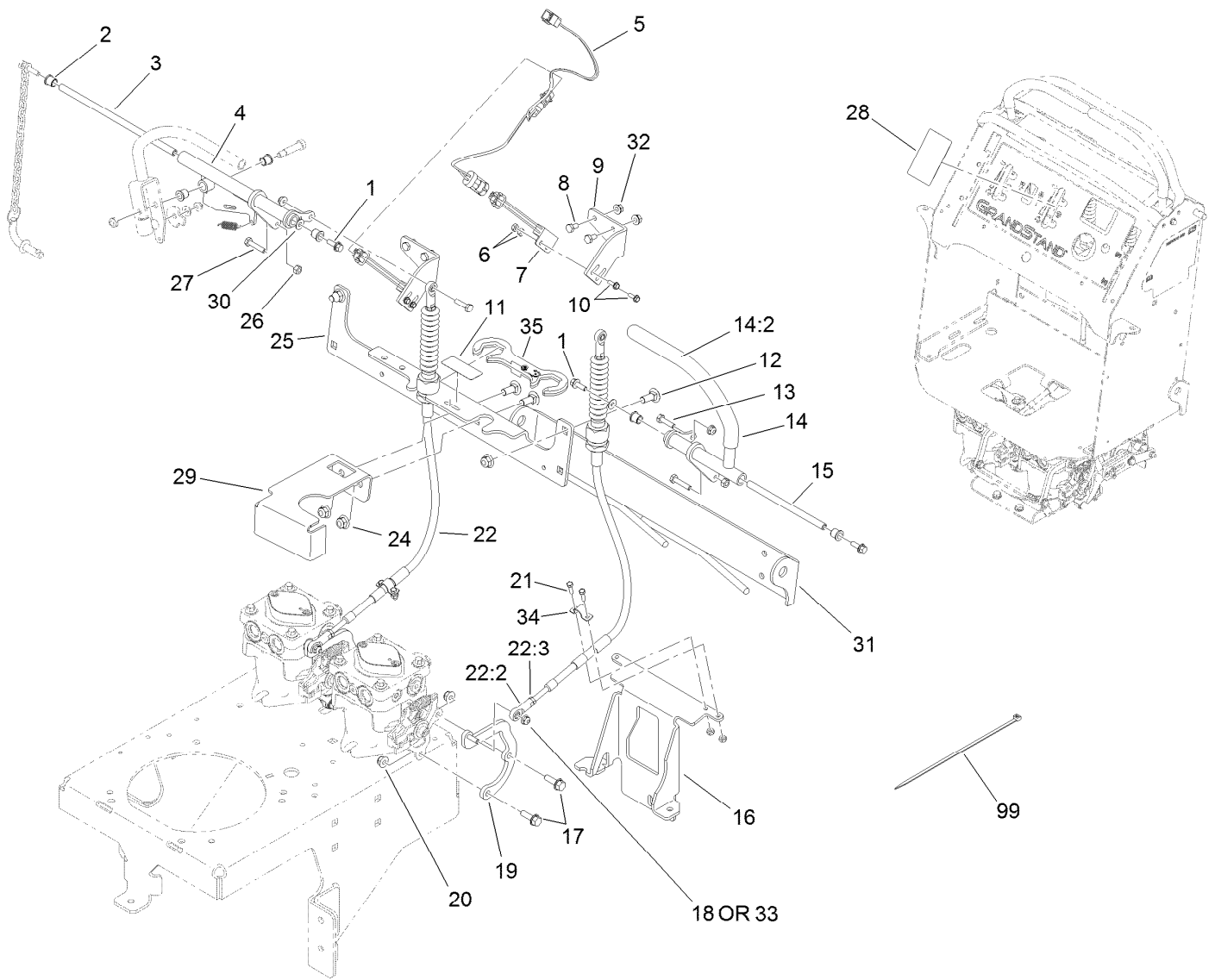


Count on it.

Parts Catalog

Speed Control Removal Kit
2010 and Before GrandStand® Mower
Model No. 119-7380





Speed Control Removal Assembly No. 119-7380

Ref.	Part Number	Qty.	Description	Ref.	Part Number	Qty.	Description
1	3234-4	3	Screw-HHF	19	121-6024	2	Pump Lever ASM
2	103-9928	6	Bearing	20	104-8300	4	Nut-Flange, NI
3	119-1886	1	Shaft-Pivot	21	3290-134	4	Screw
4	119-7353	1	RH Motion Control ASM	22	119-7366	2	Cable ASM
5	120-6408	1	Harness-Wire	22:2	119-7379	2	Rod-Ball Joint
6	3296-2	8	Nut-Lock, NI	22:3	3220-1	3	Nut-Jam
7	105-0023	2	Switch-Proximity	24	104-8301	4	Nut-Flange, NI
8	321-2	4	Screw-HH	25	119-7359-01	1	Bracket-Cross
9	119-8503-01	2	Bracket-Mount, Switch	26	3217-5	2	Nut-Hex
10	32105-23	4	Screw	27	114-0282	2	Screw-HH
11	119-1854	1	Decal-Tracking, Hydro	28	119-7383	1	Decal-Cover Up
12	3231-2	4	Bolt-CARR	29	119-7384-01	1	Bracket-Tank
13	321-6	2	Screw-HH	30	3256-1	2	Washer-Flat
14	119-8743	1	LH Lever ASM	31	119-7369-03	1	Lower Hinge ASM
14:2	119-0222	1	Grip	32	32128-32	4	Nut-HHF
15	119-1885	1	Shaft-Pivot, Motion Control	33	3296-56	1	Nut-Lock, NI
16	119-8746-01	1	Bracket-Cable Mount	34	119-7370	2	Clamp
17	3234-29	4	Screw-HHF	35	120-8372	1	Lock-Cable
18	104-7201	4	Nut-HF	99	1-303335	3	Tie-Plastic