



Count on it.

Parts Catalog

**RP-500 Reversible Plate
Compactor**

Model No. 68071—Serial No. 313000001 and Up



Ordering Replacement Parts

To order replacement parts, please supply the part number, the quantity, and the description of each part desired.

Understanding Reference Numbers

Each identified part in an illustration has a reference number. The reference number for a part also appears in the parts list, along with other information about the part.

This catalog uses two special reference number formats, one to indicate parts in a service assembly and another to indicate the quantity of a given part in an illustration.

Service Assembly Reference Numbers

Parts in service assemblies have reference numbers in the form a:b. The a represents the reference number of the entire service assembly and the b represents a sequential number unique to each part within the service assembly.

For example, a wheel assembly might be identified by reference number 6, the tire by 6:1, the valve by 6:2, and the wheel by 6:3. When you order the assembly identified by reference number 6, you receive all parts identified by reference numbers 6:1, 6:2, and 6:3. However, you may also order any part individually. Reference numbers of this type appear in illustration and in parts lists.

Reference Numbers Indicating Quantity

In an illustration, if a reference number indicates more than one part, the reference number has the form nX y. The n represents the quantity of the part, the X is the multiplication symbol, and the y represents the reference number.

For example, in an illustration, the reference number 2X 37 means that two of the parts identified by reference number 37 are indicated.

List of Abbreviations

AR: as required

ASM: assembly

BBC: blade brake control

BHTF: button head thread forming

CARR: carriage

CCW: counter clockwise

CW: clockwise

DEG: degrees

DPA: Dual Point Adjustment

ECM: electronic control module

EXT: external

FH: flat head

GA: gauge

HD: heavy-duty

HF: hex flange

HH: hex head

HHF: hex head flange

HHFTF: hex head flange thread forming

HJ: hex jam

HLH: hex lag head

HOC: height-of-cut

HSBH: hex socket button head

HSFH: hex socket flat head

HSH: hex socket head

HWH: hex washer head

HWHTF: hex washer head thread forming

HYD: hydraulic

LH: left hand

LP: Liquefied Petroleum Gas

LPG: Liquefied Petroleum Gas

NI: nylon insert

NPTF: national pipe thread fine

PFH: phillips flat head

PPH: phillips pan head

PPHTF: phillips pan head thread forming

PRH: phillips round head

PTH: phillips truss head

PTO: power-take-off

RH: right hand

ROPS: roll-over protection system

RRB: rear roller brush

SFH: slotted fillister head

SHH: slotted hex head

SHWH: slotted hex washer head

SPH: slotted pan head

SQH: square head

SRH: slotted round head

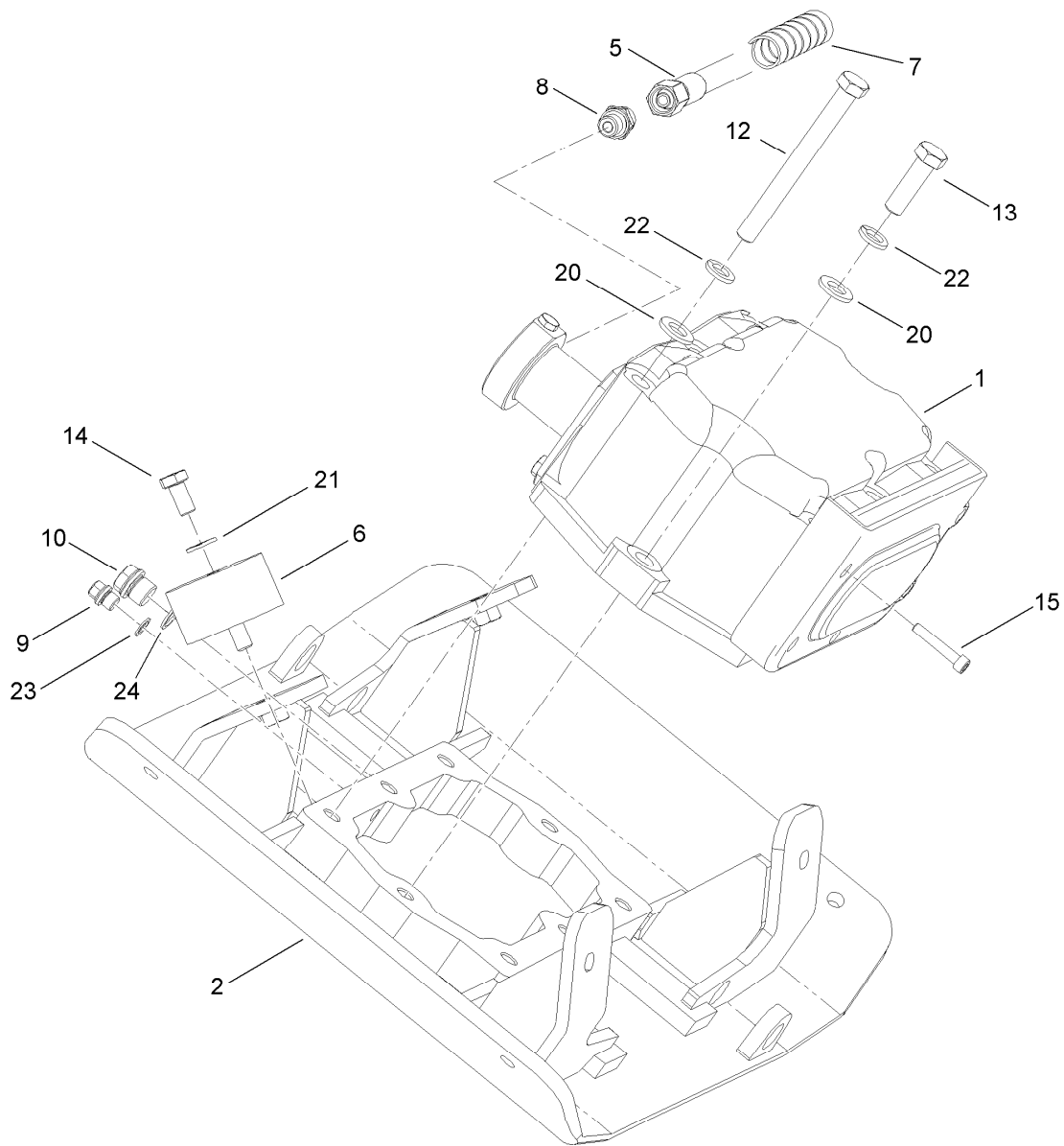
STD: standard

TAP: self tapping

TTH: torx truss head

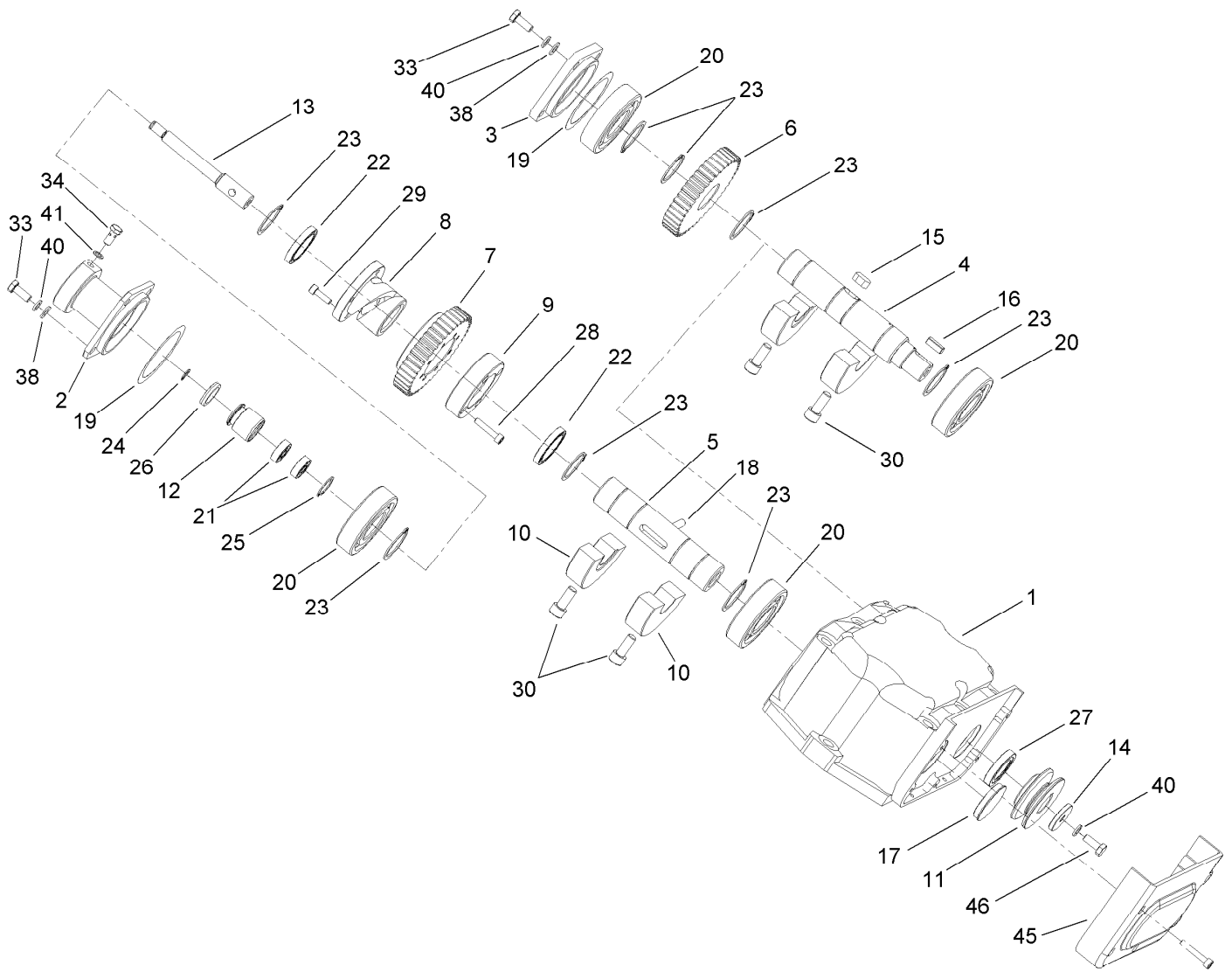
Contents

Bed Plate Assembly	4
Vibratory Assembly No. 127-5052	5
Engine Assembly	6
Engine Plate Assembly	7
Decals	8
Frame Assembly	10
Control Arm Assembly	11
Control and Handle Assembly	12
Attachments and Accessories	13



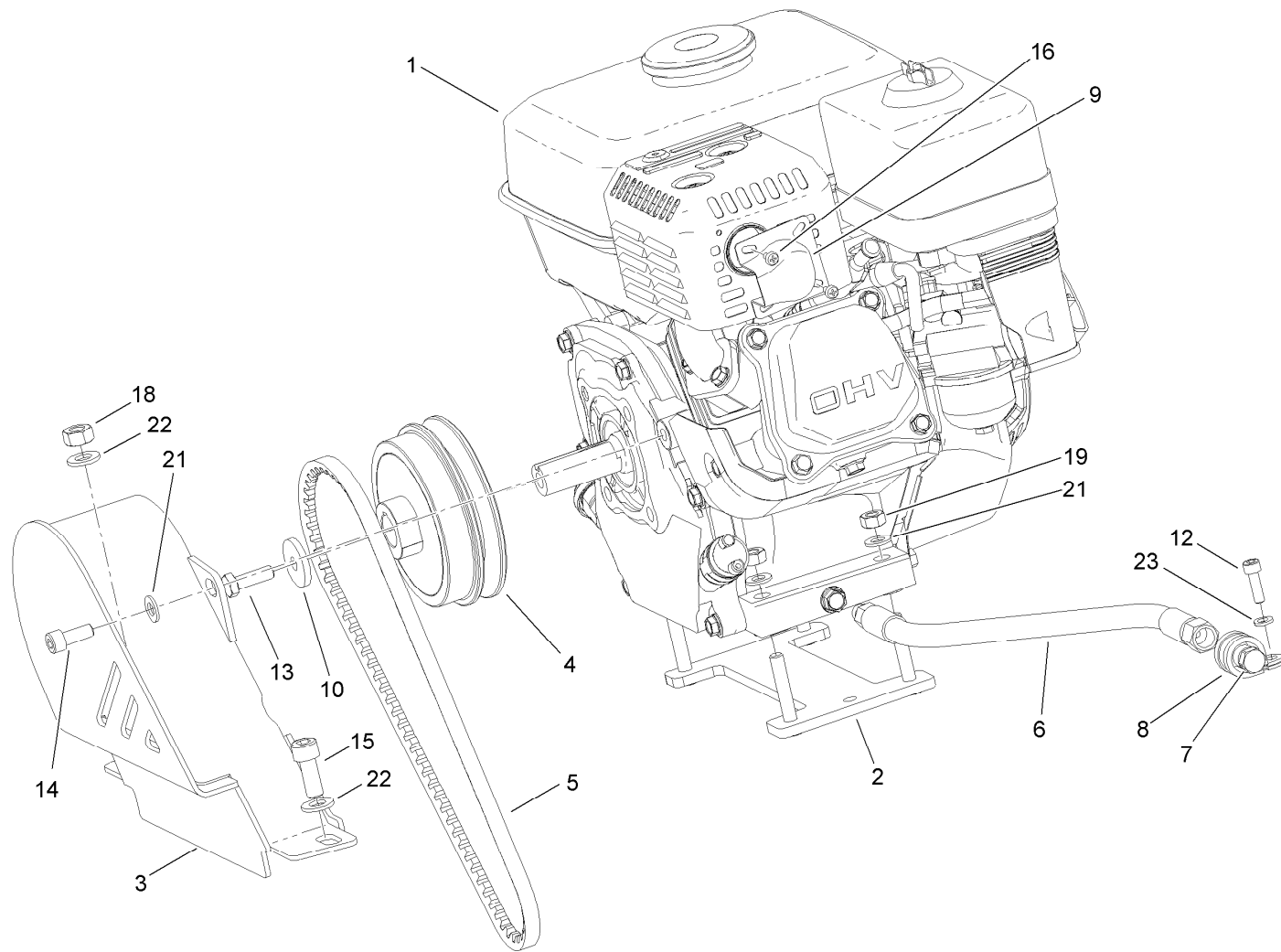
Bed Plate Assembly

<i>Ref.</i>	<i>Part Number</i>	<i>Qty.</i>	<i>Description</i>	<i>Ref.</i>	<i>Part Number</i>	<i>Qty.</i>	<i>Description</i>
1	127-5052	1	Vibratory ASM	13	127-5080	2	Bolt
2	127-5072	1	Plate-Bed	14	33115-020	4	Screw-HH
5	127-5073	1	Hose-HYD	15	127-5081	5	Bolt
6	127-5074	4	Mount-Rubber	20	127-5083	8	Washer
7	127-5075	1	Cover-Hose	21	127-5084	4	Washer
8	127-5076	1	Socket	22	127-5085	8	Washer
9	127-5077	1	Plug	23	127-5086	1	Ring
10	127-5078	1	Plug	24	127-5087	1	Ring
12	127-5079	6	Bolt				



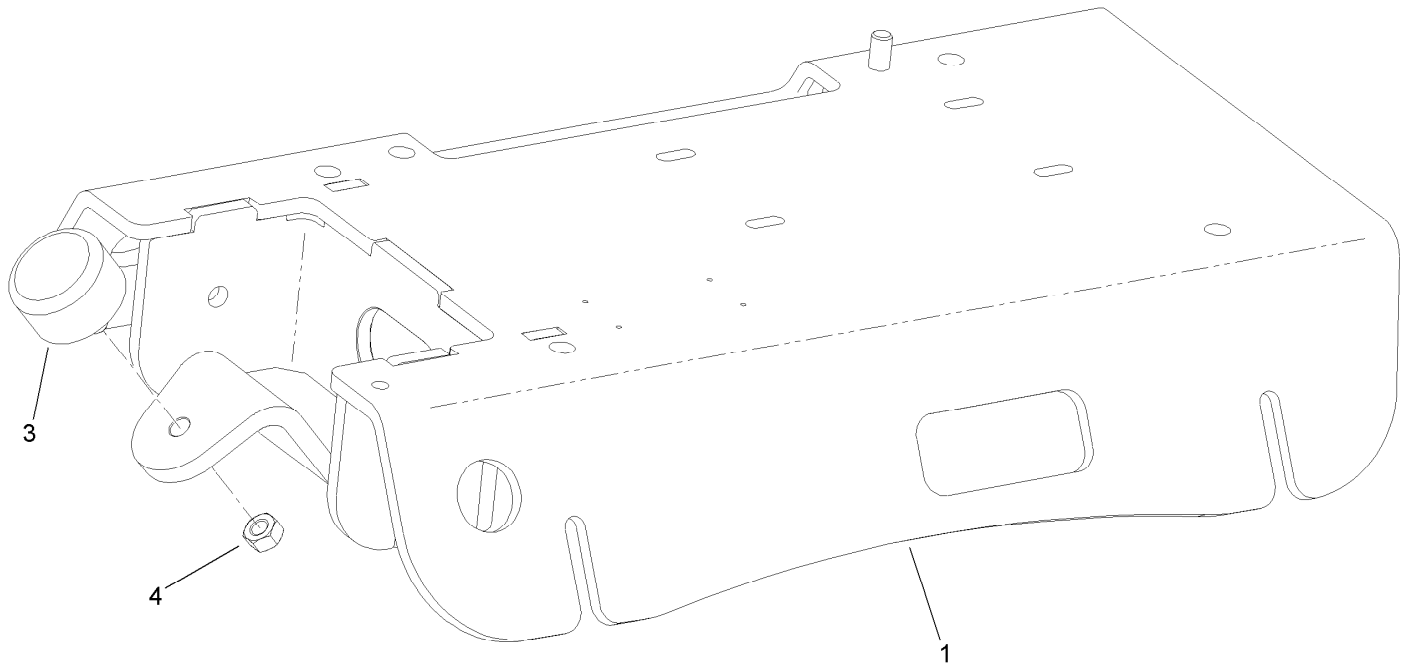
Vibratory Assembly No. 127-5052

Ref.	Part Number	Qty.	Description	Ref.	Part Number	Qty.	Description
1	127-5153	1	Gearbox	20	127-5172	4	Bearing
2	127-5154	1	Cylinder	21	127-5173	2	Bearing
3	127-5155	1	Cover	22	127-5174	2	Bearing
4	127-5156	1	Shaft-Input	23	127-5175	8	Ring-Locking
5	127-5157	1	Shaft	24	127-5176	1	Ring-Locking
6	127-5158	1	Gear	25	127-5177	1	Ring-Locking
7	127-5159	1	Gear	26	127-5142	1	Packing
8	127-5160	1	Bushing	27	127-5178	1	Ring-Packing
9	127-5161	1	Ring-Clamp	28	127-5179	4	Bolt
10	127-5162	1	Weight	29	127-5098	4	Bolt
11	127-5163	1	Pulley	30	127-5180	4	Bolt
12	127-5164	1	Piston	33	127-5099	8	Bolt
13	127-5165	1	Pushrod	34	127-5181	1	Bolt
14	127-5166	1	Washer-Pulley	38	127-5104	9	Washer
15	127-5167	1	Key	40	127-5182	9	Washer
16	127-5168	1	Key	41	127-5624	1	Ring-Packing
17	127-5169	1	Plug	45	127-5183	1	Cover
18	127-5170	1	Bearing-Needle	46	127-5184	1	Bolt
19	127-5171	2	O-Ring				



Engine Assembly

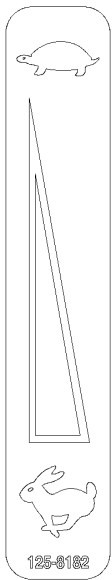
<i>Ref.</i>	<i>Part Number</i>	<i>Qty.</i>	<i>Description</i>	<i>Ref.</i>	<i>Part Number</i>	<i>Qty.</i>	<i>Description</i>
1	127-5088	1	Engine-Honda	12	127-5098	1	Bolt
2	127-5089	1	Mount-Engine	13	127-5099	1	Bolt
3	127-5090	1	Guard-Belt	14	127-5100	1	Bolt
4	127-5091	1	Pulley-Drive	15	127-5101	1	Bolt
5	127-5092	1	Belt-V	16	127-5102	2	Bolt
6	127-5093	1	Hose-Oil Drain	18	33025-00	1	Nut-Lock, NI
7	127-5094	1	Plug-Oil	19	127-5103	4	Nut
8	127-5095	1	Clip-Hose	21	127-5104	5	Washer
9	127-5096	1	Deflector-Exhaust	22	127-5084	2	Washer
10	127-5097	1	Washer	23	127-5105	1	Washer



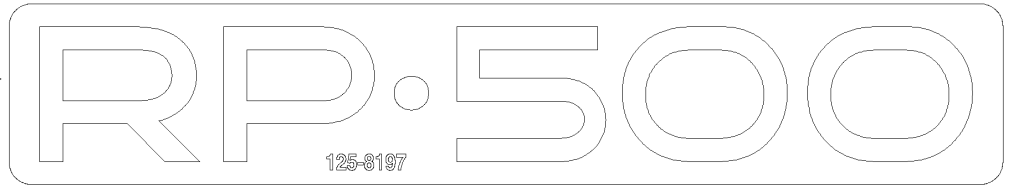
Engine Plate Assembly

<i>Ref.</i>	<i>Part Number</i>	<i>Qty.</i>	<i>Description</i>
1	127-5106	1	Plate-Engine
3	127-5107	1	Bumper-Rubber
4	33025-00	1	Nut-Lock, NI

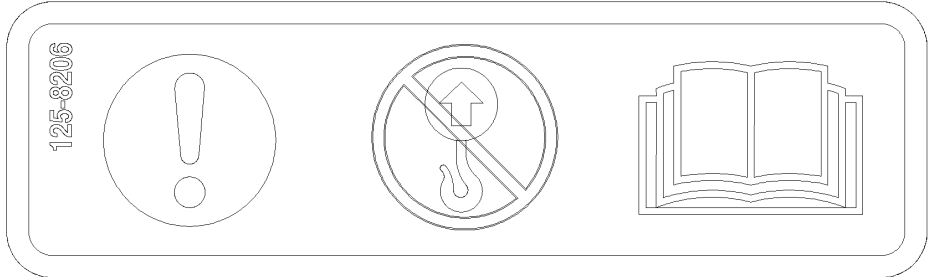
Decals



4



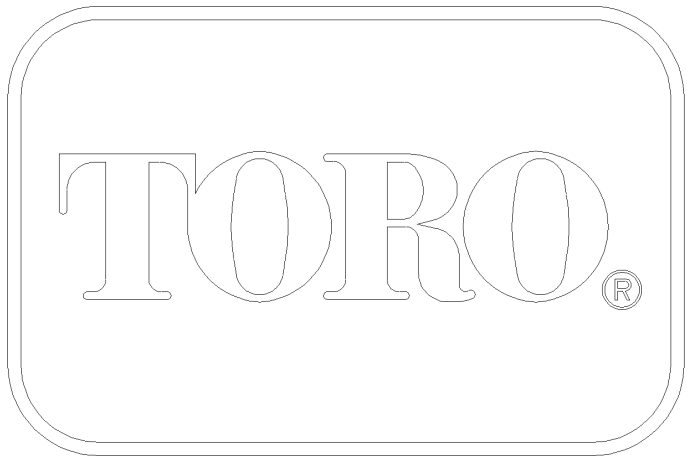
7



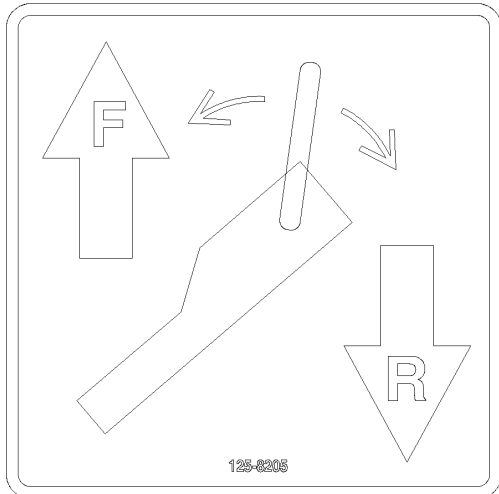
6



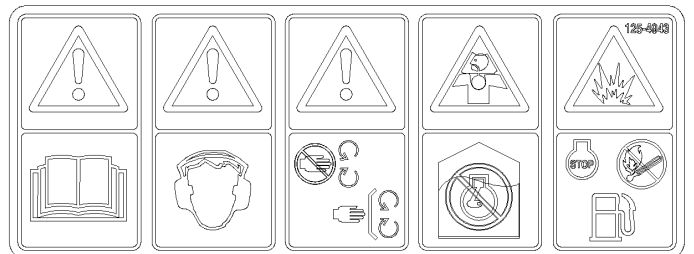
9



10



5



2



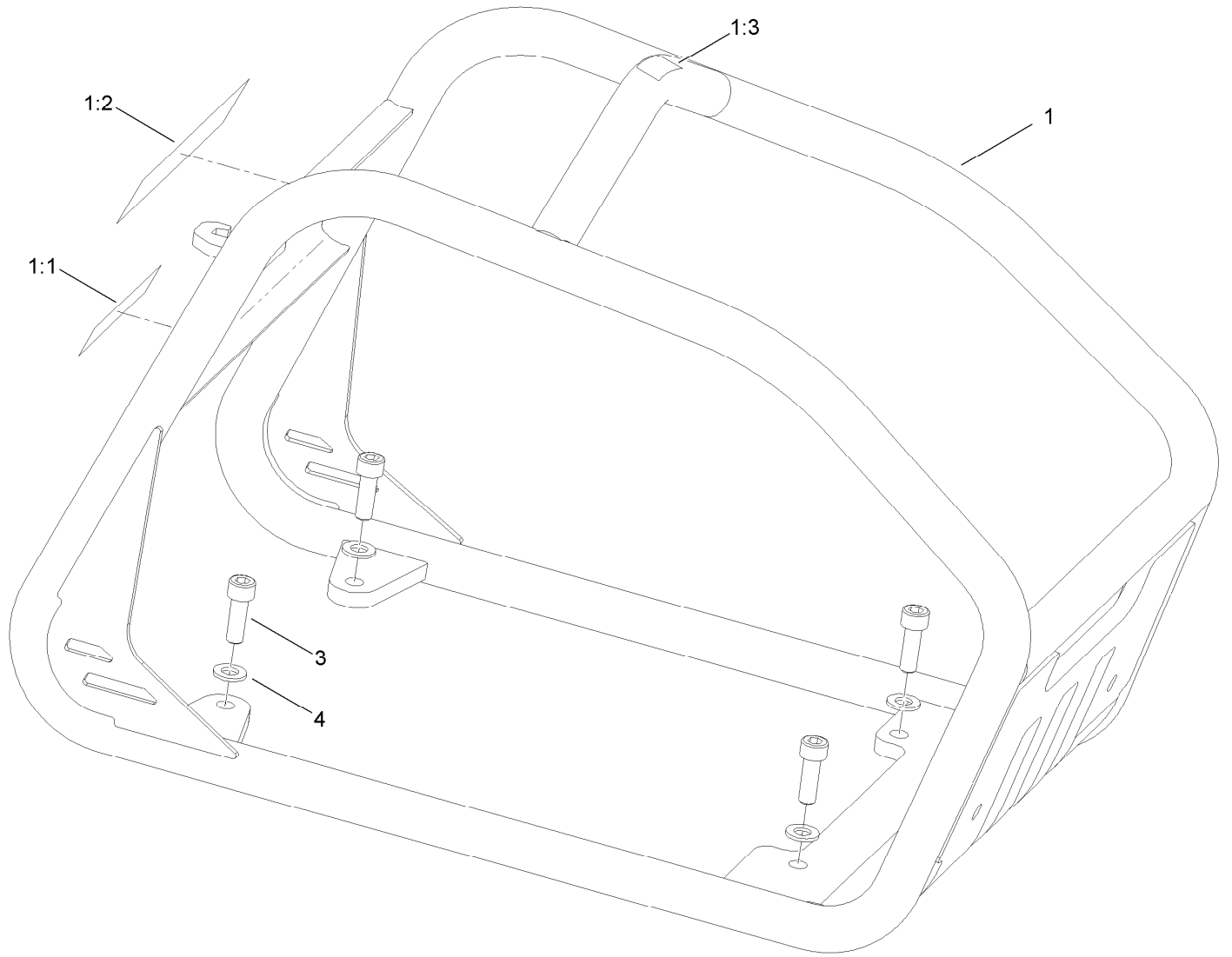
3

CALIFORNIA SPARK ARRESTER WARNING
 Operation of this equipment may create sparks that can start fires around dry vegetation. A spark arrester may be required. The operator should contact local fire agencies for laws or regulations relating to fire prevention requirements. 117-2718

8

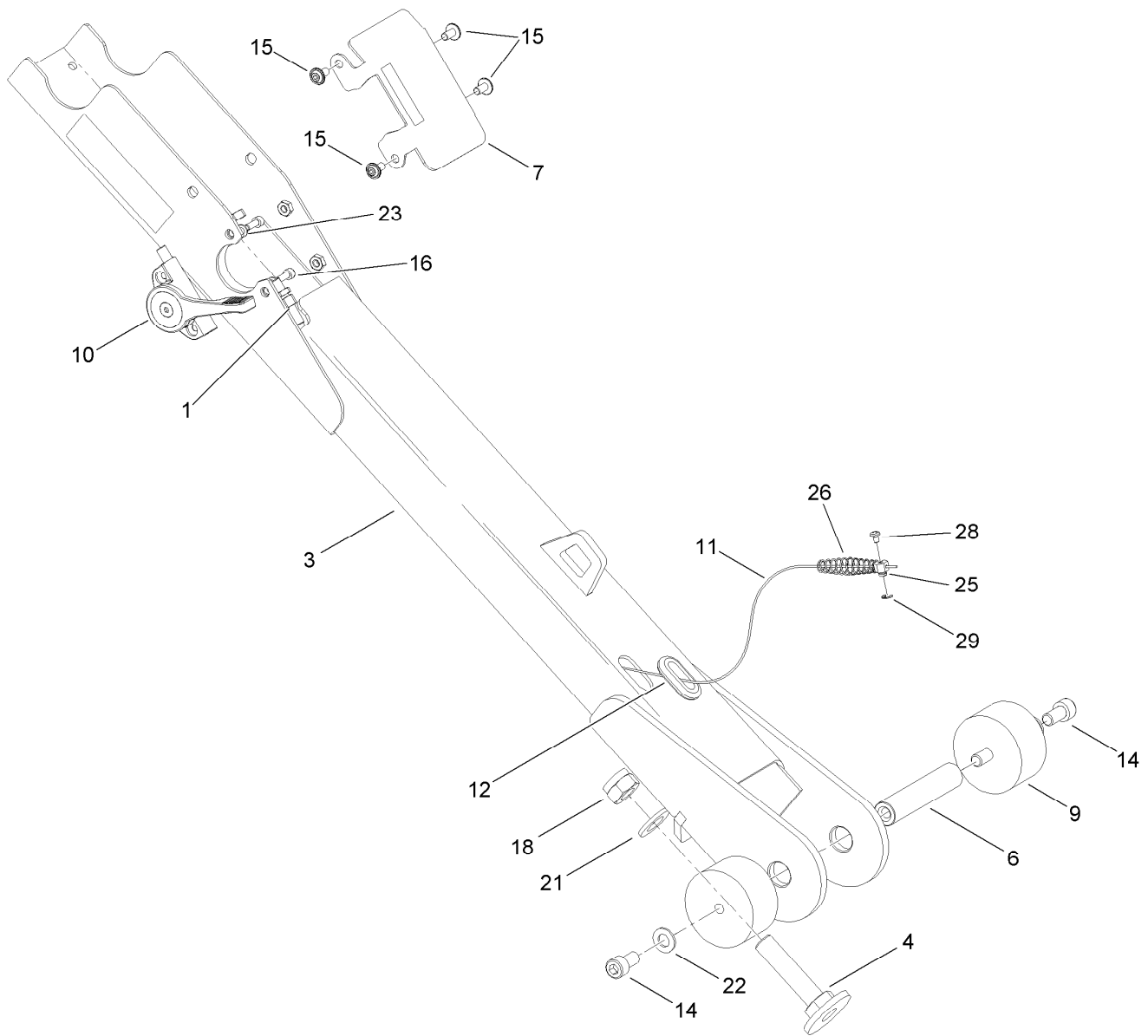
Decals (continued)

<i>Ref.</i>	<i>Part Number</i>	<i>Qty.</i>	<i>Description</i>	<i>Ref.</i>	<i>Part Number</i>	<i>Qty.</i>	<i>Description</i>
2	125-4943	1	Decal-Warning, Plate	7	125-8197	2	Decal (Rp-500)
3	125-8214	1	Decal-Toro Logo	8	117-2718	1	Decal-Arrester, Spark
4	125-8182	1	Decal-Throttle	9	125-8207	1	Decal-Engine Oil
5	125-8205	1	Decal-Operation	10	70-2200	2	Decal
6	125-8206	1	Decal-Caution				



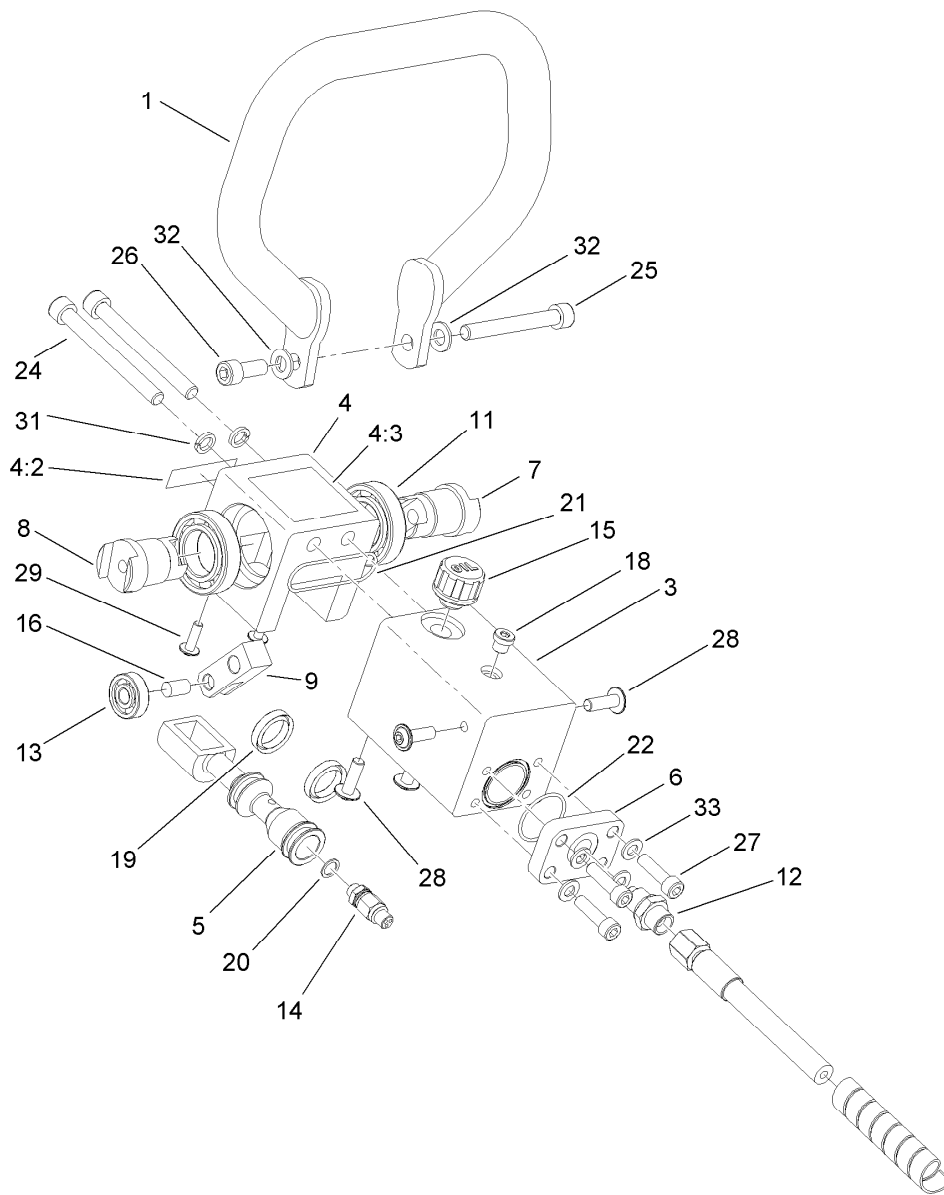
Frame Assembly

<i>Ref.</i>	<i>Part Number</i>	<i>Qty.</i>	<i>Description</i>
1	127-5108	1	Cage-Engine
1:1	117-2718	1	Decal-Arrester, Spark
1:2	125-4943	1	Decal-Warning, Plate
1:3	93-9084	1	Decal-Point, Lift
3	127-5109	4	Bolt
4	127-5084	4	Washer



Control Arm Assembly

Ref.	Part Number	Qty.	Description	Ref.	Part Number	Qty.	Description
1	127-5110	1	Guide-Cable	15	127-5119	4	Bolt
3	127-5111	1	Control Arm ASM	16	127-5120	2	Bolt
4	127-5112	1	Screw-Stop	18	127-5121	1	Nut
6	127-5113	1	Bar-Pin	21	127-5123	1	Washer
7	127-5114	1	Plate-Cover	22	127-5084	2	Washer
9	127-5115	2	Mount-Rubber	23	127-5124	2	Washer
10	127-5116	1	Lever-Throttle	25	127-5125	1	Nut-Wire
11	127-5117	1	Cable-Throttle	26	127-5126	1	Spring
12	127-5118	1	Grommet	28	127-5102	1	Bolt
14	127-5101	2	Bolt	29	127-5127	1	Bar-Ring



Control and Handle Assembly

<i>Ref.</i>	<i>Part Number</i>	<i>Qty.</i>	<i>Description</i>	<i>Ref.</i>	<i>Part Number</i>	<i>Qty.</i>	<i>Description</i>
1	127-5128	1	Handle-Control, Travel	16	127-5140	1	Pin
3	127-5129	1	Manifold-Valve	18	127-5141	1	Plug
4	127-5051	1	Manifold-Valve, Upper	19	127-5142	1	Packing
4:2	125-8206	1	Decal-Caution	20	127-5143	1	Ring-Aluminum
4:3	125-8205	1	Decal-Operation	21	127-5144	1	O-Ring
5	127-5130	1	Spool-Valve	22	127-5145	1	O-Ring
6	127-5131	1	Cover-End	24	127-5146	2	Bolt
7	127-5132	1	Pivot-Left	25	127-5147	1	Bolt
8	127-5133	1	Pivot-Right	26	127-5109	1	Bolt
9	127-5134	1	Arm-Pivot	27	127-5148	4	Bolt
11	127-5135	2	Bearing	28	127-5149	4	Bolt
12	127-5136	1	Socket	29	127-5150	2	Bolt
13	127-5137	1	Bearing	31	127-5151	2	Washer
14	127-5138	1	Valve-Check	32	127-5084	2	Washer
15	127-5139	1	Plug	33	127-5104	4	Washer

Attachments and Accessories

For 68071 RP-500 Reversible Plate Compactor

Product Name	Model/Part
Paver Mat Kit	68066
EZ Wheel Plate Kit.....	68076
Water Sprinkling Kit	68077

Notes:

Notes:



Count on it.