



Count on it.

Parts Catalog

**RP-700 Reversible Plate
Compactor**

Model No. 68072—Serial No. 313000001 and Up



Ordering Replacement Parts

To order replacement parts, please supply the part number, the quantity, and the description of each part desired.

Understanding Reference Numbers

Each identified part in an illustration has a reference number. The reference number for a part also appears in the parts list, along with other information about the part.

This catalog uses two special reference number formats, one to indicate parts in a service assembly and another to indicate the quantity of a given part in an illustration.

Service Assembly Reference Numbers

Parts in service assemblies have reference numbers in the form a:b. The a represents the reference number of the entire service assembly and the b represents a sequential number unique to each part within the service assembly.

For example, a wheel assembly might be identified by reference number 6, the tire by 6:1, the valve by 6:2, and the wheel by 6:3. When you order the assembly identified by reference number 6, you receive all parts identified by reference numbers 6:1, 6:2, and 6:3. However, you may also order any part individually. Reference numbers of this type appear in illustration and in parts lists.

Reference Numbers Indicating Quantity

In an illustration, if a reference number indicates more than one part, the reference number has the form nX y. The n represents the quantity of the part, the X is the multiplication symbol, and the y represents the reference number.

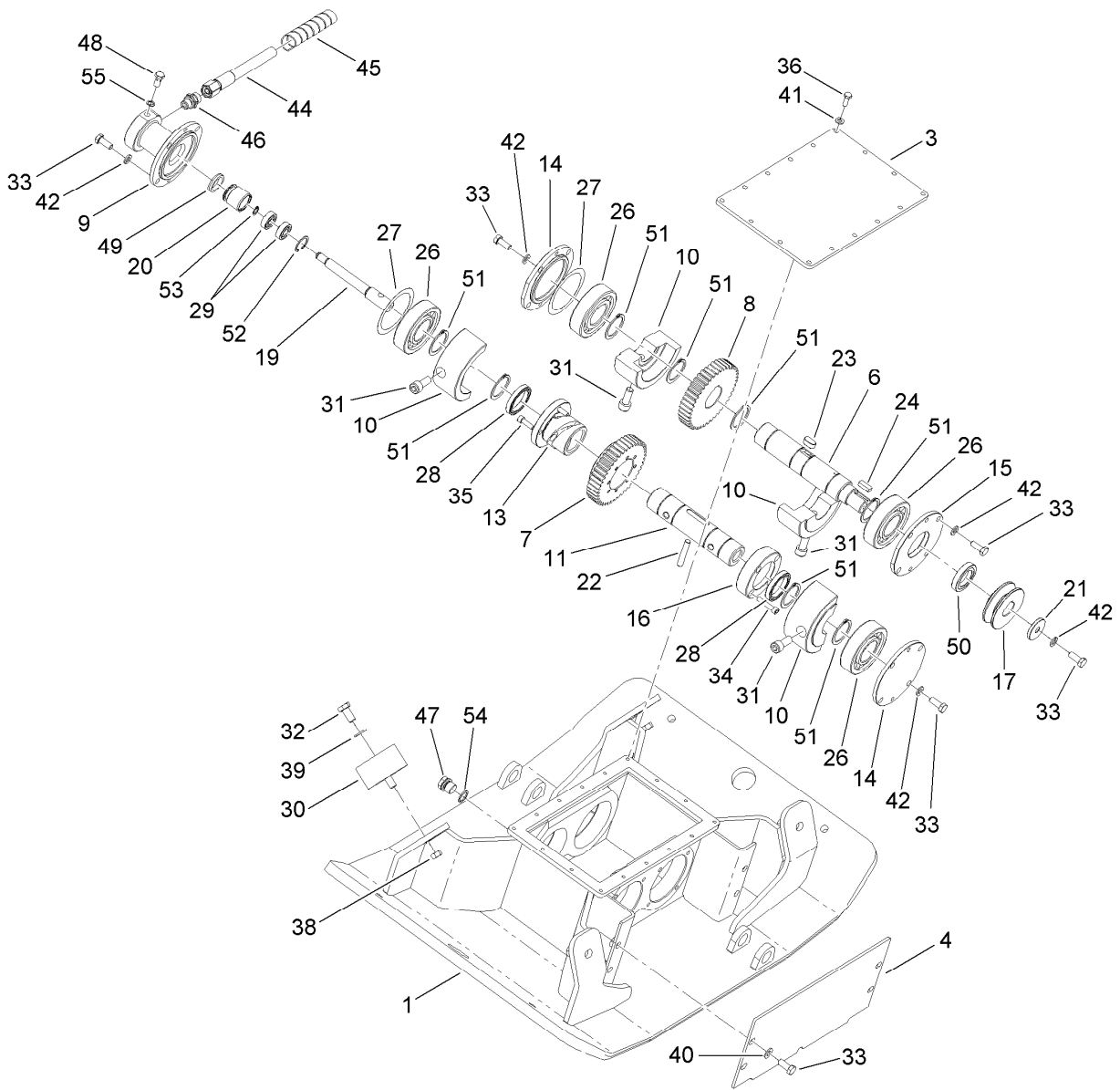
For example, in an illustration, the reference number 2X 37 means that two of the parts identified by reference number 37 are indicated.

List of Abbreviations

AR: as required	HLH: hex lag head	PTO: power-take-off
ASM: assembly	HOC: height-of-cut	RH: right hand
BBC: blade brake control	HSBH: hex socket button head	ROPS: roll-over protection system
BHTF: button head thread forming	HSFH: hex socket flat head	RRB: rear roller brush
CARR: carriage	HSH: hex socket head	SFH: slotted fillister head
CCW: counter clockwise	HWH: hex washer head	SHH: slotted hex head
CW: clockwise	HWHTF: hex washer head thread forming	SHWH: slotted hex washer head
DEG: degrees	HYD: hydraulic	SPH: slotted pan head
DPA: Dual Point Adjustment	LH: left hand	SQH: square head
ECM: electronic control module	LP: Liquefied Petroleum Gas	SRH: slotted round head
EXT: external	LPG: Liquefied Petroleum Gas	STD: standard
FH: flat head	NI: nylon insert	TAP: self tapping
GA: gauge	NPTF: national pipe thread fine	TTH: torx truss head
HD: heavy-duty	PFH: phillips flat head	
HF: hex flange	PPH: phillips pan head	
HH: hex head	PPHTF: phillips pan head thread forming	
HHF: hex head flange	PRH: phillips round head	
HHFTF: hex head flange thread forming	PTH: phillips truss head	
HJ: hex jam		

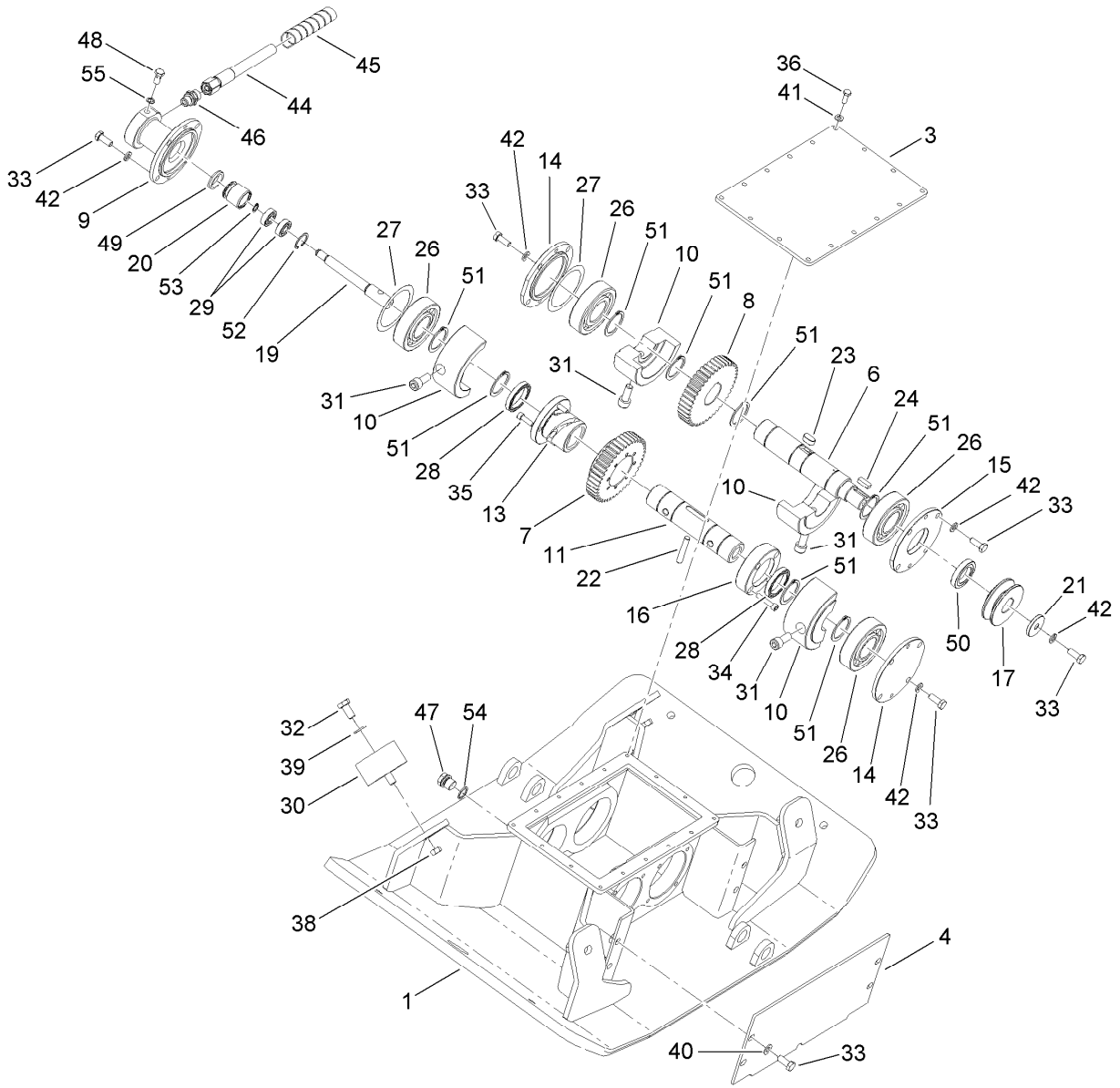
Contents

Bed Plate Assembly	4
Engine Assembly	6
Engine Plate Assembly	7
Decals	8
Frame Assembly.....	10
Control Arm Assembly.....	11
Control and Handle Assembly	12
Attachments and Accessories	13



Bed Plate Assembly

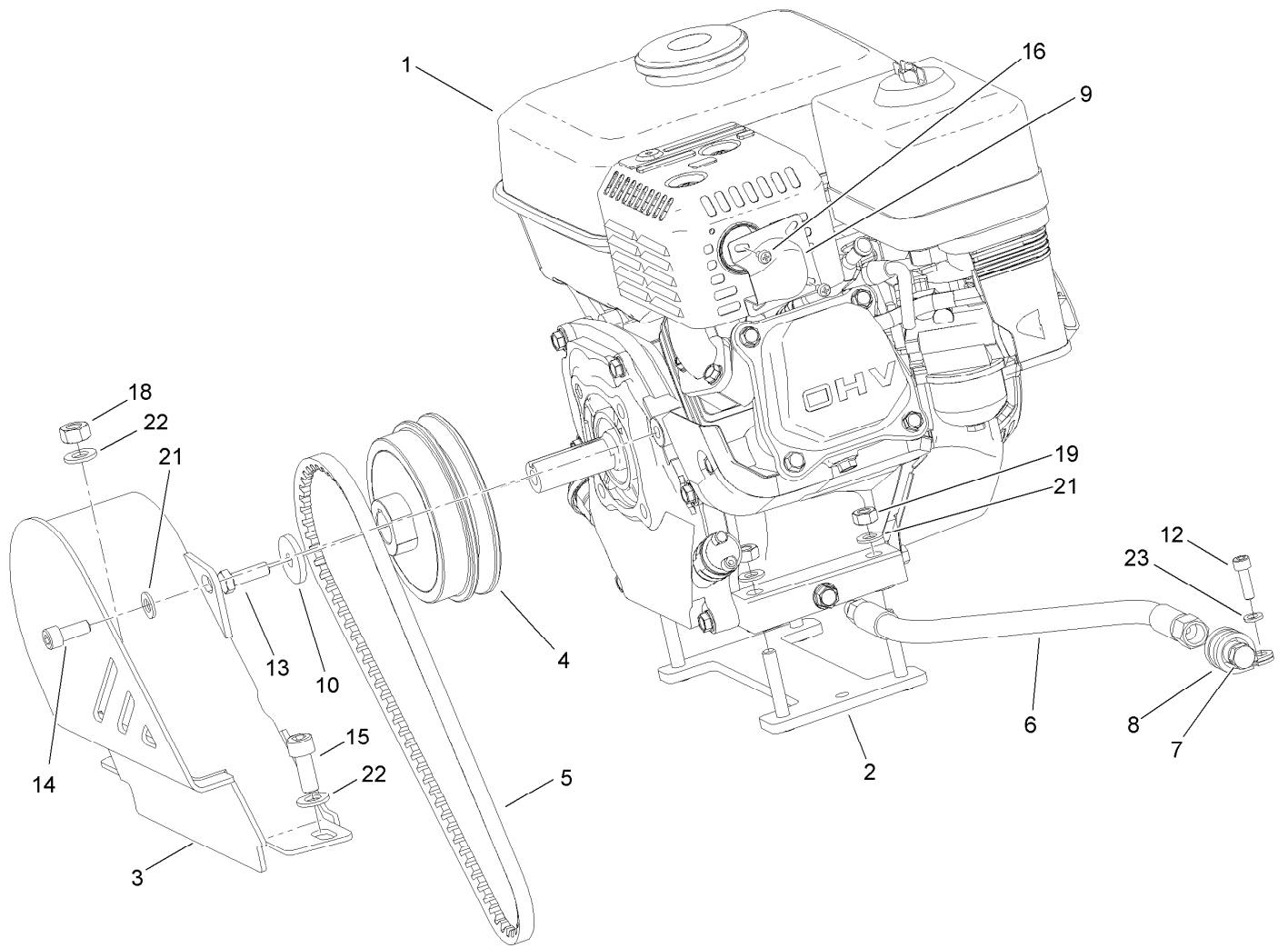
Ref.	Part Number	Qty.	Description	Ref.	Part Number	Qty.	Description
1	127-5200	1	Plate-Base	27	127-5220	2	Washer-Distance
3	127-5201	1	Cover-Top	28	127-5174	2	Bearing
4	127-5202	1	Cover-Side	29	127-5173	2	Bearing
6	127-5203	1	Shaft-Input	30	127-5074	4	Mount-Rubber
7	127-5204	1	Wheel-Tooth li	31	127-5180	4	Bolt
8	127-5205	1	Wheel-Tooth l	32	33115-020	4	Screw-HH
9	127-5206	1	Flange-Mounting	33	127-5184	21	Bolt
10	127-5207	2	Weight-Eccentric	34	127-5179	4	Bolt
11	127-5208	1	Shaft-Eccentric, Driven	35	127-5098	4	Bolt
13	127-5209	1	Bushing	36	127-5221	16	Bolt
14	127-5210	2	Cover-Bearing	38	33025-00	4	Nut-Lock, NI
15	127-5211	1	Cover-Bearing	39	127-5084	4	Washer
16	127-5212	1	Ring-Clamp	40	127-5104	4	Washer
17	127-5163	1	Pulley	41	127-5105	16	Washer
19	127-5213	1	Rod-Shift	42	127-5222	17	Washer-Lock
20	127-5214	1	Piston-Shift	44	127-5223	1	Hose-HYD
21	127-5215	1	Washer	45	127-5075	1	Cover-Hose
22	127-5216	1	Pin-Shifting	46	127-5224	1	Socket
23	127-5217	1	Key	47	127-5078	1	Plug
24	127-5218	1	Key	48	127-5225	1	Bolt-Flow
26	127-5219	4	Bearing-Ball	49	127-5142	1	Packing



Bed Plate Assembly (continued)

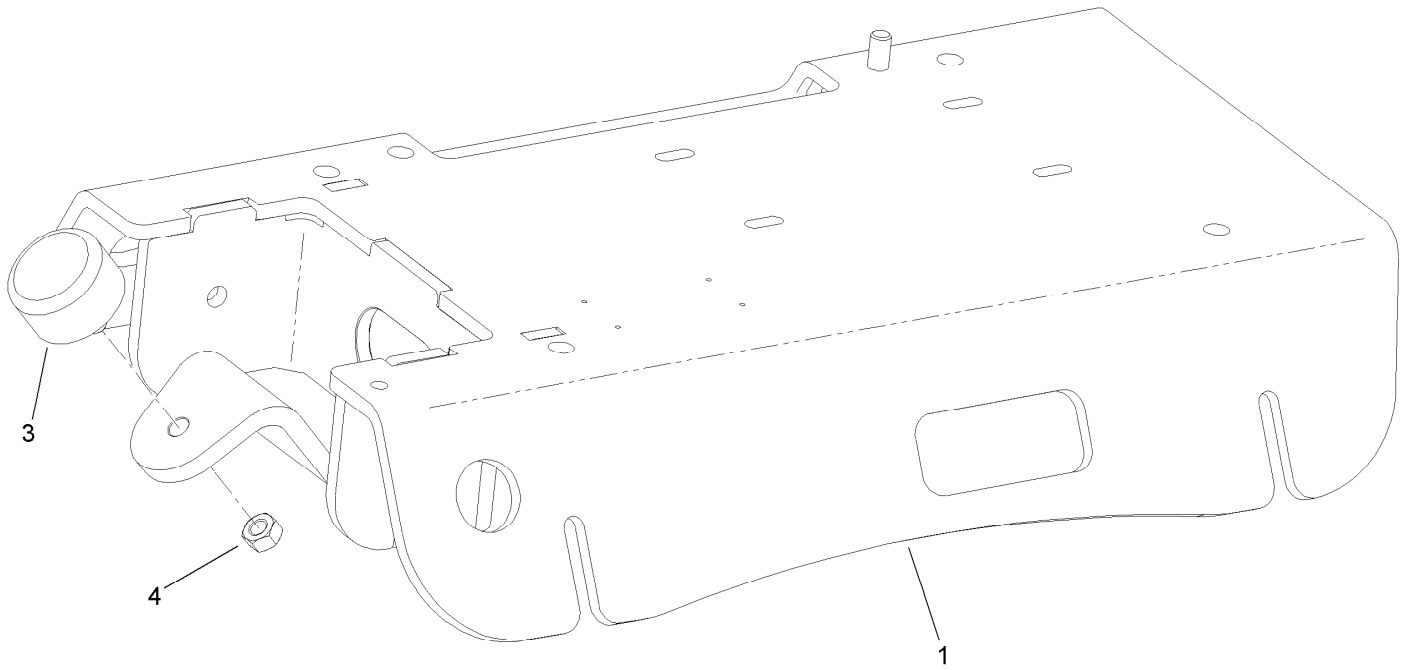
<i>Ref.</i>	<i>Part Number</i>	<i>Qty.</i>	<i>Description</i>
50	127-5178	1	Ring-Packing
51	127-5175	8	Ring-Locking
52	127-5177	1	Ring-Locking

<i>Ref.</i>	<i>Part Number</i>	<i>Qty.</i>	<i>Description</i>
53	127-5226	1	Ring-Packing
54	127-5087	1	Ring
55	127-5227	1	Ring-Copper



Engine Assembly

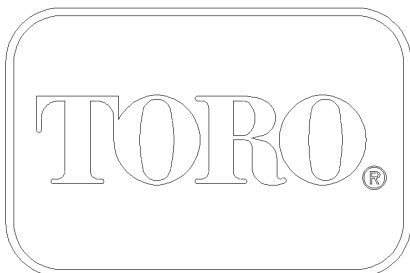
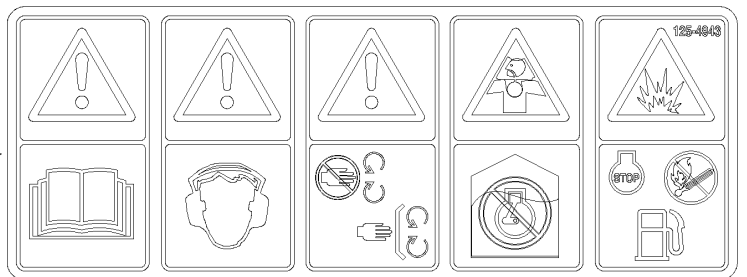
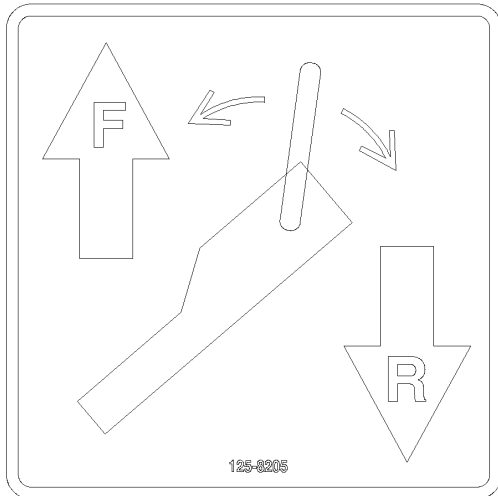
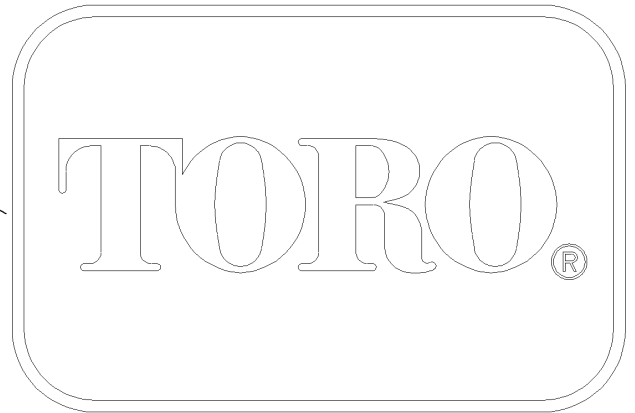
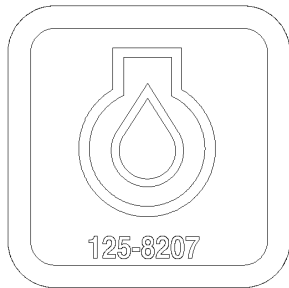
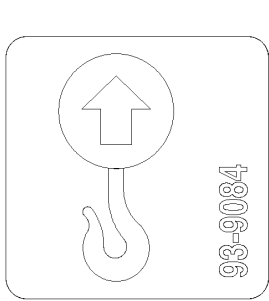
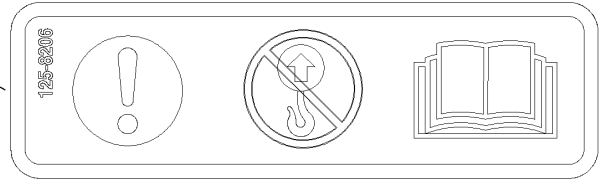
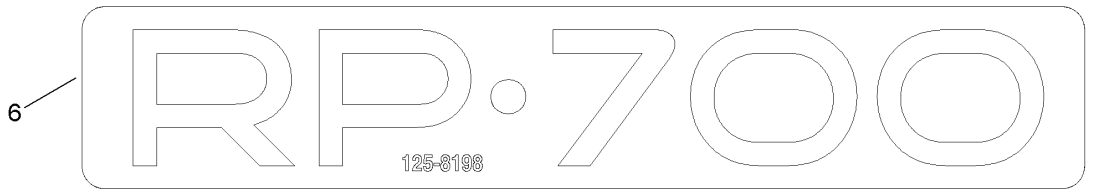
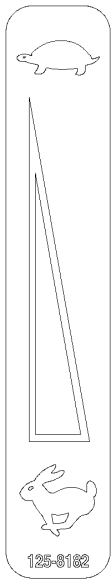
<i>Ref.</i>	<i>Part Number</i>	<i>Qty.</i>	<i>Description</i>	<i>Ref.</i>	<i>Part Number</i>	<i>Qty.</i>	<i>Description</i>
1	127-5228	1	Engine-Honda	12	127-5098	1	Bolt
2	127-5089	1	Mount-Engine	13	127-5099	1	Bolt
3	127-5229	1	Guard-Belt	14	127-5100	1	Bolt
4	127-5091	1	Pulley-Drive	15	127-5101	1	Bolt
5	127-5230	1	Belt-V	16	127-5102	2	Bolt
6	127-5231	1	Hose-Drain, Oil	18	33025-00	1	Nut-Lock, NI
7	127-5094	1	Plug-Oil	19	127-5103	4	Nut
8	127-5095	1	Clip-Hose	21	127-5104	5	Washer
9	127-5096	1	Deflector-Exhaust	22	127-5084	2	Washer
10	127-5097	1	Washer	23	127-5105	1	Washer



Engine Plate Assembly

<i>Ref.</i>	<i>Part Number</i>	<i>Qty.</i>	<i>Description</i>
1	127-5232	1	Plate-Engine
3	127-5107	1	Bumper-Rubber
4	33025-00	1	Nut-Lock, NI

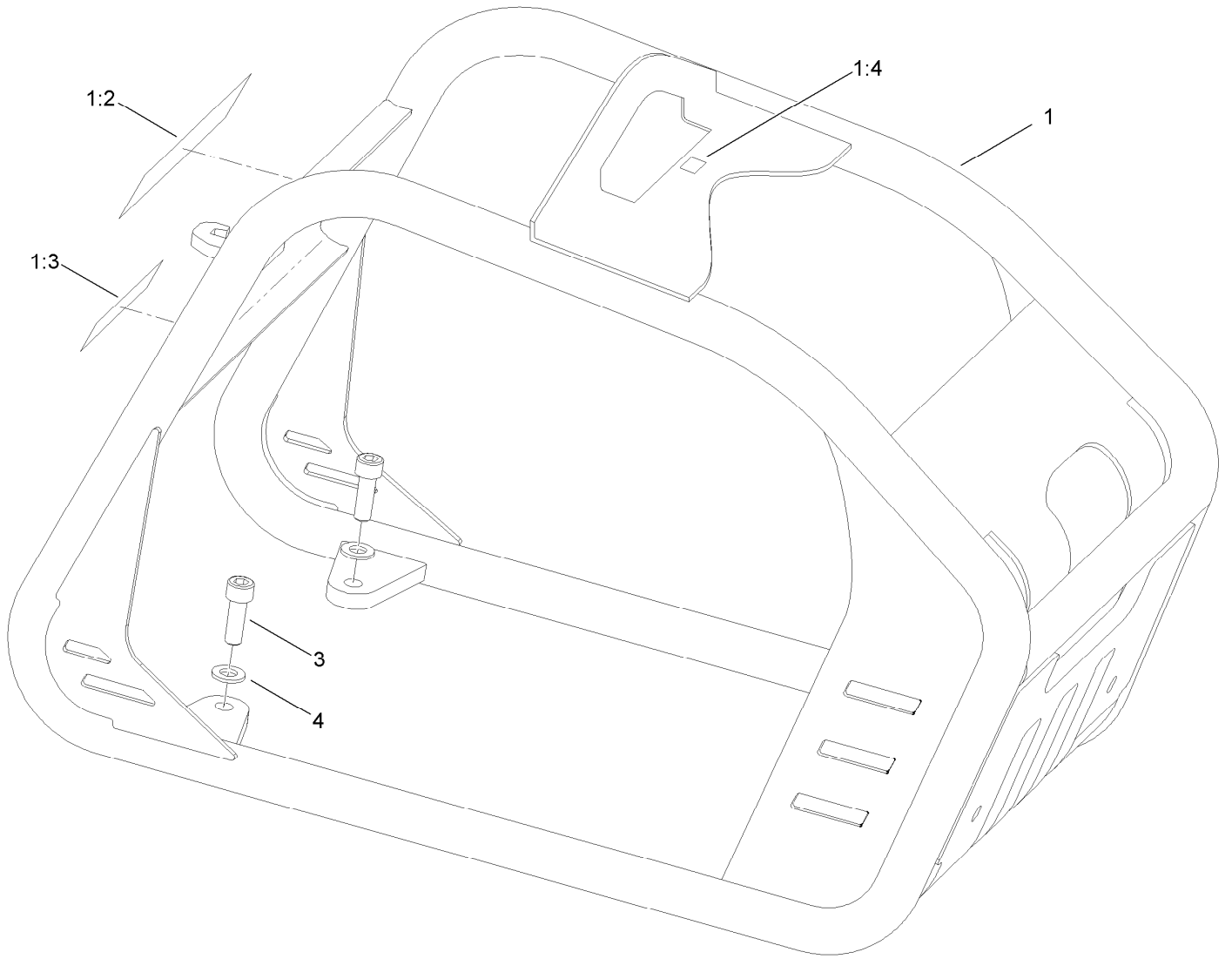
Decals



CALIFORNIA SPARK ARRESTER WARNING
 Operation of this equipment may create sparks that can start fires around dry vegetation. A spark arrester may be required. The operator should contact local fire agencies for laws or regulations relating to fire prevention requirements. 117-2718

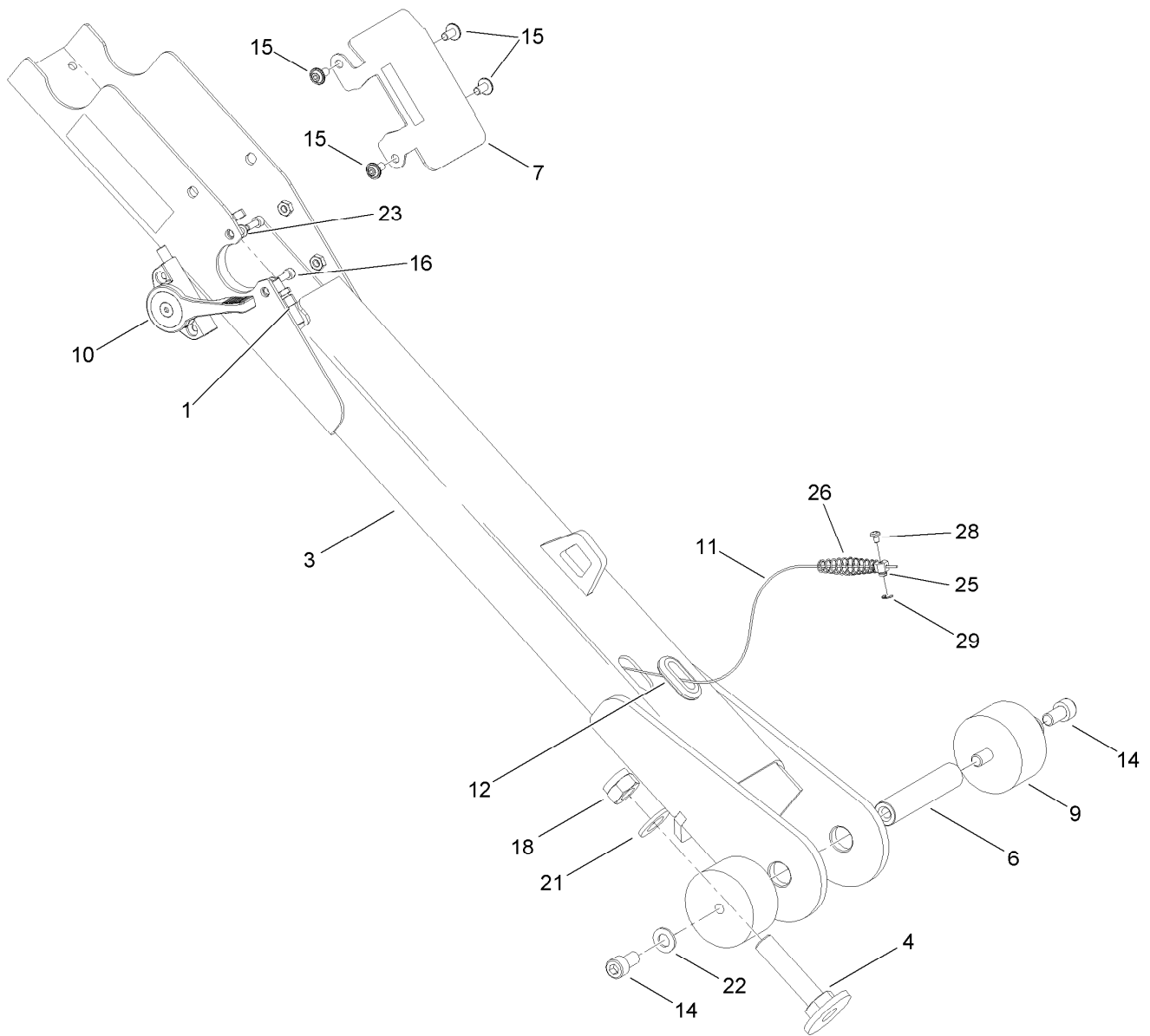
Decals (continued)

<i>Ref.</i>	<i>Part Number</i>	<i>Qty.</i>	<i>Description</i>	<i>Ref.</i>	<i>Part Number</i>	<i>Qty.</i>	<i>Description</i>
1	93-9084	1	Decal-Point, Lift	6	125-8198	2	Decal (Rp-700)
2	125-4943	1	Decal-Warning, Plate	7	117-2718	1	Decal-Arrester, Spark
3	125-8182	1	Decal-Throttle	8	125-8207	1	Decal-Engine Oil
4	125-8205	1	Decal-Operation	9	70-2200	2	Decal
5	125-8206	1	Decal-Caution	11	104-3989	1	Decal



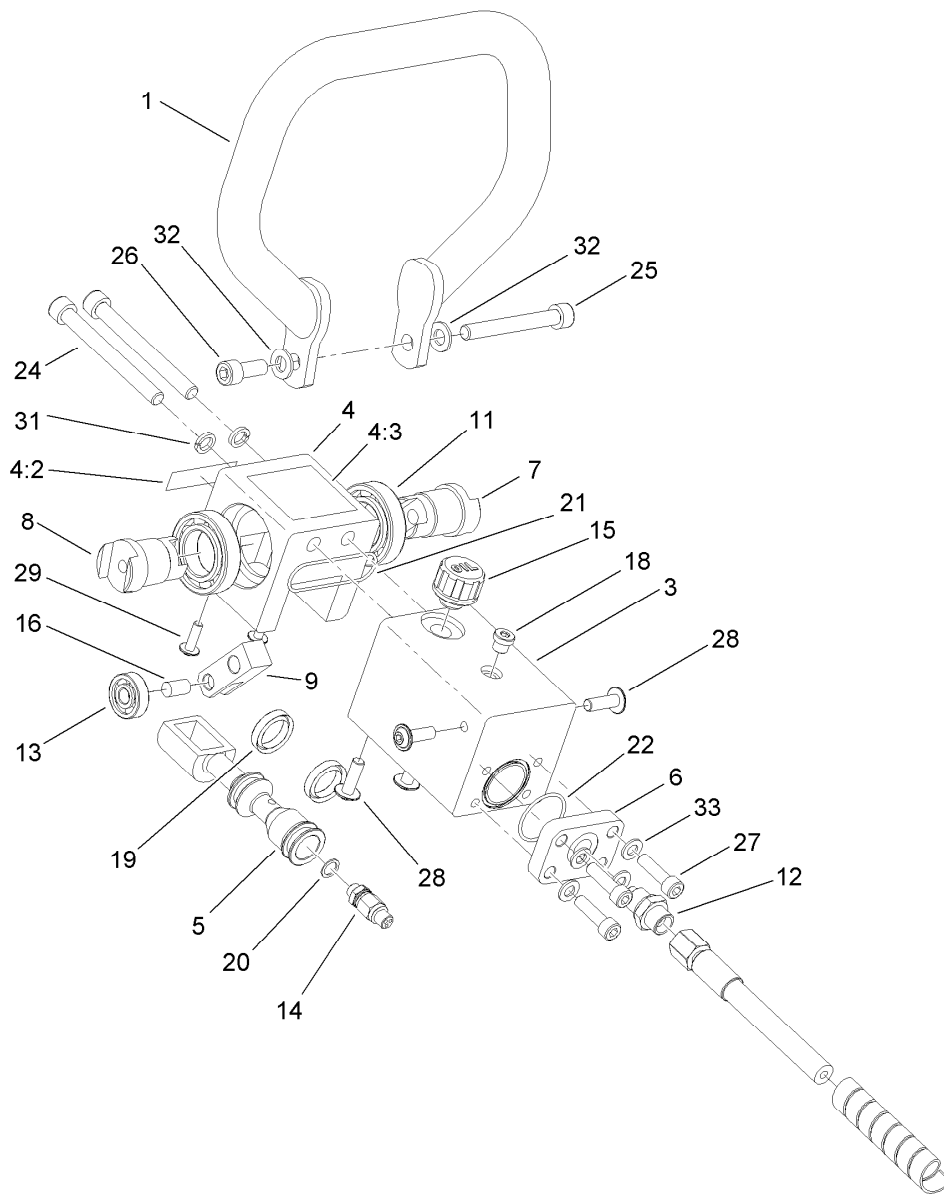
Frame Assembly

<i>Ref.</i>	<i>Part Number</i>	<i>Qty.</i>	<i>Description</i>
1	127-5057	1	Engine Cage ASM
1:2	125-4943	1	Decal-Warning, Plate
1:3	117-2718	1	Decal-Arrester, Spark
1:4	93-9084	1	Decal-Point, Lift
3	127-5109	4	Bolt
4	127-5084	4	Washer



Control Arm Assembly

<i>Ref.</i>	<i>Part Number</i>	<i>Qty.</i>	<i>Description</i>	<i>Ref.</i>	<i>Part Number</i>	<i>Qty.</i>	<i>Description</i>
1	127-5110	1	Guide-Cable	15	127-5119	4	Bolt
3	127-5111	1	Control Arm ASM	16	127-5120	2	Bolt
4	127-5112	1	Screw-Stop	18	127-5121	1	Nut
6	127-5113	1	Bar-Pin	21	127-5123	1	Washer
7	127-5114	1	Plate-Cover	22	127-5084	2	Washer
9	127-5115	2	Mount-Rubber	23	127-5124	2	Washer
10	127-5116	1	Lever-Throttle	25	127-5125	1	Nut-Wire
11	127-5117	1	Cable-Throttle	26	127-5126	1	Spring
12	127-5118	1	Grommet	28	127-5102	1	Bolt
14	127-5101	2	Bolt	29	127-5127	1	Bar-Ring



Control and Handle Assembly

<i>Ref.</i>	<i>Part Number</i>	<i>Qty.</i>	<i>Description</i>	<i>Ref.</i>	<i>Part Number</i>	<i>Qty.</i>	<i>Description</i>
1	127-5128	1	Handle-Control, Travel	16	127-5140	1	Pin
3	127-5129	1	Manifold-Valve	18	127-5141	1	Plug
4	127-5051	1	Manifold-Valve, Upper	19	127-5142	1	Packing
4:2	125-8206	1	Decal-Caution	20	127-5143	1	Ring-Aluminum
4:3	125-8205	1	Decal-Operation	21	127-5144	1	O-Ring
5	127-5130	1	Spool-Valve	22	127-5145	1	O-Ring
6	127-5131	1	Cover-End	24	127-5146	2	Bolt
7	127-5132	1	Pivot-Left	25	127-5147	1	Bolt
8	127-5133	1	Pivot-Right	26	127-5109	1	Bolt
9	127-5134	1	Arm-Pivot	27	127-5148	4	Bolt
11	127-5135	1	Bearing	28	127-5149	4	Bolt
12	127-5136	1	Socket	29	127-5150	2	Bolt
13	127-5137	1	Bearing	31	127-5151	2	Washer
14	127-5138	1	Valve-Check	32	127-5084	2	Washer
15	127-5139	1	Plug	33	127-5104	4	Washer

Attachments and Accessories

For 68072 RP-700 Reversible Plate Compactor

Product Name	Model/Part
Paver Mat Kit	68067
EZ Wheel Plate Kit.....	68076
Water Sprinkling Kit	68077

Notes:

Notes:



Count on it.