



Count on it.

Parts Catalog

**RP-1200 Reversible Plate
Compactor**

Model No. 68073—Serial No. 313000001 and Up



Ordering Replacement Parts

To order replacement parts, please supply the part number, the quantity, and the description of each part desired.

Understanding Reference Numbers

Each identified part in an illustration has a reference number. The reference number for a part also appears in the parts list, along with other information about the part.

This catalog uses two special reference number formats, one to indicate parts in a service assembly and another to indicate the quantity of a given part in an illustration.

Service Assembly Reference Numbers

Parts in service assemblies have reference numbers in the form a:b. The a represents the reference number of the entire service assembly and the b represents a sequential number unique to each part within the service assembly.

For example, a wheel assembly might be identified by reference number 6, the tire by 6:1, the valve by 6:2, and the wheel by 6:3. When you order the assembly identified by reference number 6, you receive all parts identified by reference numbers 6:1, 6:2, and 6:3. However, you may also order any part individually. Reference numbers of this type appear in illustration and in parts lists.

Reference Numbers Indicating Quantity

In an illustration, if a reference number indicates more than one part, the reference number has the form nX y. The n represents the quantity of the part, the X is the multiplication symbol, and the y represents the reference number.

For example, in an illustration, the reference number 2X 37 means that two of the parts identified by reference number 37 are indicated.

List of Abbreviations

AR: as required

ASM: assembly

BBC: blade brake control

BHTF: button head thread forming

CARR: carriage

CCW: counter clockwise

CW: clockwise

DEG: degrees

DPA: Dual Point Adjustment

ECM: electronic control module

EXT: external

FH: flat head

GA: gauge

HD: heavy-duty

HF: hex flange

HH: hex head

HHF: hex head flange

HHFTF: hex head flange thread forming

HJ: hex jam

HLH: hex lag head

HOC: height-of-cut

HSBH: hex socket button head

HSFH: hex socket flat head

HSH: hex socket head

HWH: hex washer head

HWHTF: hex washer head thread forming

HYD: hydraulic

LH: left hand

LP: Liquefied Petroleum Gas

LPG: Liquefied Petroleum Gas

NI: nylon insert

NPTF: national pipe thread fine

PFH: phillips flat head

PPH: phillips pan head

PPHTF: phillips pan head thread forming

PRH: phillips round head

PTH: phillips truss head

PTO: power-take-off

RH: right hand

ROPS: roll-over protection system

RRB: rear roller brush

SFH: slotted fillister head

SHH: slotted hex head

SHWH: slotted hex washer head

SPH: slotted pan head

SQH: square head

SRH: slotted round head

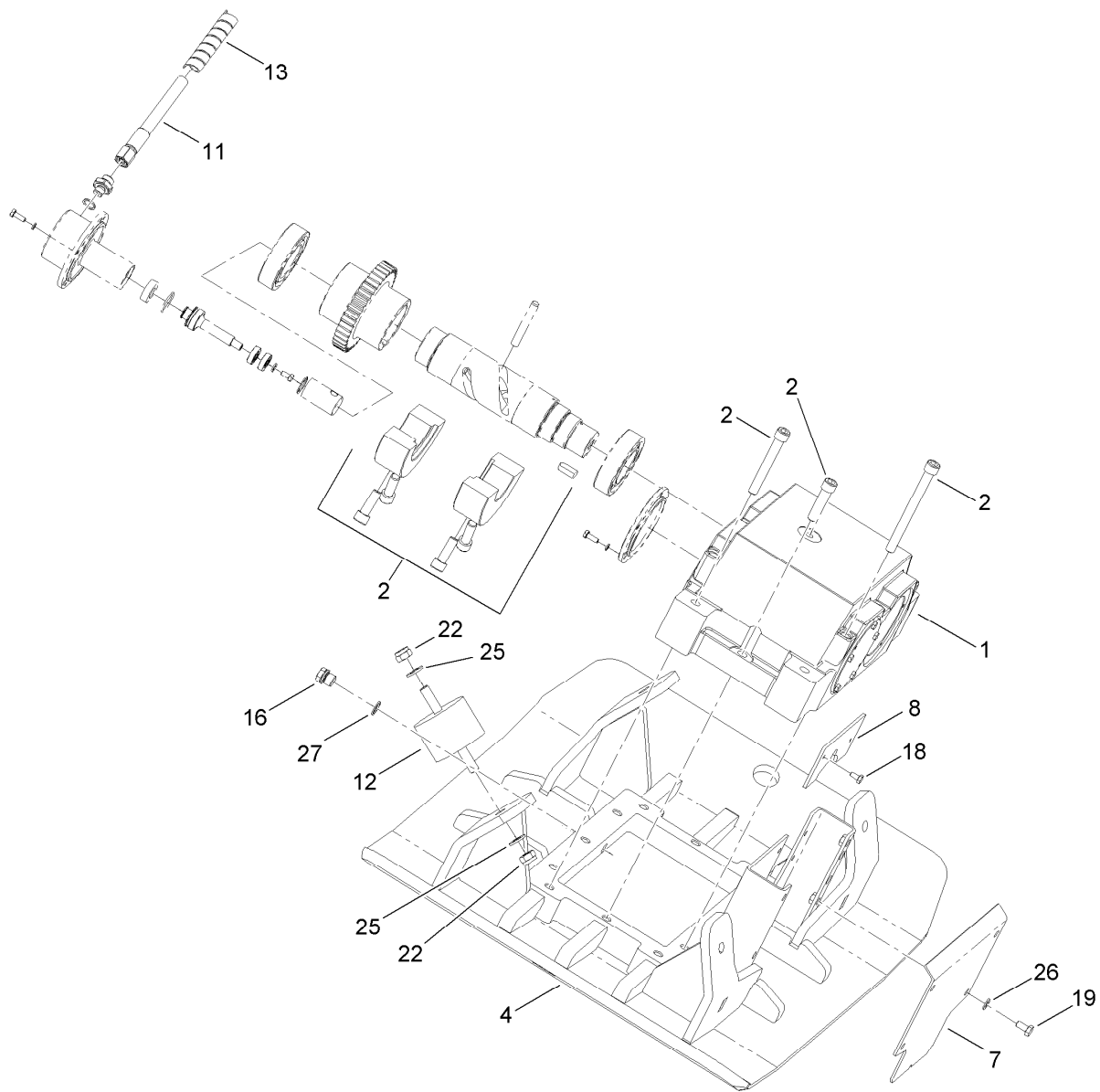
STD: standard

TAP: self tapping

TTH: torx truss head

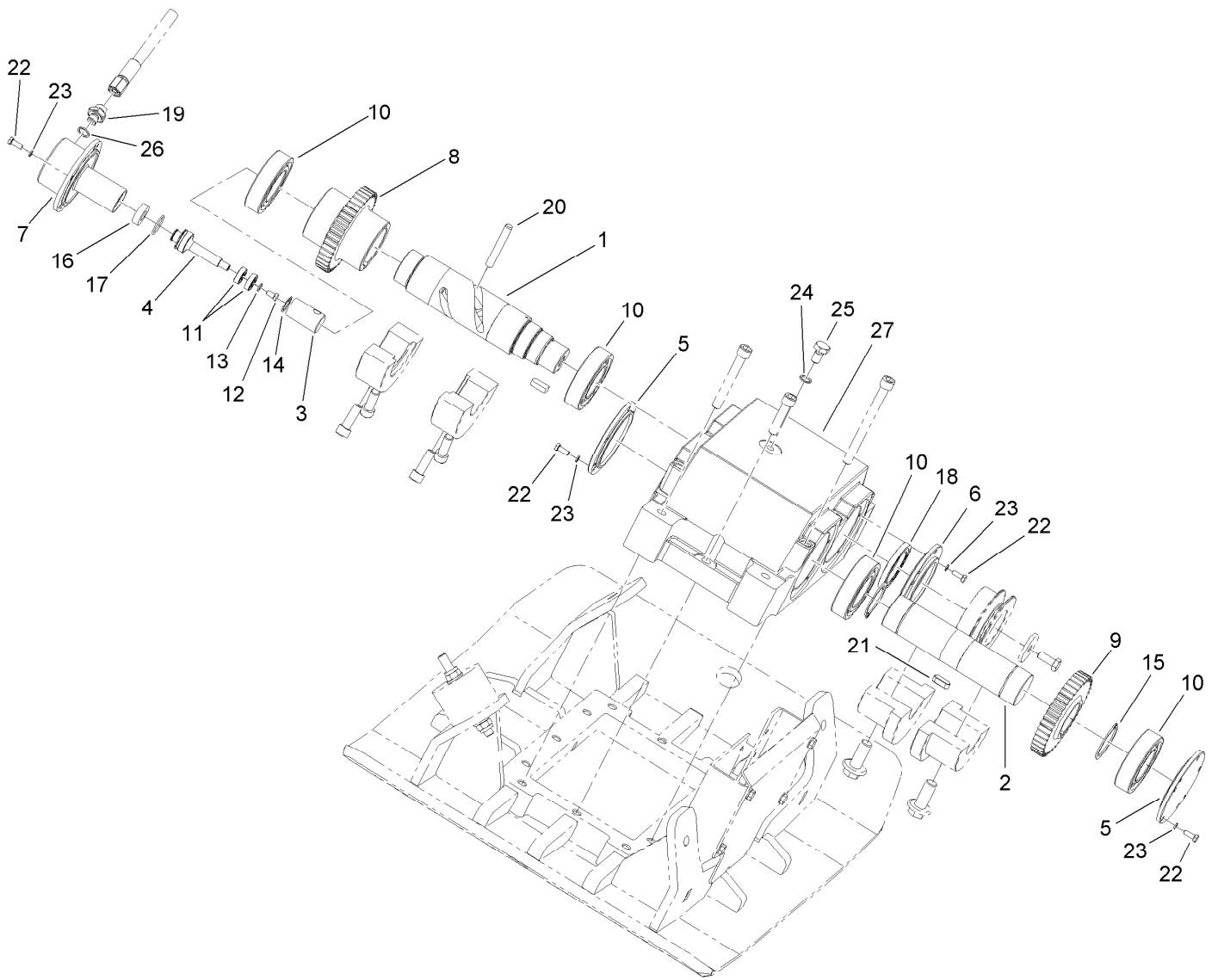
Contents

Bed Plate Assembly	4
Vibratory Assembly No. 127-5061	5
Weight Kit Assembly No. 127-5058	6
Engine Assembly	7
Engine Plate Assembly	8
Frame and Cover Assembly	9
Control Arm Assembly	10
Control and Handle Assembly	11
Decals	12



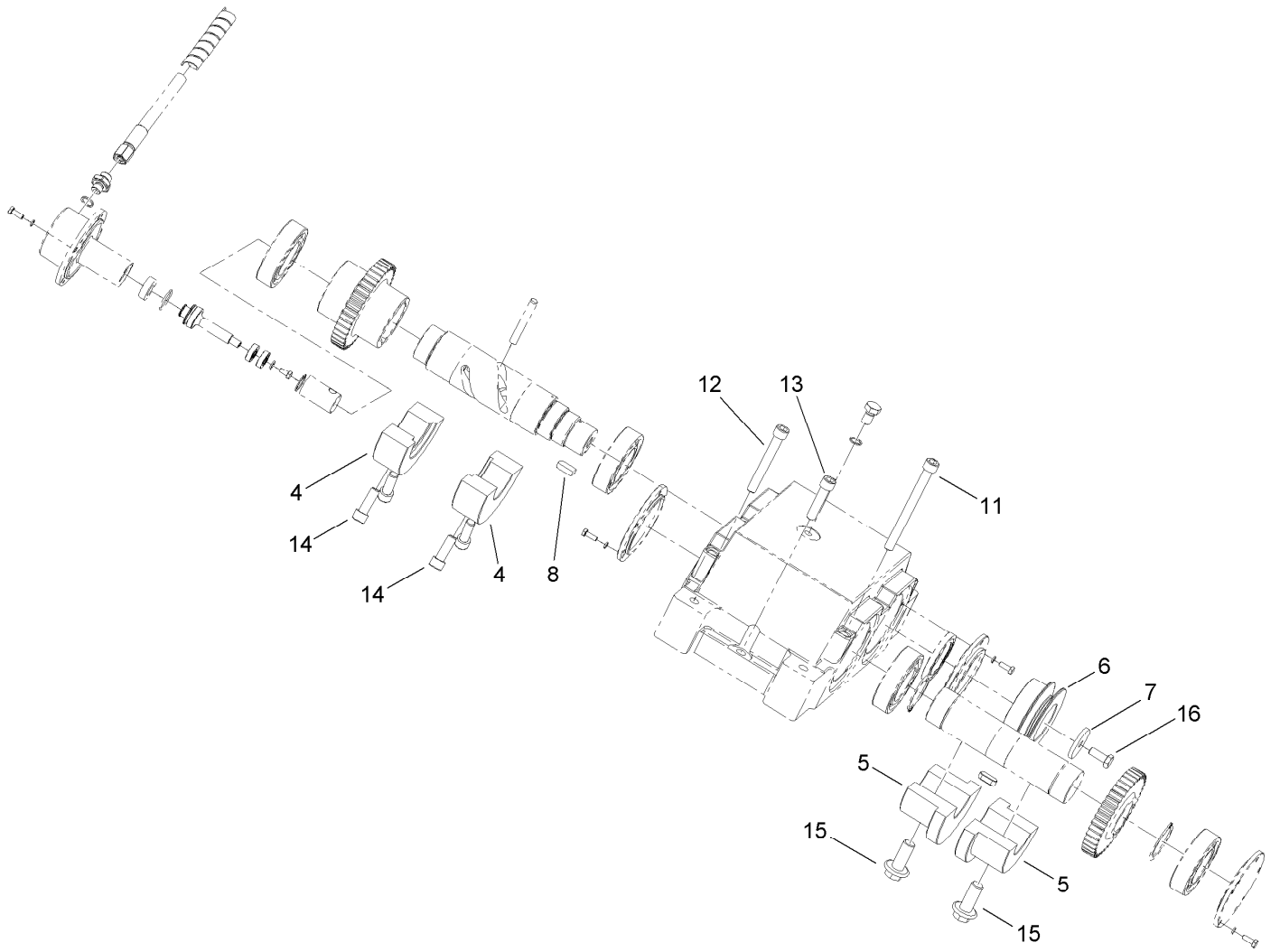
Bed Plate Assembly

Ref.	Part Number	Qty.	Description
1	127-5061	1	Vibratory ASM
2	127-5058	1	Weight Kit
4	127-5237	1	Plate
7	127-5238	1	Cover-Front
8	127-5239	1	Cover-Back
11	127-5240	1	Hose-HYD
12	127-5241	4	Mount-Rubber
13	127-5075	1	Cover-Hose
16	127-5078	1	Plug
18	127-5242	3	Bolt
19	127-5243	4	Bolt
22	127-5244	4	Nut
25	127-5083	8	Washer
26	127-5104	4	Washer
27	127-5087	1	Ring



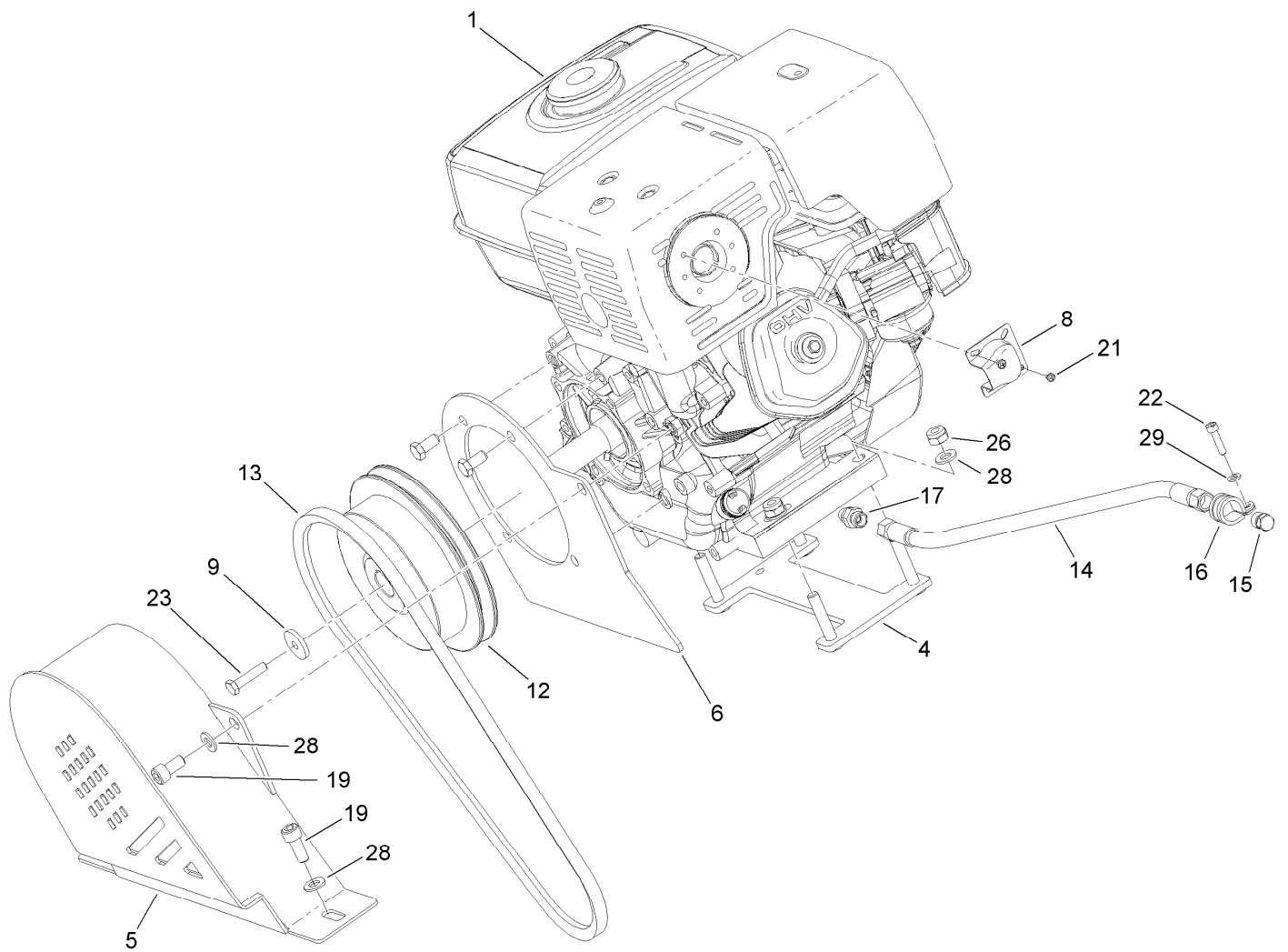
Vibratory Assembly No. 127-5061

<i>Ref.</i>	<i>Part Number</i>	<i>Qty.</i>	<i>Description</i>	<i>Ref.</i>	<i>Part Number</i>	<i>Qty.</i>	<i>Description</i>
1	127-5395	1	Shaft-Hollow	15	127-5408	2	Ring
2	127-5396	1	Shaft	16	127-5409	1	Spacer
3	127-5397	1	Slide-Valve	17	127-5410	1	O-Ring
4	127-5398	1	Piston	18	127-5411	1	Spacer
5	127-5399	2	Cover	19	127-5076	1	Socket
6	127-5400	1	Cover	20	127-5412	1	Pin
7	127-5401	1	Cover	21	127-5413	1	Gasket
8	127-5402	1	Gear	22	127-5414	20	Bolt
9	127-5403	1	Gear	23	127-5415	20	Washer
10	127-5404	4	Bearing	24	127-5416	1	Ring-Sealing
11	127-5405	2	Bearing	25	127-5417	1	Bolt
12	127-5242	1	Bolt	26	127-5418	1	Ring-Sealing
13	127-5406	1	Washer	27	127-5419	1	Housing
14	127-5407	1	Ring				



Weight Kit Assembly No. 127-5058

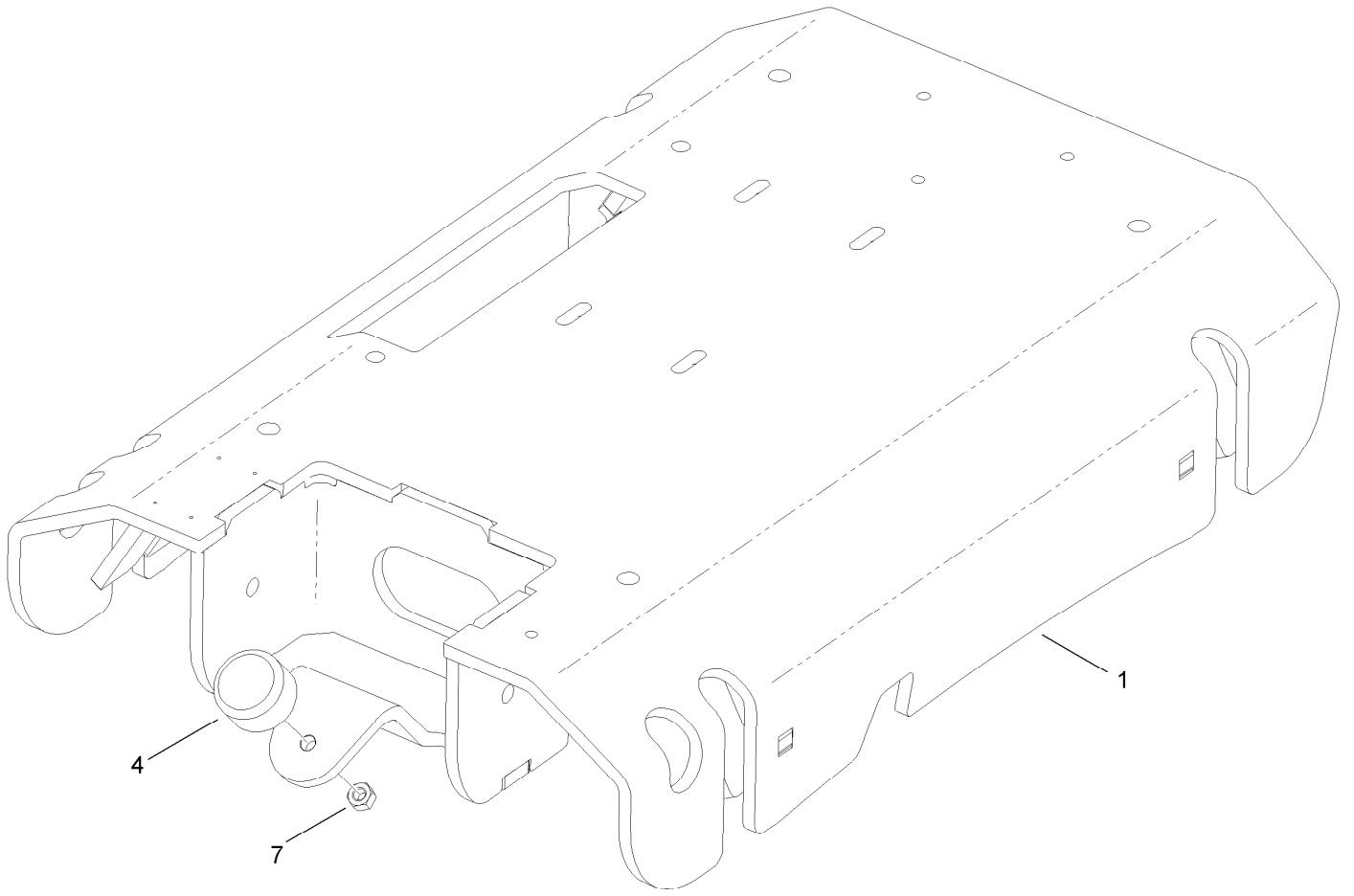
<i>Ref.</i>	<i>Part Number</i>	<i>Qty.</i>	<i>Description</i>
4	127-5386	2	Weight I
5	127-5387	2	Weight II
6	127-5388	1	Pulley
7	127-5389	1	Washer
8	127-5390	1	Adapter
11	127-5391	6	Bolt
12	127-5392	4	Bolt
13	127-5393	2	Bolt
14	127-5359	4	Bolt
15	127-5394	2	Bolt
16	33115-020	1	Screw-HH



Engine Assembly

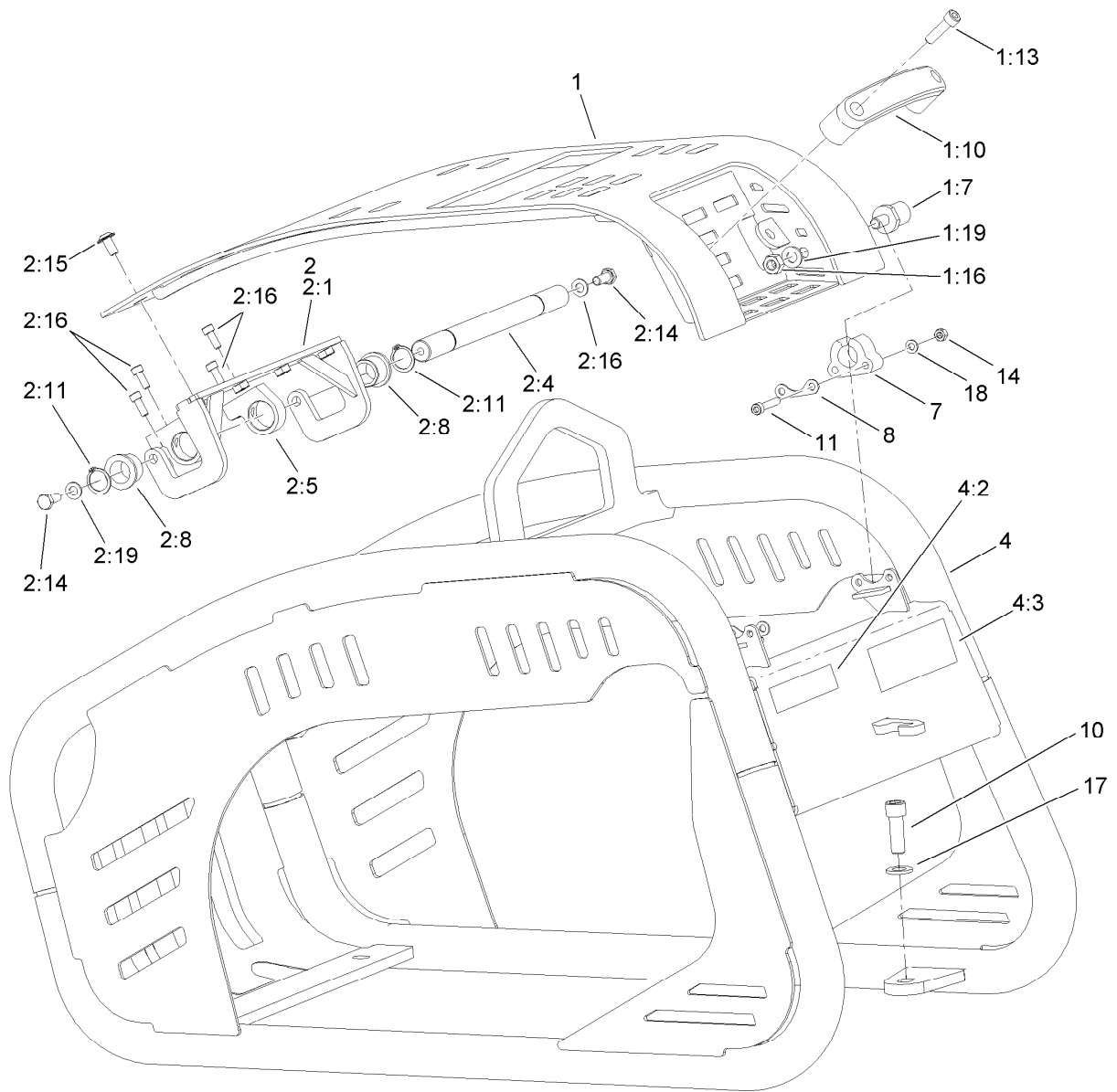
Ref.	Part Number	Qty.	Description	Ref.	Part Number	Qty.	Description
1	127-5245	1	Engine-Honda	15	127-5094	1	Plug-Oil
4	127-5246	1	Control-Engine	16	127-5095	1	Clip-Hose
5	127-5247	1	Cover-Pulley	17	127-5353	1	Socket-Straight
6	127-5248	1	Holder-Cover	19	127-5180	3	Bolt
8	127-5096	1	Deflector-Exhaust	21	127-5102	2	Bolt
9	127-5097	1	Washer	22	127-5354	1	Bolt
10	127-5249	1	Bar-Distance ●	23	127-5099	1	Bolt
12	127-5350	1	Coupling	26	127-5355	4	Nut
13	127-5351	1	V-Belt	28	127-5084	7	Washer
14	127-5352	1	Hose	29	127-5105	1	Washer

● Not illustrated



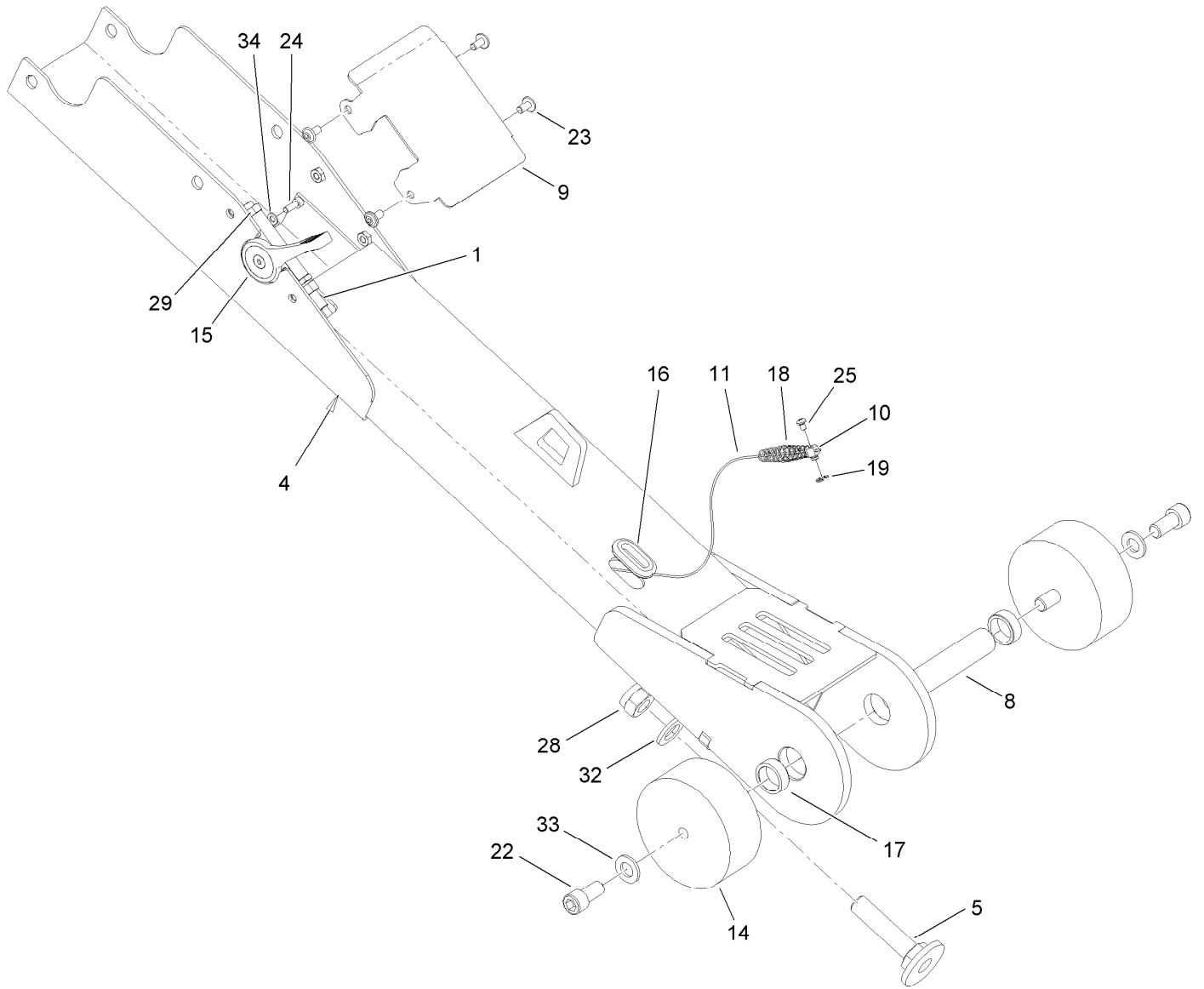
Engine Plate Assembly

<i>Ref.</i>	<i>Part Number</i>	<i>Qty.</i>	<i>Description</i>
1	127-5356	1	Plate-Engine
4	127-5107	1	Bumper-Rubber
7	33025-00	1	Nut-Lock, NI



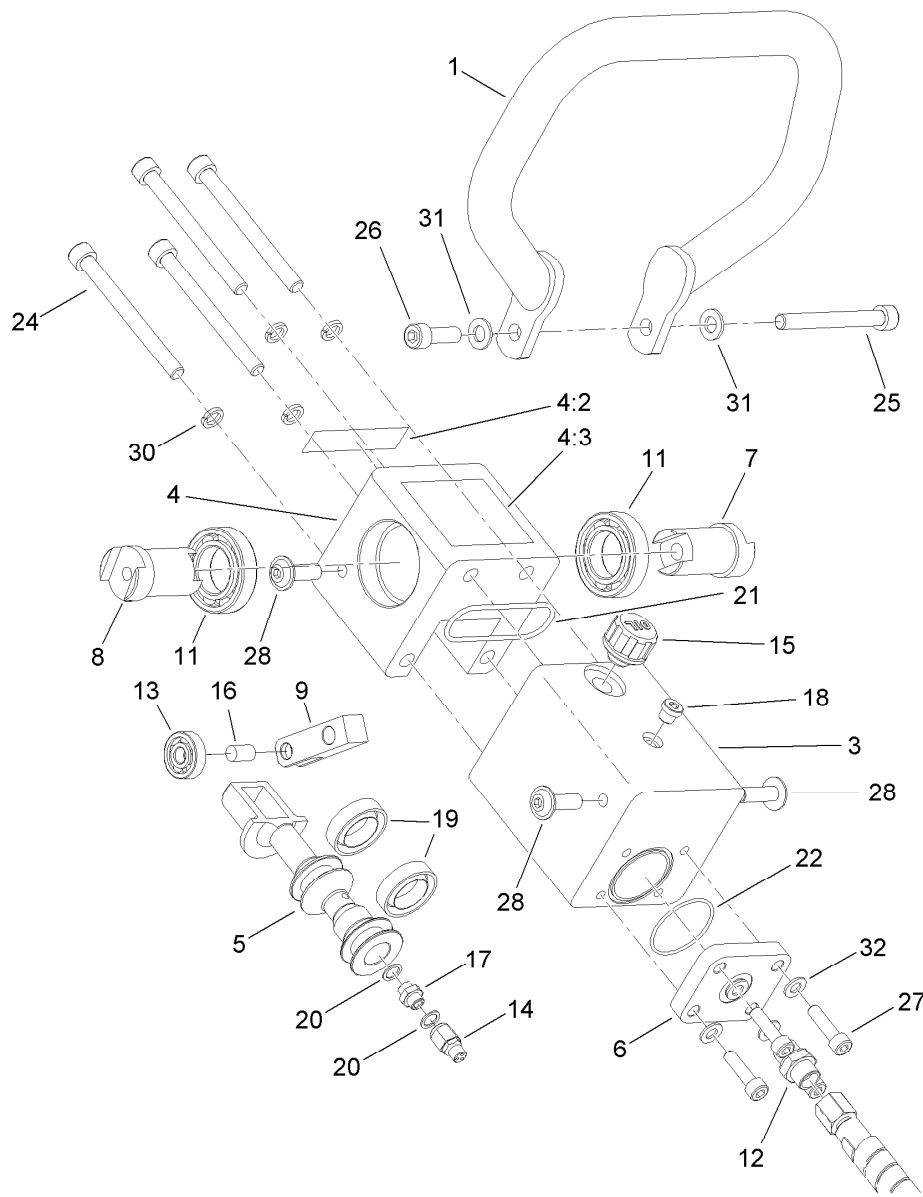
Frame and Cover Assembly

<i>Ref.</i>	<i>Part Number</i>	<i>Qty.</i>	<i>Description</i>	<i>Ref.</i>	<i>Part Number</i>	<i>Qty.</i>	<i>Description</i>
1	127-5062	1	Top Cover ASM	2:15	127-5149	4	Bolt
1:7	127-5421	2	Pin-Handle	2:16	127-5428	4	Bolt
1:10	127-5422	1	Handle	2:19	127-5104	2	Washer
1:13	127-5148	2	Bolt	4	127-5059	1	Frame ASM
1:16	33025-00	2	Nut-Lock, NI	4:2	117-2718	1	Decal-Arrester, Spark
1:19	127-5084	2	Washer	4:3	125-4943	1	Decal-Warning, Plate
2	127-5063	1	Cover ASM	7	127-5357	2	Securing-Cover
2:1	127-5423	1	Front	8	127-5358	2	Washer-Securing
2:4	127-5424	1	Shaft	10	127-5359	4	Bolt
2:5	127-5425	2	Eye	11	127-5081	4	Bolt
2:8	127-5426	2	Bushing	14	127-5360	4	Nut
2:11	127-5427	2	Ring-Sealing	17	127-5083	4	Washer
2:14	127-5184	2	Bolt	18	127-5105	8	Washer



Control Arm Assembly

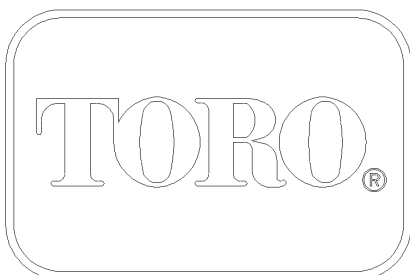
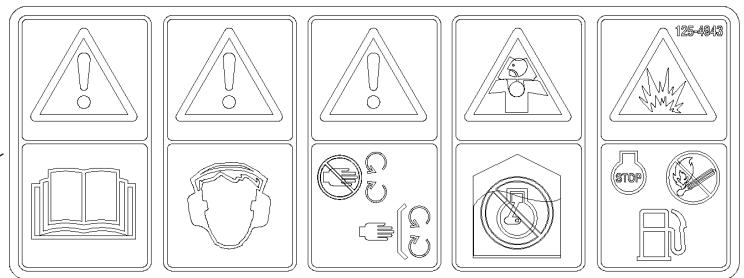
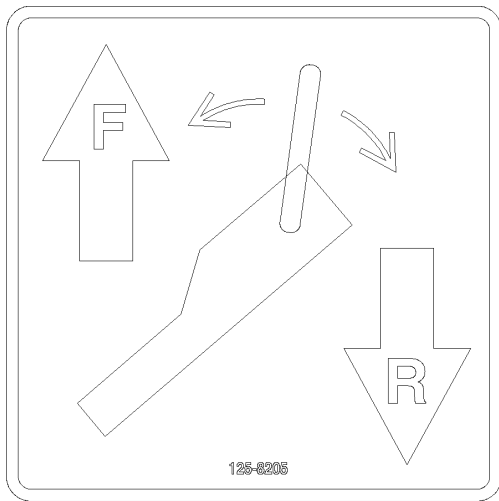
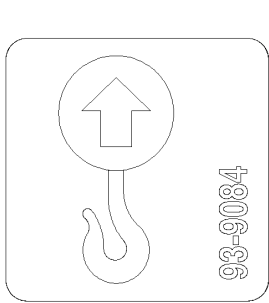
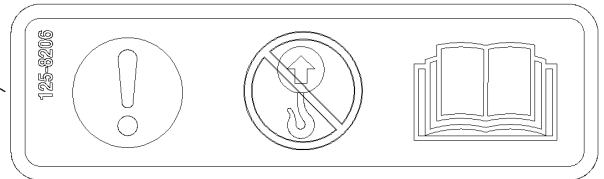
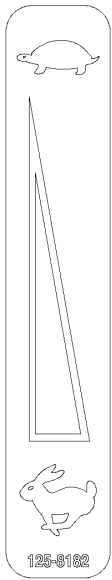
<i>Ref.</i>	<i>Part Number</i>	<i>Qty.</i>	<i>Description</i>	<i>Ref.</i>	<i>Part Number</i>	<i>Qty.</i>	<i>Description</i>
1	127-5110	1	Guide-Cable	18	127-5126	1	Spring
4	127-5361	1	Arm	19	127-5127	1	Bar-Ring
5	127-5112	1	Screw-Stop	22	127-5367	2	Bolt
8	127-5362	1	Pin-Arm	23	127-5119	4	Bolt
9	127-5363	1	Plate	24	127-5120	2	Bolt
10	127-5125	1	Nut-Wire	25	127-5102	1	Bolt
11	127-5117	1	Cable-Throttle	28	127-5121	1	Nut
14	127-5364	2	Mount-Rubber	29	127-5122	1	Nut
15	127-5365	1	Lever	32	127-5123	1	Washer
16	127-5118	1	Grommet	33	127-5084	2	Washer
17	127-5366	2	Bushing	34	127-5124	2	Washer



Control and Handle Assembly

<i>Ref.</i>	<i>Part Number</i>	<i>Qty.</i>	<i>Description</i>	<i>Ref.</i>	<i>Part Number</i>	<i>Qty.</i>	<i>Description</i>
1	127-5368	1	Handle	16	127-5140	1	Pin
3	127-5369	1	Body-Manifold (I)	17	127-5376	1	Coupling
4	127-5060	1	Manifold ASM	18	127-5141	1	Plug
4:2	125-8206	1	Decal-Caution	19	127-5377	2	Packing
4:3	125-8205	1	Decal-Operation	20	127-5086	2	Ring
5	127-5370	1	Piston	21	127-5378	1	O-Ring
6	127-5371	1	Plate-Sealing	22	127-5379	1	O-Ring
7	127-5372	1	Pivot I	24	127-5380	2	Bolt
8	127-5373	1	Pivot II	25	127-5381	1	Bolt
9	127-5374	1	Lever	26	127-5109	1	Bolt
11	127-5135	2	Bearing	27	127-5382	4	Bolt
12	127-5136	1	Socket	28	127-5383	4	Bolt
13	127-5137	1	Bearing	30	127-5151	2	Washer
14	127-5375	1	Valve-Direct	31	127-5084	2	Washer
15	127-5139	1	Plug	32	127-5104	4	Washer

Decals



CALIFORNIA SPARK ARRESTER WARNING
 Operation of this equipment may create sparks that can start fires around dry vegetation. A spark arrester may be required. The operator should contact local fire agencies for laws or regulations relating to fire prevention requirements. 117-2718

Decals (continued)

<i>Ref.</i>	<i>Part Number</i>	<i>Qty.</i>	<i>Description</i>	<i>Ref.</i>	<i>Part Number</i>	<i>Qty.</i>	<i>Description</i>
2	93-9084	1	Decal-Point, Lift	7	125-8182	1	Decal-Throttle
3	125-4943	1	Decal-Warning, Plate	8	117-2718	1	Decal-Arrester, Spark
4	125-8205	1	Decal-Operation	9	125-8207	1	Decal-Engine Oil
5	125-8206	1	Decal-Caution	10	70-2200	2	Decal
6	125-8199	2	Decal-Rp-1200	11	104-3989	1	Decal

Notes:

Notes:



Count on it.