



Count on it.

Parts Catalog

**FP-2200 Forward Plate
Compactor**

Model No. 68025—Serial No. 313000001 and Up



Ordering Replacement Parts

To order replacement parts, please supply the part number, the quantity, and the description of each part desired.

Understanding Reference Numbers

Each identified part in an illustration has a reference number. The reference number for a part also appears in the parts list, along with other information about the part.

This catalog uses two special reference number formats, one to indicate parts in a service assembly and another to indicate the quantity of a given part in an illustration.

Service Assembly Reference Numbers

Parts in service assemblies have reference numbers in the form a:b. The a represents the reference number of the entire service assembly and the b represents a sequential number unique to each part within the service assembly.

For example, a wheel assembly might be identified by reference number 6, the tire by 6:1, the valve by 6:2, and the wheel by 6:3. When you order the assembly identified by reference number 6, you receive all parts identified by reference numbers 6:1, 6:2, and 6:3. However, you may also order any part individually. Reference numbers of this type appear in illustration and in parts lists.

Reference Numbers Indicating Quantity

In an illustration, if a reference number indicates more than one part, the reference number has the form nX y. The n represents the quantity of the part, the X is the multiplication symbol, and the y represents the reference number.

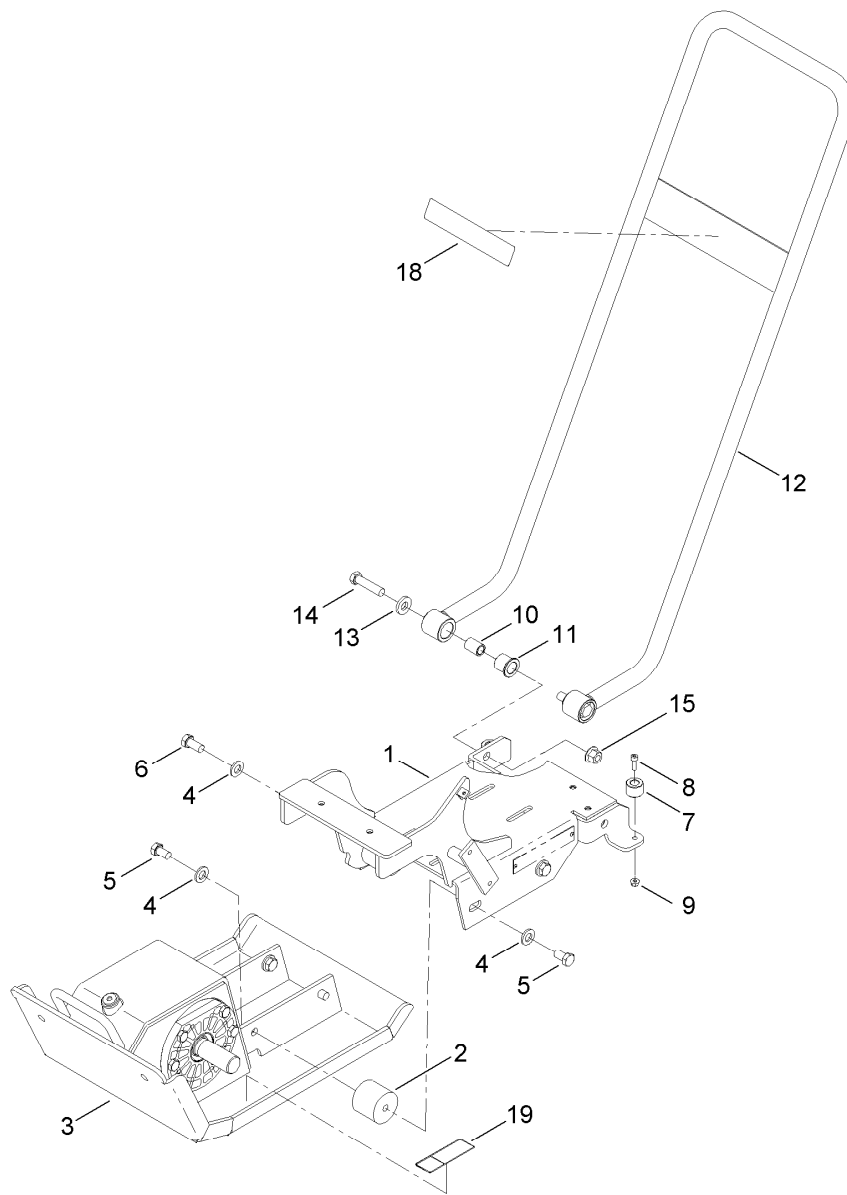
For example, in an illustration, the reference number 2X 37 means that two of the parts identified by reference number 37 are indicated.

List of Abbreviations

AR: as required	HLH: hex lag head	PTO: power-take-off
ASM: assembly	HOC: height-of-cut	RH: right hand
BBC: blade brake control	HSBH: hex socket button head	ROPS: roll-over protection system
BHTF: button head thread forming	HSFH: hex socket flat head	RRB: rear roller brush
CARR: carriage	HSH: hex socket head	SFH: slotted fillister head
CCW: counter clockwise	HWH: hex washer head	SHH: slotted hex head
CW: clockwise	HWHTF: hex washer head thread forming	SHWH: slotted hex washer head
DEG: degrees	HYD: hydraulic	SPH: slotted pan head
DPA: Dual Point Adjustment	LH: left hand	SQH: square head
ECM: electronic control module	LP: Liquefied Petroleum Gas	SRH: slotted round head
EXT: external	LPG: Liquefied Petroleum Gas	STD: standard
FH: flat head	NI: nylon insert	TAP: self tapping
GA: gauge	NPTF: national pipe thread fine	TTH: torx truss head
HD: heavy-duty	PFH: phillips flat head	
HF: hex flange	PPH: phillips pan head	
HH: hex head	PPHTF: phillips pan head thread forming	
HHF: hex head flange	PRH: phillips round head	
HHFTF: hex head flange thread forming	PTH: phillips truss head	
HJ: hex jam		

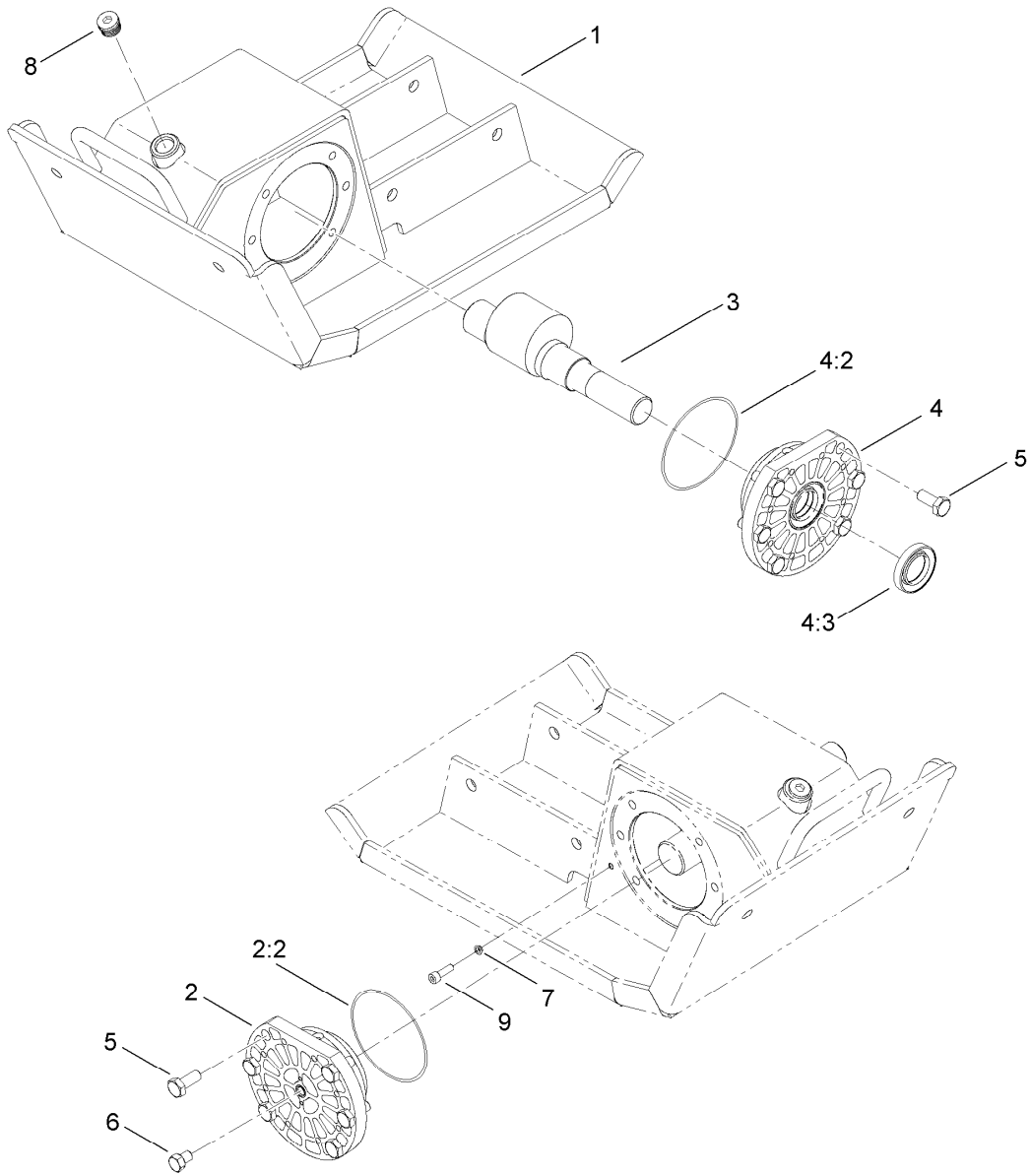
Contents

Handle and Base Assembly	4
Base Assembly No. 125-6229	5
Engine Assembly	6
Roll Cage and Water Tank Assembly	7



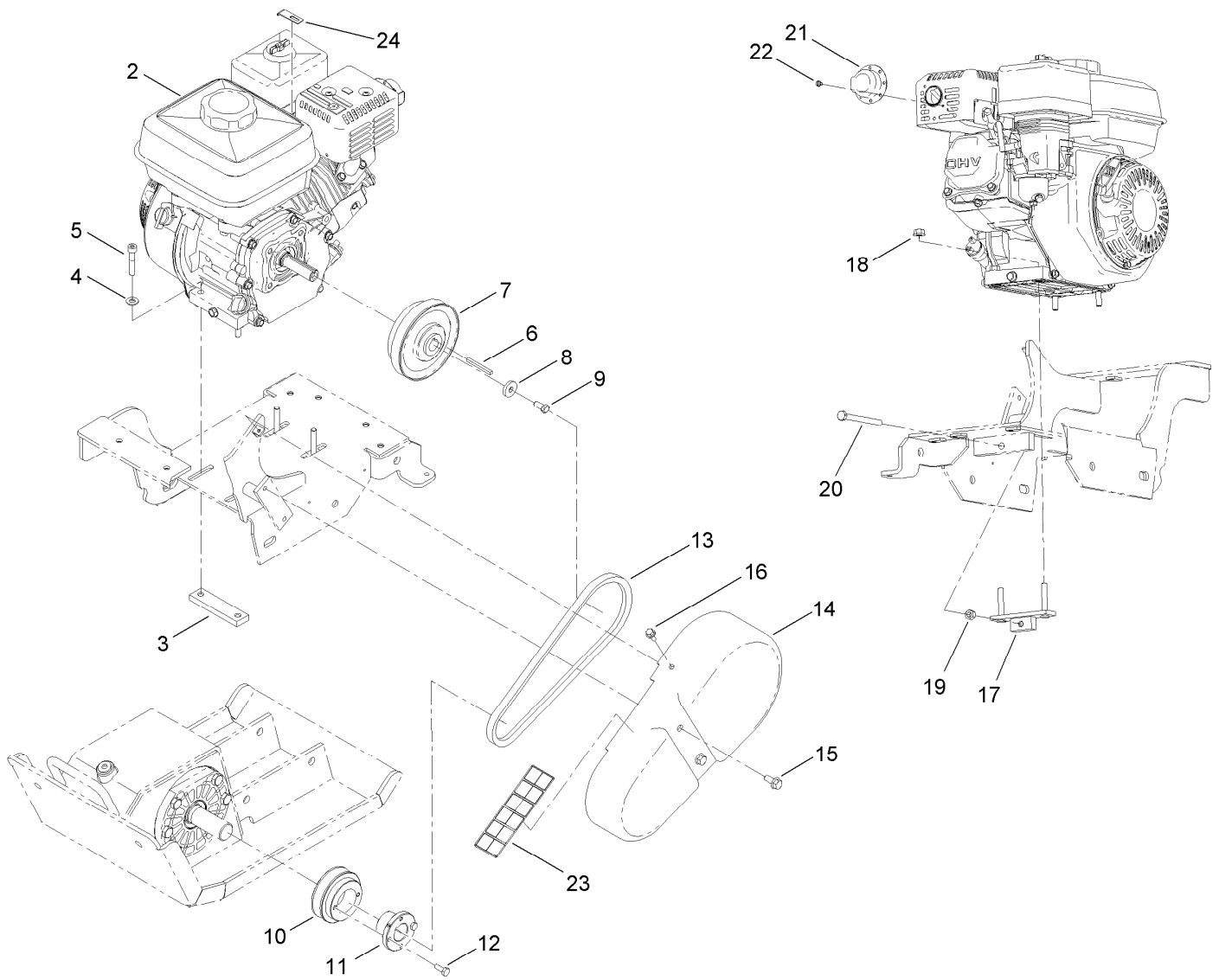
Handle and Base Assembly

<i>Ref.</i>	<i>Part Number</i>	<i>Qty.</i>	<i>Description</i>	<i>Ref.</i>	<i>Part Number</i>	<i>Qty.</i>	<i>Description</i>
1	125-6231-03	1	Deck-Engine	10	ST50510	2	Spacer-Handle, Pivot
2	ST65080	4	Mount-Shock	11	ST50509	2	Bushing-Handle, Main Plate
3	125-6229	1	Base ASM	12	ST50478-03	1	Handle-Main
4	33096-00	8	Washer-Flat	13	ST80891	2	Washer-Flat
5	33116-020	6	Screw-HH	14	33116-060	2	Screw-HH
6	33116-025	2	Screw-HH	15	115-1115	2	Nut-HHF, Lock
7	ST50265	2	Spacer-Stop, Handle	18	125-4928	1	Decal
8	ST81213	2	Screw-HSH	19	117-4979	1	Decal-Warning, Shields
9	33003-00	2	Nut-HF				



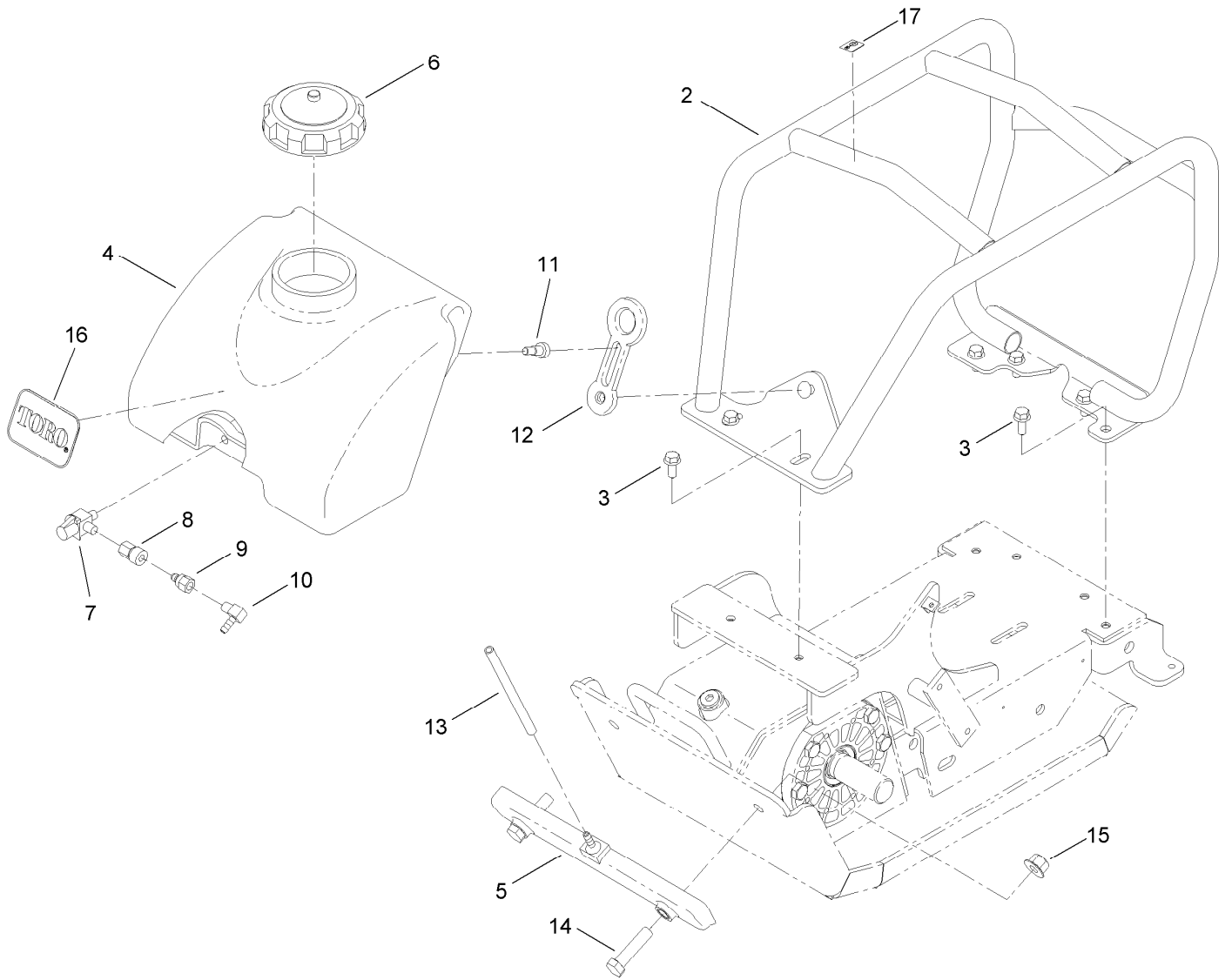
Base Assembly No. 125-6229

<i>Ref.</i>	<i>Part Number</i>	<i>Qty.</i>	<i>Description</i>
1	ST50469-03	1	Base
2	ST22061	1	Plate Cap Bearing ASM (Blind End)
2:2	ST32033	1	O-Ring
3	ST43950	1	Shaft-Eccentric
4	ST22060	1	Plate Cap Bearing ASM (Sheave End)
4:2	ST32033	1	O-Ring
4:3	ST32047	2	Seal-Shaft
5	43-0090	12	Screw-HH
6	ST80185	1	Screw-HH
7	ST81210	1	Washer-Sealing, Nyltite
8	ST47647	1	Fitting-HYD
9	ST81213	1	Screw-HSH



Engine Assembly

Ref.	Part Number	Qty.	Description	Ref.	Part Number	Qty.	Description
2	125-4821	1	Engine-Honda, Gx120	14	125-4802	1	Guard-Belt
3	ST50506	1	Plate-Nut, Engine	15	33104-020	2	Screw-HHF
4	33094-00	2	Washer-Plain	16	33103-016	1	Screw-HHF
5	127-0517	2	Screw-HSH	17	ST50257	1	Bracket-Adjuster, Engine
6	105-9716	1	Key-Square	18	33004-00	2	Nut-HF
7	ST32347	1	Clutch, S-Plate	19	33014-00	1	Nut-Hex
8	ST39233	1	Washer	20	ST81191	1	Screw
9	3235-6	1	Screw-HH	21	125-3866	1	Deflector-Honda
10	ST32797	1	Sheave	22	120-1884	2	Screw-PPHTF
11	ST32798	1	Bushing	23	125-4943	1	Decal-Warning, Plate
12	3274-69	2	Screw-HSBH	24	ST43978	1	Clip-Throttle
13	ST39307	1	Belt-V				



Roll Cage and Water Tank Assembly

<i>Ref.</i>	<i>Part Number</i>	<i>Qty.</i>	<i>Description</i>	<i>Ref.</i>	<i>Part Number</i>	<i>Qty.</i>	<i>Description</i>
2	ST50215-03	1	Cage-Roll	10	ST34486	1	Fitting-HYD, 90 DEG
3	33104-020	6	Screw-HHF	11	ST81130	1	Screw-HSBH
4	125-4811	1	Tank-Water	12	ST47182	1	Latch-Rubber
5	125-8174	1	Sprinkler	13	125-8733	1	Hose-Water
6	ST47241	1	Cap-Plastic	14	33116-060	2	Screw-HH
7	ST50497	1	Valve-Ball	15	115-1115	2	Nut-HHF, Lock
8	ST50498	1	Fitting-Quick, Female	16	70-2200	1	Decal
9	ST50499	1	Fitting-Quick, Female, Nipple	17	93-9084	1	Decal-Point, Lift



Count on it.