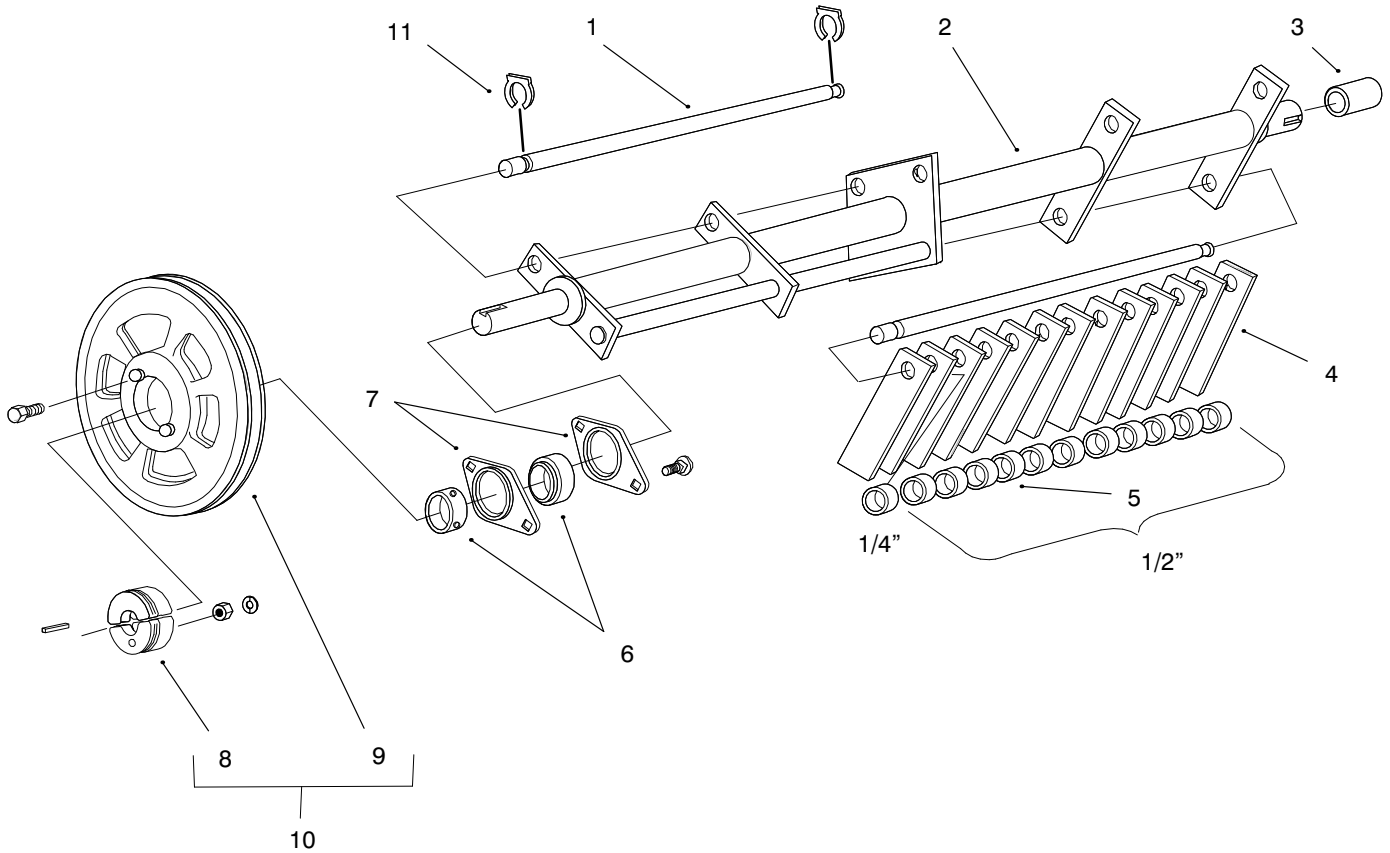




MODEL NO. 62061-790001 & UP MODEL NO. 62062-790001 & UP	<b>PARTS CATALOG</b>
<b>DETHATCHER - 8hp</b> <b>DETHATCHER - 5hp</b>	



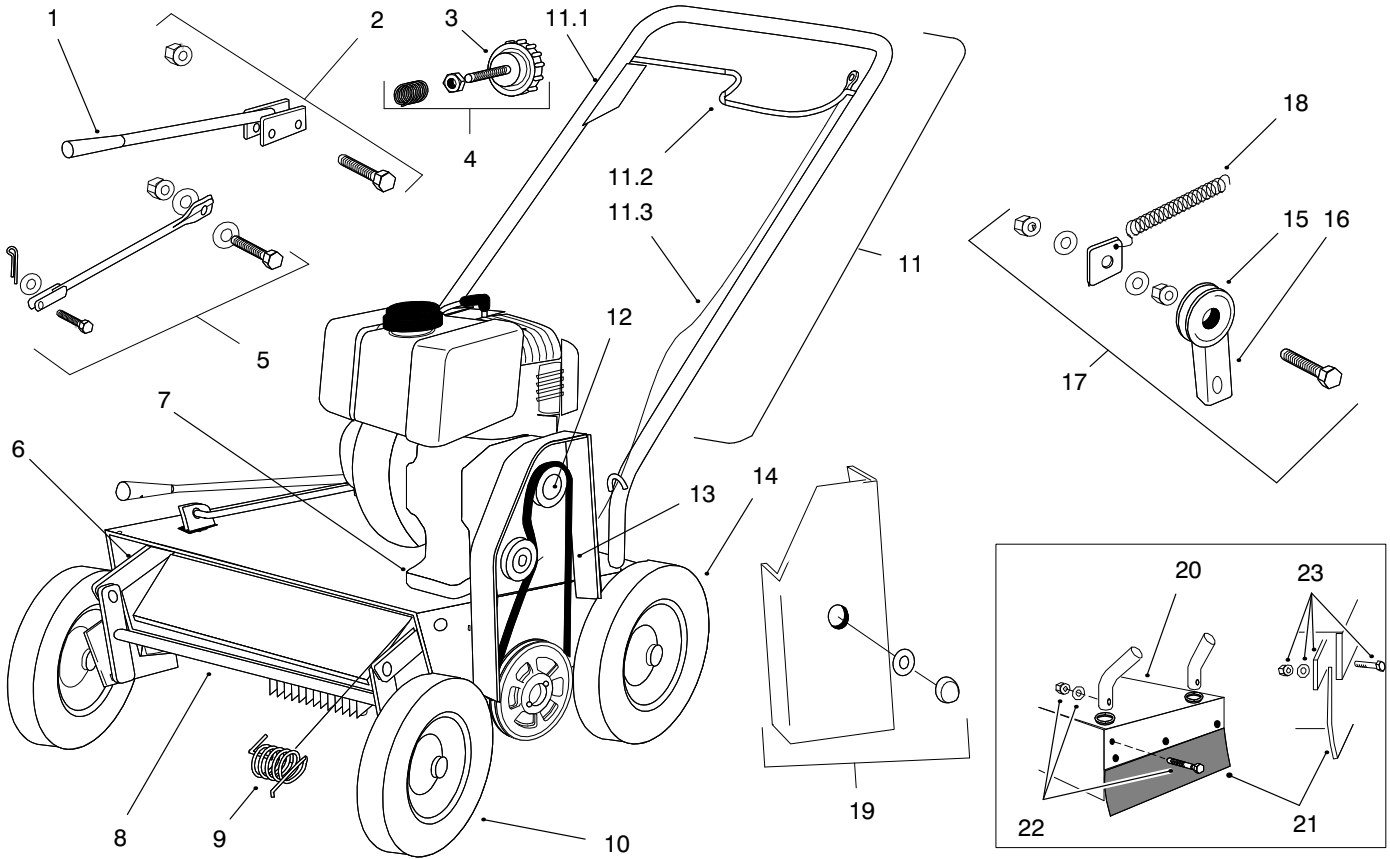
C-2695

## FLAIL ASSEMBLY

Ref. No.	Part No.	Description	No. Used
1	T5002	Shaft Kit (Incl. Ref. # 11)	1
2	T5170	Rotor - Flail without Blades And Shafts	1
*	T5175	Rotor Asm. Complete without Bearings	1
*	T5180	Rotor Asm. Complete with Bearings	1
3	T5005	Cap	1
4	T5001	Blade Set - Flail	1
*	T5003	Blade and Shaft Set	

Ref. No.	Part No.	Description	No. Used
		(Incl. Ref. # 1, 4)	1
5	T5004	Spacer Set	1
6	T0315	Bearing w/Locking Collar	2
7	T5185	Stamping Kit w/Hardware	2
8	T0347	Bushing 3/4" w/Screws	1
9	T0349	V-Pulley without Bushing	1
10	T5169	V-Pulley with Bushing	1
11	T0351	Retaining Clip	8
*	T8518	Decal Kit (Model 62062)	1
*	T8526	Decal Kit (Model 62061)	1

\* Not Illustrated



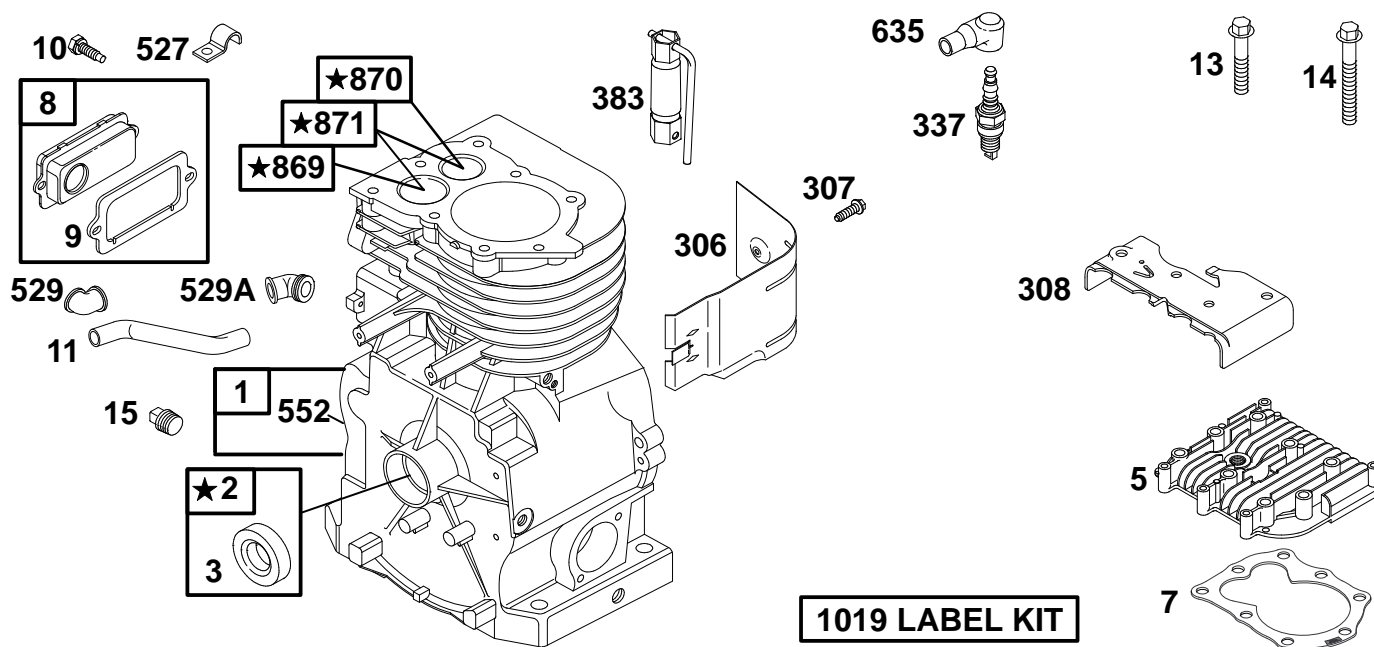
C-2696

## BODY ASSEMBLY

Ref. No.	Part No.	Description	No. Used
1	T0026	Knob	1
2	T5145	Lever Kit w/Hardware	1
3	T5151	Knob w/Screws	1
4	T5150	Height Adjustment Kit	1
5	T5155	Push Rod w/Hardware	1
6	T5190	Torque Arm Asm.	1
	T5168	Trunnion Rod Kit	1
7	T5193	Plate - Engine Bolt	2
*	T5198	Bolt Kit - Engine	1
8	T5135	Axle - Front Wheel	1
*	T5164	Pin Kit - Front Axle	1
9	T5154	Spring - Torsion	1
10	T5051	Wheel Asm. w/Ball Bearing	2
*	T5052	Bolt Kit - Front Wheel Asm.	2
11	T5163	Handle Asm. (Incl. Ref. #11.1, 11.2, 11.3)	1
11.1	T5165	Handle	1
11.2	T5171	Clutch - Handle	1

Ref. No.	Part No.	Description	No. Used
11.3	T5089	Clutch Cable w/ Hardware	1
12	T0330	V-Pulley 3/4"	1
*	T0331	V-Pulley 1" (Model 62061)	1
13	T0339	V-Belt B-36"	1
*	T0340	V-Belt B-38"	1
	T5140	Belt Keeper Kit	1
14	T5053	Wheel Asm. w/Ball Bearing	2
*	T5054	Bolt Kit - Rear Wheel	2
15	T5121	Mounting Arm - Idler Pulley	1
16	T0343	Pulley - Idler	1
17	T5027	Pulley Kit-Idler w/Hardware (Incl. Ref. #15, 16, 18)	1
*			
18	T5129	Spring - Clutch Rod	1
19	T5025	Shield Asm. w/Hardware	1
20	T5110	Housing	1
21	T5161	Deflector	1
22	T5167	Bolt Kit - Handle	1
23	T5162	Strap Kit - Deflector	1

\* Not Illustrated



**1019 LABEL KIT**

**1058 OWNER'S MANUAL**

★ REQUIRES SPECIAL TOOLS  
TO INSTALL. SEE REPAIR  
INSTRUCTION MANUAL.

Assemblies include all parts shown in frames.

## ENGINE BRIGGS & STRATTON MODEL 135202-0142-03

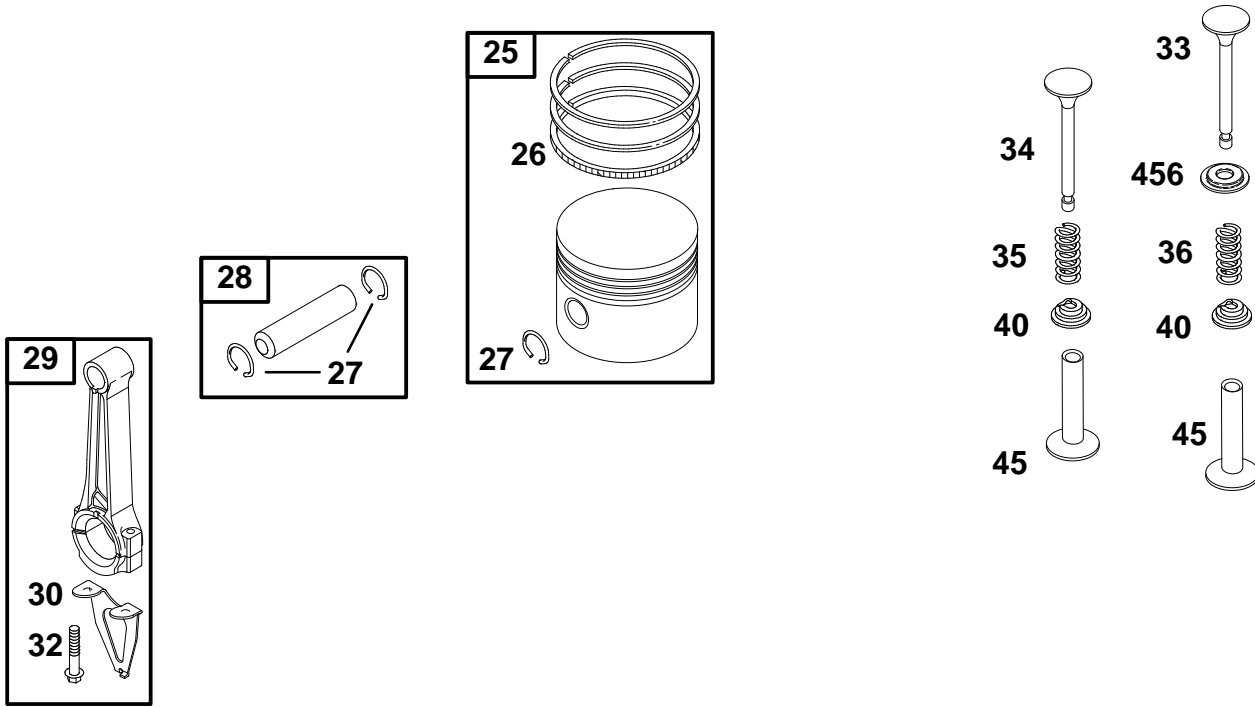
Ref. No.	Part No.	Description	No. Used
1	497144	Cylinder Assembly	1
2	399268	Bushing – Cylinder	1
★3	299819	Seal – Oil	1
5	214040	Head – Cylinder	1
■★7	272157	Gasket – Cylinder Head	1
8	495774	Breather – Valve Chamber	1
■★9	27549	Gasket – Breather	1
10	94621	Screw – Breather Mtg.	1
11	231550	Tube – Breather	1
13	94221	Screw – Cylinder Head (2-3/32" Long)	1
14	94679	Screw – Cylinder Head (2-15/32" Long)	1
15	94916	Plug – Oil Drain	1
306	224820	Shield – Cylinder	1
307	94680	Screw – Hex.	1

Ref. No.	Part No.	Description	No. Used
308	224738	Cover – Cylinder	1
337	802592	Plug – Spark	1
383	89838	Wrench – Spark Plug	1
527	223786	Clamp – Tube	1
529	67838	Grommet	1
529A	66578	Grommet	1
552	231079	Bushing – Gov. Crank	1
635	66538	Elbow – Spark Plug	1
869	211787	Seat – Intake Valve	1
870	211172	Seat – Exhaust Valve	1
871	262001	Guide – Exhaust Valve	1
		<b>Note:</b> 63709 Guide – Intake Valve	1
1019	491100	Label Kit	1
1058	272646	Owner's Manual	1

Obtain Parts From Briggs & Stratton Dealer

★ Included in Gasket Set – Part No. 495605.

■ Included in Valve Overhaul Gasket Set – Part No. 498694.



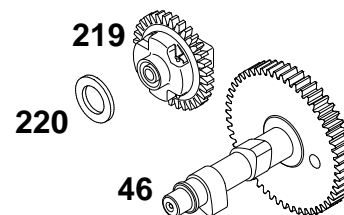
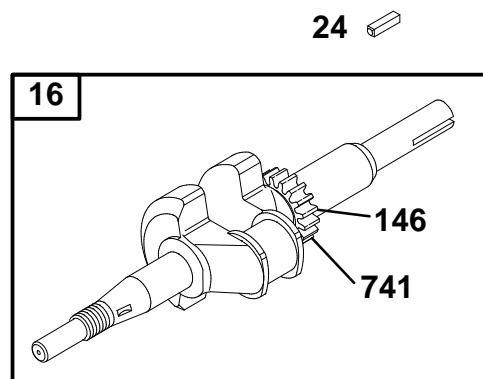
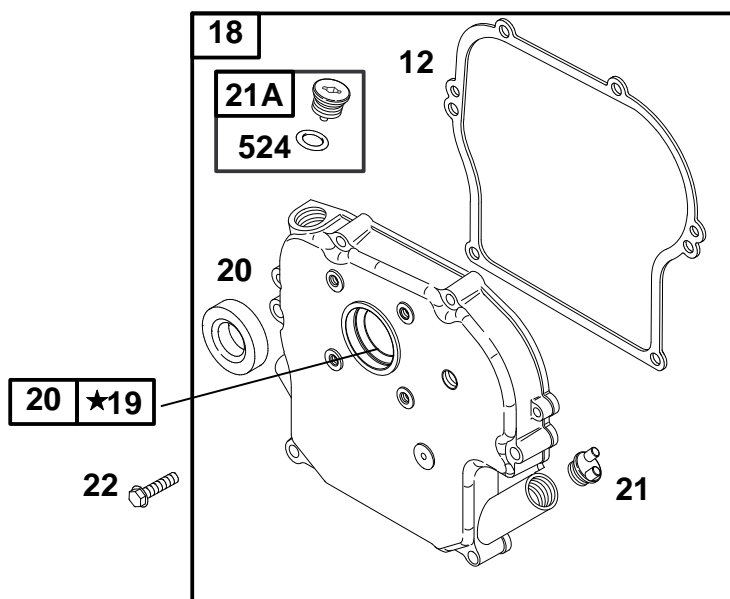
Assemblies include all parts shown in frames.

## ENGINE BRIGGS & STRATTON MODEL 135202-0142-03

Ref. No.	Part No.	Description	No. Used
25	298904	Piston Assy. (Standard)	1
	298905	Piston Assy. (.010" O.S.)	1
	298906	Piston Assy. (.020" O.S.)	1
	298907	Piston Assy. (.030" O.S.)	1
26	298982	Ring Set (Standard)	1
	299742	Ring Set (Std. Chrome)	1
	298983	Ring Set (.010" O.S.)	1
	298984	Ring Set (.020" O.S.)	1
27	26026	Lock - Piston Pin	1
	298909	Pin - Piston (Standard)	1
28	298908	Pin - Piston (.005" O.S.)	1
	299430	Rod - Connecting (Standard)	1

Ref. No.	Part No.	Description	No. Used
	390459	Rod - Connecting (.020" U.S. Crank Pin)	1
30	225183	Dipper - Connecting Rod	1
32	94699	Screw - Connecting Rod	1
33	211119	Valve - Exhaust	1
34	261044	Valve - Intake	1
35	260552	Spring - Valve (Intake)	1
36	26478	Spring - Valve (Exhaust)	1
40	93312	Retainer - Valve Spring	1
45	260642	Tappet - Valve	1
456	225257	Retainer - Valve	1

Obtain Parts From Briggs & Stratton Dealer



★ REQUIRES SPECIAL TOOLS  
TO INSTALL. SEE REPAIR  
INSTRUCTION MANUAL.

Assemblies include all parts shown in frames.

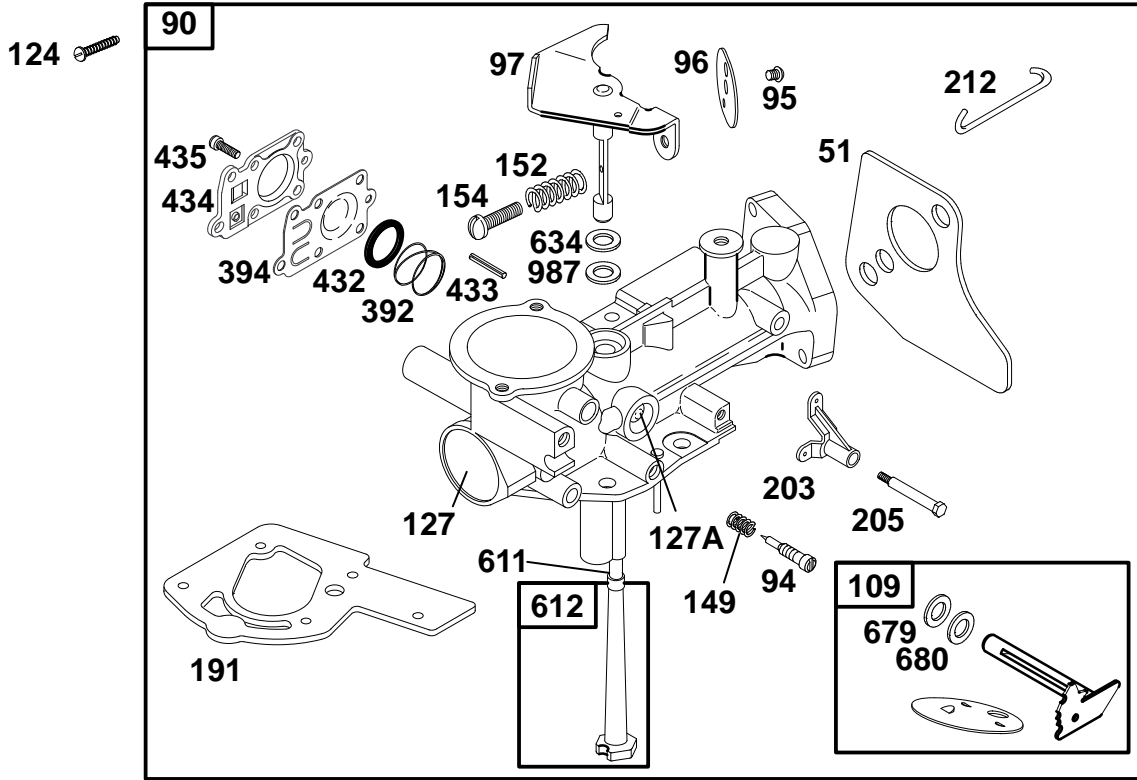
## ENGINE BRIGGS & STRATTON MODEL 135202-0142-03

Ref. No.	Part No.	Description	No. Used
★12	270080	Gasket – Crankcase (.015" Thick, Std.)	1
★	270125	Gasket – Crankcase (.005" Thick)	1
★	270126	Gasket – Crankcase (.009" Thick)	1
16	492088	Crankshaft	1
18	494044	Cover – Crankcase	1
19	495660	Bushing	1
★20	294606	Seal – Oil	1

Ref. No.	Part No.	Description	No. Used
21	281658	Cap – Oil Fill	1
21A	399195	Cap – Oil Fill	1
22	94682	Screw – Hex.	1
24	222698	Key – Flywheel	1
46	212733	Gear – Cam	1
146	94388	Key – Timing	1
219	494845	Gear – Governor	1
220	221551	Washer – Thrust	1
524	271485	Seal – O-Ring	1
741	262992	Gear – Timing	1

Obtain Parts From Briggs & Stratton Dealer

★ Included in Gasket Set—Part No. 495603.



Assemblies include all parts shown in frames.

T-0323

## ENGINE BRIGGS & STRATTON MODEL 135202-0142-03

Ref. No.	Part No.	Description	No. Used
●★51	273113	Gasket – Intake	1
90	495426	Carburetor	1
●94	231533	Valve – Idle Adjustment	1
95	93499	Screw – Throttle Valve Mtg.	1
96	223793	Valve – Throttle	1
97	490048	Shaft – Throttle	1
109	497230	Shaft – Choke	1
124	94616	Screw – Carburetor Mtg.	1
127	220352	Plug – Welch	1
127A	223789	Plug – Welch	1
149	26336	Spring – Needle Valve	1
152	260575	Spring – Adjustment	1
154	93527	Screw – Slotted	1
●★191	272489	Gasket – Fuel Tank	1
203	280720	Crank – Bell	1

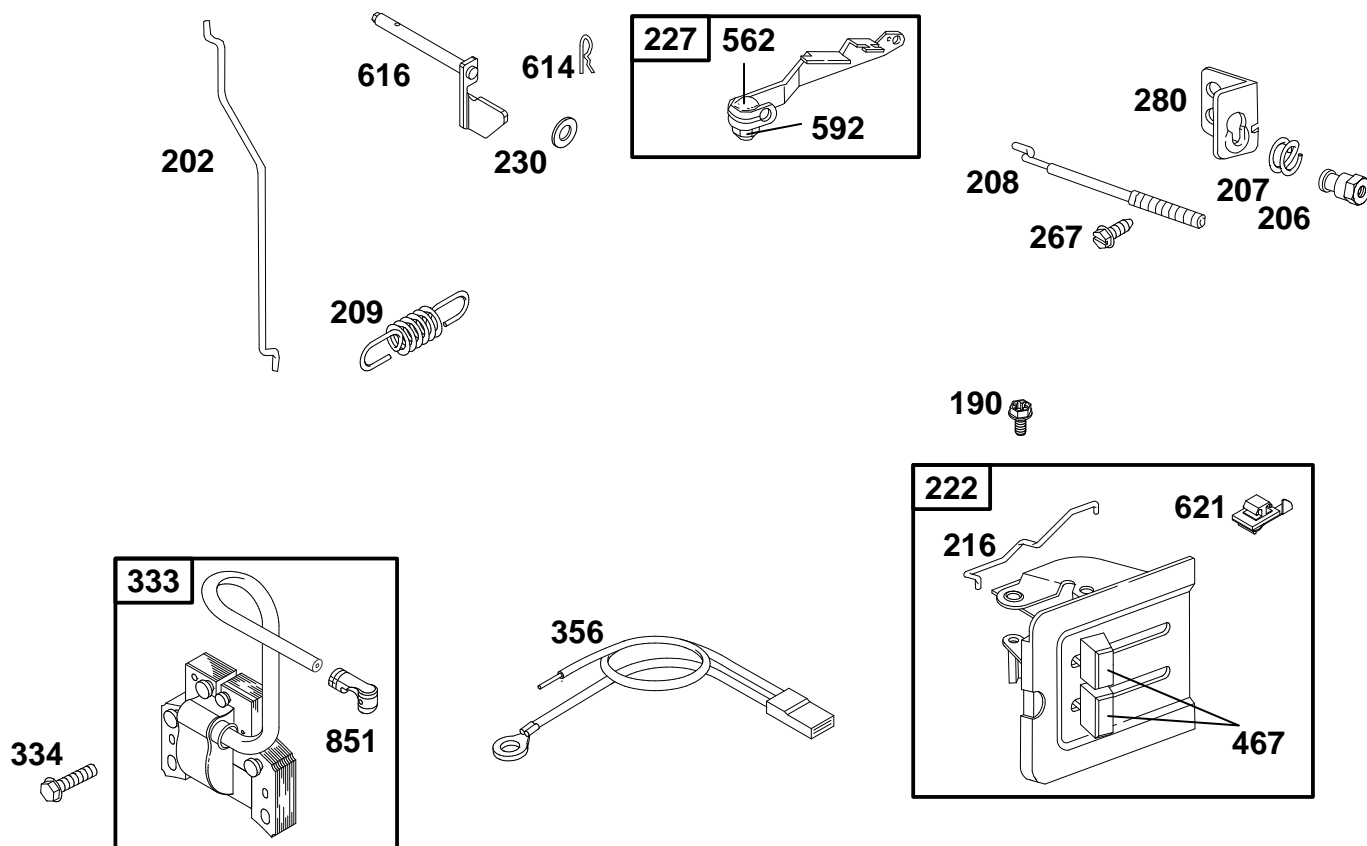
Ref. No.	Part No.	Description	No. Used
205	231520	Screw – Shoulder	1
212	262270	Link – Throttle	1
392	262328	Spring – Pump Diaphragm	1
●394	272538	Diaphragm – Carburetor	1
432	221377	Cap – Spring	1
433	93265	Pin – Roll	1
434	213963	Cover – Diaphragm	1
435	93141	Screw – Slotted	1
611	231068	Pipe – Fuel	1
612	391813	Tube – Pick-Up	1
634	271853	Seal	1
679	270382	Washer – Felt	1
680	221839	Washer	1
987	398970	Seal – Throttle Shaft	1

Obtain Parts From Briggs & Stratton Dealer

■ Included in Valve Overhaul Gasket Set—Part No. 498529.

★ Included in Gasket Set—Part No. 495603.

● Included in Carburetor Kit—Part No. 495606.



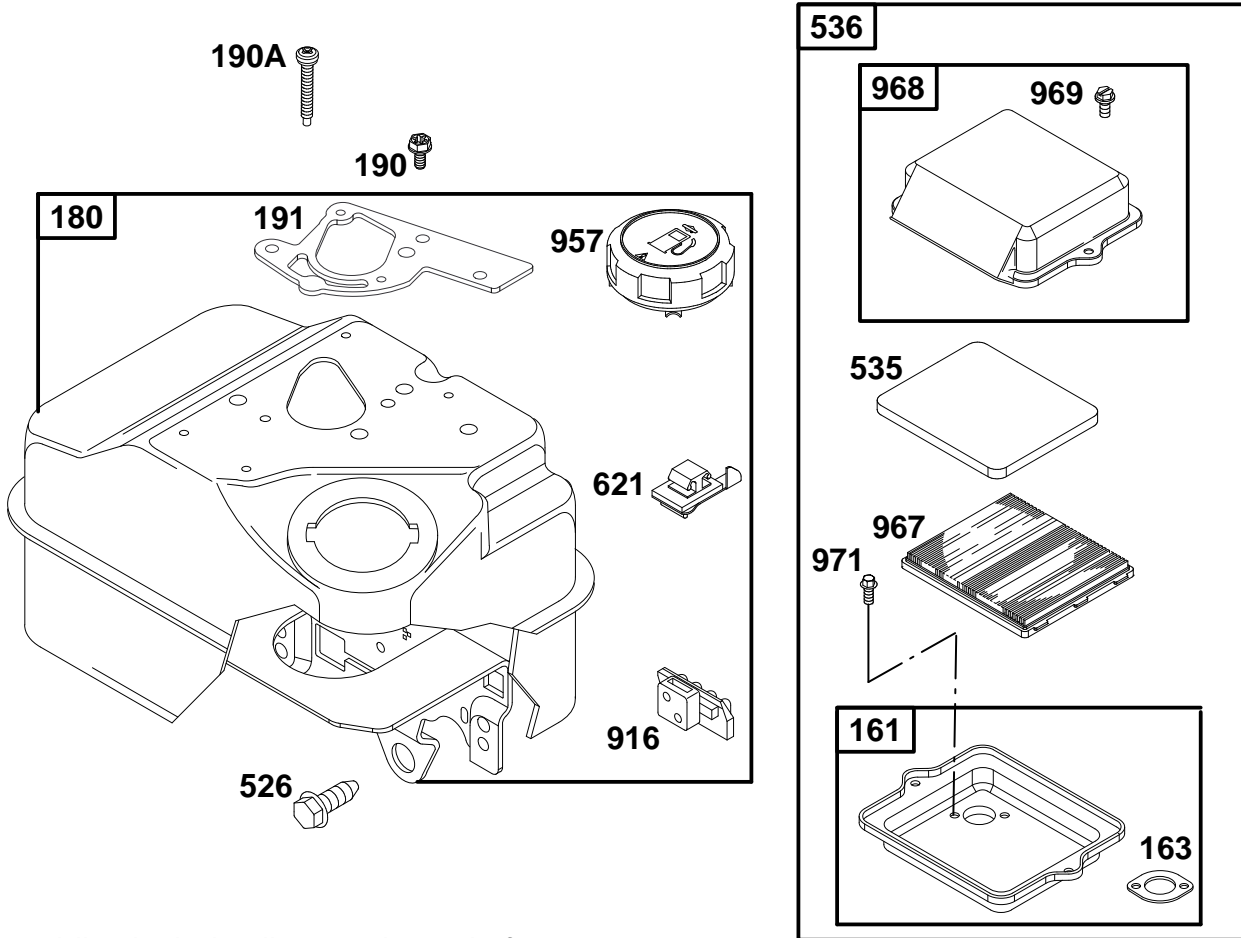
Assemblies include all parts shown in frames.

## ENGINE BRIGGS & STRATTON MODEL 135202-0142-03

Ref. No.	Part No.	Description	No. Used
190	94924	Screw – Torx	1
202	262280	Link – Mech. Governor	1
206	231266	Nut	1
207	26855	Spring – Control Rod	1
208	262323	Rod – Control	1
209	262283	Spring – Governor	1
216	262359	Link – Choke	1
222	490649	Bracket – Control	1
227	490374	Lever – Governor	1
230	94742	Washer – Flat	1
267	94906	Screw – Slotted Hex.	1

Ref. No.	Part No.	Description	No. Used
280	223798	Bracket – Rod	1
333	397358	Armature – Magneto	1
334	93414	Screw – Hex.	1
356	398808	Wire – Stop	1
467	280715	Knob	1
562	94907	Screw – Gov. Lever	1
592	231978	Nut – Hex.	1
614	93306	Pin – Cotter	1
616	495243	Crank – Governor	1
621	396847	Switch – Stop	1
851	493880	Terminal – Cable	1

Obtain Parts From Briggs & Stratton Dealer



Assemblies include all parts shown in frames.

## ENGINE BRIGGS & STRATTON MODEL 135202-0142-03

Ref. No.	Part No.	Description	No. Used
161	492797	Base – Air Cleaner	1
■★163	271935	Gasket – Air Cleaner	1
180	495405	Tank – Fuel	1
190	94924	Screw – Torx	1
190A	94919	Screw – Torx	1
●★191	272489	Gasket – Fuel Tank	1
526	94914	Screw – Hex.	1
535	491435	Filter – Air	1

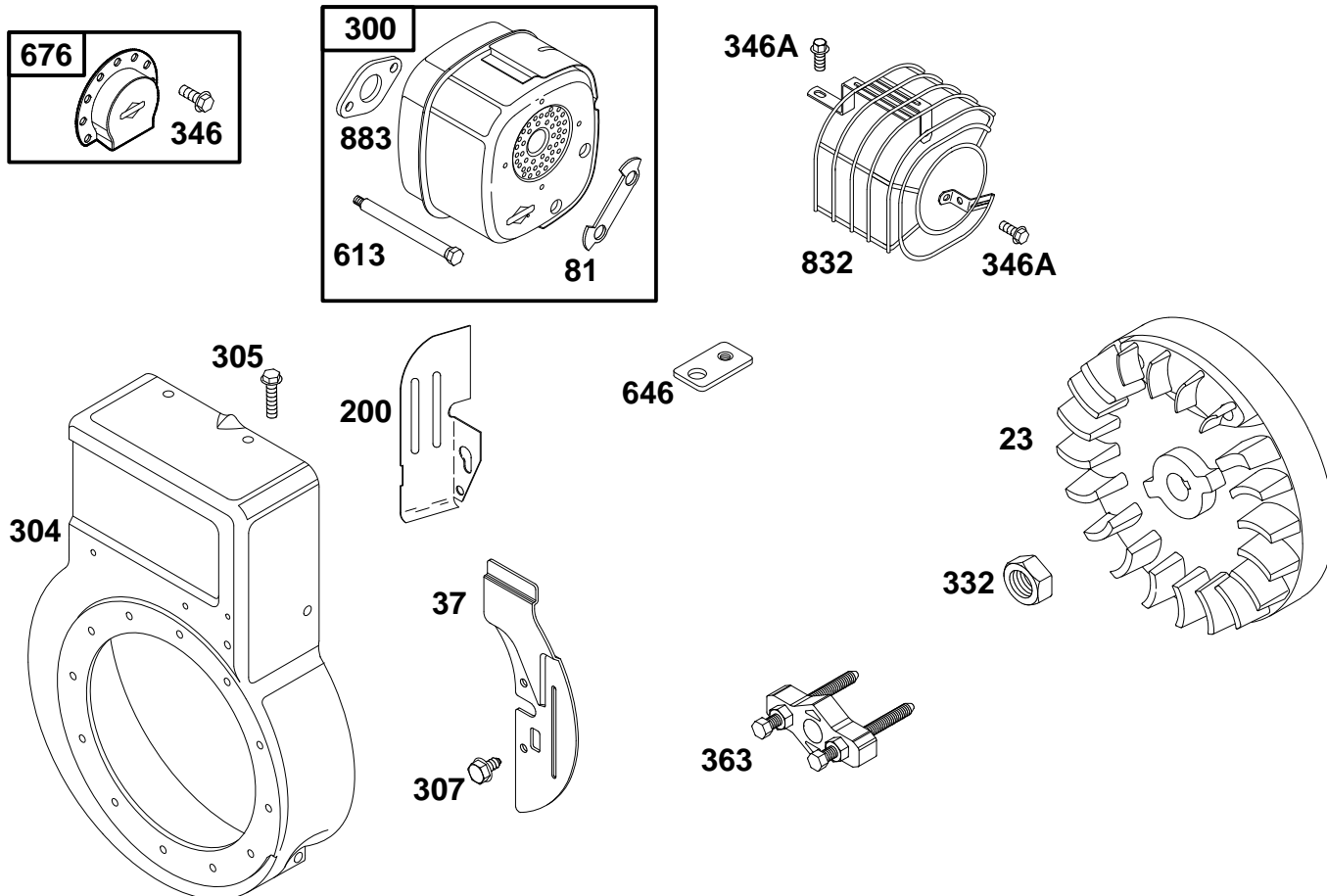
Ref. No.	Part No.	Description	No. Used
536	494279	Cleaner – Air	1
621	396847	Switch – Stop	1
916	280321	Rack – Gov. Gear	1
957	494559	Cap – Fuel Tank	1
967	491588	Filter – Air	1
968	495872	Cover – Air Cleaner	1
969	490073	Screw – Cover Mtg.	1
971	94902	Screw – Air Cleaner	1

**Obtain Parts From Briggs & Stratton Dealer**

● Included in Carburetor Kit – Part No. 495606.

★ Included in Gasket Set – Part No. 495603.

■ Included in Valve Overhaul Gasket Set – Part No. 498529.



Assemblies include all parts shown in frames.

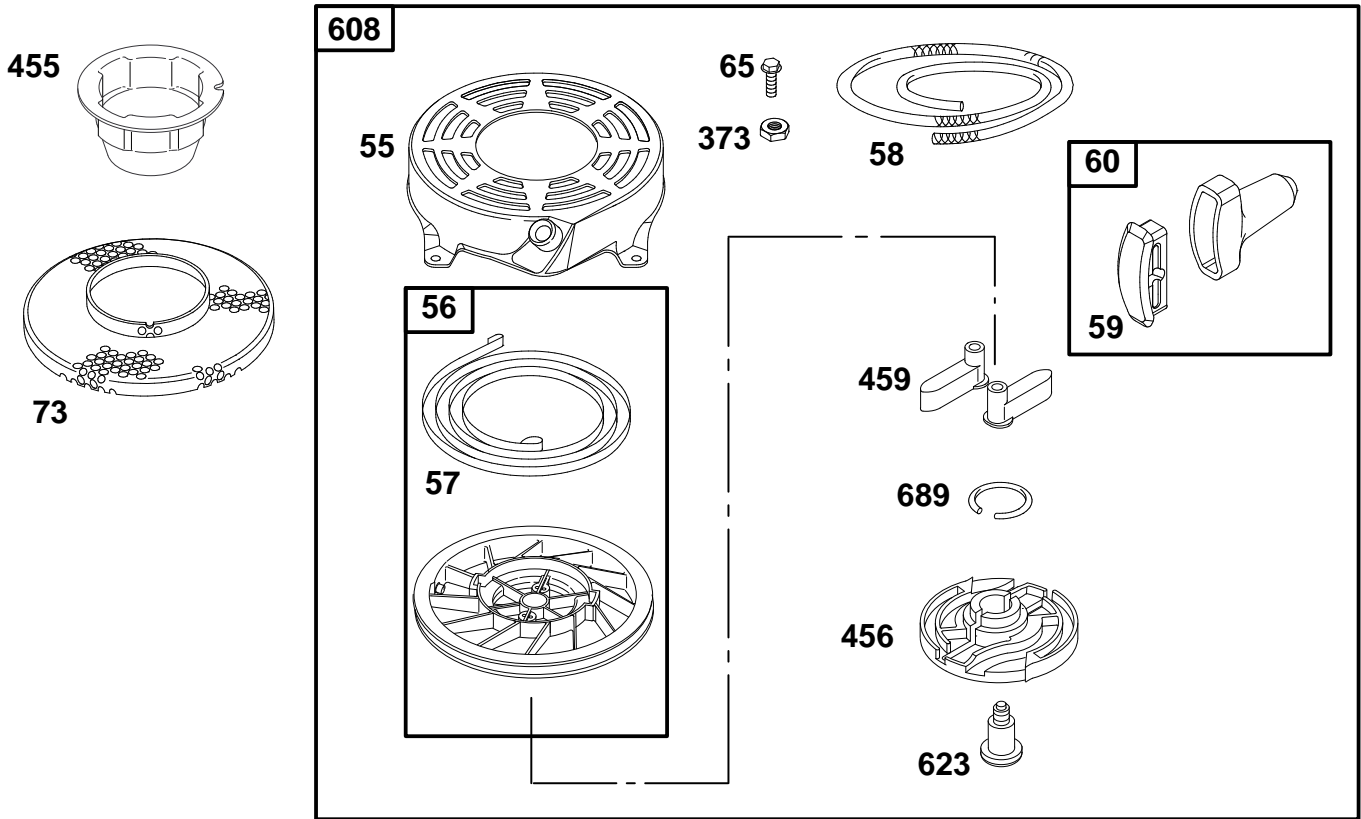
## ENGINE BRIGGS & STRATTON MODEL 135202-0142-03

Ref. No.	Part No.	Description	No. Used
23	399673	Flywheel	1
37	222443	Guard - Flywheel	1
81	222263	Locknut - Muffler Screw	1
200	223886	Guide - Air	1
300	391313	Muffler - Exhaust	1
304	495759	Housing - Blower	1
305	94786	Screw - Hex.	1
307	94680	Screw - Hex.	1
332	94877	Nut - Flywheel	1

Ref. No.	Part No.	Description	No. Used
346	94896	Screw - Hex.	1
346A	94887	Screw - Hex.	1
363	19069	Flywheel Puller	1
613	94042	Screw - Shoulder	1
646	222361	Brace - Muffler	1
676	393757	Deflector - Muffler	1
832	391232	Guard - Muffler	1
★883	272309	Gasket - Exhaust	1

Obtain Parts From Briggs & Stratton Dealer

★ Included in Gasket Set - Part No. 495603.



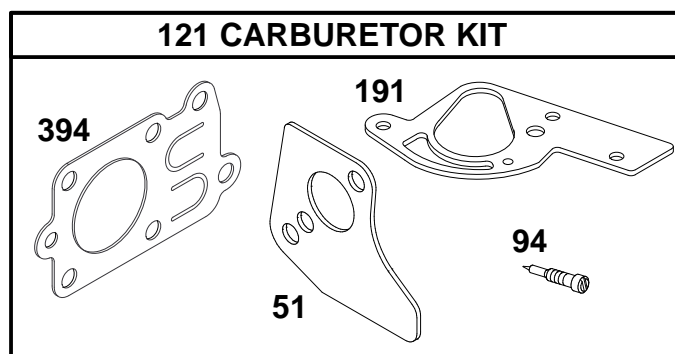
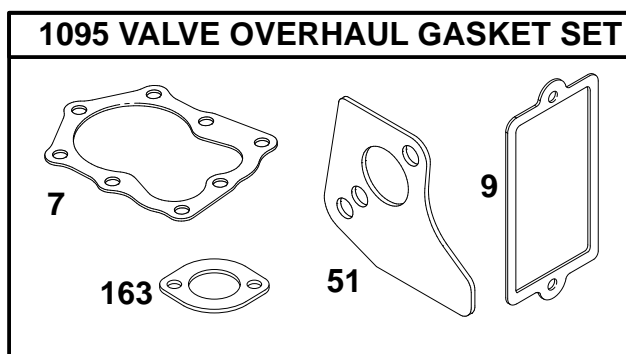
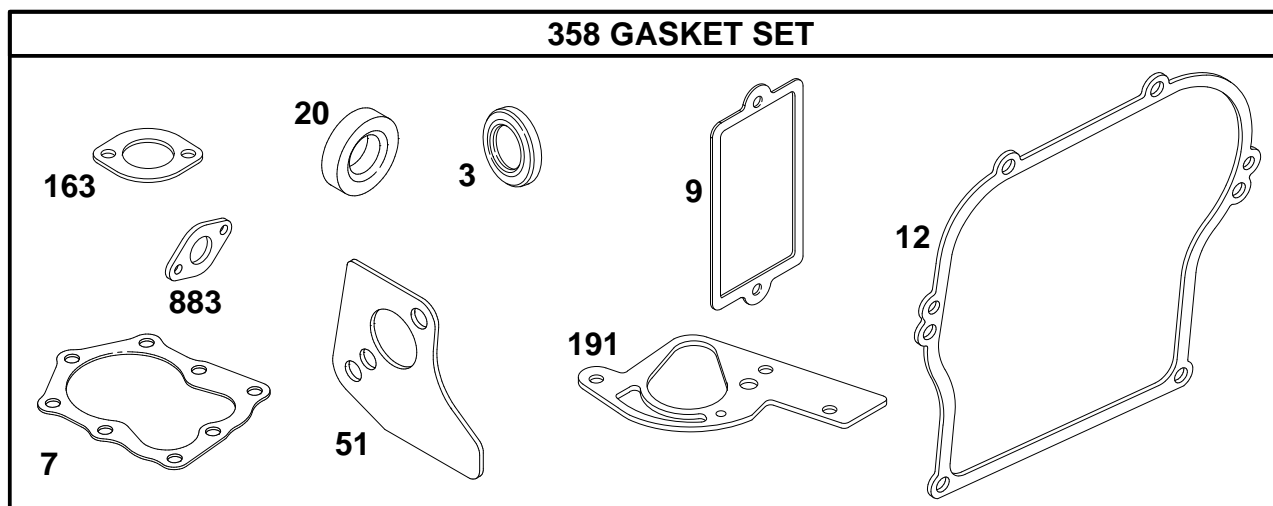
Assemblies include all parts shown in frames.

## ENGINE BRIGGS & STRATTON MODEL 135202-0142-03

Ref. No.	Part No.	Description	No. Used
55	497442	Housing - Rewind Starter	1
56	498144	Pulley - Starter	1
57	263074	Spring - Rewind Starter	1
58	280399	Rope - Starter (Cut to Required Length)	1
59	396892	Insert - Grip	1
60	393152	Grip - Starter Rope	1
65	94904	Screw - Hex.	1

Ref. No.	Part No.	Description	No. Used
73	225176	Screen - Rotating	1
373	94908	Nut - Hex.	1
455	225121	Cup - Flywheel	1
456	281503	Retainer - Spring	1
459	281505	Pawl - Ratchet	1
608	497830	Starter - Rewind	1
623	94943	Screw - Shoulder	1
689	263073	Spring - Friction	1

Obtain Parts From Briggs & Stratton Dealer



Assemblies include all parts shown in frames.

## ENGINE BRIGGS & STRATTON MODEL 135202-0142-03

Ref. No.	Part No.	Description	No. Used
★3	299819	Seal – Oil	1
■★7	272157	Gasket – Cylinder Head	1
■★9	27549	Gasket – Breather	1
★12	270080	Gasket – Crankcase (.015" Thick, Std.)	1
★	270125	Gasket – Crankcase (.005" Thick)	1
★	270126	Gasket – Crankcase (.009" Thick)	1
★20	294606	Seal – Oil	1

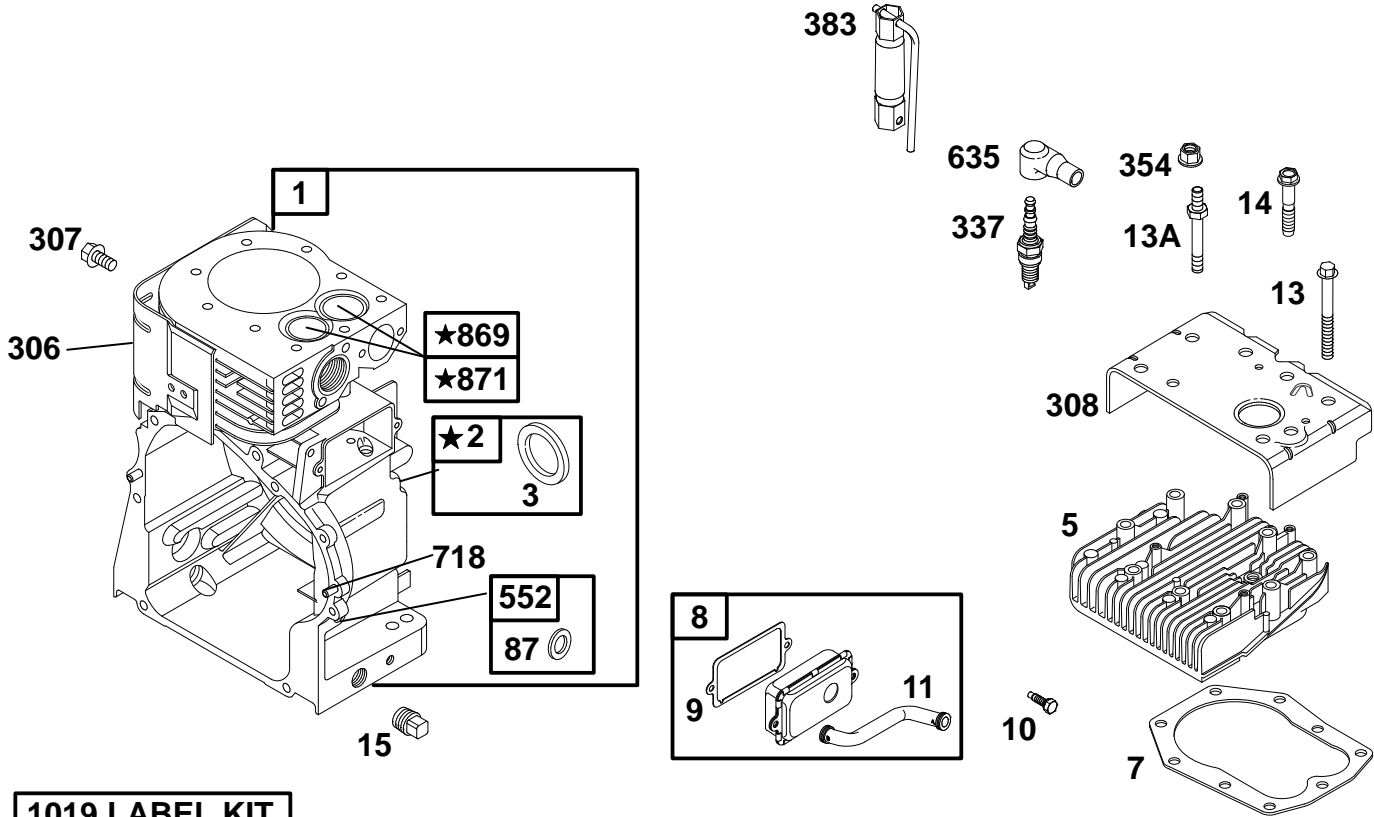
Ref. No.	Part No.	Description	No. Used
■●★51	273113	Gasket – Intake	1
●94	231533	Valve – Idle Adjustment	1
121	495606	Carburetor Kit	1
■★163	271935	Gasket – Air Cleaner	1
●★191	272489	Gasket – Fuel Tank	1
358	495603	Gasket Set	1
●394	272538	Diaphragm – Carburetor	1
★883	272309	Gasket – Exhaust	1
1095	498529	Gasket Set – Valve Overhaul	1

Obtain Parts From Briggs & Stratton Dealer

■ Included in Valve Overhaul Gasket Set – Part No. 498529.

★ Included in Gasket Set – Part No. 495603.

● Included in Carburetor Kit – Part No. 495606.



**1019 LABEL KIT**

**1058 OWNER'S MANUAL**

★ **REQUIRES SPECIAL TOOLS TO INSTALL.  
SEE REPAIR INSTRUCTION MANUAL.**

Assemblies include all parts shown in frames.

## ENGINE BRIGGS & STRATTON MODEL 192402-0645-A2 (Model 60061 Only)

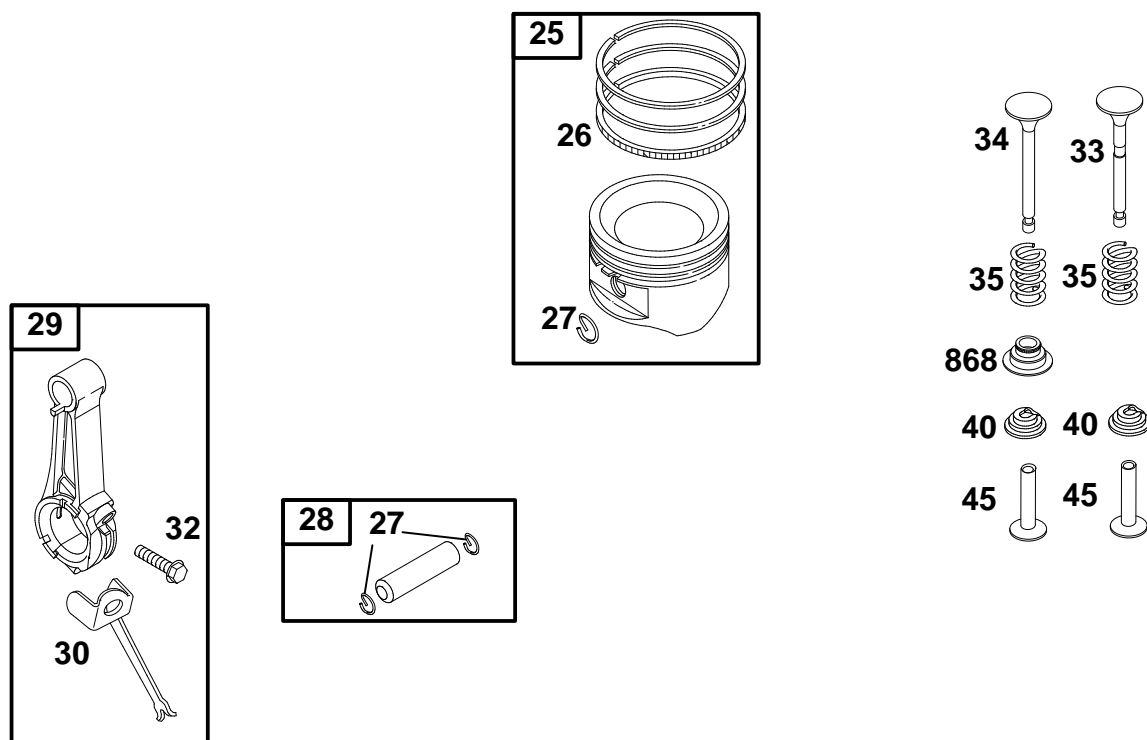
Ref. No.	Part No.	Description	No. Used
1	495631	Cylinder Assembly	1
2	495657	Bushing - Cylinder	1
★3	391086	Seal - Oil	1
5	214015	Head - Cylinder	1
■★7	272163	Gasket - Cylinder Head	1
8	498038	Breather - Valve Chamber	1
■★9	27803	Gasket - Breather	1
10	94621	Screw - Breather Mtg.	1
11	280819	Tube - Breather	1
13	94565	Screw - Cylinder Head (3-9/16" Long)	1
13A	94926	Stud - Hex. Drive <b>(Note: Used in Pos 5&amp;6)</b>	1
14	94622	Screw - Cylinder Head (3" Long)	1
15	94239	Plug - Oil Drain	1

Ref. No.	Part No.	Description	No. Used
87	491323	Seal - Gov. Shaft	1
306	496797	Shield - Cylinder	1
307	94930	Screw - Hex.	1
308	224896	Cover - Cylinder	1
337	802592	Plug - Spark	1
354	94726	Nut - Hex.	1
383	89838	Wrench - Spark Plug	1
552	491986	Bushing - Gov. Crank	1
635	66538	Elbow - Spark Plug	1
718	230192	Dowel - Sleeve	1
869	211661	Seat - Intake Valve	1
871	261961	Guide - Exhaust Valve <b>Note: 231218 Guide - Intake Valve</b>	1
1019	491181	Label Kit	1
1058	273130	Owner's Manual	1

Obtain Parts From Briggs & Stratton Dealer

★ Included in Gasket Set - Part No. 497070.

■ Included in Valve Overhaul Gasket Set - Part No. 498534.



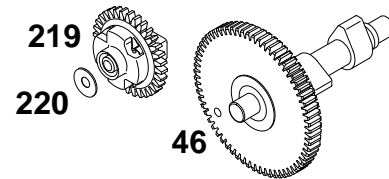
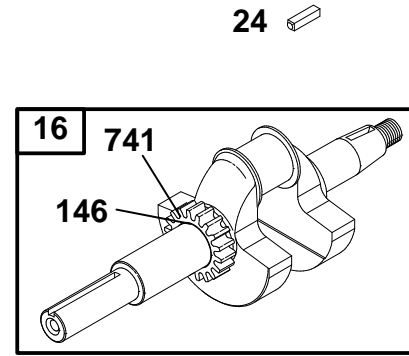
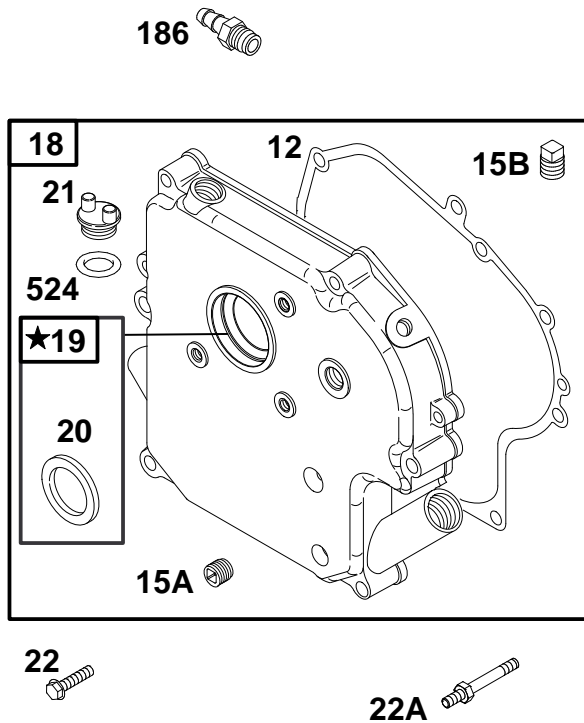
Assemblies include all parts shown in frames.

## ENGINE BRIGGS & STRATTON MODEL 192402-0645-A2 (Model 60061 Only)

Ref. No.	Part No.	Description	No. Used
25	391673	Piston Assy. (Standard)	1
	391674	Piston Assy. (.010" O.S.)	1
	391675	Piston Assy. (.020" O.S.)	1
	391676	Piston Assy. (.030" O.S.)	1
26	391669	Ring Set (Standard)	1
	299743	Ring Set (Std. Chrome)	1
	391670	Ring Set (.010" O.S.)	1
	391671	Ring Set (.020" O.S.)	1
	391672	Ring Set (.030" O.S.)	1
27	68546	Lock - Piston Pin	1
28	295840	Pin - Piston (Standard)	1
	295841	Pin - Piston (.005" O.S.)	1
29	390401	Rod - Connecting	

Ref. No.	Part No.	Description	No. Used
		<b>Note:</b> For Connecting Rod With .020" Undersize Crankpin Bearing - Order No. 390773.	1
30	222113	Dipper - Conn. Rod	1
32	92659	Screw - Connecting Rod	1
33	263017	Valve - Exhaust	1
34	261055	Valve - Intake	1
35	65906	Spring - Valve (Intake)	1
40	221596	Retainer - Valve Spring	1
45	260933	Tappet - Valve	1
868	497212	Seal - Valve	1

Obtain Parts From Briggs & Stratton Dealer



★ REQUIRES SPECIAL TOOLS TO INSTALL. SEE REPAIR INSTRUCTION MANUAL.

Assemblies include all parts shown in frames.

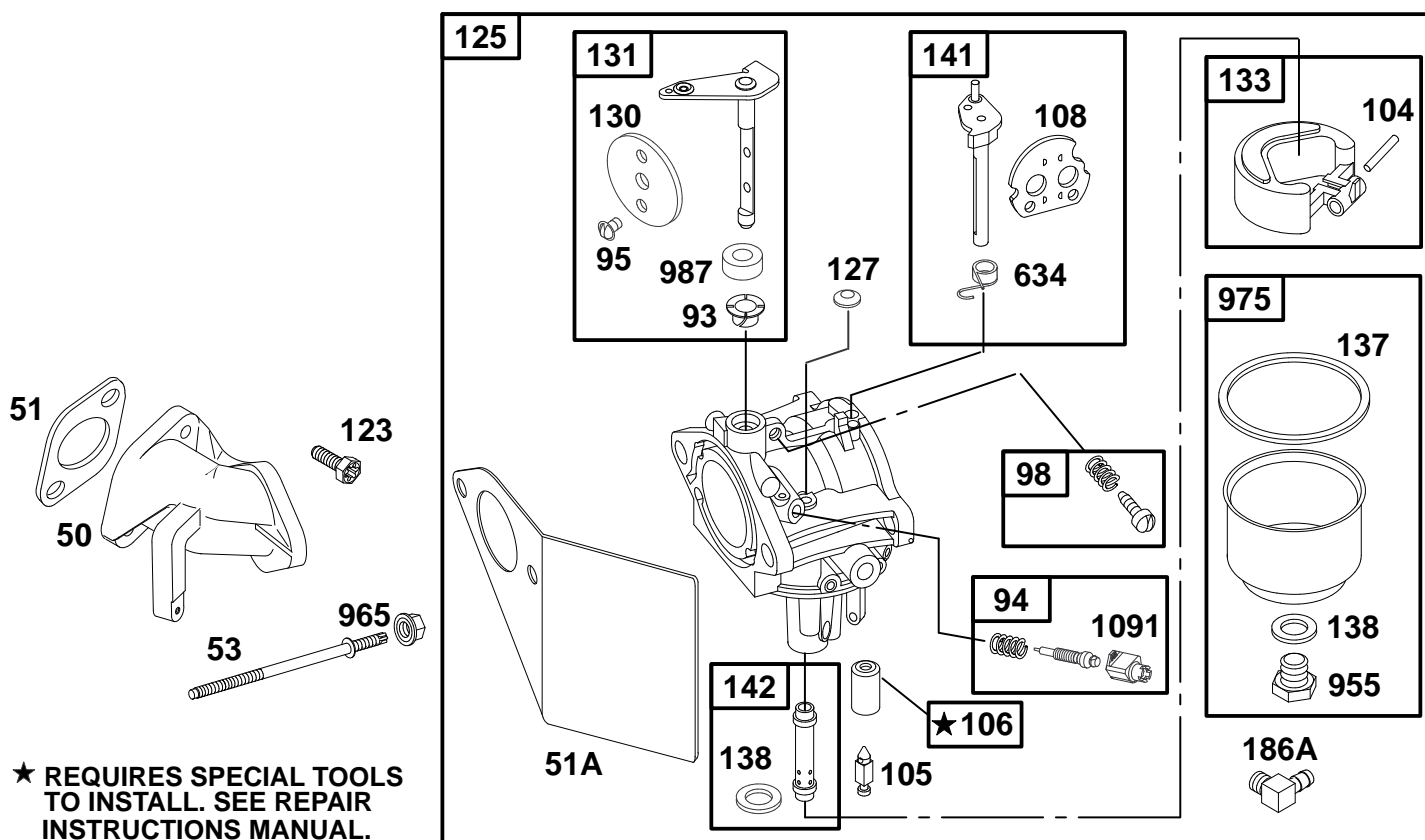
## ENGINE BRIGGS & STRATTON MODEL 192402-0645-A2 (Model 60061 Only)

Ref. No.	Part No.	Description	No. Used
★12	271701	Gasket – Crankcase (.015" Thick, Std.)	1
★	27876	Gasket – Crankcase (.005" Thick)	1
★	27877	Gasket – Crankcase (.009" Thick)	1
15A	94880	Plug – Oil Drain	1
15B	91488	Plug – Oil	1
16	495648	Crankshaft	1
18	496982	Cover – Crankcase	1
19	295964	Bushing	1
★20	391086	Seal – Oil	1

Ref. No.	Part No.	Description	No. Used
21	281658	Cap – Oil Fill	1
22	93585	Screw – Hex.	1
22A	94931	Stud – Hex. Drive <b>(Note: Used in Position 1)</b>	1
24	222698	Key – Flywheel	1
46	214786	Gear – Cam	1
146	94388	Key – Timing	1
186	230318	Connector – Hose	1
219	497037	Gear – Governor	1
220	221551	Washer – Thrust	1
524	281370	Seal – Fill Tube	1
741	263025	Gear – Timing	1

Obtain Parts From Briggs & Stratton Dealer

★ Included in Gasket Set – Part No. 497070.



Assemblies include all parts shown in frames.

T-0323

## ENGINE BRIGGS & STRATTON MODEL 192402-0645-A2 (Model 60061 Only)

Ref. No.	Part No.	Description	No. Used
50	214170	Manifold – Intake	1
■★51	272707	Gasket – Intake	1
●◆51A	272708	Gasket – Intake	1
53	94778	Stud – Carb. Mounting	1
●93	281346	Bushing – Throttle Shaft	1
94	498836	Valve – Idle Adjustment	1
●95	94098	Screw – Choke/Throttle	1
98	495800	Screw – Idle Speed	1
●104	231789	Pin – Float Hinge	1
●105	231935	Valve – Needle	1
●106	231856	Seat – Inlet	1
108	224540	Valve – Choke	1
123	94616	Screw – Carburetor Mtg.	1
125	498838	Carburetor	1
●127		Plug – Welch (Sold in Kit Only)	1
130	224668	Valve – Throttle	1

Ref. No.	Part No.	Description	No. Used
131	497579	Shaft – Throttle	1
133	494381	Float – Carburetor	1
●◆137	281165	Gasket – Float Bowl	1
●◆138	281164	Washer	1
141	497043	Shaft – Choke	1
142	497659	Nozzle – Carburetor (Standard)	1
	497660	Nozzle – Carburetor (High Altitude)	1
186A	493496	Connector – Hose	1
●634	494455	Seal – Spring Assembly	1
955	94642	Screw – Bowl Mtg.	1
965	94010	Nut – Hex.	1
975	495933	Bowl – Float	1
●987	281166	Seal – Throttle Shaft	1
1091	281364	Cap – Limiter	1

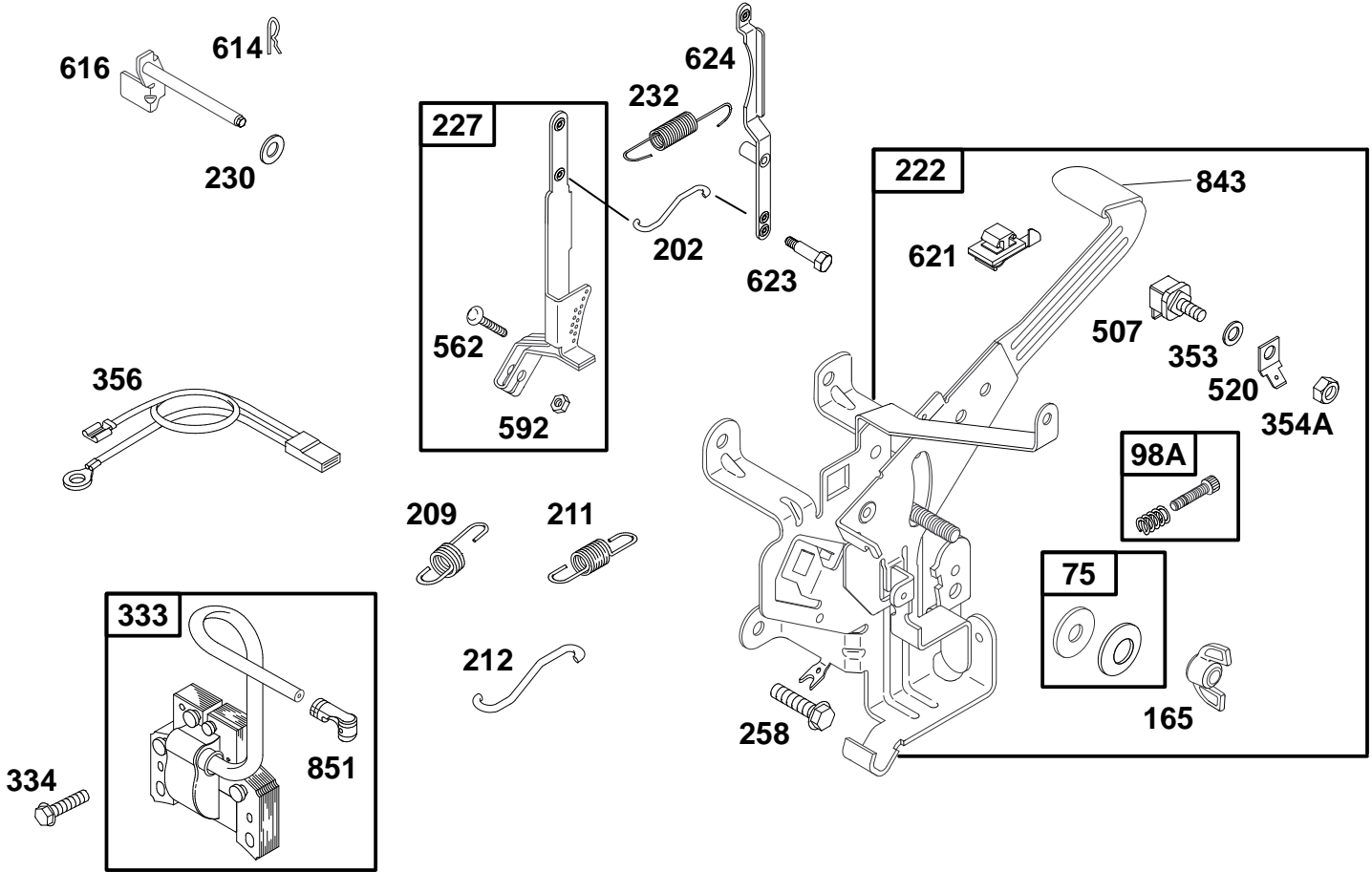
### Obtain Parts From Briggs & Stratton Dealer

■ Included in Valve Overhaul Gasket Set – Part No. 498534.

★ Included in Gasket Set – Part No. 497070.

● Included in Carburetor Kit – Part No. 497578.

◆ Included in Carburetor Gasket Kit – Part No. 497069.



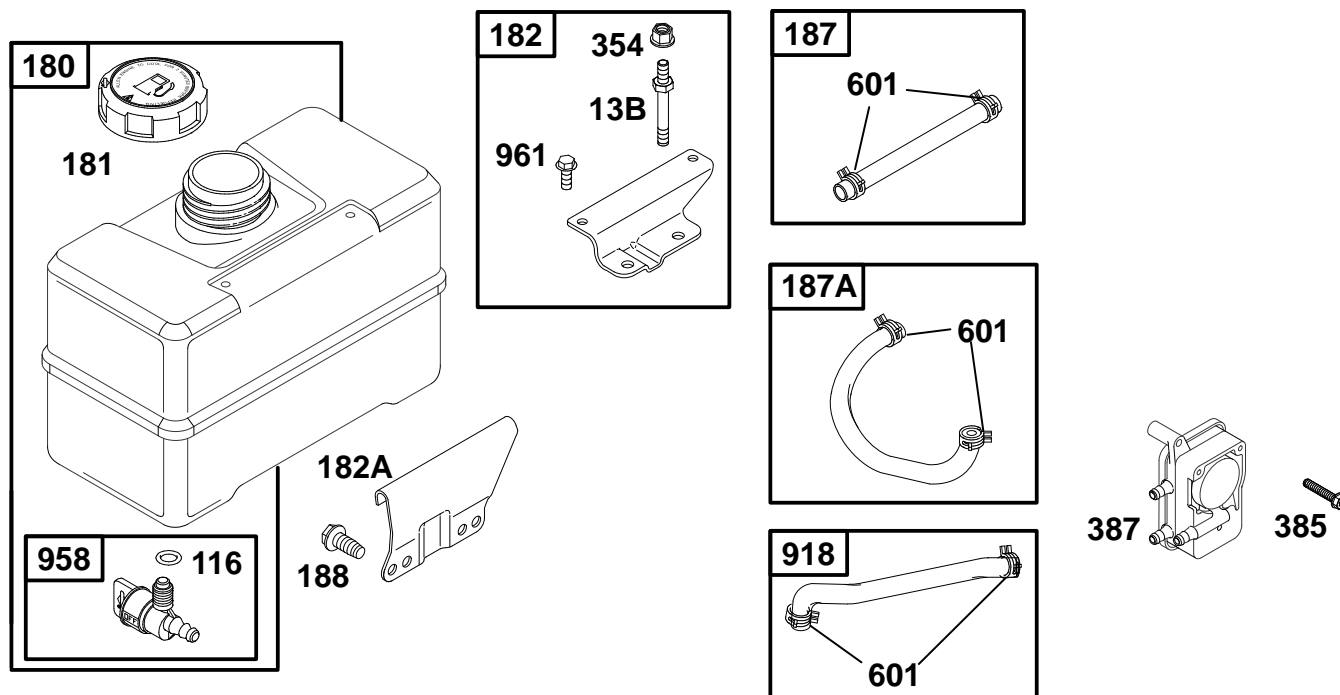
Assemblies include all parts shown in frames.

## ENGINE BRIGGS & STRATTON MODEL 192402-0645-A2 (Model 60061 Only)

Ref. No.	Part No.	Description	No. Used
75	495659	Washer Set	1
98A	493280	Screw - Idle Speed	1
165	94692	Nut - Wing	1
202	263049	Link - Throttle	1
209	263212	Spring - Governor	1
211	263182	Spring - Governor Idle	1
212	263051	Link - Throttle	1
222	499103	Bracket - Control	1
227	499096	Lever - Governor	1
230	94742	Washer - Flat	1
232	263020	Spring - Link	1
258	94929	Screw - Hex.	1
333	398811	Armature - Magneto	1
334	94731	Screw - Hex.	1

Ref. No.	Part No.	Description	No. Used
353	92791	Washer - Lock	1
354A	90576	Nut - Hex.	1
356	491391	Wire - Stop	1
507	398525	Insulator	1
520	93722	Terminal	1
562	94907	Screw - Gov. Lever	1
592	231978	Nut - Hex.	1
614	93306	Pin - Cotter	1
616	496818	Crank - Governor	1
621	396847	Switch - Stop	1
623	231520	Screw - Shoulder	1
624	497207	Lever - Linkage	1
843	280643	Sleeve - Lever	1
851	493880	Terminal - Cable	1

Obtain Parts From Briggs & Stratton Dealer

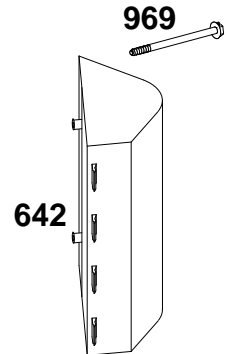
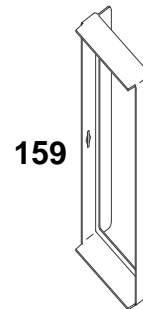
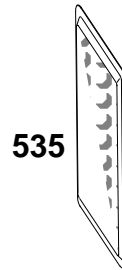
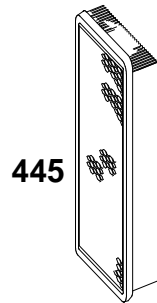
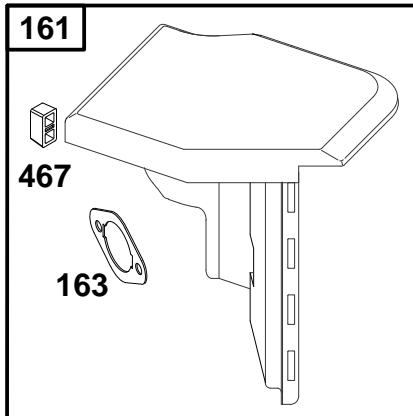
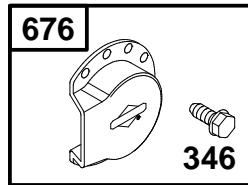
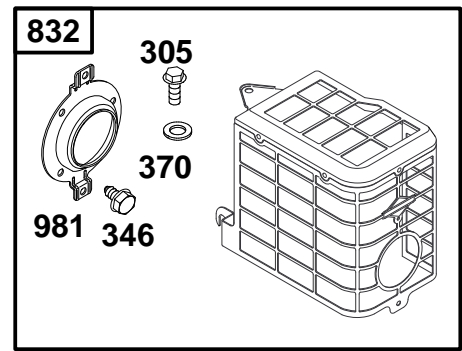
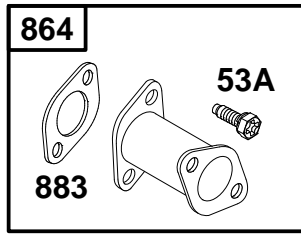
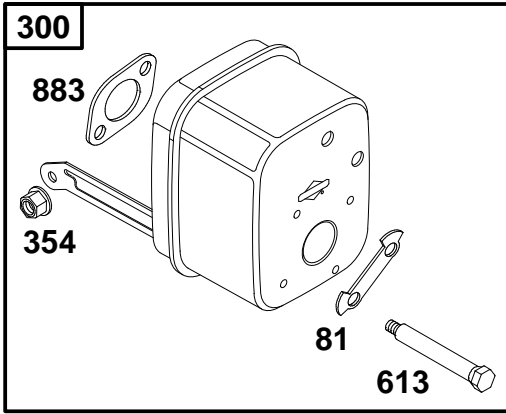


Assemblies include all parts shown in frames.

## ENGINE BRIGGS & STRATTON MODEL 192402-0645-A2 (Model 60061 Only)

Ref. No.	Part No.	Description	No. Used	Ref. No.	Part No.	Description	No. Used
13B	94733	Stud – Hex. Drive	1	188	94627	Screw – Hex.	1
116	280203	Seal – O-Ring	1	354	94726	Nut – Hex.	1
180	493337	Tank – Fuel	1	385	94789	Screw – Hex.	1
181	493988	Cap – Fuel Tank	1	387	496257	Pump – Fuel	1
182	495664	Bracket – Fuel Tank	1	601	93053	Clamp – Hose	1
182A	492990	Bracket – Fuel Tank	1	918	497457	Line – Vacuum (Cut to Required Length)	1
187	296004	Line – Fuel (Cut to Required Length)	1	958	399517	Valve – Shutoff	1
187A	497029	Line – Fuel	1	961	94095	Screw – Hex.	1

Obtain Parts From Briggs & Stratton Dealer



Assemblies include all parts shown in frames.

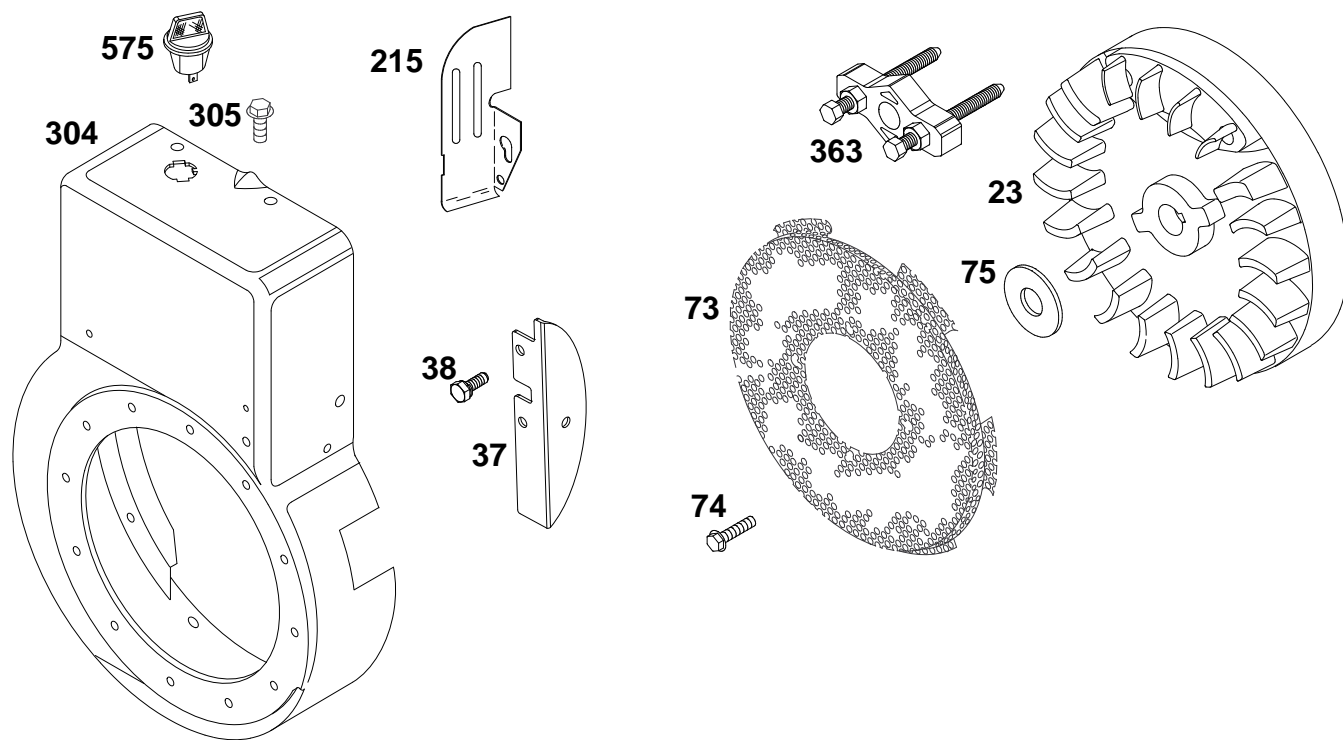
## ENGINE BRIGGS & STRATTON MODEL 192402-0645-A2 (Model 60061 Only)

Ref. No.	Part No.	Description	No. Used
53A	94706	Screw – Torx®Hex.	1
81	222263	Lock – Muffler Screw	1
159	281358	Support – Air Cleaner	1
161	497669	Base – Air Cleaner	1
★163	273101	Gasket – Air Cleaner	1
300	497141	Muffler – Exhaust	1
305	94786	Screw – Hex.	1
307	94930	Screw – Hex.	1
346	94896	Screw – Hex.	1
354	94726	Nut – Hex.	1
370	94856	Washer	1

Ref. No.	Part No.	Description	No. Used
445	496077	Filter – Air	1
467	280715	Knob – Control	1
535	492889	Filter – Air	1
613	94054	Screw – Shoulder	1
642	281357	Cover – Air Cleaner	1
676	393757	Deflector – Muffler	1
832	498236	Guard – Muffler	1
864	497140	Adapter – Muffler	1
★883	272309	Gasket – Exhaust	1
969	94777	Screw – Slotted Hex.	1
981	225214	Bracket – Muffler	1

**Obtain Parts From Briggs & Stratton Dealer**

- ★ Included in Gasket Set—Part No. 497070.
- Included in Valve Overhaul Gasket Set—Part No. 498534.

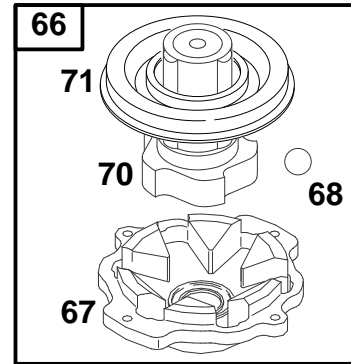
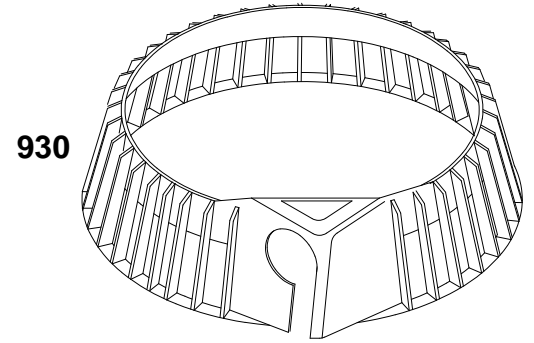
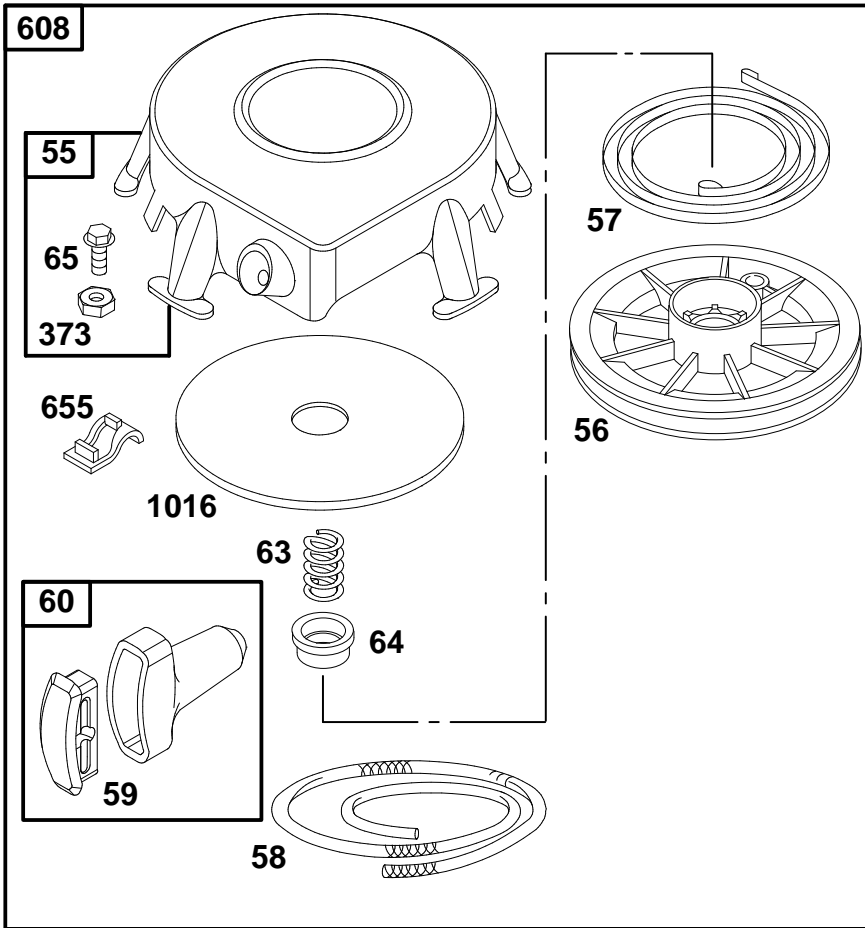

**1036 LABEL KIT-EMISSION**

Assemblies include all parts shown in frames.

## ENGINE BRIGGS & STRATTON MODEL 192402-0645-A2 (Model 60061 Only)

Ref. No.	Part No.	Description	No. Used	Ref. No.	Part No.	Description	No. Used
23	298260	Flywheel	1	215	221760	Guide - Air	1
37	222475	Guard - Flywheel	1	304	491592	Housing - Blower	1
38	94811	Screw - Hex.	1	305	94786	Screw - Hex.	1
73	224874	Screen - Rotating	1	363	19203	Flywheel Puller	1
74	94680	Screw - Hex.	1	575	396691	Switch - Rotary	1
75	225136	Washer	1	1036	499353	Label Kit - Emission	1

Obtain Parts From Briggs & Stratton Dealer



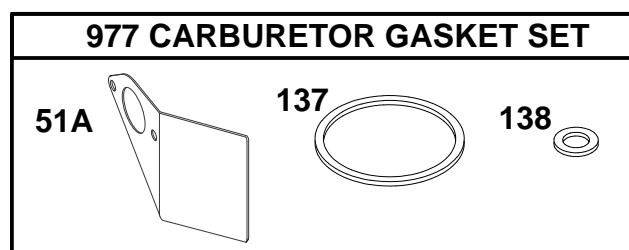
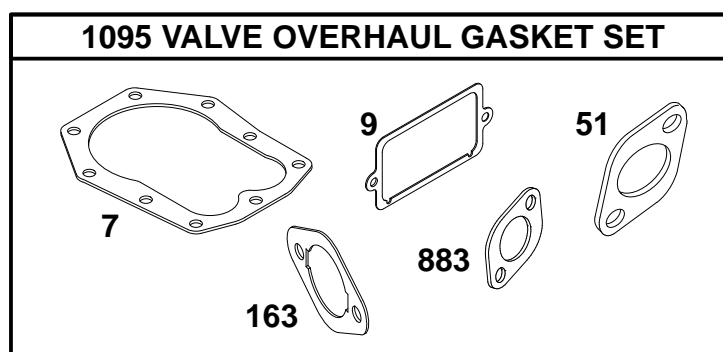
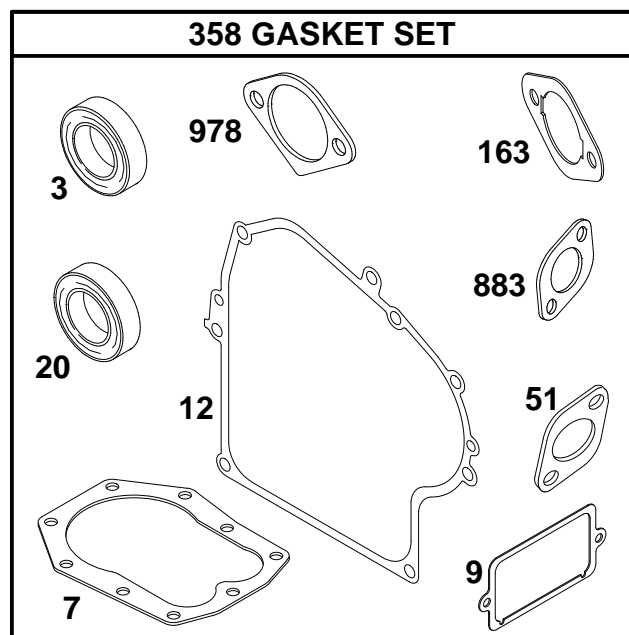
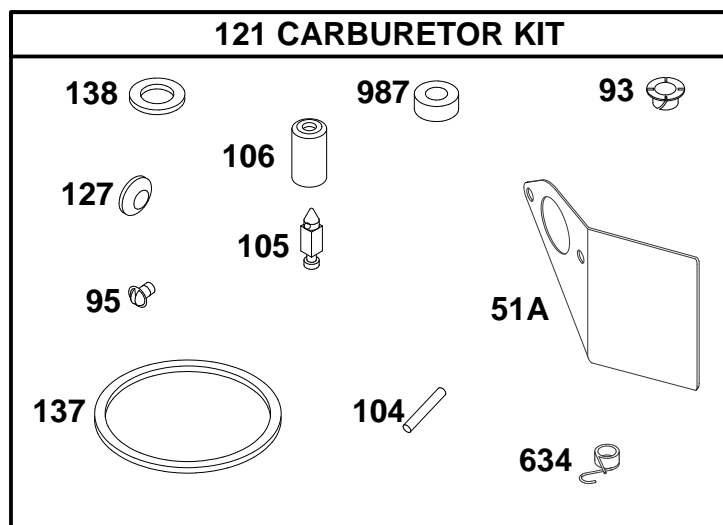
Assemblies include all parts shown in frames.

## ENGINE BRIGGS & STRATTON MODEL 192402-0645-A2 (Model 60061 Only)

Ref. No.	Part No.	Description	No. Used
55	393576	Housing - Rewind Starter	1
56	295871	Pulley - Starter	1
57	490179	Spring - Rewind Starter	1
58	66884	Rope - Starter (63" Long)	1
59	490653	Insert - Grip	1
60	490652	Grip - Starter Rope	1
63	260414	Spring - Ratchet	1
64	281204	Adapter - Spring	1
65	94686	Screw - Hex.	1

Ref. No.	Part No.	Description	No. Used
66	399671	Clutch - Starter	1
67	396897	Housing - Clutch	1
68	63770	Ball - Clutch	1
70	298799	Ratchet - Clutch	1
71	394506	Cover - Ratchet	1
373	92987	Nut - Hex.	1
608	390391	Starter - Rewind	1
655	222598	Anchor - Rewind Spring	1
930	280685	Guard - Rewind	1
1016	490817	Spacer - Rewind	1

Obtain Parts From Briggs & Stratton Dealer



Assemblies include all parts shown in frames.

## ENGINE BRIGGS & STRATTON MODEL 192402-0645-A2 (Model 60061 Only)

Ref. No.	Part No.	Description	No. Used
★3	391086	Seal – Oil	1
■★7	272163	Gasket – Cylinder Head	1
■★9	27803	Gasket – Breather	1
★12	271701	Gasket – Crankcase (.015" Thick, Std.)	1
★	27876	Gasket – Crankcase (.005" Thick)	1
★	27877	Gasket – Crankcase (.009" Thick)	1
★20	391086	Seal – Oil	1
■★51	272707	Gasket – Intake	1
●◆51A	272708	Gasket – Intake	1
●93	281346	Bushing – Throttle Shaft	1
●95	94098	Screw – Choke/Throttle	1
●104	231789	Pin – Float Hinge	1

Ref. No.	Part No.	Description	No. Used
●105	231935	Valve – Needle	1
●106	231856	Seat – Inlet	1
121	497578	Carburetor Kit	1
●127		Plug – Welch (Sold in Kit Only)	1
●◆137	281165	Gasket – Float Bowl	1
●◆138	281164	Washer	1
■★163	273101	Gasket – Air Cleaner	1
358	497070	Gasket Set	1
●634	494455	Seal – Spring Assembly	1
■★883	272309	Gasket – Exhaust	1
977	497069	Gasket Set – Carburetor	1
●987	281166	Seal – Throttle Shaft	1
1095	498534	Gasket Set – Valve Overhaul	1

Obtain Parts From Briggs & Stratton Dealer

■ Included in Valve Overhaul Gasket Set – Part No. 498534.

★ Included in Gasket Set – Part No. 497070.

● Included in Carburetor Kit – Part No. 497578.

◆ Included in Carburetor Gasket Kit – Part No. 497069.

# TORO PART NUMBER INDEX

3319-672A

Part No.	Description	Pg. Ref. No. No. Qty.	Part No.	Description	Pg. Ref. No. No. Qty.
62068	Delta Reel Kit (Optional)	2 * 1	T5150	Height Adjustment Kit	2 4 1
62070	Seeder Kit (Optional -	2 * 1	T5151	Knob w/Screws	2 3 1
T0026	Knob	2 1 1	T5154	Spring - Torsion	2 9 1
T0315	Bearing w/Locking Collar	1 6 2	T5155	Push Rod w/Hardware	2 5 1
T0330	V-Pulley 3/4	2 12 1	T5161	Deflector	2 21 1
T0331	V-Pulley 1 (Model 62061)	2 * 1	T5162	Strap Kit - Deflector	2 23 1
T0339	V-Belt B-36	2 13 1	T5163	Handle Asm.	2 11
T0340	V-Belt B-38	2 * 1	T5164	Pin Kit - Front Axle	2 * 1
T0343	Pulley - Idler	2 16 1	T5165	Handle	2 11.1 1
T0347	Bushing 3/4w/Lock Collar	1 8 1	T5167	Bolt Kit - Handle	2 22 1
T0349	V-Pulley without Bushing	1 9 1	T5168	Trunnion Rod Kit	2 1
T0351	Retaining Clip	1 11 8	T5169	V-Pulley with Bushing	1 10 1
T5001	Blade Set - Flail	1 4 1	T5170	Rotor - Flail without	1 2 1
T5002	Shaft Kit	1 1 1	T5171	Clutch - Handle	2 11.2 1
T5003	Blade and Shaft Set	1 * 1	T5175	Rotor Asm. Complete	1 * 1
T5004	Spacer Set	1 5 1	T5180	Rotor Asm. Complete	1 * 1
T5005	Cap	1 3 1	T5185	Stamping Kit w/Hardware	1 7 2
T5025	Shield Asm. w/Hardware	2 19 1	T5190	Torque Arm Asm.	2 6 1
T5027	Pulley Kit-Idler w/Hardware	2 17	T5193	Plate - Engine Bolt	2 7 2
T5051	Wheel Asm. w/Ball Bearing	2 10 2	T5198	Bolt Kit - Engine	2 * 1
T5052	Bolt Kit - Front Wheel Asm.	2 * 2	T8518	Decal Kit (Model 62062)	1 * 1
T5053	Wheel Asm. w/Ball Bearing	2 14 2	T8526	Decal Kit (Model 62061)	1 * 1
T5054	Bolt Kit - Rear Wheel	2 * 2			
T5089	Clutch Cable w/ Hardware	2 11.3 1			
T5110	Housing	2 20 1			
T5121	Mounting Arm - Idler Pulley	2 15 1			
T5129	Spring - Clutch Rod	2 18 1			
T5135	Axle - Front Wheel	2 8 1			
T5140	Belt Keeper Kit	2 1			
T5145	Lever Kit w/Hardware	2 2 1			

## Optional Equipment

Delta Reel Kit	62068
Seeder Kit (Requires 62068)	62070



