



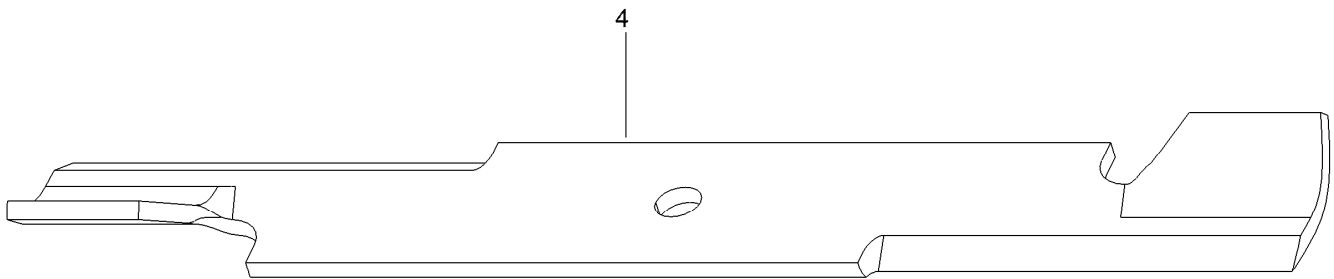
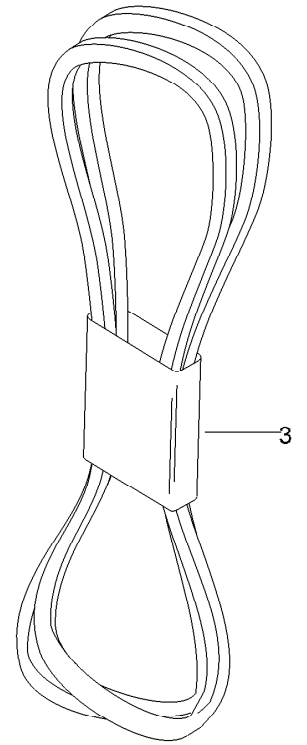
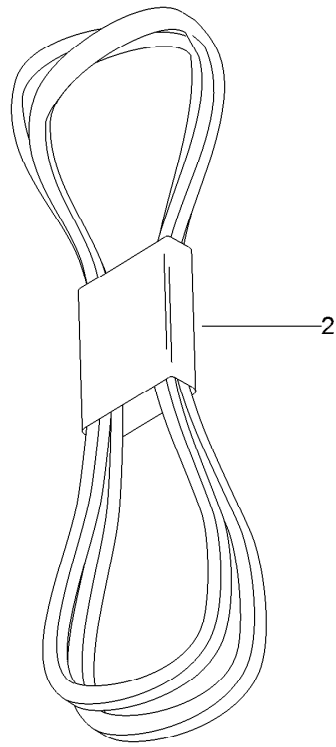
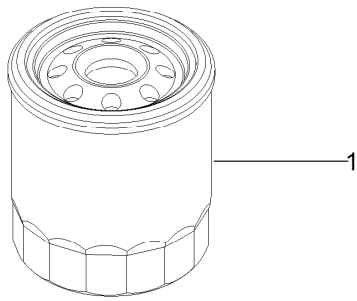
Count on it.

Parts Catalog

**MVP Filter, Belt and Blade Kit
Z Master® Commerical 2000 Series Riding
Mower with 60in Deck**

Model No. 127-1633





MVP Filter, Belt and Blade Kit No. 127-1633

<i>Ref.</i>	<i>Part Number</i>	<i>Qty.</i>	<i>Description</i>
1	109-3321	2	Element-Oil Filter, HYD
2	114860	1	Belt-V
3	114-5858	1	Belt-V
4	115-9649-03	3	Blade-Hi Flo, 20.5In