



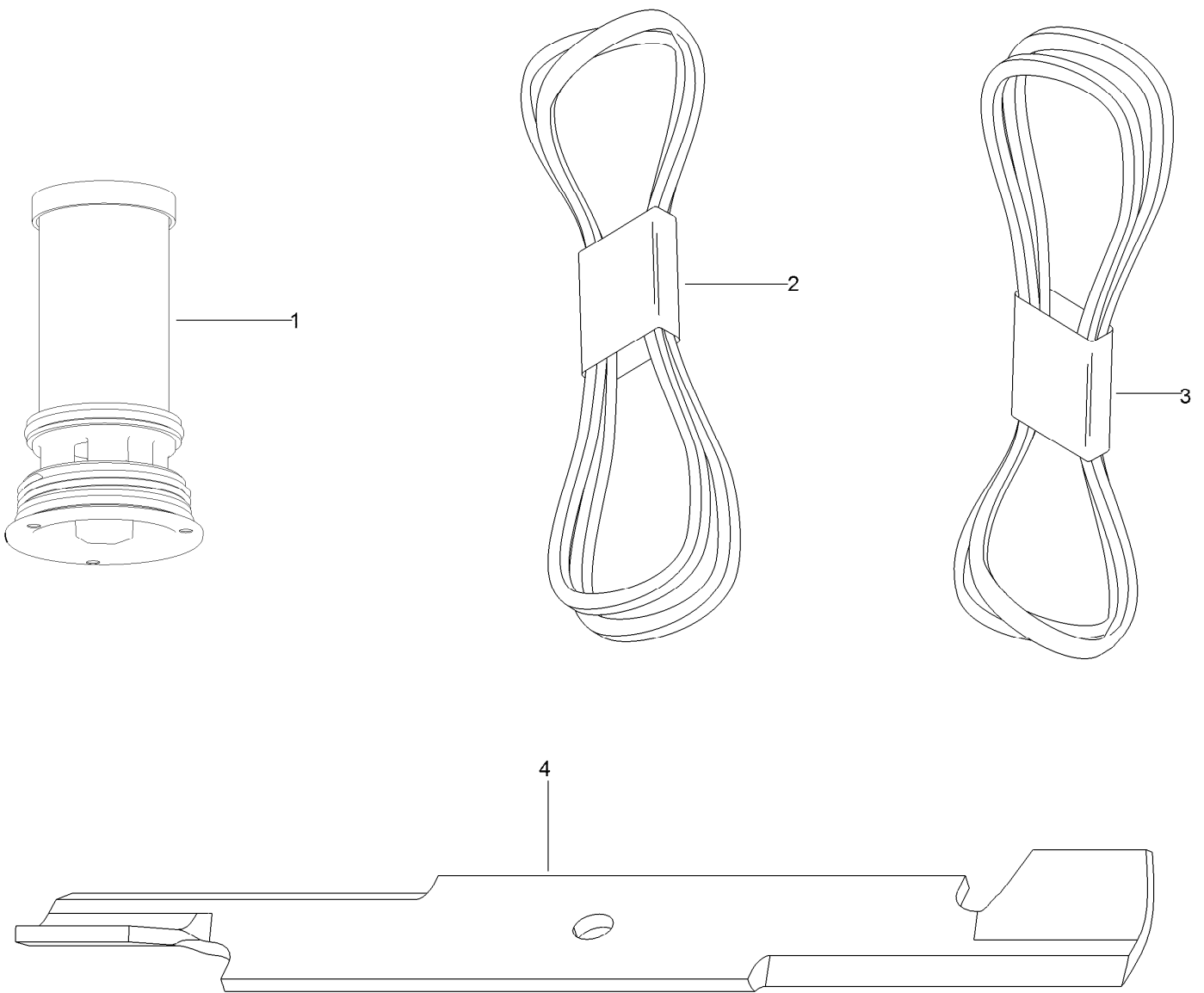
Count on it.

Parts Catalog

**MVP Filter, Belt and Blade Kit
Z Master® Professional 5000/6000 Series
Riding Mower with 72in Deck**

Model No. 127-1640





MVP Filter, Belt and Blade Kit No. 127-1640

| <i>Ref.</i> | <i>Part Number</i> | <i>Qty.</i> | <i>Description</i> |
|-------------|--------------------|-------------|--------------------------|
| 1 | 117-0390 | 2 | Filter-Hydro |
| 2 | 109-3388 | 1 | Belt |
| 3 | 114-5859 | 1 | Belt-V |
| 4 | 105-7784-03 | 3 | Blade-Hi Flow, 24.5 Inch |