



30in TurfMaster Walk-Behind Lawn Mower

Model No. 22200—Serial No. 313000001 and Up

Addendum

Note: Follow the instructions in this Addendum before performing the procedures in the Setup section of the *Operator's Manual*.

1

Installing the Handle

No Parts Required

Procedure

⚠ WARNING

Folding or unfolding the handle improperly can damage the cables, causing an unsafe operating condition.

- Do not damage the cables when folding or unfolding the handle.
- If a cable is damaged, contact an Authorized Service Dealer.

Note: This procedure replaces the *Installing the Handle* procedure in your *Operator's Manual*.

1. Remove the 2 bolts from the machine frame in the location shown in [Figure 1](#).

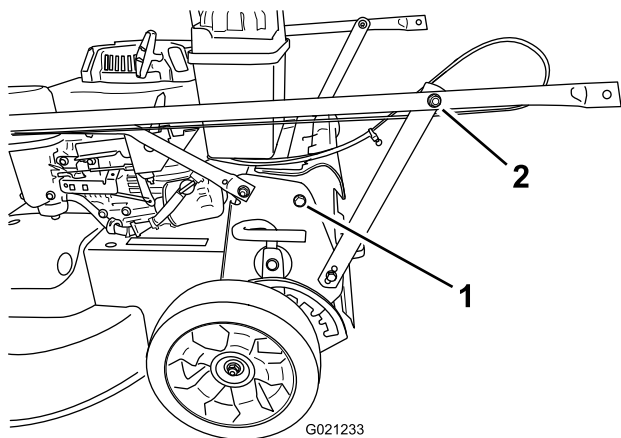


Figure 1

1. Bolt (2)
2. Nut on handle support bracket (2)

2. Rotate the handle rearward to the operating position.

3. Secure the handle to the machine with the bolts that you removed in step 1.
4. Tighten the fasteners that support the handle on both sides of the machine as shown in [Figure 2](#).

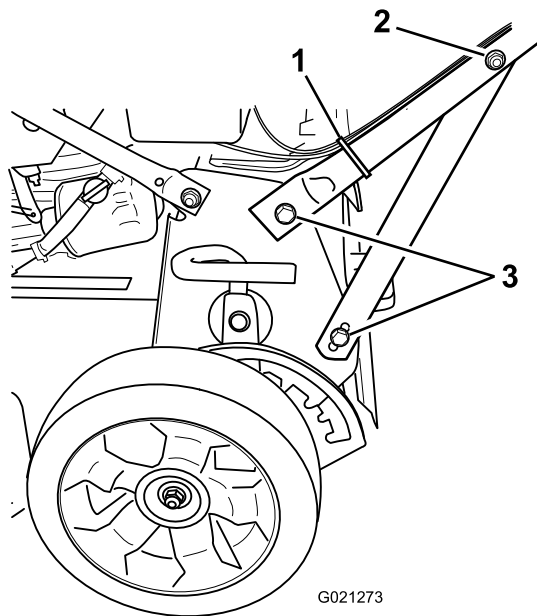


Figure 2

1. Cable tie
2. Nut on handle support bracket (2)
3. Bolt (4)

5. Use a cable tie to secure the cables to the lower handle in the location shown in [Figure 2](#).
6. Secure the cable tie on the handle and trim off the excess material from the tie.

2

Adjusting the Handle Height

No Parts Required

Procedure

1. Stand in the operating position to determine the most comfortable handle height.
2. Remove the handle bolt and insert it in 1 of the 3 holes located at the bottom of the handle bracket ([Figure 2](#)).



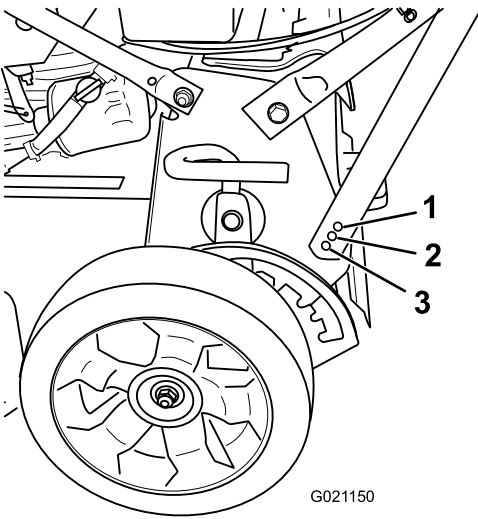


Figure 3

1. Lowest handle height setting
2. Middle handle height setting
3. Highest handle height setting

-
3. Tighten the handle bolt until it is snug.
 4. Repeat the steps above for the other side of the machine.