

LAWN-BOY®

**21" SILVER SERIES
REAR BAGGING
WALK-BEHIND MOWER**

MODEL NO. 10200-7900001 & UP

PARTS CATALOG

PRODUCT CHANGES

In an effort to make improvements available to LAWN-BOY owners as quickly as possible, minor changes are incorporated into LAWN-BOY products from time to time that do not become immediately shown in the Parts Catalog. If such a change has been made in your unit, which is not reflected in your Parts Catalog, see your LAWN-BOY Distributor or his Authorized LAWN-BOY Service Dealer for information and part numbers.

IDENTIFICATION AND ORDERING

MODEL AND SERIAL NUMBERS

The Product two identification numbers; a model number and a serial number. The two numbers are stamped on a plate mounted on the deck. In any correspondence concerning the Product, supply model and serial numbers to assure that correct information and replacement parts are obtained.

To order replacement parts from an Authorized Service Dealer, supply the following information:

1. Model and serial number.
2. Part number, description, and the quantity of part(s) desired.

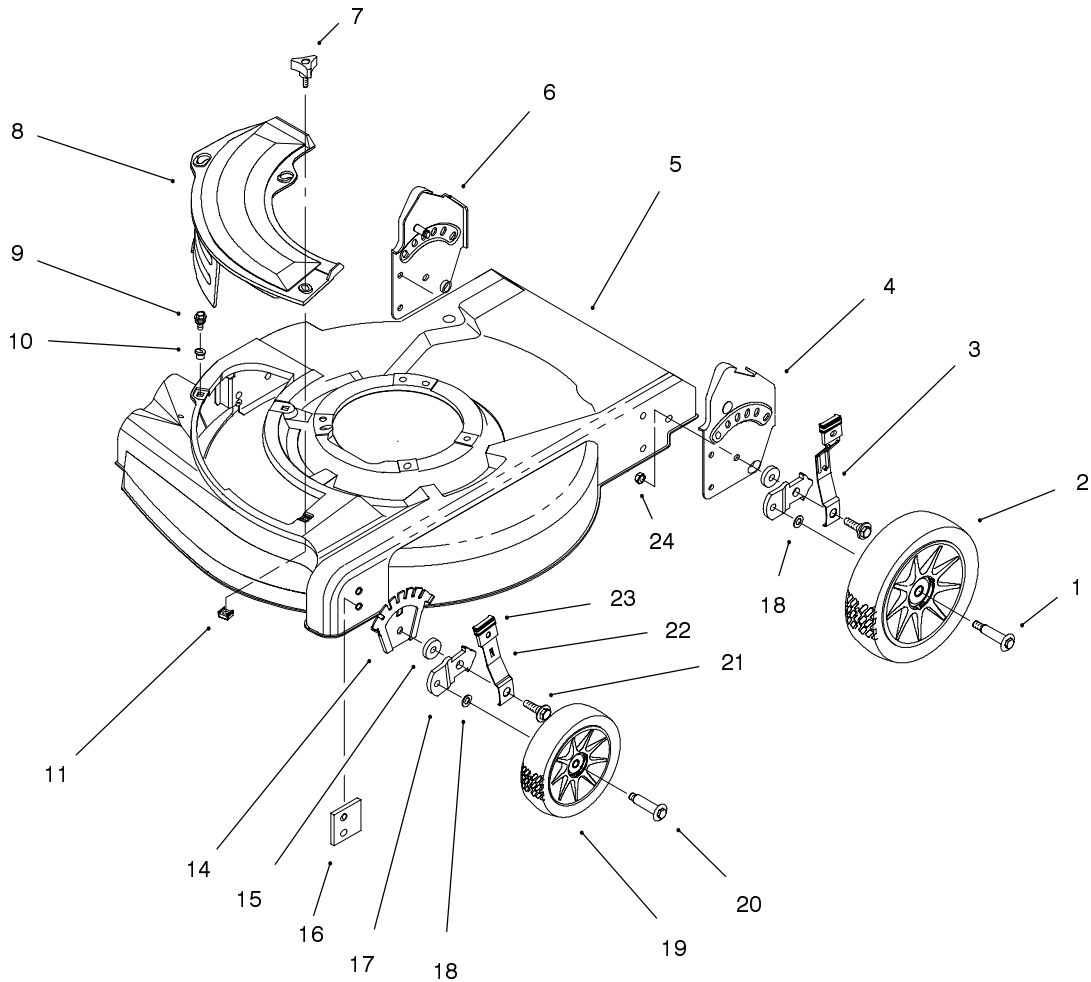
NOTE: Do not order by reference number if a parts catalog is being used; use the PART NUMBER.

TABLE OF CONTENTS

Description	Page	Description	Page
Housing Assembly	1	Carburetor No. 632733	9
Cover & Shield Assembly	2	Recoil Starter Assembly 590702	10
Engine & Blade Assembly	3	Recoil Starter Assembly 590739 (Optional)	11
Handle Assembly	4	Numeric Parts Index	12
Rear Catcher Assembly	5	Maintenance	13-14
Engine TVS120-66004A	6-8		

Accessories

Description	Model / Parts No.	Description	Model / Parts No.
Side Bagging Kit	Model No. 89814	Leaf Bag Kit w/Chute	Model No. 89811
Leaf Bag	Model No. 89804	Mow & Feed Fertilizer Spreader .	Model No. 59070
Leaf Shredder Kit	Model No. 89860		

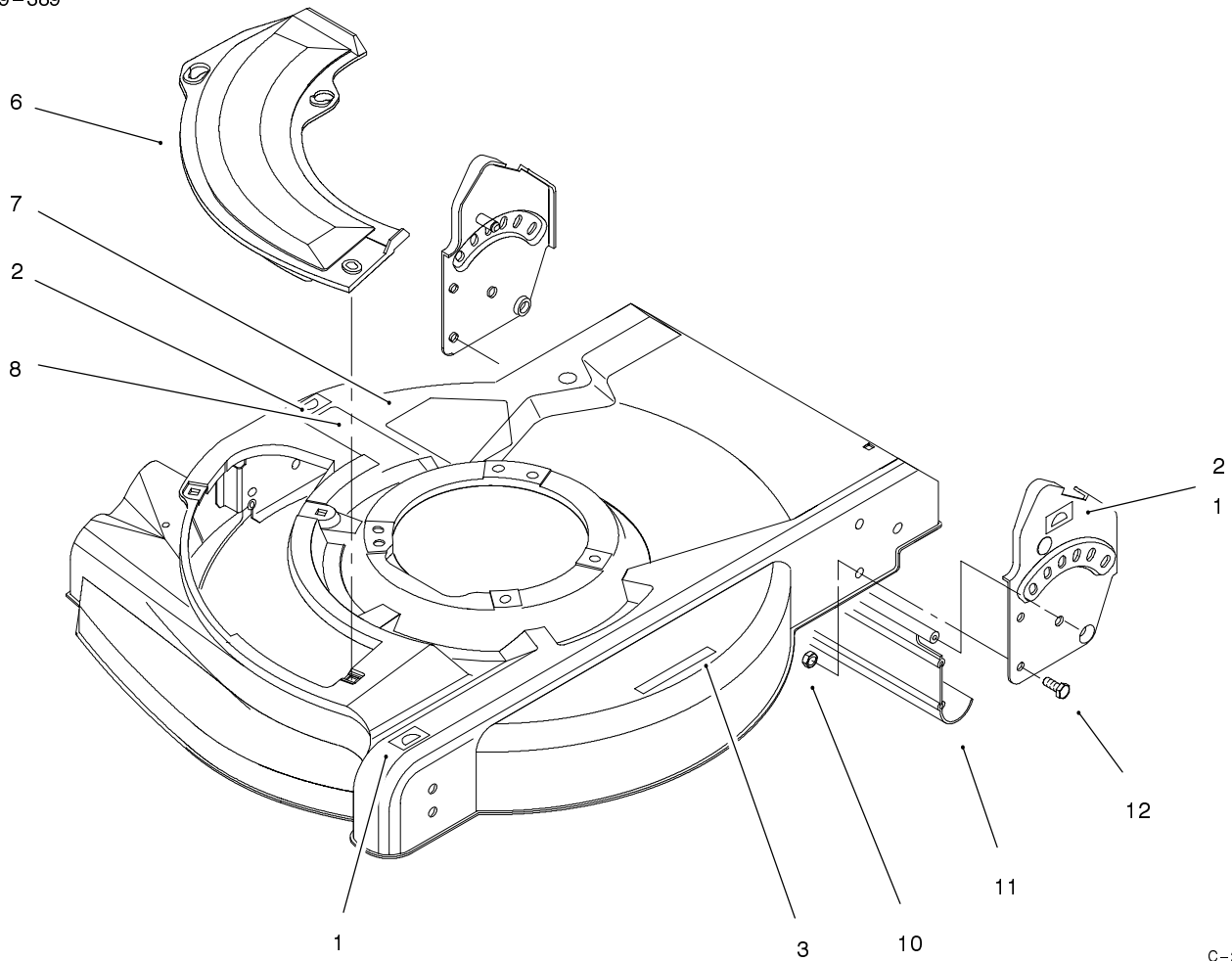


C-2477

HOUSING ASSEMBLY

Ref. No.	Part No.	Description	No. Used
1	614650	Bolt – Shoulder	2
2	684777	Wheel & Tire Assembly – 8”	2
3	92-1005	Spring Arm Assembly – Rear	2
4	92-7743	Bracket – Handle L.H.	1
5	16-4359	Housing & Baffle Assembly	1
6	92-7742	Bracket – Handle R.H.	1
7	614682	Knob – Cover Plate	1
8	92-8630	Plate – Mulch 21”	1
9	614677	Screw – Sems Thr’d Form	2
10	94-1610	Grommet – Plastic	2
11	613765	Nut – Cage	1

Ref. No.	Part No.	Description	No. Used
14	92-4881	Plate – Height Adjustment	2
15	92-4890	Washer – Flat	4
16	92-7731	Plate – Baffle	2
17	614637	Bracket – Wheel Height Adj.	4
18	40-1940	Washer	4
19	684776	Wheel & Tire Assembly – 6”	2
20	92-1099	Bolt – Shoulder	2
21	614672	Bolt – Shoulder Height Adj.	4
22	614687	Spring Arm Assembly – Front	2
23	92-1008	Knob – Height Adjust	4
24	3296-39	Nut – Lock	2

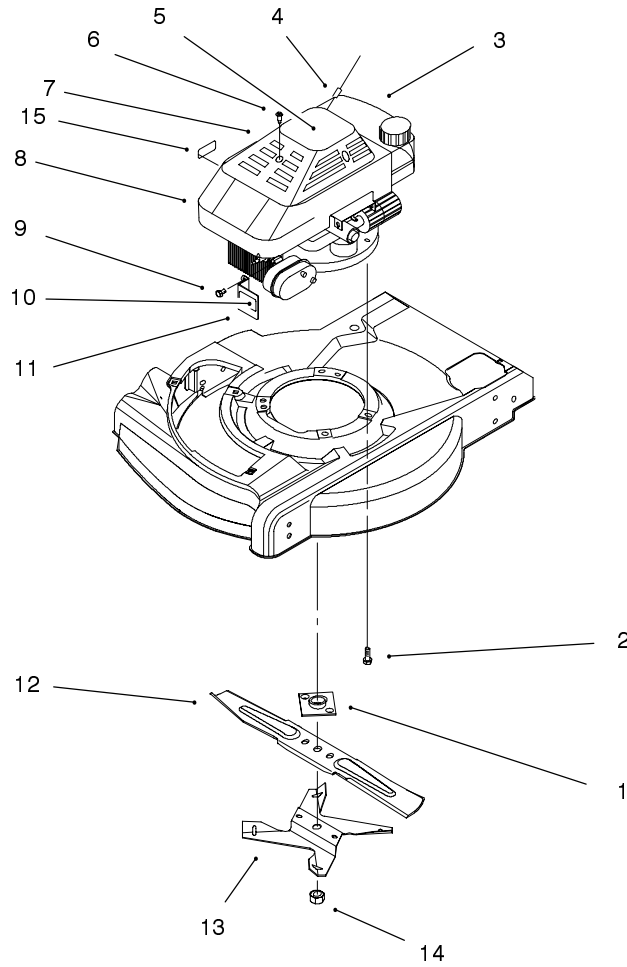


C-2478

COVER & SHIELD ASSEMBLY

Ref. No.	Part No.	Description	No. Used
1	92-2915	Decal - H.O.C.	2
2	92-2914	Decal - H.O.C.	2
3	93-7250	Decal - Warning	1
6	607560	Plate - Cover	1
7	39-5770	Decal - Danger	1

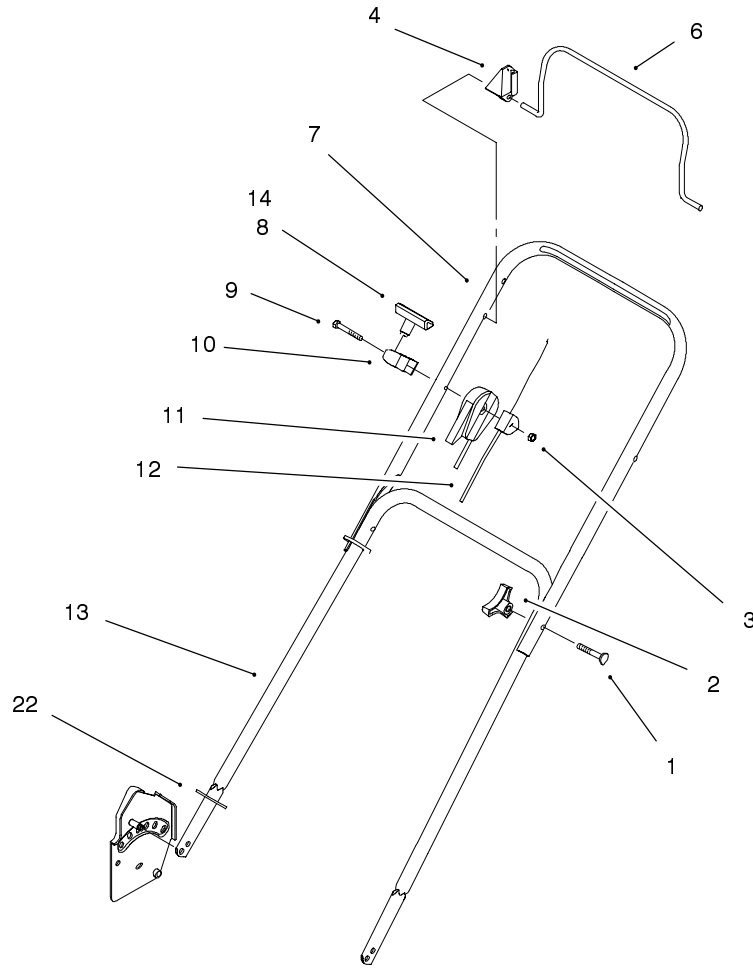
Ref. No.	Part No.	Description	No. Used
8	92-1097	Decal - Discharge	1
10	3296-29	Nut - Lock	4
11	92-8647	Shield - Trailing	1
12	322-3	Screw - Hex Hd. Cap	4



C-2479A

ENGINE & BLADE ASSEMBLY

Ref. No.	Part No.	Description	No. Used	Ref. No.	Part No.	Description	No. Used
1	677525	Plate & Collar Assembly	1	9	3274-52	Screw - Hex Socket Hd.	2
2	95-1726	Screw - Engine	3	10	65-2690	Decal - Warning	1
3		Engine	1	11	92-1605	Guard - Muffler	1
4	92-1701	Stop - Rope	1	12	612543	Blade - 21"	1
5	95-1745	Decal - Shroud Top	1	13	92-1630	Fan - Mulching	1
6	92-4852	Screw - Recoil Cover	4	14	603164	Nut - Blade	1
7	92-4854	Cover - Starter	1	15	92-4851	Decal - Oil Instruction	1
8	94-6088	Shroud - Engine	1				

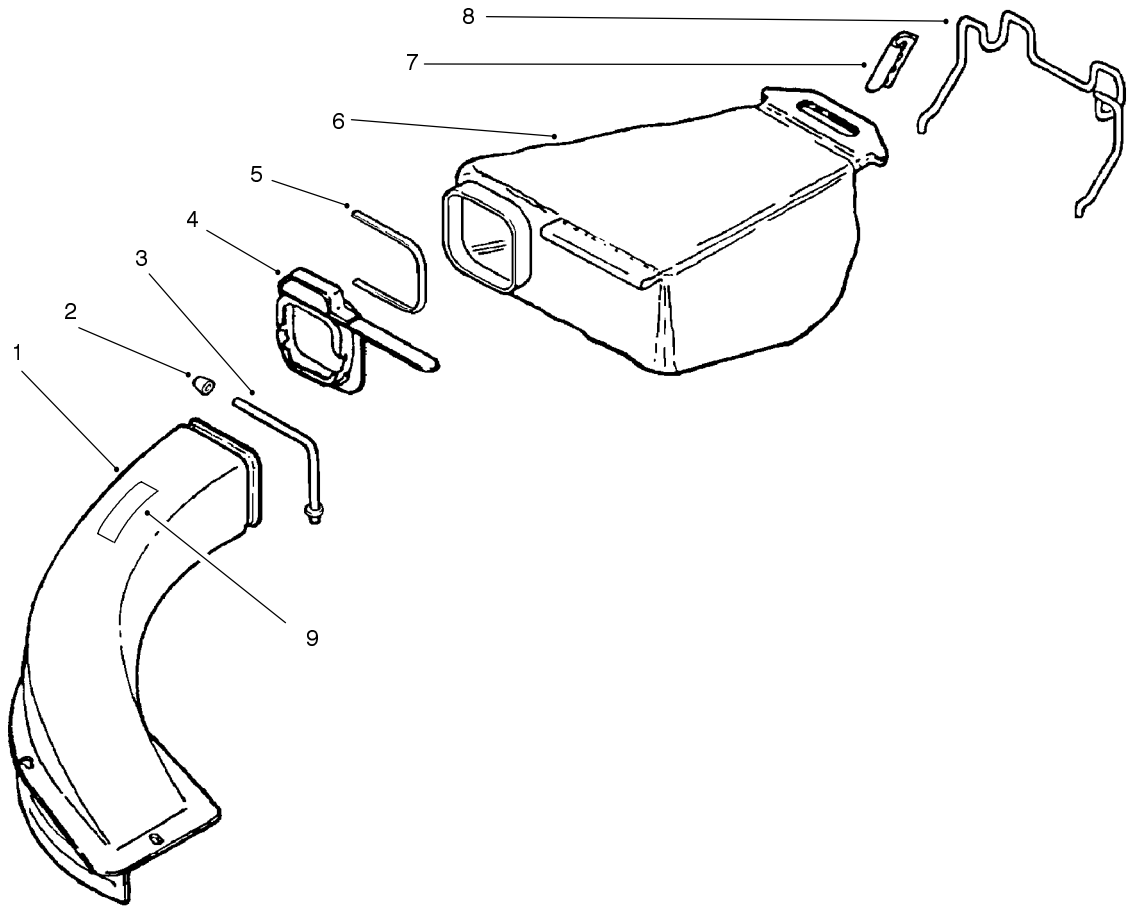


C-2480

HANDLE ASSEMBLY

Ref. No.	Part No.	Description	No. Used
1	614697	Screw - Handle	2
2	614243	Knob	2
3	3296-73	Nut - Lock	1
4	92-5412	Stop - Pivot	1
6	93-4184	Bail - Flywheel Brake	1
7	95-1713	Handle - Upper	1
8	92-4853	Handle - Starter	1

Ref. No.	Part No.	Description	No. Used
9	321-49	Screw - Hex Hd. Cap	1
10	93-7383	Guide - Rope	1
11	92-1045	Cable - Throttle	1
12	92-9589	Cable - Brake	1
13	614643	Handle - Lower	1
14	92-5424	Staple - Handle	1
22	93-3653	Guard - Handle	1



REAR CATCHER ASSEMBLY

Ref. No.	Part No.	Description	No. Used
1	684729	Chute & Support Assembly (Incl. Ref.# 2,3 & 9)	1
2	614589	Nut – Cap	1
3	614591	Chute Support	1
4	684727	Adaptor Assembly	1
5	614700	Tie Strap	1

Ref. No.	Part No.	Description	No. Used
6	*	Bag Assembly	1
7	613462	Hanger Clamp	2
8	613455	Wide Hanger	1
9	92-2919	Decal – Danger	1

*Includes Ref.#5 and instruction sheet for installing bag to adapter assembly. Order via model #89800.

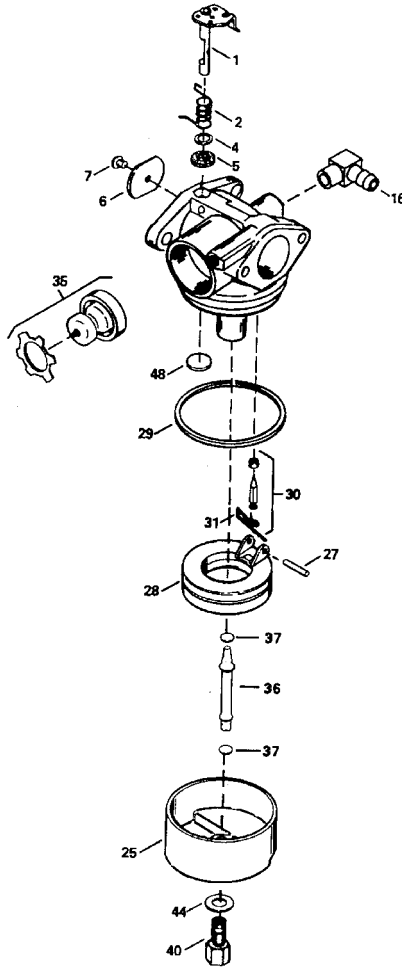
ENGINE TVS120-66004A

Ref. No.	Part No.	Description	No. Used	Ref. No.	Part No.	Description	No. Used
1	36478A	Cylinder (Incl. 2,7,20 & 125)	1	125	36471	Exhaust Valve (Std.) (Incl. 151)	1
2	26727	Dowel Pin	2	125	36472	Exhaust Valve (1/32" OS) (Incl. 151)	1
6	33734	Breather Element	1	126	29314B	Intake Valve (Std.) (Incl. 151)	1
7	36557	Breather Body Ass'y. (Incl. 6 & 12A)	1	126	29315C	Intake Valve (1/32" OS) (Incl. 151)	1
12A	36558	Breather Cover & Tube (Incl. 12B)	1	127	650691	Washer	2
12B	34695	Breather Tube Elbow	1	130	6021A	Screw	6
14	28277	Washer	1	130E	650818	Screw	2
15	30589	Governor Rod (Incl. 14)	1	135	35395	Resistor Spark Plug (RJ19LM)	1
16	32651	Governor Lever	1	150	35991	Valve Spring	2
17	31335	Governor Lever Clamp	1	151	31673	Valve Spring Cap	2
18	651018	Screw	1	169	27234A	Valve Cover Gasket	1
19	35998	Extension Spring	1	172	32755	Valve Cover	1
20	32600	Oil Seal	1	174	30200	Screw	2
30	36597	Crankshaft	1	178	29752	Nut & Lock Washer	2
40	36073	Piston, Pin & Ring Set (Std.)	1	182	6201	Screw	2
40	36074	Piston, Pin & Ring Set (.010" OS)	1	184	26756	Carburetor To Intake Pipe Gasket	1
40	36075	Piston, Pin & Ring Set (.020" OS)	1	185	36544	Intake Pipe	1
41	36070	Piston & Pin Ass'y. (Std.) (Incl. 43)	1	186	36255	Governor Link	1
41	36071	Piston & Pin Ass'y. (.010" OS) (Incl. 43)	1	189	650839	Screw	2
41	36072	Piston & Pin Ass'y. (.020" OS) (Incl. 43)	1	191	36559	S.E. Brake Bracket (Incl. 195)	1
42	36076	Ring Set (Std.)	1	195	610973	Terminal	1
42	36077	Ring Set (.010" OS)	1	200	35999	Control Bracket	1
42	36078	Ring Set (.020" OS)	1	207	36200	Throttle Link	1
43	20381	Piston Pin Retaining Ring	2	209	30200	Screw	2
45	32875A	Connecting Rod Ass'y. (Incl. 46)	1	223	650451	Screw	2
46	32610A	Connecting Rod Bolt	2	224	34690A	Intake Pipe Gasket	1
48	27241	Valve Lifter	2	238	650932	Screw	2
50	35992	Camshaft (MCR)	1	239	34338	Air Cleaner Gasket	1
52	29914	Oil Pump Ass'y.	1	241	35797	Air Cleaner Collar	1
69	35261	Mounting Flange Gasket	1	245	35066	Air Cleaner Filter	1
70	34311D	Mounting Flange (Incl. 72 thru 83)	1	250	35986	Air Cleaner Cover	1
72	36083	Oil Drain Plug	1	260	35826	Blower Housing	1
75	27897	Oil Seal	1	261	30200	Screw	2
80	30574A	Governor Shaft	1	262	650831	Screw	2
81	30590A	Washer	1	275	36473	Muffler (Incl. 277)	1
82	30591	Governor Gear Ass'y. (Incl. 81)	1	277	650988	Screw	2
83	30588A	Governor Spool	1	285	35000A	Starter Cup	1
86	650488	Screw	6	287	650926	Screw	2
89	611004	Flywheel Key	1	290	34357	Fuel Line	1
90	611112	Flywheel	1	292	26460	Fuel Line Clamp	2
92	650815	Belleville Washer	1	300	35586	Fuel Tank (Incl. 292 & 301)	1
93	650816	Flywheel Nut	1	301	35355	Fuel Cap	1
100	34443A	Solid State Ignition	1	305	35819A	Oil Fill Tube	1
101	610118	Spark Plug Cover	1	306	36832	"O"-Ring	1
103	651007	Screw, Torx T-15,	2	307	35499	"O"-Ring	1
110	34961	Ground Wire	1	309	651014	Screw	1
119	36477	Cylinder Head Gasket	1	310	36259	Dipstick	1
120	36476	Cylinder Head	1	313	34080	Spacer	1
				370A	36261	Lubrication Decal	1
				380	632733	Carburetor (Incl. 184)	1

ENGINE TVS120-66004A

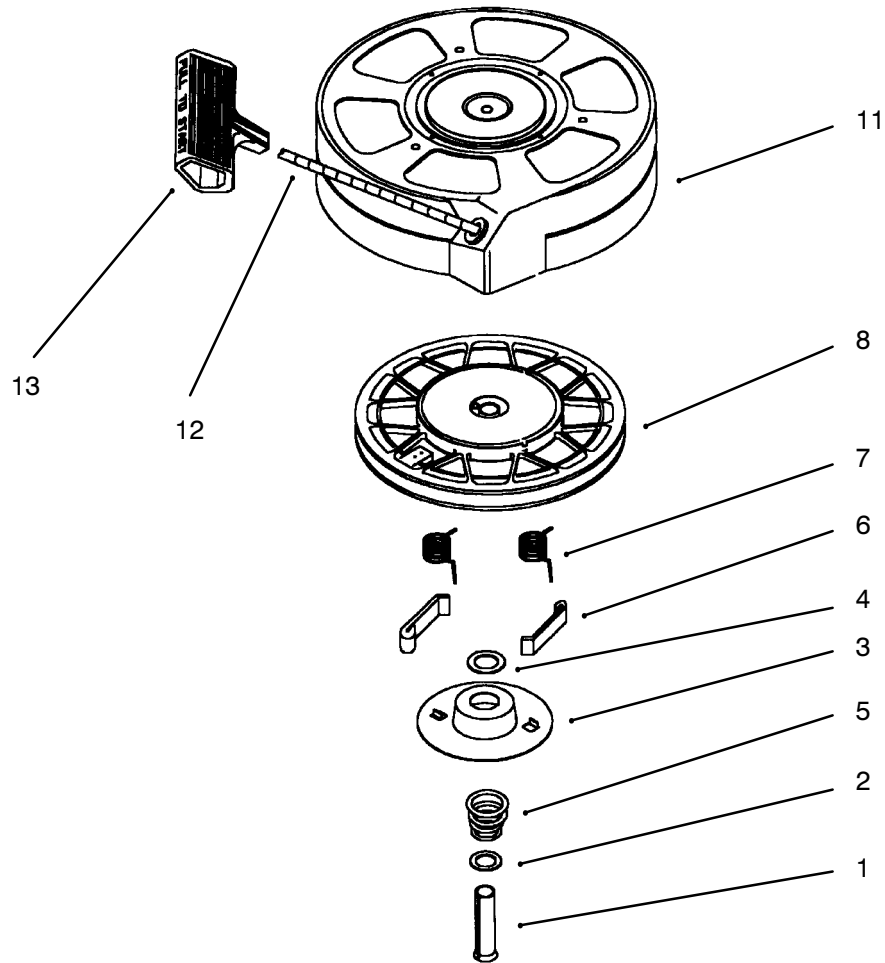
Ref. No.	Part No.	Description	No. Used
390	590702	Rewind Starter (NOTE: This engine could have been built with 590739 starter. Refer to the design of the rope pulley strength ribs for part identification. Individual starter parts do not interchange. Refer to service bulletin 116.)	1
400	36481	Gasket Set (Incl. Items Marked PK in Notes) Incl. part #'s 26756 (1), 27234A (1), 33735 (1), 36832 (1), 34338 (1), 34690A (1), 35261 (1), 36477 (1)	1

Ref. No.	Part No.	Description	No. Used
416	36085	Spark Arrestor Kit (Incl. 417) (Optional)	1
417	650760	Screw (Optional)	1
420	730225	SAE 30 4-Cycle Engine Oil (Quart)	1



CARBURETOR No. 632733

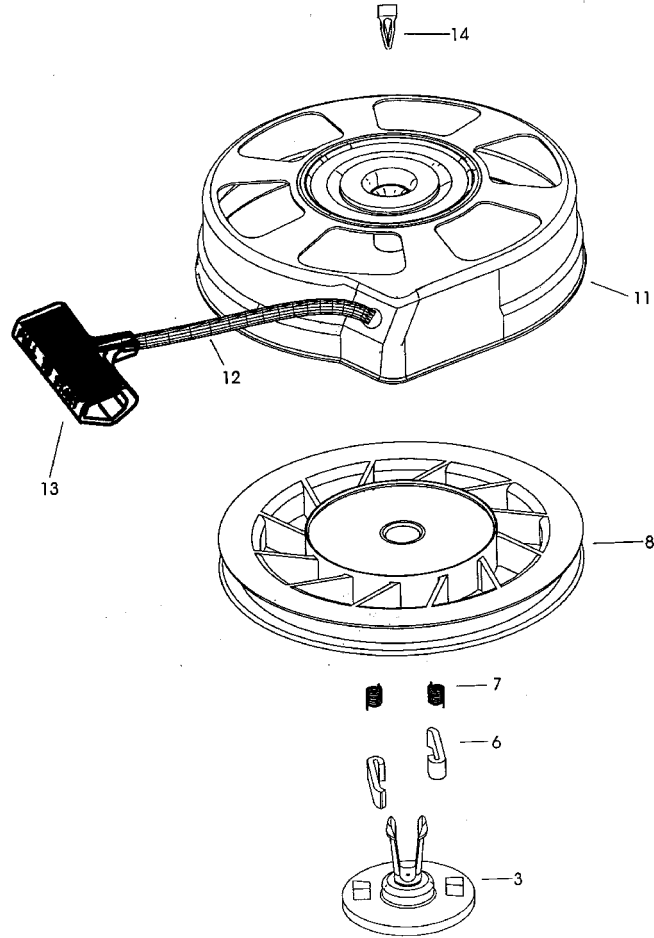
Ref. No.	Part No.	Description	No. Used	Ref. No.	Part No.	Description	No. Used
1	631615	Throttle Shaft & Lever Assembly	1	29	631028	Float Bowl "O" Ring	1
2	631767	Throttle Return Spring	1	30	631021	Inlet Needle, Seat, & Clip (Incl. 31)	1
4	631184	Dust Seal Washer	1	31	631022	Spring Clip	1
5	631183	Dust Seal (Throttle)	1	35	36045	Primer Bulb/Retainer Ring	1
6	632504	Throttle Shutter	1	36	632735	Main Nozzle Tube	1
7	650506	Shutter Screw	1	37	632547	O-Ring, Main Nozzle Tube	2
16	631775	Fuel Fitting	1	40	632736	High Speed Bowl Nut	1
25	631867	Float Bowl	1	44	27110	Bowl Nut Washer	1
27	631024	Float Shaft	1	48	631027	Welch Plug, Atmospheric Vent	1
28	632019	Float	1				



RECOIL STARTER ASSEMBLY 590702

Ref. No.	Part No.	Description	No. Used
0	590702	Recoil Starter	1
1	590599A	Spring Pin (Incl. 4)	1
2	590600	Washer	1
3	590696	Retainer	1
4	590601	Washer	2
5	590697	Brake Spring	1
6	590698	Starter Dog	2
7	590699	Dog Spring	2

Ref. No.	Part No.	Description	No. Used
8	590700	Pulley & Rewind Spring Ass'y.	1
11	590703	Starter Housing Ass'y (40 degree grommet)	1
12	590535	Starter Rope (98" X 9/64" dia.)	1
13	590701	Starter Handle	1



RECOIL STARTER ASSEMBLY 590739 (Optional)

Ref. No.	Part No.	Description	No. Used	Ref. No.	Part No.	Description	No. Used
0	590739	Rewind Starter	1	11	590638	Starter Housing Ass'y (40 degree grommet)	1
3	590740	Retainer	1	12	590535	Starter Rope (Length 98" x 9/64" dia.)	1
6	590616	Starter Dog	2	13	590701	Starter Handle	1
7	590617	Dog Spring	2	14	590741	Locking Tab	1
8	590618A	Pulley & Rewind Spring Ass'y	1				

Lawn-Boy Part Number Index

Part No.	Description	Pg. Ref.			Part No.	Description	Pg. Ref.		
		No.	No.	Qty.			No.	No.	Qty.
*	Bag Assembly	5	6	1	92-1630	Fan - Mulching	3	13	1
603164	Nut - Blade	3	14	1	92-1701	Stop - Rope	3	4	1
607560	Plate - Cover	2	6	1	92-2914	Decal - H.O.C.	2	2	2
612543	Blade - 21	3	12	1	92-2915	Decal - H.O.C.	2	1	2
613455	Wide Hanger	5	8	1	92-2919	Decal - Danger	5	9	1
613462	Hanger Clamp	5	7	2	92-4851	Decal - Oil Instruction	3	15	1
613765	Nut - Cage	1	11	1	92-4852	Screw - Recoil Cover	3	6	4
614243	Knob	4	2	2	92-4853	Handle - Starter	4	8	1
614589	Nut - Cap	5	2	1	92-4854	Cover - Starter	3	7	1
614591	Chute Support	5	3	1	92-4881	Plate - Height Adjustment	1	14	2
614637	Bracket - Wheel Height Adj.	1	17	4	92-4890	Washer - Flat	1	15	4
614643	Handle - Lower	4	13	1	92-5412	Stop - Pivot	4	4	1
614650	Bolt - Shoulder	1	1	2	92-5424	Staple - Handle	4	14	1
614672	Bolt - Shoulder Height Adj.	1	21	4	92-7731	Plate - Baffle	1	16	2
614677	Screw - Sems Thr'd Form	1	9	2	92-7742	Bracket - Handle R.H.	1	6	1
614682	Knob - Cover Plate	1	7	1	92-7743	Bracket - Handle L.H.	1	4	1
614687	Spring Arm Assembly -	1	22	2	92-8630	Plate - Mulch 21	1	8	1
614697	Screw - Handle	4	1	2	92-8647	Shield - Trailing	2	11	1
614700	Tie Strap	5	5	1	92-9589	Cable - Brake	4	12	1
677525	Plate & Collar Assembly	3	1	1	93-3653	Guard - Handle	4	22	1
684727	Adaptor Assembly	5	4	1	93-4184	Bail - Flywheel Brake	4	6	1
684729	Chute & Support Assembly	5	1	1	93-7250	Decal - Warning	2	3	1
684776	Wheel & Tire Assembly - 6	1	19	2	93-7383	Guide - Rope	4	10	1
684777	Wheel & Tire Assembly - 8	1	2	2	94-1610	Grommet - Plastic	1	10	2
16-4359	Housing & Baffle Assembly	1	5	1	94-6088	Shroud - Engine	3	8	1
39-5770	Decal - Danger	2	7	1	95-1713	Handle - Upper	4	7	1
40-1940	Washer	1	18	4	95-1726	Screw - Engine	3	2	3
65-2690	Decal - Warning	3	10	1	95-1745	Decal - Shroud Top	3	5	1
92-1005	Spring Arm Assembly -	1	3	2	321-49	Screw - Hex Hd. Cap	4	9	1
92-1008	Knob - Height Adjust	1	23	4	322-3	Screw - Hex Hd. Cap	2	12	4
92-1045	Cable - Throttle	4	11	1	3274-52	Screw - Hex Socket Hd.	3	9	2
92-1097	Decal - Discharge	2	8	1	3296-29	Nut - Lock	2	10	4
92-1099	Bolt - Shoulder	1	20	2	3296-39	Nut - Lock	1	24	2
92-1605	Guard - Muffler	3	11	1	3296-73	Nut - Lock	4	3	1

*Not Illustrated

