

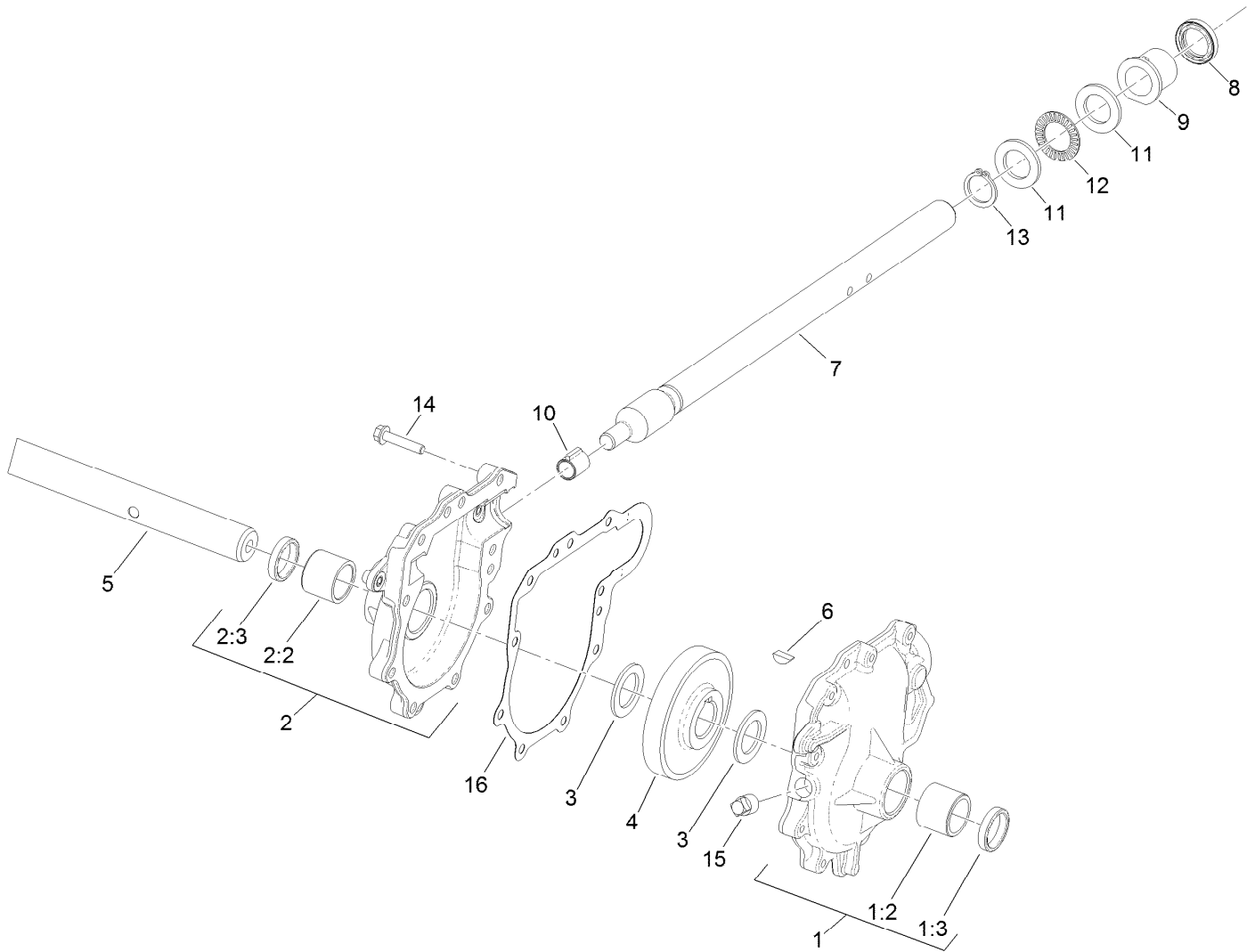


**Count on it.**

**Parts Catalog**

**28in Gear Case**  
**Power Max Snowthrower**  
Model No. 125-7926





## 28 Inch Auger Gearcase Assembly No. 125-7926

<i>Ref.</i>	<i>Part Number</i>	<i>Qty.</i>	<i>Description</i>	<i>Ref.</i>	<i>Part Number</i>	<i>Qty.</i>	<i>Description</i>
1	108-7325	1	LH Auger Gearcase ASM	7	66-7811	1	Shaft-Impeller
1:2	112-6635	1	Bushing-Sleeve	8	253-149	1	Seal-Oil
1:3	7-0045	1	Seal-Oil	9	37-6560	1	Bushing-Input
2	108-7327	1	RH Auger Gearcase ASM	10	62-1150	1	Bushing-Worm
2:2	112-6635	1	Bushing-Sleeve	11	252-78	2	Washer-Thrust
2:3	7-0045	1	Seal-Oil	12	252-76	1	Bearing-Thrust
3	252-71	2	Washer-Thrust	13	32151-33	1	Ring-Retaining, Ext
4	62-0120	1	Gear-Helical	14	108-4862	9	Screw-HWHTF
5	106-4421	1	Shaft-Auger	15	121-6832	1	Plug-Pipe, SQH
6	3257-10	1	Key-Woodruff	16	108-7330	1	Gasket-Gearcase, Auger