



**Count on it.**

**Parts Catalog**

**Workman® MDE Utility Vehicle**

Model No. 07299TC—Serial No. 312000001 and Up



# Ordering Replacement Parts

To order replacement parts, please supply the part number, the quantity, and the description of each part desired.

## Understanding Reference Numbers

Each identified part in an illustration has a reference number. The reference number for a part also appears in the parts list, along with other information about the part.

This catalog uses two special reference number formats, one to indicate parts in a service assembly and another to indicate the quantity of a given part in an illustration.

## Service Assembly Reference Numbers

Parts in service assemblies have reference numbers in the form a:b. The a represents the reference number of the entire service assembly and the b represents a sequential number unique to each part within the service assembly.

For example, a wheel assembly might be identified by reference number 6, the tire by 6:1, the valve by 6:2, and the wheel by 6:3. When you order the assembly identified by reference number 6, you receive all parts identified by reference numbers 6:1, 6:2, and 6:3. However, you may also order any part individually. Reference numbers of this type appear in illustration and in parts lists.

## Reference Numbers Indicating Quantity

In an illustration, if a reference number indicates more than one part, the reference number has the form nX y. The n represents the quantity of the part, the X is the multiplication symbol, and the y represents the reference number.

For example, in an illustration, the reference number 2X 37 means that two of the parts identified by reference number 37 are indicated.

# List of Abbreviations

**AR:** as required

**ASM:** assembly

**BBC:** blade brake control

**BHTF:** button head thread forming

**CARR:** carriage

**CCW:** counter clockwise

**CW:** clockwise

**DEG:** degrees

**DPA:** Dual Point Adjustment

**ECM:** electronic control module

**EXT:** external

**FH:** flat head

**GA:** gauge

**HD:** heavy-duty

**HF:** hex flange

**HH:** hex head

**HHF:** hex head flange

**HHFTF:** hex head flange thread forming

**HJ:** hex jam

**HLH:** hex lag head

**HOC:** height-of-cut

**HSBH:** hex socket button head

**HSFH:** hex socket flat head

**HSH:** hex socket head

**HWH:** hex washer head

**HWHTF:** hex washer head thread forming

**HYD:** hydraulic

**LH:** left hand

**LP:** Liquefied Petroleum Gas

**LPG:** Liquefied Petroleum Gas

**NI:** nylon insert

**NPTF:** national pipe thread fine

**PFH:** phillips flat head

**PPH:** phillips pan head

**PPHTF:** phillips pan head thread forming

**PRH:** phillips round head

**PTH:** phillips truss head

**PTO:** power-take-off

**RH:** right hand

**ROPS:** roll-over protection system

**RRB:** rear roller brush

**SFH:** slotted fillister head

**SHH:** slotted hex head

**SHWH:** slotted hex washer head

**SPH:** slotted pan head

**SQH:** square head

**SRH:** slotted round head

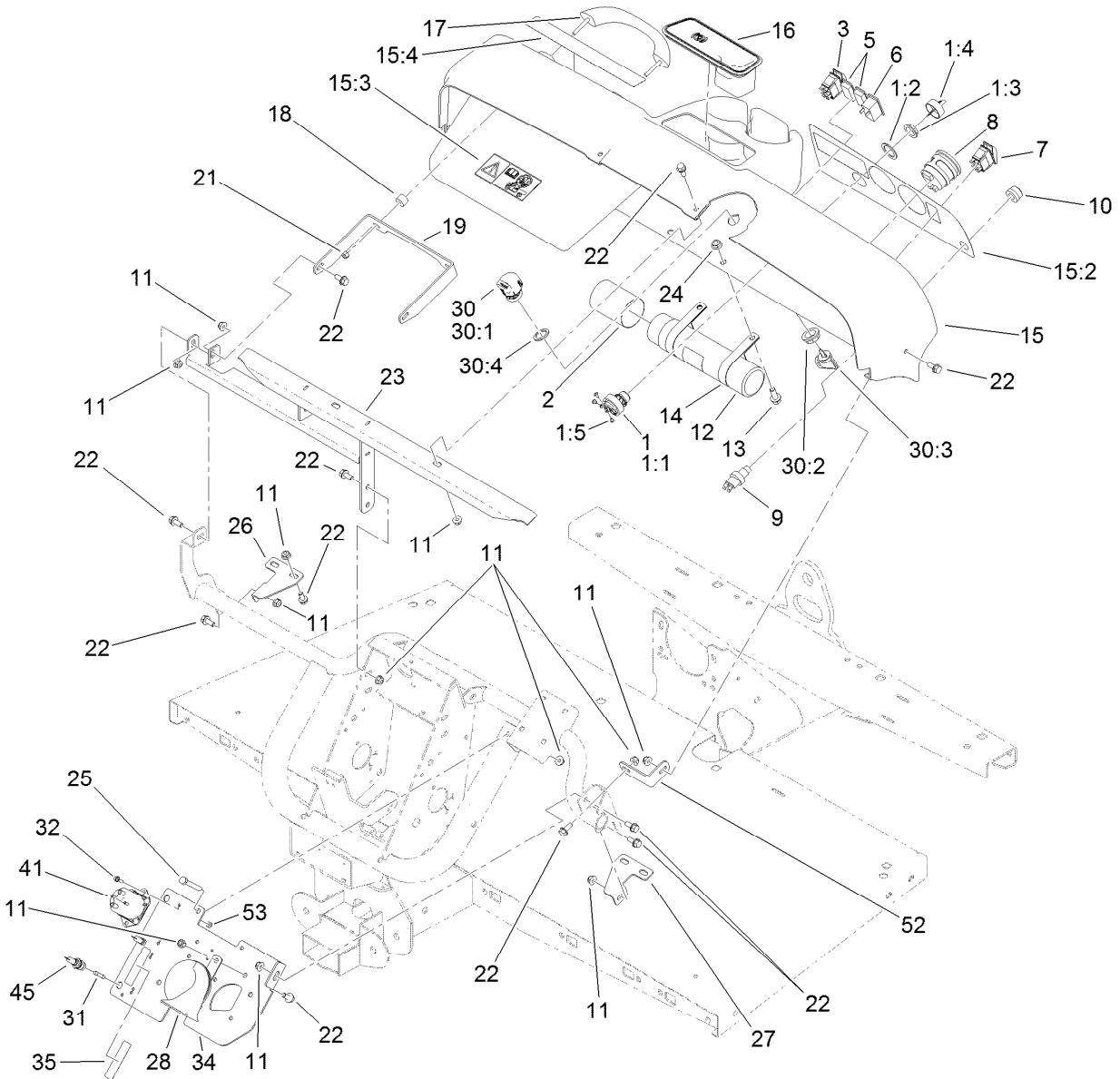
**STD:** standard

**TAP:** self tapping

**TTH:** torx truss head

# Contents

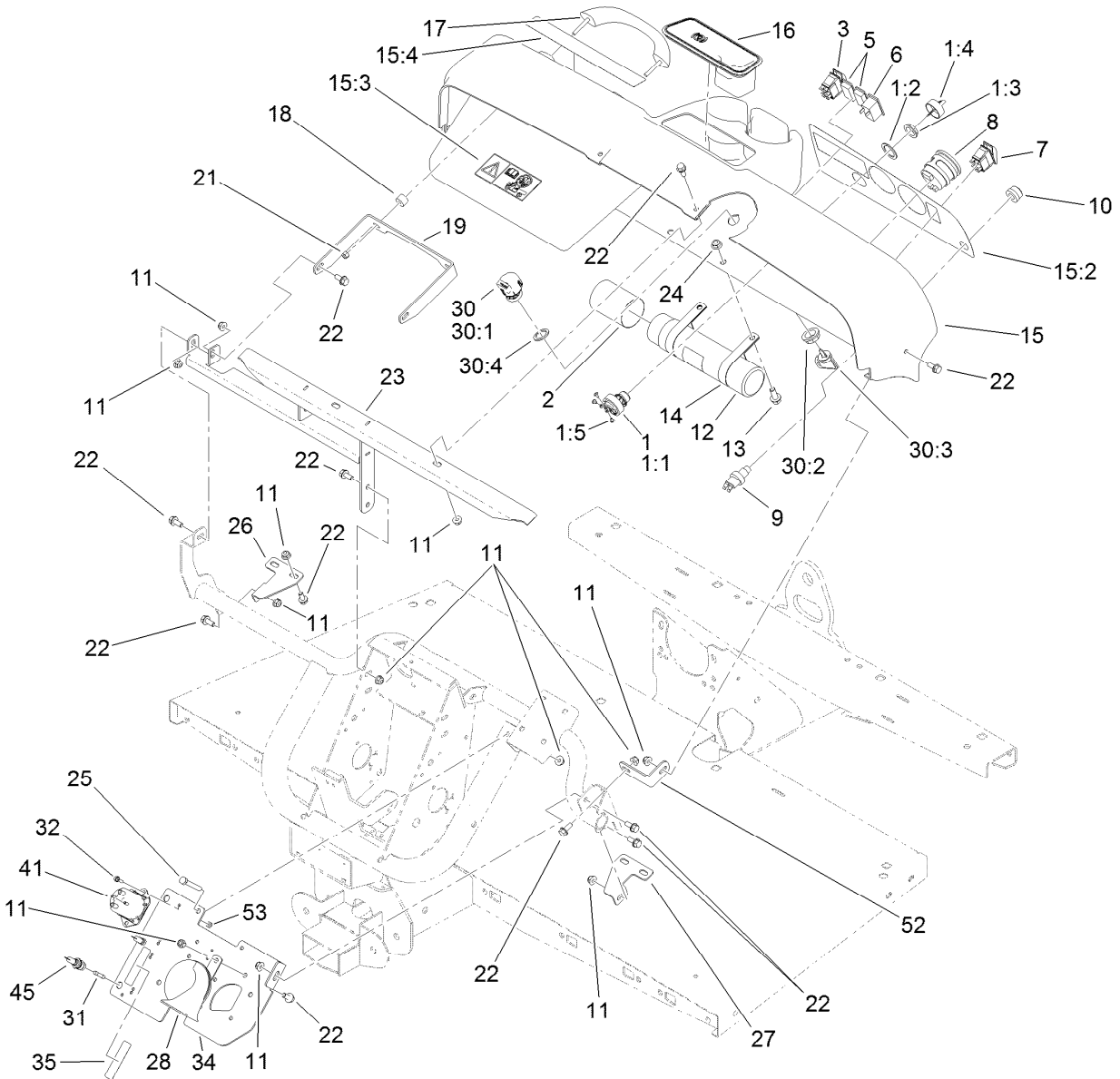
Dash Assembly .....	4
Solenoid Assembly No. 104-7135 .....	6
Pedal Box Assembly .....	7
Master Cylinder and Brake Line Assembly .....	8
Master Cylinder Assembly No. 104-6782 .....	9
Frame Assembly .....	10
Seat Base Assembly .....	11
Offboard 48 Volt Charger Assembly No. 112-2914 .....	12
Front Tire, Spindle and Tie Rod Assembly .....	13
Brake Caliper Assembly No. 119-9535 .....	15
Controller Assembly .....	16
Battery and Transaxle Assembly .....	17
Electric Motor Assembly No. 104-7335 .....	18
Electric Transaxle Assembly No. 114-8330 .....	19
LH Rear Brake Assembly No. 114-8332 .....	21
RH Rear Brake Assembly No. 114-8331 .....	22
Upper Steering Assembly .....	23
Steering Box Assembly No. 112-3130 .....	24
Cargo Bed and Tailgate Installation Assembly .....	25
Cargo Bed Service Assembly No. 119-9710 .....	26
Cargo Bed and Tailgate Assembly .....	27
Hood and Fender Assembly .....	28
Attachments and Accessories .....	29



## Dash Assembly

Ref.	Part Number	Qty.	Description	Ref.	Part Number	Qty.	Description
1	120-4815	1	Switch-Key, 48V	14	2412-133	2	R-Clamp
1:1		1	Switch-Key ●	15	114-8311	1	Dash ASM
1:2	108-8659	1	Washer-Backup	15:2	112-3310	1	Decal-Dash, Ce
1:3	108-8660	1	Nut-Mounting	15:3	104-7215	1	Decal-Danger
1:4	106-5270	1	Ignition Key Set	15:4	115-2412	1	Decal-No Storage
1:5	3250-28	3	Screw	16	104-6930	1	Plug-Rubber
2	104-7048	1	Cap-Housing	17	112-3320	1	Handle-Grip
3	107-0255	1	Switch	18	114-8301	2	Spacer
5	99-7420	2	Plug-Hole	19	112-3391-03	1	Bracket-Grip, Handle
6	104-7129	1	Light-Indicator	21	104-7201	2	Nut-HF
7	107-0747	1	Switch-Rocker	22	110-5053	16	Screw-HHF
8	107-0260	1	Gauge-Hour/Battery Level, 48 Volt	23	115-7651-03	1	Support-Dash
9	112-3324	1	Switch-Horn	24	104-8301	2	Nut-Flange, NI
10	112-3313	1	Nut-Weatherproof	25	322-11	2	Screw-HH
11	104-8300	19	Nut-Flange, NI	26	114-8304	1	Bracket-Dash Mount, RH
12	104-7050	1	Tube-Manual	27	114-8312	1	Bracket-Dash Mount, LH
13	3234-11	2	Screw-HHF	28	107-0358	1	Horn
				30	110-2580	1	Switch-Key, Supervisor

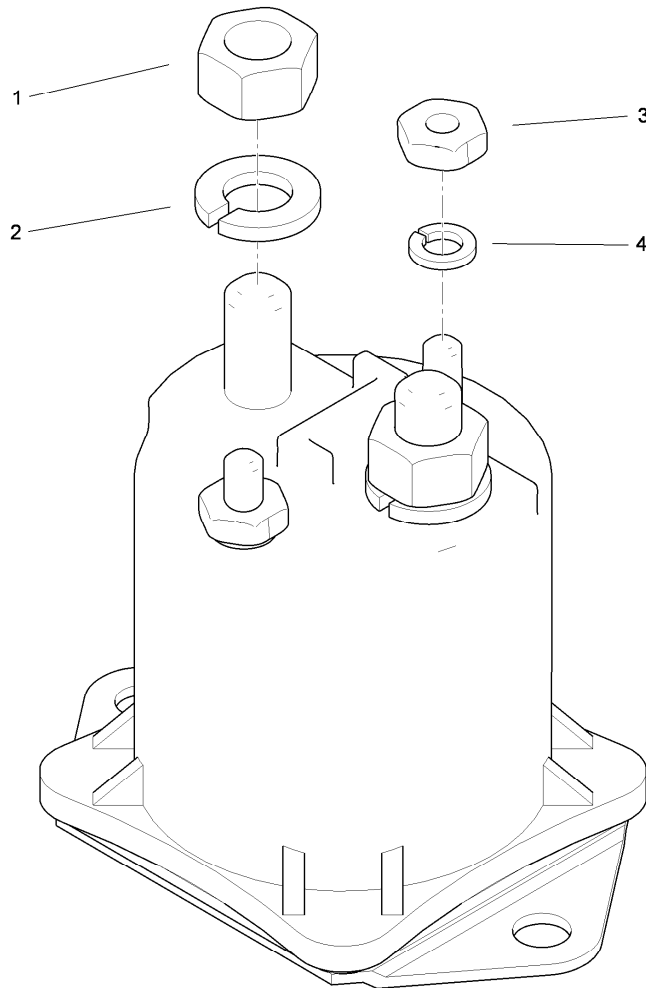
● Not serviced separately



## Dash Assembly (continued)

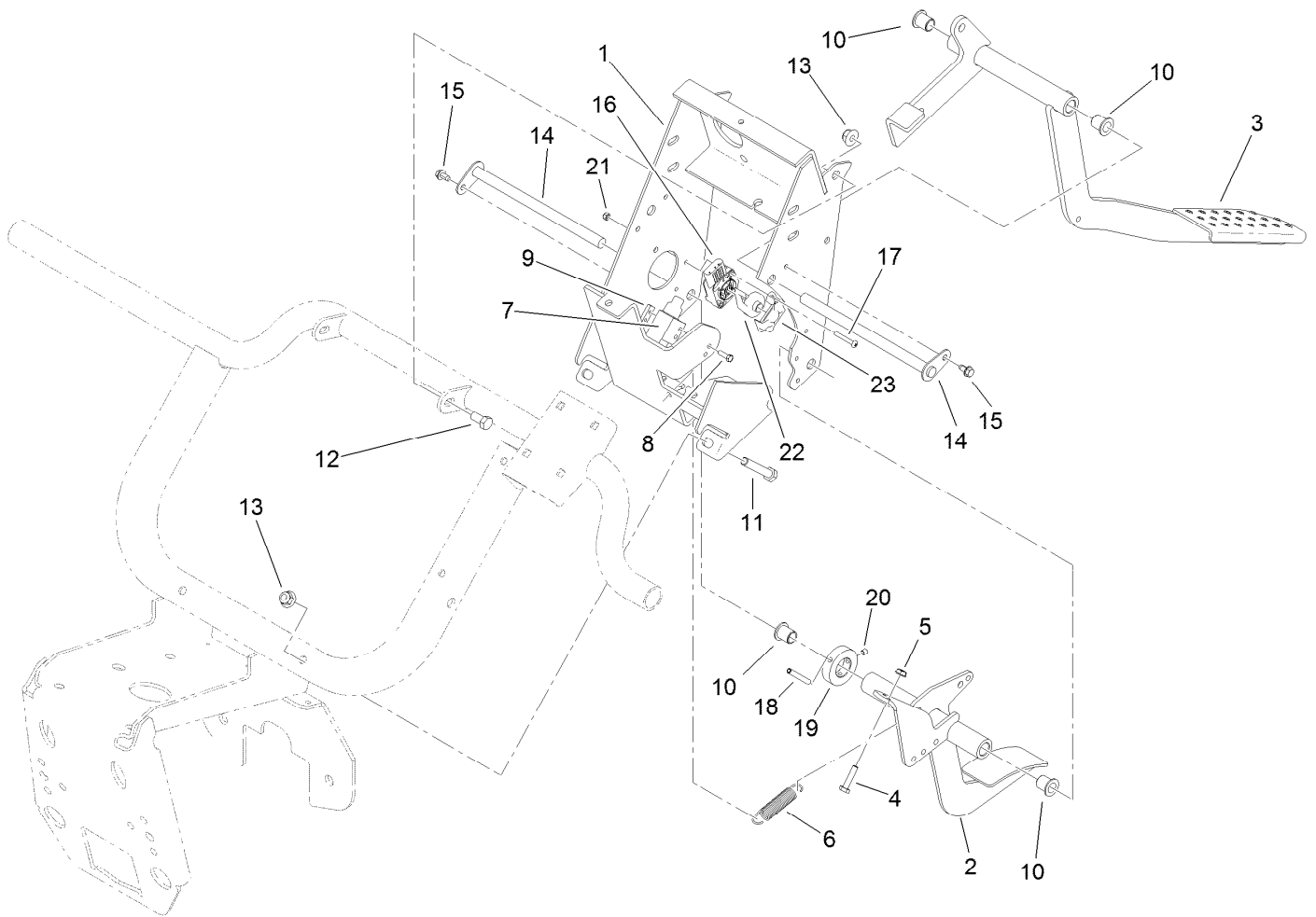
<i>Ref.</i>	<i>Part Number</i>	<i>Qty.</i>	<i>Description</i>	<i>Ref.</i>	<i>Part Number</i>	<i>Qty.</i>	<i>Description</i>
30:1		1	Switch-Key ●	34	112-3376-03	1	Plate-Mount, Electrical
30:2	108-8660	1	Nut-Mounting	35	115-7621	1	Decal-Electrical
30:3	110-5221	1	Set-Key, Supervisor	41	104-7135	1	Solenoid
30:4	108-8659	1	Washer-Backup	45	218-489	2	Holder-Fuse
31	98-8876	2	Fuse-10 Amp	52	114-8305	1	Angle-Mount, Dash (LH)
32	32105-13	2	Screw-HWH	53	3296-2	2	Nut-Lock, NI

● Not serviced separately



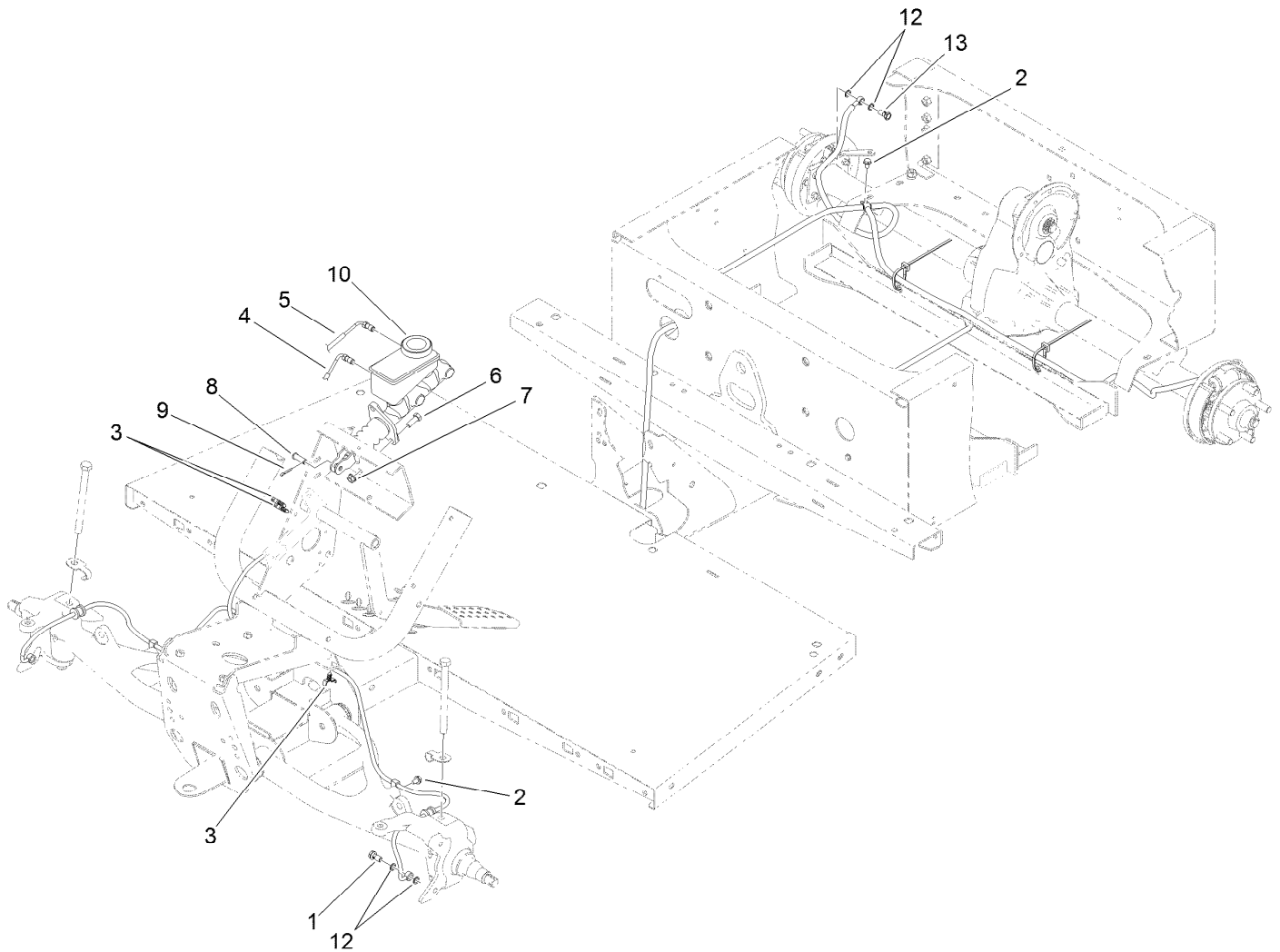
## Solenoid Assembly No. 104-7135

<i>Ref.</i>	<i>Part Number</i>	<i>Qty.</i>	<i>Description</i>
1	3217-6	2	Nut-Hex
2	3253-4	2	Washer-Lock
3	3219-14	2	Nut-Hex
4	3253-17	2	Washer-Lock



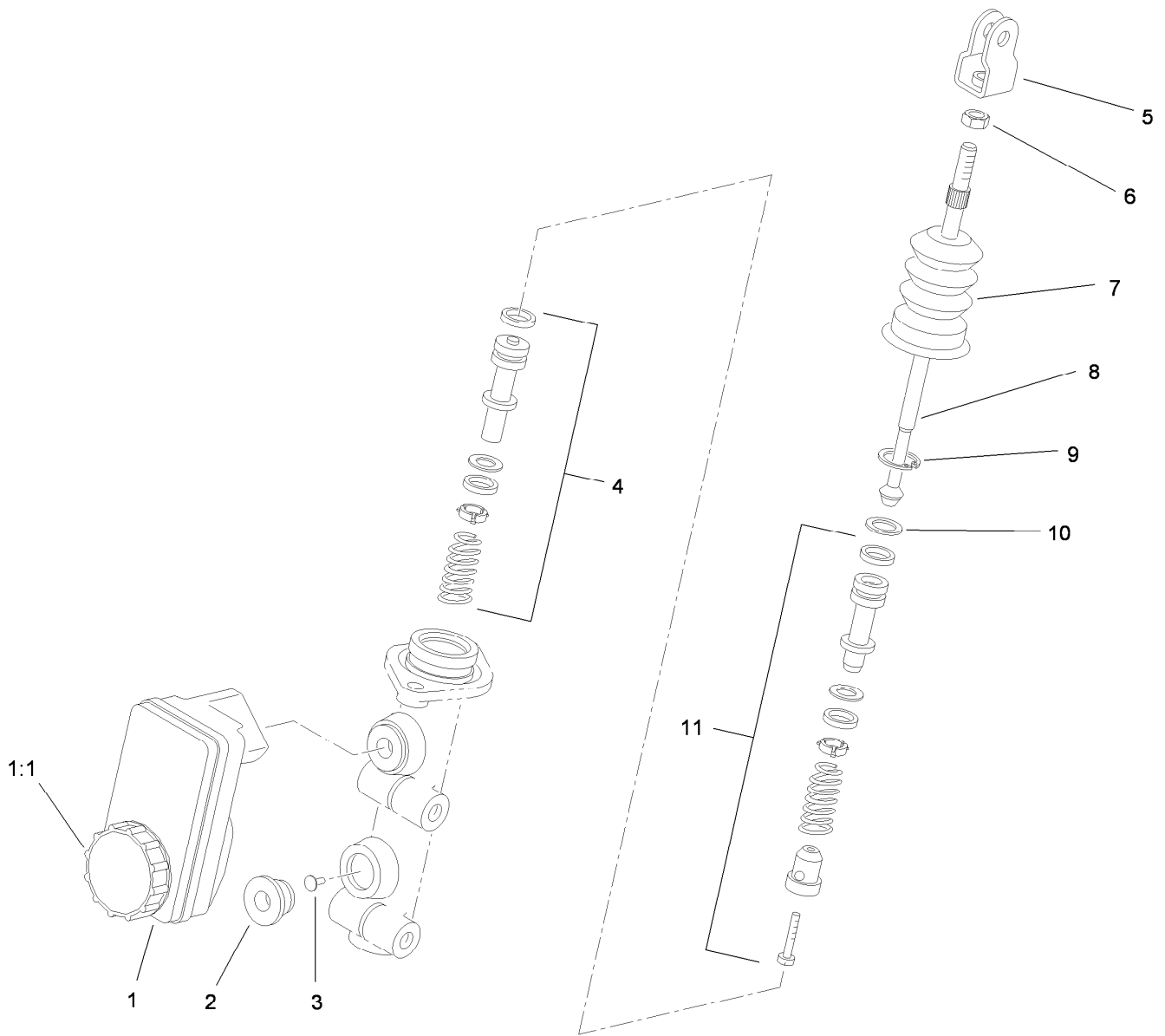
## Pedal Box Assembly

<i>Ref.</i>	<i>Part Number</i>	<i>Qty.</i>	<i>Description</i>	<i>Ref.</i>	<i>Part Number</i>	<i>Qty.</i>	<i>Description</i>
1	119-0748-03	1	Support-Pedal	13	104-8301	4	Nut-Flange, NI
2	119-9747-03	1	Pedal-Throttle	14	104-7164	2	Pivot-Pedal
3	112-3314-03	1	Pedal-Brake	15	12-3270	2	Screw
4	321-7	2	Screw-HH	16	119-0737	1	Sensor-Position
5	32149-2	2	Nut-Keps	17	104-1452	2	Screw-PPH
6	104-6415	1	Spring-Return, Pedal	18	117-5071	1	Pin-Roll
7	99-7407	1	Switch	19	104-7301	1	Collar
8	3290-134	2	Screw	20	3245-32	2	Screw-HSH
9	1-633181	1	Plate-Tapped	21	3296-2	2	Nut-Lock, NI
10	256-155	4	Bushing-Flange	22	117-5059	1	Pivot-Sensor, Speed
11	323-11	2	Screw-HH	23	117-5061	1	Retainer
12	323-4	2	Screw-HH				



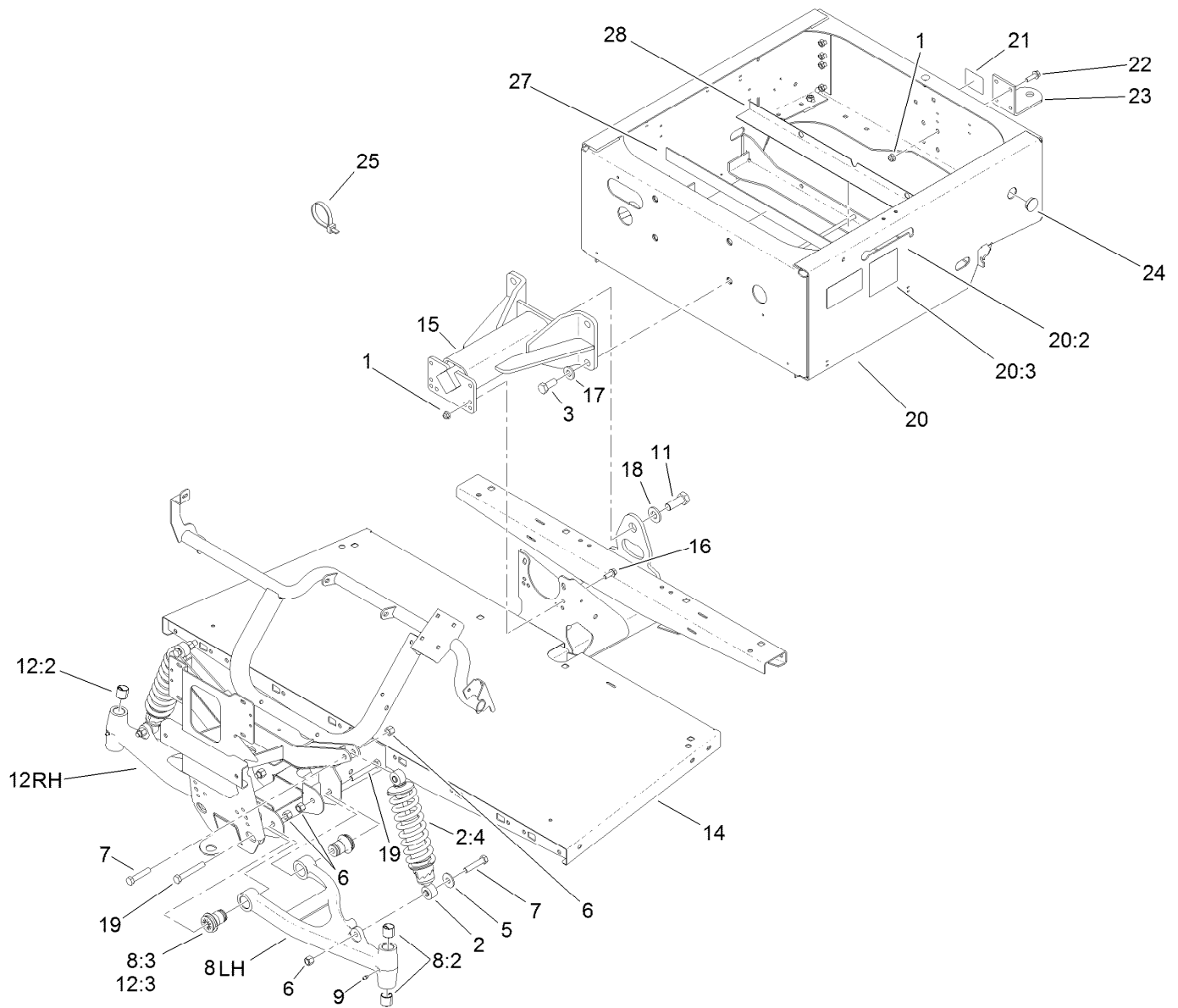
## Master Cylinder and Brake Line Assembly

<i>Ref.</i>	<i>Part Number</i>	<i>Qty.</i>	<i>Description</i>
1	120-4875	2	Bolt-Flange, Banjo
2	32104-82	3	Screw-HHF
3	114-8324	4	Clip-Line, Brake
4	119-9683	1	Front Brake Line ASM
5	115-2409	1	Rear Brake Line ASM
6	323-6	2	Screw-HH
7	3290-357	2	Nut-HHF, Whiz
8	283-2	1	Pin-Clevis
9	3272-10	1	Pin-Cotter
10	104-6782	1	Master Cylinder ASM
12	115-2341	8	Washer-Banjo
13	115-2340	2	Bolt-Banjo



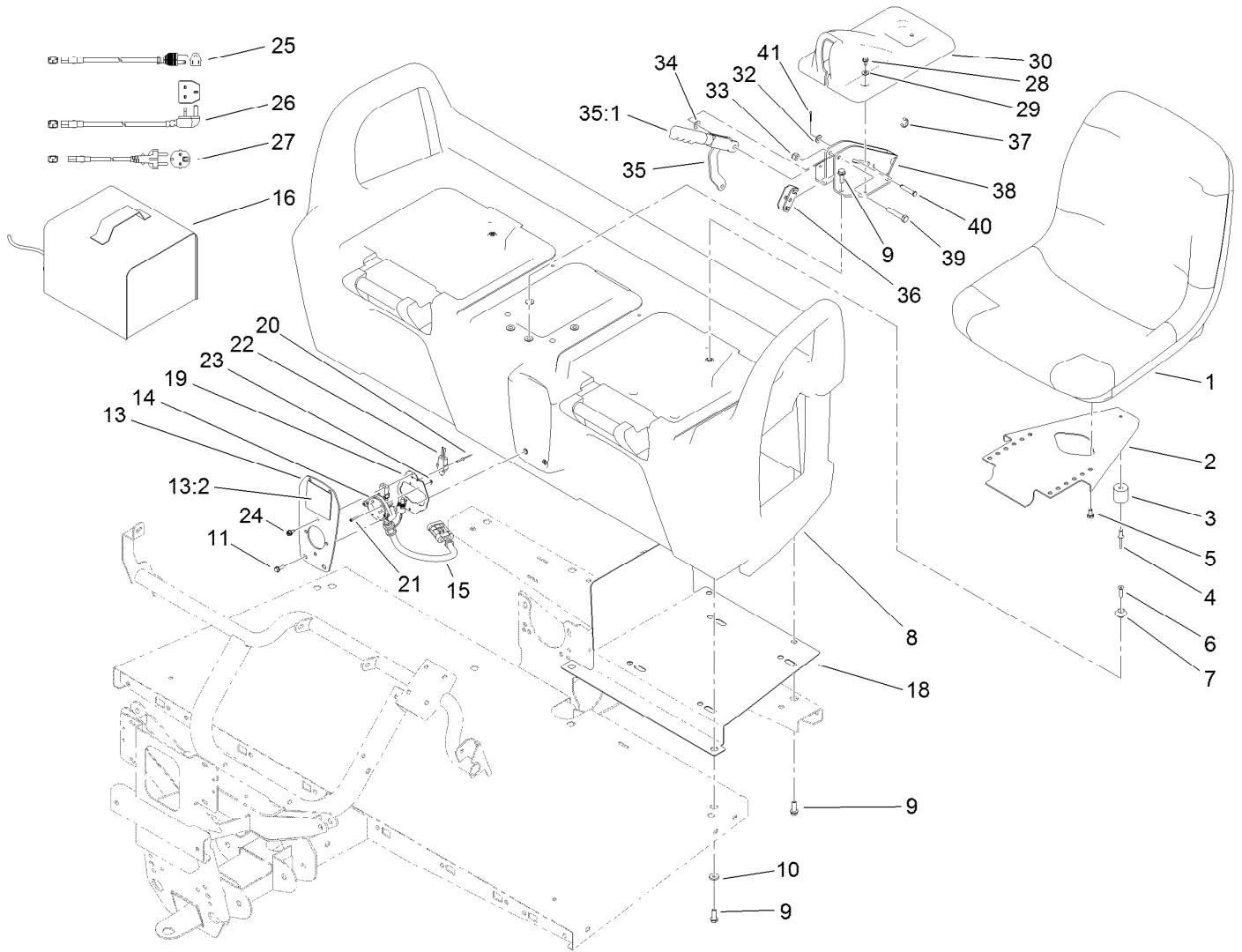
## Master Cylinder Assembly No. 104-6782

Ref.	Part Number	Qty.	Description
1	104-6845	1	Reservoir ASM
1:1	92-4112	1	Cap ASM
2	93-8971	2	Seal-Port, Flange
3	92-4103	1	Pin-Stop
4	92-4102	1	Secondary Piston ASM
5	92-4110	1	Clevis
6	21-0360	1	Nut-Hex
7	94-5209	1	Cover-Dust
8	94-5210	1	Rod-Push
9	92-4109	1	Ring-Snap
10	92-4108	1	Retainer-Washer
11	92-4101	1	Primary Piston ASM



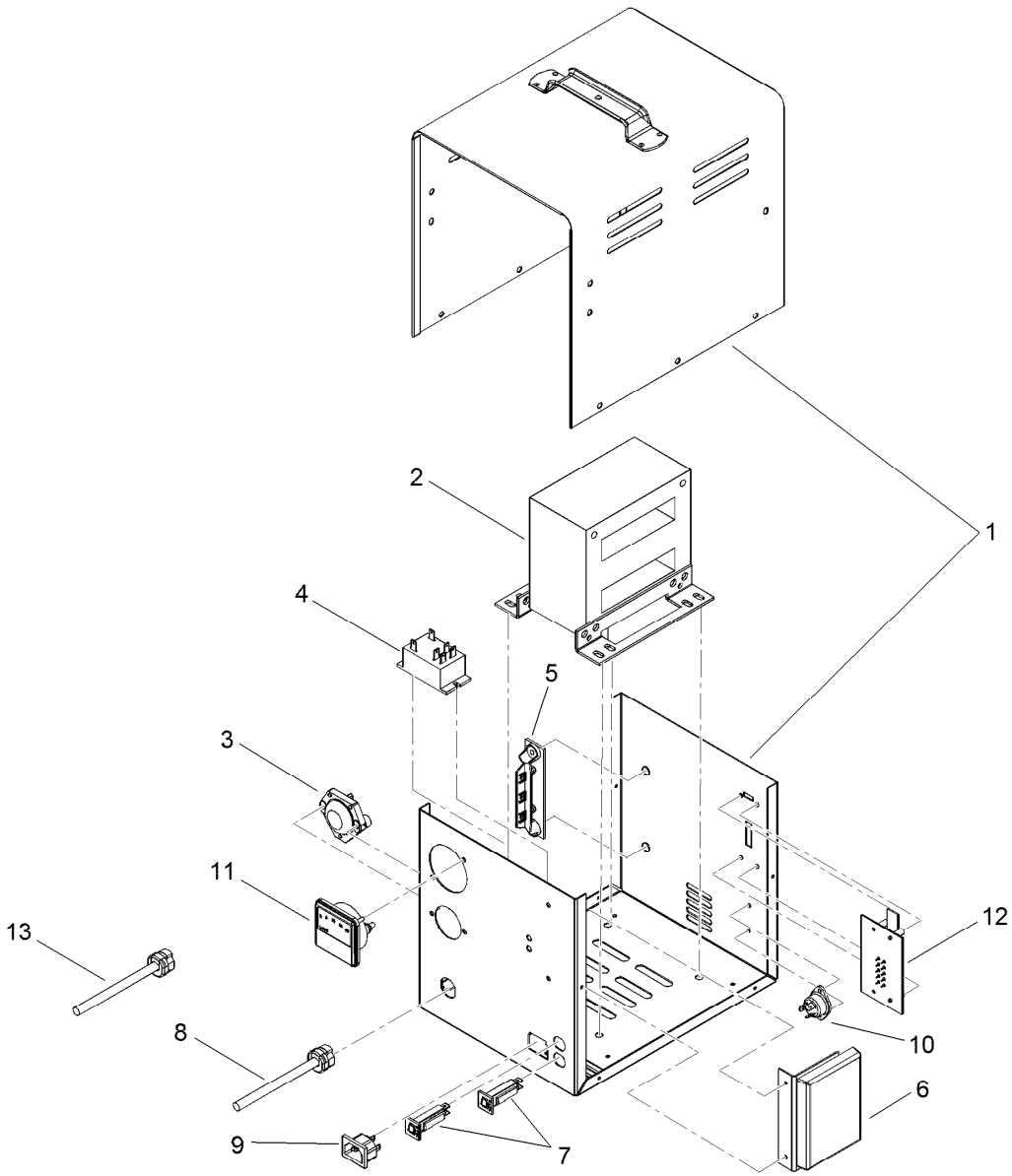
## Frame Assembly

Ref.	Part Number	Qty.	Description	Ref.	Part Number	Qty.	Description
1	104-8301	8	Nut-Flange, NI	15	99-7700	1	Pivot Yoke ASM
2	112-2975	2	Shock/Spring ASM	16	3234-11	4	Screw-HHF
2:4	112-3383	1	Spring	17	99-7667	4	Washer-Flat
3	327-4	4	Screw-HH	18	87-3060	1	Washer-Hardened
5	51-3500	2	Washer	19	325-14	4	Screw-HH
6	3296-23	8	Nut-Lock, NI	20	119-9631	1	Rear Frame ASM
7	325-10	4	Screw-HH	20:2	104-7207	2	Decal-Electric
8	114-8313	1	LH A-Arm ASM	20:3	107-0257	1	Decal-Polarity
8:2	3-0348	2	Bushing	21	99-7350	1	Decal-Rating, Hitch (Light Duty)
8:3	87-1450	2	Bushing-Flange	22	3234-24	4	Screw-HHF
9	302-5	2	Fitting-Grease	23	99-7654-03	1	Hitch-Duty, Light
11	328-24	1	Screw-HH	24	94-1402	1	Plug-Hole
12	114-8314	1	RH A-Arm ASM	25	3290-379	15	Tie-Cable
12:2	3-0348	2	Bushing	27	107-0252	1	Pad-Battery
12:3	87-1450	2	Bushing-Flange	28	107-0267	4	Isolator-Battery
14	112-3340-03	1	Frame-Front				



## Seat Base Assembly

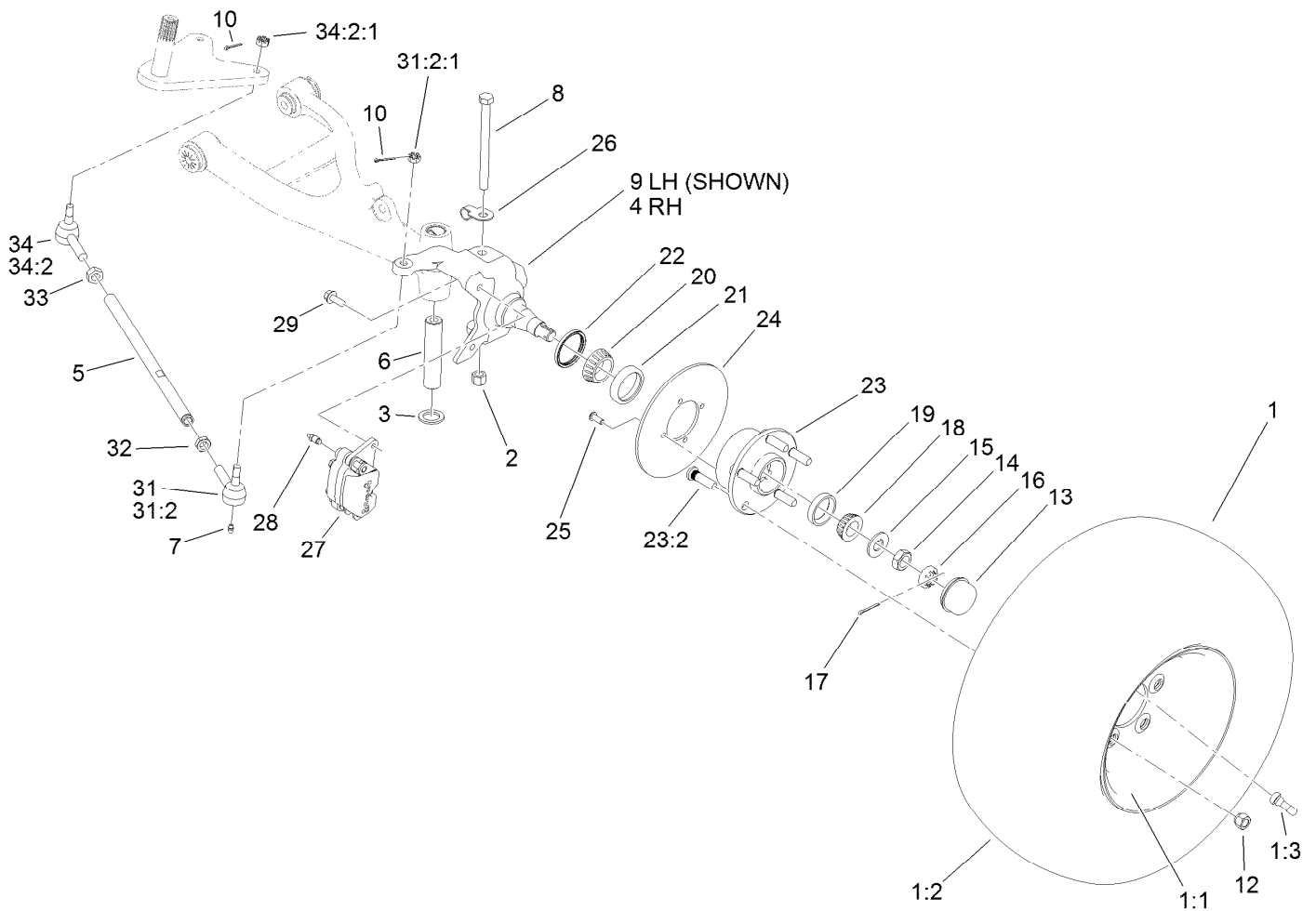
Ref.	Part Number	Qty.	Description	Ref.	Part Number	Qty.	Description
1	112-2923	2	Seat ASM	22	99-3410	1	Switch
2	99-7829	2	Bracket-Seat	23	3296-9	2	Nut-Lock
3	99-7830	2	Rubber Receptical ASM	24	32104-17	4	Screw-HWH
4	3290-412	2	Rivet	25	107-0384	1	Powercord-Ac
5	33114-016	8	Screw-HH	26	107-0383	1	Powercord-Ac, U.K.
6	32108-5	2	Screw-FH	27	107-0382	1	Powercord-Ac, Europe
7	99-7833	2	Post-Holding	28	12-3270	2	Screw
8	104-6847	1	Seat Base ASM	29	3256-1	2	Washer-Flat
9	3234-17	12	Screw-HHF	30	104-7014	1	Cover-Brake, Parking
10	88-7200	8	Washer-Flat	32	3256-23	1	Washer-Flat
11	32105-15	4	Screw-HWH	33	3296-39	1	Nut-Lock, NI
13	107-0370	1	Plate-Receptacle	34	3290-477	1	Washer-Curved
13:2	107-0295	1	Decal-Charger	35	104-6842	1	Lever-Brake, Park
14	107-0288	1	Receptacle-Charger	35:1	106-7972	1	Grip-Handle
15	115-1913	1	Harness-Wire, Charger	36	87-3480	1	Bracket-Equalizer, Cable
16	112-2914	1	Charger-48V, Offboard	37	32120-47	2	Ring-Retaining, External
18	107-0359-03	1	Tray-Seatbase	38	104-6844-03	1	Support-Brake, Park
19	107-0716	1	Bracket-Mount, Socket	39	323-10	1	Screw-HH
20	107-0333	2	Rivet-Pop	40	94-3829	1	Pin-Clevis
21	107-0334	2	Screw-HSH	41	3272-6	1	Pin-Cotter



## Offboard 48 Volt Charger Assembly No. 112-2914

Ref.	Part Number	Qty.	Description
1		1	Case ASM ●
2		1	Transformer ASM ●
3	108-1161	1	Fuse ASM
4	108-1170	1	Relay, 48V Dc
5	108-1163	1	Diode ASM
6	112-2913	1	Control Board ASM
7	110-2577	2	Breaker-Circuit
8	108-1173	1	Kit-Cordset
9	108-1174	1	Connector-Inlet
10	108-1168	1	Terminal And Screw ASM
11	108-1175	1	Ammeter
12	110-2578	1	Switch ASM
13	108-3071	1	Kit-Cordset, 20 Foot (Dc)

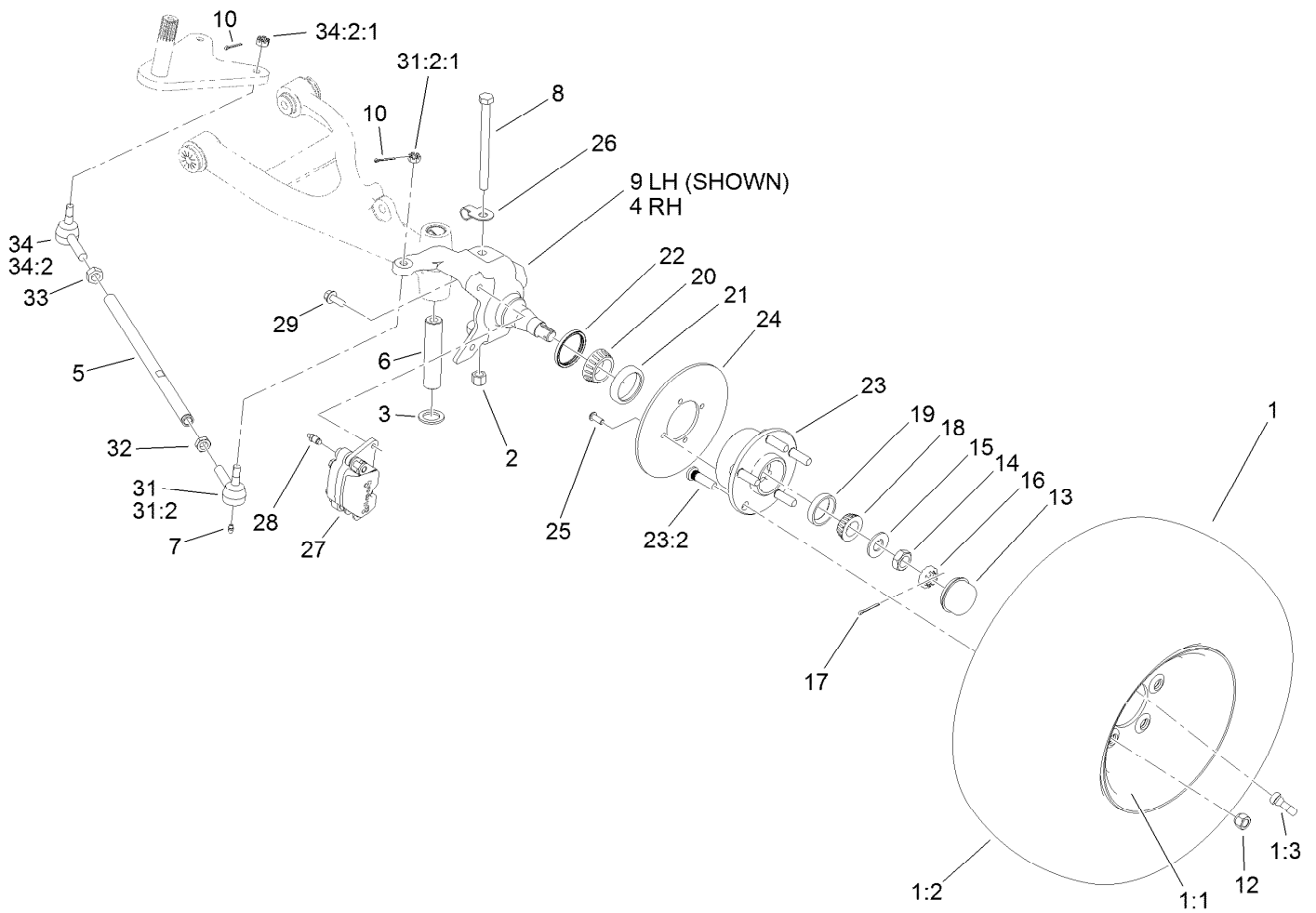
● Not serviced separately



## Front Tire, Spindle and Tie Rod Assembly

Ref.	Part Number	Qty.	Description	Ref.	Part Number	Qty.	Description
1	120-5025	2	Tire And Wheel ASM	17	3272-12	2	Pin-Cotter
1:1	120-4974	1	Wheel	18	254-94	2	Bearing-Cone, Tapered
1:2	104-7289	1	Tire	19	254-72	2	Bearing-Cup, Tapered
1:3	232-27	1	Stem-Valve	20	254-106	2	Cone-Bearing, Tapered
2	3296-23	2	Nut-Lock, NI	21	254-107	2	Cup-Bearing, Tapered
3	256-115	2	Washer-Thrust	22	108-7019	2	Seal-Shaft
4	119-9522	1	Spindle-RH	23	117-8071	2	Hub ASM
5	115-7654	2	Tie Rod	23:2	10-6830	5	Stud-Type, Drive
6	99-7499	2	Sleeve-Kingpin	24	119-9520	2	Rotor
7	302-5	4	Fitting-Grease	25	3274-55	8	Screw-HSBH
8	325-20	2	Screw-HH	26	112-3311	2	Clip-Hose
9	119-9521	1	Spindle-LH	27	119-9535	2	Brake Caliper ASM
10	3272-7	4	Pin-Cotter	28	119-9509	2	Screw-Bleed
12	242-50	10	Nut-Lug	29	3234-11	4	Screw-HHF
13	241-119	2	Cap-Dust	31	112771-03	2	Joint-Ball, LH
14	3220-7	2	Nut-Jam	31:2		1	Joint-Ball, LH ●
15	93-0309	2	Washer-Tab	31:2:1	915031	1	Nut
16	93-0307	2	Nut-Lock, Retainer	32	3218-21	2	Nut-Jam

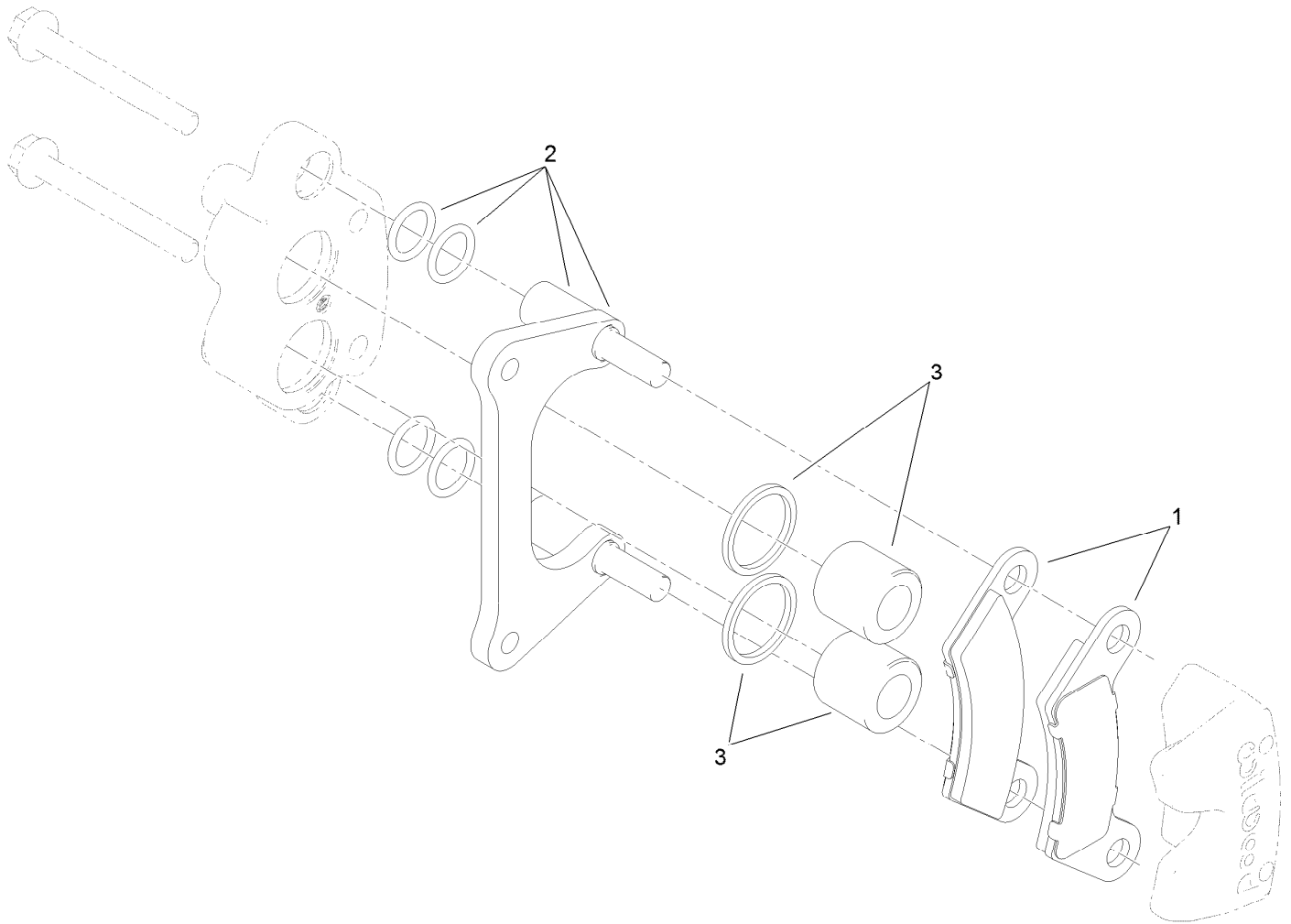
● Not serviced separately



## Front Tire, Spindle and Tie Rod Assembly (continued)

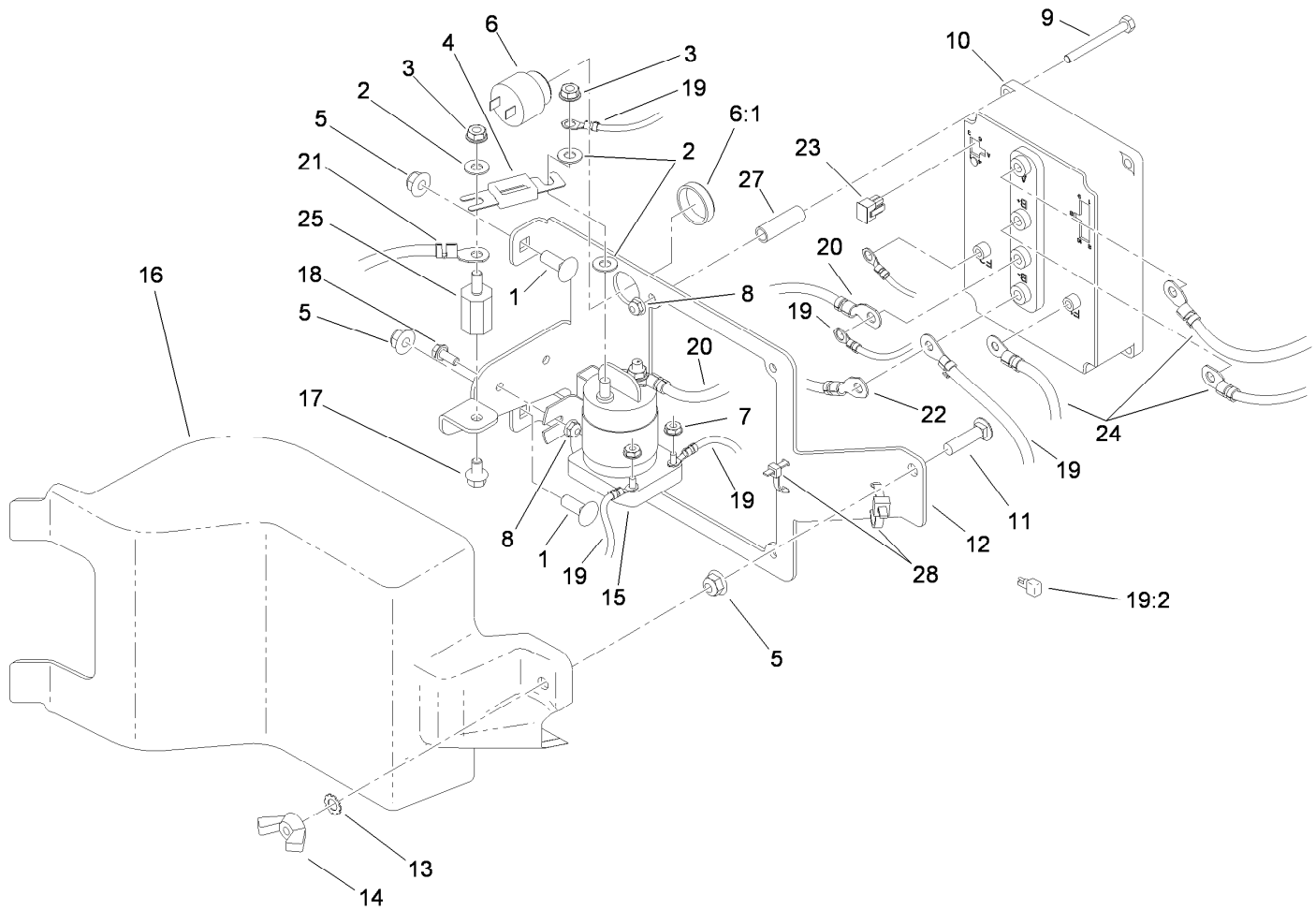
Ref.	Part Number	Qty.	Description	Ref.	Part Number	Qty.	Description
33	3220-11	2	Nut-Jam	34:2		1	Joint-Ball, RH ●
34	112772-03	2	Joint-Ball, RH	34:2:1	915031	1	Nut

● Not serviced separately



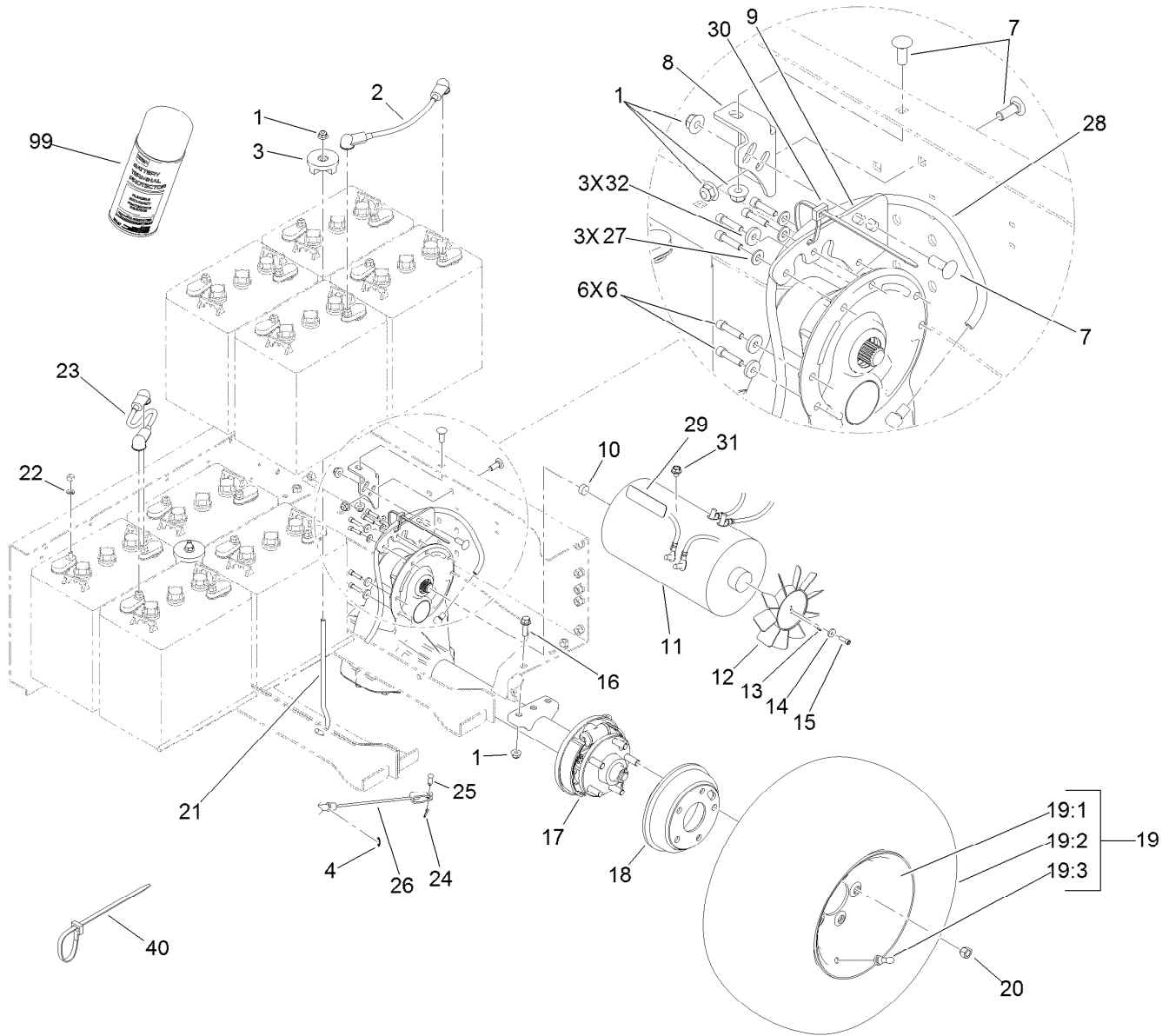
## Brake Caliper Assembly No. 119-9535

<i>Ref.</i>	<i>Part Number</i>	<i>Qty.</i>	<i>Description</i>
1	119-9510	1	Brake Pad Kit
2	119-9511	1	Bracket Kit
3	119-9512	1	Piston Kit



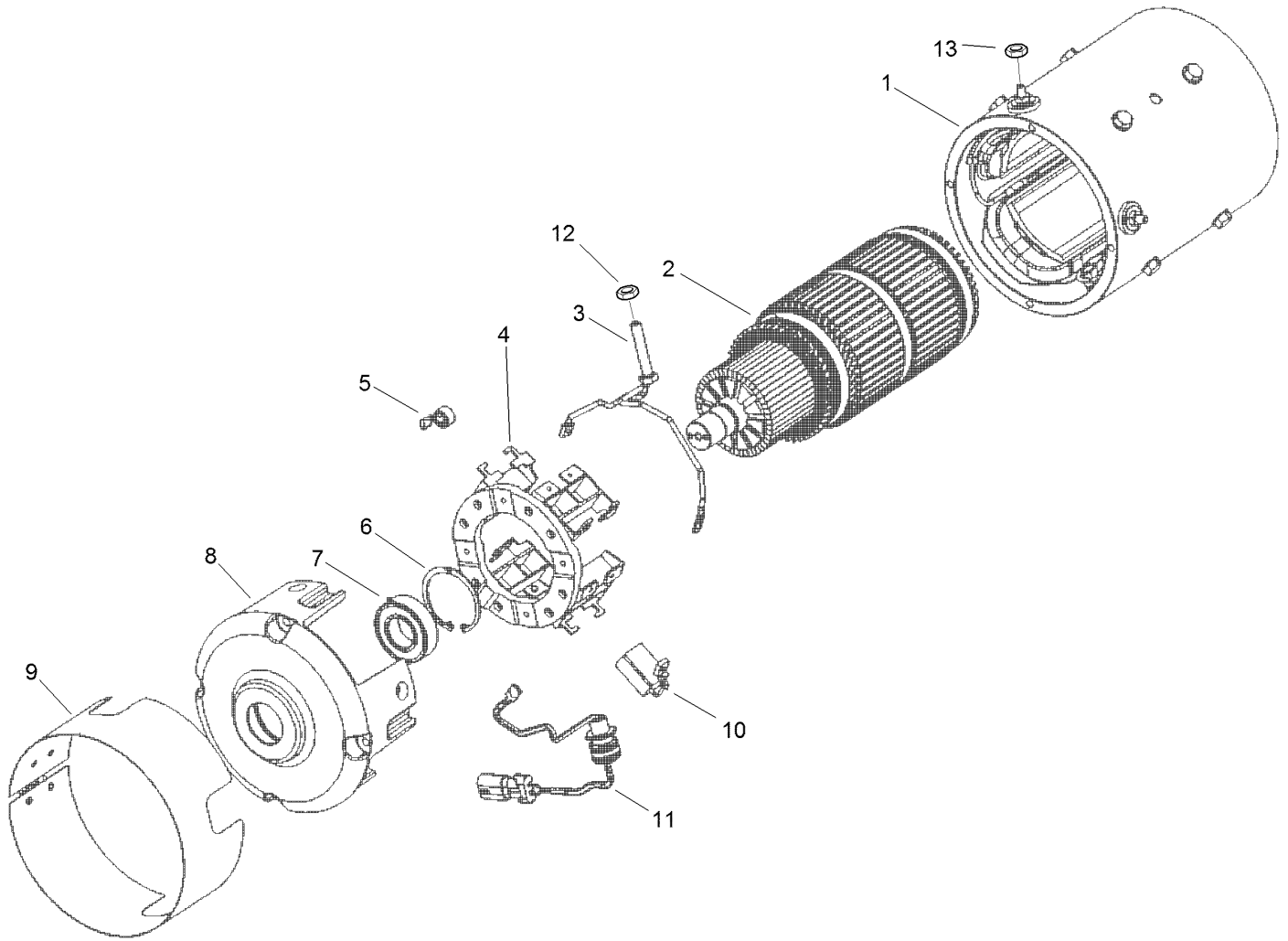
## Controller Assembly

<i>Ref.</i>	<i>Part Number</i>	<i>Qty.</i>	<i>Description</i>	<i>Ref.</i>	<i>Part Number</i>	<i>Qty.</i>	<i>Description</i>
1	3231-22	2	Screw-CARR	16	104-7138	1	Cover-Controller
2	107-0394	3	Washer-Flat	17	100-1719	1	Screw-Flange
3	107-0380	3	Nut-HHF	18	3234-33	2	Screw-HHF
4	104-7320	1	Fuse	19	117-4700	1	Harness-Wire, Mid Duty Elect
5	104-8301	3	Nut-Flange, NI	19:2	100-4918	1	Diode-Over Molded
6	94-5582	1	Alarm-Audio	20	107-0740	1	Cable-Battery, Positive
6:1	104-5107	1	Nut-Plastic, Knurled	21	107-0741	1	Cable-Battery, Positive
7	32149-8	2	Nut-Keps	22	107-0742	1	Cable-Battery, Negative
8	104-7201	6	Nut-HF	23	32160-130	1	Connector
9	321-15	4	Screw-HH	24	107-0737	1	Harness-Wire, Battery Cable
10	110-2569	1	Controller-Sevcon	25	107-0286	1	Isolator
11	3231-4	1	Screw-CARR	27	107-0285	4	Spacer
12	104-7137-03	1	Mount-Controller	28	3290-379	2	Tie-Cable
13	3255-9	1	Washer-Lock				
14	32103-3	1	Nut-Wing				
15	104-7136	1	Contactora-48V				



## Battery and Transaxle Assembly

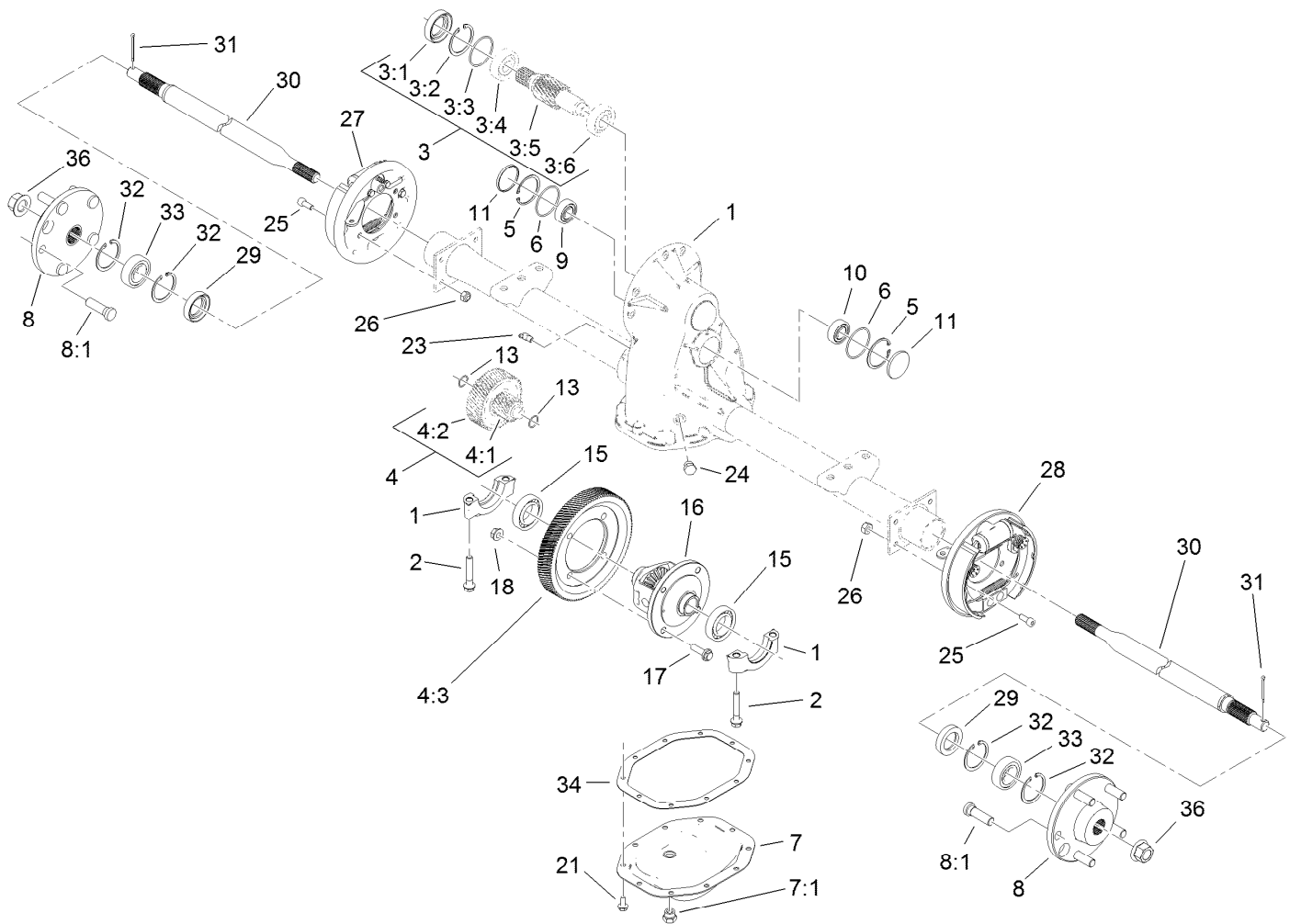
Ref.	Part Number	Qty.	Description	Ref.	Part Number	Qty.	Description
1	104-8301	11	Nut-Flange, NI	19:1	120-4974	1	Wheel
2	107-0739	1	Cable-Battery, Positive	19:2	104-7289	1	Tire
3	104-7149	2	Hold Down ASM	19:3	232-27	1	Stem-Valve
4	32120-47	2	Ring-Retaining, External	20	242-50	10	Nut-Lug
6	3274-26	6	Screw-HSH	21	104-7339	2	Rod-Battery
7	3231-22	5	Screw-CARR	22	107-0280	16	Washer-Lock
8	104-7249-03	1	Bracket-Support	23	107-0738	6	Cable-Battery, Positive
9	104-7305-03	1	Plate-Mount, Transaxle	24	3272-10	2	Pin-Cotter
10	112-3399	1	Damper-Rubber	25	283-62	2	Pin-Clevis
11	104-7335	1	Motor-Electric	26	110-2647	2	Cable-Brake, Park
12	107-0259	1	Fan-10 Blade, Clockwise	27	3256-22	3	Washer-Flat
13	32121-68	2	Pin-Roll	28	110-1872	1	Hose-Fuel
14	73-3580	1	Washer	29	107-0356	1	Decal-Motor
15	3274-8	1	Screw-HSH	30	3290-379	12	Tie-Cable
16	3234-24	4	Screw-HHF	31	107-0376	1	Screw-HHF
17	114-8330	1	Transaxle-Electric	32	73-3580	3	Washer
18	104-6500	2	Drum-Brake	40	3290-378	2	Tie-Cable
19	120-5025	2	Tire And Wheel ASM	99	107-0392	1	Protection-Terminal, Aerosol



## Electric Motor Assembly No. 104-7335

Ref.	Part Number	Qty.	Description
1		1	Frame And Field ASM ●
2		1	Armature ASM ●
3	108-1151	2	Brush Lead ASM
4	108-1152	1	Brush Box ASM
5	108-1153	8	Spring-Brush
6	108-1154	1	Ring-Retaining
7	108-1155	1	Bearing
8	108-1156	1	Head-Commutator
9	108-1157	1	Headband ASM
10	108-1158	8	Brush
11	108-1159	1	Thermal Sensor ASM
12	3218-13	2	Nut-Jam, Brass
13	3218-14	2	Nut-Jam, Brass

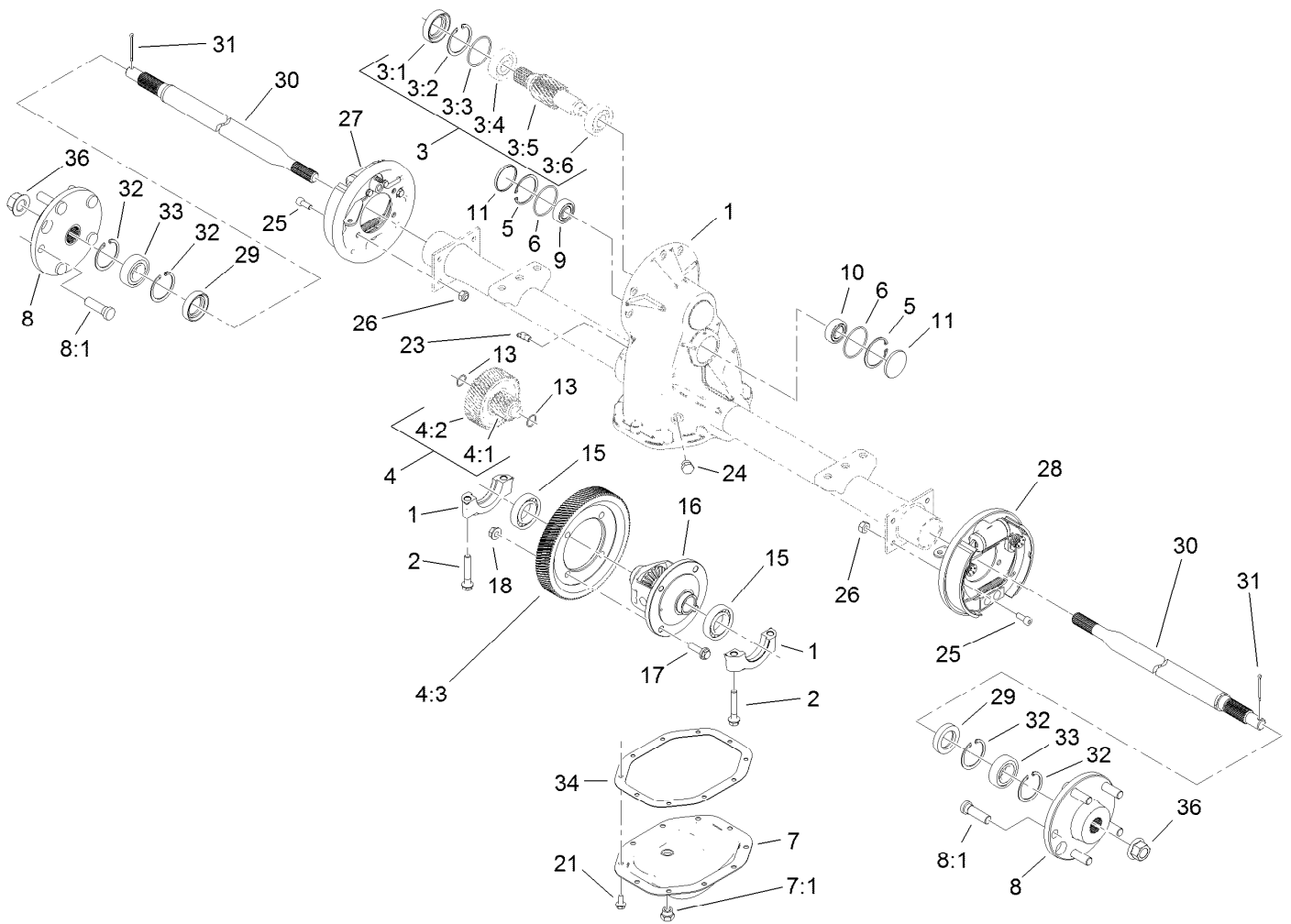
● Not serviced separately



## Electric Transaxle Assembly No. 114-8330

Ref.	Part Number	Qty.	Description	Ref.	Part Number	Qty.	Description
1		1	Transaxle ASM ●	8:1	112-3137	1	Bolt-Wheel
2	108-2401	4	Bolt-Cap, Bearing	9	108-2406	1	Bearing-Ball
3	115-2185	1	Input Shaft Kit	10	108-2407	1	Bearing-Ball
3:1	108-2403	1	Seal-Oil	11	108-2408	2	Plug-Cap, End
3:2	108-2404	1	Ring-Retaining	13	108-2410	2	O-Ring
3:3	108-2405	1	O-Ring	15	108-2411	2	Bearing-Ball
3:4		1	Bearing-Ball ●	16	112-3138	1	Differential ASM
3:5		1	Shaft-Input ●	17	108-2413	4	Screw-Hex
3:6		1	Bearing-Ball ●	18	108-2414	4	Nut-Lock
4	108-2409	1	Internal Gear Kit	21	108-2427	10	Screw-Tapping
4:1		1	Shaft-Input ●	23	108-2428	1	Elbow-90 Degree
4:2		1	Gear-Intermediate ●	24	108-2429	1	Plug-HH
4:3	110-2541	1	Gear-Drive, Final	25	112-3139	8	Screw-HSH
5	108-2404	2	Ring-Retaining	26	108-2418	8	Nut-Lock
6	108-2405	2	O-Ring	27	114-8332	1	LH Brake ASM
7	108-2416	1	Cover Kit	28	114-8331	1	RH Brake ASM
7:1	108-2415	1	Plug-HH	29	112-3140	2	Seal-Oil
8	112-3136	2	Hub ASM	30	112-3141	2	Shaft-Axle

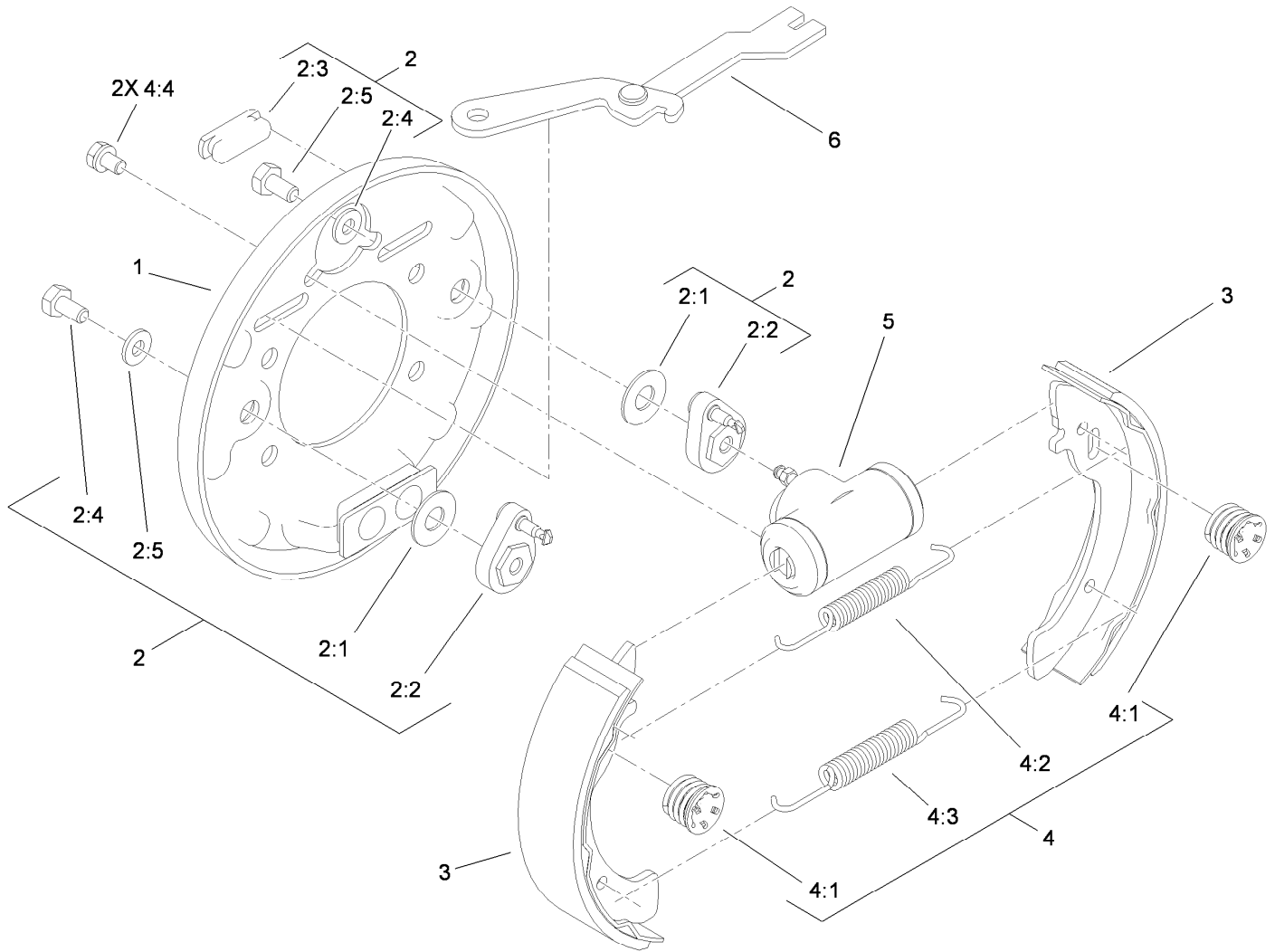
● Not serviced separately



## Electric Transaxle Assembly No. 114-8330 (continued)

<i>Ref.</i>	<i>Part Number</i>	<i>Qty.</i>	<i>Description</i>	<i>Ref.</i>	<i>Part Number</i>	<i>Qty.</i>	<i>Description</i>
31	3272-12	2	Pin-Cotter	34	108-3148	1	Gasket
32	108-2424	4	Ring-Retaining	36	112-3142	2	Nut-HF
33	108-2425	2	Bearing-Ball				

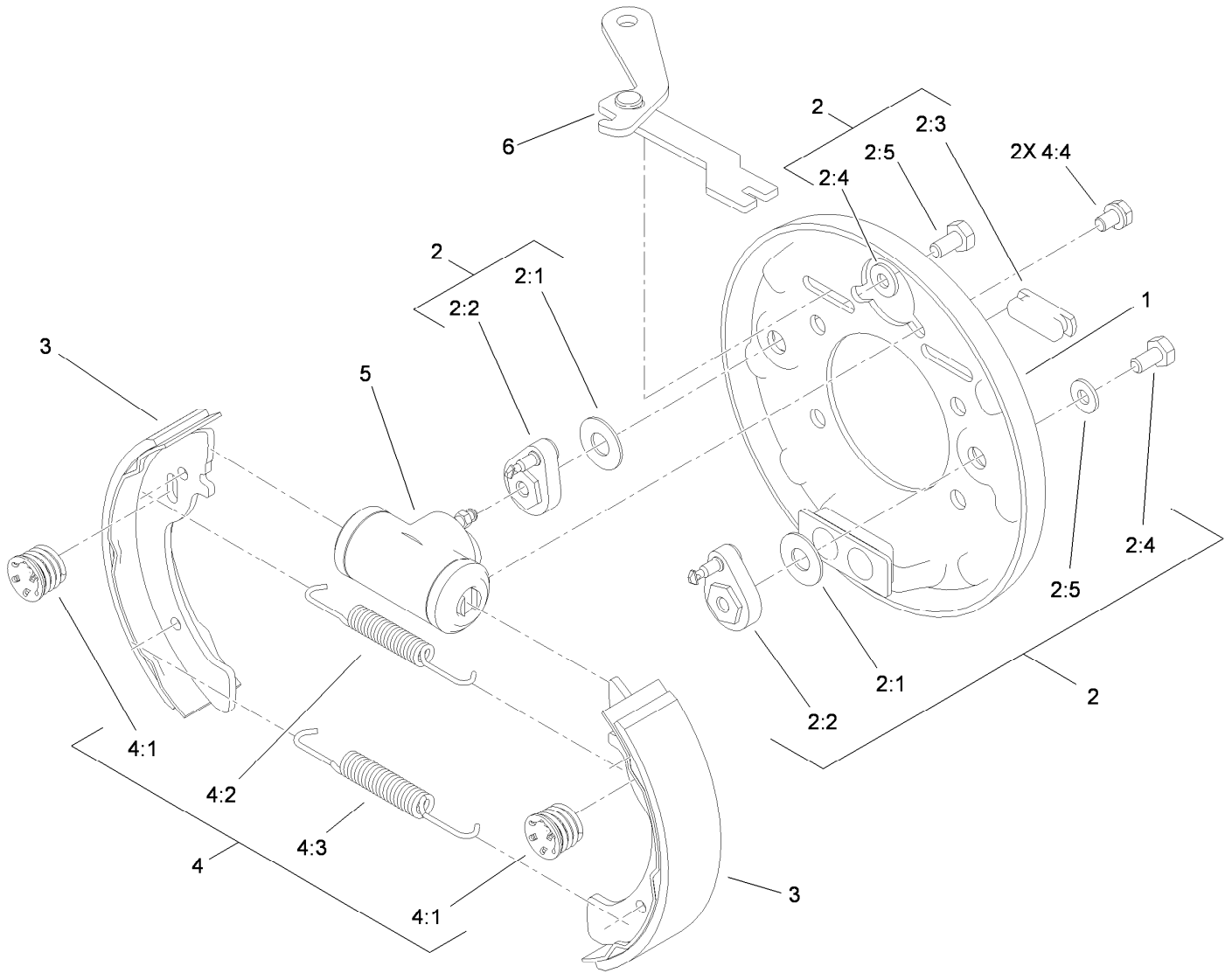
● Not serviced separately



## LH Rear Brake Assembly No. 114-8332

Ref.	Part Number	Qty.	Description
1	100-8586	1	Backing Plate ASM
2	104-6820	1	Adjuster Kit
2:1	100-8585	2	Washer-Bellville
2:2	100-8588	2	Adjuster Lever ASM
2:3	100-8584	2	Cover-Dust
2:4		2	Washer ●
2:5		2	Bolt ●
3	104-6818	4	Shoe And Lining Kit
4	104-6819	1	Hardware Kit
4:1	100-8583	2	Shoe Hold Down Spring ASM
4:2	100-8581	2	Spring-Upper
4:3	100-8582	2	Spring-Lower
4:4		2	Bolt And Washer ●
5	114-8333	1	Wheel Cylinder ASM
6	104-6825	1	LH Park Brake Lever ASM

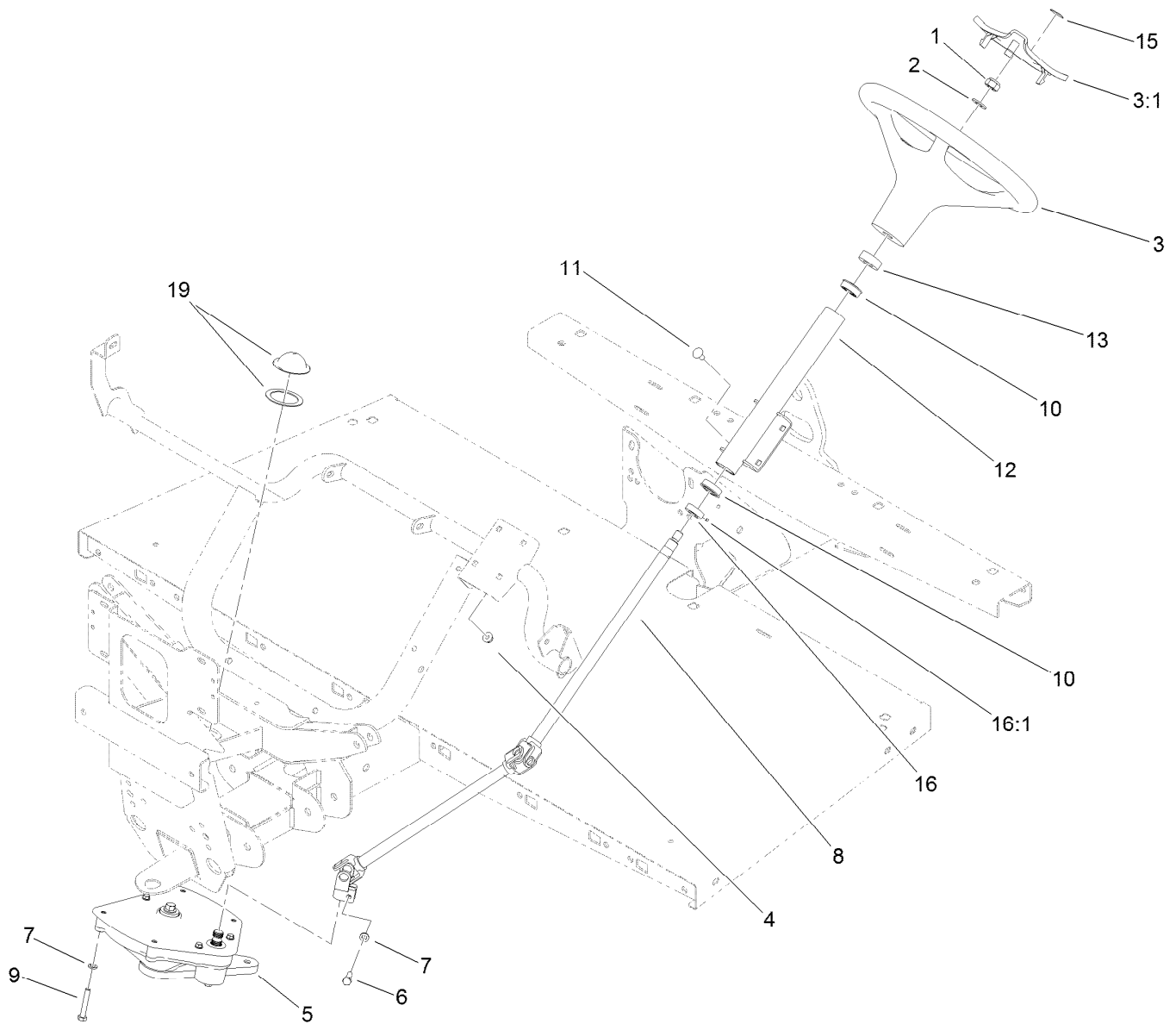
● Not serviced separately



## RH Rear Brake Assembly No. 114-8331

Ref.	Part Number	Qty.	Description
1	100-8586	1	Backing Plate ASM
2	104-6820	1	Adjuster Kit
2:1	100-8585	2	Washer-Bellville
2:2	100-8588	2	Adjuster Lever ASM
2:3	100-8584	2	Cover-Dust
2:4		2	Washer ●
2:5		2	Bolt ●
3	104-6818	4	Shoe And Lining Kit
4	104-6819	1	Hardware Kit
4:1	100-8583	2	Shoe Hold Down Spring ASM
4:2	100-8581	2	Spring-Upper
4:3	100-8582	2	Spring-Lower
4:4		2	Bolt And Washer ●
5	114-8333	1	Wheel Cylinder ASM
6	104-6826	1	RH Park Brake Lever ASM

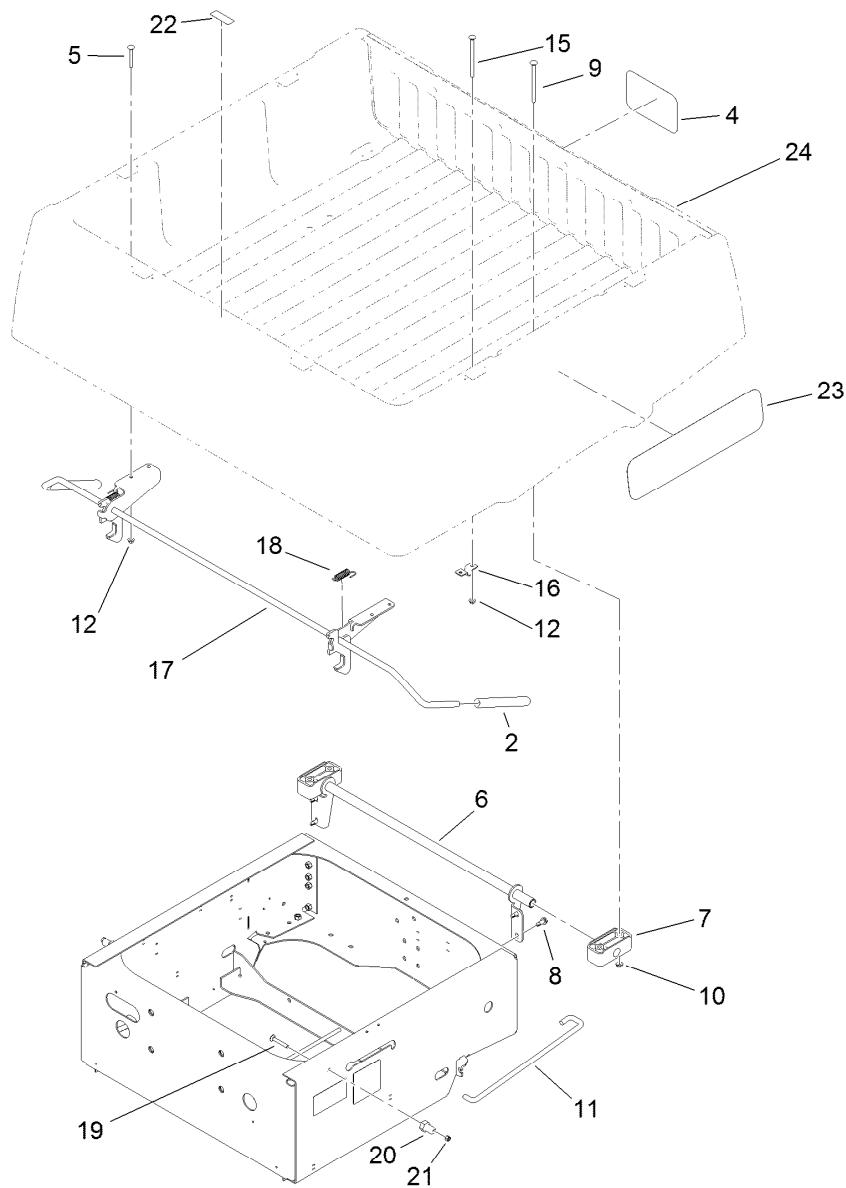
● Not serviced separately



## Upper Steering Assembly

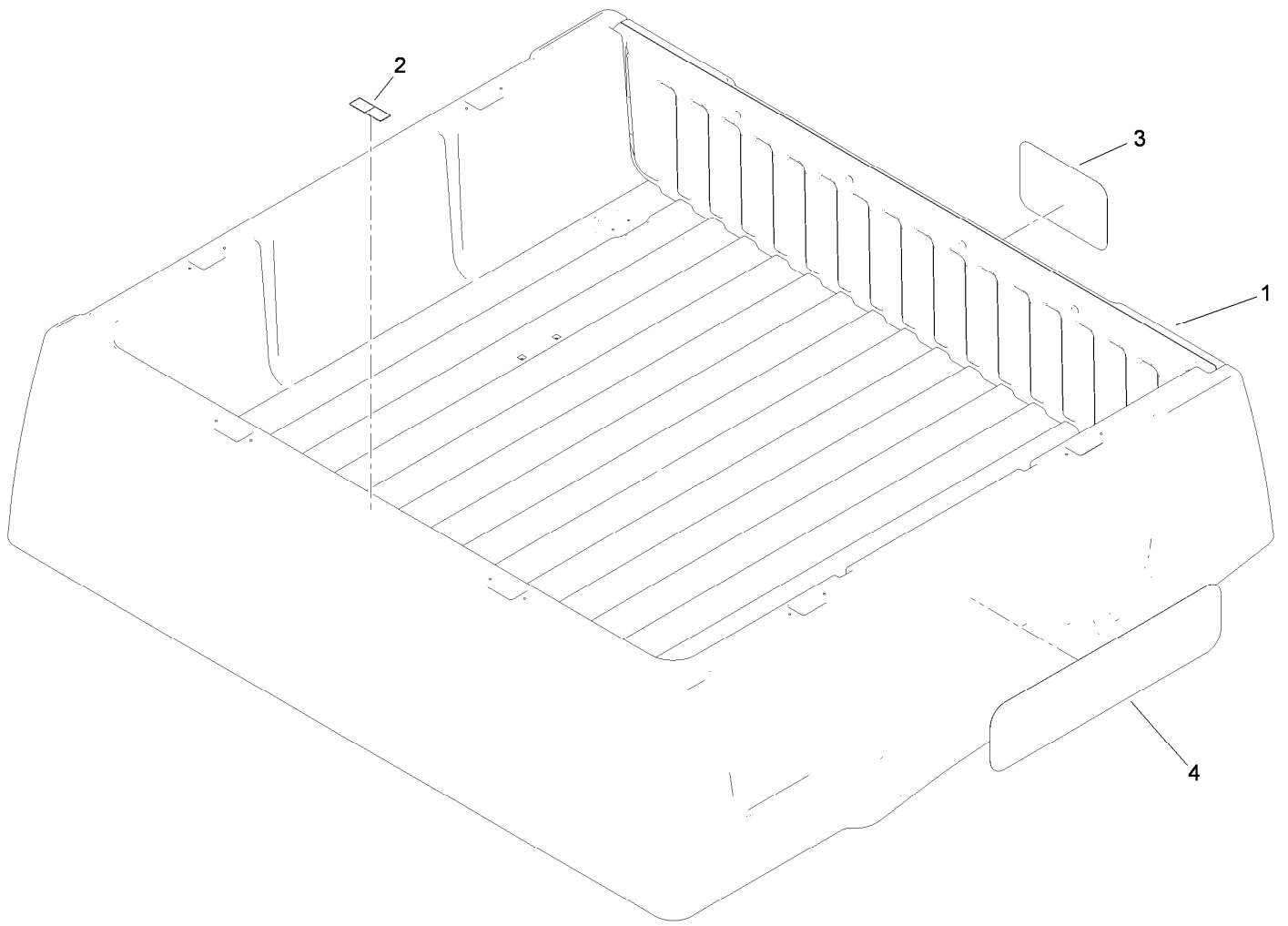
<i>Ref.</i>	<i>Part Number</i>	<i>Qty.</i>	<i>Description</i>	<i>Ref.</i>	<i>Part Number</i>	<i>Qty.</i>	<i>Description</i>
1	119-9493	1	Nut-Lock, NI	9	112-3305	4	Screw-HH
2	3256-26	1	Washer-Flat	10	112-3262	2	Bearing
3	98-1471	1	Wheel-Steering	11	3230-1	4	Bolt-CARR
3:1	98-1468	1	Cover-Wheel, Steering	12	112-3264-03	1	Column
4	104-8300	4	Nut-Flange, NI	13	21-9260	1	Cover-Dust
5	112-3130	1	Steering Box ASM	15	98-1459	1	Decal
6	48-7730	1	Screw-Cap, HH	16	111383	1	Collar
7	3253-4	5	Washer-Lock	16:1	3245-32	1	Screw-HSH
8	112-3355	1	Steering Shaft ASM	19	120-5049	1	Steering Box Cover Kit





## Cargo Bed and Tailgate Installation Assembly

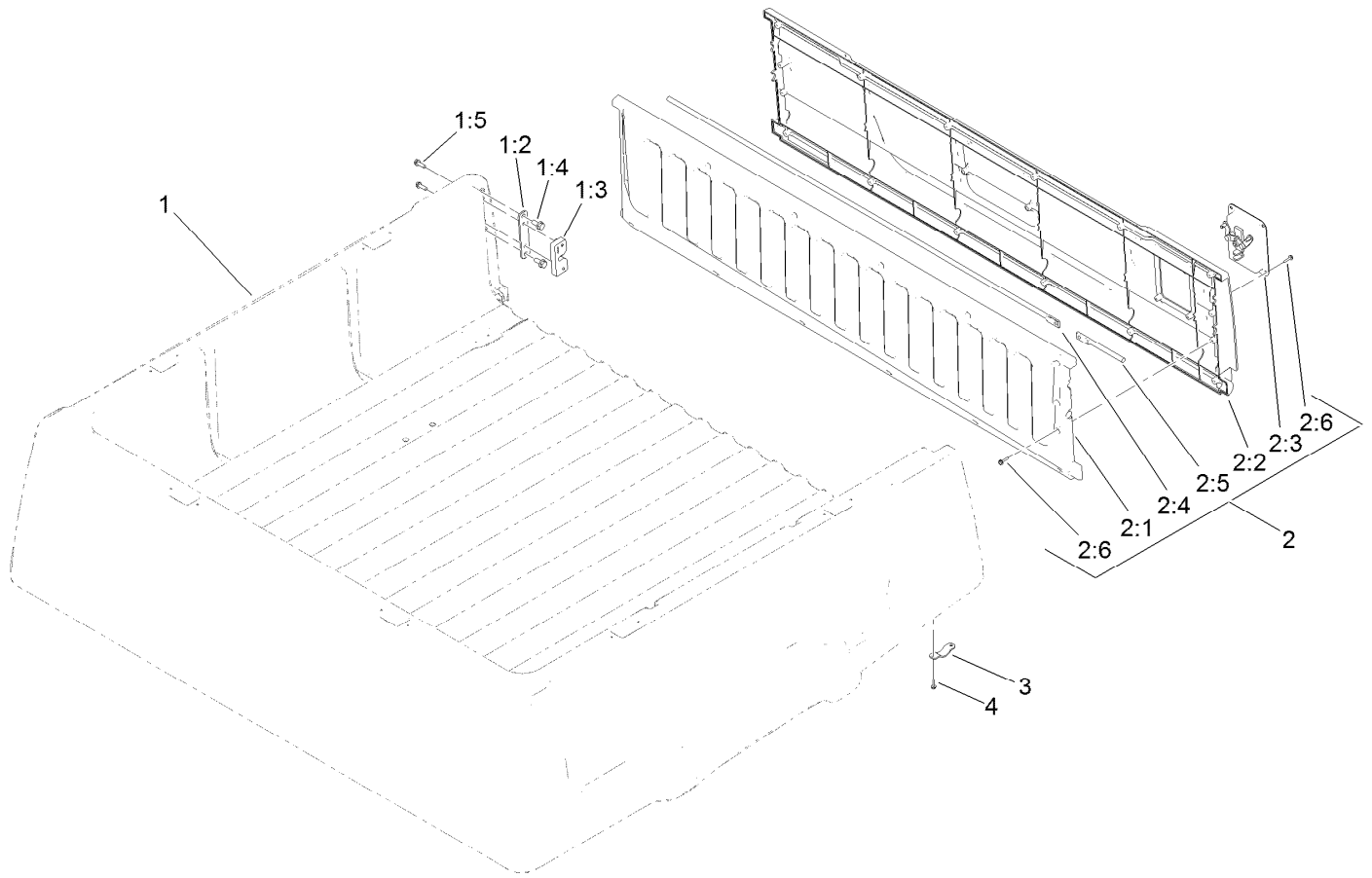
<i>Ref.</i>	<i>Part Number</i>	<i>Qty.</i>	<i>Description</i>	<i>Ref.</i>	<i>Part Number</i>	<i>Qty.</i>	<i>Description</i>
2	119-9627	2	Grip-Handle	15	119-0914	2	Bolt-CARR
4	104-7213	1	Decal	16	99-7896	1	Bracket-U, Prop Rod
5	3230-8	4	Screw-CARR	17	119-0837	1	Latch ASM
6	119-0848-03	1	Bracket-Pivot	18	5-7290	2	Spring-Tension
7	119-0835	2	Bushing-Pivot	19	3230-7	2	Bolt-CARR
8	105-6245	4	Screw-Tapping	20	104-7248	2	Pin-Latch
9	109-6795	4	Bolt-CARR	21	3296-29	2	Nut-Lock, NI
10	3290-357	4	Nut-HHF, Whiz	22	115-7739	1	Decal-No Riders
11	119-0844	1	Rod-Prop	23	119-9451	2	Decal
12	32128-20	6	Nut-HF	24	119-9710	1	Cargo Bed Service ASM



## Cargo Bed Service Assembly No. 119-9710

<i>Ref.</i>	<i>Part Number</i>	<i>Qty.</i>	<i>Description</i>
1		1	Cargo Bed And Tailgate ASM ●
2	115-7739	1	Decal-No Riders
3	104-7213	1	Decal
4	120-4825	2	Decal

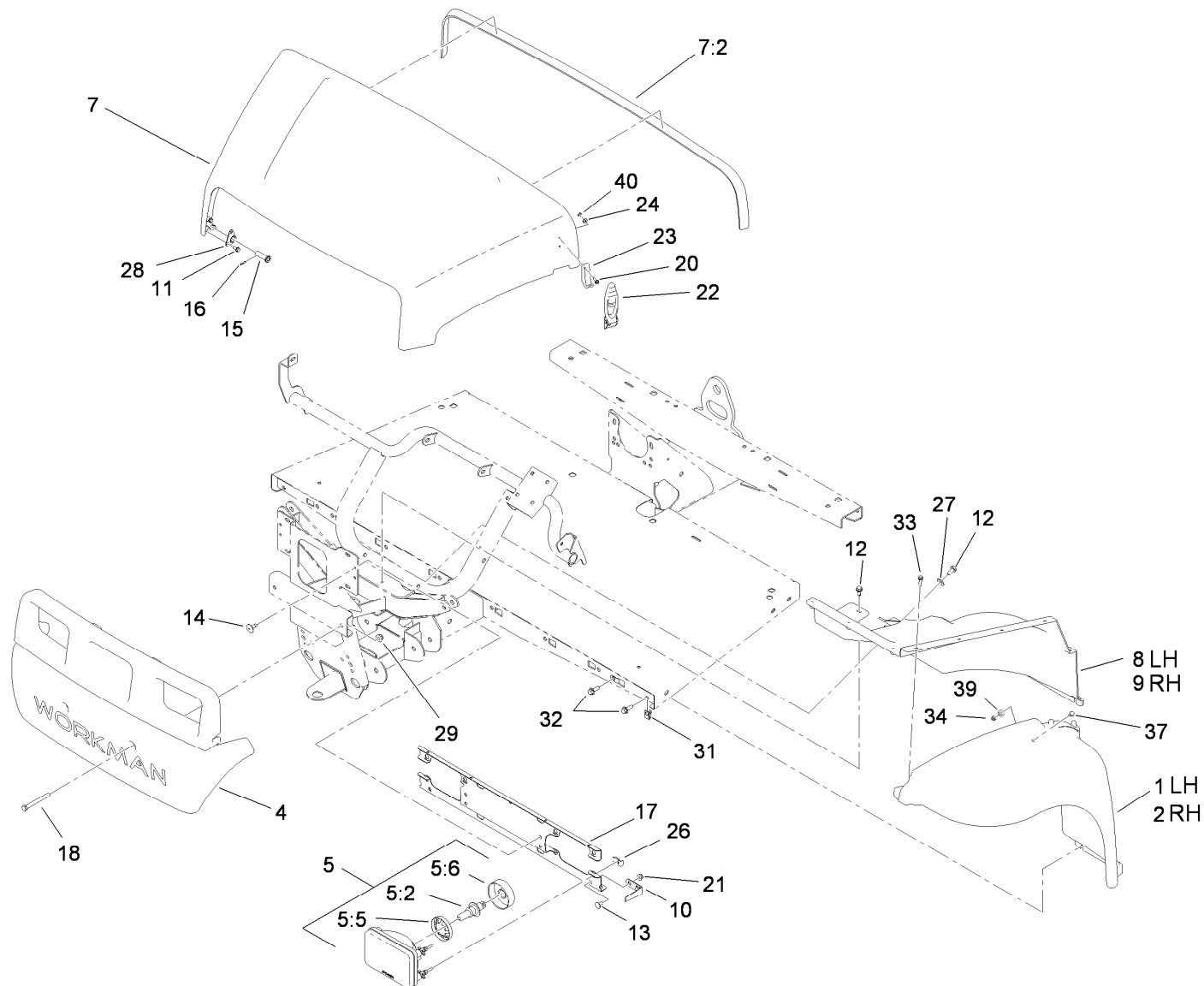
● Not serviced separately



## Cargo Bed and Tailgate Assembly

Ref.	Part Number	Qty.	Description
1		1	Cargo Bed W/ Strikes ●
1:2	119-0838	2	Mount-Striker
1:3	119-0892	2	Strike-Latch
1:4	3234-47	4	Screw-HHF
1:5	32105-15	4	Screw-HWH
2		1	Tailgate ASM ●
2:1	119-0839	1	Tailgate-Inner
2:2	119-0840	1	Tailgate-Outer
2:3	119-0891	1	Handle-Latch
2:4	119-0842	1	Rod-Latch, RH
2:5	119-0843	1	Rod-Latch, LH
2:6	98-1375	20	Screw-HWH
3	119-0849	2	Retainer-Tailgate
4	98-1375	4	Screw-HWH

● Not serviced separately



## Hood and Fender Assembly

Ref.	Part Number	Qty.	Description	Ref.	Part Number	Qty.	Description
1	112-3371	1	Fender-LH	17	119-0841-03	1	Bracket-Headlight
2	112-3370	1	Fender-RH	18	115-7660	2	Screw-HHF
4	112-3365	1	Bumper	20	32105-13	4	Screw-HWH
5	115-7617	2	Headlight ASM	21	32128-20	2	Nut-HF
5:2	115-7618	1	Bulb-24V	22	115-2416	2	Latch-Rubber
5:5	115-7667	1	Retainer-Headlamp	23	103-2897	2	Latch-Catch
5:6	115-7668	1	Boot-Headlamp	24	3256-14	4	Washer-Flat
7	115-7636	1	Hood ASM	26	115-2408	6	Clip-Speed
7:2	115-7635	1	Seal-Foam	27	3256-71	2	Washer-Flat
8	112-3369	1	Well-Fender, LH	28	112-3308	2	Retainer-Pin
9	112-3368	1	Well-Fender, RH	29	104-8301	2	Nut-Flange, NI
10	112-3373	2	Keeper-Pivot, Hood	31	112-3306	10	Nut
11	46-8093	6	Screw-Plastite	32	3234-29	10	Screw-HHF
12	32104-32	4	Screw-HWH	33	46-8091	20	Screw-HWH
13	3230-18	2	Screw-CARR	34	3296-42	2	Nut-Lock, NI
14	146489	4	Rivet	37	321-39	2	Screw-HH
15	117-5094	2	Pin-Clevis	39	3256-22	2	Washer-Flat
16	32121-50	2	Pin-Spring	40	3296-2	4	Nut-Lock, NI

# Attachments and Accessories

## For 07299TC Workman MDE Utility Vehicle

<b>Product Name</b>	<b>Model/Part</b>
Rear Lift Kit .....	07261
Roll-Over Protection System .....	07276
Receiver Hitch Kit .....	07278
12V Power Plug Adapter Kit .....	07318
Canopy Kit .....	07324
Solid Windshield Kit .....	07325
Folding Windshield Kit .....	07326
Snow Plow .....	07327
Hard Cab .....	07328
Heavy-Duty Bumper Kit .....	07329
Heavy-Duty Brush Guard and Bumper Kit .....	07338
Sliding Window Door Kit .....	07352
Fixed Window Door Kit .....	07353
Electric Bed Lift Kit, 2011 and After Workman MDE Utility Vehicle.....	07382
Wheel-5 Bolt .....	104-6889
Tire-AT 489, 24x10.5-10 .....	104-7061
Tire-AT 489, 22x9.5-10 .....	104-7062
20 foot Cordset Kit (DC).....	108-3071
48V Battery Charger .....	115-7785
Lift Wire Harness Kit .....	115-7823
Replacement Front Spring Kit.....	117-4847
Accessory Installation Kit, Espar Heater Kit for Workman MDE Utility Vehicle .....	117-4968
Potentiometer Kit .....	117-5085
Cord-AC (US/CANADA) .....	119-0661
Cord-AC (UK) .....	119-0662
Cord-AC (Europe).....	119-0663
Tire And Wheel Asm .....	119-0751
Tapered Nozzle Kit, Pro Force Debris Blower .....	119-6280
Rectangular Nozzle Kit, Pro Force Debris Blower .....	119-6281
Nozzle-Extension, Straight .....	119-6282
Nozzle-Extension, Tapered.....	119-6283
Nozzle-Extension, Rectangular .....	119-6284
Side Mirror Kit.....	119-9546
Lanyard Kit, 2011 and After Workman MD Series Utility Vehicle.....	119-9590
Stake Pocket Adapter Kit, 2011 and After Workman MD Series Utility Vehicle.....	119-9604
Tie-Down Kit, 2011 and After Workman MD Series Utility Vehicle .....	119-9605
Bed Retrofit Kit, 2010 and Before Workman MD Series Utility Vehicle.....	119-9606
Road Light and Homologation Kit .....	120-5031
Brake and Signal Light Kit.....	120-5044
Pro Force Debris Blower.....	44538
Road-Ready Pro Force Debris Blower.....	44539
Bed Mount Kit, Pro Force Debris Blower.....	44543
Bed Mount Sound Barrier Kit, Pro Force Debris Blower .....	44546

**Notes:**

**Notes:**



**Count on it.**