



**Count on it.**

**Parts Catalog**

**Groundsmaster® 4300-D Traction Unit**

**Model No. 30859—Serial No. 311000001 and Up**



# Ordering Replacement Parts

To order replacement parts, please supply the part number, the quantity, and the description of each part desired.

## Understanding Reference Numbers

Each identified part in an illustration has a reference number. The reference number for a part also appears in the parts list, along with other information about the part.

This catalog uses two special reference number formats, one to indicate parts in a service assembly and another to indicate the quantity of a given part in an illustration.

## Service Assembly Reference Numbers

Parts in service assemblies have reference numbers in the form a:b. The a represents the reference number of the entire service assembly and the b represents a sequential number unique to each part within the service assembly.

For example, a wheel assembly might be identified by reference number 6, the tire by 6:1, the valve by 6:2, and the wheel by 6:3. When you order the assembly identified by reference number 6, you receive all parts identified by reference numbers 6:1, 6:2, and 6:3. However, you may also order any part individually. Reference numbers of this type appear in illustration and in parts lists.

## Reference Numbers Indicating Quantity

In an illustration, if a reference number indicates more than one part, the reference number has the form nX y. The n represents the quantity of the part, the X is the multiplication symbol, and the y represents the reference number.

For example, in an illustration, the reference number 2X 37 means that two of the parts identified by reference number 37 are indicated.

# List of Abbreviations

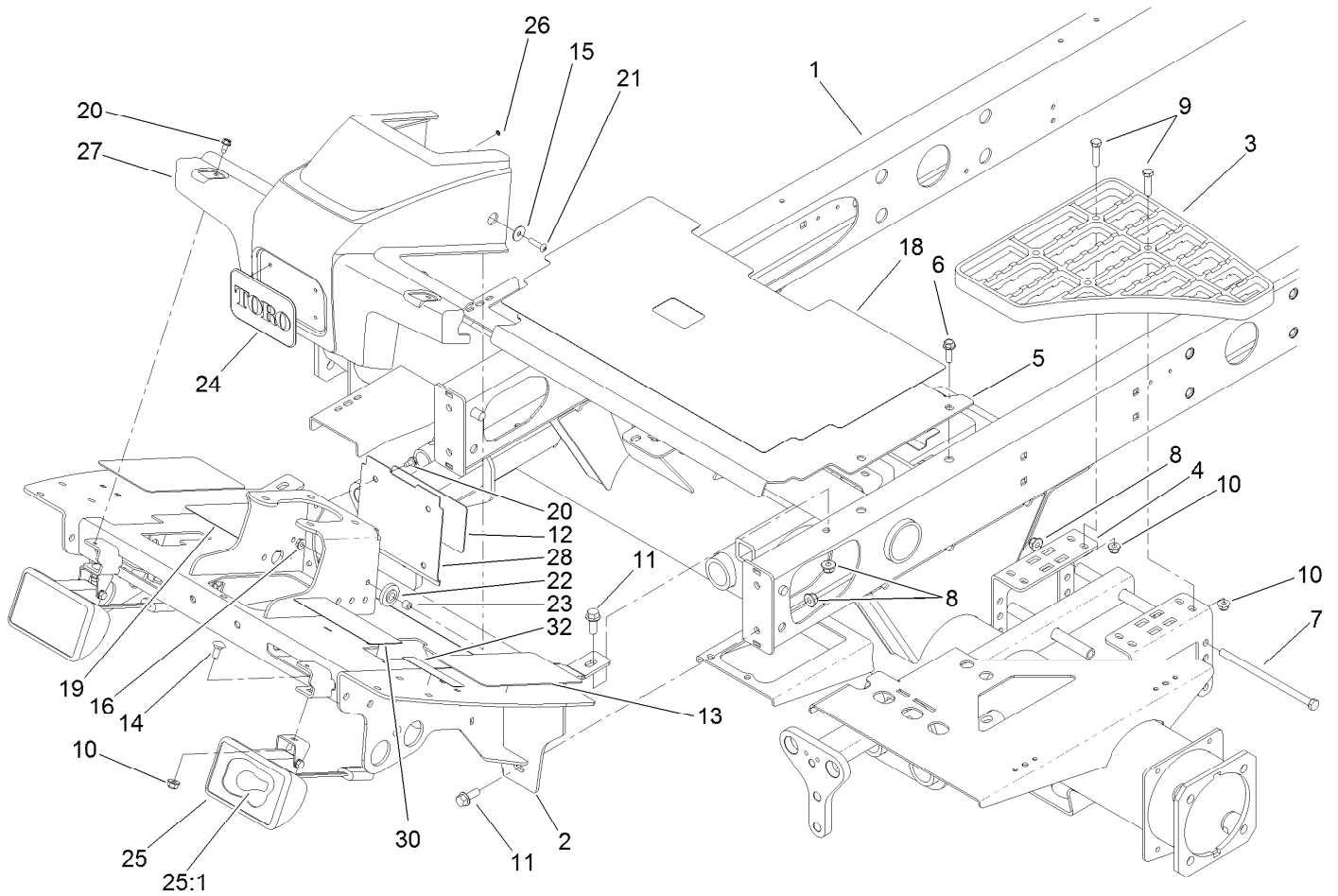
<b>AR:</b> as required	<b>HLH:</b> hex lag head	<b>PTO:</b> power-take-off
<b>ASM:</b> assembly	<b>HOC:</b> height-of-cut	<b>RH:</b> right hand
<b>BBC:</b> blade brake control	<b>HSBH:</b> hex socket button head	<b>ROPS:</b> roll-over protection system
<b>BHTF:</b> button head thread forming	<b>HSFH:</b> hex socket flat head	<b>RRB:</b> rear roller brush
<b>CARR:</b> carriage	<b>HSH:</b> hex socket head	<b>SFH:</b> slotted fillister head
<b>CCW:</b> counter clockwise	<b>HWH:</b> hex washer head	<b>SHH:</b> slotted hex head
<b>CW:</b> clockwise	<b>HWHTF:</b> hex washer head thread forming	<b>SHWH:</b> slotted hex washer head
<b>DEG:</b> degrees	<b>HYD:</b> hydraulic	<b>SPH:</b> slotted pan head
<b>DPA:</b> Dual Point Adjustment	<b>LH:</b> left hand	<b>SQH:</b> square head
<b>ECM:</b> electronic control module	<b>LP:</b> Liquefied Petroleum Gas	<b>SRH:</b> slotted round head
<b>EXT:</b> external	<b>LPG:</b> Liquefied Petroleum Gas	<b>STD:</b> standard
<b>FH:</b> flat head	<b>NI:</b> nylon insert	<b>TAP:</b> self tapping
<b>GA:</b> gauge	<b>NPTF:</b> national pipe thread fine	<b>TTH:</b> torx truss head
<b>HD:</b> heavy-duty	<b>PFH:</b> phillips flat head	
<b>HF:</b> hex flange	<b>PPH:</b> phillips pan head	
<b>HH:</b> hex head	<b>PPHTF:</b> phillips pan head thread forming	
<b>HHF:</b> hex head flange	<b>PRH:</b> phillips round head	
<b>HHFTF:</b> hex head flange thread forming	<b>PTH:</b> phillips truss head	
<b>HJ:</b> hex jam		

# Contents

Front Frame Assembly	5
Steering Valve Hydraulic Plumbing Assembly	6
Steering Tilt Column Assembly No. 106-3622	7
Steering Valve Assembly No. 106-3621	8
Traction Pedal Assembly	9
Brake Pedal Assembly	10
Seat and Armrest Assembly	11
Seat Base and Suspension Assembly	12
Mechanical Seat Suspension Assembly No. 110-8851	13
Console and Control Arm Assembly	14
Joystick Bracket Assembly No. 106-4167	16
Hydraulic Tank Assembly	17
Fuel Tank Assembly	18
Front Wheel, Brake and Hydraulic Motor Assembly	19
Hydraulic Motor Assembly No. 114-8857	21
Hydraulic Motor Assembly No. 114-8858	22
LH Brake Assembly No. 110-8872	23
RH Brake Assembly No. 110-8871	24
Driveshaft and Variable Pump Hydraulic Fitting Assembly	25
Driveshaft Assembly No. 108-1641	26
Hydraulic Pump Assembly No. 119-6972	27
Gear Pump Hydraulic Plumbing Assembly	29
Gear Pump Assembly No. 108-4003	30
Engine Mounting and Electrical Assembly	31
Engine Intake and Exhaust Assembly	32
Air Cleaner Assembly No. 110-8917	33
Fuel System Delivery Assembly	34
Radiator and Hydraulic Cooler Assembly	35
Hydraulic Lift Block and Plumbing Assembly	37
Lift Control Manifold Assembly No. 117-0158	38
Reel Control Block Hydraulic Plumbing Assembly	39
Deck Control Manifold Assembly No. 114-0359	40
Rear Deck Drive System Plumbing and Front Hose Assembly	41
Gear Motor Assembly No. 108-4004	43
Front Lift Cylinder and Plumbing Assembly	44
Hydraulic Cylinder Assembly No. 119-6989	45
Hydraulic Cylinder Assembly No. 119-6990	46
Hydraulic Cylinder Assembly No. 119-6991	47
Front Lift Arm Assembly	48
Rear Lift Cylinder and Plumbing Assembly	50
Hydraulic Cylinder Assembly No. 119-6988	51
Rear Lift Arm Assembly	52
Rear Axle Assembly	53
Tie Rod Assembly No. 110-5334-03	54
Hydraulic Cylinder Assembly No. 114-0403	55
All Wheel Drive Assembly	56
Hydraulic Motor Assembly No. 107-4544	57
Hydraulic Motor Assembly No. 110-0901	58
Four Wheel Drive Manifold Assembly No. 108-1825	59
Battery and Bumper Assembly	60
Hood and Body Panel Assembly	61
Crankcase Assembly	62
Oil Pan Assembly	63
Cylinder Head Assembly	64

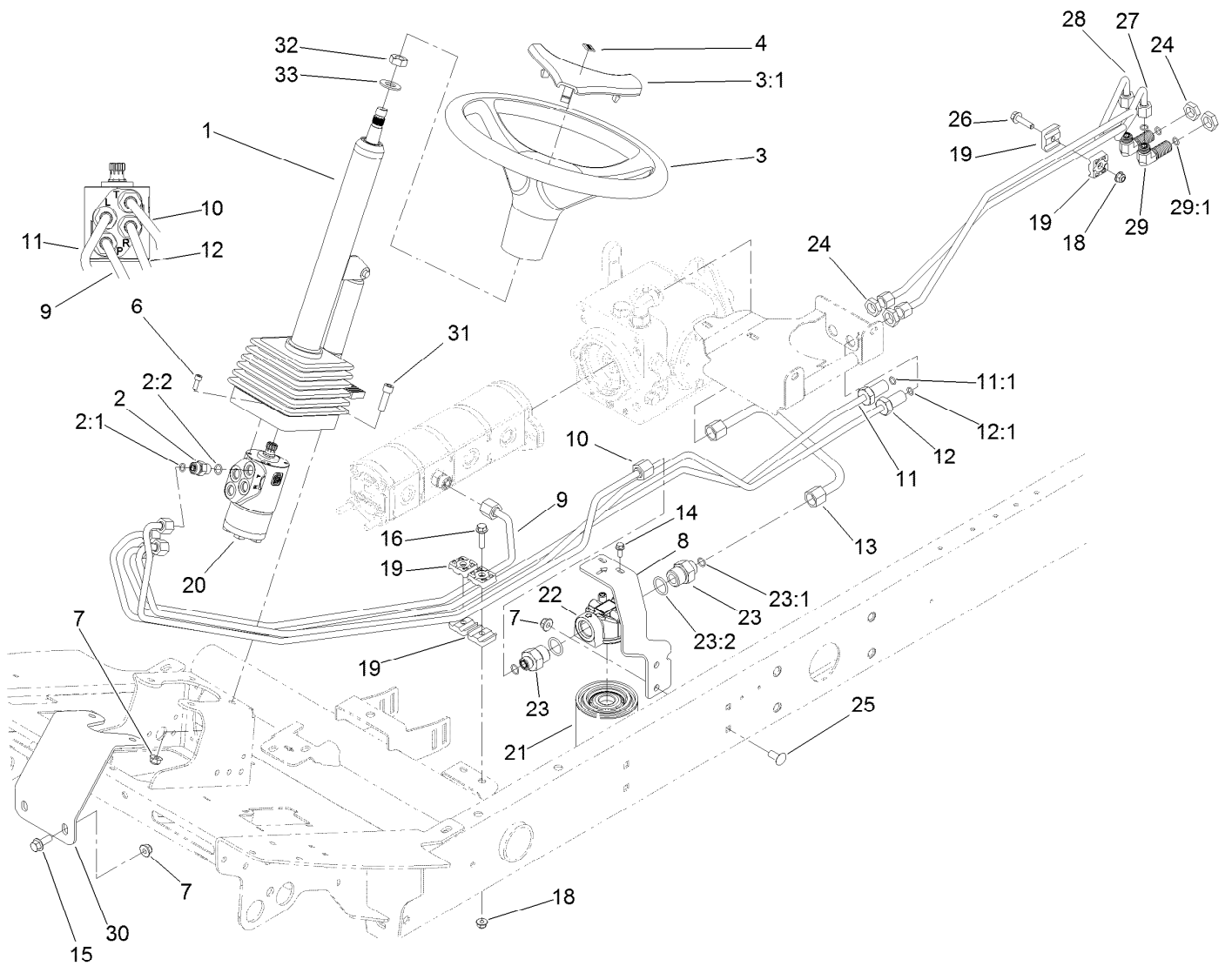
# Contents (continued)

Gear Case Assembly . . . . .	65
Cylinder Head Cover Assembly . . . . .	66
Dipstick and Guide Assembly . . . . .	67
Main Bearing Case Assembly . . . . .	68
Cam Shaft and Idle Gear Shaft Assembly . . . . .	69
Piston and Crankshaft Assembly . . . . .	70
Flywheel Assembly . . . . .	71
Fuel Camshaft and Governor Shaft Assembly . . . . .	72
Idle Apparatus Assembly . . . . .	73
Injection Pump Assembly . . . . .	74
Speed Control Plate Assembly . . . . .	75
Nozzle Holder and Glow Plug Assembly . . . . .	76
Nozzle Holder Component Assembly . . . . .	77
Governor Assembly . . . . .	78
Alternator and Pulley Assembly . . . . .	79
Alternator Components Assembly . . . . .	80
Starter Assembly . . . . .	81
Water Flange and Thermostat Assembly . . . . .	82
Water Pump Assembly . . . . .	83
Overflow Bottle Assembly . . . . .	84
Valve and Rocker Arm Assembly . . . . .	85
Inlet and Exhaust Manifold Assembly . . . . .	86
Turbo Charger Assembly . . . . .	87
Oil Pipe (Turbo Charger) Assembly . . . . .	88
Oil Cooler Assembly . . . . .	89
Attachments and Accessories . . . . .	90



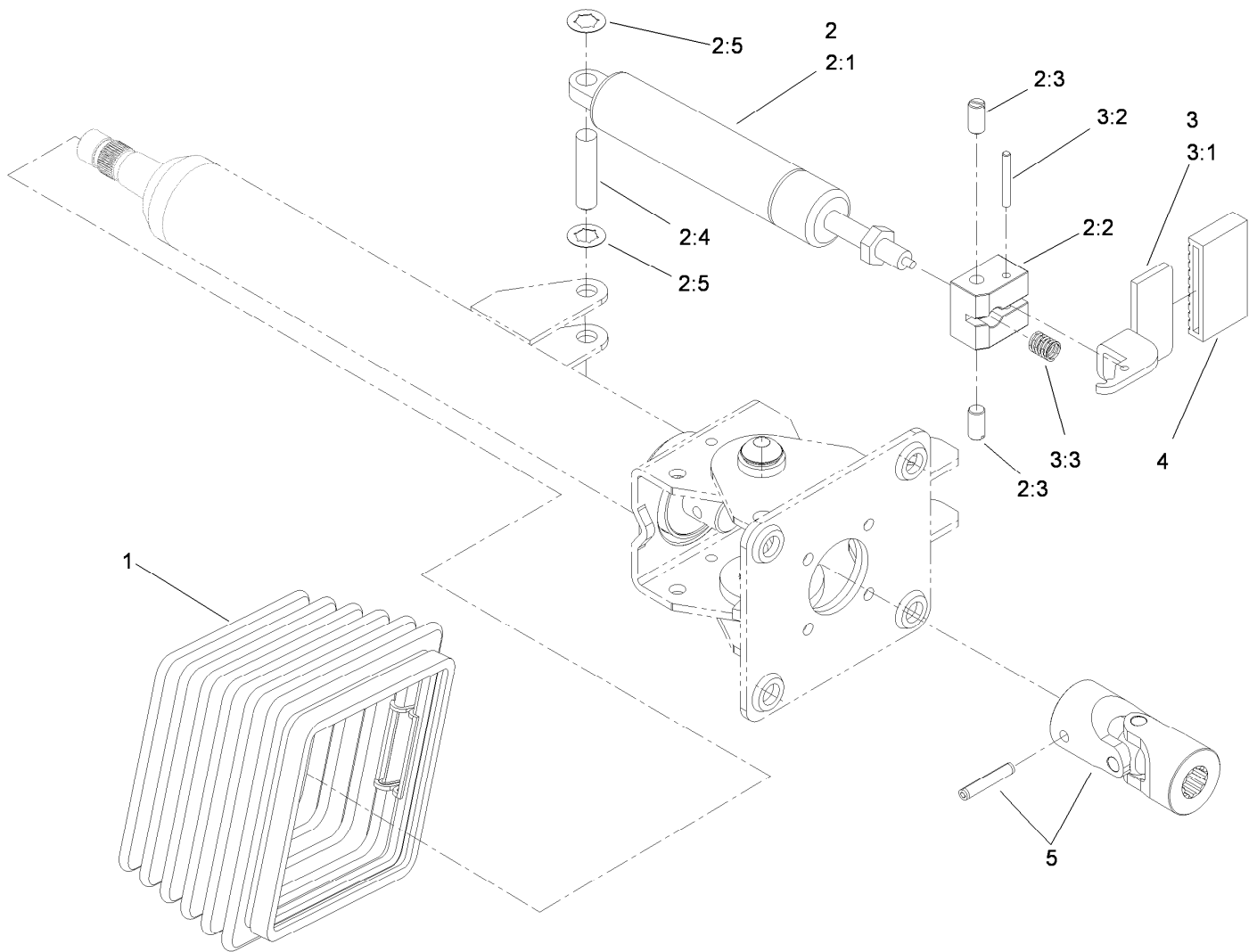
## Front Frame Assembly

<i>Ref.</i>	<i>Part Number</i>	<i>Qty.</i>	<i>Description</i>	<i>Ref.</i>	<i>Part Number</i>	<i>Qty.</i>	<i>Description</i>
1	114-0388	1	Frame ASM	18	115-8065	1	Tread-Service Panel
2	117-0161-01	1	Platform	19	108-1845	1	Tread-Board, Floor
3	110-9041	2	Step-Aluminum	20	32104-17	6	Screw-HWH
4	117-5161-01	4	Bracket-Step	21	106-9518	2	Screw-PRH
5	115-8064-01	1	Plate-Floor	22	240-11	2	Bushing-Flange
6	3234-17	4	Screw-HHF	23	66-8010	2	Spacer-Hub, Impeller
7	323-36	4	Screw-HH	24	93-6028	1	Plate-Logo
8	104-8301	8	Nut-Flange, NI	25	94-9024	2	Lamp ASM
9	322-17	8	Screw-HH	25:1	95-0909	1	Lamp-12 Volt
10	104-8300	10	Nut-Flange, NI	26	3254-9	4	Washer-Lock, Internal
11	3234-11	4	Screw-HHF	27	110-0944	1	Shroud-Platform
12	110-0986	1	Decal-Plate, Cover	28	110-0947-03	1	Plate-Cover
13	110-0988	2	Tread-Floor, Side	30	110-8869	1	Decal-Danger
14	3230-1	2	Bolt-CARR	30	110-8973	1	Decal-Danger
15	87-6630	2	Washer-Plain	32	117-2718	1	Decal-Arrester, Spark
16	32128-33	2	Nut-HF				



## Steering Valve Hydraulic Plumbing Assembly

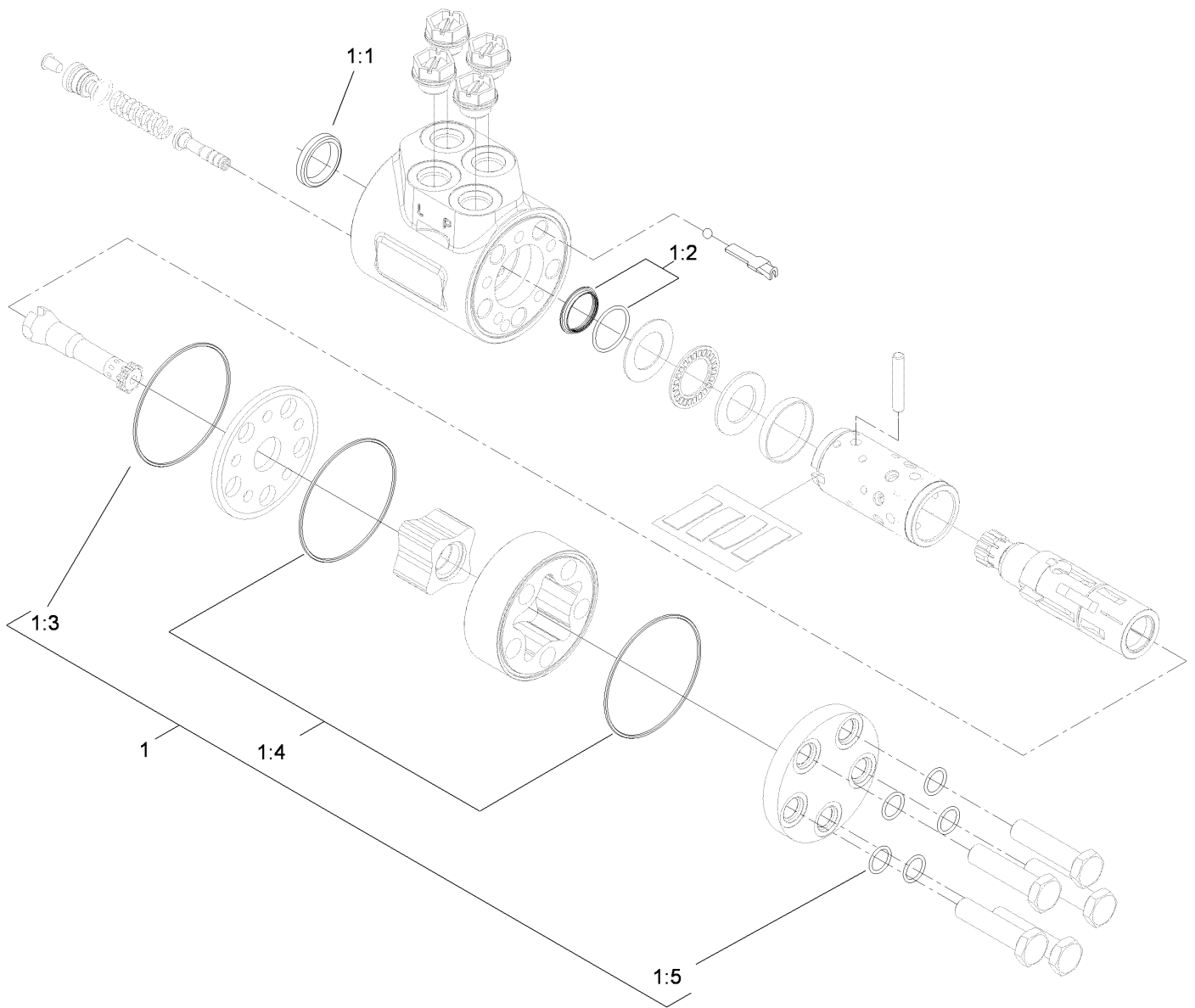
Ref.	Part Number	Qty.	Description	Ref.	Part Number	Qty.	Description
1	106-3622	1	Steering Tilt Column ASM	18	104-8300	3	Nut-Flange, NI
2	340-2	4	Fitting-HYD, Straight	19	56-7973	6	Clamp-Tube
2:1	237-22	1	O-Ring	20	106-3621	1	Steering Valve ASM
2:2	237-42	1	O-Ring	21	86-3010	1	Filter-Oil
3	98-1471	1	Wheel-Steering	22	117-5820	1	Head-Filter
3:1	98-1468	1	Cover-Wheel, Steering	23	100-4240	2	Fitting-Adapter
4	98-1459	1	Decal	23:1	237-30	1	O-Ring
6	105-2409	4	Screw-HSH	23:2	237-81	1	O-Ring
7	104-8301	8	Nut-Flange, NI	24	340-70	4	Nut-Lock
8	110-0906-01	1	Support-Filter, Oil	25	3231-27	2	Screw-CARR
9	117-0167	1	Tube-HYD	26	3234-36	1	Screw-HHF
10	108-1711	1	Tube-HYD	27	110-9019	1	Tube-HYD
11	108-1712	1	Tube ASM	28	110-9020	1	Tube-HYD
11:1	237-22	1	O-Ring	29	340-154	2	Union-Bulkhead
12	108-1713	1	Tube ASM	29:1	237-22	2	O-Ring
12:1	237-22	1	O-Ring	30	110-8876-01	1	Brace-Column
13	108-1714	1	Tube ASM	31	3274-1	4	Screw-HSH
14	3234-33	2	Screw-HHF	32	3296-33	1	Nut-Lock, NI
15	3234-11	2	Screw-HHF	33	3256-27	1	Washer-Flat
16	3234-36	2	Screw-HHF				



## Steering Tilt Column Assembly No. 106-3622

Ref.	Part Number	Qty.	Description
1	110-6462	1	Bellows-Rubber
2	110-6463	1	Cylinder Service Kit
2:1		1	Cylinder-Gas ●
2:2		1	Block-Pedal ●
2:3		2	Bolt ●
2:4		1	Pin ●
2:5		2	Washer-Lock ●
3	110-6464	1	Pedal Service Kit
3:1		1	Pedal ●
3:2		1	Pin ●
3:3		1	Spring ●
4	110-6465	1	Cover-Pedal
5	120-6256	1	Universal Joint Kit

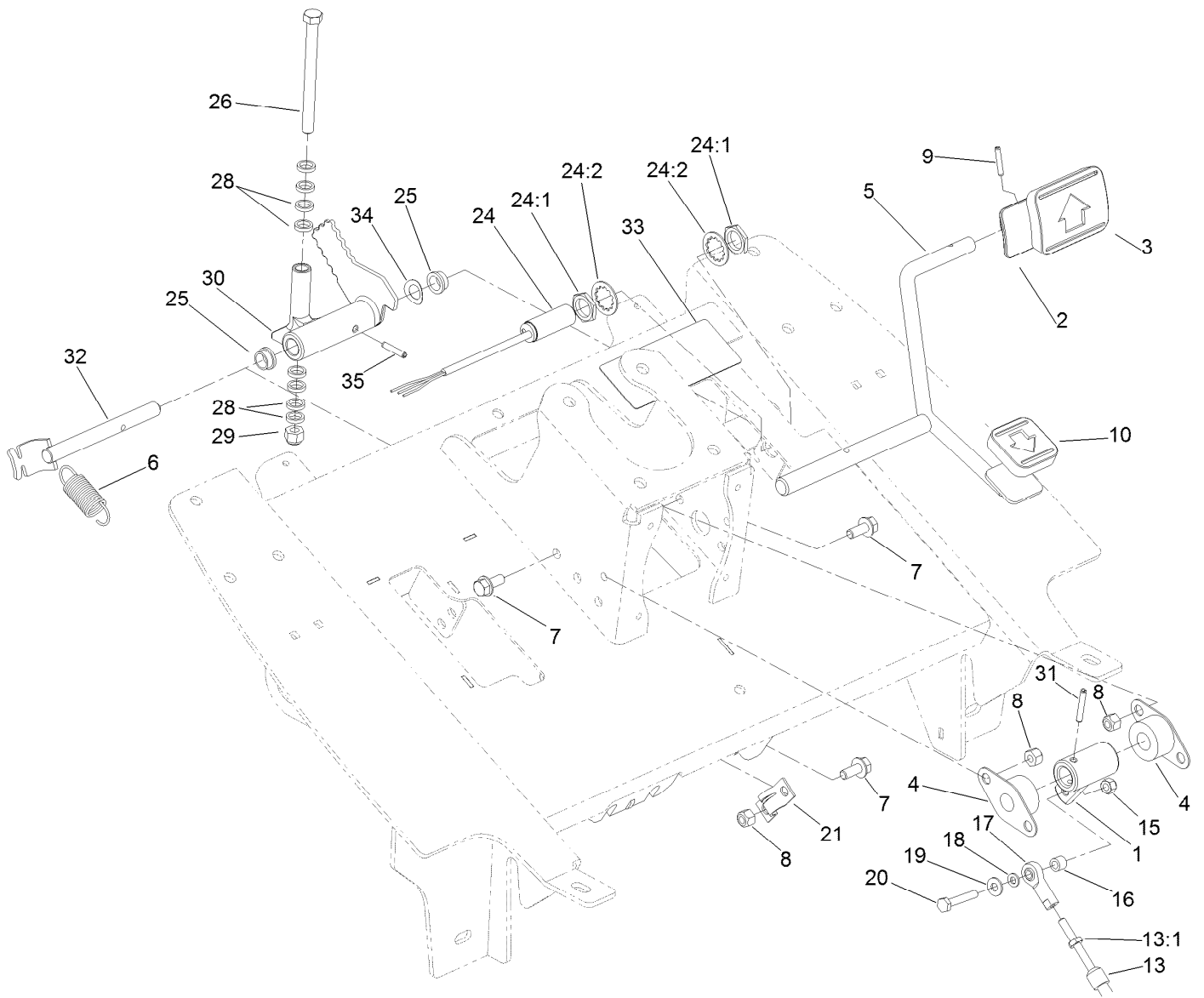
● Not serviced separately



## Steering Valve Assembly No. 106-3621

<i>Ref.</i>	<i>Part Number</i>	<i>Qty.</i>	<i>Description</i>
1	106-6716	1	Seal Kit
1:1		1	Ring-Seal, Dust ●
1:2		1	Seal-Shaft ●
1:3		1	Ring-Retaining ●
1:4		2	Ring-Retaining ●
1:5		5	Ring-Retaining ●

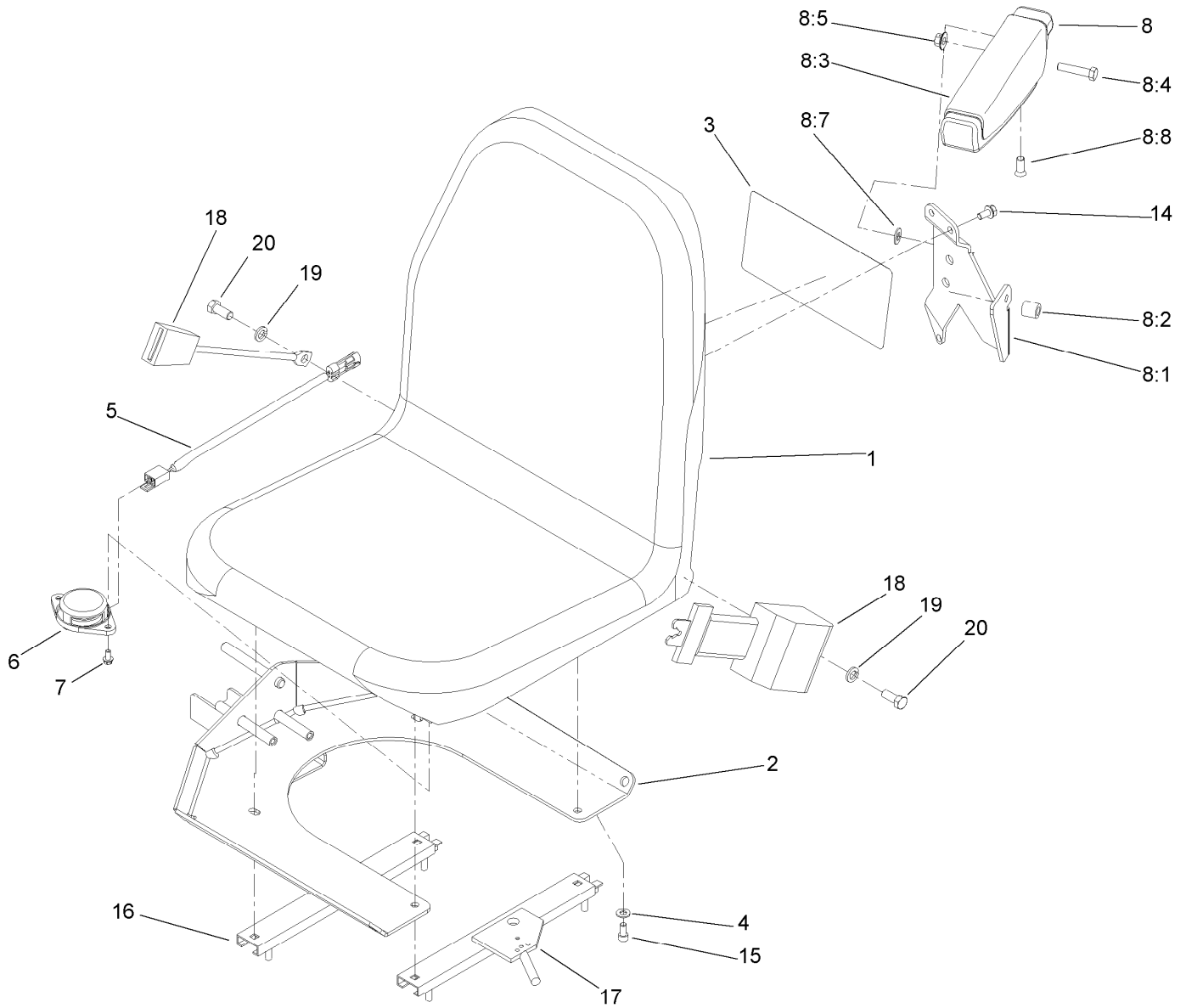
● Not serviced separately



## Traction Pedal Assembly

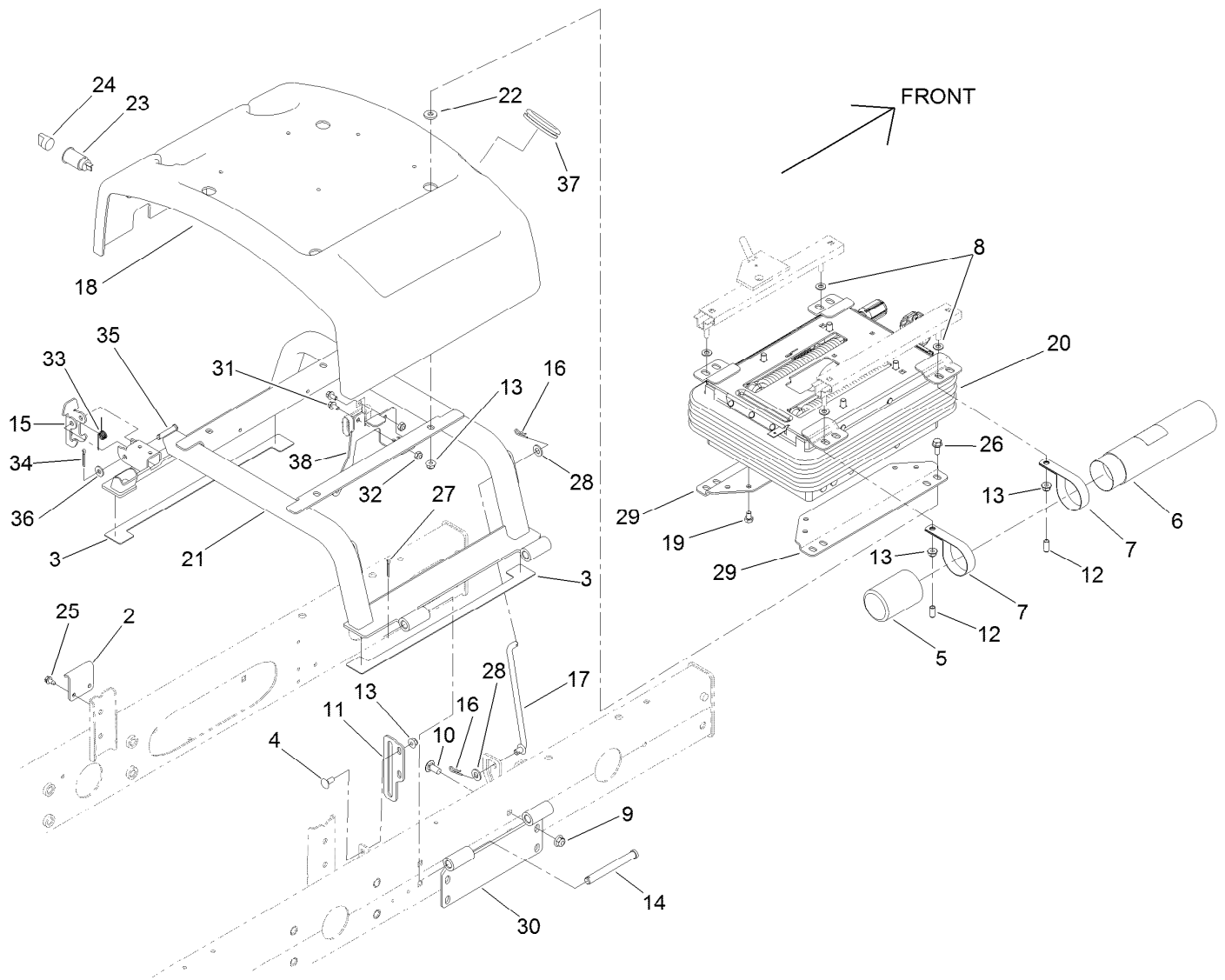
Ref.	Part Number	Qty.	Description	Ref.	Part Number	Qty.	Description
1	117-5199	1	Hub-Traction Pedal	19	3256-22	1	Washer-Flat
2	117-9507	1	Pedal-Accelerator	20	321-9	1	Screw-HH
3	74-9100	1	Pad-Pedal, Forward	21	93-2092	1	Clamp-Cable
4	256-236	2	Bearing-Mount, Flange	24	115-0282	1	Sensor-Proximity
5	106-3840	1	Pedal-Traction	24:1	117-3207	2	Nut-Hex
6	92-7305	1	Spring-Extension	24:2	117-3208	2	Washer-Lock, Internal Tooth
7	3234-5	6	Screw-HHF	25	256-156	2	Bushing-Flange
8	3296-29	6	Nut-Lock, NI	26	323-17	1	Screw-HH
9	32121-45	1	Pin-Spring	28	62-4420	8	Washer
10	74-9110	1	Pad-Pedal, Reverse	29	3296-39	1	Nut-Lock, NI
13	107-2084	1	Traction Cable ASM	30	117-8066	1	Mow-Stop
13:1	3220-1	2	Nut-Jam	31	32121-6	1	Pin-Roll, Slotted
15	3296-42	1	Nut-Lock, NI	32	106-3731	1	Rod-Pivot
16	66-8010	1	Spacer-Hub, Impeller	33	110-8921	1	Decal-Speed, Mow
17	2411-41	1	Rod End-Ball Joint	34	110-8982	1	Washer-Spring
18	33093-00	1	Washer-Flat	35	32121-16	1	Pin-Spring





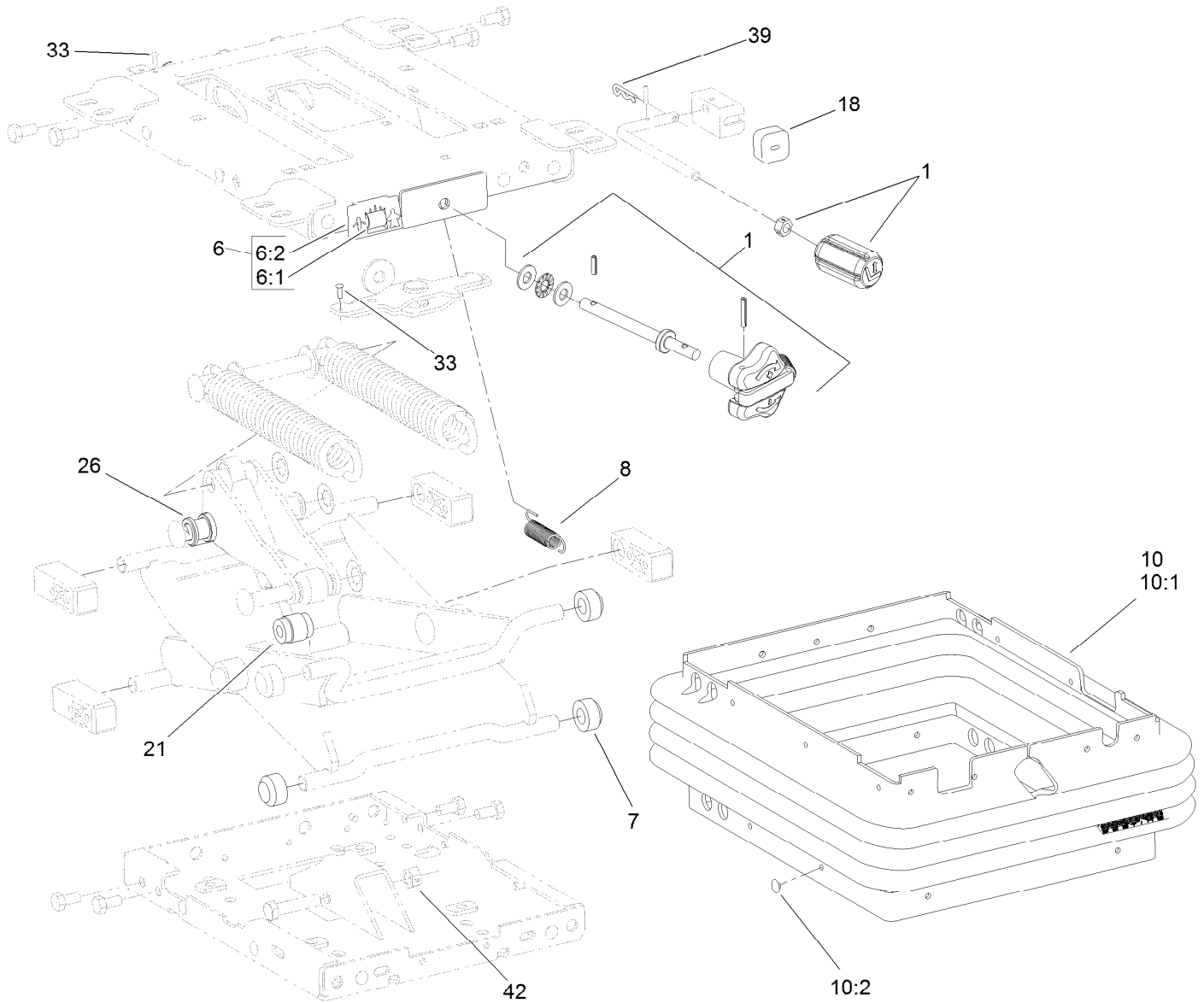
## Seat and Armrest Assembly

<i>Ref.</i>	<i>Part Number</i>	<i>Qty.</i>	<i>Description</i>	<i>Ref.</i>	<i>Part Number</i>	<i>Qty.</i>	<i>Description</i>
1	104-4620	1	Seat	8:4	323-9	1	Screw-HH
2	108-7591-03	1	Mount-Seat / Control	8:5	32128-19	1	Nut-HF
3	117-0168	1	Decal-Service	8:7	3256-24	1	Washer-Flat
4	3256-23	4	Washer-Flat	8:8	92-7318	1	Screw
5	108-8657	1	Harness-Wire, Seat	14	3234-14	3	Screw-HHF
6	92-6282	1	Switch-Seat	15	3274-12	4	Screw-HSH
7	9266714	2	Screw-HWH	16	92-8990	1	Adjuster-Slave
8	92-7307	1	LH Armrest ASM	17	92-8991	1	Adjuster ASM (w/Latch)
8:1	69-0760	1	Bracket-Arm, LH	18	100-4928	1	Belt-Seat
8:2	92-7301	1	Spacer	19	3253-6	2	Washer-Lock
8:3	69-1180	1	Armrest	20	3212-4	2	Screw-HH



## Seat Base and Suspension Assembly

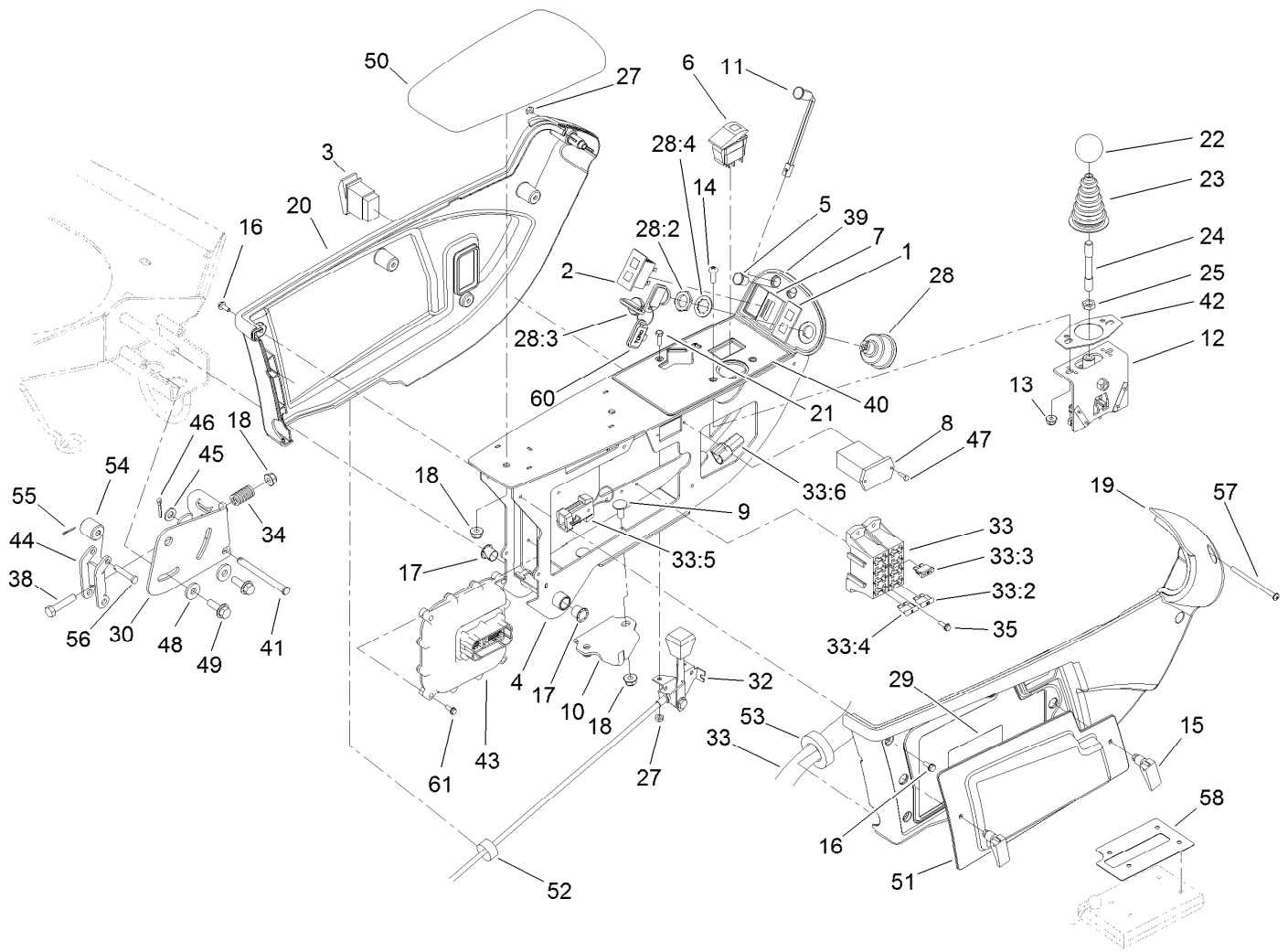
Ref.	Part Number	Qty.	Description	Ref.	Part Number	Qty.	Description
2	110-8972	1	Hook-Latch	21	108-7577-03	1	Seat Base
3	110-5255	2	Bumper-Base, Seat	22	71-9310	4	Spacer
4	3230-1	2	Bolt-CARR	23	99-7411	1	Point-Power
5	104-7048	1	Cap-Housing	24	99-7416	1	Cap
6	104-7050	1	Tube-Manual	25	32104-17	2	Screw-HWH
7	2412-133	2	R-Clamp	26	3234-17	4	Screw-HHF
8	3256-23	4	Washer-Flat	27	3272-11	2	Pin-Cotter
9	104-8301	4	Nut-Flange, NI	28	3256-24	4	Washer-Flat
10	3231-27	4	Screw-CARR	29	108-6590-03	2	Bracket-Seat, Lower
11	108-7584-01	1	Plate-Guide, Rod	30	108-7582-03	1	Plate-Pivot
12	94-2782	4	Cap-Wire, Lite	31	3234-13	2	Screw-HHF
13	104-8300	10	Nut-Flange, NI	32	3296-16	2	Nut-Lock, NI
14	283-83	2	Pin-Clevis	33	104-4821	1	Spring-Torsion
15	110-8971	1	Latch	34	3272-6	1	Pin-Cotter
16	3290-307	4	Pin-Hair	35	94-3829	1	Pin-Clevis
17	98-0917	2	Rod-Prop	36	3256-2	1	Washer-Flat
18	108-1757	1	Cover-Seatbase	37	240-12	1	Grommet
19	48-7680	4	Screw-HH	38	119-6973-03	1	Bracket-Harness
20	110-8851	1	Mechanical Suspension ASM				



## Mechanical Seat Suspension Assembly No. 110-8851

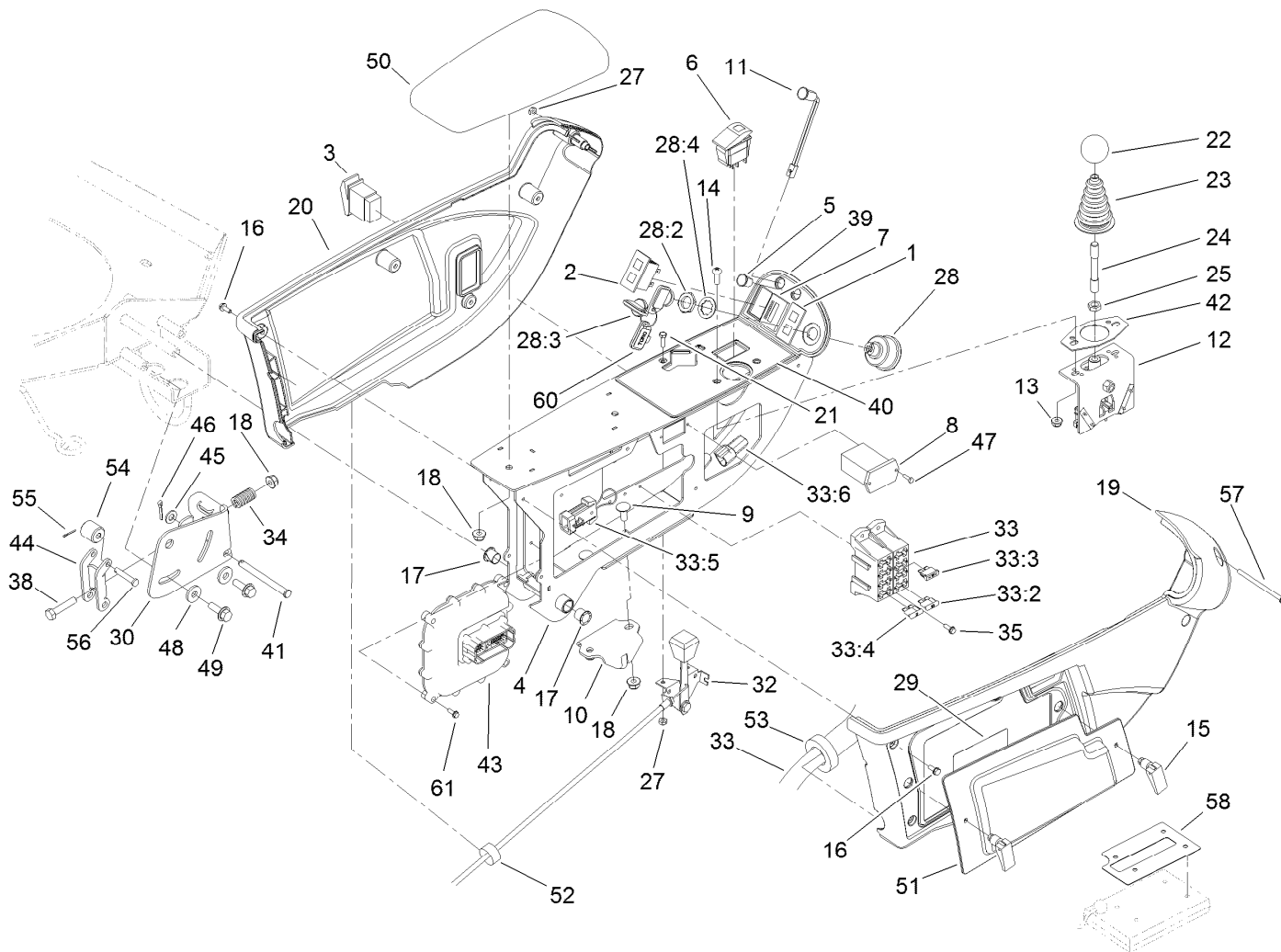
Ref.	Part Number	Qty.	Description
1	119-8040	1	Knobs Service Kit
6	108-4584	1	Weight Indicator Service Kit
6:1		1	Tape-Weight Adjust ●
6:2		1	Guide-Weight Adjust ●
7	108-9632	4	Roller
8	108-9633	1	Spring-Extension
10	112-0164	1	Boot Kit
10:1		1	Boot-Suspension ●
10:2	108-9641	21	Clip-Plug
18	108-9634	1	Bumper
21	108-9614	1	Damper
26	108-9622	2	Tube
33	3269-16	2	Rivet
39	3272-9	1	Pin-Cotter
42	32152-2	1	Nut-Lock, Cone

● Not serviced separately



## Console and Control Arm Assembly

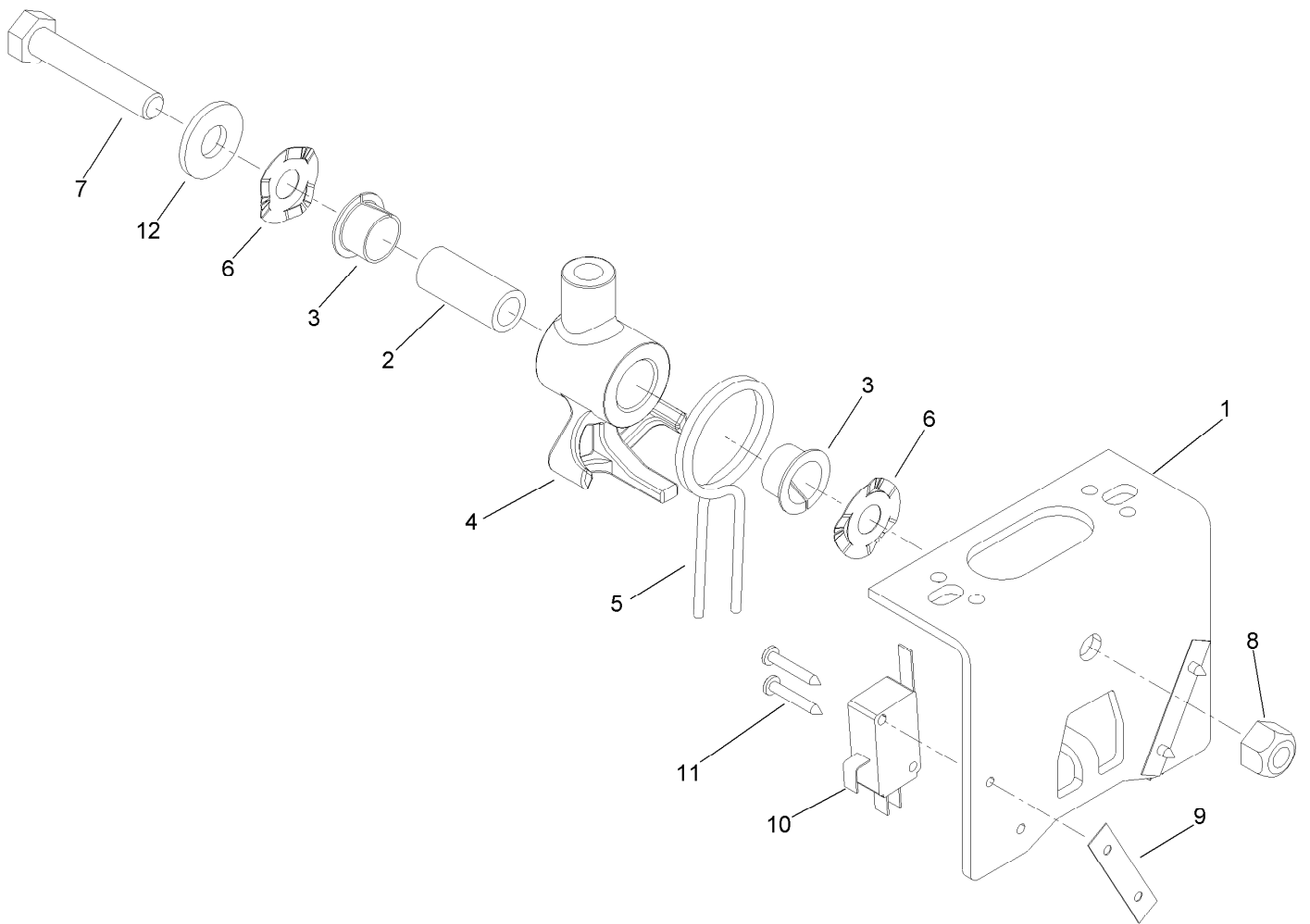
Ref.	Part Number	Qty.	Description	Ref.	Part Number	Qty.	Description
1	100-8070	1	Lamp-Warning	22	233-42	1	Knob
2	100-8071	1	Lamp-Warning	23	93-5961	1	Boot-Lever
3	95-8999	1	Switch	24	105-8288	1	Rod-Joystick
4	114-0449-03	1	Arm-Control	25	3218-3	1	Nut-Jam
5	2410-64	1	Plug-Button	27	3296-12	3	Nut-Lock, NI
6	105-4232	1	Switch	28	106-5269	1	Ignition Switch ASM
7	110-0941	1	Gauge-Temperature	28:2	108-8660	1	Nut-Mounting
8	75-6820	1	Hourmeter	28:3	106-5270	1	Ignition Key Set
9	3230-23	2	Screw-CARR	28:4	108-8659	1	Washer-Backup
10	110-5340	1	Latch	29	117-0169	1	Decal-Fuses
11	95-7652	1	Light-Indicator	30	110-5313-03	1	Bracket-Retainer
12	106-4167	1	Joystick Bracket ASM	32	114-8886	1	Control-Throttle
13	104-7201	2	Nut-HF	33	119-1345	1	Harness-Wire, Seat
14	3258-166	2	Screw-PRH	33:2	114241	3	Fuse-Blade, 7.5 Amp
15	74-5950	2	Latch-Swell	33:3	218-578	3	Fuse-Blade, 10 Amp
16	104-2065	10	Screw-HWH	33:4	109355	1	Fuse-Blade, 15 Amp
17	256-257	2	Bushing-Nyliner	33:5	85-4650	1	Connector
18	104-8300	5	Nut-Flange, NI	33:6	32180-043	1	Resistor-120 Ohm
19	108-7605	1	Cover-RH	34	110-5331	1	Spring-Compression
20	108-7604	1	Cover-LH	35	32144-87	4	Screw-HWHTF
21	3290-134	2	Screw	38	322-7	1	Screw-HH



## Console and Control Arm Assembly (continued)

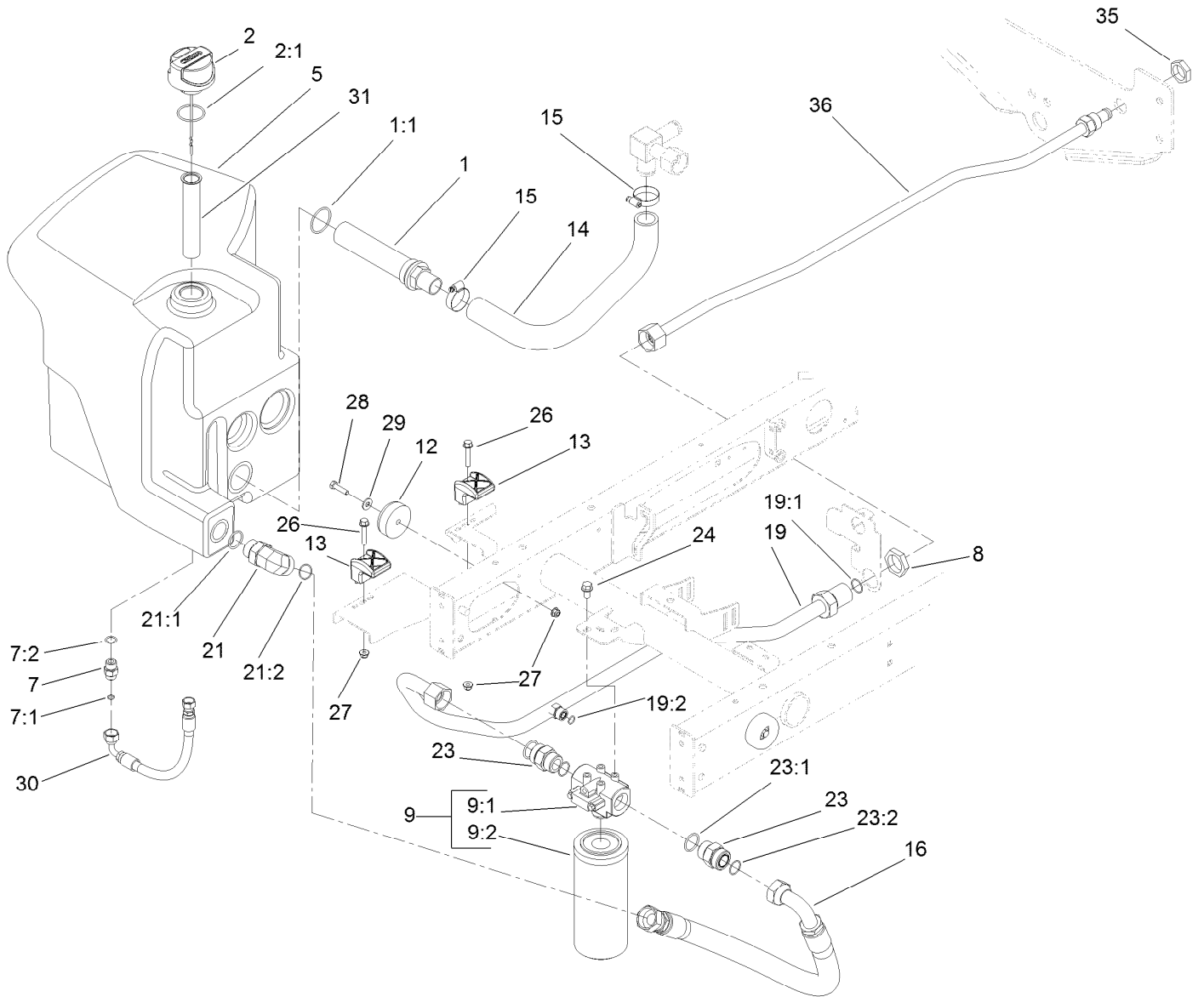
Ref.	Part Number	Qty.	Description
39	117-2385	1	Decal-Console, Upper
40	117-0170	1	Decal-Controls
41	283-88	1	Pin-Clevis
42	112-9181	1	Plate-Boot
43	114-3321	1	Controller-Tec
44	110-5314	1	Latch
45	3256-23	1	Washer-Flat
46	3272-10	1	Pin-Cotter
47	32144-18	2	Screw-HWH
48	4-2390	2	Washer-Flat
49	3234-29	2	Screw-HHF

Ref.	Part Number	Qty.	Description
50	108-7602	1	Rest-Arm
51	114-0446	1	Panel-Access
52	110-8911	1	Seal-Foam
53	110-8912	1	Seal-Foam
54	110-8856	1	Spacer
55	3272-1	1	Pin-Cotter
56	283-73	1	Pin-Clevis
57	3250-22	1	Screw-PPH
58	117-0171	1	Overlay-Diagnostics
60	99-8970	1	Key-Latch, Hood
61	32144-86	4	Screw-HWHTF



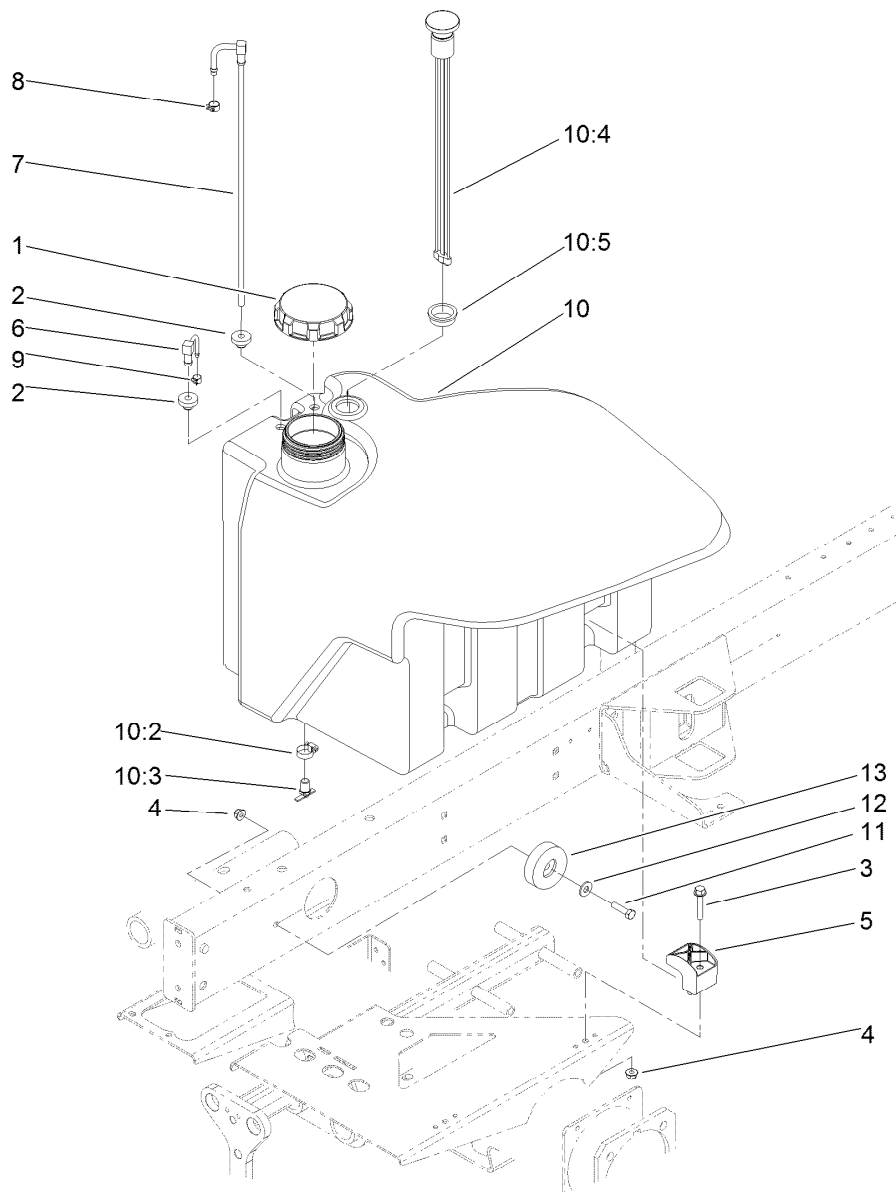
## Joystick Bracket Assembly No. 106-4167

<i>Ref.</i>	<i>Part Number</i>	<i>Qty.</i>	<i>Description</i>
1	115-5357-03	1	Bracket-Joystick
2	106-4192	1	Spacer
3	93-5547	2	Bushing-Nylon
4	105-7507	1	Hub-Pivot, Joystick
5	105-8289	1	Spring-Torsion
6	106-4193	2	Washer-Finger, Spring
7	322-9	1	Screw-HH
8	3296-29	1	Nut-Lock, NI
9	3290-354	2	Nut-Speed
10	108-6496	2	Switch (W/Boot)
11	95-3003	4	Screw-PPHTF
12	3256-3	1	Washer-Flat



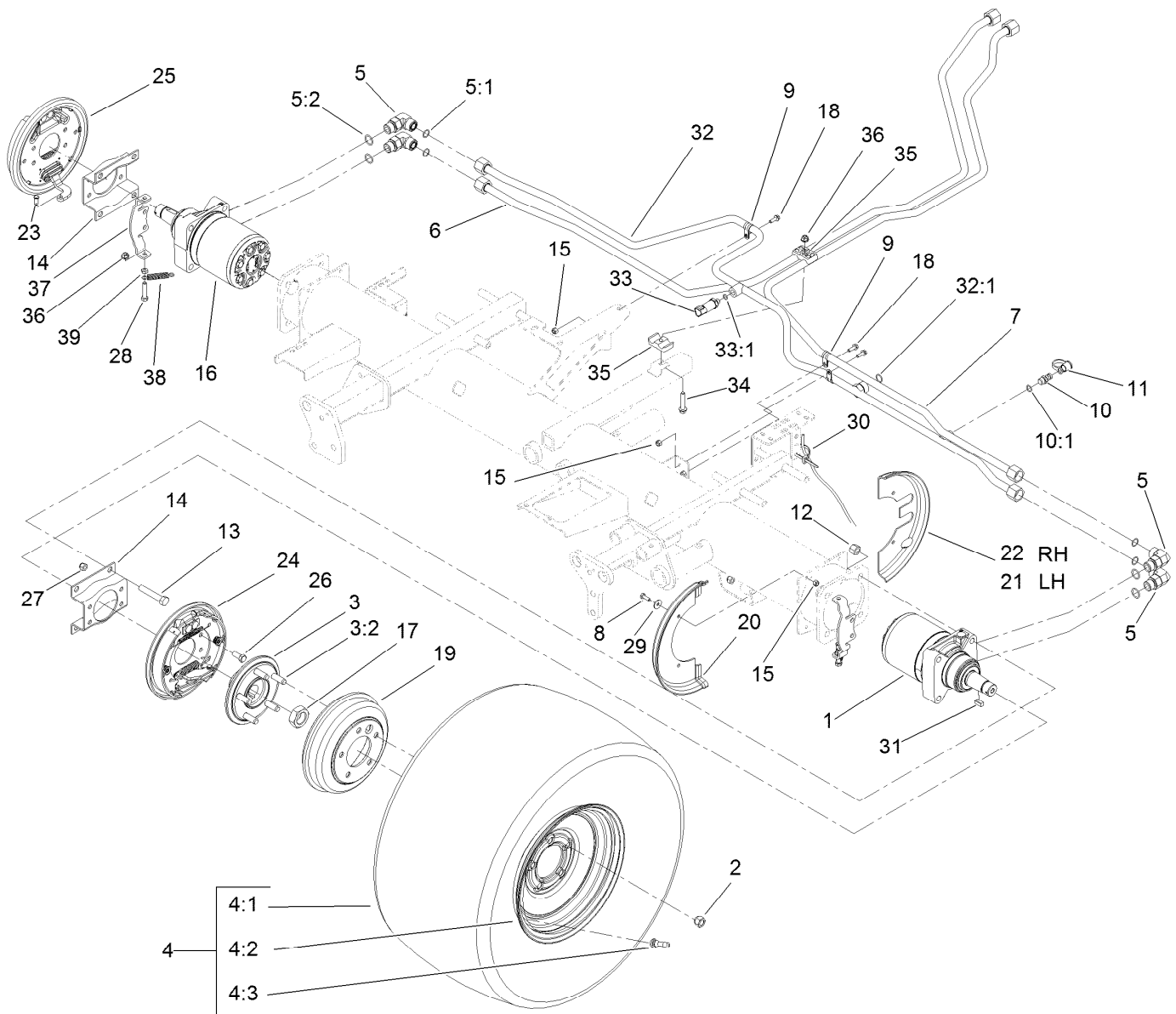
## Hydraulic Tank Assembly

Ref.	Part Number	Qty.	Description	Ref.	Part Number	Qty.	Description
1	105-0131	1	Strainer-Tank, Oil	19	108-1699	1	Tube ASM
1:1	340-136	1	O-Ring	19:1	340-65	1	O-Ring
2	117-0193	1	Cap-Hydraulic, Vented Breather	19:2	237-30	1	O-Ring
2:1	237-101	1	O-Ring	21	340-129	1	Fitting-HYD, 90 DEG
5	114-0392	1	Tank-Hydraulic	21:1	237-146	1	O-Ring
7	340-3	1	Adapter	21:2	340-65	1	O-Ring
7:1	237-22	1	O-Ring	23	104-3797	2	Fitting-HYD, Straight
7:2	237-79	1	O-Ring	23:1	237-146	1	O-Ring
8	340-128	1	Nut-Bulkhead	23:2	340-65	1	O-Ring
9	98-3923	1	Oil Filter ASM	24	3234-1	2	Screw-HHF
9:1	104-0080	1	Filter Head ASM	26	94-5780	2	Screw-HWH
9:2	94-2621	1	Element-Filter	27	104-8300	3	Nut-Flange, NI
12	108-1605	1	Bumper-Recess	28	322-6	1	Screw-HH
13	107-4543	2	Clamp	29	3256-3	1	Washer-Flat
14	108-1685	1	Hose-Formed	30	66-8490	1	Hose-HYD
15	2412-111	2	Clamp	31	61-2790	1	Filter-Screen
16	108-1689	1	Hose-HYD	35	340-126	1	Nut-Bulkhead
				36	108-1691	1	Tube ASM



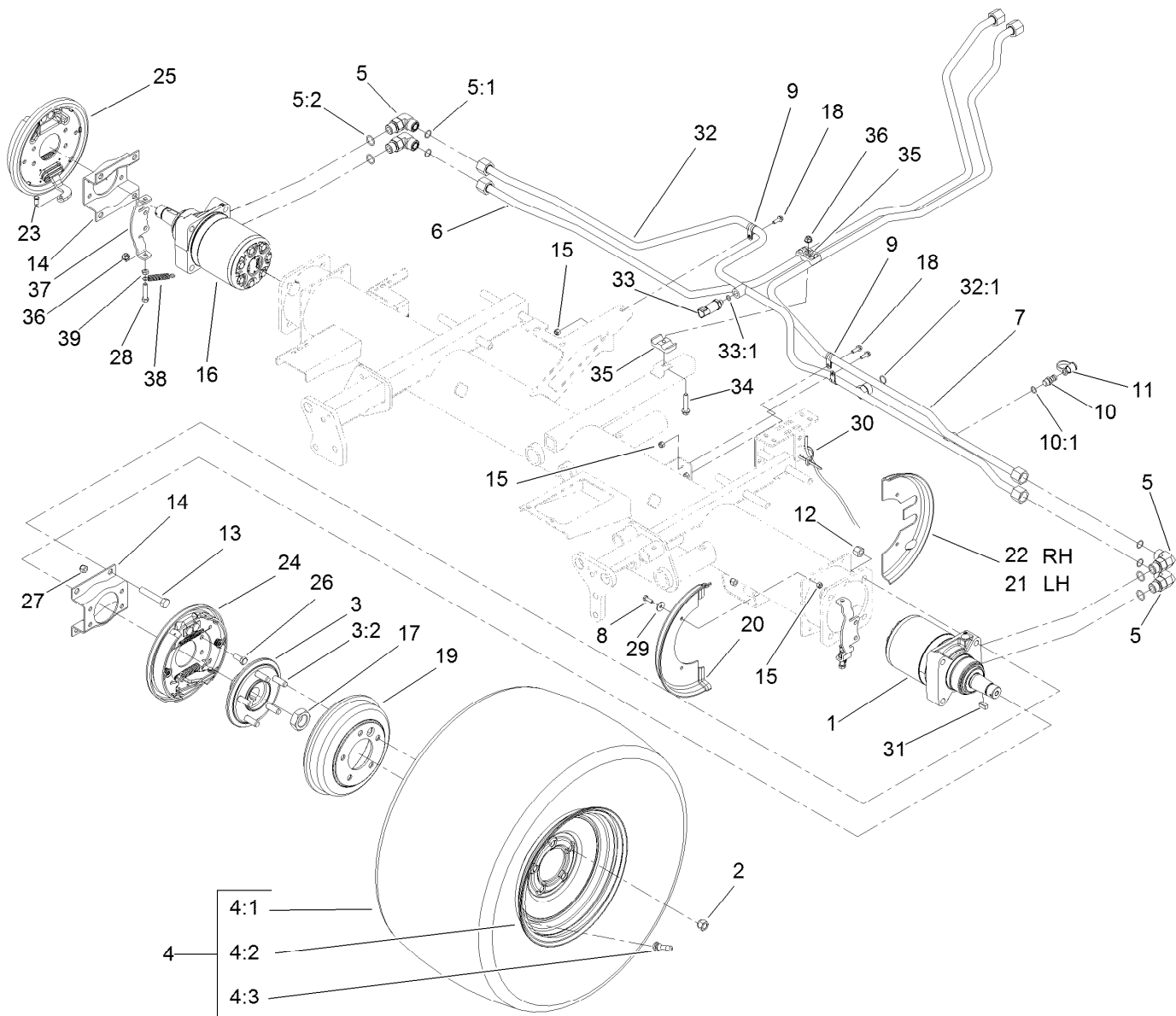
## Fuel Tank Assembly

<i>Ref.</i>	<i>Part Number</i>	<i>Qty.</i>	<i>Description</i>	<i>Ref.</i>	<i>Part Number</i>	<i>Qty.</i>	<i>Description</i>
1	114-5062	1	Cap-Biodiesel	10	117-0114	1	Fuel Tank ASM
2	46-6560	2	Bushing	10:2	2412-36	1	Clamp-Hose
3	94-5780	2	Screw-HWH	10:3	304-46	1	Draincock
4	104-8300	3	Nut-Flange, NI	10:4	108-1640	1	Gauge-Fuel
5	107-4543	2	Clamp	10:5	95-8972	1	Grommet
6	108-1643	1	Fitting-Return	11	322-6	1	Screw-HH
7	110-9031	1	Fitting-Suction	12	3256-3	1	Washer-Flat
8	92-2379	1	Clamp-Hose	13	108-1605	1	Bumper-Recess
9	2412-146	1	Clamp-Hose				



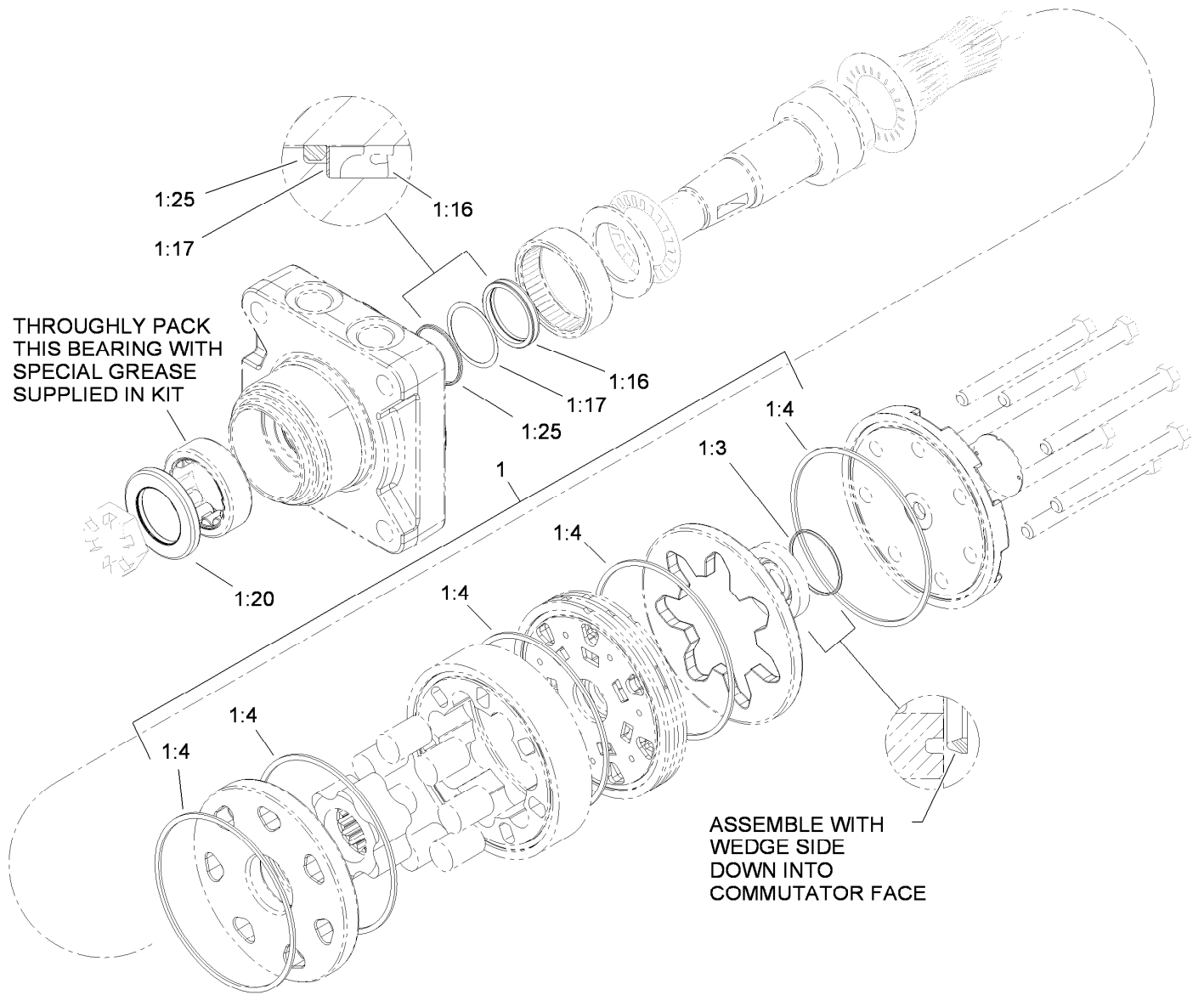
## Front Wheel, Brake and Hydraulic Motor Assembly

Ref.	Part Number	Qty.	Description	Ref.	Part Number	Qty.	Description
1	114-8857	1	HYD Motor ASM	15	3296-42	11	Nut-Lock, NI
2	242-50	10	Nut-Lug	16	114-8858	1	HYD Motor ASM
3	114-8876	2	Hub ASM	17	107-9319	2	Nut-Hex
3:2	10-6830	5	Stud-Type, Drive	18	3234-4	3	Screw-HHF
4	117-5194	2	Tire ASM	19	114-8864	2	Drum-Brake
4:1	117-5196	1	Tire	20	110-0950	2	Shield-Wheel, Front
4:2	117-5197	1	Wheel	21	110-0951	1	Shield-Wheel, Rear (LH)
4:3	232-27	1	Stem-Valve	22	110-8878	1	Shield-Wheel, Rear (RH)
5	340-17	4	Fitting-HYD, 90 DEG	23	283-62	2	Pin-Clevis
5:1	237-65	1	O-Ring	24	110-8872	1	LH Brake ASM
5:2	237-80	1	O-Ring	25	110-8871	1	RH Brake ASM
6	114-0425	1	Hydraulic Tube ASM	26	323-6	8	Screw-HH
7	114-0424	1	Hydraulic Tube ASM	27	3296-39	8	Nut-Lock, NI
8	321-4	8	Screw-HH	28	322-7	2	Screw-HH
9	2412-134	3	Clamp-R	29	3256-67	8	Washer-Flat
10	59-7410	1	Fitting-Diagnostic	30	3290-378	2	Tie-Cable
10:1	237-42	1	O-Ring	31	117-5198	2	Key-Square
	354-79	1	Cap-Dust	32	114-0389	1	Hydraulic Tube ASM
11	354-79	1	Cap-Dust	32:1	237-65	1	O-Ring
12	3296-23	8	Nut-Lock, NI	33	119-0011	1	Pressure Transducer ASM
13	325-11	8	Screw-HH	33:1	237-78	1	O-Ring
14	110-5343-03	2	Bracket-Brake				



## Front Wheel, Brake and Hydraulic Motor Assembly (continued)

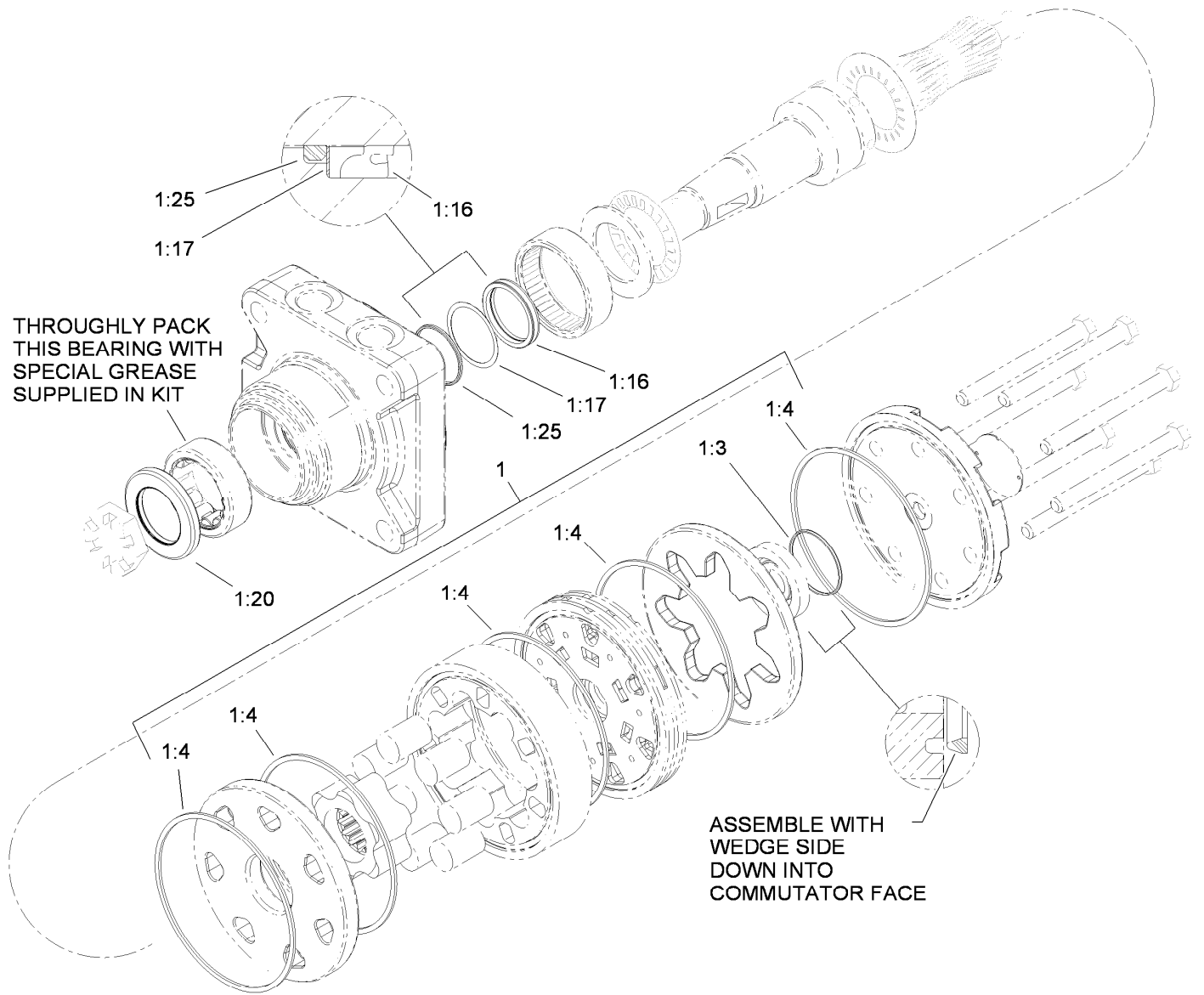
Ref.	Part Number	Qty.	Description	Ref.	Part Number	Qty.	Description
34	94-5780	1	Screw-HWH	37	117-0203-03	2	Bracket-Brake Spring
35	56-7971	2	Clamp-Tube	38	87-4020	2	Spring-Extension
36	104-8300	3	Nut-Flange, NI	39	3218-2	2	Nut-Jam



## Hydraulic Motor Assembly No. 114-8857

Ref.	Part Number	Qty.	Description
1	110-8896	1	Seal Kit
1:3		1	Seal-Commutator, Vespel ●
1:4		6	Seal-Body, Buna ●
1:16		1	Seal-Shaft ●
1:17		1	Washer-Back Up ●
1:20		1	Seal-Dirt/Water ●
1:25		1	Ring-Back Up ●

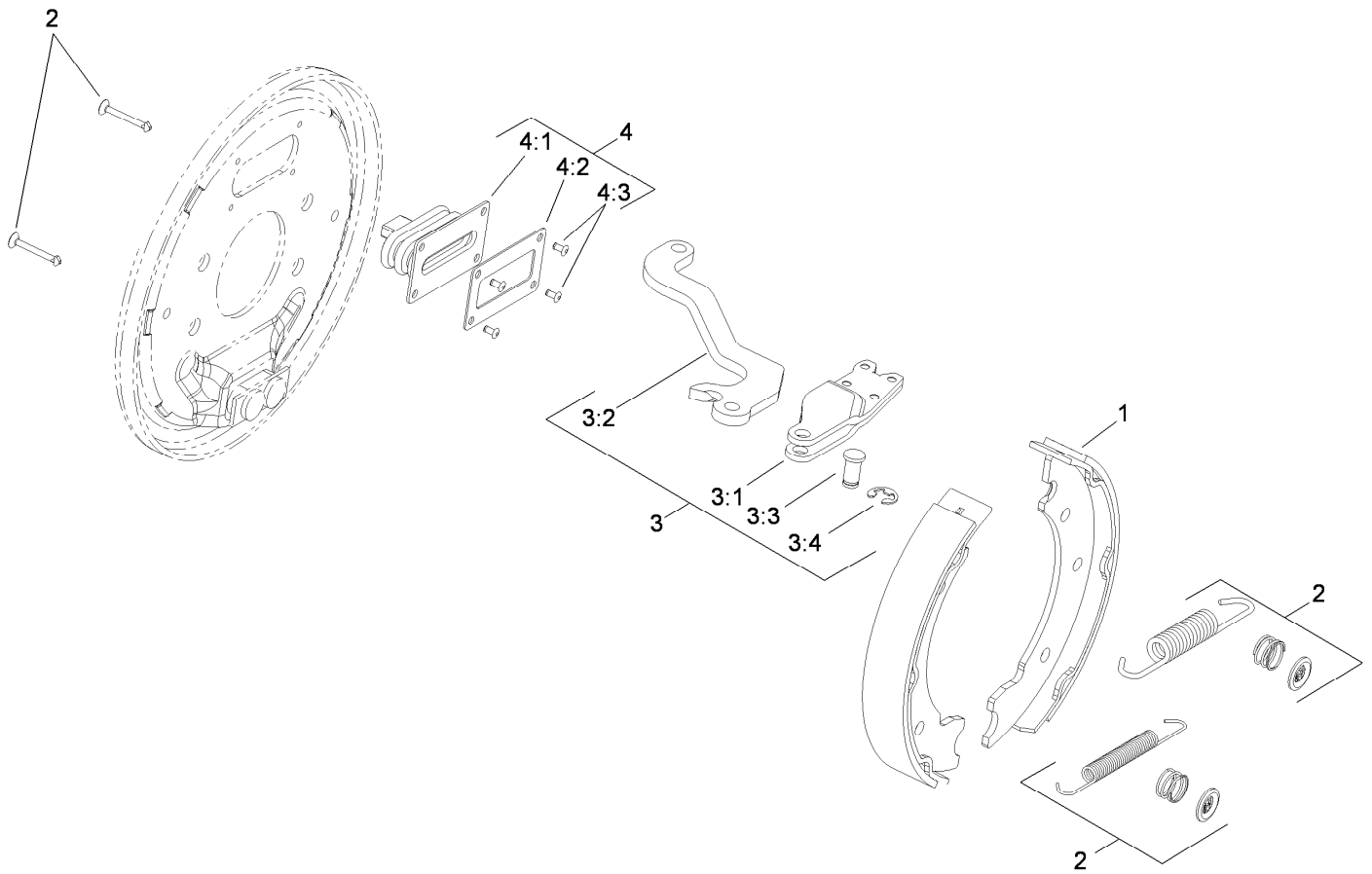
● Not serviced separately



## Hydraulic Motor Assembly No. 114-8858

Ref.	Part Number	Qty.	Description
1	110-8896	1	Seal Kit
1:3		1	Seal-Commutator, Vespel ●
1:4		6	Seal-Body, Buna ●
1:16		1	Seal-Shaft ●
1:17		1	Washer-Back Up ●
1:20		1	Seal-Dirt/Water ●
1:25		1	Ring-Back Up ●

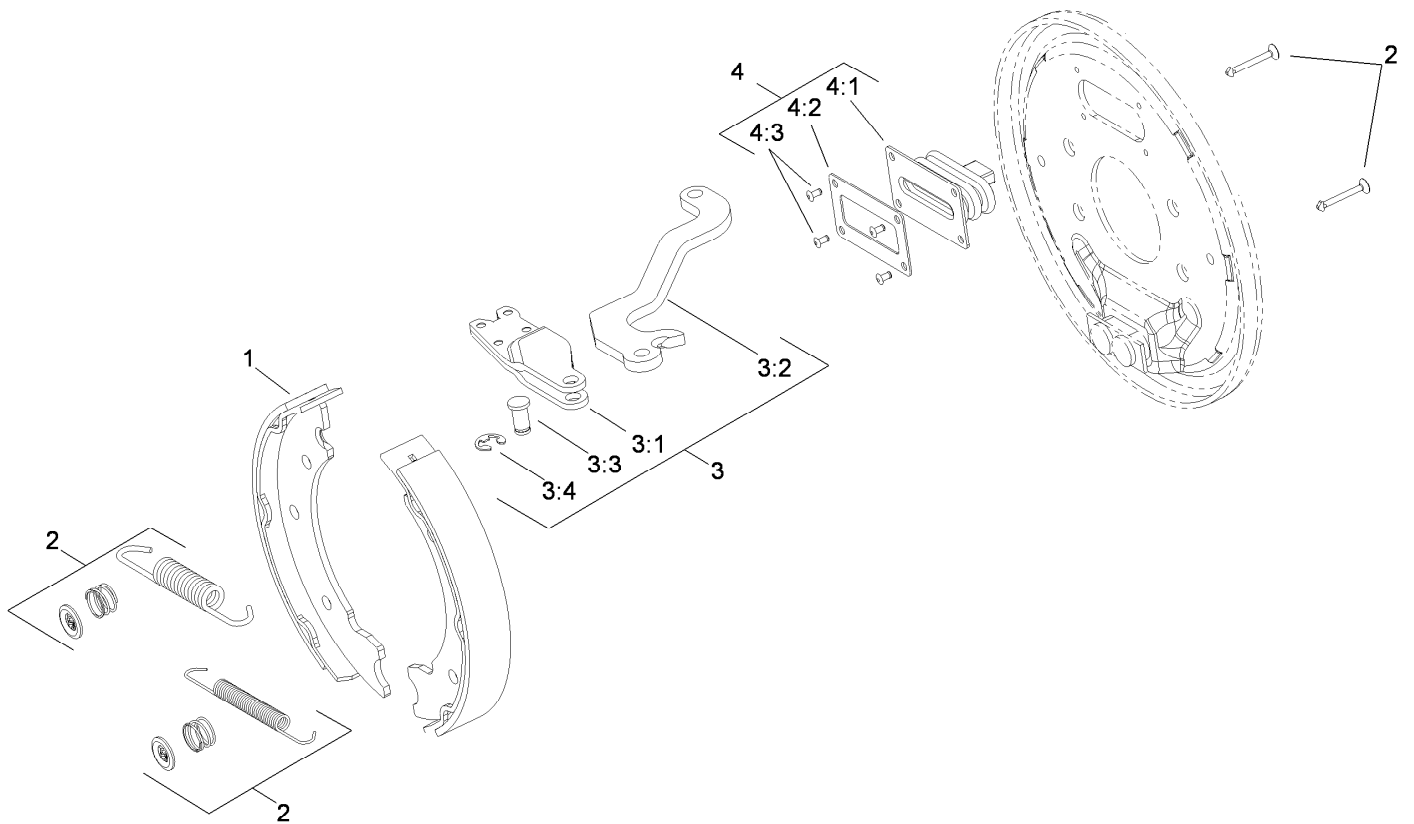
● Not serviced separately



## LH Brake Assembly No. 110-8872

Ref.	Part Number	Qty.	Description
1	108-6981	1	Brake Shoe Kit
2	108-6983	1	Brake Hardware Kit
3	110-8910	1	LH Actuator Kit
3:1		1	Housing ●
3:2		1	Lever-LH ●
3:3		1	Pin-Pivot ●
3:4		1	E-Ring ●
4	110-8885	1	Dust Boot Kit
4:1		1	Boot ●
4:2		1	Plate-Back Up ●
4:3		2	Rivet ●

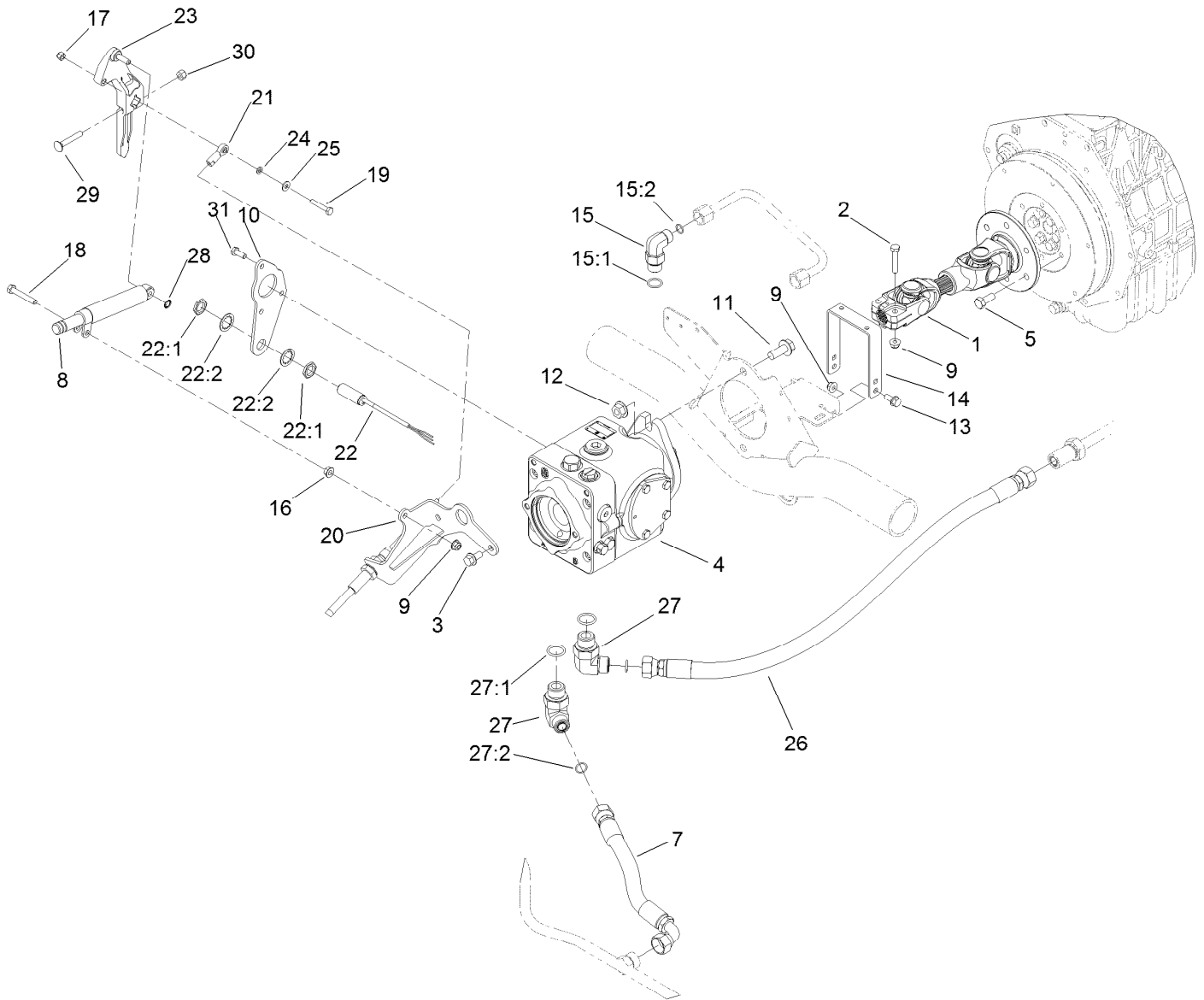
● Not serviced separately



## RH Brake Assembly No. 110-8871

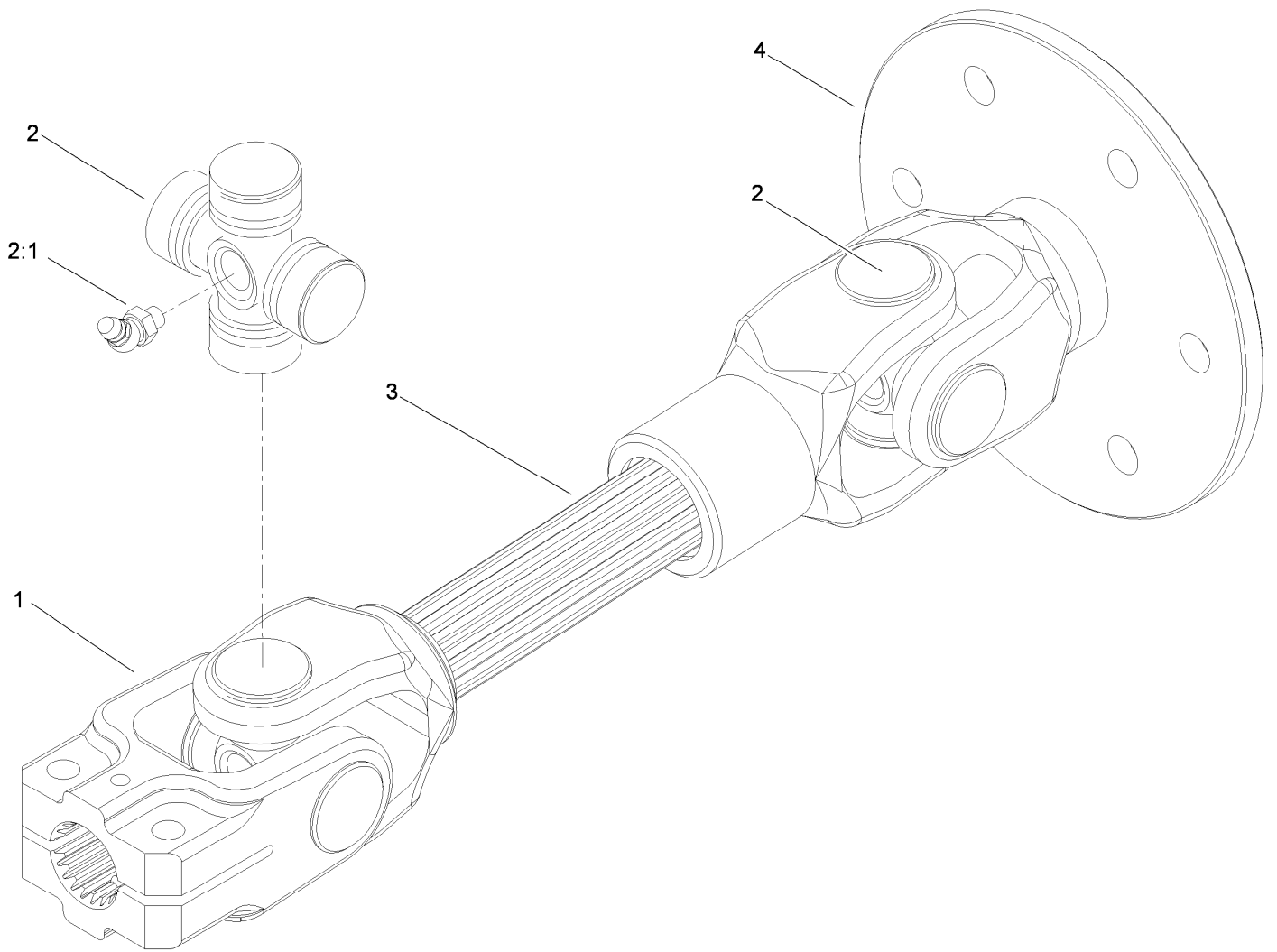
Ref.	Part Number	Qty.	Description
1	108-6981	1	Brake Shoe Kit
2	108-6983	1	Brake Hardware Kit
3	110-8884	1	RH Actuator Kit
3:1		1	Housing ●
3:2		1	Lever-RH ●
3:3		1	Pin-Pivot ●
3:4		1	E-Ring ●
4	110-8885	1	Dust Boot Kit
4:1		1	Boot ●
4:2		1	Plate-Back Up ●
4:3		2	Rivet ●

● Not serviced separately



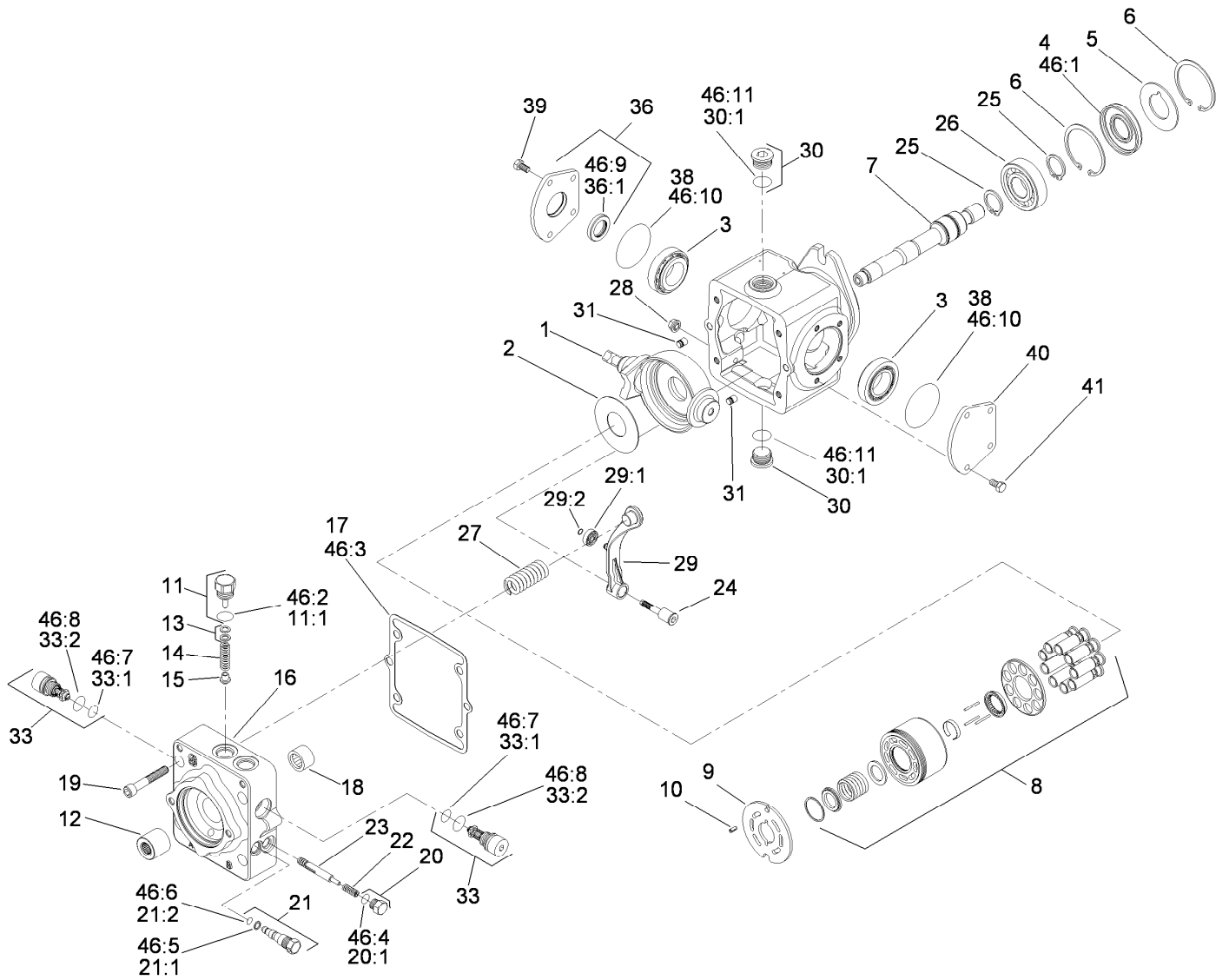
## Driveshaft and Variable Pump Hydraulic Fitting Assembly

Ref.	Part Number	Qty.	Description	Ref.	Part Number	Qty.	Description
1	108-1641	1	Driveshaft ASM	18	322-10	1	Screw-HH
2	322-9	2	Screw-HH	19	321-9	1	Screw-HH
3	3234-1	2	Screw-HHF	20	110-5323-03	1	Bracket
4	119-6972	1	HYD Variable Pump ASM	21	2411-41	1	Rod End-Ball Joint
5	43-0090	6	Screw-HH	22	115-5300	1	Proximity Switch ASM
7	108-1679	1	Hose-HYD	22:1	117-3207	2	Nut-Hex
8	76-8870	1	Damper-Lever	22:2	117-3208	2	Washer-Lock, Internal Tooth
9	104-8300	5	Nut-Flange, NI	23	117-0265	1	Lever-Pump
10	119-6971-03	1	Plate-Pump	24	33093-00	1	Washer-Flat
11	3234-38	2	Screw-HHF	25	3256-22	1	Washer-Flat
12	32128-49	2	Nut-HHF	26	108-7645	1	Hose-HYD
13	3234-5	2	Screw-HHF	27	340-139	2	Fitting-HYD, 90 DEG
14	108-1799-03	1	Hoop-Guard	27:1	237-81	1	O-Ring
15	340-105	1	Fitting-HYD, 90 DEG	27:2	237-65	1	O-Ring
15:1	237-80	1	O-Ring	28	32151-72	1	Ring-Retaining
15:2	237-30	1	O-Ring	29	3230-6	1	Screw-CARR
16	32128-20	1	Nut-HF	30	3296-29	1	Nut-Lock, NI
17	3296-42	2	Nut-Lock, NI	31	33114-020	3	Screw-HH



## Driveshaft Assembly No. 108-1641

<i>Ref.</i>	<i>Part Number</i>	<i>Qty.</i>	<i>Description</i>
1	54-9040	1	Yoke-End
2	54-9180	2	U-Joint Kit
2:1	62-3820	1	Fitting-Grease
3	108-4574	1	Joint And Shaft ASM
4	108-4575	1	Joint And Yoke ASM

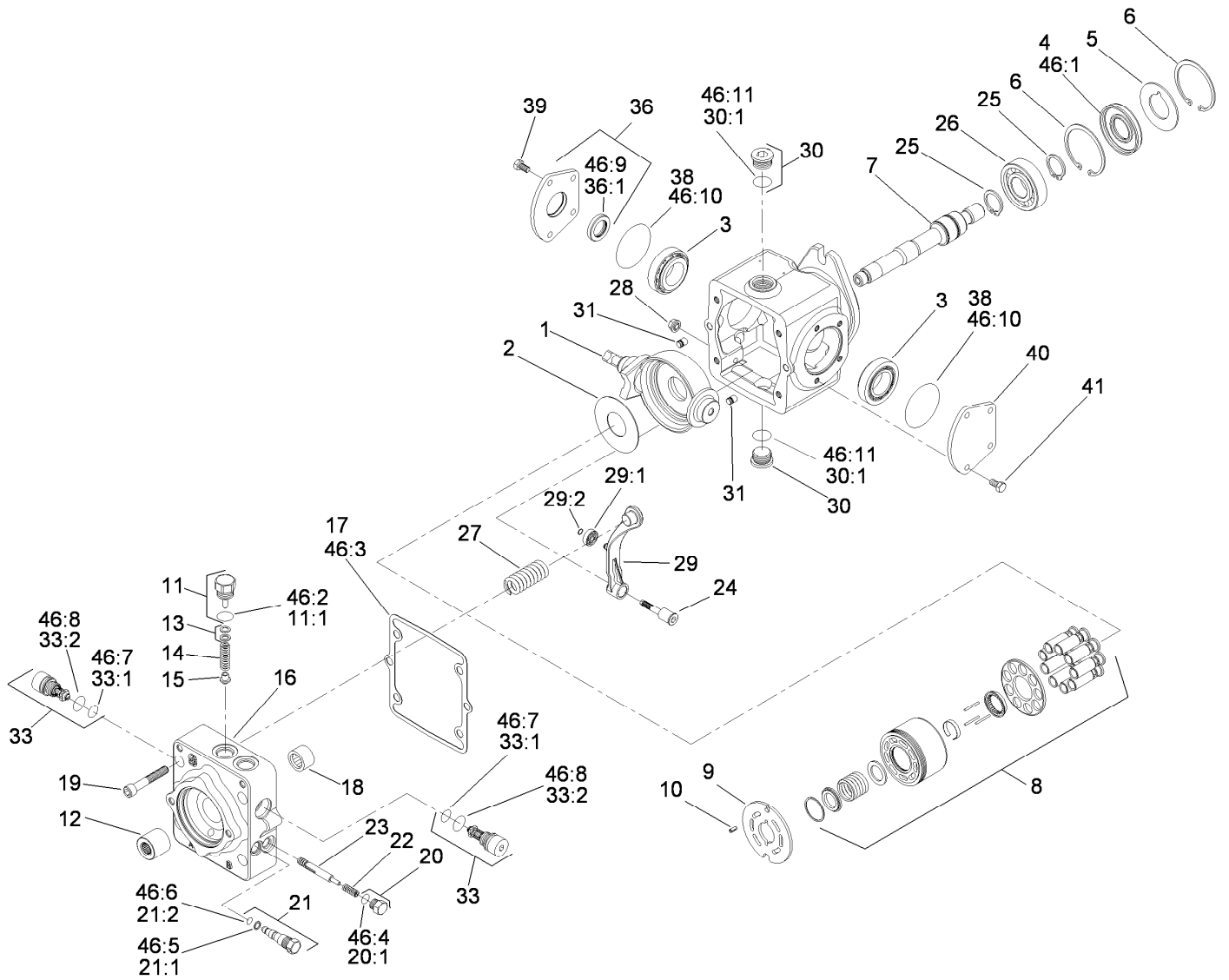


## Hydraulic Pump Assembly No. 119-6972

Ref.	Part Number	Qty.	Description	Ref.	Part Number	Qty.	Description
1	115-8092	1	Swashplate	18	75-0500	1	Bearing-Needle
2	75-0400	1	Plate-Thrust	19	110-6489	4	Screw
3	110-6483	2	Bearing Kit	20	94-9415	2	Plug ASM
4	110-6471	1	Seal-Lip	20:1		1	Ring-Retaining ■
5	95-4400	1	Washer-Backup	21	107-4364	1	Bypass Valve ASM
6	69-3200	2	Ring-Retaining	21:1	25-2630	1	Ring-Back Up
7	110-6484	1	Shaft-Auxiliary	21:2	110-6498	1	O-Ring
8	110-6472	1	Cylinder Block Kit	22	110-6491	2	Spring
9	110-6473	1	Plate-Valve (Clockwise)	23	110-6492	1	Spool-Loop, Flush
10	110-6485	1	Pin-Slotted	24	110-6493	1	Pivot-Return, Neutral
11	110-6486	1	Plug-Relief, Charge	25	69-3170	2	Ring-Retaining
11:1	28-3570	1	O-Ring	26	75-0460	1	Bearing-Ball
12	110-6480	1	Coupling	27	115-8085	1	Spring-Neutral Return
13	92-1353	1	Shim Kit	28	110-6496	1	Nut-Seal
14	110-6474	1	Spring	29	110-6497	1	Neutral Return Arm ASM
15	110-6475	1	Poppet	29:1	110-6494	1	Bearing-Cam
16	115-8087	1	Cap-End	29:2	110-3056	1	Ring-Retaining
17	110-6476	1	Gasket-Cap, End	30	69-3130	2	Plug

● Not illustrated

■ Not serviced separately

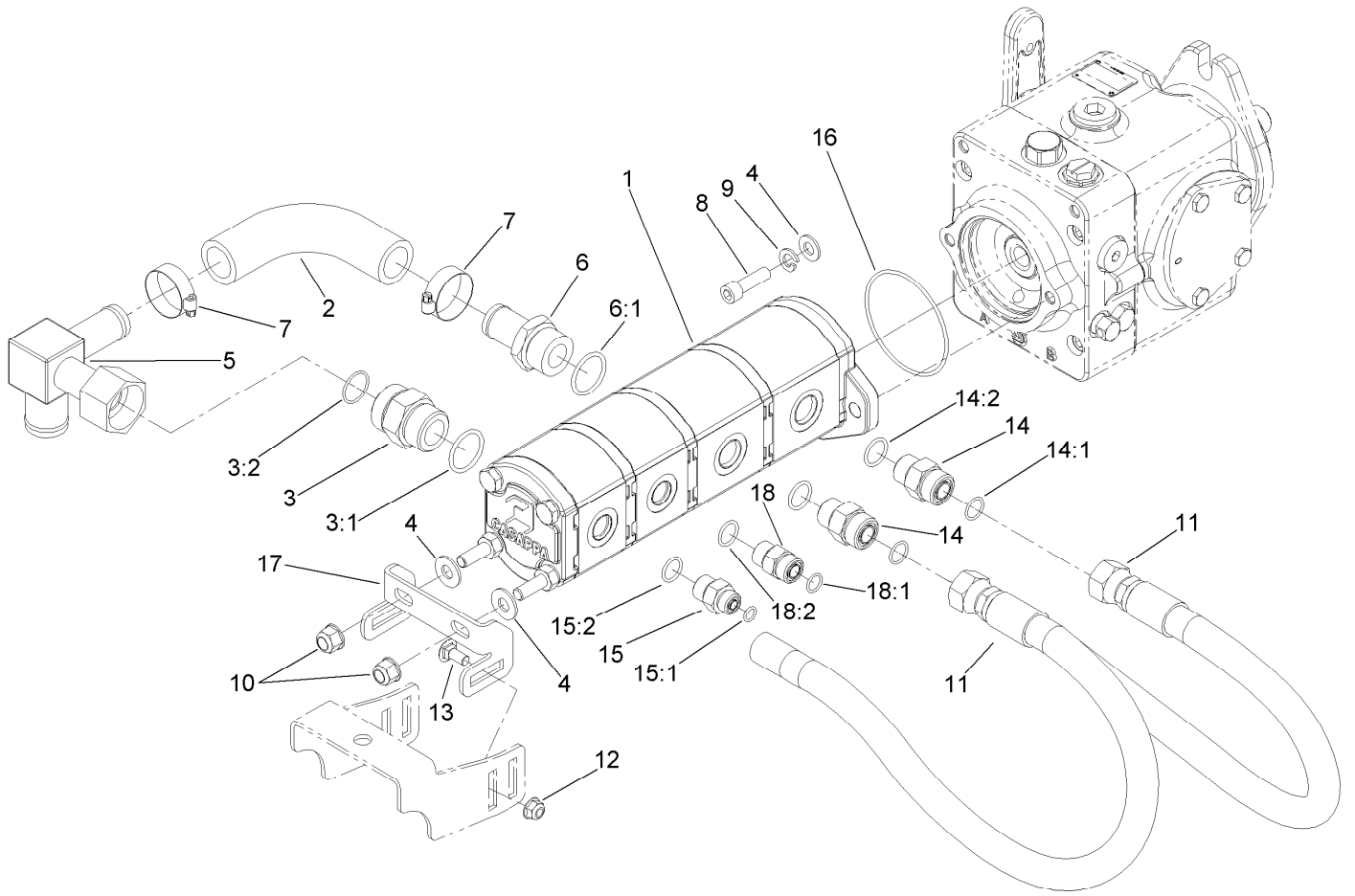


## Hydraulic Pump Assembly No. 119-6972 (continued)

Ref.	Part Number	Qty.	Description	Ref.	Part Number	Qty.	Description
30:1		1	Ring-Retaining ■	46:1	110-6471	1	Seal-Lip
31	112-0158	2	Pin	46:2	28-3570	1	O-Ring
33	110-6477	2	Valve-Relief	46:3	110-6476	1	Gasket-Cap, End
33:1	75-0240	1	O-Ring	46:4		1	Ring-Retaining ■
33:2	84-0560	1	O-Ring	46:5	25-2630	1	Ring-Back Up
36	110-6499	1	Trunnion Cover ASM	46:6	110-6498	1	O-Ring
36:1	110-6478	1	Seal-Lip	46:7	75-0240	2	O-Ring
38	84-0430	2	O-Ring	46:8	84-0560	2	O-Ring
39	112-0150	4	Screw	46:9	110-6478	1	Seal-Lip
40	84-0440	1	Cover-Trunnion	46:10	84-0430	2	O-Ring
41	112-0151	4	Screw	46:11		2	Ring-Retaining ■
46	110-6481	1	Seal Kit ●				

● Not illustrated

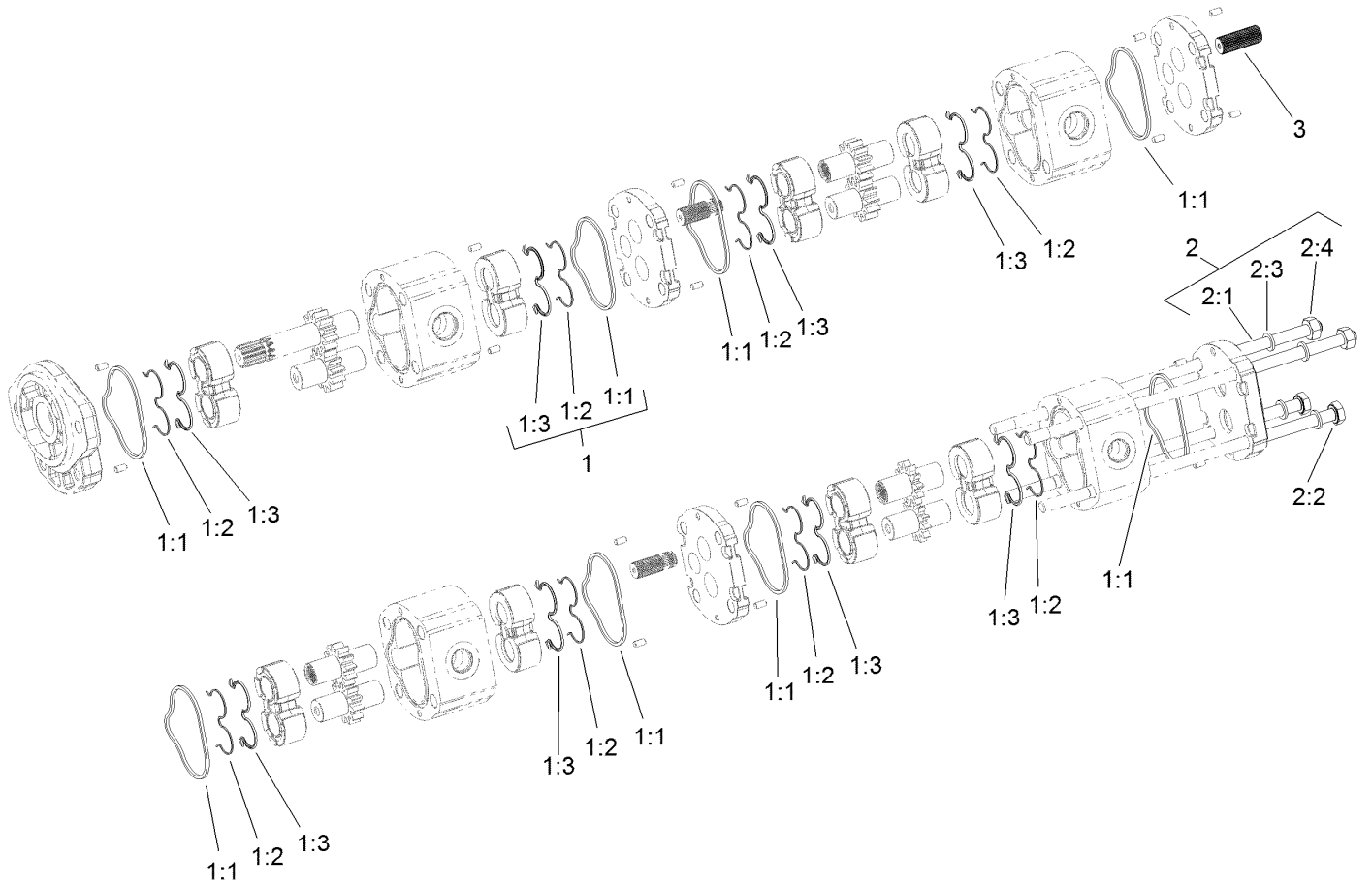
■ Not serviced separately



## Gear Pump Hydraulic Plumbing Assembly

<i>Ref.</i>	<i>Part Number</i>	<i>Qty.</i>	<i>Description</i>
1	108-4003	1	Gear Pump ASM
2	108-1683	1	Hose-Formed
3	104-3797	1	Fitting-HYD, Straight
3:1	237-146	1	O-Ring
3:2	340-65	1	O-Ring
4	3256-24	4	Washer-Flat
5	108-1672	1	Manifold-Tube
6	354-78	1	Connector-Hose
6:1	237-146	1	O-Ring
7	2412-34	2	Clamp-Hose
8	3274-1	2	Screw-HSH
9	3253-5	2	Washer-Lock
10	103-9511	2	Nut-Lock
11	108-1686	2	Hose-HYD

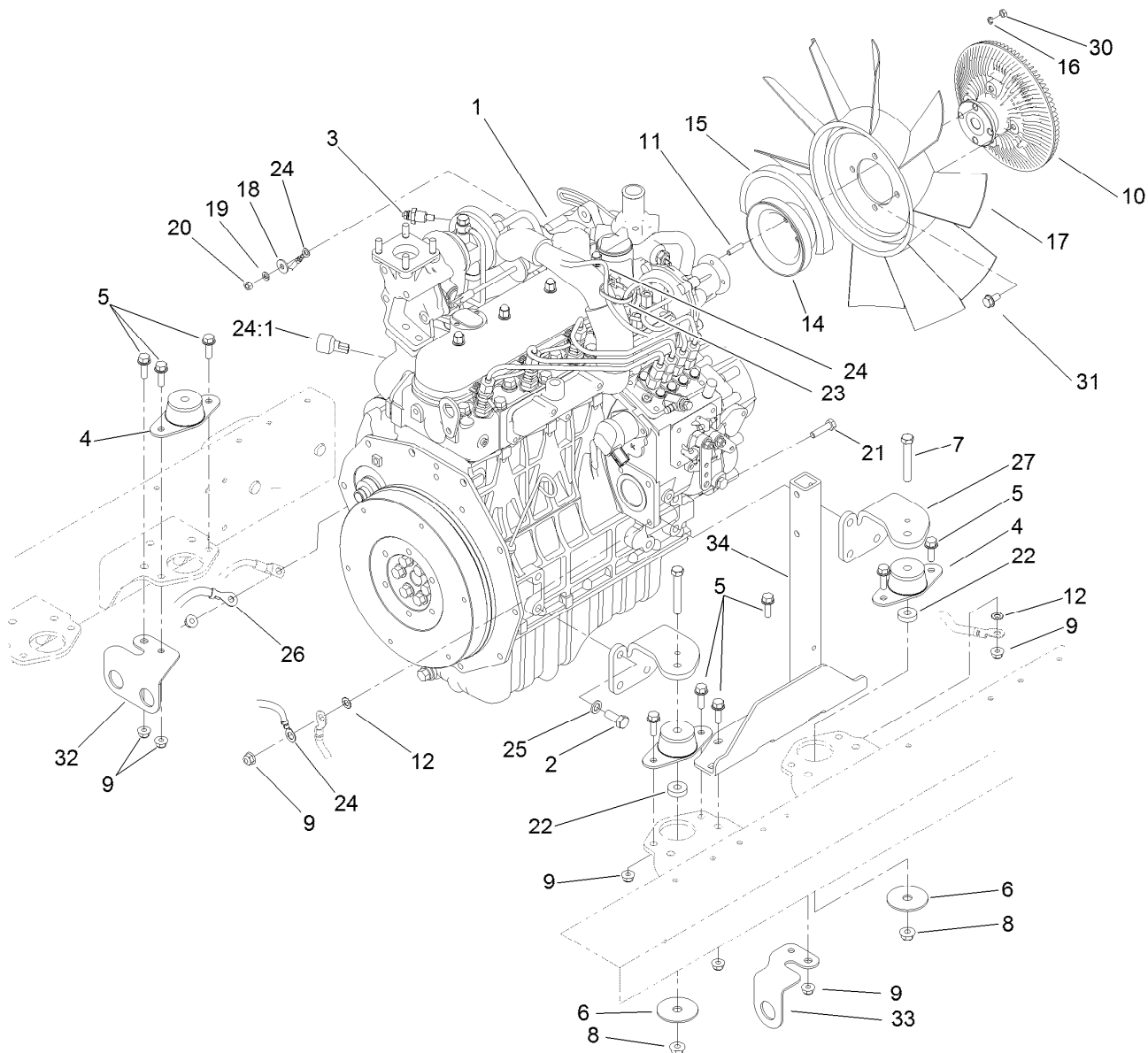
<i>Ref.</i>	<i>Part Number</i>	<i>Qty.</i>	<i>Description</i>
12	104-8300	2	Nut-Flange, NI
13	3230-1	2	Bolt-CARR
14	340-7	2	Adapter
14:1	237-65	1	O-Ring
14:2	237-80	1	O-Ring
15	340-3	1	Adapter
15:1	237-22	1	O-Ring
15:2	237-79	1	O-Ring
16	237-161	1	O-Ring
17	108-1801-01	1	Bracket-Support, Pump
18	340-4	1	Fitting-HYD, Straight
18:1	237-30	1	O-Ring
18:2	237-79	1	O-Ring



## Gear Pump Assembly No. 108-4003

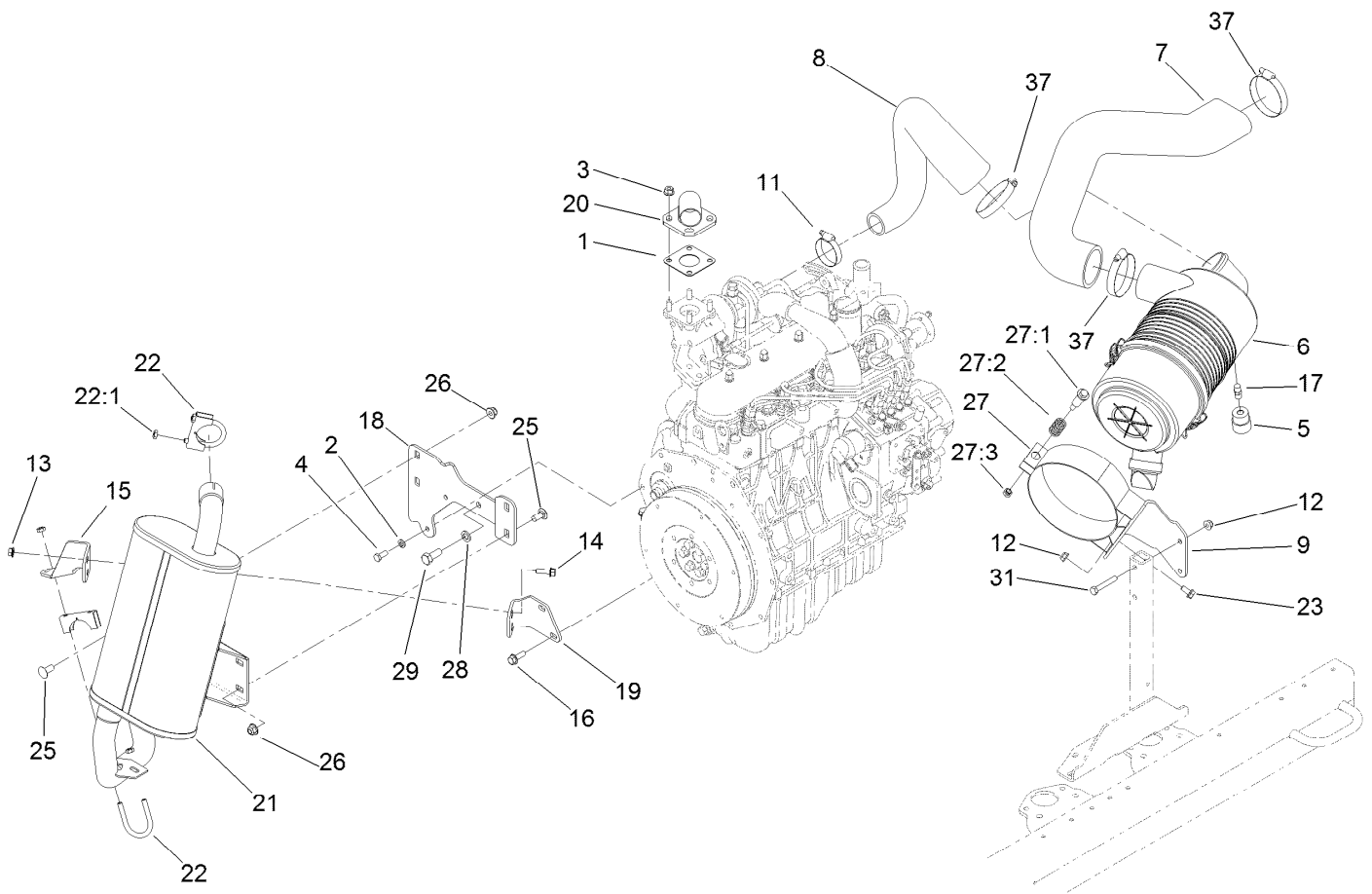
<i>Ref.</i>	<i>Part Number</i>	<i>Qty.</i>	<i>Description</i>
1	108-4595	1	Seal Kit
1:1		8	Seal ●
1:2		8	Seal ●
1:3		8	Ring-Back Up ●
2	120-6273	1	Bolt Kit
2:1		2	Stud Bolt ●
2:2		2	Screw ●
2:3		4	Washer ●
2:4		2	Nut ●
3	120-6284	3	Hub-Connecting

● Not serviced separately



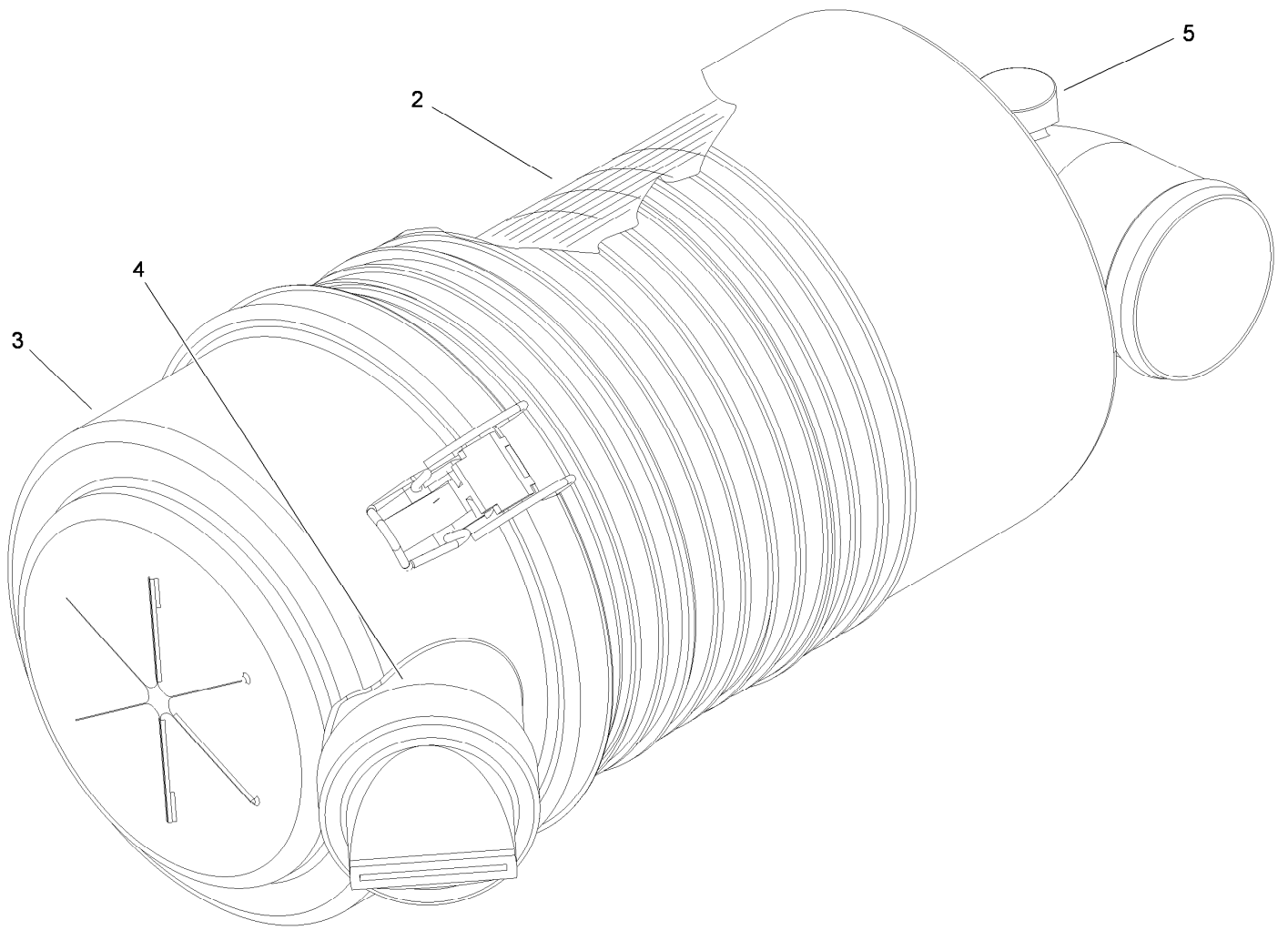
## Engine Mounting and Electrical Assembly

Ref.	Part Number	Qty.	Description	Ref.	Part Number	Qty.	Description
1	110-9045	1	Engine-Kubota	18	3256-78	1	Washer-Flat
2	43-0090	12	Screw-HH	19	43-5930	1	Washer-Lock, Spring
3	98-9346	1	Sender-Temperature	20	48-7890	1	Nut-Hex
4	107-3640	4	Mount-Engine	21	322-6	1	Screw-HH
5	3234-29	13	Screw-HHF	22	62-6660	4	Spacer
6	87-5100	4	Washer-Snubbing	23	3290-378	1	Tie-Cable
7	323-12	4	Screw-HH	24	106-3615	1	Harness-Wire, Engine
8	104-8301	4	Nut-Flange, NI	24:1	100-4918	1	Diode-Over Molded
9	104-8300	14	Nut-Flange, NI	25	48-9590	12	Washer-Lock
10	117-8972	1	Fan Clutch ASM	26	99-3441	1	Harness-Wire, Fusible Link
11	104-5222	4	Stud	27	115-8066-03	4	Mount-Engine
12	3255-8	2	Washer-Lock	30	33013-00	4	Nut-Hex
14	110-0972	1	Pulley	31	3234-7	4	Screw-HHF
15	98-9676	1	V-Belt	32	117-0154	1	Bracket-4Wd, RH
16	3253-18	4	Washer-Lock	33	117-0155	1	Bracket-4Wd, LH
17	74-3650	1	Fan	34	110-8977-03	1	Stand-Air Cleaner



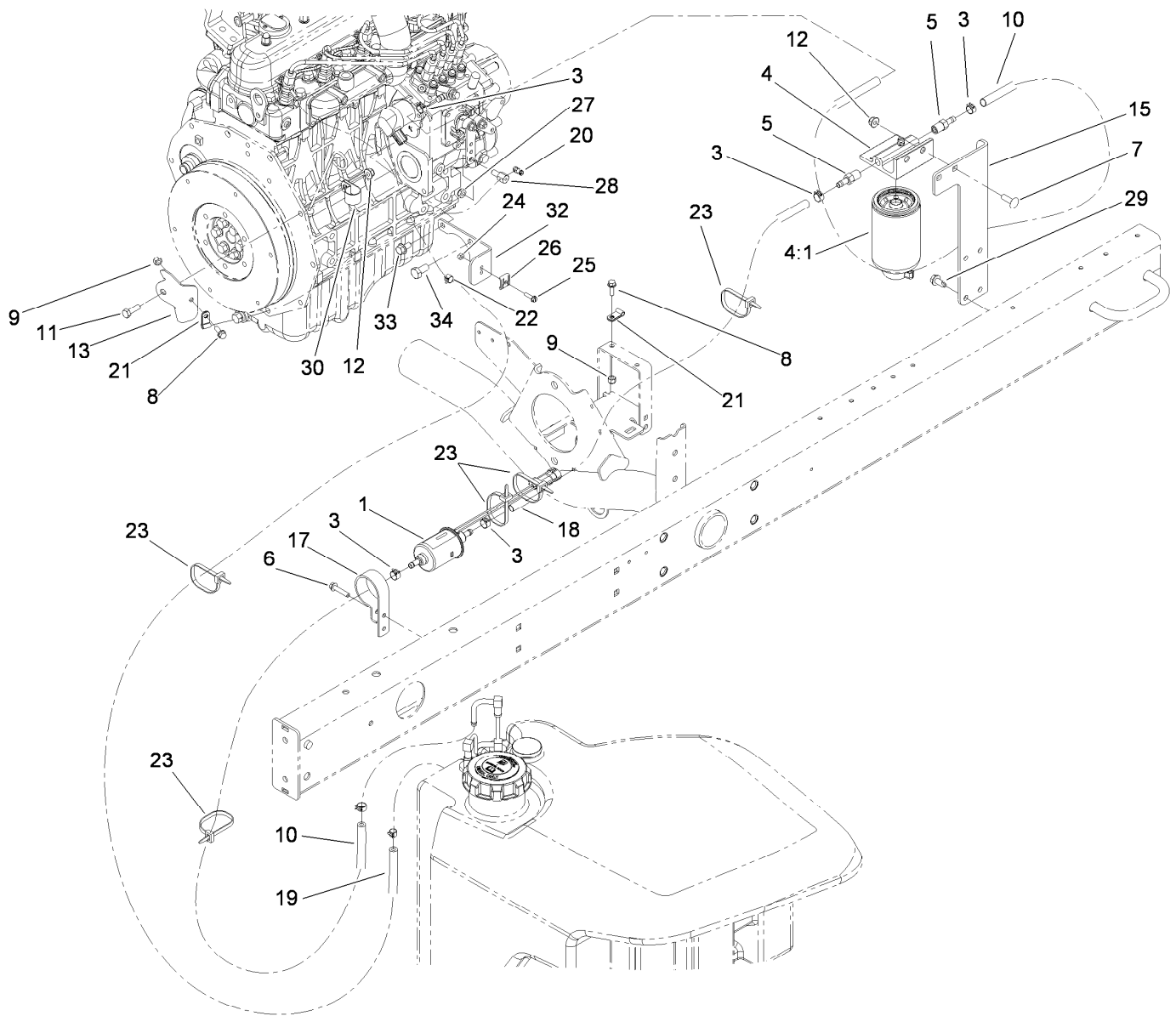
## Engine Intake and Exhaust Assembly

Ref.	Part Number	Qty.	Description	Ref.	Part Number	Qty.	Description
1	99-8343	1	Gasket-Muffler	19	117-0288	1	Bracket-Tailpipe
2	3253-4	2	Washer-Lock	20	108-1783	1	Header ASM
3	104-2612	4	Nut-HF	21	108-7643	1	Muffler
4	33114-020	2	Screw-HH	22	2112-9	2	Clamp
5	93-9164	1	Indicator-Mini	22:1	32128-20	2	Nut-HF
6	110-8917	1	Air Cleaner ASM	23	3234-14	2	Screw-HHF
7	110-8944	1	Hose-Formed	25	3231-27	4	Screw-CARR
8	117-8061	1	Hose-Turbo	26	104-8301	4	Nut-Flange, NI
9	110-8981-03	1	Bracket-Mounting	27	93-7486	1	Clamp ASM
11	2412-3	1	Clamp-Hose	27:1	94-3653	1	Bolt
12	104-8300	4	Nut-Flange, NI	27:2	94-3654	1	Spring
13	109-5715	4	Nut-HHF, Smooth	27:3	48-9510	1	Nut
14	3234-29	2	Screw-HHF	28	48-9590	1	Washer-Lock
15	117-0286	1	Bracket-Tailpipe	29	43-0090	1	Screw-HH
16	33104-025	2	Screw-HHF	31	322-10	2	Screw-HH
17	94-1416	1	Adapter-Indicator	37	2412-125	3	Clamp-Hose
18	108-1785-03	1	Bracket-Support, Muffler				



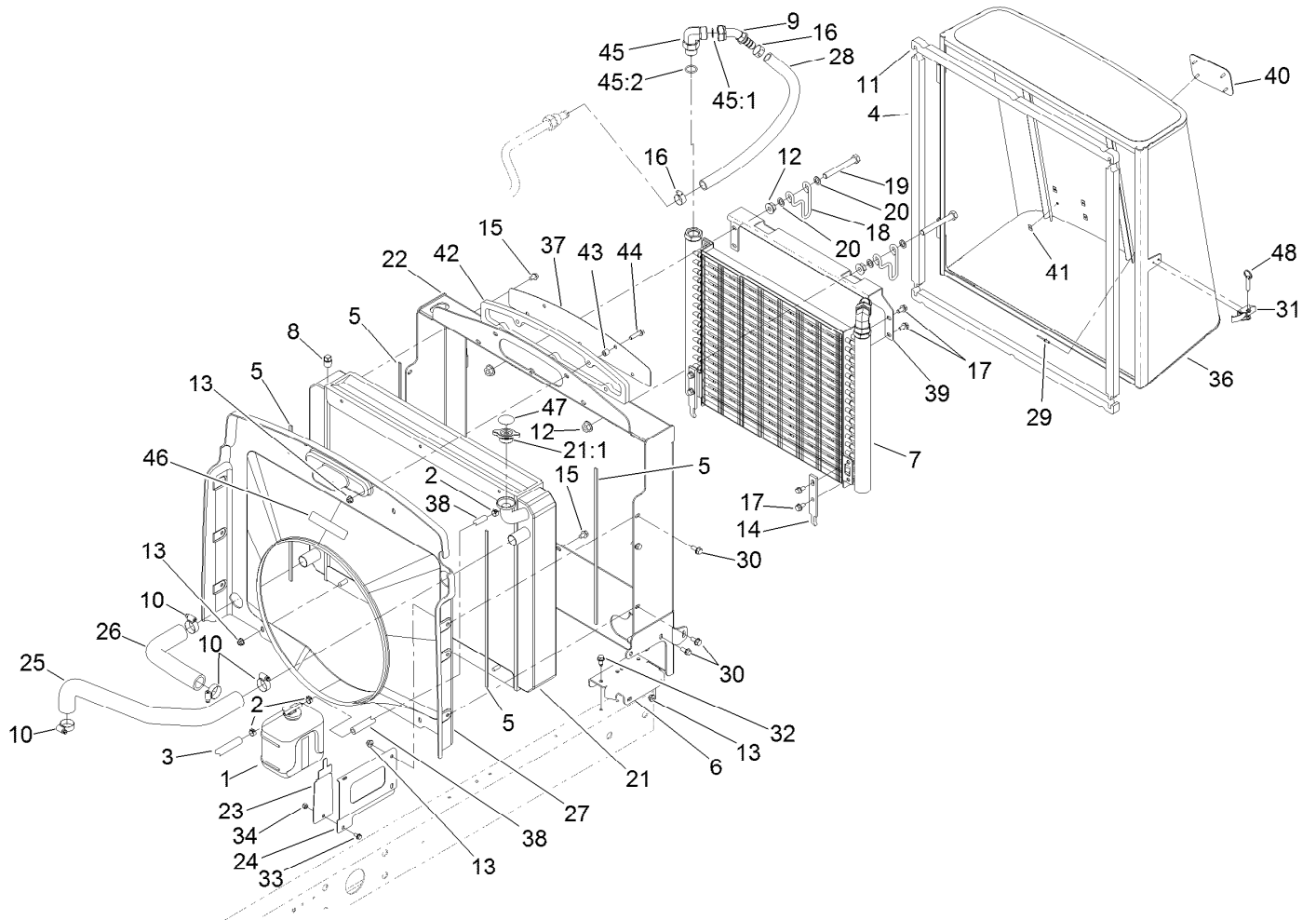
## Air Cleaner Assembly No. 110-8917

<i>Ref.</i>	<i>Part Number</i>	<i>Qty.</i>	<i>Description</i>
2	108-3812	1	Filter-Air
3	93-5986	1	Cover ASM
4	87-9400	1	Valve-Vacuator
5	285-17	1	Plug-Pipe



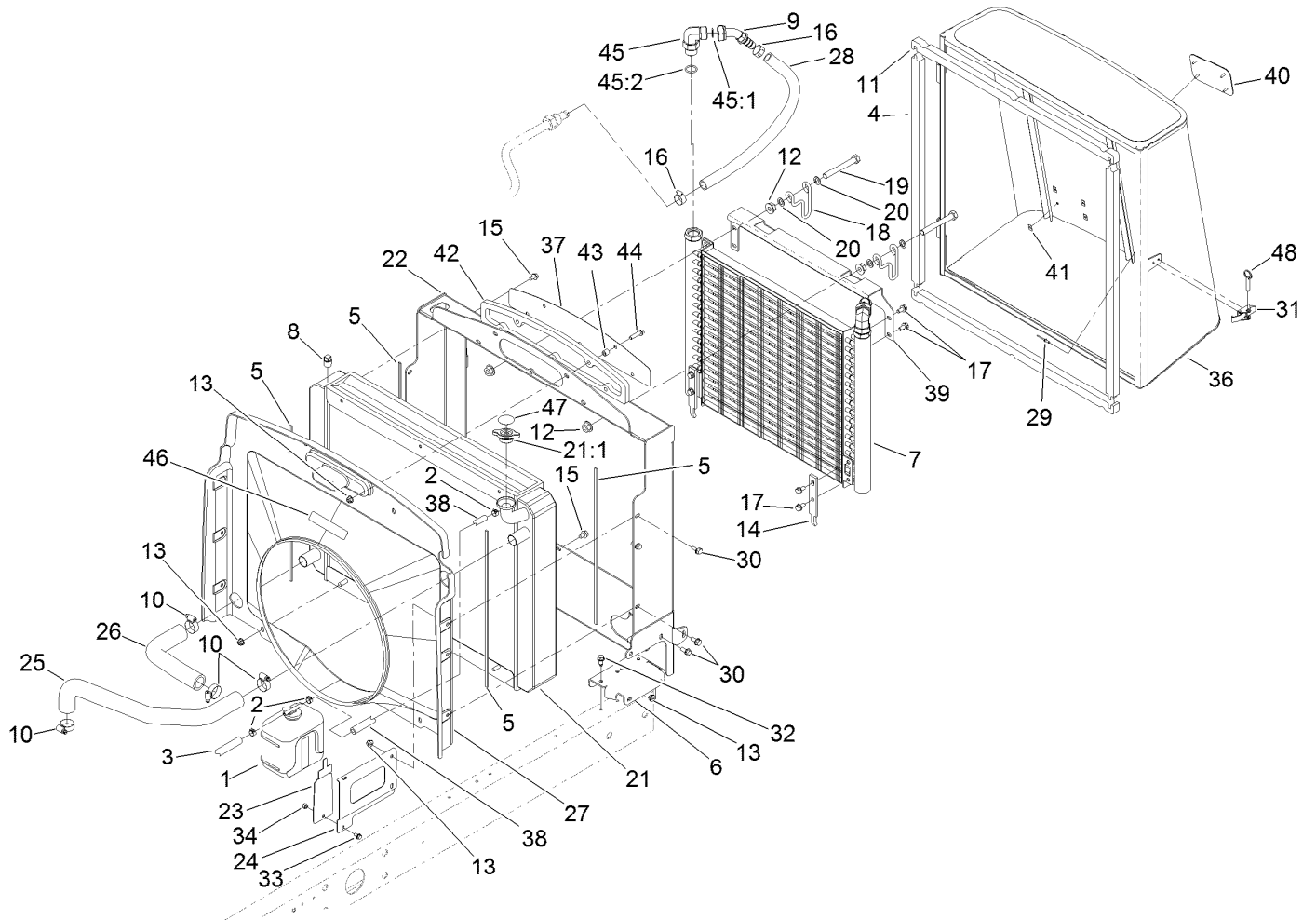
## Fuel System Delivery Assembly

Ref.	Part Number	Qty.	Description	Ref.	Part Number	Qty.	Description
1	110-8806	1	Pump-Fuel	19	117-0298	1	Hose-Fuel
3	92-2379	5	Clamp-Hose	20	112-9919	1	Stop-Cable, Throttle
4	110-9044	1	Seperator Filter ASM	21	2412-149	2	Clamp-Hose
4:1	110-9049	1	Filter-Spin On	22	2412-146	1	Clamp-Hose
5	353-783	2	Fitting-Straight	23	3290-378	5	Tie-Cable
6	32144-110	1	Screw-HWH	24	3296-2	1	Nut-Lock, NI
7	3230-22	2	Screw-CARR	25	32105-13	1	Screw-HWH
8	3234-4	2	Screw-HHF	26	81-1690	1	Clamp-Cable
9	3296-42	2	Nut-Lock, NI	27	3296-20	1	Nut-Lock, NI
10	109-0309	2	Hose-Fuel	28	98-9311	1	Swivel-Throttle
11	322-5	1	Screw-HH	29	32104-32	4	Screw-HWH
12	104-8300	3	Nut-Flange, NI	30	2412-41	1	Clamp
13	110-9007-03	1	Support-Cable, Throttle	32	110-9009-03	1	Bracket-Cable, Throttle
15	110-8968-01	1	Mount-Separator, Water	33	33114-016	1	Screw-HH
17	110-8817	1	Bracket-Pump, Fuel	34	63-7790	1	Screw-Cap
18	110-3259	1	Hose-Fuel				



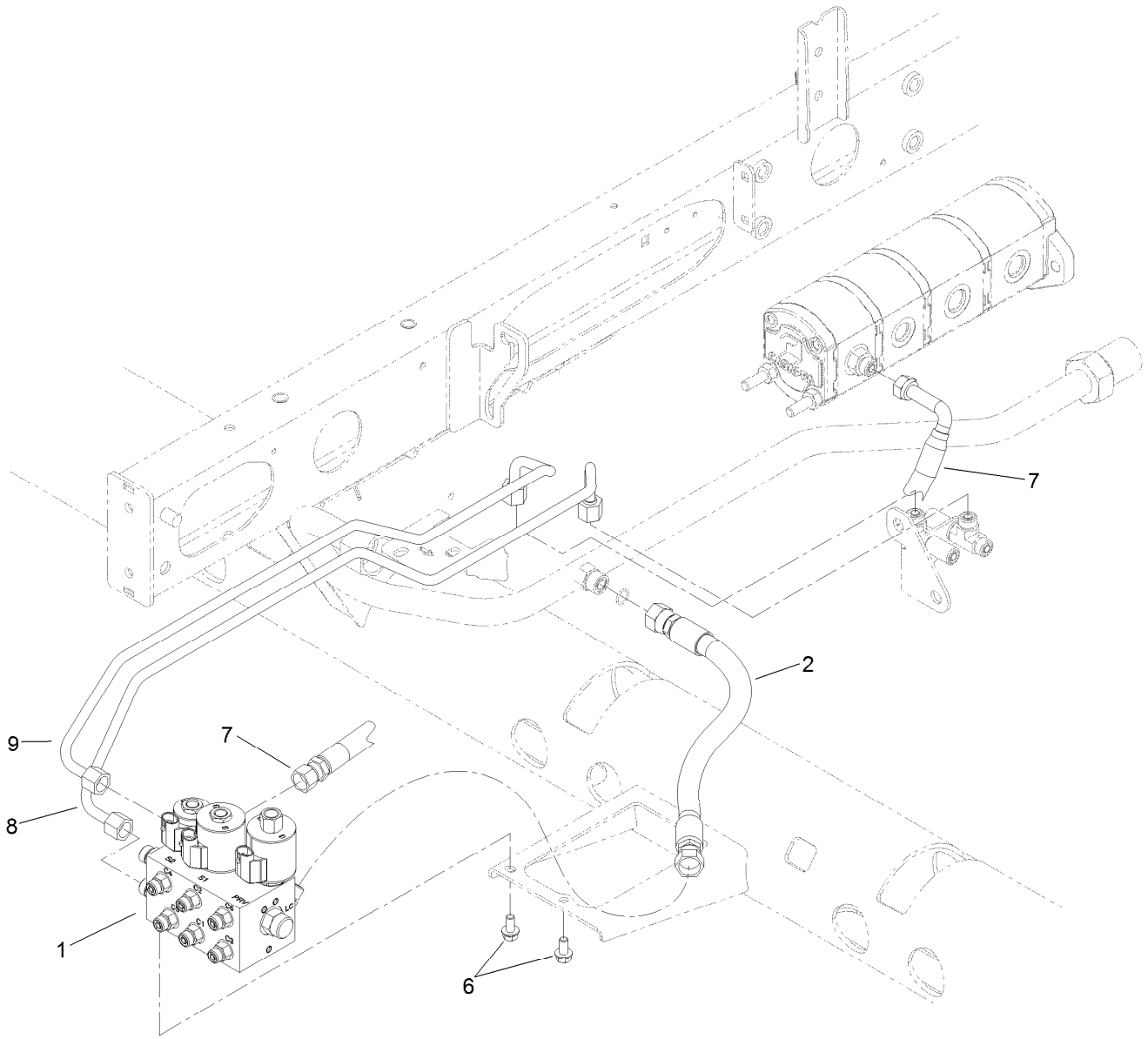
## Radiator and Hydraulic Cooler Assembly

<i>Ref.</i>	<i>Part Number</i>	<i>Qty.</i>	<i>Description</i>	<i>Ref.</i>	<i>Part Number</i>	<i>Qty.</i>	<i>Description</i>
1	104-9318	1	Overflow Bottle ASM	21:1	93-5957	1	Cap-Radiator
2	92-2379	3	Clamp-Hose	22	110-5251-03	1	Frame-Radiator
3	110-3257	1	Hose-Fuel	23	108-1665-03	1	Bracket-Reservoir
4	110-5275	2	Seal-Foam	24	108-1666-03	1	Bracket-Reservoir
5	110-8953	4	Seal-Foam	25	110-8942	1	Hose-Formed
6	110-5310-01	2	Bracket-Mounting	26	110-8943	1	Hose-Formed
7	110-0485	1	Cooler-Oil	27	110-5311	1	Shroud-Fan
8	281-13	1	Plug-Pipe	28	110-8955	2	Hose ASM
9	104-7851	2	Fitting-HYD, 45 DEG	29	3269-15	2	Rivet-Pop
10	2412-34	4	Clamp-Hose	30	3234-5	10	Screw-HHF
11	110-5276	2	Seal-Foam	31	115-1554	1	Latch-Draw
12	32128-49	4	Nut-HHF	32	32104-32	6	Screw-HWH
13	104-8300	17	Nut-Flange, NI	33	3234-13	1	Screw-HHF
14	104-5460-03	2	Plate-Mount, Oil Cooler	34	3296-42	1	Nut-Lock, NI
15	3234-30	6	Screw-HHF	36	110-5269-03	1	Screen
16	2412-129	4	Clamp-Hose	37	108-1843-03	1	Screen-Intake, Air
17	3234-14	8	Screw-HHF	38	110-4104	1	Hose-Fuel
18	104-5429	2	Clamp-Form, Wire	39	104-5428	1	Bracket-Oil Cooler, Top
19	325-17	2	Screw-HH	40	93-6028	1	Plate-Logo
20	41-8440	4	Washer	41	94-2638	4	Nut-Tinnerman
21	110-0003	1	Radiator ASM	42	110-5324	1	Seal-Foam



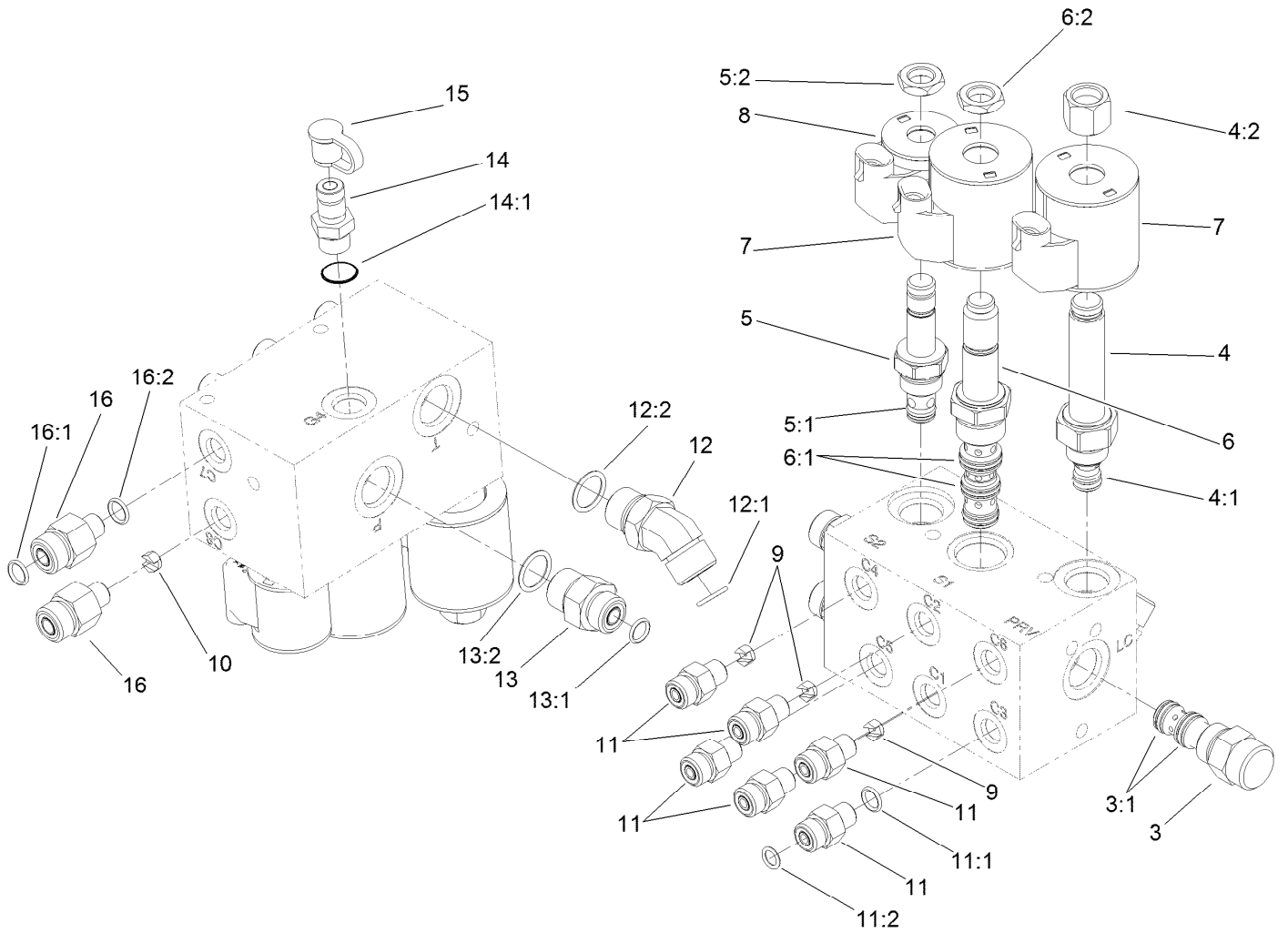
## Radiator and Hydraulic Cooler Assembly (continued)

<i>Ref.</i>	<i>Part Number</i>	<i>Qty.</i>	<i>Description</i>	<i>Ref.</i>	<i>Part Number</i>	<i>Qty.</i>	<i>Description</i>
43	1-603903	5	Spacer	45:2	237-81	1	O-Ring
44	3234-36	5	Screw-HHF	46	93-7272	1	Decal-Warning
45	340-142	2	Fitting-HYD, 90 DEG	47	106-6755	1	Decal-Cap, Radiator
45:1	237-58	1	O-Ring	48	115-1556	1	Pin-Ball, Detent



## Hydraulic Lift Block and Plumbing Assembly

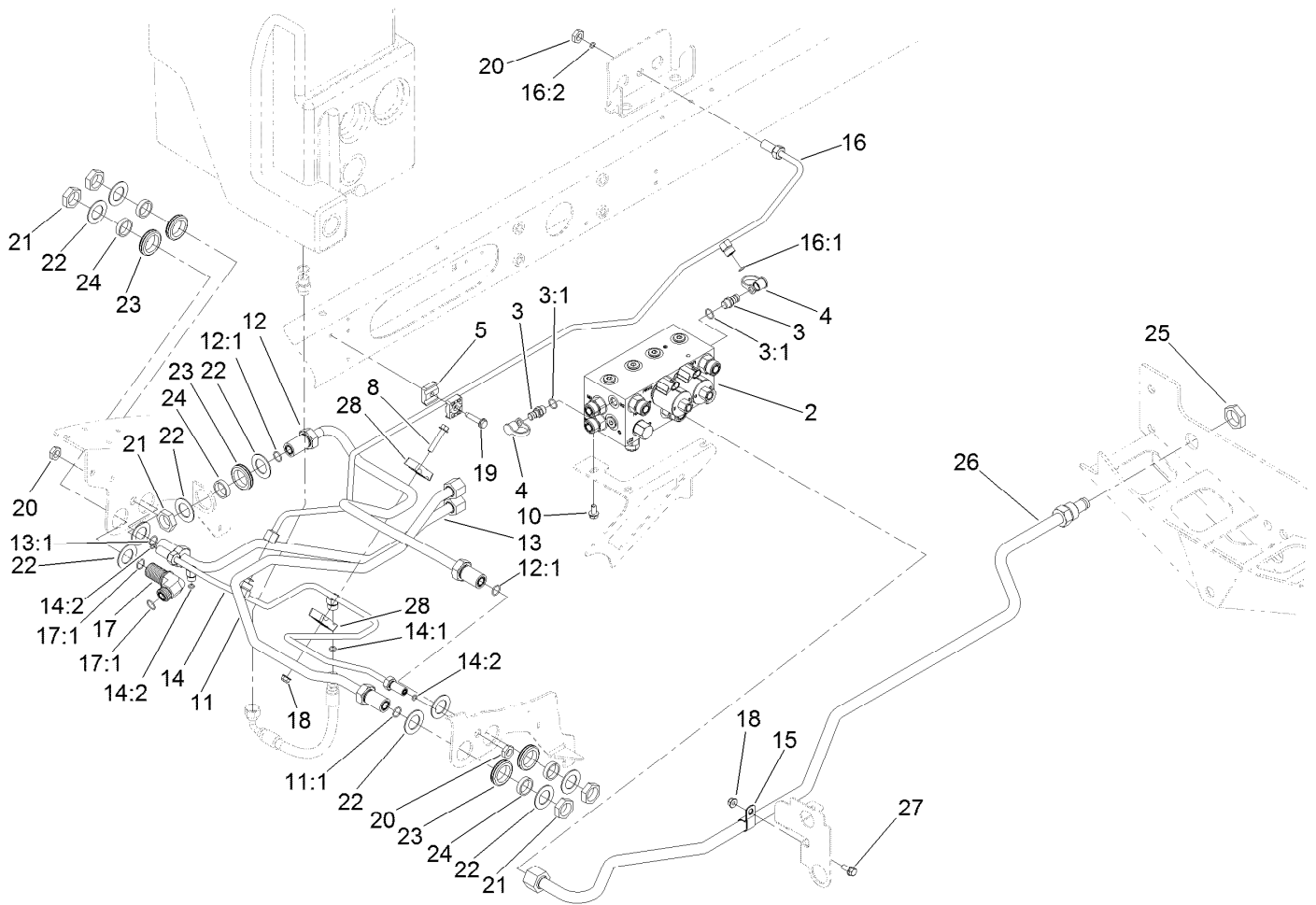
<i>Ref.</i>	<i>Part Number</i>	<i>Qty.</i>	<i>Description</i>
1	117-0158	1	Lift Control Manifold ASM
2	117-0180	1	Hose-HYD
6	3234-14	2	Screw-HHF
7	92-5694	1	Hose-Hydraulic
8	117-0175	1	Tube-HYD
9	117-0176	1	Tube-HYD



## Lift Control Manifold Assembly No. 117-0158

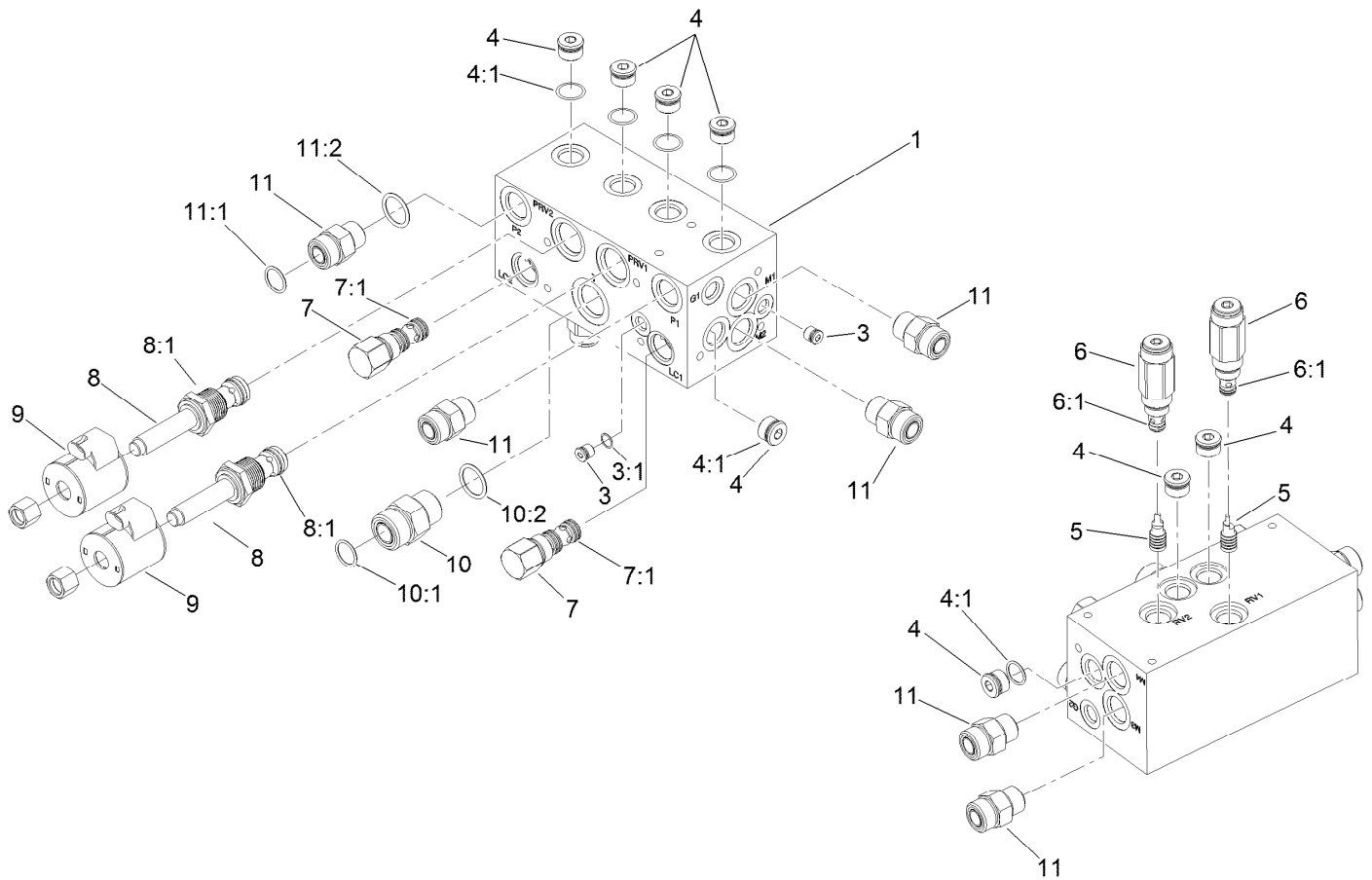
Ref.	Part Number	Qty.	Description
3	117-0228	1	Element-Directional, Pilot
3:1	115-5413	1	Seal Kit
4	117-0227	1	Valve-Relief, Proportional
4:1	105-9156	1	Seal Kit
4:2	119-2160	1	Nut-Coil
5	107-7516	1	Solenoid Valve ASM
5:1	105-9156	1	Seal Kit
5:2	110-2634	1	Nut-Coil
6	110-8906	1	Valve-Solenoid
6:1	110-8908	1	Spool Valve Seal Kit
6:2	110-2634	1	Nut-Coil
7	110-6344	2	Coil-12V, Dc
8	110-0497	1	Coil-Solenoid
9	110-8902	3	Orifice-Control, Flow (0.046)
10	114-4682	1	Orifice-Flow Control (.030)
11	340-92	6	Fitting-HYD, Straight

Ref.	Part Number	Qty.	Description
11:1	237-78	1	O-Ring
11:2	237-21	1	O-Ring
12	340-101	1	Fitting-HYD, 45 DEG
12:1	237-30	1	O-Ring
12:2	237-79	1	O-Ring
13	340-3	1	Adapter
13:1	237-22	1	O-Ring
13:2	237-79	1	O-Ring
14	59-7410	1	Fitting-Diagnostic
14:1	237-42	1	O-Ring
15	354-79	1	Cap-Dust
16	340-88	2	Adapter
16:1	237-22	1	O-Ring
16:2	237-78	1	O-Ring



## Reel Control Block Hydraulic Plumbing Assembly

Ref.	Part Number	Qty.	Description	Ref.	Part Number	Qty.	Description
2	114-0359	1	Deck Control Manifold ASM	16	114-8888	1	Tube ASM
3	59-7410	2	Fitting-Diagnostic	16:1	237-22	1	O-Ring
3:1	237-42	1	O-Ring	16:2	237-21	1	O-Ring
4	354-79	2	Cap-Dust	17	340-72	1	Fitting-Bulkhead, 90 DEG
5	56-7972	2	Clamp-Tube	17:1	237-65	2	O-Ring
8	94-5780	1	Screw-HWH	18	104-8300	2	Nut-Flange, NI
10	3234-14	3	Screw-HHF	19	32144-57	1	Screw
11	117-0138	1	Tube ASM	20	340-78	3	Nut-Lock, Bulkhead
11:1	237-65	1	O-Ring	21	340-74	5	Nut-Lock, Bulkhead
12	117-0137	1	Tube ASM	22	69-9010	10	Washer
12:1	237-65	2	O-Ring	23	240-3	5	Grommet-Rubber
13	117-0139	1	Tube ASM	24	69-9000	5	Spacer
13:1	237-65	1	O-Ring	25	340-126	1	Nut-Bulkhead
14	110-5286	1	Tube ASM	26	108-1700	1	Tube ASM
14:1	237-22	2	O-Ring	27	3234-5	1	Screw-HHF
14:2	237-21	3	O-Ring	28	56-7970	2	Clamp-Tube
15	2412-4	1	Clamp				

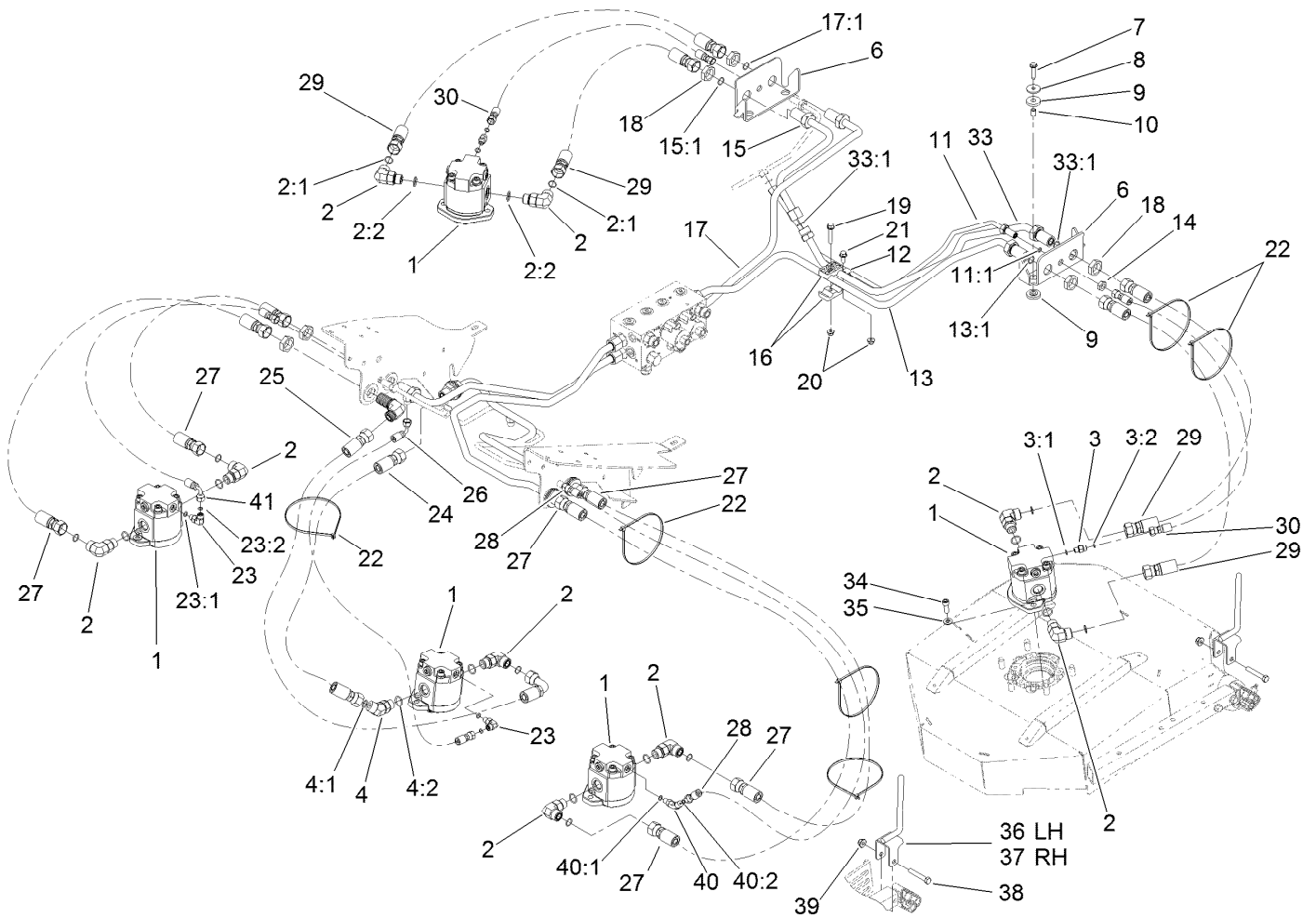


## Deck Control Manifold Assembly No. 114-0359

Ref.	Part Number	Qty.	Description	Ref.	Part Number	Qty.	Description
1		1	Hydraulic Manifold ●	8	117-0229	2	Valve-Relief, Proportional
3	106-1025	2	Plug-HYD	8:1	117-1114	1	Seal Kit
3:1	237-78	1	O-Ring	9	110-6344	2	Coil-12V, Dc
4	106-1027	8	Plug-HYD	10	340-9	1	Fitting-HYD, Straight
4:1	237-79	1	O-Ring	10:1	237-58	1	O-Ring
5	105-9157	2	Piston-Pilot	10:2	237-81	1	O-Ring
6	112-5259	2	Valve-Relief	11	340-7	2	Adapter
6:1	105-9156	1	Seal Kit	11:1	237-65	1	O-Ring
7	105-9153	2	Element-Logic, Vented	11:2	237-80	1	O-Ring
7:1	105-9154	1	Seal Kit				

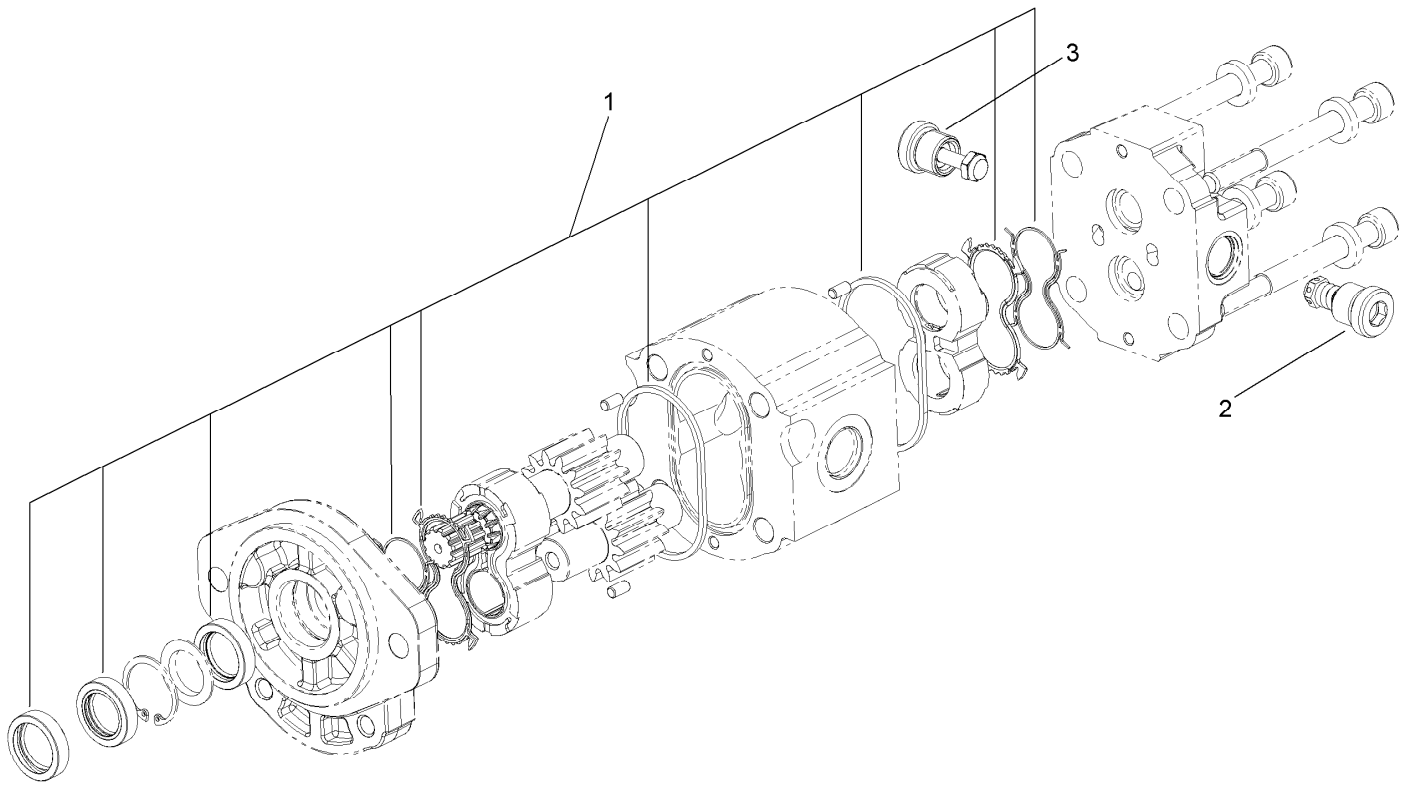
● Not serviced separately





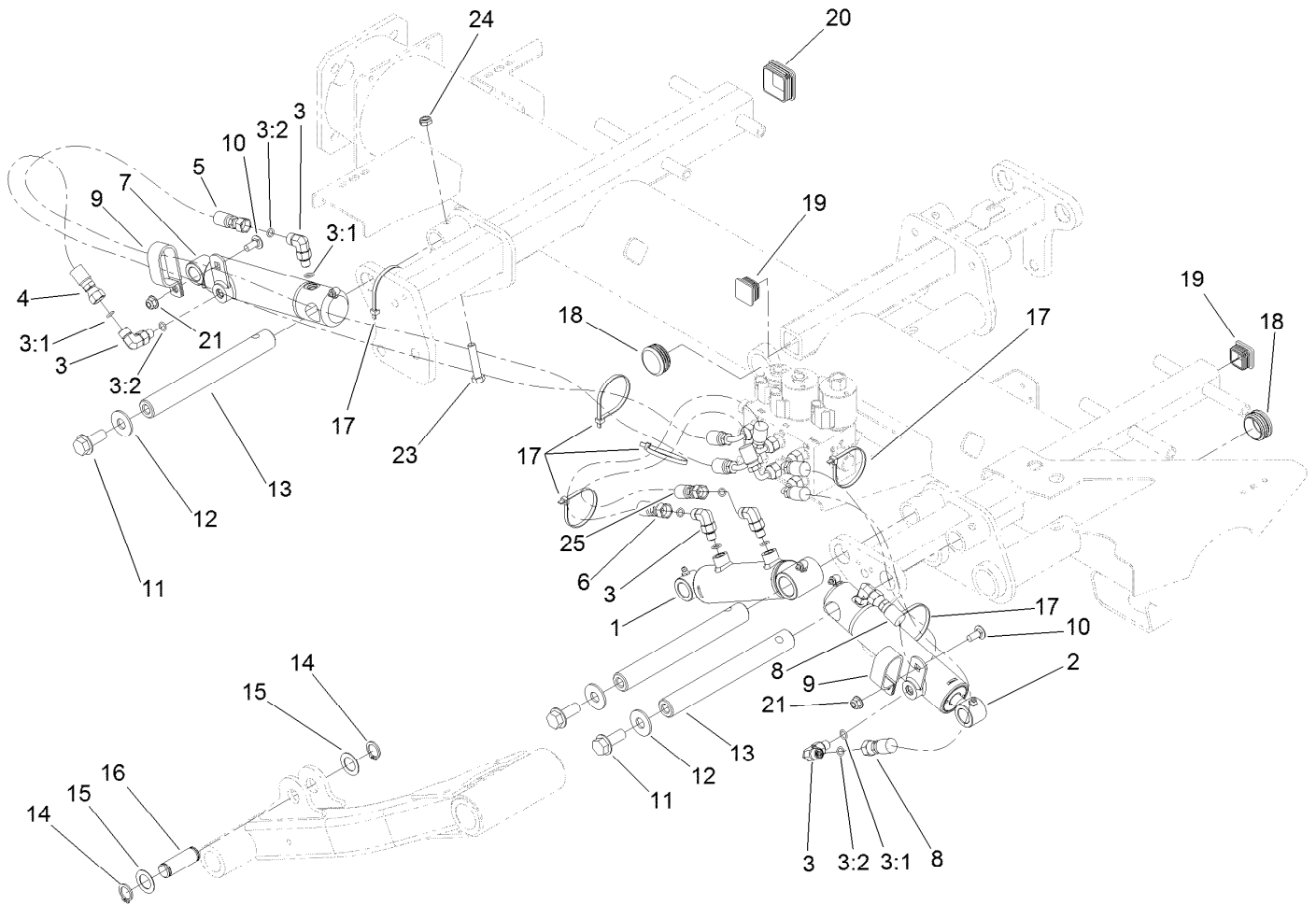
## Rear Deck Drive System Plumbing and Front Hose Assembly (continued)

<i>Ref.</i>	<i>Part Number</i>	<i>Qty.</i>	<i>Description</i>	<i>Ref.</i>	<i>Part Number</i>	<i>Qty.</i>	<i>Description</i>
28	104-9323	1	HYD Hose ASM	37	117-0248-03	2	Guard-Foot, RH
29	105-1215	4	Hose ASM	38	323-11	4	Screw-HH
30	108-6507	2	Hose ASM	39	104-8301	4	Nut-Flange, NI
33	117-0177	1	Tube ASM	40	340-103	1	Fitting-HYD, 45 DEG
33:1	237-65	2	O-Ring	40:1	237-78	1	O-Ring
34	3274-7	10	Screw-HSH	40:2	237-21	1	O-Ring
35	3256-24	10	Washer-Flat	41	92-7638	1	Hose ASM
36	117-0247-03	2	Guard-Foot, LH				



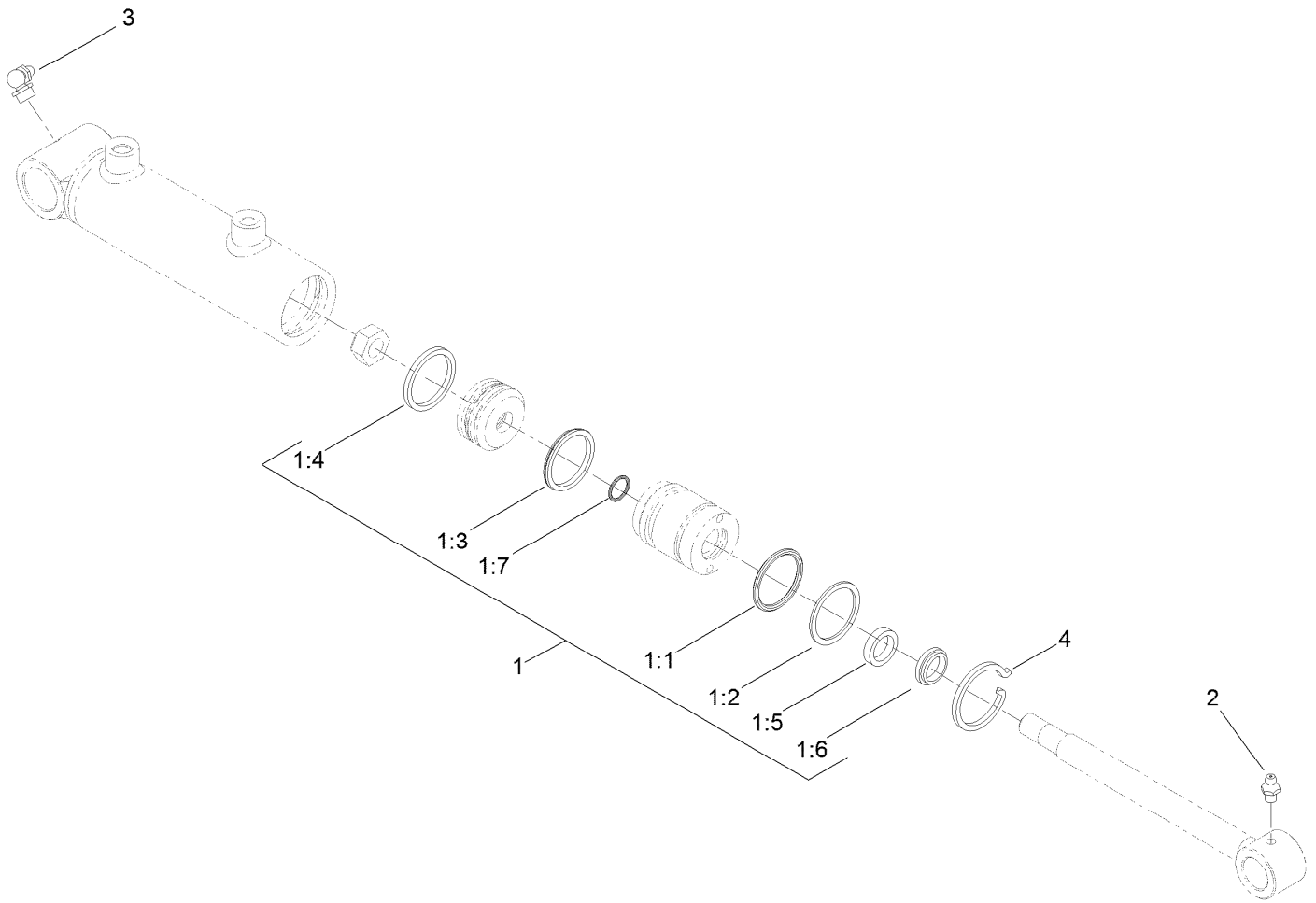
## Gear Motor Assembly No. 108-4004

<i>Ref.</i>	<i>Part Number</i>	<i>Qty.</i>	<i>Description</i>
1	117-0235	1	Seal Kit
2	107-7820	1	Valve-Relief
3	107-7821	1	Valve-Anticavitation



## Front Lift Cylinder and Plumbing Assembly

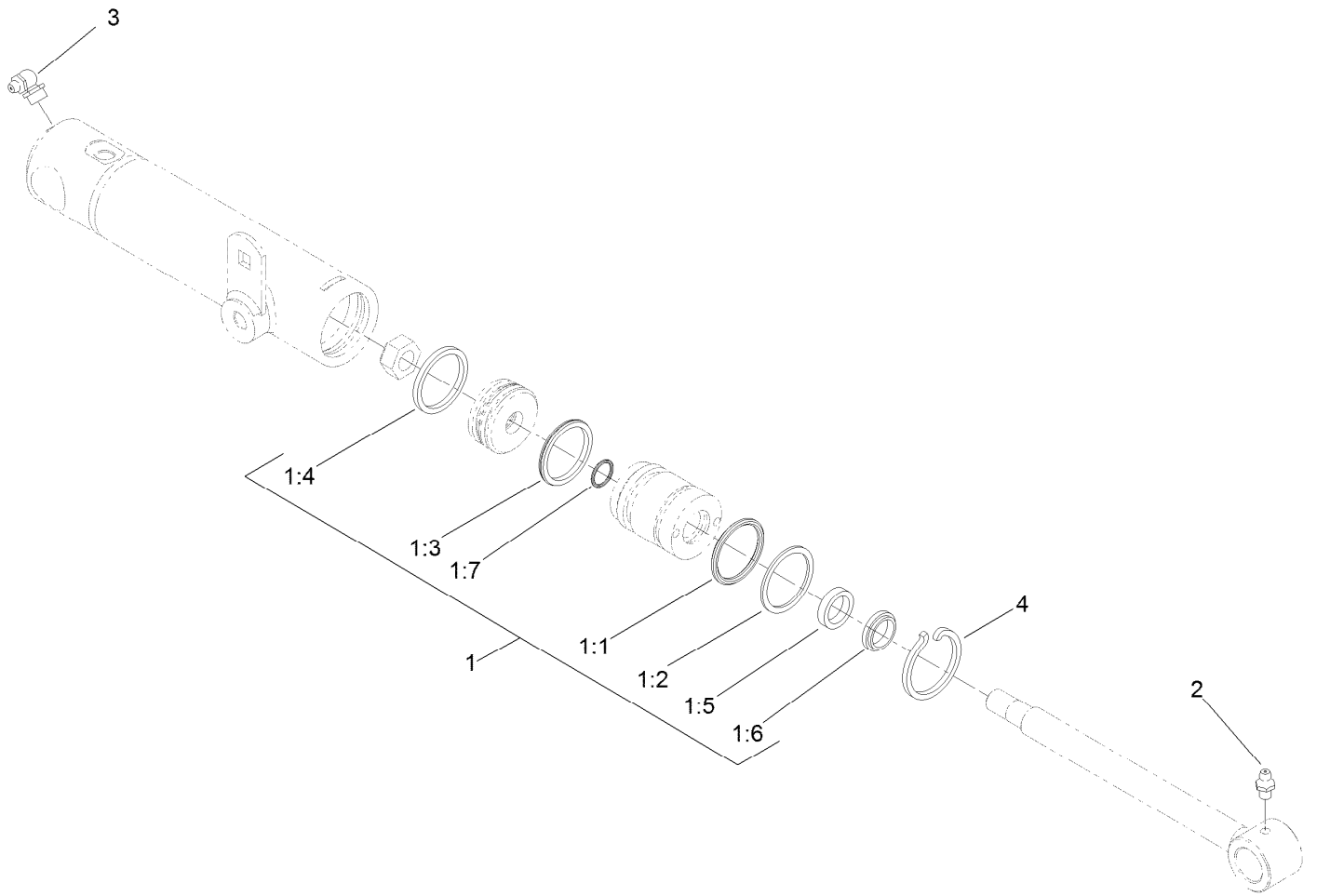
<i>Ref.</i>	<i>Part Number</i>	<i>Qty.</i>	<i>Description</i>	<i>Ref.</i>	<i>Part Number</i>	<i>Qty.</i>	<i>Description</i>
1	119-6989	1	HYD Cylinder ASM	12	3256-6	3	Washer-Flat
2	119-6990	1	HYD Cylinder ASM	13	117-0148	3	Pin-Cylinder
3	340-132	6	Fitting-HYD, 90 DEG	14	32120-93	6	Ring-Retaining
3:1	237-78	1	O-Ring	15	3-6498	6	Washer-Thrust
3:2	237-21	1	O-Ring	16	104-0046	3	Pin-Slide, Cylinder
4	117-0262	1	Hose-HYD	17	3290-379	6	Tie-Cable
5	117-0261	1	Hose-HYD	18	110-9012	5	Caplug
6	117-0253	1	Hose-HYD	19	110-9013	2	Caplug
7	119-6991	1	HYD Cylinder ASM	20	95-9495	1	Cap
8	85-4940	2	Hose-HYD	21	104-8300	2	Nut-Flange, NI
9	2412-137	2	Clamp-R, Double	23	323-9	3	Screw-HH
10	3230-23	2	Screw-CARR	24	3296-59	3	Nut-Lock, NI
11	3234-38	3	Screw-HHF	25	117-0254	1	Hp HYD Hose ASM



## Hydraulic Cylinder Assembly No. 119-6989

Ref.	Part Number	Qty.	Description
1	119-6992	1	Seal Kit
1:1		1	Ring-Retaining ●
1:2		1	Backup ●
1:3		1	Bp Seal ●
1:4		1	Wear Ring-Ht ●
1:5		1	Bs Seal ●
1:6		1	Dust Seal-Dt ●
1:7		1	Ring-Retaining ●
2	302-5	1	Fitting-Grease
3	302-33	1	Fitting-Grease
4	84-1680	1	Ring-Retaining

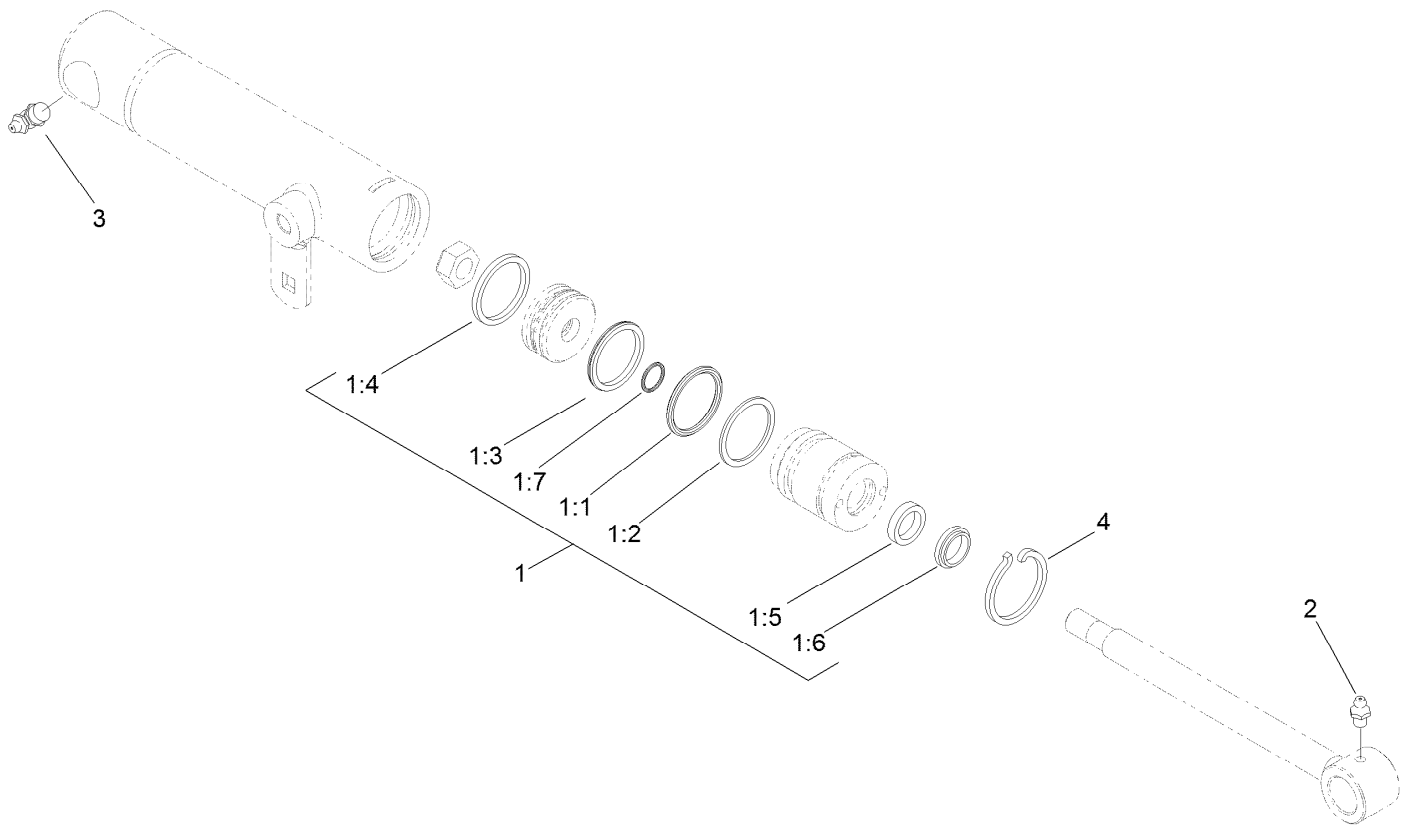
● Not serviced separately



## Hydraulic Cylinder Assembly No. 119-6990

<i>Ref.</i>	<i>Part Number</i>	<i>Qty.</i>	<i>Description</i>
1	119-6992	1	Seal Kit
1:1		1	Ring-Retaining ●
1:2		1	Backup ●
1:3		1	Bp Seal ●
1:4		1	Wear Ring-Ht ●
1:5		1	Bs Seal ●
1:6		1	Dust Seal-Dt ●
1:7		1	Ring-Retaining ●
2	302-5	1	Fitting-Grease
3	302-33	1	Fitting-Grease
4	84-1680	1	Ring-Retaining

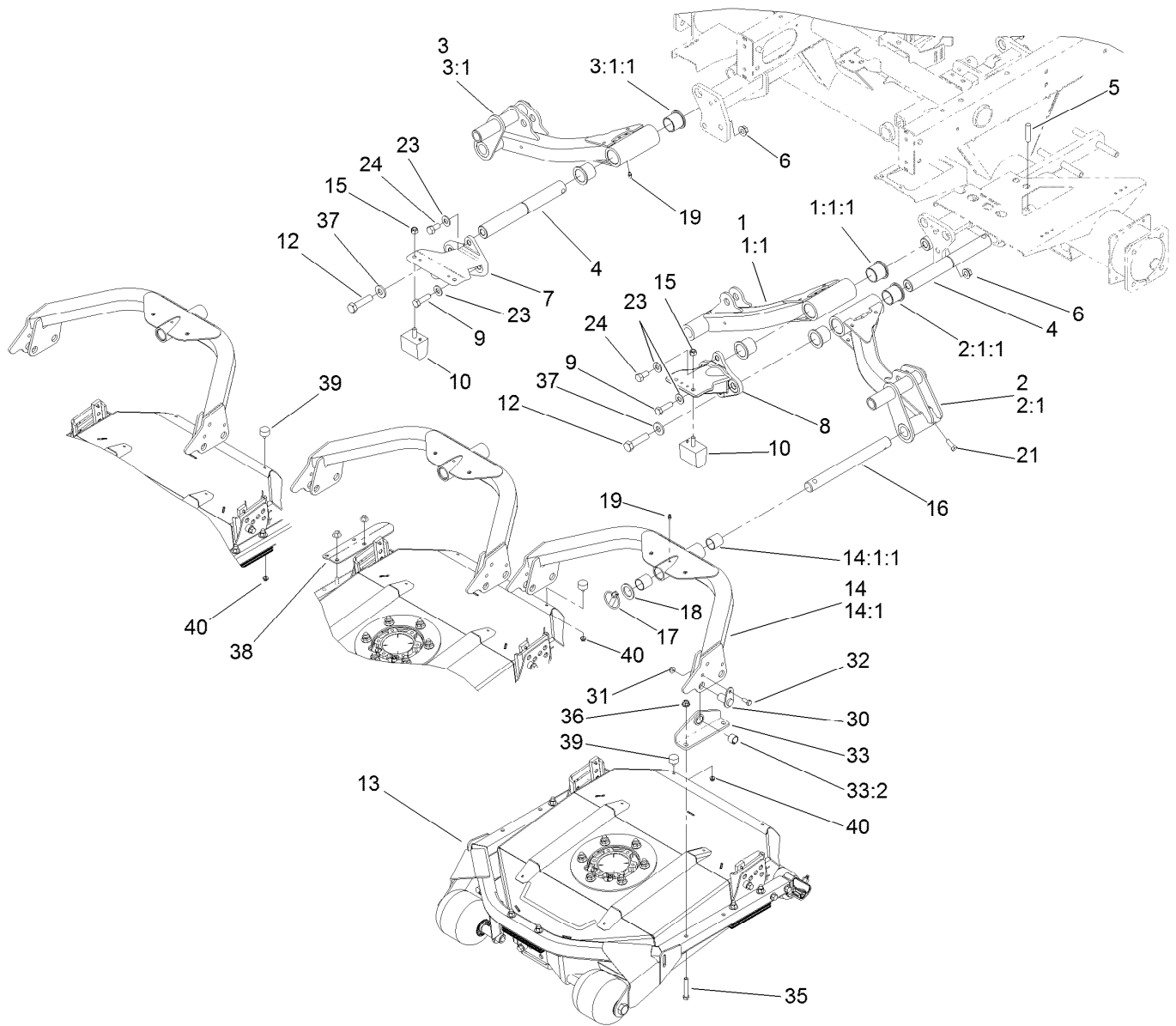
● Not serviced separately



## Hydraulic Cylinder Assembly No. 119-6991

Ref.	Part Number	Qty.	Description
1	119-6992	1	Seal Kit
1:1		1	Ring-Retaining ●
1:2		1	Backup ●
1:3		1	Bp Seal ●
1:4		1	Wear Ring-Ht ●
1:5		1	Bs Seal ●
1:6		1	Dust Seal-Dt ●
1:7		1	Ring-Retaining ●
2	302-5	1	Fitting-Grease
3	302-33	1	Fitting-Grease
4	84-1680	1	Ring-Retaining

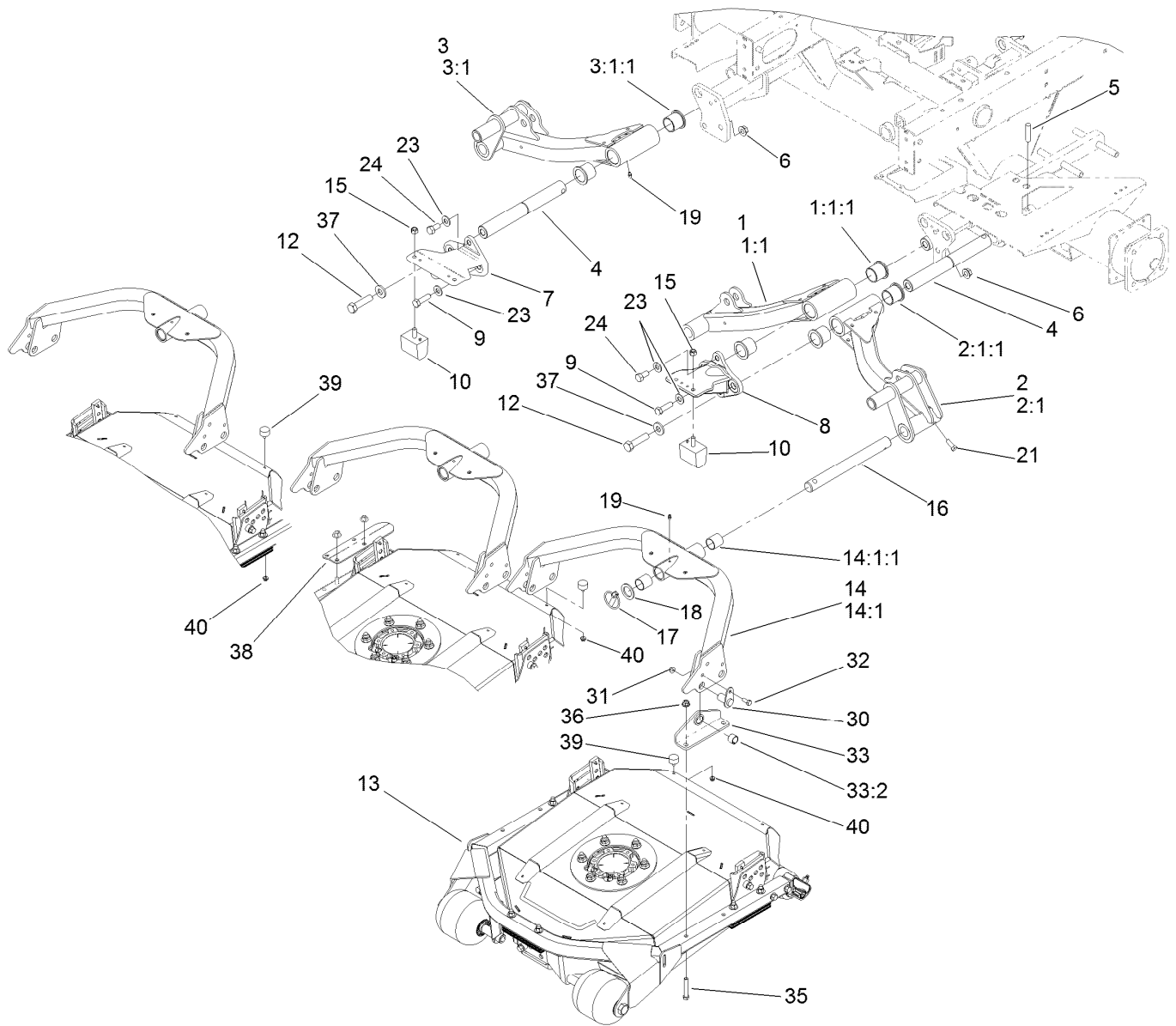
● Not serviced separately



## Front Lift Arm Assembly

Ref.	Part Number	Qty.	Description	Ref.	Part Number	Qty.	Description
1	114-0381-03	1	Arm No. 1 ASM	13	30845	3	22 Inch Contour Plus Replacement Deck
1:1		1	Arm 1 ●	14	108-7384-03	3	Carrier Frame ASM
1:1:1	69-6470	2	Bushing-Castor	14:1		1	Frame-Carrier ●
2	114-0384-03	1	Arm No. 4 ASM	14:1:1	108-4000	2	Bushing
2:1		1	Arm 4 ●	15	33025-00	4	Nut-Lock, NI
2:1:1	69-6470	2	Bushing-Castor	16	95-8979	3	Shaft
3	114-0385-03	1	Arm No. 5 ASM	17	283-71	3	Pin-Lynch
3:1		1	Arm 5 ●	18	3-6781	3	Washer-Thrust
3:1:1	69-6470	2	Bushing-Castor	19	302-5	6	Fitting-Grease
4	117-0208	3	Shaft-Pivot, Liftarm	21	323-6	3	Screw-HH
5	32121-122	3	Pin-Roll	23	87-7270	6	Washer-Thrust
6	99-5107	4	Nut-Lock	24	325-5	2	Screw-HH
7	117-0250-03	1	Tippe-RH	30	117-0132	6	Pin ASM
8	117-0252-03	1	Tipper-LH	31	104-8300	6	Nut-Flange, NI
9	325-7	4	Screw-HH	32	322-3	6	Screw-HH
10	87-3470	4	Bumper-Axle, Rear	33	117-0118	6	Pivot ASM
12	327-7	3	Screw-HH	33:2	108-8482	1	Bushing-Sleeve

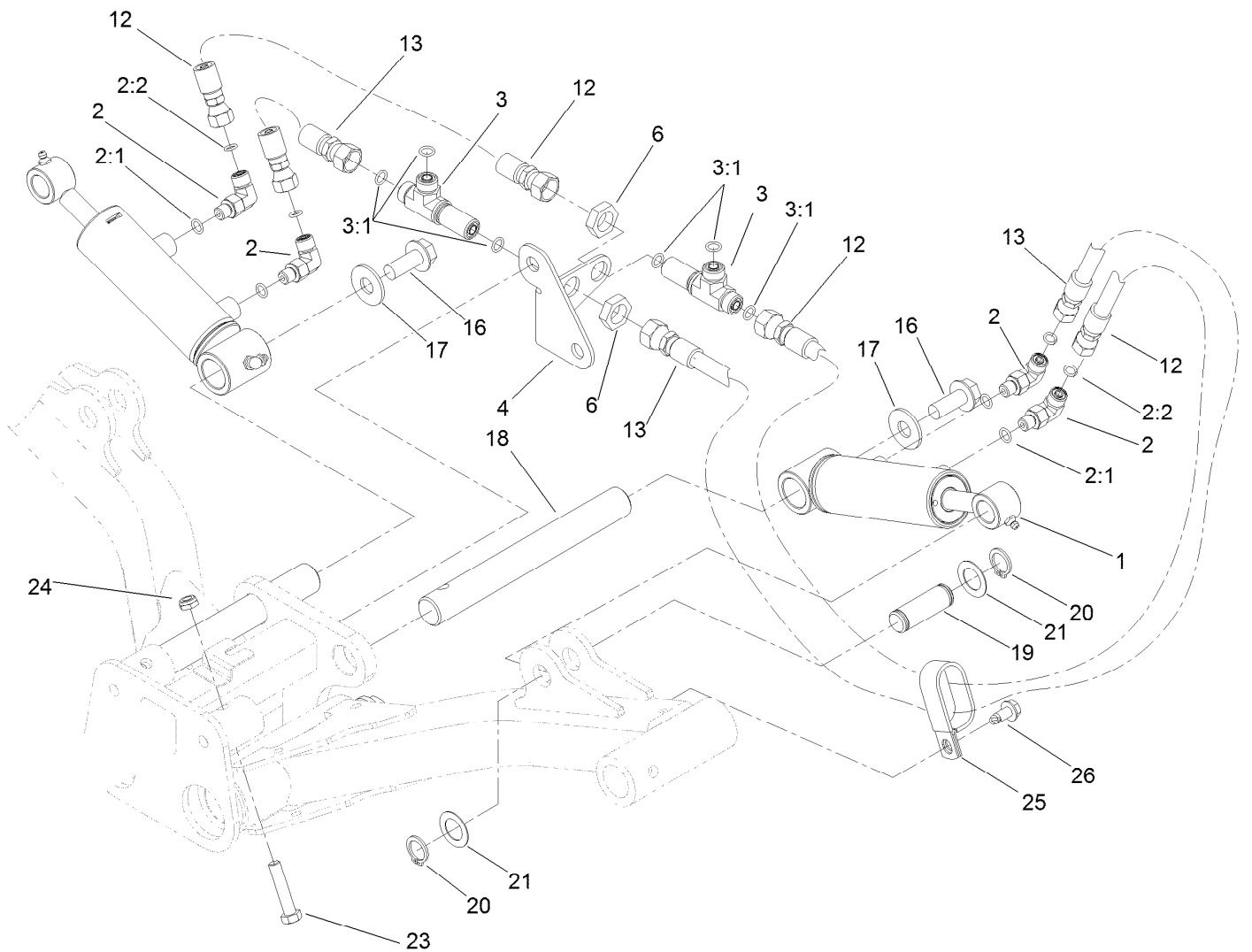
● Not serviced separately



## Front Lift Arm Assembly (continued)

<i>Ref.</i>	<i>Part Number</i>	<i>Qty.</i>	<i>Description</i>	<i>Ref.</i>	<i>Part Number</i>	<i>Qty.</i>	<i>Description</i>
35	323-11	12	Screw-HH	38	105-9831-03	1	Bracket-Bumper, No. 1
36	104-8301	12	Nut-Flange, NI	39	240-14	3	Bumper-Rubber
37	99-7667	3	Washer-Flat	40	104-7201	3	Nut-HF

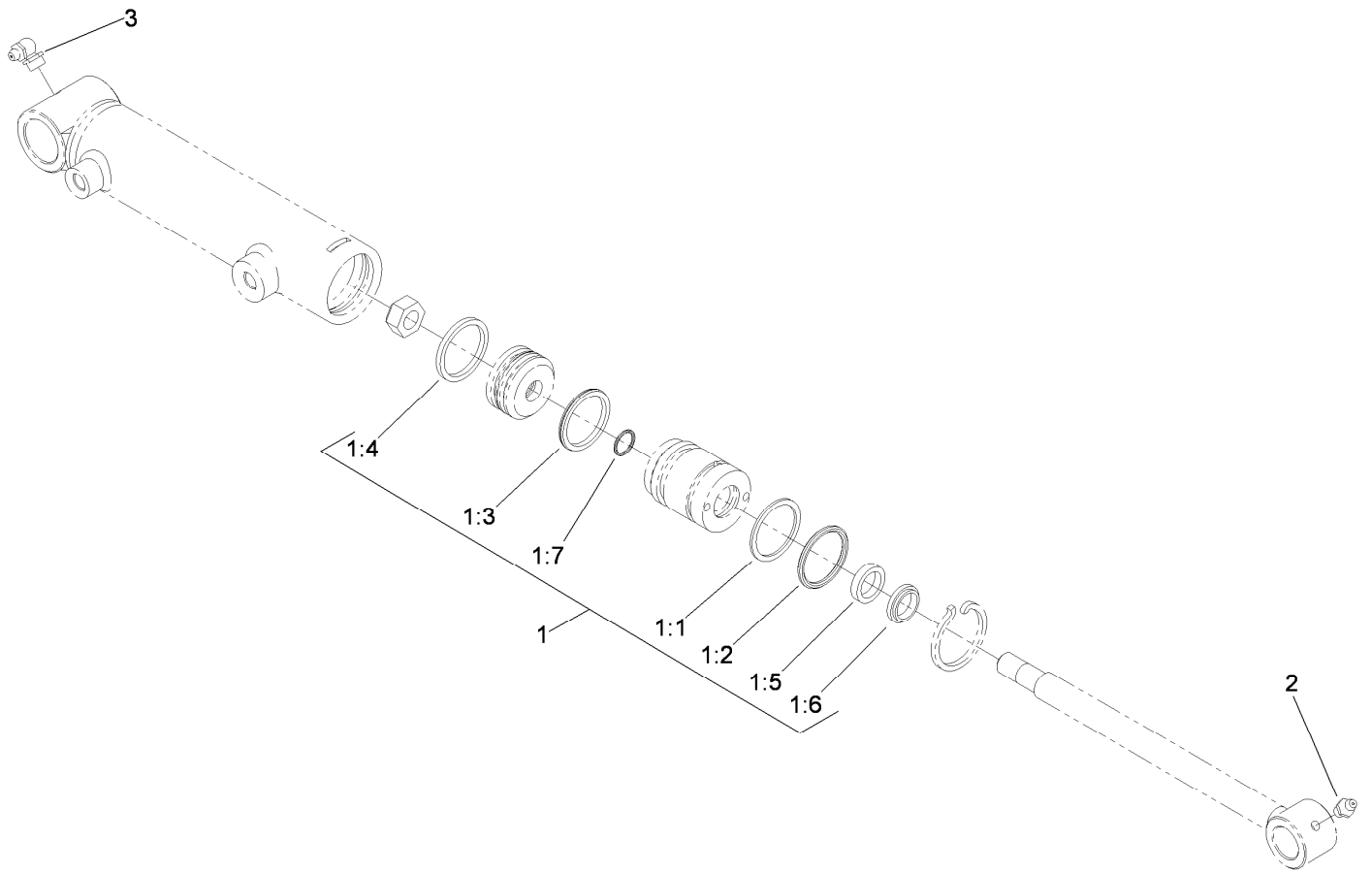
● Not serviced separately



## Rear Lift Cylinder and Plumbing Assembly

Ref.	Part Number	Qty.	Description
1	119-6988	2	HYD Cylinder ASM
2	340-132	4	Fitting-HYD, 90 DEG
2:1	237-78	1	O-Ring
2:2	237-21	1	O-Ring
3	340-68	2	Fitting-Tee, Bulkhead
3:1	237-22	3	O-Ring
4	117-0179	1	Bracket-Bulkhead
6	340-70	2	Nut-Lock
12	105-5402	2	Hose-HYD
13	105-5405	2	Hose-HYD

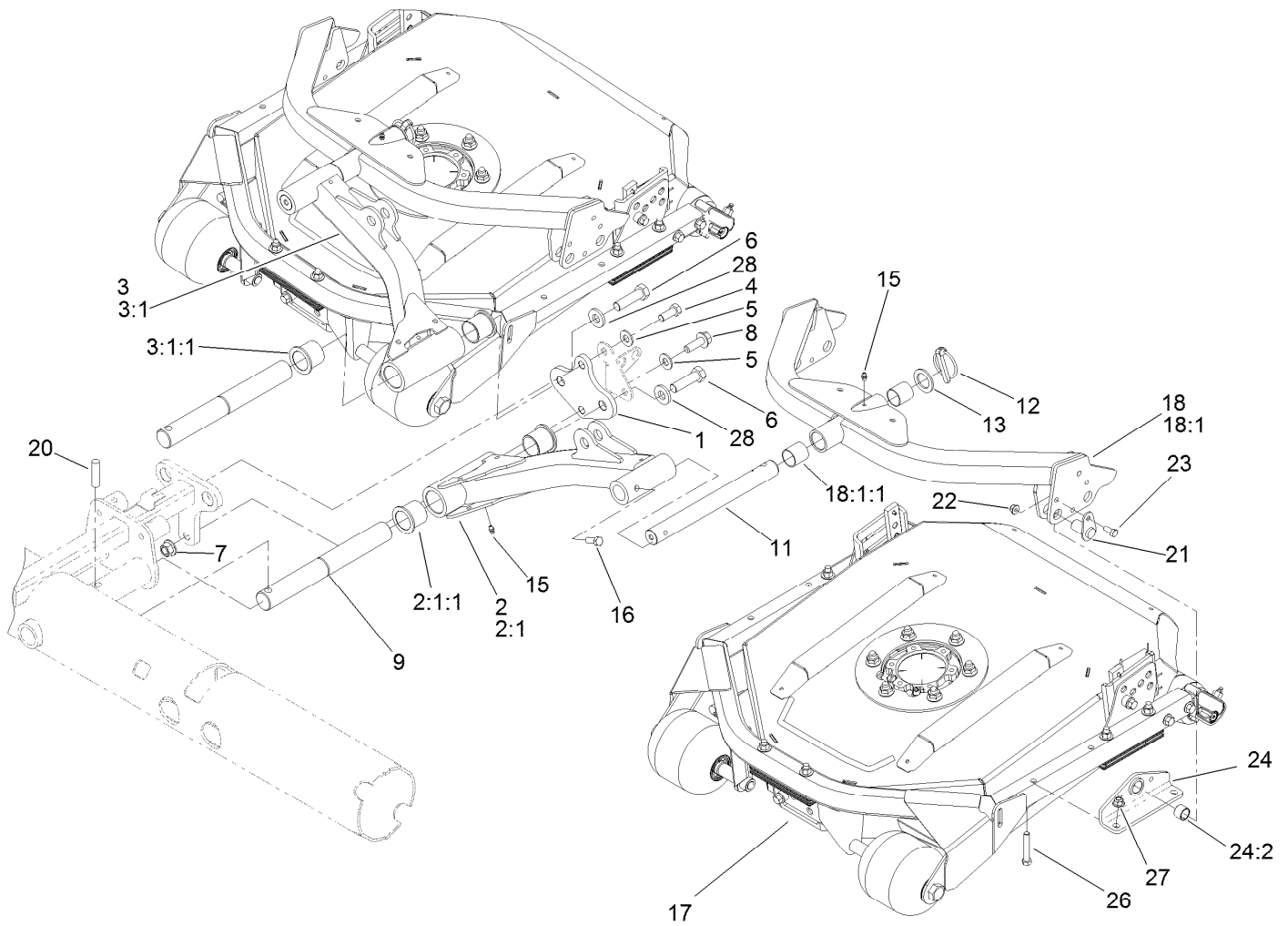
Ref.	Part Number	Qty.	Description
16	3234-38	2	Screw-HHF
17	3256-6	2	Washer-Flat
18	117-0148	2	Pin-Cylinder
19	104-0046	2	Pin-Slide, Cylinder
20	32120-93	4	Ring-Retaining
21	3-6498	4	Washer-Thrust
23	323-9	2	Screw-HH
24	3296-59	2	Nut-Lock, NI
25	2412-137	2	Clamp-R, Double
26	32104-32	2	Screw-HWH



## Hydraulic Cylinder Assembly No. 119-6988

Ref.	Part Number	Qty.	Description
1	119-6992	1	Seal Kit
1:1		1	Ring-Retaining ●
1:2		1	Backup ●
1:3		1	Bp Seal ●
1:4		1	Wear Ring-Ht ●
1:5		1	Bs Seal ●
1:6		1	Dust Seal-Dt ●
1:7		1	Ring-Retaining ●
2	302-5	1	Fitting-Grease
3	302-33	1	Fitting-Grease

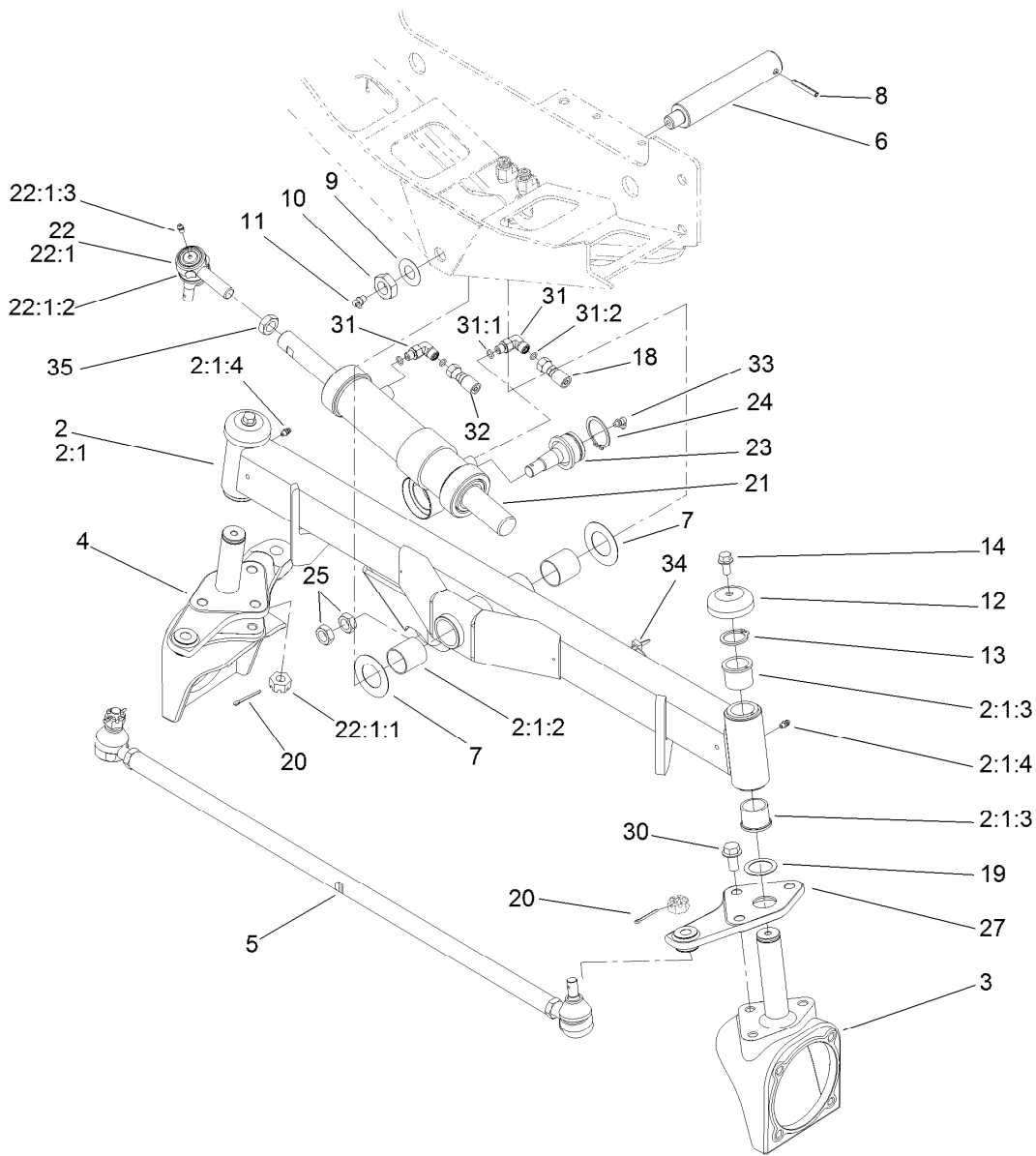
● Not serviced separately



## Rear Lift Arm Assembly

Ref.	Part Number	Qty.	Description	Ref.	Part Number	Qty.	Description
1	114-0352-01	1	Plate-Bridge, No. 2 And 3	15	302-5	4	Fitting-Grease
2	114-0382-03	1	Arm No. 2 ASM	16	323-6	2	Screw-HH
2:1		1	Arm 2 ●	17	30845	2	22 Inch Contour Plus Replacement Deck
2:1:1	69-6470	2	Bushing-Castor	18	108-7384-03	2	Carrier Frame ASM
3	114-0383-03	1	Arm No. 3 ASM	18:1		1	Frame-Carrier ●
3:1		1	Arm 3 ●	18:1:1	108-4000	2	Bushing
3:1:1	69-6470	2	Bushing-Castor	20	32121-122	2	Pin-Roll
4	325-5	1	Screw-HH	21	117-0132	4	Pin ASM
5	87-7270	2	Washer-Thrust	22	104-8300	4	Nut-Flange, NI
6	327-7	2	Screw-HH	23	322-3	4	Screw-HH
7	99-5107	1	Nut-Lock	24	117-0118	4	Pivot ASM
8	325-7	1	Screw-HH	24:2	108-8482	1	Bushing-Sleeve
9	117-0208	2	Shaft-Pivot, Liftarm	26	323-11	8	Screw-HH
11	95-8979	2	Shaft	27	104-8301	8	Nut-Flange, NI
12	283-71	2	Pin-Lynch	28	99-7667	2	Washer-Flat
13	3-6781	2	Washer-Thrust				

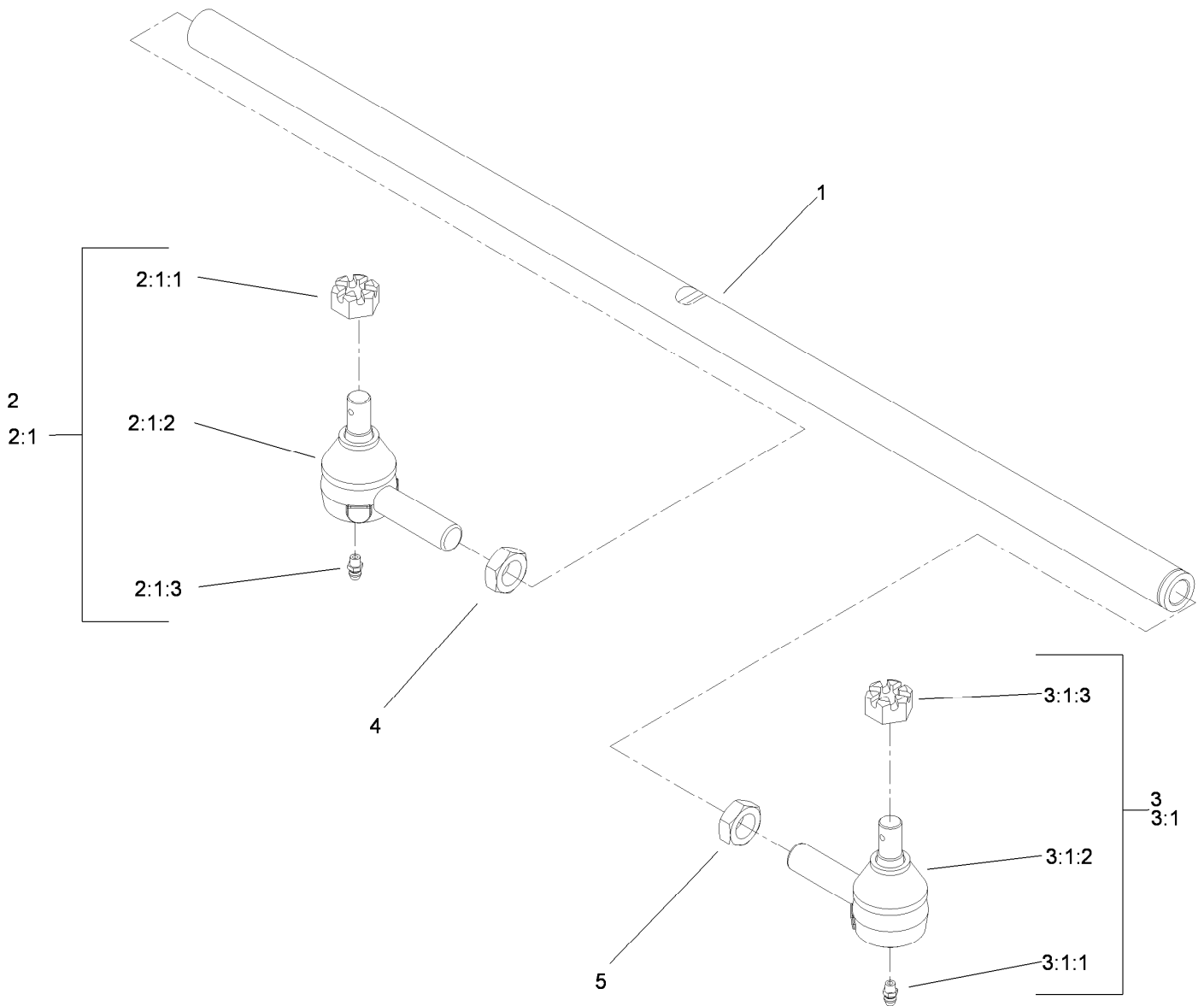
● Not serviced separately



## Rear Axle Assembly

Ref.	Part Number	Qty.	Description	Ref.	Part Number	Qty.	Description
2	117-0256-03	1	Axle ASM	20	3272-12	3	Pin-Cotter
2:1		1	Axle ●	21	114-0403	1	HYD Steering Cylinder ASM
2:1:2	99-6964	2	Bushing-Axle	22	71-4740-03	1	End-Rod, Tie
2:1:3	104-0015	4	Bushing-Flange	22:1		1	End-Rod, Tie (RH) ●
2:1:4	302-5	2	Fitting-Grease	22:1:1	105-7941	1	Nut-Hex, Slotted
3	107-4517-03	2	Housing-Motor	22:1:2	105-7835	1	Seal
4	110-5295-03	1	Link-Drag, RH	22:1:3	302-5	1	Fitting-Grease
5	110-5334-03	1	Tie Rod ASM	23	106-6774	1	Joint-Ball
6	98-8173	1	Pin-Pivot, Axle	24	32151-104	1	Ring-Retaining, External
7	99-8432	2	Washer-Thrust	25	3220-6	2	Nut-Jam
8	32121-32	1	Pin-Roll	27	110-5297-03	1	Link-Drag, LH
9	71-4540	1	Washer-Thrust	30	3234-6	6	Screw-HHF
10	32146-20	1	Nut-Hex	31	340-132	2	Fitting-HYD, 90 DEG
11	302-33	1	Fitting-Grease	31:1	237-78	1	O-Ring
12	69-8890	2	Cap-Spindle	31:2	237-21	1	O-Ring
13	32151-77	2	Ring-Retaining, EXT	32	110-0973	1	Hose-HYD
14	3234-1	2	Screw-HHF	33	302-40	1	Fitting-Grease
18	110-0928	1	Hose-HYD	34	3290-378	2	Tie-Cable
19	76-2980	2	Washer-Thrust	35	84-5300	1	Nut-Jam

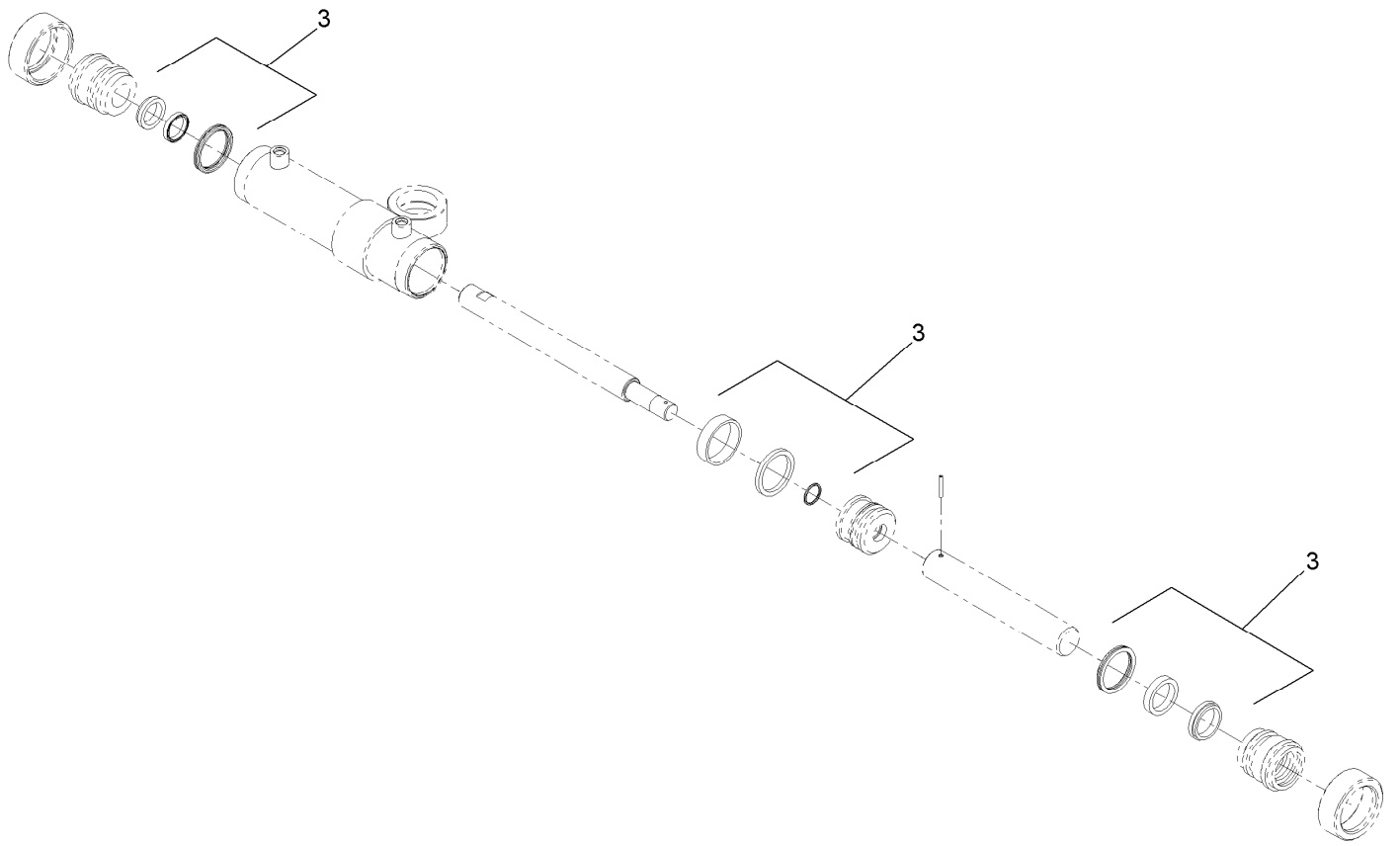
● Not serviced separately



## Tie Rod Assembly No. 110-5334-03

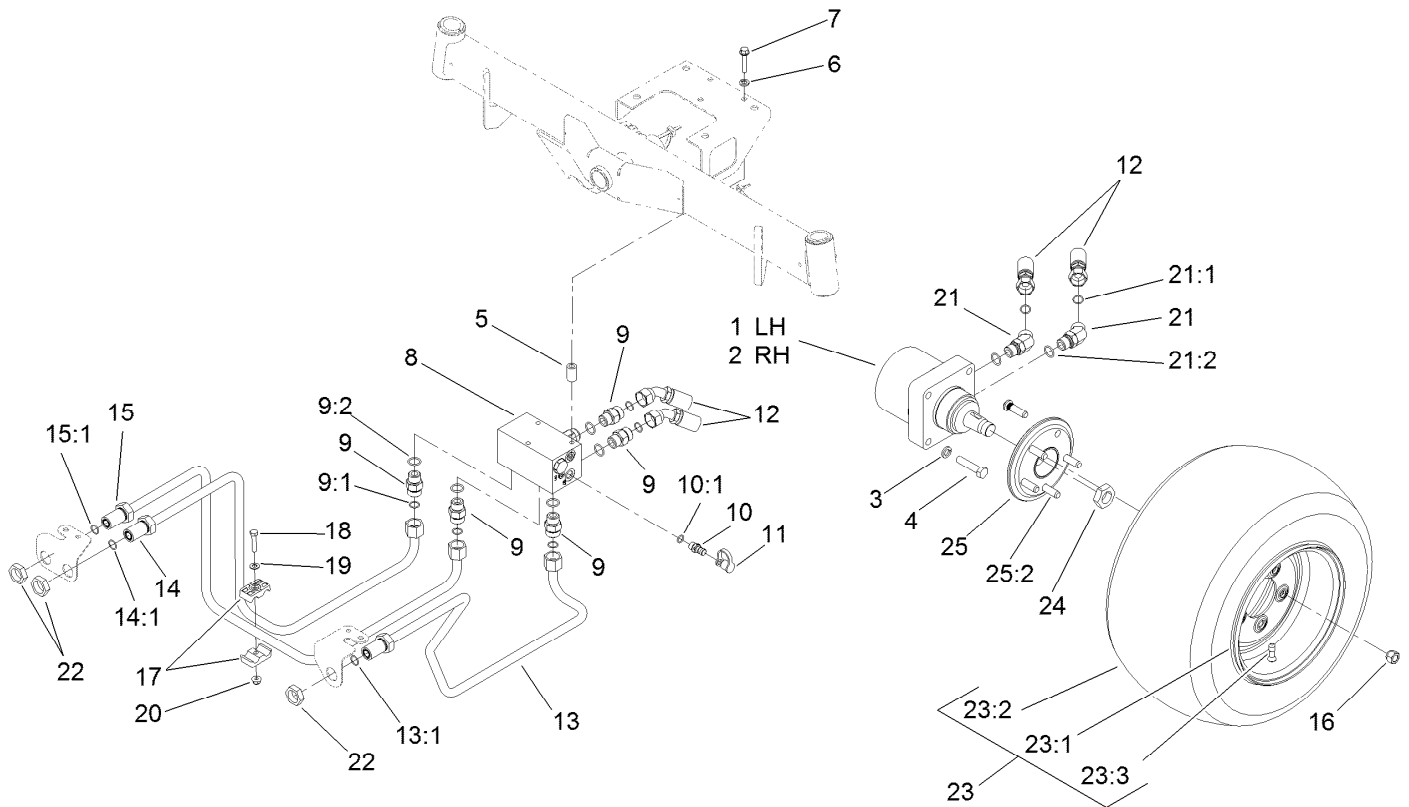
Ref.	Part Number	Qty.	Description
1	110-5335	1	Rod-Tie
2	71-4740-03	1	End-Rod, Tie
2:1		1	End-Rod, Tie (RH) ●
2:1:1	105-7941	1	Nut-Hex, Slotted
2:1:2	105-7835	1	Seal
2:1:3	302-5	1	Fitting-Grease
3	2411-46-03	1	End-Rod, Tie (LH)
3:1		1	End-Rod, Tie (LH) ●
3:1:1	302-5	1	Fitting-Grease
3:1:2	105-7835	1	Seal
3:1:3	105-7941	1	Nut-Hex, Slotted
4	84-5300	1	Nut-Jam
5	110-5337	1	Nut-Jam

● Not serviced separately



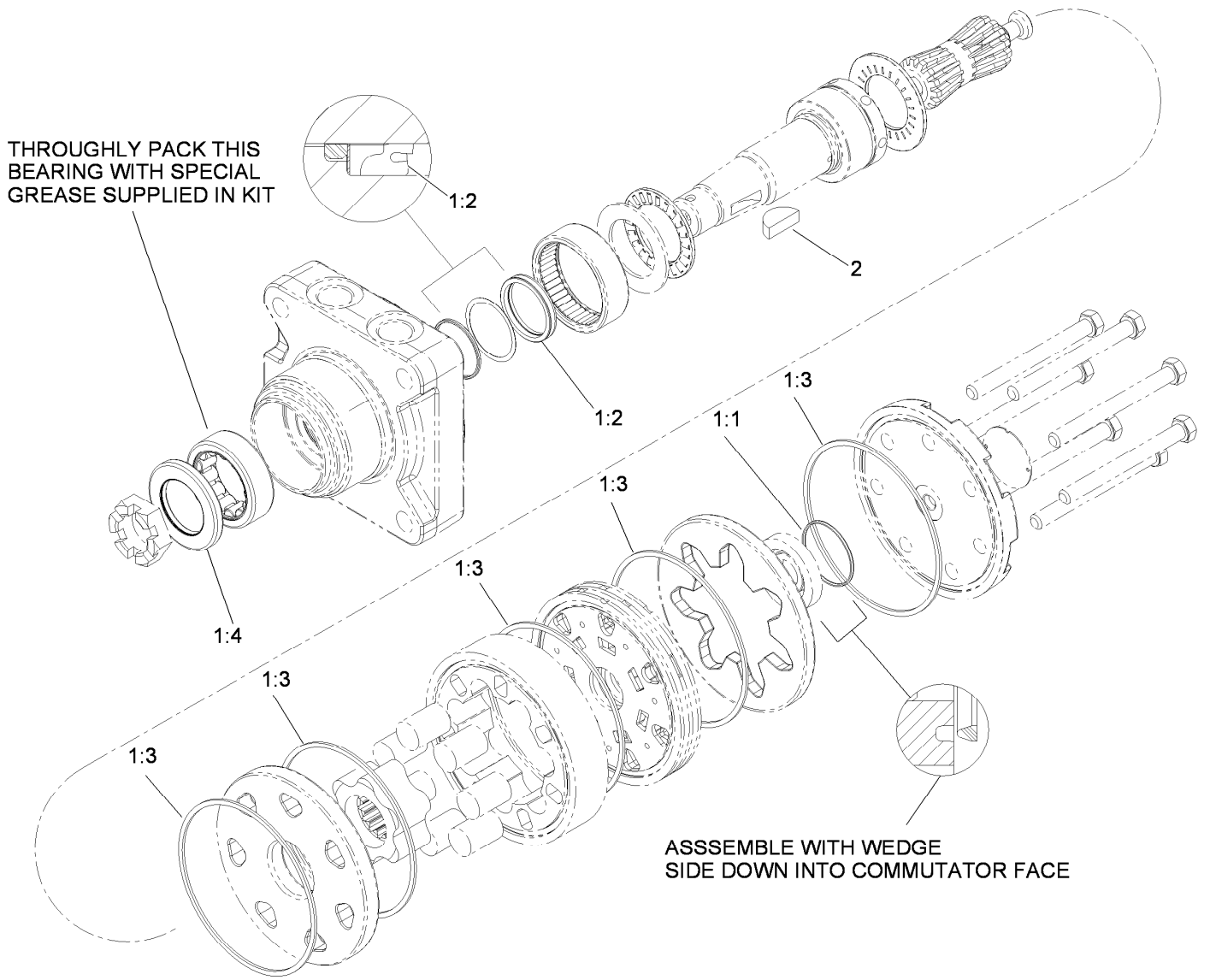
## Hydraulic Cylinder Assembly No. 114-0403

<i>Ref.</i>	<i>Part Number</i>	<i>Qty.</i>	<i>Description</i>
3	114-0404	1	Cylinder Repair Kit



## All Wheel Drive Assembly

<i>Ref.</i>	<i>Part Number</i>	<i>Qty.</i>	<i>Description</i>	<i>Ref.</i>	<i>Part Number</i>	<i>Qty.</i>	<i>Description</i>
1	107-4544	1	HYD Motor ASM	15	108-7624	1	Tube ASM
2	110-0901	1	HYD Motor ASM	15:1	237-65	1	O-Ring
3	3253-7	8	Washer-Lock	16	242-50	10	Nut-Lug
4	325-9	8	Screw-HH	17	56-7971	2	Clamp-Tube
5	93-6981	3	Spacer	18	322-7	1	Screw-HH
6	3253-21	3	Washer-Lock	19	3256-23	1	Washer-Flat
7	323-9	3	Screw-HH	20	104-8300	1	Nut-Flange, NI
8	108-1825	1	HYD Manifold ASM	21	340-14	4	Fitting-HYD, 45 DEG
9	340-7	7	Adapter	21:1	237-65	1	O-Ring
9:1	237-65	1	O-Ring	21:2	237-80	1	O-Ring
9:2	237-80	1	O-Ring	22	340-74	3	Nut-Lock, Bulkhead
10	59-7410	2	Fitting-Diagnostic	23	117-0281	2	Rim And Tire ASM
10:1	237-42	1	O-Ring	23:1	117-0280	1	Rim
11	354-79	2	Cap-Dust	23:2	117-5125	1	Tire
12	106-3662	4	Hose-HYD	23:3	232-27	1	Stem-Valve
13	108-7626	1	Tube ASM	24	26-3790	2	Nut-Lock
13:1	237-65	1	O-Ring	25	110-9046	2	Hub ASM
14	108-7625	1	Tube ASM	25:2	10-6830	5	Stud-Type, Drive
14:1	237-65	1	O-Ring				



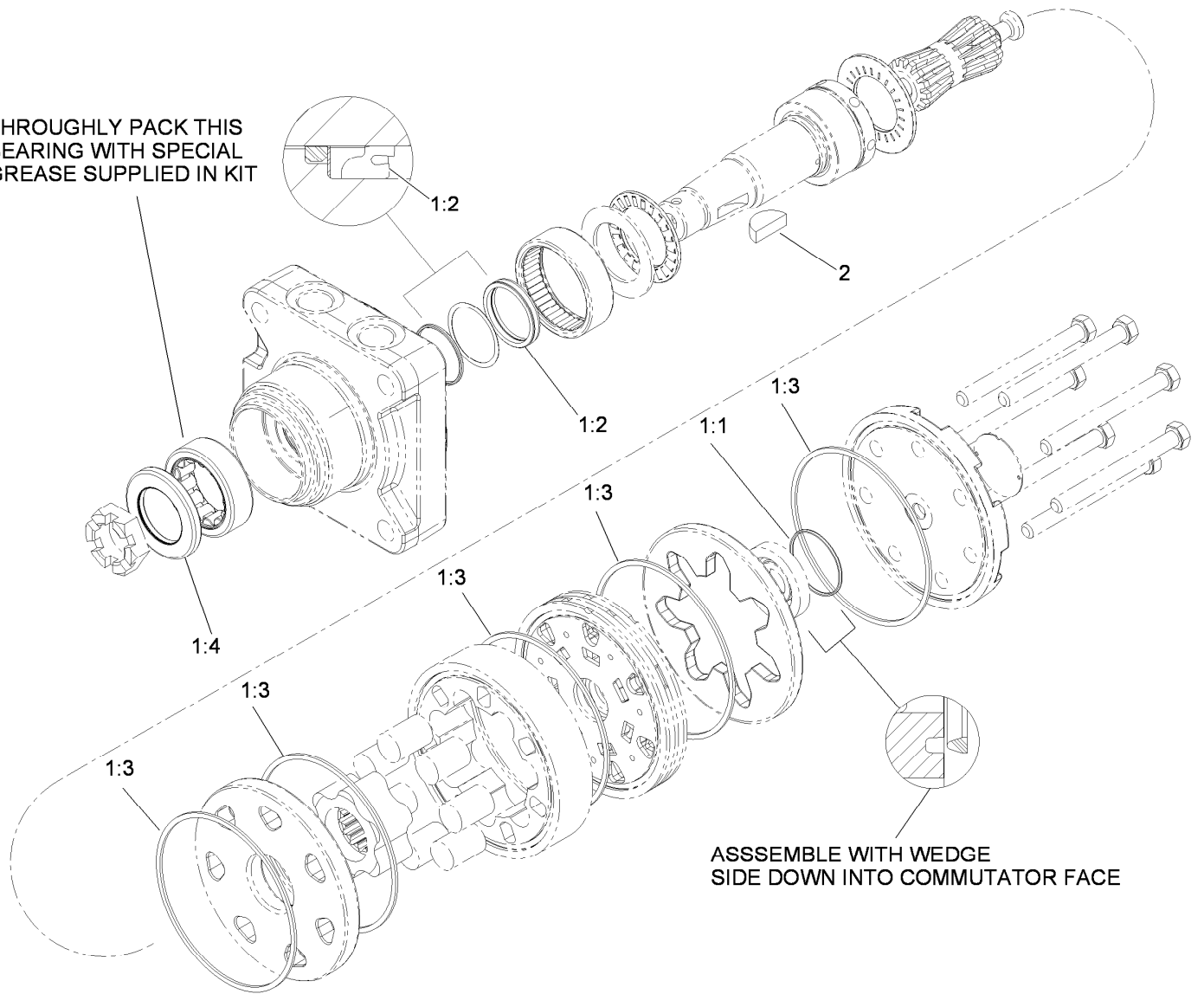
## Hydraulic Motor Assembly No. 107-4544

Ref.	Part Number	Qty.	Description
1	110-8897	1	Seal Kit ●
1:1		1	Seal-Commutator, Vespel ■
1:2		1	Seal-Shaft ■
1:3		5	Seal-Body, Buna ■
1:4		1	Seal-Dirt / Water ■
2	3257-42	1	Key-Woodruff

● Not illustrated

■ Not serviced separately

THOROUGHLY PACK THIS BEARING WITH SPECIAL GREASE SUPPLIED IN KIT



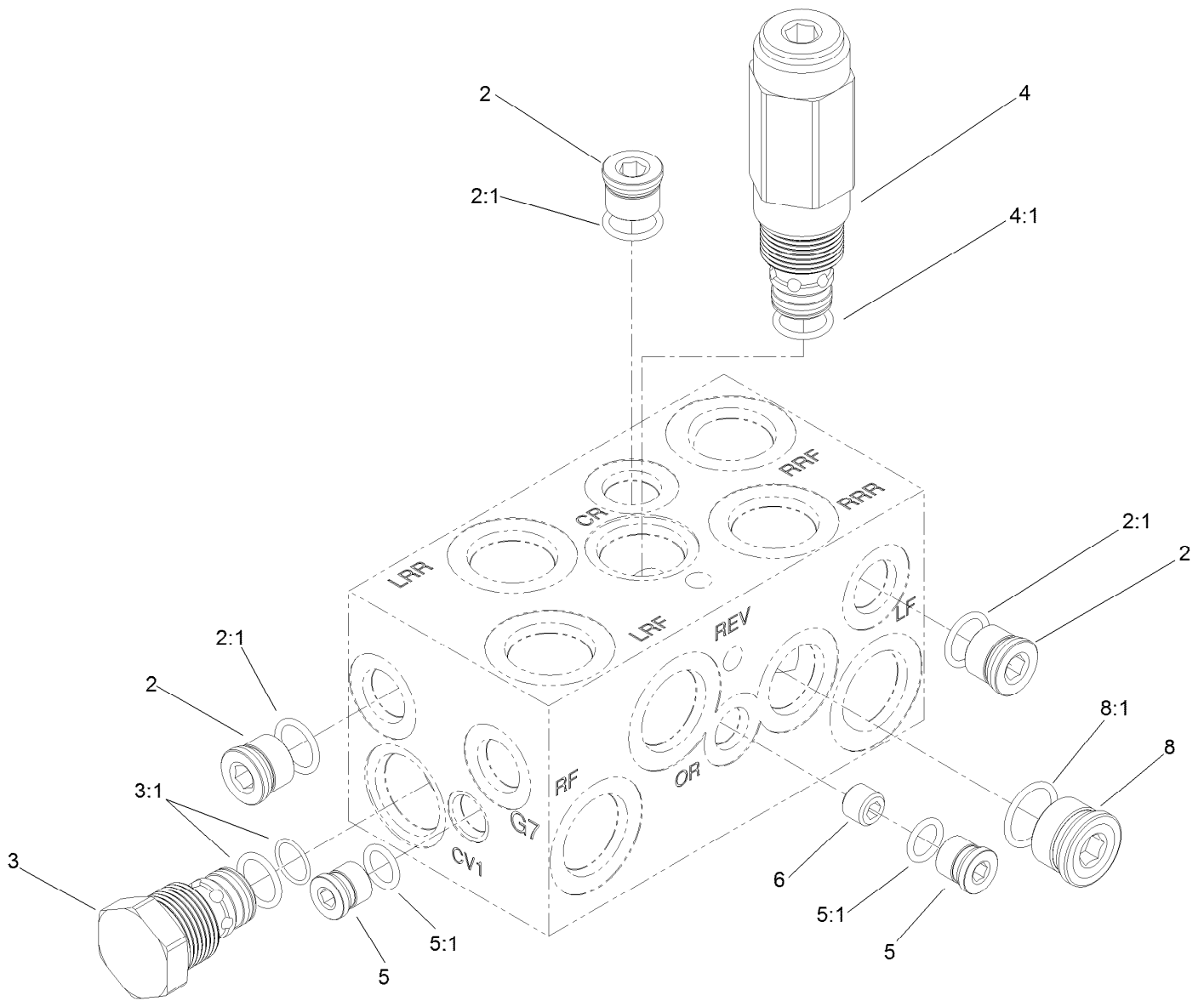
ASSEMBLE WITH WEDGE  
SIDE DOWN INTO COMMUTATOR FACE

## Hydraulic Motor Assembly No. 110-0901

Ref.	Part Number	Qty.	Description
1	110-8897	1	Seal Kit ●
1:1		1	Seal-Commutator, Vespel ■
1:2		1	Seal-Shaft ■
1:3		5	Seal-Body, Buna ■
1:4		1	Seal-Dirt / Water ■
2	3257-42	1	Key-Woodruff

● Not illustrated

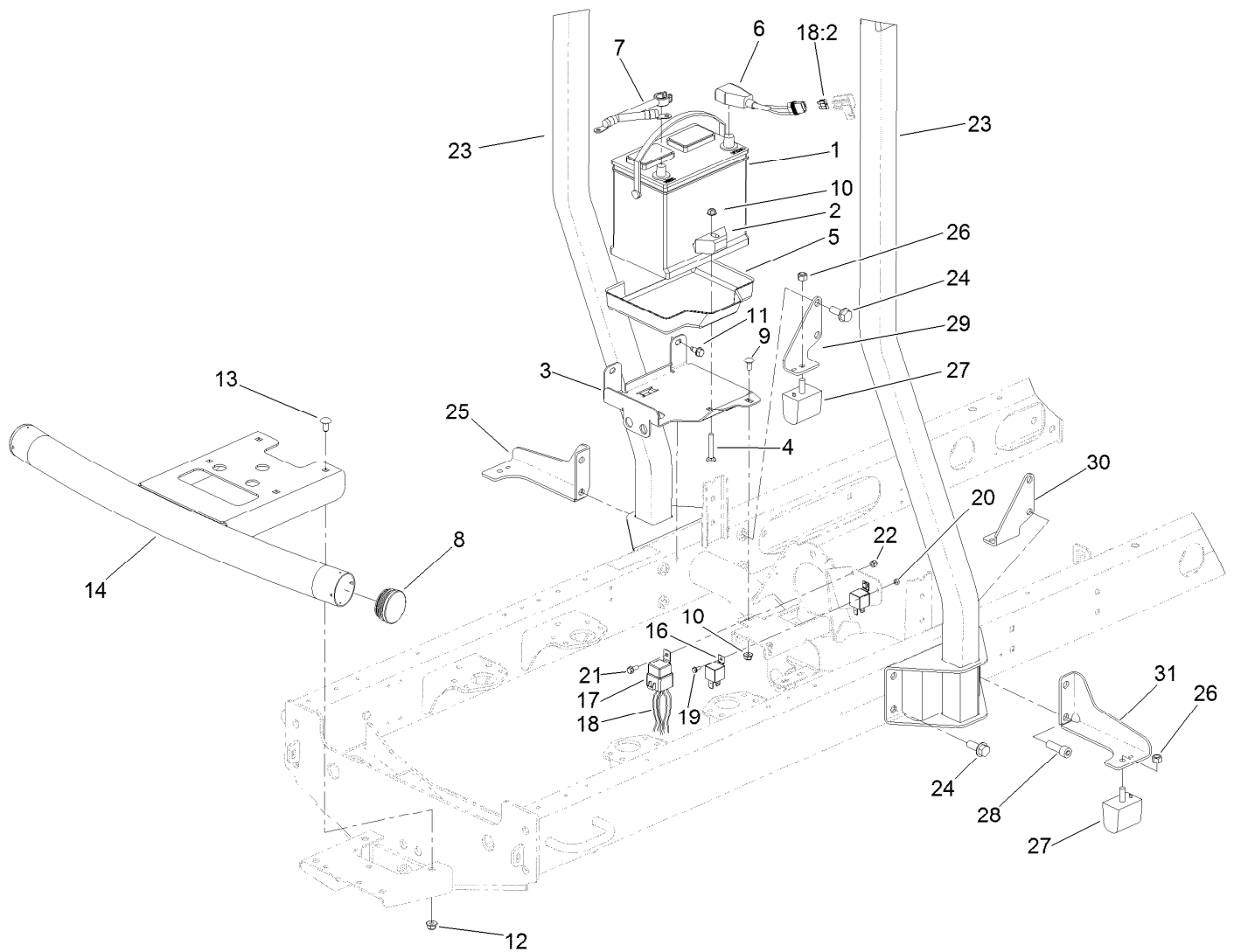
■ Not serviced separately



## Four Wheel Drive Manifold Assembly No. 108-1825

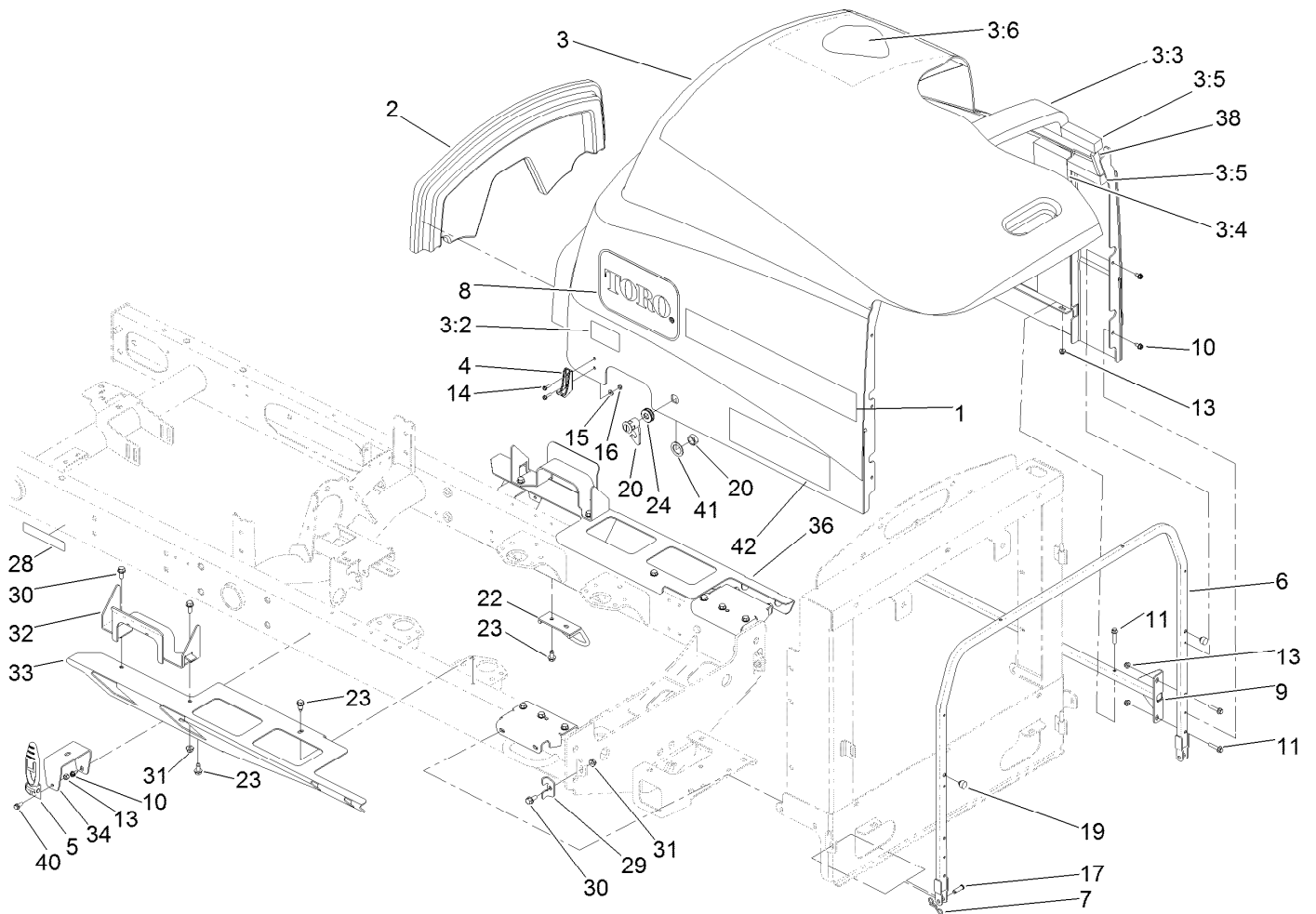
<i>Ref.</i>	<i>Part Number</i>	<i>Qty.</i>	<i>Description</i>
2	106-1026	3	Plug-HYD
2:1	237-42	1	O-Ring
3	110-8881	2	Valve-Check
3:1	105-9159	1	Seal Kit ●
4	110-8882	1	Valve-Relief, Cross Over
4:1	110-6316	1	Seal Kit
5	106-1025	2	Plug-HYD
5:1	237-78	1	O-Ring
6	110-8883	1	Plug-Orifice (0.040)
8	106-1027	1	Plug-HYD
8:1	237-79	1	O-Ring

● Not illustrated



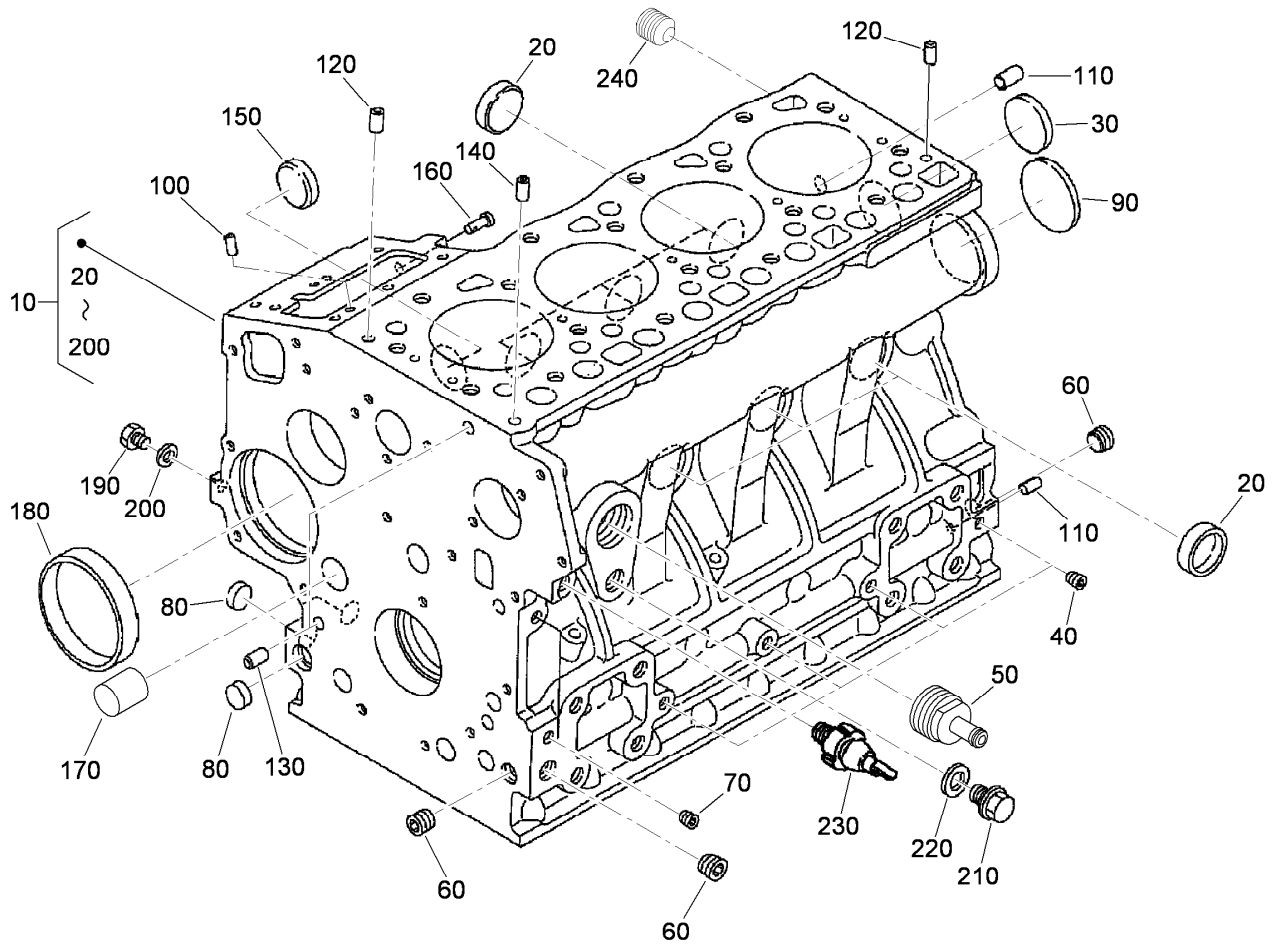
## Battery and Bumper Assembly

Ref.	Part Number	Qty.	Description	Ref.	Part Number	Qty.	Description
1	104-9979	1	Battery	18	117-0153	1	Harness-Wire
2	66-2490	1	Retainer-Battery	18:2	94-6710	1	Fuse-2 Amp
3	110-0907-01	1	Bracket-Battery	19	3290-321	2	Screw-HWH
4	3230-6	1	Screw-CARR	20	3296-2	2	Nut-Lock, NI
5	99-3513	1	Tray-Battery	21	3234-33	1	Screw-HHF
6	108-1802	1	Cable-Battery, Positive	22	3296-42	1	Nut-Lock, NI
7	110-8813	1	Cable-Battery, Negative	23	110-8920	1	ROPS ASM
8	2410-42	2	Cap-End	24	3234-38	8	Screw-HHF
9	3230-1	1	Bolt-CARR	25	117-0184-03	1	Bracket-Bumper, LH
10	104-8300	2	Nut-Flange, NI	26	33025-00	4	Nut-Lock, NI
11	32104-32	2	Screw-HWH	27	87-3470	4	Bumper-Axle, Rear
12	104-8301	4	Nut-Flange, NI	28	3274-4	4	Screw-HSH
13	3231-21	4	Screw-CARR	29	117-0183-03	1	Bracket-Bumper, LH
14	110-8951-03	1	Bumper	30	117-0234-03	1	Bracket-Bumper, RH
16	99-7435	2	Relay-Power	31	117-0233-03	1	Bracket-Bumper, RH
17	99-7430	1	Relay				



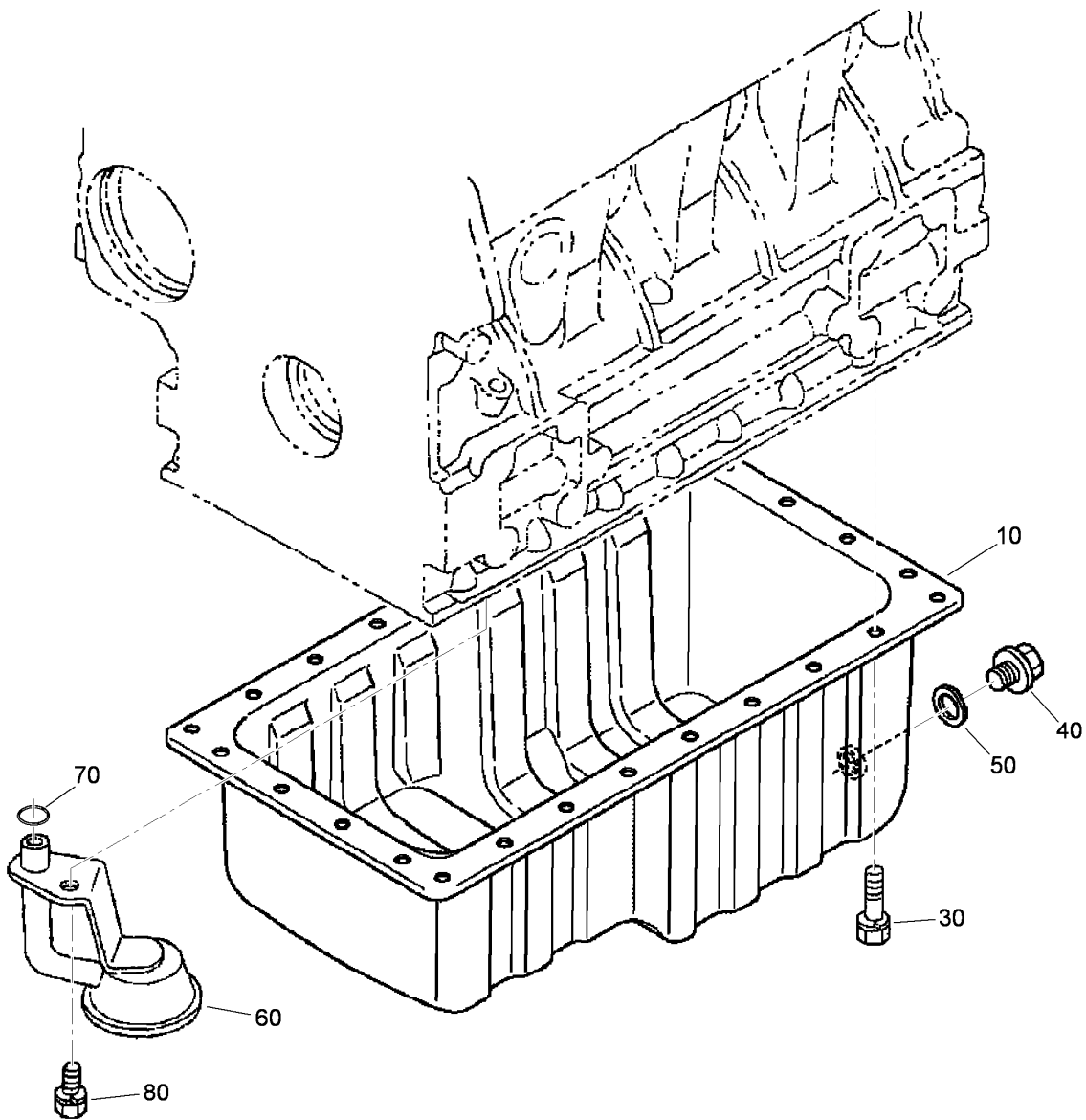
## Hood and Body Panel Assembly

Ref.	Part Number	Qty.	Description	Ref.	Part Number	Qty.	Description
1	117-0173	2	Decal	16	3296-12	4	Nut-Lock, NI
2	108-7587	1	Saddle-Hood	17	283-61	2	Pin-Yoke
3	110-8995	1	Hood ASM	19	107-8042	2	Bumper-Rubber
3:2	106-6754	1	Decal-Danger	20	98-5398	1	Latch
3:3	110-8948	1	Foam-Hood	22	110-8999	1	Guard-Muffler
3:4	110-8947	2	Foam-Hood	23	32104-32	6	Screw-HWH
3:5	110-8949	4	Seal-Foam	24	104-1453	1	Grommet
3:6	110-9002	1	Foil Tape Kit	28	93-6689	2	Decal-No Riders
4	103-2897	2	Latch-Catch	29	110-8946	2	Clamp-Frame, Radiator
5	103-2898	2	Latch-Rubber	30	3234-5	6	Screw-HHF
6	110-5277-03	1	Frame-Hood	31	104-8300	6	Nut-Flange, NI
7	105-7512	2	Pin-Tie, Bow	32	110-5259-03	2	Bracket-Hood, Guide
8	66-6140	2	Decal	33	110-5253-01	1	Adapter-Hood, LH
9	108-1790-03	2	Tube	34	110-5256-01	2	Bracket-Latch, Hood
10	32104-17	8	Screw-HWH	36	110-5254-01	1	Adapter-Hood, RH
11	3234-21	10	Screw-HHF	38	110-8950	2	Seal-Foam
13	104-7201	12	Nut-HF	40	3234-33	2	Screw-HHF
14	32105-13	4	Screw-HWH	41	99-4958	1	Spacer
15	3256-14	4	Washer-Flat	42	110-8859	2	Decal



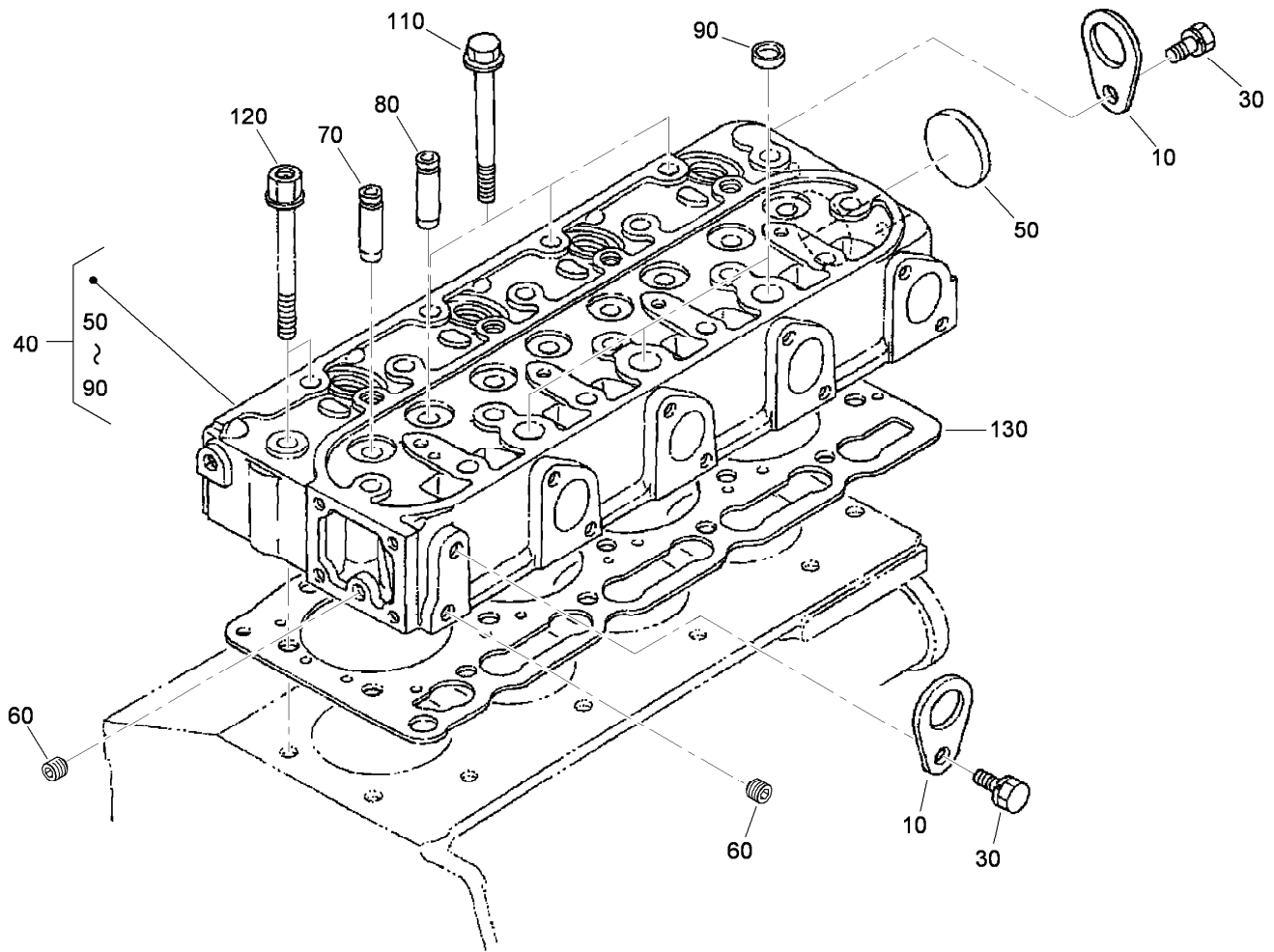
## Crankcase Assembly

<i>Ref.</i>	<i>Part Number</i>	<i>Qty.</i>	<i>Description</i>
10	115-4115	1	Crankcase ASM
20	98-9398	6	Cap-Sealing
30	98-7539	1	Cap-Sealing
40	98-7540	4	Plug
50	99-8347	1	Joint-Pipe, Drain
60	98-9597	3	Plug
70	98-7487	2	Plug
80	98-9379	3	Plug-Expansion
90	98-9668	1	Plug-Expansion
100	98-9375	1	Pin-Straight
110	98-9377	1	Pin-Straight
120	98-9376	2	Pin-Straight
130	98-9387	2	Pin-Pipe
140	98-9539	1	Pin-Pipe
150	98-9599	1	Plug
160	105-3796	1	Pin-Spring, Start
170	98-9675	1	Plug
180	98-9656	1	Bushing-Governor, Gear
190	98-7507	1	Plug
200	98-7428	1	Gasket
210	99-3447	1	Plug
220	106-7056	1	Gasket
230	98-9416	1	Switch-Oil
240	98-9444	1	Plug



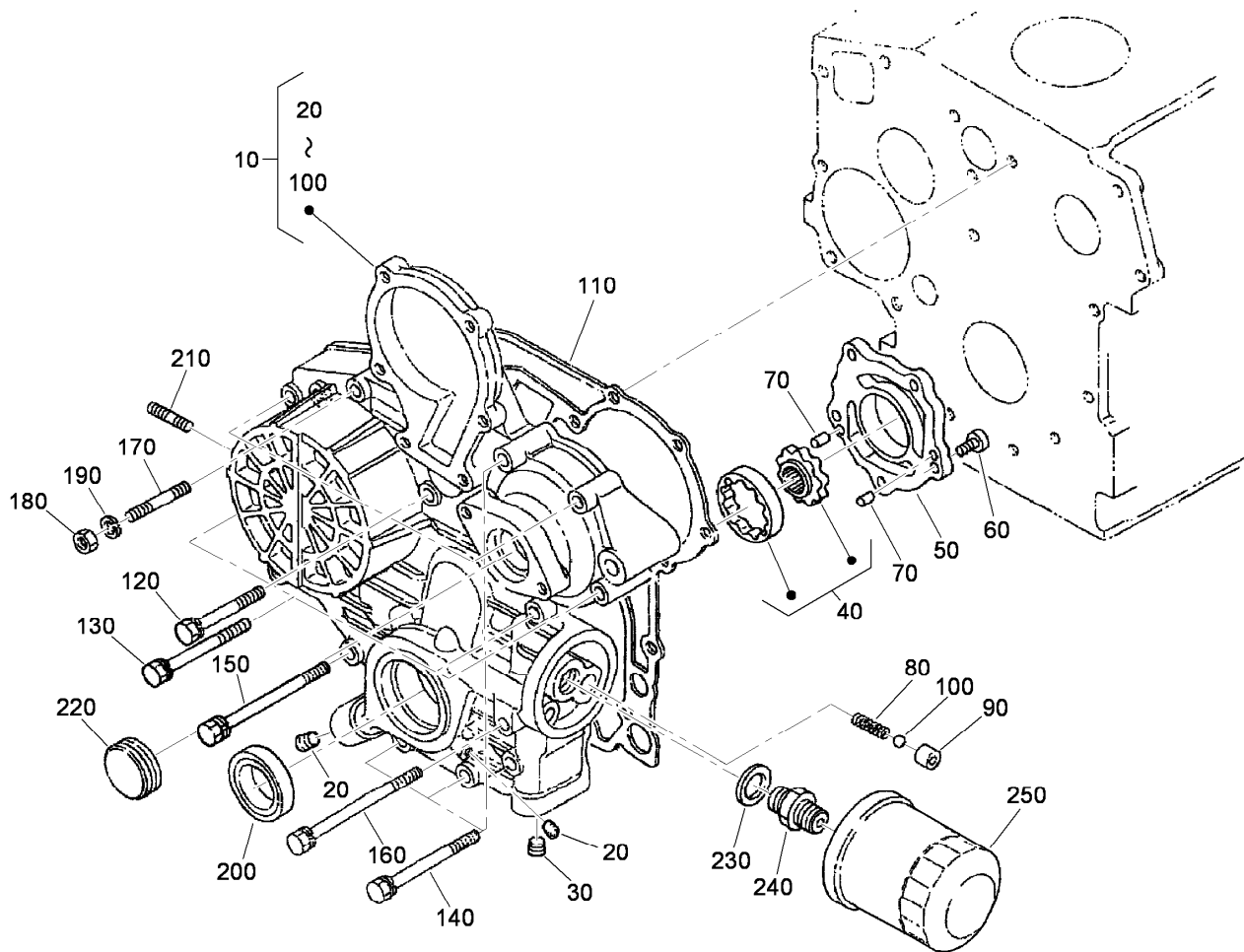
## Oil Pan Assembly

<i>Ref.</i>	<i>Part Number</i>	<i>Qty.</i>	<i>Description</i>
10	112-0186	1	Oil Pan ASM
30	98-9351	26	Bolt
40	114-8151	1	Plug-Drain
50	98-7524	1	Gasket
60	112-7003	1	Head-Filter, Oil
70	105-3776	1	O-Ring
80	98-7526	1	Bolt



## Cylinder Head Assembly

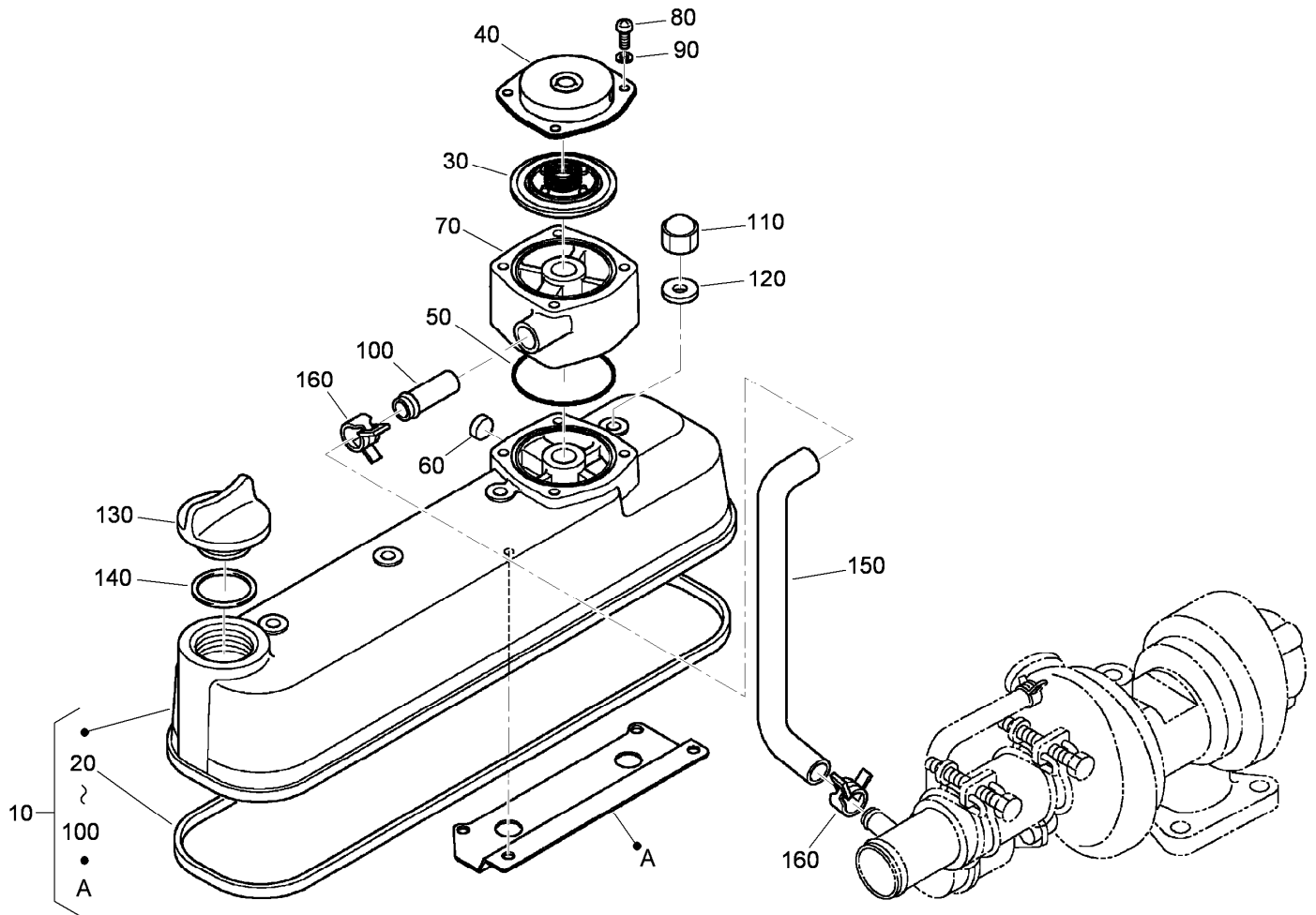
<i>Ref.</i>	<i>Part Number</i>	<i>Qty.</i>	<i>Description</i>
10	98-7531	2	Hook-Engine
30	100-9195	2	Bolt
40	108-2854	1	Cylinder Head ASM
50	105-3705	1	Cap-Sealing
60	98-7540	2	Plug
70	107-9066	4	Guide-Valve, Inlet
80	107-9067	4	Guide-Valve, Exhaust
90	98-9389	3	Cap-Sealing
110	98-9479	16	Bolt-Head, Cylinder
120	98-9647	2	Bolt-Head, Cylinder
130	108-2855	1	Gasket-Head, Cylinder



## Gear Case Assembly

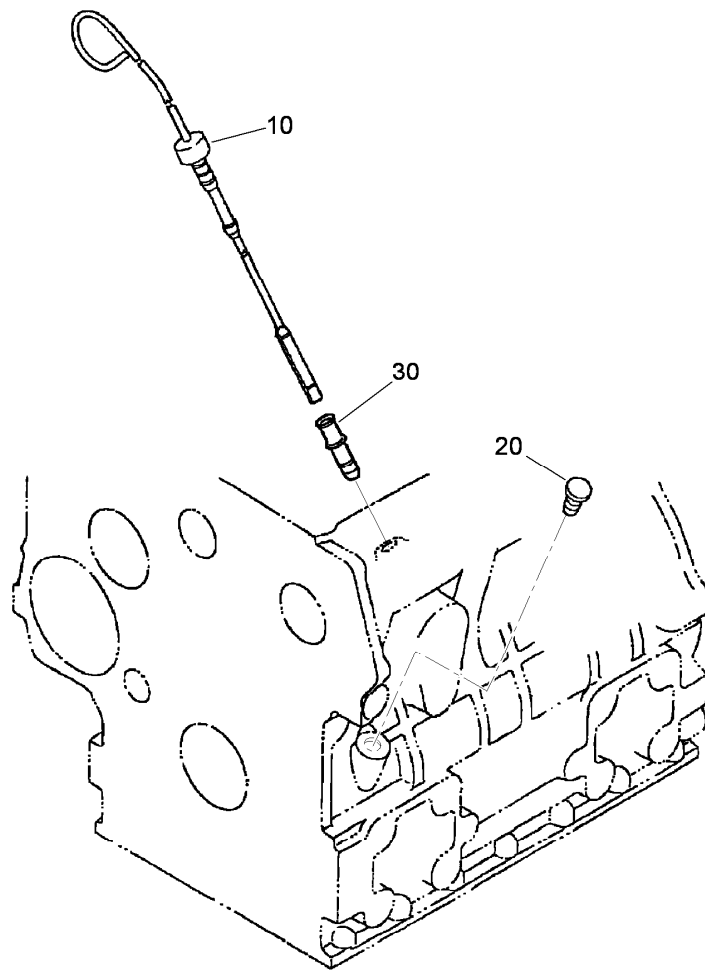
<i>Ref.</i>	<i>Part Number</i>	<i>Qty.</i>	<i>Description</i>
10	115-4111	1	Gear Case ASM
20	98-9598	5	Plug
30	98-7487	1	Plug
40	98-9540	1	Oil Pump Rotor ASM
50	107-9069	1	Cover-Pump, Oil
60	107-9071	1	Screw
70	107-9072	1	Pin-Straight
80	98-9544	1	Spring
90	98-9543	1	Seat-Valve
100	98-9380	1	Ball
110	98-9633	1	Gasket-Case, Gear
120	98-7496	3	Bolt
130	105-3797	4	Bolt

<i>Ref.</i>	<i>Part Number</i>	<i>Qty.</i>	<i>Description</i>
140	98-9356	2	Bolt
150	107-9074	1	Bolt
160	98-9586	1	Bolt
170	105-3709	1	Stud
180	98-7572	1	Nut
190	98-7699	1	Washer-Spring
200	98-9482	1	Seal-Oil
210	105-3710	2	Stud
220	98-9641	1	Cover-Case, Gear
230	98-9727	1	Collar
240	104-5159	1	Holder ASM
250	108-3841	1	Filter-Oil



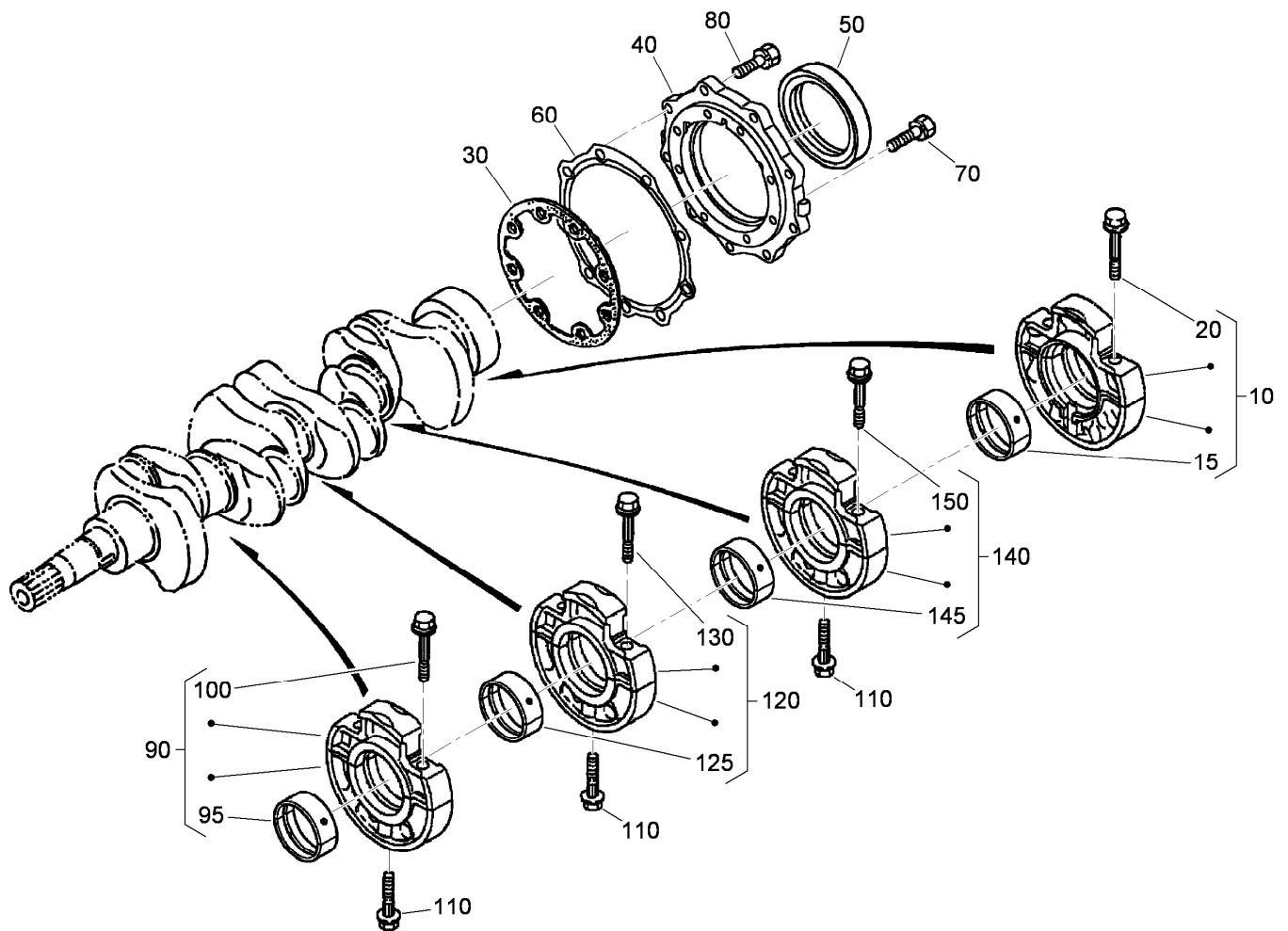
## Cylinder Head Cover Assembly

<i>Ref.</i>	<i>Part Number</i>	<i>Qty.</i>	<i>Description</i>
10	115-3041	1	Cylinder Head Cover ASM
20	105-3712	1	Gasket-Cover, Head
30	110-3715	1	Valve-Breather
40	110-3714	1	Cover-Breather
50	110-3846	1	O Ring-Breather
60	115-3042	1	Cap-Sealing
70	115-3043	1	Spacer-Breather
80	115-3044	4	Screw-Pan Head
90	100-2204	4	Washer-Spring
100	98-7766	1	Pipe-Return, Water
110	98-9455	4	Nut-Cap
120	98-9454	4	Gasket
130	107-9075	1	Plug-Filler, Oil
140	99-3446	1	O-Ring
150	115-4119	1	Tube-Breather, Turbo
160	108-2859	2	Clamp-Hose



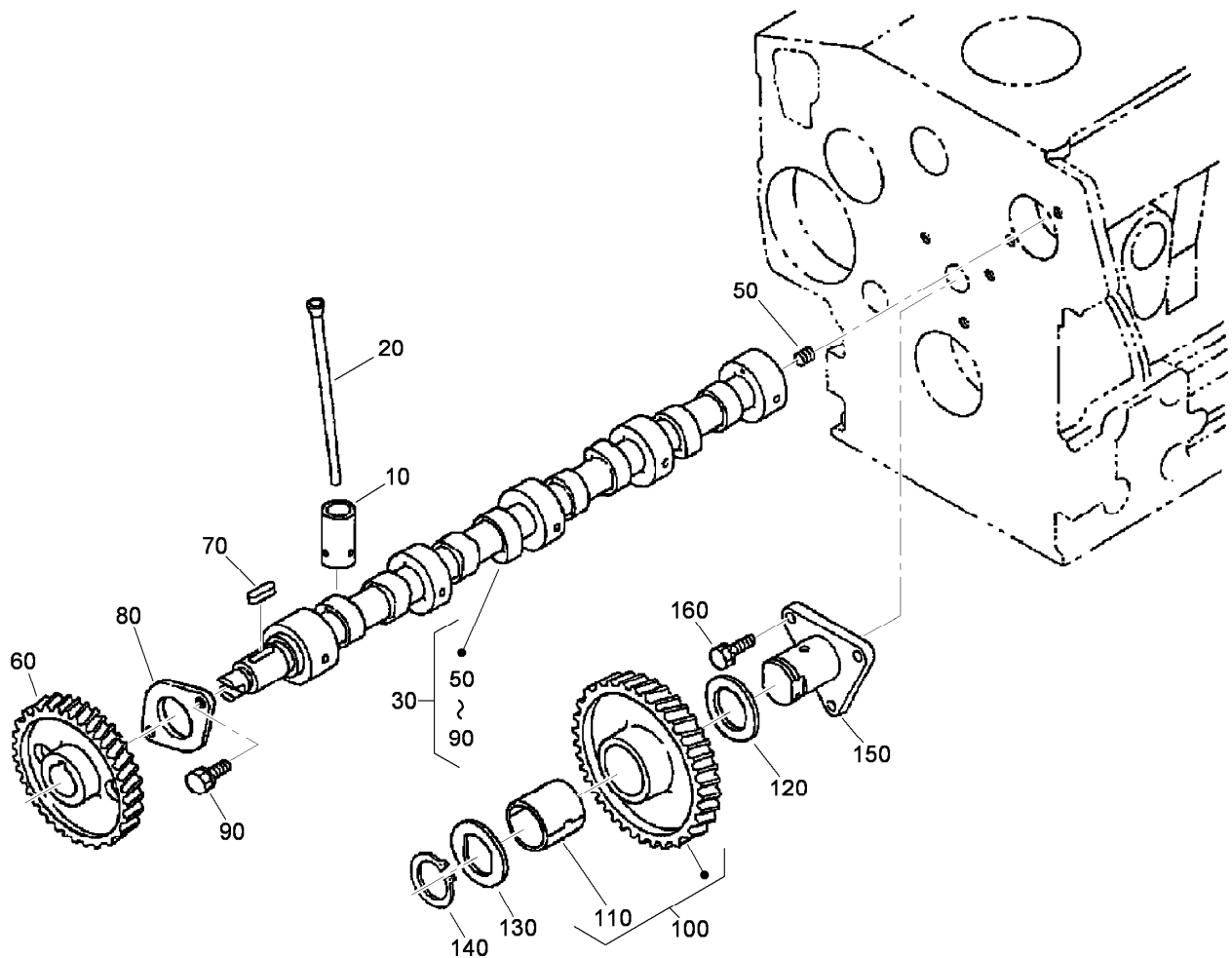
## Dipstick and Guide Assembly

<i>Ref.</i>	<i>Part Number</i>	<i>Qty.</i>	<i>Description</i>
10	105-3714	1	Gauge-Oil
20	110-3720	1	Plug-Gauge, Oil
30	105-4580	1	Guide-Gauge, Oil



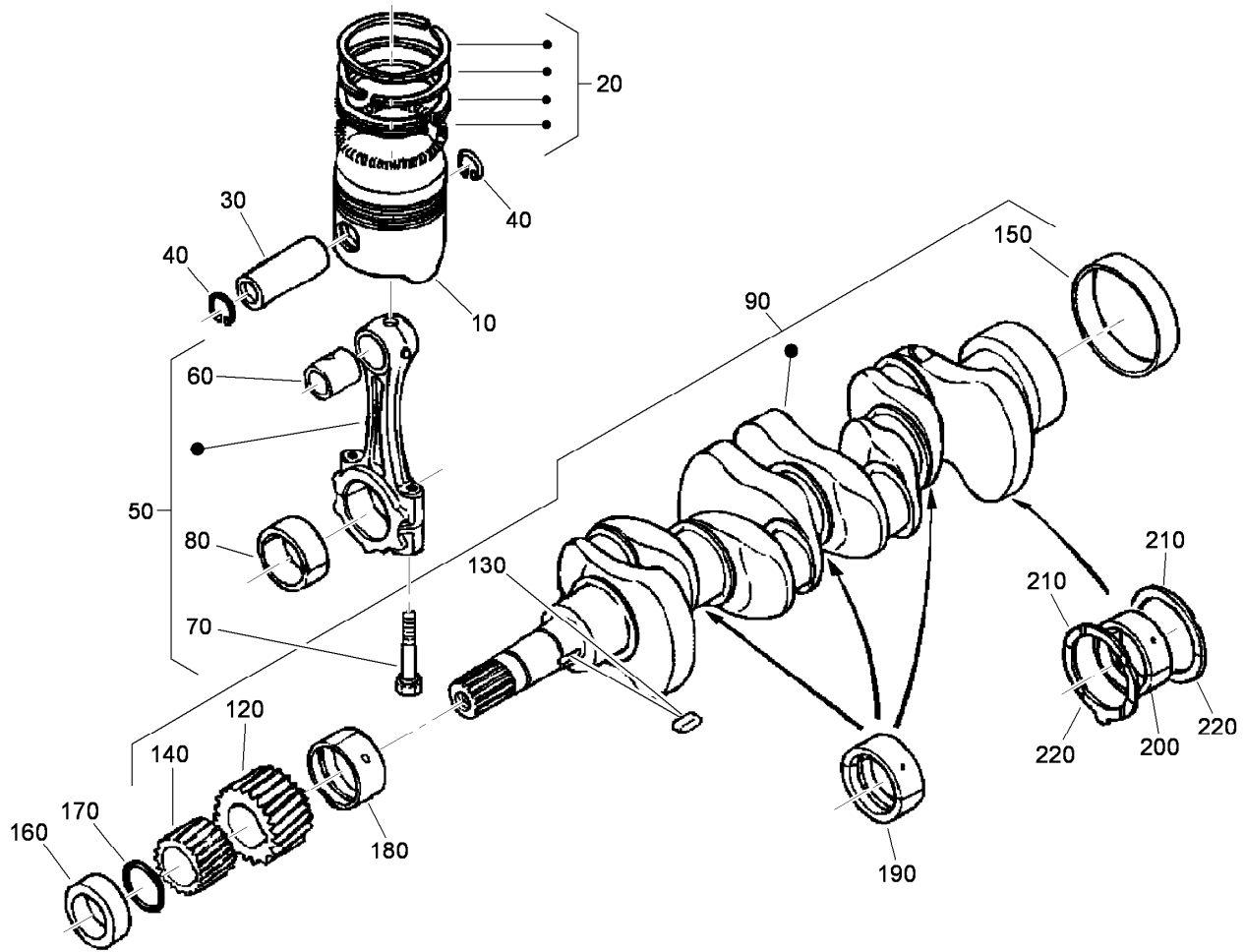
## Main Bearing Case Assembly

<i>Ref.</i>	<i>Part Number</i>	<i>Qty.</i>	<i>Description</i>
10	112-7026	1	Wheel Bearing Case ASM
15	112-7045	1	Metal-Crankshaft
20	98-9484	2	Bolt-Case, Bearing
30	98-9634	1	Gasket-Case, Bearing
40	112-7046	1	Cover-Case, Bearing
50	112-0180	1	Seal-Oil
60	112-7037	1	Gasket-Cover, Case
70	98-9352	8	Bolt
80	98-7568	9	Bolt
90	112-7028	1	Bearing ASM
95	112-7011	1	Bearing-Main (STD)
100	98-9484	2	Bolt-Case, Bearing
110	98-9485	3	Bolt-Case, Bearing
120	112-7027	1	Bearing ASM
125	112-7011	1	Bearing-Main (STD)
130	98-9484	2	Bolt-Case, Bearing
140	115-4120	1	Bearing Case ASM
145	112-7011	1	Bearing-Main (STD)
150	98-9484	2	Bolt-Case, Bearing



## Cam Shaft and Idle Gear Shaft Assembly

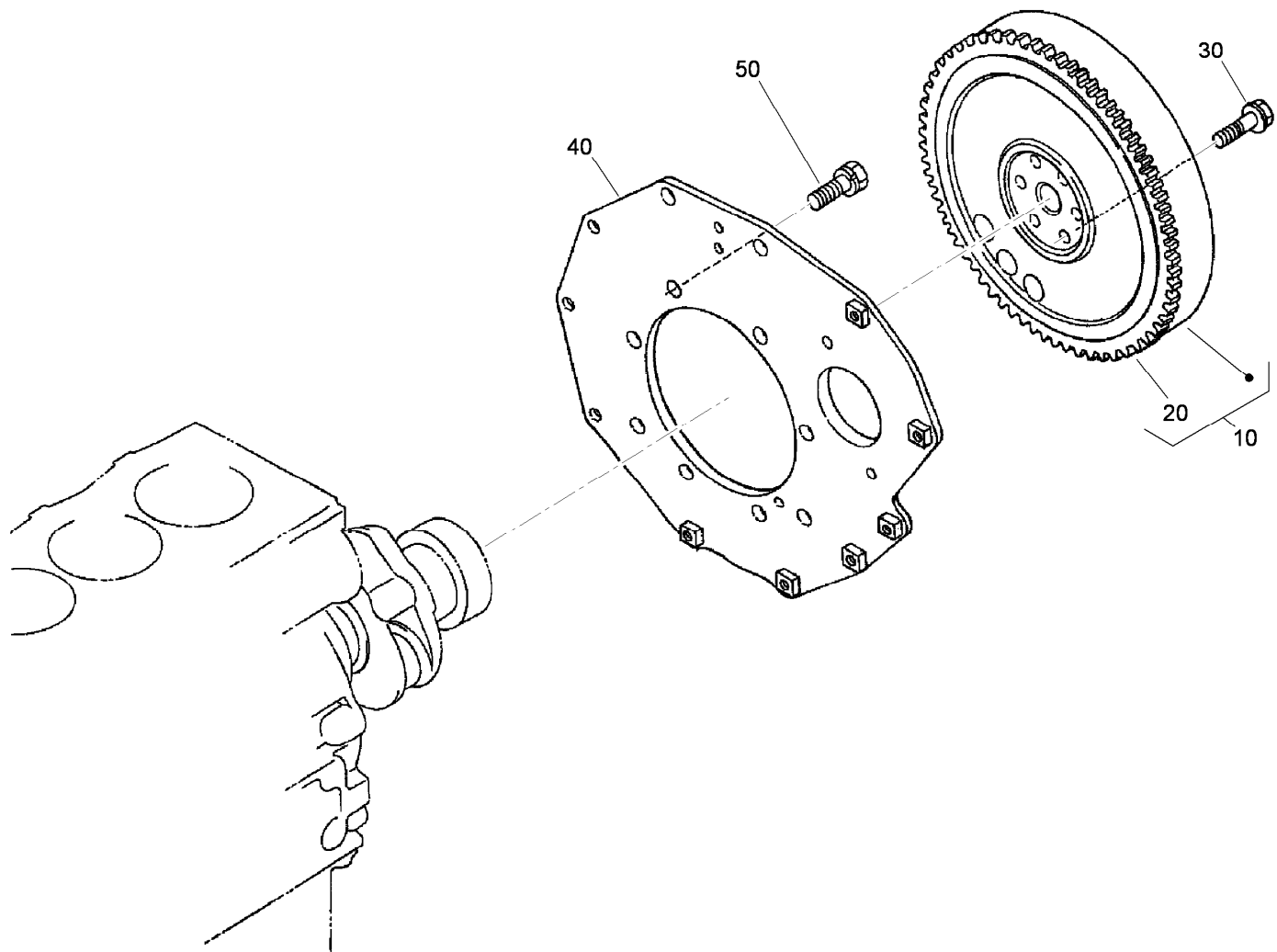
<i>Ref.</i>	<i>Part Number</i>	<i>Qty.</i>	<i>Description</i>
10	112-0185	8	Tappet
20	98-9509	8	Rod-Push
30	112-8402	1	Camshaft ASM
50	98-7449	1	Screw-Set
60	98-9512	1	Gear-Cam
70	98-9378	1	Key-Feather
80	98-9510	1	Stopper-Camshaft
90	98-7692	2	Bolt
100	98-9649	1	Idle Gear ASM
110	98-9650	1	Bushing-Gear, Idle
120	98-9535	1	Collar-Gear, Idle
130	98-9536	1	Collar-Gear, Idle
140	98-9534	1	Circlip-Gear, Idle
150	98-9533	1	Shaft-Gear, Idle
160	98-7692	3	Bolt



## Piston and Crankshaft Assembly

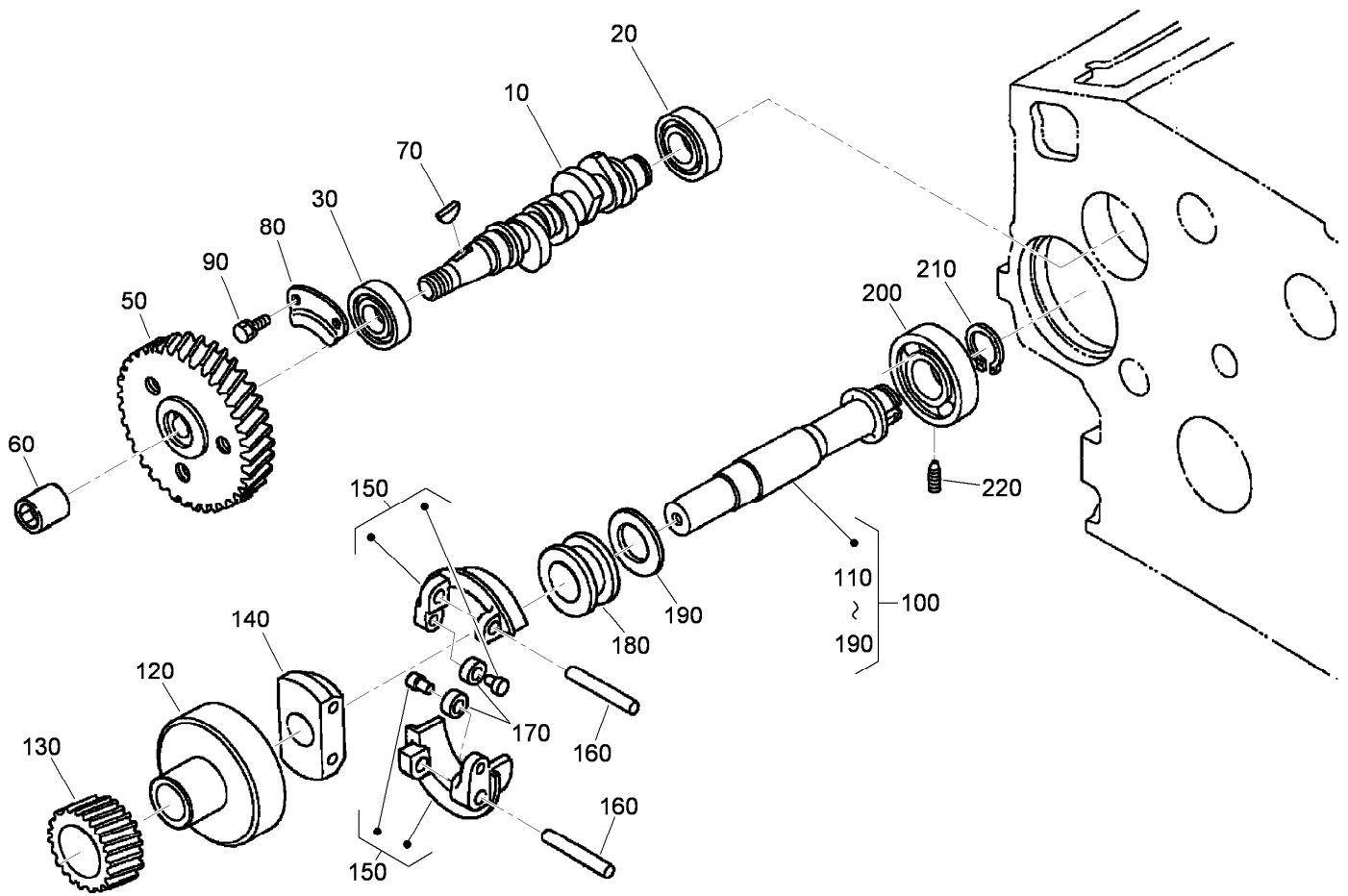
<i>Ref.</i>	<i>Part Number</i>	<i>Qty.</i>	<i>Description</i>
10	98-9550	4	Piston (STD)
10	108-1417	4	Piston (0.5Mm)
20	98-9551	4	Piston Ring ASM (STD)
20	108-1404	4	Piston Ring ASM (0.5Mm)
30	98-9513	4	Pin-Piston
40	98-9514	8	Circlip-Pin, Piston
50	98-9552	4	Connecting Rod ASM
60	115-3014	4	Bushing-Pin, Piston
70	98-9517	8	Bolt-Rod, Connecting
80	98-9553	4	Bearing-Rod (STD)
80	108-1405	4	Metal-Crankpin (-0.2Mm)
80	108-1406	4	Metal-Crankpin (-0.4Mm)
90	105-3718	1	Crankshaft ASM
120	98-9532	1	Gear-Crankshaft
130	98-9666	1	Key
140	98-9542	1	Gear-Drive, Oil Pump
150	98-9522	1	Sleeve-Crankshaft

<i>Ref.</i>	<i>Part Number</i>	<i>Qty.</i>	<i>Description</i>
160	98-9521	1	Collar-Crankshaft
170	105-3783	1	O-Ring
180	112-7005	1	Bearing-Main (STD)
180	112-7009	1	Metal-Crankpin (-0.2Mm)
180	112-7010	1	Metal-Crankpin (-0.4Mm)
190	112-7011	3	Bearing-Main (STD)
190	112-7012	3	Metal-Crankpin (-0.2Mm)
190	112-7013	3	Metal-Crankpin (-0.4Mm)
200	112-7006	1	Bearing-Main (STD)
200	112-7007	1	Metal-Crankshaft (.2Mm)
200	112-7040	1	Metal-Crankshaft (-0.4Mm)
210	98-9413	2	Bearing-Thrust (STD)
210	98-9414	2	Bearing-Thrust (0.2Mm)
210	98-9415	2	Bearing-Thrust (0.4Mm)
220	98-9688	2	Bearing-Thrust (STD)
220	98-9689	2	Bearing-Thrust (0.2Mm)
220	98-9690	2	Bearing-Thrust (0.4Mm)



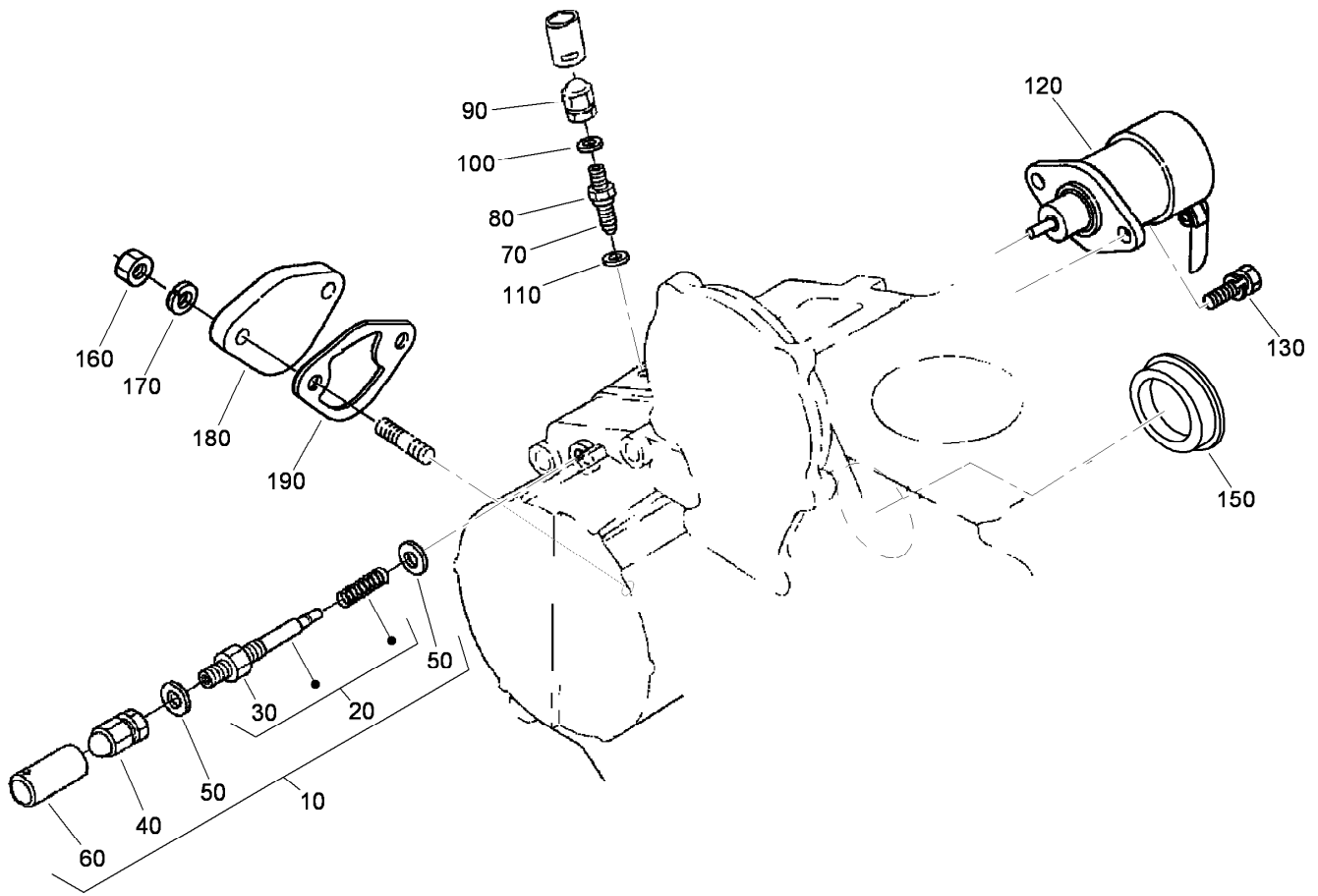
## Flywheel Assembly

<i>Ref.</i>	<i>Part Number</i>	<i>Qty.</i>	<i>Description</i>
10	105-3721	1	Flywheel ASM
20	115-3015	1	Gear-Ring
30	98-9537	6	Bolt-Flywheel
40	98-9486	1	Plate-End, Rear
50	98-9392	8	Bolt



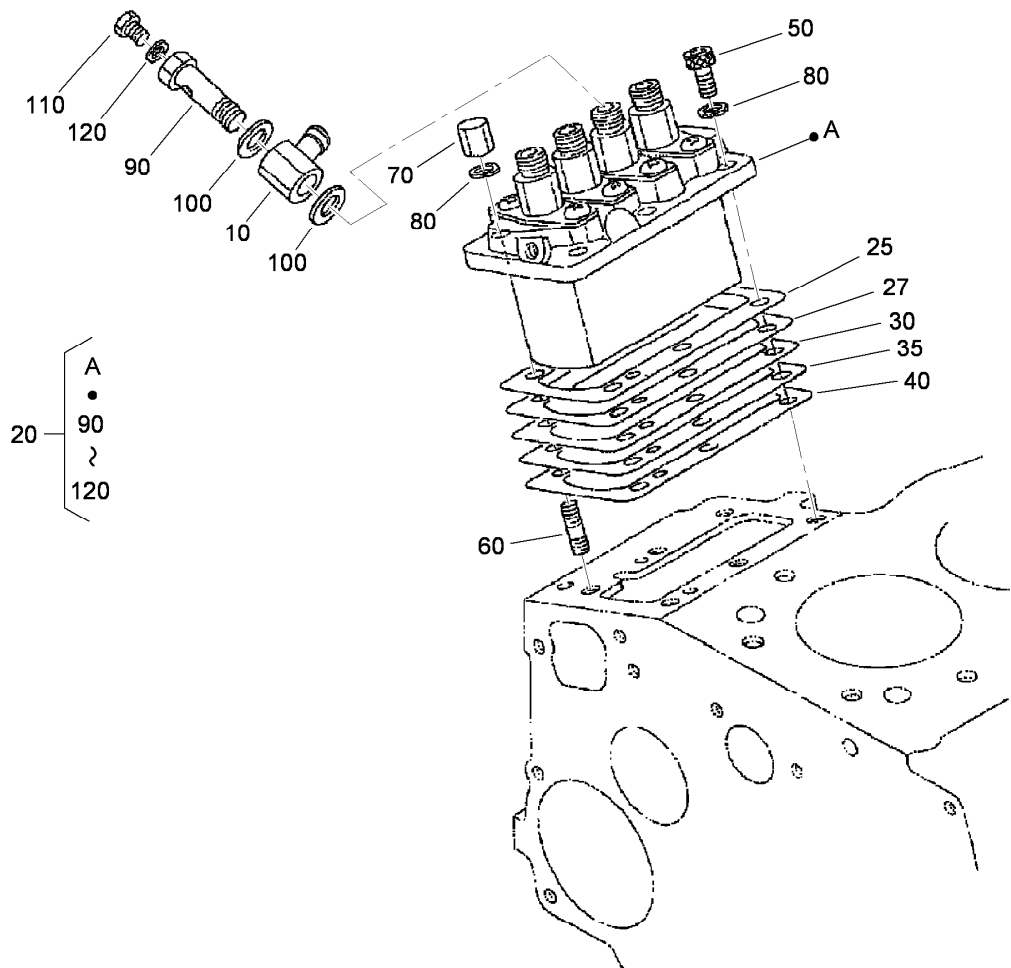
## Fuel Camshaft and Governor Shaft Assembly

<i>Ref.</i>	<i>Part Number</i>	<i>Qty.</i>	<i>Description</i>
10	105-3723	1	Camshaft-Fuel
20	107-9077	1	Bearing-Ball
30	107-9078	1	Bearing-Ball
50	98-9669	1	Gear-Pump, Injection
60	98-9590	1	Nut-Cap
70	98-9595	1	Key-Woodruff
80	98-9511	1	Stopper-Fuel, Camshaft
90	98-7692	2	Bolt
100	105-3724	1	Governor Shaft ASM
110	105-3725	1	Shaft, Governor
120	98-9562	1	Holder-Gear, Governor
130	98-9673	1	Gear-Governor
140	98-9561	1	Holder-Weight, Governor
150	98-9559	2	Governor Weight ASM
160	98-9560	2	Shaft-Weight, Governor
170	98-9692	2	Roller
180	98-9563	1	Sleeve-Governor
190	98-9564	1	Washer-Thrust
200	107-9079	1	Bearing-Ball
210	98-9657	1	Circlip-Shaft, Governor
220	98-9565	1	Screw-Set



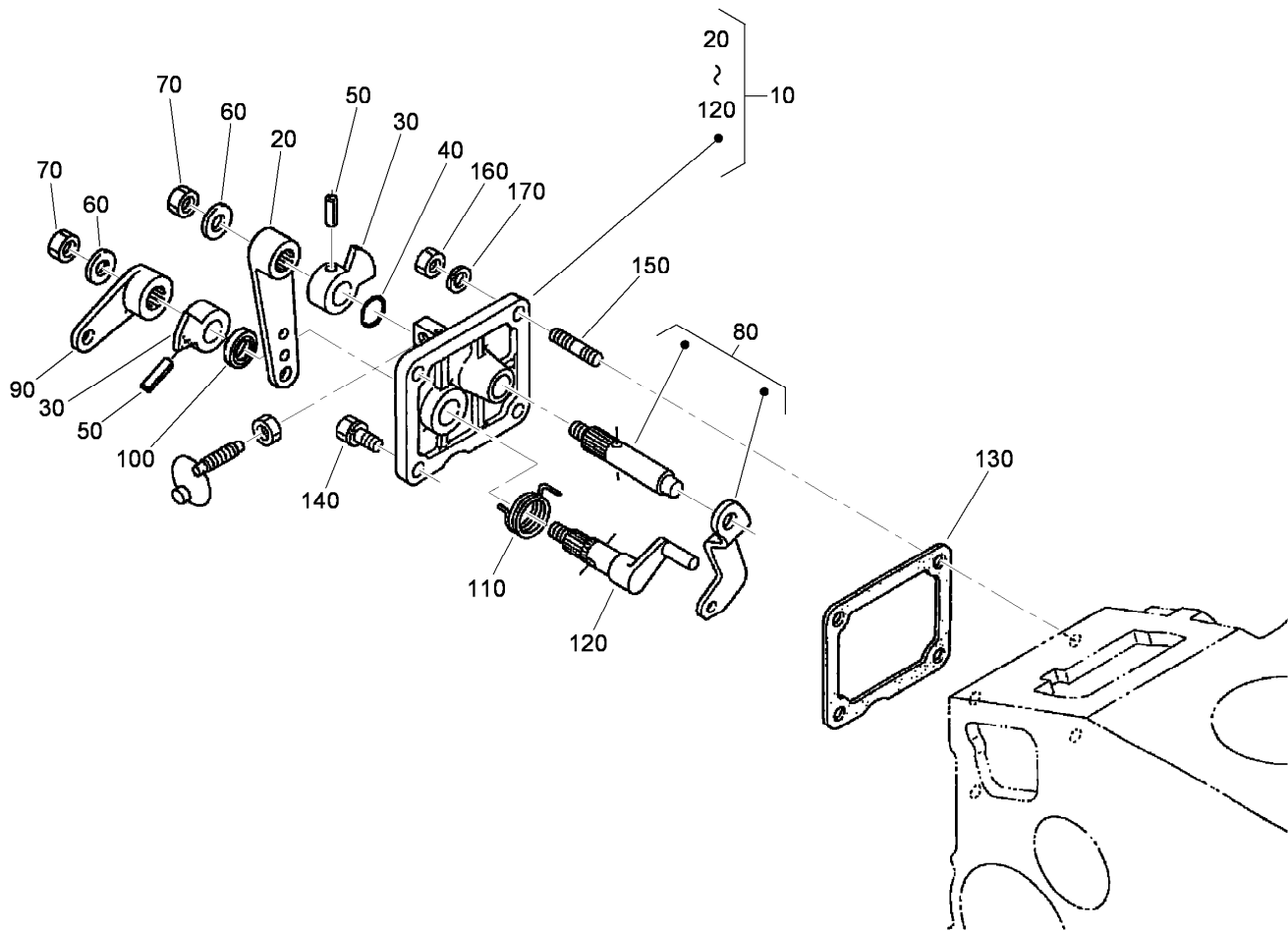
## Idle Apparatus Assembly

Ref.	Part Number	Qty.	Description
10	98-9678	1	Idle Apparatus ASM
20	112-7014	1	Adjusting Bolt ASM
30	98-9439	1	Nut
40	112-0181	1	Nut
50	98-7654	2	Gasket
60	98-7656	1	Cap
70	112-7015	1	Bolt-Adjusting
80	100-2175	1	Nut-Lock
90	112-0181	1	Nut
100	98-7654	1	Gasket
110	107-9081	1	Gasket
120	104-5155	1	Solenoid-Stop
130	115-3039	2	Bolt-HSH
150	112-7016	1	Cover-Pump
160	98-7572	2	Nut
170	98-7699	2	Washer-Spring
180	99-3514	1	Cover
190	98-9636	1	Gasket-Pump, Fuel



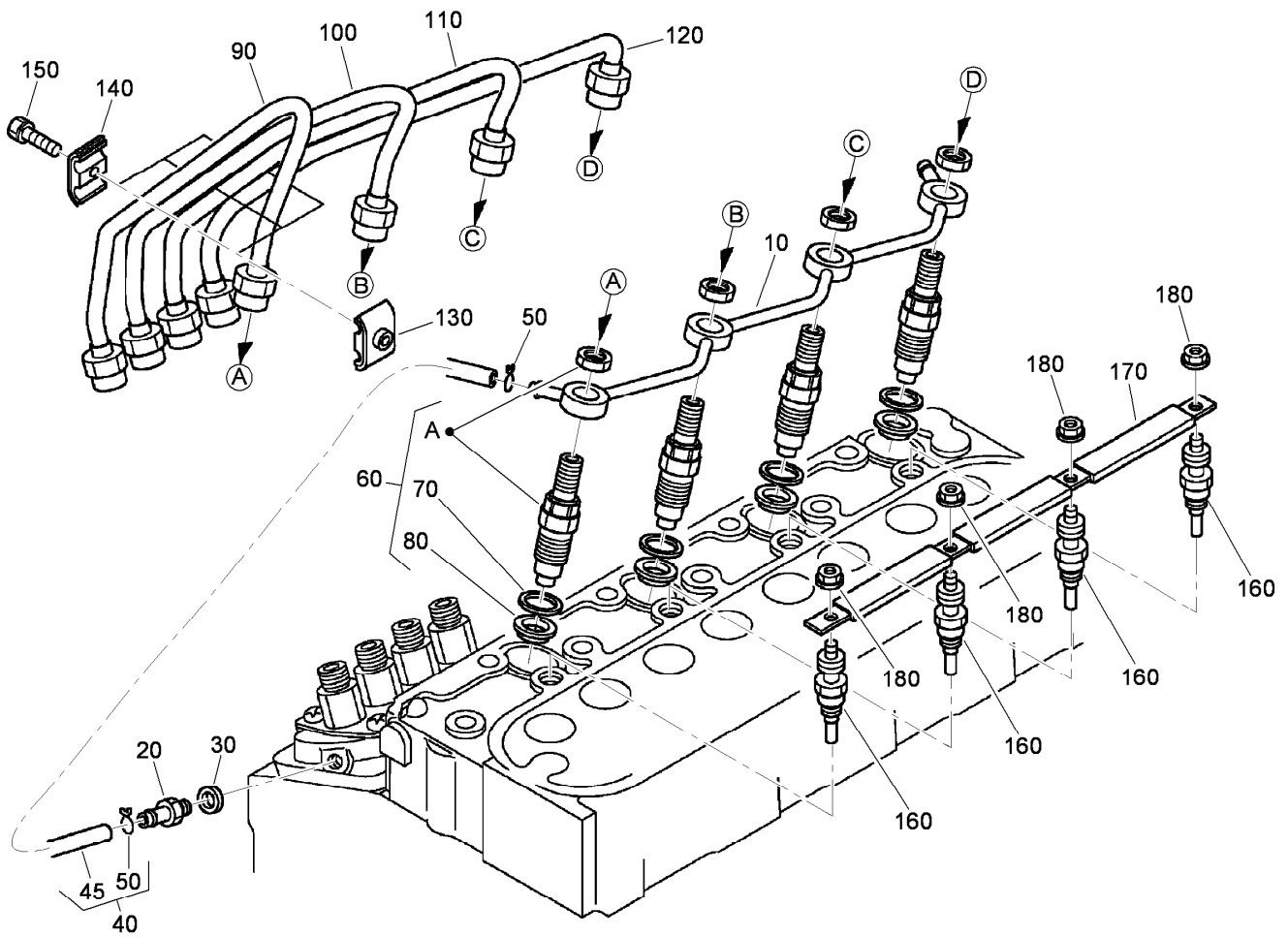
## Injection Pump Assembly

<i>Ref.</i>	<i>Part Number</i>	<i>Qty.</i>	<i>Description</i>
10	98-9596	1	Joint-Eye
20	105-3727	1	Injection Pump ASM
25	115-3016	1	Shim-Pump, Injection (.350Mm)
27	115-3017	1	Shim-Pump, Injection (.175Mm)
30	105-3728	1	Shim-Pump, Injection (.20Mm)
35	105-3729	1	Shim-Pump, Injection (.25Mm)
40	105-3730	1	Shim-Pump, Injection (.30Mm)
50	98-9361	3	Bolt-HSH
60	98-9438	3	Stud
70	98-9440	3	Nut-Cap
80	98-7699	6	Washer-Spring
90	98-9464	1	Bolt-Joint
100	98-9445	2	Gasket
110	98-9430	1	Screw
120	98-9446	1	Gasket



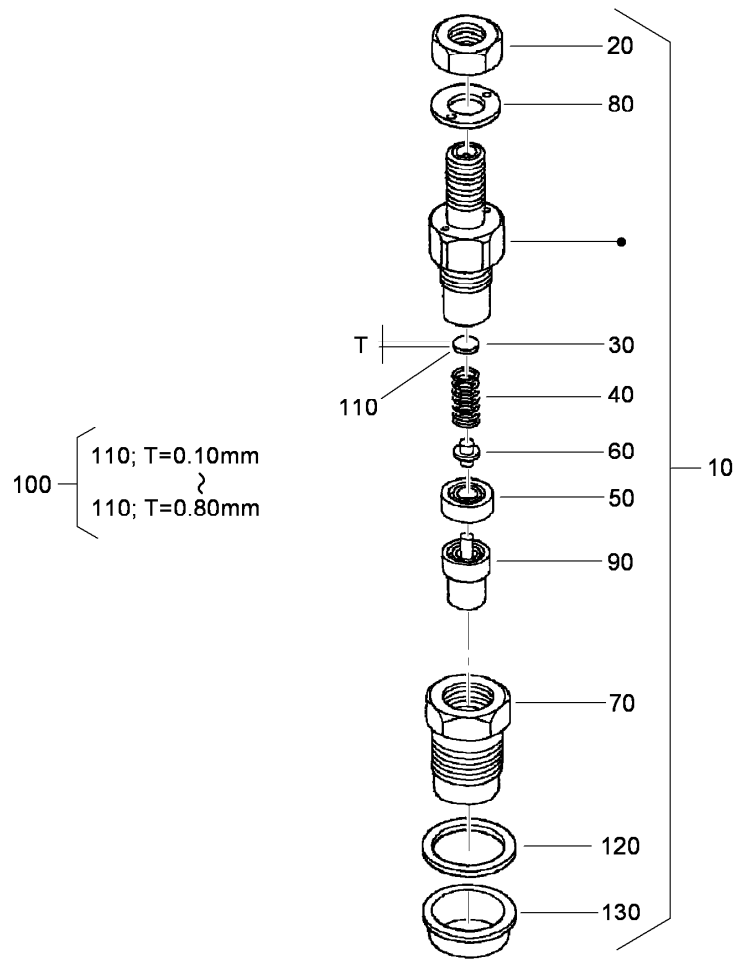
## Speed Control Plate Assembly

Ref.	Part Number	Qty.	Description
10	105-3735	1	Control Plate ASM
20	98-9662	1	Lever-Control, Speed
30	98-9572	2	Lever-Control, Speed
40	105-3788	1	O-Ring
50	98-7602	2	Pin-Spring
60	98-9594	2	Washer-Plain
70	98-9589	2	Nut
80	98-9658	1	Governor Lever ASM
90	98-9663	1	Lever-Stop, Engine
100	98-7601	1	Seal-Oil
110	98-9472	1	Spring-Return
120	98-9664	1	Shaft-Lever, Stop
130	98-9637	1	Gasket
140	98-7692	2	Bolt
150	105-3710	2	Stud
160	98-7572	2	Nut
170	98-7699	2	Washer-Spring



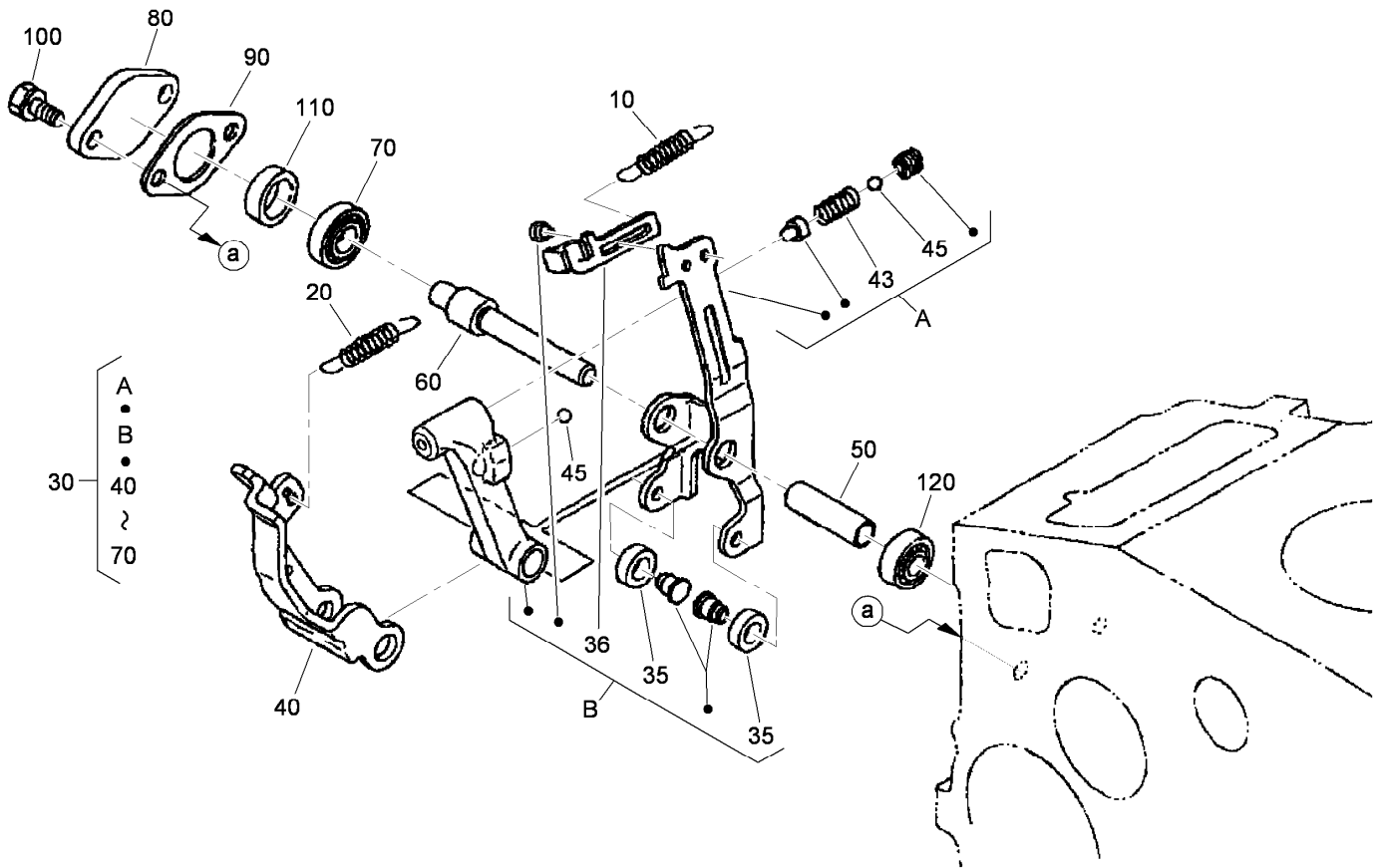
## Nozzle Holder and Glow Plug Assembly

Ref.	Part Number	Qty.	Description
10	105-3737	1	Over Flow Pipe ASM
20	98-9431	1	Screw-Bleeder, Air
30	98-7654	1	Gasket
40	98-9420	1	Overflow Pipe ASM
45	112-0182	1	Pipe-Overflow
50	98-7671	2	Clip-Pipe
60	108-2866	4	Nozzle Holder Kit
70	98-7676	4	Gasket
80	98-7677	4	Seal-Heat
90	98-9622	1	Pipe-Injection
100	98-9654	1	Pipe-Injection
110	98-9655	1	Pipe-Injection
120	105-3738	1	Pipe-Injection
130	98-7682	3	Clamp-Pipe
140	98-7683	3	Clamp-Pipe
150	98-7684	3	Screw (W/Washer)
160	98-9623	4	Plug-Glow
170	105-3739	1	Cord-Plug, Glow
180	99-8377	4	Nut-Flange



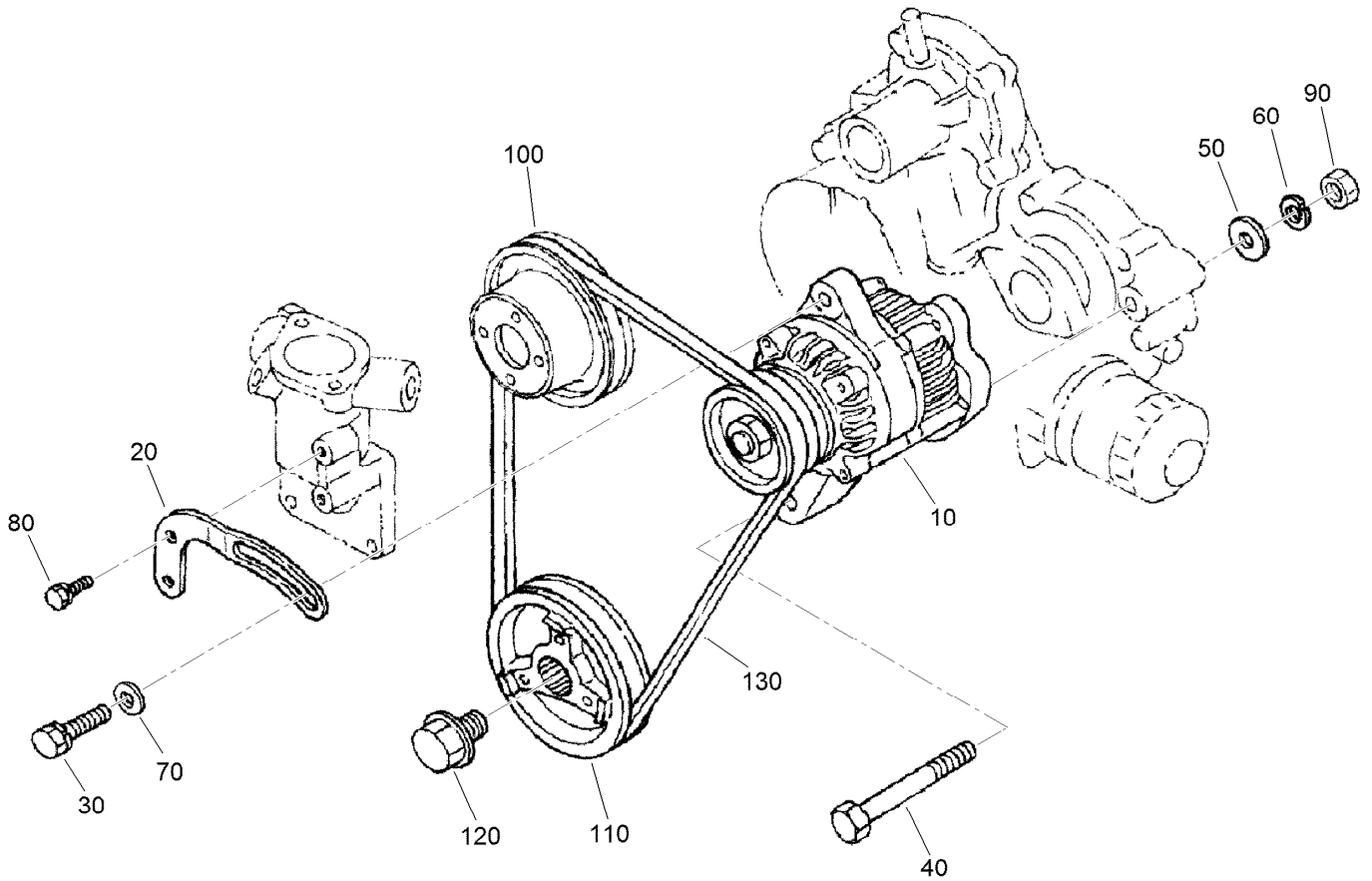
## Nozzle Holder Component Assembly

Ref.	Part Number	Qty.	Description
10	108-2866	4	Nozzle Holder Kit
20	99-8301	4	Nut
30	99-8302	4	Washer-Adjusting
40	99-8303	4	Spring-Nozzle
50	99-8304	4	Spacer-Distance
60	99-8305	4	Rod-Push
70	99-8306	4	Nut-Nozzle
80	99-8307	4	Washer-Plain
90	107-7826	4	Piece-Nozzle
100	99-8309	4	Adjusting Washer ASM
110	99-8310	4	Washer-Adjust (0.10Mm)
110	99-8311	4	Washer-Adjust (0.20Mm)
110	99-8312	4	Washer-Adjust (0.30Mm)
110	99-8313	4	Washer-Adjust (0.40Mm)
110	99-8314	4	Washer-Adjust (0.50Mm)
110	99-8315	4	Washer-Adjust (0.52Mm)
110	99-8316	4	Washer-Adjust (0.54Mm)
110	99-8317	4	Washer-Adjust (0.56Mm)
110	99-8318	4	Washer-Adjust (0.58Mm)
110	99-8319	4	Washer-Adjust (0.80Mm)
120	98-7676	4	Gasket
130	98-7677	4	Seal-Heat



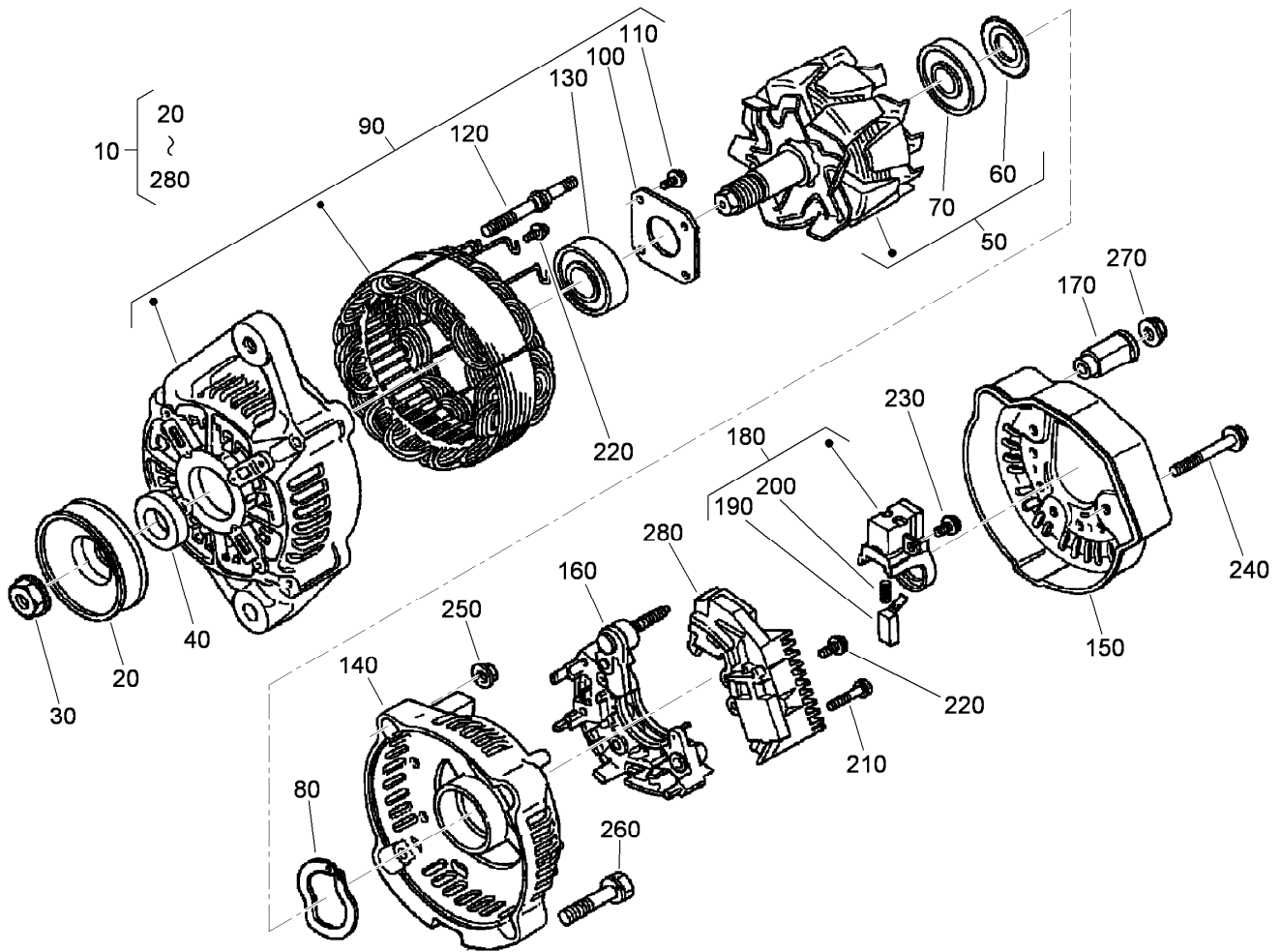
## Governor Assembly

<i>Ref.</i>	<i>Part Number</i>	<i>Qty.</i>	<i>Description</i>
10	105-3741	1	Spring-Start
20	98-9681	1	Spring-Governor
30	108-4427	1	Fork Lever ASM
35	98-9692	2	Roller
36	107-9083	1	Lever-Thrust
40	107-9084	1	Lever-Fork
43	108-2867	1	Spring
45	98-7580	2	Ball
50	107-9085	1	Shaft-Lever, Fork
60	107-9086	1	Shaft-Lever, Fork
70	98-9570	1	Bearing-Miniaturize
80	115-4122	1	Cover-Shaft, Fork Lever
90	98-9682	1	Gasket
100	98-9350	2	Bolt
110	98-9567	1	Collar
120	98-9571	1	Bearing-Miniaturize



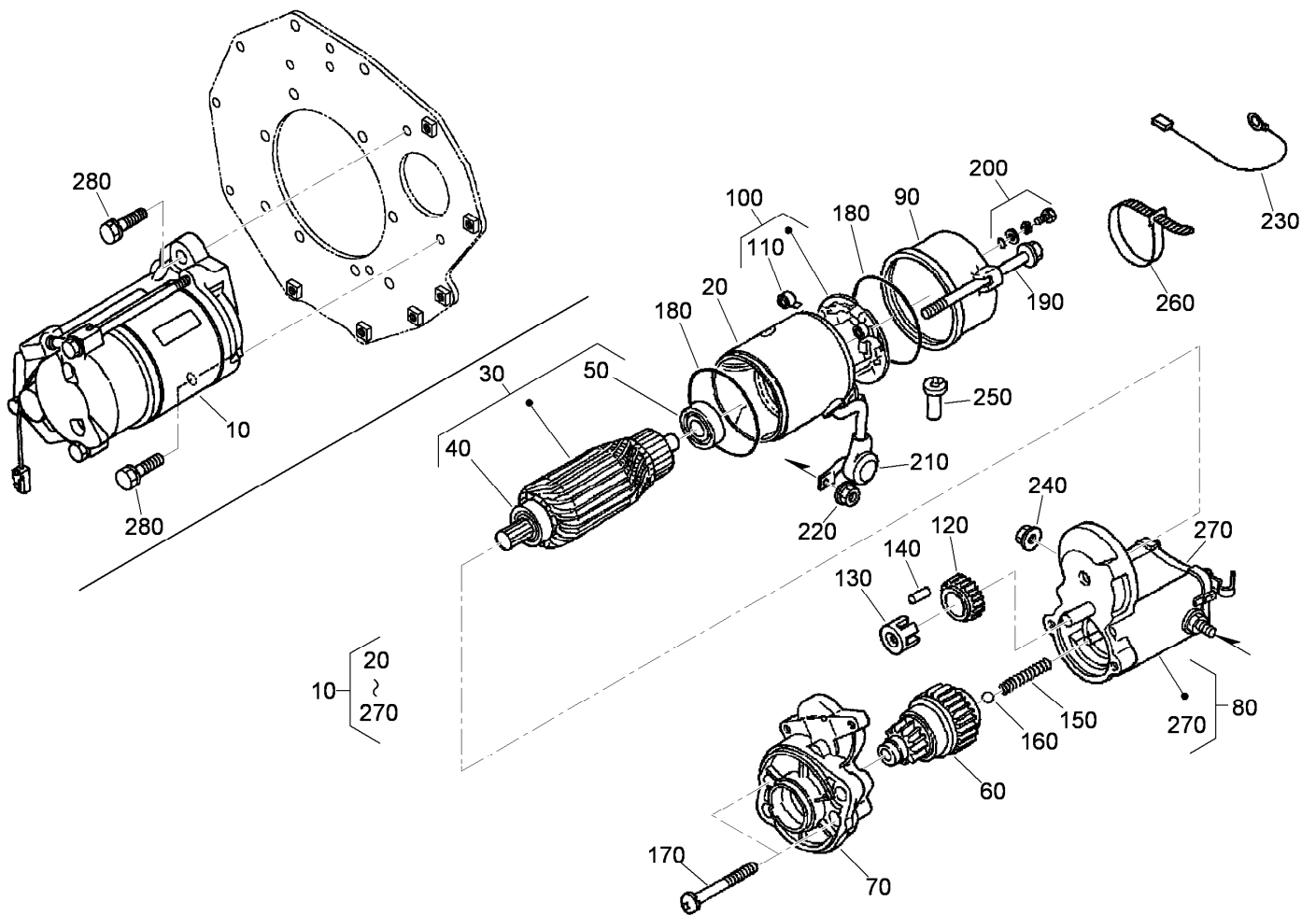
## Alternator and Pulley Assembly

<i>Ref.</i>	<i>Part Number</i>	<i>Qty.</i>	<i>Description</i>
10	98-9474	1	Alternator ASM
20	112-7047	1	Stay-Dynamo
30	108-7088	1	Bolt
40	98-9360	1	Bolt
50	98-7696	1	Washer-Plain
60	98-7738	1	Washer-Spring
70	100-9233	1	Washer-Plain
80	98-7692	1	Bolt
90	98-7737	1	Nut
100	110-0972	1	Pulley
110	105-3745	1	Pulley-Drive, Fan
120	98-9585	1	Bolt
130	98-9676	1	V-Belt



## Alternator Components Assembly

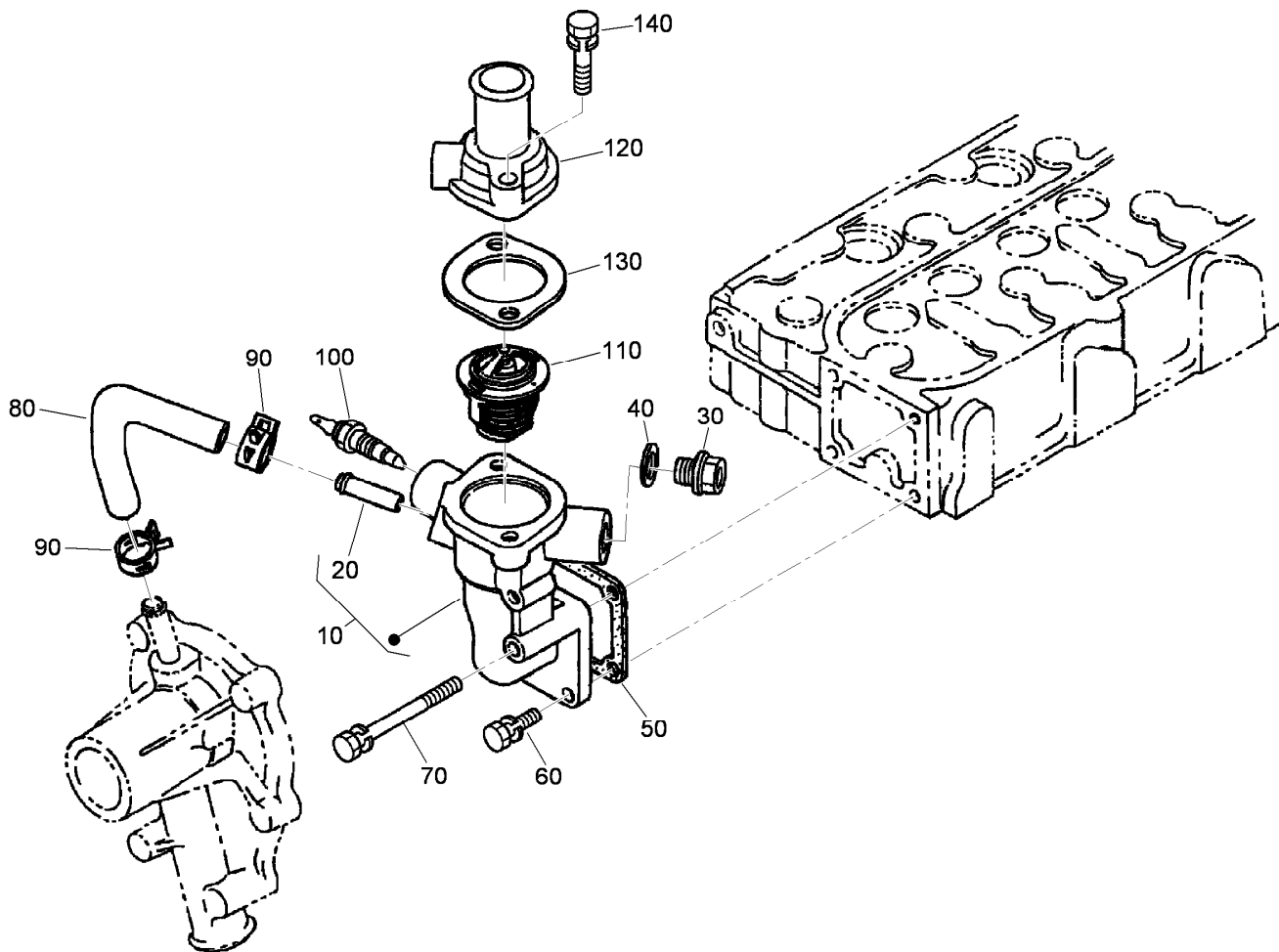
<i>Ref.</i>	<i>Part Number</i>	<i>Qty.</i>	<i>Description</i>	<i>Ref.</i>	<i>Part Number</i>	<i>Qty.</i>	<i>Description</i>
10	98-9474	1	Alternator ASM	150	107-0140	1	Cover-End
20	98-9453	1	Pulley-Dynamo	160	98-7721	1	Rectifier ASM
30	98-7708	1	Nut	170	98-7722	1	Bushing-Insulation
40	98-7709	1	Collar	180	107-0141	1	Brush Holder ASM
50	107-0136	1	Rotor ASM	190	98-7724	2	Brush
60	98-7711	1	Cover-Bearing	200	98-7725	2	Spring-Brush
70	107-0138	1	Bearing-Ball	210	98-7726	2	Screw-Head, Round
80	98-7713	1	Washer-Thrust	220	98-7727	6	Screw-Head, Round
90	107-0139	1	Drive End Frame ASM	230	98-7728	1	Screw-Head, Round
100	98-7715	1	Plate-Retainer	240	98-7729	3	Bolt
110	98-7716	4	Screw-Head, Round	250	98-7730	2	Nut
120	98-7717	2	Bolt-Through	260	98-7731	2	Bolt
130	107-0137	1	Bearing-Ball	270	98-7732	1	Nut
140	107-9087	1	Frame-End	280	110-3799	1	Regulator ASM



## Starter Assembly

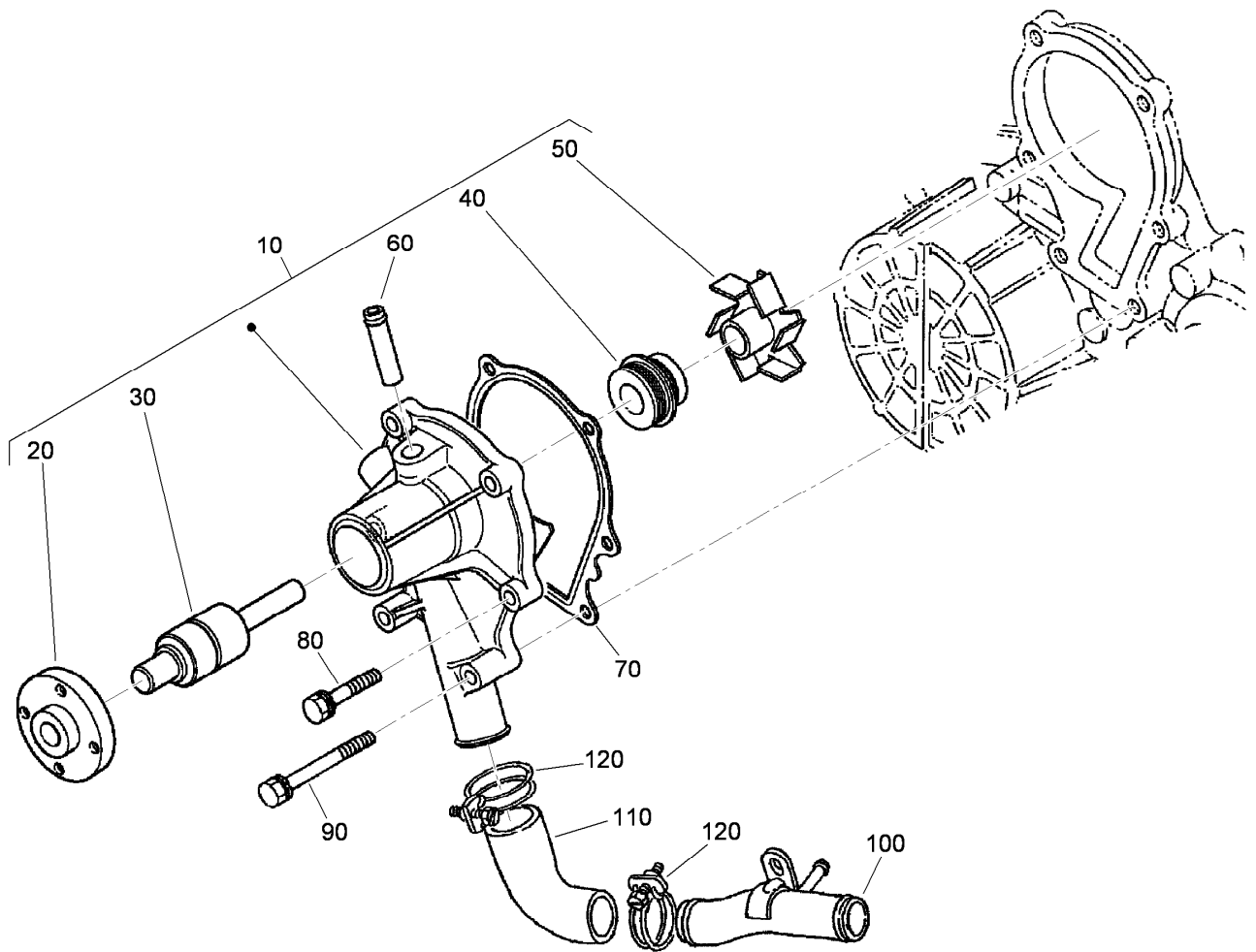
Ref.	Part Number	Qty.	Description
10	98-9705	1	Starter ASM
20	104-8608	1	Yoke ASM
30	98-7742	1	Armature ASM
40	98-7744	1	Bearing
50	98-7743	1	Bearing
60	99-8373	1	Clutch-Running, Over
70	99-8374	1	Frame-End, Drive
80	105-3746	1	Magnetic Switch ASM
90	98-7748	1	Frame-End
100	98-7749	1	Brush Holder ASM
110	98-7750	4	Spring-Brush
120	98-7751	1	Gear
130	98-7752	1	Retainer
140	98-7753	5	Roller

Ref.	Part Number	Qty.	Description
150	98-7754	1	Spring
160	98-7755	1	Ball
170	98-7756	2	Bolt
180	98-7757	2	O-Ring
190	100-9240	2	Bolt
200	98-7758	2	Bolt ASM
210	99-8375	1	Cover
220	99-8371	1	Nut-Hex
230	98-9711	1	Cord-Solenoid, Stop
240	99-8376	1	Nut-Hex
250	98-7759	1	Pipe-Drain
260	98-9712	1	Band-Cover
270	105-2886	1	Cover ASM
280	98-7697	2	Bolt



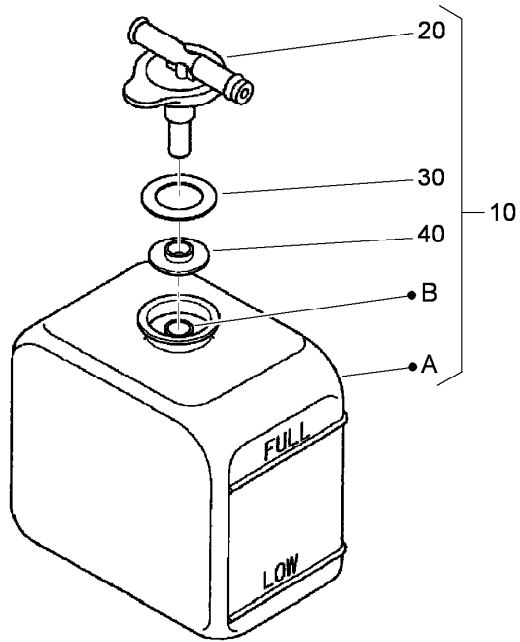
## Water Flange and Thermostat Assembly

<i>Ref.</i>	<i>Part Number</i>	<i>Qty.</i>	<i>Description</i>
10	98-9713	1	Water Flange ASM
20	98-9580	1	Pipe-Return, Water
30	105-3747	1	Plug
40	99-3583	1	Gasket
50	98-9638	1	Gasket-Flange, Water
60	98-7692	3	Bolt
70	98-9356	1	Bolt
80	98-9578	1	Pipe-Return, Water
90	98-9579	2	Band-Pipe
100	112-0183	1	Switch-Thermometer
110	98-7778	1	Thermostat ASM
120	98-9471	1	Cover-Thermostat
130	105-3748	1	Gasket-Thermostat
140	98-7777	2	Bolt



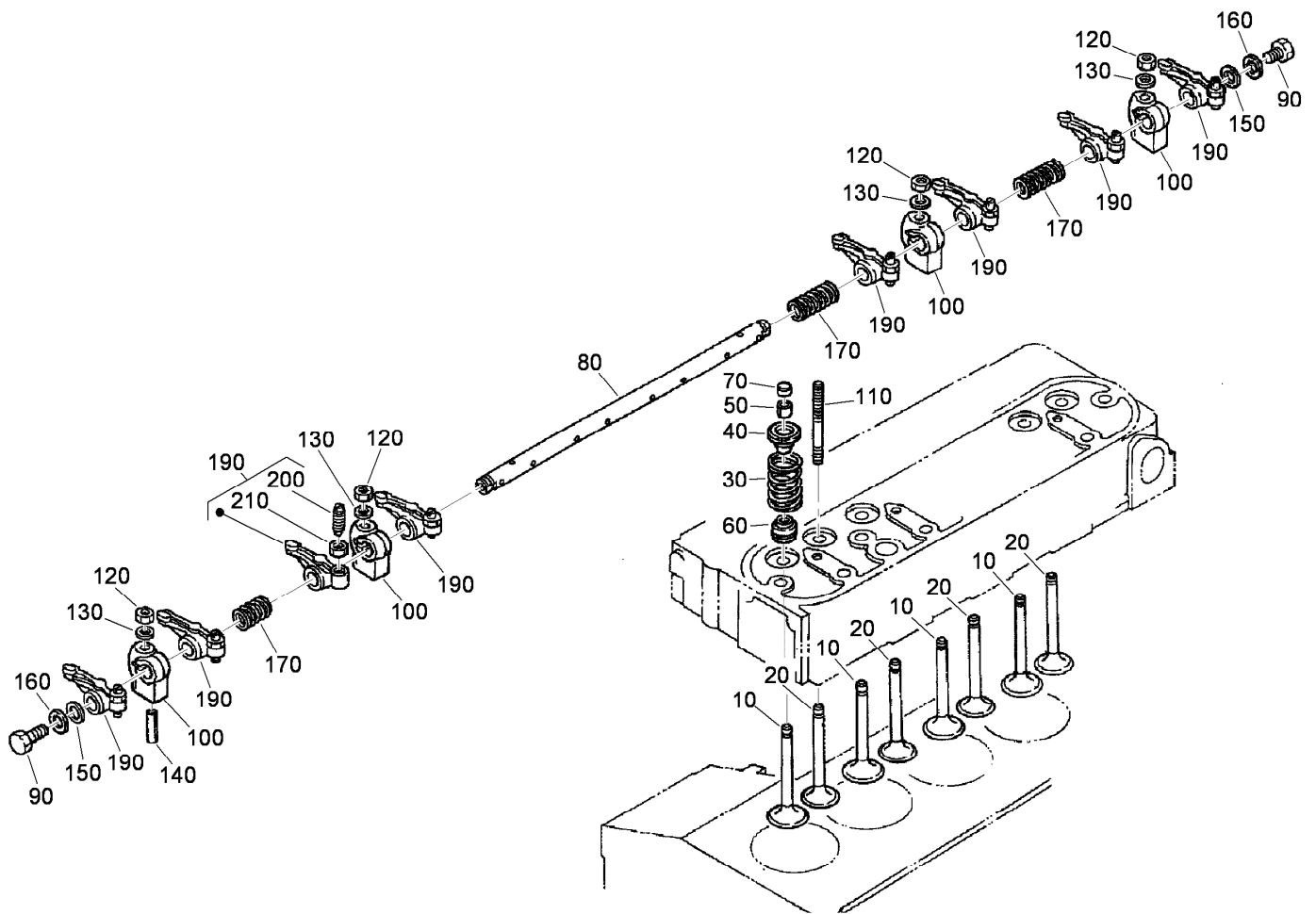
## Water Pump Assembly

<i>Ref.</i>	<i>Part Number</i>	<i>Qty.</i>	<i>Description</i>
10	107-9089	1	Water Pump ASM
20	99-3516	1	Flange-Pump, Water
30	99-3517	1	Bearing-Pump, Water
40	105-3750	1	Mechanical Seal ASM
50	112-7017	1	Impeller-Pump, Water
60	100-1932	1	Pipe-Return, Water
70	99-3454	1	Gasket-Pump, Water
80	98-9353	4	Bolt
90	107-9090	2	Bolt
100	99-8379	1	Pipe-Water
110	107-9091	1	Pipe-Water
120	98-9717	2	Clamp



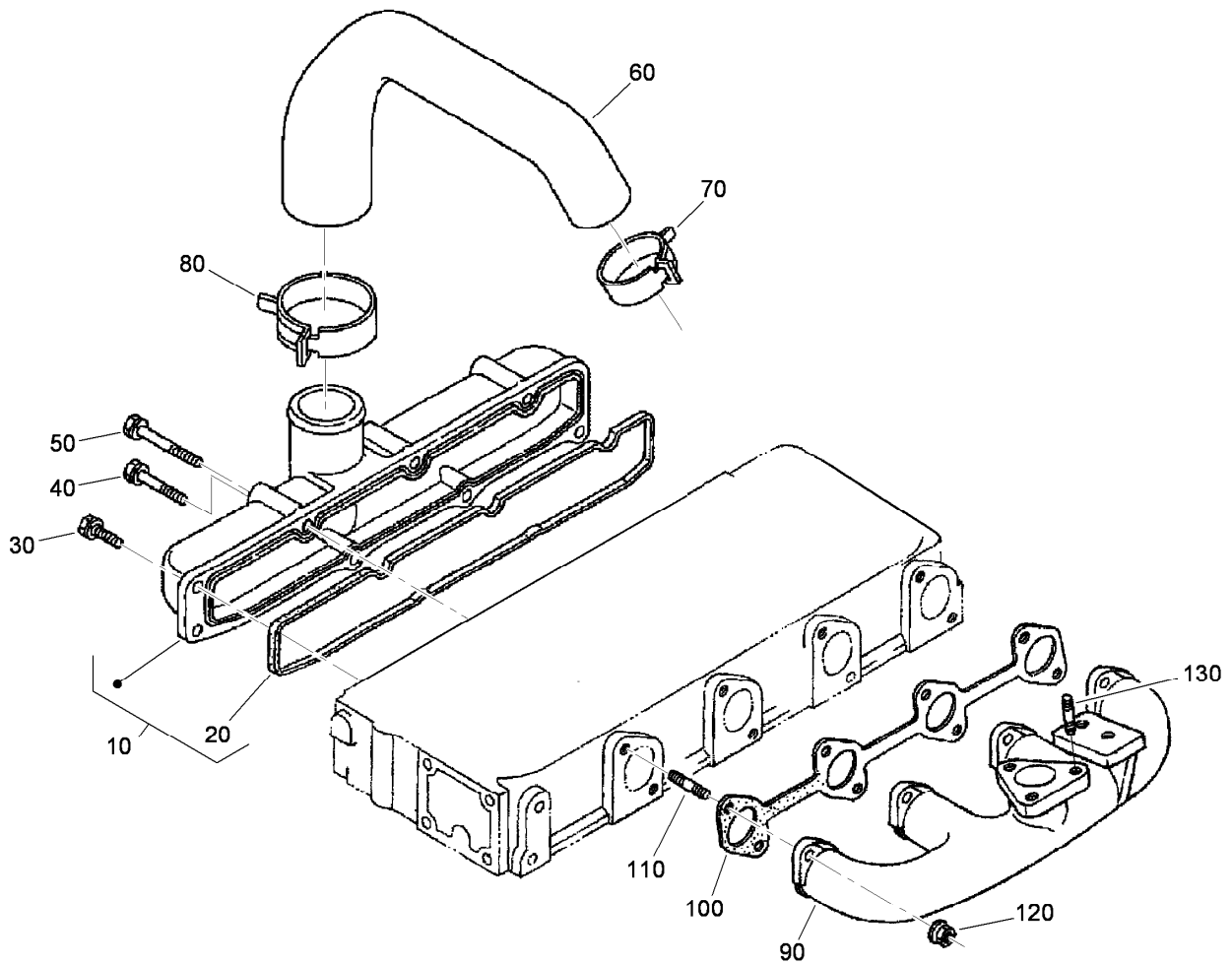
## Overflow Bottle Assembly

<i>Ref.</i>	<i>Part Number</i>	<i>Qty.</i>	<i>Description</i>
10	104-9318	1	Overflow Bottle ASM
20	115-4132	1	Cap
30	105-3755	1	Gasket
40	105-3756	1	Plate



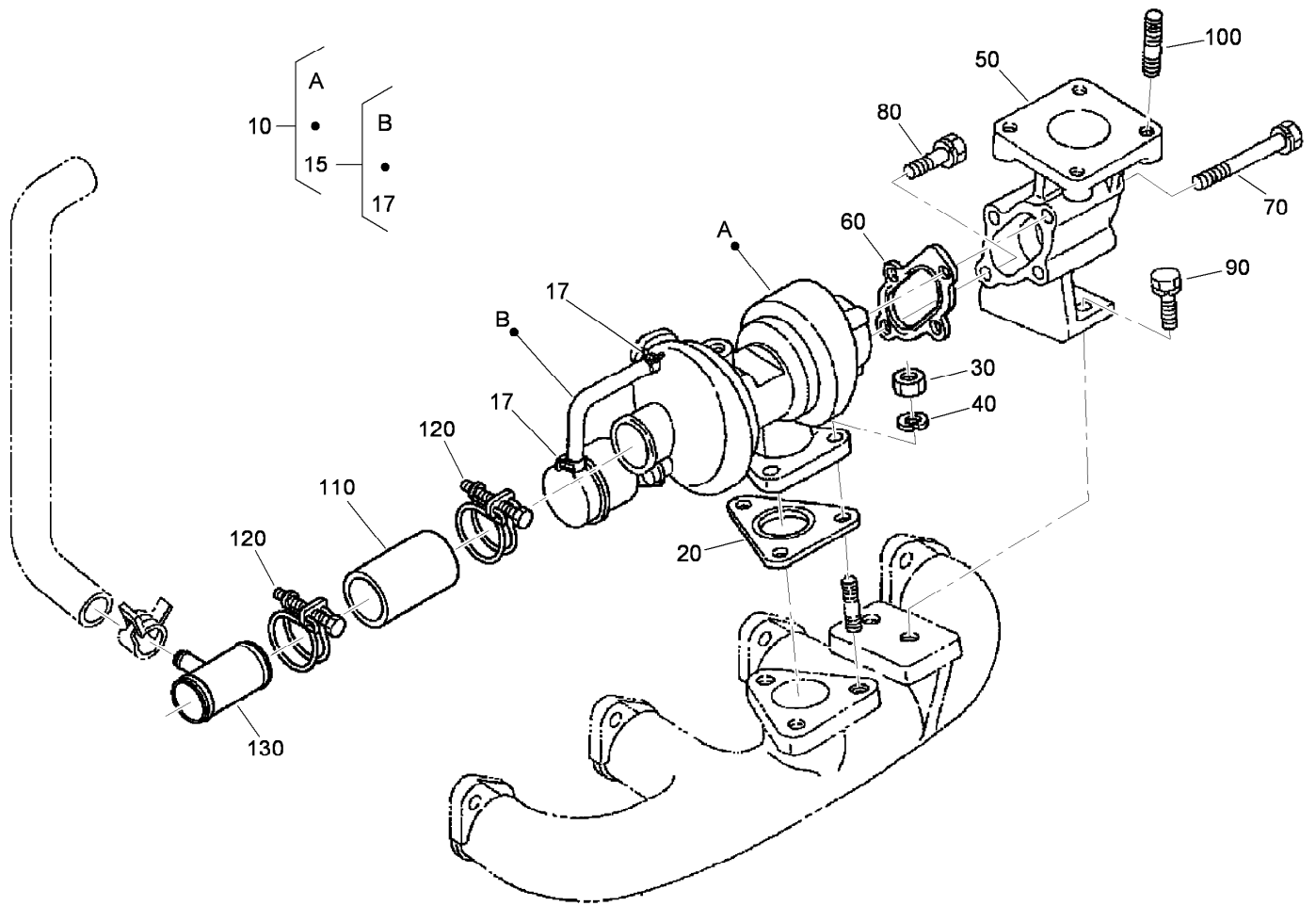
## Valve and Rocker Arm Assembly

<i>Ref.</i>	<i>Part Number</i>	<i>Qty.</i>	<i>Description</i>
10	112-7018	4	Valve-Inlet
20	112-7019	4	Valve-Exhaust
30	98-9626	8	Spring-Valve
40	107-9092	8	Retainer-Spring
50	98-9390	8	Collet-Spring, Valve
60	99-8385	8	Seal-Stem, Valve
70	98-9497	8	Cap-Valve
80	105-3757	1	Shaft-Arm, Rocker
90	100-9265	2	Bolt
100	98-9505	4	Bracket-Arm, Rocker
110	98-9506	4	Stud
120	98-9393	4	Nut
130	98-9385	4	Washer-Flat
140	105-3758	2	Pin-Spring
150	98-9507	2	Washer-Shaft, R-Arm
160	110-3832	2	Washer-Plain
170	98-9504	3	Spring-Arm, Rocker
190	112-7020	8	Rocker Arm ASM
200	98-9502	8	Screw-Adjusting
210	98-9503	8	Nut



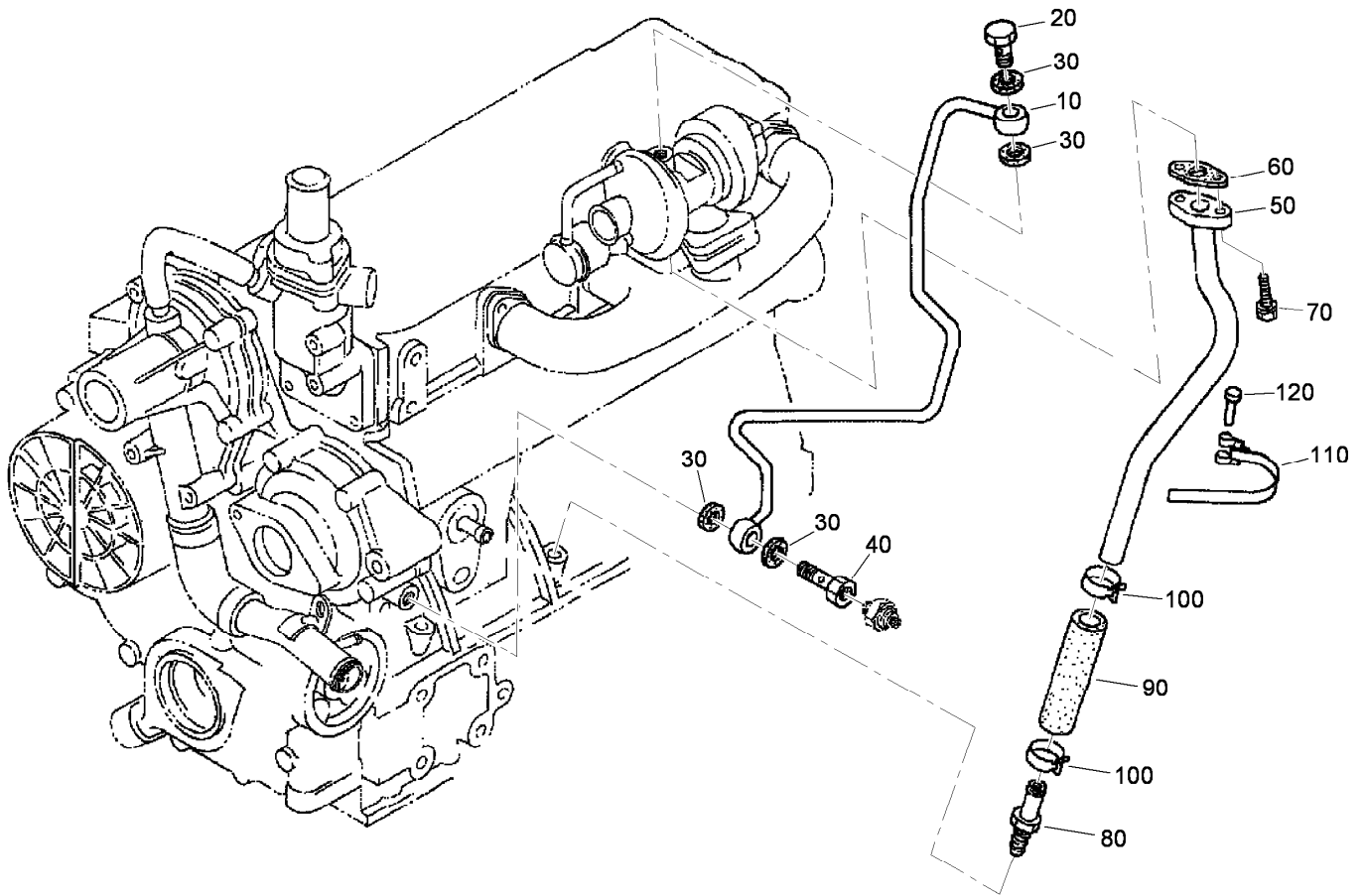
## Inlet and Exhaust Manifold Assembly

<i>Ref.</i>	<i>Part Number</i>	<i>Qty.</i>	<i>Description</i>
10	105-3759	1	Inlet Manifold ASM
20	105-3760	1	Gasket-Manifold, Inlet
30	98-7605	3	Bolt
40	98-9353	2	Bolt
50	105-3797	3	Bolt
60	115-4123	1	Hose-Inlet
70	115-3048	1	Clamp-Hose
80	115-3049	1	Clamp-Hose
90	108-4425	1	Manifold-Exhaust
100	105-3765	1	Gasket-Ex-Manifold
110	98-9588	8	Stud
120	98-9665	8	Nut
130	99-8342	3	Stud



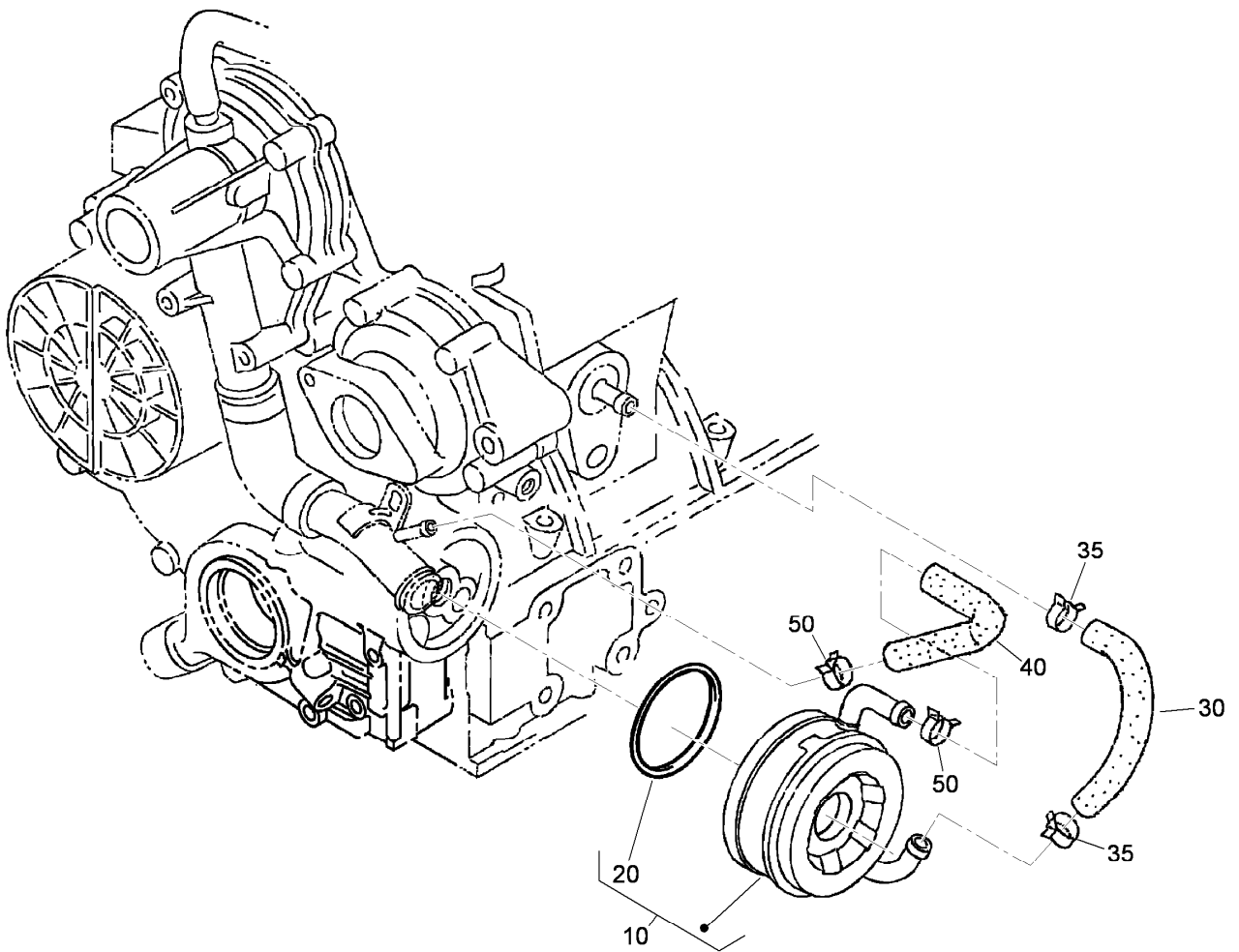
## Turbo Charger Assembly

<i>Ref.</i>	<i>Part Number</i>	<i>Qty.</i>	<i>Description</i>
10	108-1412	1	Turbo Charger ASM
15	108-1413	1	Hose ASM
17	108-1414	2	Clamp-Hose
20	105-3767	1	Gasket
30	98-7534	3	Nut
40	105-2893	3	Washer-Spring
50	99-8335	1	Flange-Muffler
60	105-3768	1	Gasket
70	115-4100	3	Bolt
80	105-2895	1	Bolt
90	98-7610	2	Bolt
100	98-7769	4	Stud
110	115-4101	1	Tube-Inlet, Turbo
120	115-4102	2	Band
130	115-4103	1	Pipe-Inlet, Breather



## Oil Pipe (Turbo Charger) Assembly

<i>Ref.</i>	<i>Part Number</i>	<i>Qty.</i>	<i>Description</i>
10	108-4424	1	Oil Pipe ASM
20	115-4126	1	Bolt-Joint, Eye
30	99-8346	4	Gasket
40	98-9417	1	Bolt-Joint, Eye
50	108-4423	1	Oil Pipe ASM
60	108-4422	1	Gasket
70	98-7605	2	Bolt
80	105-3771	1	Oil Pipe ASM
90	98-9721	1	Pipe-Oil
100	98-9714	2	Clamp-Hose
110	98-9601	1	Clamp-Pipe
120	98-9591	1	Pin-Band



## Oil Cooler Assembly

<i>Ref.</i>	<i>Part Number</i>	<i>Qty.</i>	<i>Description</i>
10	104-5158	1	Oil Cooler ASM
20	112-7030	1	O-Ring
30	98-9724	1	Pipe-Cooler, Oil
35	98-9579	2	Band-Pipe
40	98-9578	1	Pipe-Return, Water
50	98-9579	2	Band-Pipe

# Attachments and Accessories

## For 30859 Groundsmaster 4300-D Traction Unit

<b>Product Name</b>	<b>Model/Part</b>
Air Ride Seat Suspension Kit.....	03667
Premium Bio-Degradable Hydraulic Fluid (5 Gallon Pail).....	100-7674
Wheel Weight Kit.....	104-1478
Premium All Season Hydraulic Fluid (55 Gallon Drum).....	108-1177
Premium All Season Hydraulic Fluid (5 Gallon Pail).....	108-1178
Premium Engine Oil, 10w30 (55 Gallon Drum).....	108-1179
Premium Engine Oil, 10w30 (5 Gallon Pail).....	108-1180
Premium Bio-Degradable Hydraulic Fluid (55 Gallon Drum).....	108-1189
Premium All Purpose Grease (Tube).....	108-1190
Air Cleaner Safety Element.....	108-3813
22in Combo Blade.....	108-7395-03
ROPS Extension Kit.....	110-8030
Operator Fan Kit - US Sales Only, 3in ROPS Post.....	110-8804
Weight Plate.....	110-8985-03
22in High Lift Blade.....	114-0434-03
22in Atomic Blade.....	114-0435-03
Roller Scraper Kit.....	117-0149
Mulching Kit.....	117-0185
22in Angle Sail Blade.....	117-0209-03
22in Rotary Cutting Unit Sectional Roller ASM.....	117-0297
Service Pack-Combo Blade.....	119-6957
400-Hour Filter Maintenance Kit.....	30055
Hardtop Sunshade.....	30359
22in Rotary Cutting Unit.....	30845
Diagnostic Display Box.....	85-4750
Spark Arrestor.....	98-9099

**Notes:**



**Count on it.**