



Count on it.

Parts Catalog

Groundsmaster® 4300-D Traction Unit

Model No. 30859—Serial No. 311000601 and Up



Ordering Replacement Parts

To order replacement parts, please supply the part number, the quantity, and the description of each part desired.

Understanding Reference Numbers

Each identified part in an illustration has a reference number. The reference number for a part also appears in the parts list, along with other information about the part.

This catalog uses two special reference number formats, one to indicate parts in a service assembly and another to indicate the quantity of a given part in an illustration.

Service Assembly Reference Numbers

Parts in service assemblies have reference numbers in the form a:b. The a represents the reference number of the entire service assembly and the b represents a sequential number unique to each part within the service assembly.

For example, a wheel assembly might be identified by reference number 6, the tire by 6:1, the valve by 6:2, and the wheel by 6:3. When you order the assembly identified by reference number 6, you receive all parts identified by reference numbers 6:1, 6:2, and 6:3. However, you may also order any part individually. Reference numbers of this type appear in illustration and in parts lists.

Reference Numbers Indicating Quantity

In an illustration, if a reference number indicates more than one part, the reference number has the form nX y. The n represents the quantity of the part, the X is the multiplication symbol, and the y represents the reference number.

For example, in an illustration, the reference number 2X 37 means that two of the parts identified by reference number 37 are indicated.

List of Abbreviations

AR: as required

ASM: assembly

BBC: blade brake control

BHTF: button head thread forming

CARR: carriage

CCW: counter clockwise

CW: clockwise

DEG: degrees

DPA: Dual Point Adjustment

ECM: electronic control module

EXT: external

FH: flat head

GA: gauge

HD: heavy-duty

HF: hex flange

HH: hex head

HHF: hex head flange

HHFTF: hex head flange thread forming

HJ: hex jam

HLH: hex lag head

HOC: height-of-cut

HSBH: hex socket button head

HSFH: hex socket flat head

HSH: hex socket head

HWH: hex washer head

HWHTF: hex washer head thread forming

HYD: hydraulic

LH: left hand

LP: Liquefied Petroleum Gas

LPG: Liquefied Petroleum Gas

NI: nylon insert

NPTF: national pipe thread fine

PFH: phillips flat head

PPH: phillips pan head

PPHTF: phillips pan head thread forming

PRH: phillips round head

PTH: phillips truss head

PTO: power-take-off

RH: right hand

ROPS: roll-over protection system

RRB: rear roller brush

SFH: slotted fillister head

SHH: slotted hex head

SHWH: slotted hex washer head

SPH: slotted pan head

SQH: square head

SRH: slotted round head

STD: standard

TAP: self tapping

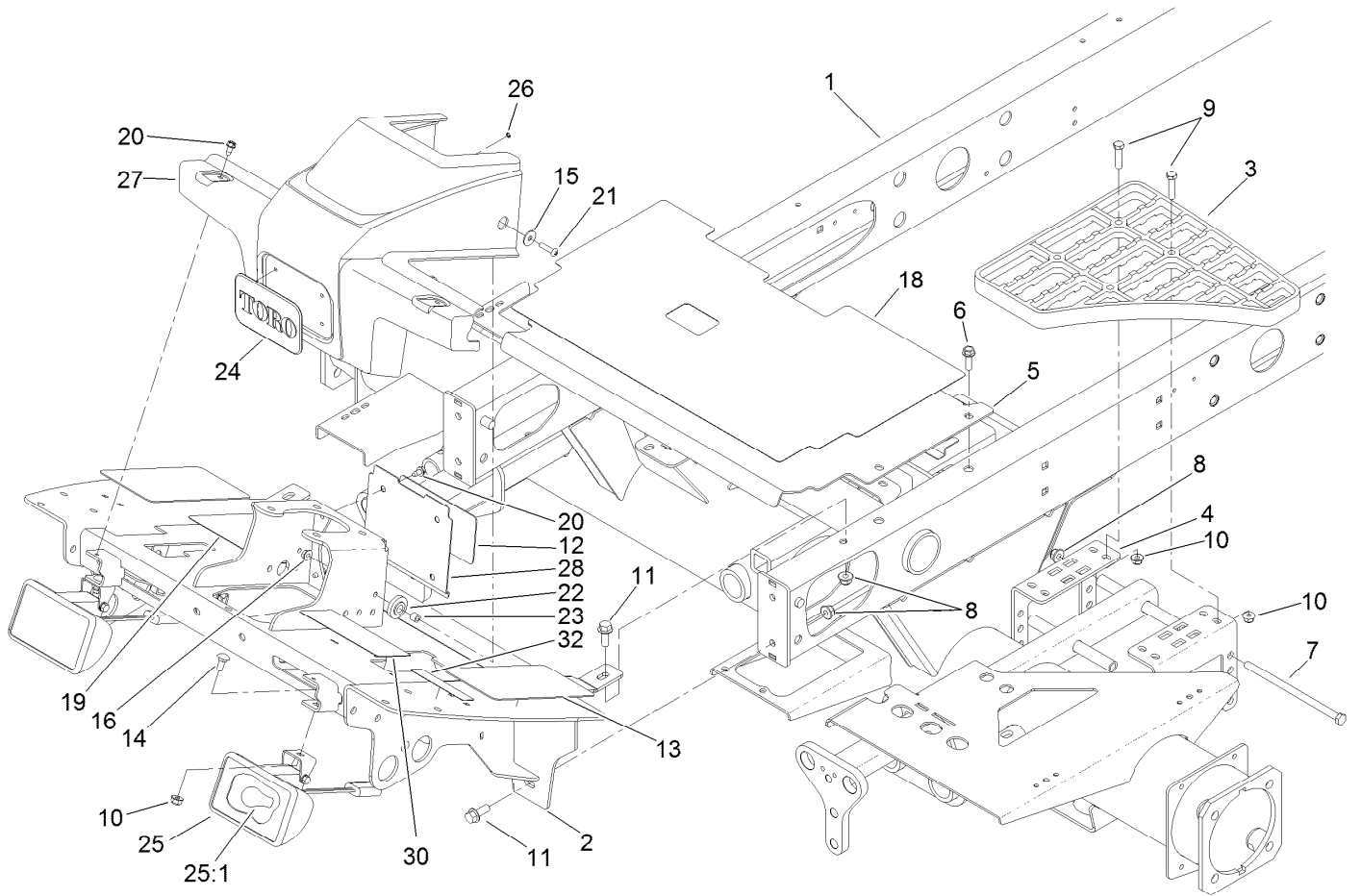
TTH: torx truss head

Contents

Front Frame Assembly	5
Steering Valve Hydraulic Plumbing Assembly	6
Steering Tilt Column Assembly No. 106-3622	7
Steering Valve Assembly No. 106-3621	8
Traction Pedal Assembly	9
Brake Pedal Assembly	10
Seat and Armrest Assembly	11
Seat Base and Suspension Assembly	12
Mechanical Seat Suspension Assembly No. 110-8851	13
Console and Control Arm Assembly	14
Joystick Bracket Assembly No. 120-5280	16
Hydraulic Tank Assembly	17
Fuel Tank Assembly	18
Front Wheel, Brake and Hydraulic Motor Assembly	19
Hydraulic Motor Assembly No. 120-6264	21
Hydraulic Motor Assembly No. 120-6265	22
LH Brake Assembly No. 120-6261	23
RH Brake Assembly No. 120-6260	24
Driveshaft and Variable Pump Hydraulic Fitting Assembly	25
Driveshaft Assembly No. 108-1641	26
Hydraulic Pump Assembly No. 119-6972	27
Gear Pump Hydraulic Plumbing Assembly	29
Gear Pump Assembly No. 108-4003	30
Engine Mounting and Electrical Assembly	31
Engine Intake and Exhaust Assembly	32
Air Cleaner Assembly No. 110-8917	33
Fuel System Delivery Assembly	34
Radiator and Hydraulic Cooler Assembly	35
Hydraulic Lift Block and Plumbing Assembly	37
Lift Control Manifold Assembly No. 117-0158	38
Reel Control Block Hydraulic Plumbing Assembly	39
Deck Control Manifold Assembly No. 114-0359	40
Rear Deck Drive System Plumbing and Front Hose Assembly	41
Gear Motor Assembly No. 108-4004	43
Front Lift Cylinder and Plumbing Assembly	44
Hydraulic Cylinder Assembly No. 119-6989	45
Hydraulic Cylinder Assembly No. 119-6990	46
Hydraulic Cylinder Assembly No. 119-6991	47
Front Lift Arm Assembly	48
Rear Lift Cylinder and Plumbing Assembly	50
Hydraulic Cylinder Assembly No. 119-6988	51
Rear Lift Arm Assembly	52
Rear Axle Assembly	53
Tie Rod Assembly No. 110-5334-03	54
Hydraulic Cylinder Assembly No. 114-0403	55
All Wheel Drive Assembly	56
Hydraulic Motor Assembly No. 107-4544	57
Hydraulic Motor Assembly No. 110-0901	58
Four Wheel Drive Manifold Assembly No. 108-1825	59
Battery and Bumper Assembly	60
Hood and Body Panel Assembly	61
Crankcase Assembly	62
Oil Pan Assembly	63
Cylinder Head Assembly	64

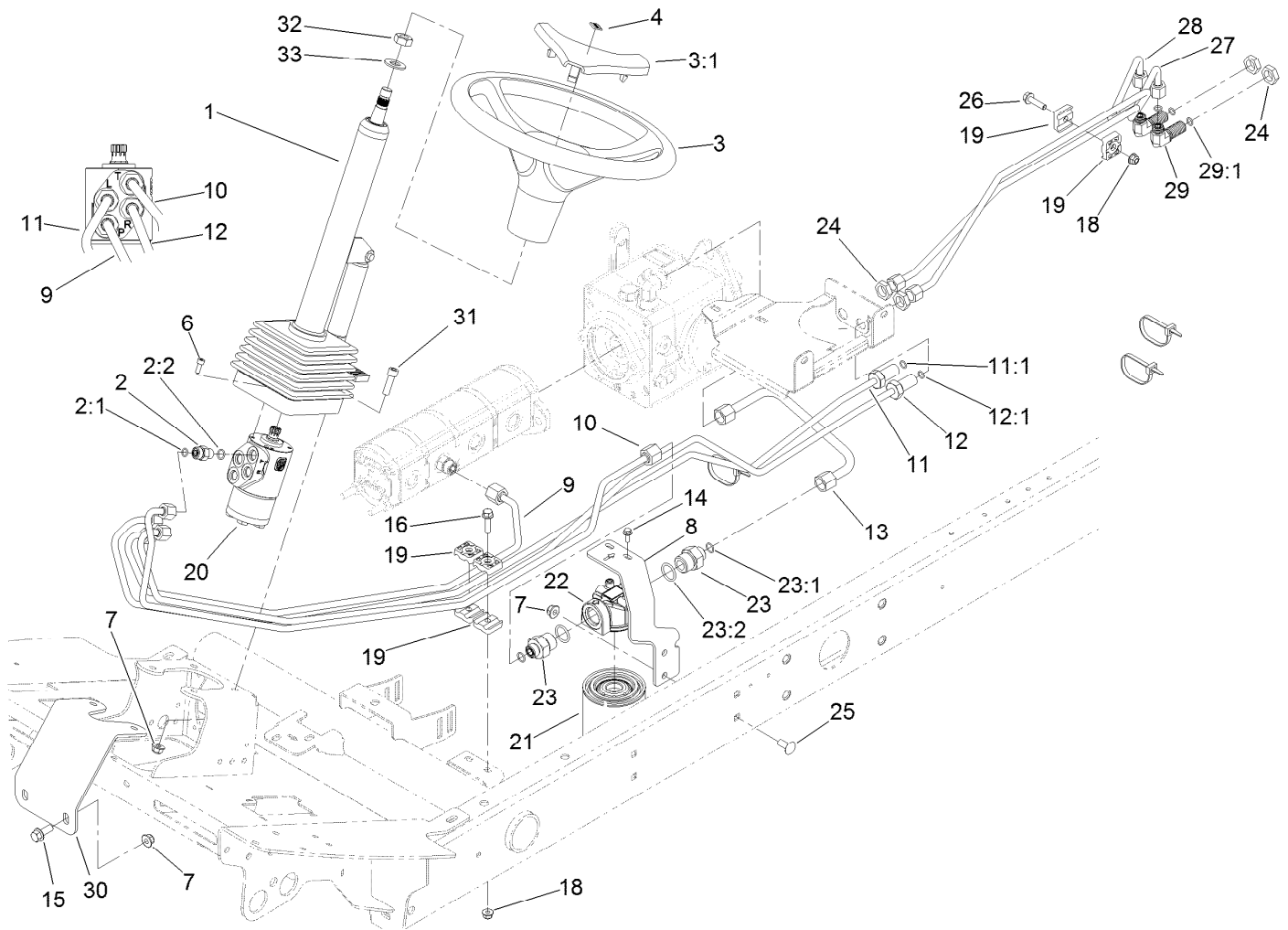
Contents (continued)

Gear Case Assembly	65
Cylinder Head Cover Assembly	66
Dipstick and Guide Assembly	67
Main Bearing Case Assembly	68
Cam Shaft and Idle Gear Shaft Assembly	69
Piston and Crankshaft Assembly	70
Flywheel Assembly	71
Fuel Camshaft and Governor Shaft Assembly	72
Idle Apparatus Assembly	73
Injection Pump Assembly	74
Speed Control Plate Assembly	75
Nozzle Holder and Glow Plug Assembly	76
Nozzle Holder Component Assembly	77
Governor Assembly	78
Alternator and Pulley Assembly	79
Alternator Components Assembly	80
Starter Assembly	81
Water Flange and Thermostat Assembly	82
Water Pump Assembly	83
Overflow Bottle Assembly	84
Valve and Rocker Arm Assembly	85
Inlet and Exhaust Manifold Assembly	86
Turbo Charger Assembly	87
Oil Pipe (Turbo Charger) Assembly	88
Oil Cooler Assembly	89
Attachments and Accessories	90



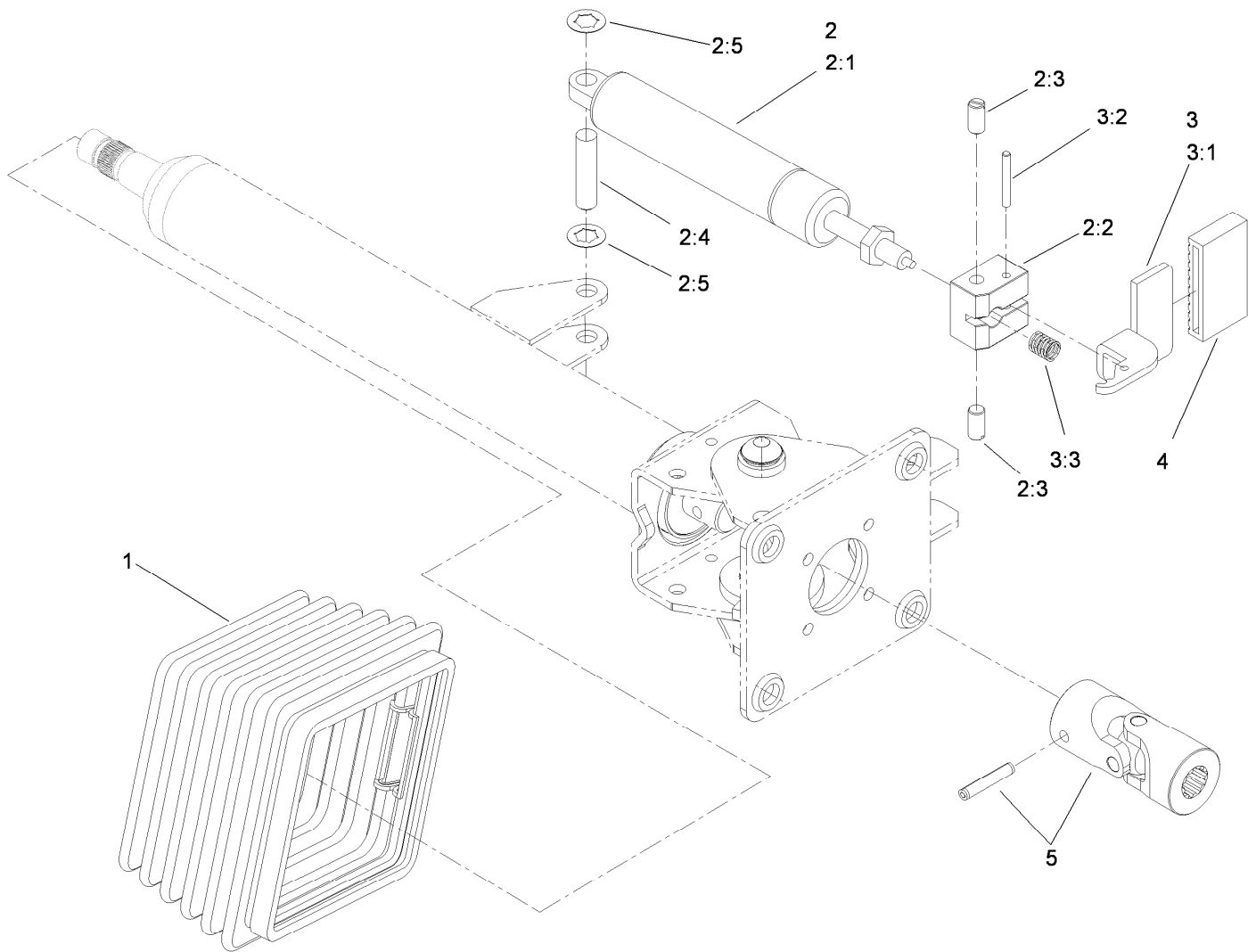
Front Frame Assembly

<i>Ref.</i>	<i>Part Number</i>	<i>Qty.</i>	<i>Description</i>	<i>Ref.</i>	<i>Part Number</i>	<i>Qty.</i>	<i>Description</i>
1	114-0388	1	Frame ASM	18	115-8065	1	Tread-Service Panel
2	117-0161-01	1	Platform	19	108-1845	1	Tread-Board, Floor
3	110-9041	2	Step-Aluminum	20	32104-17	6	Screw-HWH
4	117-5161-01	4	Bracket-Step	21	106-9518	2	Screw-PRH
5	115-8064-01	1	Plate-Floor	22	240-11	2	Bushing-Flange
6	3234-17	4	Screw-HHF	23	66-8010	2	Spacer-Hub, Impeller
7	323-36	4	Screw-HH	24	93-6028	1	Plate-Logo
8	104-8301	8	Nut-Flange, NI	25	94-9024	2	Lamp ASM
9	322-17	8	Screw-HH	25:1	95-0909	1	Lamp-12 Volt
10	104-8300	10	Nut-Flange, NI	26	3254-9	4	Washer-Lock, Internal
11	3234-11	4	Screw-HHF	27	110-0944	1	Shroud-Platform
12	110-0986	1	Decal-Plate, Cover	28	110-0947-03	1	Plate-Cover
13	110-0988	2	Tread-Floor, Side	30	110-8869	1	Decal-Danger
14	3230-1	2	Bolt-CARR	30	110-8973	1	Decal-Danger
15	87-6630	2	Washer-Plain	32	117-2718	1	Decal-Arrester, Spark
16	32128-33	2	Nut-HF				



Steering Valve Hydraulic Plumbing Assembly

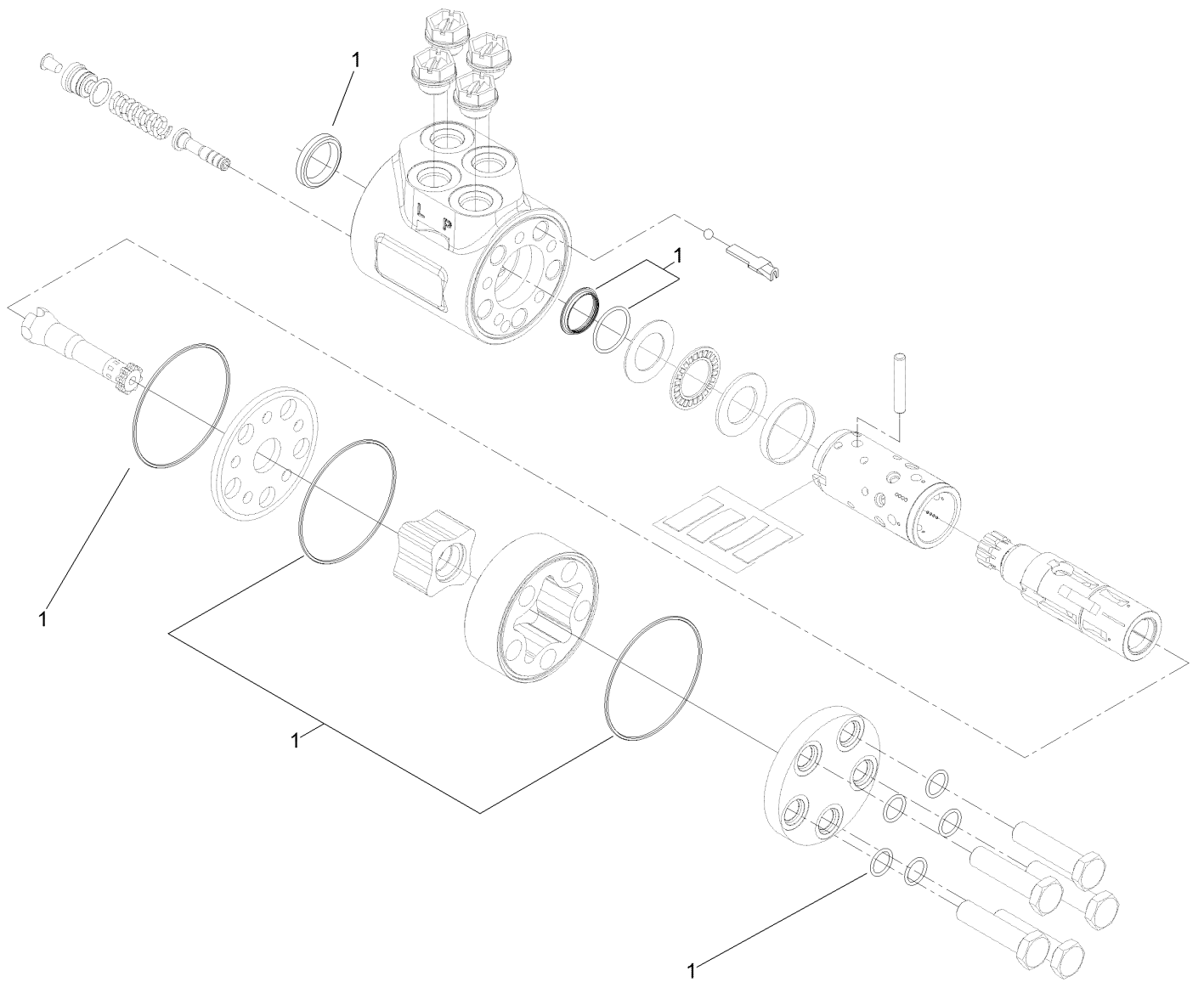
Ref.	Part Number	Qty.	Description	Ref.	Part Number	Qty.	Description
1	106-3622	1	Steering Tilt Column ASM	18	104-8300	3	Nut-Flange, NI
2	340-2	4	Fitting-HYD, Straight	19	56-7973	6	Clamp-Tube
2:1	237-22	1	O-Ring	20	106-3621	1	Steering Valve ASM
2:2	237-42	1	O-Ring	21	86-3010	1	Filter-Oil
3	98-1471	1	Wheel-Steering	22	117-5820	1	Head-Filter
3:1	98-1468	1	Cover-Wheel, Steering	23	100-4240	2	Fitting-Adapter
4	98-1459	1	Decal	23:1	237-30	1	O-Ring
6	105-2409	4	Screw-HSH	23:2	237-81	1	O-Ring
7	104-8301	8	Nut-Flange, NI	24	340-70	4	Nut-Lock
8	110-0906-01	1	Support-Filter, Oil	25	3231-27	2	Screw-CARR
9	117-0167	1	Tube-HYD	26	3234-36	1	Screw-HHF
10	108-1711	1	Tube-HYD	27	110-9019	1	Tube-HYD
11	108-1712	1	Tube ASM	28	110-9020	1	Tube-HYD
11:1	237-22	1	O-Ring	29	340-154	2	Union-Bulkhead
12	108-1713	1	Tube ASM	29:1	237-22	2	O-Ring
12:1	237-22	1	O-Ring	30	110-8876-01	1	Brace-Column
13	108-1714	1	Tube ASM	31	3274-1	4	Screw-HSH
14	3234-33	2	Screw-HHF	32	3296-33	1	Nut-Lock, NI
15	3234-11	2	Screw-HHF	33	3256-27	1	Washer-Flat
16	3234-36	2	Screw-HHF				



Steering Tilt Column Assembly No. 106-3622

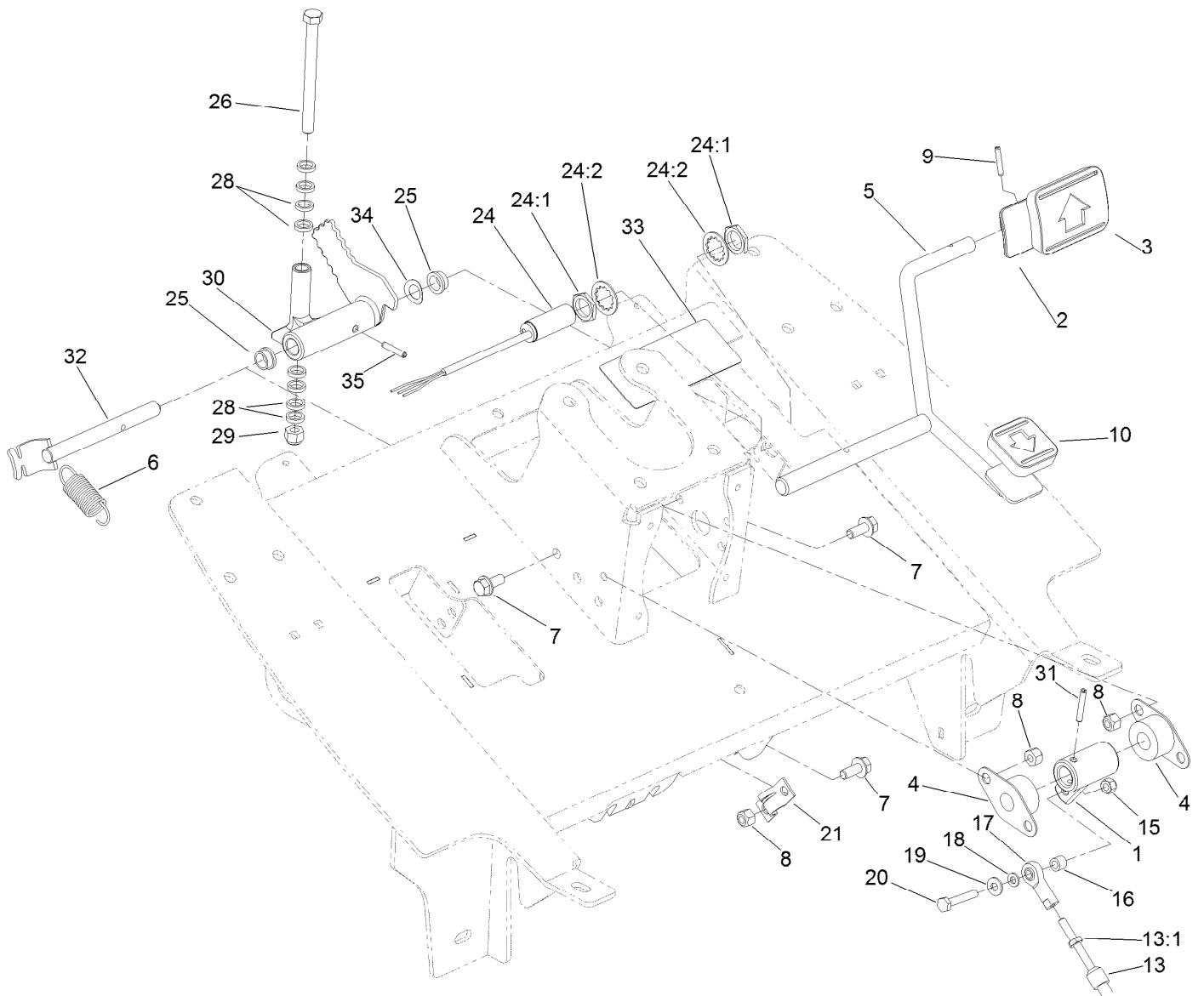
Ref.	Part Number	Qty.	Description
1	110-6462	1	Bellows-Rubber
2	110-6463	1	Cylinder Service Kit
2:1		1	Cylinder-Gas ●
2:2		1	Block-Pedal ●
2:3		2	Bolt ●
2:4		1	Pin ●
2:5		2	Washer-Lock ●
3	110-6464	1	Pedal Service Kit
3:1		1	Pedal ●
3:2		1	Pin ●
3:3		1	Spring ●
4	110-6465	1	Cover-Pedal
5	120-6256	1	Universal Joint Kit

● Not serviced separately



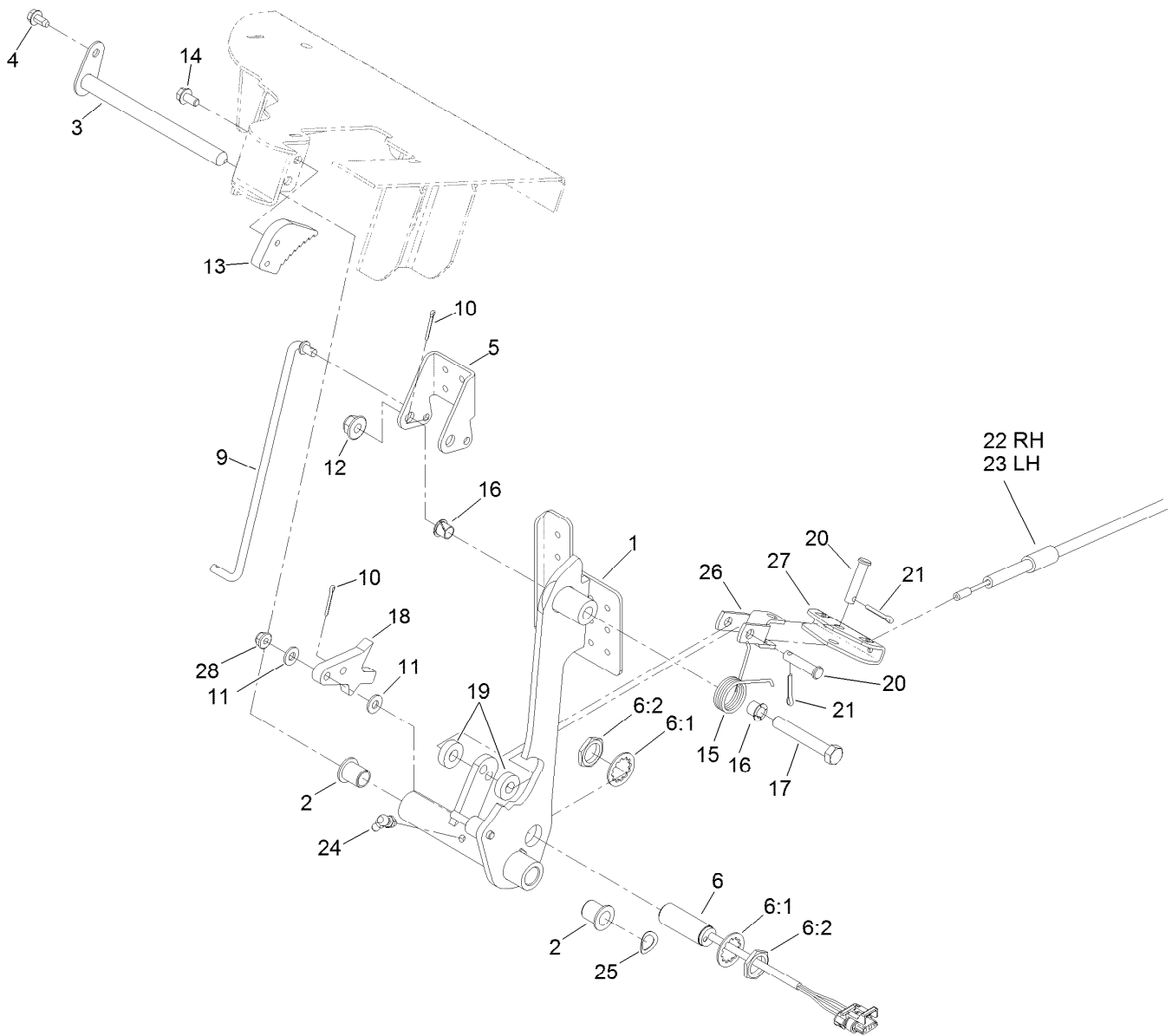
Steering Valve Assembly No. 106-3621

<i>Ref.</i>	<i>Part Number</i>	<i>Qty.</i>	<i>Description</i>
1	106-6716	1	Seal Kit



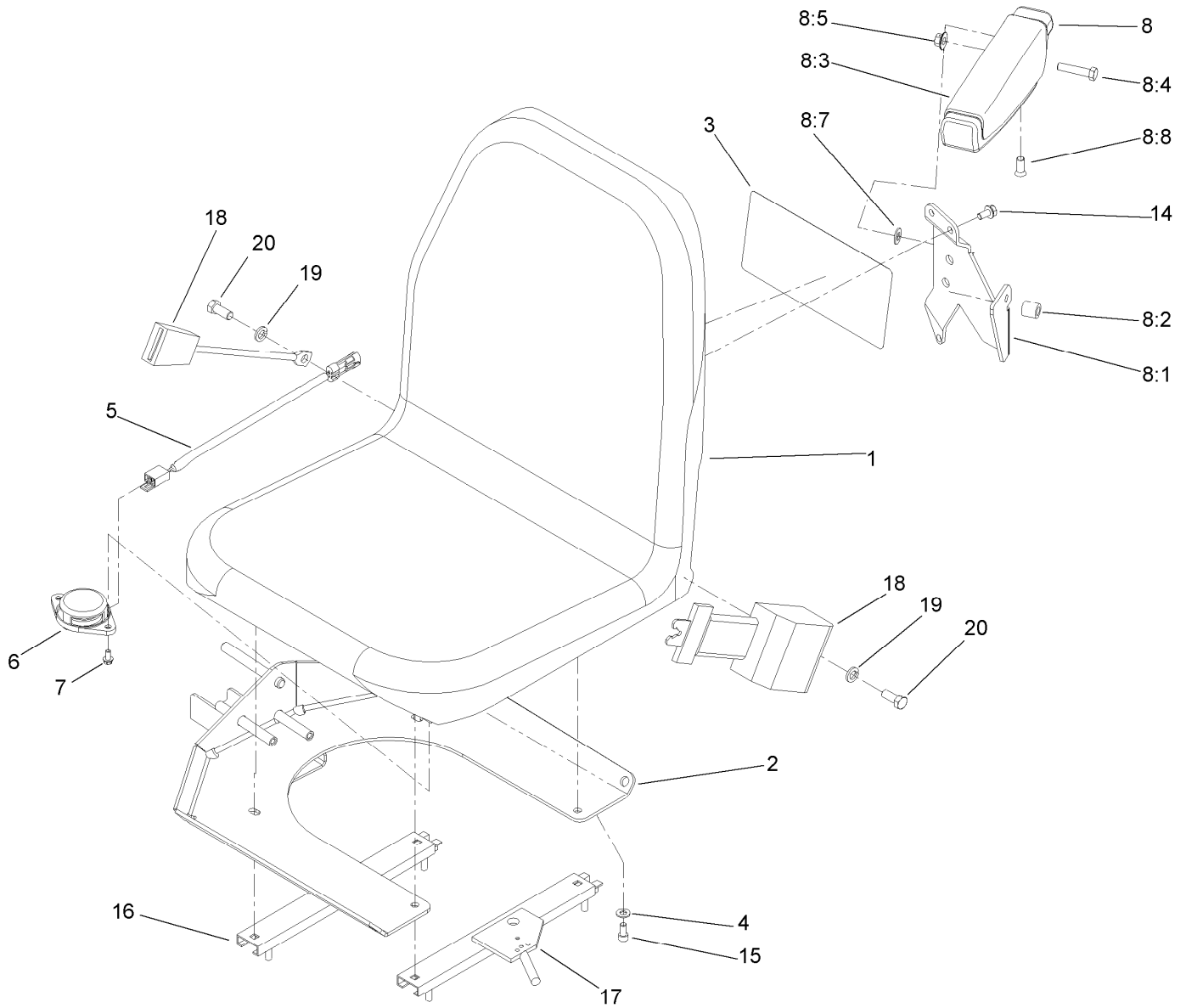
Traction Pedal Assembly

Ref.	Part Number	Qty.	Description	Ref.	Part Number	Qty.	Description
1	117-5199	1	Hub-Traction Pedal	19	3256-22	1	Washer-Flat
2	117-9507	1	Pedal-Accelerator	20	321-9	1	Screw-HH
3	74-9100	1	Pad-Pedal, Forward	21	93-2092	1	Clamp-Cable
4	256-236	2	Bearing-Mount, Flange	24	115-0282	1	Sensor-Proximity
5	106-3840	1	Pedal-Traction	24:1	117-3207	2	Nut-Hex
6	92-7305	1	Spring-Extension	24:2	117-3208	2	Washer-Lock, Internal Tooth
7	3234-5	6	Screw-HHF	25	256-156	2	Bushing-Flange
8	3296-29	6	Nut-Lock, NI	26	323-17	1	Screw-HH
9	32121-45	1	Pin-Spring	28	62-4420	8	Washer
10	74-9110	1	Pad-Pedal, Reverse	29	3296-39	1	Nut-Lock, NI
13	107-2084	1	Traction Cable ASM	30	117-8066	1	Mow-Stop
13:1	3220-1	2	Nut-Jam	31	32121-6	1	Pin-Roll, Slotted
15	3296-42	1	Nut-Lock, NI	32	106-3731	1	Rod-Pivot
16	66-8010	1	Spacer-Hub, Impeller	33	110-8921	1	Decal-Speed, Mow
17	2411-41	1	Rod End-Ball Joint	34	110-8982	1	Washer-Spring
18	33093-00	1	Washer-Flat	35	32121-16	1	Pin-Spring



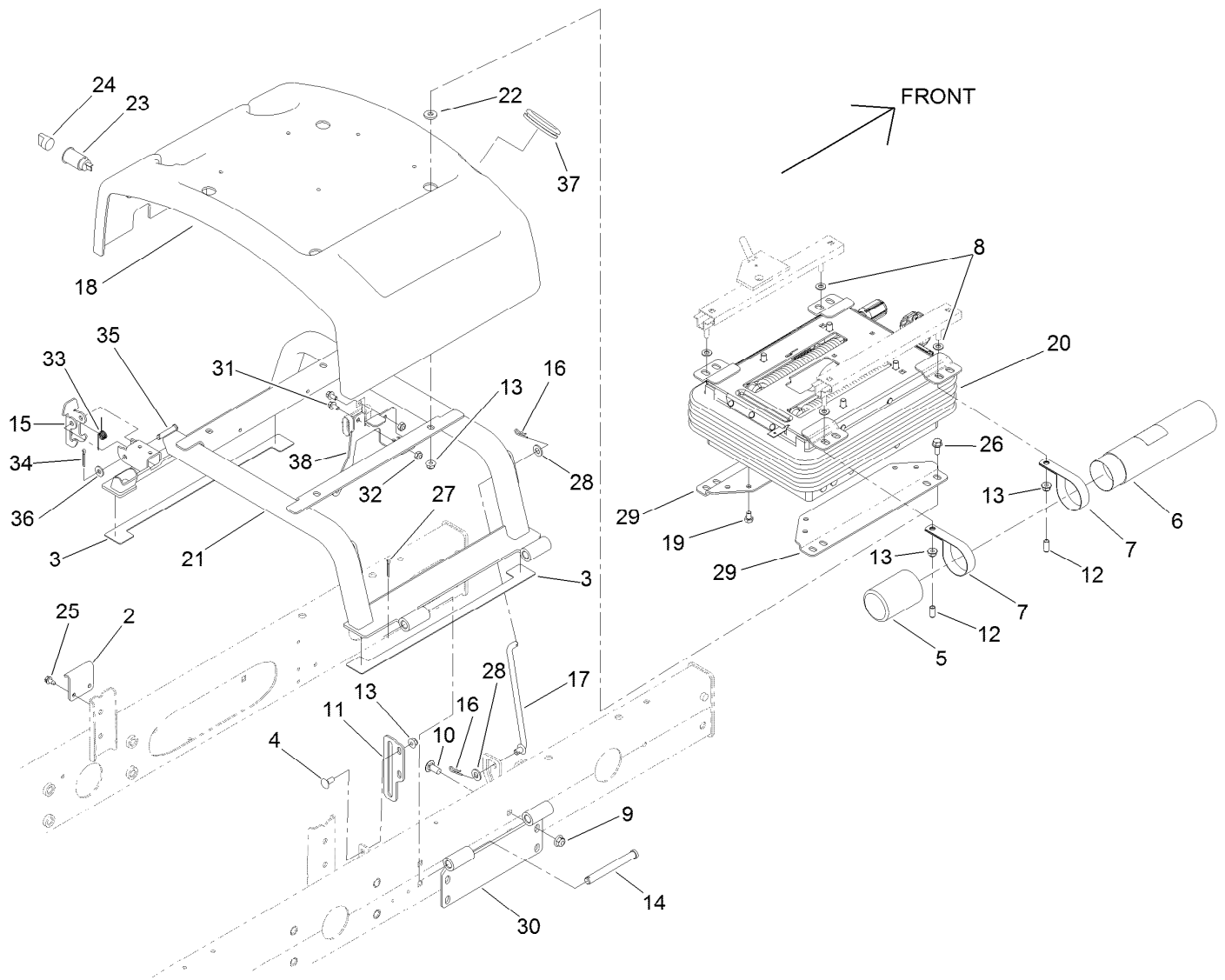
Brake Pedal Assembly

Ref.	Part Number	Qty.	Description	Ref.	Part Number	Qty.	Description
1	115-0120-03	1	Pedal-Brake	15	99-7140	1	Spring-Torsion
2	256-155	2	Bushing-Flange	16	52-2891	2	Bushing-Flanged, Nylon
3	104-7179	1	Pivot-Pedal	17	323-12	1	Screw-HH
4	12-3270	1	Screw	18	117-0238	1	Detent
5	99-7963-03	1	Pedal-Park	19	5-0652	2	Spacer
6	115-5300	1	Proximity Switch ASM	20	283-14	2	Pin-Clevis
6:1	117-3207	2	Nut-Hex	21	3272-10	2	Pin-Cotter
6:2	117-3208	2	Washer-Lock, Internal Tooth	22	117-0106	1	Cable-Brake, RH
9	115-0129	1	Rod-Pawl, Brake	23	117-0107	1	Cable-Brake, LH
10	3272-6	2	Pin-Cotter	24	302-60	1	Fitting-Grease
11	3256-22	2	Washer-Flat	25	110-8982	1	Washer-Spring
12	104-8301	1	Nut-Flange, NI	26	115-8060	1	Clevis-Double
13	99-7214	1	Pawl-Brake	27	115-8059	1	Yoke-Cable
14	3234-13	2	Screw-HHF	28	104-7201	1	Nut-HF



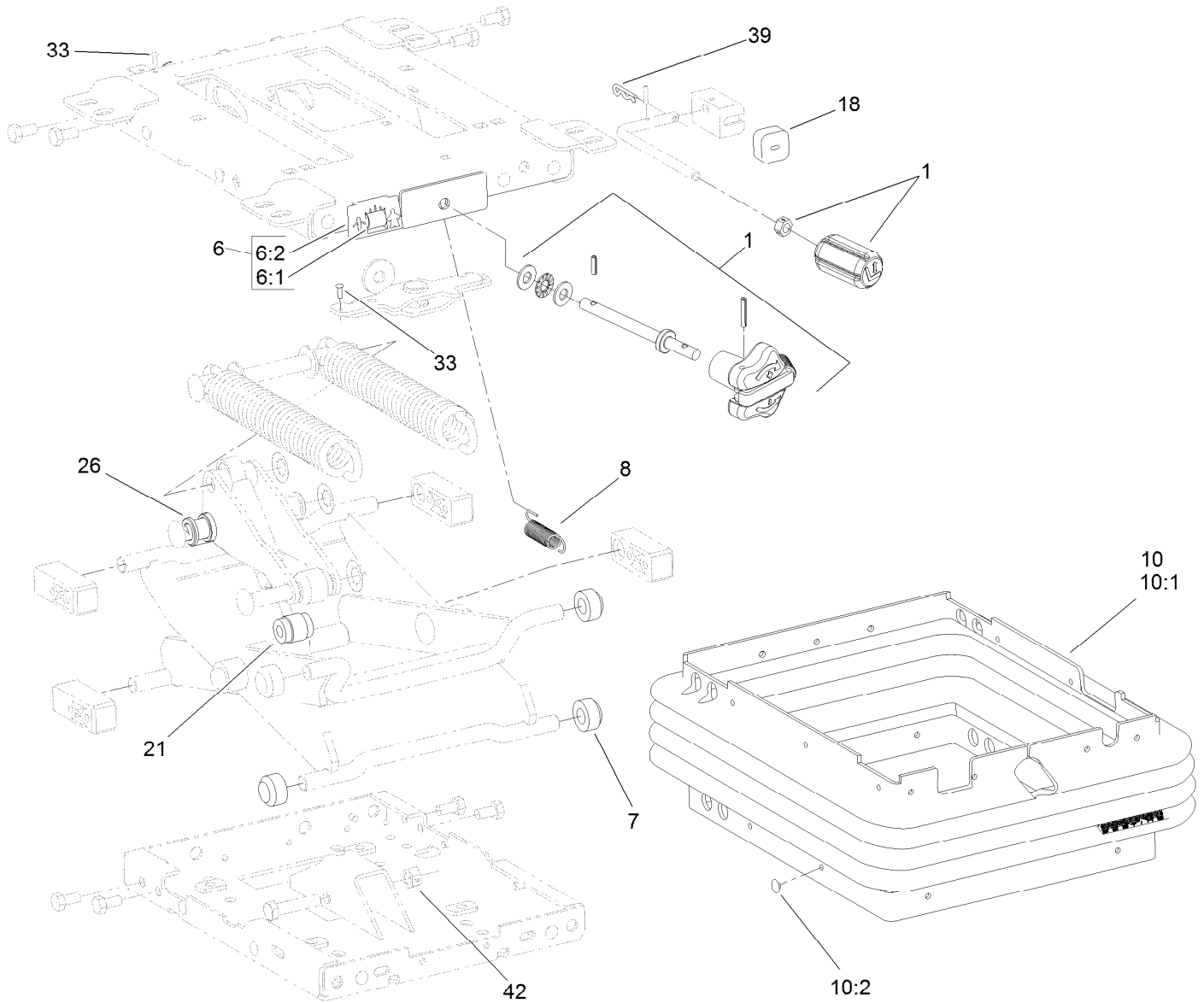
Seat and Armrest Assembly

<i>Ref.</i>	<i>Part Number</i>	<i>Qty.</i>	<i>Description</i>	<i>Ref.</i>	<i>Part Number</i>	<i>Qty.</i>	<i>Description</i>
1	104-4620	1	Seat	8:4	323-9	1	Screw-HH
2	108-7591-03	1	Mount-Seat / Control	8:5	32128-19	1	Nut-HF
3	117-0168	1	Decal-Service	8:7	3256-24	1	Washer-Flat
4	3256-23	4	Washer-Flat	8:8	92-7318	1	Screw
5	108-8657	1	Harness-Wire, Seat	14	3234-14	3	Screw-HHF
6	92-6282	1	Switch-Seat	15	3274-12	4	Screw-HSH
7	9266714	2	Screw-HWH	16	92-8990	1	Adjuster-Slave
8	92-7307	1	LH Armrest ASM	17	92-8991	1	Adjuster ASM (w/Latch)
8:1	69-0760	1	Bracket-Arm, LH	18	100-4928	1	Belt-Seat
8:2	92-7301	1	Spacer	19	3253-6	2	Washer-Lock
8:3	69-1180	1	Armrest	20	3212-4	2	Screw-HH



Seat Base and Suspension Assembly

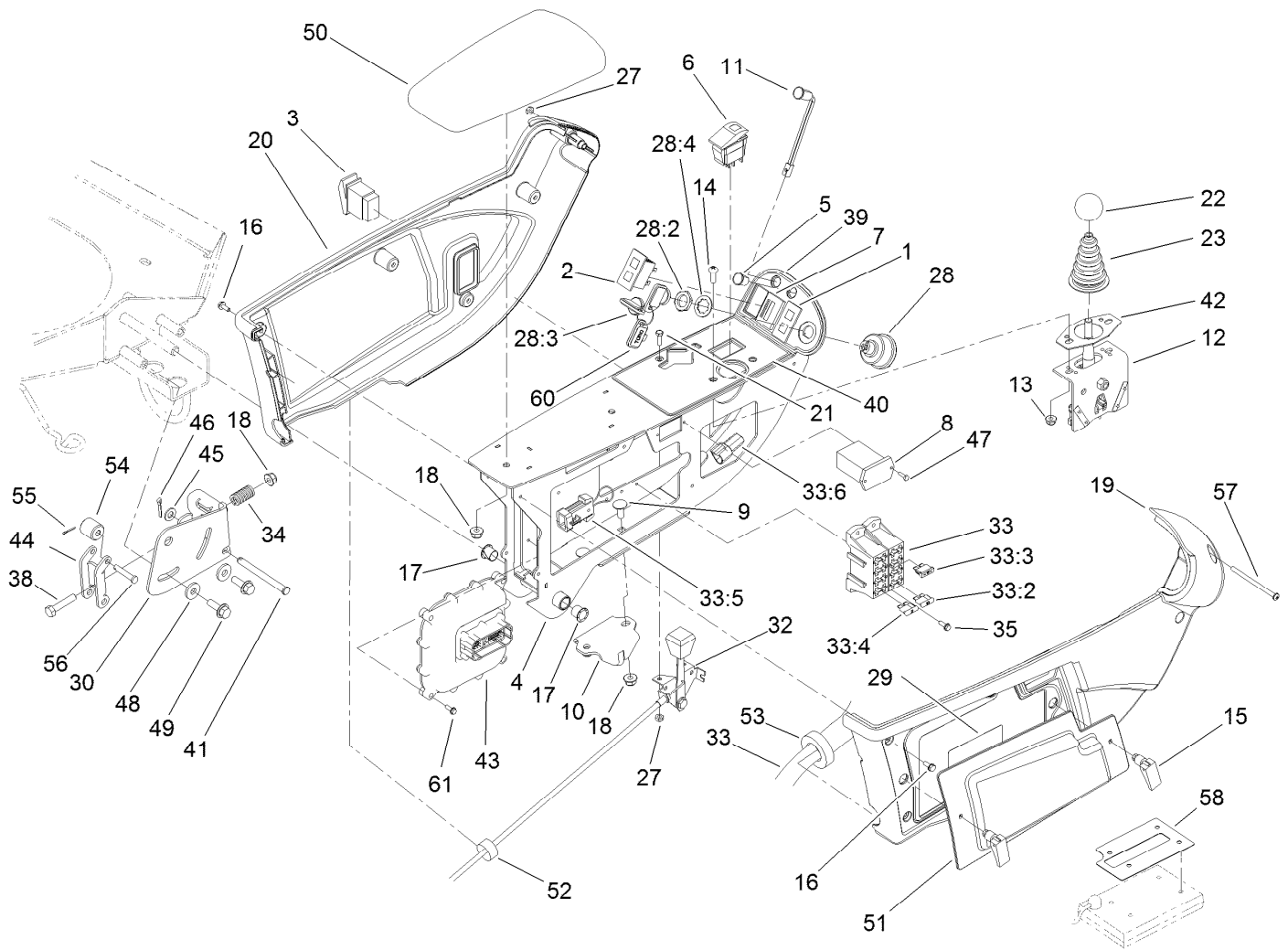
Ref.	Part Number	Qty.	Description	Ref.	Part Number	Qty.	Description
2	110-8972	1	Hook-Latch	21	108-7577-03	1	Seat Base
3	110-5255	2	Bumper-Base, Seat	22	71-9310	4	Spacer
4	3230-1	2	Bolt-CARR	23	99-7411	1	Point-Power
5	104-7048	1	Cap-Housing	24	99-7416	1	Cap
6	104-7050	1	Tube-Manual	25	32104-17	2	Screw-HWH
7	2412-133	2	R-Clamp	26	3234-17	4	Screw-HHF
8	3256-23	4	Washer-Flat	27	3272-11	2	Pin-Cotter
9	104-8301	4	Nut-Flange, NI	28	3256-24	4	Washer-Flat
10	3231-27	4	Screw-CARR	29	108-6590-03	2	Bracket-Seat, Lower
11	108-7584-01	1	Plate-Guide, Rod	30	108-7582-03	1	Plate-Pivot
12	94-2782	4	Cap-Wire, Lite	31	3234-13	2	Screw-HHF
13	104-8300	10	Nut-Flange, NI	32	3296-16	2	Nut-Lock, NI
14	283-83	2	Pin-Clevis	33	104-4821	1	Spring-Torsion
15	110-8971	1	Latch	34	3272-6	1	Pin-Cotter
16	3290-307	4	Pin-Hair	35	94-3829	1	Pin-Clevis
17	98-0917	2	Rod-Prop	36	3256-2	1	Washer-Flat
18	108-1757	1	Cover-Seatbase	37	240-12	1	Grommet
19	48-7680	4	Screw-HH	38	119-6973-03	1	Bracket-Harness
20	110-8851	1	Mechanical Suspension ASM				



Mechanical Seat Suspension Assembly No. 110-8851

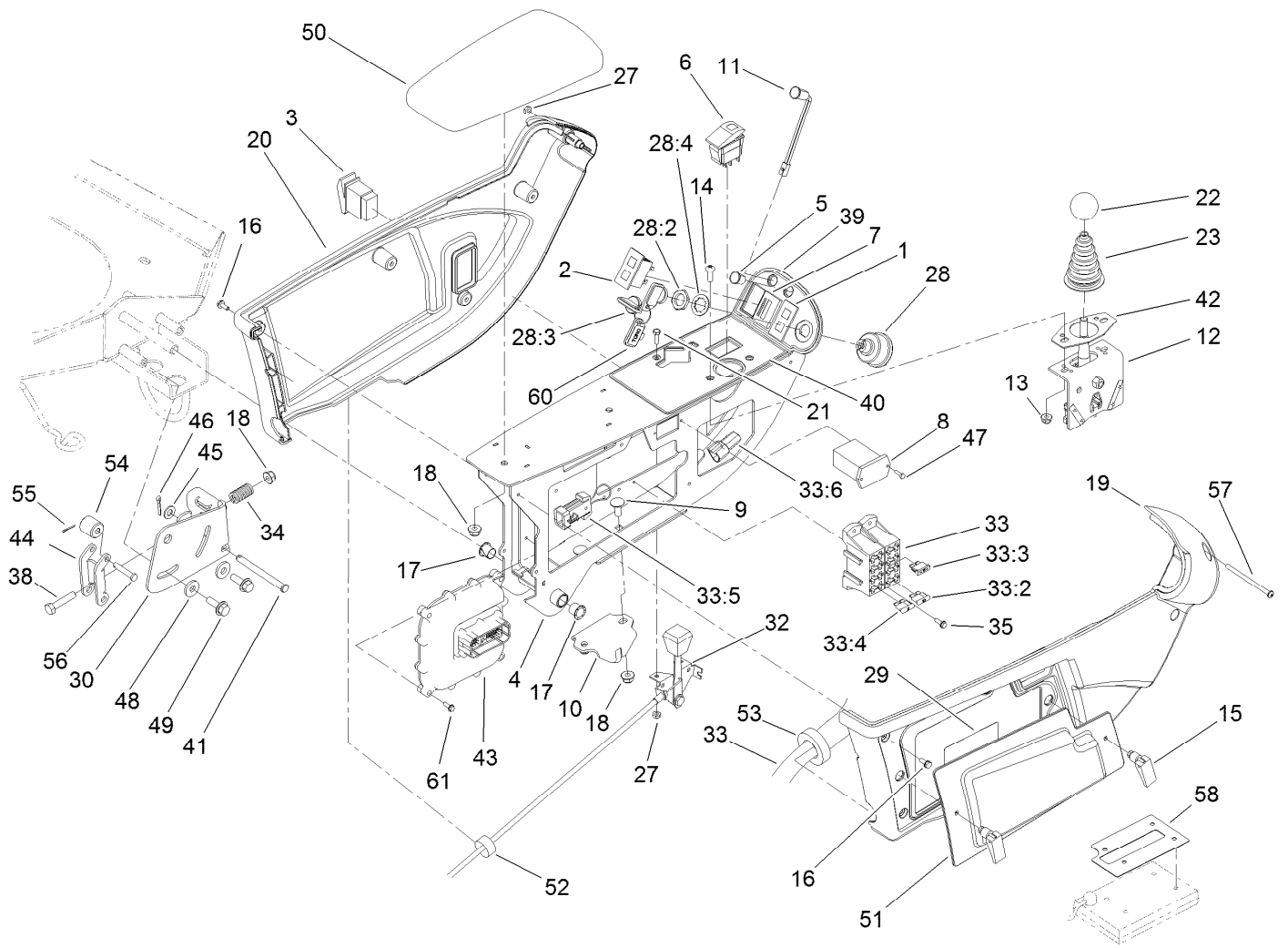
Ref.	Part Number	Qty.	Description
1	119-8040	1	Knobs Service Kit
6	108-4584	1	Weight Indicator Service Kit
6:1		1	Tape-Weight Adjust ●
6:2		1	Guide-Weight Adjust ●
7	108-9632	4	Roller
8	108-9633	1	Spring-Extension
10	112-0164	1	Boot Kit
10:1		1	Boot-Suspension ●
10:2	108-9641	21	Clip-Plug
18	108-9634	1	Bumper
21	108-9614	1	Damper
26	108-9622	2	Tube
33	3269-16	2	Rivet
39	3272-9	1	Pin-Cotter
42	32152-2	1	Nut-Lock, Cone

● Not serviced separately



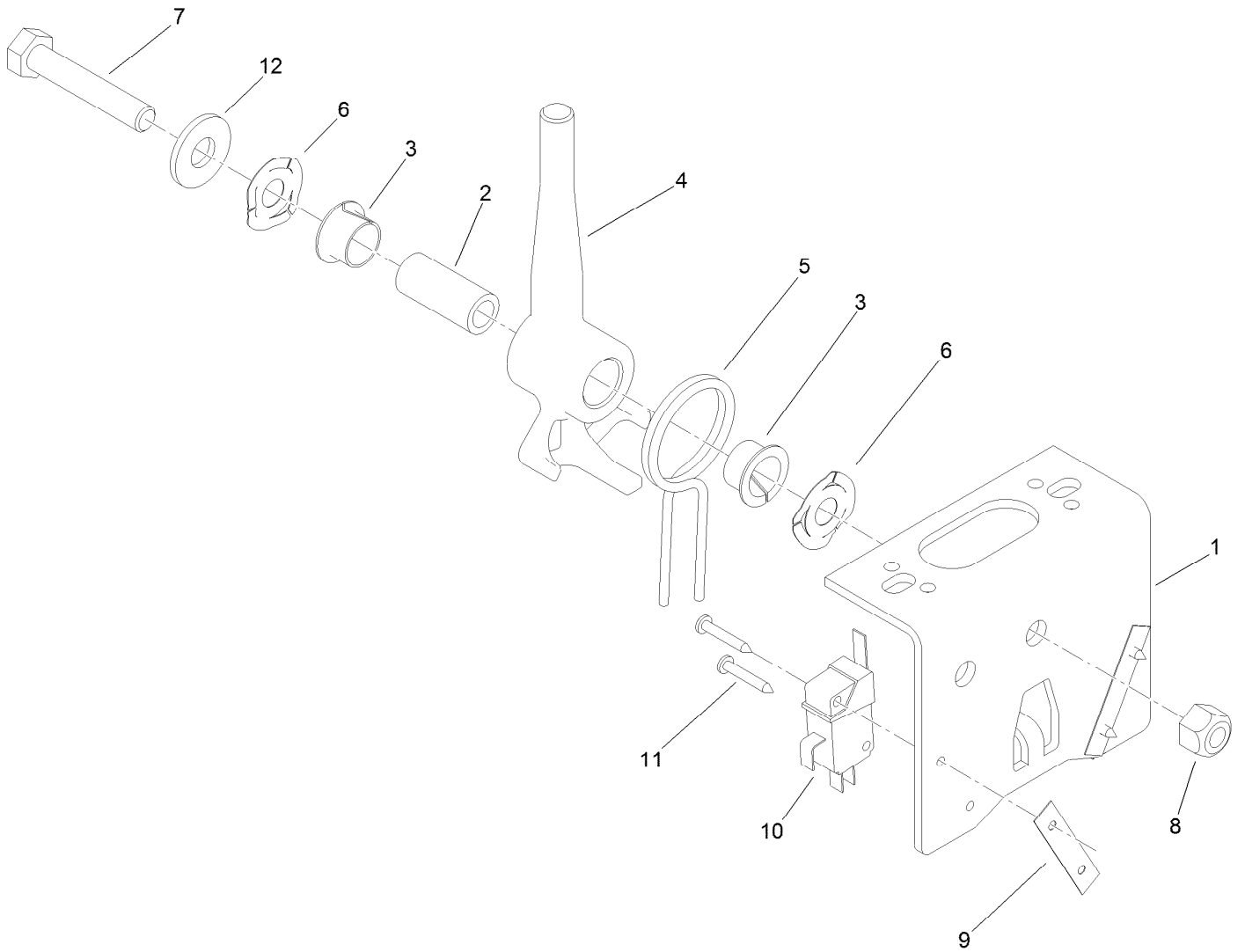
Console and Control Arm Assembly

Ref.	Part Number	Qty.	Description	Ref.	Part Number	Qty.	Description
1	100-8070	1	Lamp-Warning	22	233-42	1	Knob
2	100-8071	1	Lamp-Warning	23	93-5961	1	Boot-Lever
3	95-8999	1	Switch	27	3296-12	3	Nut-Lock, NI
4	114-0449-03	1	Arm-Control	28	106-5269	1	Ignition Switch ASM
5	2410-64	1	Plug-Button	28:2	108-8660	1	Nut-Mounting
6	105-4232	1	Switch	28:3	106-5270	1	Ignition Key Set
7	110-0941	1	Gauge-Temperature	28:4	108-8659	1	Washer-Backup
8	75-6820	1	Hourmeter	29	117-0169	1	Decal-Fuses
9	3230-23	2	Screw-CARR	30	110-5313-03	1	Bracket-Retainer
10	110-5340	1	Latch	32	114-8886	1	Control-Throttle
11	95-7652	1	Light-Indicator	33	119-1345	1	Harness-Wire, Seat
12	120-5280	1	Joystick Bracket ASM	33:2	114241	3	Fuse-Blade, 7.5 Amp
13	104-7201	2	Nut-HF	33:3	218-578	3	Fuse-Blade, 10 Amp
14	3258-166	2	Screw-PRH	33:4	109355	1	Fuse-Blade, 15 Amp
15	74-5950	2	Latch-Swell	33:5	85-4650	1	Connector
16	104-2065	10	Screw-HWH	33:6	32180-043	1	Resistor-120 Ohm
17	256-257	2	Bushing-Nyliner	34	110-5331	1	Spring-Compression
18	104-8300	5	Nut-Flange, NI	35	32144-87	4	Screw-HWHTF
19	108-7605	1	Cover-RH	38	322-7	1	Screw-HH
20	108-7604	1	Cover-LH	39	117-2385	1	Decal-Console, Upper
21	3290-134	2	Screw	40	117-0170	1	Decal-Controls



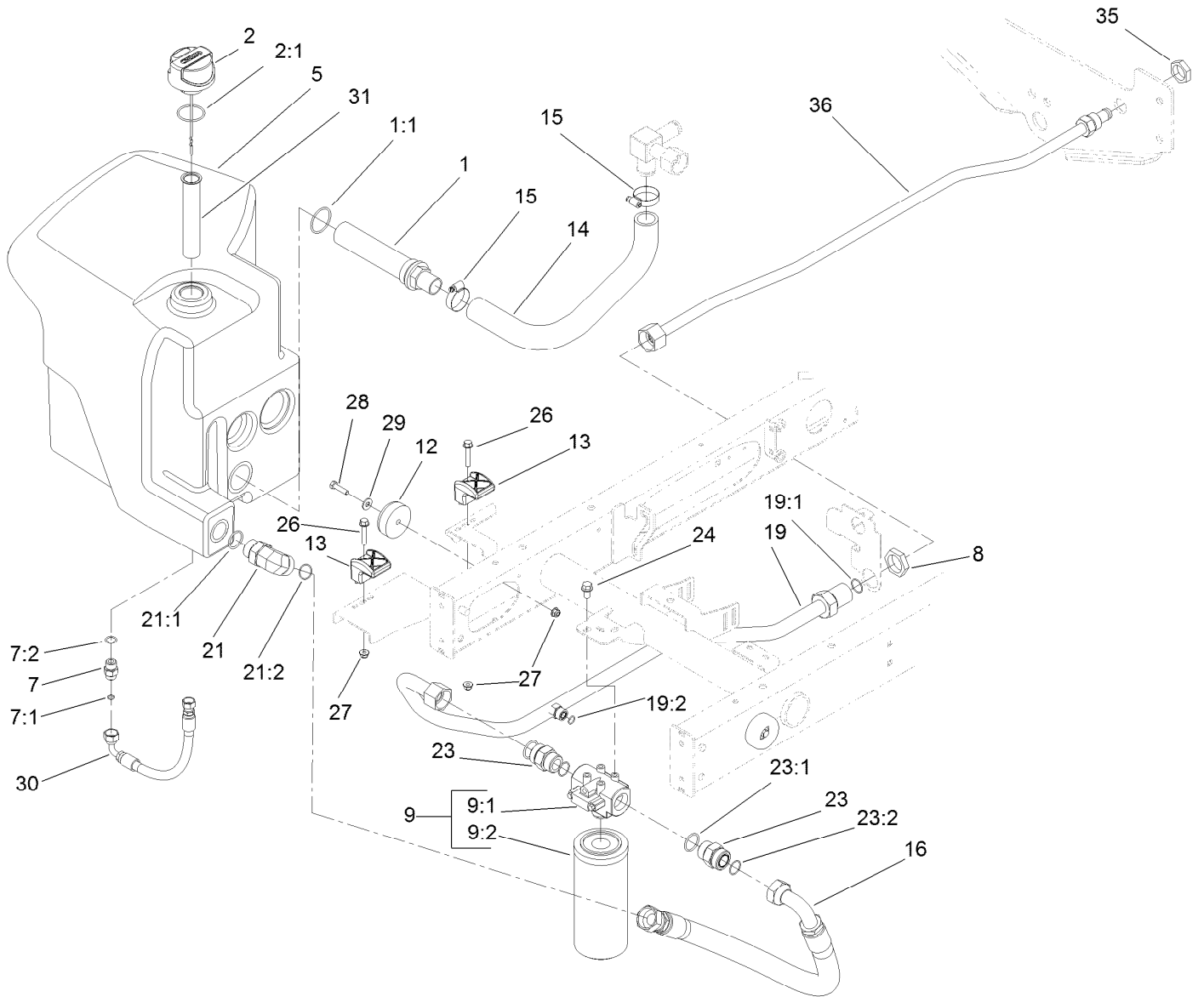
Console and Control Arm Assembly (continued)

<i>Ref.</i>	<i>Part Number</i>	<i>Qty.</i>	<i>Description</i>	<i>Ref.</i>	<i>Part Number</i>	<i>Qty.</i>	<i>Description</i>
41	283-88	1	Pin-Clevis	51	114-0446	1	Panel-Access
42	112-9181	1	Plate-Boot	52	110-8911	1	Seal-Foam
43	114-3321	1	Controller-Tec	53	110-8912	1	Seal-Foam
44	110-5314	1	Latch	54	110-8856	1	Spacer
45	3256-23	1	Washer-Flat	55	3272-1	1	Pin-Cotter
46	3272-10	1	Pin-Cotter	56	283-73	1	Pin-Clevis
47	32144-18	2	Screw-HWH	57	3250-22	1	Screw-PPH
48	4-2390	2	Washer-Flat	58	117-0171	1	Overlay-Diagnostics
49	3234-29	2	Screw-HHF	60	99-8970	1	Key-Latch, Hood
50	108-7602	1	Rest-Arm	61	32144-86	4	Screw-HWHTF



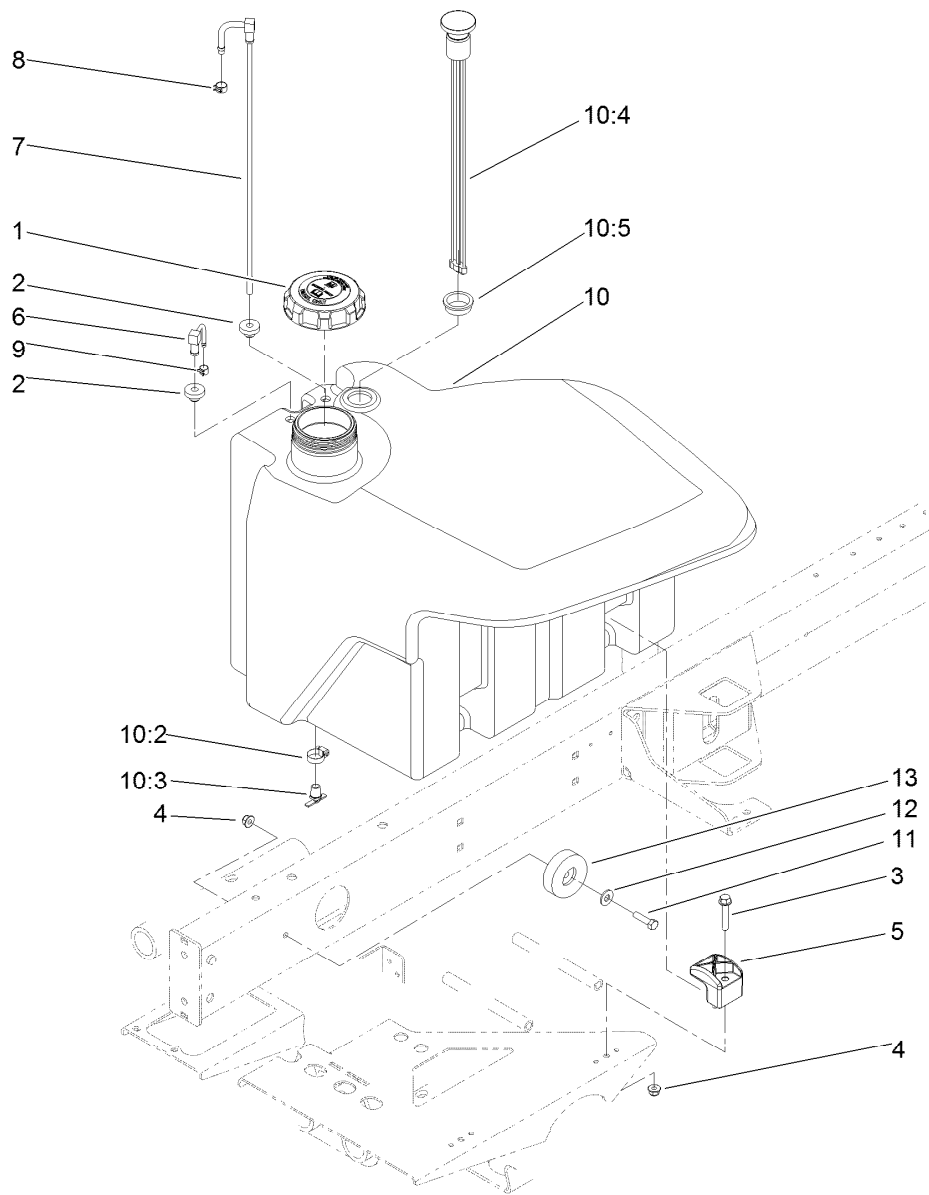
Joystick Bracket Assembly No. 120-5280

<i>Ref.</i>	<i>Part Number</i>	<i>Qty.</i>	<i>Description</i>
1	115-5357-03	1	Bracket-Joystick
2	106-4192	1	Spacer
3	93-5547	2	Bushing-Nylon
4	119-3540	1	Hub-Pivot, Joystick
5	105-8289	1	Spring-Torsion
6	106-4193	2	Washer-Finger, Spring
7	322-9	1	Screw-HH
8	3296-29	1	Nut-Lock, NI
9	3290-354	2	Nut-Speed
10	108-6496	2	Switch (W/Boot)
11	95-3003	4	Screw-PPHTF
12	3256-3	1	Washer-Flat



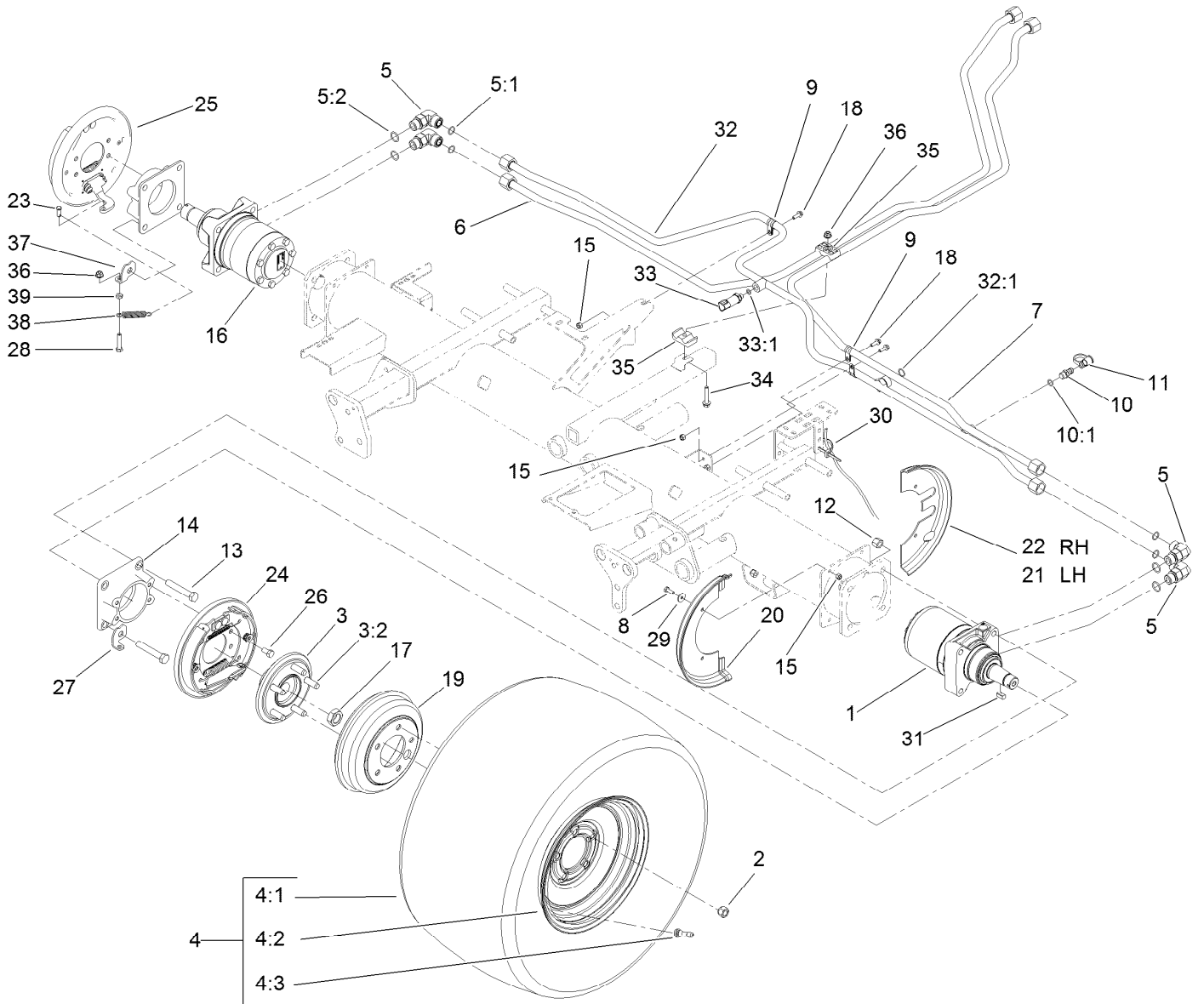
Hydraulic Tank Assembly

Ref.	Part Number	Qty.	Description	Ref.	Part Number	Qty.	Description
1	105-0131	1	Strainer-Tank, Oil	19	108-1699	1	Tube ASM
1:1	340-136	1	O-Ring	19:1	340-65	1	O-Ring
2	117-0193	1	Cap-Hydraulic, Vented Breather	19:2	237-30	1	O-Ring
2:1	237-101	1	O-Ring	21	340-129	1	Fitting-HYD, 90 DEG
5	114-0392	1	Tank-Hydraulic	21:1	237-146	1	O-Ring
7	340-3	1	Adapter	21:2	340-65	1	O-Ring
7:1	237-22	1	O-Ring	23	104-3797	2	Fitting-HYD, Straight
7:2	237-79	1	O-Ring	23:1	237-146	1	O-Ring
8	340-128	1	Nut-Bulkhead	23:2	340-65	1	O-Ring
9	98-3923	1	Oil Filter ASM	24	3234-1	2	Screw-HHF
9:1	104-0080	1	Filter Head ASM	26	94-5780	2	Screw-HWH
9:2	94-2621	1	Element-Filter	27	104-8300	3	Nut-Flange, NI
12	108-1605	1	Bumper-Recess	28	322-6	1	Screw-HH
13	107-4543	2	Clamp	29	3256-3	1	Washer-Flat
14	108-1685	1	Hose-Formed	30	66-8490	1	Hose-HYD
15	2412-111	2	Clamp	31	61-2790	1	Filter-Screen
16	108-1689	1	Hose-HYD	35	340-126	1	Nut-Bulkhead
				36	108-1691	1	Tube ASM



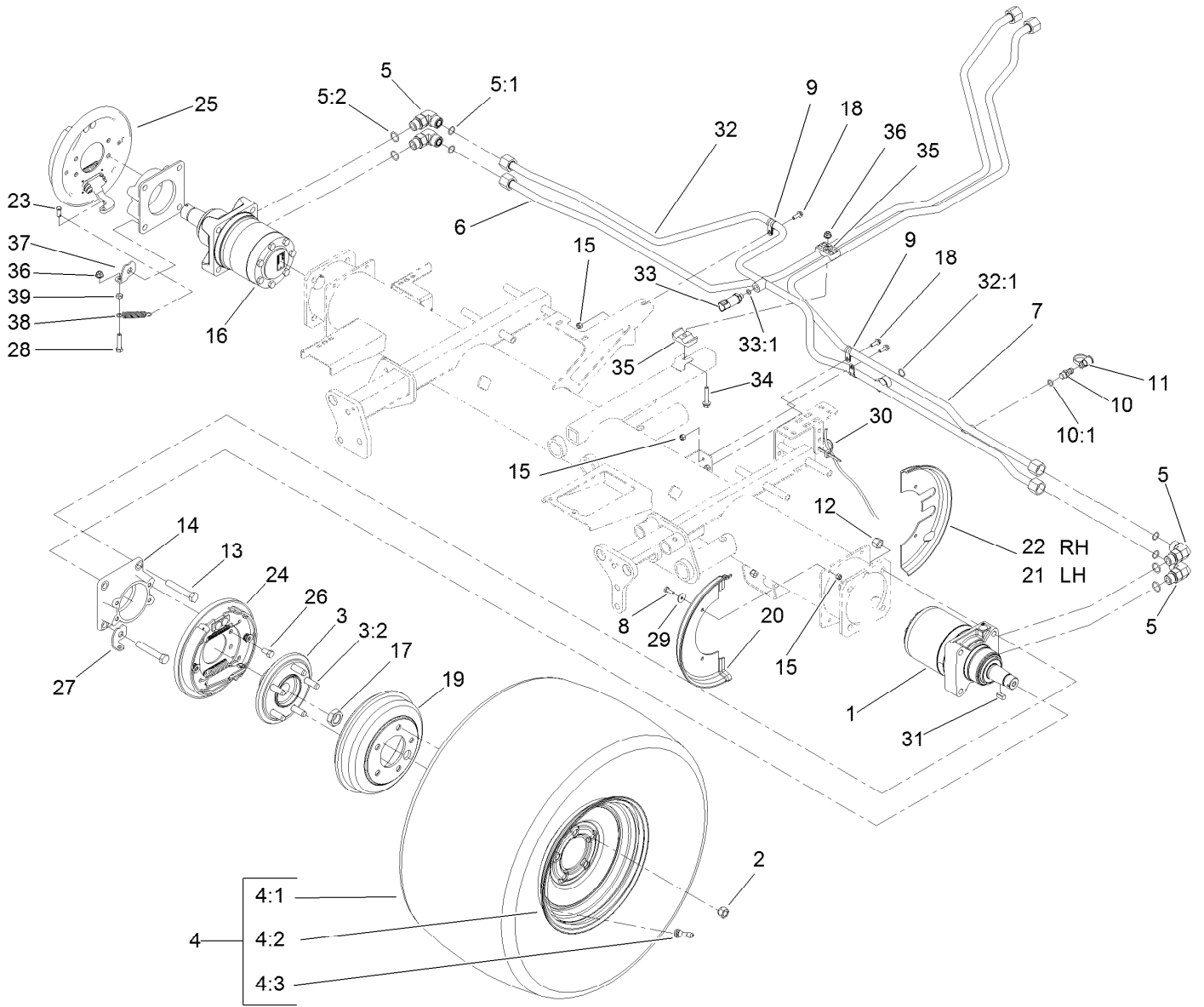
Fuel Tank Assembly

<i>Ref.</i>	<i>Part Number</i>	<i>Qty.</i>	<i>Description</i>	<i>Ref.</i>	<i>Part Number</i>	<i>Qty.</i>	<i>Description</i>
1	114-5062	1	Cap-Biodiesel	10	117-0114	1	Fuel Tank ASM
2	46-6560	2	Bushing	10:2	2412-36	1	Clamp-Hose
3	94-5780	2	Screw-HWH	10:3	304-46	1	Draincock
4	104-8300	3	Nut-Flange, NI	10:4	108-1640	1	Gauge-Fuel
5	107-4543	2	Clamp	10:5	95-8972	1	Grommet
6	108-1643	1	Fitting-Return	11	322-6	1	Screw-HH
7	110-9031	1	Fitting-Suction	12	3256-3	1	Washer-Flat
8	92-2379	1	Clamp-Hose	13	108-1605	1	Bumper-Recess
9	2412-80	1	Clamp-Hose				



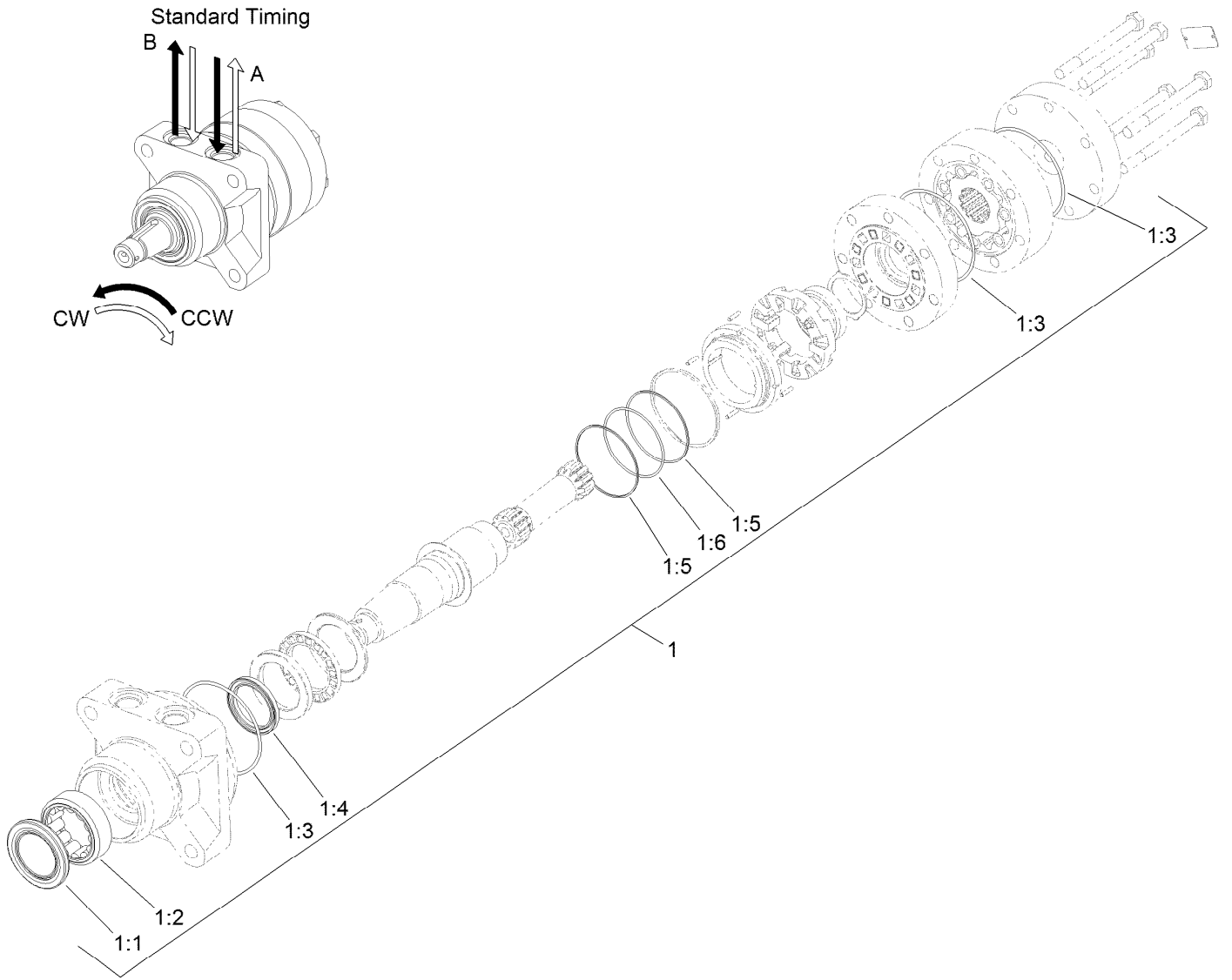
Front Wheel, Brake and Hydraulic Motor Assembly

Ref.	Part Number	Qty.	Description	Ref.	Part Number	Qty.	Description
1	120-6264	1	Hydraulic Motor ASM (CCW)	15	3296-42	11	Nut-Lock, NI
2	242-50	10	Nut-Lug	16	120-6265	1	Hydraulic Motor ASM (CW)
3	120-6255	2	Hub ASM	17	117-3290	2	Nut-Hex
3:2	10-6830	5	Stud-Type, Drive	18	3234-4	3	Screw-HHF
4	117-5194	2	Tire ASM	19	114-8864	2	Drum-Brake
4:1	117-5196	1	Tire	20	110-0950	2	Shield-Wheel, Front
4:2	117-5197	1	Wheel	21	110-0951	1	Shield-Wheel, Rear (LH)
4:3	232-27	1	Stem-Valve	22	110-8878	1	Shield-Wheel, Rear (RH)
5	340-17	4	Fitting-HYD, 90 DEG	23	283-62	2	Pin-Clevis
5:1	237-65	1	O-Ring	24	120-6261	1	LH Brake ASM
5:2	237-80	1	O-Ring	25	120-6260	1	RH Brake ASM
6	114-0425	1	Hydraulic Tube ASM	26	323-4	8	Screw-HH
7	114-0424	1	Hydraulic Tube ASM	27	120-6267	1	Clip-Spring, LH
8	321-4	8	Screw-HH	28	322-7	2	Screw-HH
9	2412-134	3	Clamp-R	29	3256-67	8	Washer-Flat
10	59-7410	1	Fitting-Diagnostic	30	3290-378	2	Tie-Cable
10:1	237-42	1	O-Ring	31	117-5198	2	Key-Square
11	354-79	1	Cap-Dust	32	114-0389	1	Hydraulic Tube ASM
12	3296-23	8	Nut-Lock, NI	32:1	237-65	1	O-Ring
13	325-12	8	Screw-HH	33	119-0011	1	Pressure Transducer ASM
14	120-6253-03	2	Adapter-Brake	33:1	237-78	1	O-Ring



Front Wheel, Brake and Hydraulic Motor Assembly (continued)

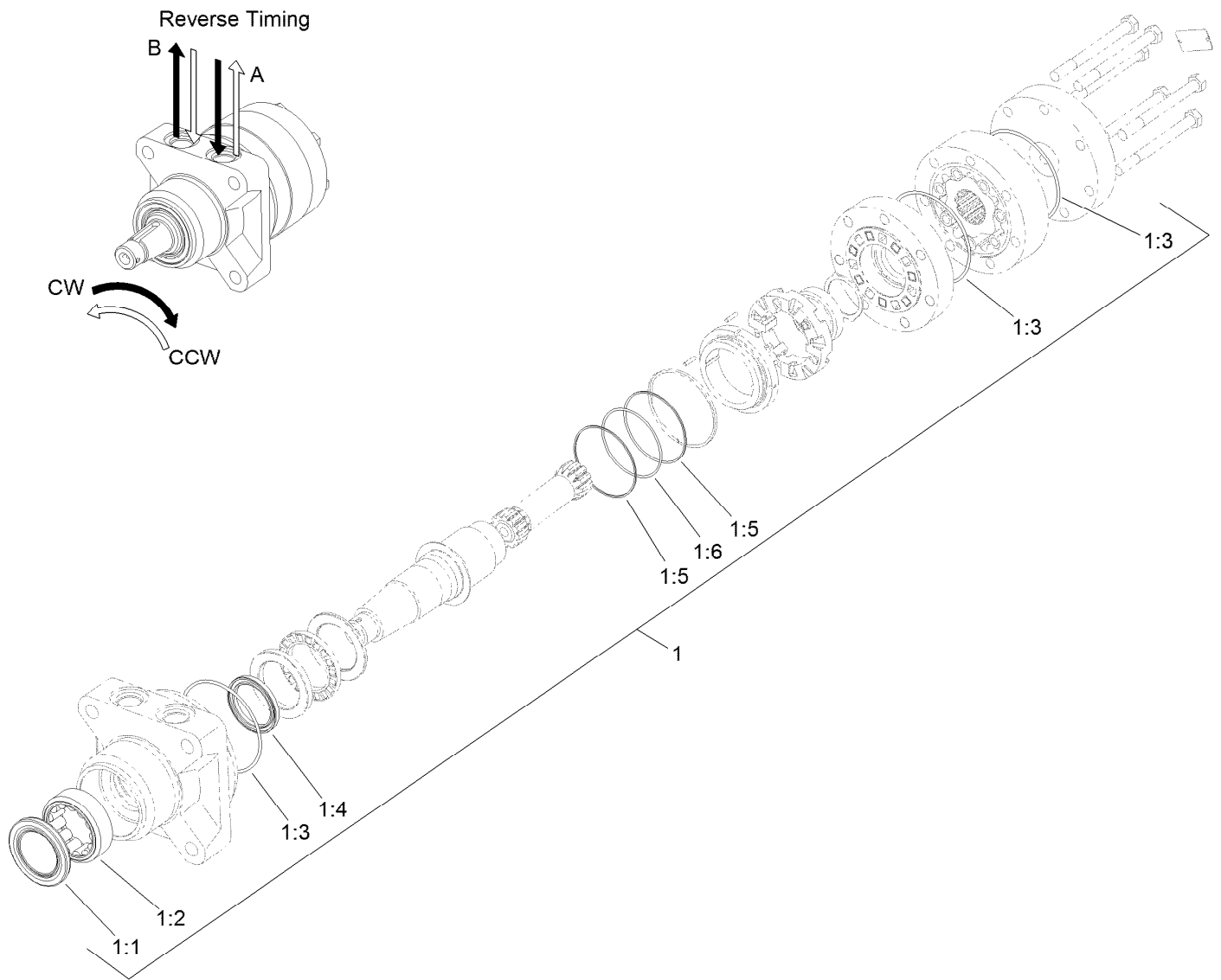
Ref.	Part Number	Qty.	Description	Ref.	Part Number	Qty.	Description
34	94-5780	1	Screw-HWH	37	120-6266	1	Clip-Spring, RH
35	56-7971	2	Clamp-Tube	38	87-4020	2	Spring-Extension
36	104-8300	3	Nut-Flange, NI	39	3218-2	2	Nut-Jam



Hydraulic Motor Assembly No. 120-6264

Ref.	Part Number	Qty.	Description
1	120-6268	1	Seal Kit
1:1		1	Seal-Grease ●
1:2		1	Shell-Bearing ●
1:3		3	O-Ring ●
1:4		1	Seal-Shaft ●
1:5		2	Ring-Back Up ●
1:6		1	O-Ring ●

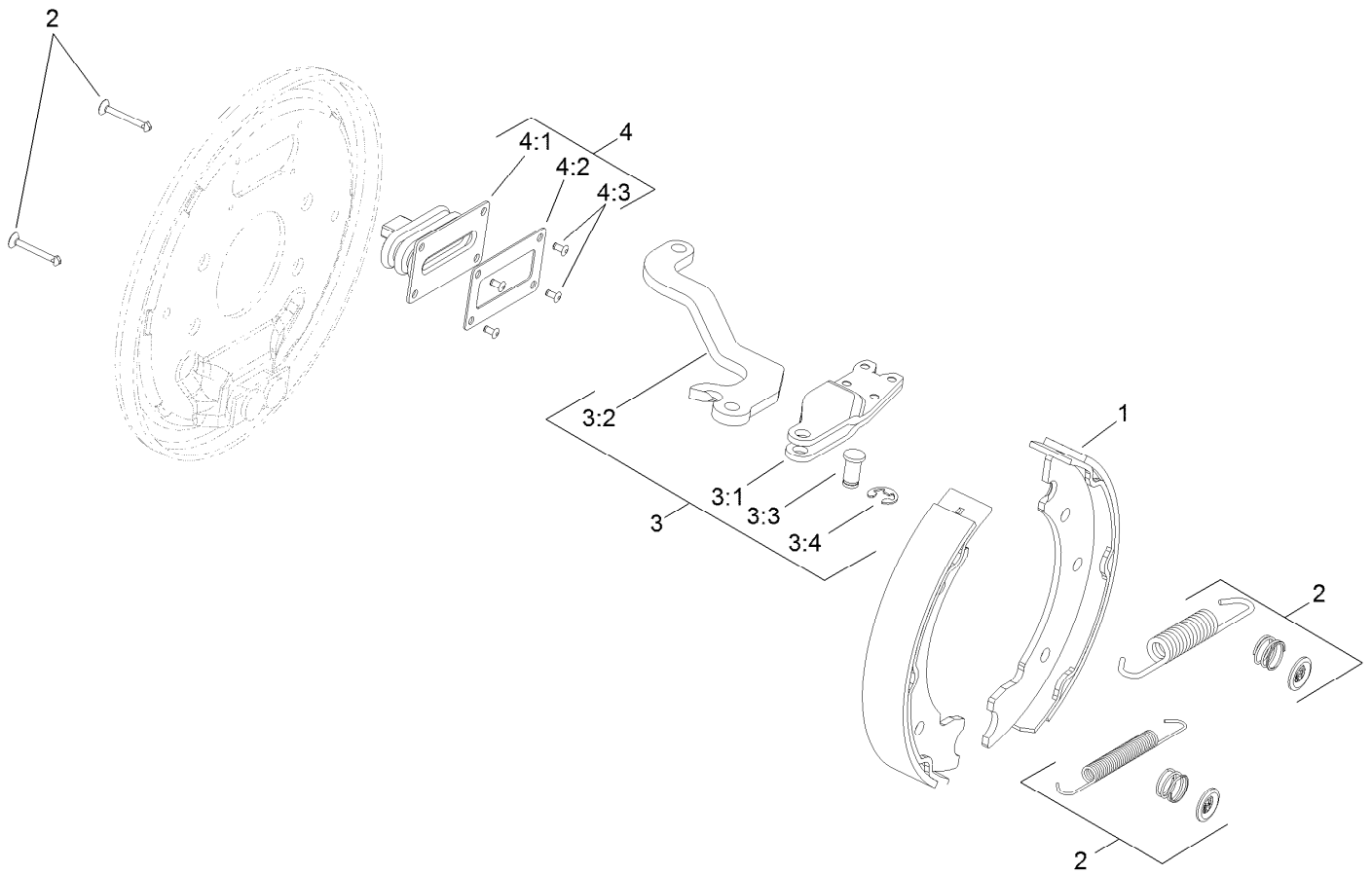
● Not serviced separately



Hydraulic Motor Assembly No. 120-6265

Ref.	Part Number	Qty.	Description
1	120-6268	1	Seal Kit
1:1		1	Seal-Grease ●
1:2		1	Shell-Bearing ●
1:3		3	O-Ring ●
1:4		1	Seal-Shaft ●
1:5		2	Ring-Back Up ●
1:6		1	O-Ring ●

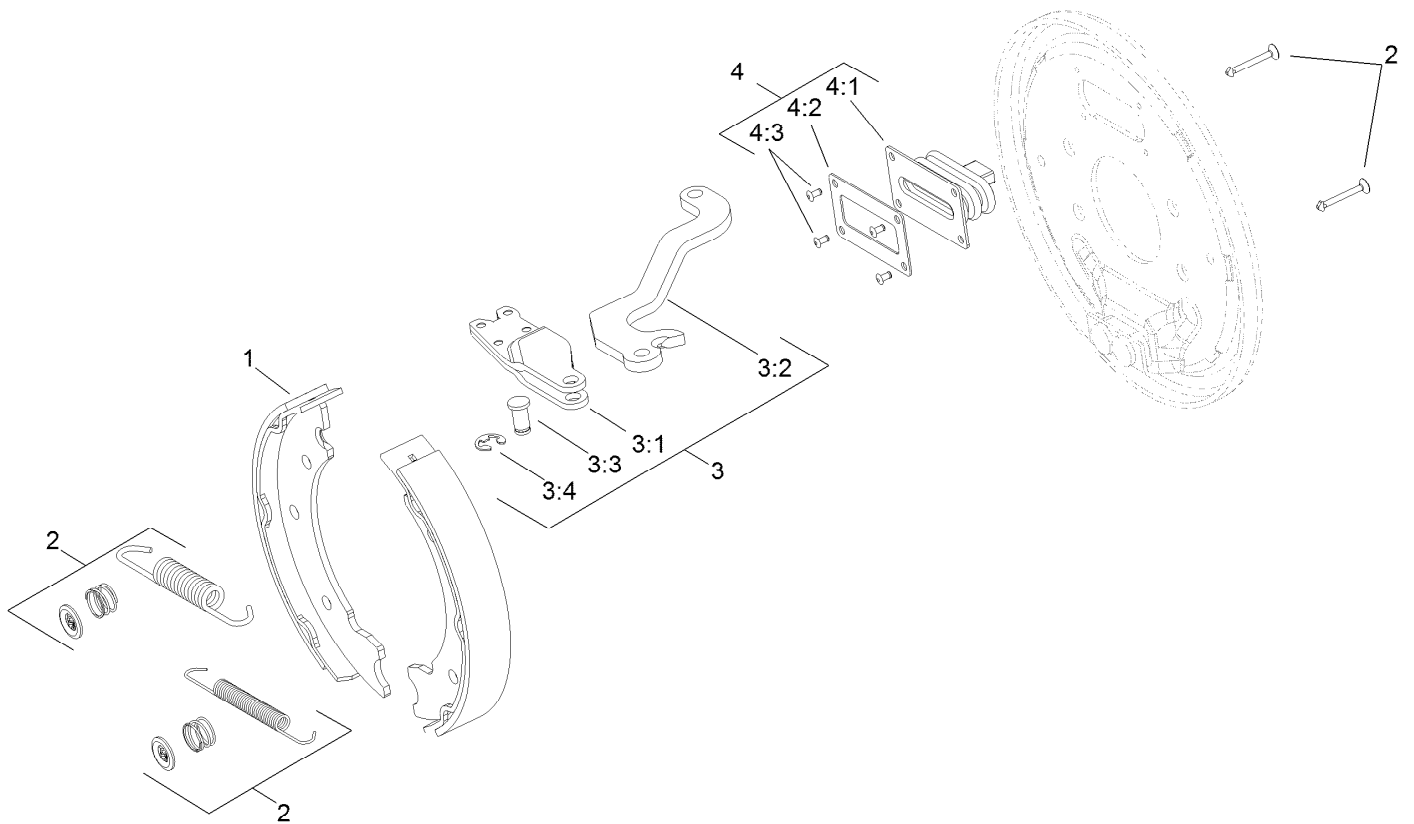
● Not serviced separately



LH Brake Assembly No. 120-6261

Ref.	Part Number	Qty.	Description
1	108-6981	1	Brake Shoe Kit
2	108-6983	1	Brake Hardware Kit
3	110-8910	1	LH Actuator Kit
3:1		1	Housing ●
3:2		1	Lever-LH ●
3:3		1	Pin-Pivot ●
3:4		1	E-Ring ●
4	110-8885	1	Dust Boot Kit
4:1		1	Boot ●
4:2		1	Plate-Back Up ●
4:3		2	Rivet ●

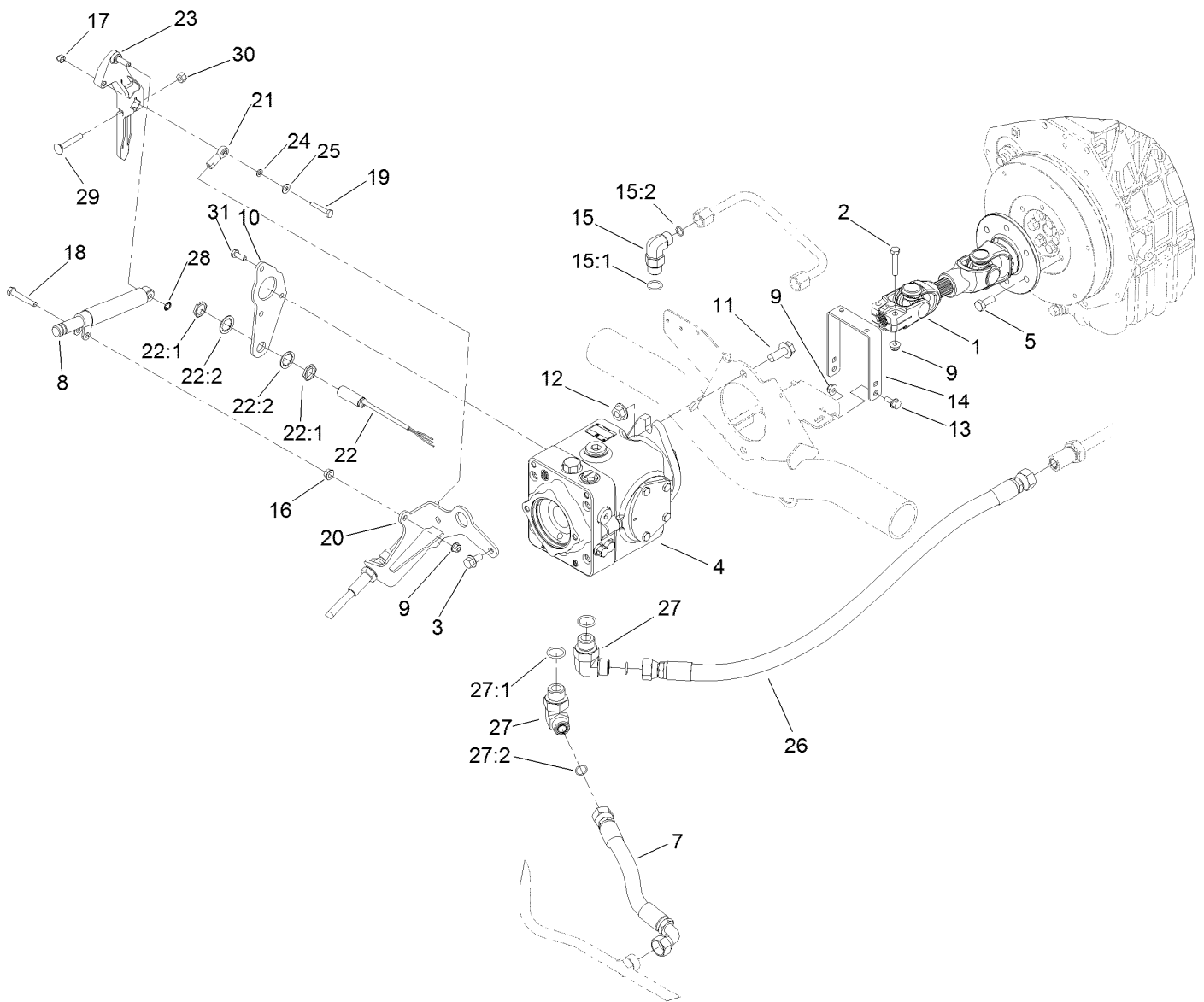
● Not serviced separately



RH Brake Assembly No. 120-6260

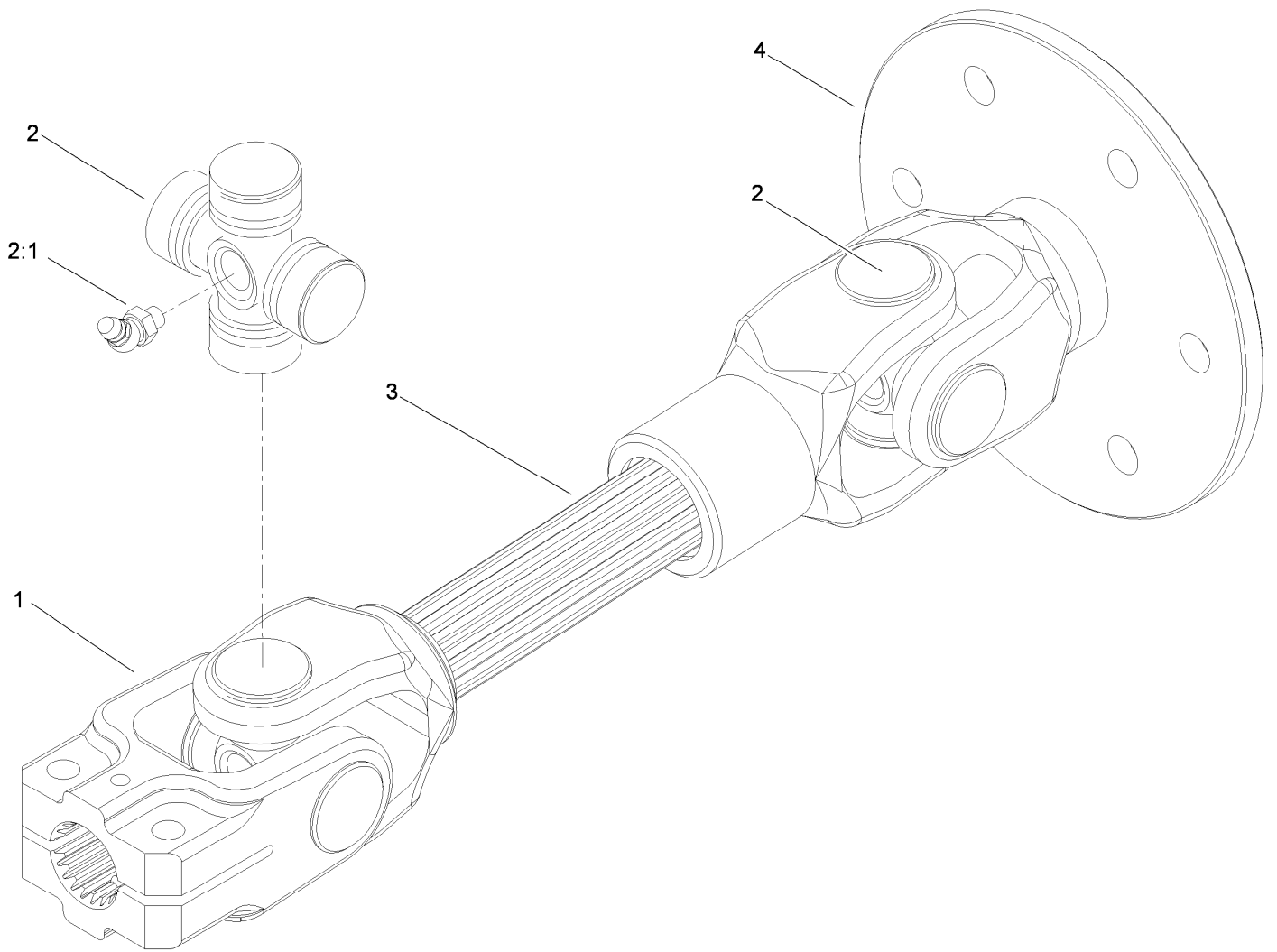
Ref.	Part Number	Qty.	Description
1	108-6981	1	Brake Shoe Kit
2	108-6983	1	Brake Hardware Kit
3	110-8884	1	RH Actuator Kit
3:1		1	Housing ●
3:2		1	Lever-RH ●
3:3		1	Pin-Pivot ●
3:4		1	E-Ring ●
4	110-8885	1	Dust Boot Kit
4:1		1	Boot ●
4:2		1	Plate-Back Up ●
4:3		2	Rivet ●

● Not serviced separately



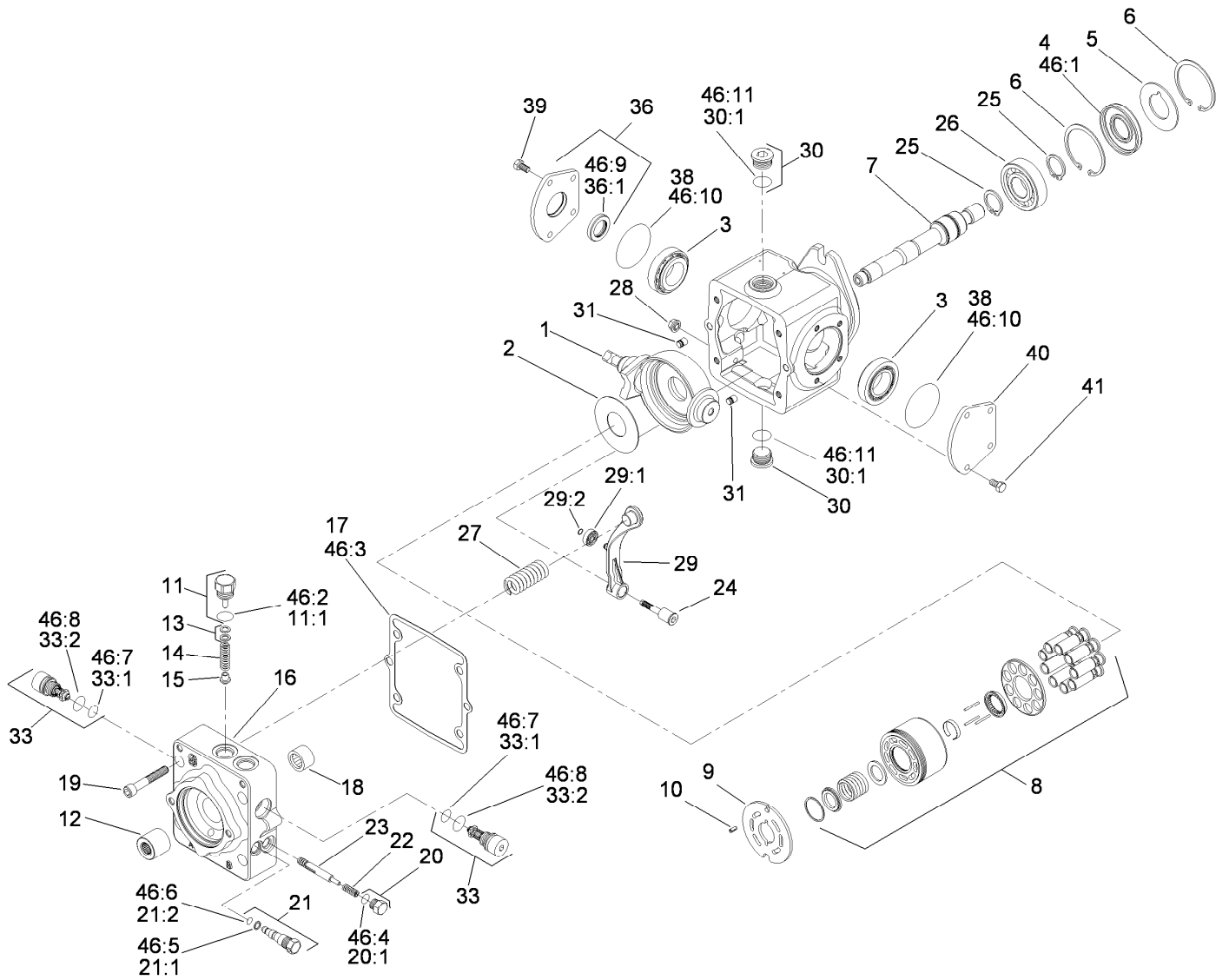
Driveshaft and Variable Pump Hydraulic Fitting Assembly

Ref.	Part Number	Qty.	Description	Ref.	Part Number	Qty.	Description
1	108-1641	1	Driveshaft ASM	18	322-10	1	Screw-HH
2	322-9	2	Screw-HH	19	321-9	1	Screw-HH
3	3234-1	2	Screw-HHF	20	110-5323-03	1	Bracket
4	119-6972	1	HYD Variable Pump ASM	21	2411-41	1	Rod End-Ball Joint
5	43-0090	6	Screw-HH	22	115-5300	1	Proximity Switch ASM
7	108-1679	1	Hose-HYD	22:1	117-3207	2	Nut-Hex
8	76-8870	1	Damper-Lever	22:2	117-3208	2	Washer-Lock, Internal Tooth
9	104-8300	5	Nut-Flange, NI	23	117-0265	1	Lever-Pump
10	119-6971-03	1	Plate-Pump	24	33093-00	1	Washer-Flat
11	3234-38	2	Screw-HHF	25	3256-22	1	Washer-Flat
12	32128-49	2	Nut-HHF	26	108-7645	1	Hose-HYD
13	3234-5	2	Screw-HHF	27	340-139	2	Fitting-HYD, 90 DEG
14	108-1799-03	1	Hoop-Guard	27:1	237-81	1	O-Ring
15	340-105	1	Fitting-HYD, 90 DEG	27:2	237-65	1	O-Ring
15:1	237-80	1	O-Ring	28	32151-72	1	Ring-Retaining
15:2	237-30	1	O-Ring	29	3230-6	1	Screw-CARR
16	32128-20	1	Nut-HF	30	3296-29	1	Nut-Lock, NI
17	3296-42	2	Nut-Lock, NI	31	33114-020	3	Screw-HH



Driveshaft Assembly No. 108-1641

<i>Ref.</i>	<i>Part Number</i>	<i>Qty.</i>	<i>Description</i>
1	54-9040	1	Yoke-End
2	54-9180	2	U-Joint Kit
2:1	62-3820	1	Fitting-Grease
3	108-4574	1	Joint And Shaft ASM
4	108-4575	1	Joint And Yoke ASM

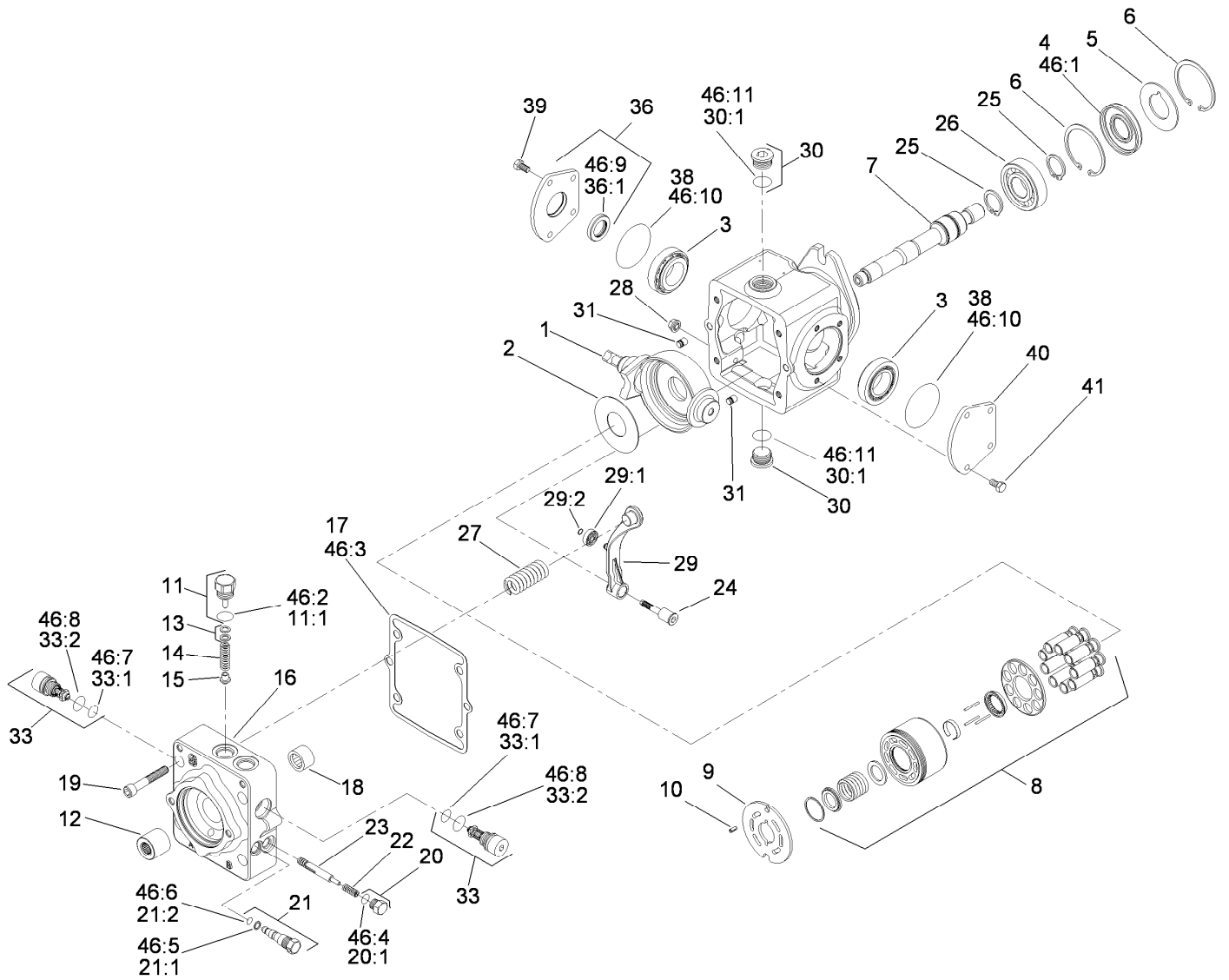


Hydraulic Pump Assembly No. 119-6972

Ref.	Part Number	Qty.	Description	Ref.	Part Number	Qty.	Description
1	115-8092	1	Swashplate	18	75-0500	1	Bearing-Needle
2	75-0400	1	Plate-Thrust	19	110-6489	4	Screw
3	110-6483	2	Bearing Kit	20	94-9415	2	Plug ASM
4	110-6471	1	Seal-Lip	20:1		1	O-Ring ■
5	95-4400	1	Washer-Backup	21	107-4364	1	Bypass Valve ASM
6	69-3200	2	Ring-Retaining	21:1	25-2630	1	Ring-Back Up
7	110-6484	1	Shaft-Auxiliary	21:2	110-6498	1	O-Ring
8	110-6472	1	Cylinder Block Kit	22	110-6491	2	Spring
9	110-6473	1	Plate-Valve (Clockwise)	23	110-6492	1	Spool-Loop, Flush
10	110-6485	1	Pin-Slotted	24	110-6493	1	Pivot-Return, Neutral
11	110-6486	1	Plug-Relief, Charge	25	69-3170	2	Ring-Retaining
11:1	28-3570	1	O-Ring	26	75-0460	1	Bearing-Ball
12	110-6480	1	Coupling	27	115-8085	1	Spring-Neutral Return
13	92-1353	1	Shim Kit	28	110-6496	1	Nut-Seal
14	110-6474	1	Spring	29	110-6497	1	Neutral Return Arm ASM
15	110-6475	1	Poppet	29:1	110-6494	1	Bearing-Cam
16	115-8087	1	Cap-End	29:2	110-3056	1	Ring-Retaining
17	110-6476	1	Gasket-Cap, End	30	69-3130	2	Plug

● Not illustrated

■ Not serviced separately

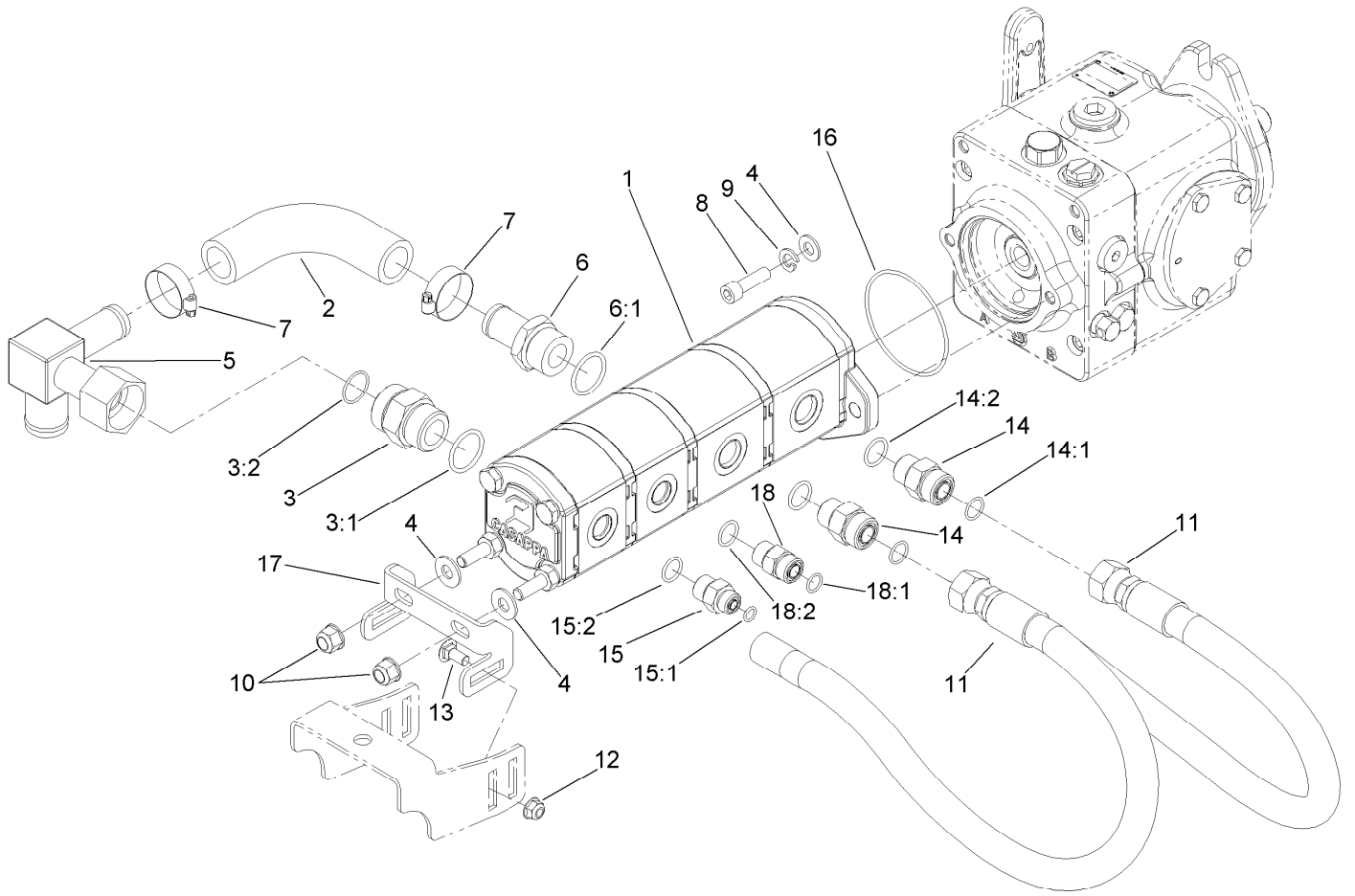


Hydraulic Pump Assembly No. 119-6972 (continued)

Ref.	Part Number	Qty.	Description	Ref.	Part Number	Qty.	Description
30:1		1	O-Ring ■	46:1	110-6471	1	Seal-Lip
31	112-0158	2	Pin	46:2	28-3570	1	O-Ring
33	110-6477	2	Valve-Relief	46:3	110-6476	1	Gasket-Cap, End
33:1	75-0240	1	O-Ring	46:4		1	O-Ring ■
33:2	84-0560	1	O-Ring	46:5	25-2630	1	Ring-Back Up
36	110-6499	1	Trunnion Cover ASM	46:6	110-6498	1	O-Ring
36:1	110-6478	1	Seal-Lip	46:7	75-0240	2	O-Ring
38	84-0430	2	O-Ring	46:8	84-0560	2	O-Ring
39	112-0150	4	Screw	46:9	110-6478	1	Seal-Lip
40	84-0440	1	Cover-Trunnion	46:10	84-0430	2	O-Ring
41	112-0151	4	Screw	46:11		2	O-Ring ■
46	110-6481	1	Seal Kit ●				

● Not illustrated

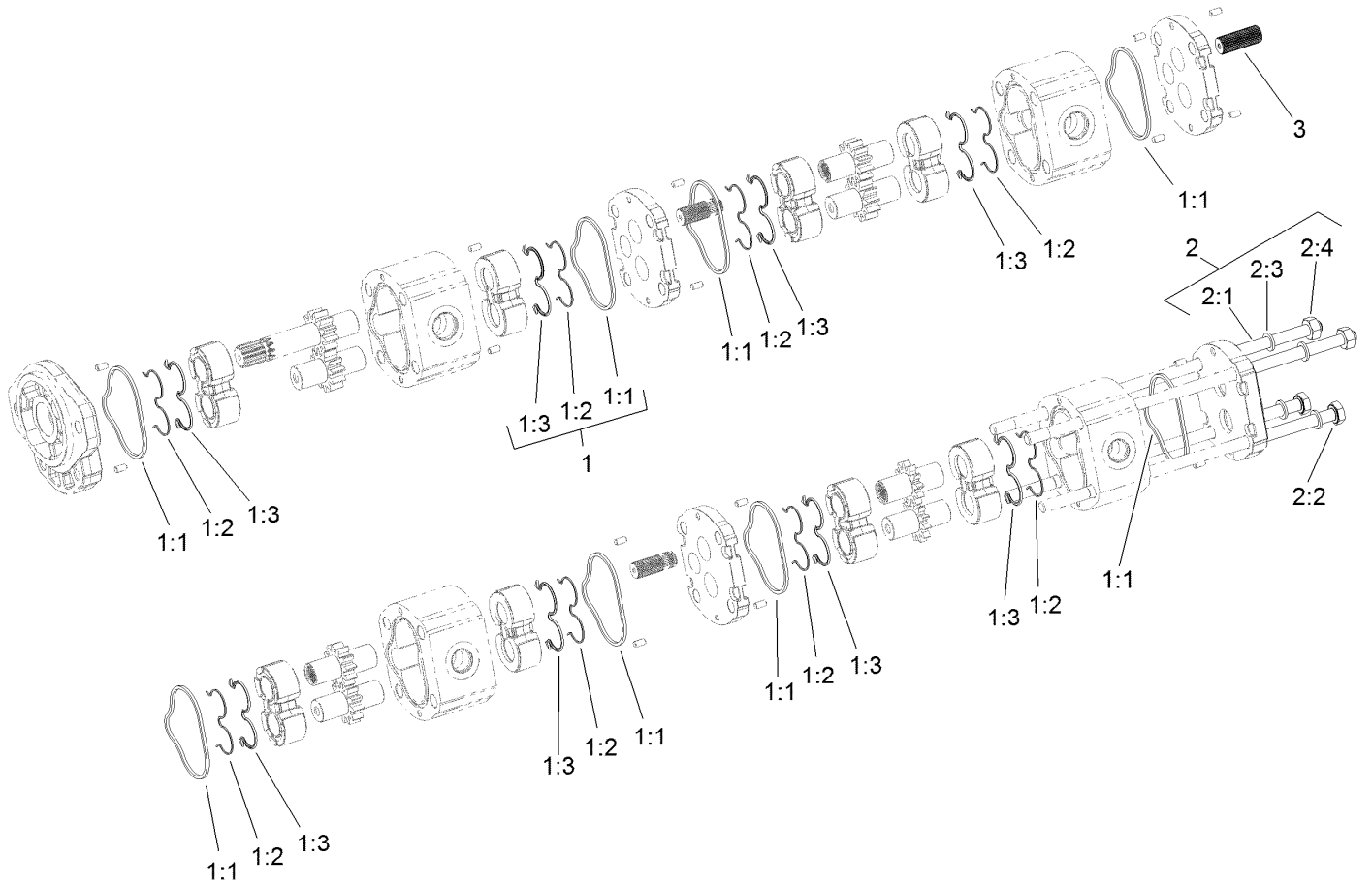
■ Not serviced separately



Gear Pump Hydraulic Plumbing Assembly

<i>Ref.</i>	<i>Part Number</i>	<i>Qty.</i>	<i>Description</i>
1	108-4003	1	Gear Pump ASM
2	108-1683	1	Hose-Formed
3	104-3797	1	Fitting-HYD, Straight
3:1	237-146	1	O-Ring
3:2	340-65	1	O-Ring
4	3256-24	4	Washer-Flat
5	108-1672	1	Manifold-Tube
6	354-78	1	Connector-Hose
6:1	237-146	1	O-Ring
7	2412-34	2	Clamp-Hose
8	3274-1	2	Screw-HSH
9	3253-5	2	Washer-Lock
10	103-9511	2	Nut-Lock
11	108-1686	2	Hose-HYD

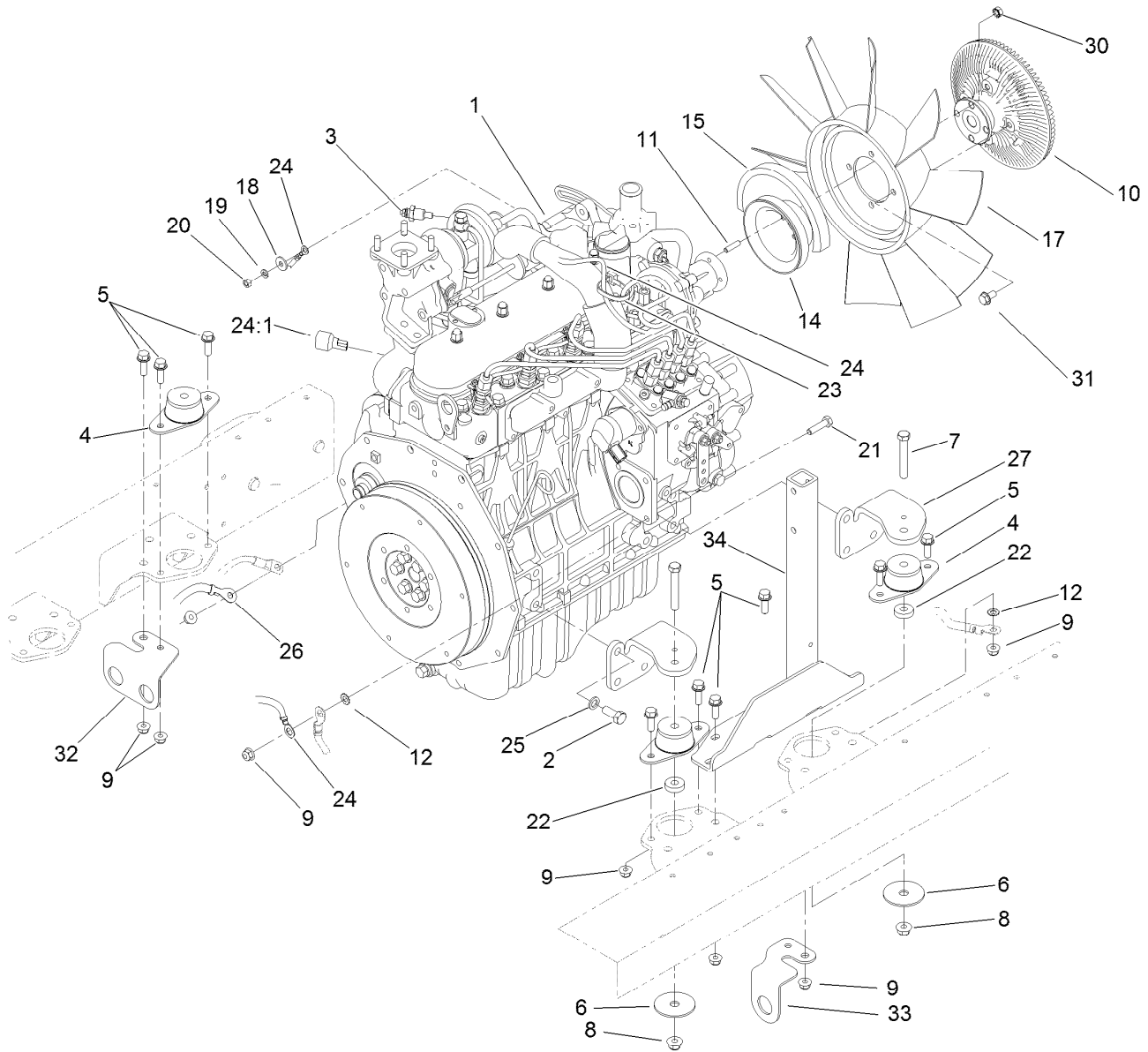
<i>Ref.</i>	<i>Part Number</i>	<i>Qty.</i>	<i>Description</i>
12	104-8300	2	Nut-Flange, NI
13	3230-1	2	Bolt-CARR
14	340-7	2	Adapter
14:1	237-65	1	O-Ring
14:2	237-80	1	O-Ring
15	340-3	1	Adapter
15:1	237-22	1	O-Ring
15:2	237-79	1	O-Ring
16	237-161	1	O-Ring
17	108-1801-01	1	Bracket-Support, Pump
18	340-4	1	Fitting-HYD, Straight
18:1	237-30	1	O-Ring
18:2	237-79	1	O-Ring



Gear Pump Assembly No. 108-4003

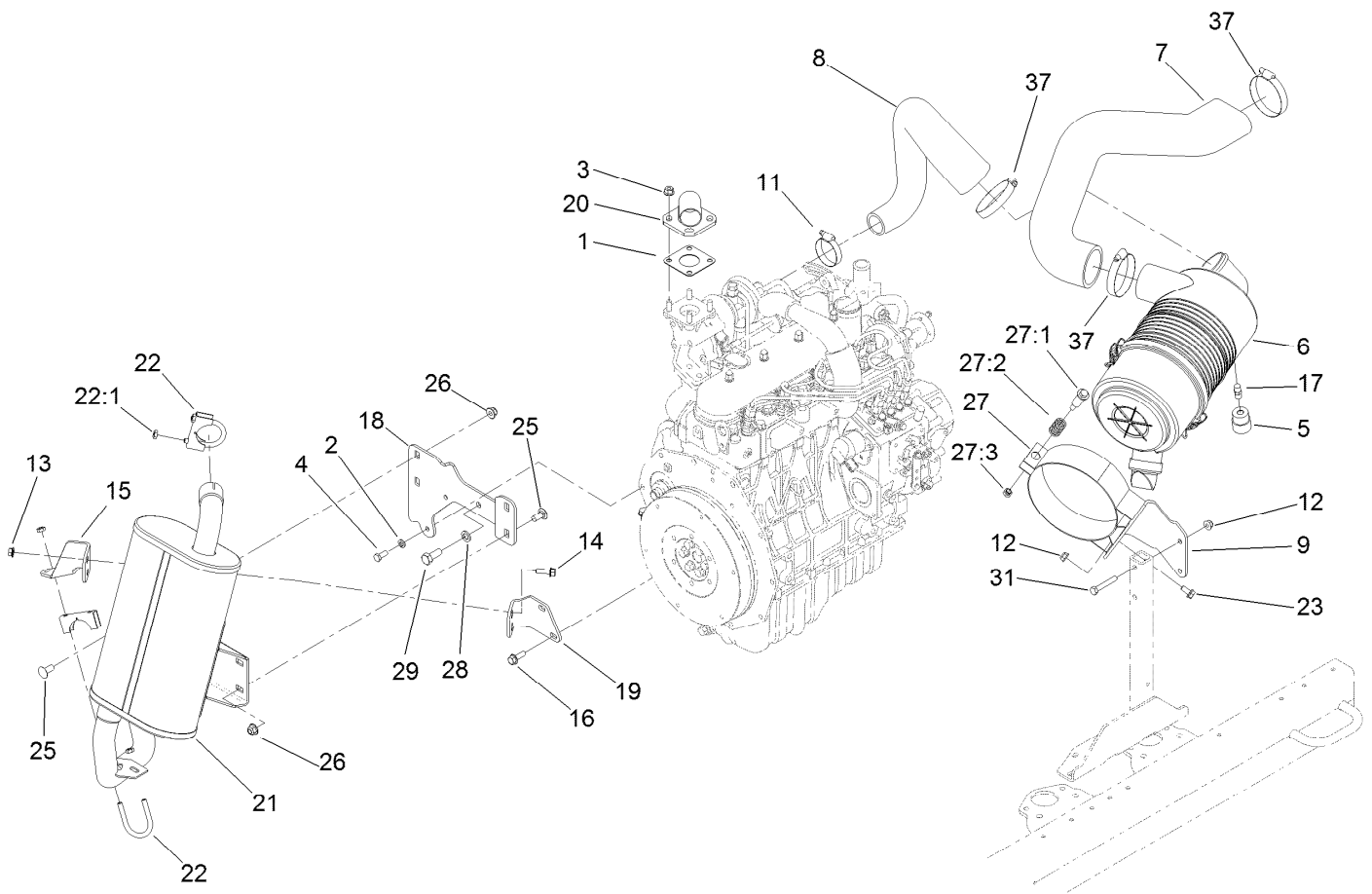
<i>Ref.</i>	<i>Part Number</i>	<i>Qty.</i>	<i>Description</i>
1	108-4595	1	Seal Kit
1:1		8	Seal ●
1:2		8	Seal ●
1:3		8	Ring-Back Up ●
2	120-6273	1	Bolt Kit
2:1		2	Stud Bolt ●
2:2		2	Screw ●
2:3		4	Washer ●
2:4		2	Nut ●
3	120-6284	3	Hub-Connecting

● Not serviced separately



Engine Mounting and Electrical Assembly

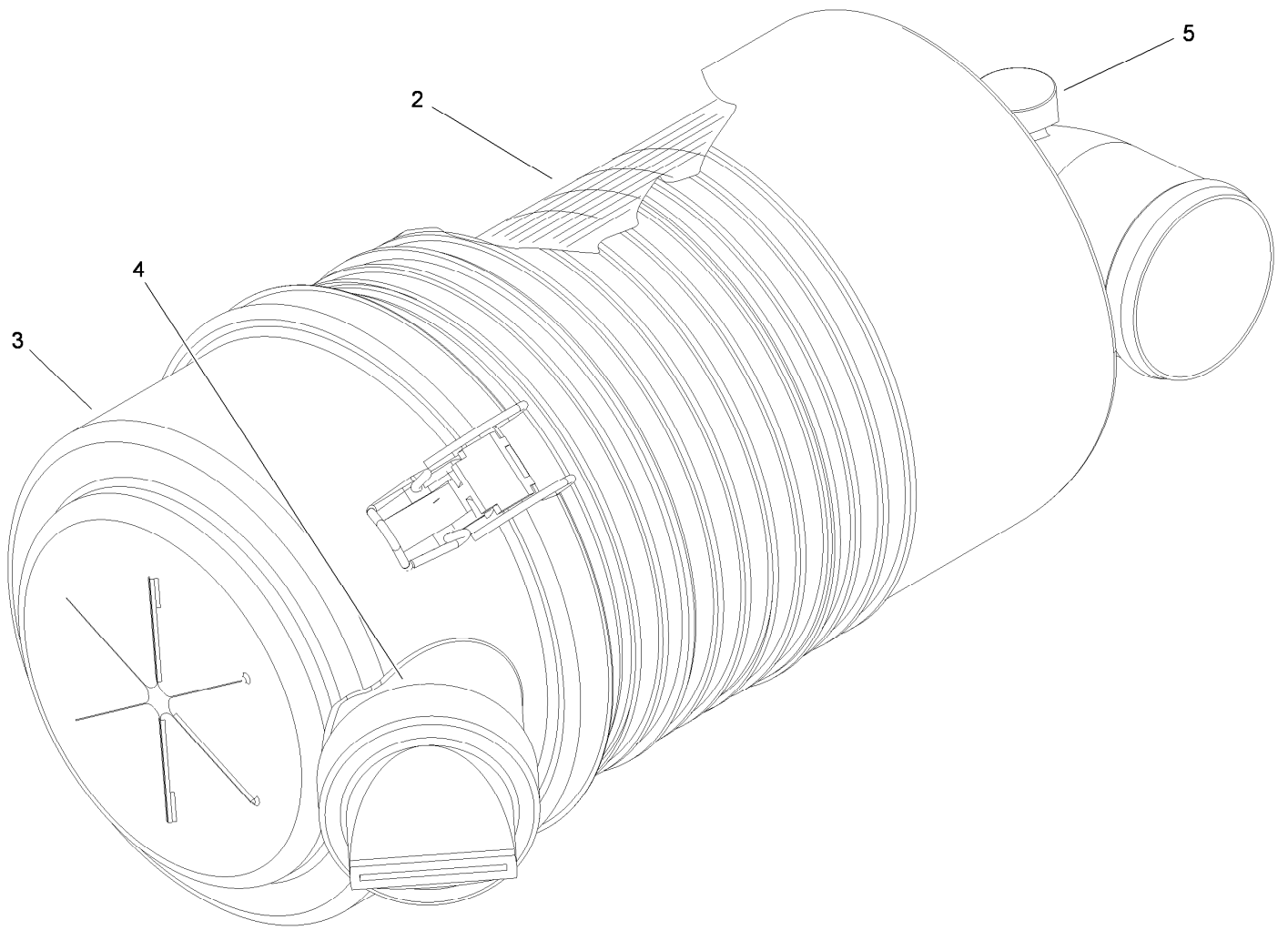
Ref.	Part Number	Qty.	Description	Ref.	Part Number	Qty.	Description
1	110-9045	1	Engine-Kubota	19	43-5930	1	Washer-Lock, Spring
2	43-0090	12	Screw-HH	20	48-7890	1	Nut-Hex
3	98-9346	1	Sender-Temperature	21	322-6	1	Screw-HH
4	107-3640	4	Mount-Engine	22	62-6660	4	Spacer
5	3234-29	13	Screw-HHF	23	3290-378	1	Tie-Cable
6	87-5100	4	Washer-Snubbing	24	106-3615	1	Harness-Wire, Engine
7	323-12	4	Screw-HH	24:1	100-4918	1	Diode-Over Molded
8	104-8301	4	Nut-Flange, NI	25	48-9590	12	Washer-Lock
9	104-8300	14	Nut-Flange, NI	26	99-3441	1	Harness-Wire, Fusible Link
10	117-8972	1	Fan Clutch ASM	27	115-8066-03	4	Mount-Engine
11	104-5222	4	Stud	30	98-5845	4	Nut-Hex
12	3255-8	2	Washer-Lock	31	3234-7	4	Screw-HHF
14	110-0972	1	Pulley	32	117-0154	1	Bracket-4Wd, RH
15	98-9676	1	V-Belt	33	117-0155	1	Bracket-4Wd, LH
17	74-3650	1	Fan	34	110-8977-03	1	Stand-Air Cleaner
18	3256-78	1	Washer-Flat				



Engine Intake and Exhaust Assembly

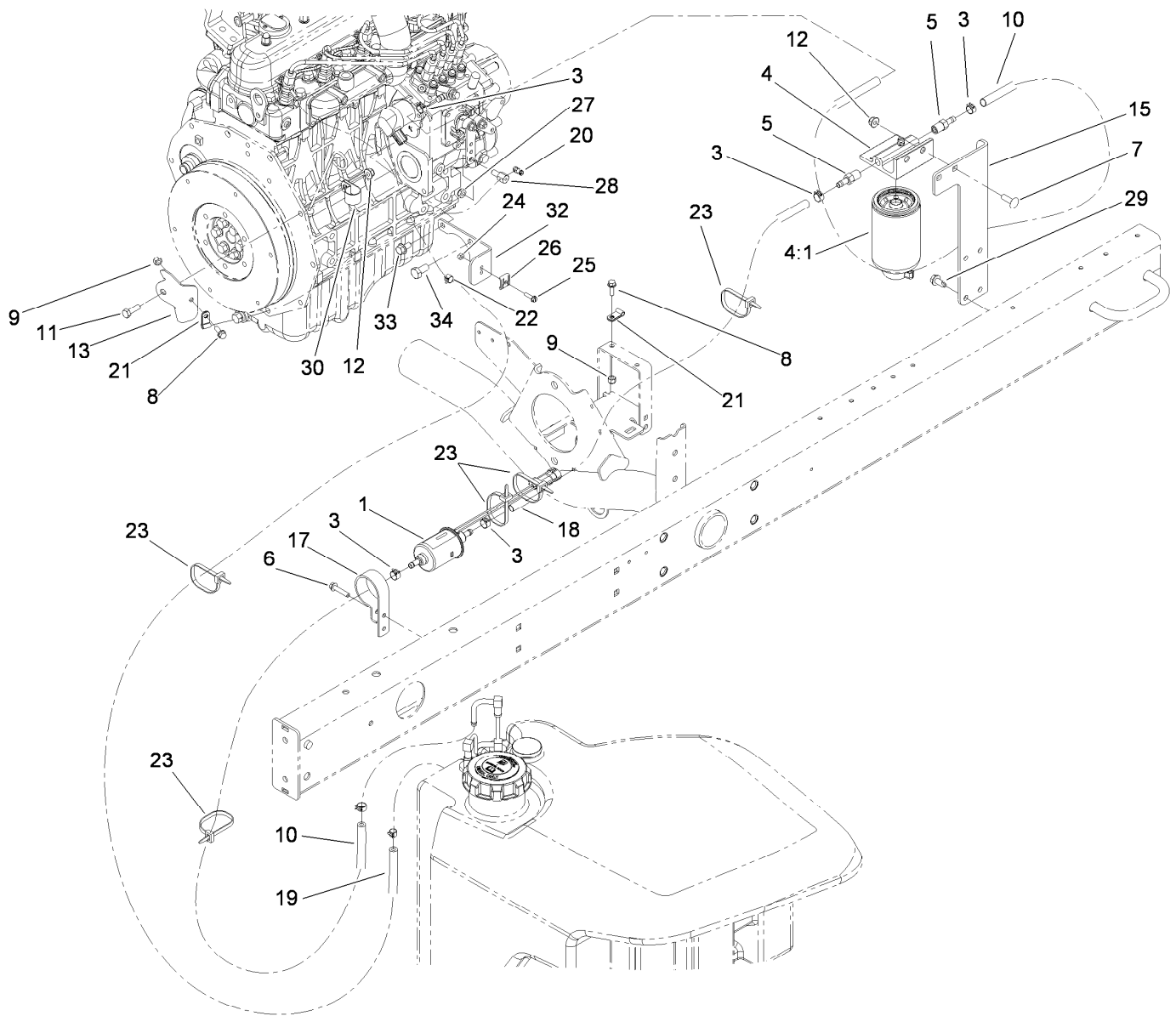
Ref.	Part Number	Qty.	Description
1	99-8343	1	Gasket-Muffler
2	3253-4	2	Washer-Lock
3	104-2612	4	Nut-HF
4	33114-020	2	Screw-HH
5	93-9164	1	Indicator-Mini
6	110-8917	1	Air Cleaner ASM
7	110-8944	1	Hose-Formed
8	117-8061	1	Hose-Turbo
9	110-8981-03	1	Bracket-Mounting
11	2412-3	1	Clamp-Hose
12	104-8300	4	Nut-Flange, NI
13	109-5715	4	Nut-HHF, Smooth
14	3234-29	2	Screw-HHF
15	117-0286	1	Bracket-Tailpipe
16	33104-025	2	Screw-HHF
17	94-1416	1	Adapter-Indicator
18	108-1785-03	1	Bracket-Support, Muffler

Ref.	Part Number	Qty.	Description
19	117-0288	1	Bracket-Tailpipe
20	108-1783	1	Header ASM
21	108-7643	1	Muffler
22	2112-9	2	Clamp
22:1	32128-20	2	Nut-HF
23	3234-14	2	Screw-HHF
25	3231-27	4	Screw-CARR
26	104-8301	4	Nut-Flange, NI
27	93-7486	1	Clamp ASM
27:1	94-3653	1	Bolt
27:2	94-3654	1	Spring
27:3	48-9510	1	Nut
28	48-9590	1	Washer-Lock
29	43-0090	1	Screw-HH
31	322-10	2	Screw-HH
37	2412-125	3	Clamp-Hose



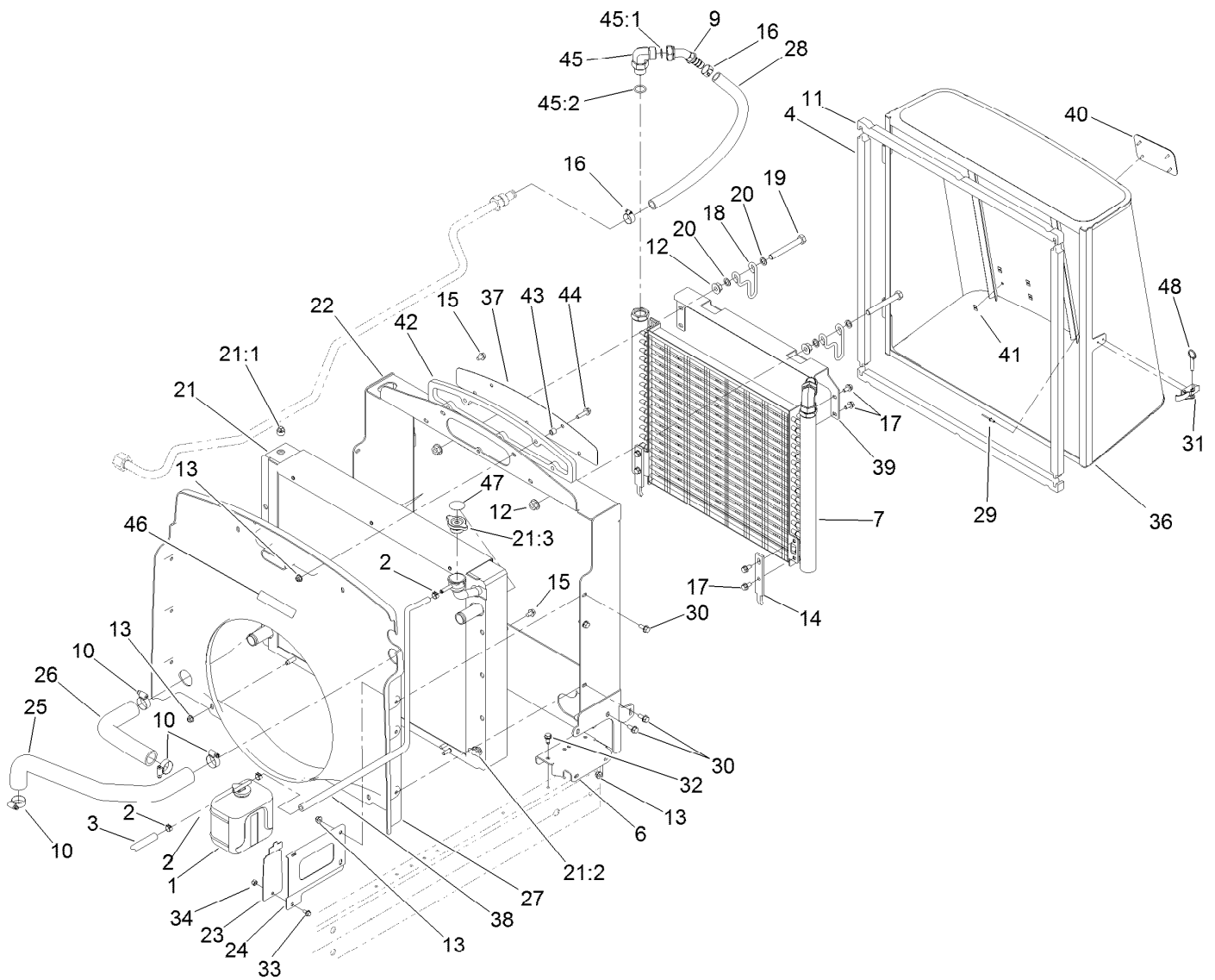
Air Cleaner Assembly No. 110-8917

<i>Ref.</i>	<i>Part Number</i>	<i>Qty.</i>	<i>Description</i>
2	108-3812	1	Filter-Air
3	93-5986	1	Cover ASM
4	87-9400	1	Valve-Vacuator
5	285-17	1	Plug-Pipe



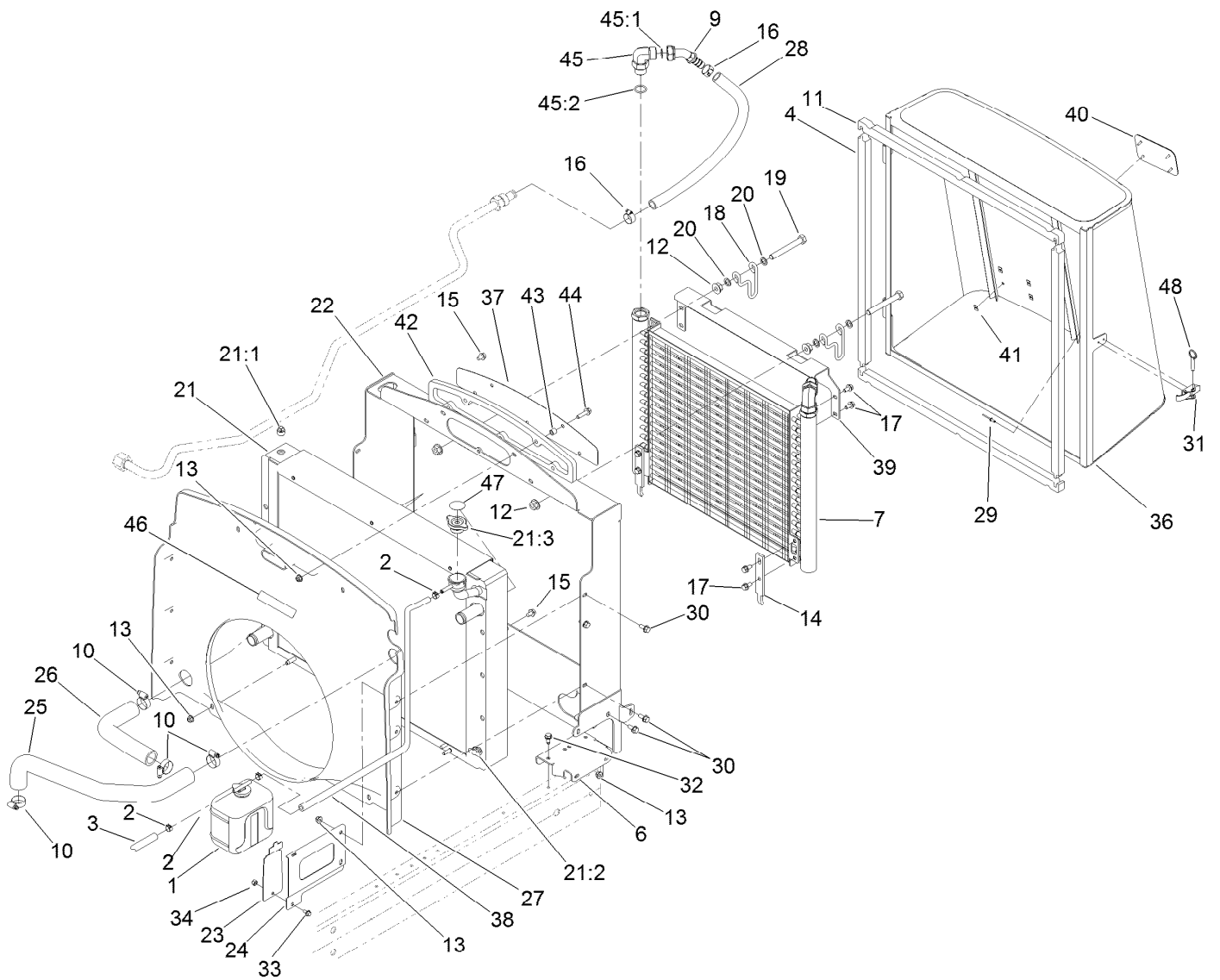
Fuel System Delivery Assembly

Ref.	Part Number	Qty.	Description	Ref.	Part Number	Qty.	Description
1	110-8806	1	Pump-Fuel	19	117-0298	1	Hose-Fuel
3	92-2379	5	Clamp-Hose	20	112-9919	1	Stop-Cable, Throttle
4	110-9044	1	Seperator Filter ASM	21	2412-149	2	Clamp-Hose
4:1	110-9049	1	Filter-Spin On	22	2412-80	1	Clamp-Hose
5	353-783	2	Fitting-Straight	23	3290-378	5	Tie-Cable
6	32144-110	1	Screw-HWH	24	3296-2	1	Nut-Lock, NI
7	3230-22	2	Screw-CARR	25	32105-13	1	Screw-HWH
8	3234-4	2	Screw-HHF	26	81-1690	1	Clamp-Cable
9	3296-42	2	Nut-Lock, NI	27	3296-20	1	Nut-Lock, NI
10	109-0309	2	Hose-Fuel	28	98-9311	1	Swivel-Throttle
11	322-5	1	Screw-HH	29	32104-32	4	Screw-HWH
12	104-8300	3	Nut-Flange, NI	30	2412-41	1	Clamp
13	110-9007-03	1	Support-Cable, Throttle	32	110-9009-03	1	Bracket-Cable, Throttle
15	110-8968-01	1	Mount-Separator, Water	33	33114-016	1	Screw-HH
17	110-8817	1	Bracket-Pump, Fuel	34	63-7790	1	Screw-Cap
18	110-3259	1	Hose-Fuel				



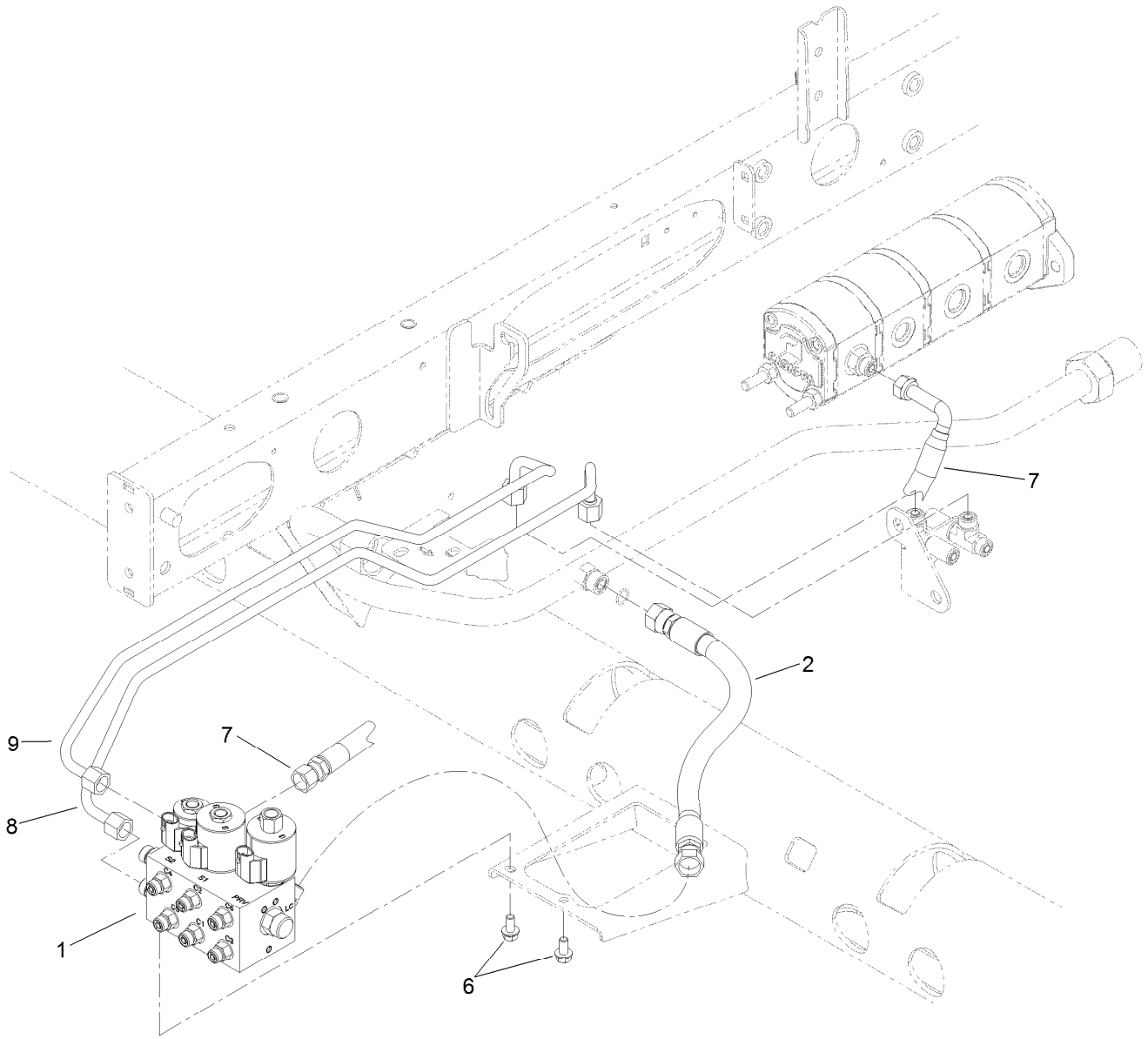
Radiator and Hydraulic Cooler Assembly

Ref.	Part Number	Qty.	Description	Ref.	Part Number	Qty.	Description
1	104-9318	1	Overflow Bottle ASM	21:3	93-5957	1	Cap-Radiator
2	92-2379	3	Clamp-Hose	22	110-5251-03	1	Frame-Radiator
3	110-3257	1	Hose-Fuel	23	108-1665-03	1	Bracket-Reservoir
4	110-5275	2	Seal-Foam	24	108-1666-03	1	Bracket-Reservoir
6	110-5310-01	2	Bracket-Mounting	25	110-8942	1	Hose-Formed
7	110-0485	1	Cooler-Oil	26	110-8943	1	Hose-Formed
9	104-7851	2	Fitting-HYD, 45 DEG	27	110-5311	1	Shroud-Fan
10	2412-34	4	Clamp-Hose	28	110-8955	2	Hose ASM
11	110-5276	2	Seal-Foam	29	3269-15	2	Rivet-Pop
12	32128-49	4	Nut-HHF	30	3234-5	10	Screw-HHF
13	104-8300	17	Nut-Flange, NI	31	115-1554	1	Latch-Draw
14	104-5460-03	2	Plate-Mount, Oil Cooler	32	32104-32	6	Screw-HWH
15	3234-30	6	Screw-HHF	33	3234-13	1	Screw-HHF
16	2412-129	4	Clamp-Hose	34	3296-42	1	Nut-Lock, NI
17	3234-14	8	Screw-HHF	36	110-5269-03	1	Screen
18	104-5429	2	Clamp-Form, Wire	37	108-1843-03	1	Screen-Intake, Air
19	325-17	2	Screw-HH	38	110-4104	1	Hose-Fuel
20	41-8440	4	Washer	39	104-5428	1	Bracket-Oil Cooler, Top
21	117-8093	1	Radiator ASM	40	93-6028	1	Plate-Logo
21:1	281-13	1	Plug-Pipe	41	94-2638	4	Nut-Tinnerman
21:2	304-46	1	Draincock	42	110-5324	1	Seal-Foam



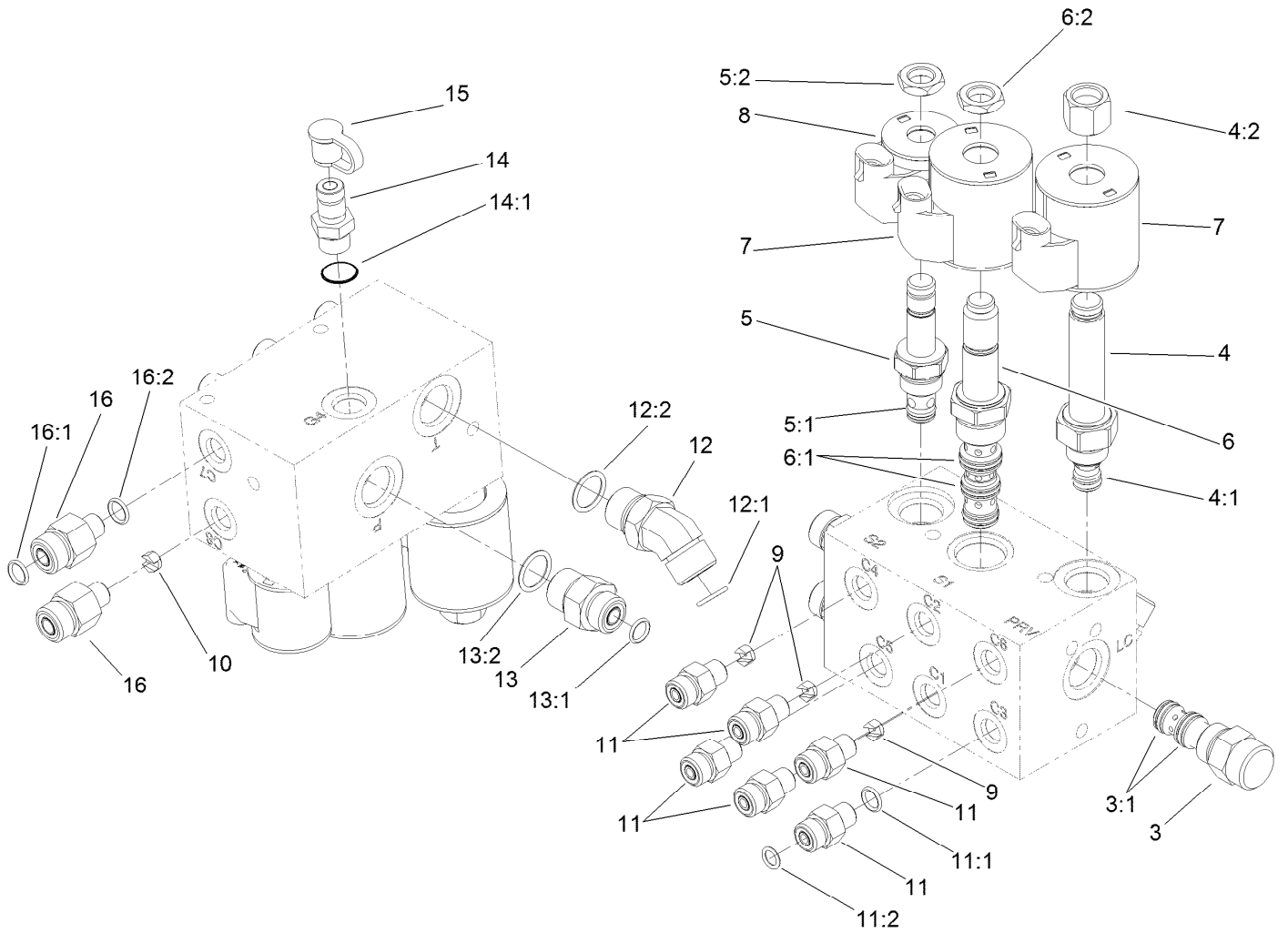
Radiator and Hydraulic Cooler Assembly (continued)

<i>Ref.</i>	<i>Part Number</i>	<i>Qty.</i>	<i>Description</i>	<i>Ref.</i>	<i>Part Number</i>	<i>Qty.</i>	<i>Description</i>
43	1-603903	5	Spacer	45:2	237-81	1	O-Ring
44	3234-36	5	Screw-HHF	46	93-7272	1	Decal-Warning
45	340-142	2	Fitting-HYD, 90 DEG	47	106-6755	1	Decal-Cap, Radiator
45:1	237-58	1	O-Ring	48	115-1556	1	Pin-Ball, Detent



Hydraulic Lift Block and Plumbing Assembly

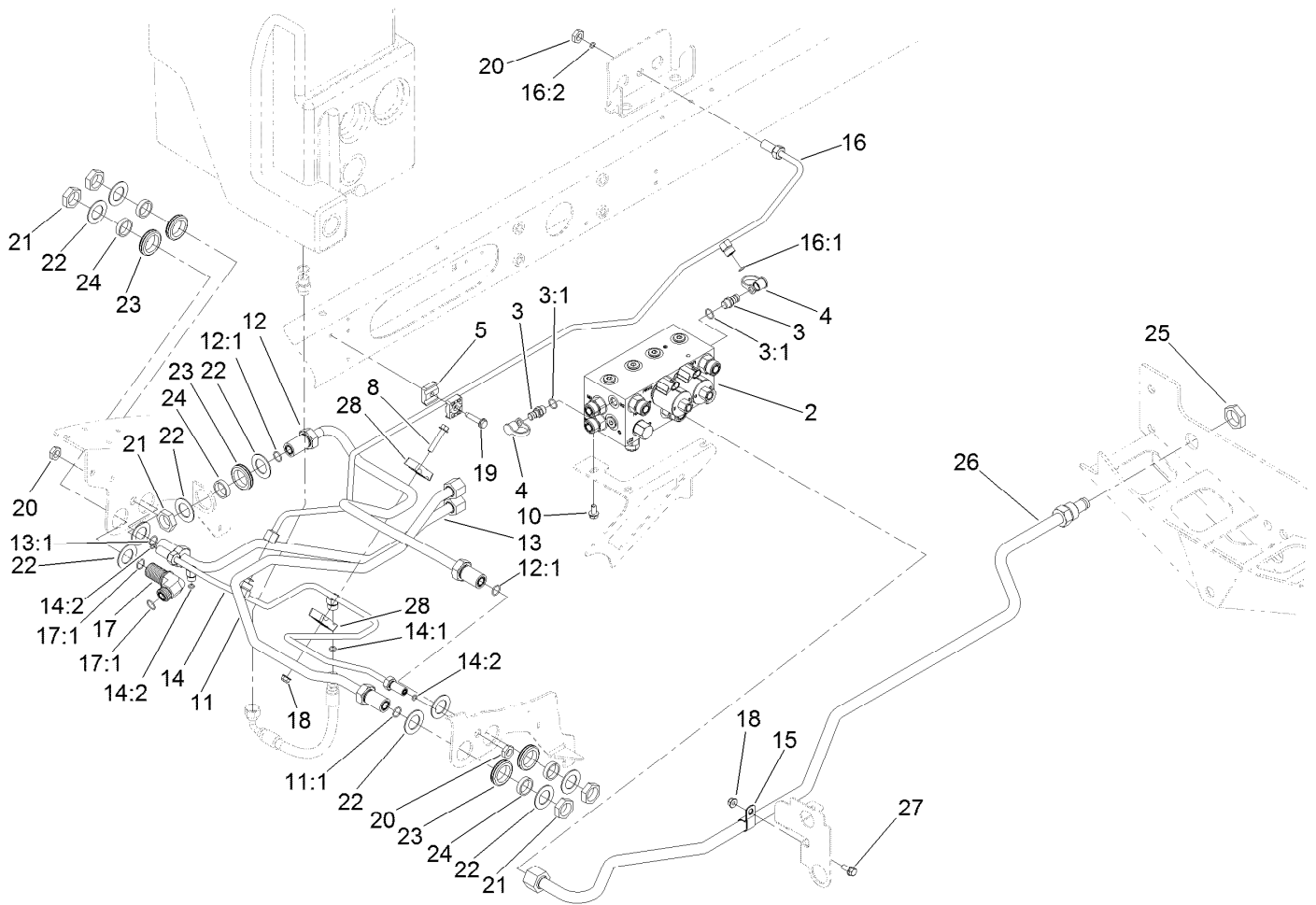
<i>Ref.</i>	<i>Part Number</i>	<i>Qty.</i>	<i>Description</i>
1	117-0158	1	Lift Control Manifold ASM
2	117-0180	1	Hose-HYD
6	3234-14	2	Screw-HHF
7	92-5694	1	Hose-Hydraulic
8	117-0175	1	Tube-HYD
9	117-0176	1	Tube-HYD



Lift Control Manifold Assembly No. 117-0158

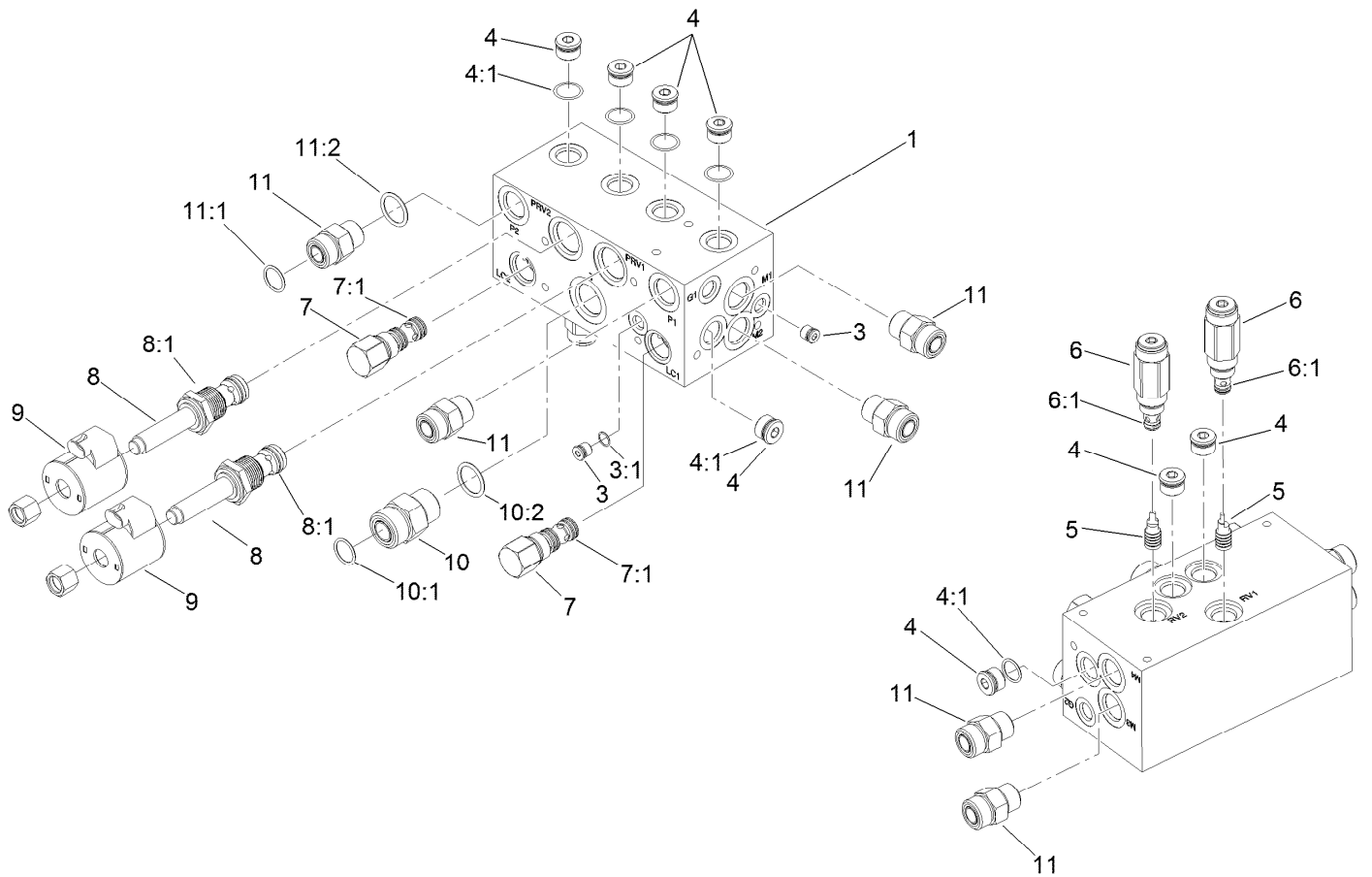
Ref.	Part Number	Qty.	Description
3	117-0228	1	Element-Directional, Pilot
3:1	115-5413	1	Seal Kit
4	117-0227	1	Valve-Relief, Proportional
4:1	105-9156	1	Seal Kit
4:2	119-2160	1	Nut-Coil
5	107-7516	1	Solenoid Valve ASM
5:1	105-9156	1	Seal Kit
5:2	110-2634	1	Nut-Coil
6	110-8906	1	Valve-Solenoid
6:1	110-8908	1	Spool Valve Seal Kit
6:2	110-2634	1	Nut-Coil
7	110-6344	2	Coil-12V, Dc
8	110-0497	1	Coil-Solenoid
9	110-8902	3	Orifice-Control, Flow (0.046)
10	114-4682	1	Orifice-Flow Control (.030)
11	340-92	6	Fitting-HYD, Straight

Ref.	Part Number	Qty.	Description
11:1	237-78	1	O-Ring
11:2	237-21	1	O-Ring
12	340-101	1	Fitting-HYD, 45 DEG
12:1	237-30	1	O-Ring
12:2	237-79	1	O-Ring
13	340-3	1	Adapter
13:1	237-22	1	O-Ring
13:2	237-79	1	O-Ring
14	59-7410	1	Fitting-Diagnostic
14:1	237-42	1	O-Ring
15	354-79	1	Cap-Dust
16	340-88	2	Adapter
16:1	237-22	1	O-Ring
16:2	237-78	1	O-Ring



Reel Control Block Hydraulic Plumbing Assembly

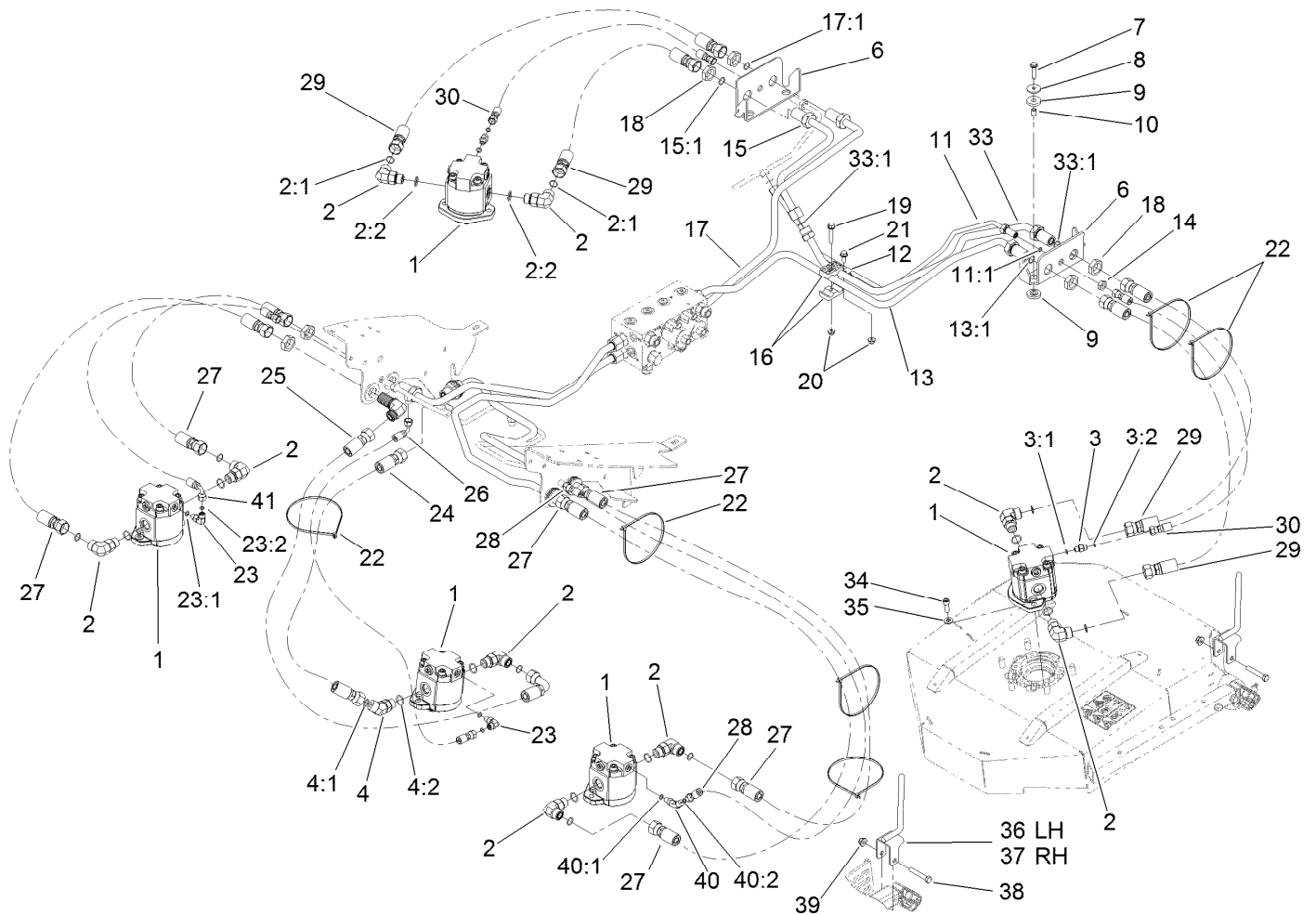
Ref.	Part Number	Qty.	Description	Ref.	Part Number	Qty.	Description
2	114-0359	1	Deck Control Manifold ASM	16	114-8888	1	Tube ASM
3	59-7410	2	Fitting-Diagnostic	16:1	237-22	1	O-Ring
3:1	237-42	1	O-Ring	16:2	237-21	1	O-Ring
4	354-79	2	Cap-Dust	17	340-72	1	Fitting-Bulkhead, 90 DEG
5	56-7972	2	Clamp-Tube	17:1	237-65	2	O-Ring
8	94-5780	1	Screw-HWH	18	104-8300	2	Nut-Flange, NI
10	3234-14	3	Screw-HHF	19	32144-57	1	Screw
11	117-0138	1	Tube ASM	20	340-78	3	Nut-Lock, Bulkhead
11:1	237-65	1	O-Ring	21	340-74	5	Nut-Lock, Bulkhead
12	117-0137	1	Tube ASM	22	69-9010	10	Washer
12:1	237-65	2	O-Ring	23	240-3	5	Grommet-Rubber
13	117-0139	1	Tube ASM	24	69-9000	5	Spacer
13:1	237-65	1	O-Ring	25	340-126	1	Nut-Bulkhead
14	110-5286	1	Tube ASM	26	108-1700	1	Tube ASM
14:1	237-22	2	O-Ring	27	3234-5	1	Screw-HHF
14:2	237-21	3	O-Ring	28	56-7970	2	Clamp-Tube
15	2412-4	1	Clamp				



Deck Control Manifold Assembly No. 114-0359

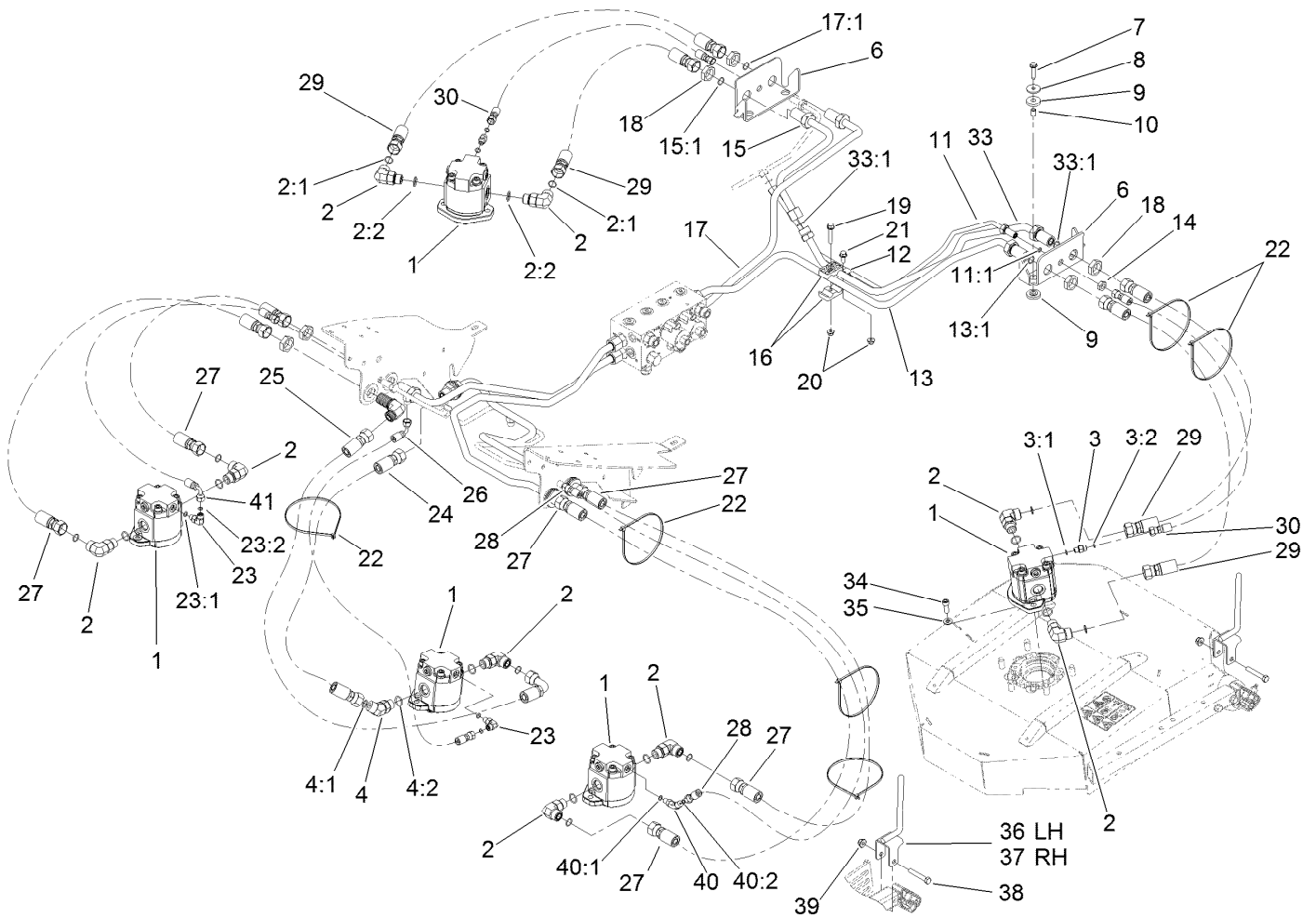
Ref.	Part Number	Qty.	Description	Ref.	Part Number	Qty.	Description
1		1	Hydraulic Manifold ●	8	117-0229	2	Valve-Relief, Proportional
3	106-1025	2	Plug-HYD	8:1	117-1114	1	Seal Kit
3:1	237-78	1	O-Ring	9	110-6344	2	Coil-12V, Dc
4	106-1027	8	Plug-HYD	10	340-9	1	Fitting-HYD, Straight
4:1	237-79	1	O-Ring	10:1	237-58	1	O-Ring
5	105-9157	2	Piston-Pilot	10:2	237-81	1	O-Ring
6	112-5259	2	Valve-Relief	11	340-7	2	Adapter
6:1	105-9156	1	Seal Kit	11:1	237-65	1	O-Ring
7	105-9153	2	Element-Logic, Vented	11:2	237-80	1	O-Ring
7:1	105-9154	1	Seal Kit				

● Not serviced separately



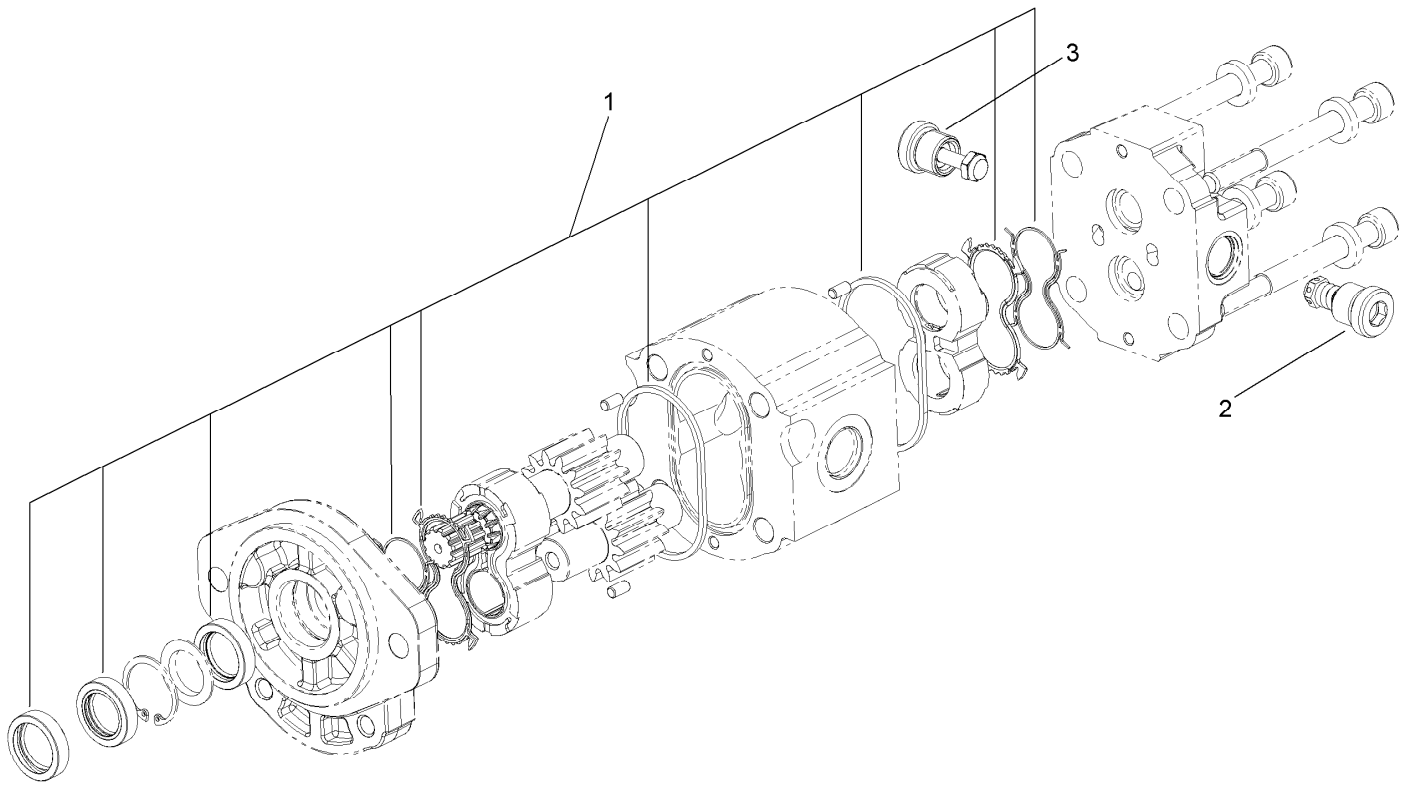
Rear Deck Drive System Plumbing and Front Hose Assembly

Ref.	Part Number	Qty.	Description	Ref.	Part Number	Qty.	Description
1	108-4004	5	Gear Motor ASM	13:1	237-65	1	O-Ring
2	340-17	9	Fitting-HYD, 90 DEG	14	340-78	1	Nut-Lock, Bulkhead
2:1	237-65	1	O-Ring	15	117-0140	1	Tube ASM
2:2	237-80	1	O-Ring	15:1	237-65	1	O-Ring
3	340-92	2	Fitting-HYD, Straight	16	56-7971	2	Clamp-Tube
3:1	237-78	1	O-Ring	17	117-0141	1	Tube ASM
3:2	237-21	1	O-Ring	17:1	237-65	1	O-Ring
4	340-14	1	Fitting-HYD, 45 DEG	18	340-74	4	Nut-Lock, Bulkhead
4:1	237-65	1	O-Ring	19	94-5780	1	Screw-HWH
4:2	237-80	1	O-Ring	20	104-8300	2	Nut-Flange, NI
6	117-0174-03	2	Bracket-Bulkhead	21	3234-5	1	Screw-HHF
7	32144-57	4	Screw	22	3334-945	15	Tie-Cable
8	105-3048	4	Washer-Flat	23	340-132	2	Fitting-HYD, 90 DEG
9	240-11	8	Bushing-Flange	23:1	237-78	1	O-Ring
10	99-8611	4	Spacer	23:2	237-21	1	O-Ring
11	114-8887	1	Tube ASM	24	117-0213	1	HYD Hose ASM
11:1	237-21	1	O-Ring	25	117-0211	1	HYD Hose ASM
12	2412-113	1	Clamp	26	117-0212	1	HYD Hose ASM
13	117-0142	1	Tube ASM	27	117-0299	4	HYD Hose ASM



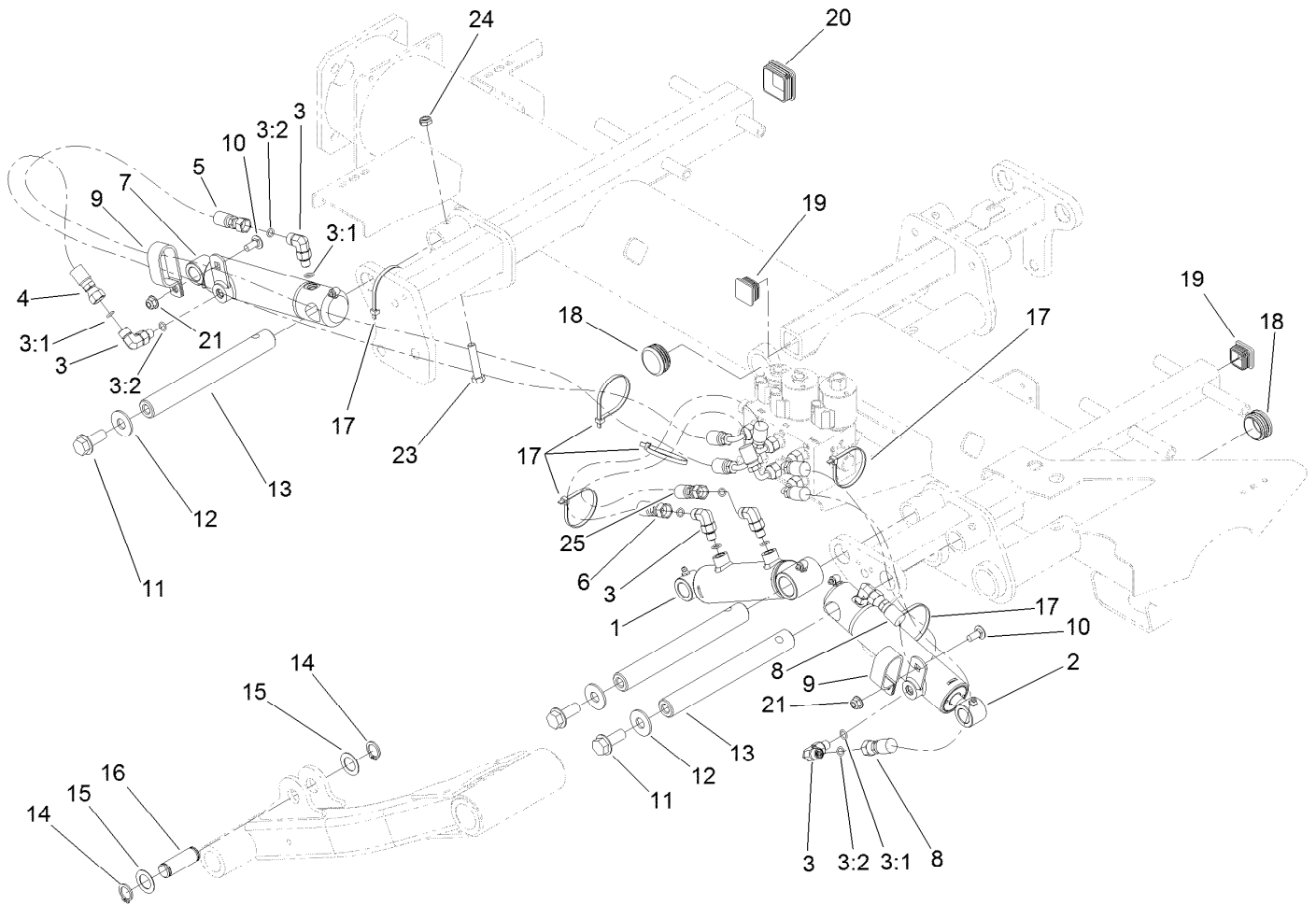
Rear Deck Drive System Plumbing and Front Hose Assembly (continued)

<i>Ref.</i>	<i>Part Number</i>	<i>Qty.</i>	<i>Description</i>	<i>Ref.</i>	<i>Part Number</i>	<i>Qty.</i>	<i>Description</i>
28	104-9323	1	HYD Hose ASM	37	117-0248-03	2	Guard-Foot, RH
29	105-1215	4	Hose ASM	38	323-11	4	Screw-HH
30	108-6507	2	Hose ASM	39	104-8301	4	Nut-Flange, NI
33	117-0177	1	Tube ASM	40	340-103	1	Fitting-HYD, 45 DEG
33:1	237-65	2	O-Ring	40:1	237-78	1	O-Ring
34	3274-7	10	Screw-HSH	40:2	237-21	1	O-Ring
35	3256-24	10	Washer-Flat	41	92-7638	1	Hose ASM
36	117-0247-03	2	Guard-Foot, LH				



Gear Motor Assembly No. 108-4004

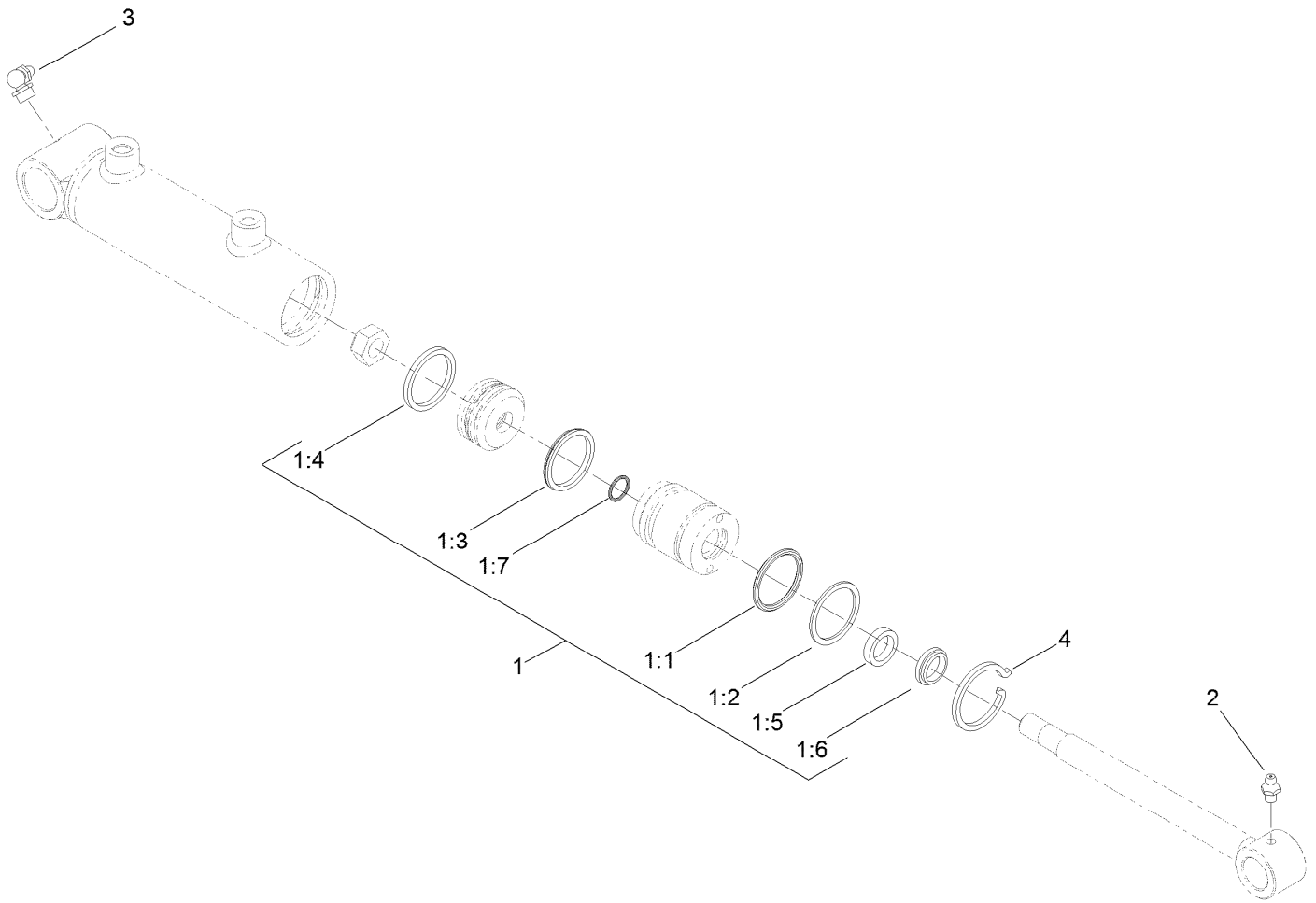
<i>Ref.</i>	<i>Part Number</i>	<i>Qty.</i>	<i>Description</i>
1	117-0235	1	Seal Kit
2	107-7820	1	Valve-Relief
3	107-7821	1	Valve-Anticavitation



Front Lift Cylinder and Plumbing Assembly

Ref.	Part Number	Qty.	Description
1	119-6989	1	HYD Cylinder ASM
2	119-6990	1	HYD Cylinder ASM
3	340-132	6	Fitting-HYD, 90 DEG
3:1	237-78	1	O-Ring
3:2	237-21	1	O-Ring
4	117-0262	1	Hose-HYD
5	117-0261	1	Hose-HYD
6	117-0253	1	Hose-HYD
7	119-6991	1	HYD Cylinder ASM
8	85-4940	2	Hose-HYD
9	2412-137	2	Clamp-R, Double
10	3230-23	2	Screw-CARR
11	3234-38	3	Screw-HHF

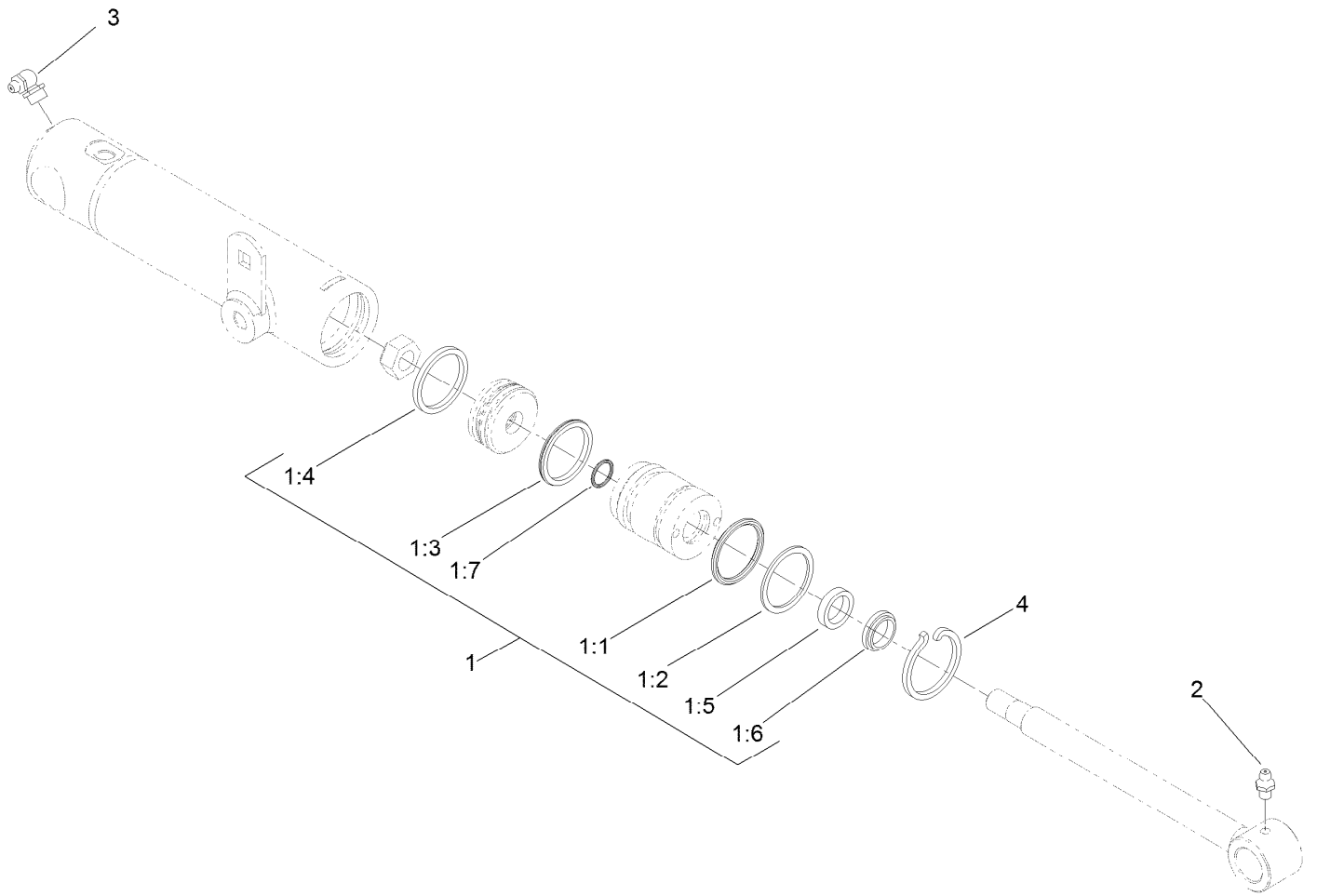
Ref.	Part Number	Qty.	Description
12	3256-6	3	Washer-Flat
13	117-0148	3	Pin-Cylinder
14	32120-93	6	Ring-Retaining
15	3-6498	6	Washer-Thrust
16	104-0046	3	Pin-Slide, Cylinder
17	3290-379	6	Tie-Cable
18	110-9012	5	Caplug
19	110-9013	2	Caplug
20	95-9495	1	Cap
21	104-8300	2	Nut-Flange, NI
23	323-9	3	Screw-HH
24	3296-59	3	Nut-Lock, NI
25	117-0254	1	Hp HYD Hose ASM



Hydraulic Cylinder Assembly No. 119-6989

Ref.	Part Number	Qty.	Description
1	119-6992	1	Seal Kit
1:1		1	Ring-Retaining ●
1:2		1	Backup ●
1:3		1	Bp Seal ●
1:4		1	Wear Ring-Ht ●
1:5		1	Bs Seal ●
1:6		1	Dust Seal-Dt ●
1:7		1	Ring-Retaining ●
2	302-5	1	Fitting-Grease
3	302-33	1	Fitting-Grease
4	84-1680	1	Ring-Retaining

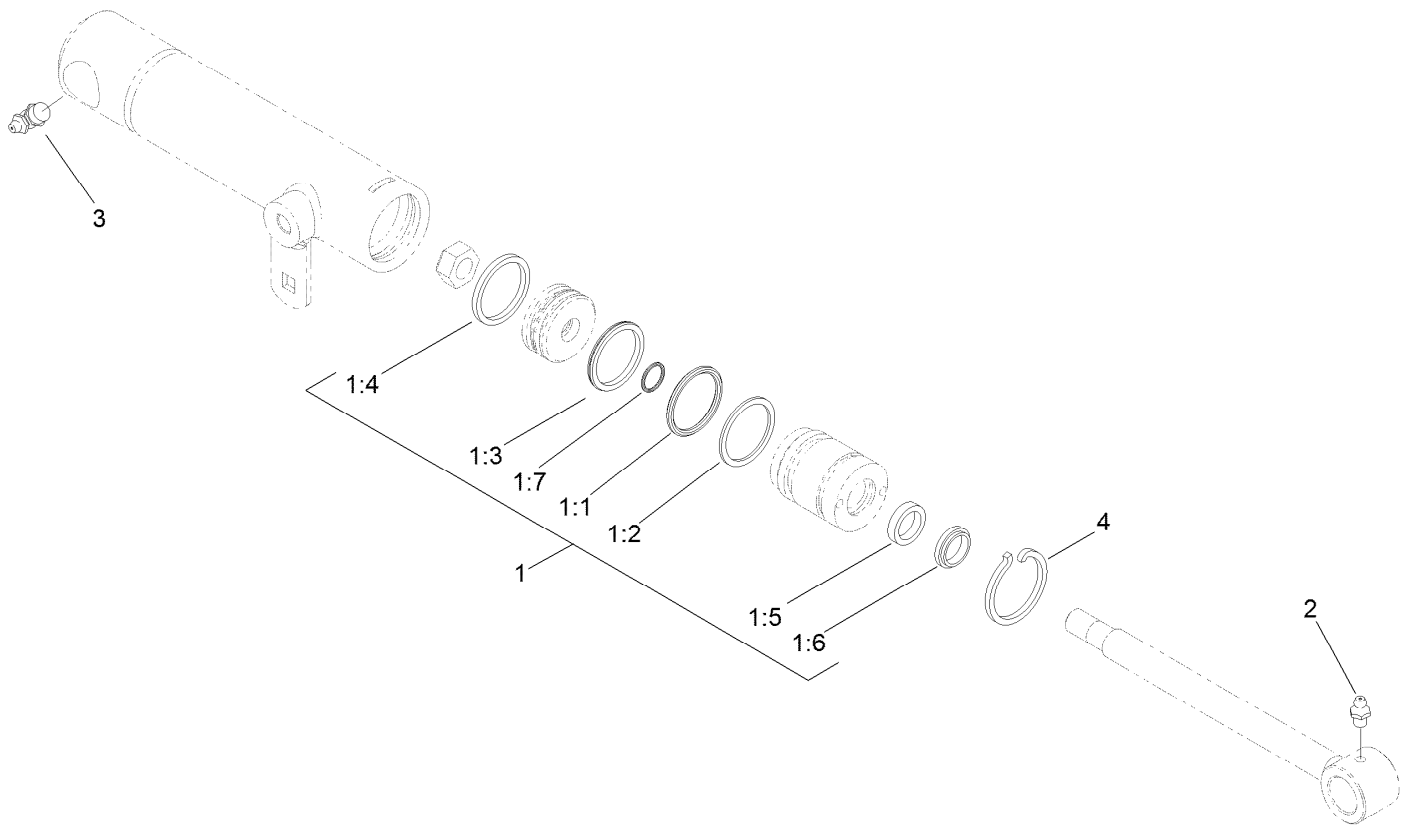
● Not serviced separately



Hydraulic Cylinder Assembly No. 119-6990

<i>Ref.</i>	<i>Part Number</i>	<i>Qty.</i>	<i>Description</i>
1	119-6992	1	Seal Kit
1:1		1	Ring-Retaining ●
1:2		1	Backup ●
1:3		1	Bp Seal ●
1:4		1	Wear Ring-Ht ●
1:5		1	Bs Seal ●
1:6		1	Dust Seal-Dt ●
1:7		1	Ring-Retaining ●
2	302-5	1	Fitting-Grease
3	302-33	1	Fitting-Grease
4	84-1680	1	Ring-Retaining

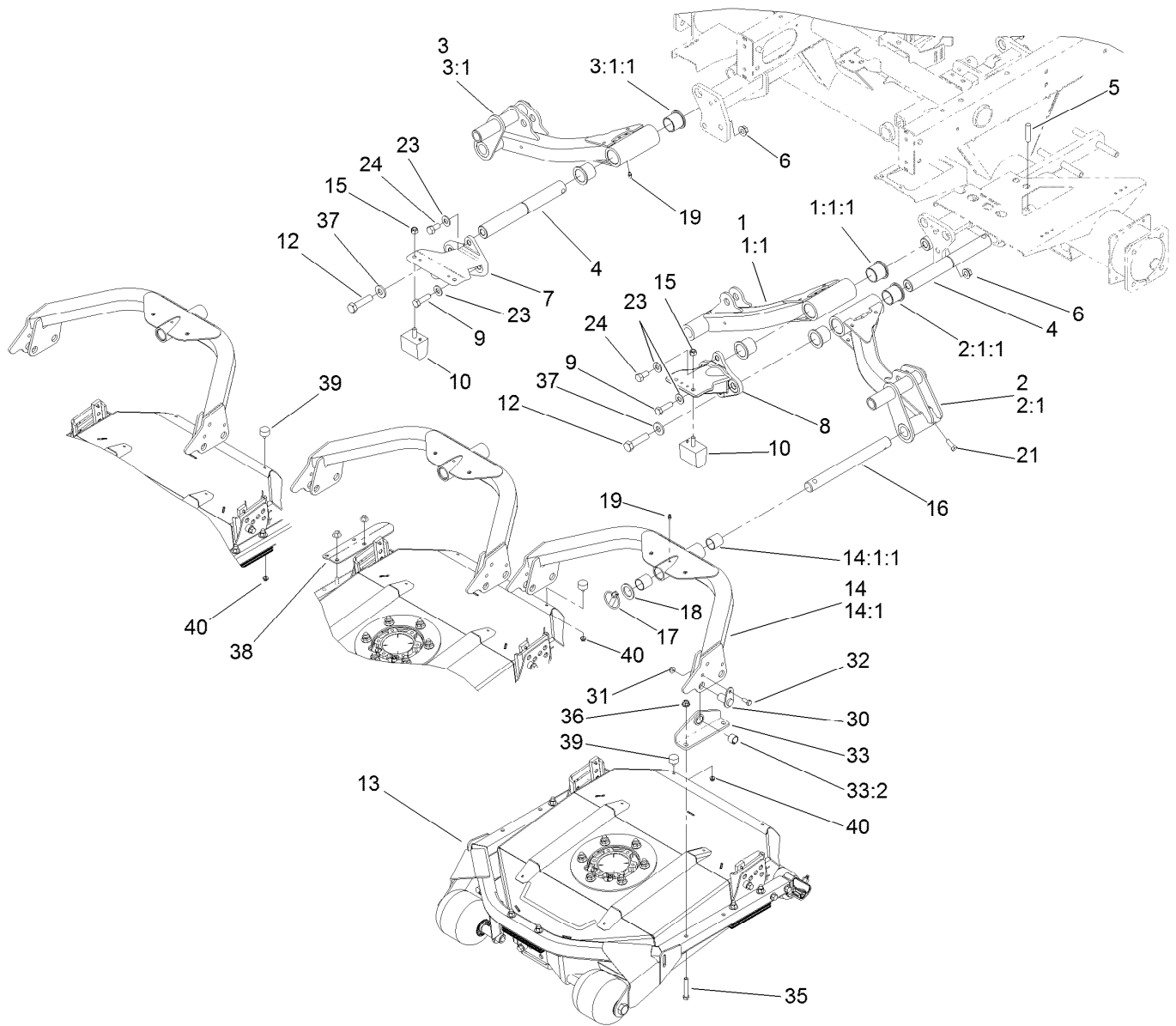
● Not serviced separately



Hydraulic Cylinder Assembly No. 119-6991

Ref.	Part Number	Qty.	Description
1	119-6992	1	Seal Kit
1:1		1	Ring-Retaining ●
1:2		1	Backup ●
1:3		1	Bp Seal ●
1:4		1	Wear Ring-Ht ●
1:5		1	Bs Seal ●
1:6		1	Dust Seal-Dt ●
1:7		1	Ring-Retaining ●
2	302-5	1	Fitting-Grease
3	302-33	1	Fitting-Grease
4	84-1680	1	Ring-Retaining

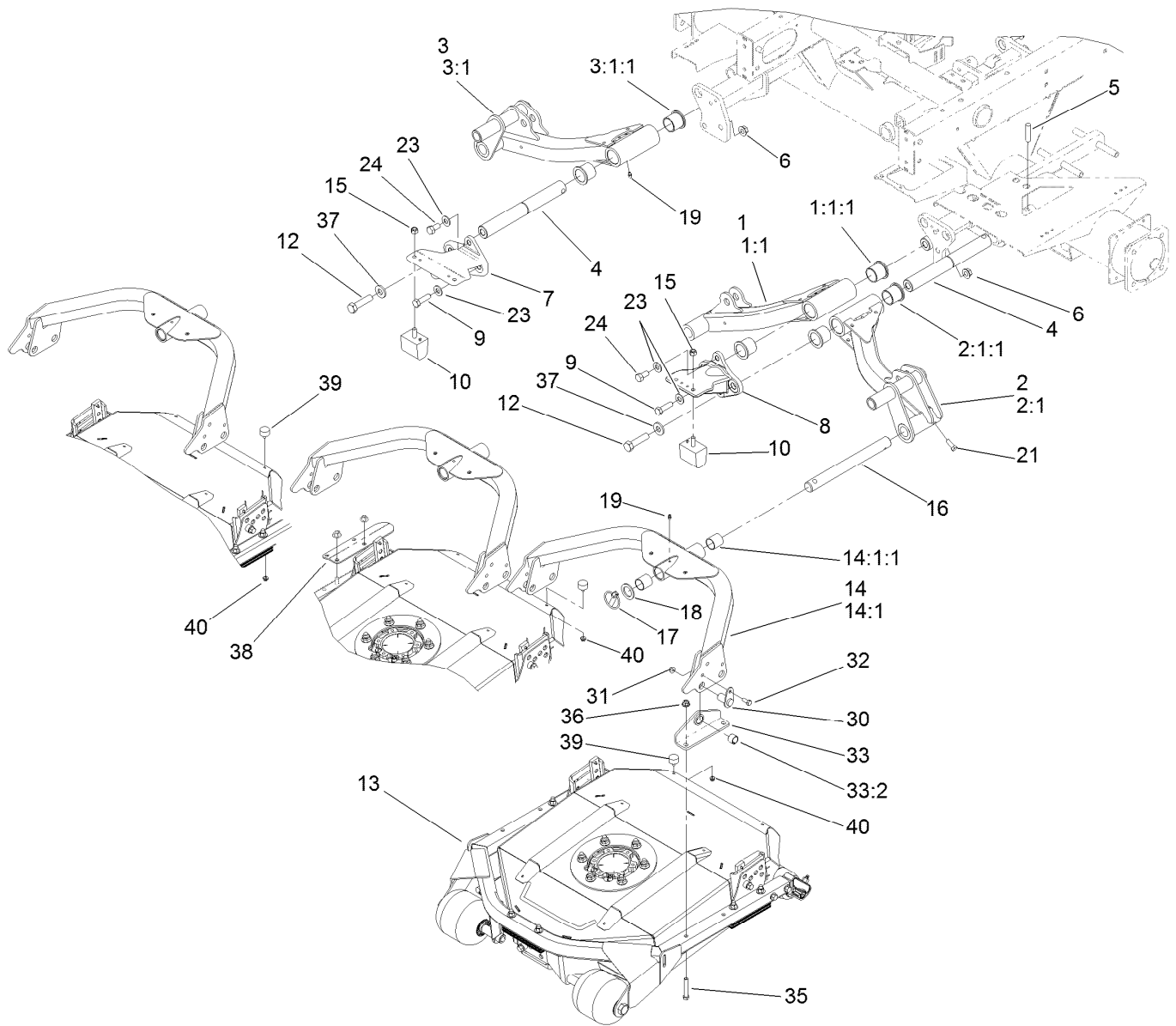
● Not serviced separately



Front Lift Arm Assembly

Ref.	Part Number	Qty.	Description	Ref.	Part Number	Qty.	Description
1	114-0381-03	1	Arm No. 1 ASM	13	30845	3	22 Inch Contour Plus Replacement Deck
1:1		1	Arm 1 ●	14	108-7384-03	3	Carrier Frame ASM
1:1:1	69-6470	2	Bushing-Castor	14:1		1	Frame-Carrier ●
2	114-0384-03	1	Arm No. 4 ASM	14:1:1	108-4000	2	Bushing
2:1		1	Arm 4 ●	15	33025-00	4	Nut-Lock, NI
2:1:1	69-6470	2	Bushing-Castor	16	95-8979	3	Shaft
3	114-0385-03	1	Arm No. 5 ASM	17	283-71	3	Pin-Lynch
3:1		1	Arm 5 ●	18	3-6781	3	Washer-Thrust
3:1:1	69-6470	2	Bushing-Castor	19	302-5	6	Fitting-Grease
4	117-0208	3	Shaft-Pivot, Liftarm	21	323-6	3	Screw-HH
5	32121-122	3	Pin-Roll	23	87-7270	6	Washer-Thrust
6	99-5107	4	Nut-Lock	24	325-5	2	Screw-HH
7	117-0250-03	1	Tippe-RH	30	117-0132	6	Pin ASM
8	117-0252-03	1	Tipper-LH	31	104-8300	6	Nut-Flange, NI
9	325-7	4	Screw-HH	32	322-3	6	Screw-HH
10	87-3470	4	Bumper-Axle, Rear	33	117-0118	6	Pivot ASM
12	327-7	3	Screw-HH	33:2	108-8482	1	Bushing-Sleeve

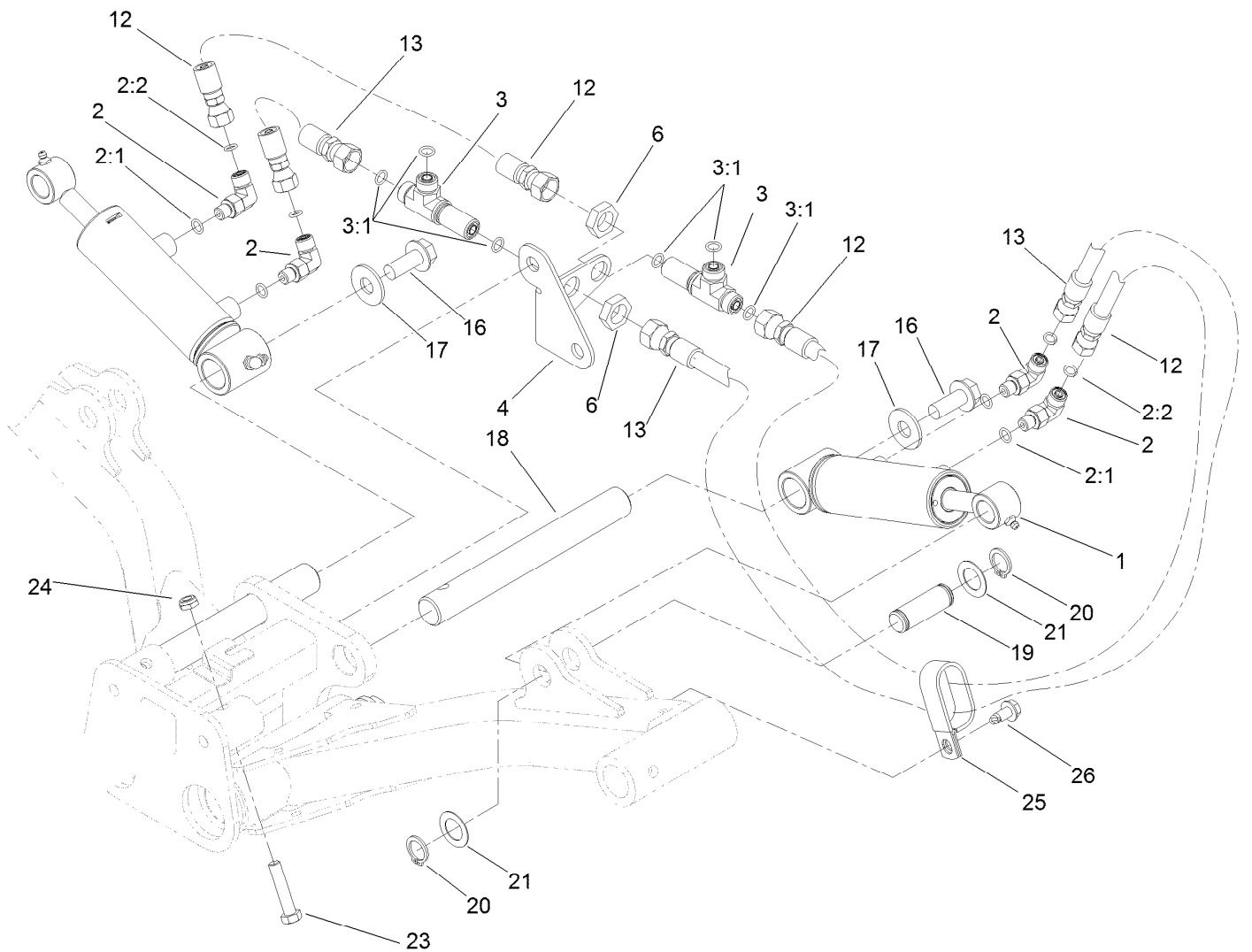
● Not serviced separately



Front Lift Arm Assembly (continued)

<i>Ref.</i>	<i>Part Number</i>	<i>Qty.</i>	<i>Description</i>	<i>Ref.</i>	<i>Part Number</i>	<i>Qty.</i>	<i>Description</i>
35	323-11	12	Screw-HH	38	105-9831-03	1	Bracket-Bumper, No. 1
36	104-8301	12	Nut-Flange, NI	39	240-14	3	Bumper-Rubber
37	99-7667	3	Washer-Flat	40	104-7201	3	Nut-HF

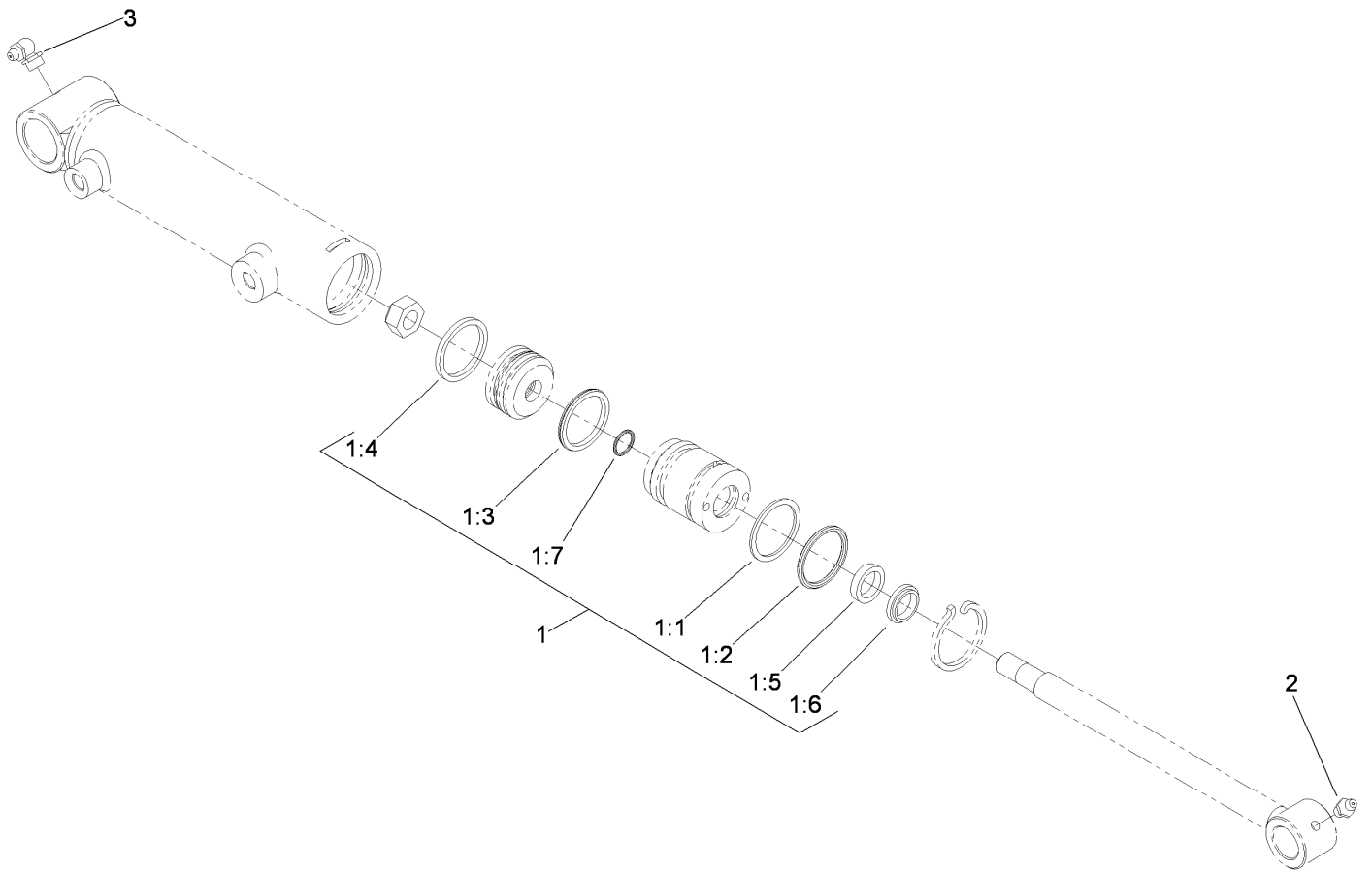
● Not serviced separately



Rear Lift Cylinder and Plumbing Assembly

Ref.	Part Number	Qty.	Description
1	119-6988	2	HYD Cylinder ASM
2	340-132	4	Fitting-HYD, 90 DEG
2:1	237-78	1	O-Ring
2:2	237-21	1	O-Ring
3	340-68	2	Fitting-Tee, Bulkhead
3:1	237-22	3	O-Ring
4	117-0179	1	Bracket-Bulkhead
6	340-70	2	Nut-Lock
12	105-5402	2	Hose-HYD
13	105-5405	2	Hose-HYD

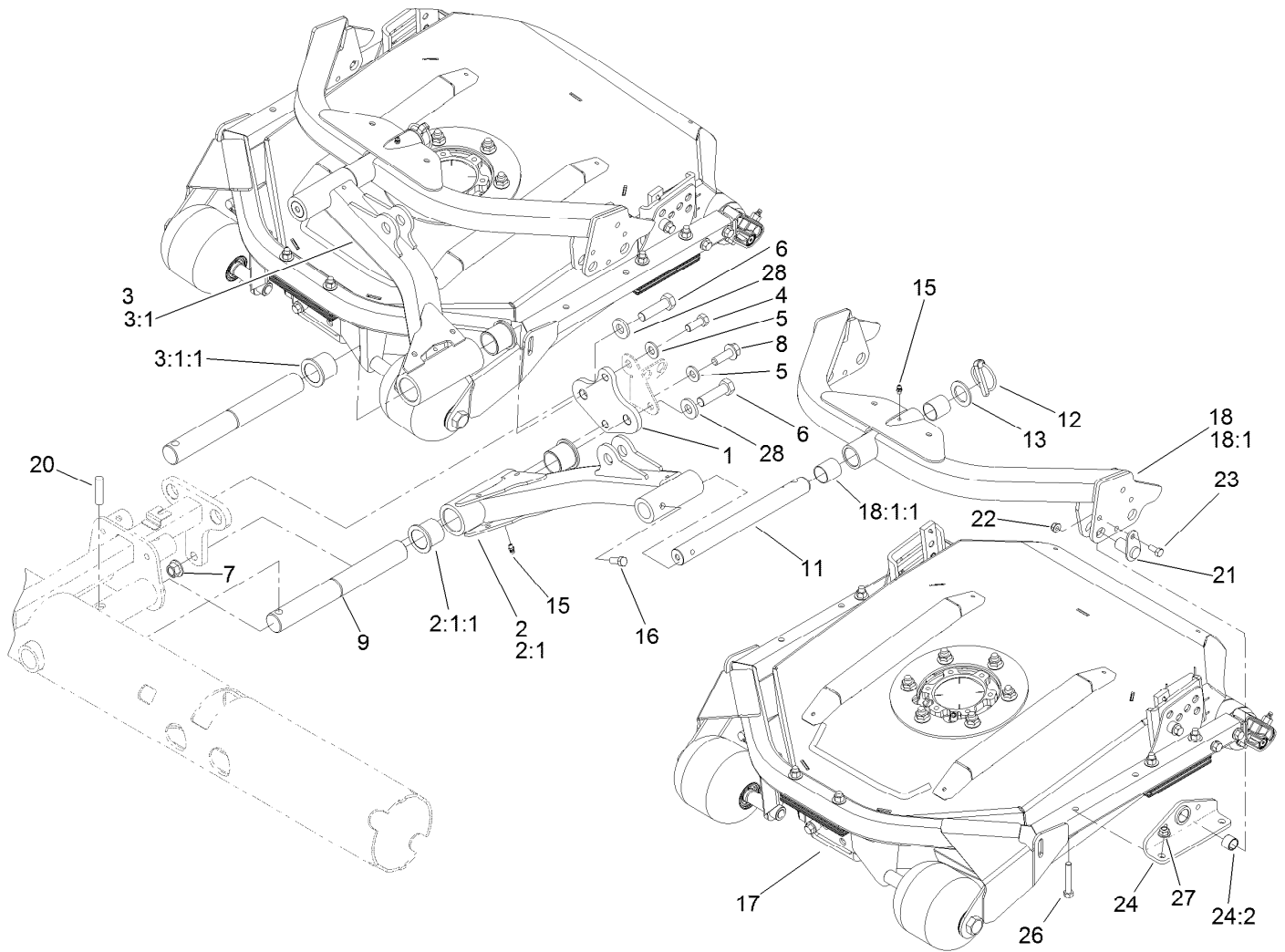
Ref.	Part Number	Qty.	Description
16	3234-38	2	Screw-HHF
17	3256-6	2	Washer-Flat
18	117-0148	2	Pin-Cylinder
19	104-0046	2	Pin-Slide, Cylinder
20	32120-93	4	Ring-Retaining
21	3-6498	4	Washer-Thrust
23	323-9	2	Screw-HH
24	3296-59	2	Nut-Lock, NI
25	2412-137	2	Clamp-R, Double
26	32104-32	2	Screw-HWH



Hydraulic Cylinder Assembly No. 119-6988

Ref.	Part Number	Qty.	Description
1	119-6992	1	Seal Kit
1:1		1	O-Ring ●
1:2		1	Backup ●
1:3		1	Bp Seal ●
1:4		1	Wear Ring-Ht ●
1:5		1	Bs Seal ●
1:6		1	Dust Seal-Dt ●
1:7		1	O-Ring ●
2	302-5	1	Fitting-Grease
3	302-33	1	Fitting-Grease

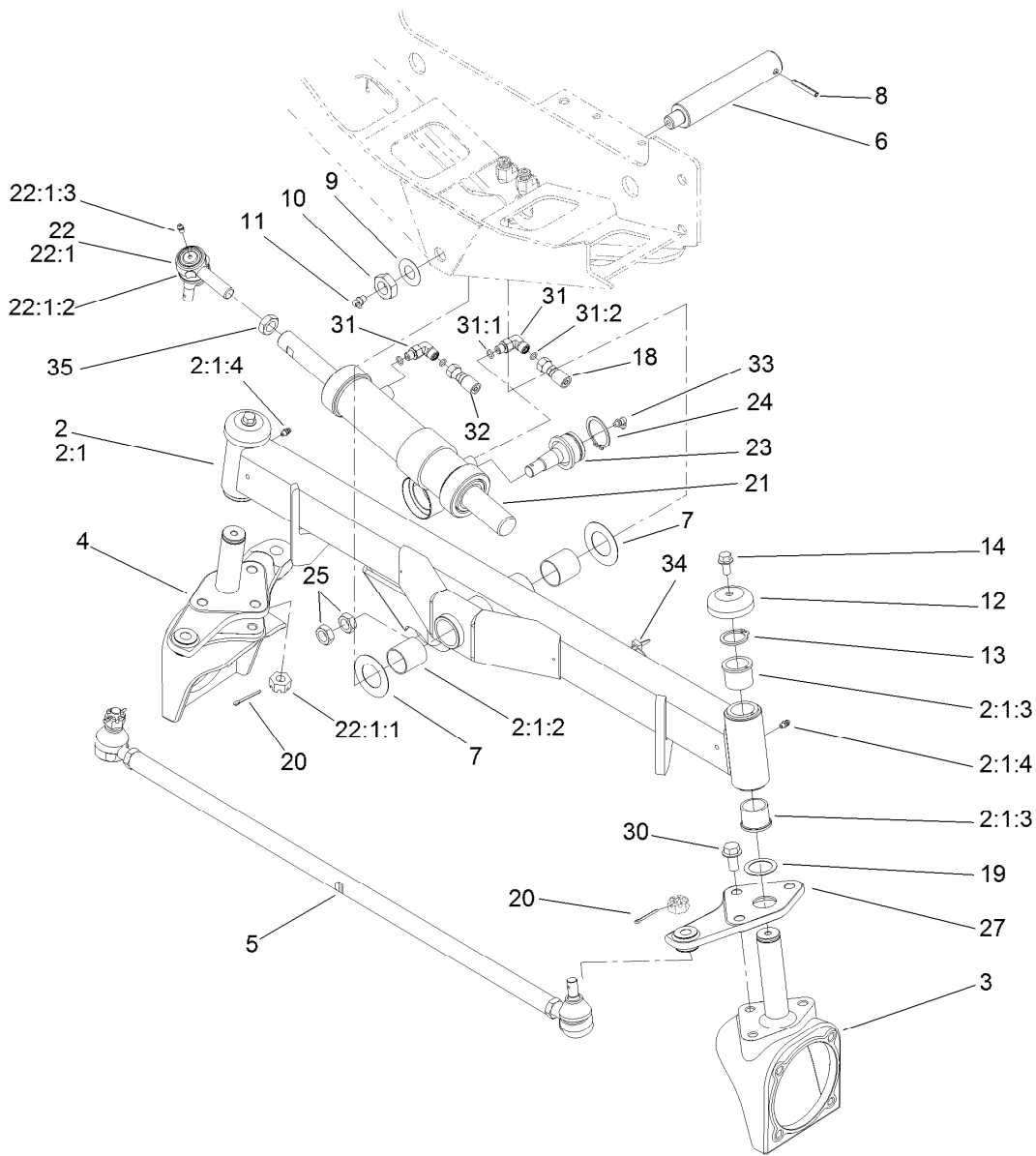
● Not serviced separately



Rear Lift Arm Assembly

Ref.	Part Number	Qty.	Description	Ref.	Part Number	Qty.	Description
1	114-0352-01	1	Plate-Bridge, No. 2 And 3	15	302-5	4	Fitting-Grease
2	114-0382-03	1	Arm No. 2 ASM	16	323-6	2	Screw-HH
2:1		1	Arm 2 ●	17	30845	2	22 Inch Contour Plus Replacement Deck
2:1:1	69-6470	2	Bushing-Castor	18	108-7384-03	2	Carrier Frame ASM
3	114-0383-03	1	Arm No. 3 ASM	18:1		1	Frame-Carrier ●
3:1		1	Arm 3 ●	18:1:1	108-4000	2	Bushing
3:1:1	69-6470	2	Bushing-Castor	20	32121-122	2	Pin-Roll
4	325-5	1	Screw-HH	21	117-0132	4	Pin ASM
5	87-7270	2	Washer-Thrust	22	104-8300	4	Nut-Flange, NI
6	327-7	2	Screw-HH	23	322-3	4	Screw-HH
7	99-5107	1	Nut-Lock	24	117-0118	4	Pivot ASM
8	325-7	1	Screw-HH	24:2	108-8482	1	Bushing-Sleeve
9	117-0208	2	Shaft-Pivot, Liftarm	26	323-11	8	Screw-HH
11	95-8979	2	Shaft	27	104-8301	8	Nut-Flange, NI
12	283-71	2	Pin-Lynch	28	99-7667	2	Washer-Flat
13	3-6781	2	Washer-Thrust				

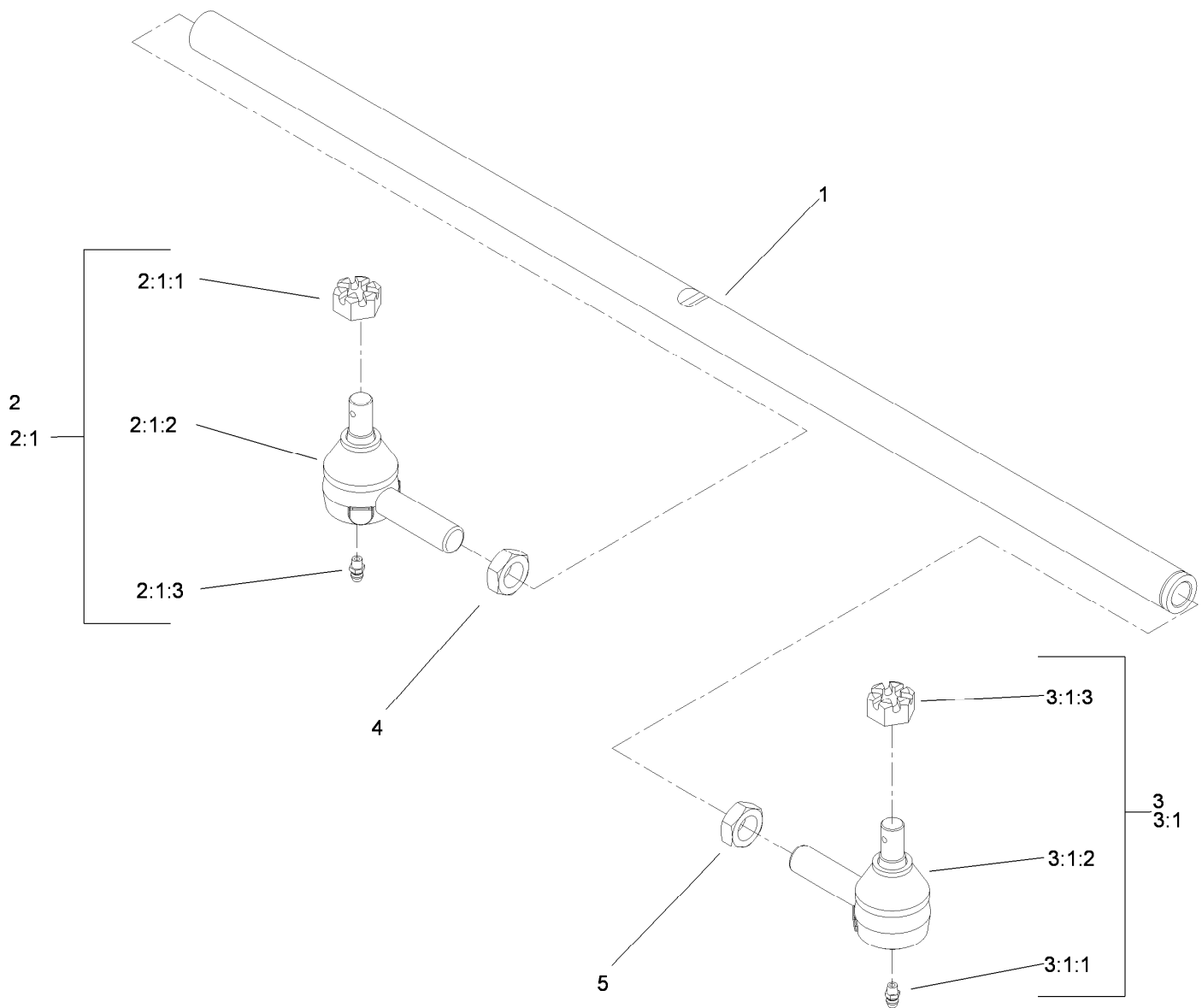
● Not serviced separately



Rear Axle Assembly

Ref.	Part Number	Qty.	Description	Ref.	Part Number	Qty.	Description
2	117-0256-03	1	Axle ASM	20	3272-12	3	Pin-Cotter
2:1		1	Axle ●	21	114-0403	1	HYD Steering Cylinder ASM
2:1:2	99-6964	2	Bushing-Axle	22	71-4740-03	1	End-Rod, Tie
2:1:3	104-0015	4	Bushing-Flange	22:1		1	End-Rod, Tie (RH) ●
2:1:4	302-5	2	Fitting-Grease	22:1:1	105-7941	1	Nut-Hex, Slotted
3	107-4517-03	2	Housing-Motor	22:1:2	105-7835	1	Seal
4	110-5295-03	1	Link-Drag, RH	22:1:3	302-5	1	Fitting-Grease
5	110-5334-03	1	Tie Rod ASM	23	106-6774	1	Joint-Ball
6	98-8173	1	Pin-Pivot, Axle	24	32151-104	1	Ring-Retaining, External
7	99-8432	2	Washer-Thrust	25	3220-6	2	Nut-Jam
8	32121-32	1	Pin-Roll	27	110-5297-03	1	Link-Drag, LH
9	71-4540	1	Washer-Thrust	30	3234-6	6	Screw-HHF
10	32146-20	1	Nut-Hex	31	340-132	2	Fitting-HYD, 90 DEG
11	302-33	1	Fitting-Grease	31:1	237-78	1	O-Ring
12	69-8890	2	Cap-Spindle	31:2	237-21	1	O-Ring
13	32151-77	2	Ring-Retaining, EXT	32	110-0973	1	Hose-HYD
14	3234-1	2	Screw-HHF	33	302-40	1	Fitting-Grease
18	110-0928	1	Hose-HYD	34	3290-378	2	Tie-Cable
19	76-2980	2	Washer-Thrust	35	84-5300	1	Nut-Jam

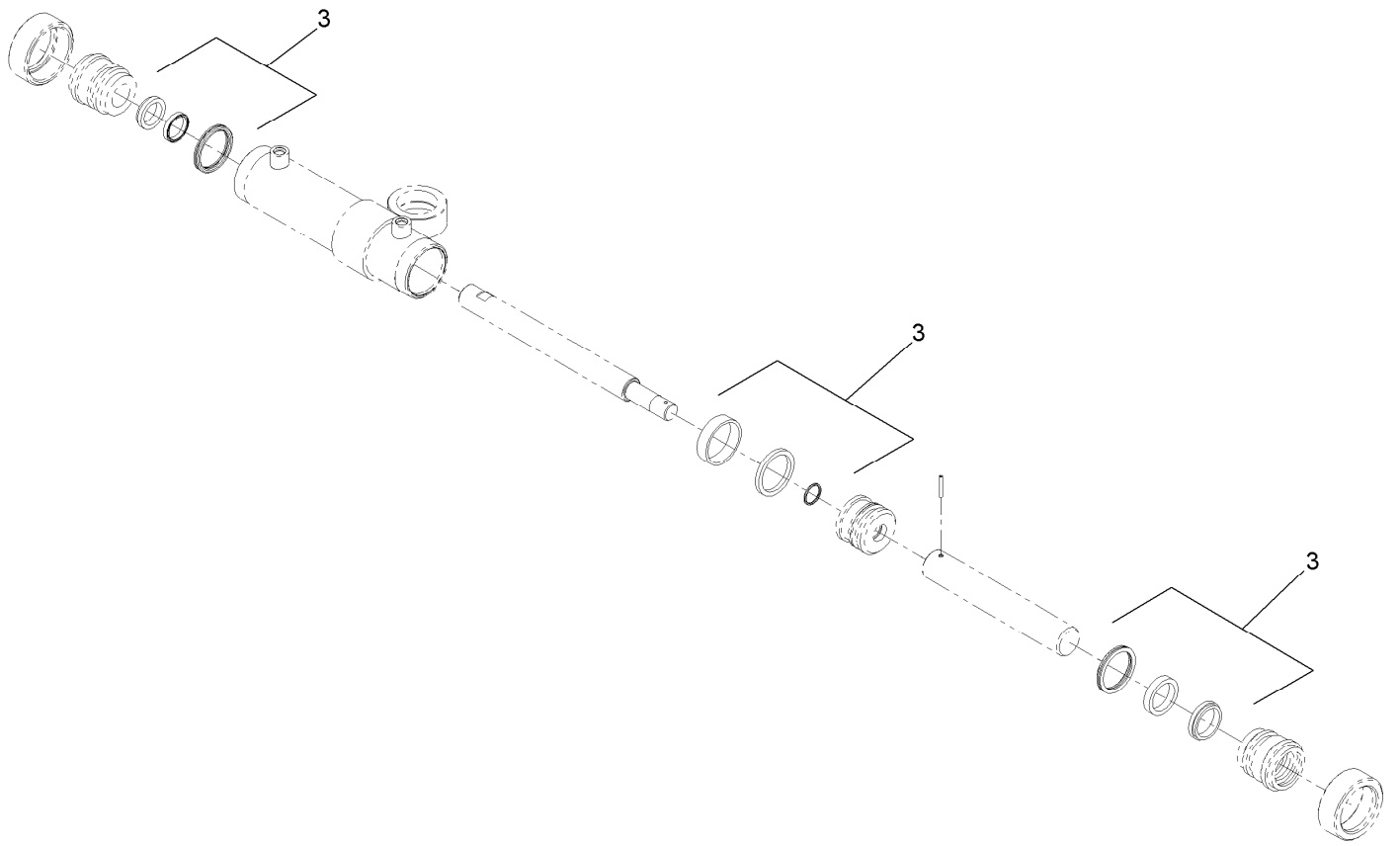
● Not serviced separately



Tie Rod Assembly No. 110-5334-03

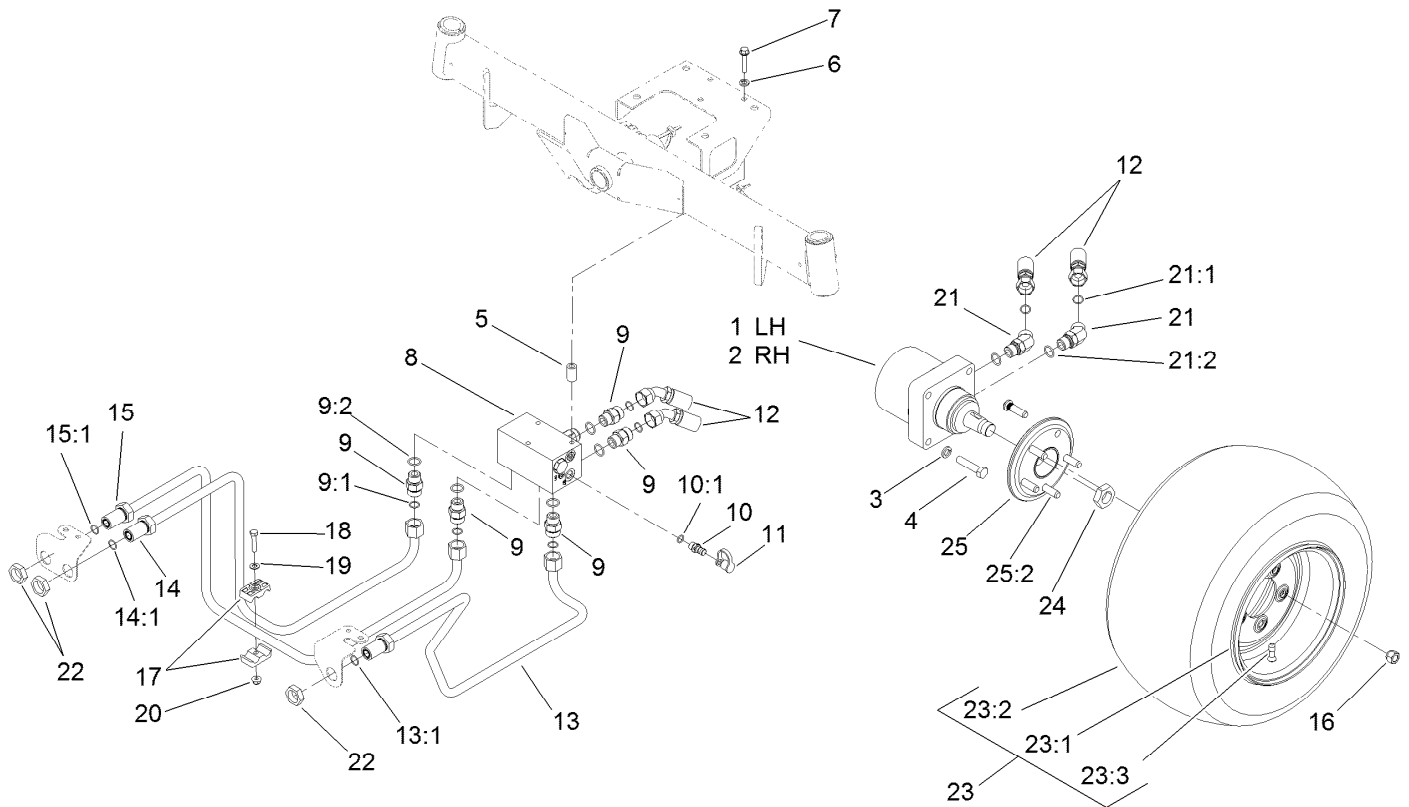
Ref.	Part Number	Qty.	Description
1	110-5335	1	Rod-Tie
2	71-4740-03	1	End-Rod, Tie
2:1		1	End-Rod, Tie (RH) ●
2:1:1	105-7941	1	Nut-Hex, Slotted
2:1:2	105-7835	1	Seal
2:1:3	302-5	1	Fitting-Grease
3	2411-46-03	1	End-Rod, Tie (LH)
3:1		1	End-Rod, Tie (LH) ●
3:1:1	302-5	1	Fitting-Grease
3:1:2	105-7835	1	Seal
3:1:3	105-7941	1	Nut-Hex, Slotted
4	84-5300	1	Nut-Jam
5	110-5337	1	Nut-Jam

● Not serviced separately



Hydraulic Cylinder Assembly No. 114-0403

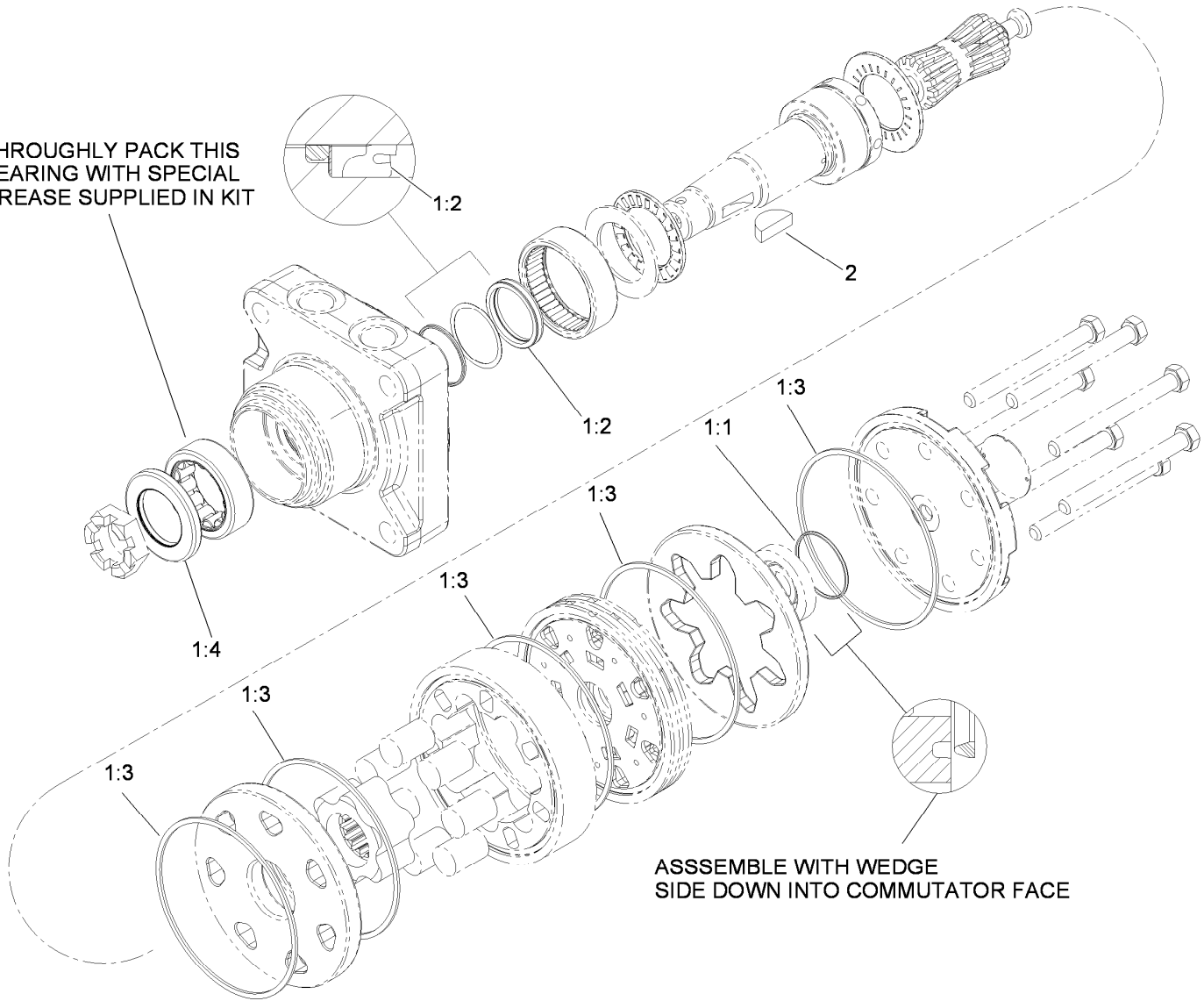
<i>Ref.</i>	<i>Part Number</i>	<i>Qty.</i>	<i>Description</i>
3	114-0404	1	Cylinder Repair Kit



All Wheel Drive Assembly

Ref.	Part Number	Qty.	Description	Ref.	Part Number	Qty.	Description
1	107-4544	1	HYD Motor ASM	15	108-7624	1	Tube ASM
2	110-0901	1	HYD Motor ASM	15:1	237-65	1	O-Ring
3	3253-7	8	Washer-Lock	16	242-50	10	Nut-Lug
4	325-9	8	Screw-HH	17	56-7971	2	Clamp-Tube
5	93-6981	3	Spacer	18	322-7	1	Screw-HH
6	3253-21	3	Washer-Lock	19	3256-23	1	Washer-Flat
7	323-9	3	Screw-HH	20	104-8300	1	Nut-Flange, NI
8	108-1825	1	HYD Manifold ASM	21	340-14	4	Fitting-HYD, 45 DEG
9	340-7	7	Adapter	21:1	237-65	1	O-Ring
9:1	237-65	1	O-Ring	21:2	237-80	1	O-Ring
9:2	237-80	1	O-Ring	22	340-74	3	Nut-Lock, Bulkhead
10	59-7410	2	Fitting-Diagnostic	23	117-0281	2	Rim And Tire ASM
10:1	237-42	1	O-Ring	23:1	117-0280	1	Rim
11	354-79	2	Cap-Dust	23:2	117-5125	1	Tire
12	106-3662	4	Hose-HYD	23:3	232-27	1	Stem-Valve
13	108-7626	1	Tube ASM	24	26-3790	2	Nut-Lock
13:1	237-65	1	O-Ring	25	110-9046	2	Hub ASM
14	108-7625	1	Tube ASM	25:2	10-6830	5	Stud-Type, Drive
14:1	237-65	1	O-Ring				

THOROUGHLY PACK THIS BEARING WITH SPECIAL GREASE SUPPLIED IN KIT



ASSEMBLE WITH WEDGE SIDE DOWN INTO COMMUTATOR FACE

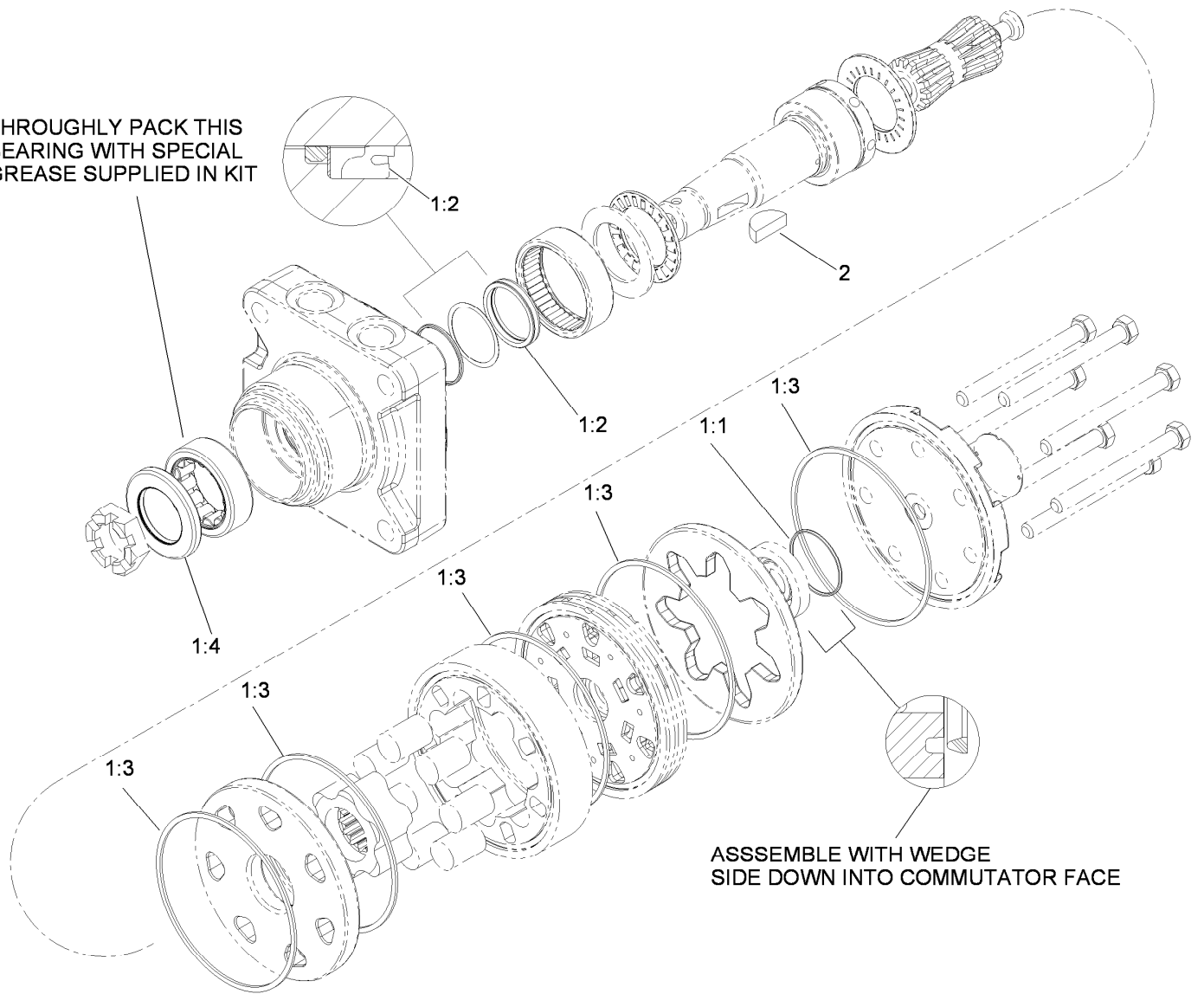
Hydraulic Motor Assembly No. 107-4544

Ref.	Part Number	Qty.	Description
1	110-8897	1	Seal Kit ●
1:1		1	Seal-Commutator, Vespel ■
1:2		1	Seal-Shaft ■
1:3		5	Seal-Body, Buna ■
1:4		1	Seal-Dirt / Water ■
2	3257-42	1	Key-Woodruff

● Not illustrated

■ Not serviced separately

THOROUGHLY PACK THIS BEARING WITH SPECIAL GREASE SUPPLIED IN KIT



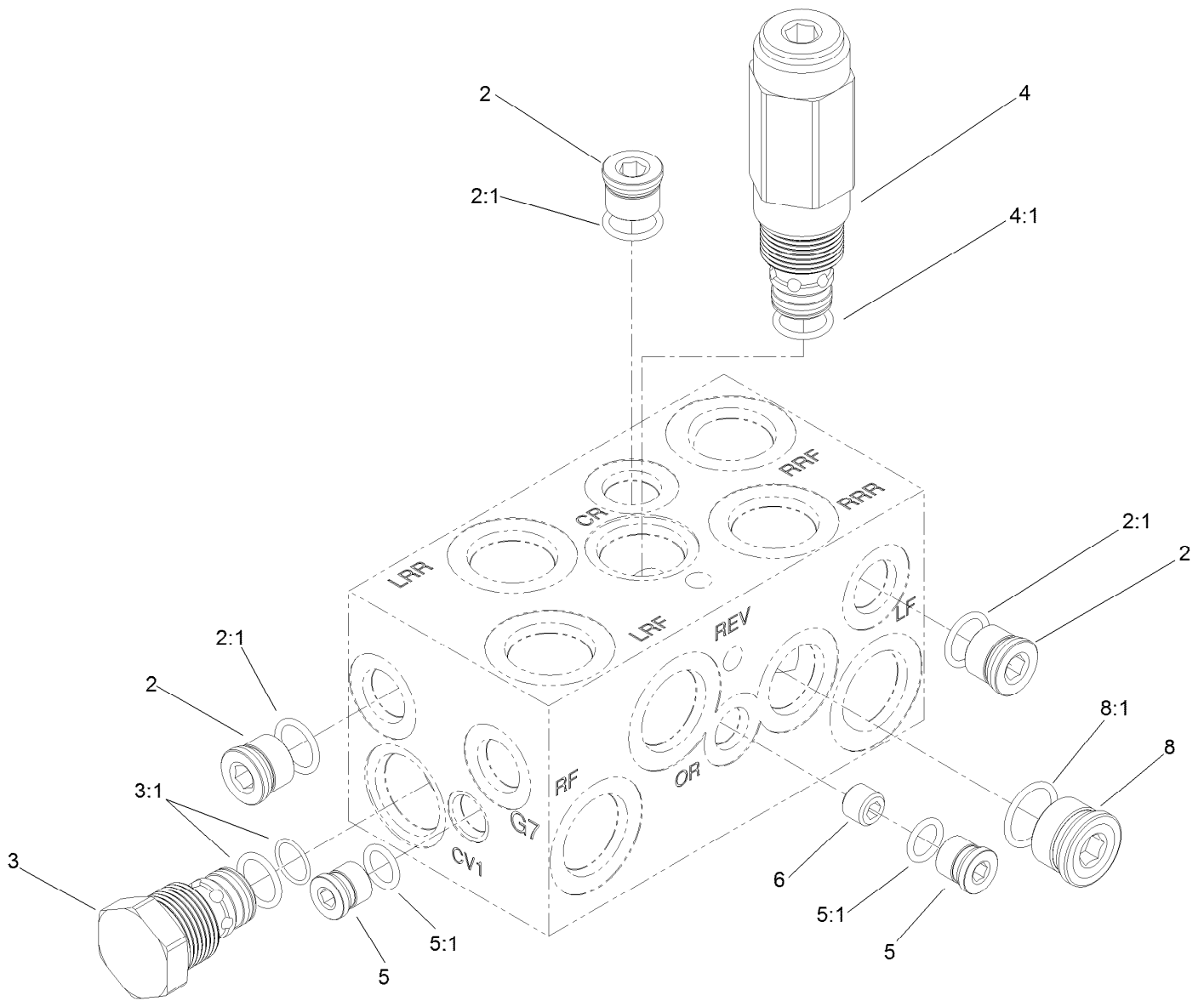
ASSEMBLE WITH WEDGE
SIDE DOWN INTO COMMUTATOR FACE

Hydraulic Motor Assembly No. 110-0901

Ref.	Part Number	Qty.	Description
1	110-8897	1	Seal Kit ●
1:1		1	Seal-Commutator, Vespel ■
1:2		1	Seal-Shaft ■
1:3		5	Seal-Body, Buna ■
1:4		1	Seal-Dirt / Water ■
2	3257-42	1	Key-Woodruff

● Not illustrated

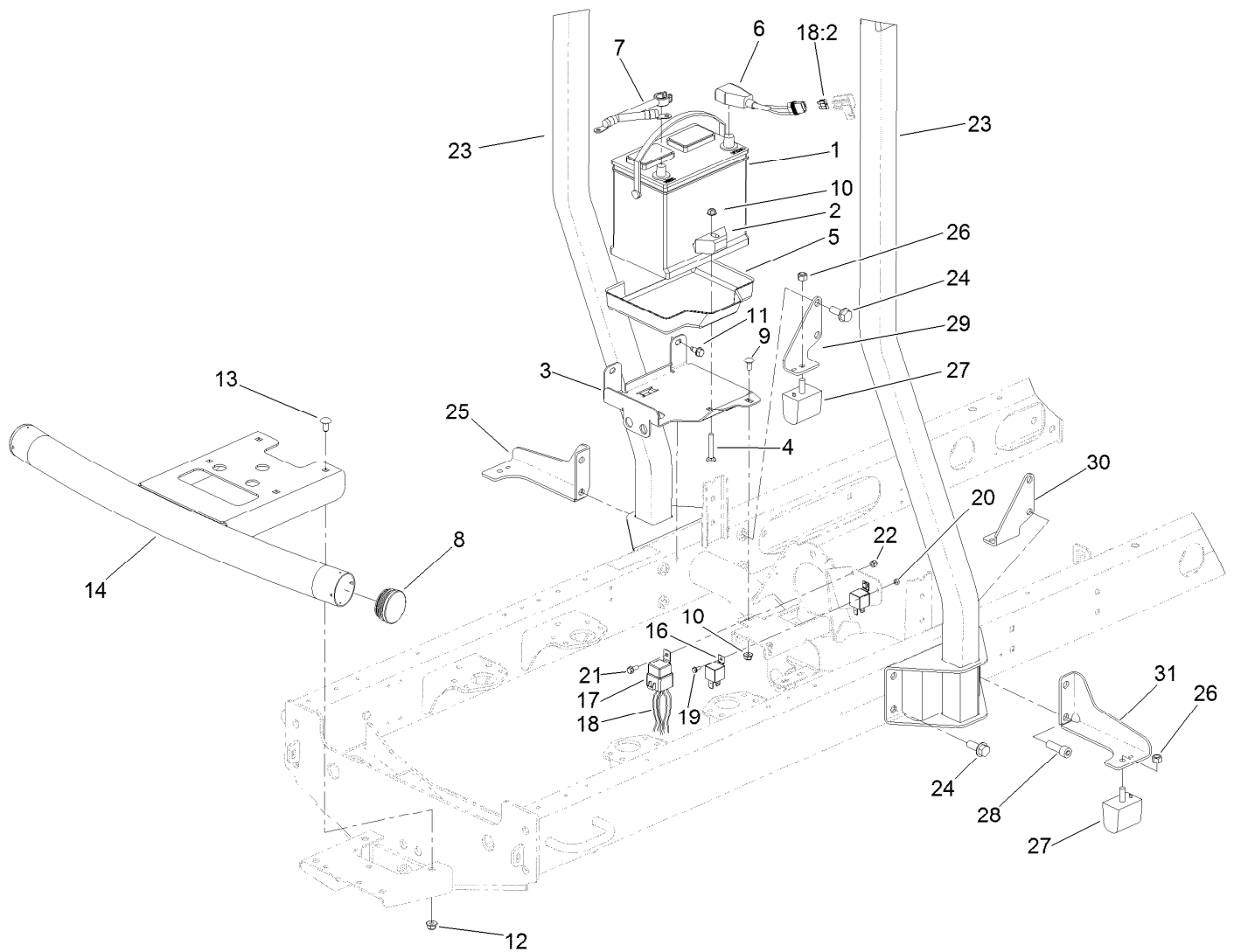
■ Not serviced separately



Four Wheel Drive Manifold Assembly No. 108-1825

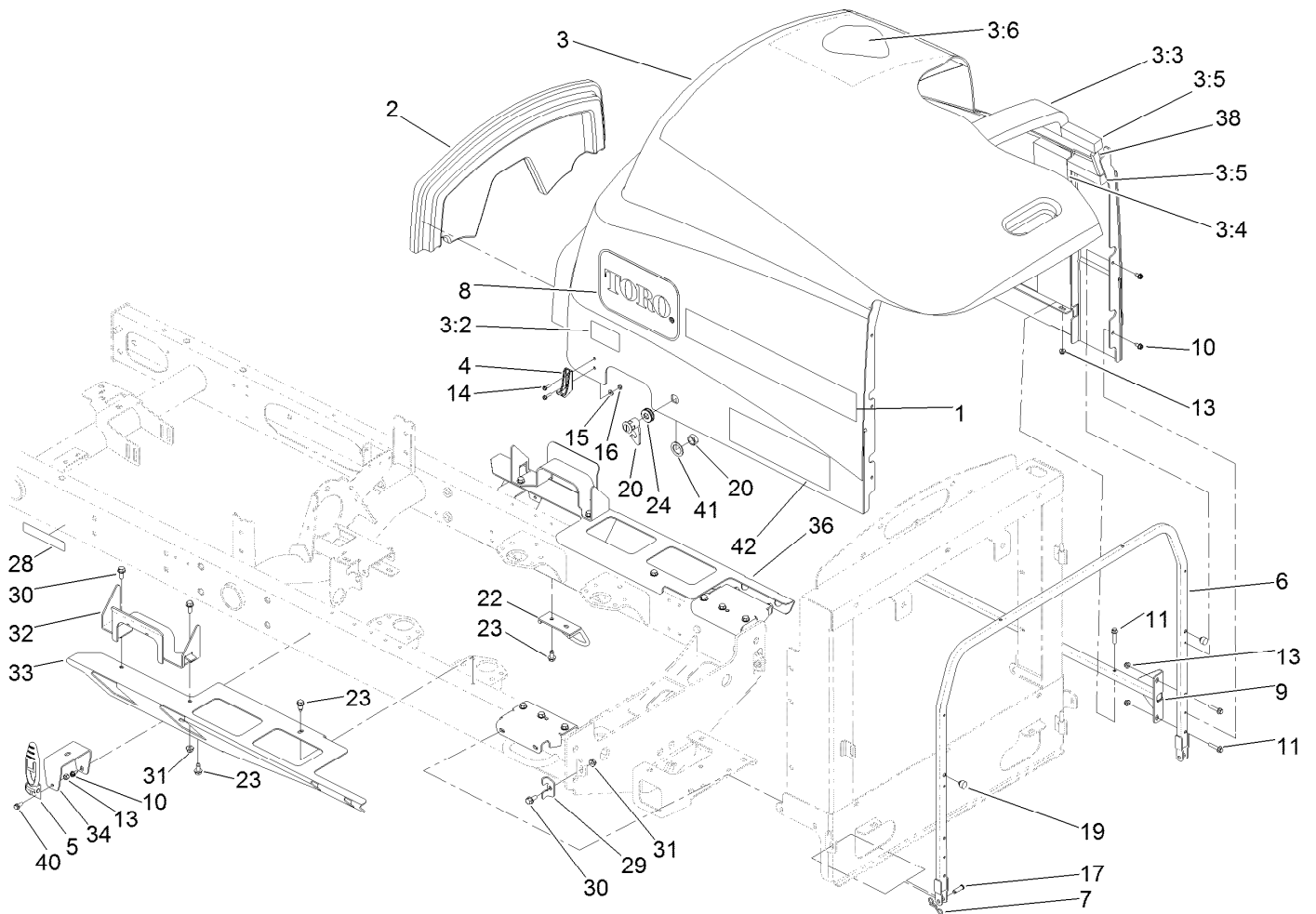
Ref.	Part Number	Qty.	Description
2	106-1026	3	Plug-HYD
2:1	237-42	1	O-Ring
3	110-8881	2	Valve-Check
3:1	105-9159	1	Seal Kit ●
4	110-8882	1	Valve-Relief, Cross Over
4:1	110-6316	1	Seal Kit
5	106-1025	2	Plug-HYD
5:1	237-78	1	O-Ring
6	110-8883	1	Plug-Orifice (0.040)
8	106-1027	1	Plug-HYD
8:1	237-79	1	O-Ring

● Not illustrated



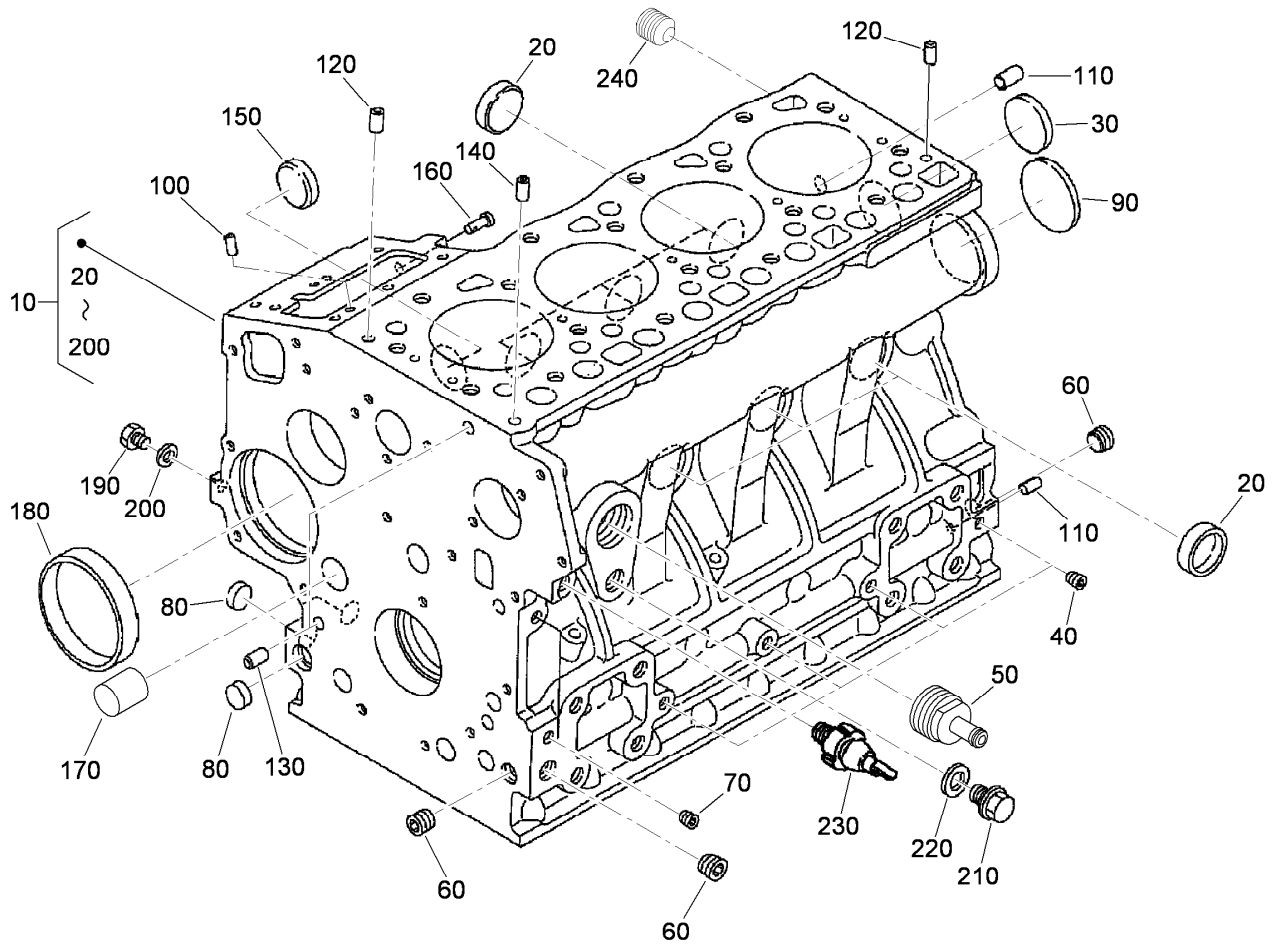
Battery and Bumper Assembly

Ref.	Part Number	Qty.	Description	Ref.	Part Number	Qty.	Description
1	104-9979	1	Battery	18	117-0153	1	Harness-Wire
2	66-2490	1	Retainer-Battery	18:2	94-6710	1	Fuse-2 Amp
3	110-0907-01	1	Bracket-Battery	19	3290-321	2	Screw-HWH
4	3230-6	1	Screw-CARR	20	3296-2	2	Nut-Lock, NI
5	99-3513	1	Tray-Battery	21	3234-33	1	Screw-HHF
6	108-1802	1	Cable-Battery, Positive	22	3296-42	1	Nut-Lock, NI
7	110-8813	1	Cable-Battery, Negative	23	110-8920	1	ROPS ASM
8	2410-42	2	Cap-End	24	3234-38	8	Screw-HHF
9	3230-1	1	Bolt-CARR	25	117-0184-03	1	Bracket-Bumper, LH
10	104-8300	2	Nut-Flange, NI	26	33025-00	4	Nut-Lock, NI
11	32104-32	2	Screw-HWH	27	87-3470	4	Bumper-Axle, Rear
12	104-8301	4	Nut-Flange, NI	28	3274-4	4	Screw-HSH
13	3231-21	4	Screw-CARR	29	117-0183-03	1	Bracket-Bumper, LH
14	110-8951-03	1	Bumper	30	117-0234-03	1	Bracket-Bumper, RH
16	99-7435	2	Relay-Power	31	117-0233-03	1	Bracket-Bumper, RH
17	99-7430	1	Relay				



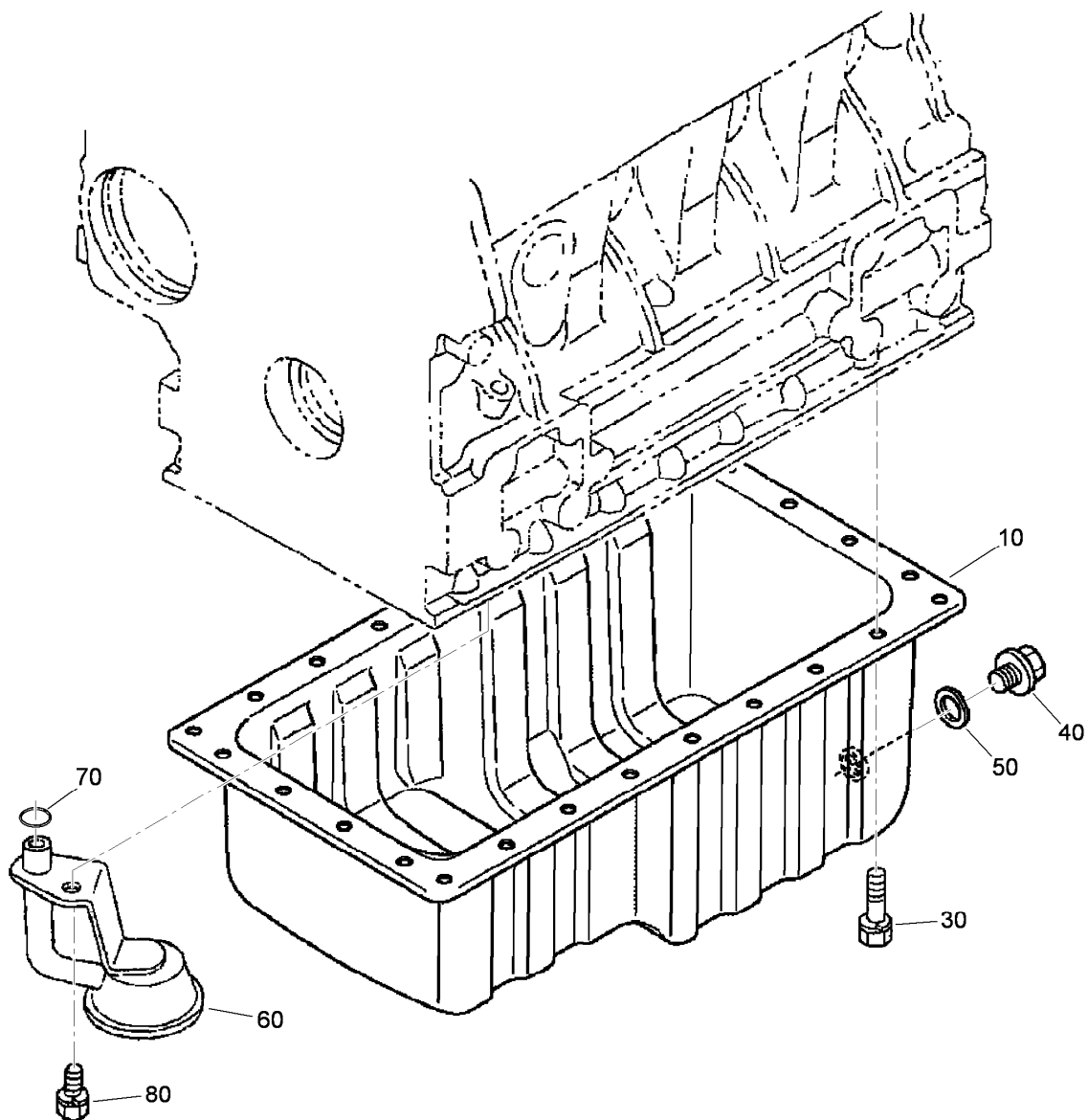
Hood and Body Panel Assembly

Ref.	Part Number	Qty.	Description	Ref.	Part Number	Qty.	Description
1	117-0173	2	Decal	16	3296-12	4	Nut-Lock, NI
2	108-7587	1	Saddle-Hood	17	283-61	2	Pin-Yoke
3	110-8995	1	Hood ASM	19	107-8042	2	Bumper-Rubber
3:2	106-6754	1	Decal-Danger	20	98-5398	1	Latch
3:3	110-8948	1	Foam-Hood	22	110-8999	1	Guard-Muffler
3:4	110-8947	2	Foam-Hood	23	32104-32	6	Screw-HWH
3:5	110-8949	4	Seal-Foam	24	104-1453	1	Grommet
3:6	110-9002	1	Foil Tape Kit	28	93-6689	2	Decal-No Riders
4	103-2897	2	Latch-Catch	29	110-8946	2	Clamp-Frame, Radiator
5	103-2898	2	Latch-Rubber	30	3234-5	6	Screw-HHF
6	110-5277-03	1	Frame-Hood	31	104-8300	6	Nut-Flange, NI
7	105-7512	2	Pin-Tie, Bow	32	110-5259-03	2	Bracket-Hood, Guide
8	66-6140	2	Decal	33	110-5253-01	1	Adapter-Hood, LH
9	108-1790-03	2	Tube	34	110-5256-01	2	Bracket-Latch, Hood
10	32104-17	8	Screw-HWH	36	110-5254-01	1	Adapter-Hood, RH
11	3234-21	10	Screw-HHF	38	110-8950	2	Seal-Foam
13	104-7201	12	Nut-HF	40	3234-33	2	Screw-HHF
14	32105-13	4	Screw-HWH	41	99-4958	1	Spacer
15	3256-14	4	Washer-Flat	42	110-8859	2	Decal



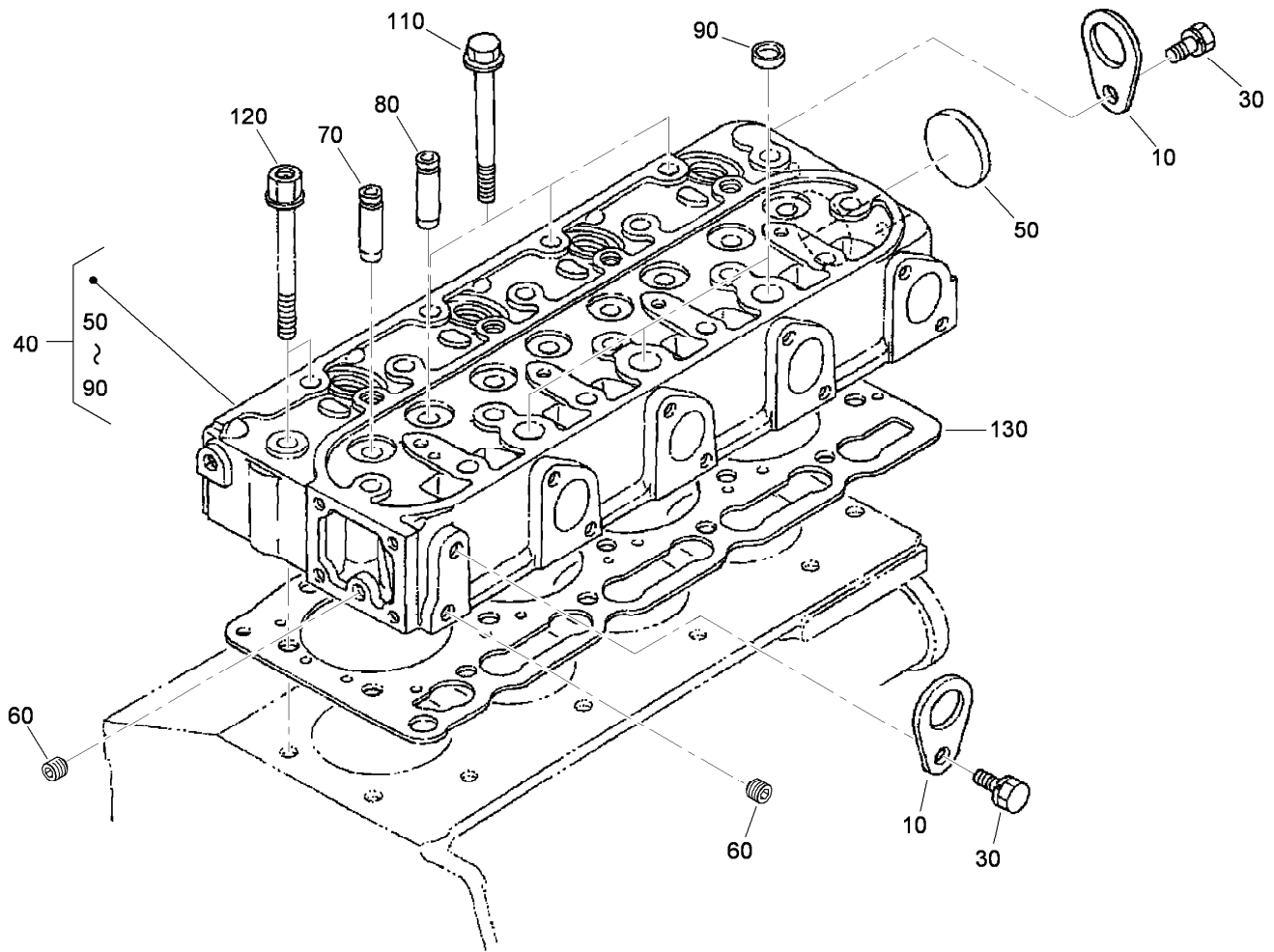
Crankcase Assembly

<i>Ref.</i>	<i>Part Number</i>	<i>Qty.</i>	<i>Description</i>
10	115-4115	1	Crankcase ASM
20	98-9398	6	Cap-Sealing
30	98-7539	1	Cap-Sealing
40	98-7540	4	Plug
50	99-8347	1	Joint-Pipe, Drain
60	98-9597	3	Plug
70	98-7487	2	Plug
80	98-9379	3	Plug-Expansion
90	98-9668	1	Plug-Expansion
100	98-9375	1	Pin-Straight
110	98-9377	1	Pin-Straight
120	98-9376	2	Pin-Straight
130	98-9387	2	Pin-Pipe
140	98-9539	1	Pin-Pipe
150	98-9599	1	Plug
160	105-3796	1	Pin-Spring, Start
170	98-9675	1	Plug
180	98-9656	1	Bushing-Governor, Gear
190	98-7507	1	Plug
200	98-7428	1	Gasket
210	99-3447	1	Plug
220	106-7056	1	Gasket
230	98-9416	1	Switch-Oil
240	98-9444	1	Plug



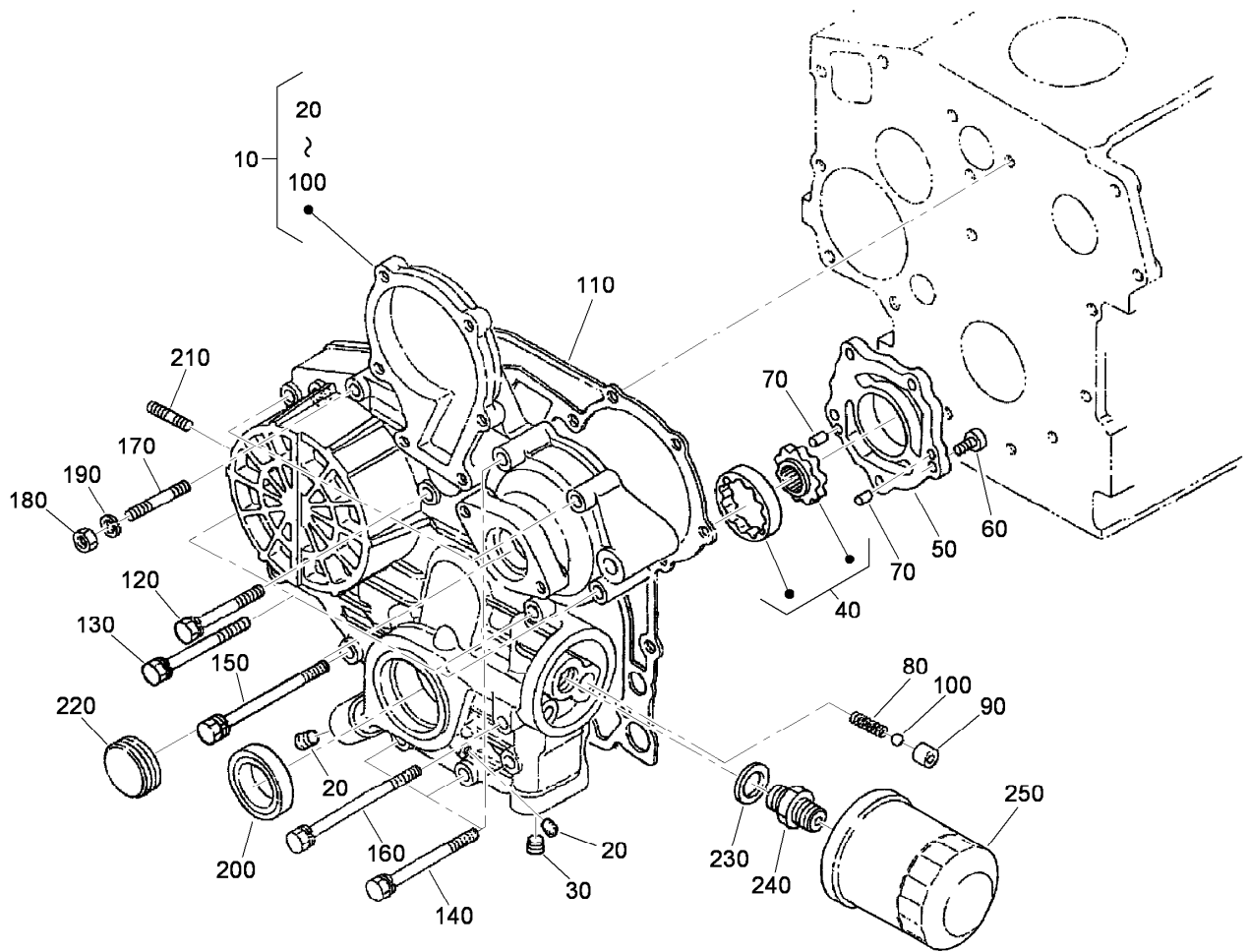
Oil Pan Assembly

<i>Ref.</i>	<i>Part Number</i>	<i>Qty.</i>	<i>Description</i>
10	112-0186	1	Oil Pan ASM
30	98-9351	26	Bolt
40	114-8151	1	Plug-Drain
50	98-7524	1	Gasket
60	112-7003	1	Head-Filter, Oil
70	105-3776	1	O-Ring
80	98-7526	1	Bolt



Cylinder Head Assembly

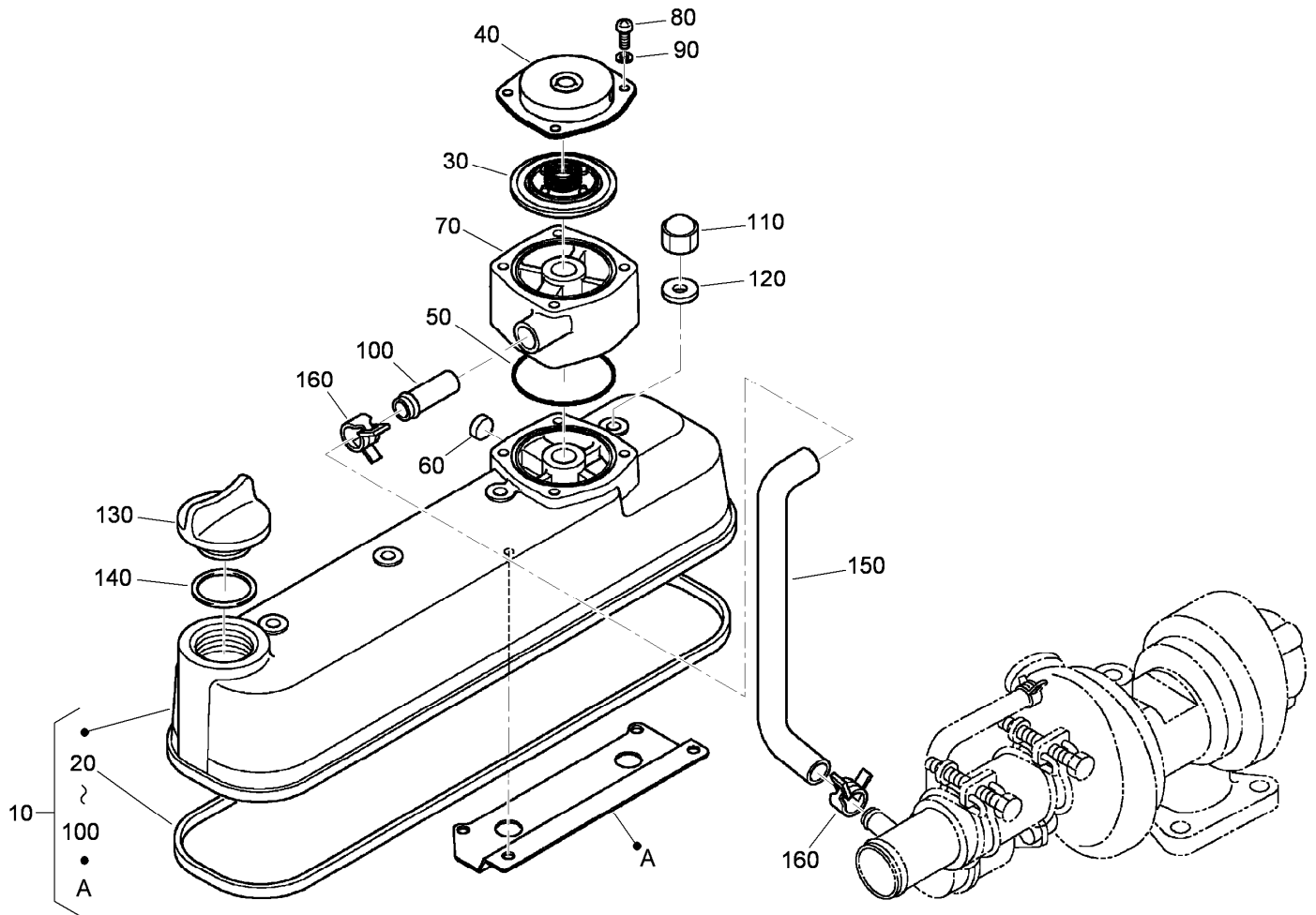
<i>Ref.</i>	<i>Part Number</i>	<i>Qty.</i>	<i>Description</i>
10	98-7531	2	Hook-Engine
30	100-9195	2	Bolt
40	108-2854	1	Cylinder Head ASM
50	105-3705	1	Cap-Sealing
60	98-7540	2	Plug
70	107-9066	4	Guide-Valve, Inlet
80	107-9067	4	Guide-Valve, Exhaust
90	98-9389	3	Cap-Sealing
110	98-9479	16	Bolt-Head, Cylinder
120	98-9647	2	Bolt-Head, Cylinder
130	108-2855	1	Gasket-Head, Cylinder



Gear Case Assembly

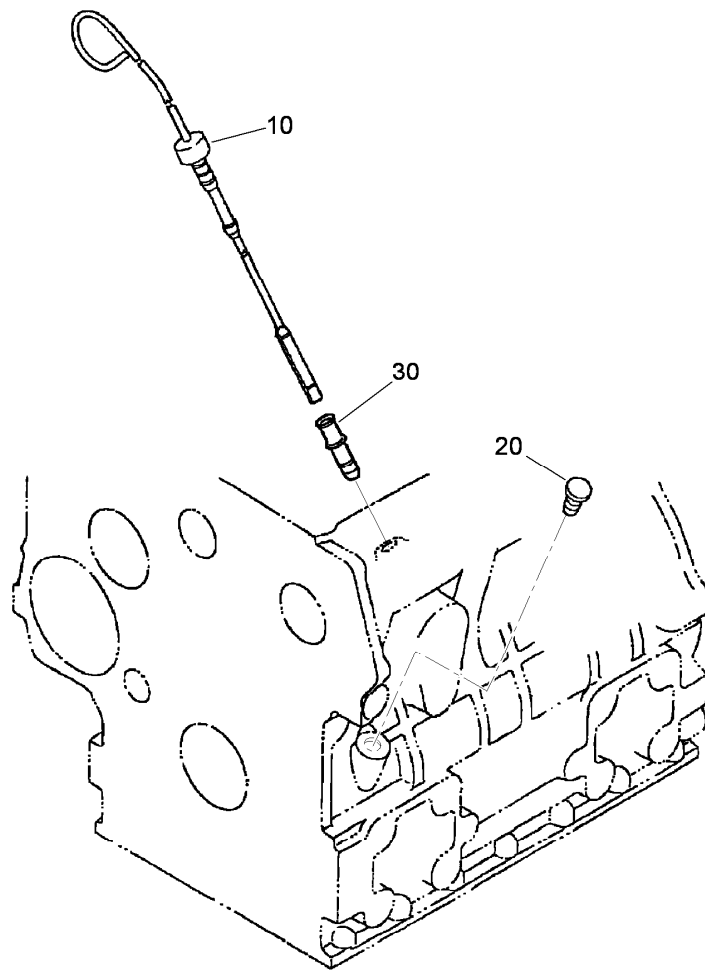
<i>Ref.</i>	<i>Part Number</i>	<i>Qty.</i>	<i>Description</i>
10	115-4111	1	Gear Case ASM
20	98-9598	5	Plug
30	98-7487	1	Plug
40	98-9540	1	Oil Pump Rotor ASM
50	107-9069	1	Cover-Pump, Oil
60	107-9071	1	Screw
70	107-9072	1	Pin-Straight
80	98-9544	1	Spring
90	98-9543	1	Seat-Valve
100	98-9380	1	Ball
110	98-9633	1	Gasket-Case, Gear
120	98-7496	3	Bolt
130	105-3797	4	Bolt

<i>Ref.</i>	<i>Part Number</i>	<i>Qty.</i>	<i>Description</i>
140	98-9356	2	Bolt
150	107-9074	1	Bolt
160	98-9586	1	Bolt
170	105-3709	1	Stud
180	98-7572	1	Nut
190	98-7699	1	Washer-Spring
200	98-9482	1	Seal-Oil
210	105-3710	2	Stud
220	98-9641	1	Cover-Case, Gear
230	98-9727	1	Collar
240	104-5159	1	Holder ASM
250	108-3841	1	Filter-Oil



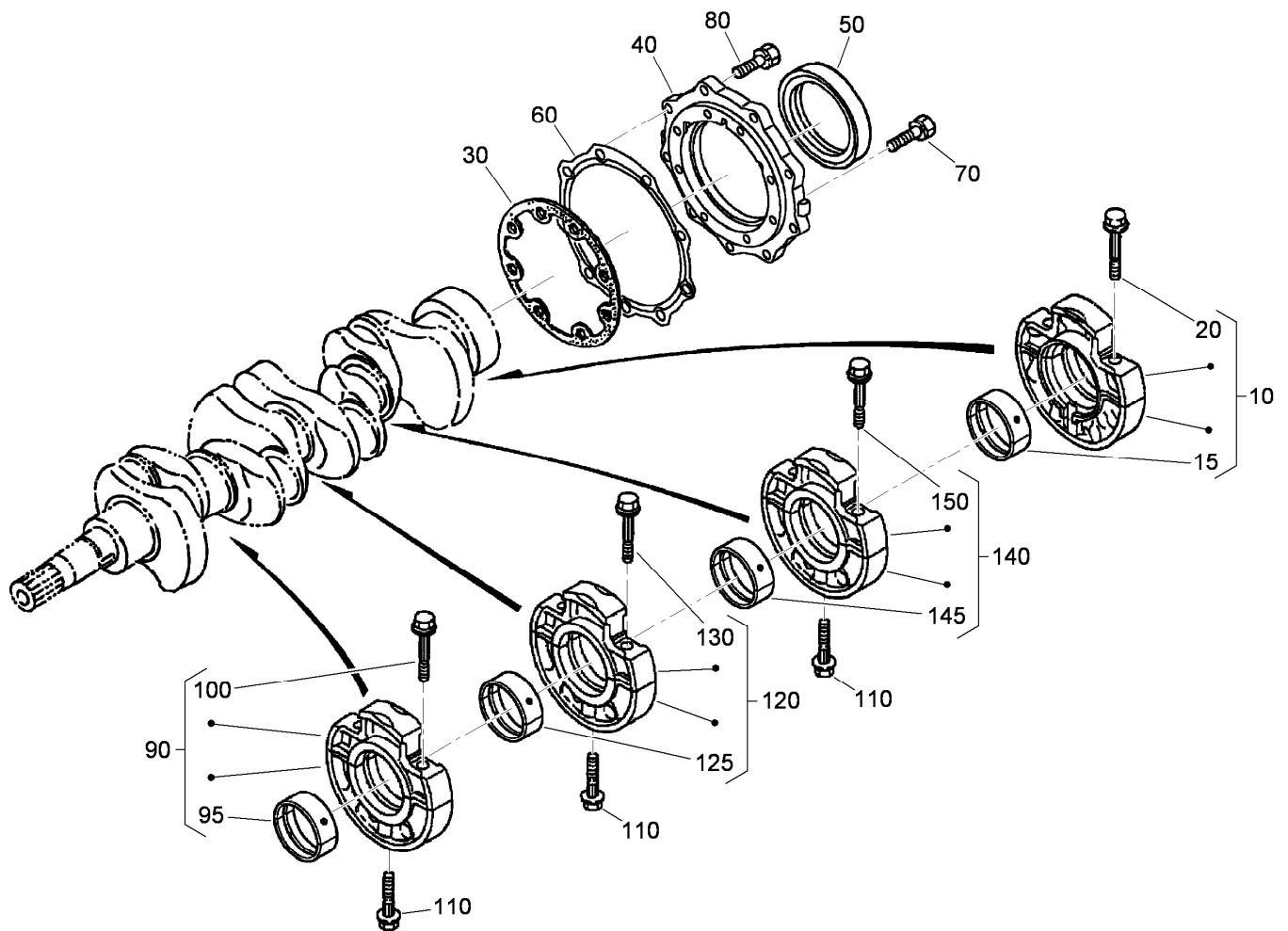
Cylinder Head Cover Assembly

<i>Ref.</i>	<i>Part Number</i>	<i>Qty.</i>	<i>Description</i>
10	115-3041	1	Cylinder Head Cover ASM
20	105-3712	1	Gasket-Cover, Head
30	110-3715	1	Valve-Breather
40	110-3714	1	Cover-Breather
50	110-3846	1	O Ring-Breather
60	115-3042	1	Cap-Sealing
70	115-3043	1	Spacer-Breather
80	115-3044	4	Screw-Pan Head
90	100-2204	4	Washer-Spring
100	98-7766	1	Pipe-Return, Water
110	98-9455	4	Nut-Cap
120	98-9454	4	Gasket
130	107-9075	1	Plug-Filler, Oil
140	99-3446	1	O-Ring
150	115-4119	1	Tube-Breather, Turbo
160	108-2859	2	Clamp-Hose



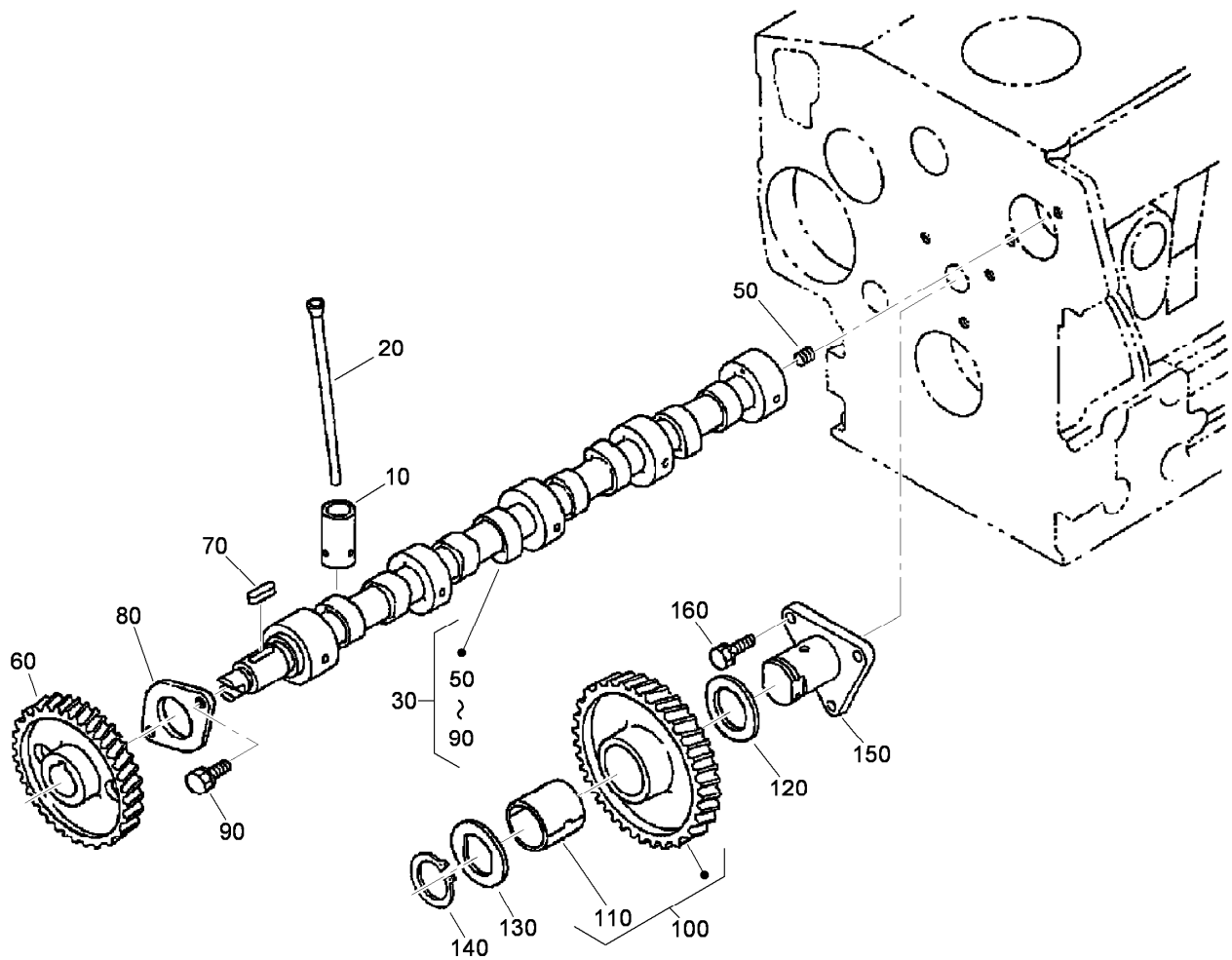
Dipstick and Guide Assembly

<i>Ref.</i>	<i>Part Number</i>	<i>Qty.</i>	<i>Description</i>
10	105-3714	1	Gauge-Oil
20	110-3720	1	Plug-Gauge, Oil
30	105-4580	1	Guide-Gauge, Oil



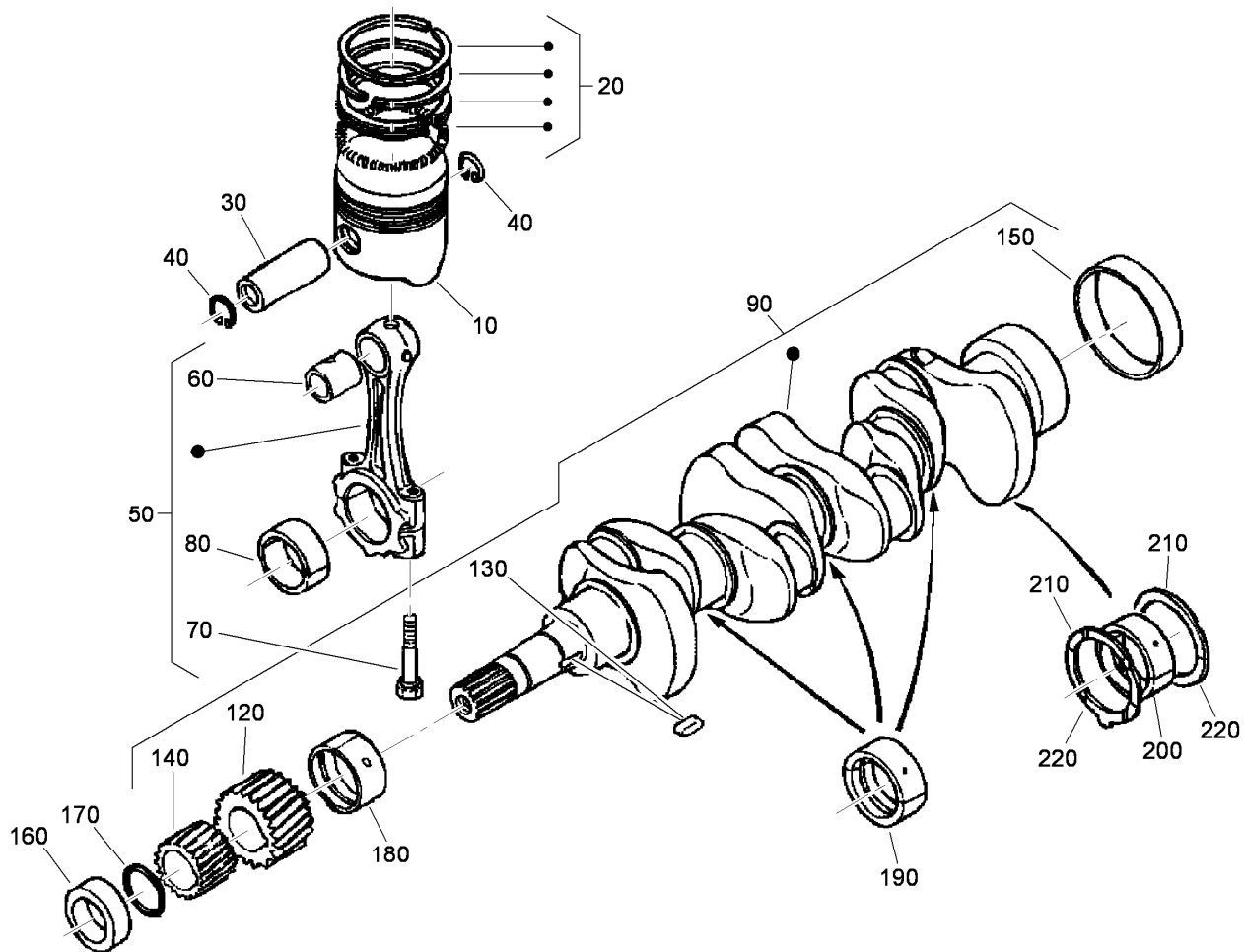
Main Bearing Case Assembly

<i>Ref.</i>	<i>Part Number</i>	<i>Qty.</i>	<i>Description</i>
10	112-7026	1	Wheel Bearing Case ASM
15	112-7045	1	Metal-Crankshaft
20	98-9484	2	Bolt-Case, Bearing
30	98-9634	1	Gasket-Case, Bearing
40	112-7046	1	Cover-Case, Bearing
50	112-0180	1	Seal-Oil
60	112-7037	1	Gasket-Cover, Case
70	98-9352	8	Bolt
80	98-7568	9	Bolt
90	112-7028	1	Bearing ASM
95	112-7011	1	Bearing-Main (STD)
100	98-9484	2	Bolt-Case, Bearing
110	98-9485	3	Bolt-Case, Bearing
120	112-7027	1	Bearing ASM
125	112-7011	1	Bearing-Main (STD)
130	98-9484	2	Bolt-Case, Bearing
140	115-4120	1	Bearing Case ASM
145	112-7011	1	Bearing-Main (STD)
150	98-9484	2	Bolt-Case, Bearing



Cam Shaft and Idle Gear Shaft Assembly

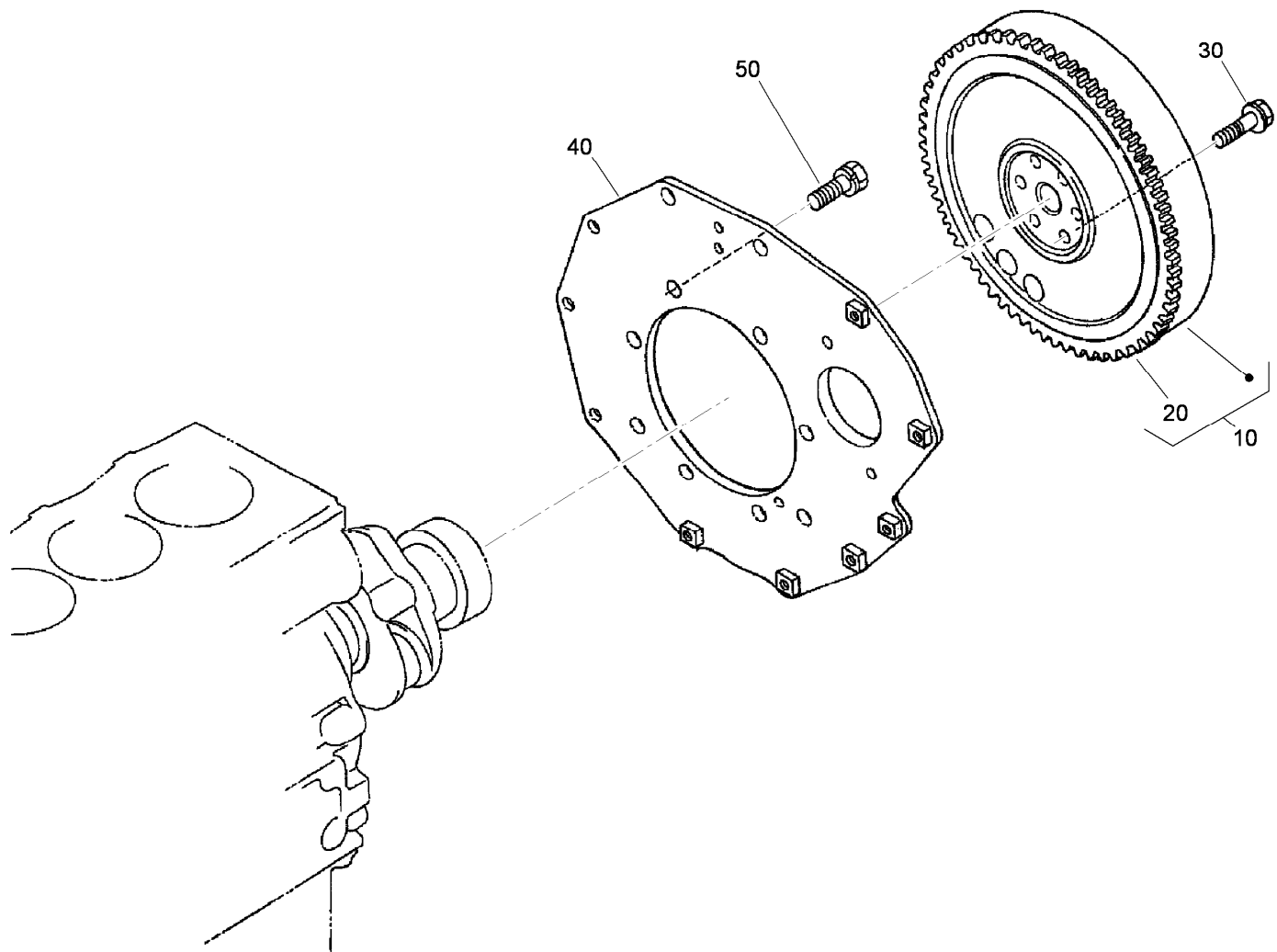
<i>Ref.</i>	<i>Part Number</i>	<i>Qty.</i>	<i>Description</i>
10	112-0185	8	Tappet
20	98-9509	8	Rod-Push
30	112-8402	1	Camshaft ASM
50	98-7449	1	Screw-Set
60	98-9512	1	Gear-Cam
70	98-9378	1	Key-Feather
80	98-9510	1	Stopper-Camshaft
90	98-7692	2	Bolt
100	98-9649	1	Idle Gear ASM
110	98-9650	1	Bushing-Gear, Idle
120	98-9535	1	Collar-Gear, Idle
130	98-9536	1	Collar-Gear, Idle
140	98-9534	1	Circlip-Gear, Idle
150	98-9533	1	Shaft-Gear, Idle
160	98-7692	3	Bolt



Piston and Crankshaft Assembly

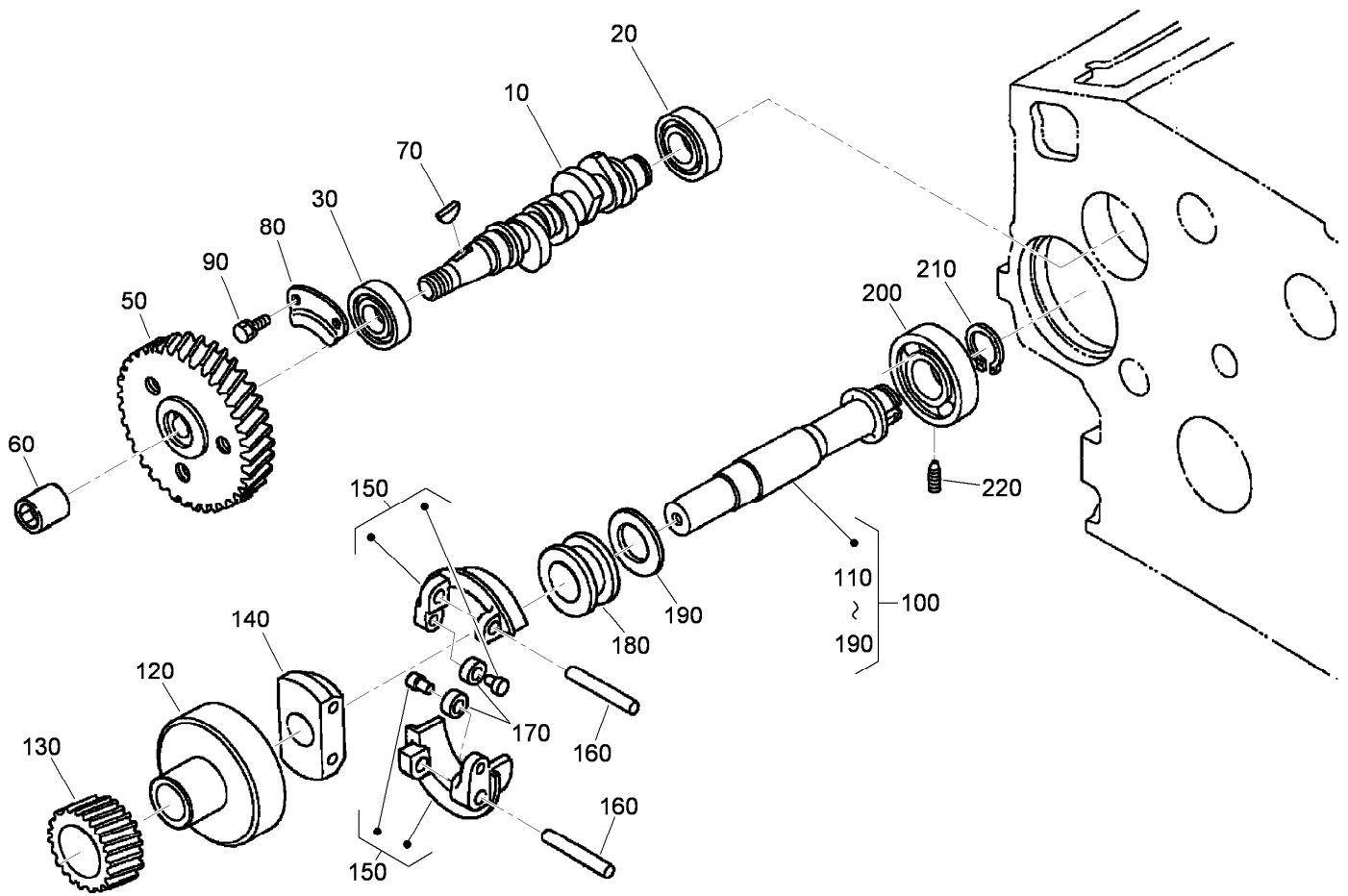
<i>Ref.</i>	<i>Part Number</i>	<i>Qty.</i>	<i>Description</i>
10	98-9550	4	Piston (STD)
10	108-1417	4	Piston (0.5Mm)
20	98-9551	4	Piston Ring ASM (STD)
20	108-1404	4	Piston Ring ASM (0.5Mm)
30	98-9513	4	Pin-Piston
40	98-9514	8	Circlip-Pin, Piston
50	98-9552	4	Connecting Rod ASM
60	115-3014	4	Bushing-Pin, Piston
70	98-9517	8	Bolt-Rod, Connecting
80	98-9553	4	Bearing-Rod (STD)
80	108-1405	4	Metal-Crankpin (-0.2Mm)
80	108-1406	4	Metal-Crankpin (-0.4Mm)
90	105-3718	1	Crankshaft ASM
120	98-9532	1	Gear-Crankshaft
130	98-9666	1	Key
140	98-9542	1	Gear-Drive, Oil Pump
150	98-9522	1	Sleeve-Crankshaft

<i>Ref.</i>	<i>Part Number</i>	<i>Qty.</i>	<i>Description</i>
160	98-9521	1	Collar-Crankshaft
170	105-3783	1	O-Ring
180	112-7005	1	Bearing-Main (STD)
180	112-7009	1	Metal-Crankpin (-0.2Mm)
180	112-7010	1	Metal-Crankpin (-0.4Mm)
190	112-7011	3	Bearing-Main (STD)
190	112-7012	3	Metal-Crankpin (-0.2Mm)
190	112-7013	3	Metal-Crankpin (-0.4Mm)
200	112-7006	1	Bearing-Main (STD)
200	112-7007	1	Metal-Crankshaft (.2Mm)
200	112-7040	1	Metal-Crankshaft (-0.4Mm)
210	98-9413	2	Bearing-Thrust (STD)
210	98-9414	2	Bearing-Thrust (0.2Mm)
210	98-9415	2	Bearing-Thrust (0.4Mm)
220	98-9688	2	Bearing-Thrust (STD)
220	98-9689	2	Bearing-Thrust (0.2Mm)
220	98-9690	2	Bearing-Thrust (0.4Mm)



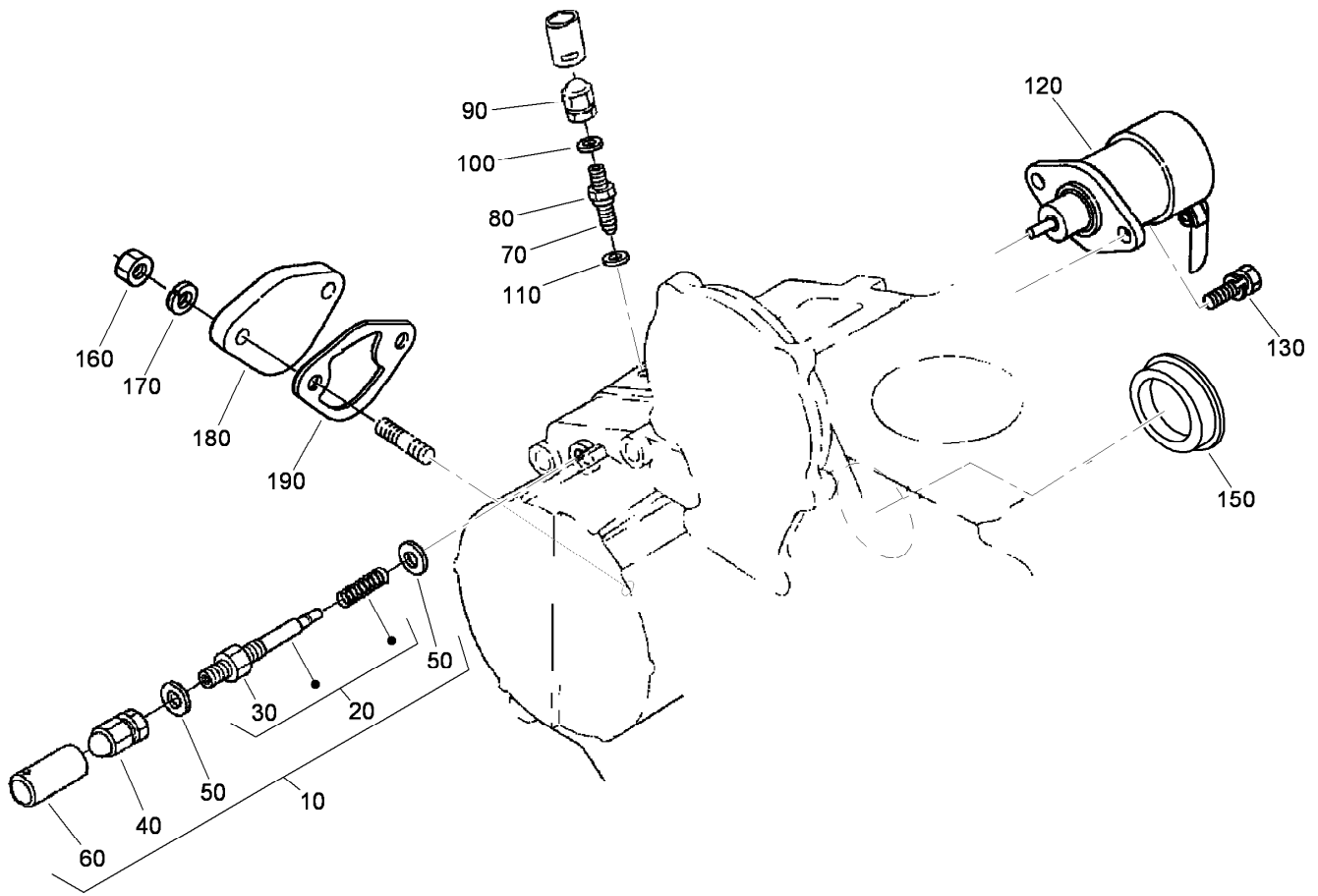
Flywheel Assembly

<i>Ref.</i>	<i>Part Number</i>	<i>Qty.</i>	<i>Description</i>
10	105-3721	1	Flywheel ASM
20	115-3015	1	Gear-Ring
30	98-9537	6	Bolt-Flywheel
40	98-9486	1	Plate-End, Rear
50	98-9392	8	Bolt



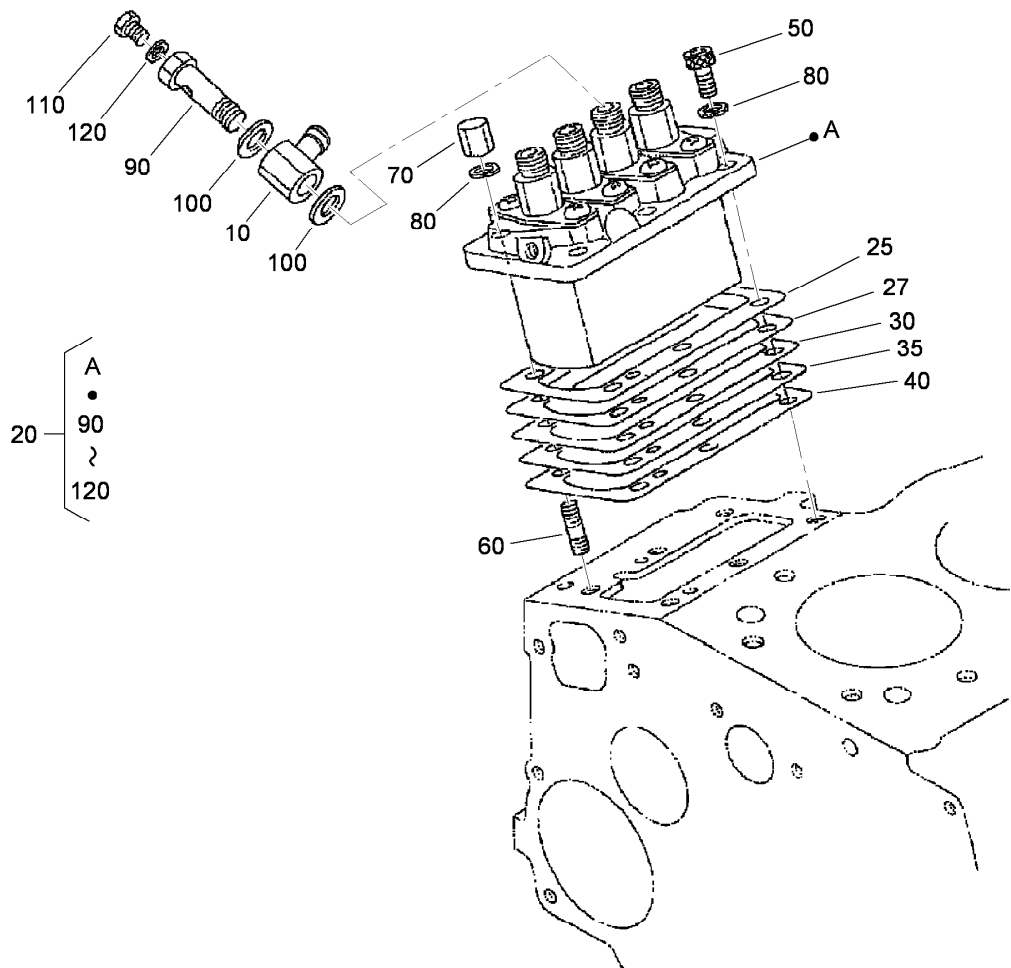
Fuel Camshaft and Governor Shaft Assembly

<i>Ref.</i>	<i>Part Number</i>	<i>Qty.</i>	<i>Description</i>
10	105-3723	1	Camshaft-Fuel
20	107-9077	1	Bearing-Ball
30	107-9078	1	Bearing-Ball
50	98-9669	1	Gear-Pump, Injection
60	98-9590	1	Nut-Cap
70	98-9595	1	Key-Woodruff
80	98-9511	1	Stopper-Fuel, Camshaft
90	98-7692	2	Bolt
100	105-3724	1	Governor Shaft ASM
110	105-3725	1	Shaft, Governor
120	98-9562	1	Holder-Gear, Governor
130	98-9673	1	Gear-Governor
140	98-9561	1	Holder-Weight, Governor
150	98-9559	2	Governor Weight ASM
160	98-9560	2	Shaft-Weight, Governor
170	98-9692	2	Roller
180	98-9563	1	Sleeve-Governor
190	98-9564	1	Washer-Thrust
200	107-9079	1	Bearing-Ball
210	98-9657	1	Circlip-Shaft, Governor
220	98-9565	1	Screw-Set



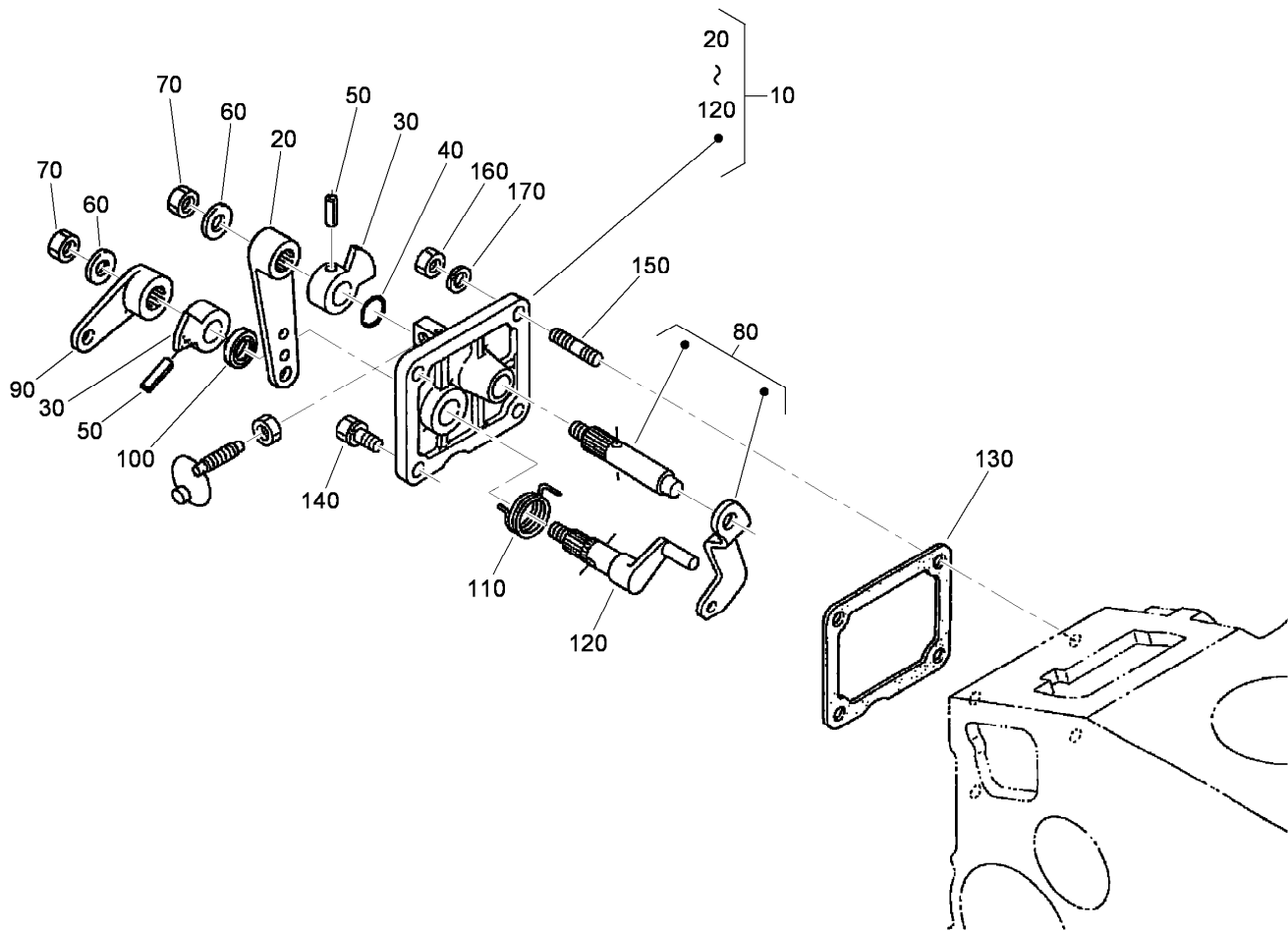
Idle Apparatus Assembly

<i>Ref.</i>	<i>Part Number</i>	<i>Qty.</i>	<i>Description</i>
10	98-9678	1	Idle Apparatus ASM
20	112-7014	1	Adjusting Bolt ASM
30	98-9439	1	Nut
40	112-0181	1	Nut
50	98-7654	2	Gasket
60	98-7656	1	Cap
70	112-7015	1	Bolt-Adjusting
80	100-2175	1	Nut-Lock
90	112-0181	1	Nut
100	98-7654	1	Gasket
110	107-9081	1	Gasket
120	104-5155	1	Solenoid-Stop
130	115-3039	2	Bolt-HSH
150	112-7016	1	Cover-Pump
160	98-7572	2	Nut
170	98-7699	2	Washer-Spring
180	99-3514	1	Cover
190	98-9636	1	Gasket-Pump, Fuel



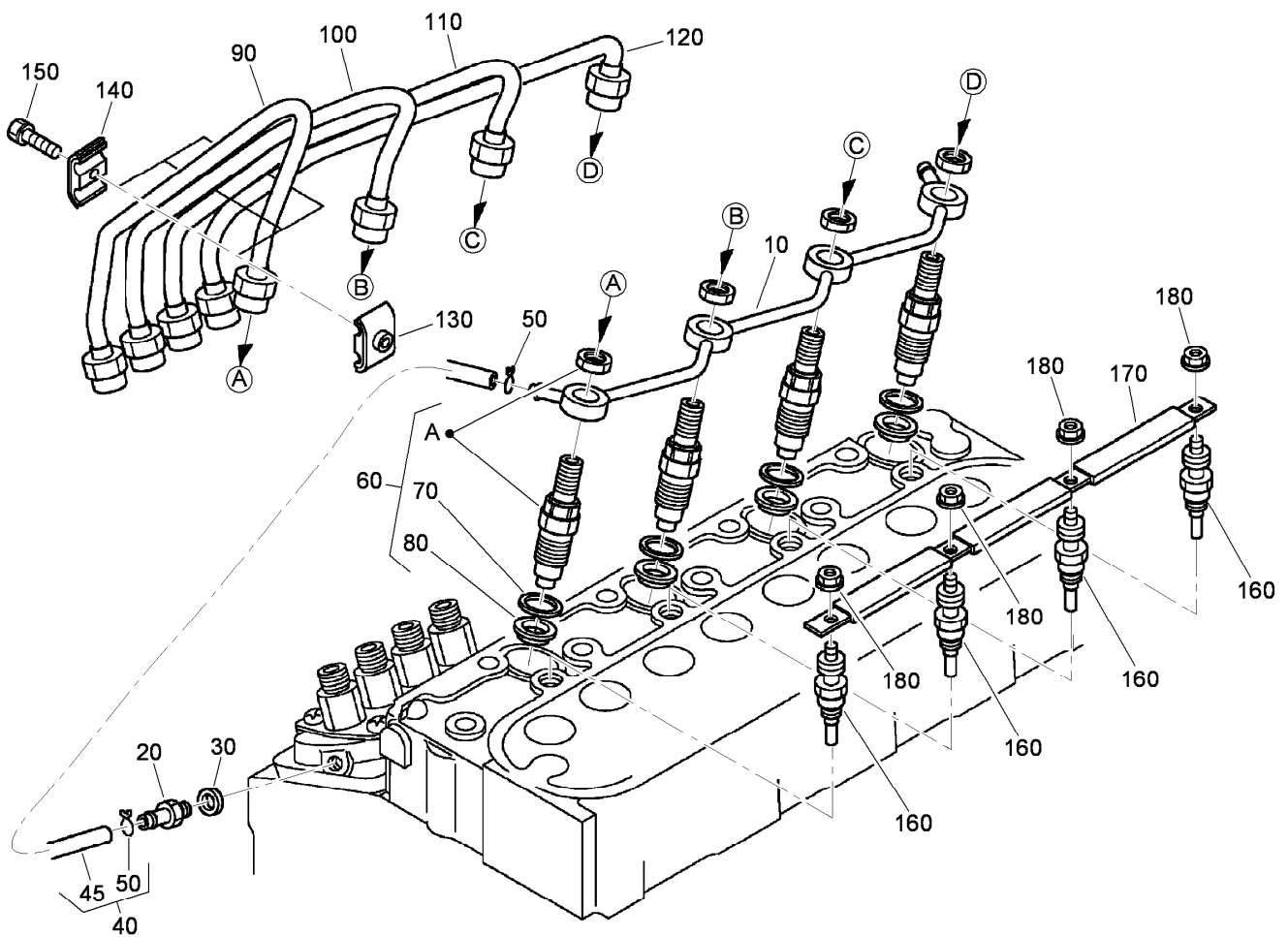
Injection Pump Assembly

<i>Ref.</i>	<i>Part Number</i>	<i>Qty.</i>	<i>Description</i>
10	98-9596	1	Joint-Eye
20	105-3727	1	Injection Pump ASM
25	115-3016	1	Shim-Pump, Injection (.350Mm)
27	115-3017	1	Shim-Pump, Injection (.175Mm)
30	105-3728	1	Shim-Pump, Injection (.20Mm)
35	105-3729	1	Shim-Pump, Injection (.25Mm)
40	105-3730	1	Shim-Pump, Injection (.30Mm)
50	98-9361	3	Bolt-HSH
60	98-9438	3	Stud
70	98-9440	3	Nut-Cap
80	98-7699	6	Washer-Spring
90	98-9464	1	Bolt-Joint
100	98-9445	2	Gasket
110	98-9430	1	Screw
120	98-9446	1	Gasket



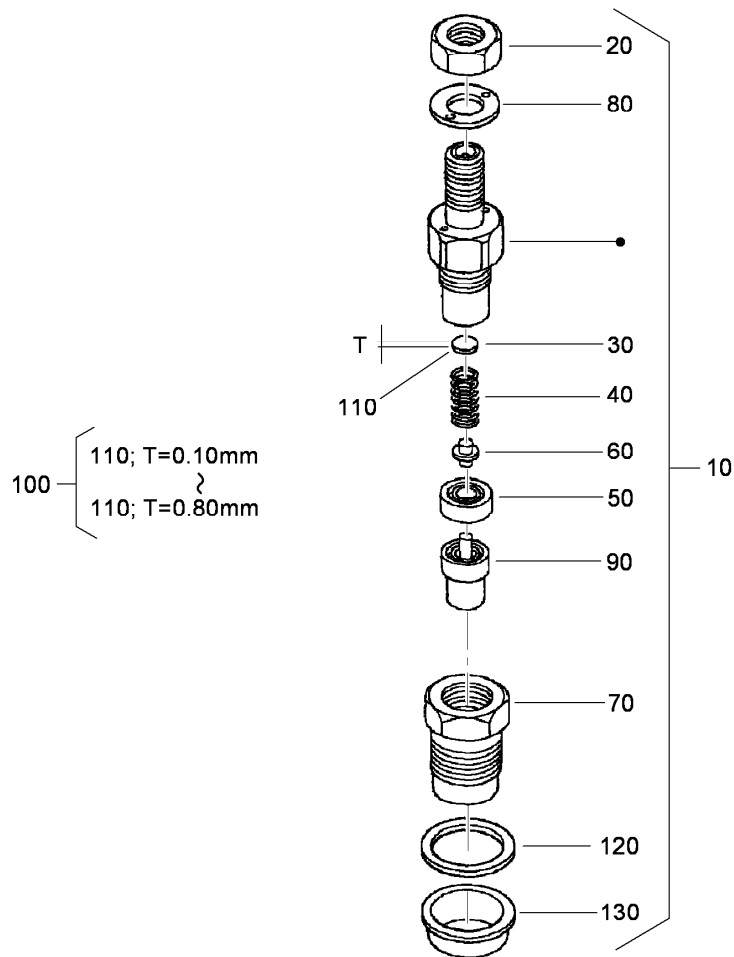
Speed Control Plate Assembly

<i>Ref.</i>	<i>Part Number</i>	<i>Qty.</i>	<i>Description</i>
10	105-3735	1	Control Plate ASM
20	98-9662	1	Lever-Control, Speed
30	98-9572	2	Lever-Control, Speed
40	105-3788	1	O-Ring
50	98-7602	2	Pin-Spring
60	98-9594	2	Washer-Plain
70	98-9589	2	Nut
80	98-9658	1	Governor Lever ASM
90	98-9663	1	Lever-Stop, Engine
100	98-7601	1	Seal-Oil
110	98-9472	1	Spring-Return
120	98-9664	1	Shaft-Lever, Stop
130	98-9637	1	Gasket
140	98-7692	2	Bolt
150	105-3710	2	Stud
160	98-7572	2	Nut
170	98-7699	2	Washer-Spring



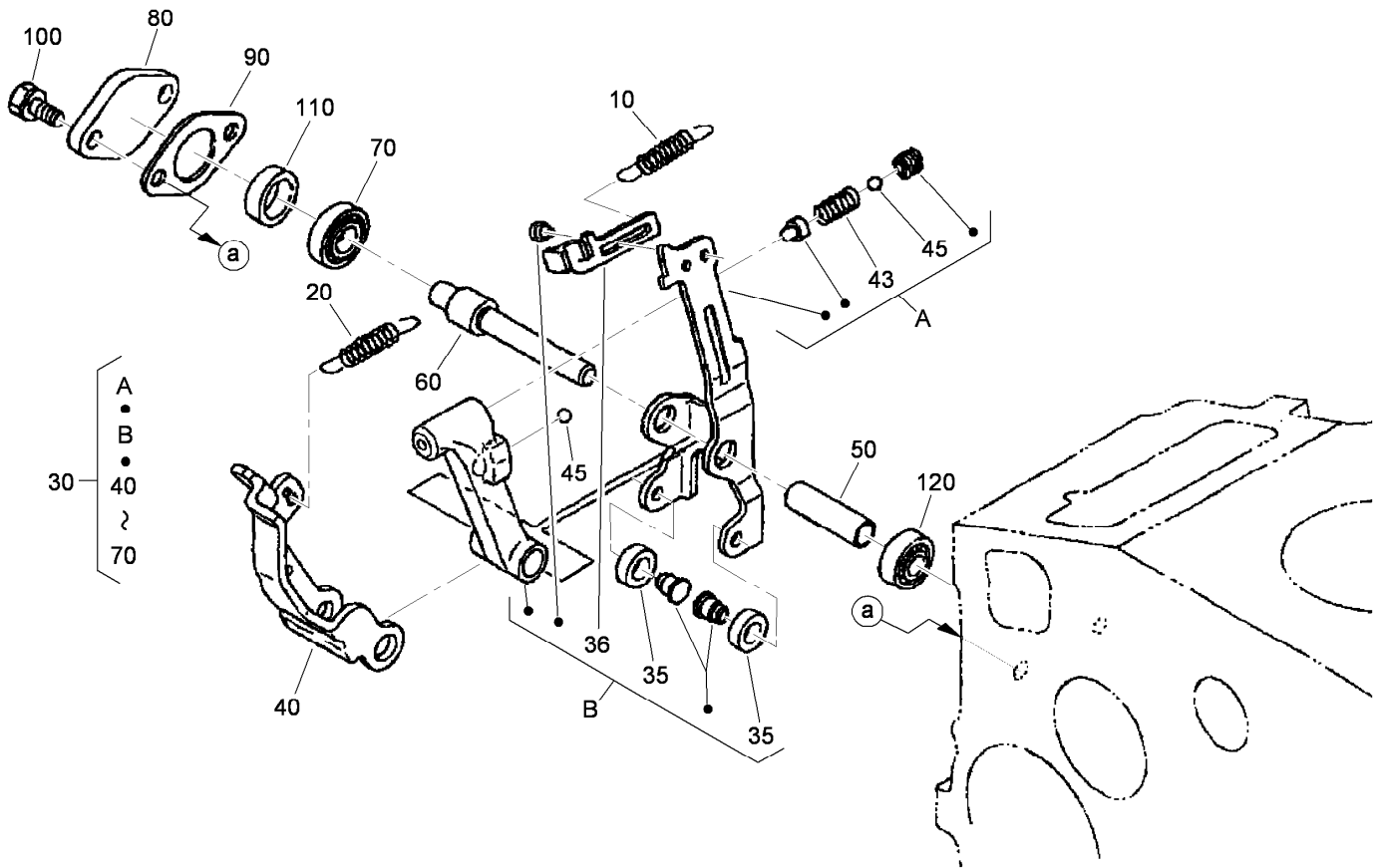
Nozzle Holder and Glow Plug Assembly

Ref.	Part Number	Qty.	Description
10	105-3737	1	Over Flow Pipe ASM
20	98-9431	1	Screw-Bleeder, Air
30	98-7654	1	Gasket
40	98-9420	1	Overflow Pipe ASM
45	112-0182	1	Pipe-Overflow
50	98-7671	2	Clip-Pipe
60	108-2866	4	Nozzle Holder Kit
70	98-7676	4	Gasket
80	98-7677	4	Seal-Heat
90	98-9622	1	Pipe-Injection
100	98-9654	1	Pipe-Injection
110	98-9655	1	Pipe-Injection
120	105-3738	1	Pipe-Injection
130	98-7682	3	Clamp-Pipe
140	98-7683	3	Clamp-Pipe
150	98-7684	3	Screw (W/Washer)
160	98-9623	4	Plug-Glow
170	105-3739	1	Cord-Plug, Glow
180	99-8377	4	Nut-Flange



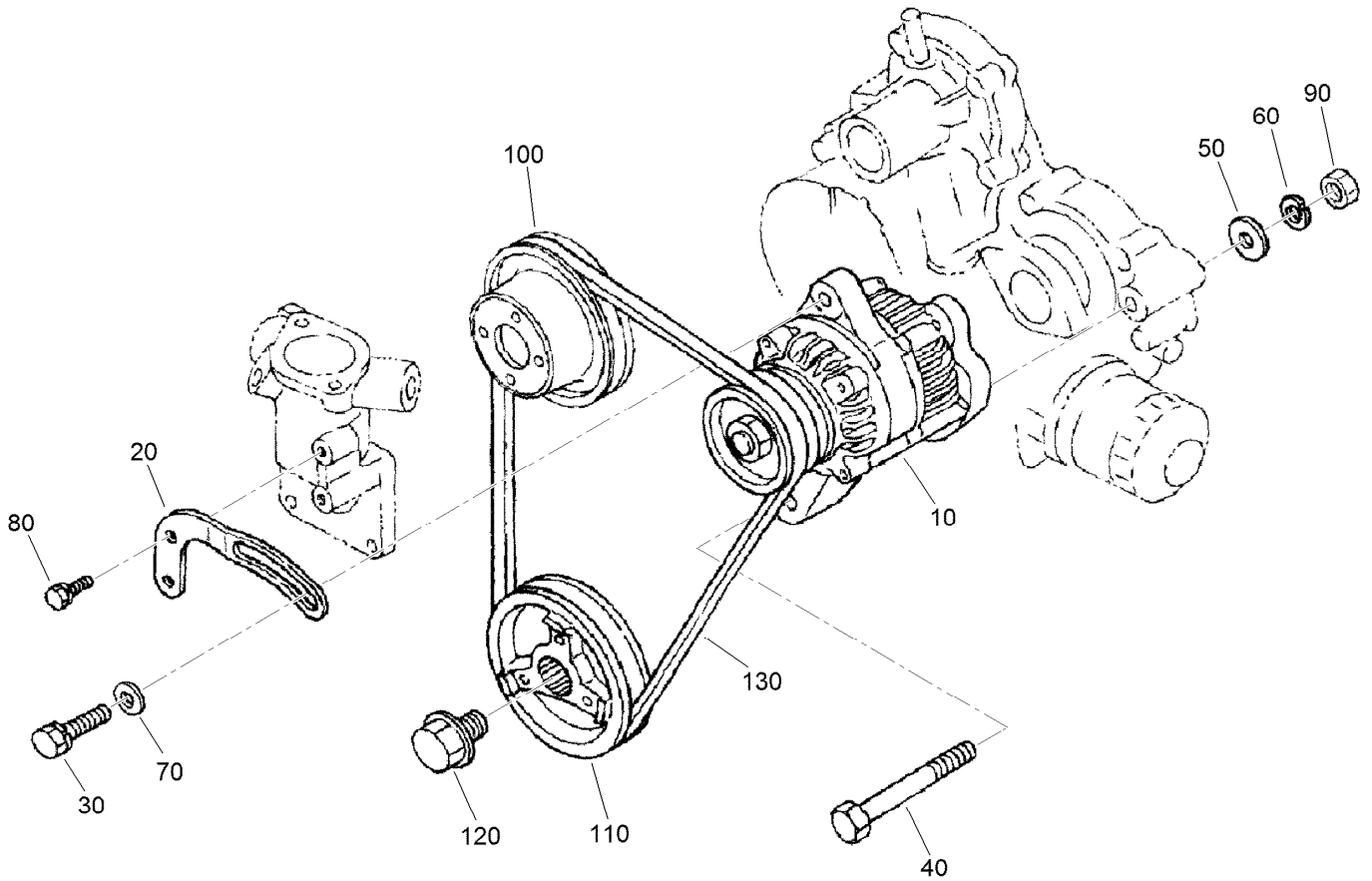
Nozzle Holder Component Assembly

Ref.	Part Number	Qty.	Description
10	108-2866	4	Nozzle Holder Kit
20	99-8301	4	Nut
30	99-8302	4	Washer-Adjusting
40	99-8303	4	Spring-Nozzle
50	99-8304	4	Spacer-Distance
60	99-8305	4	Rod-Push
70	99-8306	4	Nut-Nozzle
80	99-8307	4	Washer-Plain
90	107-7826	4	Piece-Nozzle
100	99-8309	4	Adjusting Washer ASM
110	99-8310	4	Washer-Adjust (0.10Mm)
110	99-8311	4	Washer-Adjust (0.20Mm)
110	99-8312	4	Washer-Adjust (0.30Mm)
110	99-8313	4	Washer-Adjust (0.40Mm)
110	99-8314	4	Washer-Adjust (0.50Mm)
110	99-8315	4	Washer-Adjust (0.52Mm)
110	99-8316	4	Washer-Adjust (0.54Mm)
110	99-8317	4	Washer-Adjust (0.56Mm)
110	99-8318	4	Washer-Adjust (0.58Mm)
110	99-8319	4	Washer-Adjust (0.80Mm)
120	98-7676	4	Gasket
130	98-7677	4	Seal-Heat



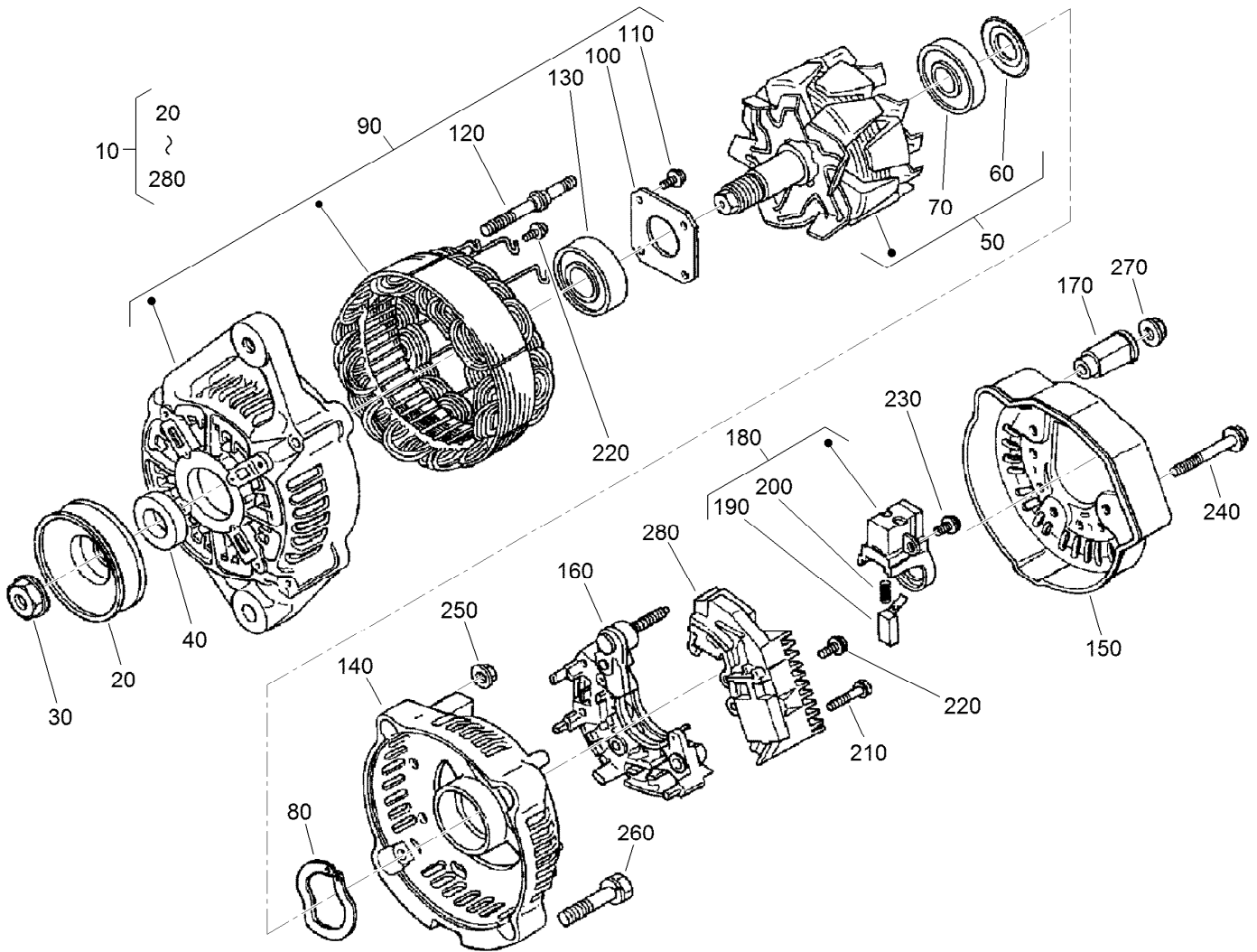
Governor Assembly

Ref.	Part Number	Qty.	Description
10	105-3741	1	Spring-Start
20	98-9681	1	Spring-Governor
30	108-4427	1	Fork Lever ASM
35	98-9692	2	Roller
36	107-9083	1	Lever-Thrust
40	107-9084	1	Lever-Fork
43	108-2867	1	Spring
45	98-7580	2	Ball
50	107-9085	1	Shaft-Lever, Fork
60	107-9086	1	Shaft-Lever, Fork
70	98-9570	1	Bearing-Miniaturize
80	115-4122	1	Cover-Shaft, Fork Lever
90	98-9682	1	Gasket
100	98-9350	2	Bolt
110	98-9567	1	Collar
120	98-9571	1	Bearing-Miniaturize



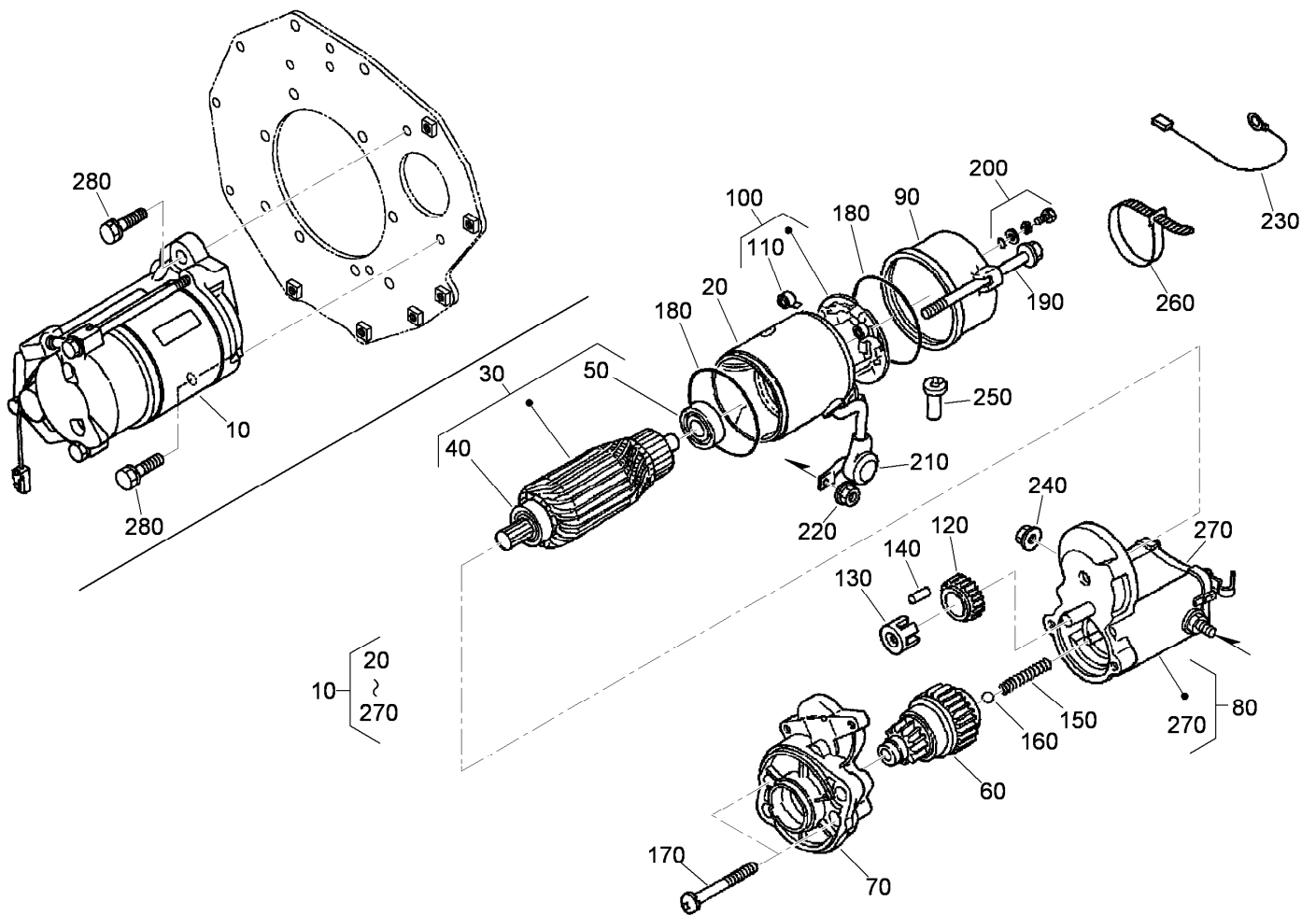
Alternator and Pulley Assembly

<i>Ref.</i>	<i>Part Number</i>	<i>Qty.</i>	<i>Description</i>
10	98-9474	1	Alternator ASM
20	112-7047	1	Stay-Dynamo
30	108-7088	1	Bolt
40	98-9360	1	Bolt
50	98-7696	1	Washer-Plain
60	98-7738	1	Washer-Spring
70	100-9233	1	Washer-Plain
80	98-7692	1	Bolt
90	98-7737	1	Nut
100	110-0972	1	Pulley
110	105-3745	1	Pulley-Drive, Fan
120	98-9585	1	Bolt
130	98-9676	1	V-Belt



Alternator Components Assembly

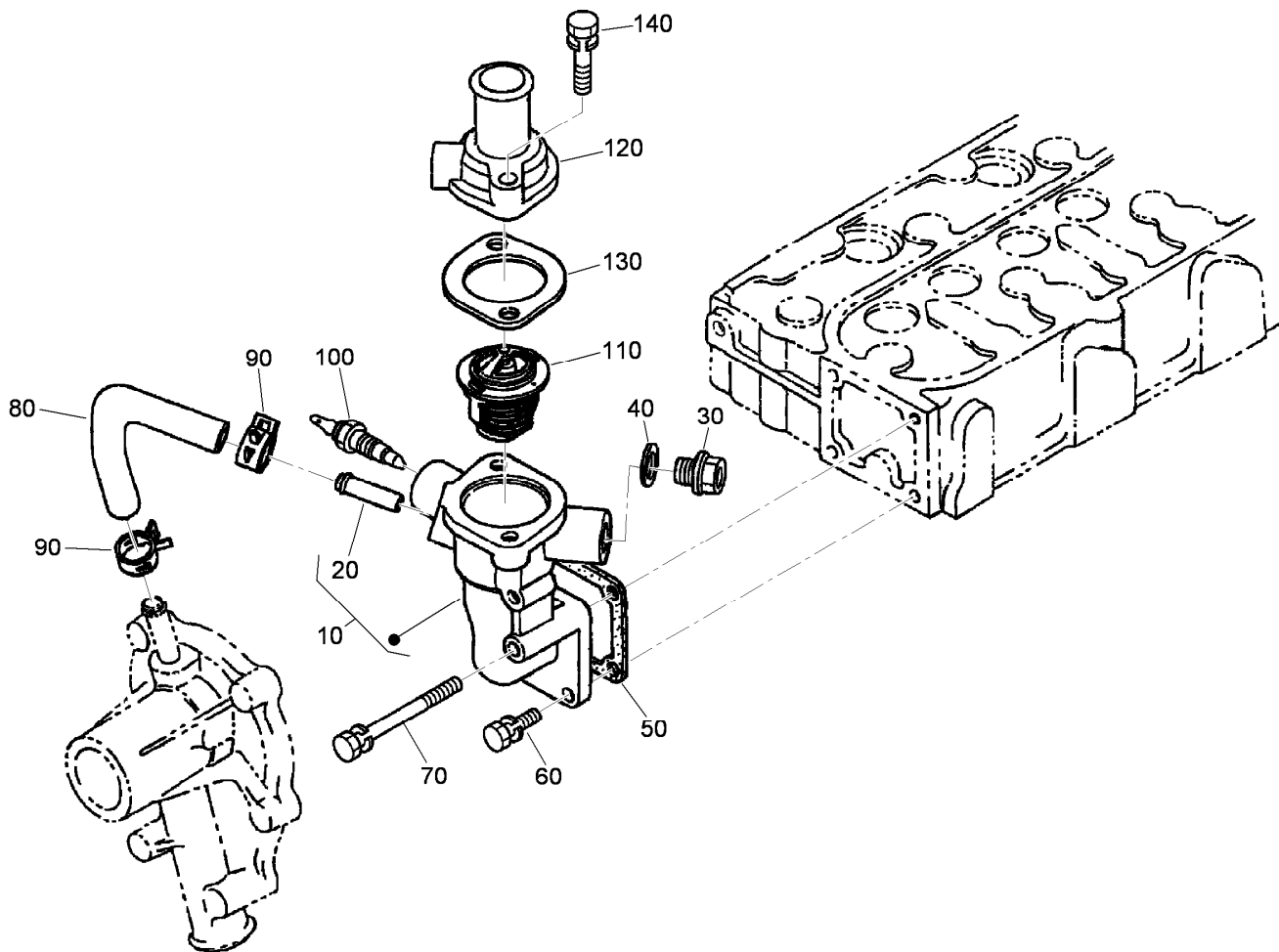
Ref.	Part Number	Qty.	Description	Ref.	Part Number	Qty.	Description
10	98-9474	1	Alternator ASM	150	107-0140	1	Cover-End
20	98-9453	1	Pulley-Dynamo	160	98-7721	1	Rectifier ASM
30	98-7708	1	Nut	170	98-7722	1	Bushing-Insulation
40	98-7709	1	Collar	180	107-0141	1	Brush Holder ASM
50	107-0136	1	Rotor ASM	190	98-7724	2	Brush
60	98-7711	1	Cover-Bearing	200	98-7725	2	Spring-Brush
70	107-0138	1	Bearing-Ball	210	98-7726	2	Screw-Head, Round
80	98-7713	1	Washer-Thrust	220	98-7727	6	Screw-Head, Round
90	107-0139	1	Drive End Frame ASM	230	98-7728	1	Screw-Head, Round
100	98-7715	1	Plate-Retainer	240	98-7729	3	Bolt
110	98-7716	4	Screw-Head, Round	250	98-7730	2	Nut
120	98-7717	2	Bolt-Through	260	98-7731	2	Bolt
130	107-0137	1	Bearing-Ball	270	98-7732	1	Nut
140	107-9087	1	Frame-End	280	110-3799	1	Regulator ASM



Starter Assembly

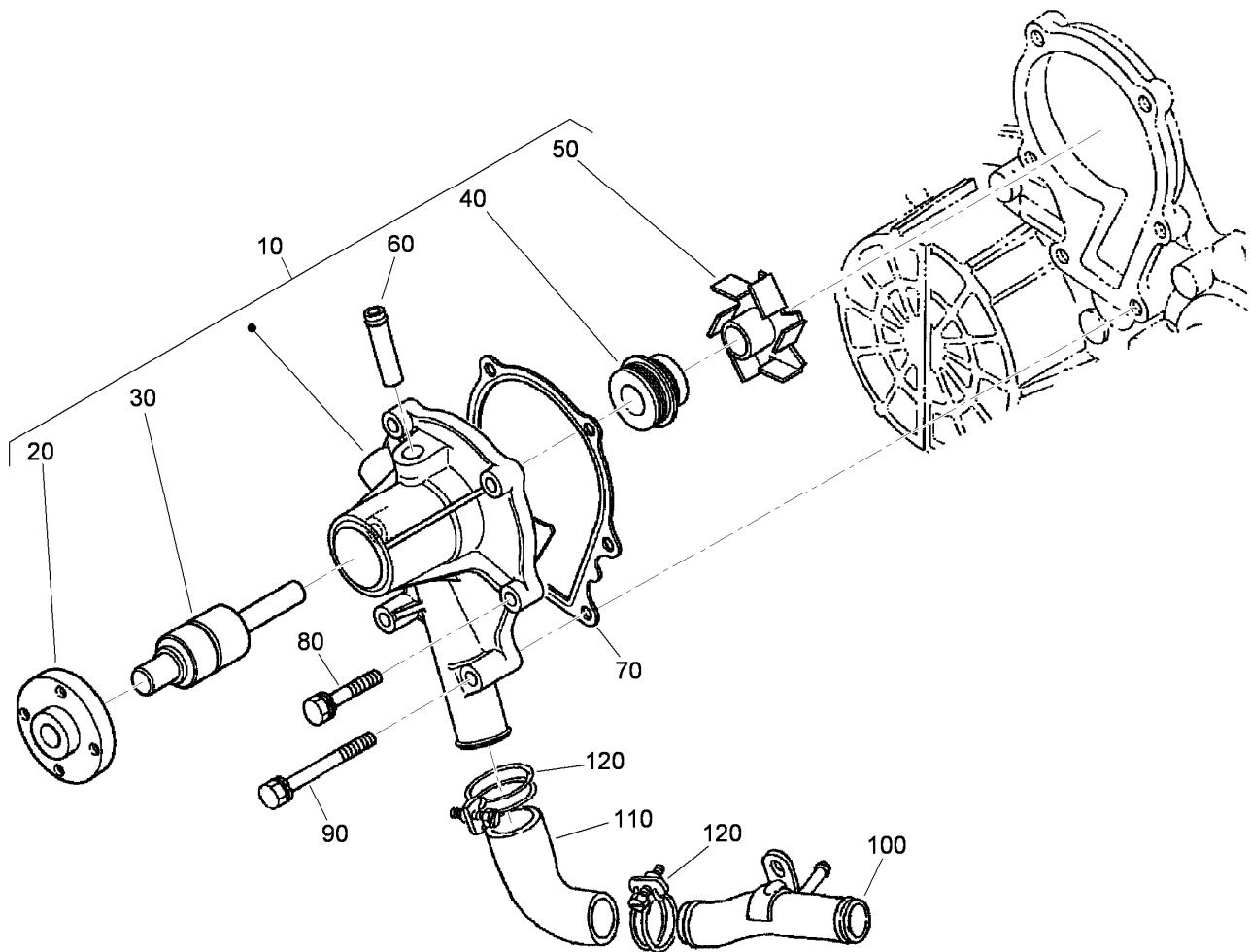
Ref.	Part Number	Qty.	Description
10	98-9705	1	Starter ASM
20	104-8608	1	Yoke ASM
30	98-7742	1	Armature ASM
40	98-7744	1	Bearing
50	98-7743	1	Bearing
60	99-8373	1	Clutch-Running, Over
70	99-8374	1	Frame-End, Drive
80	105-3746	1	Magnetic Switch ASM
90	98-7748	1	Frame-End
100	98-7749	1	Brush Holder ASM
110	98-7750	4	Spring-Brush
120	98-7751	1	Gear
130	98-7752	1	Retainer
140	98-7753	5	Roller

Ref.	Part Number	Qty.	Description
150	98-7754	1	Spring
160	98-7755	1	Ball
170	98-7756	2	Bolt
180	98-7757	2	O-Ring
190	100-9240	2	Bolt
200	98-7758	2	Bolt ASM
210	99-8375	1	Cover
220	99-8371	1	Nut-Hex
230	98-9711	1	Cord-Solenoid, Stop
240	99-8376	1	Nut-Hex
250	98-7759	1	Pipe-Drain
260	98-9712	1	Band-Cover
270	105-2886	1	Cover ASM
280	98-7697	2	Bolt



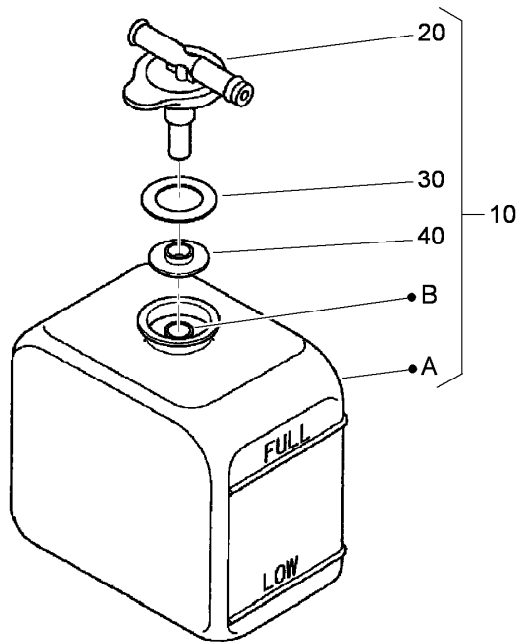
Water Flange and Thermostat Assembly

<i>Ref.</i>	<i>Part Number</i>	<i>Qty.</i>	<i>Description</i>
10	98-9713	1	Water Flange ASM
20	98-9580	1	Pipe-Return, Water
30	105-3747	1	Plug
40	99-3583	1	Gasket
50	98-9638	1	Gasket-Flange, Water
60	98-7692	3	Bolt
70	98-9356	1	Bolt
80	98-9578	1	Pipe-Return, Water
90	98-9579	2	Band-Pipe
100	112-0183	1	Switch-Thermometer
110	98-7778	1	Thermostat ASM
120	98-9471	1	Cover-Thermostat
130	105-3748	1	Gasket-Thermostat
140	98-7777	2	Bolt



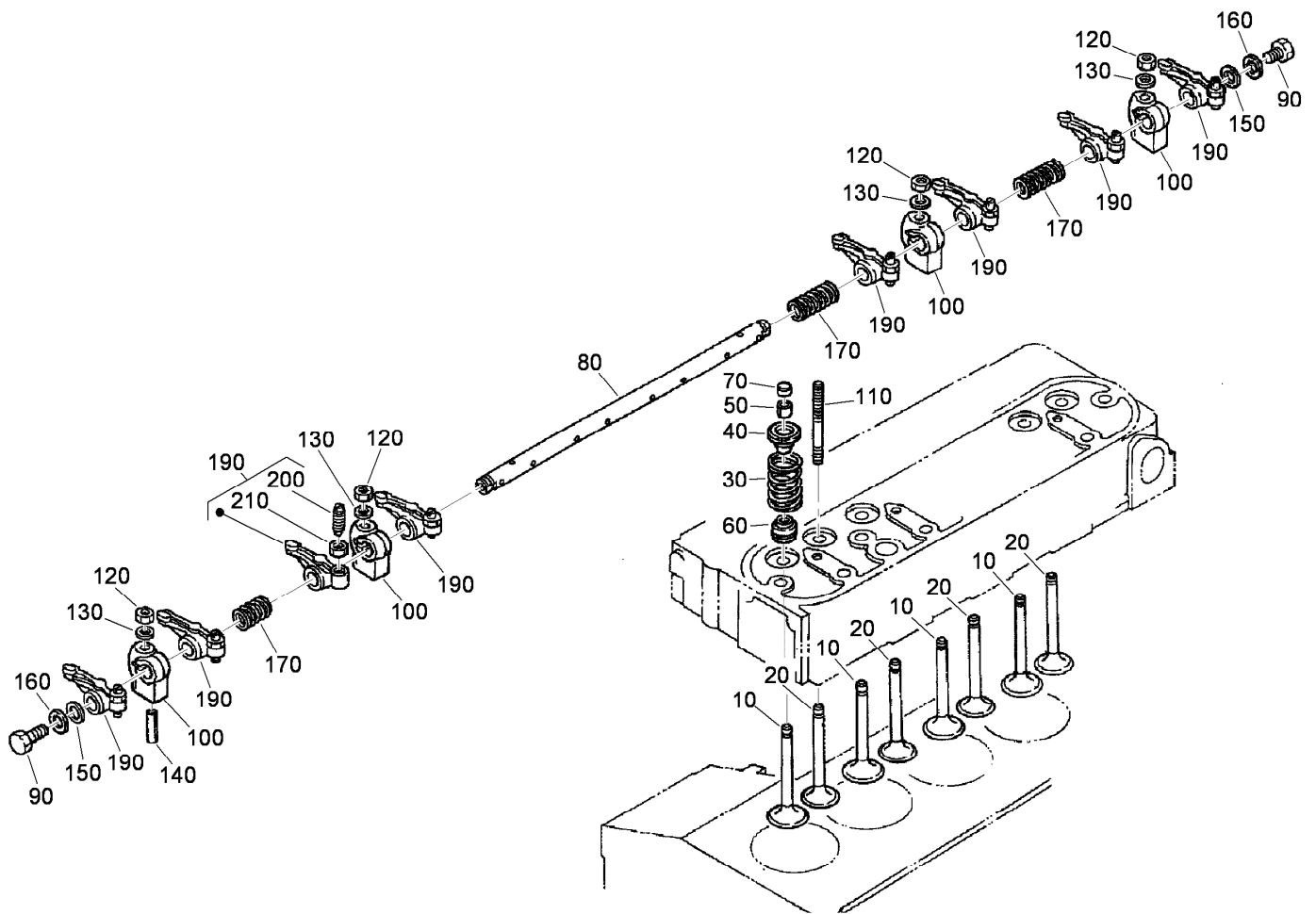
Water Pump Assembly

<i>Ref.</i>	<i>Part Number</i>	<i>Qty.</i>	<i>Description</i>
10	107-9089	1	Water Pump ASM
20	99-3516	1	Flange-Pump, Water
30	99-3517	1	Bearing-Pump, Water
40	105-3750	1	Mechanical Seal ASM
50	112-7017	1	Impeller-Pump, Water
60	100-1932	1	Pipe-Return, Water
70	99-3454	1	Gasket-Pump, Water
80	98-9353	4	Bolt
90	107-9090	2	Bolt
100	99-8379	1	Pipe-Water
110	107-9091	1	Pipe-Water
120	98-9717	2	Clamp



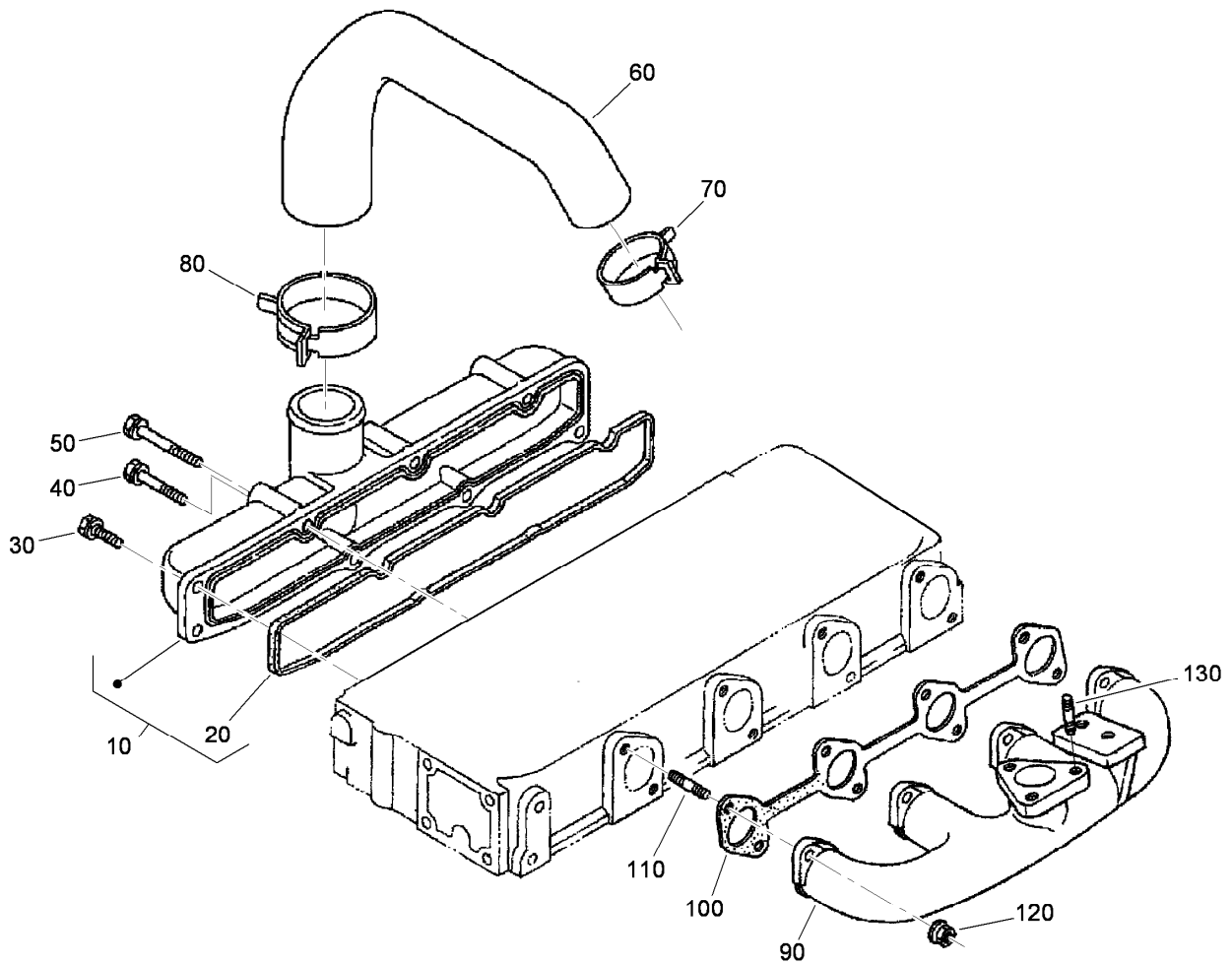
Overflow Bottle Assembly

<i>Ref.</i>	<i>Part Number</i>	<i>Qty.</i>	<i>Description</i>
10	104-9318	1	Overflow Bottle ASM
20	115-4132	1	Cap
30	105-3755	1	Gasket
40	105-3756	1	Plate



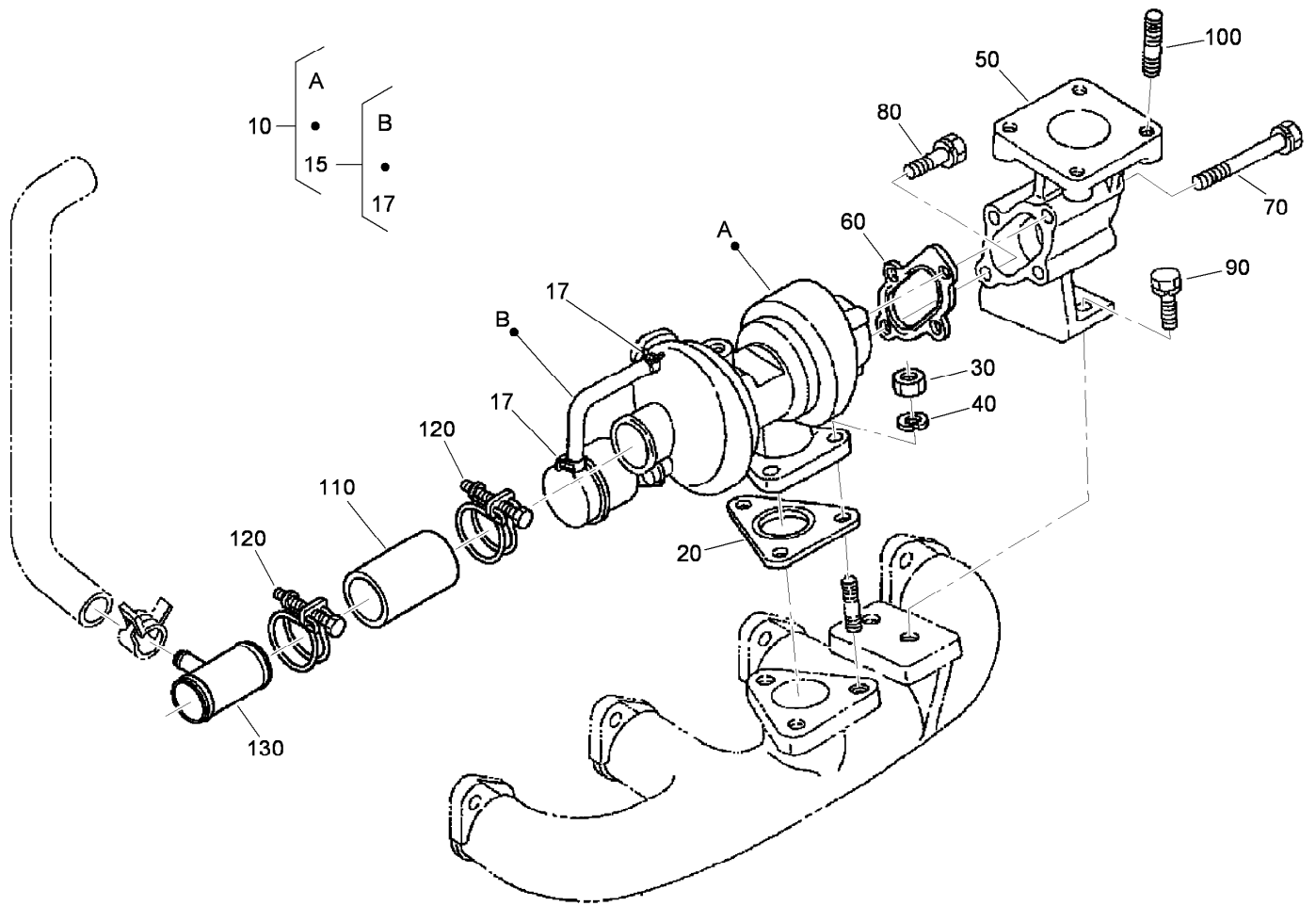
Valve and Rocker Arm Assembly

<i>Ref.</i>	<i>Part Number</i>	<i>Qty.</i>	<i>Description</i>
10	112-7018	4	Valve-Inlet
20	112-7019	4	Valve-Exhaust
30	98-9626	8	Spring-Valve
40	107-9092	8	Retainer-Spring
50	98-9390	8	Collet-Spring, Valve
60	99-8385	8	Seal-Stem, Valve
70	98-9497	8	Cap-Valve
80	105-3757	1	Shaft-Arm, Rocker
90	100-9265	2	Bolt
100	98-9505	4	Bracket-Arm, Rocker
110	98-9506	4	Stud
120	98-9393	4	Nut
130	98-9385	4	Washer-Flat
140	105-3758	2	Pin-Spring
150	98-9507	2	Washer-Shaft, R-Arm
160	110-3832	2	Washer-Plain
170	98-9504	3	Spring-Arm, Rocker
190	112-7020	8	Rocker Arm ASM
200	98-9502	8	Screw-Adjusting
210	98-9503	8	Nut



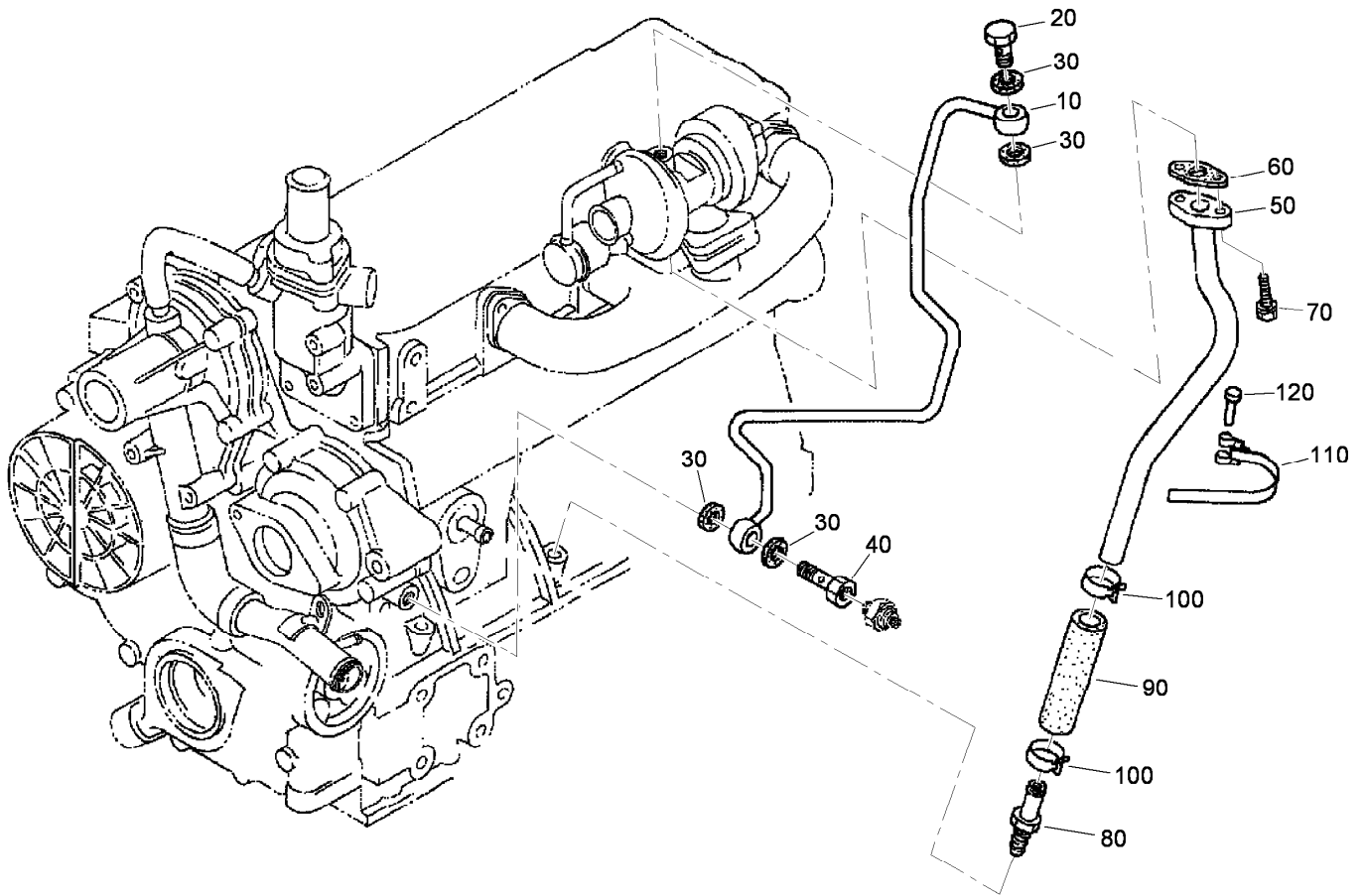
Inlet and Exhaust Manifold Assembly

<i>Ref.</i>	<i>Part Number</i>	<i>Qty.</i>	<i>Description</i>
10	105-3759	1	Inlet Manifold ASM
20	105-3760	1	Gasket-Manifold, Inlet
30	98-7605	3	Bolt
40	98-9353	2	Bolt
50	105-3797	3	Bolt
60	115-4123	1	Hose-Inlet
70	115-3048	1	Clamp-Hose
80	115-3049	1	Clamp-Hose
90	108-4425	1	Manifold-Exhaust
100	105-3765	1	Gasket-Ex-Manifold
110	98-9588	8	Stud
120	98-9665	8	Nut
130	99-8342	3	Stud



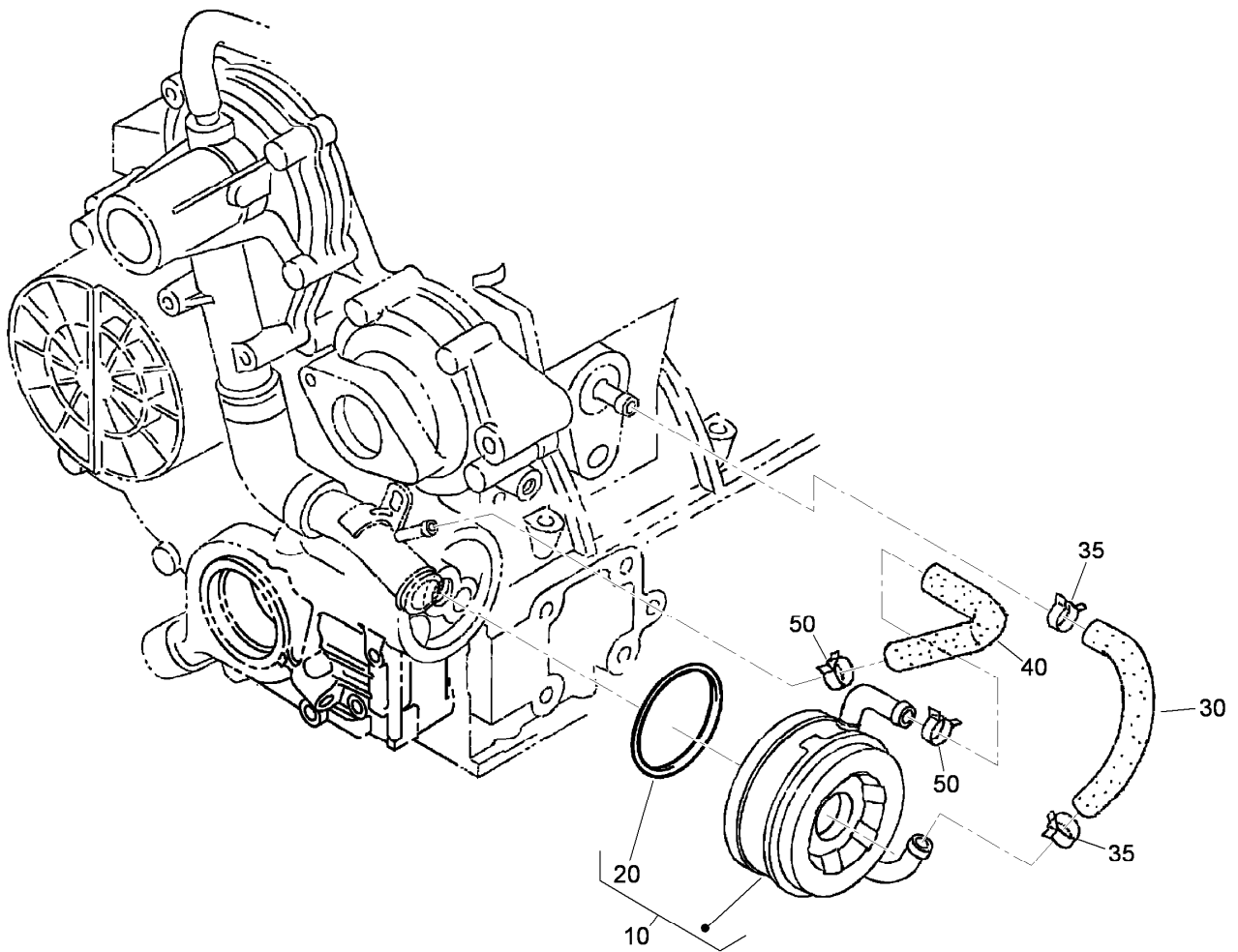
Turbo Charger Assembly

<i>Ref.</i>	<i>Part Number</i>	<i>Qty.</i>	<i>Description</i>
10	108-1412	1	Turbo Charger ASM
15	108-1413	1	Hose ASM
17	108-1414	2	Clamp-Hose
20	105-3767	1	Gasket
30	98-7534	3	Nut
40	105-2893	3	Washer-Spring
50	99-8335	1	Flange-Muffler
60	105-3768	1	Gasket
70	115-4100	3	Bolt
80	105-2895	1	Bolt
90	98-7610	2	Bolt
100	98-7769	4	Stud
110	115-4101	1	Tube-Inlet, Turbo
120	115-4102	2	Band
130	115-4103	1	Pipe-Inlet, Breather



Oil Pipe (Turbo Charger) Assembly

<i>Ref.</i>	<i>Part Number</i>	<i>Qty.</i>	<i>Description</i>
10	108-4424	1	Oil Pipe ASM
20	115-4126	1	Bolt-Joint, Eye
30	99-8346	4	Gasket
40	98-9417	1	Bolt-Joint, Eye
50	108-4423	1	Oil Pipe ASM
60	108-4422	1	Gasket
70	98-7605	2	Bolt
80	105-3771	1	Oil Pipe ASM
90	98-9721	1	Pipe-Oil
100	98-9714	2	Clamp-Hose
110	98-9601	1	Clamp-Pipe
120	98-9591	1	Pin-Band



Oil Cooler Assembly

<i>Ref.</i>	<i>Part Number</i>	<i>Qty.</i>	<i>Description</i>
10	104-5158	1	Oil Cooler ASM
20	112-7030	1	O-Ring
30	98-9724	1	Pipe-Cooler, Oil
35	98-9579	2	Band-Pipe
40	98-9578	1	Pipe-Return, Water
50	98-9579	2	Band-Pipe

Attachments and Accessories

For 30859 Groundsmaster 4300-D Traction Unit

Product Name	Model/Part
Air Ride Seat Suspension Kit.....	03667
Premium Bio-Degradable Hydraulic Fluid (5 Gallon Pail).....	100-7674
Wheel Weight Kit.....	104-1478
Premium All Season Hydraulic Fluid (55 Gallon Drum).....	108-1177
Premium All Season Hydraulic Fluid (5 Gallon Pail).....	108-1178
Premium Engine Oil, 10w30 (55 Gallon Drum).....	108-1179
Premium Engine Oil, 10w30 (5 Gallon Pail).....	108-1180
Premium Bio-Degradable Hydraulic Fluid (55 Gallon Drum).....	108-1189
Premium All Purpose Grease (Tube).....	108-1190
Air Cleaner Safety Element.....	108-3813
22in Combo Blade.....	108-7395-03
ROPS Extension Kit.....	110-8030
Operator Fan Kit - US Sales Only, 3in ROPS Post.....	110-8804
Weight Plate.....	110-8985-03
22in High Lift Blade.....	114-0434-03
22in Atomic Blade.....	114-0435-03
Roller Scraper Kit.....	117-0149
Mulching Kit.....	117-0185
22in Angle Sail Blade.....	117-0209-03
Hydraulic Hose Kit.....	117-0289
22in Rotary Cutting Unit Sectional Roller ASM.....	117-0297
Premium Synthetic Bio-Degradable Hydraulic Fluid (5 Gallon Pail).....	119-2157
Premium Synthetic Bio-Degradable Hydraulic Fluid (55 Gallon Drum).....	119-2158
Service Pack-Combo Blade.....	119-6957
400-Hour Filter Maintenance Kit.....	30055
Hardtop Sunshade.....	30359
22in Rotary Cutting Unit.....	30845
Diagnostic Display Box.....	85-4750
Spark Arrestor.....	98-9099

Notes:



Count on it.