



DEALER PRE-DELIVERY CHECK LIST

WHEEL HORSE® 240 - Series Tractors

Pre-Delivery operations and checks on this list should have been performed and signed for by your dealer prior to delivery. If, for any reason, there is an indication your tractor has not been checked, make sure following operations have been performed **BEFORE** starting your tractor.

INSTALL FRONT WHEEL AND TIRE ASSEMBLIES

Using a suitable hoist or jack, raise front of tractor.

A. If a floor jack is employed, center jack under frame assembly. Use a 2 x 4 piece of lumber or similar material, long enough to span width of frame, between jack and tractor to prevent damage to tractor.

B. If a chain hoist is used, attach hoist to front axle, being careful not to scratch side of engine, hood, or axle itself.

Install a wheel and tire assembly on each spindle as illustrated in Fig. 1. The tire valve stem should be positioned to inside on all tractors. Correct wheel end play is 0-.015 in. (.4 mm). In some cases it may be necessary to add shim washers to achieve correct end play.

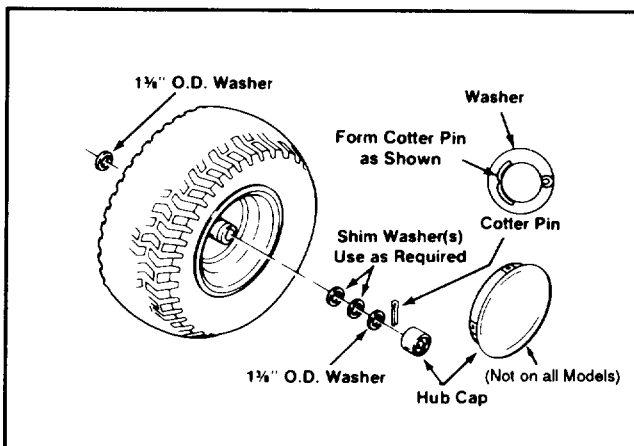


FIG. 1. Front Wheel Installation

INSTALL REAR WHEEL AND TIRE ASSEMBLIES

Raise rear of tractor.

A. If a floor jack is employed, center jack under rear frame. Use a 2 x 4 block of wood or similar material between jack and frame to prevent damage to tractor.

B. If a chain hoist is employed, attach hoist to rear hitch. **Do not damage rear fender.**

Hydrostatic Tractor Only

Mount a rear wheel and tire assembly on each axle hub so tire valve stem faces inside. Secure each wheel and tire assembly with the lug bolts provided. Starting at the top,

tighten every other lug bolt until all are tight. Torque lug bolts to 75-80 ft. lbs. (105-112 Nm).

5-Speed Tractor Only

Apply a coating of rust preventative on axle shafts (Texaco Rust Preventative Code 1976, Compound "L" Light, or equivalent). Mount a rear wheel and tire on each axle shaft as shown in Fig. 2. Use shim washers as required for minimum end play.

Lower tractor and remove jack or hoist.

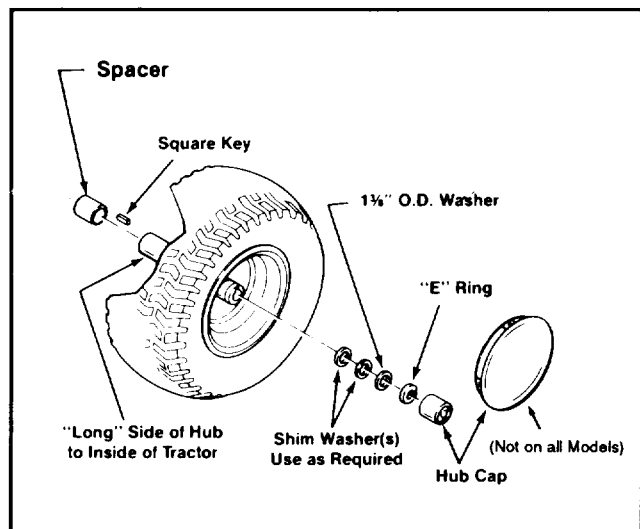


FIG. 2 5-Speed Rear Wheel Installation

ADJUST TIRE PRESSURE

Using low pressure tire gauge, adjust tire pressure in all four tires:

	Front	Rear
PSI	12	12
kg/cm ²	.85	.85

MOUNT STEERING WHEEL

Refer to Fig. 3. With wheels straight ahead, install steering wheel on steering shaft so spokes extend outward left and right. Line up hole in wheel hub with hole in steering shaft.

Insert a punch through hole to hold steering wheel in position. Drive provided spirol pin into steering wheel and shaft with a hammer; as spirol pin is driven in, it will push punch out.

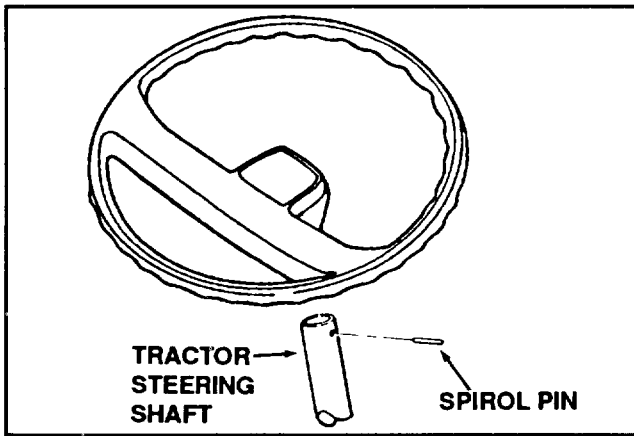


FIG. 3. Steering Wheel Installation

SERVICE BATTERY



Electrolyte and battery fluid are poisonous and can be injurious to eyes, skin and clothing. In event of an accident, flush immediately with a solution of one part baking soda to four parts water. Notify physician immediately. If baking soda is not immediately available, flush affected area with water. Notify physician immediately.

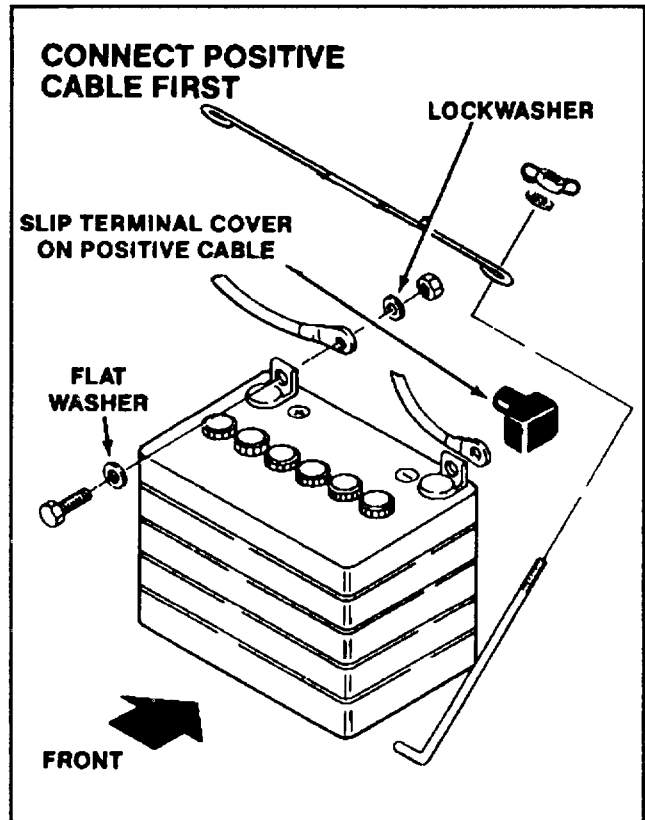


FIG. 4 - Battery Installation

1. Refer to Figure 4 and remove battery from tractor.
 2. Never fill battery with electrolyte when battery is installed in tractor.
 3. Use a electrolyte (battery acid) with a specific gravity of 1.265; fill each cell until electrolyte is 1/4-1/2 inch (6-13 mm) above top of separators. **DO NOT OVERFILL.** After charging, top off each cell with electrolyte.
- NOTE:** After battery is placed into service, add only low mineral content water. **DO NOT ADD ELECTROLYTE (battery acid).**
4. Place battery on charge before reinstalling. Charge at 4-5 amperes for 3-4 hours or until battery is fully charged.
 5. Install battery in tractor making sure terminal posts are positioned properly (Fig. 4). Install battery hold down assembly. Tighten nuts only enough to keep battery from moving. **DO NOT OVERTIGHTEN.**
 6. Reinstall battery cables as shown in Figure 4. Grease all exposed metal surfaces of battery terminals.

CHECK ENGINE OIL LEVEL

Check that engine oil is at proper level and for oil leaks. Engines are filled with SAE 10W-30 oil at factory. If tractor is to be operated in cold temperatures, it may be necessary to change oil. Refer to Engine oil Temperature-Viscosity Chart in maintenance section of tractor Operator's Manual.

INSTALL SEAT

Refer to Fig. 5 and install seat using supplied hardware. Pull seat wire connector into tractor wire connector.

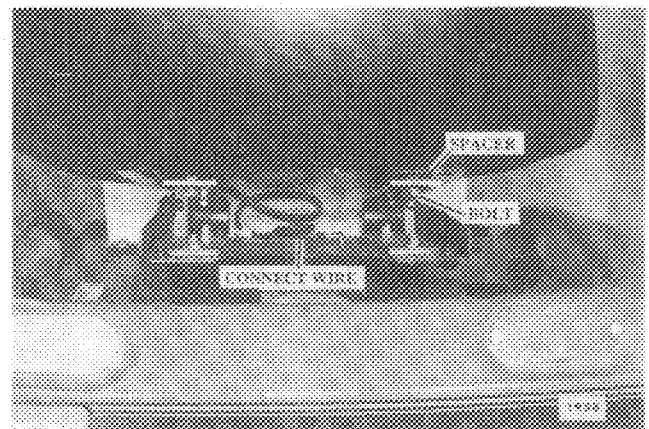


FIG. 5 - Seat Installation

CHECK WIRING AND ATTACHING HARDWARE

Visually inspect for any loose connections and tighten as required. Check routing of wires to make sure they will not be disturbed by any moving part that could cause a short.

Check that all nuts, bolts and other fasteners are in place and tight.

FILL FUEL TANK

Use leaded or unleaded regular gasoline with an octane rating of at least 85. Open fuel shut-off valve and check fuel hose and fittings for leaks.

CHECK FRONT WHEEL TOE-IN

Refer to tractor Operator's Manual and check front wheel toe-in adjustment.

LUBRICATE TRACTOR

Fill both front wheel hubs with #2 multi-purpose lithium grease applied with a pressure grease gun. Check that all other chassis lube points have been greased by factory, as shown in maintenance section of tractor Operator's Manual.

TEST TRACTOR OPERATION

A. As applicable, check or test operation of following:

1. Engine, choke and throttle controls
2. Gauges
3. Lights
4. PTO Clutch/Brake
5. Service and parking brake
6. Transmission controls
7. Steering
8. Tractor operation in all speeds forward and reverse

B. Test operation of safety interlock system. Engine should **NOT** start if:

1. PTO is engaged. Also check operation of seat switch. With engine running and PTO engaged, raise off tractor's seat - engine should shut off.
2. If transmission is in any gear.
3. Seat is not occupied.

ATTACH OWNER'S MANUAL TO TRACTOR

Sign this form below and insert it in front of operator's manual. Attach Operator's Manual and warranty statement to unit.

<p>I CERTIFY THAT THIS MOWER IS SERVICED AND PREPARED FOR CUSTOMER OPERATION.</p> <hr/> <p>Authorized TORO Dealer Signature</p>
--

NOTE: Preceding items covering pre-delivery service and inspection should have been completed by a TORO Dealer. Failure to perform this work on your new mower prior to its first use may affect warranty.

