



**Count on it.**

**Parts Catalog**

**Groundsmaster® 7210**

**Traction Unit with 62in Rotary Mower**

**Model No. 30465—Serial No. 313000001 and Up**



# Ordering Replacement Parts

To order replacement parts, please supply the part number, the quantity, and the description of each part desired.

## Understanding Reference Numbers

Each identified part in an illustration has a reference number. The reference number for a part also appears in the parts list, along with other information about the part.

This catalog uses two special reference number formats, one to indicate parts in a service assembly and another to indicate the quantity of a given part in an illustration.

## Service Assembly Reference Numbers

Parts in service assemblies have reference numbers in the form a:b. The a represents the reference number of the entire service assembly and the b represents a sequential number unique to each part within the service assembly.

For example, a wheel assembly might be identified by reference number 6, the tire by 6:1, the valve by 6:2, and the wheel by 6:3. When you order the assembly identified by reference number 6, you receive all parts identified by reference numbers 6:1, 6:2, and 6:3. However, you may also order any part individually. Reference numbers of this type appear in illustration and in parts lists.

## Reference Numbers Indicating Quantity

In an illustration, if a reference number indicates more than one part, the reference number has the form nX y. The n represents the quantity of the part, the X is the multiplication symbol, and the y represents the reference number.

For example, in an illustration, the reference number 2X 37 means that two of the parts identified by reference number 37 are indicated.

# List of Abbreviations

**AR:** as required

**ASM:** assembly

**BBC:** blade brake control

**BHTF:** button head thread forming

**CARR:** carriage

**CCW:** counter clockwise

**CW:** clockwise

**DEG:** degrees

**DPA:** Dual Point Adjustment

**ECM:** electronic control module

**EXT:** external

**FH:** flat head

**GA:** gauge

**HD:** heavy-duty

**HF:** hex flange

**HH:** hex head

**HHF:** hex head flange

**HHFTF:** hex head flange thread forming

**HJ:** hex jam

**HLH:** hex lag head

**HOC:** height-of-cut

**HSBH:** hex socket button head

**HSFH:** hex socket flat head

**HSH:** hex socket head

**HWH:** hex washer head

**HWHTF:** hex washer head thread forming

**HYD:** hydraulic

**LH:** left hand

**LP:** Liquefied Petroleum Gas

**LPG:** Liquefied Petroleum Gas

**NI:** nylon insert

**NPTF:** national pipe thread fine

**PFH:** phillips flat head

**PPH:** phillips pan head

**PPHTF:** phillips pan head thread forming

**PRH:** phillips round head

**PTH:** phillips truss head

**PTO:** power-take-off

**RH:** right hand

**ROPS:** roll-over protection system

**RRB:** rear roller brush

**SFH:** slotted fillister head

**SHH:** slotted hex head

**SHWH:** slotted hex washer head

**SPH:** slotted pan head

**SQH:** square head

**SRH:** slotted round head

**STD:** standard

**TAP:** self tapping

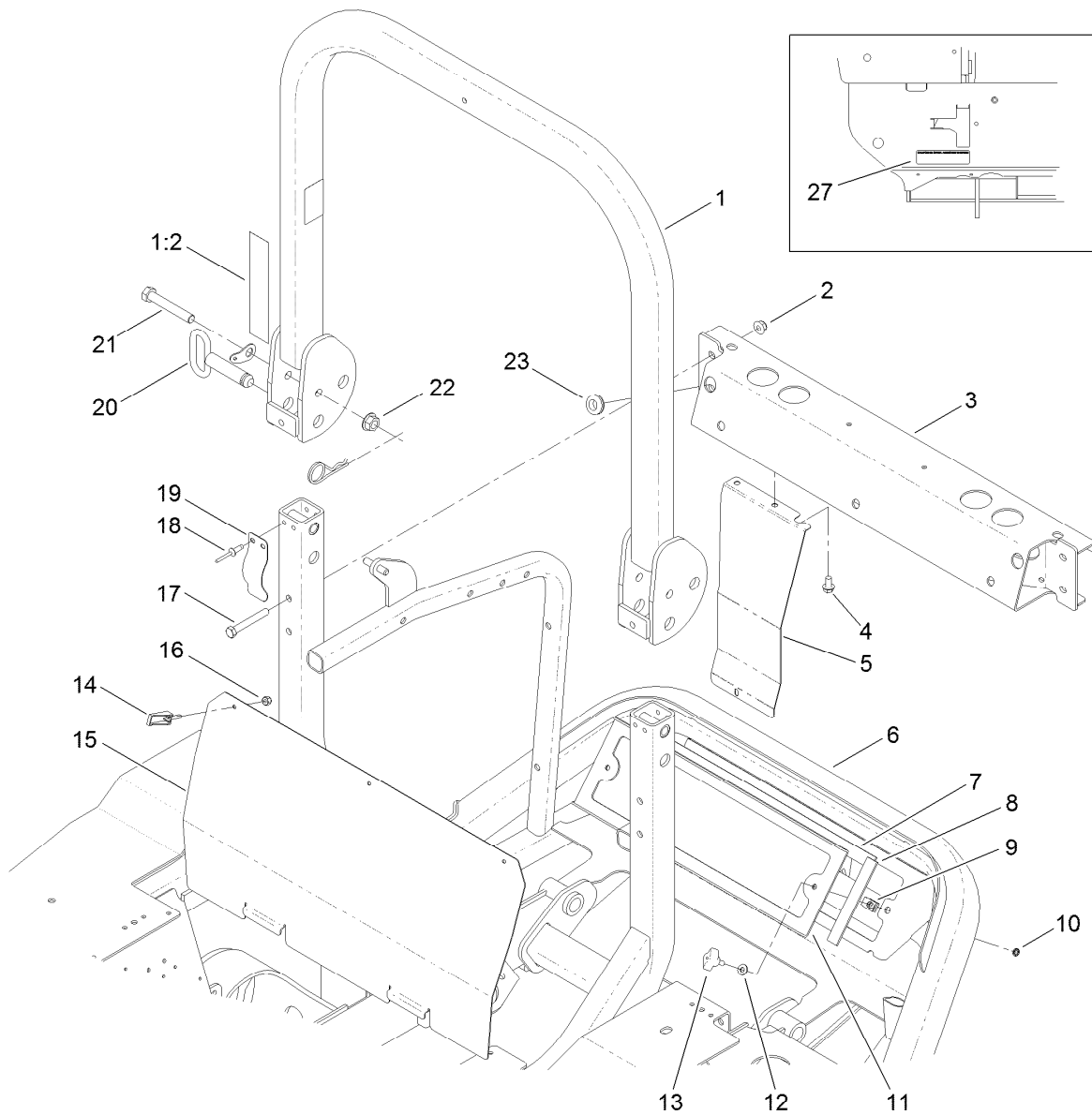
**TTH:** torx truss head

# Contents

Rear Frame Assembly	5
Engine Assembly	6
Transmission and Gear Pump Assembly	7
Charge Pump Housing Assembly Transmission Assembly No. 121-3370	8
Center Section Assembly Transmission Assembly No. 121-3370	9
Gear Case and Clutch Assembly Transmission Assembly No. 121-3370	10
Driveshaft Assembly No. 110-3575	11
Hydraulic Gear Pump Assembly No. 112-9542	12
Wheel Hub and Wheel Assembly	13
Hydraulic Motor Assembly No. 108-5155	14
Hydraulic Motor Assembly No. 108-5230	15
LH Brake Caliper Assembly No. 120-0013	16
RH Brake Caliper Assembly No. 120-0014	17
Brake Handle Assembly	18
Radiator and Oil Cooler Assembly	19
Traction Control Assembly	20
Link Assembly No. 112-5099	21
RH Lever Assembly No. 125-2687	22
Control Panel Assembly	23
Left-Hand and Right-Hand Fuel Tank Assembly	24
LH Fuel Tank Assembly No. 110-8230	25
RH Fuel Tank Assembly No. 110-8236	26
Fuel Filter / Separator Assembly	27
Hood and Screen Assembly	28
Seat and Seat-Plate Assembly	29
Seat Assembly No. 107-2286	30
Floorplate and Carrier Frame Assembly	31
Carrier Frame Assembly No. 121-3356	32
Lift Valve Assembly	33
Deck Lift Valve Assembly No. 115-0356	34
Hydraulic Cylinder Assembly No. 110-9834	35
Castor Wheel Assembly	36
Caster Wheel Assembly No. 108-9954	37
Deck Lift Assembly	38
Electrical Assembly	39
Transmission and Oil Cooler Hydraulic Assembly	40
Hydraulic Reservoir Assembly	41
Hydraulic Reservoir Assembly No. 110-8237	42
Air Cleaner and Hose Assembly	43
Air Cleaner Assembly No. 104-3428	44
Roller, Belt and Pulley Assembly	45
Deck Decal Assembly No. 108-9907	46
Low Driven Spindle Assembly No. 119-4776	47
High Driven Spindle Assembly No. 119-4549	48
Double Driven Spindle Assembly No. 119-4548	49
Deck Cover and Gearbox Assembly	50
Gearbox Assembly No. 117-9245-03	51
Deck Adjustment Link and Bumper Assembly	52
Crankcase Assembly	53
Oil Pan Assembly	54
Cylinder Head Assembly	55
Head Cover Assembly	56
Gear Case Assembly	57
Main Bearing Case Assembly	58

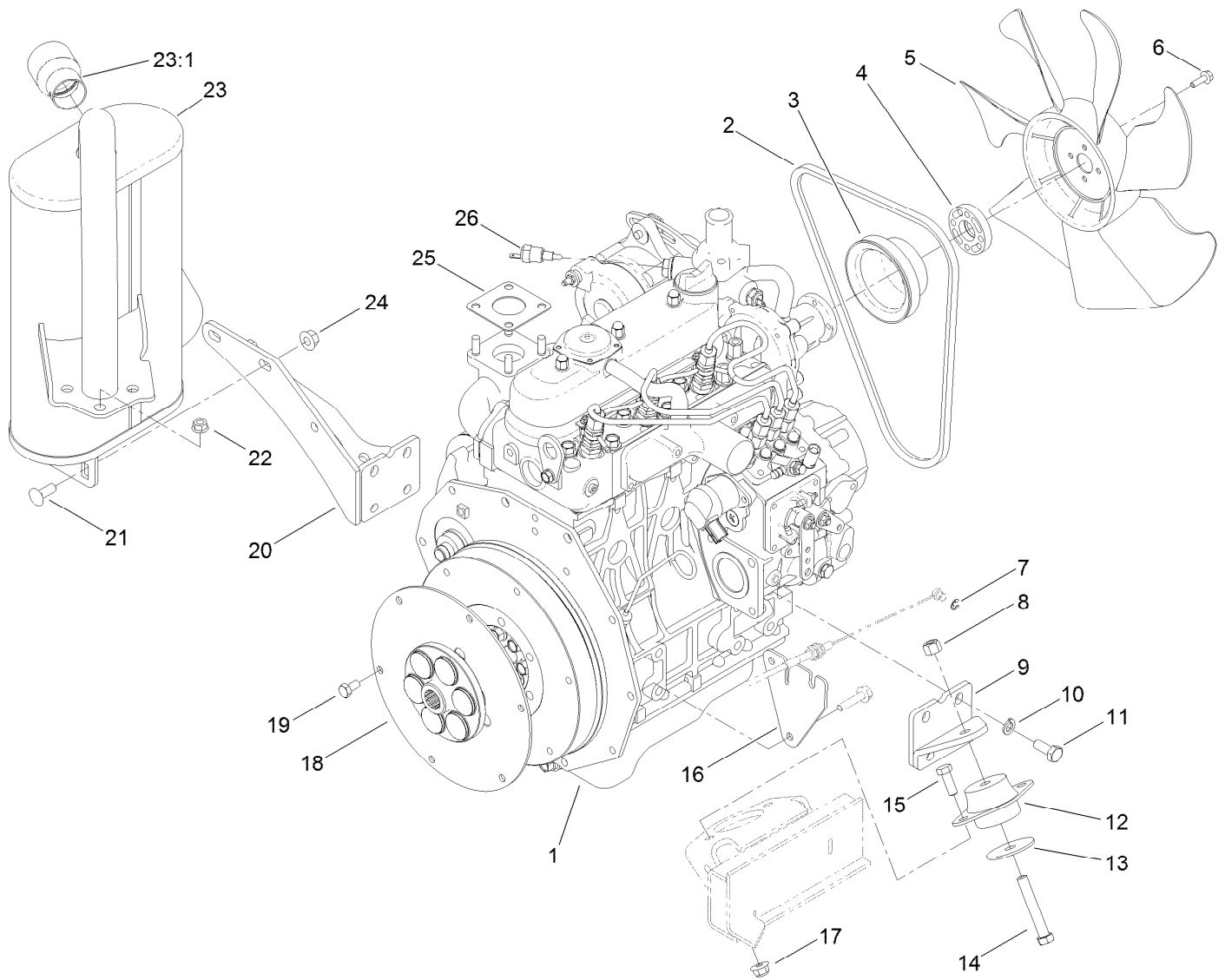
## Contents (continued)

Camshaft and Idle Gear Shaft Assembly .....	59
Piston and Crankshaft Assembly .....	60
Flywheel Assembly .....	61
Fuel Camshaft and Governor Shaft Assembly .....	62
Idle Apparatus Assembly .....	63
Injection Pump Assembly .....	64
Governor Assembly .....	65
Speed Control Plate Assembly .....	66
Nozzle Holder and Glow Plug Assembly .....	67
Nozzle Holder Assembly .....	68
Alternator and Pulley Assembly .....	69
Alternator Components Assembly .....	70
Starter (Component Part) Assembly No. 98-9705 .....	71
Water Flange and Thermostat Assembly .....	72
Water Pump Assembly .....	73
Inlet and Exhaust Manifold Assembly .....	74
Valve and Rocker Arm Assembly .....	75
Turbo Charger Assembly .....	76
Turbo Charger Oil Pipe Assembly .....	77
Oil Cooler Assembly .....	78
Gasket Kit .....	79
Electric Fuel Pump, Fuel Filter, Starter and Overflow Bottle Assemblies .....	80
Attachments and Accessories .....	81



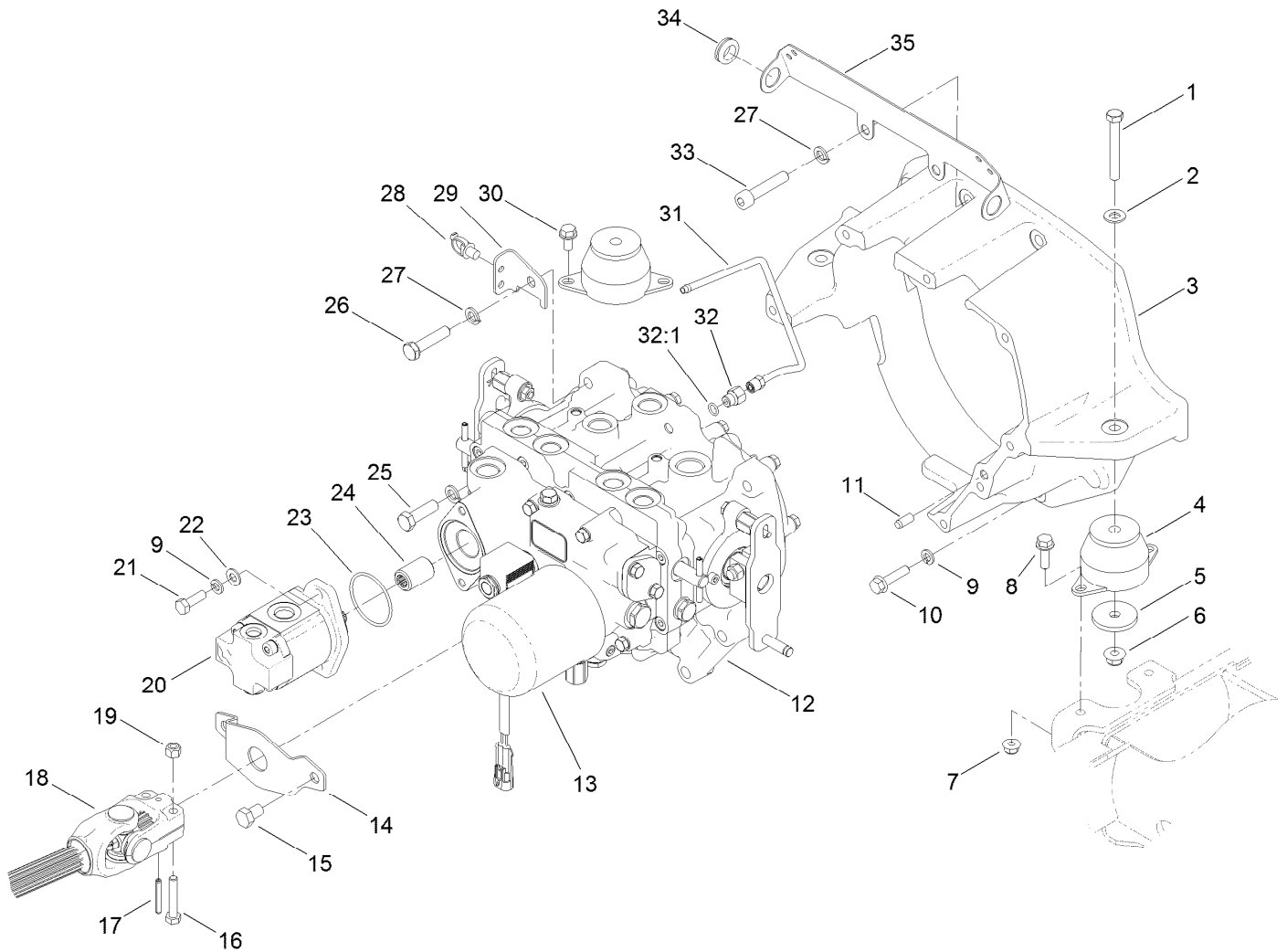
## Rear Frame Assembly

<i>Ref.</i>	<i>Part Number</i>	<i>Qty.</i>	<i>Description</i>	<i>Ref.</i>	<i>Part Number</i>	<i>Qty.</i>	<i>Description</i>
1	110-9770	1	Upper ROPS ASM	12	3256-22	2	Washer-Flat
1:2	107-3069	1	Decal-Warning, Folding ROPS	13	98-8332	2	Knob
2	104-8301	4	Nut-Flange, NI	14	74-5950	3	Latch-Swell
3	125-2720-03	1	Crossmember	15	125-2718-03	1	Panel-Rear
4	32144-14	2	Screw-HWHTF	16	1-804254	3	Nut-Lock, HH
5	112-6368-03	1	Shield-Heat	17	323-13	4	Screw-HH
6	125-2714-03	1	Frame-Rear	18	3290-412	4	Rivet
7	120-0019	2	Strip-Foam	19	110-5696	2	Spring-Leaf
8	120-0017	2	Strip-Foam	20	103-4553	2	ROPS Fold Pin ASM
9	107069	2	Clip	21	112-7264	2	Screw-HH
10	32151-106	2	Ring-Retaining	22	32128-23	2	Nut-HF
11	112-6384-03	1	Screen	23	237-124	2	Grommet
				27	117-2718	1	Decal-Arrester, Spark



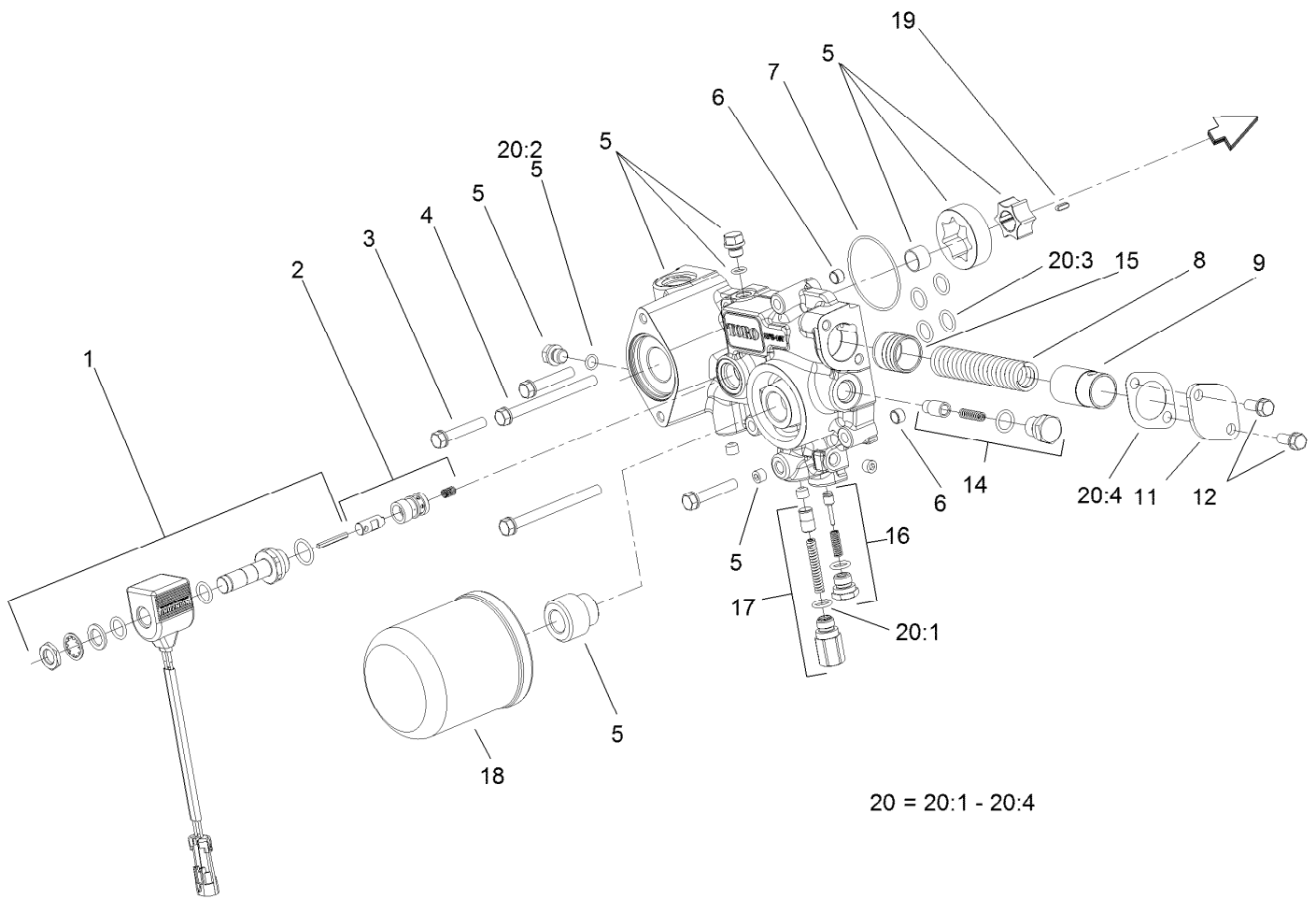
## Engine Assembly

<i>Ref.</i>	<i>Part Number</i>	<i>Qty.</i>	<i>Description</i>	<i>Ref.</i>	<i>Part Number</i>	<i>Qty.</i>	<i>Description</i>
1	114-4080	1	Engine-Kubota	15	323-6	4	Screw-HH
2	98-9676	1	V-Belt	16	114-4060	1	Bracket-Throttle
3	98-9584	1	Pulley-Fan	17	104-8301	4	Nut-Flange, NI
4	108-2872	1	Collar-Fan	18	110-9729	1	Flywheel Coupling ASM
5	104-4246	1	Fan-Engine	19	99-5132	6	Bolt
6	33103-020	4	Screw-HHF	20	108-9926-03	1	Bracket-Muffler
7	701197	1	E-Ring	21	3231-22	2	Screw-CARR
8	3296-48	2	Nut-Lock, NI	22	33004-00	4	Nut-HF
9	105-7235-03	1	Mount-Rear	23	108-9912	1	Muffler
10	48-9590	8	Washer-Lock	23:1	112-1688	1	Spark Arrestor Kit
11	43-0090	8	Screw-HH	24	32128-29	2	Nut-Lock, Flange
12	53-9681	2	Mount-Engine	25	99-8343	1	Gasket-Muffler
13	87-5100	2	Washer-Snubbing	26	98-9719	1	Thermoswitch
14	324-11	2	Screw-HH				



## Transmission and Gear Pump Assembly

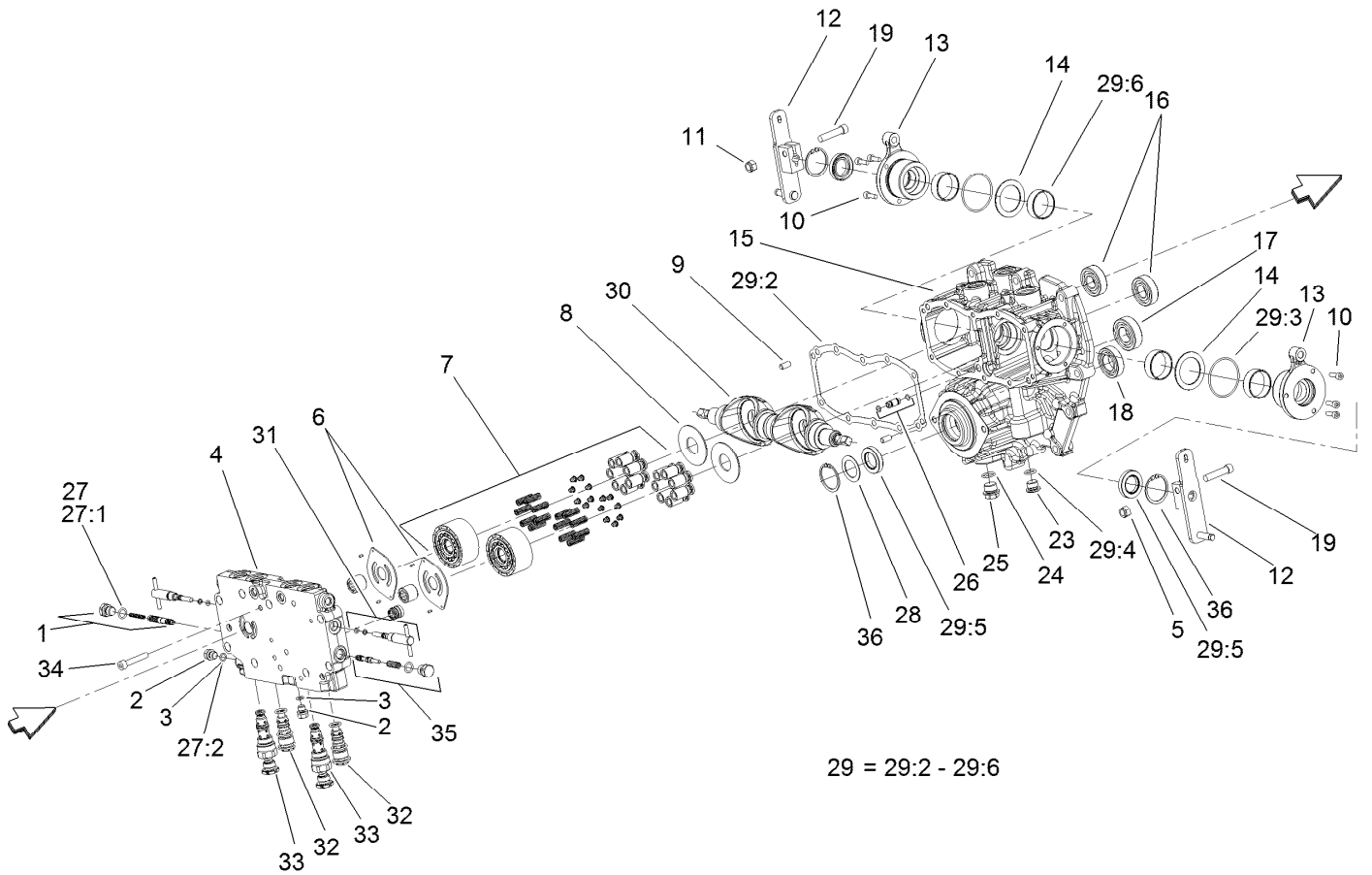
Ref.	Part Number	Qty.	Description	Ref.	Part Number	Qty.	Description
1	323-13	2	Screw-HH	19	3296-29	4	Nut-Lock, NI
2	3256-24	2	Washer-Flat	20	112-9542	1	HYD Gear Pump ASM
3	108-5193	1	Housing-Flywheel	21	33114-025	2	Screw-HH
4	107-2289	2	Mount-Motor	22	3256-23	2	Washer-Flat
5	80-8560	2	Washer-Hardened	23	108-9919	1	O-Ring
6	104-8301	2	Nut-Flange, NI	24	108-9920	1	Coupler-Spline, 9T
7	104-8300	2	Nut-Flange, NI	25	33115-035	1	Screw-HH
8	3234-17	2	Screw-HHF	26	33115-045	6	Screw-HH
9	3253-4	10	Washer-Lock	27	48-9590	9	Washer-Lock
10	33104-035	8	Screw-HHF	28	32180-030	1	Clip-Tie
11	87-1910	4	Pin-Dowel	29	120-0239	1	Support-Tube
12	121-3370	1	Transmission	30	32144-14	2	Screw-HWHTF
13	108-5194	1	Filter-Oil, HYD	31	110-5537	1	Tube
14	114-4088	1	Shield-Seal	32	110-5536	1	Fitting-HYD, Adapter
15	33115-016	2	Screw-HH	32:1	237-78	1	O-Ring
16	322-9	4	Screw-HH	33	3274-106	2	Screw-HSH
17	32121-34	2	Pin-Roll	34	99-3481	2	Grommet
18	110-3575	1	Driveshaft ASM	35	125-2716-03	1	Bracket-Wire



## Charge Pump Housing Assembly Transmission Assembly No. 121-3370

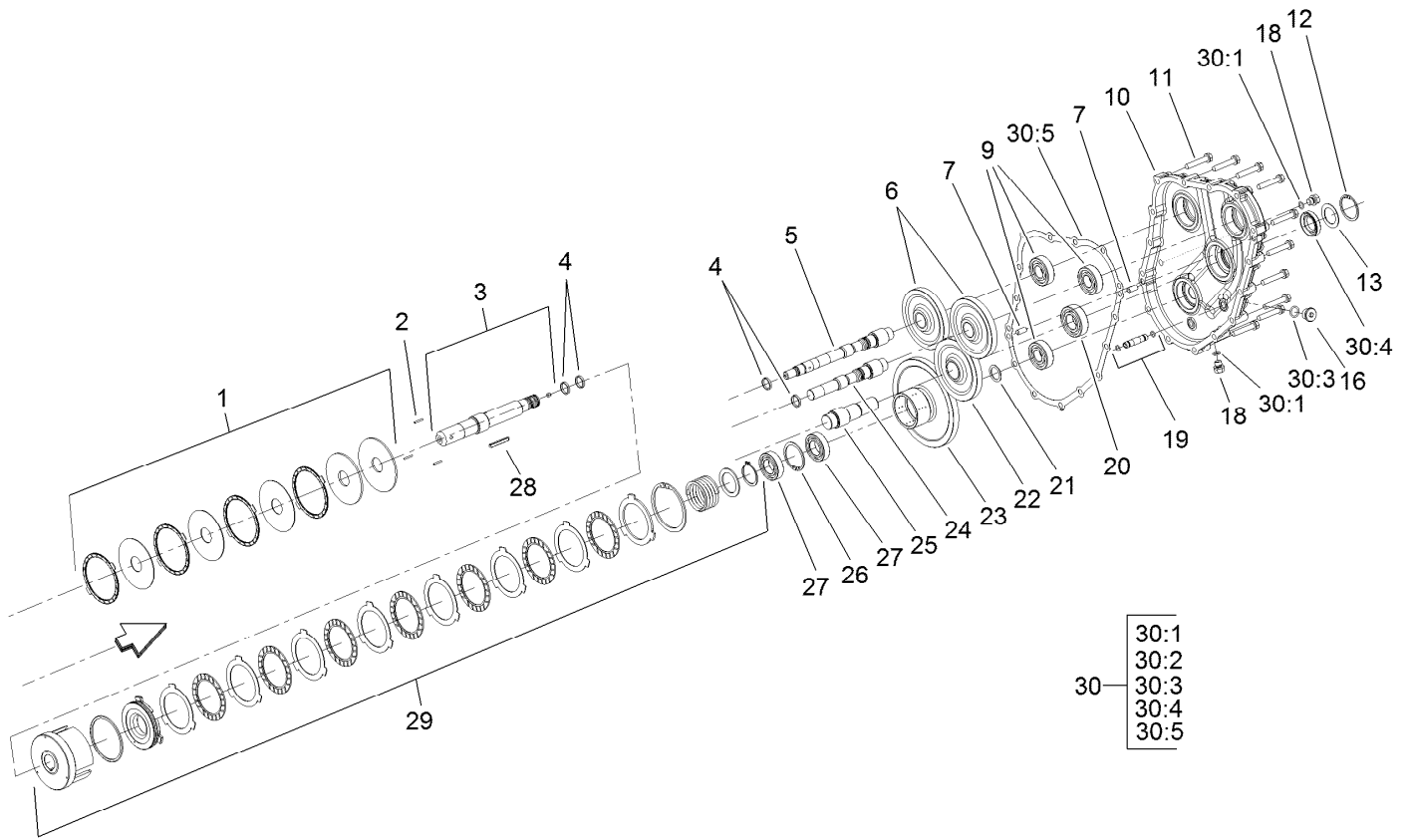
<i>Ref.</i>	<i>Part Number</i>	<i>Qty.</i>	<i>Description</i>	<i>Ref.</i>	<i>Part Number</i>	<i>Qty.</i>	<i>Description</i>
1	107-0851	1	Solenoid ASM	14	107-0843	1	Filter Bypass Valve ASM
2	107-0850	1	Solenoid Valve ASM	15	107-0818	1	Piston
3	107-0863	3	Bolt	16	107-0842	1	Charge Relief Valve ASM
4	107-0864	2	Bolt	17	107-0841	1	Pressure Valve ASM
5	107-0840	1	Pump Body ASM	18	108-5194	1	Filter-Oil, HYD
6	107-0848	2	Pin	19	107-0865	1	Key
7	107-0856	1	O-Ring	20	107-0855	1	Charge Pump Seal Kit
8	107-0845	1	Spring	20:1	93-0418	2	O-Ring
9	107-0844	1	Collar	20:2	107-0817	2	O Ring-Plug
11	107-0846	1	Cover	20:3	104-3298	6	Packing
12	93-0457	2	Bolt And Washer ASM	20:4	107-0847	1	Gasket





## Center Section Assembly Transmission Assembly No. 121-3370

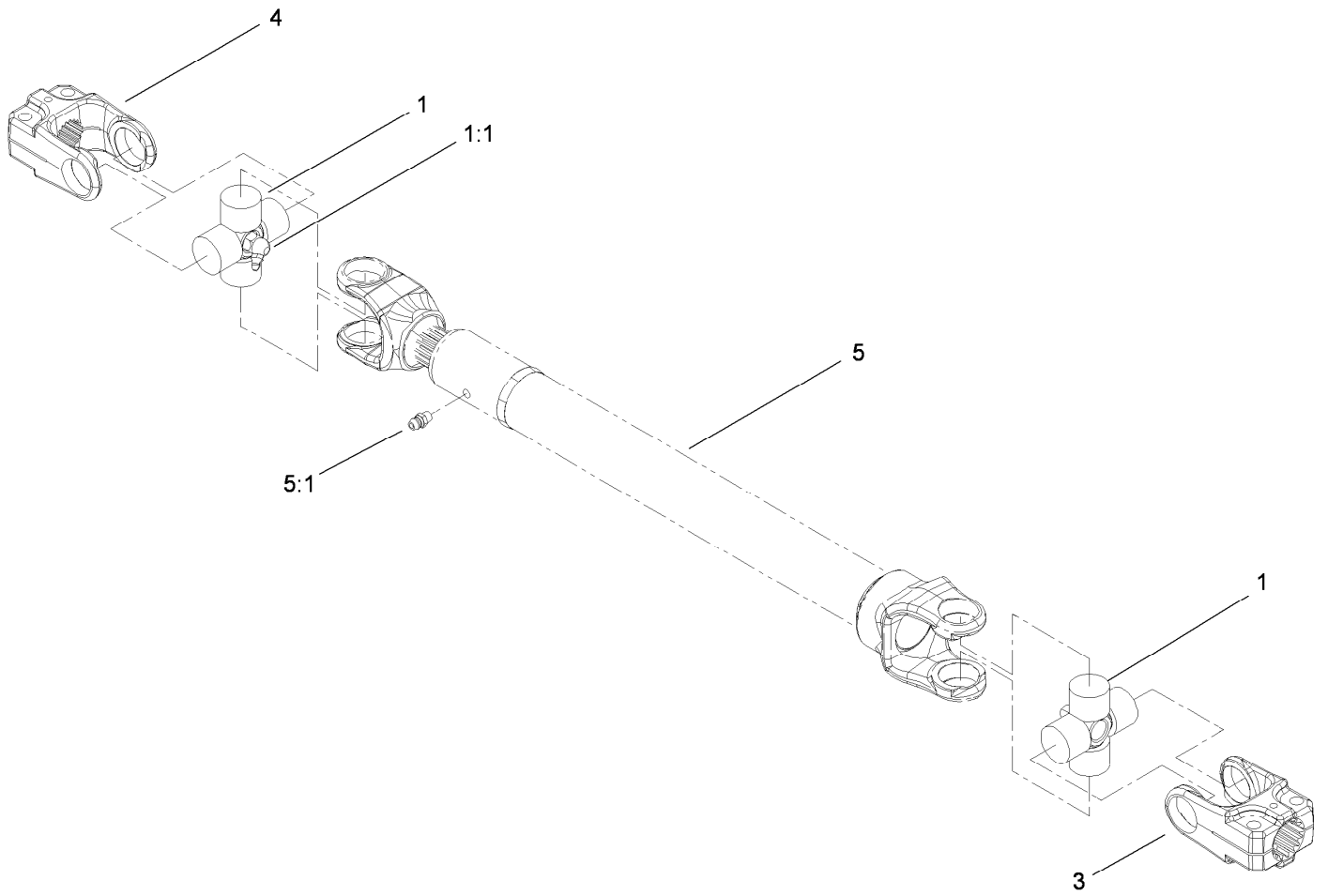
<i>Ref.</i>	<i>Part Number</i>	<i>Qty.</i>	<i>Description</i>	<i>Ref.</i>	<i>Part Number</i>	<i>Qty.</i>	<i>Description</i>
1	107-0807	1	Valve-Flushing, RH	24	107-0862	1	O-Ring
2	107-0857	2	Plug	25	107-0867	1	Plug
3	107-0817	2	O Ring-Plug	26	107-0812	1	Pipe
4	121-3377	1	Center Case, Complete	27	107-0852	1	Center Case Seal Kit
5	107-0858	1	U-Nut	27:1	93-0418	2	O-Ring
6	107-0805	2	Plate-Valve	27:2	107-0817	6	O Ring-Plug
7	107-0824	2	Cylinder Block ASM	28	107-0813	1	Spacer
8	107-0830	2	Plate-Thrust	29	107-0853	1	Pump Housing Seal Kit
9	92-0765	4	Pin-Parallel	29:2	107-0810	1	Gasket-Case, Center
10	107-0859	6	Bolt	29:3	107-0817	2	O Ring-Plug
11	120-6681	2	U-Nut	29:4	104-3298	1	Packing
12	120-6680	2	Arm-Control	29:5	107-0814	3	Seal
13	107-0832	2	Side Cover ASM	29:6	107-0825	4	Ring-Seal
14	107-0829	2	Washer	30	120-6679	2	Plate-Swash
15	120-5151	1	Pump Housing ASM	31	107-0808	2	Valve-Bypass
16	107-0826	2	Bearing	32	121-3378	2	Check Valve-Rear
17	107-0821	1	Bearing	33	107-0803	2	Valve-Front
18	107-0838	1	Bearing	34	107-0863	8	Bolt
19	120-6682	2	Bolt (10 X 40)	35	107-0806	1	Valve-Flushing, LH
23	107-0861	1	Plug-NPTF	36	92-0757	2	Ring-Snap



## Gear Case and Clutch Assembly Transmission Assembly No. 121-3370

<i>Ref.</i>	<i>Part Number</i>	<i>Qty.</i>	<i>Description</i>	<i>Ref.</i>	<i>Part Number</i>	<i>Qty.</i>	<i>Description</i>
1	107-0839	1	PTO Brake ASM	21	107-0836	1	Spacer
2	107-0837	3	Rod-Push	22	107-0820	1	Gear-Input
3	107-0833	1	PTO Shaft ASM	23	107-0834	1	Gear-PTO
4	107-0825	2	Ring-Seal	24	107-0822	1	Shaft-Pump
5	107-0827	1	Shaft-Pump	25	107-0819	1	Shaft-Input
6	107-0823	2	Gear-Pump	26	92-0758	1	Ring-Snap
7	92-0765	4	Pin-Parallel	27	107-0838	3	Bearing
9	107-0826	4	Bearing	28	107-0866	1	Key
10	120-5152	1	Housing-Case, Gear	29	107-0835	1	Clutch Cylinder ASM
11	107-0863	13	Bolt	30	107-0854	1	Gear Housing Seal Kit
12	92-0757	1	Ring-Snap	30:1	107-0817	2	O Ring-Plug
13	107-0813	1	Spacer	30:2		2	O-Ring ●
16	107-0861	1	Plug-NPTF	30:3	104-3298	1	Packing
18	107-0857	6	Plug	30:4	107-0814	1	Seal
19	107-0811	1	Pipe	30:5	107-0816	1	Gasket-Housing, Gear
20	107-0821	2	Bearing				

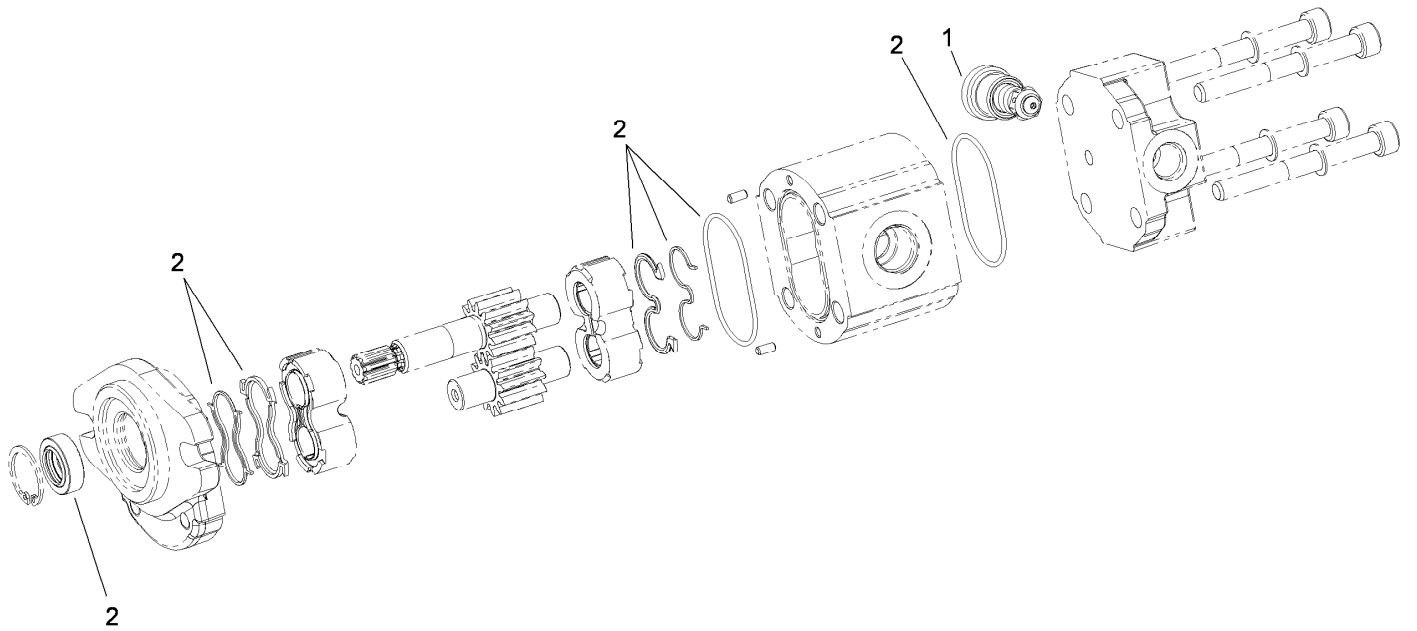
● Not serviced separately



## Driveshaft Assembly No. 110-3575

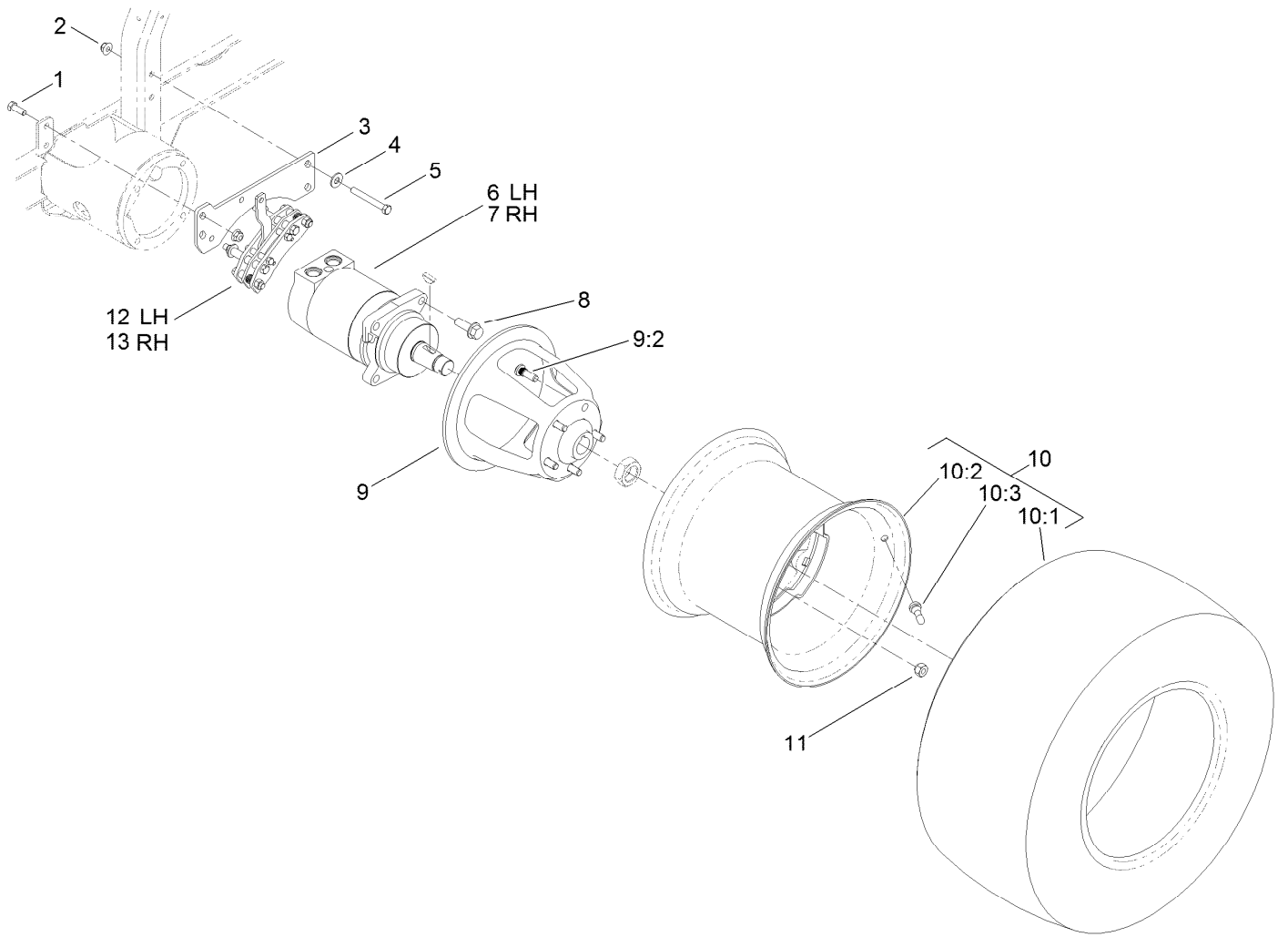
<i>Ref.</i>	<i>Part Number</i>	<i>Qty.</i>	<i>Description</i>
1	112-1687	2	Cross And Bearing Kit
1:1	62-3820	1	Fitting-Grease
3	54-9040	1	Yoke-End
4	54-9090	1	Yoke-End
5		1	Tube-Yoke, Slip ●
5:1	302-22	1	Fitting-Grease

● Not serviced separately



## Hydraulic Gear Pump Assembly No. 112-9542

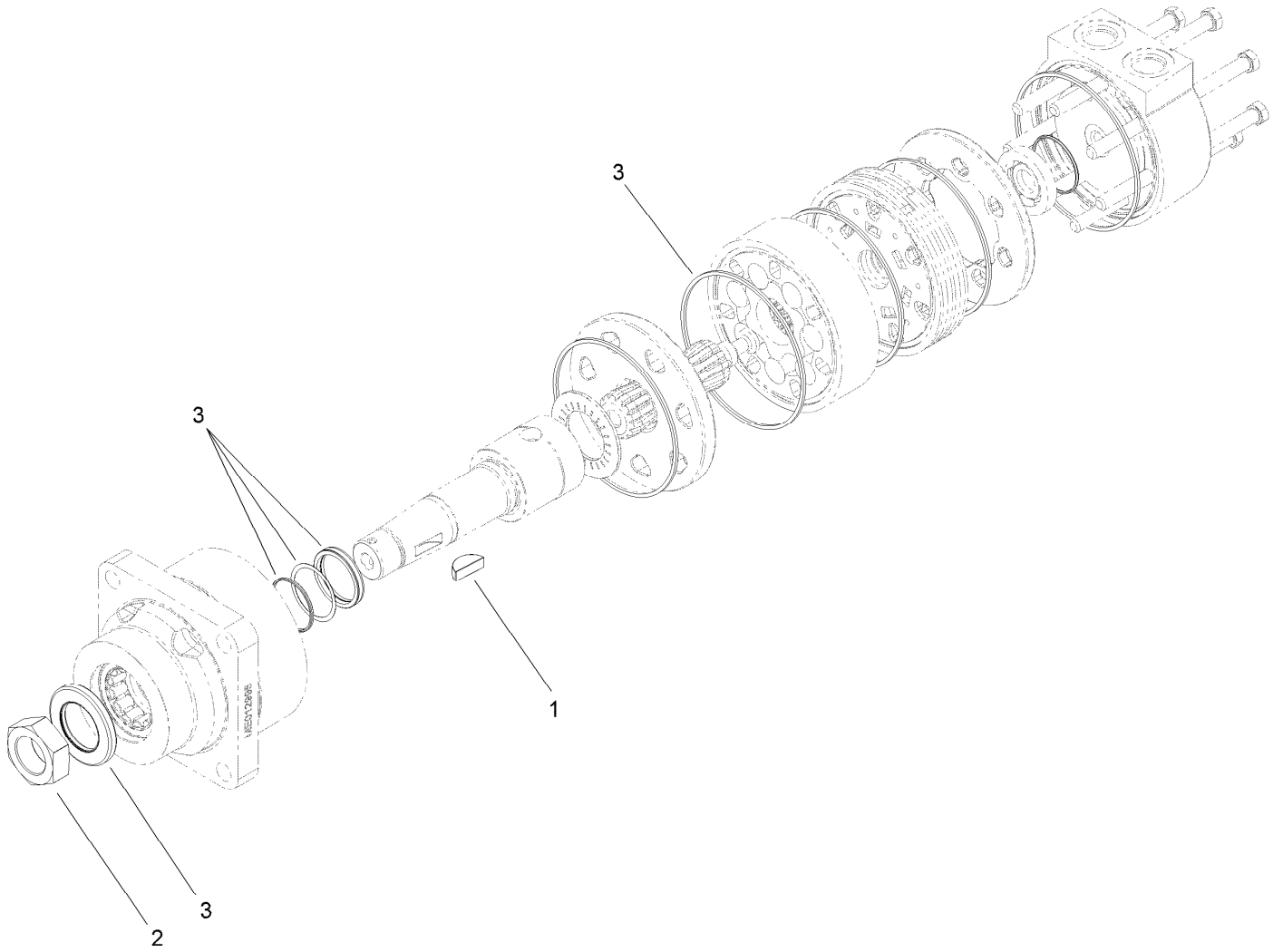
<i>Ref.</i>	<i>Part Number</i>	<i>Qty.</i>	<i>Description</i>
1	112-0198	1	Valve
2	112-0199	1	Seal Kit



## Wheel Hub and Wheel Assembly

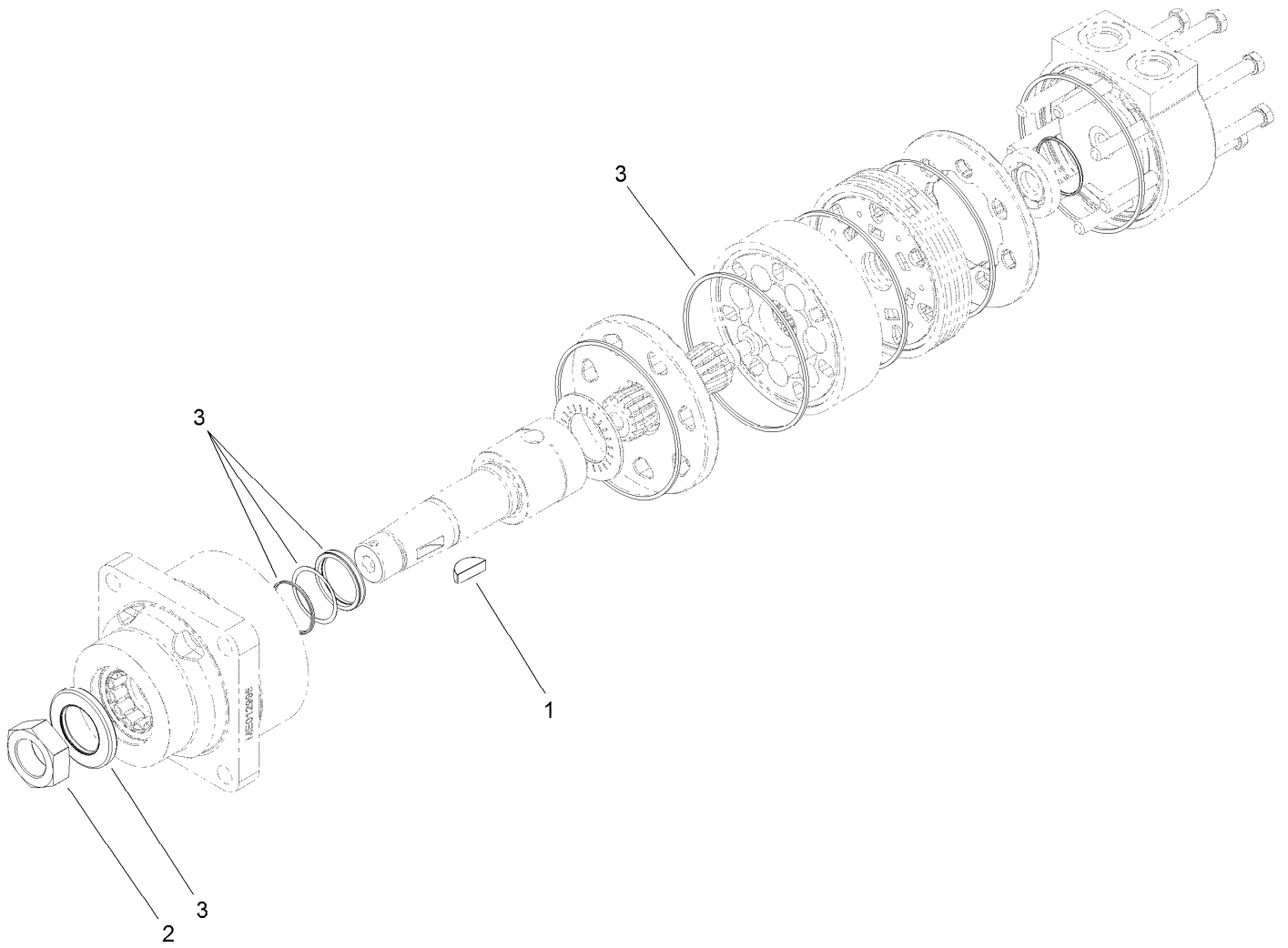
Ref.	Part Number	Qty.	Description
1	323-6	4	Screw-HH
2	104-8301	8	Nut-Flange, NI
3	112-9550-03	2	Bracket-Brake
4	3256-4	4	Washer-Flat
5	323-14	4	Screw-HH
6	108-5155	1	LH HYD Motor ASM
7	108-5230	1	RH HYD Motor ASM
8	100-6116	8	Screw-HHF
9	110-5535	2	Wheel Hub ASM

Ref.	Part Number	Qty.	Description
9:2	87-8730	5	Stud
10	106-7864	2	Tire And Wheel ASM
10:1	106-7868	1	Tire
10:2	87-6750	1	Wheel
10:3	232-27	1	Stem-Valve
11	23-7270	10	Nut-Wheel
12	120-0013	1	LH Brake Caliper ASM
13	120-0014	1	RH Brake Caliper ASM



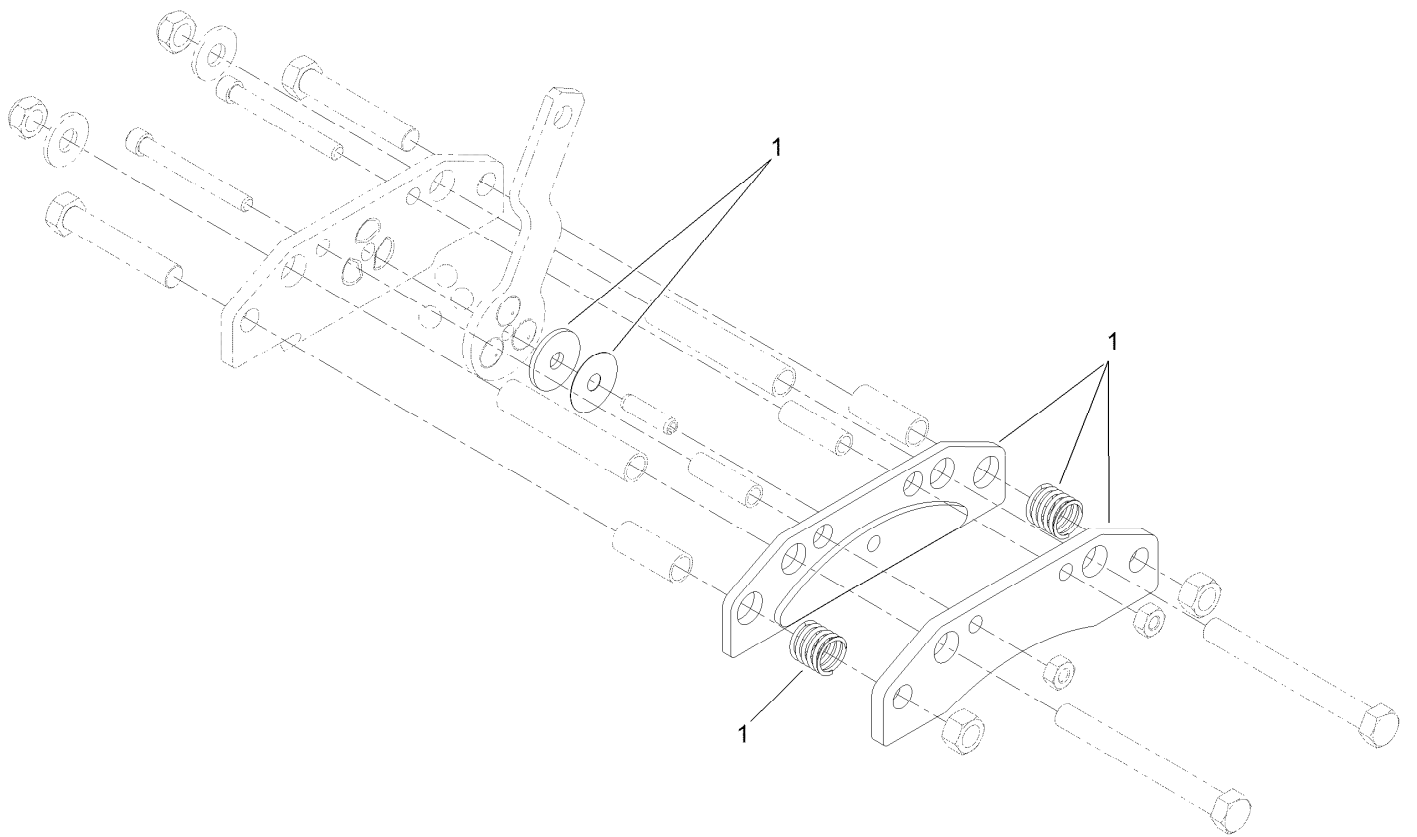
## Hydraulic Motor Assembly No. 108-5155

<i>Ref.</i>	<i>Part Number</i>	<i>Qty.</i>	<i>Description</i>
1	3257-42	1	Key-Woodruff
2	107-9319	1	Nut-Hex
3	112-8405	1	Seal Kit



## Hydraulic Motor Assembly No. 108-5230

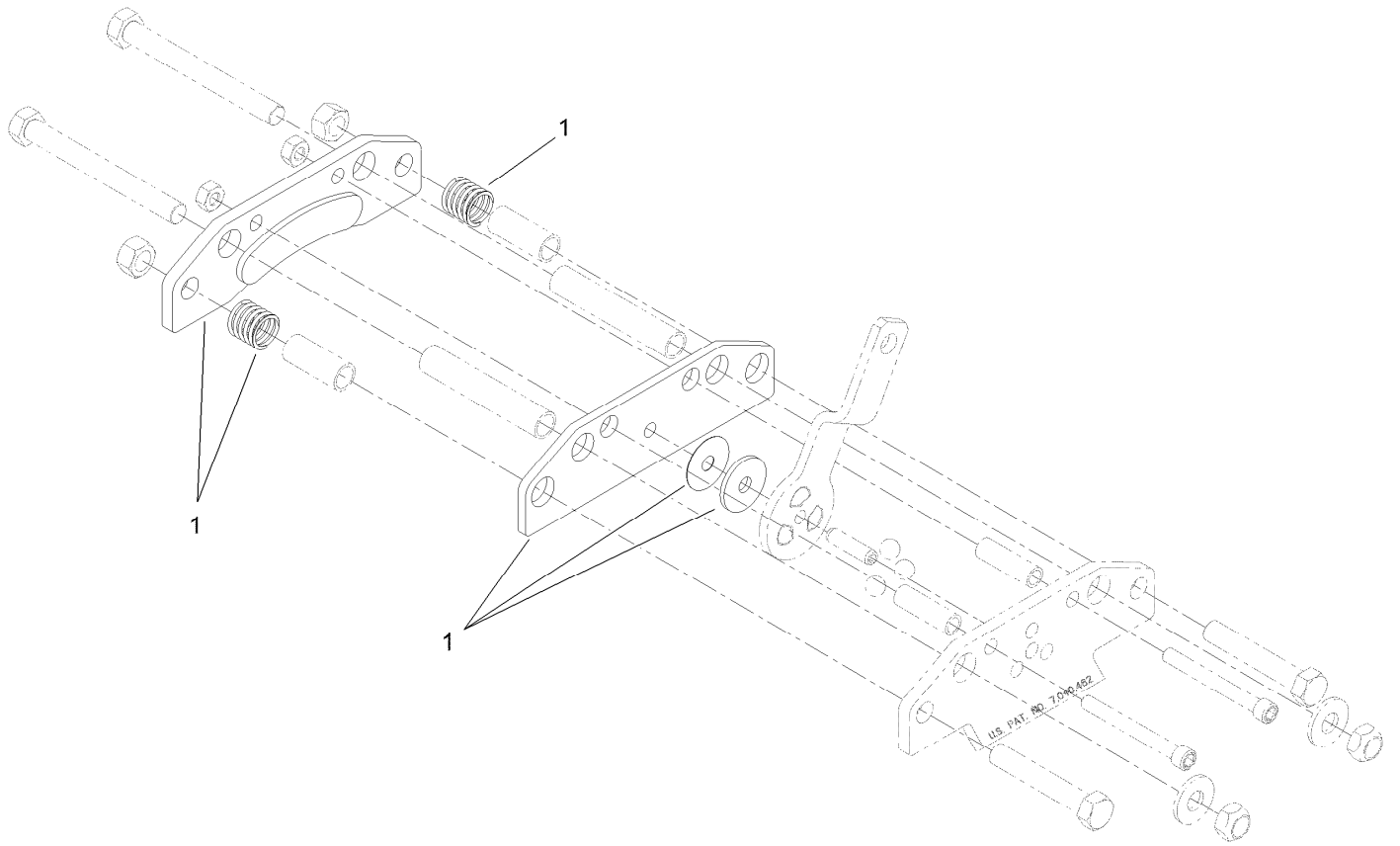
<i>Ref.</i>	<i>Part Number</i>	<i>Qty.</i>	<i>Description</i>
1	3257-42	1	Key-Woodruff
2	107-9319	1	Nut-Hex
3	112-8405	1	Seal Kit



## LH Brake Caliper Assembly No. 120-0013

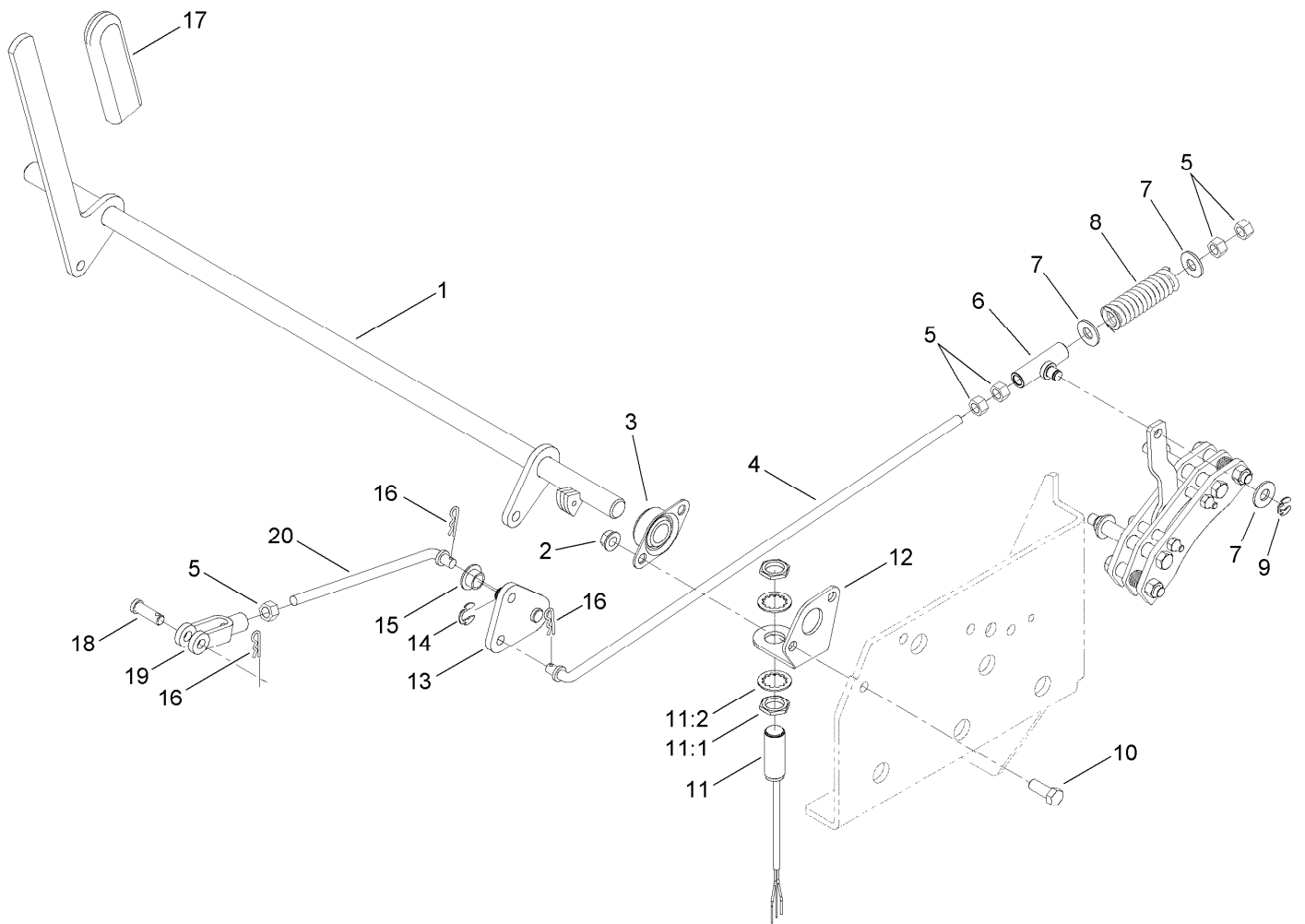
<i>Ref.</i>	<i>Part Number</i>	<i>Qty.</i>	<i>Description</i>
1	120-0015	1	Replacement Brake Pad Service Kit





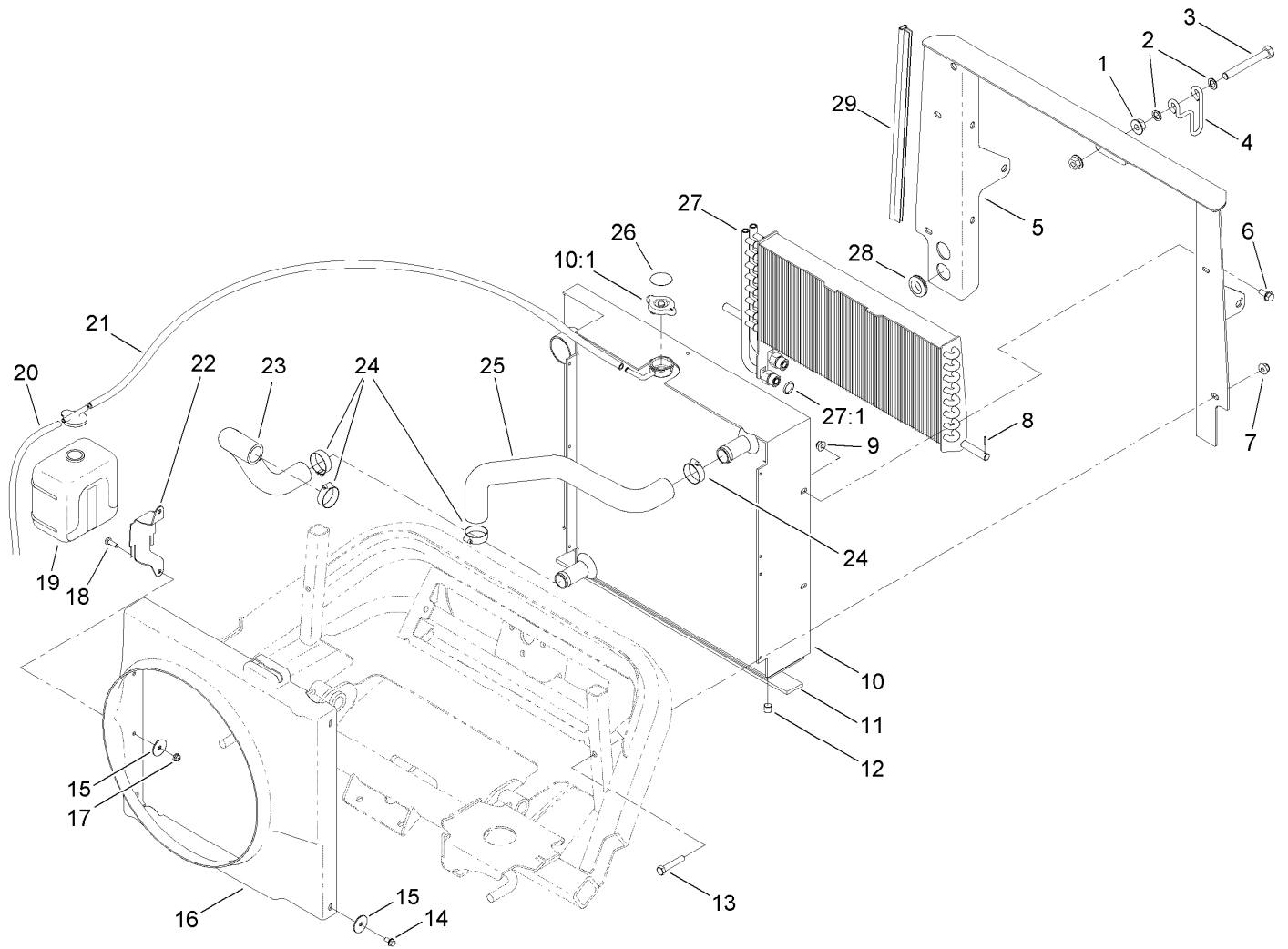
## RH Brake Caliper Assembly No. 120-0014

<i>Ref.</i>	<i>Part Number</i>	<i>Qty.</i>	<i>Description</i>
1	120-0015	1	Replacement Brake Pad Service Kit



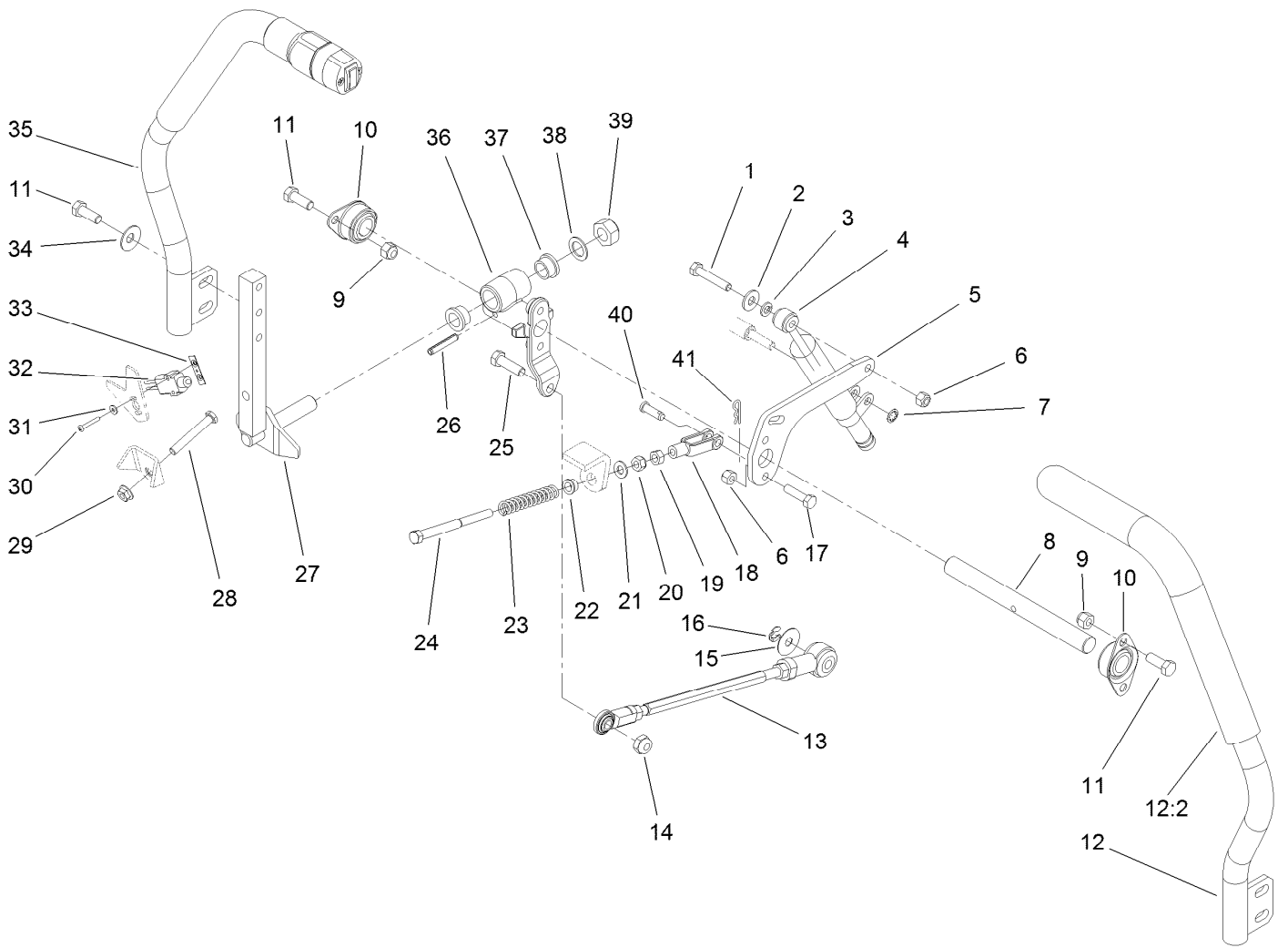
## Brake Handle Assembly

<i>Ref.</i>	<i>Part Number</i>	<i>Qty.</i>	<i>Description</i>	<i>Ref.</i>	<i>Part Number</i>	<i>Qty.</i>	<i>Description</i>
1	117-5582-03	1	Handle-Brake	11:1	117-3207	2	Nut-Hex
2	3290-357	4	Nut-HHF, Whiz	11:2	117-3208	2	Washer-Lock, Internal Tooth
3	1-633102	2	Bearing-Flange, Side	12	117-5572	1	Bracket-Switch
4	120-0009	2	Rod-Brake	13	120-0022	2	Pivot-Brake
5	3219-3	10	Nut-Hex	14	32151-68	2	Ring-Retaining
6	112-1676	2	Swivel	15	1-513140	4	Bearing-Control
7	3256-4	6	Washer-Flat	16	3290-307	6	Pin-Hair
8	109-2230	2	Spring-Compression	17	1-633268	1	Grip-Lever
9	32151-47	2	Ring-Retaining	18	1-808285	2	Pin-Clevis
10	323-6	4	Screw-HH	19	1-633131	2	Yoke-Linkage, Brake
11	115-5300	1	Proximity Switch ASM	20	120-0023	2	Rod-Brake



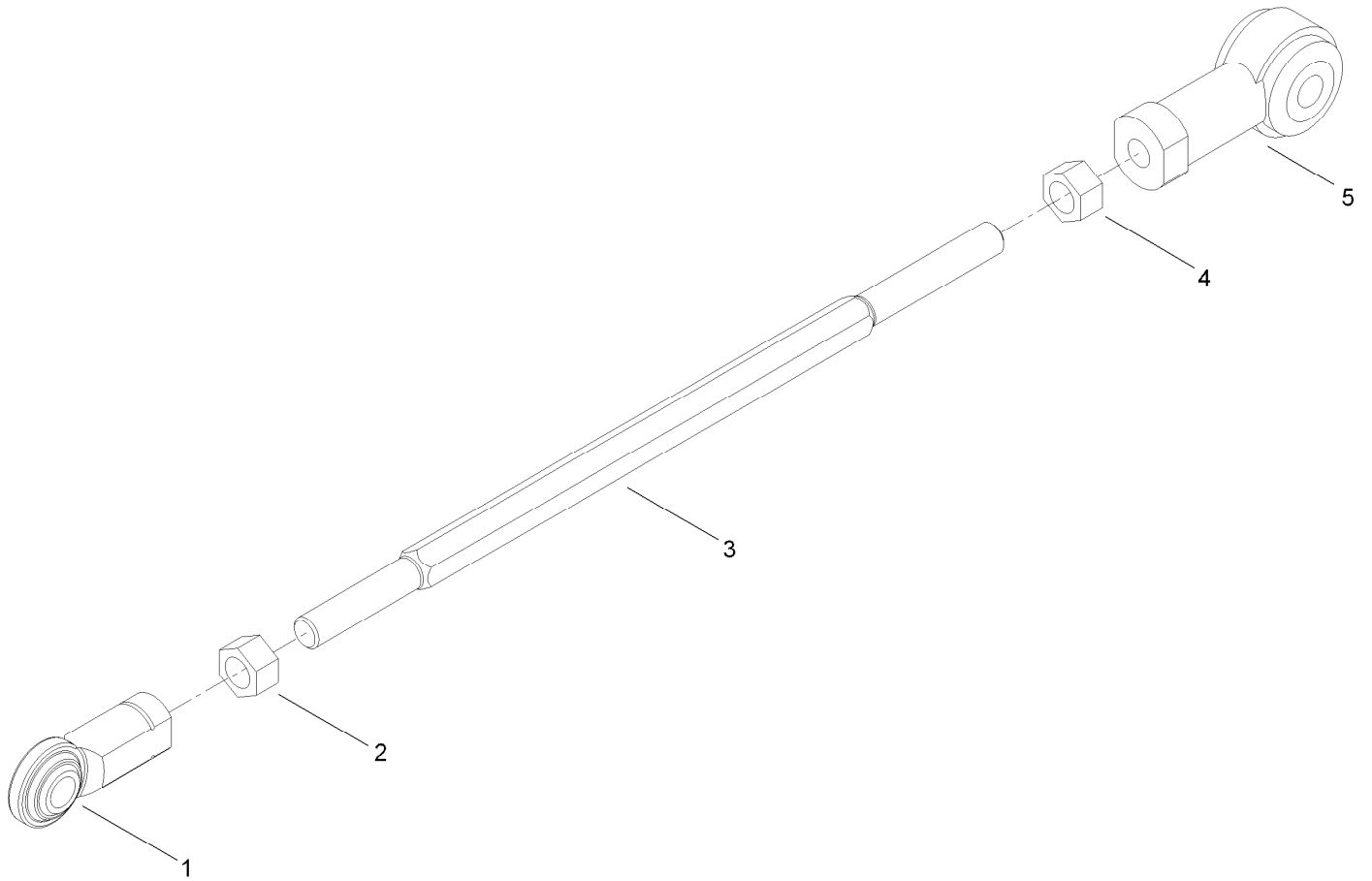
## Radiator and Oil Cooler Assembly

Ref.	Part Number	Qty.	Description	Ref.	Part Number	Qty.	Description
1	32128-49	2	Nut-HHF	16	117-9232	1	Shroud-Fan
2	41-8440	2	Washer	17	104-7201	2	Nut-HF
3	325-17	1	Screw-HH	18	321-4	2	Screw-HH
4	104-5429	1	Clamp-Form, Wire	19	108-0638	1	Bottle-Overflow
5	110-8277-03	1	Frame-Radiator	20	108-3284	1	Hose-Fuel
6	3234-5	4	Screw-HHF	21	109-0274	1	Hose-Fuel
7	104-8301	4	Nut-Flange, NI	22	108-9930-03	1	Bracket-Bottle
8	32121-107	1	Pin-Roll, Slotted	23	105-7283	1	Hose-Radiator, Lower
9	104-8300	4	Nut-Flange, NI	24	2412-34	4	Clamp-Hose
10	117-5135	1	Radiator	25	105-7282	1	Hose-Radiator, Upper
10:1	121-3518	1	Cap-Radiator	26	106-6755	1	Decal-Cap, Radiator
11	108-9935	1	Strip-Foam	27	112-1684	1	Cooler-Oil
12	99-8551	1	Plug-Pipe	27:1	237-30	2	O-Ring
13	323-10	4	Screw-HH	28	240-5	2	Grommet
14	32104-116	4	Screw-HF	29	107-2269	2	Seal-Bulb
15	3256-55	6	Washer-Flat				



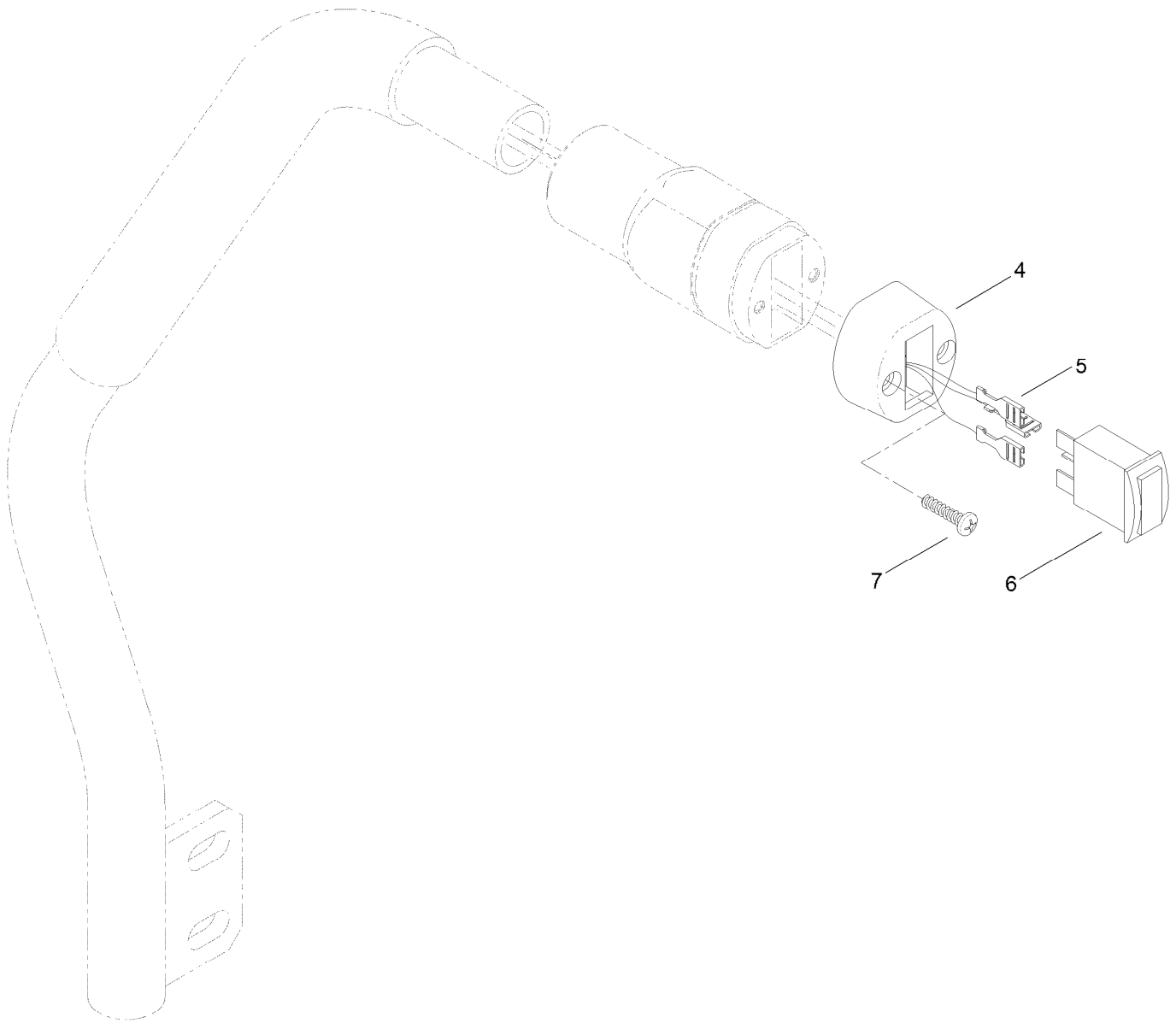
## Traction Control Assembly

Ref.	Part Number	Qty.	Description	Ref.	Part Number	Qty.	Description
1	322-9	2	Screw-HH	21	3256-23	2	Washer-Flat
2	3256-3	2	Washer-Flat	22	1-603735	2	Bushing-Flanged
3	3253-4	4	Washer-Lock	23	1-603807	2	Spring-Return, Neutral
4	105-7280	2	Damper	24	1-603737	2	Bolt-Return, Neutral
5	108-9829-03	2	Lever-Damper	25	323-7	2	Screw-HH
6	3296-29	6	Nut-Lock, NI	26	32121-15	2	Pin-Roll
7	32151-72	2	Ring-Retaining	27	108-9833-03	2	Lever
8	108-9830	2	Shaft-Pivot	28	9114524	2	Bolt-TAP, HH
9	3296-39	8	Nut-Lock, NI	29	32128-26	2	Nut-Flange
10	1-633102	4	Bearing-Flange, Side	30	3250-35	4	Screw-PPH
11	323-6	12	Screw-HH	31	3256-53	4	Washer-Flat
12	125-2688	1	LH Lever ASM	32	99-3410	2	Switch
12:2	125-2704	1	Grip-Foam	33	108-9824	2	Nut-Switch
13	112-5099	2	Link ASM	34	3290-461	4	Washer-Spring
14	3296-44	2	Nut-Lock, NI	35	125-2687	1	RH Lever ASM
15	105-6814	2	Washer-Plain	36	108-9831	2	Hub-Control
16	32151-47	2	Ring-Retaining	37	105-3455	4	Bushing
17	322-6	4	Screw-HH	38	105-3481	4	Washer-Thrust
18	1-303105	2	Yoke-Adjustable	39	32152-6	2	Nut-Lock, Cone
19	3219-2	2	Nut-Hex	40	283-1	2	Pin-Clevis
20	3296-4	2	Nut-Lock	41	3290-307	2	Pin-Hair



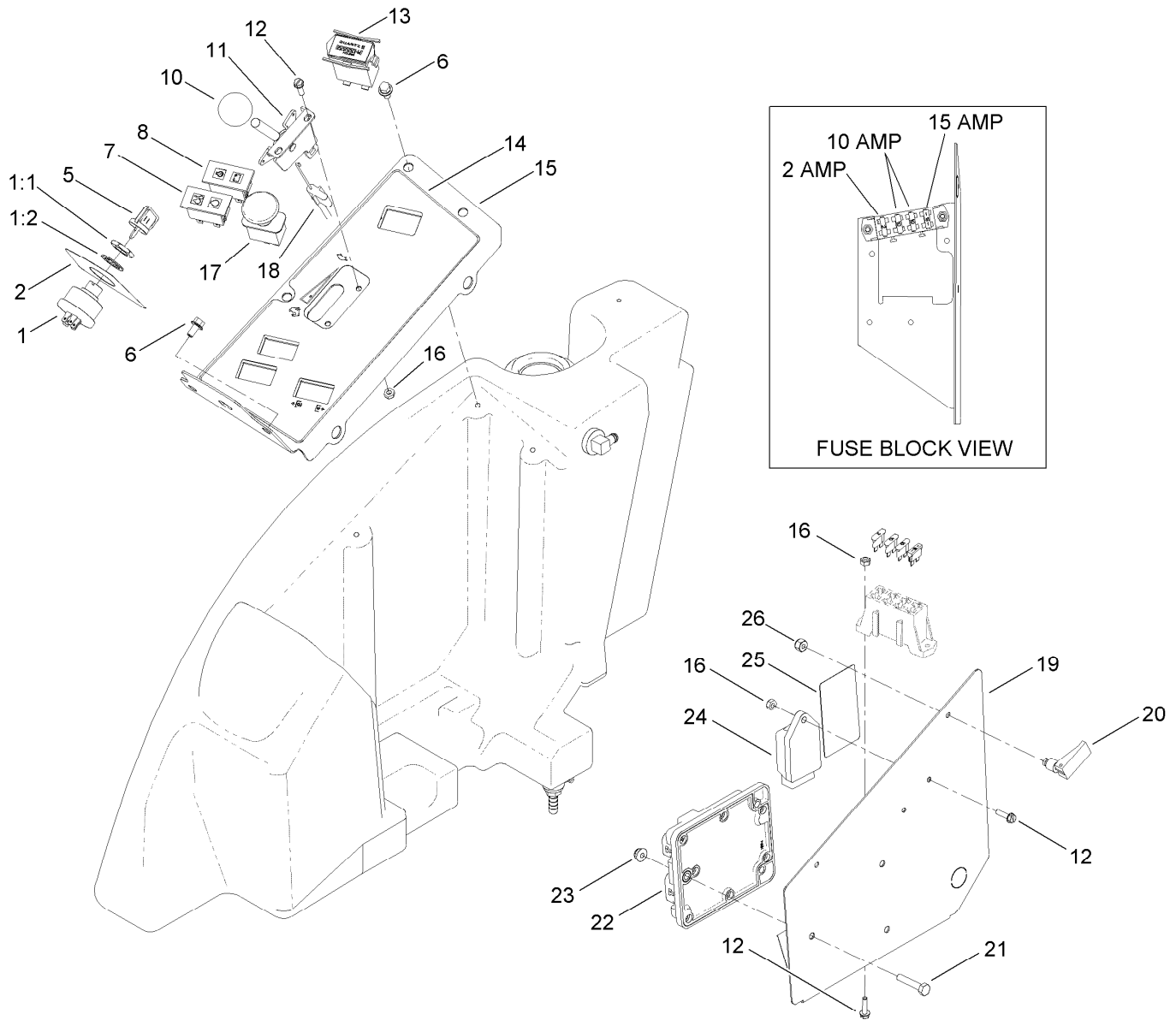
## Link Assembly No. 112-5099

<i>Ref.</i>	<i>Part Number</i>	<i>Qty.</i>	<i>Description</i>
1	103-1167	1	Joint-Ball End, LH
2	3219-20	1	Nut-Hex, LH
3	105-7239	1	Rod-Threaded
4	3219-3	1	Nut-Hex
5	105-7199	1	Rod End-Isolated



## RH Lever Assembly No. 125-2687

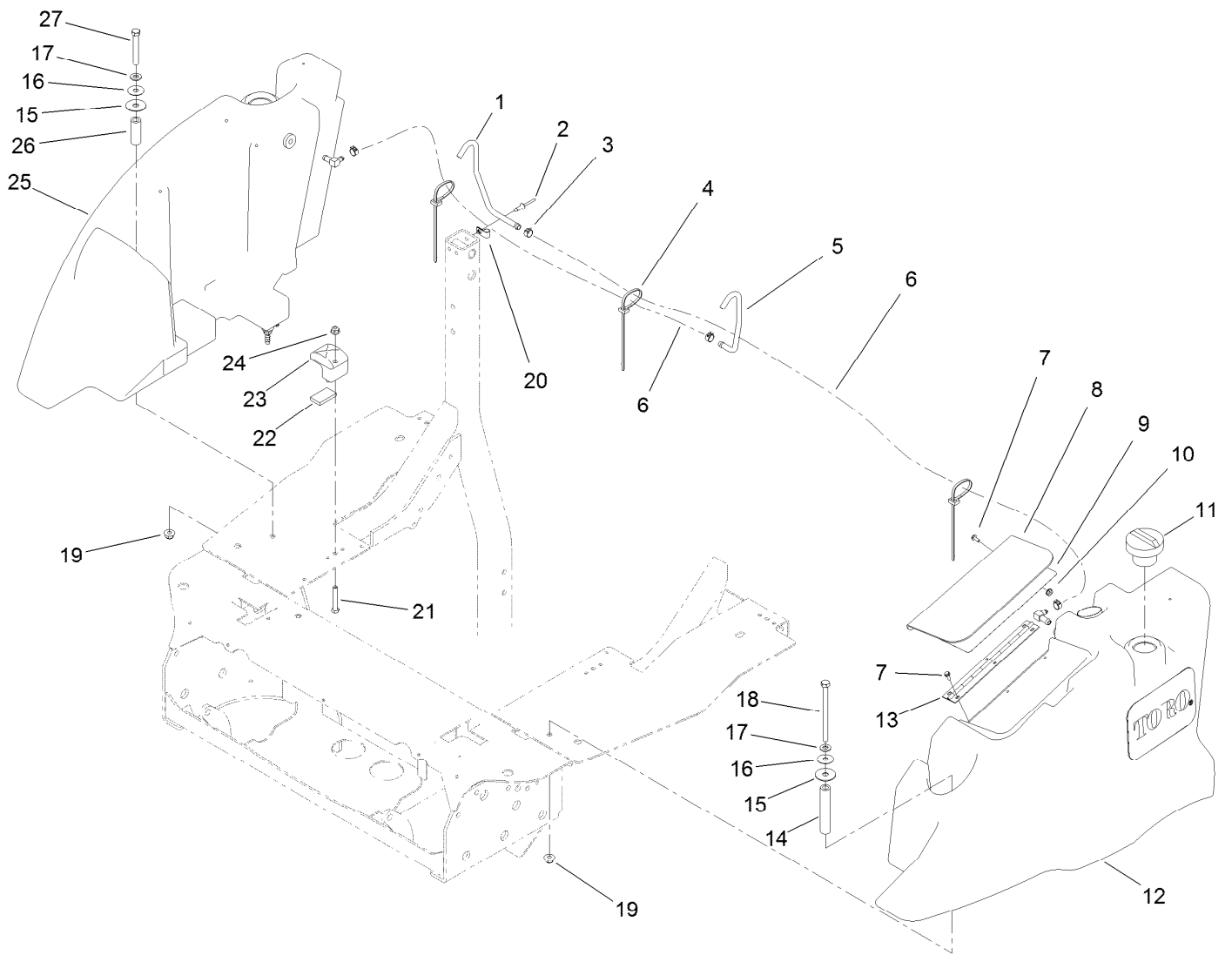
<i>Ref.</i>	<i>Part Number</i>	<i>Qty.</i>	<i>Description</i>
4	121-3399	1	Cap-Switch
5	119-4382	1	Harness-Control Handle
6	125-2702	1	Switch, Spst (On)-Off-On
7	94-4496	2	Screw-PPH



## Control Panel Assembly

Ref.	Part Number	Qty.	Description
1	104-2541	1	Switch ASM
1:1	218-461	1	Nut-HH
1:2	3254-5	1	Washer-Tooth, Internal
2	110-8254	1	Decal-Start, Control Panel
5	63-8360	2	Key-Ignition (W/Shield)
6	3234-13	5	Screw-HHF
7	100-8071	1	Lamp-Warning
8	100-8070	1	Lamp-Warning
10	233-42	1	Knob
11	110-5547	1	Lever-Control
12	32105-13	5	Screw-HWH
13	1-513374	1	Meter-Hour
14	110-8253	1	Decal-Panel, Control

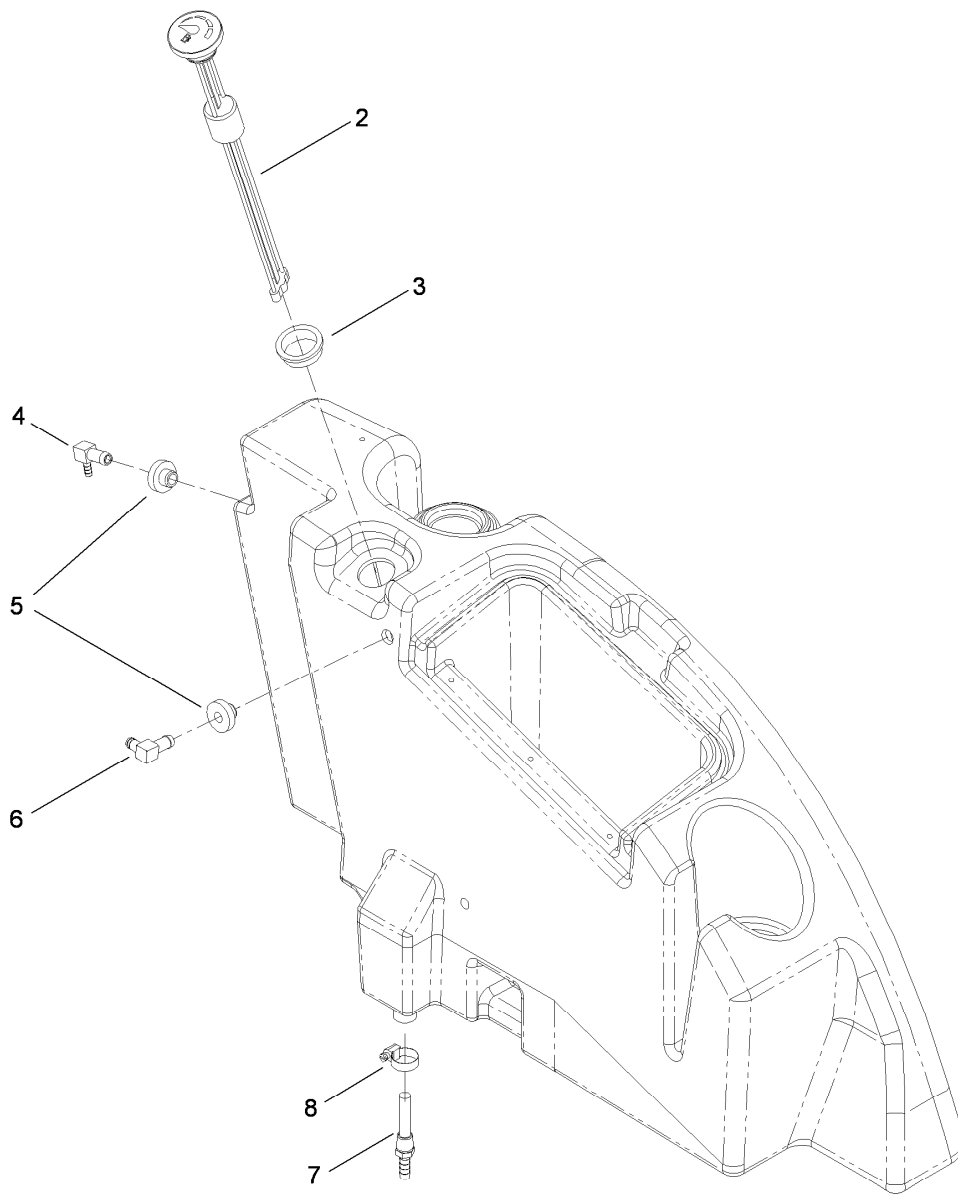
Ref.	Part Number	Qty.	Description
15	110-8256-03	1	Panel-Control
16	3296-2	7	Nut-Lock, NI
17	93-9999	1	Switch-PTO
18	110-5548	1	Cable-Throttle
19	110-8257-03	1	Cover-Panel, Control
20	74-5950	2	Latch-Swell
21	321-13	3	Screw-HH
22	106-9277	1	Module-Control, Standard
23	104-7201	3	Nut-HF
24	107-9097	1	Controller-Glow
25	110-9796	1	Decal-Block, Fuse
26	1-804254	2	Nut-Lock, HH



## Left-Hand and Right-Hand Fuel Tank Assembly

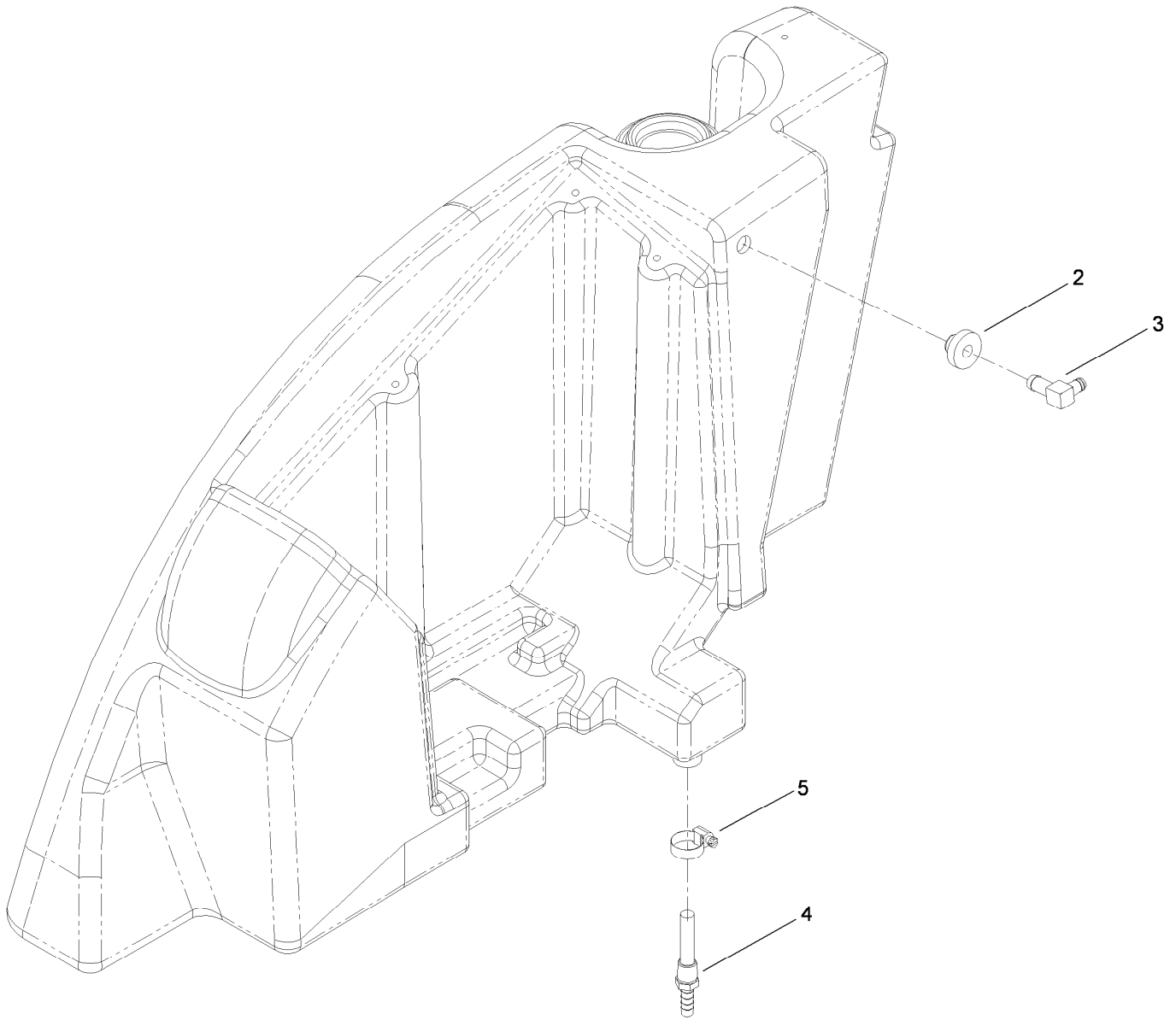
<i>Ref.</i>	<i>Part Number</i>	<i>Qty.</i>	<i>Description</i>	<i>Ref.</i>	<i>Part Number</i>	<i>Qty.</i>	<i>Description</i>
1	110-8260	1	Tube-Vent, RH	15	95-1905	2	Washer-Rubber
2	3290-412	2	Rivet	16	105-6814	2	Washer-Plain
3	92-2379	8	Clamp-Hose	17	3256-24	2	Washer-Flat
4	3290-378	3	Tie-Cable	18	323-39	1	Screw-HH
5	110-8261	1	Tube-Vent, LH	19	104-8301	2	Nut-Flange, NI
6	110-6186	2	Hose-Fuel	20	2412-89	2	Clamp-R
7	112-6349	6	Screw-HWH	21	322-10	4	Screw-HH
8	110-5540-03	1	Cover-Toolbox	22	112-9561	4	Pad-Foam
9	110-8252	1	Decal-Instructions, Service	23	107-4543	4	Clamp
10	32149-8	3	Nut-Keps	24	104-8300	4	Nut-Flange, NI
11	115-5305	2	Cap-Fuel	25	110-8236	1	RH Fuel Tank ASM
12	110-8230	1	LH Fuel Tank ASM	26	92-1239	1	Spacer-Support
13	108-2024	1	Hinge	27	323-13	1	Screw-HH
14	110-5539	1	Spacer				





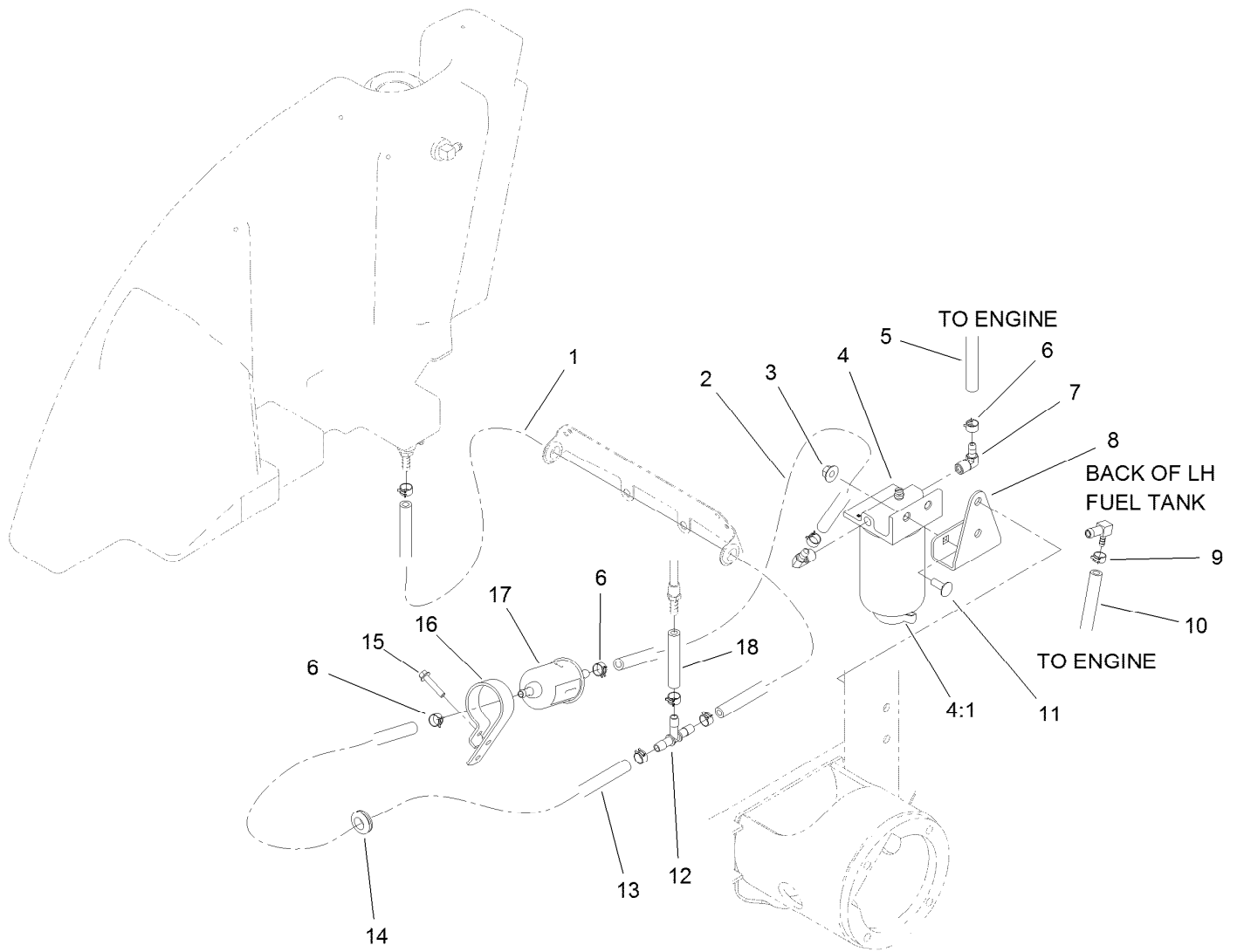
## LH Fuel Tank Assembly No. 110-8230

<i>Ref.</i>	<i>Part Number</i>	<i>Qty.</i>	<i>Description</i>
2	110-8262	1	Gauge-Fuel
3	95-8972	1	Grommet
4	104-5228	1	Fitting-Elbow, 90 DEG
5	46-6560	2	Bushing
6	1-643259	1	Fitting-Elbow
7	112-6374	1	Fitting-Strainer
8	2412-36	1	Clamp-Hose



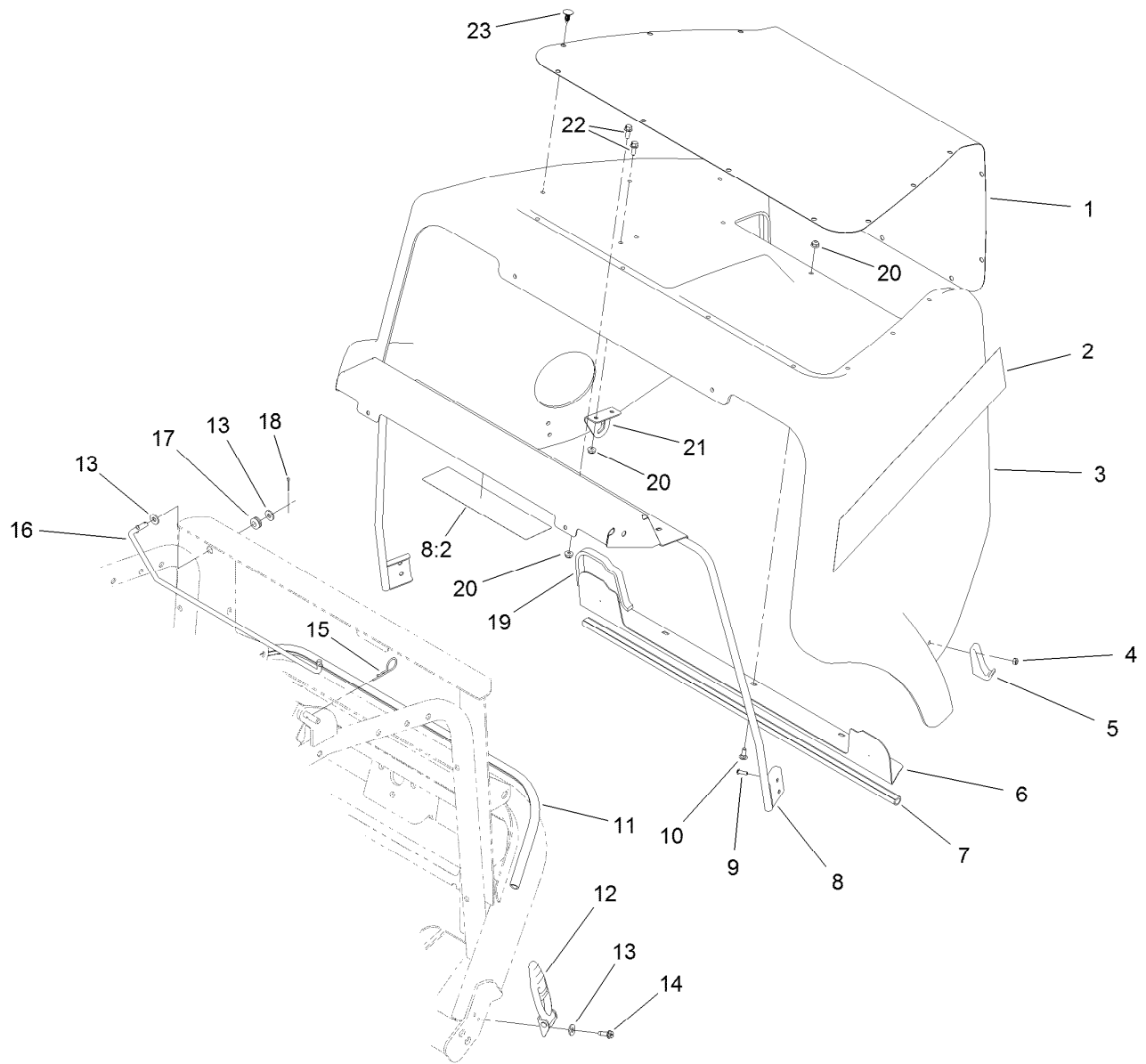
## RH Fuel Tank Assembly No. 110-8236

<i>Ref.</i>	<i>Part Number</i>	<i>Qty.</i>	<i>Description</i>
2	46-6560	1	Bushing
3	1-643259	1	Fitting-Elbow
4	112-6374	1	Fitting-Strainer
5	2412-36	1	Clamp-Hose



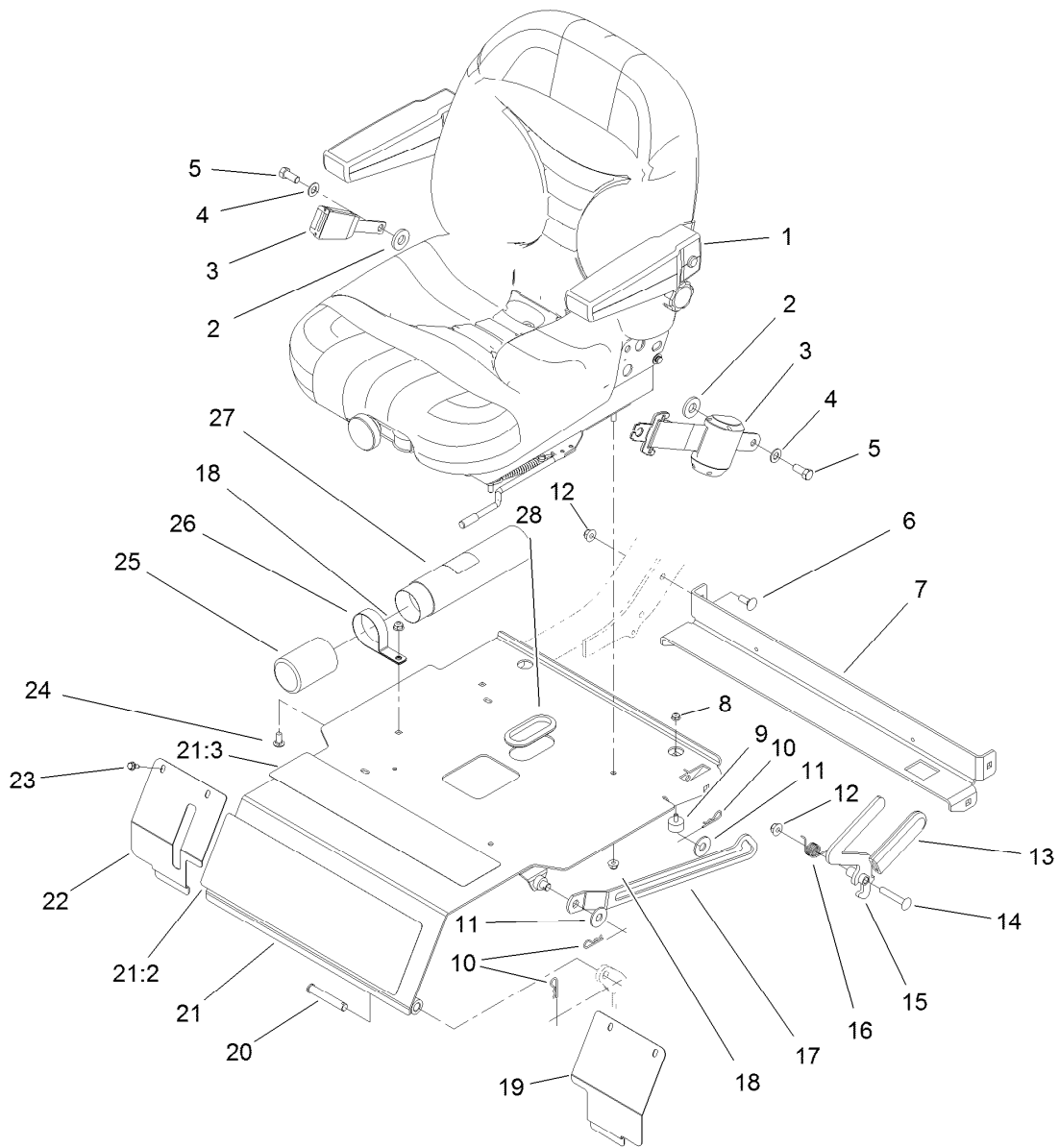
## Fuel Filter / Seperator Assembly

<i>Ref.</i>	<i>Part Number</i>	<i>Qty.</i>	<i>Description</i>	<i>Ref.</i>	<i>Part Number</i>	<i>Qty.</i>	<i>Description</i>
1	109-0309	1	Hose-Fuel	10	110-8255	1	Hose-Fuel
2	114-4028	1	Hose-Fuel	11	3230-10	2	Screw-CARR
3	32128-44	2	Nut	12	354-107	1	Fitting-HYD, Tee
4	110-9044	1	Seperator Filter ASM	13	110-4113	1	Hose-Fuel
4:1	110-9049	1	Filter-Spin On	14	237-124	1	Grommet
5	110-4104	1	Hose-Fuel	15	32144-110	1	Screw-HWH
6	92-2379	8	Clamp-Hose	16	110-8817	1	Bracket-Pump, Fuel
7	353-781	2	Fitting-Elbow	17	110-8806	1	Pump-Fuel
8	114-4058-03	1	Mount-Separator	18	112-6388	1	Hose-Fuel
9	2412-80	2	Clamp-Hose				



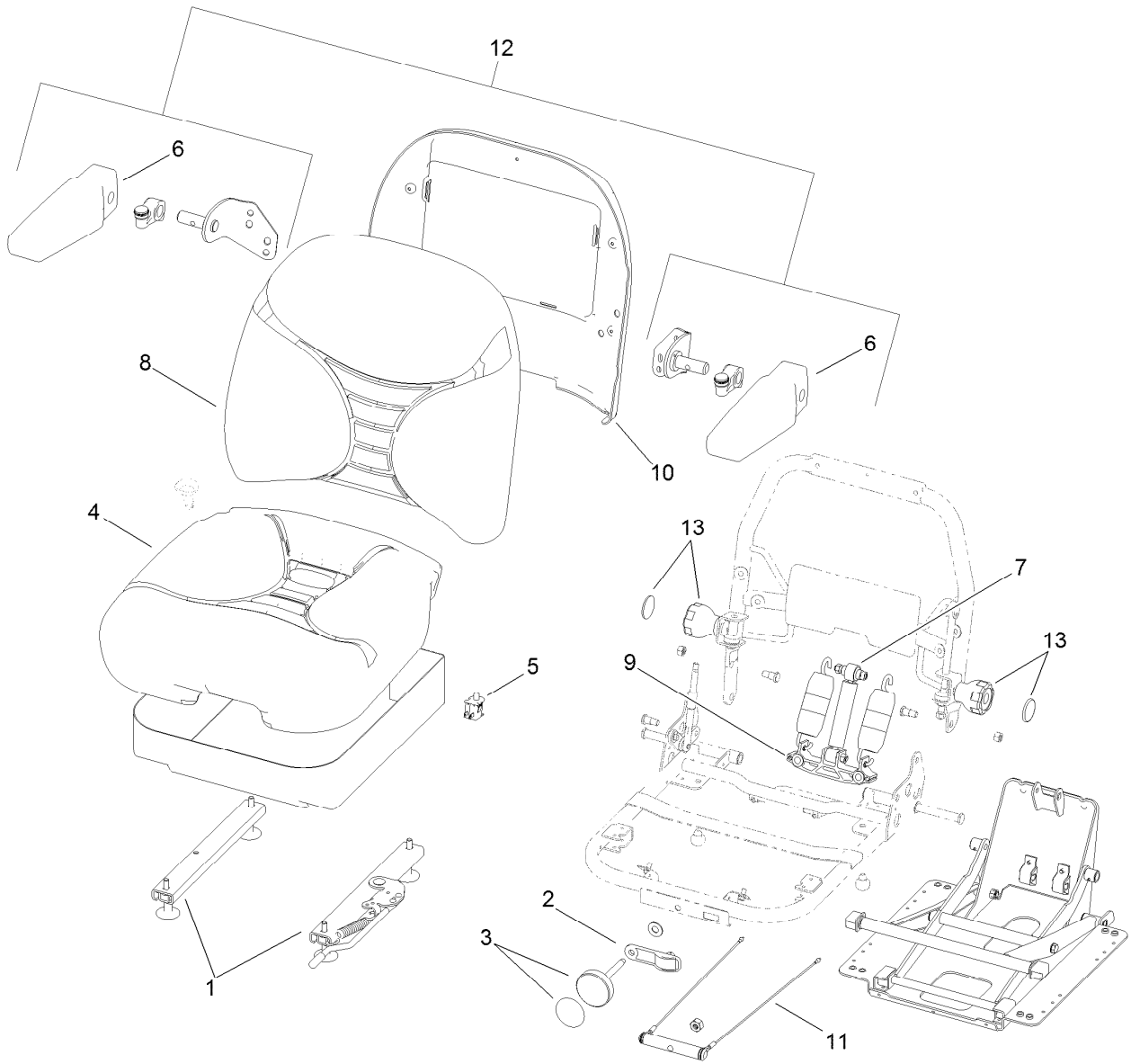
## Hood and Screen Assembly

<i>Ref.</i>	<i>Part Number</i>	<i>Qty.</i>	<i>Description</i>	<i>Ref.</i>	<i>Part Number</i>	<i>Qty.</i>	<i>Description</i>
1	115-1446-03	1	Screen-Intake	12	103-2898	2	Latch-Rubber
2	110-5545	2	Decal-Hood	13	3256-2	4	Washer-Flat
3	108-9909	1	Hood	14	32104-95	2	Screw-HWH
3	112-6311	1	Hood ASM	15	3290-255	1	Pin-Cotter, Hair
4	3296-2	4	Nut-Lock, NI	16	110-8291	1	Rod-Prop, Hood
5	103-2897	2	Latch-Catch	17	237-136	1	Grommet
6	110-8285-03	1	Angle-Seal	18	3272-6	1	Pin-Cotter
7	110-8287	1	Bulb-Seal	19	110-8288	2	Seal-Foam
8	110-9795	1	Support-Hood	20	104-7201	11	Nut-HF
8:2	110-9781	1	Decal-Danger	21	108-9811	1	Support-Rod, Prop
9	3274-39	4	Screw-HSBH	22	3234-33	8	Screw-HHF
10	3229-11	3	Screw-CARR	23	117-2382	17	Plug-Plastic
11	112-1694	1	Seal-Bulb				



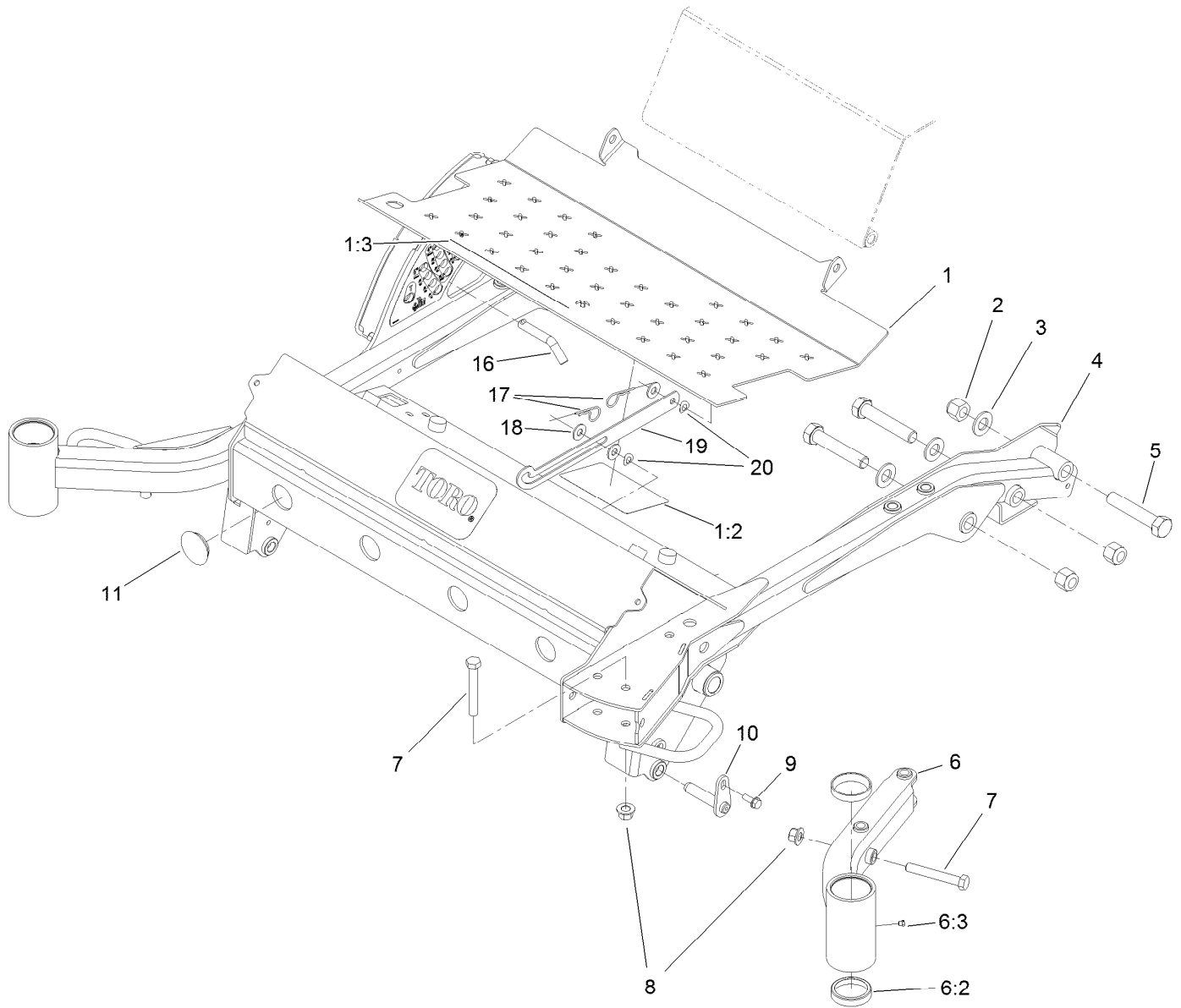
## Seat and Seat-Plate Assembly

<i>Ref.</i>	<i>Part Number</i>	<i>Qty.</i>	<i>Description</i>	<i>Ref.</i>	<i>Part Number</i>	<i>Qty.</i>	<i>Description</i>
1	107-2286	1	Seat ASM	16	121-3386	1	Spring-Torsion
2	99-7667	2	Washer-Flat	17	120-0097-03	1	Prop-Seat
3	110-0413	1	Seatbelt-Retractable	18	104-8300	6	Nut-Flange, NI
4	3256-25	2	Washer-Flat	19	120-9191-03	1	Cover-LH
5	3212-4	2	Screw-HH	20	283-55	2	Pin-Clevis
6	3231-2	4	Bolt-CARR	21	120-9197	1	Seat Plate ASM
7	120-0095-03	1	Support-Seat	21:2	120-9195	1	Decal-Safety
8	104-7201	2	Nut-HF	21:3	120-9196	1	Decal-Top Console Ce
9	240-14	2	Bumper-Rubber	22	120-9192-03	1	Cover-RH
10	3290-467	4	Pin-Hair	23	32144-10	4	Screw-HWH
11	3256-6	2	Washer-Flat	24	3230-23	2	Screw-CARR
12	104-8301	5	Nut-Flange, NI	25	104-7048	1	Cap-Housing
13	1-633268	1	Grip-Lever	26	2412-133	2	R-Clamp
14	3231-40	1	Bolt-CARR, Short Neck	27	104-7050	1	Tube-Manual
15	121-3390	1	Lever-Seat	28	237-164	1	Grommet



## Seat Assembly No. 107-2286

<i>Ref.</i>	<i>Part Number</i>	<i>Qty.</i>	<i>Description</i>
1	107-1880	1	Seat Track Kit
2	107-1885	1	Weight Indicator Kit
3	121-9431	1	Knob Kit
4	107-1883	1	Bottom Cushion Kit
5	82-2190	1	Switch-Bail
6	107-1887	2	Pad-Armrest
7	107-1884	1	Shock Absorber Kit
8	107-1882	1	Back Cushion Kit
9	109-3343	1	Spring And Saddle Kit
10	109-3344	1	Back Panel Kit
11	109-3345	1	Weight Adjust Kit
12	121-9415	1	Armrest Kit
13	121-9432	2	Adjust Knob Kit

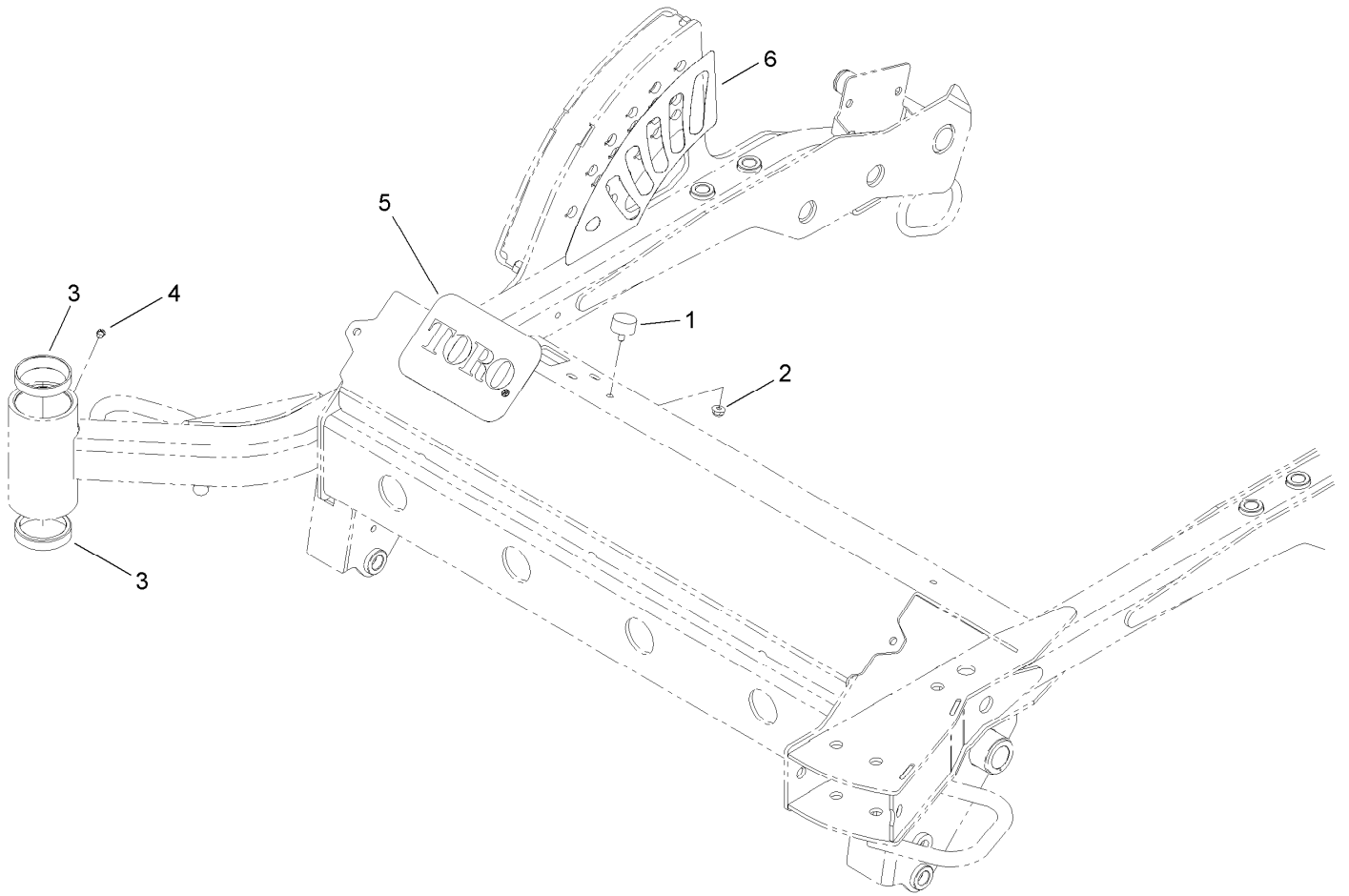


## Floorplate and Carrier Frame Assembly

Ref.	Part Number	Qty.	Description
1	120-9165	1	Floorplate ASM
1:2	112-1461	1	Decal-Routing, Belt
1:3	107-1866	1	Decal-Danger, Slope
2	3296-51	5	Nut-Lock, NI
3	92-5836	5	Washer
4		1	Carrier Frame ASM ●
5	328-7	5	Screw-HH
6	121-3340	1	Castor Arm ASM
6:2	254-107	2	Cup-Bearing, Tapered
6:3	1-811010	1	Plug

Ref.	Part Number	Qty.	Description
7	325-14	3	Screw-HH
8	99-5107	3	Nut-Lock
9	32144-41	2	Screw-Taptite
10	112-1602	2	Pin-Retainer
11	121-3397	4	Plug-Grommet
16	112-9544	1	Pin-HOC
17	3290-255	2	Pin-Cotter, Hair
18	3256-4	3	Washer-Flat
19	121-3394-03	1	Prop-Floor
20	108571	2	Washer-Spring

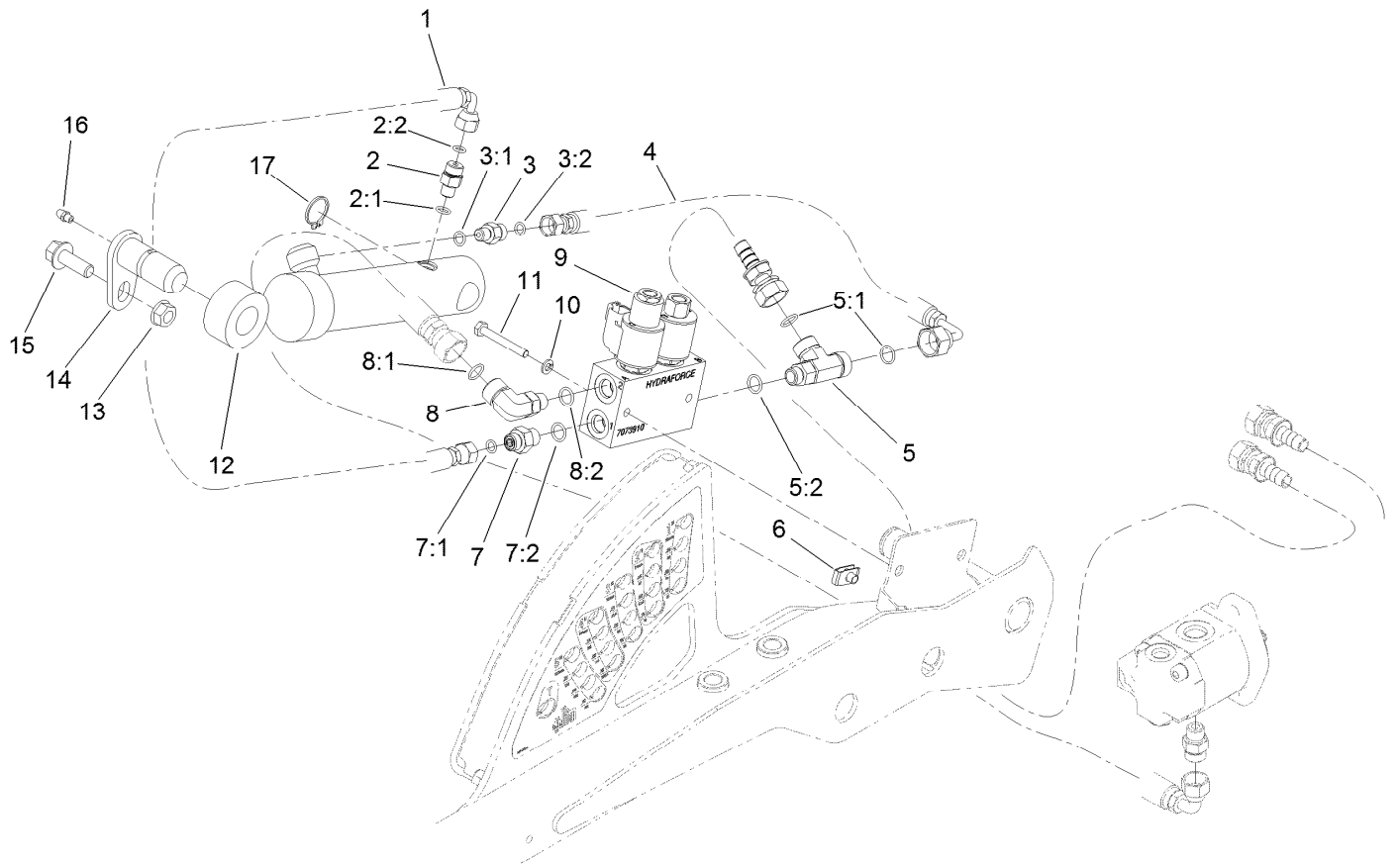
● Not serviced separately



## Carrier Frame Assembly No. 121-3356

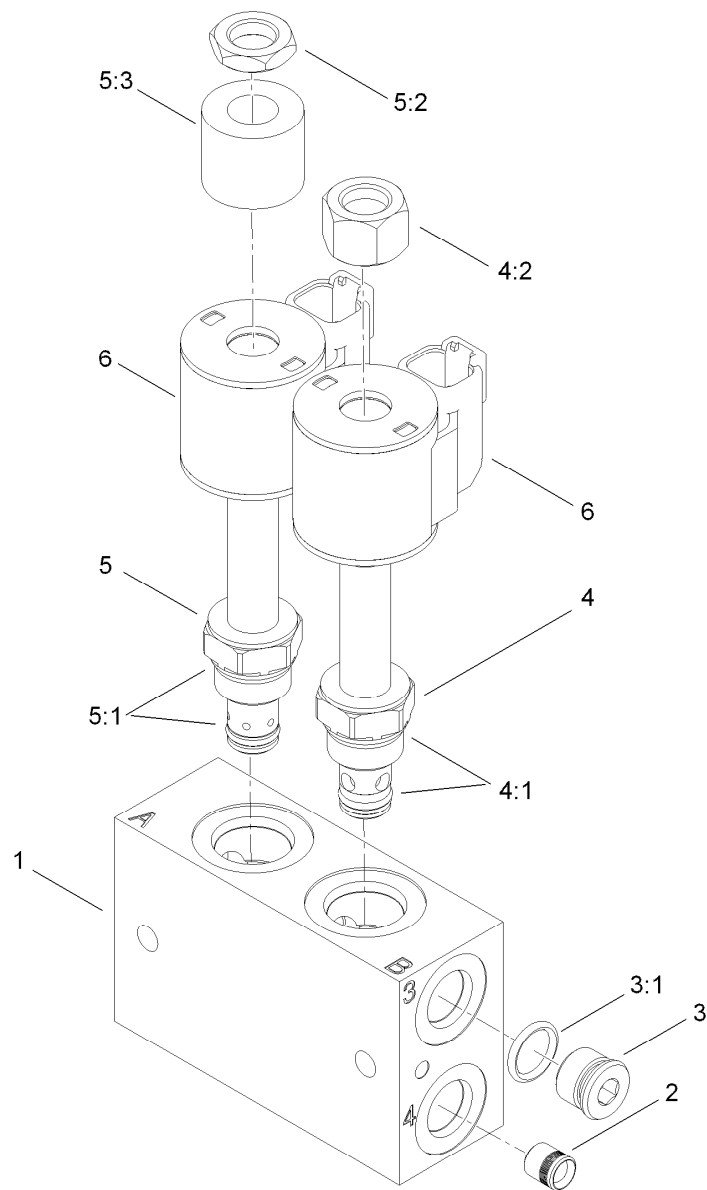
<i>Ref.</i>	<i>Part Number</i>	<i>Qty.</i>	<i>Description</i>
1	240-14	4	Bumper-Rubber
2	104-7201	4	Nut-HF
3	254-107	2	Cup-Bearing, Tapered
4	1-811010	1	Plug
5	99-4693	1	Decal
6	120-9164	1	Decal-HOC





## Lift Valve Assembly

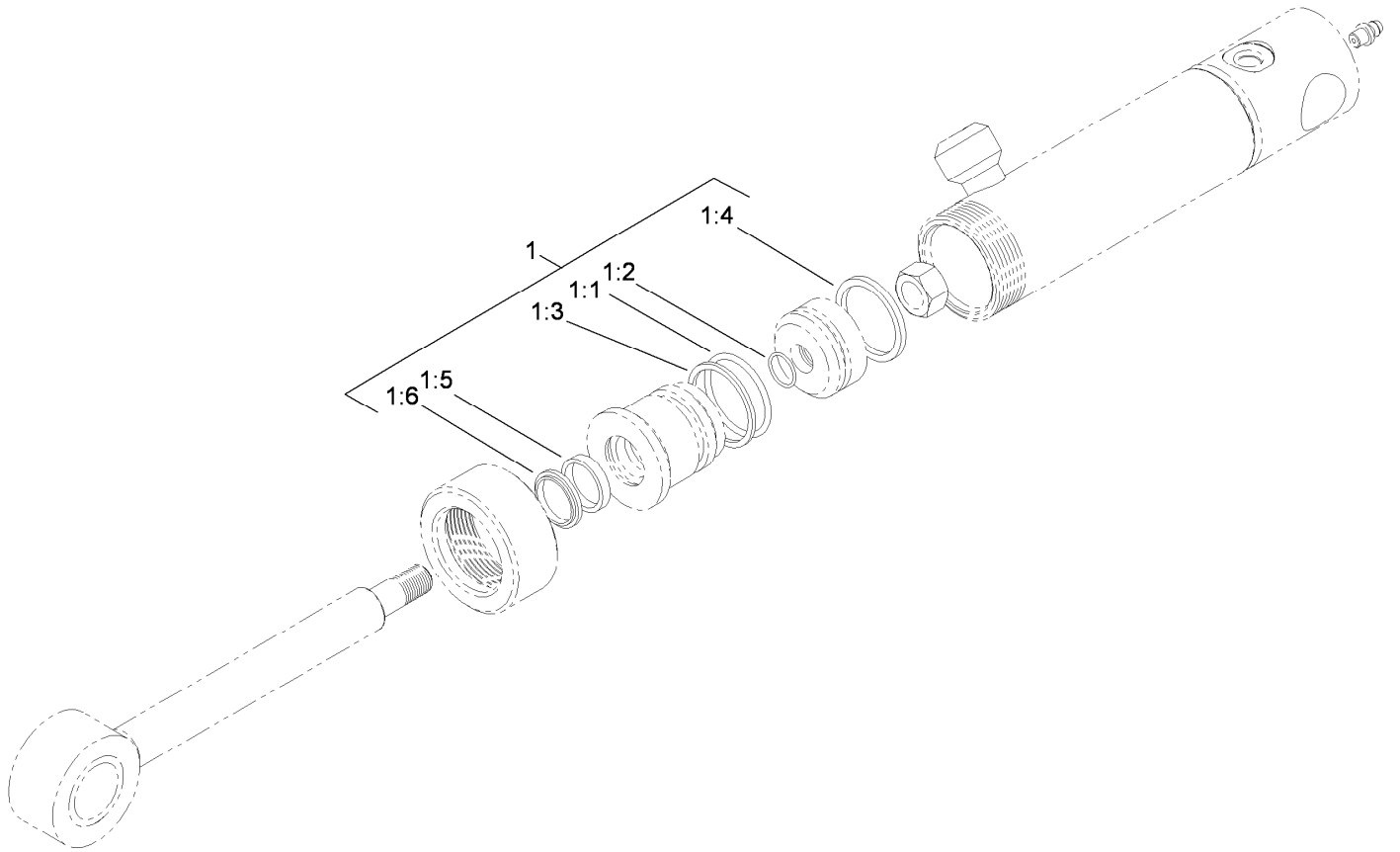
Ref.	Part Number	Qty.	Description	Ref.	Part Number	Qty.	Description
1	119-4594	1	Hose-HYD	7:2	237-42	1	O-Ring
2	95-1639	1	Fitting-HYD	8	340-99	1	Fitting-HYD, 90 DEG
2:1	237-78	1	O-Ring	8:1	237-30	1	O-Ring
2:2	237-21	1	O-Ring	8:2	237-42	1	O-Ring
3	340-92	1	Fitting-HYD, Straight	9	115-0356	1	Deck Lift Valve ASM
3:1	237-78	1	O-Ring	10	3253-3	2	Washer-Lock
3:2	237-21	1	O-Ring	11	321-11	2	Screw-HH
4	121-3374	1	Hose-HYD	12	110-9834	1	HYD Cylinder ASM
5	110-0064	1	Fitting-Tee	13	32128-37	1	Nut-HF
5:1	237-30	2	O-Ring	14	98-2654	1	Pin-Pivot
5:2	237-42	1	O-Ring	15	3234-15	1	Screw-HHF
6	107069	2	Clip	16	302-5	1	Fitting-Grease
7	340-1	1	Fitting-HYD, Straight	17	32151-36	1	Ring-Retaining
7:1	237-21	1	O-Ring				



## Deck Lift Valve Assembly No. 115-0356

Ref.	Part Number	Qty.	Description
1		1	Block-Manifold ●
2		1	Plug ●
3	353-512	1	Plug
3:1	237-78	1	O-Ring
4	107-7517	1	Valve-Solenoid
4:1	105-9156	1	Seal Kit
4:2	107-7812	1	Nut-Solenoid
5	110-8898	1	Valve-Solenoid
5:1	107-7527	1	Seal Kit
5:2	110-2634	1	Nut-Coil
5:3	110-8909	1	Spacer-Coil
6	119-8036	1	E-Coil-12 Vdc

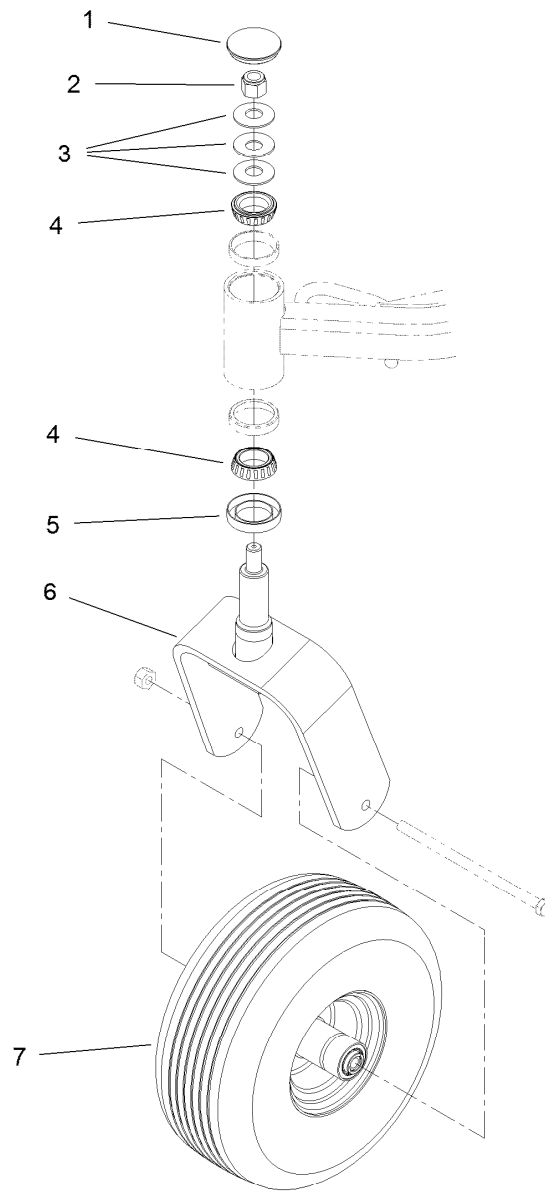
● Not serviced separately



## Hydraulic Cylinder Assembly No. 110-9834

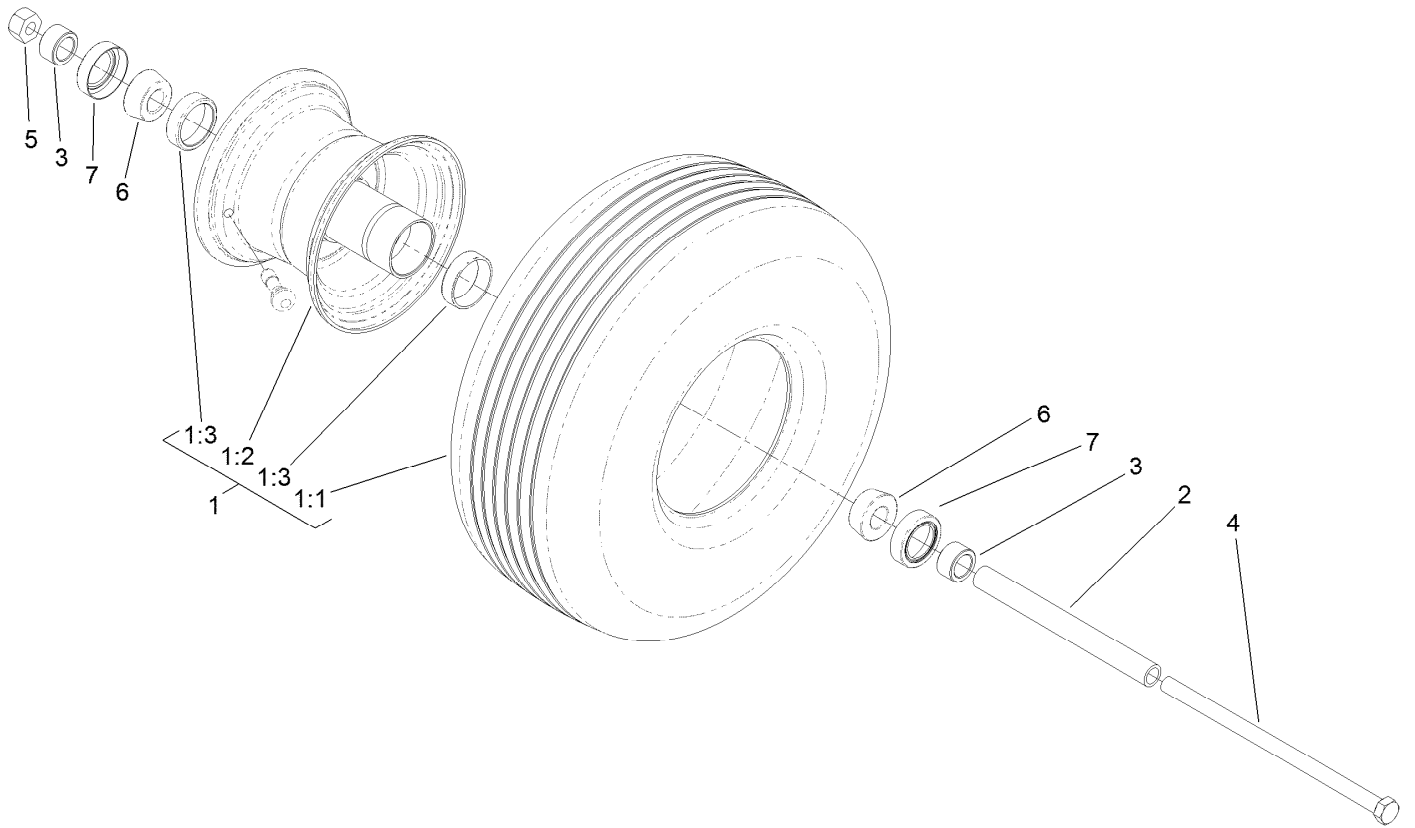
<i>Ref.</i>	<i>Part Number</i>	<i>Qty.</i>	<i>Description</i>
1	112-6353	1	Seal Kit
1:1		1	O-Ring ●
1:2		1	O-Ring ●
1:3		1	Backup ●
1:4		1	Seal-Bp ●
1:5		1	Seal-Rod ●
1:6		1	Seal-Dust ●

● Not serviced separately



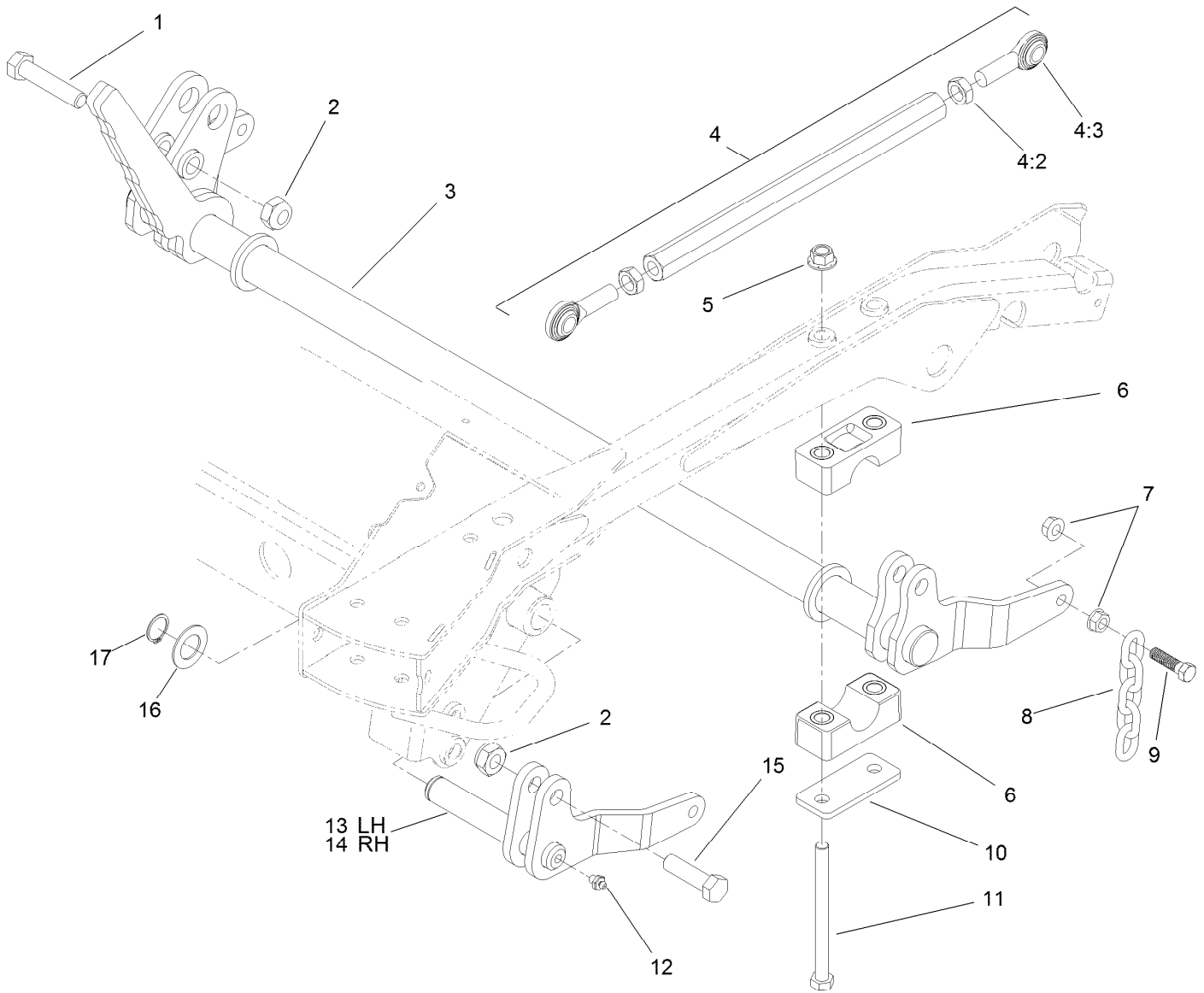
## Castor Wheel Assembly

<i>Ref.</i>	<i>Part Number</i>	<i>Qty.</i>	<i>Description</i>
1	108-9950	2	Cap-Grease
2	3296-51	2	Nut-Lock, NI
3	108-9957	6	Washer-Belleville
4	254-106	4	Cone-Bearing, Tapered
5	69-2980	2	Seal
6	108-9946-03	2	Fork-Caster
7	108-9954	2	Castor Wheel ASM



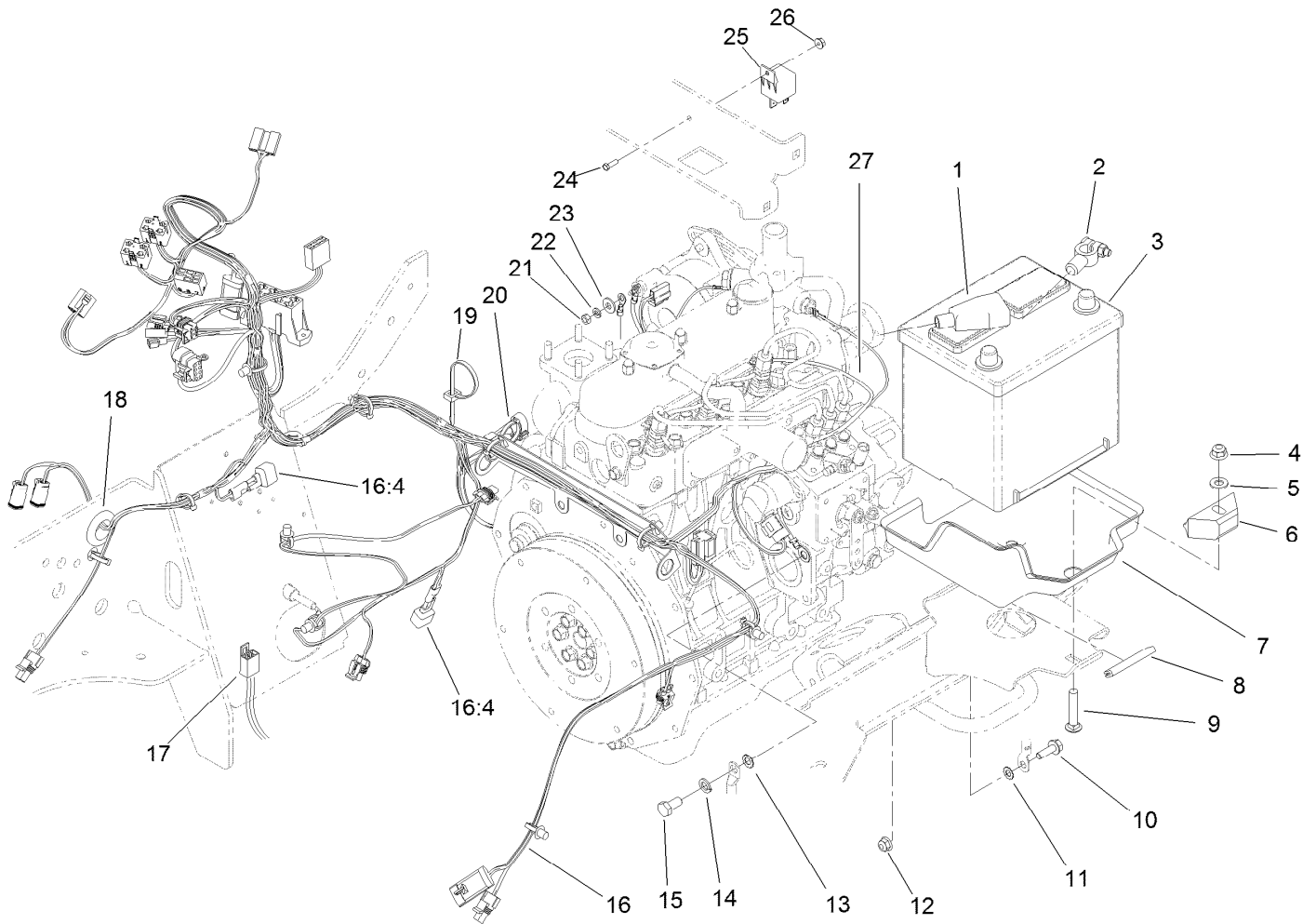
## Caster Wheel Assembly No. 108-9954

Ref.	Part Number	Qty.	Description
1	108-9956	1	Tire And Wheel ASM
1:1	108-9955	1	Tire
1:2	1-633987	1	Wheel
1:3	1-633584	2	Bearing-Cup
2	1-633959	1	Spacer-Caster, Front
3	1-633581	2	Spacer-Bearing
4	325-39	1	Screw-HH
5	3296-25	1	Nut-Lock, NI
6	1-633585	2	Bearing-Cone, Taper
7	1-633580	2	Seal-Bearing



## Deck Lift Assembly

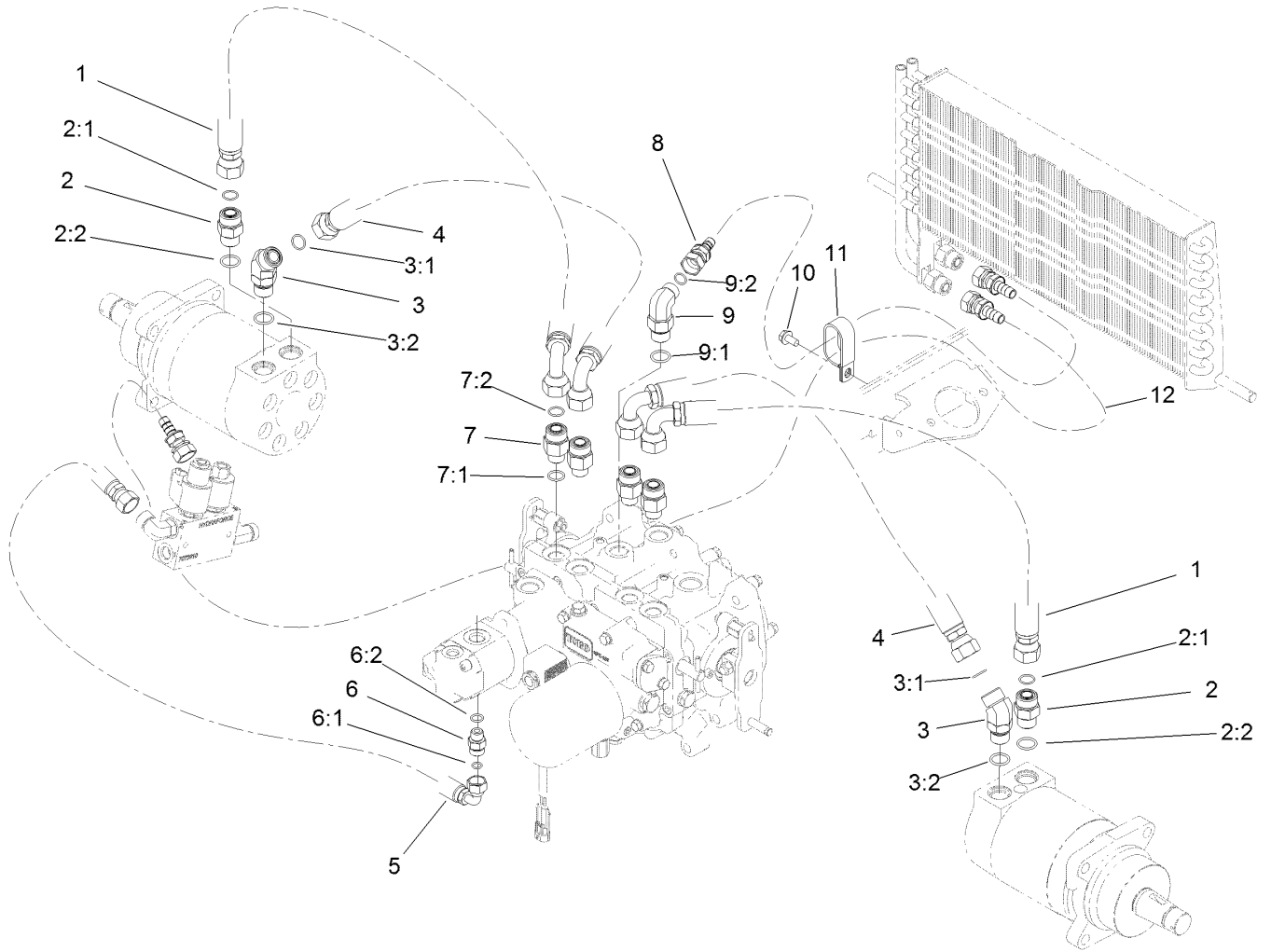
<i>Ref.</i>	<i>Part Number</i>	<i>Qty.</i>	<i>Description</i>	<i>Ref.</i>	<i>Part Number</i>	<i>Qty.</i>	<i>Description</i>
1	104-5895	1	Screw-HH	9	103-1898	4	Screw-HH
2	3296-61	4	Nut-Lock	10	117-2903	2	Plate-Bearing
3	117-9220-03	1	Shaft-Lift	11	325-20	4	Screw-HH
4	114-4059	2	Link ASM	12	302-2	2	Fitting-Grease
4:2	3220-6	2	Nut-Jam	13	110-9818-03	1	Lift-LH
4:3	1-633029	2	Balljoint-Spherical	14	110-9820-03	1	Lift-RH
5	99-5107	4	Nut-Lock	15	327-22	3	Screw-HH
6	115-0491	4	Cap-Bearing	16	69-9010	2	Washer
7	32128-37	8	Nut-HF	17	32151-29	2	Ring-Retaining
8	1-633447	4	Chain-Lift, Deck				



## Electrical Assembly

Ref.	Part Number	Qty.	Description	Ref.	Part Number	Qty.	Description
1	119-1796	1	Cable-Battery, Positive	16:1	94-6710	1	Fuse-2 Amp ●
2	105-0040	1	Cable-Battery, Negative	16:2	218-578	2	Fuse-Blade, 10 Amp ●
3	106-5187	1	Battery	16:3	109355	1	Fuse-Blade, 15 Amp ●
4	104-8301	1	Nut-Flange, NI	16:4	100-4918	2	Diode-Over Molded
5	3256-24	1	Washer-Flat	17	108-8657	1	Harness-Wire, Seat
6	66-2490	1	Retainer-Battery	18	237-165	1	Grommet
7	108-9928	1	Tray-Battery	19	3290-378	5	Tie-Cable
8	110-8276	1	Trim-Hold Down, Battery	20	32180-030	2	Clip-Tie
9	3231-6	1	Screw-CARR	21	33013-00	1	Nut-Hex
10	3234-17	1	Screw-HHF	22	43-5930	1	Washer-Lock, Spring
11	3255-8	1	Washer-Lock	23	3256-2	1	Washer-Flat
12	104-8300	1	Nut-Flange, NI	24	3290-134	2	Screw
13	3255-9	1	Washer-Lock	25	99-7435	1	Relay-Power
14	48-9590	1	Washer-Lock	26	3290-148	2	Nut-HF
15	63-7790	1	Screw-Cap	27	99-3441	1	Harness-Wire, Fusible Link
16	119-4380	1	Harness-Wire, Main				

● Not illustrated

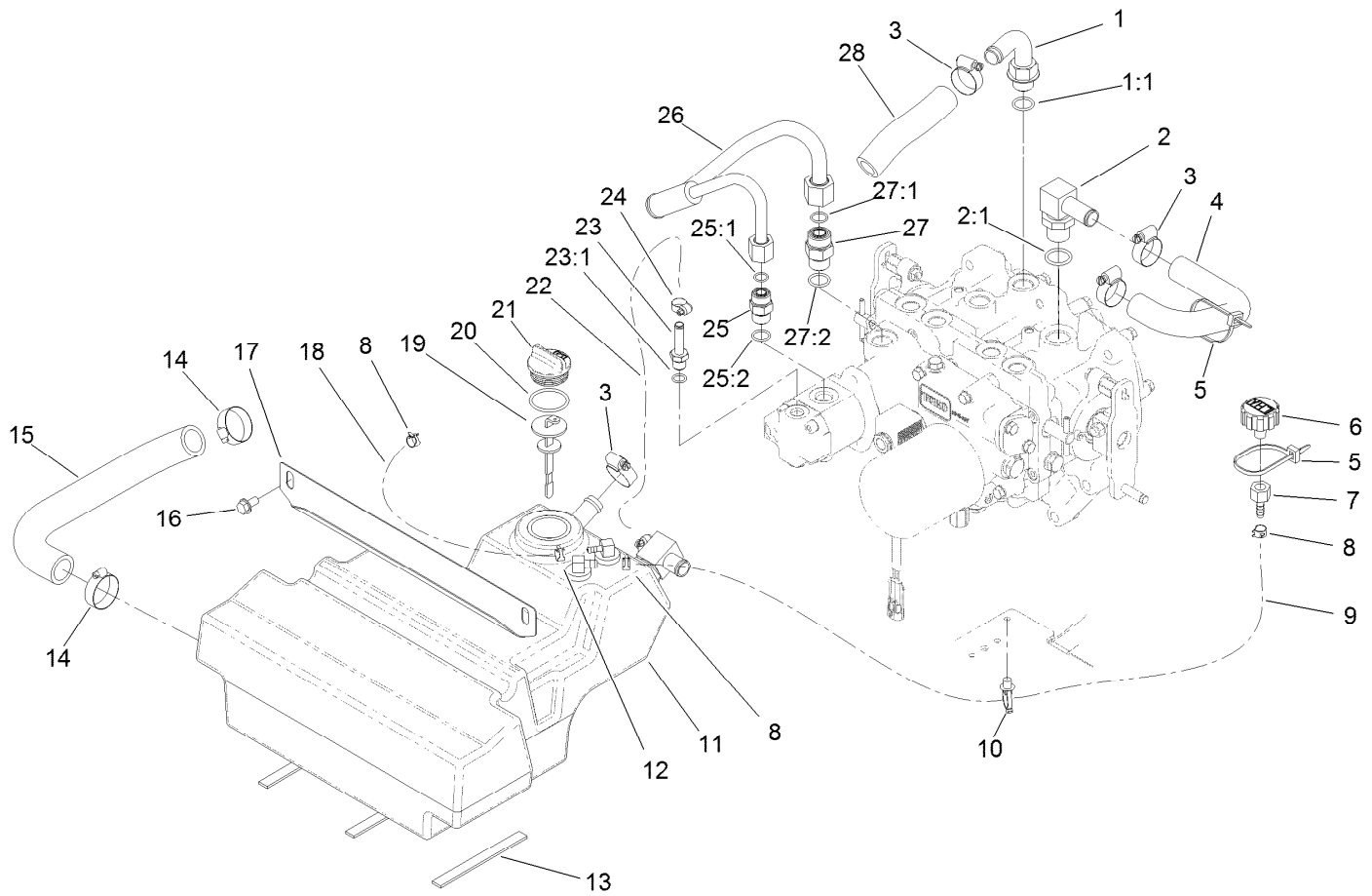


## Transmission and Oil Cooler Hydraulic Assembly

Ref.	Part Number	Qty.	Description
1	112-1683	2	Hose
2	340-7	2	Adapter
2:1	237-65	1	O-Ring
2:2	237-80	1	O-Ring
3	340-14	2	Fitting-HYD, 45 DEG
3:1	237-65	1	O-Ring
3:2	237-80	1	O-Ring
4	110-5518	2	Hose
5	94-5961	1	Hose
6	340-2	1	Fitting-HYD, Straight
6:1	237-22	1	O-Ring

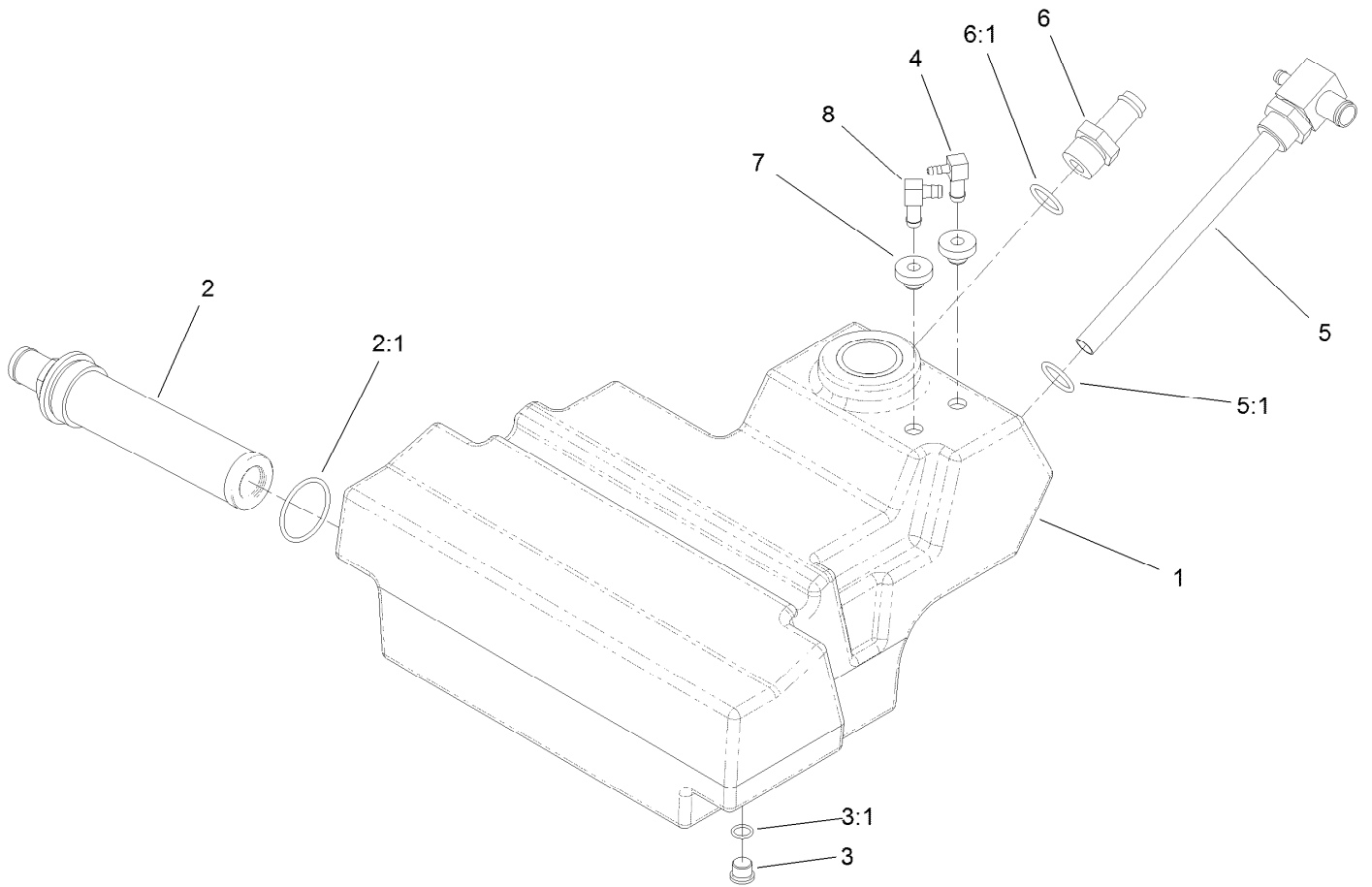
Ref.	Part Number	Qty.	Description
6:2	237-42	1	O-Ring
7	340-155	4	Fitting-HYD, Straight
7:1	237-79	1	O-Ring
7:2	237-151	1	O-Ring
8	110-5542	1	Hose-HYD
9	340-105	1	Fitting-HYD, 90 DEG
9:1	237-80	1	O-Ring
9:2	237-30	1	O-Ring
10	32144-14	1	Screw-HWHTF
11	2412-137	1	Clamp-R, Double
12	110-5543	1	Hose-HYD





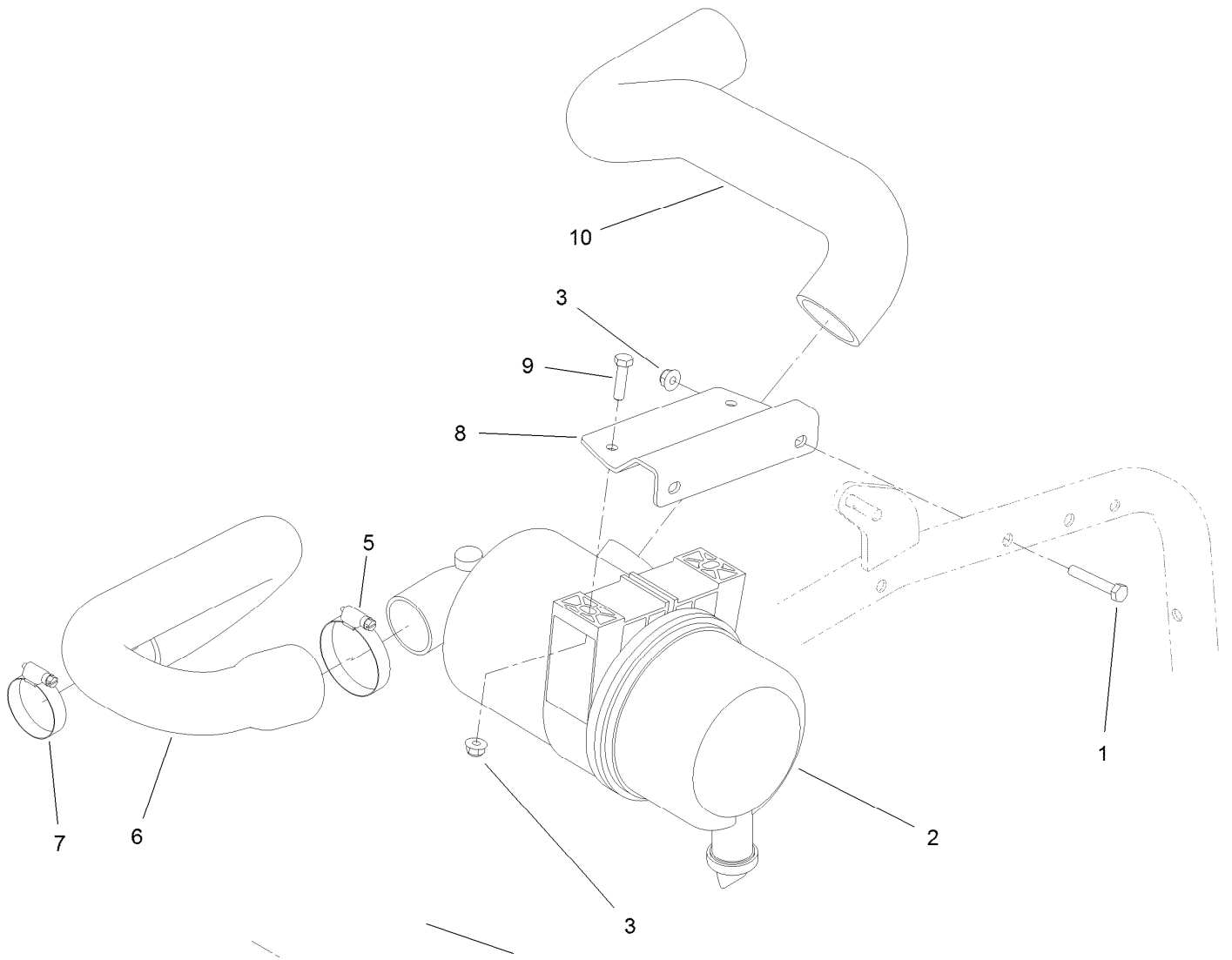
## Hydraulic Reservoir Assembly

<i>Ref.</i>	<i>Part Number</i>	<i>Qty.</i>	<i>Description</i>	<i>Ref.</i>	<i>Part Number</i>	<i>Qty.</i>	<i>Description</i>
1	110-5522	1	Fitting-Elbow, 90	16	32144-14	2	Screw-HWHTF
1:1	237-80	1	O-Ring	17	110-5529-03	1	Support-Reservoir
2	353-987	1	Fitting-HYD, 90 DEG (Barbed)	18	109-0299	1	Hose-Fuel
2:1	237-81	1	O-Ring	19	112-6365	1	Dipstick ASM
3	2412-129	4	Clamp-Hose	20	94-8166	1	O-Ring
4	110-5524	1	Hose-Return	21	93-7498	1	Plug-Plastic
5	3290-379	2	Tie-Cable	22	94-5625	1	Hose-Overflow, Radiator
6	68-6150	1	Breather	23	353-979	1	Fitting-Straight
7	354-95	1	Fitting-Straight	23:1	237-42	1	O-Ring
8	92-2379	3	Clamp-Hose	24	2412-108	2	Clamp-Worm
9	110-9662	1	Hose-Fuel	25	340-4	1	Fitting-HYD, Straight
10	32180-030	1	Clip-Tie	25:1	237-30	1	O-Ring
11	110-8237	1	Reservoir-HYD	25:2	237-79	1	O-Ring
12	2412-98	1	Clamp-Hose	26	110-5532	1	Tube
13	120-0017	3	Strip-Foam	27	340-7	1	Adapter
14	2412-34	2	Clamp-Hose	27:1	237-65	1	O-Ring
15	110-5526	1	Hose-Suction	27:2	237-80	1	O-Ring
				28	112-1680	1	Hose-HYD



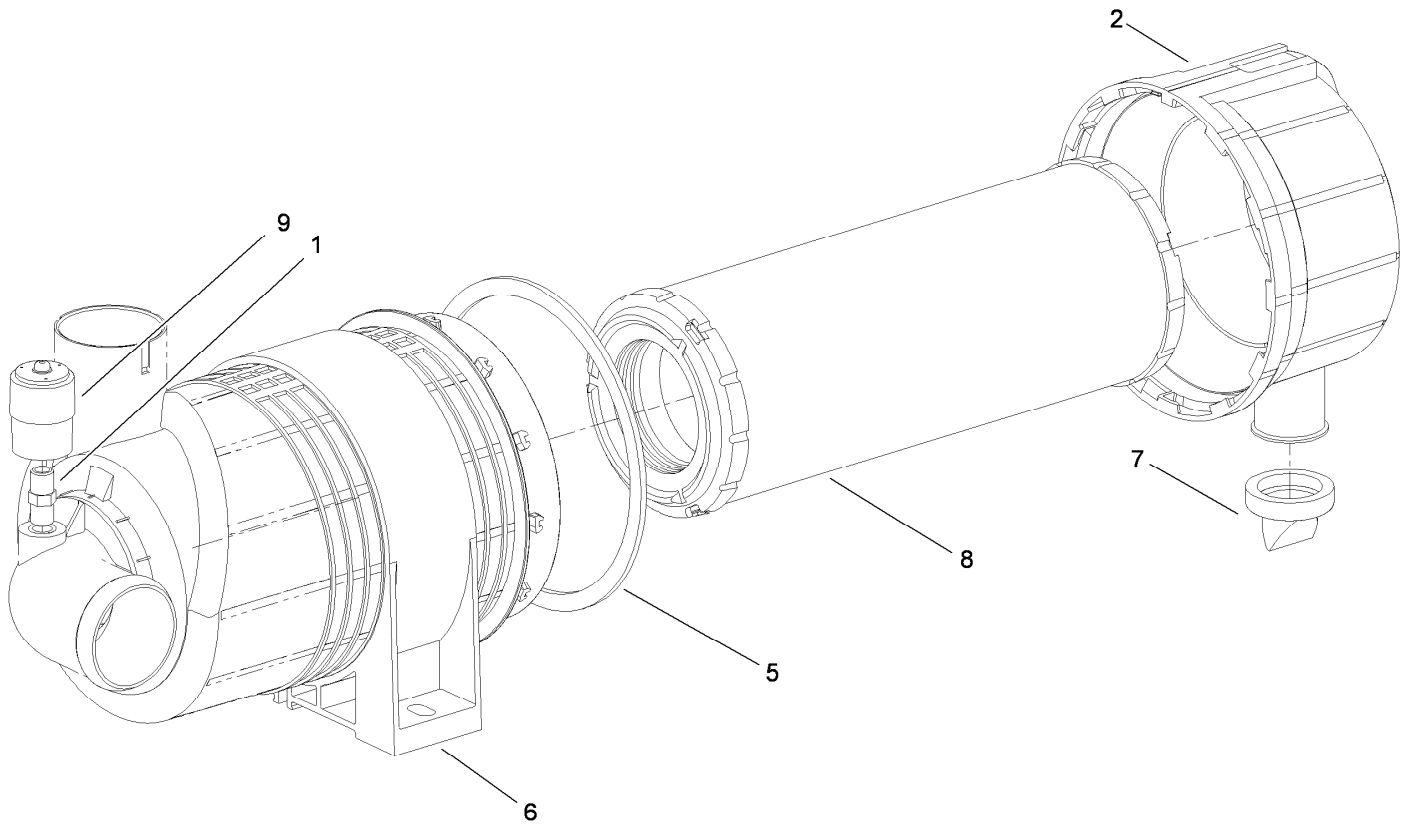
## Hydraulic Reservoir Assembly No. 110-8237

<i>Ref.</i>	<i>Part Number</i>	<i>Qty.</i>	<i>Description</i>
1	108-5200	1	Reservoir-HYD
2	104-7546	1	Tank Strainer ASM
2:1	340-136	1	O-Ring
3	353-989	1	Plug-Hex, Hollow
3:1	237-42	1	O-Ring
4	104-5228	1	Fitting-Elbow, 90 DEG
5	108-9894	1	Fitting-Elbow, Special
5:1	237-81	1	O-Ring
6	354-73	1	Fitting-Straight
6:1	237-81	1	O-Ring
7	46-6560	2	Bushing
8	46-6550	1	Fitting-Elbow, 90 DEG



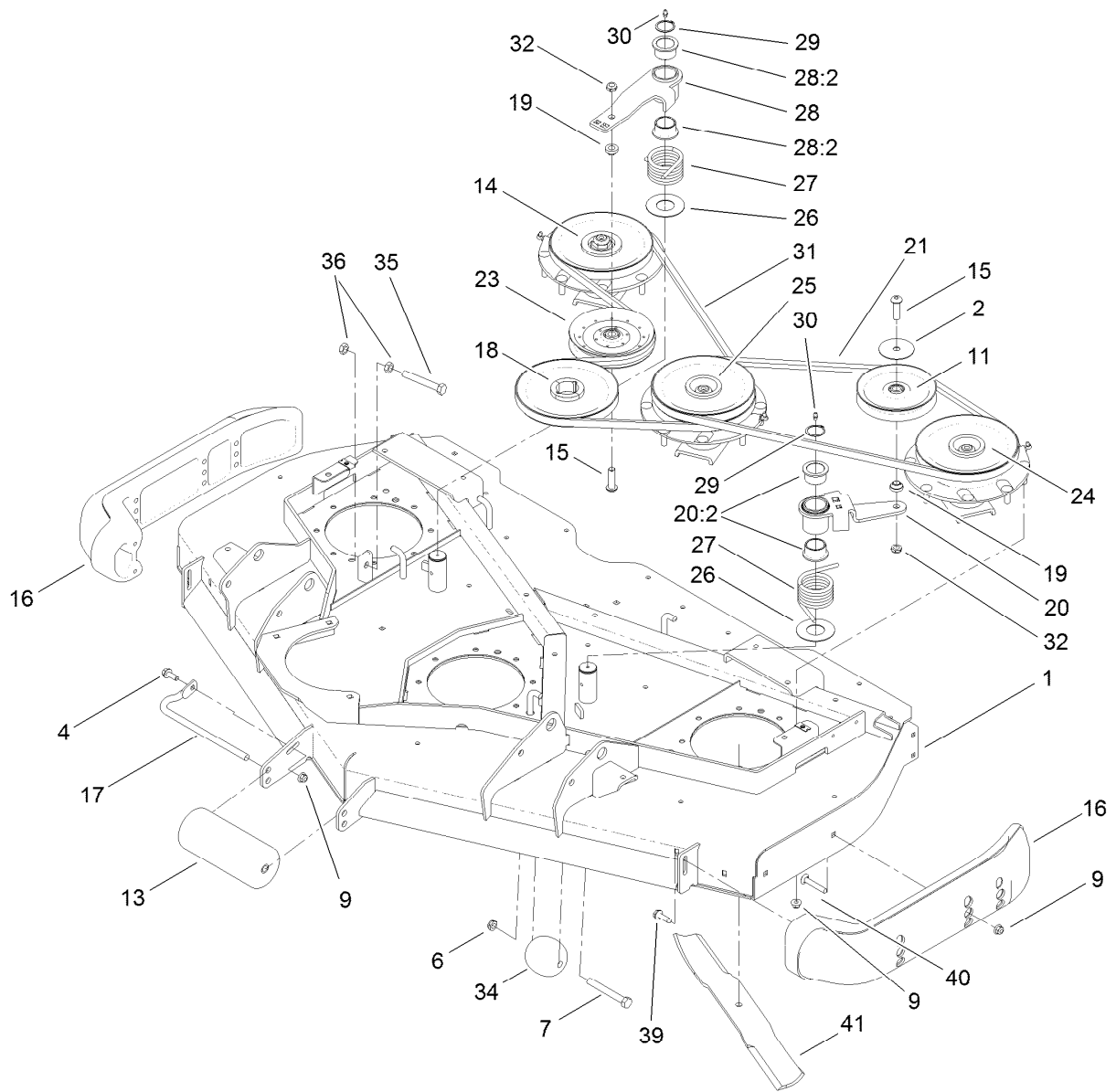
## Air Cleaner and Hose Assembly

<i>Ref.</i>	<i>Part Number</i>	<i>Qty.</i>	<i>Description</i>
1	322-10	2	Screw-HH
2	104-3428	1	Air Cleaner ASM
3	104-8300	4	Nut-Flange, NI
5	2412-130	1	Clamp-Hose
6	112-9582	1	Hose-Air Inlet, Turbo
7	2412-3	1	Clamp-Hose
8	108-9843-03	1	Support-Cleaner, Air
9	322-6	2	Screw-HH
10	105-7281	1	Hose-Air Inlet, Upper



## Air Cleaner Assembly No. 104-3428

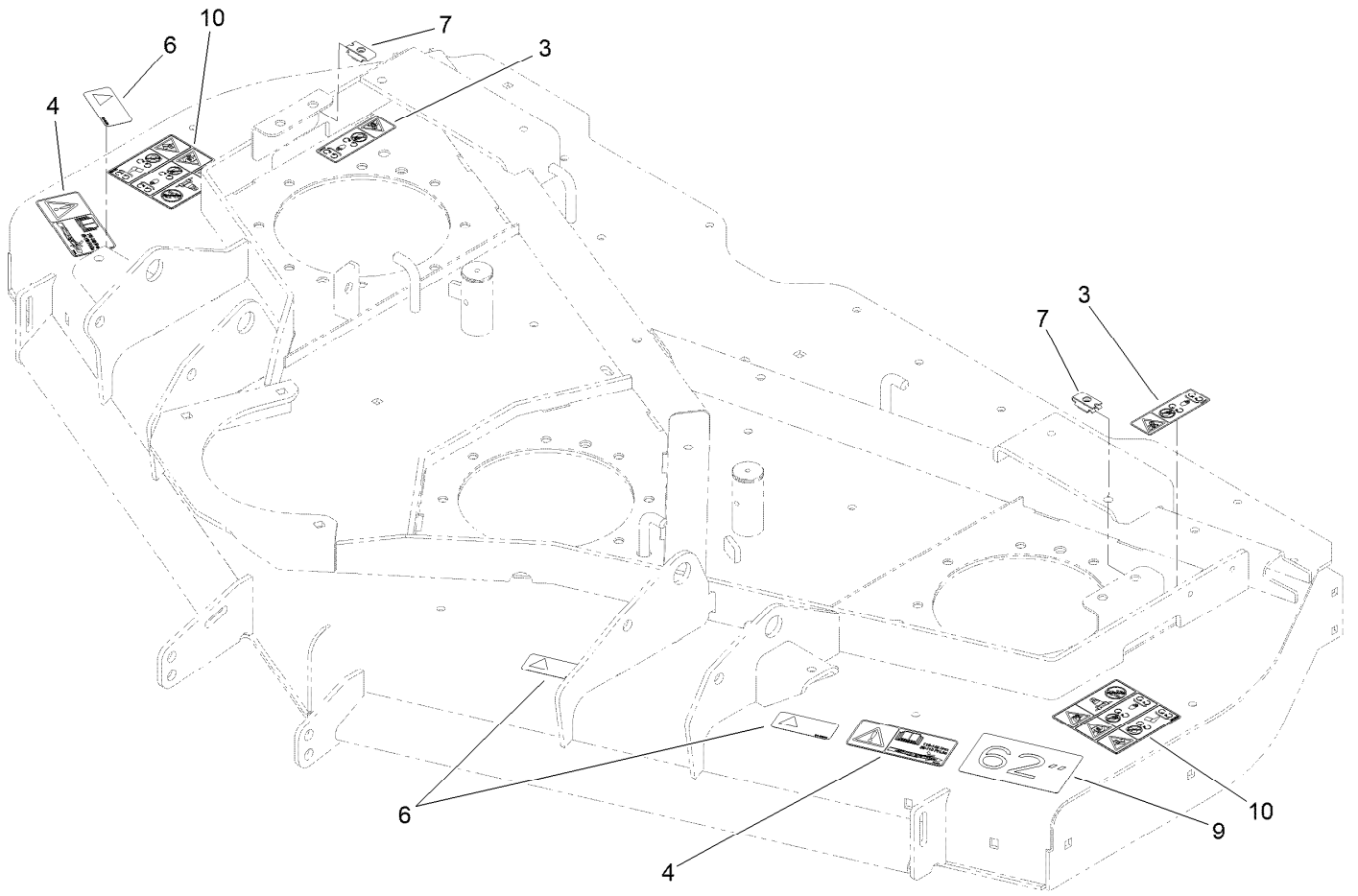
<i>Ref.</i>	<i>Part Number</i>	<i>Qty.</i>	<i>Description</i>
1	105-4292	1	Nipple-Pipe
2	104-0497	1	Cover
5	104-4897	1	Gasket
6	98-4525	1	Bracket-Cleaner, Air
7	104-0498	1	Valve-Vacuator
8	108-3810	1	Filter-Air
9	93-9164	1	Indicator-Mini



## Roller, Belt and Pulley Assembly

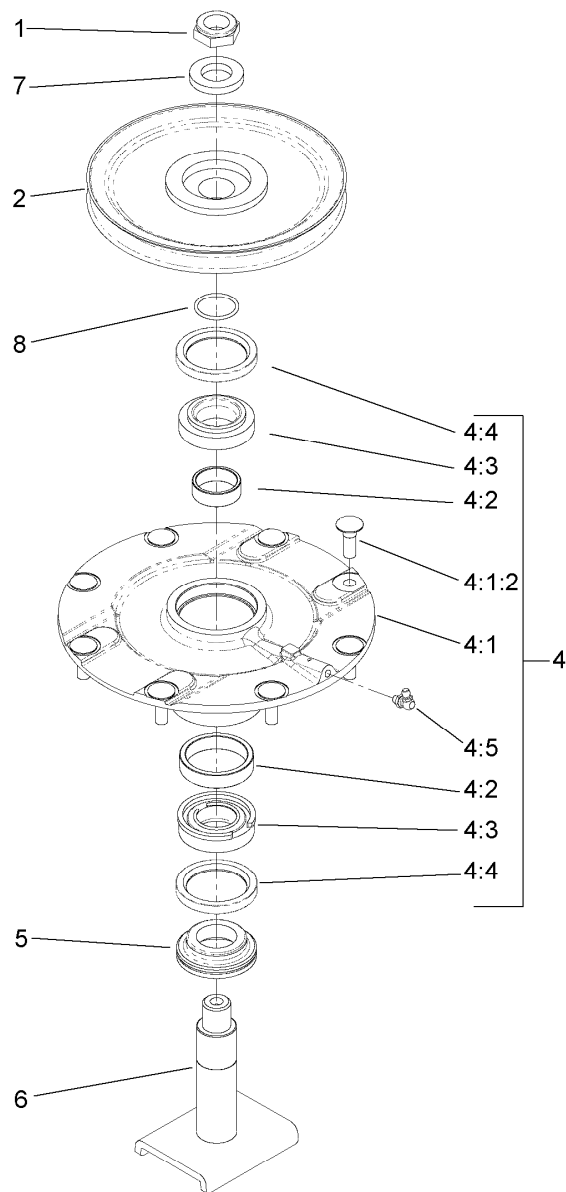
Ref.	Part Number	Qty.	Description	Ref.	Part Number	Qty.	Description
1	108-9907	1	Deck ASM	24	119-4549	1	High-Driven Spindle ASM
2	100-3102	1	Washer-Flat	25	119-4548	1	Double Driven Spindle ASM
4	3234-42	1	Screw-HHF	26	108-1926	2	Washer
6	3296-45	2	Nut-Lock, NI	27	108-1921	2	Spring-Torsion
7	325-17	2	Screw-HH	28	108-1930	1	Idler Arm ASM
9	104-8301	29	Nut-Flange, NI	28:2	93-4510	2	Bushing-Caster
11	01-268-0160	1	Pulley-Idler	29	32120-84	2	Ring-Snap, External
13	68-6710	1	Roller	30	302-5	2	Fitting-Grease
14	119-4776	1	Low-Driven Spindle ASM	31	110-9594	1	Belt-V
15	108-1993	2	Screw-HSBH	32	3296-45	2	Nut-Lock, NI
16	112-1479	2	Skid-Bumper, Deck	34	29-4820	2	Roller
17	68-6840	1	Shaft-Roller	35	325-14	1	Screw-HH
18	107-4767	1	Pulley	36	3218-5	2	Nut-Jam
19	108-1924	2	Spacer-Idler	39	9136144	2	Screw-HWHTF
20	117-9176	1	Idler Arm ASM	40	3231-33	4	Screw-CARR
20:2	93-4510	2	Bushing-Caster	41	107-0214-03	3	Blade-Atomic, 21.75 In ●
21	110-9595	1	Belt-V	41	110-6115-03	3	Blade-Flat Sail, 21.75 In ●
23	110-9596	1	Pulley-Idler	41	92-5608-03	3	Blade

● Not illustrated



## Deck Decal Assembly No. 108-9907

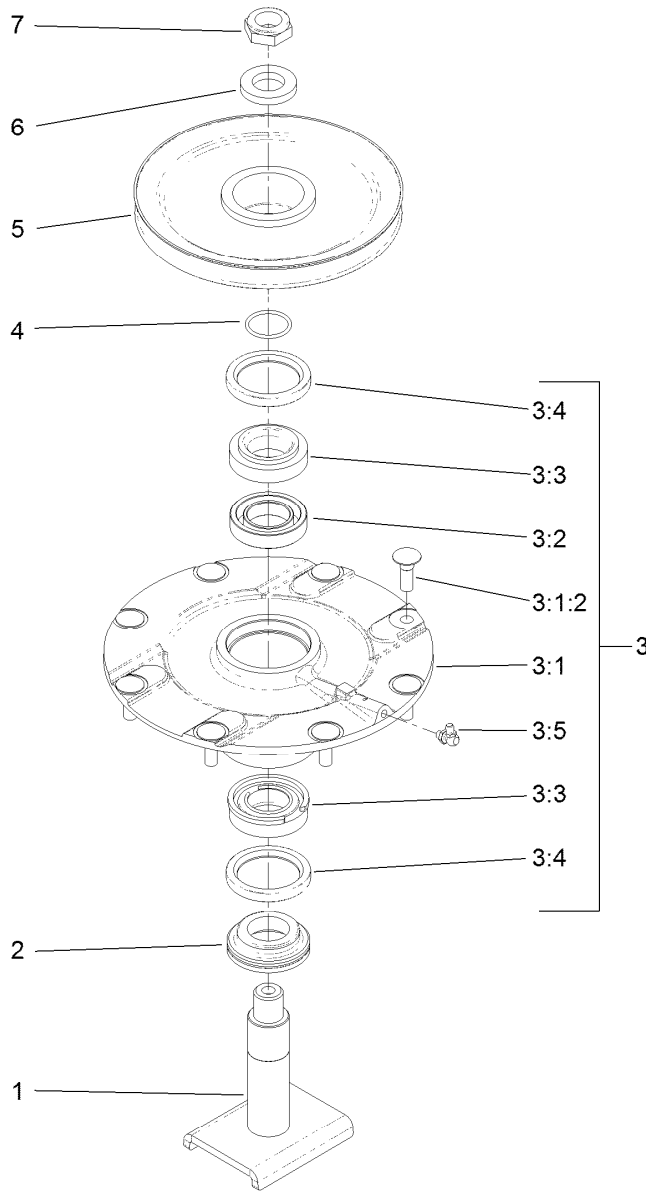
<i>Ref.</i>	<i>Part Number</i>	<i>Qty.</i>	<i>Description</i>
3	117-4979	2	Decal-Warning, Shields
4	93-7818	2	Decal-Torque, Blade Bolt
6	93-6696	3	Decal-Warning
7	110-3510	4	Nut-Retainer
9	66-1630	1	Decal
10	120-6604	2	Decal-Danger



## Low Driven Spindle Assembly No. 119-4776

Ref.	Part Number	Qty.	Description
1	3296-60	1	Nut-Lock, NI
2	104-3546	1	Pulley-Driven, Low
4	119-4775	1	Spindle Housing ASM
4:1		1	Spindle Assembly ●
4:1:2	114-8195	8	Bolt-Ribbed Neck
4:2	104-3549	1	Bearing Spacer Set
4:3	110-8297	1	Bearing ASM
4:4	253-154	2	Seal-Oil
4:5	302-60	1	Fitting-Grease
5	69-6950	1	Spacer-Shaft, Spindle
6	104-3554	1	Shaft-Spindle
7	104-8322	1	Washer-Hardened
8	106-7159	1	O-Ring

● Not serviced separately

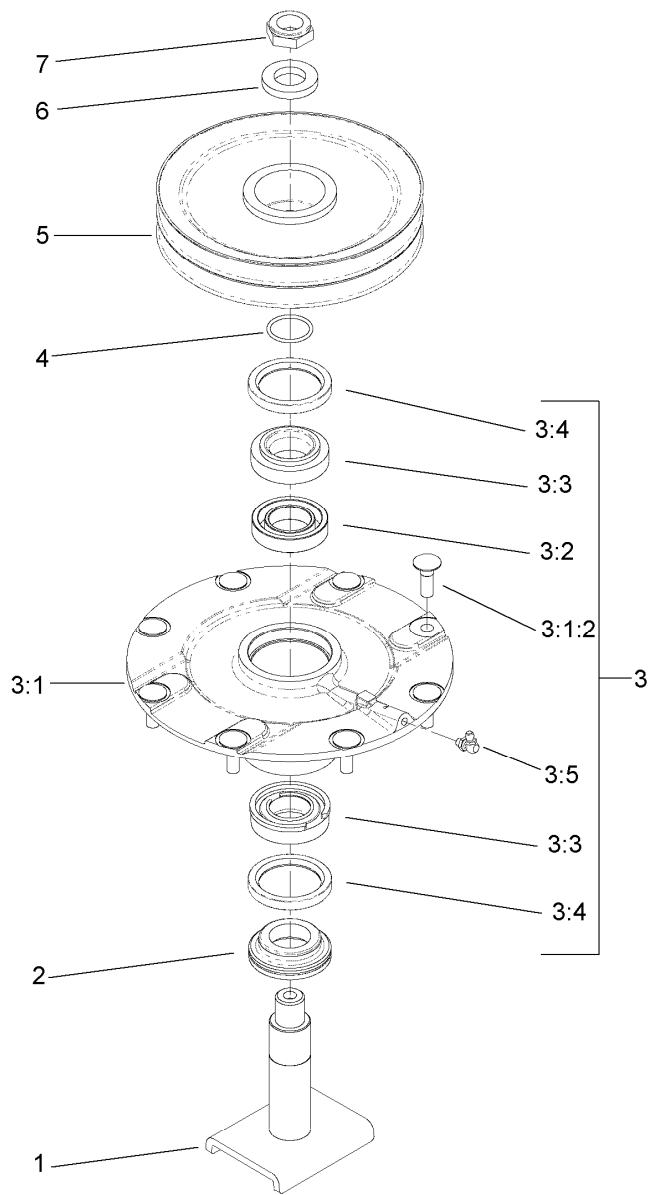


## High Driven Spindle Assembly No. 119-4549

Ref.	Part Number	Qty.	Description
1	104-3554	1	Shaft-Spindle
2	69-6950	1	Spacer-Shaft, Spindle
3	119-4775	1	Spindle Housing ASM
3:1		1	Spindle Assembly ●
3:1:2	114-8195	8	Bolt-Ribbed Neck
3:2	104-3549	1	Bearing Spacer Set
3:3	110-8297	1	Bearing ASM
3:4	253-154	2	Seal-Oil
3:5	302-60	1	Fitting-Grease
4	106-7159	1	O-Ring
5	104-3548	1	Pulley-Driven, High
6	104-8322	1	Washer-Hardened
7	3296-60	1	Nut-Lock, NI

● Not serviced separately

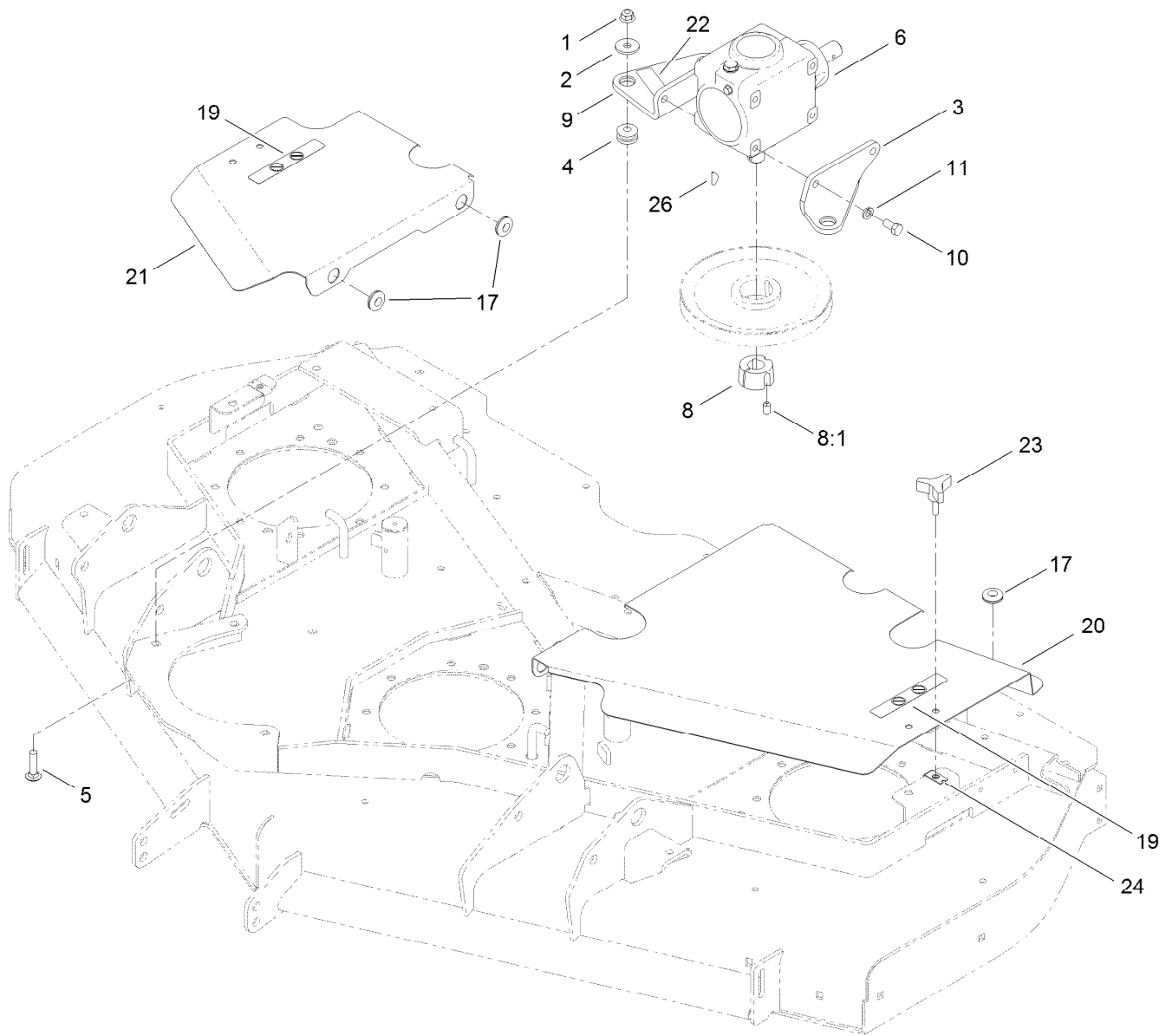




## Double Driven Spindle Assembly No. 119-4548

<i>Ref.</i>	<i>Part Number</i>	<i>Qty.</i>	<i>Description</i>
1	104-3554	1	Shaft-Spindle
2	69-6950	1	Spacer-Shaft, Spindle
3	119-4775	1	Spindle Housing ASM
3:1		1	Spindle Assembly ●
3:1:2	114-8195	8	Bolt-Ribbed Neck
3:2	104-3549	1	Bearing Spacer Set
3:3	110-8297	1	Bearing ASM
3:4	253-154	2	Seal-Oil
3:5	302-60	1	Fitting-Grease
4	106-7159	1	O-Ring
5	104-3547	1	Pulley-Driven, Double
6	104-8322	1	Washer-Hardened
7	3296-60	1	Nut-Lock, NI

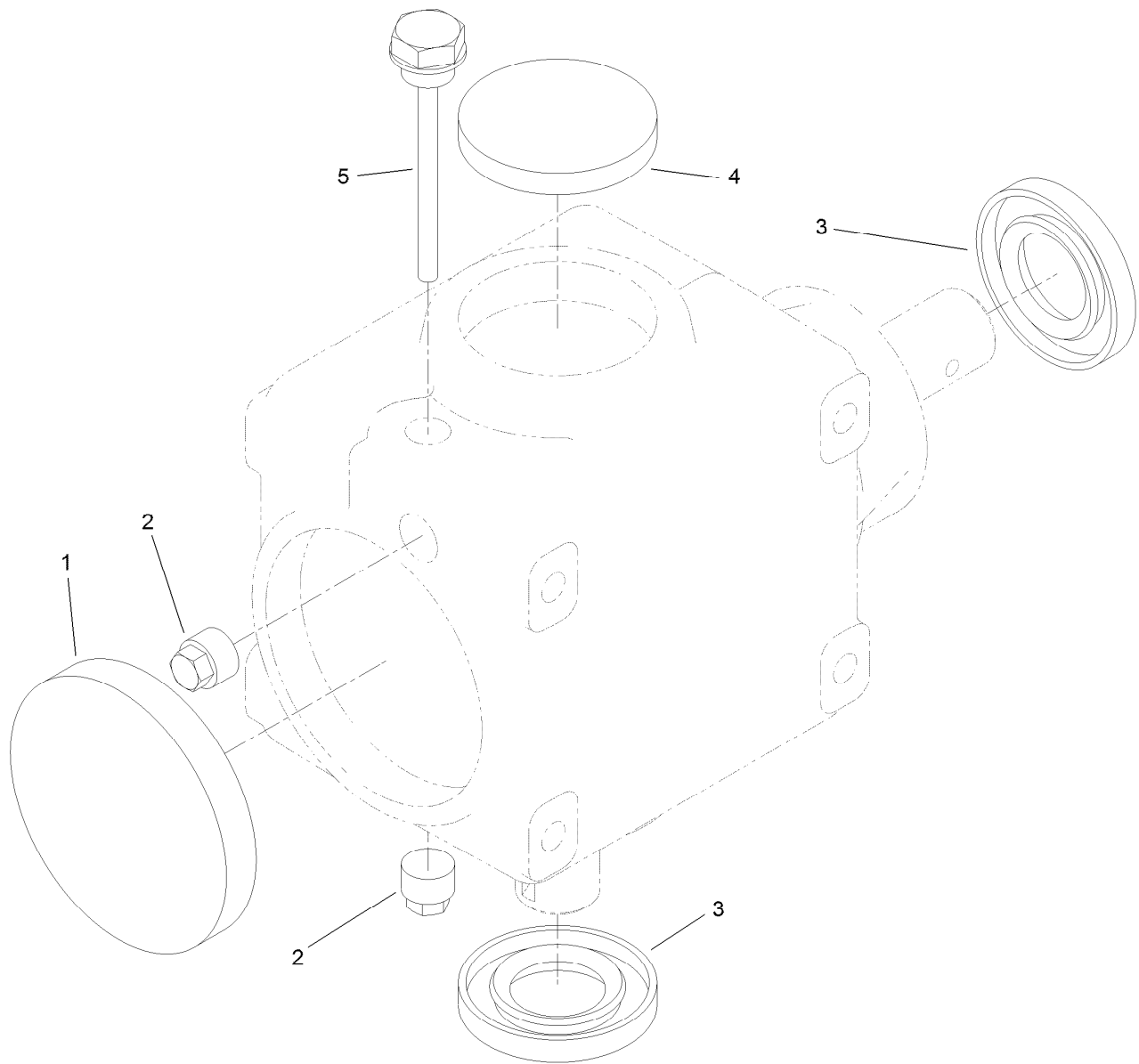
● Not serviced separately



## Deck Cover and Gearbox Assembly

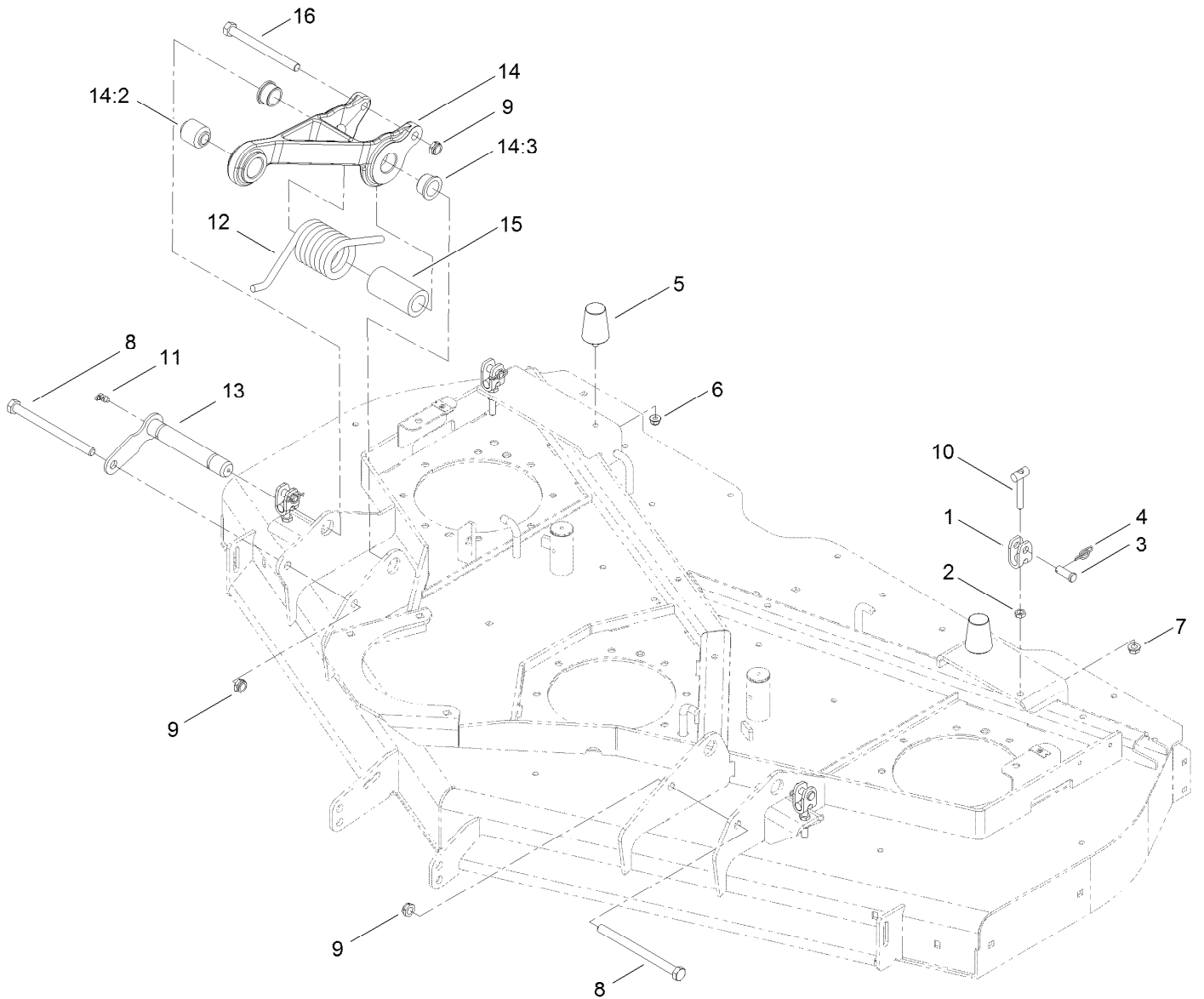
Ref.	Part Number	Qty.	Description
1	104-8301	3	Nut-Flange, NI
2	63-8410	3	Washer
3	110-6384-03	1	Bracket-Gearbox, LH
4	63-9750	3	Mount
5	3231-26	3	Screw-CARR
6	117-9245-03	1	Gearbox ASM
8	23-1640	1	Bushing-Taperlock
8:1	3247-4	2	Screw-Set
9	110-6385-03	1	Bracket-Gearbox, RH
10	323-4	4	Screw-HH

Ref.	Part Number	Qty.	Description
11	3253-21	4	Washer-Lock
17	112-9559	5	Grommet
19	93-6687	2	Decal-No Step
20	112-1458-03	1	Cover-Deck, LH
21	112-1459-03	1	Cover-Deck, RH
22	93-6697	1	Decal-Lube
23	106-2240	2	Knob
24	110-3510	2	Nut-Retainer
26	3257-5	1	Key-Woodruff



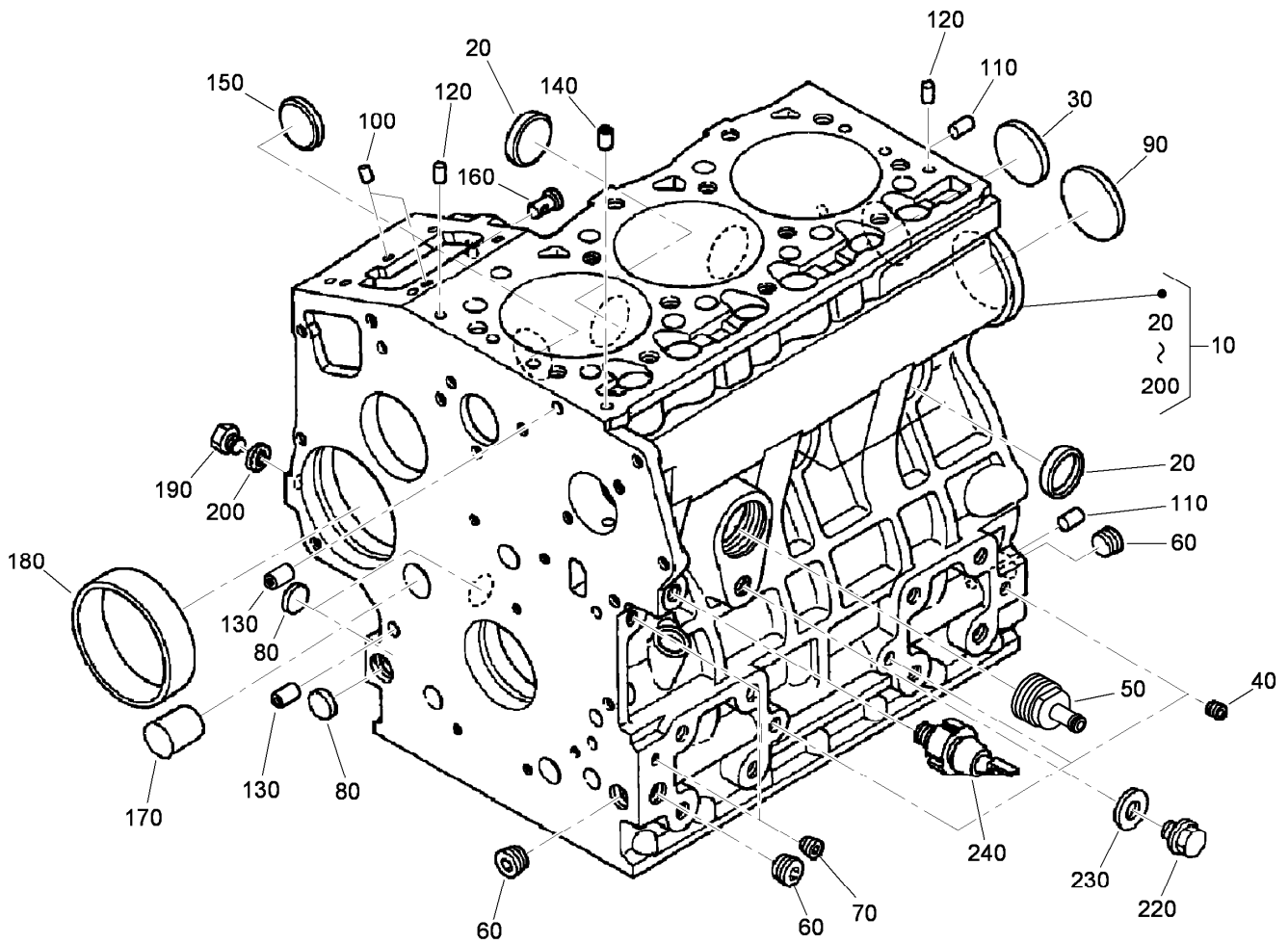
## Gearbox Assembly No. 117-9245-03

<i>Ref.</i>	<i>Part Number</i>	<i>Qty.</i>	<i>Description</i>
1	107-2932	1	Cap-Oil
2	107-2933	2	Plug
3	117-9247	2	Seal
4	107-2935	1	Cap-Oil
5	110-8283	1	Plug-Filler, Dipstick



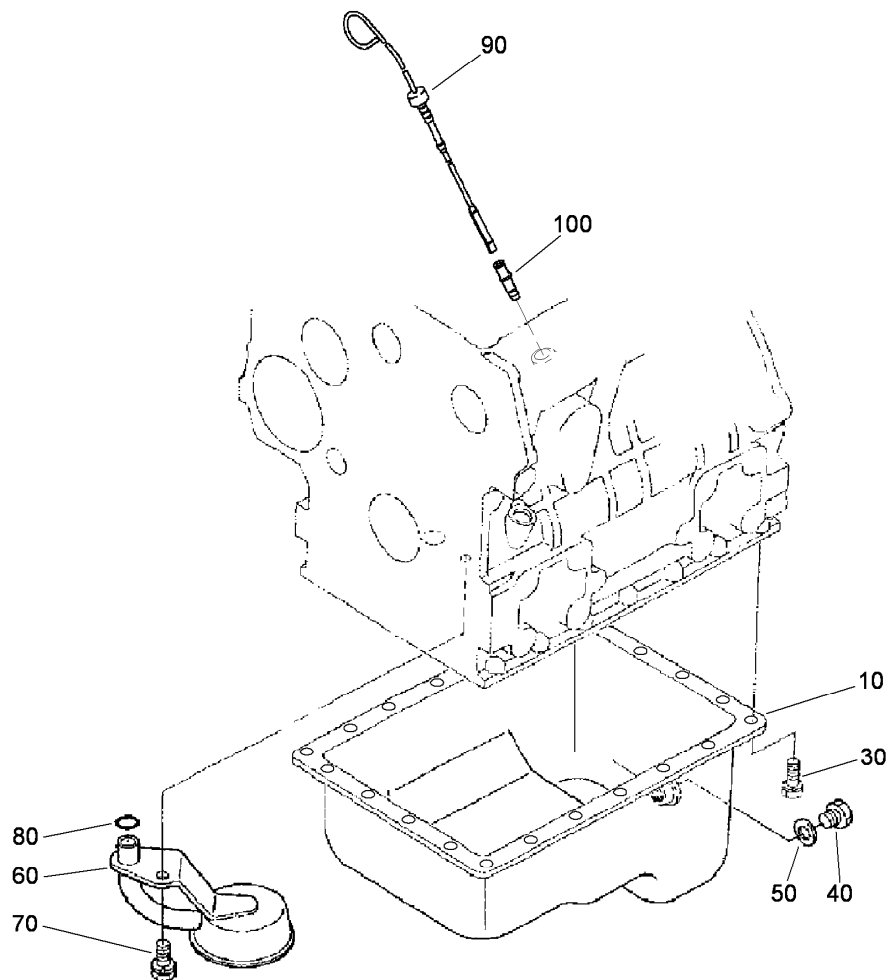
## Deck Adjustment Link and Bumper Assembly

<i>Ref.</i>	<i>Part Number</i>	<i>Qty.</i>	<i>Description</i>	<i>Ref.</i>	<i>Part Number</i>	<i>Qty.</i>	<i>Description</i>
1	115-1429	4	Yoke-Clevis	10	115-1431	4	T-Bar ASM
2	3218-3	4	Nut-Jam	11	302-60	4	Fitting-Grease
3	700601	4	Pin-Clevis	12	112-9520	2	Spring-Torsion
4	112-1491	4	Pin-Cotter	13	112-1622	2	Pin
5	110-5070	2	Bumper	14	112-1625	2	Pull Link ASM
6	104-8300	2	Nut-Flange, NI	14:2	107-2328	1	Bushing
7	3290-357	4	Nut-HHF, Whiz	14:3	114-5680	2	Bushing-Flange
8	325-33	2	Screw-HH	15	110-9845	2	Spacer-Plain
9	3296-45	4	Nut-Lock, NI	16	325-22	2	Screw-HH



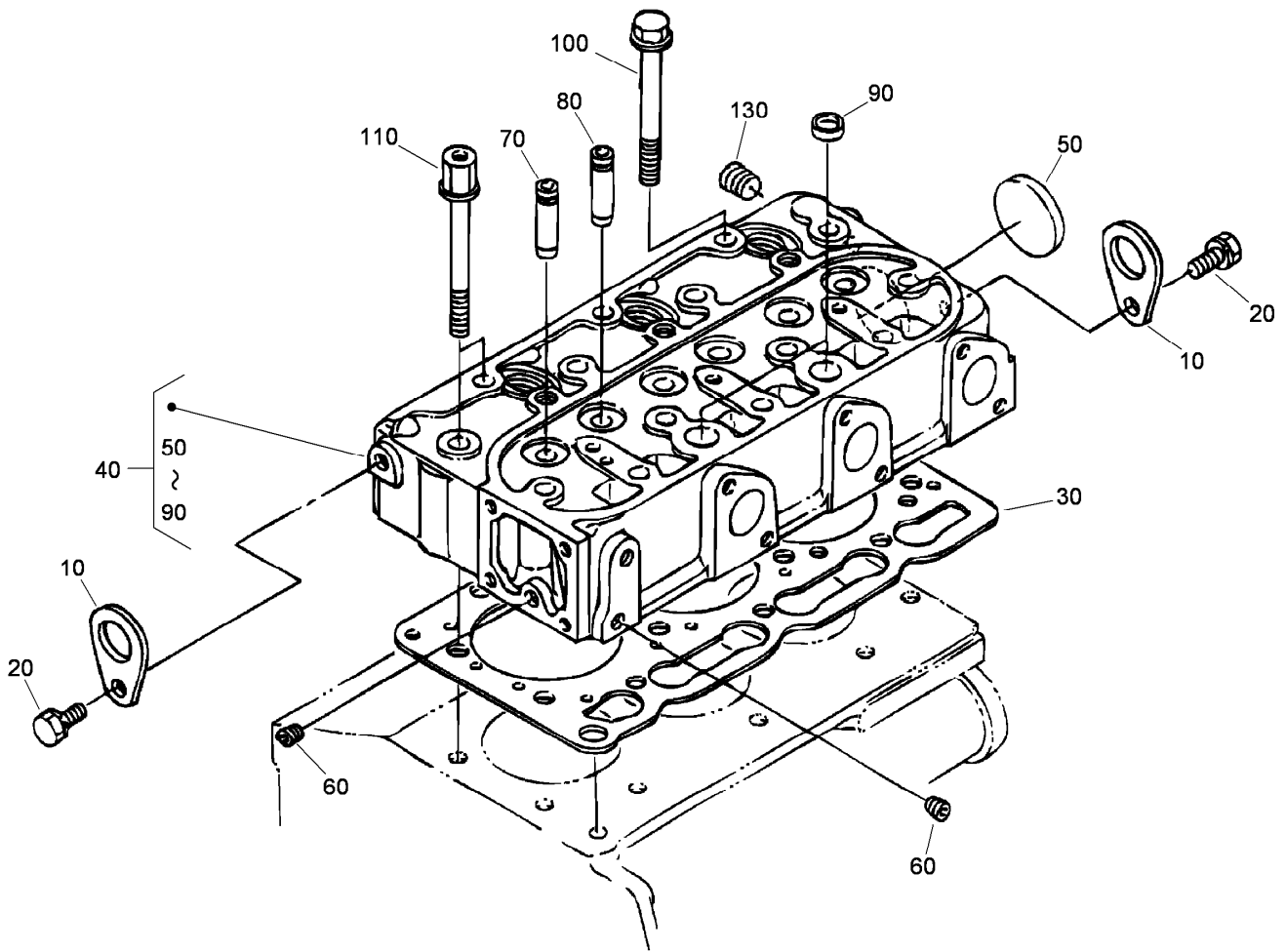
## Crankcase Assembly

<i>Ref.</i>	<i>Part Number</i>	<i>Qty.</i>	<i>Description</i>
10	112-7043	1	Crankcase ASM
20	98-9398	4	Cap-Sealing
30	98-7539	1	Cap-Sealing
40	98-7540	3	Plug
50	99-8347	1	Joint-Pipe, Drain
60	98-9597	3	Plug
70	98-7487	2	Plug
80	98-9379	3	Plug-Expansion
90	98-9668	1	Plug-Expansion
100	98-9375	2	Pin-Straight
110	98-9377	2	Pin-Straight
120	98-9376	2	Pin-Straight
130	98-9387	2	Pin-Pipe
140	98-9539	1	Pin-Pipe
150	98-9599	1	Plug
160	98-9630	1	Pin-Spring, Start
170	98-9675	1	Plug
180	98-9656	1	Bushing-Governor, Gear
190	98-7507	1	Plug
200	98-7428	1	Gasket
220	99-3447	1	Plug
230	106-7056	1	Gasket
240	98-9416	1	Switch-Oil



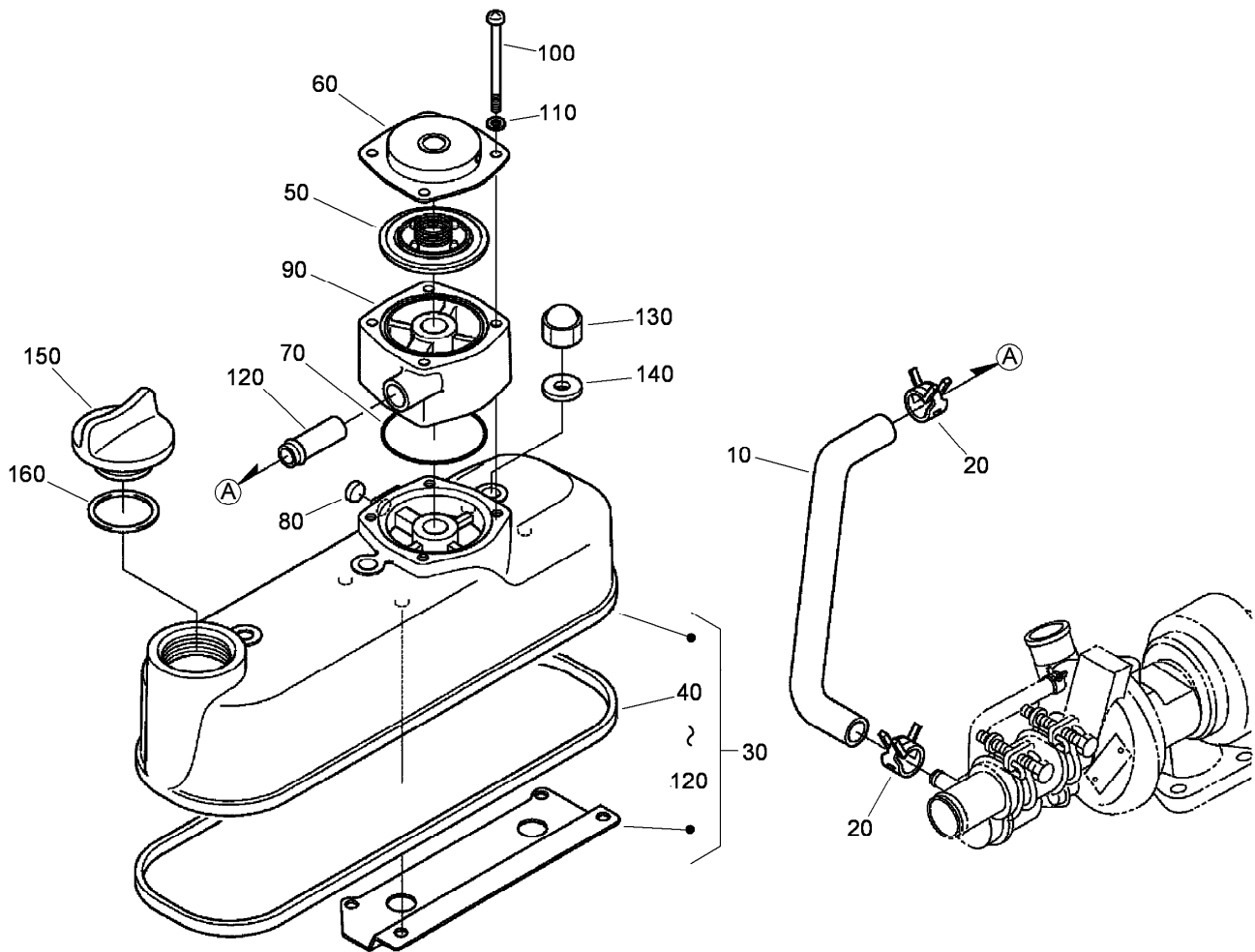
## Oil Pan Assembly

<i>Ref.</i>	<i>Part Number</i>	<i>Qty.</i>	<i>Description</i>
10	112-0179	1	Pan-Oil
30	98-9351	22	Bolt
40	114-8151	1	Plug-Drain
50	98-7524	1	Gasket
60	112-7044	1	*obs* Head-Filter
70	98-7526	1	Bolt
80	105-3776	1	O-Ring
90	107-9076	1	Gauge-Oil
100	105-4580	1	Guide-Gauge, Oil



## Cylinder Head Assembly

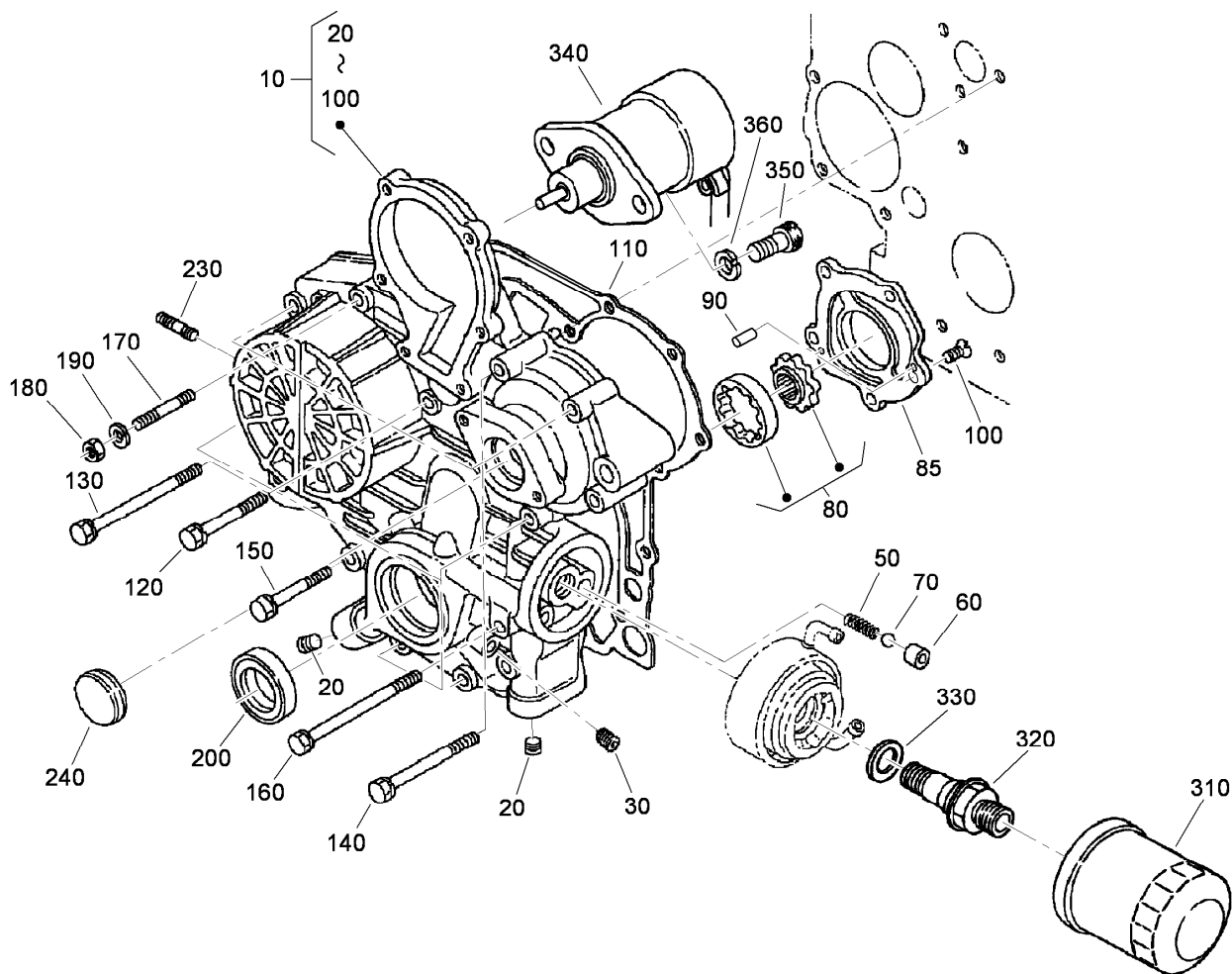
<i>Ref.</i>	<i>Part Number</i>	<i>Qty.</i>	<i>Description</i>
10	98-7531	2	Hook-Engine
20	100-9195	2	Bolt
30	108-6573	1	Gasket-Head, Cylinder
40	107-7823	1	Cylinder Head ASM
50	105-3705	1	Cap-Sealing
60	98-7540	2	Plug
70	107-9066	3	Guide-Valve, Inlet
80	107-9067	3	Guide-Valve, Exhaust
90	98-9389	2	Cap-Sealing
100	98-9479	12	Bolt-Head, Cylinder
110	98-9647	2	Bolt-Head, Cylinder
130	98-9444	1	Plug



## Head Cover Assembly

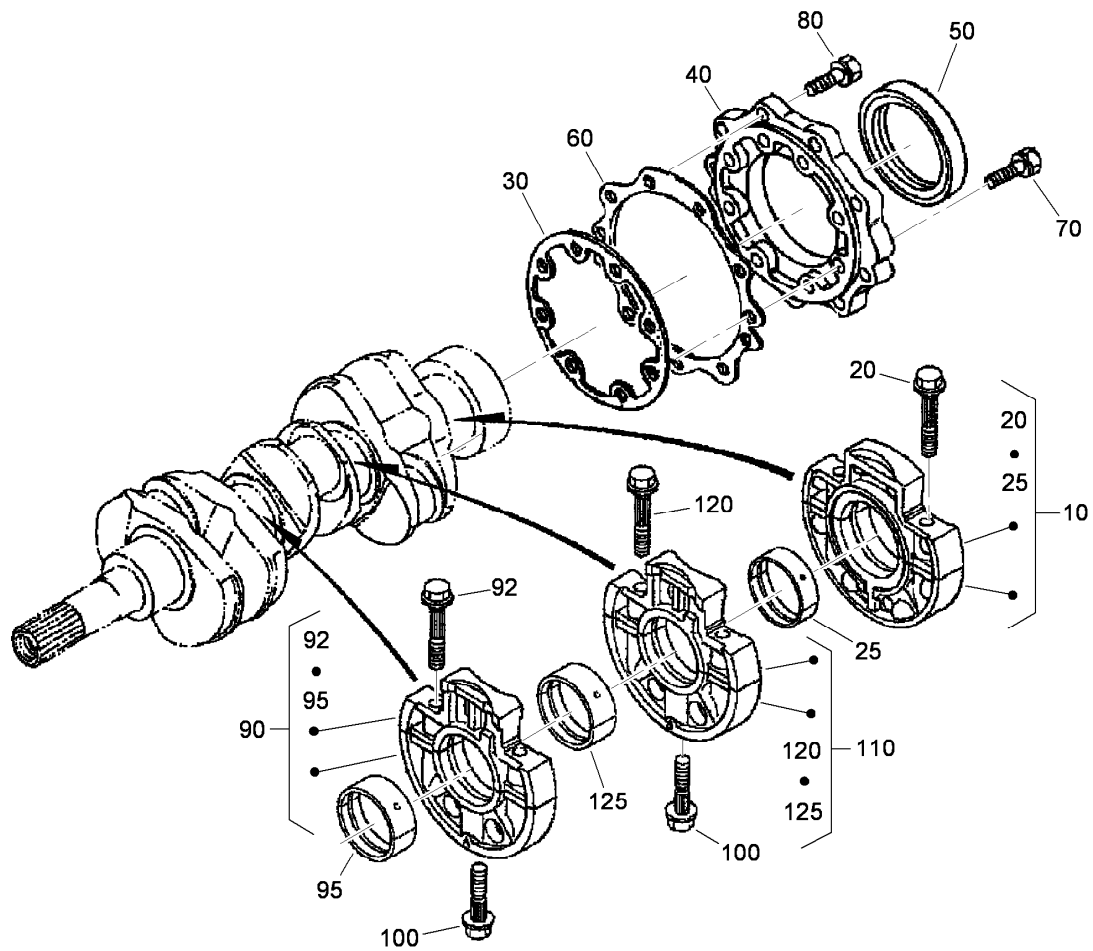
<i>Ref.</i>	<i>Part Number</i>	<i>Qty.</i>	<i>Description</i>
10	115-3040	1	Tube-Breather
20	108-2859	2	Clamp-Hose
30	115-3041	1	Cylinder Head Cover ASM
40	98-9615	1	Gasket-Cover, Head
50	108-2861	1	Breather Valve ASM
60	110-3714	1	Cover-Breather
70	110-3846	1	O Ring-Breather
80	115-3042	1	Cap-Sealing
90	115-3043	1	Spacer-Breather
100	115-3044	4	Screw-Pan Head
110	100-2204	4	Washer-Spring
120	98-7766	1	Pipe-Return, Water
130	98-9455	3	Nut-Cap
140	98-9454	3	Gasket
150	107-9075	1	Plug-Filler, Oil
160	99-3446	1	O-Ring





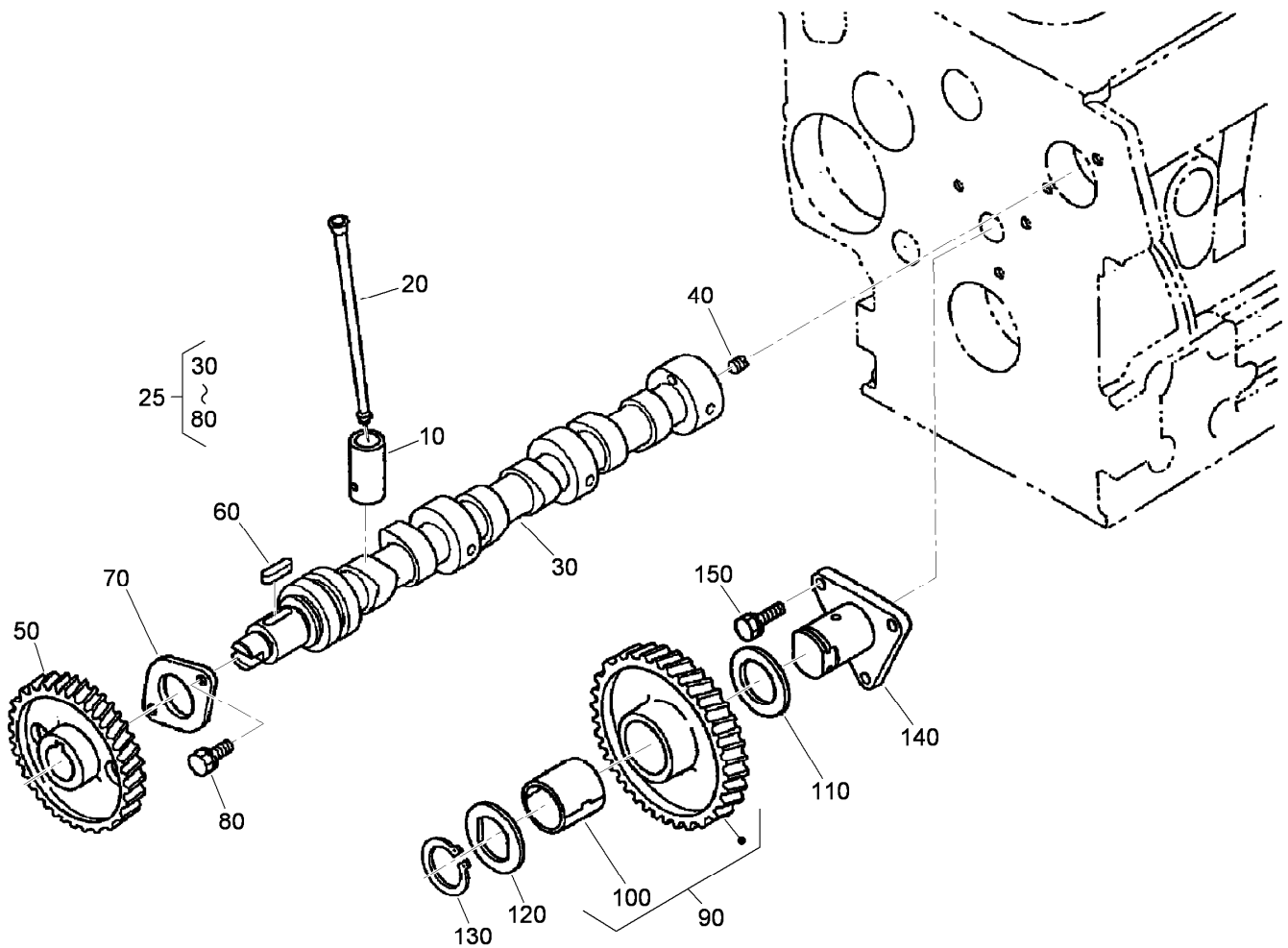
## Gear Case Assembly

<i>Ref.</i>	<i>Part Number</i>	<i>Qty.</i>	<i>Description</i>	<i>Ref.</i>	<i>Part Number</i>	<i>Qty.</i>	<i>Description</i>
10	115-4111	1	Gear Case ASM	150	107-9074	1	Bolt
20	98-9598	2	Plug	160	98-9586	2	Bolt
30	98-7487	1	Plug	170	105-3709	1	Stud
50	98-9544	1	Spring	180	98-7572	1	Nut
60	98-9543	1	Seat-Valve	190	98-7699	1	Washer-Spring
70	98-9380	1	Ball	200	98-9482	1	Seal-Oil
80	98-9540	1	Oil Pump Rotor ASM	230	105-3710	2	Stud
85	107-9069	1	Cover-Pump, Oil	240	98-9641	1	Cover-Case, Gear
90	107-9072	2	Pin-Straight	310	108-3841	1	Filter-Oil
100	107-9071	5	Screw	320	104-5159	1	Holder ASM
110	98-9633	1	Gasket-Case, Gear	330	98-9727	1	Collar
120	98-7496	3	Bolt	340	104-5155	1	Solenoid-Stop
130	105-3797	4	Bolt	350	115-3039	2	Bolt-HSH
140	98-9356	4	Bolt	360	98-7699	2	Washer-Spring



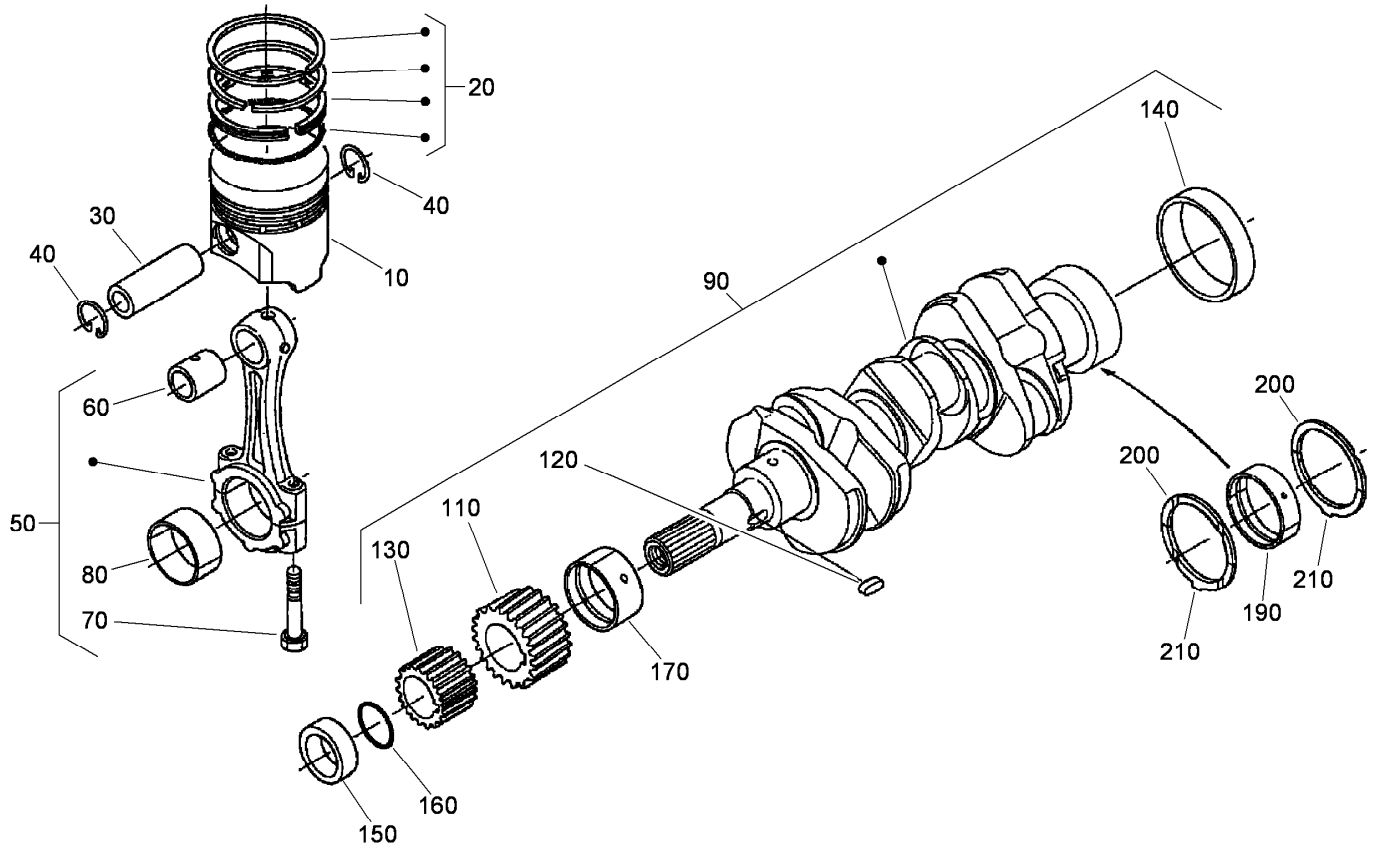
## Main Bearing Case Assembly

Ref.	Part Number	Qty.	Description
10	112-7026	1	Wheel Bearing Case ASM
20	98-9484	2	Bolt-Case, Bearing
25	112-7045	1	Metal-Crankshaft
25	112-7039	1	Metal-Crankshaft (0.2Mm)
25	112-7040	1	Metal-Crankshaft (-0.4Mm)
30	98-9634	1	Gasket-Case, Bearing
40	112-7046	1	Cover-Case, Bearing
50	112-0180	1	Seal-Oil
60	112-7037	1	Gasket-Cover, Case
70	98-9352	8	Bolt
80	98-7568	9	Bolt
90	112-7028	1	Bearing ASM
92	98-9484	2	Bolt-Case, Bearing
95	112-7011	1	Bearing-Main (STD)
95	112-7012	1	Metal-Crankpin (-0.2Mm)
95	112-7013	1	Metal-Crankpin (-0.4Mm)
100	98-9485	2	Bolt-Case, Bearing
110	112-7027	1	Bearing ASM
120	98-9484	2	Bolt-Case, Bearing
125	112-7011	1	Bearing-Main (STD)
125	112-7012	1	Metal-Crankpin (-0.2Mm)
125	112-7013	1	Metal-Crankpin (-0.4Mm)



## Camshaft and Idle Gear Shaft Assembly

<i>Ref.</i>	<i>Part Number</i>	<i>Qty.</i>	<i>Description</i>
10	112-0185	6	Tappet
20	98-9509	6	Rod-Push
25	112-7029	1	Camshaft ASM
30	108-1403	1	Camshaft
40	98-7449	1	Screw-Set
50	98-9512	1	Gear-Cam
60	98-9378	1	Key-Feather
70	98-9510	1	Stopper-Camshaft
80	98-7692	2	Bolt
90	98-9649	1	Idle Gear ASM
100	98-9650	1	Bushing-Gear, Idle
110	98-9535	1	Collar-Gear, Idle
120	98-9536	1	Collar-Gear, Idle
130	98-9534	1	Circlip-Gear, Idle
140	98-9533	1	Shaft-Gear, Idle
150	98-7692	3	Bolt

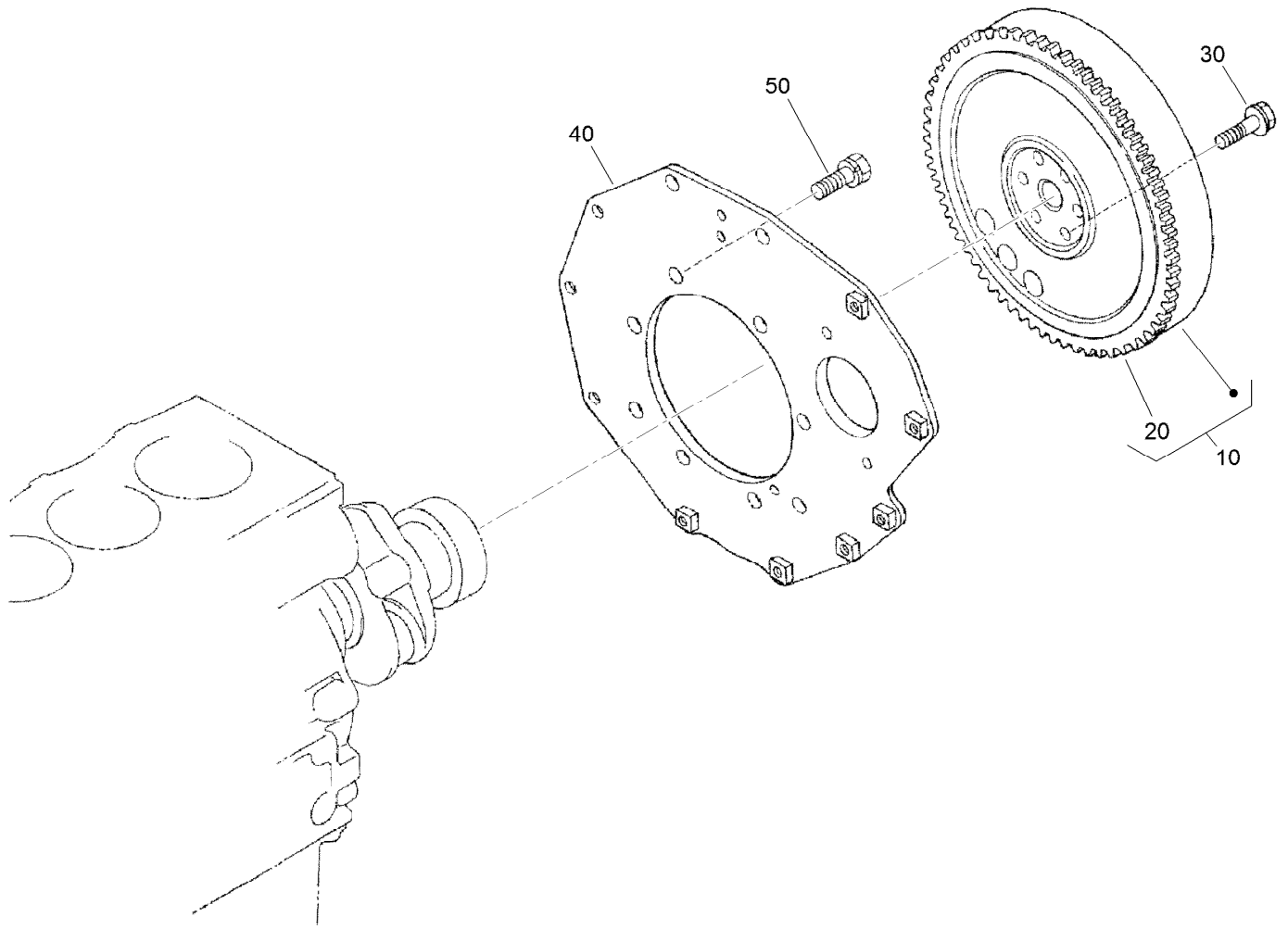


## Piston and Crankshaft Assembly

Ref.	Part Number	Qty.	Description
10	98-9550	3	Piston (STD)
10	108-1417	3	Piston (0.5Mm)
20	98-9551	3	Piston Ring ASM (STD)
20	108-1404	3	Piston Ring ASM (0.5Mm)
30	98-9513	3	Pin-Piston
40	98-9514	6	Circlip-Pin, Piston
50	98-9552	3	Connecting Rod ASM
60	115-3014	3	Bushing-Pin, Piston
70	98-9517	6	Bolt-Rod, Connecting
80	98-9553	3	Bearing-Rod (STD)
80	108-1405	3	Metal-Crankpin (-0.2Mm)
80	108-1406	3	Metal-Crankpin (-0.4Mm)
90	98-9642	1	Crankshaft ASM
100	110-3729	3	Ball ●
110	98-9532	1	Gear-Crankshaft
120	98-9666	1	Key
130	98-9542	1	Gear-Drive, Oil Pump
140	98-9522	1	Sleeve-Crankshaft

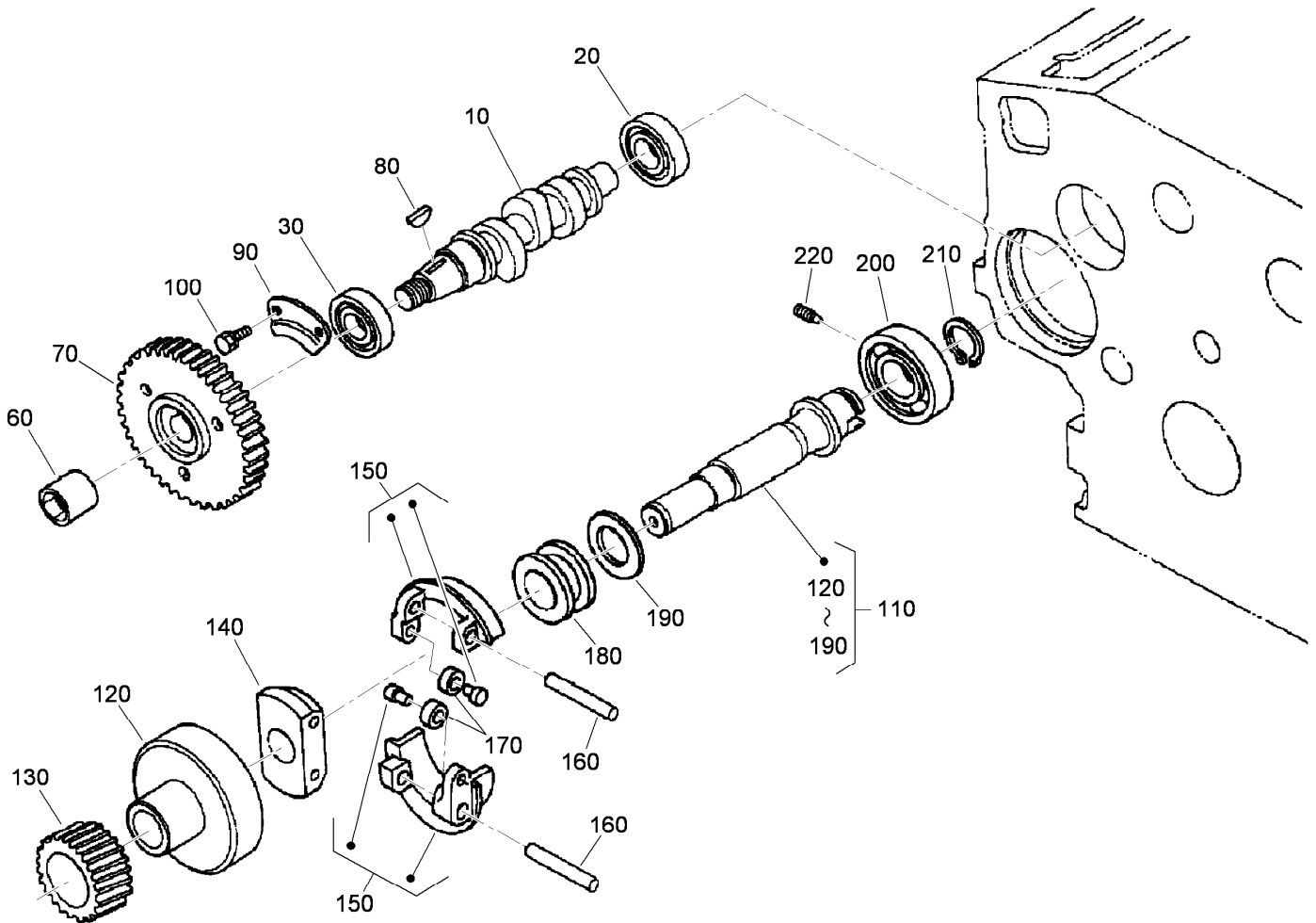
Ref.	Part Number	Qty.	Description
150	98-9521	1	Collar-Crankshaft
160	105-3783	1	O-Ring
170	112-7005	1	Bearing-Main (STD)
170	112-7009	1	Metal-Crankpin (-0.2Mm)
170	112-7010	1	Metal-Crankpin (-0.4Mm)
180	112-7011	2	Bearing-Main (STD) ●
180	112-7012	2	Metal-Crankpin (-0.2Mm) ●
180	112-7013	2	Metal-Crankpin (-0.4Mm) ●
190	112-7045	1	Metal-Crankshaft
190	112-7039	1	Metal-Crankshaft (0.2Mm)
190	112-7040	1	Metal-Crankshaft (-0.4Mm)
200	98-9413	2	Bearing-Thrust (STD)
200	98-9414	2	Bearing-Thrust (0.2Mm)
200	98-9415	2	Bearing-Thrust (0.4Mm)
210	98-9688	2	Bearing-Thrust (STD)
210	98-9689	2	Bearing-Thrust (0.2Mm)
210	98-9690	2	Bearing-Thrust (0.4Mm)

● Not illustrated



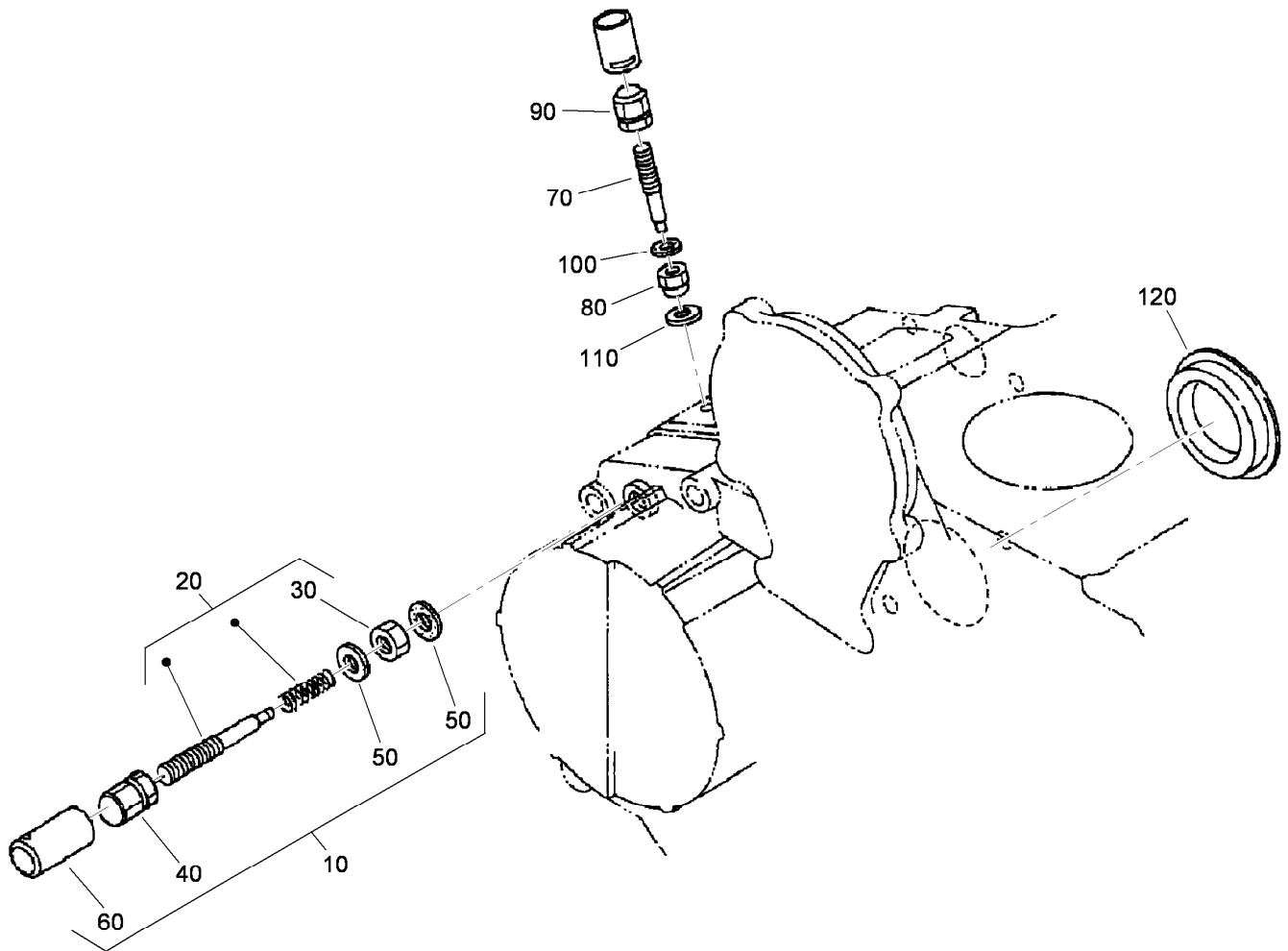
## Flywheel Assembly

<i>Ref.</i>	<i>Part Number</i>	<i>Qty.</i>	<i>Description</i>
10	105-3784	1	Flywheel ASM
20	115-3015	1	Gear-Ring
30	98-9537	6	Bolt-Flywheel
40	98-9486	1	Plate-End, Rear
50	98-9392	8	Bolt



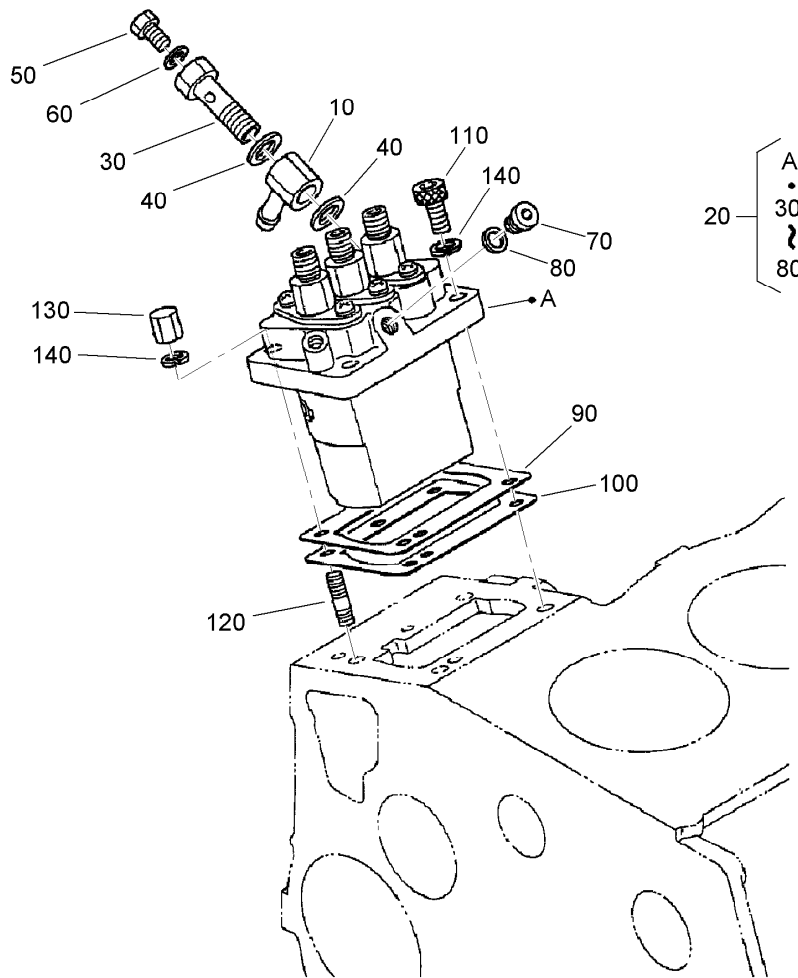
## Fuel Camshaft and Governor Shaft Assembly

<i>Ref.</i>	<i>Part Number</i>	<i>Qty.</i>	<i>Description</i>
10	98-9459	1	Camshaft-Fuel
20	107-9077	1	Bearing-Ball
30	107-9078	1	Bearing-Ball
60	98-9590	1	Nut-Cap
70	98-9669	1	Gear-Pump, Injection
80	98-9595	1	Key-Woodruff
90	98-9511	1	Stopper-Fuel, Camshaft
100	98-7692	2	Bolt
110	98-9644	1	Governor Shaft ASM
120	98-9562	1	Holder-Gear, Governor
130	98-9673	1	Gear-Governor
140	98-9561	1	Holder-Weight, Governor
150	98-9559	2	Governor Weight ASM
160	98-9560	2	Shaft-Weight, Governor
170	98-9692	2	Roller
180	98-9563	1	Sleeve-Governor
190	98-9564	1	Washer-Thrust
200	107-9079	1	Bearing-Ball
210	98-9657	1	Circlip-Shaft, Governor
220	98-9565	1	Screw-Set



## Idle Apparatus Assembly

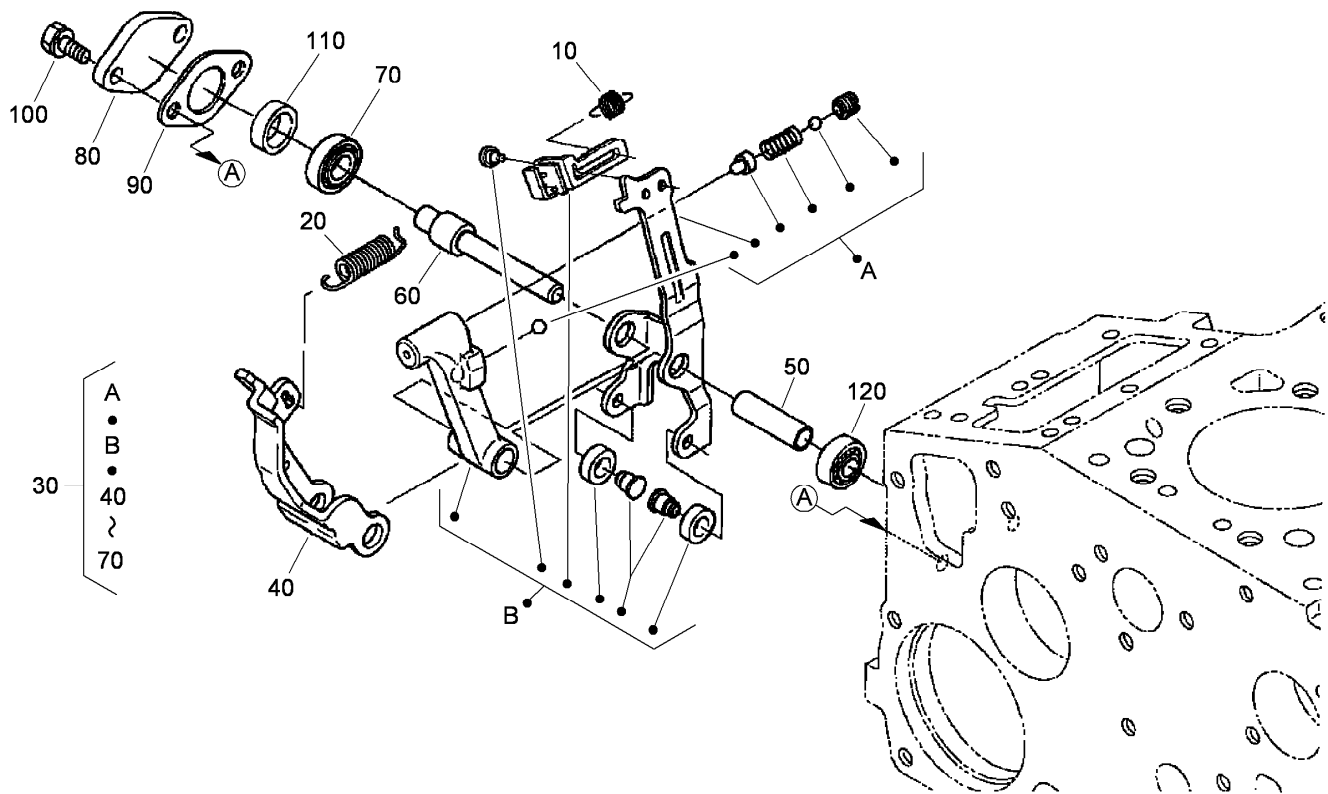
<i>Ref.</i>	<i>Part Number</i>	<i>Qty.</i>	<i>Description</i>
10	98-9678	1	Idle Apparatus ASM
20	112-7014	1	Adjusting Bolt ASM
30	99-8387	1	Nut-Cap
40	112-0181	1	Nut
50	98-7654	2	Gasket
60	98-7656	1	Cap
70	112-7015	1	Bolt-Adjusting
80	100-2175	1	Nut-Lock
90	112-0181	1	Nut
100	98-7654	1	Gasket
110	107-9081	1	Gasket
120	112-7016	1	Cover-Pump



## Injection Pump Assembly

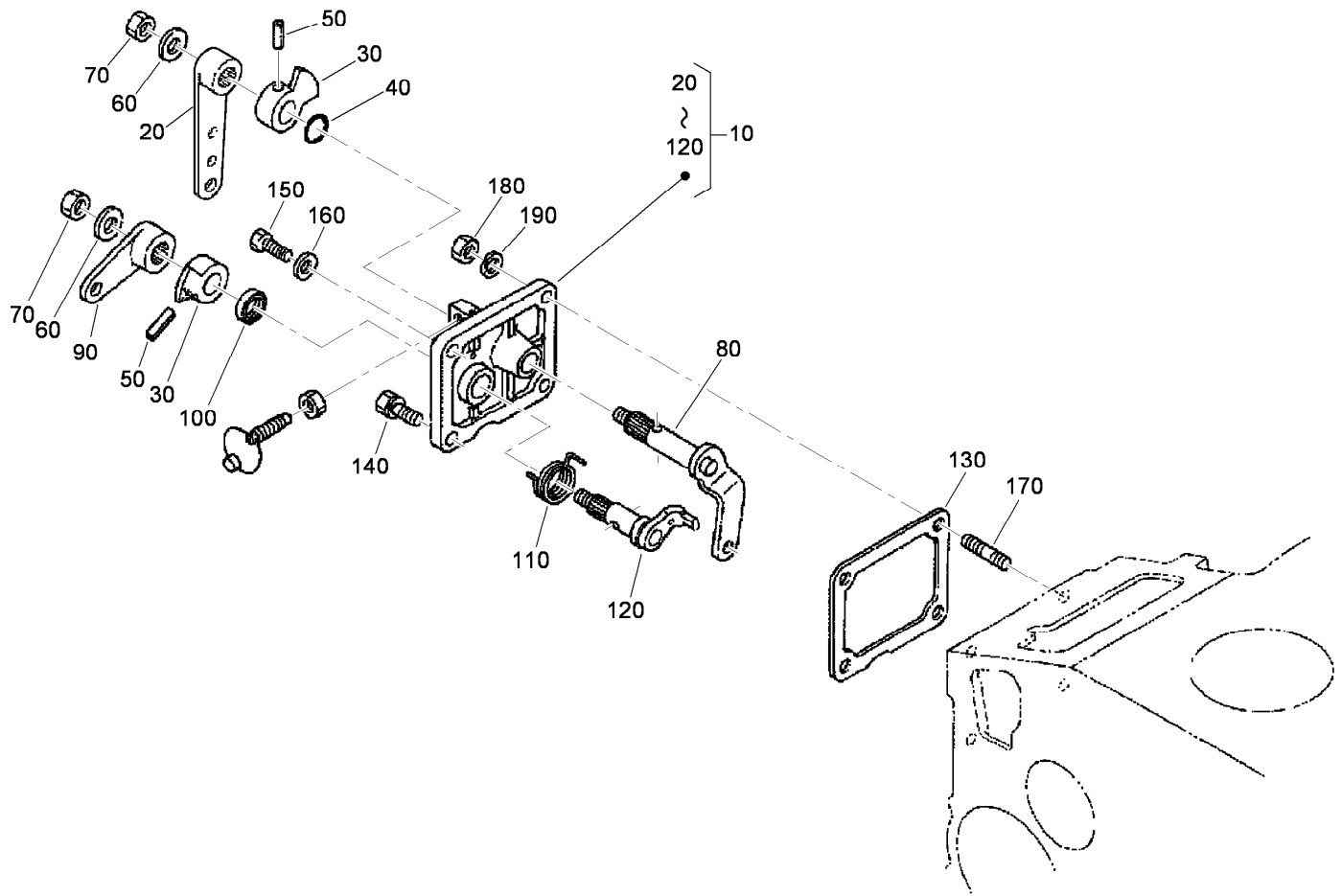
<i>Ref.</i>	<i>Part Number</i>	<i>Qty.</i>	<i>Description</i>
10	98-9596	1	Joint-Eye
20	98-9643	1	Injection Pump ASM
30	98-9464	1	Bolt-Joint
40	98-9445	2	Gasket
50	98-9430	1	Screw
60	98-9446	1	Gasket
70	98-9466	1	Plug
80	98-9451	1	Gasket
90	98-9457	1	Shim-Injection (0.25Mm)
90	98-9456	1	Shim-Injection (0.20Mm)
100	98-9458	1	Shim-Injection (0.30Mm)
110	98-9361	2	Bolt-HSH
120	98-9438	2	Stud
130	98-9440	2	Nut-Cap
140	98-7699	4	Washer-Spring





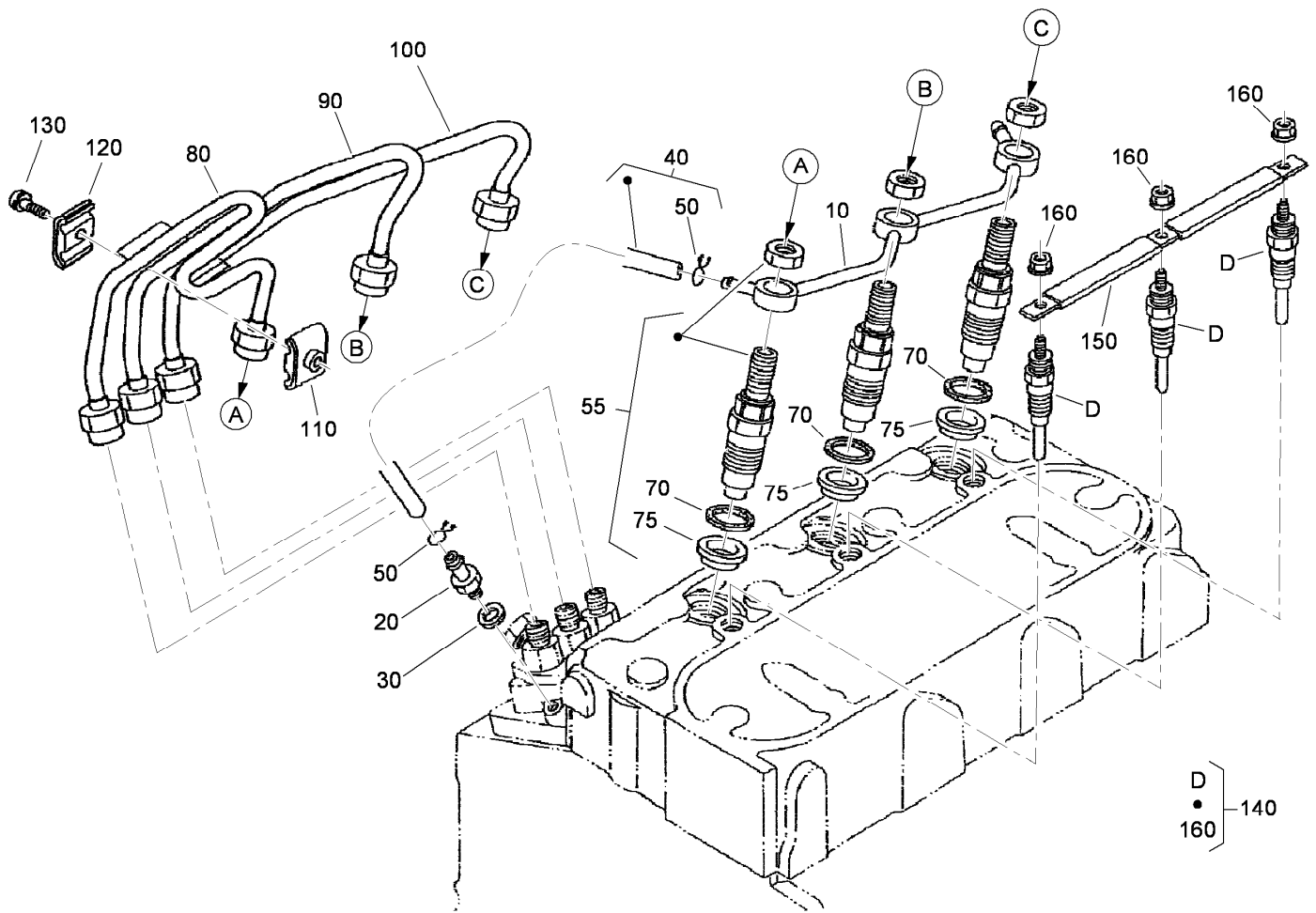
## Governor Assembly

<i>Ref.</i>	<i>Part Number</i>	<i>Qty.</i>	<i>Description</i>
10	105-3786	1	Spring-Start
20	98-9681	1	Spring-Governor
30	107-9082	1	Fork Lever ASM
40	107-9084	1	Lever-Fork
50	107-9085	1	Shaft-Lever, Fork
60	107-9086	1	Shaft-Lever, Fork
70	98-9570	1	Bearing-Miniaturize
80	98-9569	1	Cover-Shaft, Fork Lever
90	98-9682	1	Gasket
100	98-9350	2	Bolt
110	98-9567	1	Collar
120	98-9571	1	Bearing-Miniaturize



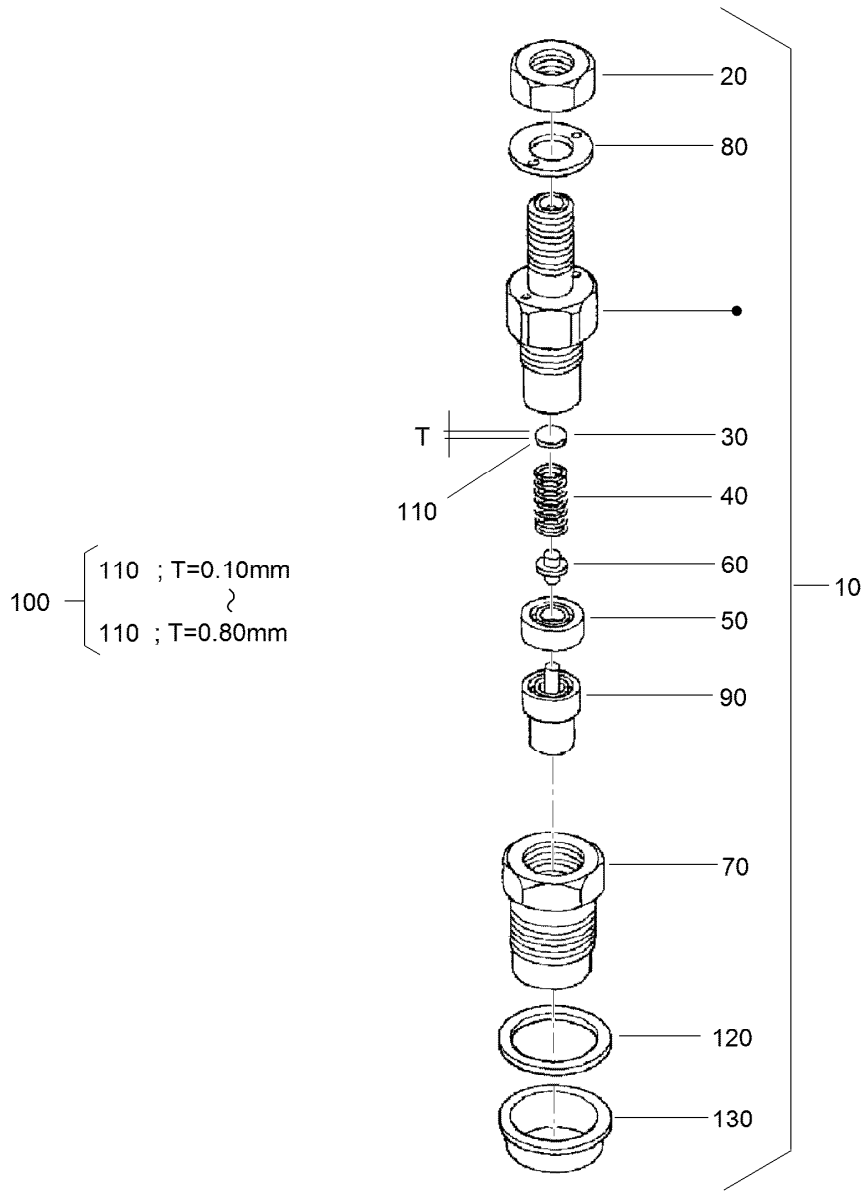
## Speed Control Plate Assembly

<i>Ref.</i>	<i>Part Number</i>	<i>Qty.</i>	<i>Description</i>
10	105-3735	1	Control Plate ASM
20	98-9662	1	Lever-Control, Speed
30	98-9572	2	Lever-Control, Speed
40	105-3788	1	O-Ring
50	98-7602	2	Pin-Spring
60	98-9594	2	Washer-Plain
70	98-9589	2	Nut
80	98-9658	1	Governor Lever ASM
90	98-9663	1	Lever-Stop, Engine
100	98-7601	1	Seal-Oil
110	98-9472	1	Spring-Return
120	98-9664	1	Shaft-Lever, Stop
130	98-9637	1	Gasket
140	98-7692	1	Bolt
150	99-8348	1	Bolt
160	98-7654	1	Gasket
170	105-3710	2	Stud
180	98-7572	2	Nut
190	98-7699	2	Washer-Spring



## Nozzle Holder and Glow Plug Assembly

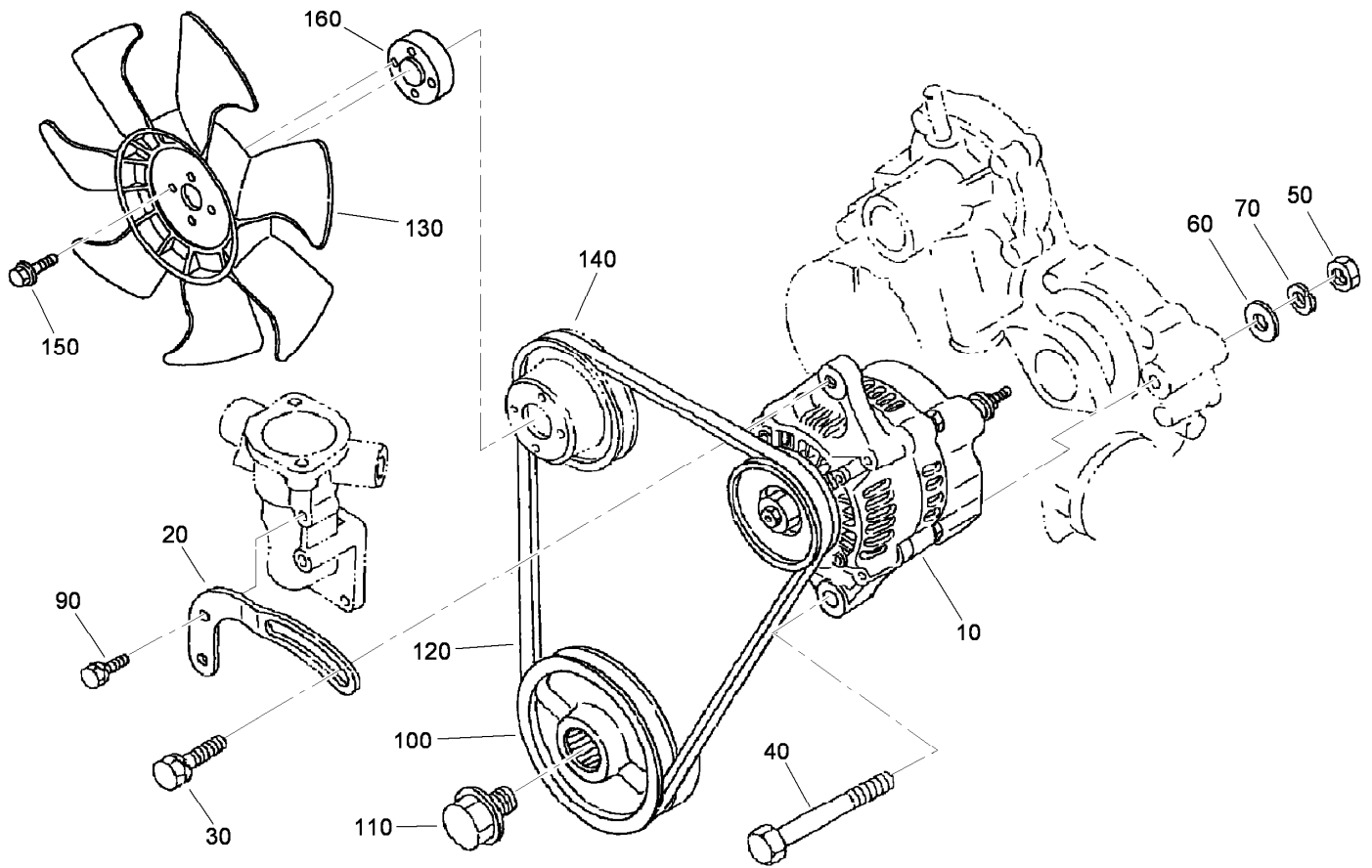
Ref.	Part Number	Qty.	Description
10	98-9621	1	Overflow Pipe ASM
20	98-9431	1	Screw-Bleeder, Air
30	98-7654	1	Gasket
40	98-9624	1	Overflow Pipe ASM
50	98-7671	2	Clip-Pipe
55	108-2866	3	Nozzle Holder Kit
70	98-7676	3	Gasket
75	98-7677	3	Seal-Heat
80	98-9622	1	Pipe-Injection
90	98-9654	1	Pipe-Injection
100	98-9655	1	Pipe-Injection
110	98-7682	2	Clamp-Pipe
120	98-7683	2	Clamp-Pipe
130	98-7684	2	Screw (W/Washer)
140	98-9623	3	Plug-Glow
150	98-9631	1	Cord-Plug, Glow
160	99-8377	3	Nut-Flange



## Nozzle Holder Assembly

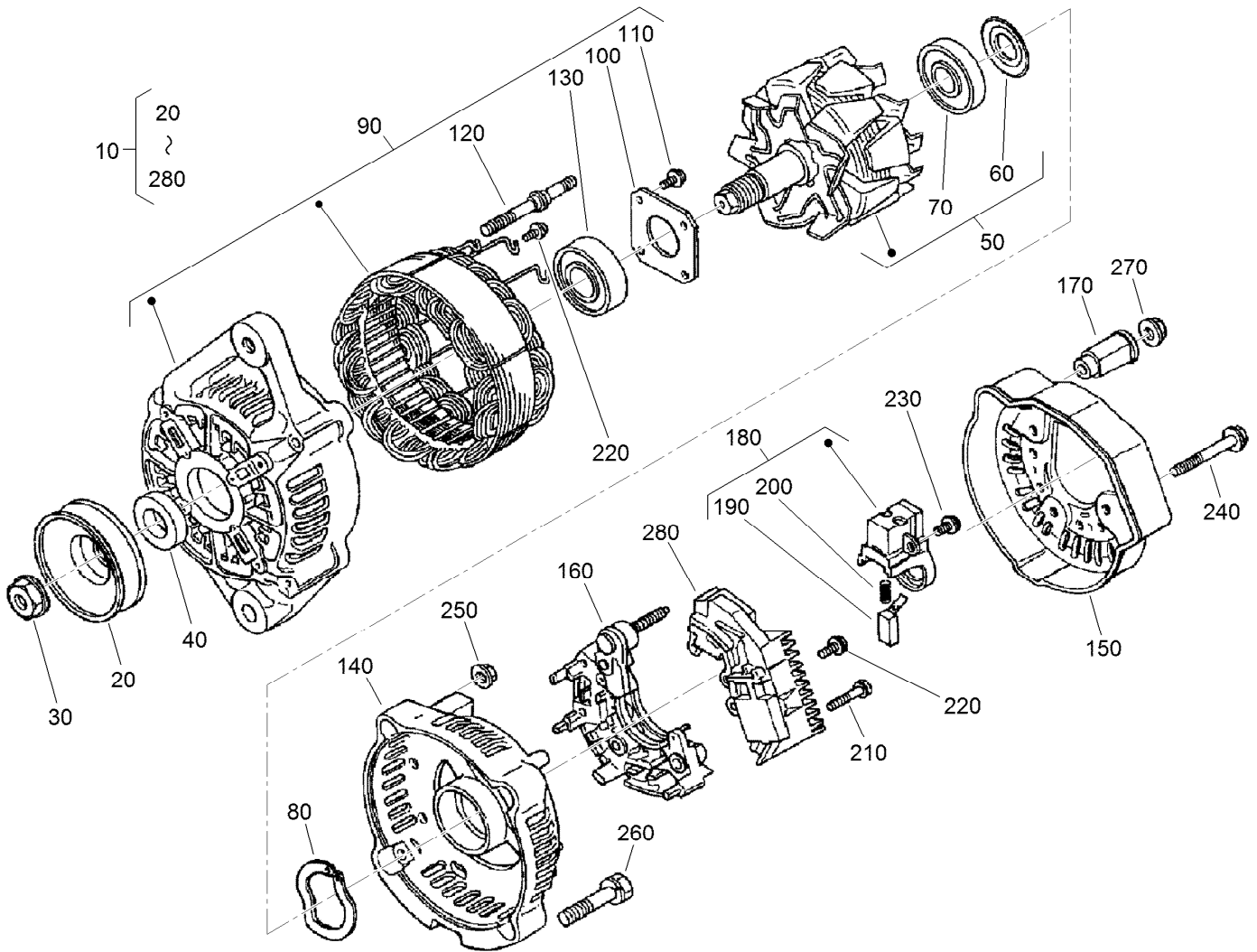
Ref.	Part Number	Qty.	Description
10	108-2866	3	Nozzle Holder Kit
20	99-8301	3	Nut
30	99-8302	3	Washer-Adjusting
40	99-8303	3	Spring-Nozzle
50	99-8304	3	Spacer-Distance
60	99-8305	3	Rod-Push
70	99-8306	3	Nut-Nozzle
80	99-8307	3	Washer-Plain
90	107-7826	3	Piece-Nozzle
100	99-8309	3	Adjusting Washer ASM
110	99-8310	3	Washer-Adjust (0.10Mm)

Ref.	Part Number	Qty.	Description
110	99-8311	3	Washer-Adjust (0.20Mm)
110	99-8312	3	Washer-Adjust (0.30Mm)
110	99-8313	3	Washer-Adjust (0.40Mm)
110	99-8314	3	Washer-Adjust (0.50Mm)
110	99-8315	3	Washer-Adjust (0.52Mm)
110	99-8316	3	Washer-Adjust (0.54Mm)
110	99-8317	3	Washer-Adjust (0.56Mm)
110	99-8318	3	Washer-Adjust (0.58Mm)
110	99-8319	3	Washer-Adjust (0.80Mm)
120	98-7676	3	Gasket
130	98-7677	3	Seal-Heat



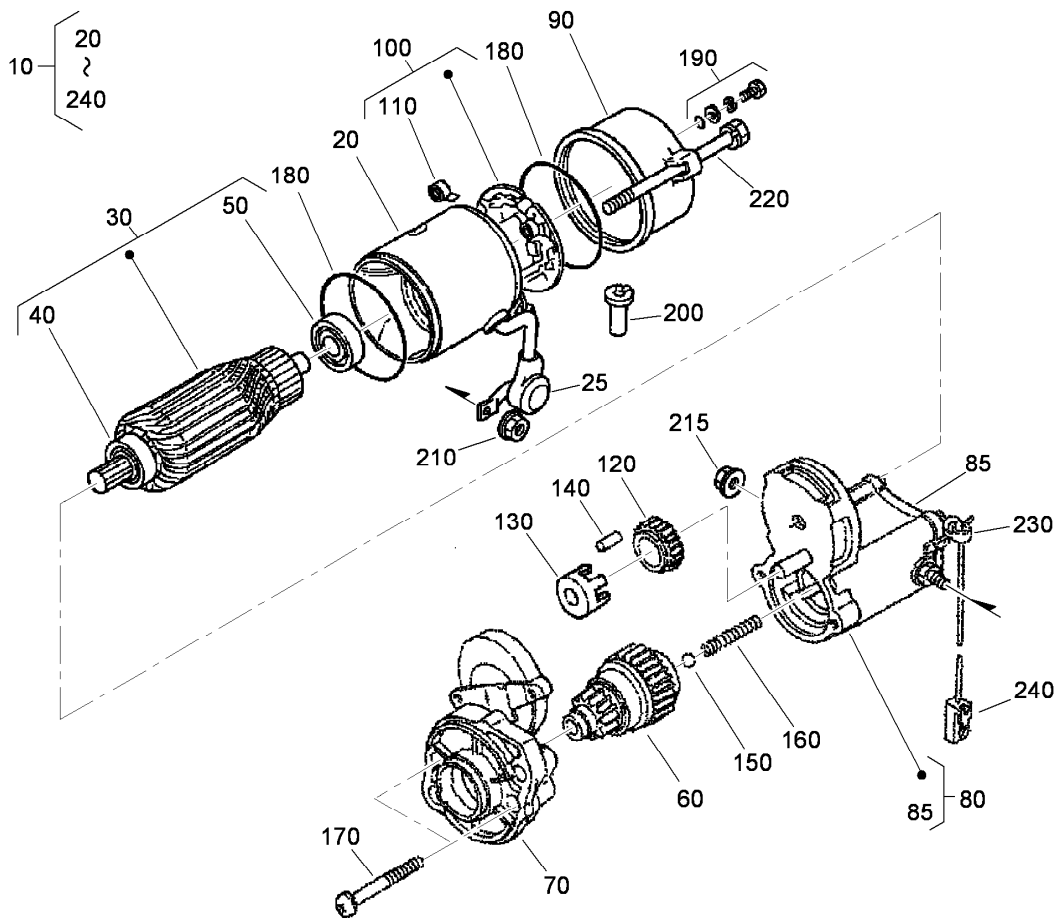
## Alternator and Pulley Assembly

<i>Ref.</i>	<i>Part Number</i>	<i>Qty.</i>	<i>Description</i>
10	98-9474	1	Alternator ASM
20	112-7047	1	Stay-Dynamo
30	108-7088	1	Bolt
40	98-9360	1	Bolt
50	98-7737	1	Nut
60	98-9366	1	Washer-Plain
70	98-7738	1	Washer-Spring
90	98-7692	1	Bolt
100	98-9473	1	Pulley-Drive, Fan
110	98-9585	1	Bolt
120	98-9676	1	V-Belt
130	104-4246	1	Fan-Engine
140	98-9584	1	Pulley-Fan
150	33103-020	4	Screw-HHF
160	108-2872	1	Collar-Fan



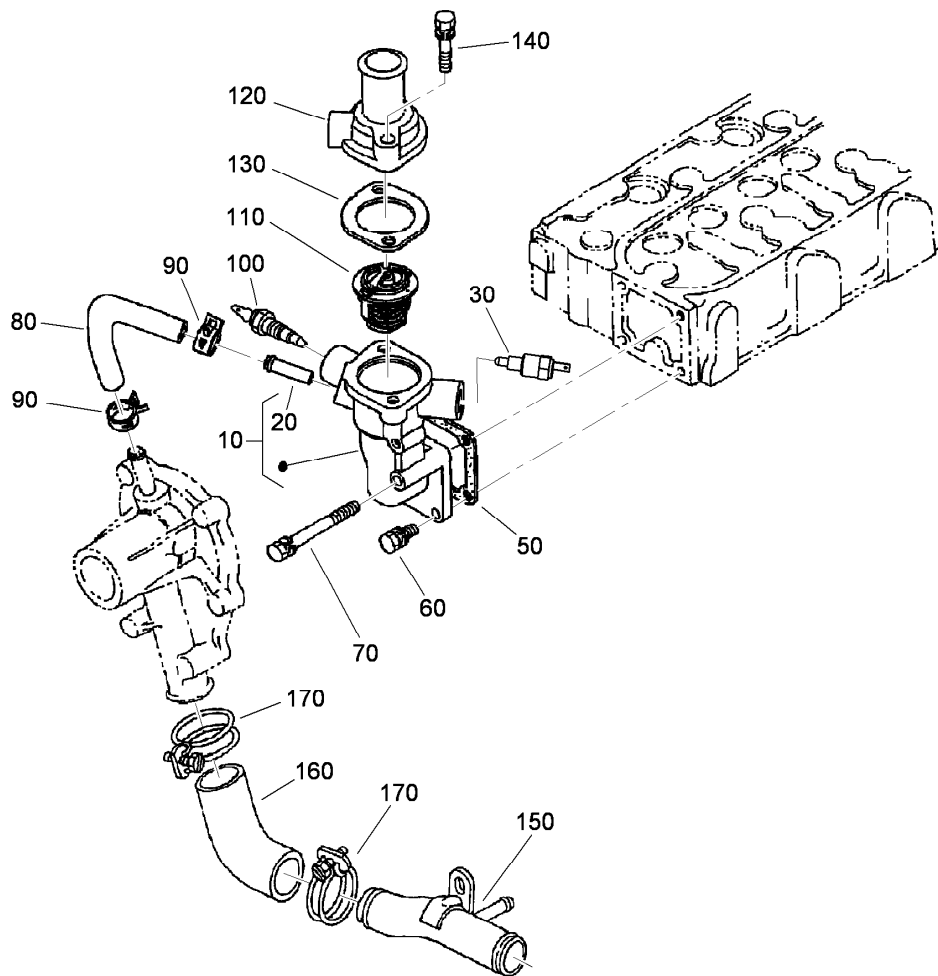
## Alternator Components Assembly

<i>Ref.</i>	<i>Part Number</i>	<i>Qty.</i>	<i>Description</i>	<i>Ref.</i>	<i>Part Number</i>	<i>Qty.</i>	<i>Description</i>
10	98-9474	1	Alternator ASM	150	107-0140	1	Cover-End
20	98-9453	1	Pulley-Dynamo	160	98-7721	1	Rectifier ASM
30	98-7708	1	Nut	170	98-7722	1	Bushing-Insulation
40	98-7709	1	Collar	180	107-0141	1	Brush Holder ASM
50	107-0136	1	Rotor ASM	190	98-7724	2	Brush
60	98-7711	1	Cover-Bearing	200	98-7725	2	Spring-Brush
70	107-0138	1	Bearing-Ball	210	98-7726	2	Screw-Head, Round
80	98-7713	1	Washer-Thrust	220	98-7727	6	Screw-Head, Round
90	107-0139	1	Drive End Frame ASM	230	98-7728	1	Screw-Head, Round
100	98-7715	1	Plate-Retainer	240	98-7729	3	Bolt
110	98-7716	4	Screw-Head, Round	250	98-7730	2	Nut
120	98-7717	2	Bolt-Through	260	98-7731	2	Bolt
130	107-0137	1	Bearing-Ball	270	98-7732	1	Nut
140	107-9087	1	Frame-End	280	110-3799	1	Regulator ASM



## Starter (Component Part) Assembly No. 98-9705

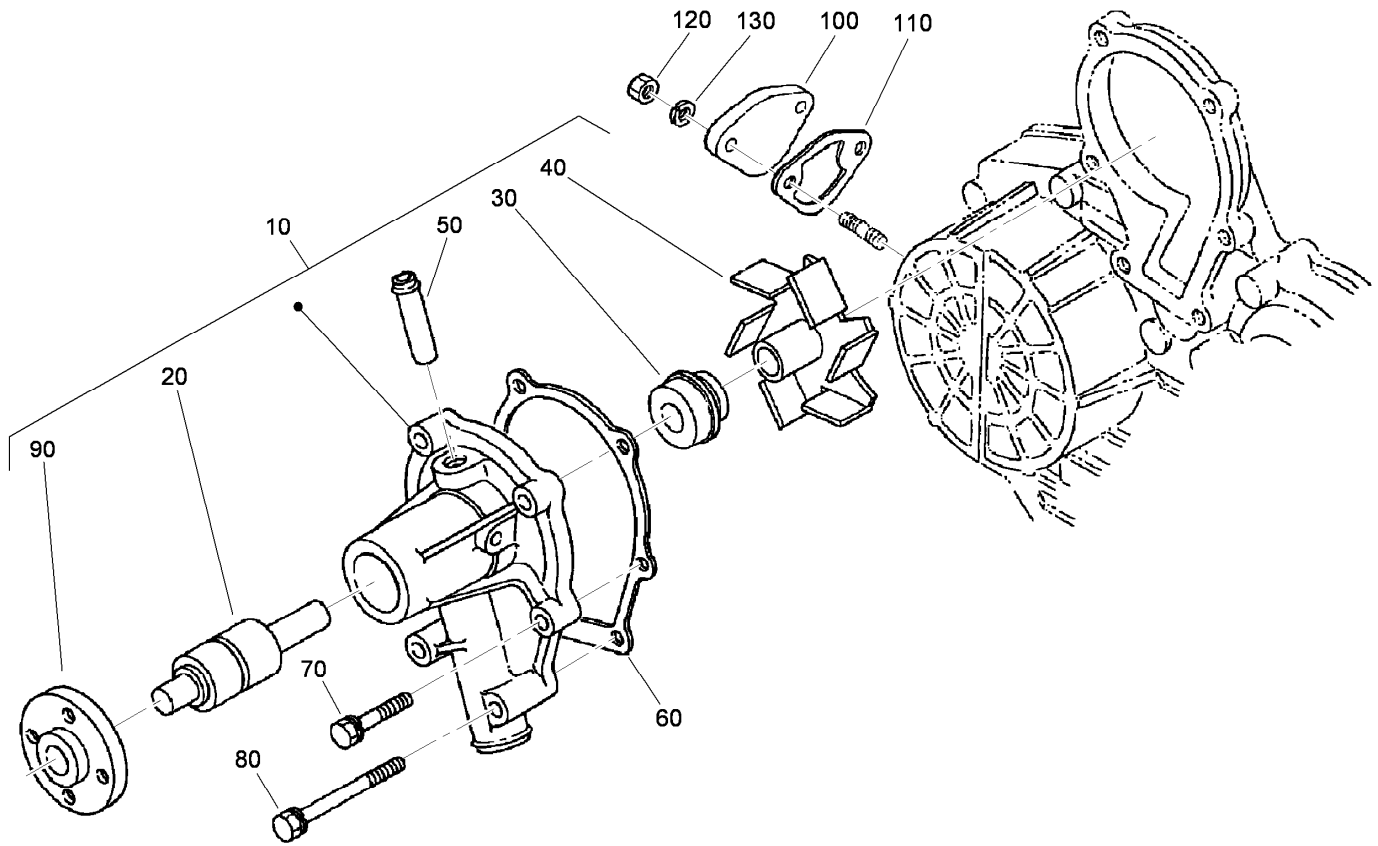
<i>Ref.</i>	<i>Part Number</i>	<i>Qty.</i>	<i>Description</i>	<i>Ref.</i>	<i>Part Number</i>	<i>Qty.</i>	<i>Description</i>
10	98-9705	1	Starter ASM	130	98-7752	1	Retainer
20	104-8608	1	Yoke ASM	140	98-7753	5	Roller
25	99-8375	1	Cover	150	98-7755	1	Ball
30	98-7742	1	Armature ASM	160	98-7754	1	Spring
40	98-7744	1	Bearing	170	98-7756	2	Bolt
50	98-7743	1	Bearing	180	98-7757	2	O-Ring
60	99-8373	1	Clutch-Running, Over	190	98-7758	2	Bolt ASM
70	99-8374	1	Frame-End, Drive	200	98-7759	1	Pipe-Drain
80	105-3746	1	Magnetic Switch ASM	210	99-8371	1	Nut-Hex
85	105-2886	1	Cover ASM	215	99-8376	1	Nut-Hex
90	98-7748	1	Frame-End	220	100-9240	2	Bolt
100	98-7749	1	Brush Holder ASM	230	98-9712	1	Band-Cover
110	98-7750	4	Spring-Brush	240	98-9711	1	Cord-Solenoid, Stop
120	98-7751	1	Gear				



## Water Flange and Thermostat Assembly

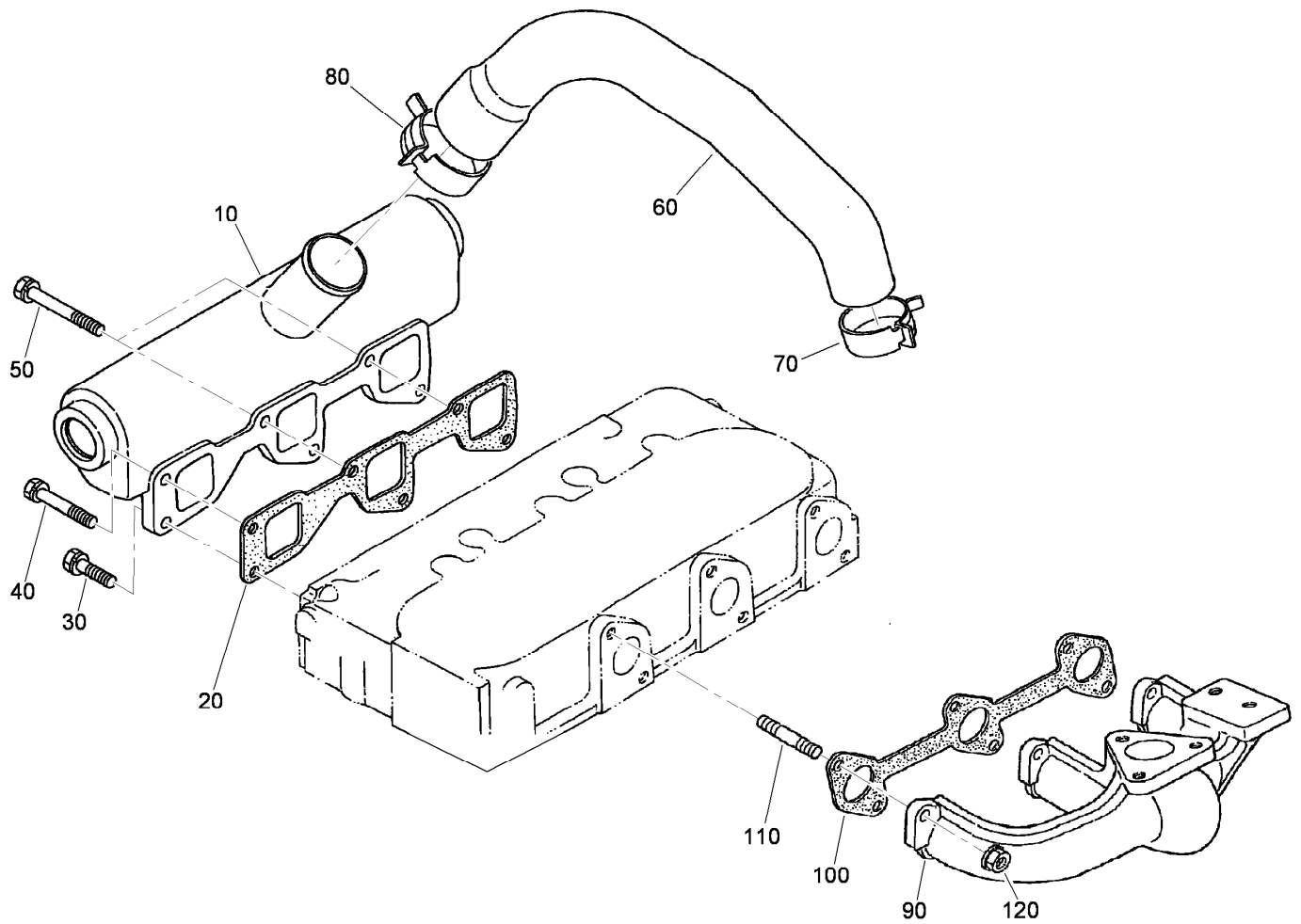
<i>Ref.</i>	<i>Part Number</i>	<i>Qty.</i>	<i>Description</i>
10	98-9713	1	Water Flange ASM
20	98-9580	1	Pipe-Return, Water
30	98-9719	1	Thermoswitch
50	98-9638	1	Gasket-Flange, Water
60	98-7692	3	Bolt
70	98-9356	1	Bolt
80	98-9578	1	Pipe-Return, Water
90	98-9579	2	Band-Pipe
100	112-0183	1	Switch-Thermometer
110	98-7778	1	Thermostat ASM
120	98-9471	1	Cover-Thermostat
130	105-3748	1	Gasket-Thermostat
140	98-7777	2	Bolt
150	99-8379	1	Pipe-Water
160	107-9091	1	Pipe-Water
170	98-9717	2	Clamp





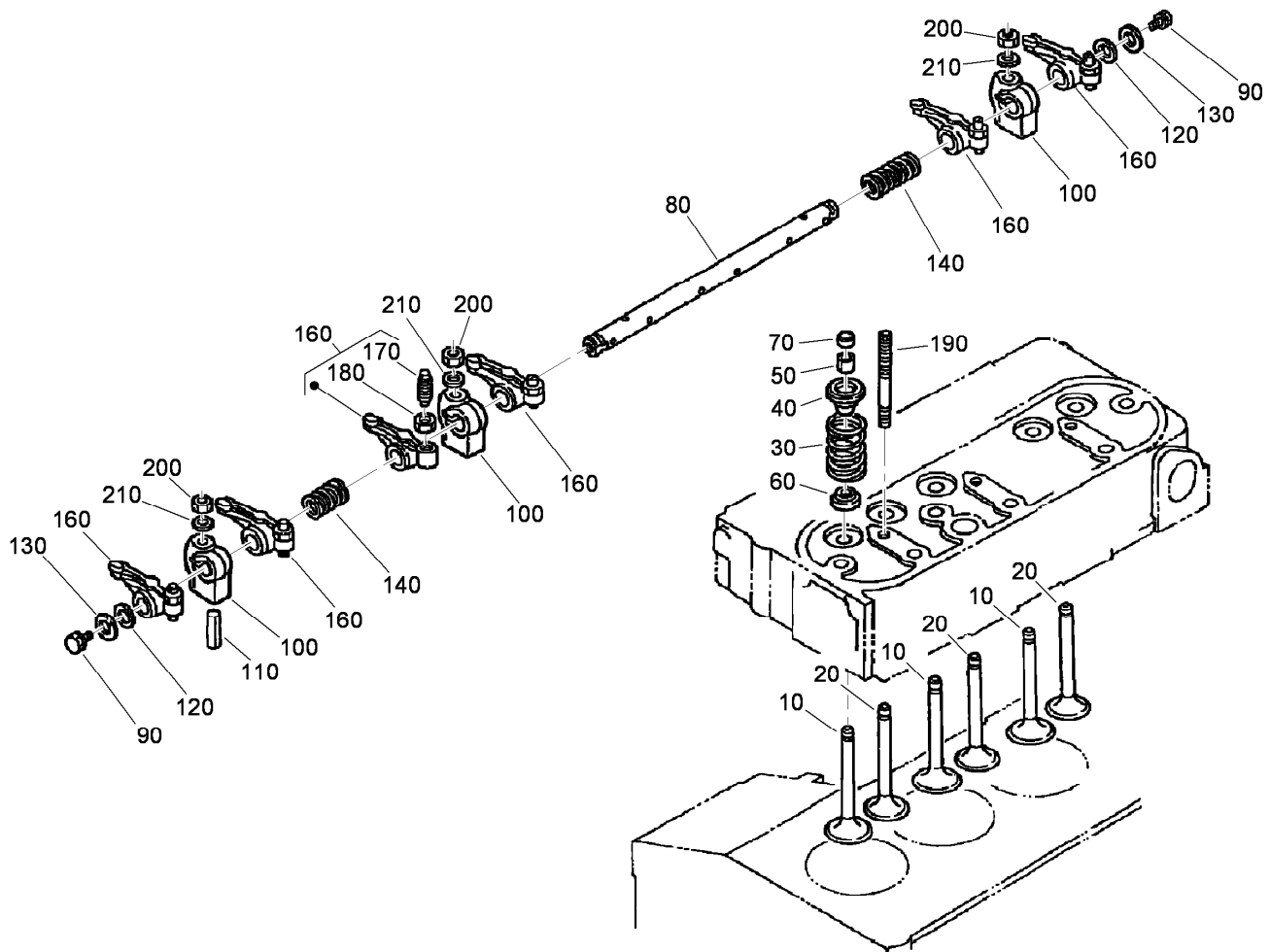
## Water Pump Assembly

<i>Ref.</i>	<i>Part Number</i>	<i>Qty.</i>	<i>Description</i>
10	107-9089	1	Water Pump ASM
20	99-3517	1	Bearing-Pump, Water
30	105-3750	1	Mechanical Seal ASM
40	112-7017	1	Impeller-Pump, Water
50	100-1932	1	Pipe-Return, Water
60	99-3454	1	Gasket-Pump, Water
70	98-9353	4	Bolt
80	107-9090	2	Bolt
90	99-3516	1	Flange-Pump, Water
100	99-3514	1	Cover
110	98-9636	1	Gasket-Pump, Fuel
120	98-7572	2	Nut
130	98-7699	2	Washer-Spring



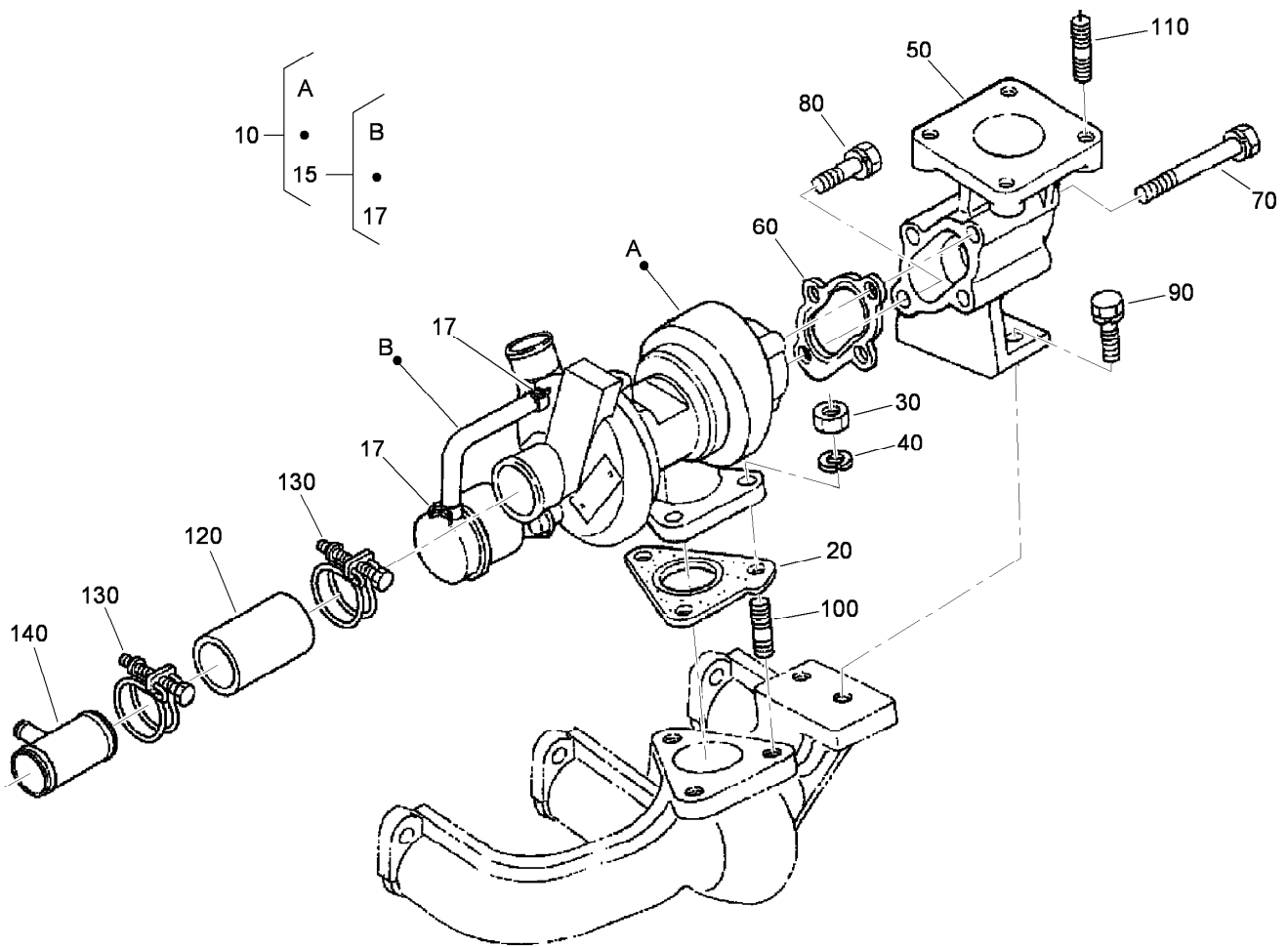
## Inlet and Exhaust Manifold Assembly

<i>Ref.</i>	<i>Part Number</i>	<i>Qty.</i>	<i>Description</i>
10	99-8321	1	Manifold-Inlet
20	99-8329	1	Gasket-Manifold, Intake
30	98-7568	3	Bolt
40	107-9073	1	Bolt
50	99-8320	2	Bolt
60	115-3047	1	Hose-Inlet
70	115-3048	1	Clamp-Hose
80	115-3049	1	Clamp-Hose
90	108-1411	1	Manifold-Exhaust
100	99-8327	1	Gasket-Manifold, Exhaust
110	98-9588	6	Stud
120	98-9665	6	Nut



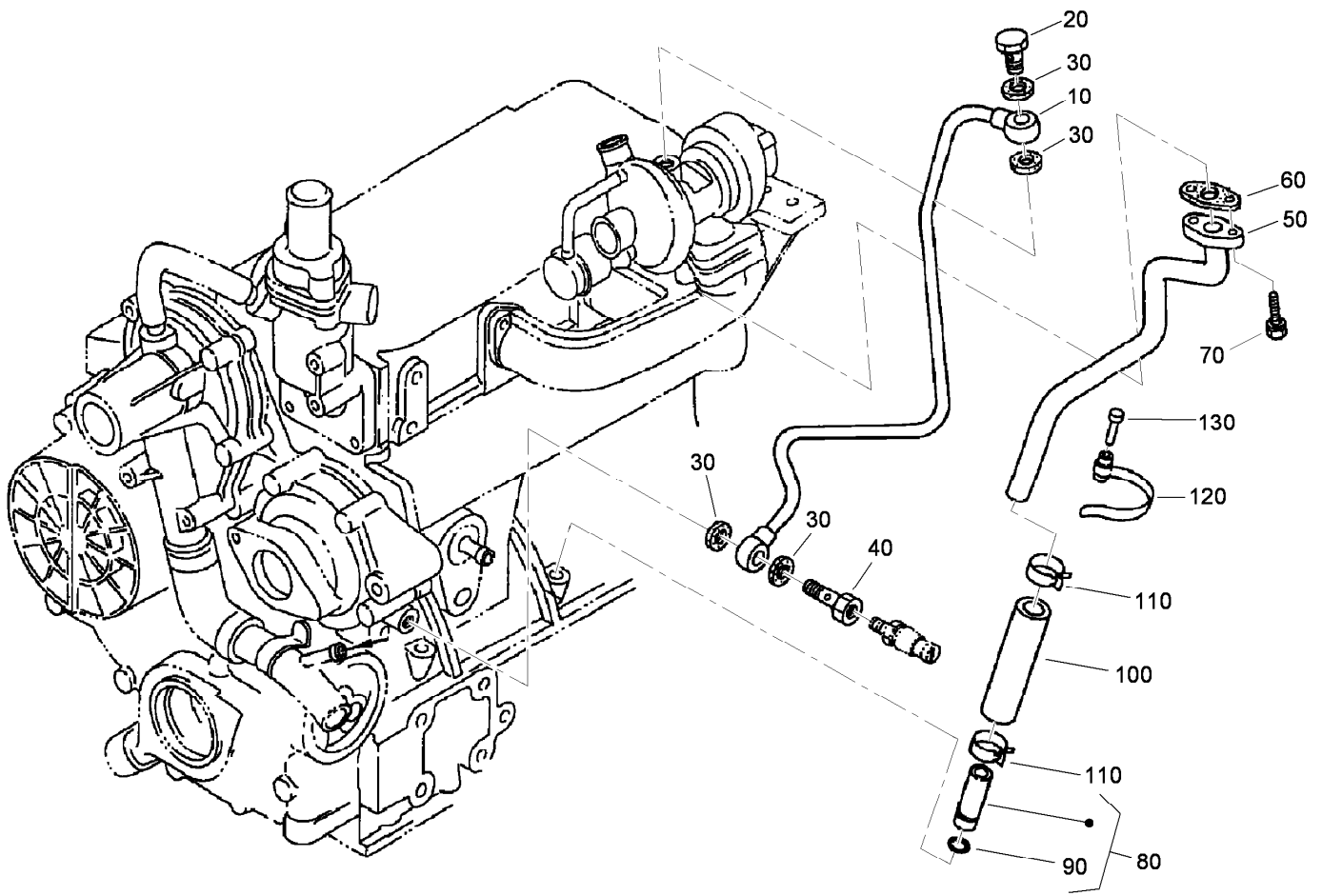
## Valve and Rocker Arm Assembly

<i>Ref.</i>	<i>Part Number</i>	<i>Qty.</i>	<i>Description</i>
10	112-7018	3	Valve-Inlet
20	112-7019	3	Valve-Exhaust
30	98-9626	6	Spring-Valve
40	107-9092	6	Retainer-Spring
50	98-9390	6	Collet-Spring, Valve
60	99-8385	6	Seal-Stem, Valve
70	98-9497	6	Cap-Valve
80	105-3790	1	R-Arm Shaft ASM
90	100-9265	2	Bolt
100	98-9505	3	Bracket-Arm, Rocker
110	105-3758	1	Pin-Spring
120	98-9507	2	Washer-Shaft, R-Arm
130	110-3832	2	Washer-Plain
140	98-9504	2	Spring-Arm, Rocker
160	112-7020	6	Rocker Arm ASM
170	98-9502	6	Screw-Adjusting
180	98-9503	6	Nut
190	98-9506	3	Stud
200	98-9393	3	Nut
210	98-9385	3	Washer-Flat



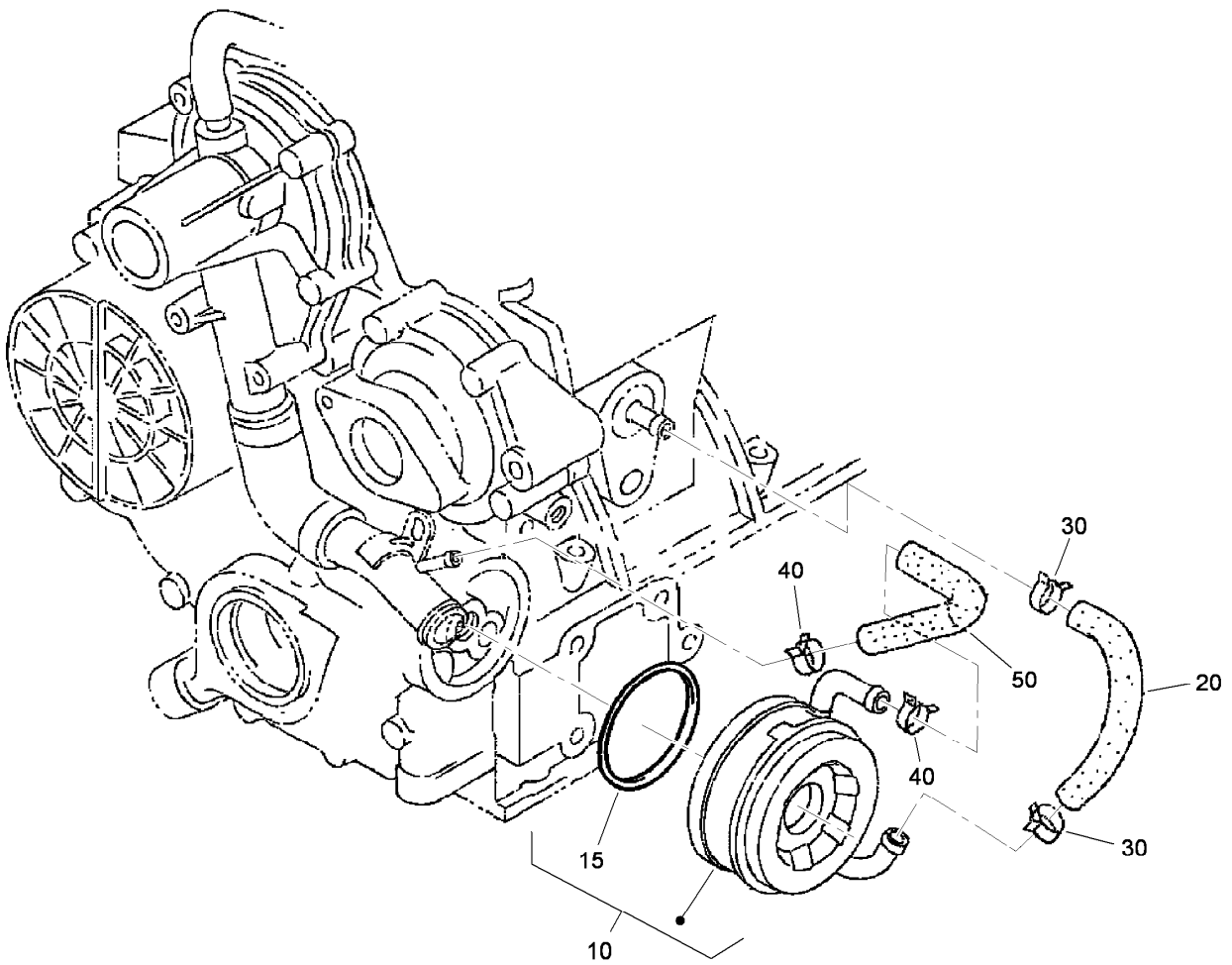
## Turbo Charger Assembly

<i>Ref.</i>	<i>Part Number</i>	<i>Qty.</i>	<i>Description</i>
10	108-1412	1	Turbo Charger ASM
15	108-1413	1	Hose ASM
17	108-1414	2	Clamp-Hose
20	105-3767	1	Gasket
30	98-7534	3	Nut
40	105-2893	3	Washer-Spring
50	99-8335	1	Flange-Muffler
60	105-3768	1	Gasket
70	115-4100	3	Bolt
80	105-2895	1	Bolt
90	98-7610	2	Bolt
100	99-8342	3	Stud
110	98-7769	4	Stud
120	115-4101	1	Tube-Inlet, Turbo
130	115-4102	2	Band
140	115-4103	1	Pipe-Inlet, Breather



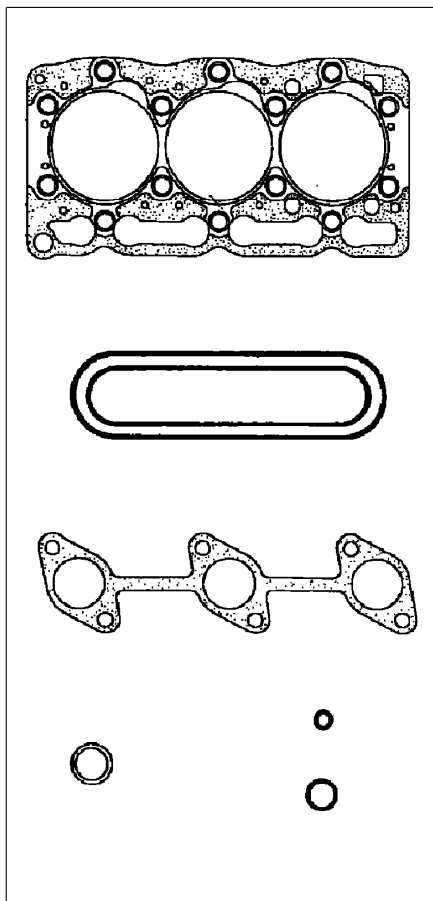
## Turbo Charger Oil Pipe Assembly

<i>Ref.</i>	<i>Part Number</i>	<i>Qty.</i>	<i>Description</i>
10	98-9419	1	Oil Pipe ASM
20	98-9418	1	Bolt-Joint, Eye
30	99-8346	4	Gasket
40	98-9417	1	Bolt-Joint, Eye
50	98-9461	1	Pipe Line ASM
60	108-4422	1	Gasket
70	98-7605	2	Bolt
80	99-8383	1	Oil Pipe ASM
90	98-9722	1	O-Ring
100	98-9721	1	Pipe-Oil
110	98-9714	2	Clamp-Hose
120	98-9601	1	Clamp-Pipe
130	98-9591	1	Pin-Band



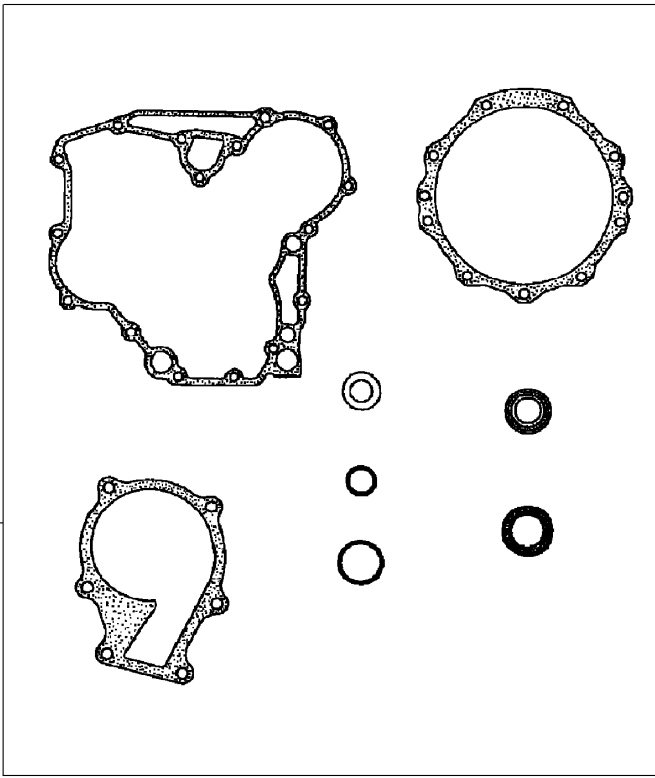
## Oil Cooler Assembly

<i>Ref.</i>	<i>Part Number</i>	<i>Qty.</i>	<i>Description</i>
10	104-5158	1	Oil Cooler ASM
15	112-7030	1	O-Ring
20	98-9724	1	Pipe-Cooler, Oil
30	98-9579	2	Band-Pipe
40	98-9579	2	Band-Pipe
50	98-9578	1	Pipe-Return, Water



10 }  
20  
}  
170

190  
}  
330 } 180

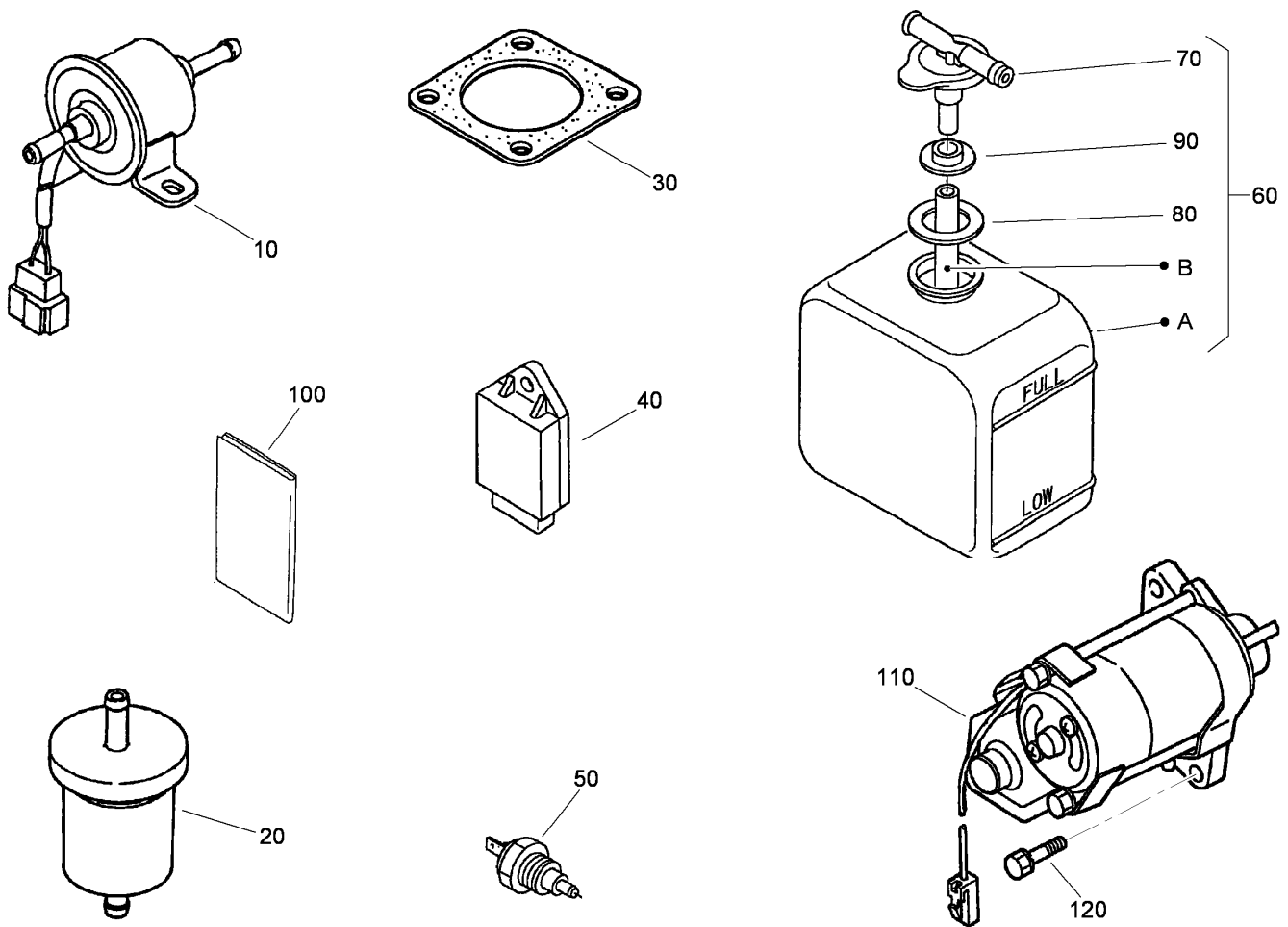


## Gasket Kit

Ref.	Part Number	Qty.	Description
10	108-1415	1	Upper Gasket Kit
20	108-6573	1	Gasket-Head, Cylinder ●
40	99-8329	1	Gasket-Manifold, Intake ●
50	105-3767	1	Gasket ●
60	105-3768	1	Gasket ●
70	99-8327	1	Gasket-Manifold, Exhaust ●
80	99-8385	6	Seal-Stem, Valve ●
90	98-9615	1	Gasket-Cover, Head ●
100	98-9454	3	Gasket ●
110	99-3446	1	O-Ring ●
120	99-8346	4	Gasket ●
130	108-4422	1	Gasket ●
140	98-9722	1	O-Ring ●
150	98-9638	1	Gasket-Flange, Water ●
160	105-3748	1	Gasket-Thermostat ●
170	99-8343	1	Gasket-Muffler ●
180	112-7041	1	Lower Gasket Kit

Ref.	Part Number	Qty.	Description
190	98-9632	1	Gasket-Pump, Water ●
200	98-9633	1	Gasket-Case, Gear ●
210	105-3781	2	O-Ring ●
220	105-3777	2	O-Ring ●
230	98-9634	1	Gasket-Case, Bearing ●
240	98-9635	1	Gasket-Cover, Bearing Case ●
250	105-3783	1	O-Ring ●
260	105-3776	1	O-Ring ●
270	98-9729	1	O-Ring ●
280	98-9636	1	Gasket-Pump, Fuel ●
290	98-9682	1	Gasket ●
300	105-3788	1	O-Ring ●
310	98-7601	1	Seal-Oil ●
320	98-9637	1	Gasket ●
330	98-9683	1	Gasket-Cover, Solenoid ●

● Not illustrated



## Electric Fuel Pump, Fuel Filter, Starter and Overflow Bottle Assemblies

<i>Ref.</i>	<i>Part Number</i>	<i>Qty.</i>	<i>Description</i>
10	107-0122	1	Pump-Fuel, Electric
20	98-7612	1	Filter-Fuel
30	99-8343	1	Gasket-Muffler
40	98-7611	1	Controller-Glow
50	98-9719	1	Thermoswitch
60	108-0638	1	Bottle-Overflow
70	105-3754	1	Cap
80	105-3755	1	Gasket
90	105-3756	1	Plate
100	115-4104	1	Operator Manual
110	98-9705	1	Starter ASM
120	98-7697	2	Bolt



# Attachments and Accessories

## For 30465 Groundsmaster 7210 Traction Unit with 62in Rotary Mower

Product Name	Model/Part
Tooth Rake .....	08751
Finish Grader .....	08754
Drag Mat Carrier System .....	08756
Steel Drag Mat .....	08757
Coco Drag Mat .....	08758
Tire-Lug (24 X 12 - 12) .....	103-6771
Bahiagrass Baffle Kit .....	105-7269
Blade-Belt Kit .....	105-7270
Striping Kit .....	105-7273
Yellow Hydraulic Cap .....	107-1576
Green Diesel Cap .....	107-2172
Premium Transmission/Hydraulic Tractor Fluid (55 Gallon Drum) .....	108-1183
Premium Transmission/Hydraulic Tractor Fluid (5 Gallon Pail) .....	108-1184
Leaf Mulching Kit .....	108-5273
Wheel and Tire ASM (Semi Pneumatic) .....	110-6406
Spark Arrestor Kit .....	112-1688
Slow Moving Vehicle Kit .....	114-4050
5in Air Cleaner Safety Element .....	114-4057
Weight Mount Bracket Kit .....	114-4090
42-pound Weight, For Kit 114-4090 .....	114-4096
60-Amp Alternator Kit, Kubota 05 Series-Powered Traction Unit .....	117-5540
Overflow Tank Kit .....	117-5570
Fender Kit .....	117-9170
Roll-Over Protection Kit .....	117-9179
CE Kit .....	117-9248
CE Kit, Grass Collection System .....	117-9249
Brake Service Kit .....	120-0015
Premium Engine Oil 15w40 (55 Gallon Drum) .....	121-6394
Premium Engine Oil 15w40 (5 Gallon Pail) .....	121-6395
400-hour Filter Maintenance Kit .....	30052
Universal Sunshade .....	30349
Polar Trac Kit .....	30370
Polar Trac Cab .....	30371
North American Road Light Kit .....	30374
Rear Quick Attach System .....	30377
V-Plow Mounting Kit .....	30378
Auxiliary Hydraulic Power Kit .....	30380
Auxiliary Power Unit .....	30382
CE Kit .....	30392
Debris Blower .....	30393
Grass Collection System .....	30460
48in V-Plow .....	30750

**Notes:**

**Notes:**



**Count on it.**