



# Basket Horn Kit

Greensmaster® 3300/3400 Series TriFlex™ Traction Unit

Model No. 120-2790

## Installation Instructions

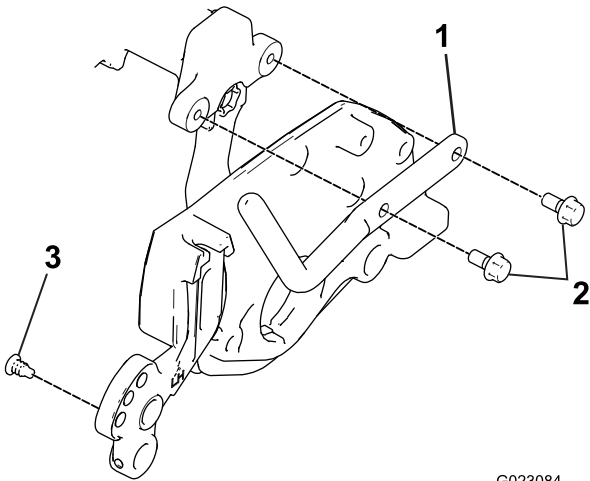
### ▲ WARNING

#### CALIFORNIA Proposition 65 Warning

This product contains a chemical or chemicals known to the State of California to cause cancer, birth defects, or reproductive harm.

## Installing the Basket Horns

1. Remove the 6 existing basket horns and 12 bolts securing them from the 3 cutting units. Save the bolts.
2. Install the new basket horns using the bolts removed in step 1 as shown in Figure 1.



G023084

**Figure 1**

- |                               |         |
|-------------------------------|---------|
| 1. Basket horn                | 3. Plug |
| 2. Bolts (removed previously) |         |

3. If you have groomers installed on the cutting units, install the plastic plugs into the lower, groomer-mounting holes as shown in Figure 1.

**Important:** If you have a groomer installed in the lower, mounting hole, you must move it to the upper or middle, mounting holes to use this kit; refer to your *Groomer Installation Instructions* for more information.

