



Count on it.

Parts Catalog

Power Max 724 OE Snowthrower

Model No. 38810—Serial No. 314000001 and Up



Ordering Replacement Parts

To order replacement parts, please supply the part number, the quantity, and the description of each part desired.

Understanding Reference Numbers

Each identified part in an illustration has a reference number. The reference number for a part also appears in the parts list, along with other information about the part.

This catalog uses two special reference number formats, one to indicate parts in a service assembly and another to indicate the quantity of a given part in an illustration.

Service Assembly Reference Numbers

Parts in service assemblies have reference numbers in the form a:b. The a represents the reference number of the entire service assembly and the b represents a sequential number unique to each part within the service assembly.

For example, a wheel assembly might be identified by reference number 6, the tire by 6:1, the valve by 6:2, and the wheel by 6:3. When you order the assembly identified by reference number 6, you receive all parts identified by reference numbers 6:1, 6:2, and 6:3. However, you may also order any part individually. Reference numbers of this type appear in illustration and in parts lists.

Reference Numbers Indicating Quantity

In an illustration, if a reference number indicates more than one part, the reference number has the form nX y. The n represents the quantity of the part, the X is the multiplication symbol, and the y represents the reference number.

For example, in an illustration, the reference number 2X 37 means that two of the parts identified by reference number 37 are indicated.

List of Abbreviations

AR: as required

ASM: assembly

BBC: blade brake control

BHTF: button head thread forming

CARR: carriage

CCW: counter clockwise

CW: clockwise

DEG: degrees

DPA: Dual Point Adjustment

ECM: electronic control module

EXT: external

FH: flat head

GA: gauge

HD: heavy-duty

HF: hex flange

HH: hex head

HHF: hex head flange

HHFTF: hex head flange thread forming

HJ: hex jam

HLH: hex lag head

HOC: height-of-cut

HSBH: hex socket button head

HSFH: hex socket flat head

HSH: hex socket head

HWH: hex washer head

HWHTF: hex washer head thread forming

HYD: hydraulic

LH: left hand

LP: Liquefied Petroleum Gas

LPG: Liquefied Petroleum Gas

NI: nylon insert

NPTF: national pipe thread fine

PFH: phillips flat head

PPH: phillips pan head

PPHTF: phillips pan head thread forming

PRH: phillips round head

PTH: phillips truss head

PTO: power-take-off

RH: right hand

ROPS: roll-over protection system

RRB: rear roller brush

SFH: slotted fillister head

SHH: slotted hex head

SHWH: slotted hex washer head

SPH: slotted pan head

SQH: square head

SRH: slotted round head

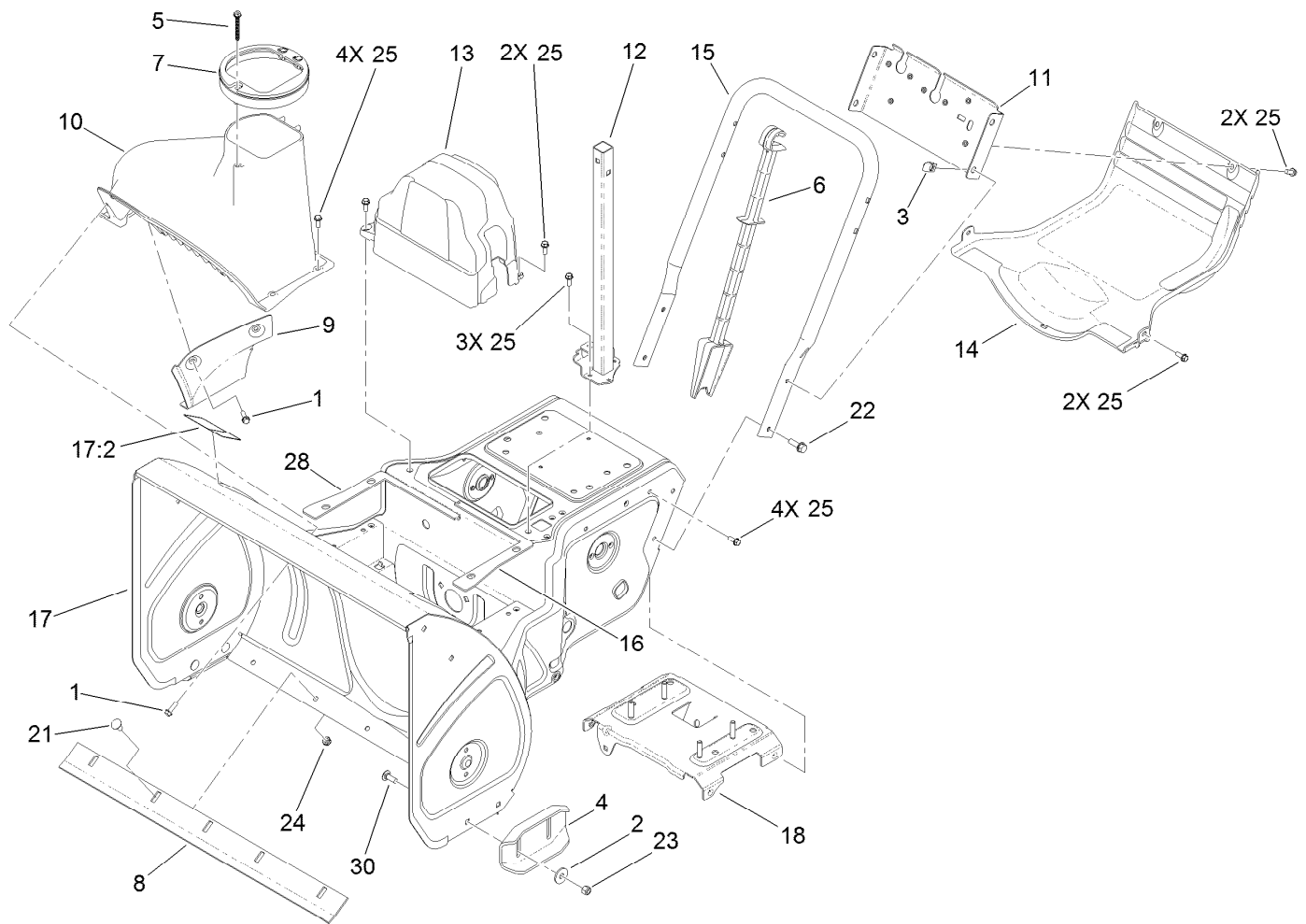
STD: standard

TAP: self tapping

TTH: torx truss head

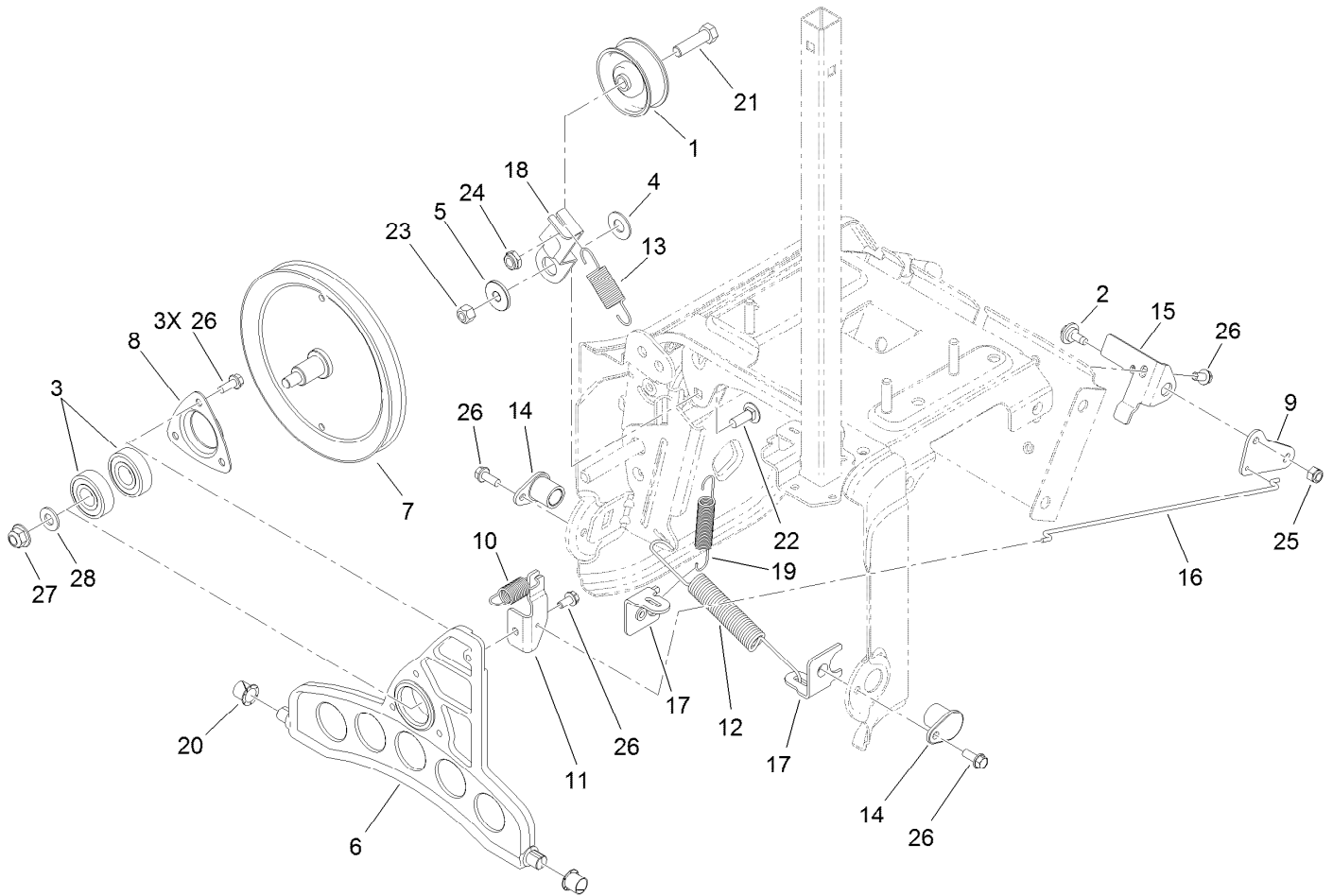
Contents

Frame, Housing and Bypass Assembly	4
Pulleys and Bellcrank Assembly	5
Impeller Drive Assembly	6
Drive Assembly	7
Gearbox, Auger and Impeller Assembly	8
24 Inch Auger Gearcase Assembly No. 120-3859	9
Impeller Assembly	10
Engine Assembly	11
Chute Assembly	12
Handle Assembly	13
Control Assembly	14
Quick Lever Assembly	15
Attachments and Accessories	16



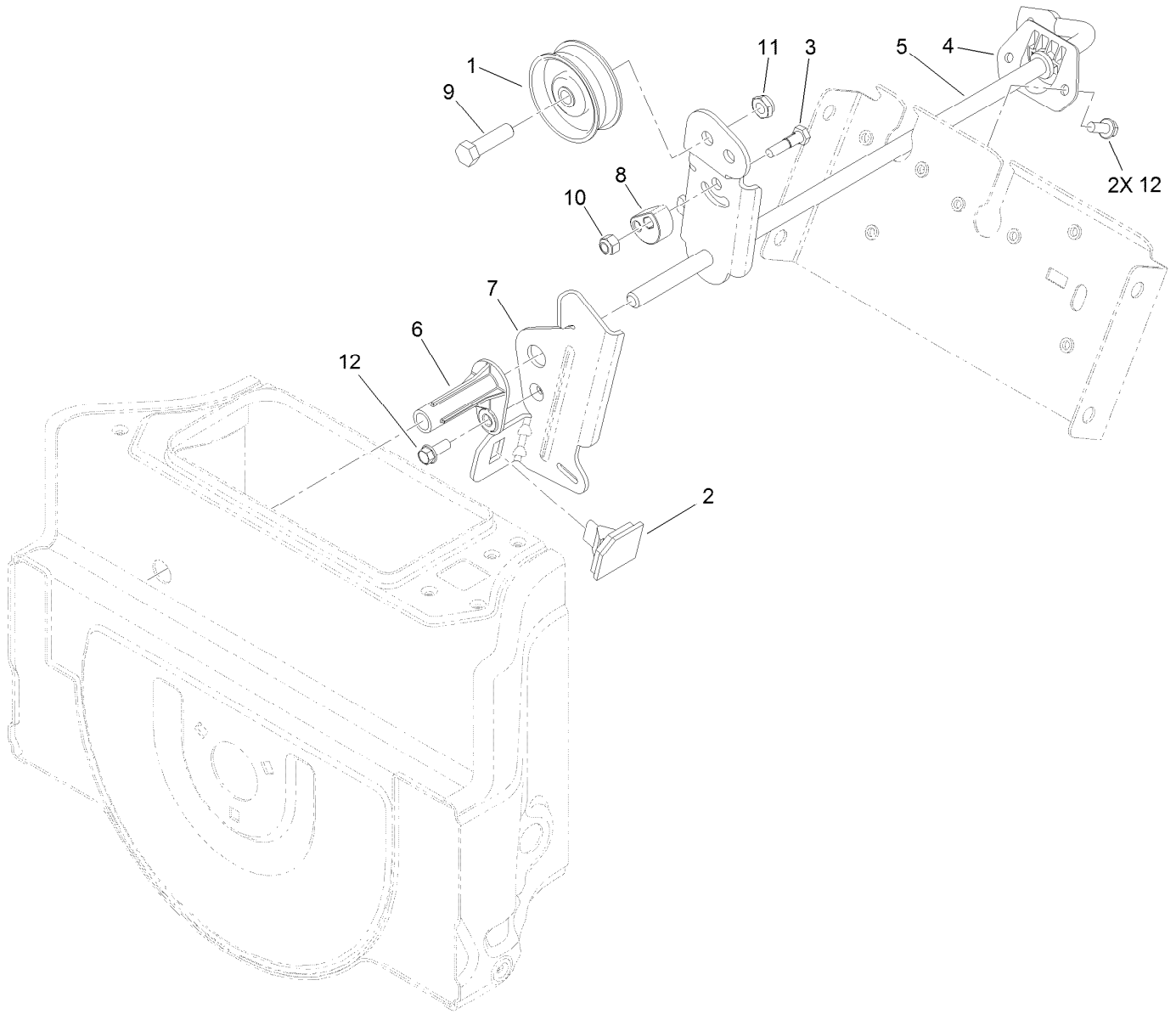
Frame, Housing and Bypass Assembly

<i>Ref.</i>	<i>Part Number</i>	<i>Qty.</i>	<i>Description</i>	<i>Ref.</i>	<i>Part Number</i>	<i>Qty.</i>	<i>Description</i>
1	46-8091	6	Screw-HWH	14	120-7178	1	Cover-Lower
2	52-2861	4	Washer	15	120-7179-03	1	Handle-Lower
3	94-2413	4	U-Nut	16	120-7181	1	Seal-Housing, LH
4	106-4588-01	2	Skid	17	121-6810	1	Frame ASM
5	114-3751	1	Screw-HWH, Plastite	17:2	121-6817	1	Decal-Danger, Auger
6	121-6833	1	Stick-Cleanout	18	121-1218	1	Engine Stud Plate ASM
7	119-7626	1	Guide-Chute	21	3230-18	5	Screw-CARR
8	119-7601-01	1	Scraper-24 Inch	22	3234-29	4	Screw-HHF
9	120-7158-01	1	Cover-Liner	23	3296-29	4	Nut-Lock, NI
10	120-7159	1	Cover	24	3296-47	5	Nut-Lock, NI
11	120-7161-01	1	Brace-Frame	25	32144-85	17	Screw-HWH
12	120-7170-03	1	Chute Support ASM	28	121-6841	1	Seal-Housing, RH
13	120-7177	1	Cover-Belt	30	3230-23	4	Screw-CARR



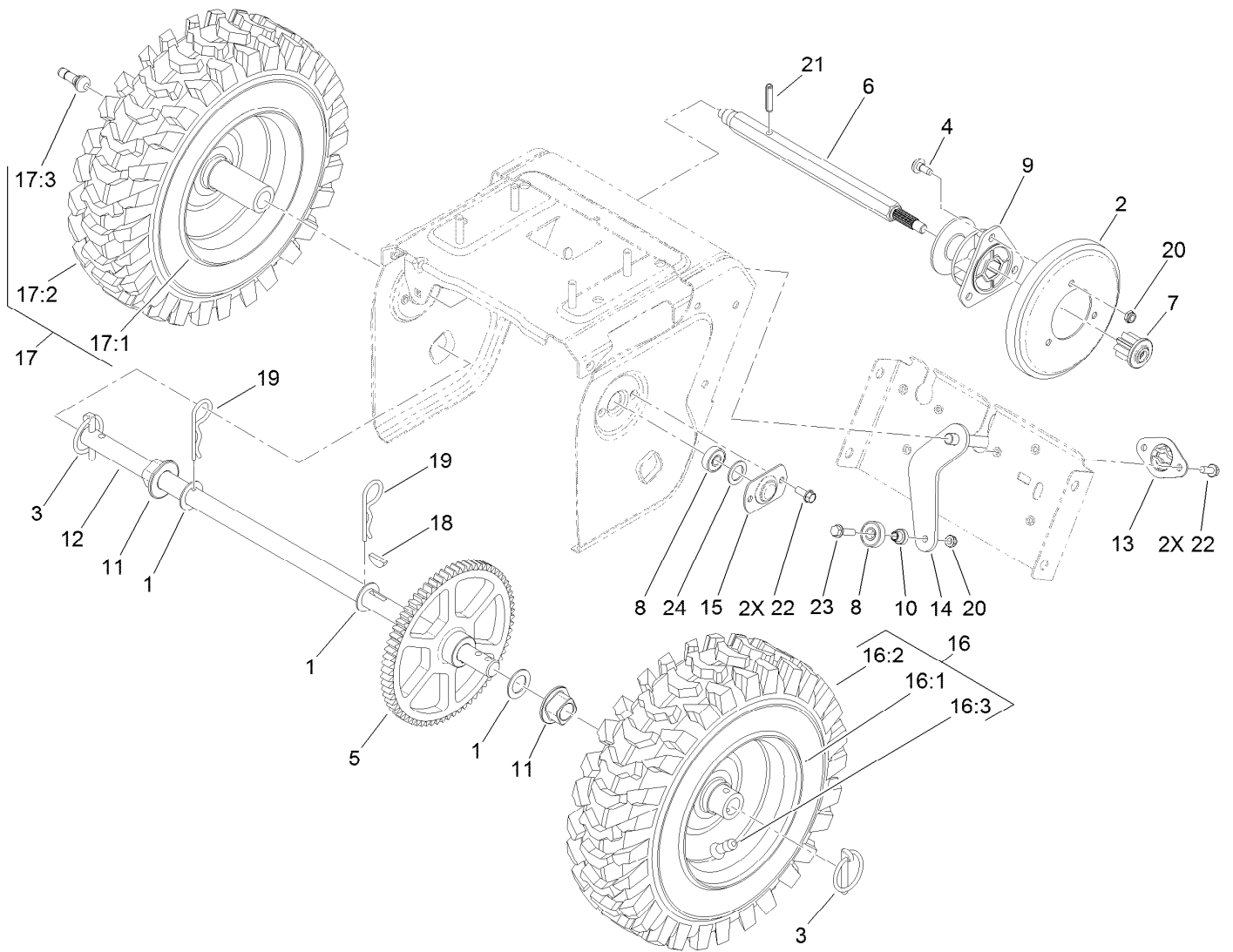
Pulleys and Bellcrank Assembly

<i>Ref.</i>	<i>Part Number</i>	<i>Qty.</i>	<i>Description</i>	<i>Ref.</i>	<i>Part Number</i>	<i>Qty.</i>	<i>Description</i>
1	3-4244	1	Pulley-Idler	15	120-7165-03	1	Bracket-Bellcrank
2	92-9698	1	Screw-Shoulder	16	120-7166	1	Link-Drive
3	100-1048	2	Bearing-Ball	17	120-9271	2	Bracket-Anchor, Spring
4	25-5640	1	Washer	18	120-9273	1	Arm-Idler, Traction
5	117-7711	1	Bushing-Idler	19	120-9275	1	Spring-Extension
6	119-7645	1	Plate-Wheel, Friction	20	256-257	2	Bushing-Nyliner
7	119-7648	1	Traction Pulley ASM	21	323-29	1	Screw-HH
8	119-7649	1	Retainer-Bearing	22	3230-10	1	Screw-CARR
9	119-7670-03	1	Bellcrank-Drive	23	3296-29	1	Nut-Lock, NI
10	119-7676	1	Spring-Extension	24	3296-59	1	Nut-Lock, NI
11	119-7679	1	Bracket-Plate, Traction	25	3296-73	1	Nut-Lock, NI
12	120-3883	1	Spring-Extension	26	32144-85	7	Screw-HWH
13	120-3888	1	Spring-Extension	27	104-8301	1	Nut-Flange, NI
14	120-7156	2	Bushing-Plate, Traction	28	3256-24	1	Washer-Flat



Impeller Drive Assembly

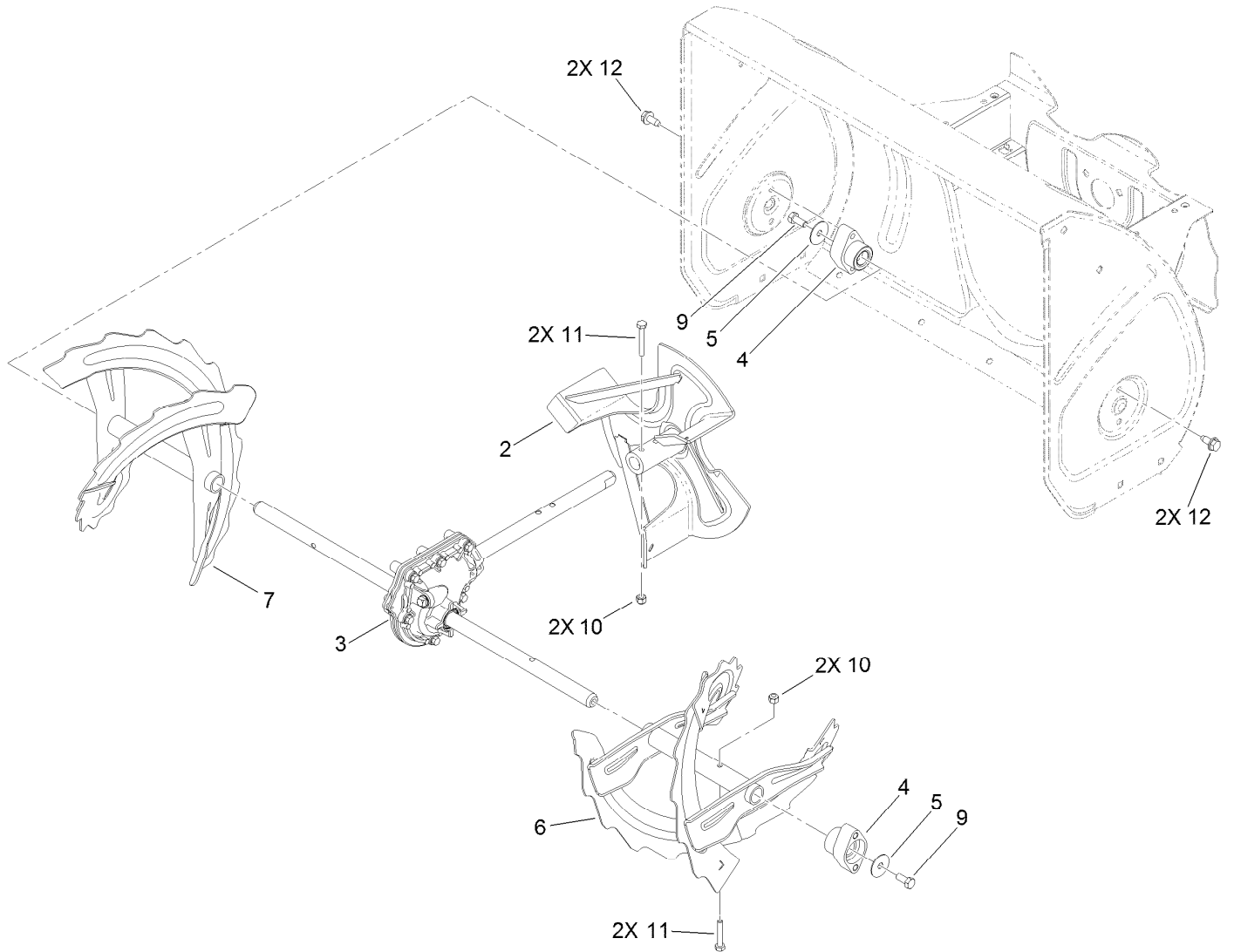
<i>Ref.</i>	<i>Part Number</i>	<i>Qty.</i>	<i>Description</i>
1	3-4244	1	Pulley-Idler
2	66-8060	1	Pad-Brake
3	119-3301	1	Bolt-Pivot, Eccentric
4	120-7167	1	Bushing-Rod, Clutch
5	120-9254-03	1	Impeller Clutch ASM
6	120-9256	1	Pivot-Brake, Impeller
7	120-9257-03	1	Arm-Brake, Impeller
8	120-9276	1	Eccentric-Brake, Impeller
9	323-29	1	Screw-HH
10	3296-42	1	Nut-Lock, NI
11	3296-59	1	Nut-Lock, NI
12	32144-85	3	Screw-HWH



Drive Assembly

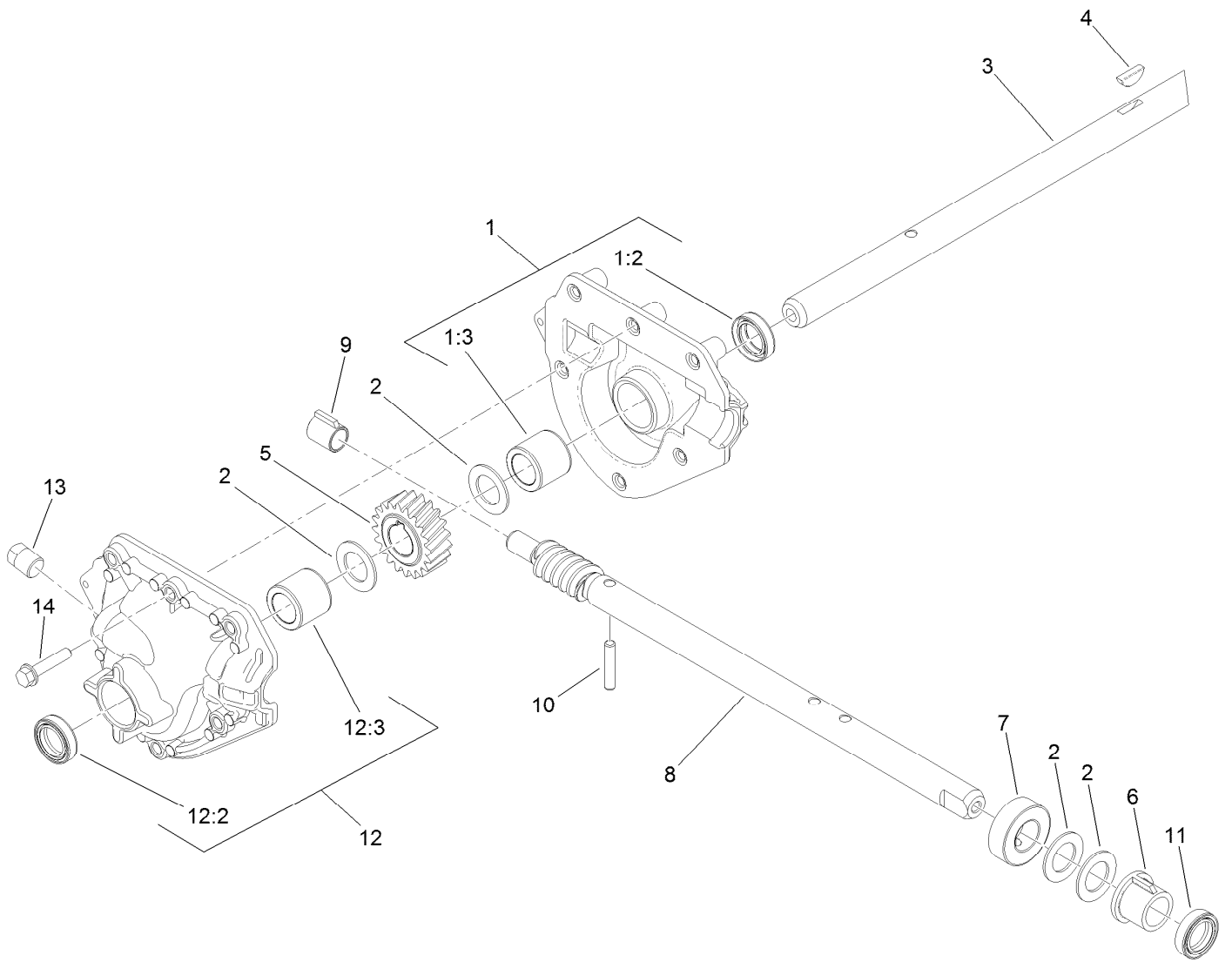
Ref.	Part Number	Qty.	Description	Ref.	Part Number	Qty.	Description
1	3-8664	3	Washer-Thrust	16		1	LH Wheel And Tire ASM ●
2	119-1567	1	Wheel-Friction	16:1	121-1212	1	Wheel
3	107-3039	2	Klik Pin ASM	16:2	121-6820	1	Tire
4	120-7950	3	Screw-Shoulder	16:3	232-27	1	Stem-Valve
5	119-7613	1	Gear-Axle	17		1	RH Wheel And Tire ASM ●
6	119-7615	1	Shaft-Hex	17:1	121-1212	1	Wheel
7	119-7616	1	Gear-Pinion, 8 Tooth	17:2	121-6820	1	Tire
8	121-6835	3	Bearing-Ball, 10Mm	17:3	232-27	1	Stem-Valve
9	119-7630	1	Trunnion	18	3257-7	1	Key-Woodruff
10	119-7684	1	Spacer-Plate, Shift	19	3290-343	2	Pin-Hair
11	120-7162	2	Bushing-Axle	20	3296-56	4	Nut-Lock, NI
12	120-7180	1	Axle	21	32121-9	1	Pin-Roll, Slotted
13	120-7191	1	Retainer-Plate, Shift	22	32144-85	6	Screw-HWH
14	120-7193-03	1	Shift Plate ASM	23	32144-86	1	Screw-HWHTF
15	120-9266	2	Retainer-Bearing, 10Mm	24	121-6840	2	Washer-Rubber

● Not serviced separately



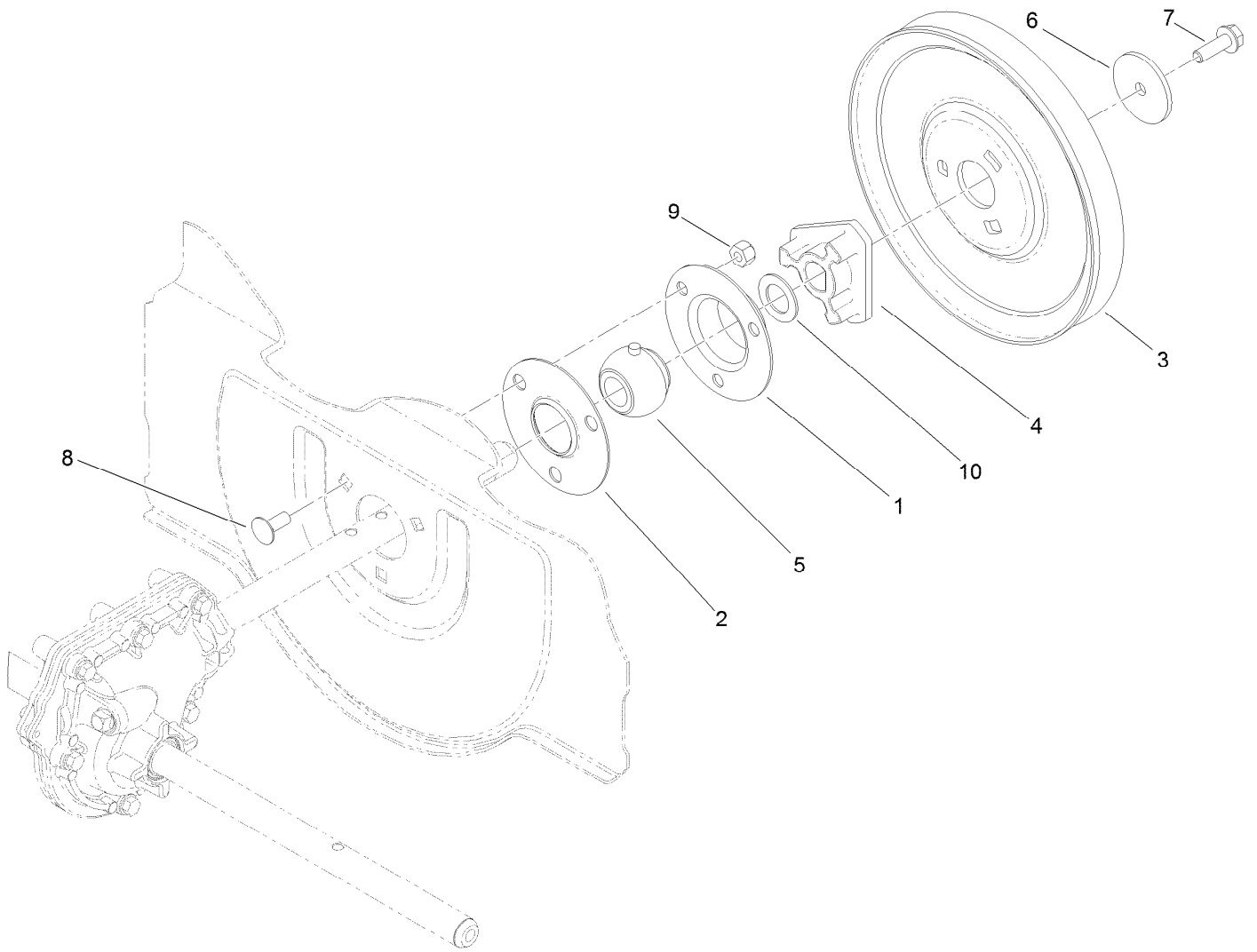
Gearbox, Auger and Impeller Assembly

Ref.	Part Number	Qty.	Description
2	119-7612-03	1	Impeller ASM
3	120-3859	1	Gearcase ASM
4	120-3860	2	Bearing-Auger
5	120-3862	2	Washer-Thrust
6	120-9287-03	1	LH Auger ASM
7	120-9290-03	1	RH Auger ASM
9	322-3	2	Screw-HH
10	3296-42	4	Nut-Lock, NI
11	321-10	4	Screw-HH
12	32144-70	4	Screw-HWHTF



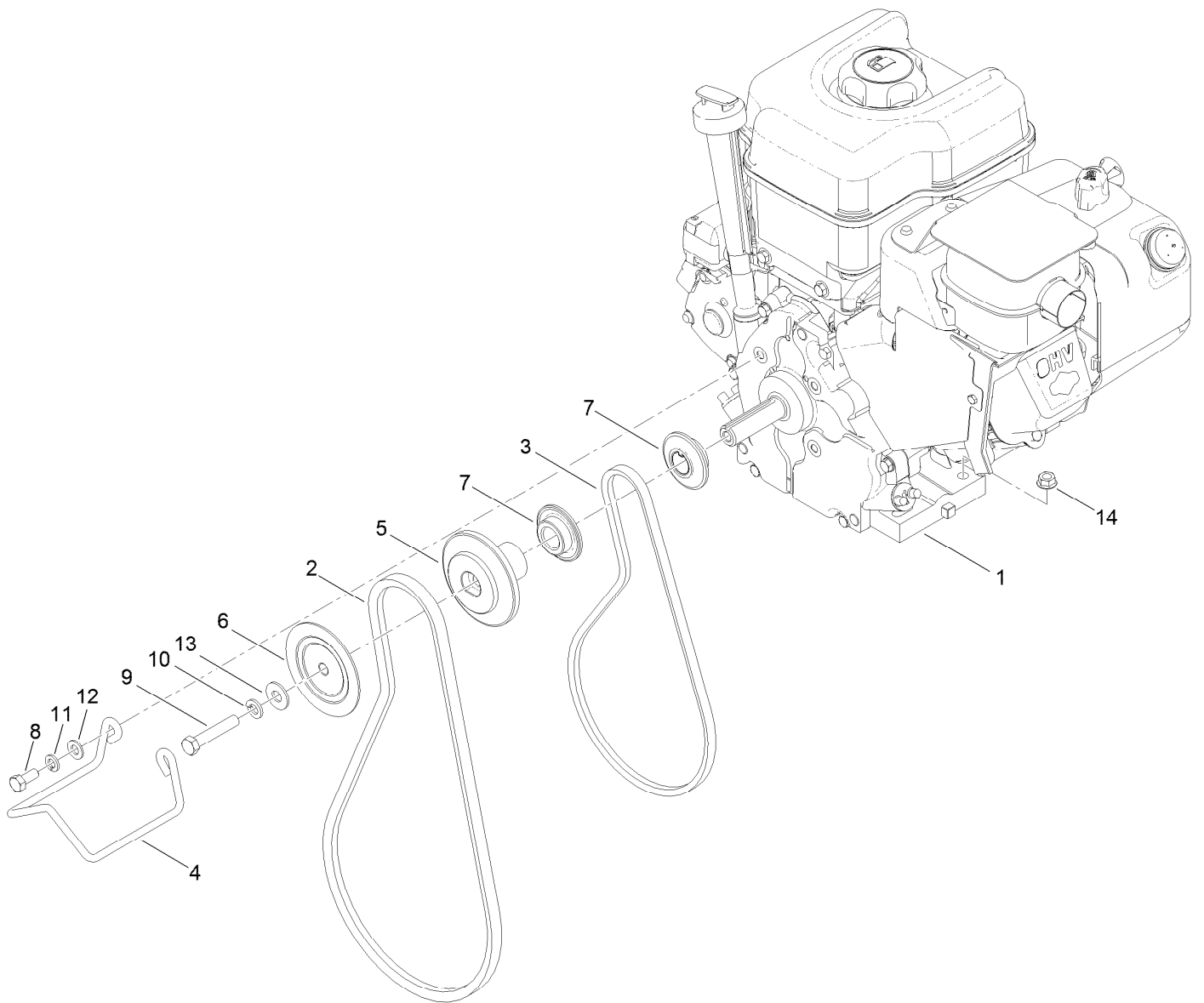
24 Inch Auger Gearcase Assembly No. 120-3859

<i>Ref.</i>	<i>Part Number</i>	<i>Qty.</i>	<i>Description</i>	<i>Ref.</i>	<i>Part Number</i>	<i>Qty.</i>	<i>Description</i>
1	121-1209	1	RH Auger Gearcase ASM	8	121-1234	1	Shaft-Impeller, Rolled
1:2	121-6634	1	Seal-Shaft	9	62-1150	1	Bushing-Worm
1:3	120-9269	1	Bushing-Sleeve	10	107-8899	1	Pin-Dowel
2	119-7640	4	Washer-Thrust	11	121-6634	1	Seal-Shaft
3	120-3858	1	Shaft-Output, Auger	12	121-1210	1	LH Auger Gearcase ASM
4	3257-5	1	Key-Woodruff	12:2	121-6634	1	Seal-Shaft
5	119-1576	1	Gear-Helical, 20 Tooth	12:3	120-9269	1	Bushing-Sleeve
6	119-7635	1	Bushing-Input	13	121-6832	1	Plug-Pipe, SQH
7	119-7636	1	Collar-Thrust	14	108-4862	6	Screw-HWHTF



Impeller Assembly

Ref.	Part Number	Qty.	Description
1	26-6110	1	Flange-Cup, Bearing
2	26-6120	1	Flange-Cup, Bearing
3	120-9263	1	Pulley-Impeller
4	120-9264	1	Hub-Impeller, Pulley
5	120-9272	1	Bearing
6	121-1230	1	Washer-Plain
7	115-5142	1	Screw-HHF
8	3230-23	3	Screw-CARR
9	3296-29	3	Nut-Lock, NI
10	119-7640	1	Washer-Thrust

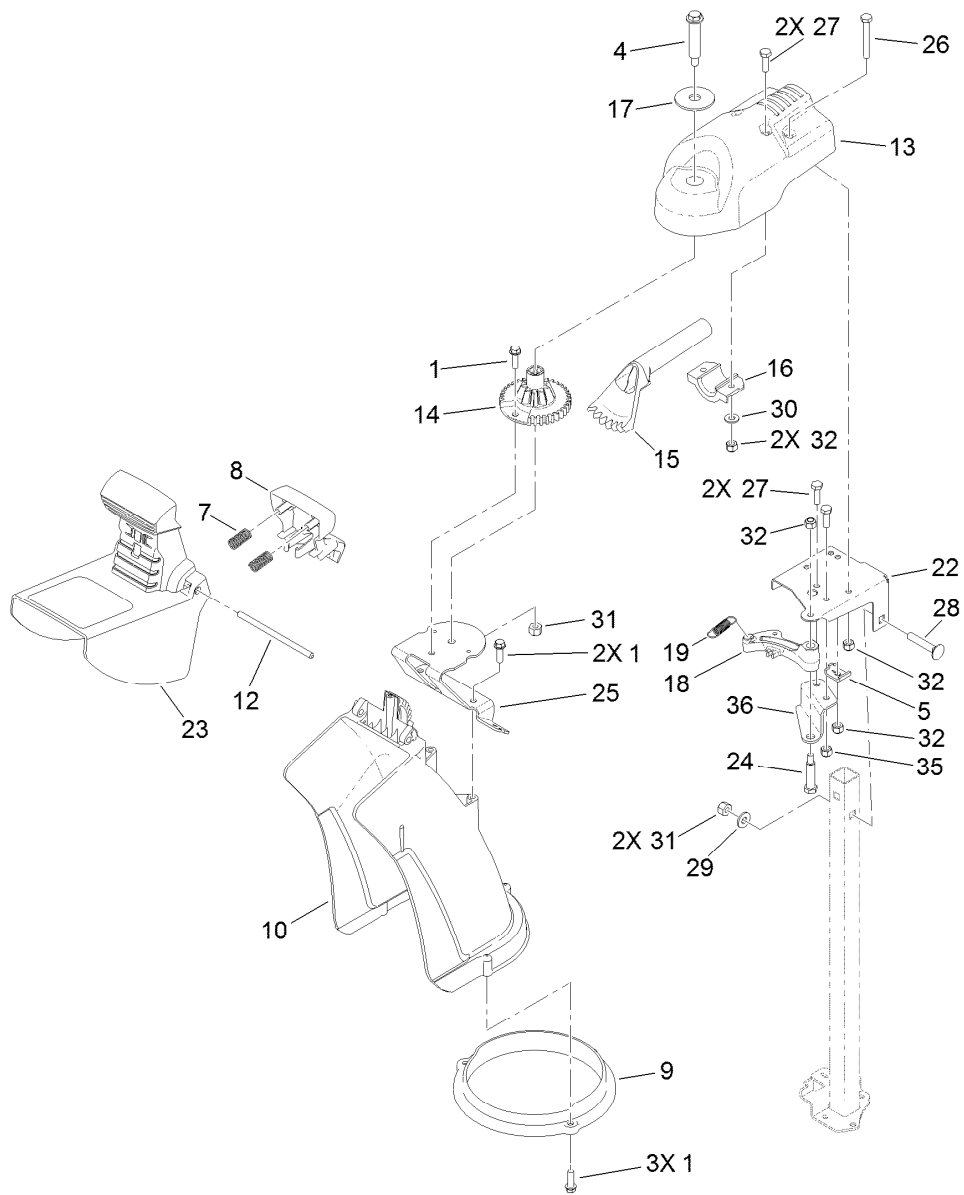


Engine Assembly

Ref.	Part Number	Qty.	Description
1		1	Engine-Briggs, 12D1050171F8 ●■
2	120-3892	1	Belt-V
3	120-3893	1	Belt-V
4	120-7196	1	Guide-Belt
5	120-9283	1	Pulley-Auger, Rear
6	120-9284	1	Pulley-Auger, Front
7	121-6804	2	Pulley-Traction
8	3210-3	2	Screw-HH
9	120-2302	1	Screw - HH
10	3253-21	1	Washer-Lock
11	3253-4	2	Washer-Lock
12	3256-23	2	Washer-Flat
13	3256-4	1	Washer-Flat
14	32128-20	4	Nut-HF

● Not serviced separately

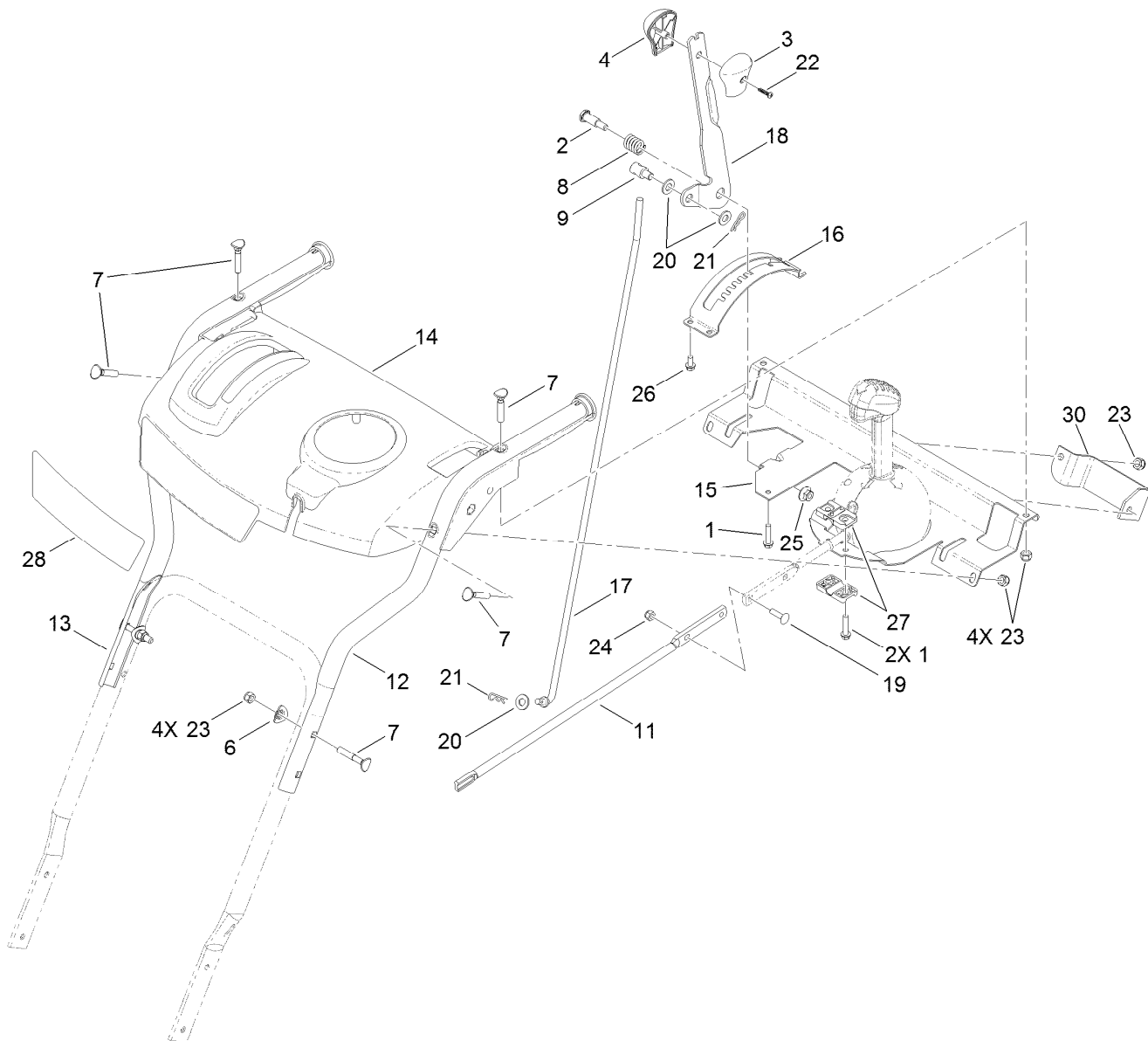
■ Obtain parts from www.briggsandstratton.com



Chute Assembly

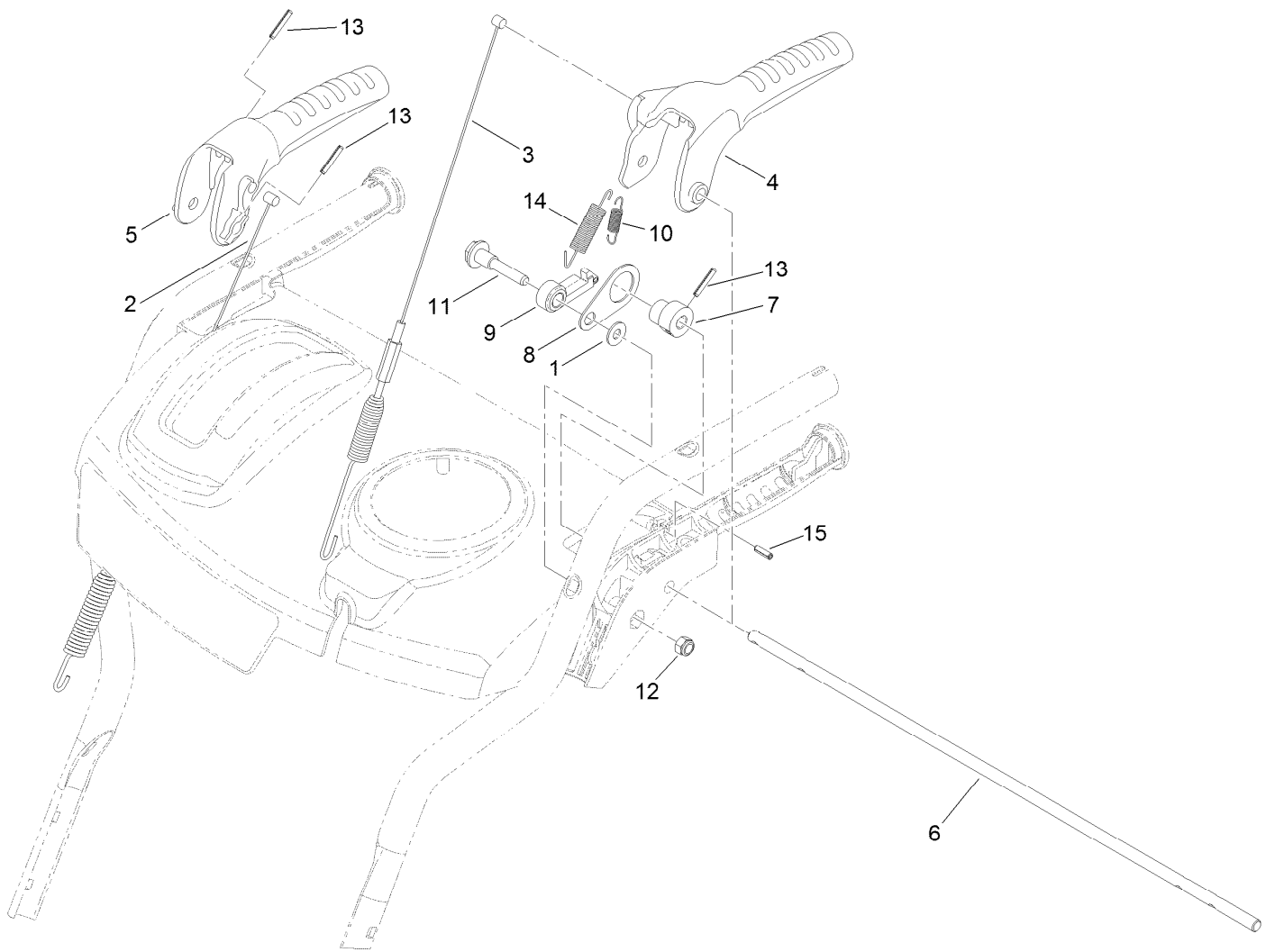
Ref.	Part Number	Qty.	Description
1	46-8091	6	Screw-HWH
4	100-9880	1	Bolt-Shoulder
5	106-7297	1	Clamp-Cable
7	110-9360	2	Spring-Compression
8	117-2314	1	Trigger-Deflector
9	119-7627	1	Ring-Chute
10	119-7628	1	Chute-Discharge
12	99-5291	1	Rod-Cover
13	120-3852	1	Mount-Chute, Discharge
14	120-3853	1	Gear-Chute
15	120-3854	1	Gear-Bevel
16	120-3855	1	Mount-Gear, Bevel
17	120-3856	1	Washer-Flat
18	120-3869	1	Latch-Chute

Ref.	Part Number	Qty.	Description
19	120-7150	1	Spring-Latch, Chute
22	121-1207-03	1	Bracket-Support, Chute
23	119-7629	1	Deflector-Chute
24	121-1229	1	Bolt-Shoulder
25	121-1237-03	1	Bracket-Mount, Chute
26	321-11	3	Screw-HH
27	321-5	4	Screw-HH
28	3230-5	2	Screw-CARR
29	3256-2	2	Washer-Flat
30	3256-22	2	Washer-Flat
31	3296-29	3	Nut-Lock, NI
32	3296-42	5	Nut-Lock, NI
35	3296-42	2	Nut-Lock, NI
36	121-6843	1	Bracket-Support, Latch



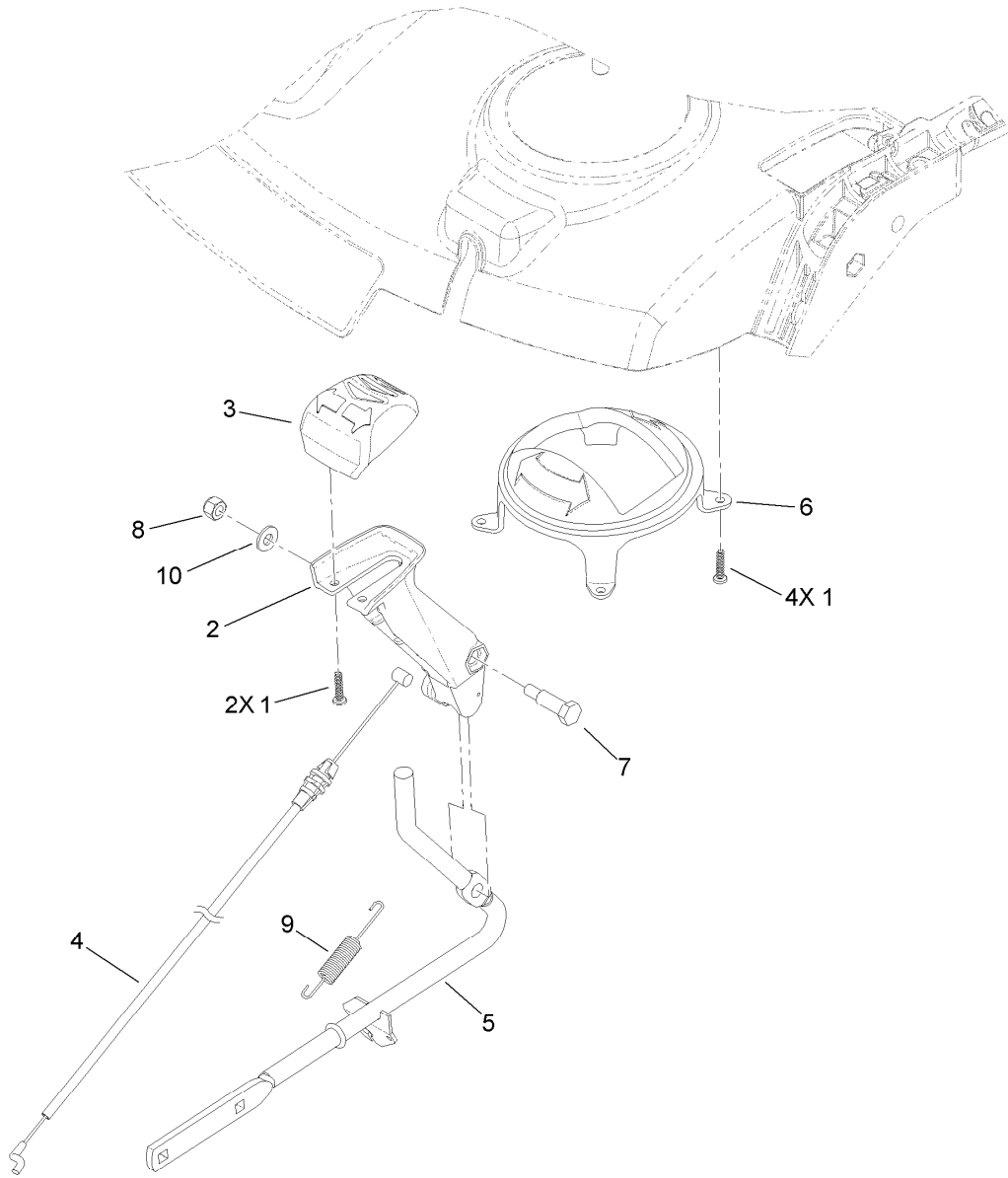
Handle Assembly

Ref.	Part Number	Qty.	Description	Ref.	Part Number	Qty.	Description
1	46-8092	3	Screw-Plastite	17	121-6829	1	Rod-Selector, Gear
2	63-2650	1	Screw-Shoulder	18	121-1242-03	1	Selector-Speed
3	105-9999	1	Knob-Shift, LH	19	3229-30	2	Screw-CARR
4	106-4423	1	Knob-Shift, RH	20	3256-24	3	Washer-Flat
6	107-3844	4	Washer	21	3290-307	2	Pin-Hair
7	92-2260	8	Screw-Handle	22	94-4496	1	Screw-PPH
8	108-7313	1	Spring-Compression	23	3296-72	8	Nut-Lock, NI
9	110-3446	1	Trunnion-Rod	24	3296-73	2	Nut-Lock, NI
11	120-3881	1	Rod-Chute, Front	25	32128-13	1	Nut-HHF
12	120-7173-03	1	Handle-Upper, LH	26	46-8093	4	Screw-Plastite
13	120-7174-03	1	Handle-Upper, RH	27	105-9987	2	Support-Rod
14	120-7194	1	Panel-Control, Master	28	121-6821	1	Decal-Model
15	120-9251-03	1	Support-Panel, Control	30	120-2301-03	1	Plate-Support, Shift
16	120-9258-03	1	Mount-Selector, Speed				



Control Assembly

Ref.	Part Number	Qty.	Description
1	98-3499	1	Washer-Flat
2	121-6812	1	Cable-Auger
3	121-6813	1	Cable-Traction
4	121-1200	1	Handle-Control, Traction
5	121-1201	1	Handle-Control, Auger
6	121-1202	1	Rod-Lockout
7	121-1203	1	Cam-Lockout
8	121-1204	1	Link-Lockout
9	121-1205	1	Latch-Lockout
10	121-1206	1	Spring-Lockout
11	121-1216	1	Screw-Shoulder
12	3296-72	1	Nut-Lock, NI
13	32121-125	3	Pin-Spring
14	121-1238	1	Spring-Return, Traction Lever
15	32121-2	1	Pin-Roll, Slotted



Quick Lever Assembly

Ref.	Part Number	Qty.	Description
1	94-4496	6	Screw-PPH
2	120-3868	1	Lever-Control, Chute
3	120-3887	1	Cap-Lever, Chute Control
4	120-7163	1	Cable-Release, Chute
5	121-1244	1	Chute Rod ASM
6	121-1246	1	Insert-Lever, Quick
7	121-1247	1	Screw-Shoulder
8	3296-42	1	Nut-Lock, NI
9	121-6824	1	Spring-Return, Lever
10	3256-22	1	Washer-Flat

Attachments and Accessories

For 38810 Power Max 724 OE Snowthrower

Product Name	Model/Part
Non-Marking Skid Kit.....	38211
Heavy-Duty Skid Kit.....	38212
Drift Breaker Kit, 24-inch and 26-inch Power Max Snowthrowers.....	38213
Tire Chain Kit, Snowthrowers with 13in Tires	38214
Toro 2-Stage Cover.....	490-7466
Plain 2-Stage Cover.....	490-7467

Notes:

Notes:

Notes:



Count on it.