



Count on it.

Parts Catalog

Versa Vac

Model No. 07053—Serial No. 250000201 and Up



Ordering Replacement Parts

To order replacement parts, please supply the part number, the quantity, and the description of each part desired.

Understanding Reference Numbers

Each identified part in an illustration has a reference number. The reference number for a part also appears in the parts list, along with other information about the part.

This catalog uses two special reference number formats, one to indicate parts in a service assembly and another to indicate the quantity of a given part in an illustration.

Service Assembly Reference Numbers

Parts in service assemblies have reference numbers in the form a:b. The a represents the reference number of the entire service assembly and the b represents a sequential number unique to each part within the service assembly.

For example, a wheel assembly might be identified by reference number 6, the tire by 6:1, the valve by 6:2, and the wheel by 6:3. When you order the assembly identified by reference number 6, you receive all parts identified by reference numbers 6:1, 6:2, and 6:3. However, you may also order any part individually. Reference numbers of this type appear in illustration and in parts lists.

Reference Numbers Indicating Quantity

In an illustration, if a reference number indicates more than one part, the reference number has the form nX y. The n represents the quantity of the part, the X is the multiplication symbol, and the y represents the reference number.

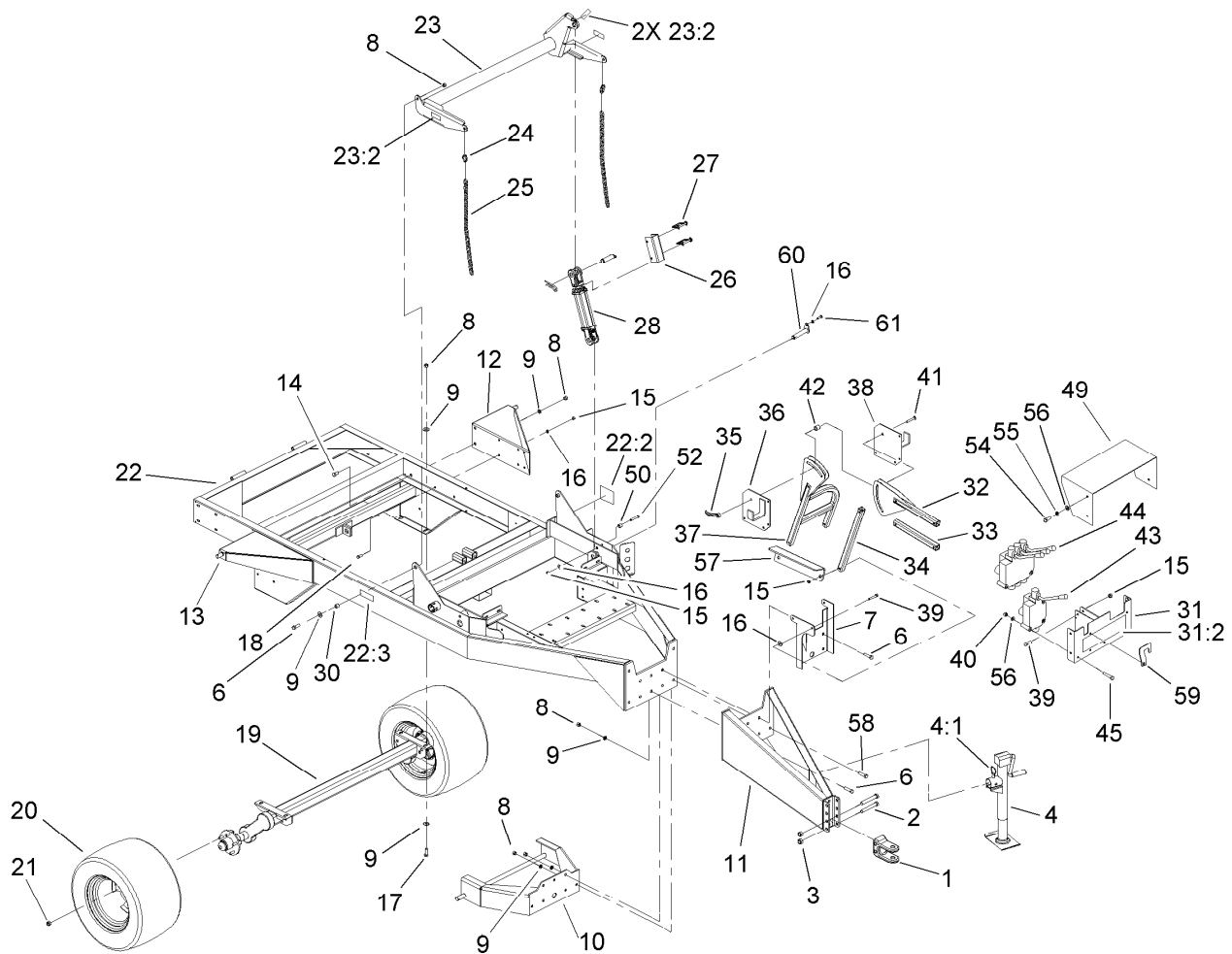
For example, in an illustration, the reference number 2X 37 means that two of the parts identified by reference number 37 are indicated.

List of Abbreviations

AR: as required	HLH: hex lag head	PTO: power-take-off
ASM: assembly	HOC: height-of-cut	RH: right hand
BBC: blade brake control	HSBH: hex socket button head	ROPS: roll-over protection system
BHTF: button head thread forming	HSFH: hex socket flat head	RRB: rear roller brush
CARR: carriage	HSH: hex socket head	SFH: slotted fillister head
CCW: counter clockwise	HWH: hex washer head	SHH: slotted hex head
CW: clockwise	HWHTF: hex washer head thread forming	SHWH: slotted hex washer head
DEG: degrees	HYD: hydraulic	SPH: slotted pan head
DPA: Dual Point Adjustment	LH: left hand	SQH: square head
ECM: electronic control module	LP: Liquefied Petroleum Gas	SRH: slotted round head
EXT: external	LPG: Liquefied Petroleum Gas	STD: standard
FH: flat head	NI: nylon insert	TAP: self tapping
GA: gauge	NPTF: national pipe thread fine	TTH: torx truss head
HD: heavy-duty	PFH: phillips flat head	
HF: hex flange	PPH: phillips pan head	
HH: hex head	PPHTF: phillips pan head thread forming	
HHF: hex head flange	PRH: phillips round head	
HHFTF: hex head flange thread forming	PTH: phillips truss head	
HJ: hex jam		

Contents

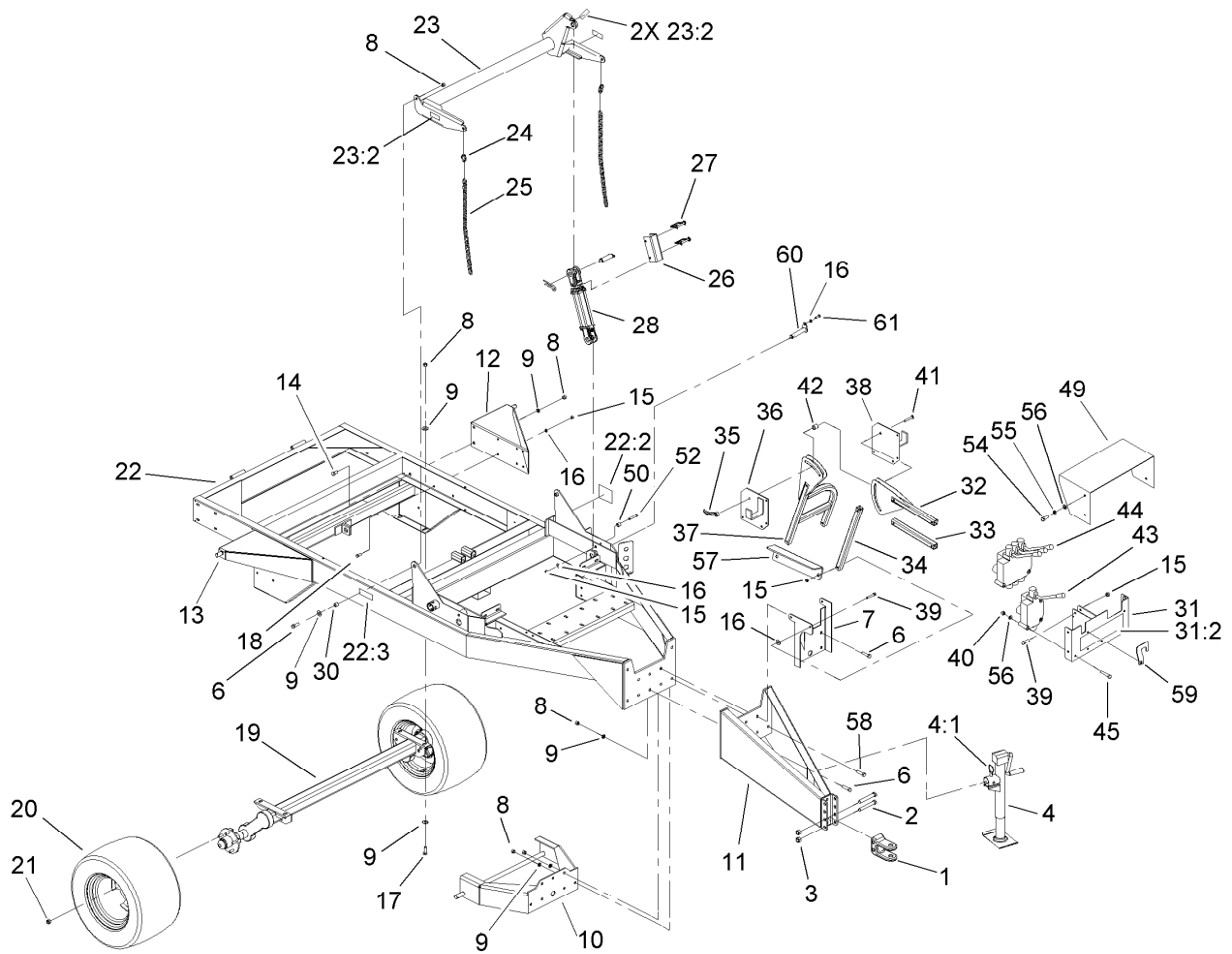
Frame and Axle Assembly	4
Hydraulic Cylinder Assembly No. 107-1180	6
Impeller Assembly	7
Drive Assembly	8
Hydraulic Double Gear Pump Assembly No. 108-0856	9
Power-Take-Off Shaft and Shield Assembly	10
Double Power-Take-Off Shaft Assembly No. SVA10500	11
Sidewall Assembly	12
Left Hand Sidewall Assembly	13
Right Hand Sidewall Assembly	14
Door Assembly	15
Link-Lower Door Assembly	16
Cylinder Assembly	17
Hydraulic Cylinder Assembly No. 107-1360	18
Hydraulic Schematic Assembly	19



Frame and Axle Assembly

Ref.	Part Number	Qty.	Description	Ref.	Part Number	Qty.	Description
1	47-3550-03	1	Hitch-Clevis	23:2	93-6674	3	Decal-Warning
2	327-23	2	Screw-HH	24	CSP15000	2	Link-Quick
3	3296-53	2	Nut-Lock, NI	25	SV139-00	2	Chain-Link
4	106-9699	1	Jack	26	SV158-00-03	1	Channel-Lock
6	325-8	5	Screw-HH	27	PF244-00	2	Pin-Wire, Lock
7	SVA17500-03	1	Base-Stand	28	107-1180	1	Cylinder-HYD
8	3296-23	20	Nut-Lock, NI	30	CS130-00	2	Spacer
9	3256-6	24	Washer-Flat	31	106-0186	1	Mount-Valve
10	SVA11200-03	1	Deck Mount ASM	31:2	106-0183	1	Decal-Panel, Control
11	SV198-00-03	1	Hitch	32	SVA17100-03	1	Stand-Valve
12	SVA11300-03	1	Bracket-Door, Left	33	SVA17200-03	1	Tube-Horizontal
13	SVA11400-03	1	Bracket-Door, Right	34	SVA17000-03	1	Tube-Vertical
14	325-5	4	Screw-HH	35	SVA18500	1	Handle-Locking
15	3296-39	18	Nut-Lock, NI	36	SVA17400-03	1	Hanger-Hose, Right
16	3256-24	29	Washer-Flat	37	SVA16900-03	1	Stand-Valve
17	325-6	4	Screw-HH	38	SVA17900-03	1	Hanger-Hose, Left
18	323-6	8	Screw-HH	39	323-11	9	Screw-HH
19	SVP20000	1	Axle-Torflex	40	3296-29	6	Nut-Lock, NI
20	SVP15000	2	Tire And Wheel ASM	41	3231-31	1	Screw-CARR
21	242-50	10	Nut-Lug	42	SVA17700	1	Spacer
22	106-0189	1	Frame	43	106-0168	1	Valve-Control, Single Spool
22:2	106-0167	1	Decal-Caution	43:1	107-1551	1	Seal Kit ●
22:3	106-0162	2	Decal-Caution, Stay Clear (Ce)	44	106-0169	1	Valve-Control, Three Spool
23	106-0190	1	Arm-Lift	44:1	107-1550	1	Seal Kit ●
				45	322-13	6	Screw-HH

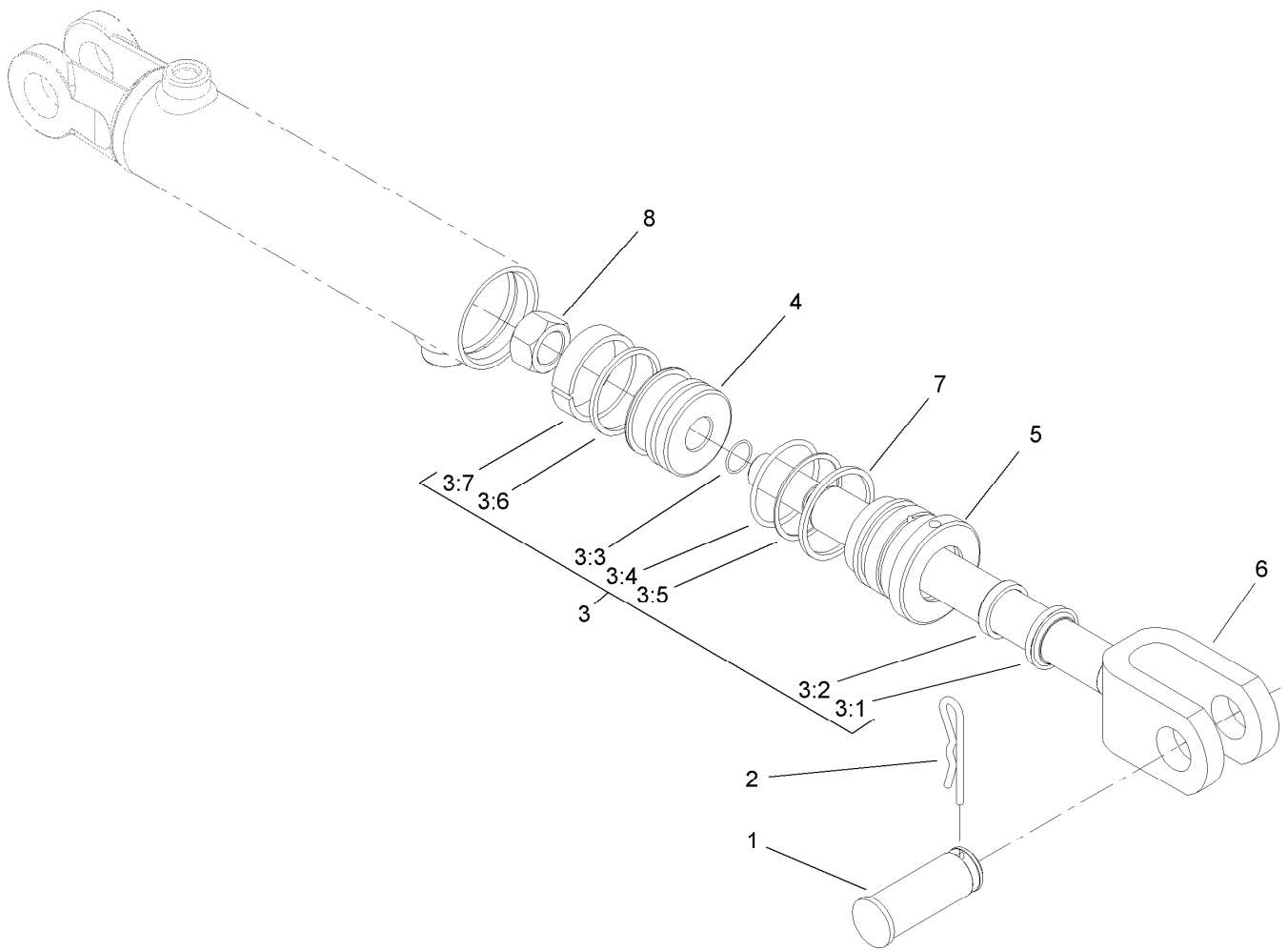
● Not illustrated



Frame and Axle Assembly (continued)

<i>Ref.</i>	<i>Part Number</i>	<i>Qty.</i>	<i>Description</i>	<i>Ref.</i>	<i>Part Number</i>	<i>Qty.</i>	<i>Description</i>
49	106-0171-03	1	Guard-Hose	57	105-4855-03	1	Support
50	SV136-00-03	1	Roller-Chain	58	325-10	6	Screw-HH
52	325-12	1	Screw-HH	59	105-4920-03	1	Lockout-Valve
54	322-2	4	Screw-HH	60	107-1186	1	Pin
55	3253-4	4	Washer-Lock	61	323-7	1	Screw-HH
56	3256-23	10	Washer-Flat				

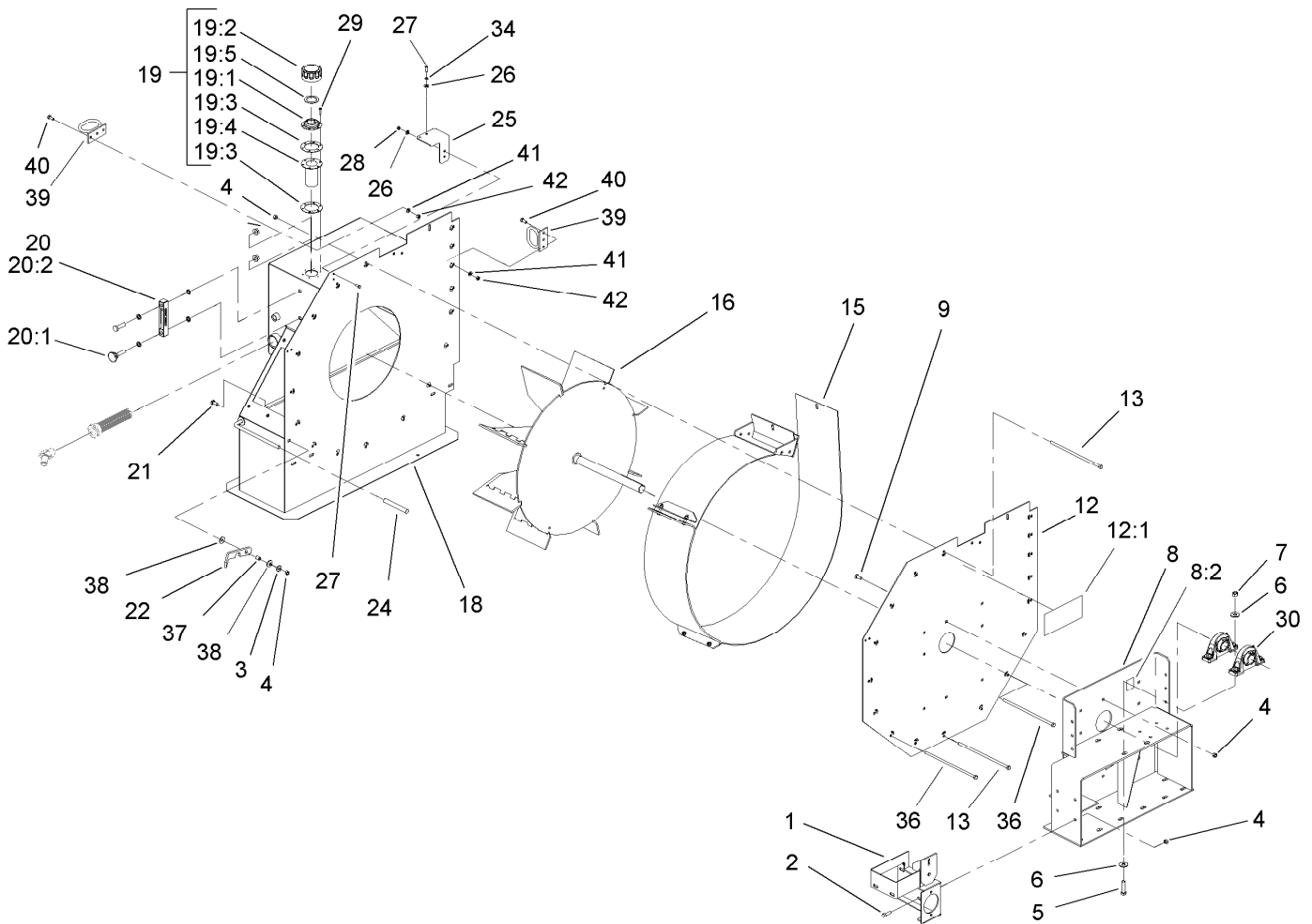
● Not illustrated



Hydraulic Cylinder Assembly No. 107-1180

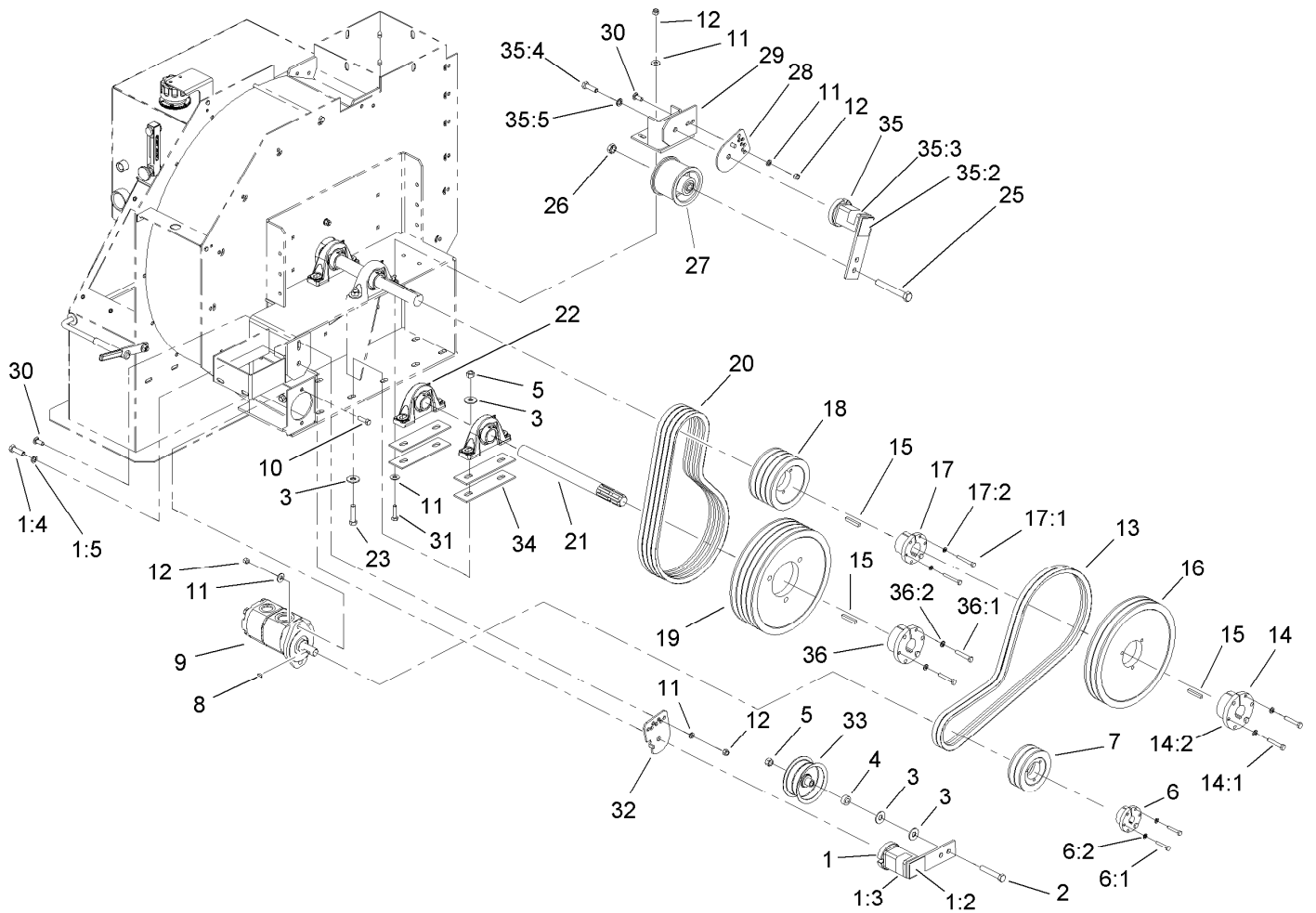
Ref.	Part Number	Qty.	Description
1	107-1182	2	Pin-Clevis
2	9335064	2	Pin-Cotter, Hair
3	107-1183	1	Seal Kit
3:1		1	Wiper ●
3:2		1	U-Cup ●
3:3		1	Seal-Dust ●
3:4		1	Seal-Dust ●
3:5		1	Back-Up Ring ●
3:6		1	Capseal ●
3:7		1	Ring-Wear ●
4		1	Piston ●
5		1	Head ●
6		1	Rod ASM ●
7		1	Ring-Retaining ●
8		1	Nut-Lock ●

● Not serviced separately



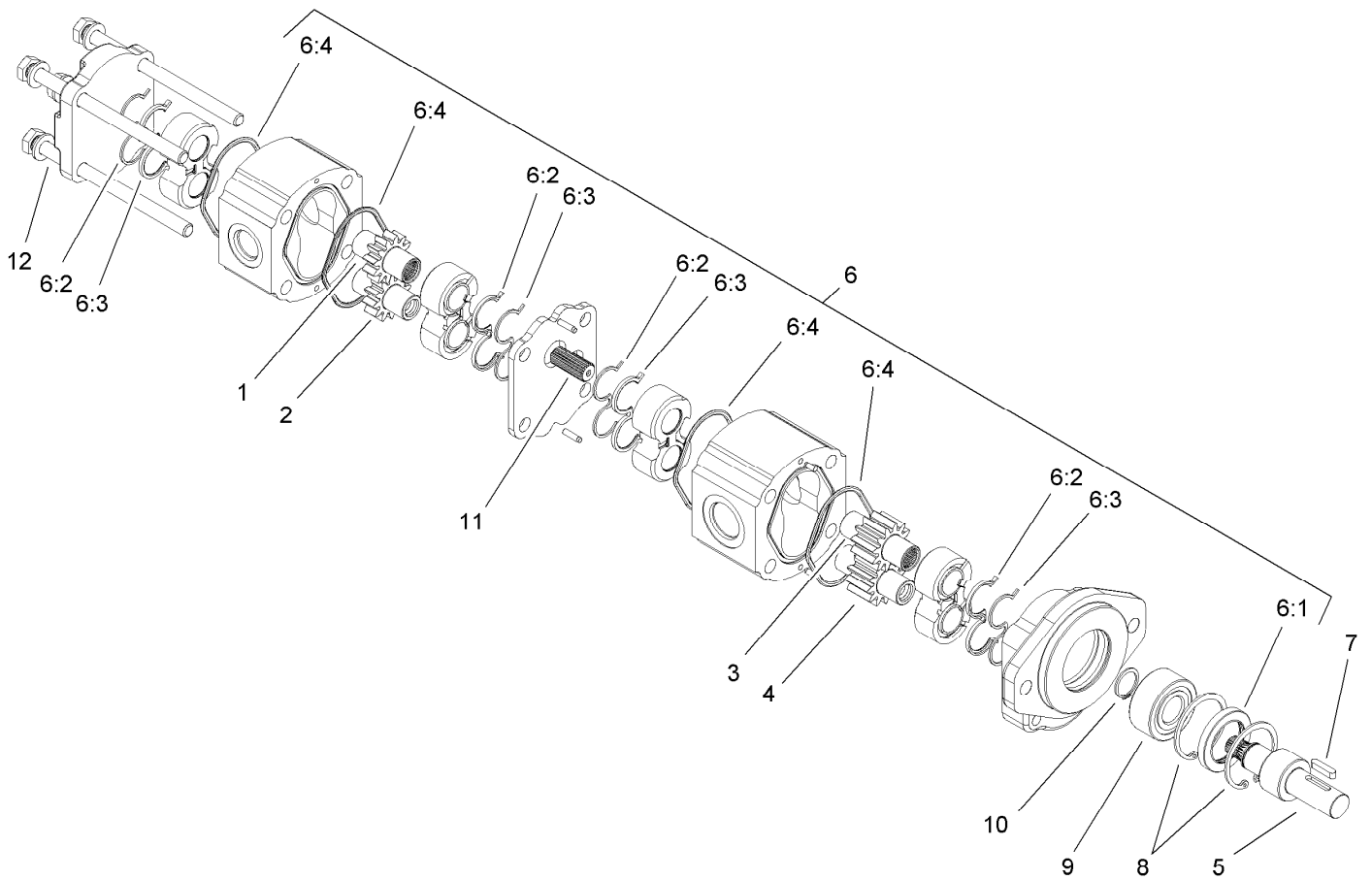
Impeller Assembly

<i>Ref.</i>	<i>Part Number</i>	<i>Qty.</i>	<i>Description</i>	<i>Ref.</i>	<i>Part Number</i>	<i>Qty.</i>	<i>Description</i>
1	108-0894-01	1	Mount-Pump	19:5	76-1720	1	Gasket-Cap, Filler
2	323-7	4	Screw-HH	20	SVB14700	1	Thermometer ASM
3	3256-4	4	Washer-Flat	20:1	108-0852	1	Probe-Temp
4	104-8301	30	Nut-Flange, NI	20:2	108-0853	1	Body-Temp
5	325-8	4	Screw-HH	21	3231-28	1	Screw-CARR
6	3256-6	8	Washer-Flat	22	106-0236-01	1	Latch
7	3296-23	4	Nut-Lock, NI	24	PF225-00	1	Cover-Handle
8	106-0191	1	Mount-Drive	25	SVB15900-01	1	Mount-Filter
8:2	105-4586	1	Decal-Shield	26	3256-22	6	Washer-Flat
9	3231-2	8	Bolt-CARR	27	321-4	4	Screw-HH
12	106-0206	1	Panel-Back	28	3296-42	2	Nut-Lock, NI
12:1	66-6140	1	Decal	29	32144-107	6	Screw
13	106-0184	15	Screw-HH	30	106-0332	2	Bearing-Block, Pillow
15	107-1359	1	Band ASM	34	3253-3	2	Washer-Lock
16	107-1431-01	1	Impeller ASM	36	105-4865	2	Screw-HH
18	SV305-00-01	1	Funnel ASM	37	92-9025	1	Spacer
19	95-7004	1	Filler Cap ASM	38	3290-473	2	Washer-Belleville
19:1	353-961	1	Flange	39	104-0028	2	Guide-Hose
19:2	353-962	1	Cap ASM	40	322-5	4	Screw-HH
19:3	353-963	2	Gasket	41	3256-23	4	Washer-Flat
19:4	62-2610	1	Strainer-Cap, Filler	42	3296-29	4	Nut-Lock, NI



Drive Assembly

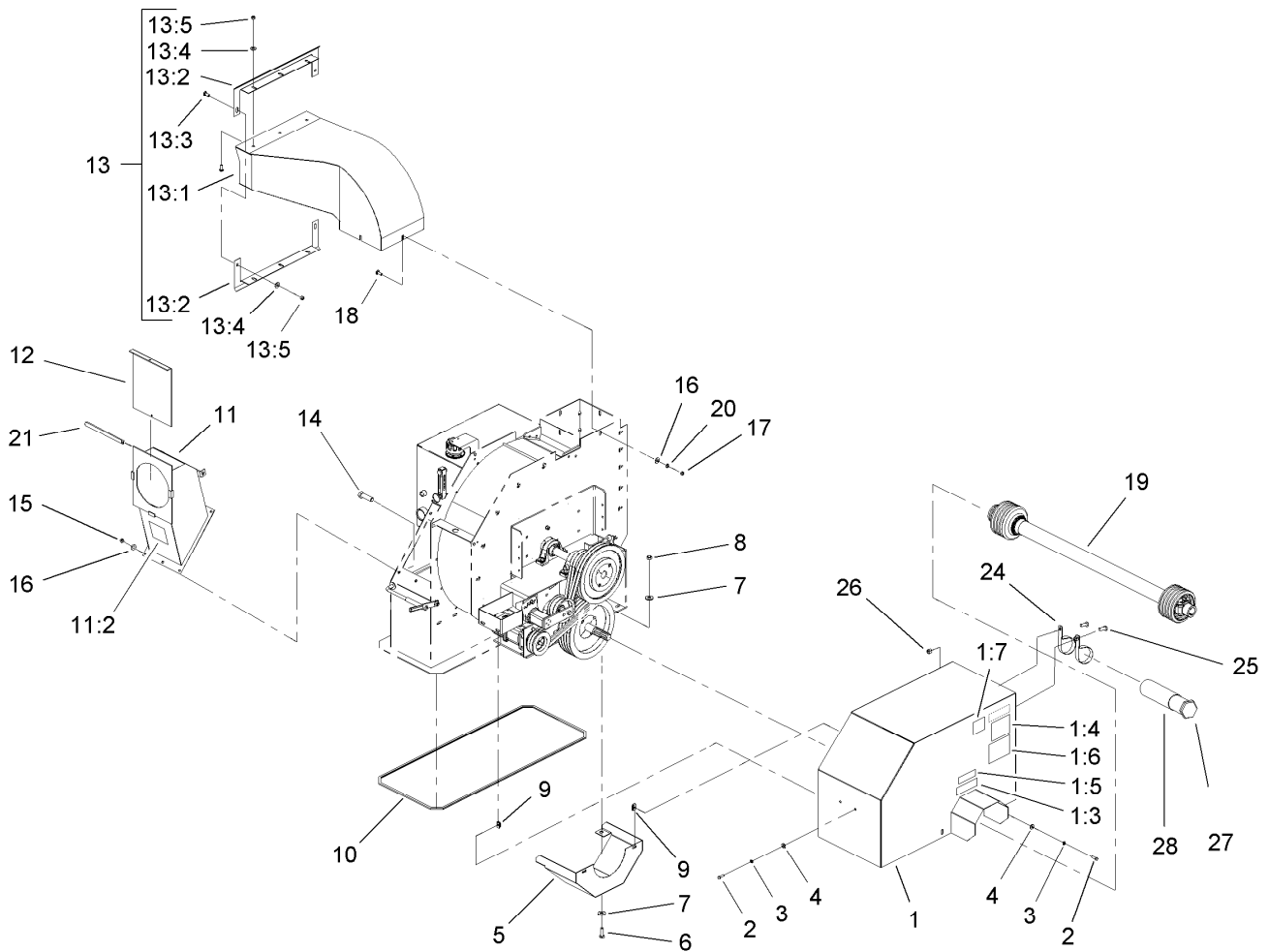
Ref.	Part Number	Qty.	Description	Ref.	Part Number	Qty.	Description
1	105-0667	1	Idler Tensioner ASM	17:2	3253-3	3	Washer-Lock
1:2	105-0668	1	Decal-Align	18	106-0355	1	Pulley
1:3	105-0669	1	Decal-Angle	19	106-0356	1	Pulley
1:4	33116-040	1	Screw-HH	20	SBC17000	4	V-Belt
1:5	3253-7	1	Washer-Lock	21	SVB13000	1	Shaft-Input
2	325-12	1	Screw-HH	22	106-0332	2	Bearing-Block, Pillow
3	3256-6	10	Washer-Flat	23	325-10	4	Screw-HH
4	GF213-00	1	Spacer	25	3214-15	1	Screw-HH
5	3296-23	5	Nut-Lock, NI	26	3220-6	1	Nut-Jam
6	106-0357	1	Bushing-Pulley	27	105-4821	1	Idler-Pulley
6:1	108-0854	3	Screw-HSH	28	105-4839	1	Stabilizer-Tensioner
6:2	3253-3	3	Washer-Lock	29	SV286-00-01	1	Bracket-Lovejoy
7	106-0352	1	Pulley	30	3231-25	2	Bolt-CARR
8	3257-32	1	Key-Woodruff	31	323-8	4	Screw-HH
9	108-0856	1	Pump-HYD	32	105-4835	1	Stabilizer-Tensioner
10	323-7	6	Screw-HH	33	FBJ11100	1	Pulley-Idler
11	3256-4	12	Washer-Flat	34	SVB19500-01	4	Shim
12	3296-39	8	Nut-Lock, NI	35	106-0334	1	Idler Tensioner ASM
13	SVB13600	2	V-Belt	35:2	105-0668	1	Decal-Align
14	106-0358	1	Pulley Bushing ASM	35:3	105-0669	1	Decal-Angle
14:1	322-10	3	Screw-HH	35:4	33116-040	1	Screw-HH
14:2	3253-4	3	Washer-Lock	35:5	3253-7	1	Washer-Lock
15	61-004-0451	3	Key-Square	36	106-0362	1	Bushing-Pulley
16	106-0353	1	Pulley	36:1	325-11	3	Screw-HH
17	106-0360	1	Pulley Bushing ASM	36:2	3253-7	3	Washer-Lock
17:1	321-11	3	Screw-HH				



Hydraulic Double Gear Pump Assembly No. 108-0856

Ref.	Part Number	Qty.	Description
1		1	Gear-Drive ●
2		1	Gear-Driven ●
3		1	Gear-Drive ●
4		1	Gear-Driven ●
5		1	Shaft ●
6	108-2438	1	Seal Kit
6:1		1	Seal-Lip ●
6:2		4	Seal-Back Up ●
6:3		4	Seal-Channel ●
6:4		4	Seal-Section ●
7		1	Key ●
8		1	Bearing ●
9		1	Ring-Retaining ●
10		1	Ring-Retaining ●
11		1	Shaft ●
12		1	Screw ●

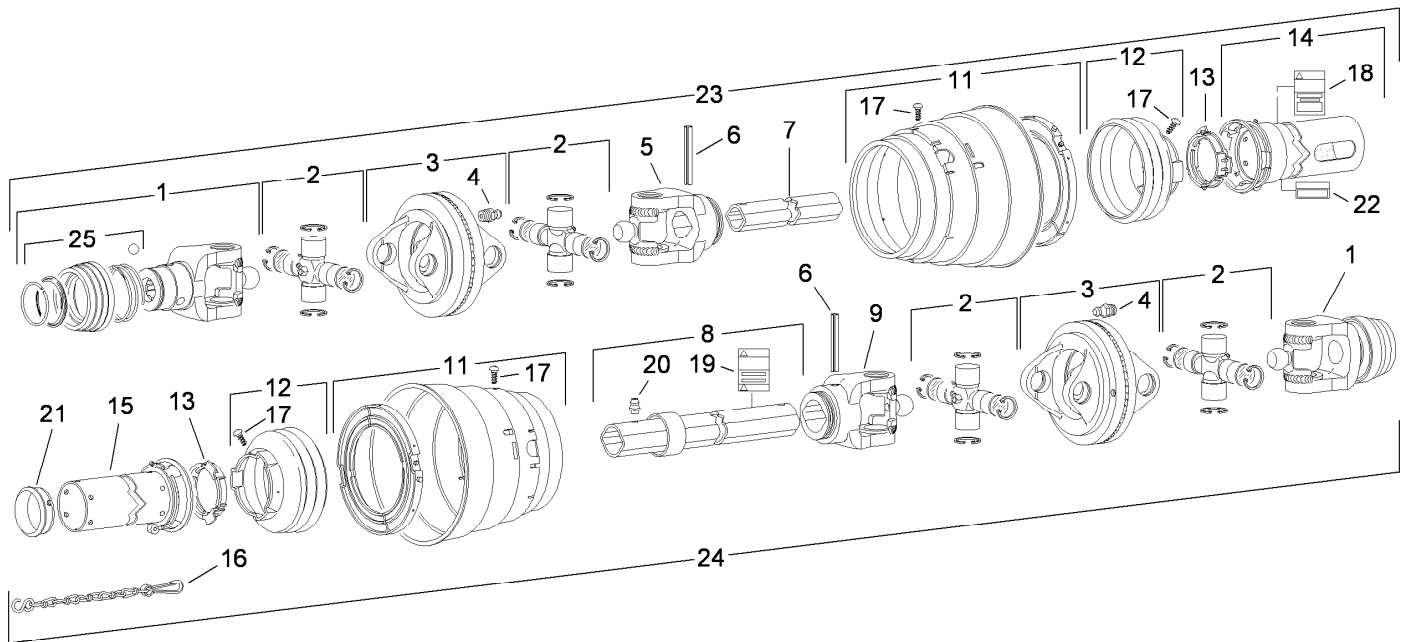
● Not serviced separately



Power-Take-Off Shaft and Shield Assembly

Ref.	Part Number	Qty.	Description
1	106-0193	1	Shield-Drive
1:3	105-0628	1	Decal-Caution, U-Joint
1:4	105-4587	1	Decal-Caution, Ce
1:5	105-0627	1	Decal-Caution
1:6	106-0163	1	Decal-Danger, Blowers
1:7	105-4586	1	Decal-Shield
2	322-5	6	Screw-HH
3	3253-4	6	Washer-Lock
4	3256-23	6	Washer-Flat
5	105-4842-01	1	Guard-Pulley
6	325-6	2	Screw-HH
7	3256-6	4	Washer-Flat
8	3296-23	2	Nut-Lock, NI
9	CSP11700	4	Nut-Thin, Tinnerman
10	105-4843	1	Trim
11	106-0192	1	Chute-Vac
11:2	106-0166	1	Decal-Danger, Blower
12	SV143-00-01	1	Door-Hose
13	SVA14900	1	Spout ASM

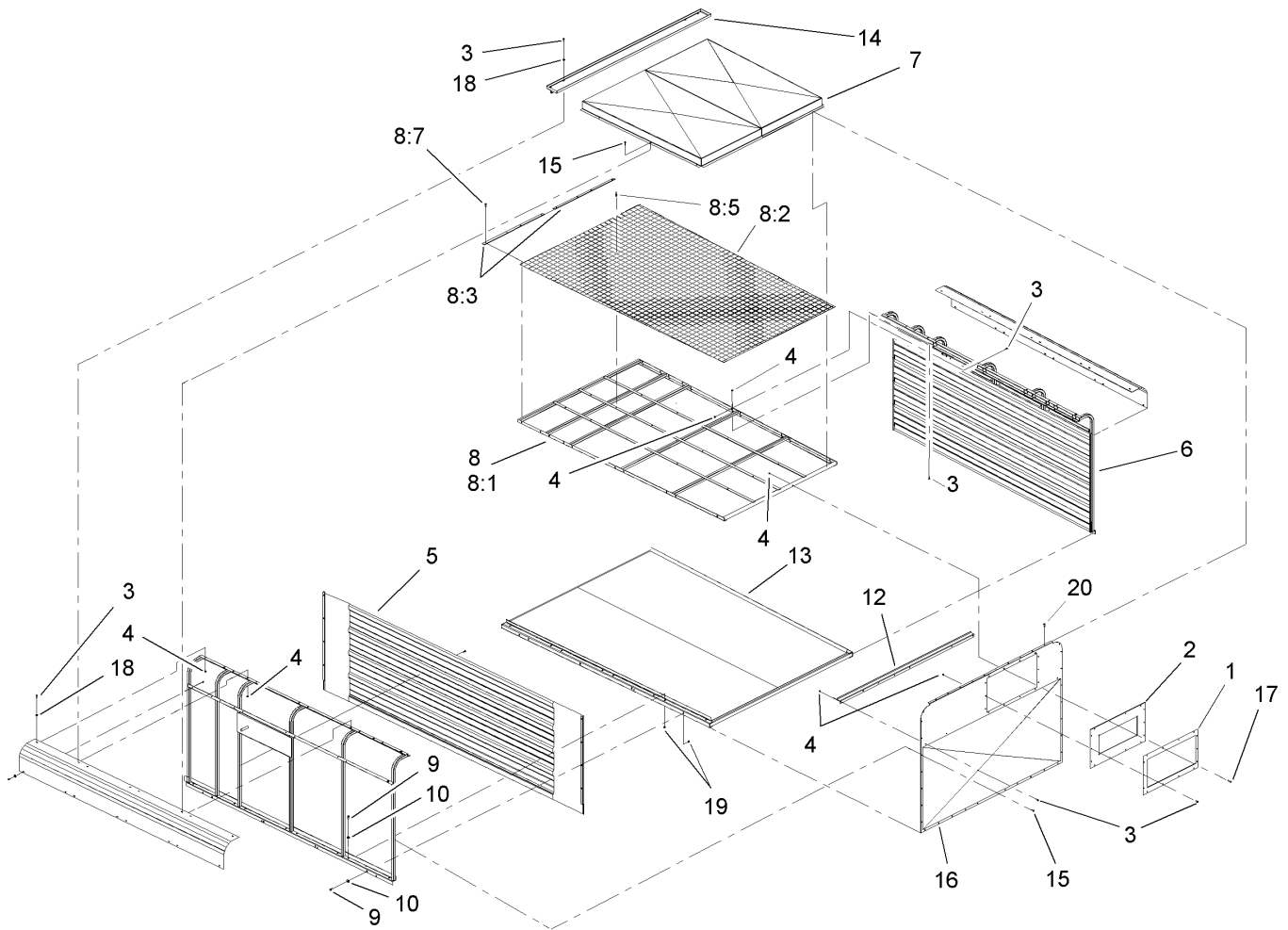
Ref.	Part Number	Qty.	Description
13:1	SV216-00-01	1	Transition-Spout
13:2	SVA10200-01	2	Seal-Dust
13:3	3231-2	8	Bolt-CARR
13:4	3256-24	8	Washer-Flat
13:5	3296-39	8	Nut-Lock, NI
14	3231-2	6	Bolt-CARR
15	3296-39	6	Nut-Lock, NI
16	3256-4	10	Washer-Flat
17	3217-7	4	Nut-Hex
18	3231-2	4	Bolt-CARR
19	SVA10500	1	Shaft-PTO, Double
20	3253-21	4	Washer-Lock
21	106-0207	1	Trim-Chute Vac
24	2412-133	2	R-Clamp
25	323-5	2	Screw-HH
26	3296-39	2	Nut-Lock, NI
27	104-7048	1	Cap-Housing
28	104-7050	1	Tube-Manual



Double Power-Take-Off Shaft Assembly No. SVA10500

Ref.	Part Number	Qty.	Description
1	120-6119	1	Yoke ASM
2	SVA10501	4	Cross And Bearing Kit
3	120-6120	2	Double Yoke
4	84-6290	2	Zerk-Grease
5	SVA10508	1	Yoke-Inboard, Tractor End
6	105-2927	2	Pin-Spring
7	120-6121	1	Tube-Inner
8	SVA10511	1	Tube-Outer
9	SVA10509	1	Yoke-Inboard, Implement End
11	120-6122	1	Guard And Bearing ASM
12	120-6123	1	Guard Cone,3 Rib
13	105-2936	2	Bearing-Ring
14	SVA10502	1	Shield-Outer
15	SVA10503	1	Shield-Inner
16	77-4760	1	Chain-Safety
17	84-6360	14	Screw
18	92-7936	1	Decal-Warning
19	92-7937	1	Decal-Warning
20	84-6370	1	Zerk-Grease
21		1	Support-Bearing ●
22		1	Decal-Lubrication ●
23	SVA1050T	1	Shaft-Double Cv, PTO (Tractor Half)
24	SVA1050I	1	Shaft-Double Cv, PTO (Implement Half)
25	120-6124	1	Collar Kit ASM

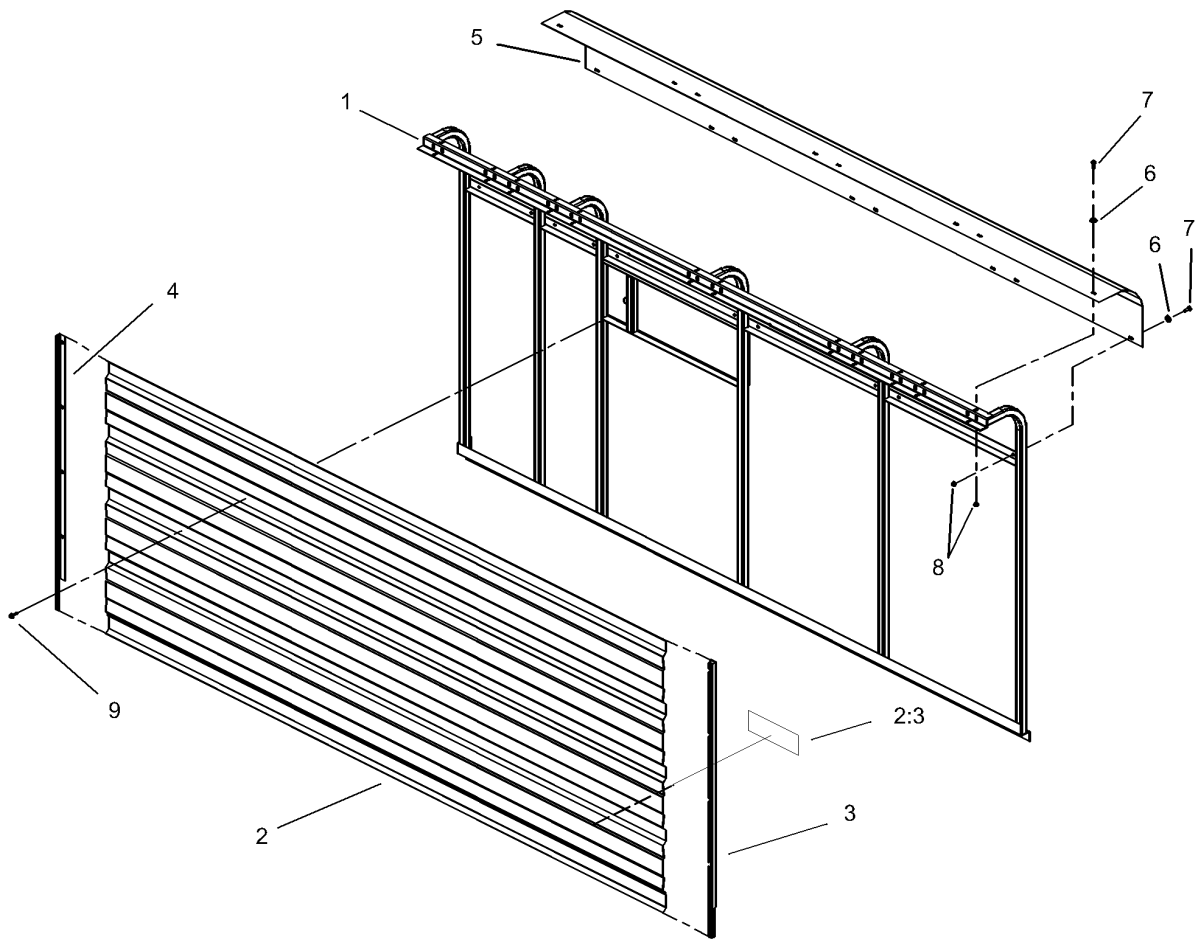
● Not serviced separately



Sidewall Assembly

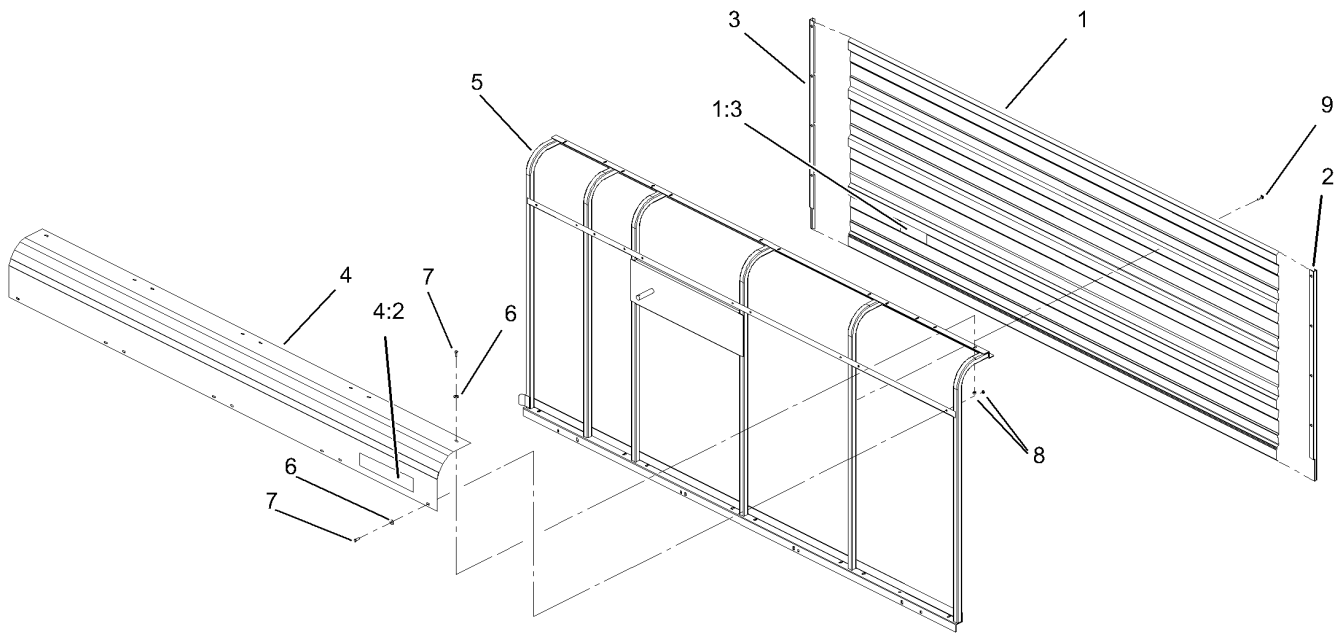
Ref.	Part Number	Qty.	Description
1	107-1362-01	1	Plate
2	107-1361	1	Gasket-Dust
3	321-4	69	Screw-HH
4	3296-42	73	Nut-Lock, NI
5		1	LH Sidewall ASM ●
6		1	RH Sidewall ASM ●
7	107-1495-01	1	Cap-Dust
8		1	Roof-Trailer ●
8:1	VT306-00-01	1	Roof Frame ASM
8:2	VT307-00	2	Screen-Roof
8:3	VT308-00-01	2	Trim-Edge
8:5	3269-21	15	Rivet-Pop
8:7	105-0618	8	Screw
9	323-6	24	Screw-HH
10	3256-24	24	Washer-Flat
12	SVA12000-01	1	Brace-Front
13	VT301-00-03	1	Frame-Floor
14	SVA11900-01	1	Hinge Mount ASM
15	105-0618	28	Screw
16	107-1363-01	1	Sheet-Trailer, Front
17	321-10	4	Screw-HH
18	3256-22	56	Washer-Flat
19	3290-357	24	Nut-HHF, Whiz
20	105-4848	14	Screw

● Not serviced separately



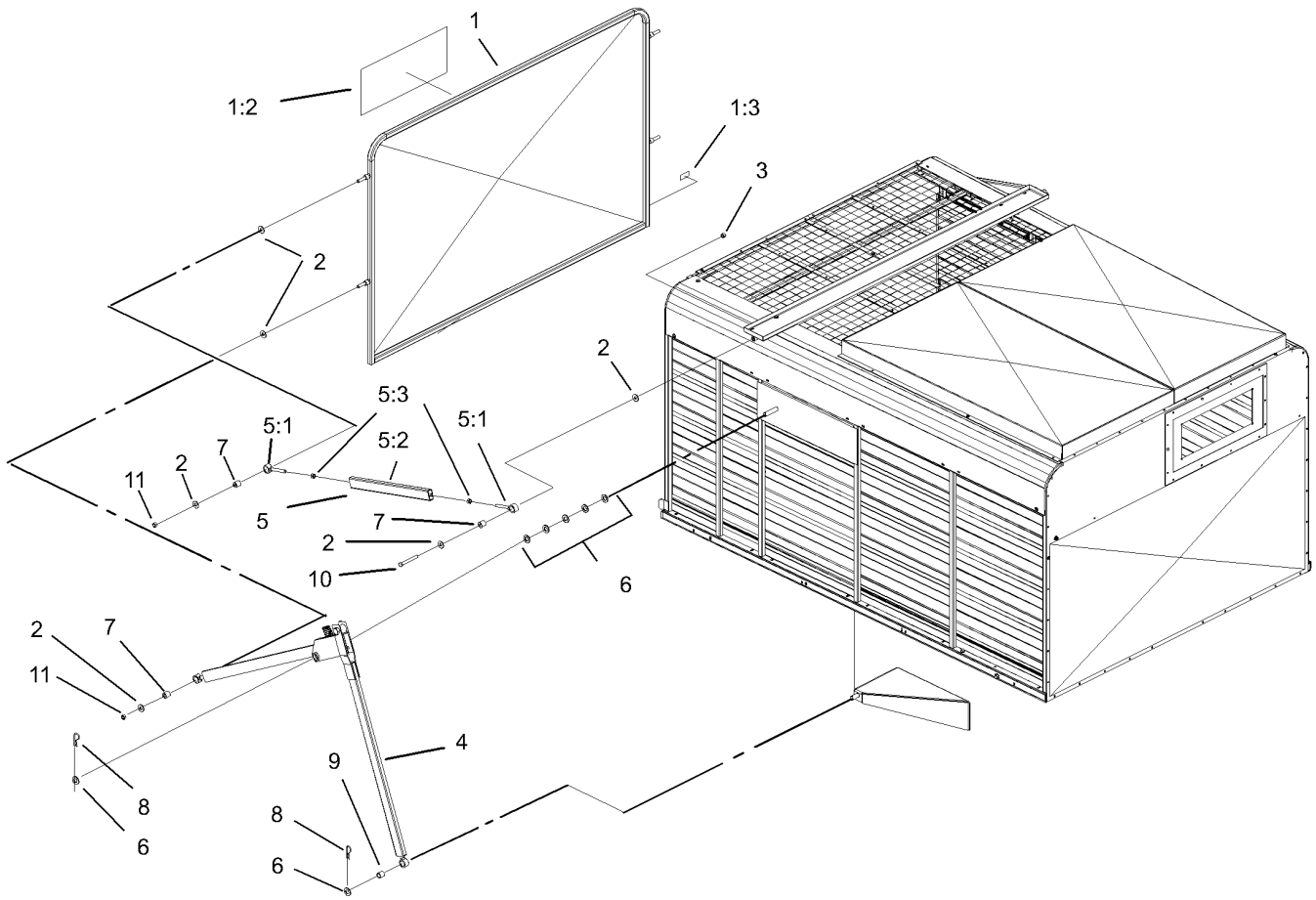
Left Hand Sidewall Assembly

<i>Ref.</i>	<i>Part Number</i>	<i>Qty.</i>	<i>Description</i>
1	VT203-0L-01	1	Left Wall ASM
2	106-0176	1	Sheet-Sidewall, LH
2:3	106-0162	1	Decal-Caution, Stay Clear (Ce)
3	VT130-0L-01	1	Trim-Enclosure, Left
4	106-0175	1	Corner-Roof, LH
5	VT130-0R-01	1	Trim-Enclosure, Right
6	3256-22	8	Washer-Flat
7	321-4	8	Screw-HH
8	3296-42	8	Nut-Lock, NI
9	105-0618	24	Screw



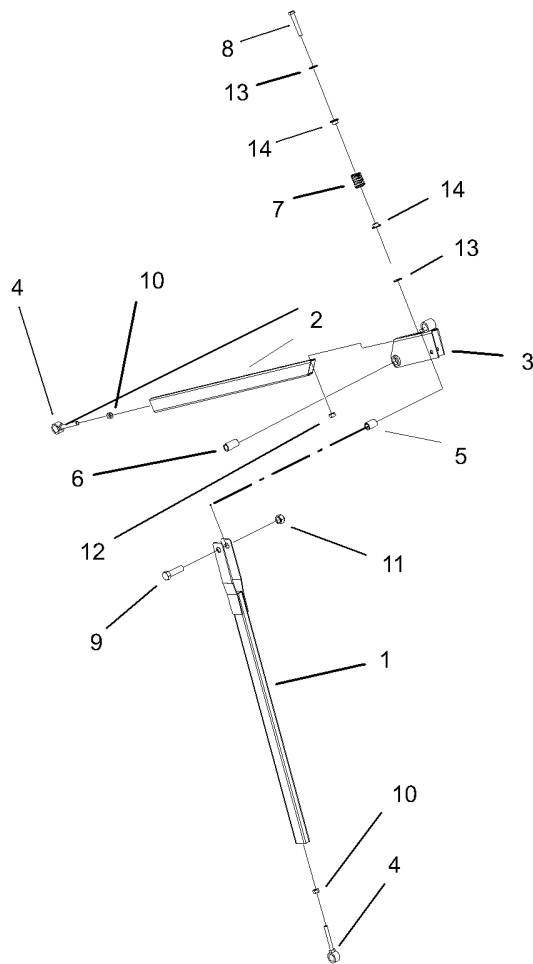
Right Hand Sidewall Assembly

<i>Ref.</i>	<i>Part Number</i>	<i>Qty.</i>	<i>Description</i>
1	106-0174	1	Sheet-Sidewall, RH
1:3	106-0162	1	Decal-Caution, Stay Clear (Ce)
2	VT130-0R-01	1	Trim-Enclosure, Right
3	VT130-0L-01	1	Trim-Enclosure, Left
4	106-0173	1	Corner-Roof, RH
4:2	105-0738	1	Decal-RH
5	VT203-0R-01	1	Right Wall ASM
6	3256-22	8	Washer-Flat
7	321-4	8	Screw-HH
8	3296-42	8	Nut-Lock, NI
9	105-0618	24	Screw



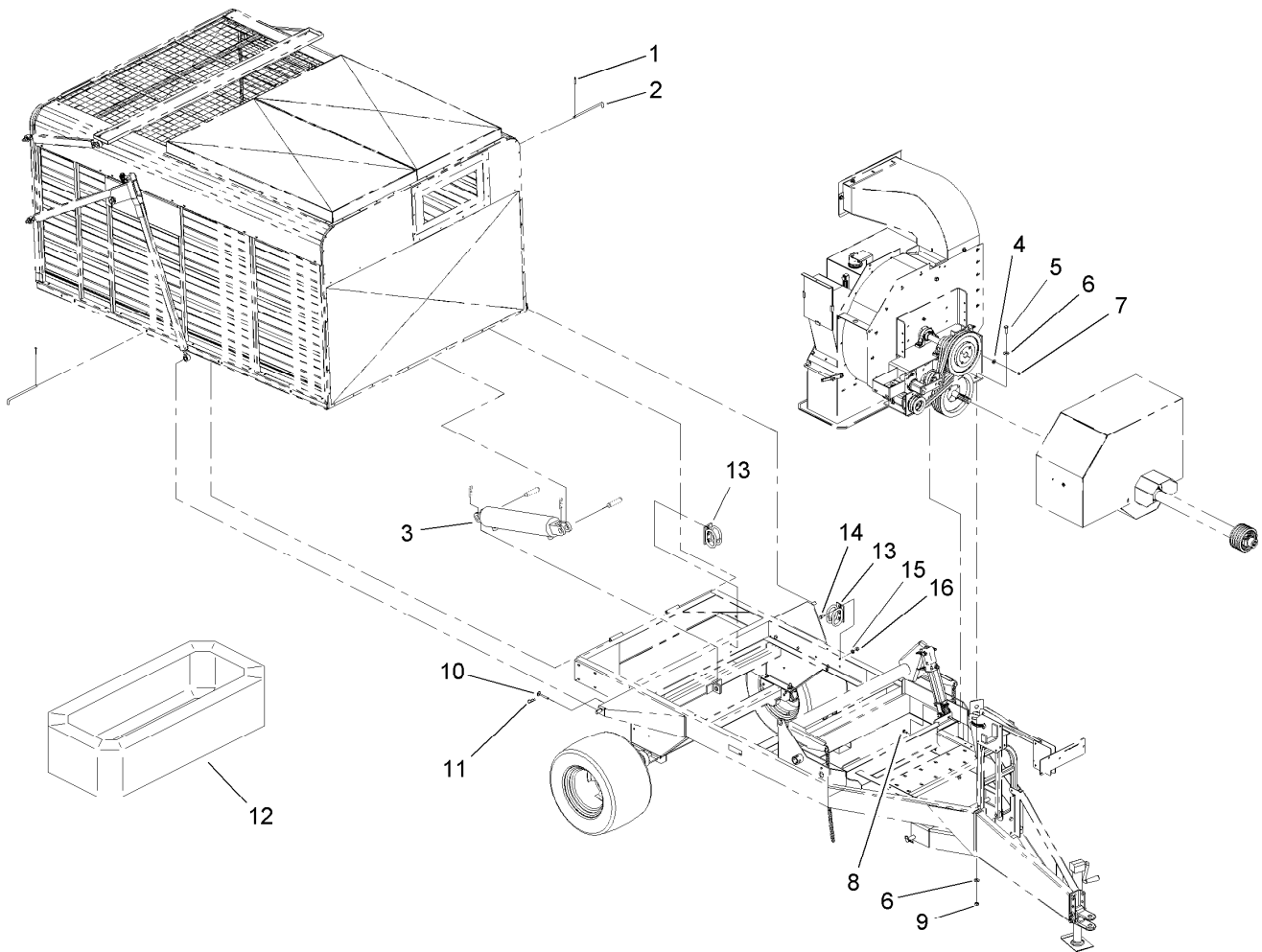
Door Assembly

Ref.	Part Number	Qty.	Description
1	106-0194	1	Door-Trailer
1:2	67-7920	1	Decal
1:3	106-0162	1	Decal-Caution, Stay Clear (Ce)
2	3256-5	12	Washer-Flat
3	3296-23	2	Nut-Lock, NI
4	SVA15100	2	Lower Link Door ASM
5	SVA15000	2	Upper Link Door ASM
5:1	SVA11700-01	1	Link ASM
5:2	SVA12200	2	Pivot-Hinge
5:3	3217-9	2	Nut-HH
6	3256-28	14	Washer-Flat
7	SVA12700	6	Bushing
8	9335064	4	Pin-Cotter, Hair
9	SVA12800	2	Bushing
10	325-17	2	Screw-HH
11	32153-5	4	Nut-Hex



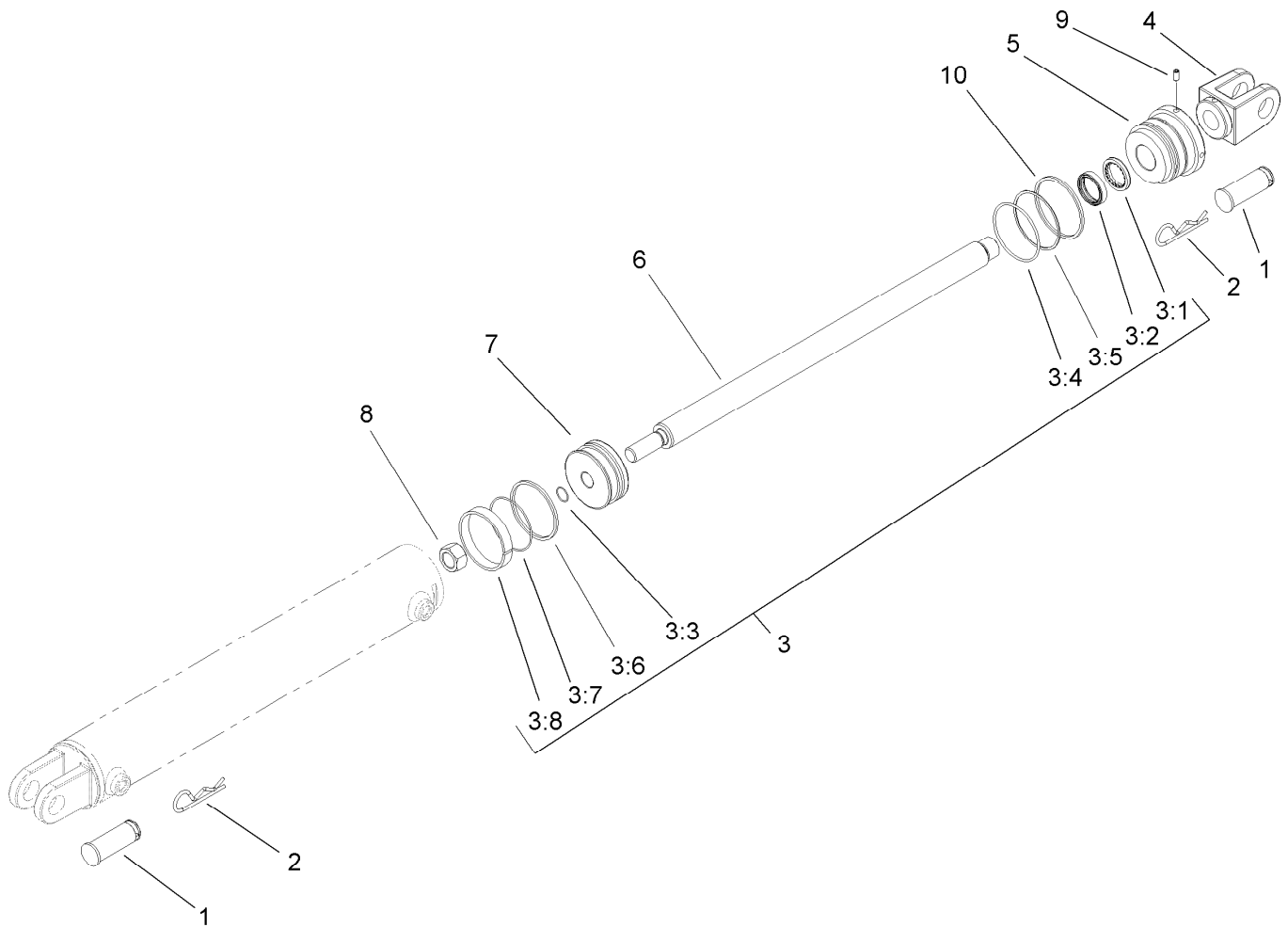
Link-Lower Door Assembly

Ref.	Part Number	Qty.	Description
1	SVA11800-01	1	Pull Arm ASM
2	SVA11600-01	1	Lower Linkage ASM
3	SVA12100-01	1	Mount-Bracket
4	SVA12200	2	Pivot-Hinge
5	SVA12900	1	Bushing
6	SVA13000	1	Bushing
7	GF206-00	1	Spring-Compression
8	325-13	1	Screw-HH
9	328-3	1	Screw-HH
10	3217-9	2	Nut-HH
11	3296-51	1	Nut-Lock, NI
12	3296-23	1	Nut-Lock, NI
13	3256-26	2	Washer-Flat
14	SVA13300	2	Bushing-Flange



Cylinder Assembly

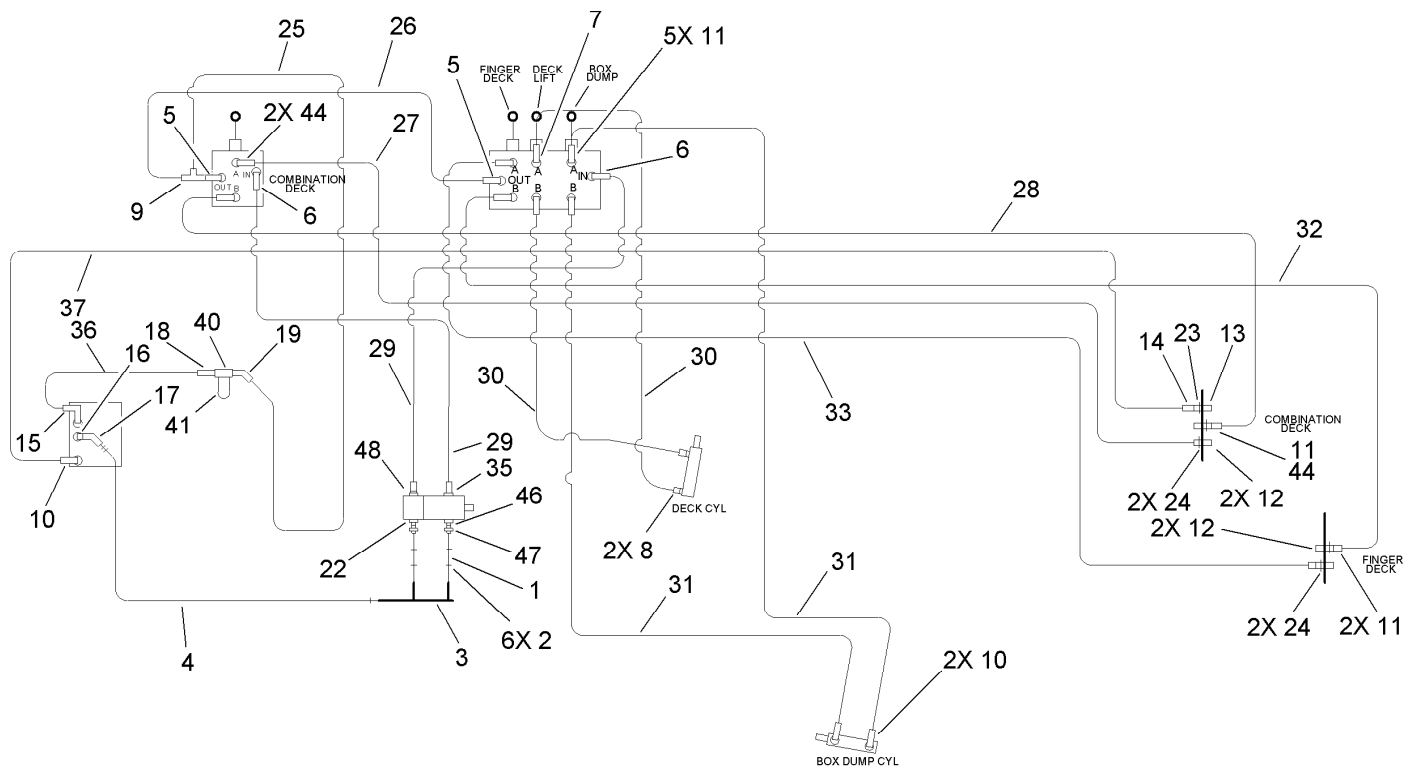
<i>Ref.</i>	<i>Part Number</i>	<i>Qty.</i>	<i>Description</i>
1	3272-22	2	Pin-Cotter
2	PB114-00	2	Pin-Hinge
3	107-1360	1	HYD Cylinder ASM
4	3256-4	4	Washer-Flat
5	325-6	5	Screw-HH
6	3256-6	10	Washer-Flat
7	3296-39	4	Nut-Lock, NI
8	3231-25	4	Bolt-CARR
9	3296-23	5	Nut-Lock, NI
10	SVA12600	2	Door Pin ASM
11	3290-355	2	Pin-Hair
12	SVP15100	1	Ring-Canvas
13	99-5621	2	Guide-Hose
14	322-5	4	Screw-HH
15	3256-23	4	Washer-Flat
16	3296-29	4	Nut-Lock, NI



Hydraulic Cylinder Assembly No. 107-1360

Ref.	Part Number	Qty.	Description
1	107-1182	2	Pin-Clevis
2	9335064	2	Pin-Cotter, Hair
3	108-2435	1	Seal Kit
3:1		1	Wiper ●
3:2		1	Seal ASM ●
3:3		1	Seal-Dust ●
3:4		1	Seal-Dust ●
3:5		1	Ring-Back Up ●
3:6		1	Seal ASM ●
3:7		1	Seal-Dust ●
3:8		1	Ring-Wear ●
4	108-2436	1	Clevis-Rod
5		1	Head ●
6		1	Rod ●
7		1	Piston ●
8		1	Nut-Lock ●
9		1	Screw-Set ●
10		1	Ring-Retaining ●

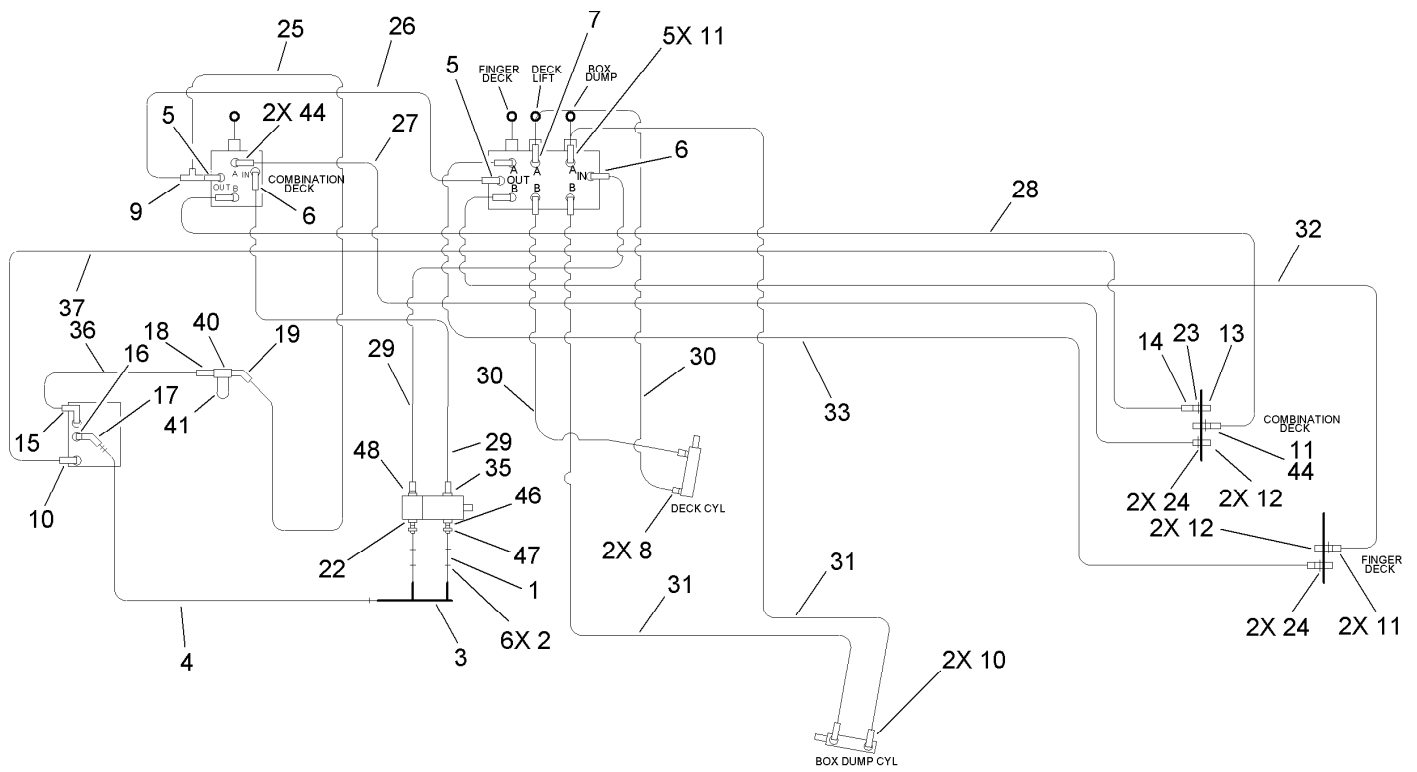
● Not serviced separately



Hydraulic Schematic Assembly

Ref.	Part Number	Qty.	Description	Ref.	Part Number	Qty.	Description
1	106-0072	2	Hose-Suction	13	63-1220	1	Coupler-Disconnect, Quick
2	2412-34	6	Clamp-Hose	14	340-82	1	Adapter
3	108-0855	1	Tube-Maniflod	14:1	237-42	1	O-Ring ●
4	106-0071	1	Hose-Suction	14:2	237-21	1	O-Ring ●
5	340-7	2	Adapter	15	340-108	1	Fitting-HYD
5:1	237-65	1	O-Ring ●	16	SVB14400	1	Strainer-Suction
5:2	237-80	1	O-Ring ●	17	SVB15100	1	Adapter-Cms
6	340-6	2	Fitting-HYD, Straight	18	340-8	1	Adapter
6:1	237-30	1	O-Ring ●	18:1	237-65	1	O-Ring ●
6:2	237-80	1	O-Ring ●	18:2	237-81	1	O-Ring ●
7	106-0073	1	Fitting-Orificed	19	340-156	1	Fitting-HYD
7:1	237-22	1	O-Ring ●	19:1	237-65	1	O-Ring ●
7:2	237-79	1	O-Ring ●	19:2	237-81	1	O-Ring ●
7:99	32151-83	1	Ring-Snap ●	22	340-9	1	Fitting-HYD, Straight
8	340-2	2	Fitting-HYD, Straight	22:1	237-58	1	O-Ring ●
8:1	237-22	1	O-Ring ●	22:2	237-81	1	O-Ring ●
8:2	237-42	1	O-Ring ●	23	32151-83	1	Ring-Snap
9	340-147	1	Fitting-HYD, Tee	24	32120-2	4	Ring-Retaining
9:1	237-65	2	O-Ring ●	25	105-0649	1	Hyd Hose ASM
10	340-124	3	Adapter	26	105-0648	1	Hyd Hose ASM
10:1	237-22	1	O-Ring ●	27	105-0650	1	Hyd Hose ASM
11	340-3	7	Adapter	27:3	237-79	1	O-Ring ●
11:1	237-22	1	O-Ring ●	28	105-0651	1	Hyd Hose ASM
11:2	237-79	1	O-Ring ●	29	105-0653	2	Hyd Hose ASM
12	105-4169	4	Coupler-Female	30	105-0642	2	Hyd Hose ASM

● Not illustrated



Hydraulic Schematic Assembly (continued)

Ref.	Part Number	Qty.	Description	Ref.	Part Number	Qty.	Description
31	105-0652	2	Hyd Hose ASM	44	340-4	3	Fitting-HYD, Straight
32	105-0645	1	Hyd Hose ASM	44:1	237-30	1	O-Ring ●
33	105-0646	1	Hyd Hose ASM	44:2	237-79	1	O-Ring ●
35	340-131	1	Fitting-HYD, 90 DEG	46	340-91	1	Adapter
35:1	237-30	1	O-Ring ●	46:1	237-58	1	O-Ring
35:2	237-81	1	O-Ring ●	46:2	237-146	1	O-Ring
36	105-0638	1	Hyd Hose ASM	47	108-0884	2	Fitting-Elbow, 90 DEG
37	105-0654	1	Hyd Hose ASM	48	340-105	1	Fitting-HYD, 90 DEG
40	92-5821	1	Head-Filter	48:1	237-80	1	O-Ring ●
41	54-0110	1	Filter-Oil, Transmission	48:2	237-30	1	O-Ring ●
42	SVA13800	10	Tiewire ●				

● Not illustrated

Notes:

Notes:

Notes:



Count on it.