



MODEL NO. 20321 - 2000001 & UP

OPERATOR'S
MANUAL21" RECYCLER[®]
MOWER

SAFETY INSTRUCTIONS

This mower "meets or exceeds CPSC blade safety requirements for walk behind rotary mowers" and the B71.1-1990 specifications of the American National Standards Institute. However, improper use or maintenance by the operator or owner can result in injury. To reduce the potential for injury, comply with these safety instructions and always pay attention to the safety alert symbol which means CAUTION, WARNING OR DANGER - "personal safety instruction." Failure to comply with the instruction may result in personal injury.

WARNING: Engine exhaust contains carbon monoxide which is an odorless, deadly poison. Carbon monoxide is also known to the State of California to cause birth defects. Do not run engine indoors or in an enclosed area.

BEFORE OPERATING

1. Read this manual carefully before operating the mower. Become familiar with the controls and proper use of the mower. Never allow children to operate the mower or adults to operate it without proper instructions.
2. Keep everyone, especially children and pets, away from area of operation. Thoroughly inspect area where mower will be used and remove sticks, stones, wire, and debris.
3. Wear long pants and substantial shoes. Do not operate mower while wearing open-toed shoes, jewelry, loose clothing or when barefoot.
4. Check fuel level before starting engine. Do not fill fuel tank indoors, when the engine is running, or until engine cools for several minutes after running. Wipe up spilled gasoline before starting engine.
5. Keep all guards, shields, safety devices and optional grass catcher or side discharge chute in place. Repair or replace damaged parts, including decals. Check all safety devices before each use.
6. Traction drive, engine and blade are designed to stop when engine kill control bar is released. Ensure engine kill control bar and brake function properly before each use of mower.

WHILE OPERATING

7. Do not run engine indoors.
8. Always maintain secure footing. Keep a firm grip on the handle and walk; never run. Never operate mower in wet grass. Mow only in daylight or in good artificial light.

9. Mow across the face of slopes; never up and down. Use extreme caution when changing direction on slopes. Do not mow excessively steep slopes.

10. Always wear safety glasses or eye shields during operation to protect eyes from foreign objects that may be thrown from the machine. Keep face, hands, and feet away from the mower housing and cutter blade when the engine is running. Stay behind the handle until the engine stops.

11. Since the blade rotates for a few seconds after the blade control bar is released, stay behind the handle until all moving parts stop.

12. After striking a foreign object or if mower vibrates abnormally, stop engine and remove wire from spark plug. Check mower for damage and make all repairs before using mower again.

13. Stop the engine before adjusting the height-of-cut.

14. Stop the engine when crossing a gravel driveway, road, or sidewalk.

15. Stop engine before leaving the operator's position - behind the handle. Disconnect wire from spark plug if mower will be unattended.

16. Do not touch engine while it is running or shortly after it is stopped because engine will be hot enough to cause a burn.

17. Refuel only after engine is cool.

MAINTENANCE

18. Perform only those maintenance instructions described in this manual. If major repairs are ever needed or if assistance is desired, contact your local Authorized TORO Service Dealer.

19. Before mower is cleaned, inspected, serviced, or adjusted, stop engine and disconnect wire from spark plug. Keep wire away from plug to prevent accidental starting.

SAFETY INSTRUCTIONS

20. To ensure the mower is in safe operating condition, frequently check and keep all nuts, bolts, and screws tight. Ensure blade bolt is tightened to 50 ft-lb (68 N.m).

21. To reduce fire hazard, keep engine free of excessive grease, grass, leaves, and accumulations of dirt.

22. Allow engine to cool before storing mower in any enclosure. Do not store mower near any open flame or where gasoline fumes may be ignited by a spark.

23. Do not overspeed the engine by changing governor settings.

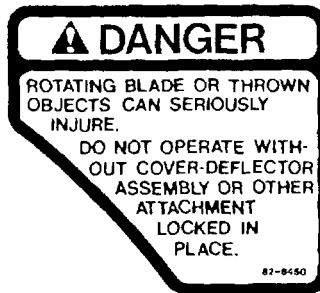
24. At the time of manufacture, the mower conformed to the safety standards in effect for rotary mowers. To ensure best performance and continued safety certification of the mower, use genuine TORO replacement parts and accessories. Replacement parts and accessories made by other manufacturers may result in non-conformance with the safety standards, and that could be dangerous.

SAFETY DECALS AND INSTRUCTIONS

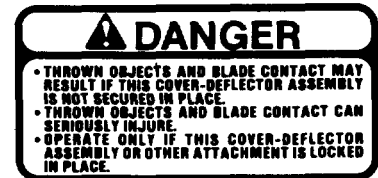
Safety decals and instructions are easily visible to the operator and are located near any area of potential danger. Replace any decal that is damaged or lost.



ON MOWER HOUSING
(Part No. 39-5770)



UNDER COVER-DEFLECTOR
ASSEMBLY ON MOWER DECK
(Part No. 82-8450)



ON TOP OF COVER-DEFLECTOR
ASSEMBLY ON MOWER DECK



ON CONTROL PANEL
(Part No. 63-9060)

TABLE OF CONTENTS

	Page		Page
Set-Up Instructions	3	Lubrication	9
Before Operating	4	Adjusting Blade Brake	9
Recycler® Mower Tips	5	Cleaning Mower Housing	10
Operating Instructions	6	Preparing Mower For Storage	10
Maintenance	7	Optional Equipment	11
Servicing Air Cleaner	7	Product Identification	11
Replacing Spark Plug	7	Toro Service Support	11
Draining Gasoline	7	The Toro Starting Guarantee	12
Adjusting Throttle	7	Guaranteed To Start Maintenance Record	14
Adjusting Wheel Drive	8	The Toro Total Coverage Guarantee	
Inspecting/Removing/Sharpening Blade	8		

SET-UP INSTRUCTIONS

INSTALL HANDLE AND STARTER ROPE

1. Align handle and tighten handle knobs (Fig. 1). Move handle latches slightly outward so they will not be in the way when pivoting the handle backward into the operating position (Fig. 1).
2. Pivot handle backward. Move handle latches inward while snapping handle stud into center hole of handle latch (Fig. 1). If a handle latch does not fit tightly against the handle tube, remove latch from handle stud, bend the latch inward, and reattach to handle stud. Repeat as necessary to ensure a tight fit between latch and handle.

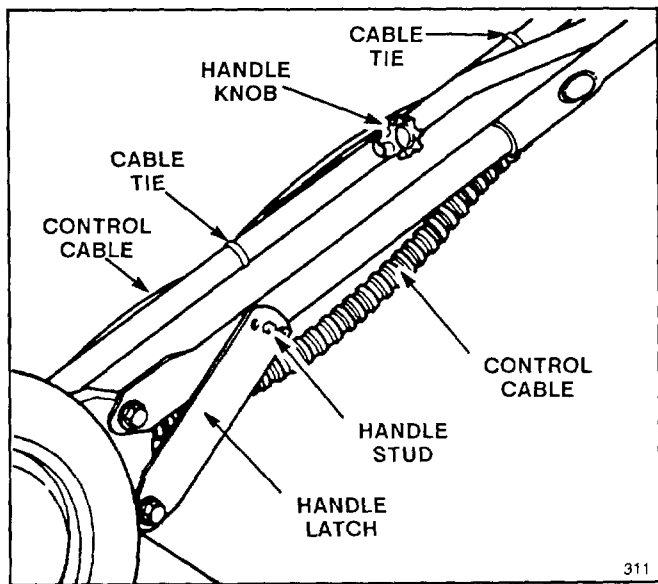


Figure 1

3. Ensure control cables (Fig. 1) are to the rear and inside of handles. Secure cables to handle with cable ties. Tighten handle knobs securely.

Note: If handle height is not satisfactory, adjust by placing handle stud (Fig. 1) into a different hole.

4. Pull starter rope through loop opening on handle (Fig. 2). By squeezing control bar on handle, blade brake will release and allow rope to be pulled up easily to loop.

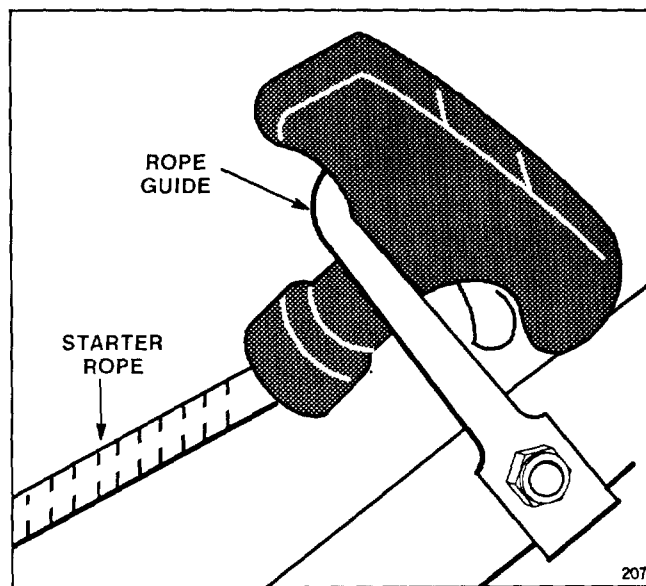


Figure 2

BEFORE OPERATING



WARNING

DANGER: Gasoline is extremely flammable and explosive under certain conditions. Do not smoke when handling fuel and keep fuel far away from open flames and sparks. Never buy more than a 30 day supply of gasoline. Store it in an approved container. Keep gasoline out of reach of children.

Refuel outdoors and only when engine is cold. Fill tank to within 1/4" to 1/2" (6 to 13 mm) from top of filler neck, not into filler neck. This space is for expansion of fuel. Use funnel or spout to prevent spilling. Wipe up any spilled gas.

MIX GASOLINE AND OIL (Fig. 3)

1. APPROVED OIL—For simplicity and best engine performance, mix the contents of one bottle of Toro 50:1 Two-Cycle Oil with two gallons of fresh, unleaded regular gasoline. Leaded regular gasoline may be used if unleaded regular is not available.

Toro Two-Cycle Oil is specially formulated to provide superior lubrication, make starting easy, and prolong engine life. If Toro Two-Cycle Oil is not available, mix two gallons of gasoline and 5.2 ounces of another high grade two-cycle oil that has the NMMA or BIA-TCW certification printed on the label.

IMPORTANT: YOU CAN ALSO USE TORO "EASY MIX" TWO-CYCLE OIL (3.2 OUNCE BOTTLE MIXED ONE PER GALLON OF GASOLINE) IN THIS TORO TWO-CYCLE ENGINE.

NEVER USE AUTOMOTIVE OIL (i.e. SAE 30, 10W30 etc.), TWO-CYCLE OIL THAT IS NOT CERTIFIED NMMA/BIA-TCW, OR THE WRONG MIX RATIO BECAUSE THE ENGINE CAN BE DAMAGED, AND IT WOULD NOT BE COVERED BY THE TORO WARRANTY.

Toro also recommends that Toro Stabilizer/Conditioner be used regularly in all Toro gasoline powered products during operation and storage seasons. Toro Stabilizer/Conditioner cleans the engine during operation

and prevents gum-like varnish deposits from forming in the engine during periods of storage.

2. Mixing Gasoline and Oil—Pour a half gallon of gasoline into an approved container and add the correct amount of two cycle oil. Install cap on gasoline container and shake the container to mix oil and gas thoroughly. Remove cap and add remaining amount of gasoline.

IMPORTANT: NEVER USE METHANOL, GASOLINE CONTAINING METHANOL, GASOHOL CONTAINING MORE THAN 10% ETHANOL, PREMIUM GASOLINE, OR WHITE GAS BECAUSE ENGINE FUEL SYSTEM DAMAGE COULD RESULT.

DO NOT USE FUEL ADDITIVES OTHER THAN THOSE MANUFACTURED FOR FUEL STABILIZATION DURING STORAGE SUCH AS TORO'S STABILIZER/CONDITIONER OR A SIMILAR PRODUCT. TORO'S STABILIZER/CONDITIONER IS A PETROLEUM DISTILLATE BASED CONDITIONER/STABILIZER. TORO DOES NOT RECOMMEND STABILIZERS WITH AN ALCOHOL BASE SUCH AS ETHANOL, METHANOL OR ISOPROPYL. ADDITIVES SHOULD NOT BE USED TO TRY TO ENHANCE THE POWER OR PERFORMANCE OF MACHINE.

NOTE: Do not mix gasoline and oil in the product fuel tank. Oil that is at room temperature mixes easier and more thoroughly than cold oil.

50:1 GAS/OIL Mixing Chart

U.S. GALLON	
Gasoline	Oil
1 gallon	2.6 oz.
2 gallon	5.2 oz.

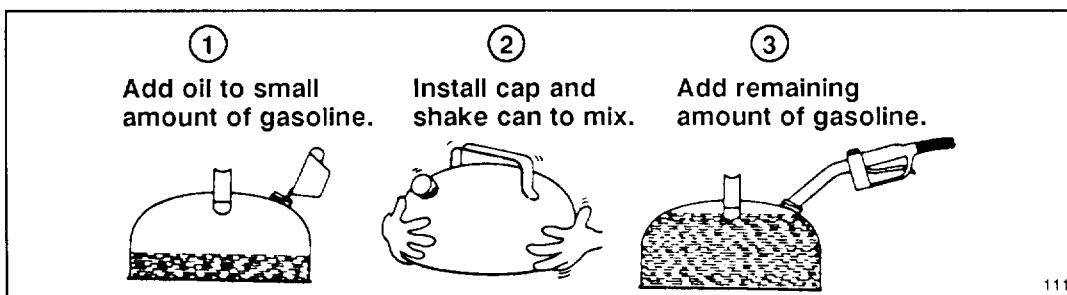


Figure 3

RECYCLER® MOWER TIPS

RECYCLER® MOWER FEATURES

Your Toro Recycler® mower has a new and completely different cutting concept; it leaves your lawn with a bagged look without bagging clippings.

The mower is equipped with special parts which increase your mower's ability to cut and recut grass clippings, leaves, and other yard debris into tiny particles which are injected down into the grass. These parts are:

- A special blade and blade stiffener
- Four special "kicker plates" positioned on the underside of the mower deck in strategic positions (Fig. 4)

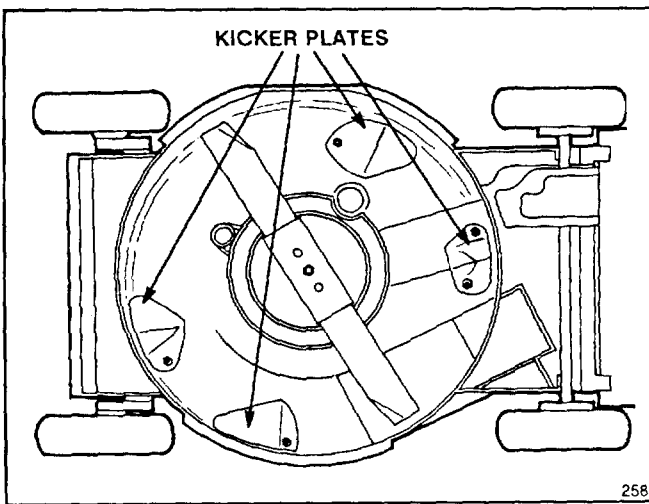


Figure 4

The blade and four kicker plates are permanent parts of your mower. Remove the blade only for sharpening or replacement. Never remove the kickers, unless they need to be replaced.

WARNING

- Wet grass can cause you to slip and contact blade.
- Blade contact can seriously injure you.
- Mow only in dry conditions.

TIPS FOR CUTTING GRASS

Even with the Recycler® mower, you may encounter conditions where it is not possible to hide all of the grass clippings or leaves all of the time down in the lawn. Follow these instructions for the best cutting results and lawn appearance:

- Maintain a **sharp blade** throughout the cutting season. Periodically file down nicks on blade.

- Clean any residue from the underside of mower housing and kickers after each use. See Cleaning Mower Housing, page 10.
- When cutting grass over 6" tall, you may want to cut the lawn twice to hide clippings down in the grass.
- In the heat of the summer, it is best to cut grass at the C, D or E height-of-cut settings. Cut only about 1/3 of the grass blade. Cutting below the C setting is not recommended unless grass is sparse or it is late fall when grass growth begins to slow down. When cutting long grass, you may need to use a higher height-of-cut setting and a slower walking speed; then recut the grass at a more normal setting. If grass is too long and leaves clumps on top of lawn, mower may plug and cause engine to stall.
- Alternate mowing direction. This helps disperse clippings over lawn for even fertilization.

If the lawn appearance is not satisfactory after mowing, try one or more of the following:

- Sharpen the blade.
- Walk at a slower pace while mowing.
- Raise the height-of-cut setting on your mower.
- Cut your grass more frequently.
- Overlap cutting swaths instead of cutting a full swath with each pass.
- Mow across the marginal areas a second time.
- Set height-of-cut on front wheels one notch lower than rear wheels. (example: set front wheels at "C" setting and rear wheels at "D" setting)

TIPS FOR CUTTING LEAVES

In the fall, use the Recycler® mower to cut leaves up into finely cut particles which will be injected down into the grass. When spring arrives, the leaf particles will have decomposed and restored valuable nutrients to the soil.

- Ensure leaves are dry.
- When cutting is complete, always be sure that 50% of the lawn shows through the cut leaf cover. This may require one or more passes over the leaves.
- For light leaf coverage, mow with all wheels at the same height-of-cut setting.
- If there are more than 5" of leaves on lawn, set the front wheels one or two notches higher than the rear wheels. This makes it easier to feed leaves under mower deck.
- Walk at a slower mowing speed if leaves are not cut up finely enough to be hidden down in the grass.
- If you cut up a lot of oak leaves, you might want to add lime to your grass in the spring. Lime reduces the acidity of oak leaves.

OPERATING INSTRUCTIONS

STARTING, STOPPING, AND SELF-PROPELLING

1. CONTROLS – Ground speed control, throttle, blade/self-propelled control bar, and fingertip starter are on upper handle (Fig. 5).

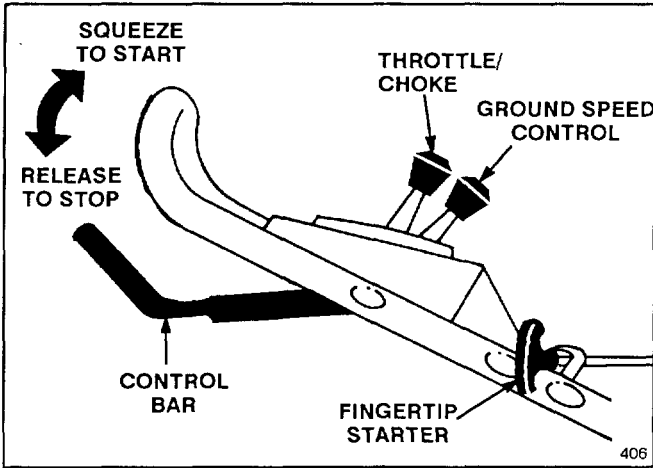


Figure 5

2. Push spark plug wire onto spark plug (Fig. 8).
 3. Move throttle to **N** (CHOKE) (Fig. 5).
 4. Move ground speed control to **N** (Fig. 5).
 5. Cover hole in center of primer with thumb and push once (Fig. 8).
- Note:** When starting a warm engine, it may not be necessary to move throttle to **N** or to prime engine.
6. Squeeze control bar against handle in the RUN/DRIVE position (Fig. 6).
 7. Pull fingertip starter out until positive engagement results; then pull vigorously to start the engine. Blade will rotate when engine is running.
 8. After engine starts, remove throttle from **N** and regulate throttle as desired.
 9. Move control bar to RUN/SHIFT position (Fig. 6).
 10. Move ground speed control to desired setting (Fig. 5).

There are three ground speed settings: number "1" is slow, "2" is medium, and "3" is a fast walking pace.

Move ground speed control to **N** when using the mower for trimming and whenever leaving mower. Ground speed varies depending on distance between control bar and handle.

11. Squeeze control bar against handle to the RUN/DRIVE position to self-propel.

Note: The drive wheels are equipped with freewheeling clutches which enable the mower to be pulled rearward easier when the wheel drive is disengaged. To disengage the clutches, mower must be pushed

forward at least 1" after wheel drive operation has stopped.

12. STOPPING (Fig. 6) – Release control bar to stop blade, engine, and traction drive. Move ground speed control to **N**. Pull wire off spark plug if mower will be unattended or not used.

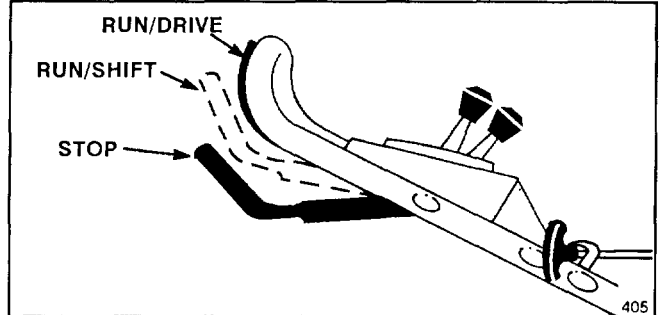


Figure 6

ADJUSTING HEIGHT-OF-CUT

! DANGER

- Adjusting height-of-cut levers could bring hands into contact with moving blade.
- Contact with blade could cause serious personal injury.
- Do not adjust the height-of-cut settings when engine is running and blade is rotating.
- Do not put fingers under housing to lift mower when adjusting height-of-cut levers.

Five letters cast into the housing represent the height-of-cut settings (Fig. 7).

1. Stop the engine and wait for all moving parts to stop.
2. For easier adjustment, lift housing up so wheel is off ground. **Do not put fingers under housing when lifting.** Squeeze adjusting lever toward wheel and move to desired setting (Fig. 7). Ensure pin on adjusting lever locks into notch in housing. Adjust all wheels to the same setting.

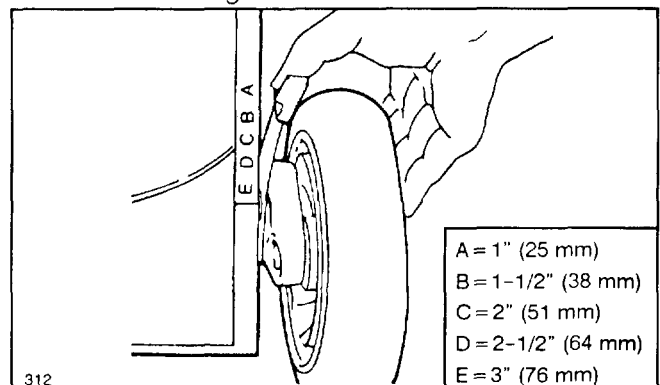


Figure 7

Note: Front wheels can be adjusted to 1/2". Move adjusting lever past "A" and release pin into notch in housing.

MAINTENANCE

CAUTION

- Engine could start accidentally.
- Accidental starting of engine could cause serious injury to operator or bystanders.
- Pull wire off spark plug before performing any maintenance or adjustments.

SERVICING AIR CLEANER

Normally, clean air cleaner after every 25 operating hours. More frequent cleaning is required when mower is operated in dusty or dirty conditions.

1. Stop engine and pull wire off spark plug (Fig. 8).
2. Lift tabs at top of air cleaner cover and pivot cover down. Clean cover thoroughly (Fig. 8).

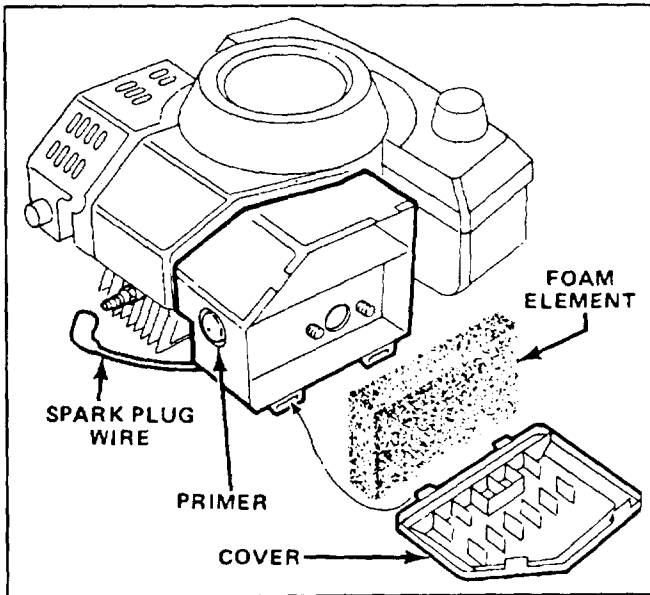


Figure 8

3. If outside of foam element is dirty, remove it from air cleaner body (Fig. 8). Clean thoroughly.
 - A. WASH foam element in a solution of liquid soap and warm water. Squeeze to remove dirt, but do not twist because foam may tear. Rinse thoroughly in clear water.
 - B. DRY by wrapping in a clean rag. Squeeze rag and foam element to dry.
 - C. SATURATE element with approximately 5 ounces (150 ml) of SAE 10W30 engine oil. Squeeze element to remove excess oil and to distribute oil thoroughly. A damp element is desirable.

4. Reinstall foam element and air cleaner cover.

IMPORTANT: Do not operate engine without air cleaner element because extreme engine wear and damage will likely result.

REPLACING SPARK PLUG

Use an NGK BPMR4A spark plug or equivalent. Correct air gap is 0.032" (0.81 mm). Remove plug after every 25 operating hours and check its condition.

1. Stop engine and pull wire off spark plug (Fig. 8).
2. Clean around spark plug and remove plug from cylinder head.

IMPORTANT: Replace a cracked, fouled, or dirty spark plug. Do not sand blast, scrape, or clean electrodes because engine damage could result from grit entering cylinder.

3. Set air gap at 0.032" (0.81 mm) (Fig. 9). Install correctly gapped spark plug and gasket seal. Tighten plug firmly to 10 ft-lb (13.6 N·m).

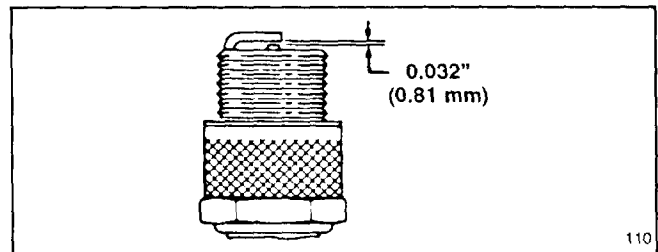


Figure 9

DRAINING GASOLINE

1. Stop engine and pull wire off spark plug (Fig. 8).


Note: Drain gasoline from a cold engine only.

2. Remove cap from fuel tank and use pump-type syphon to drain fuel into clean gas can.

Note: This is the only procedure recommended for draining fuel.

ADJUSTING THROTTLE

Throttle control adjustment may be required if engine does not start or stop. Whenever a new throttle control cable is installed, throttle must be adjusted.

1. Stop engine and pull wire off spark plug (Fig. 8).
2. Move throttle control to  (FAST).
3. Loosen cable clamp screw until throttle cable slides (Fig. 10).

MAINTENANCE

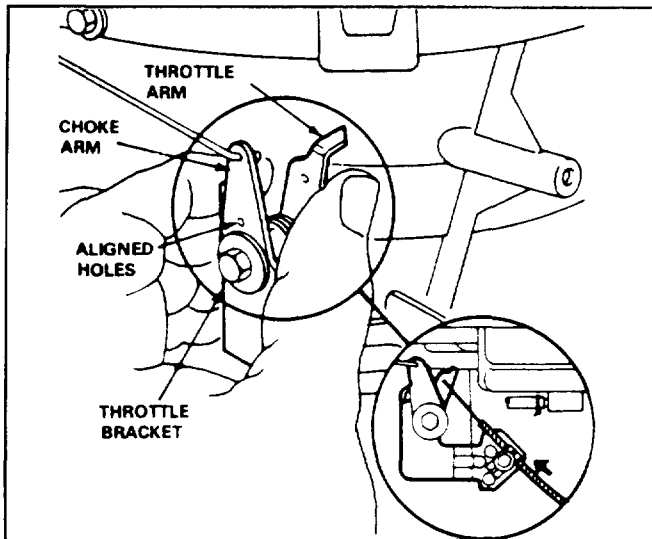


Figure 10

4. Check to see if holes in choke arm and throttle bracket are aligned (Fig. 10). If not, follow adjustment procedure in step 5.

5. **ADJUSTMENT**—Use a small diameter pin to align holes in choke arm and throttle bracket. Push throttle cable until throttle lever contacts choke arm (Fig. 10). Tighten cable clamp screw to lock adjustment in place. Remove pin.

ADJUSTING WHEEL DRIVE

If mower does not self-propel or has a tendency to creep forward when drive is not engaged, adjust wheel drive control knob on rear of gear box.

1. Stop engine and pull wire off spark plug (Fig. 8).
2. Lift control bar until some resistance is felt. The control bar should be 1-1/2" from handle when properly adjusted (Fig. 11).

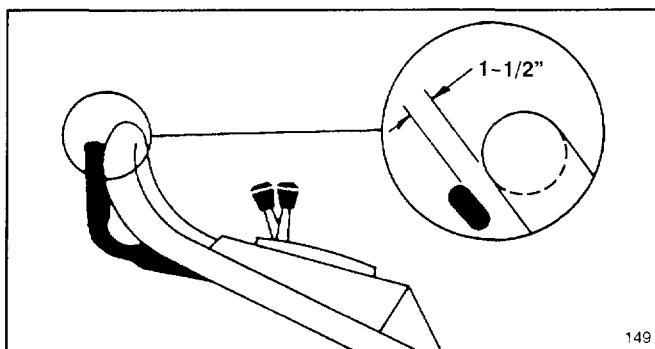


Figure 11

3. **ADJUSTMENT** (Fig. 12)—Rotate control knob clockwise to increase distance between control bar and handle. Rotate control knob counterclockwise to decrease distance between control bar and handle.

4. Repeat steps 2 and 3 until properly adjusted.

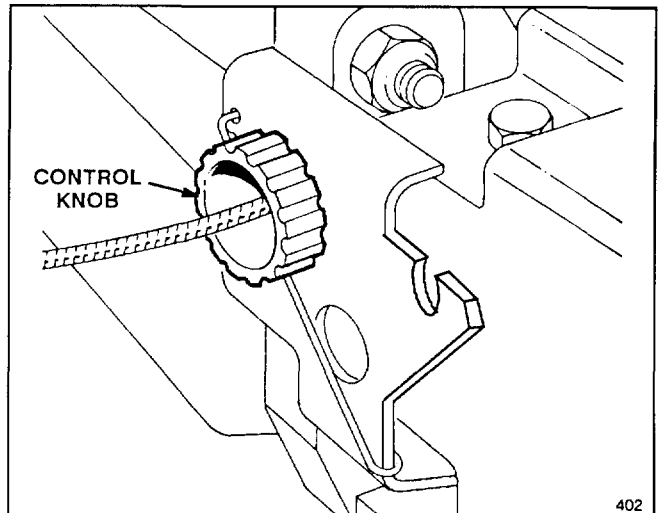


Figure 12

INSPECTING/REMOVING/SHARPENING BLADE

1. Stop engine and pull wire off spark plug (Fig. 8).
2. Drain gasoline from fuel tank; refer to Draining Gasoline, page 7.
3. Tip mower on its right side (Fig. 13). Avoid rotating blade as starting problems may result.

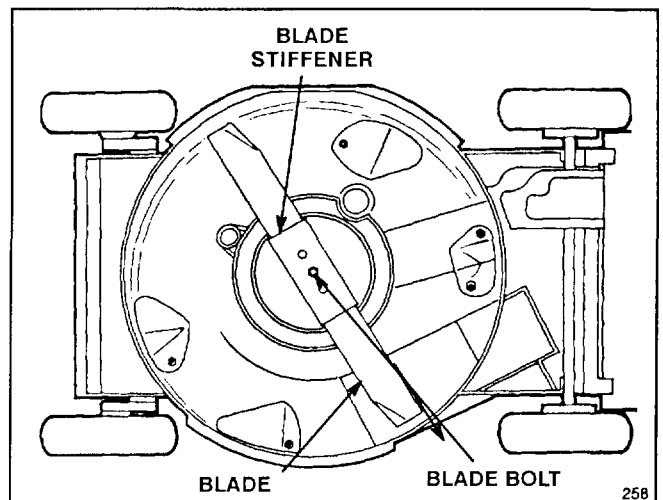


Figure 13

4. **INSPECTING BLADE**—Carefully examine blade for sharpness and wear, especially where flat and curved parts meet (Fig. 14A). Since sand and abrasive material can wear away the metal that connects the flat and curved parts of the blade, check blade before using the mower. If a slot or wear is noticed, (Fig. 14B & C), replace blade. Refer to step 5.

MAINTENANCE

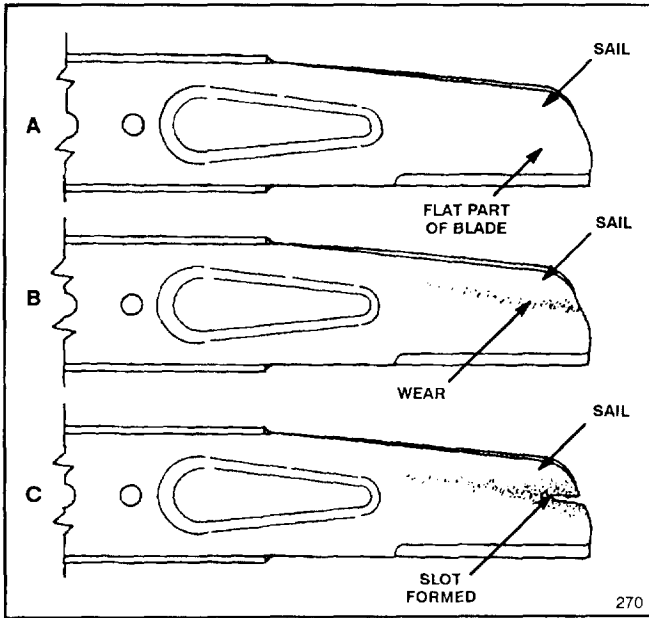


Figure 14



DANGER

- A worn or damaged blade could break and a piece of blade could be thrown into operator's or bystander's area.
- A thrown piece of blade could cause serious personal injury or death to operator or bystanders.
- Inspect blade periodically for wear or damage.
- Replace a worn or damaged blade.

5. **REMOVING BLADE** – Grasp end of blade using a rag or thickly padded glove. Remove blade bolt, blade stiffener, and blade (Fig. 13).

NOTE: For best performance, install new blade before cutting season begins. During the year, file down small nicks to maintain the cutting edge.

6. **SHARPENING BLADE** – Using a file, sharpen top side of blade (side facing mower housing) and maintain original cutting angle (Fig. 15). The blade will remain balanced if the same amount of material is removed from both cutting edges.

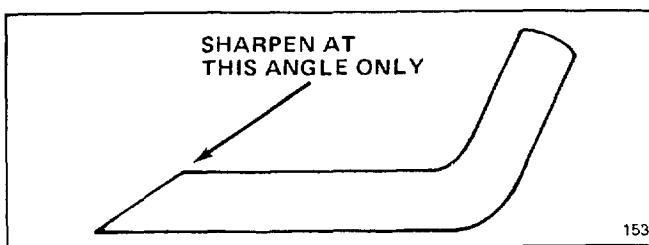


Figure 15

IMPORTANT: Check balance of blade by putting it on a blade balancer. An inexpensive balancer can be purchased at a hardware store. A balanced blade will stay in a horizontal position and an unbalanced blade will settle to the heavy side. If the blade is not balanced, file more metal off cutting edge on heavy end of blade.

7. Install sharp, balanced TORO blade, blade stiffener, and blade bolt. Sail part of blade must point toward top of mower housing to ensure correct installation. Tighten the blade bolt to 50 ft-lbs (68 N.m).

LUBRICATION

After every 25 operating hours or when season ends, front and rear wheels must be lubricated.

1. Apply 2 or 3 drops of light oil on inside and outside of all wheel bolts. Spin wheels to distribute oil into bushings. Wipe up excess oil.

2. Move rear wheel height-of-cut levers to "C" setting. Wipe grease fittings with clean rag (Fig. 16). Install grease gun onto fitting and gently apply two or three pumps of #2 Multi-Purpose Lithium Base Grease.

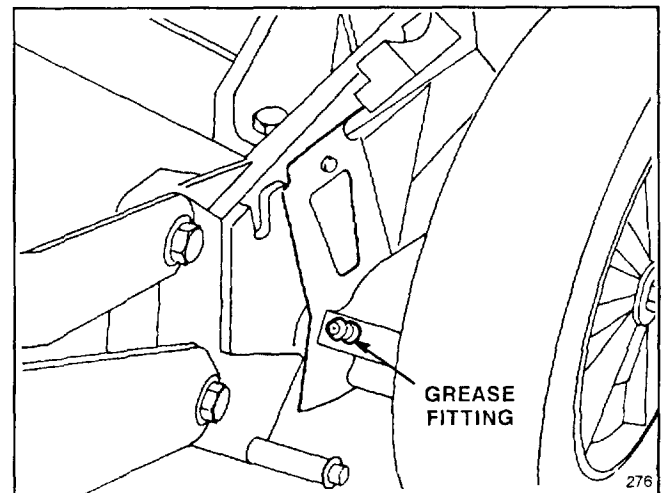


Figure 16

ADJUSTING BRAKE CABLE

Whenever a new blade brake cable assembly is installed, an adjustment is required.

1. Stop engine and pull wire off spark plug (Fig. 8).

2. **CHECK ADJUSTMENT** (Fig. 17) – Move control bar toward handle until slack in wire is removed. Gap between brake lever and handle must be 3/16-1/4 inch. See step 3 for adjustment.

3. **ADJUST CABLE CONDUIT** (Fig. 17) – Loosen nut on cable bracket. Insert 3/16-1/4" object between brake lever and handle. Pull down on cable conduit until all slack is removed from wire. Then tighten nut.

MAINTENANCE

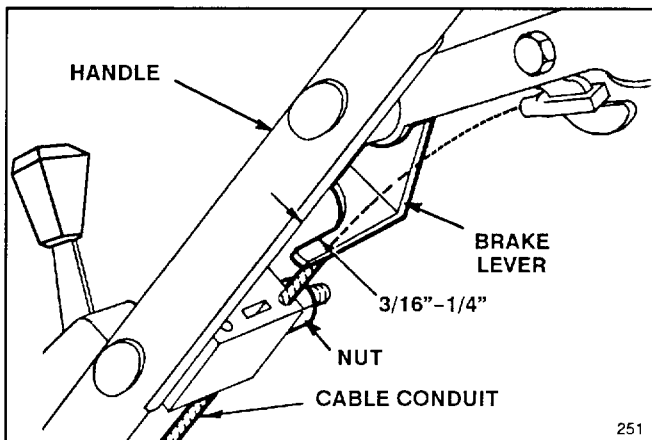


Figure 17

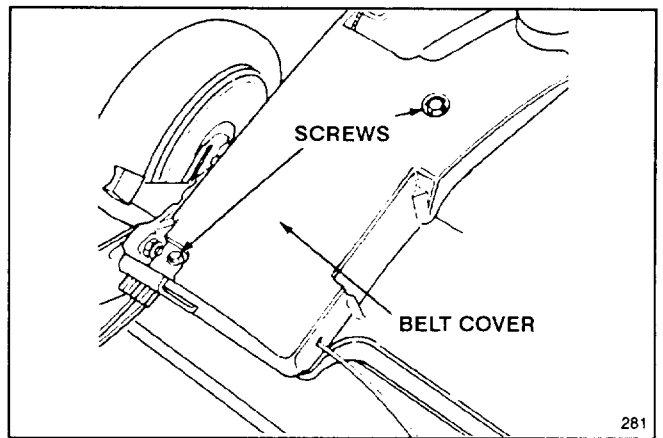


Figure 19

CLEANING MOWER HOUSING

Keep underside of mower housing clean. Be especially careful to keep kickers on underside of mower housing free of debris (Fig. 18).

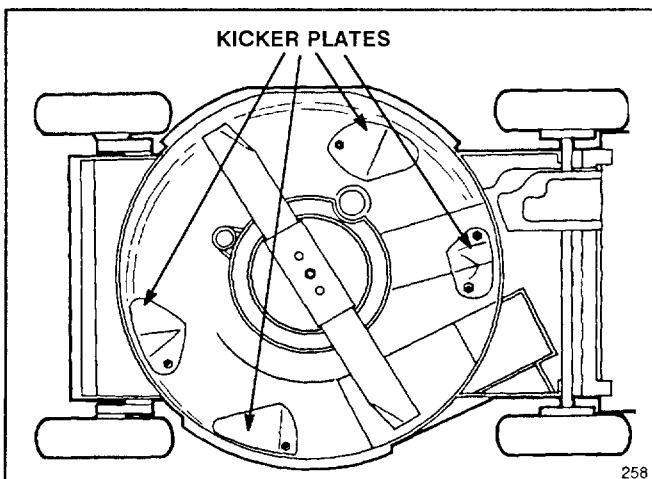


Figure 18

1. Stop engine and pull wire off spark plug (Fig. 8).
2. Drain gasoline from fuel tank: refer to Draining Gasoline, page 7.
3. Tip mower on its right side (Fig. 18). Avoid rotating blade as starting problems may result.
4. Remove dirt and grass clippings that stick to housing by scraping it with a hardwood scraper. Avoid burrs and sharp edges.
5. Remove (2) screws securing belt cover to deck (Fig. 19). Lift off cover.
6. Brush out all accumulated grass clippings and debris from belt area.
7. Reinstall belt cover with (2) screws.

PREPARING MOWER FOR STORAGE

1. For long term storage, either drain gasoline from fuel tank or add a fuel stabilizer to the gasoline. To drain gasoline, refer to Draining Gasoline, page 7. After fuel is drained, start engine and let it idle until all fuel is consumed and engine stops. Repeat the starting procedure two more times to assure all gas is removed from the engine. If gasoline is not drained, gum-like varnish deposits will form and cause poor engine operation, even starting problems.

Fuel can be left in gas tank only if a fuel additive, such as Toro's Stabilizer/Conditioner, is added to gasoline and run through engine before storing. Toro's Stabilizer/Conditioner is a petroleum distillate based conditioner/stabilizer. Toro does not recommend stabilizers with an alcohol base, such as ethanol, methanol or isopropyl. Use fuel additive in recommended quantities as specified on container.

Under normal conditions, fuel additives remain effective in fuel for 6-8 months.

2. Remove spark plug and pour 2 tablespoons of SAE 30 oil into hole in cylinder. Pull starter rope slowly to coat inside of cylinder. Install spark plug and tighten to 10 ft-lb (20.4 N-m). **DO NOT INSTALL WIRE ON SPARK PLUG.**
3. Check condition of blade: refer to Inspecting/Removing/Sharpening Blade, page 8.
4. Tighten all nuts, bolts, and screws.
5. Clean dirt and chaff from cylinder, cylinder head fins, and blower housing. Also remove grass clippings, dirt, and grime from external parts of the engine, shrouding, and top of mower housing.
6. Clean underside of mower housing: refer to Cleaning Mower Housing, page 10.
7. Remove belt cover and clean out all grass clippings and debris from belt area: refer to Cleaning Mower Housing, page 10.
8. Clean air cleaner: refer to Servicing Air Cleaner, page 7.
9. Lubricate the wheels: refer to Lubrication, page 9.

MAINTENANCE

10. Touch up all rusted or chipped paint surfaces. Toro Re-Kote paint is available from an Authorized TORO Service Dealer.

11. Store mower in a clean, dry place. Cover mower to keep it clean and protected.

OPTIONAL EQUIPMENT

1. **Rear Bagging Kit , Model No. 59174**—Install discharge tunnel and rear mounting grass bag to convert Recycler® mower to a rear bagging mower (Fig. 20). Includes discharge tunnel plug.

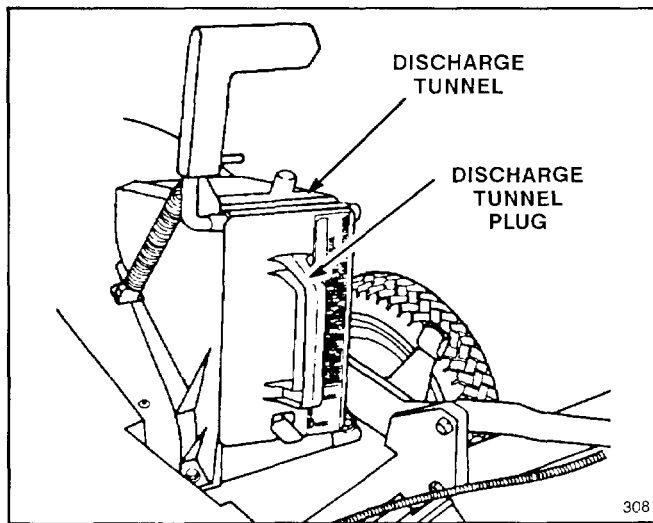


Figure 20

2. **Recycler® Side Discharge Kit, Model No. 59180**—Install discharge tunnel and rear mounted side discharge chute to convert Recycler® mower to a side discharge mower (Fig. 21). Includes discharge tunnel plug.

3. **Dethatcher Kit, Model No. 59131**—As spring tines on the Toro Dethatcher (Fig. 22) scratch and vibrate through the grass, thatch is loosened and cut and recut by the mower.

4. **Spark Arrestor, Part No. 81-0200**—If a spark arrestor is required because of local, state, or federal regulations, it may be purchased at your local Authorized TORO Service Dealer. If mower is operated on

any California forest, brush, or grass covered land without a properly operating spark arrestor, the operator is violating state law, Section 4442 Public Resources Code.

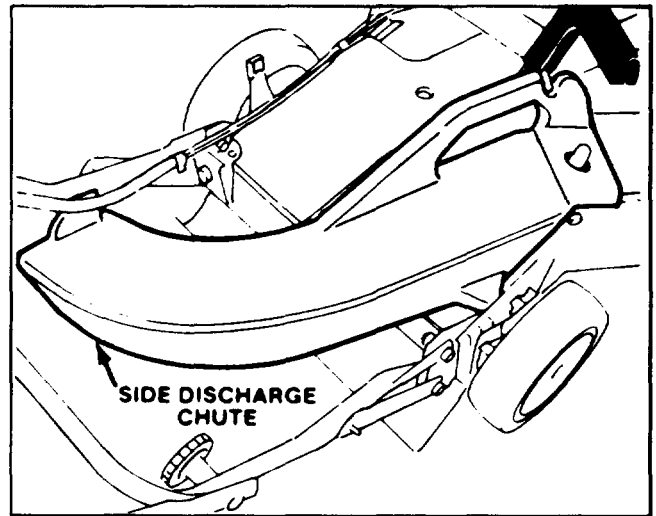


Figure 21

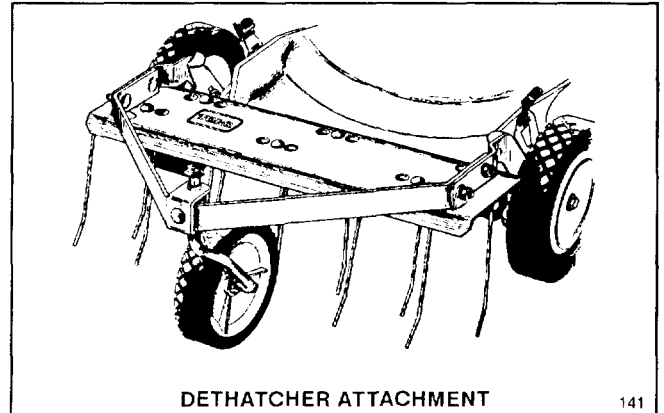


Figure 22

PRODUCT IDENTIFICATION

A model and a serial number decal is located on underside of control panel. Always refer to specific numbers on this decal in correspondence or when replacement parts are needed.

TORO SERVICE SUPPORT

If help – concerning safety, set-up, operation, maintenance, or troubleshooting – is ever needed, contact the local Authorized TORO Service Dealer or Distributor. Refer to the “Yellow Pages” for assistance. In addition to skilled service technicians, the dealer and distributor have factory approved accessories and replacement parts. Keep your Toro all TORO. Buy genuine TORO replacement parts and accessories.

It is Toro's policy to design and produce high quality products. To ensure customer satisfaction, Toro has extensive warranty coverage on its products. Your TORO GTS Engine powered product has two warranty statements covering it. The Toro Promise is our standard warranty statement and is printed on the last page of this manual.

In addition to The Toro Promise, we are so confident that the TORO GTS Engine will provide a high level of performance and durability that we are providing a *Starting Guarantee!* Please read the details of this additional warranty coverage printed below.

THE TORO STARTING GUARANTEE

A Five Year Limited Warranty On All Toro GTS Engines

What Is Covered?

The Toro Company guarantees that your TORO GTS Engine will start on the first or second pull for five years from the date of purchase—if you provide the routine maintenance it requires—or we will fix it. The cost of parts and labor are included, but you must pay transportation costs. This covers TORO GTS rotary mower engines purchased after September 1, 1988, and TORO GTS snow engines (Models 38180 and 38185) purchased after August 31, 1989.

What Must You Do To Keep The Warranty In Effect?

You must maintain your TORO GTS Engine by following the maintenance schedule detailed in the operator's manual, at your expense. You must record this work in the maintenance chart provided in your owner's manual and keep your proof of purchase.

How Do You Get Service?

If the starting performance of your TORO GTS Engine should diminish to the point where it will not start in one or two pulls by a normal, able-bodied adult, you should follow the procedures below:

1. Contact any Authorized TORO Service Dealer, TORO Master Service Dealer, or TORO Distributor (the Yellow Pages of your telephone directory is a good reference source).
2. He will either instruct you to return the product to him or recommend another Authorized TORO Service outlet which might be more convenient.
3. Bring the product, your maintenance records, and proof of purchase to the Service Dealer.

If, for any reason, you are dissatisfied with the Dealer's analysis of your engine's starting condition, or the assistance provided, please feel free to contact us:

TORO Customer Service Department
8111 Lyndale Avenue South
Minneapolis, Minnesota 55420

What Does This Warranty Not Cover?

This Warranty does not cover:

1. Any repairs on products used commercially.
2. Normal maintenance including replacement of spark plugs, air filter, fuel filter, and carburetor adjustments.
3. Oil change and lubrication.
4. Repairs or adjustments due to:
 - a. Failure to follow proper maintenance procedures;
 - b. Rotary mower blade striking an object;
 - c. Contaminants in the fuel system;
 - d. Improper fuel or fuel mixture (consult your owner's manual if in doubt);
 - e. Failure to drain the fuel system prior to any period of non-use over three months;
 - f. Operation misuse, neglect or accidents;
 - g. Repairs or attempted repairs by anyone other than an Authorized TORO Service Dealer.
5. Special operational conditions where starting may require more than two pulls, including:
 - a. First time starts after extended period of non-use or seasonal storage;
 - b. Cool temperature starts such as those found in early spring and late fall may require an additional pull or two (applies to rotary products only);
 - c. Improper starting procedures. If you are having difficulty starting your unit, please check the operator's manual to ensure you are using the correct starting procedures. This can save an unnecessary visit to a Service Dealer.

All warranty repairs reimbursable under this warranty must be performed by an Authorized TORO Service Dealer using Toro approved replacement parts.

The above remedy through repair by an Authorized TORO Service Dealer is the purchaser's sole remedy.

How Does State Law Relate To This Warranty?

There is no other express warranty except for The Toro Promise. All implied warranties of merchantability (that the product is fit for ordinary use) and fitness for use (that the product is fit for a particular purpose) are limited to the duration of the express warranty.

Some states do not allow limitation on how long implied warranties last, so the above exclusion may not apply to you.

The Toro Company is not liable for indirect, incidental or consequential damages in connection with the use of the product, including any cost or expense of providing substitute equipment or service during periods of malfunction or non-use.

Some states do not allow exclusions of incidental or consequential damages, so the above exclusion may not apply to you.

This warranty gives you specific legal rights, and you may also have other rights which vary from state to state.

