



**Oil Drain Kit**  
**GreensPro™ 1200 Greens Roller**  
 Model No. 111-7118

**Installation Instructions**

**⚠ WARNING**

**CALIFORNIA**  
**Proposition 65 Warning**

This product contains a chemical or chemicals known to the State of California to cause cancer, birth defects, or reproductive harm.

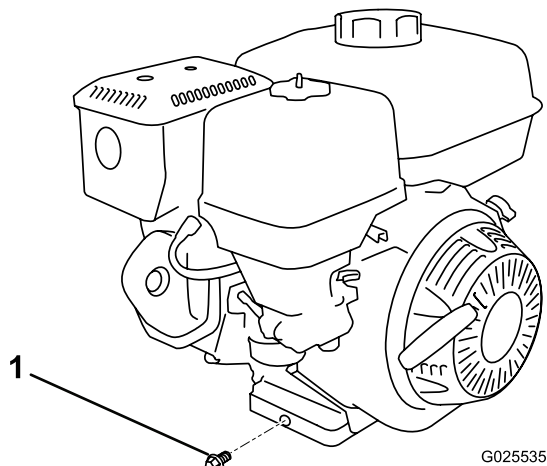
**Loose Parts**

Use the chart below to verify that all parts have been shipped.

Description	Qty.	Use
Oil-drain adapter	1	Install the oil drain kit.
Oil-drain valve	1	
Oil-drain hose	1	

**Installing the Oil Drain Kit**

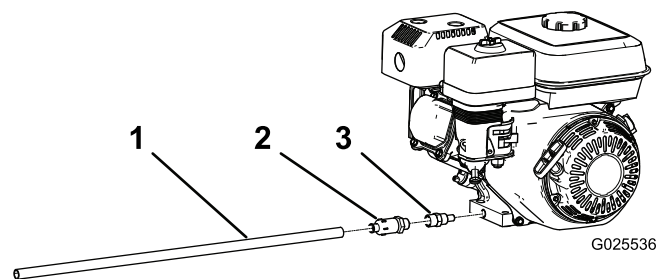
1. Raise the machine onto the transport wheels.
2. Tilt the machine so that the end of the machine with the engine is closer to the ground, and support the other end to hold it in this position.
3. Place a suitable container under the oil-drain plug.
4. Remove the oil-drain plug, and allow the oil to drain. Figure 1.



**Figure 1**

1. Oil-drain plug

5. Install the oil-drain adapter into the oil-drain hole (Figure 2).



**Figure 2**

1. Oil-drain hose
2. Oil-drain valve
3. Oil-drain adapter

6. Install the oil-drain valve into the oil-drain adapter (Figure 2).
7. Ensure that the oil-drain valve is closed.

**Note:** To close the oil-drain valve, push it in and turn it clockwise (Figure 3).



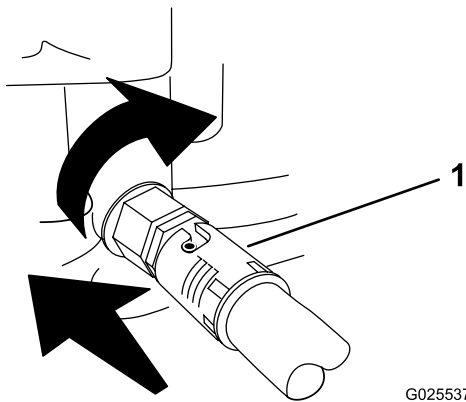


Figure 3

8. Fill the engine with fresh oil until it reaches the appropriate level; refer to the machine *Operator's Manual*.

**Important:** Watch to ensure that there are no oil leaks.

9. Install the dipstick.

Keep the oil-drain hose in a safe place, and use it when you drain the oil.

## Operation

### Using the Oil Drain Kit

Change the oil on a machine with the oil drain kit as follows:

**Important:** Refer to the machine *Operator's Manual* for more information about changing the engine oil.

1. Raise the machine onto the transport wheels.
2. Tilt the machine so that the end of the machine with the engine is closer to the ground, and support the other end to hold it in this position.
3. Install the drain hose onto the oil-drain valve (Figure 4).

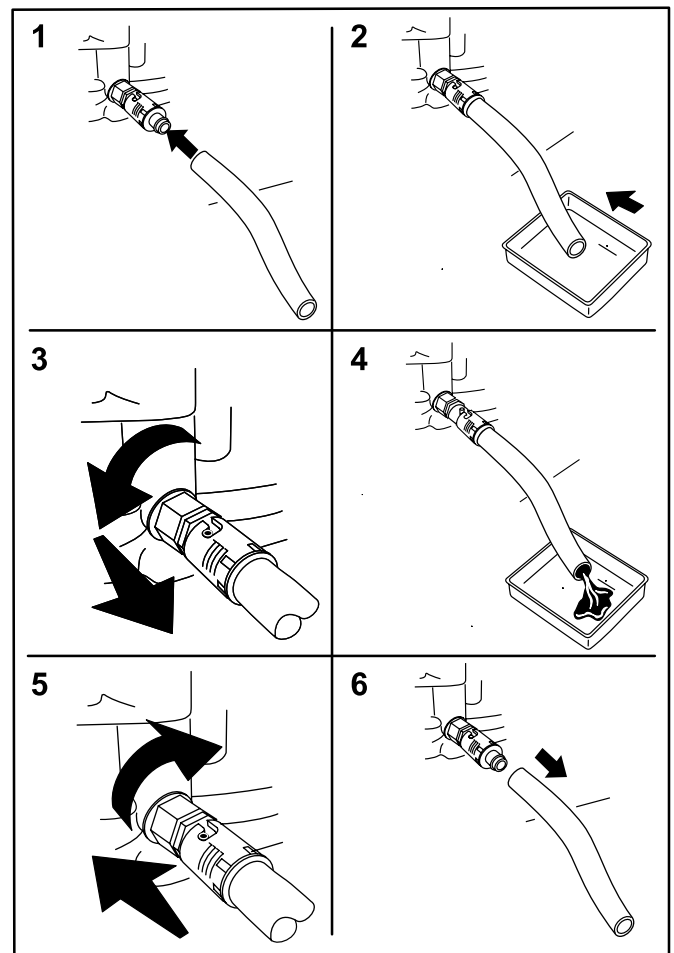


Figure 4

4. Place the other end of the hose into a suitable container for oil (Figure 4).
5. Turn the oil-drain valve 1/4 turn counterclockwise to start draining the oil (Figure 4).
6. When all the oil is drained, push the oil-drain valve in and turn it 1/4 turn clockwise to close the valve (Figure 4).
7. Remove the drain hose and wipe up any oil that may have spilled.
8. Fill the crankcase with the specified oil until the oil is at the appropriate level; refer to the machine *Operator's Manual*.
9. Install the dipstick.
10. Dispose of the oil properly. Recycle it according to local codes.