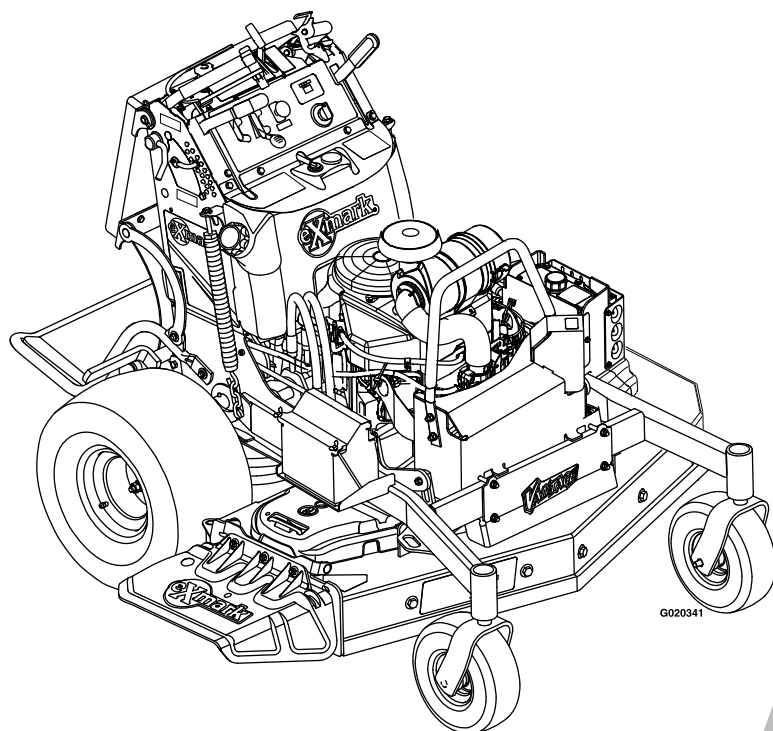




VANTAGE® X-SERIES

Model No. VTX740EKC604—Serial No. 31400000 and Up

Picture below may not reflect actual product.



Parts Manual

Part No. 4501-802 Rev. A

Ordering Replacement Parts

To order replacement parts, please supply the part number, the quantity, and the description of each part desired.

Understanding Reference Numbers

Each identified part in an illustration has a reference number. The reference number for a part also appears in the parts list, along with other information about the part.

This catalog uses two special reference number formats, one to indicate parts in a service assembly and another to indicate the quantity of a given part in an illustration.

Service Assembly Reference Numbers

Parts in service assemblies have reference numbers in the form a:b. The a represents the reference number of the entire service assembly and the b represents a sequential number unique to each part within the service assembly.

For example, a wheel assembly might be identified by reference number 6, the tire by 6:1, the valve by 6:2, and the wheel by 6:3. When you order the assembly identified by reference number 6, you receive all parts identified by reference numbers 6:1, 6:2, and 6:3. However, you may also order any part individually. Reference numbers of this type appear in illustration and in parts lists.

Reference Numbers Indicating Quantity

In an illustration, if a reference number indicates more than one part, the reference number has the form nX y. The n represents the quantity of the part, the X is the multiplication symbol, and the y represents the reference number.

For example, in an illustration, the reference number 2X 37 means that two of the parts identified by reference number 37 are indicated.

List of Abbreviations

AR: as required	HJ: hex jam	PRH: phillips round head
ASM: assembly	HLH: hex lag head	PTH: phillips truss head
BBC: blade brake control	HOC: height-of-cut	PTO: power-take-off
BHTF: button head thread forming	HSBH: hex socket button head	RH: right hand
CARR: carriage	HSFH: hex socket flat head	ROPS: roll-over protection system
CCW: counter clockwise	HSH: hex socket head	RRB: rear roller brush
CW: clockwise	HWH: hex washer head	SFH: slotted fillister head
DEG: degrees	HWHTF: hex washer head thread forming	SHH: slotted hex head
DPA: Dual Point Adjustment	HYD: hydraulic	SHWH: slotted hex washer head
ECM: electronic control module	LH: left hand	SPH: slotted pan head
EXT: external	LP: Liquefied Petroleum Gas	SQH: square head
FH: flat head	LPG: Liquefied Petroleum Gas	SRH: slotted round head
GA: gauge	NI: nylon insert	STD: standard
HD: heavy-duty	NPTF: national pipe thread fine	TAP: self tapping
HF: hex flange	PFH: phillips flat head	TTH: torx truss head
HH: hex head	PPH: phillips pan head	
HHF: hex head flange	PPHTF: phillips pan head thread forming	
HHFTF: hex head flange thread forming		

Touch Up Paint

Exmark black touch up spray paint – gloss black.

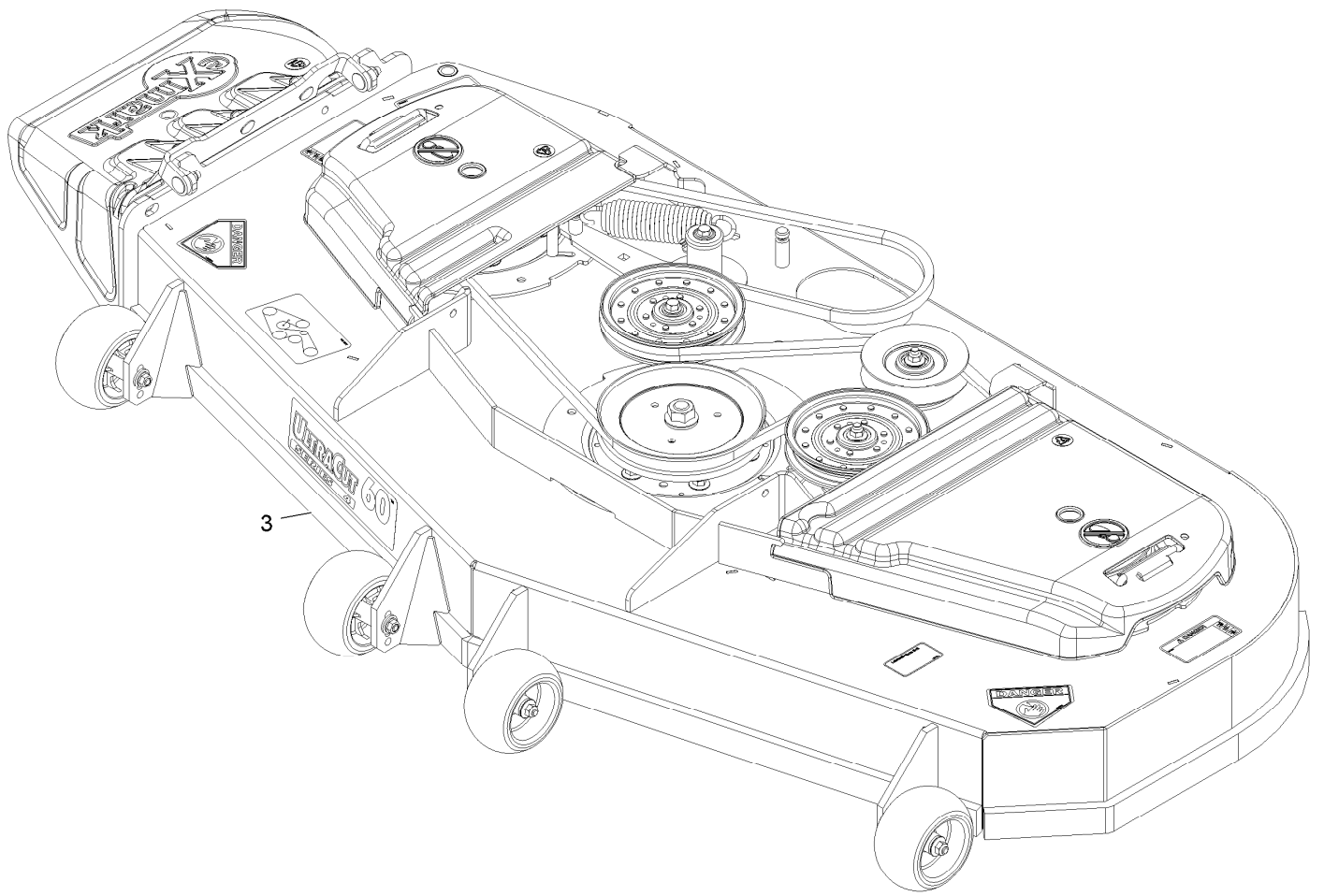
Exmark red touch up paint (spray paint – P/N 1-850337 - .6 oz liquid bottle – P/N 103-9140).



If your Exmark dealer does not have the Exmark part in stock, Exmark will get the parts to the dealer the next business day or the part will be FREE Guaranteed!! (Some restrictions apply. See your participating Exmark Dealer for details.)

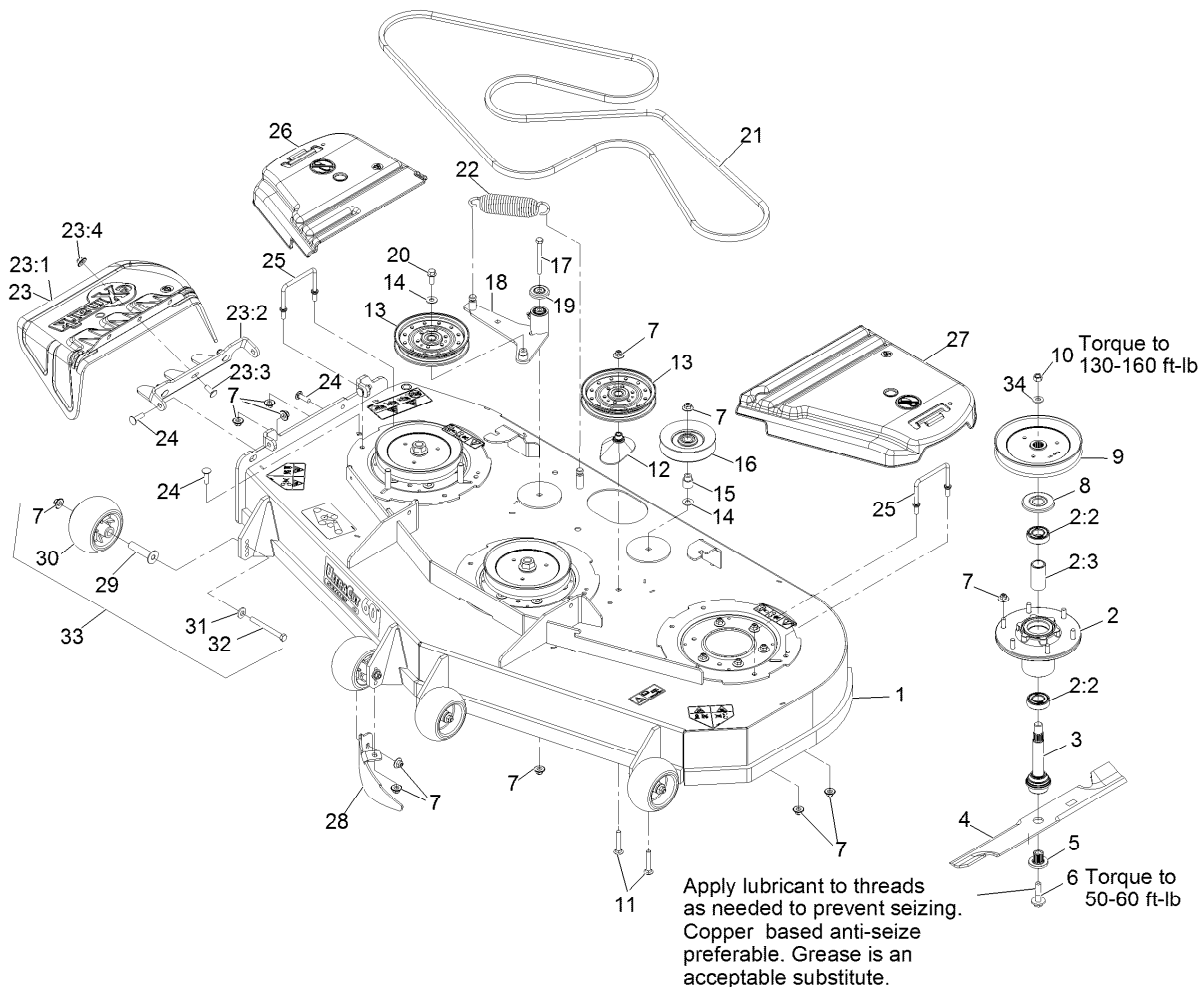
Contents

Complete Deck Assembly.....	4
Deck Assembly.....	5
Deck W/Decals Assembly No. 116-5029.....	6
Idler Arm Assembly No. 116-6045.....	7
Main Frame Assembly.....	8
Tower W/Decals Assembly No. 116-8854.....	9
Wheel and Bearing Assembly No. 112-3810.....	10
Park Brake Assembly.....	11
Deck Lift Assembly.....	12
Platform Group.....	14
Cushion Assembly No. 126-1210.....	15
Platform Assembly No. 116-1804.....	16
Ground Drive Assembly.....	17
Pump Idler Assembly No. 116-9980.....	19
Control Assembly.....	20
Vertical Adjust Link Assembly No. 116-7738.....	22
Rod Assembly No. 116-7756.....	23
Rod Assembly No. 116-8681.....	24
Engine Assembly.....	25
Fuel Tank Assembly No. 116-4577.....	26
Fuel Assembly.....	27
Electrical Assembly.....	28



Complete Deck Assembly

<i>Ref.</i>	<i>Part Number</i>	<i>Qty.</i>	<i>Description</i>
3	116-6180	1	ASM-Deck Complete 604

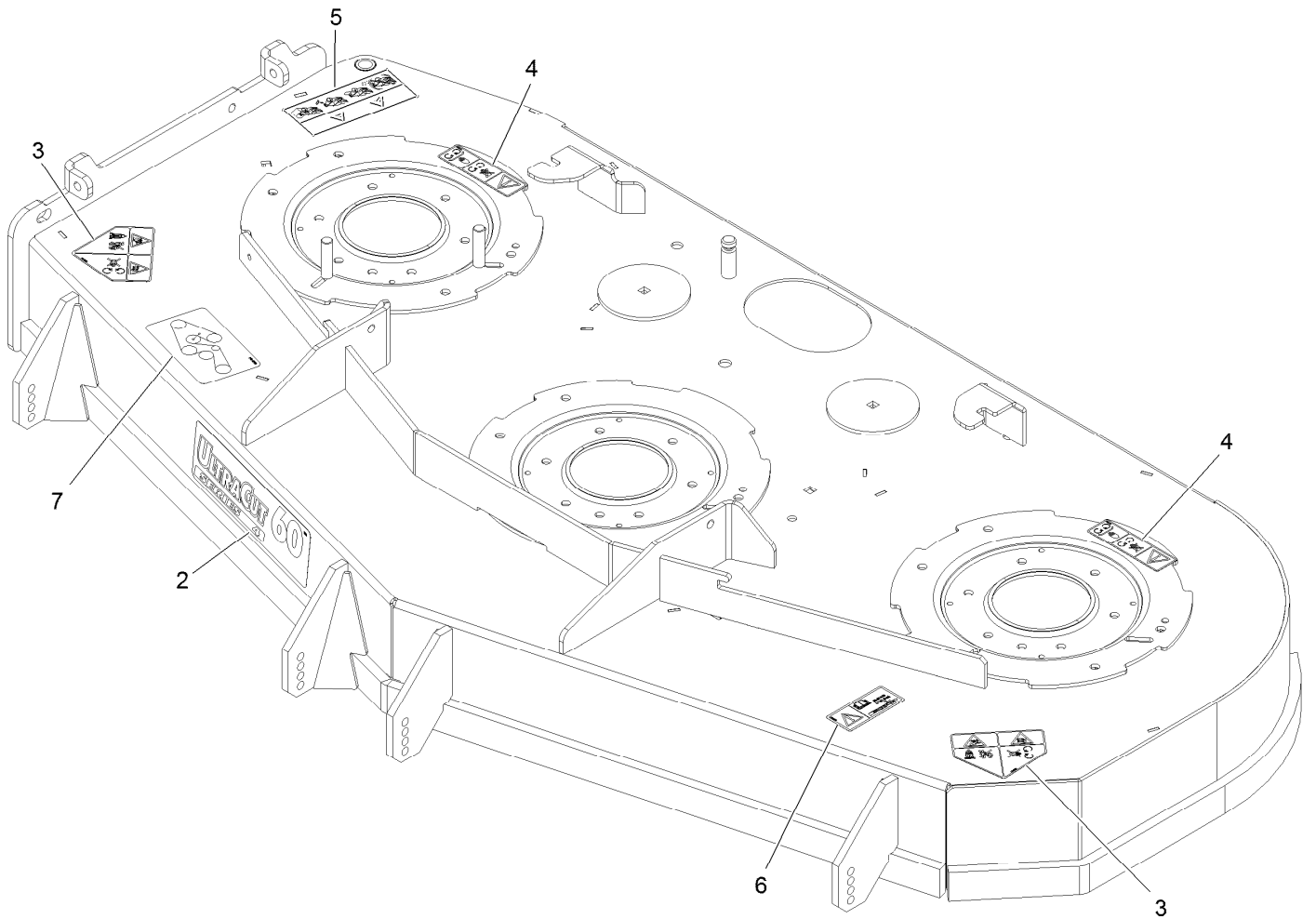


Deck Assembly

Ref.	Part Number	Qty.	Description	Ref.	Part Number	Qty.	Description
1	116-5029	1	Deck ASM-604	16	1-603805	1	Pulley-Idler
2	116-3344	3	ASM-Cutter Hsg With Bearings	17	323-15	1	Screw-HH
2:2	116-0720	2	Bearing-Ball	18	116-6045	1	Deck Idler ASM
2:3	116-3312	1	Spacer-Bearing	19	103-2916	1	Guard-Top
3	116-3341	3	ASM-Spindle And Seal ■	20	3234-11	1	Screw-HHF
4	103-6383	3	Blade, Solid	21	99-4627	1	V-Belt
4	116-5174	3	Blade-Extreme 2, 20.50"	22	116-6317	1	Spring-Extension
4	103-6403	3	Blade, Notched	23	109-7188	1	ASM,Discharge Chute
4	103-6393	3	Blade, Mulching ●	23:1	109-2738	1	Chute, Discharge
4	103-6388	3	Blade, Low Lift	23:2	109-8675-01	1	Bracket,Discharge Chute
5	103-3037	3	Bushing, Splined	23:3	3231-22	3	Screw-CARR
6	109-9220	3	Screw,Sems (1/2-20 X 2.19, Gr5)	23:4	109-6658	3	Nut-Flange, NI
7	109-6658	33	Nut-Flange, NI	24	3231-28	4	Screw-CARR
8	116-1286	3	Guard,Bearing Top .989	25	109-6982	2	Wireform-Cover
9	116-0676	3	Sheave,Blade Drive 7.25 ■	26	116-0094	1	Cover-Belt, RH
10	116-7306	3	Nut-Hex	27	109-6938	1	Cover-Belt, LH
11	3231-7	2	Screw-CARR	28	116-5614-01	1	Dogleg - Lz60
12	109-2872	1	Spacer-Pulley	29	116-8131	4	Axle, Roller
13	116-4667	2	Idler-Pulley, Flat	30	103-8415	4	Roller, Anti-Scalp
14	3256-4	2	Washer-Flat	31	98-5975	4	Washer-Belleville
15	1-633456	1	Bushing, Idler	32	116-9362	4	Screw-HH
				33	116-9981	4	Kit, Anti-Scalp Roller
				34	103-2802	3	Washer

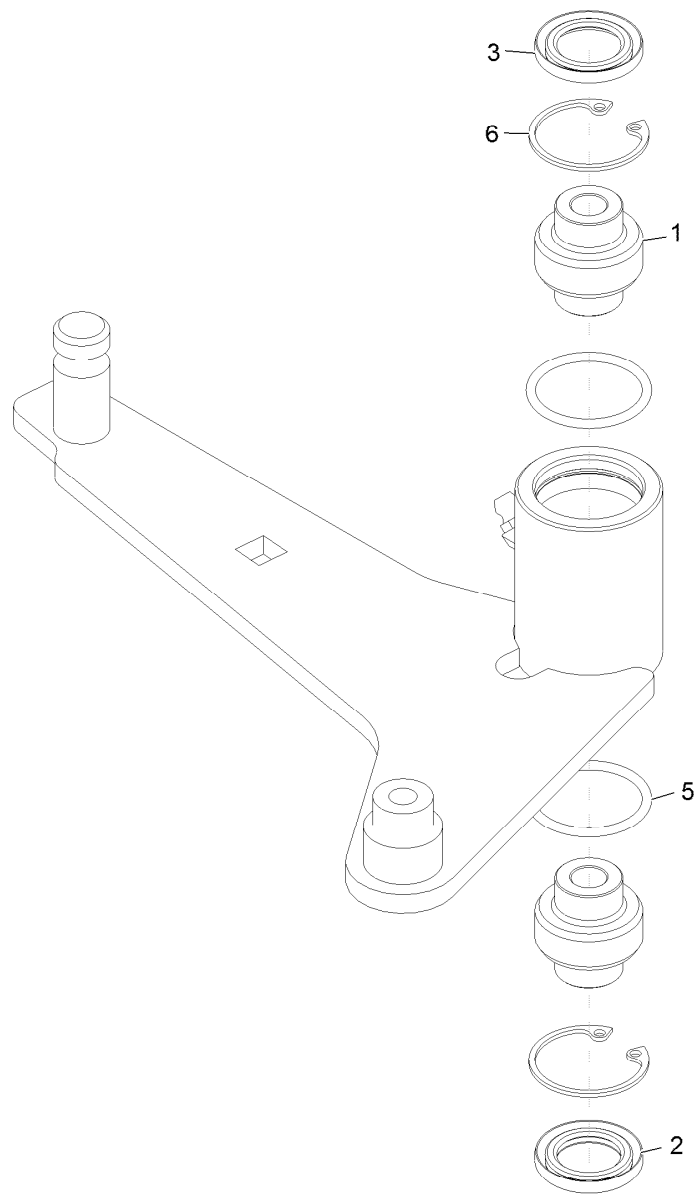
● Requires installation of mulch kit for proper mulching. See your Exmark dealer for details.

■ Apply Mobil HTS grease (P/N 103-5217 1.5 oz packet) (or a food-grade anti-seize). See operator s manual for locations.



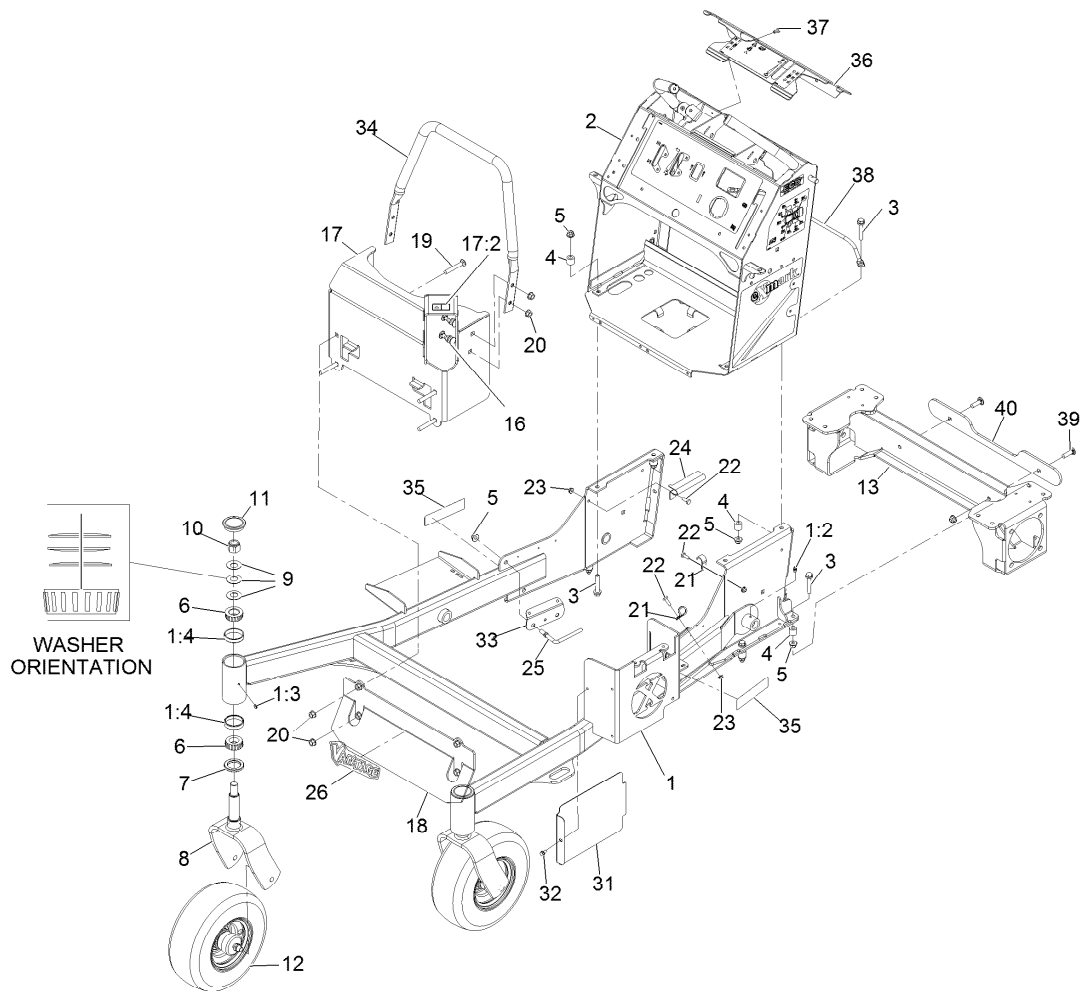
Deck W/Decals Assembly No. 116-5029

Ref.	Part Number	Qty.	Description
2	116-0025	1	Decal,Ultracut 60 Series 4
3	112-8760	2	Decal-Danger
4	114-3489	1	Decal-Warning, Bagger
5	116-8283	1	Decal-Bolt Torque
6	112-9028	2	Decal-Cover Missing
7	116-8776	1	Decal-Belt Routing



Idler Arm Assembly No. 116-6045

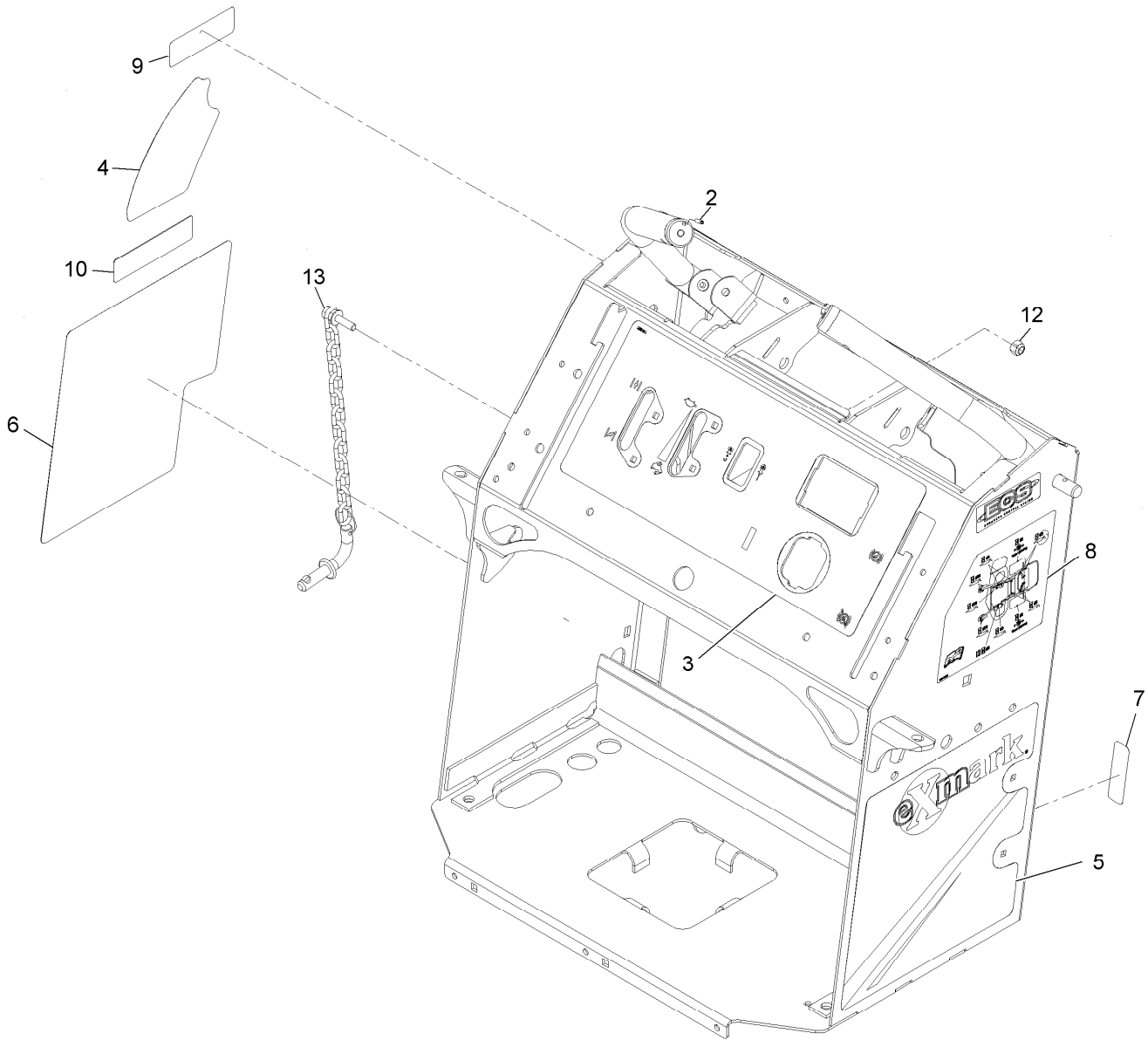
<i>Ref.</i>	<i>Part Number</i>	<i>Qty.</i>	<i>Description</i>
1	103-3504	2	Bearing-Spherical
2	103-3505	1	Seal-Double Lip
3	103-3506	1	Seal-Single Lip
5	106-7159	2	O-Ring
6	32120-10	2	Ring-Retaining



Main Frame Assembly

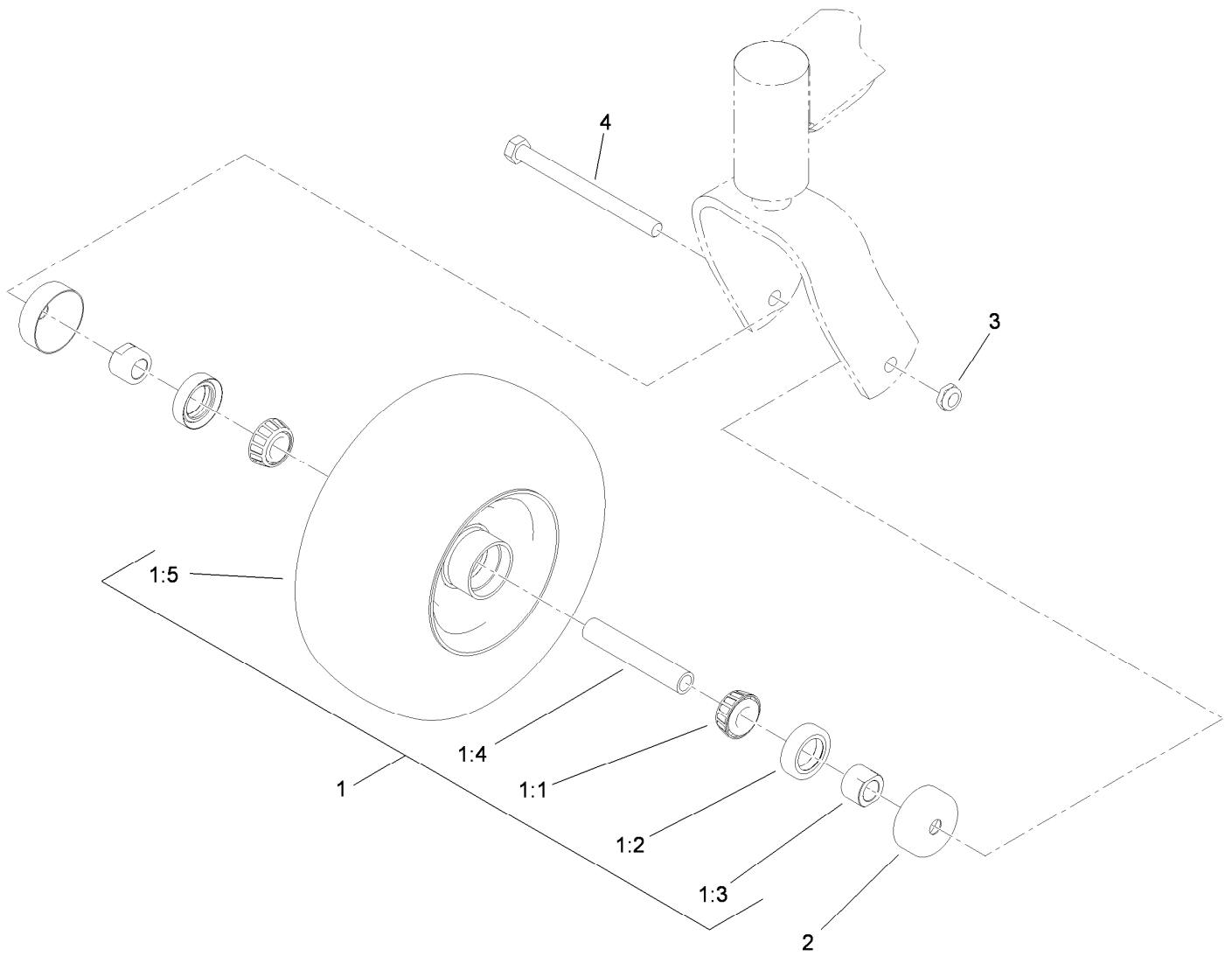
Ref.	Part Number	Qty.	Description
1	116-6028	1	Front Frame ASM
1:2	302-5	4	Zerk 1/4-28 Str Thrd Forming
1:3	1-811010	2	Plug
1:4	1-543508	4	Cup-Bearing Tapered Roller
2	116-9201	1	Tower Assembly
3	108-3742	8	Screw-HH Flg 3/8-16 X 2
4	121-1760	8	Spacer
5	104-8301	12	Nut-Nyloc 3/8-16 Flg
6	1-543509	4	Cone-Bearing Tapered Roller
7	116-5647	2	Seal-Grease
8	121-7988-01	2	Caster Fork ASM
9	1-633508	6	Washer-Spring Disc
10	3296-51	2	Nut-Nyloc 3/4-10
11	103-4882	2	Cap-Grease
12	112-3810	2	Wheel/Tire And Bearing ASM
13	116-9557-03	1	Weld, Motor Frame [black]
16	3231-22	4	Bolt-Carriage 3/8-16 X 1
17	116-6373	1	Muffler Guard ASM
17:2	106-5517	1	Decal-Warning, Hot Surface

Ref.	Part Number	Qty.	Description
18	116-6036-01	1	Panel-Guard
19	3231-31	4	Bolt-Carriage 3/8-16 X 2 1/2
20	32128-21	8	Nut-3/8-16 Flanged Side Lock
21	2412-87	2	Clamp-Cable
22	321-4	3	Screw-HH 1/4-20 X 3/4
23	104-7201	3	Nut-Nyloc 1/4-20 Flg
24	116-3456	1	Bracket-Hose, Fuel
25	116-3382	2	Guide-Hose, Support
26	116-3137	1	Decal-Vantage Logo
31	116-6981-01	1	Shield-Heat, Tall
32	32144-4	1	Screw-HWH 1/4-20 X 1/2 Taptite
33	116-6997-01	2	Guard-Hose
34	116-8152-03	1	Tube, Guard
35	116-3883	2	Decal-X-Series
36	116-8859	1	Control Pannel W/Decals
37	63-8590	2	Screw-Button Head 1/4-20 X .62 Tf
38	116-7688	1	Rod, Guard
39	3231-22	2	Bolt-Carriage 3/8-16 X 1
40	126-1364-03	1	Plate, Bumper Spacer



Tower W/Decals Assembly No. 116-8854

Ref.	Part Number	Qty.	Description
2	126-2925	2	Pin-Spring
3	116-8778	1	Decal-Control Panel Efi
4	116-2040	1	Decal-Height Of Cut
5	116-4269	1	Decal-LH Panel
6	116-1909	1	Decal-RH Panel
7	116-8772	1	Decal-Fuse
8	116-9164	1	Decal-Service Aid
9	116-9165	2	Decal-Ecs Logo
10	117-2718	1	Decal-Arrester, Spark
12	3296-42	1	Nut-Lock, NI
13	114-0409	1	HOC Pin ASM

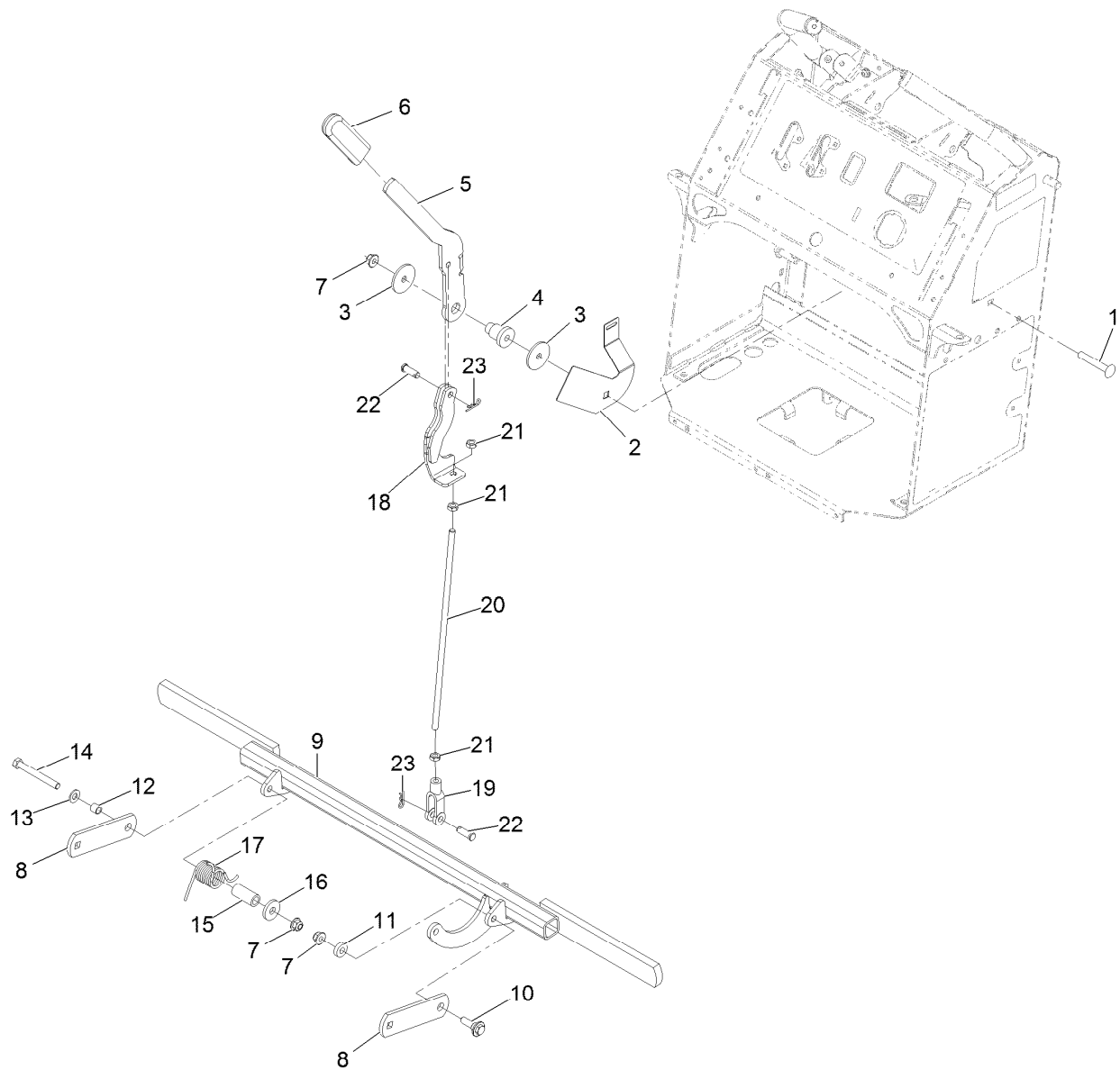


Wheel and Bearing Assembly No. 112-3810

Ref.	Part Number	Qty.	Description
1		1	Wheel And Bearing ASM ●
1:1	1-633585	2	Bearing-Cone, Taper
1:2	103-0063	2	Seal-Caster
1:3	103-3051	2	Spacer-Nut ■
1:4	103-3157	1	Axle-Caster
1:5	110-9965	1	Wheel And Tire ASM
2	103-2768	2	Guard-Seal
3	3296-45	1	Nut-Lock, NI
4	325-20	1	Screw-HH

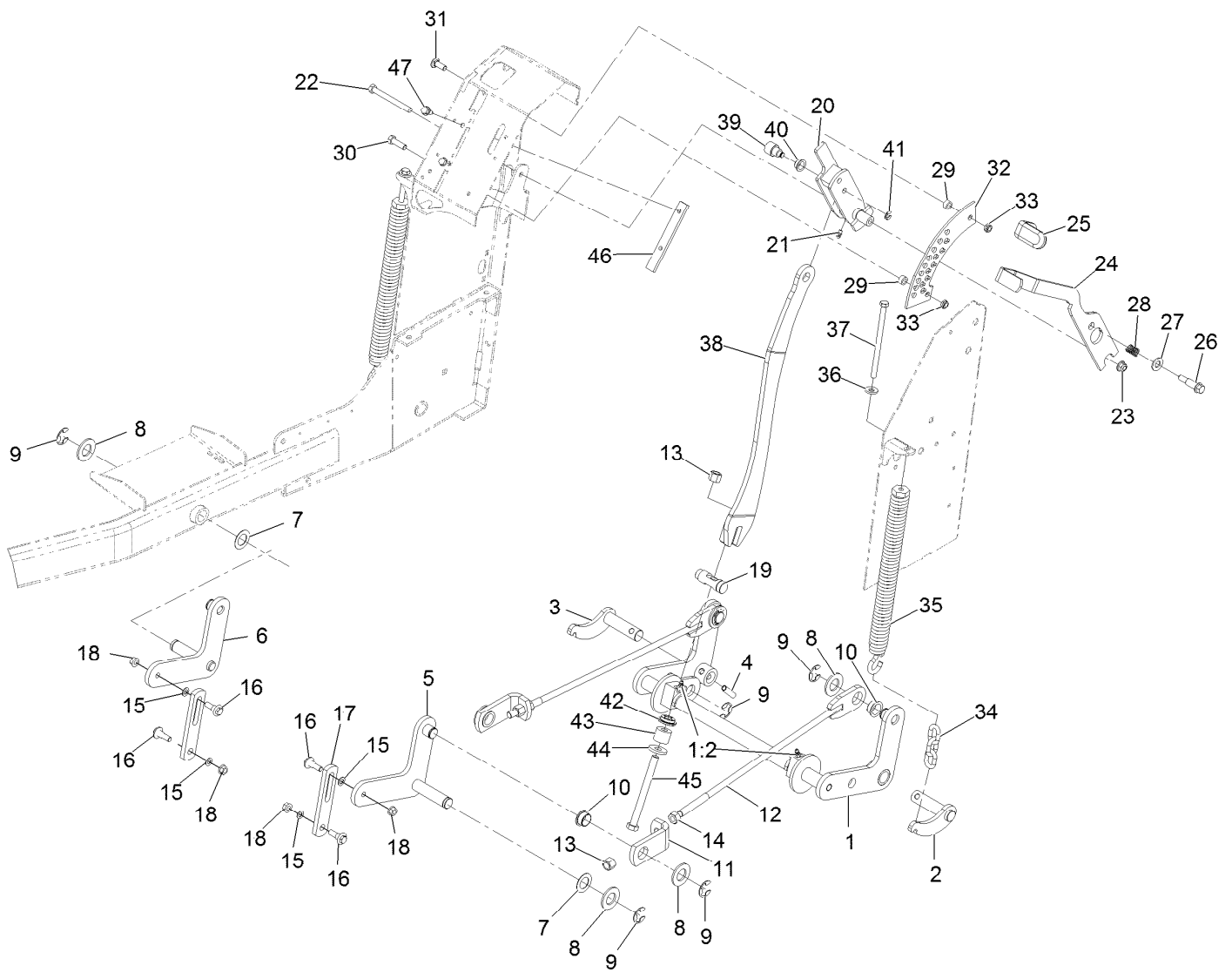
● Not serviced separately

■ Use Pro-Lock, Nut Type (P/N 1-840022, .5ml tube) on spacer nut



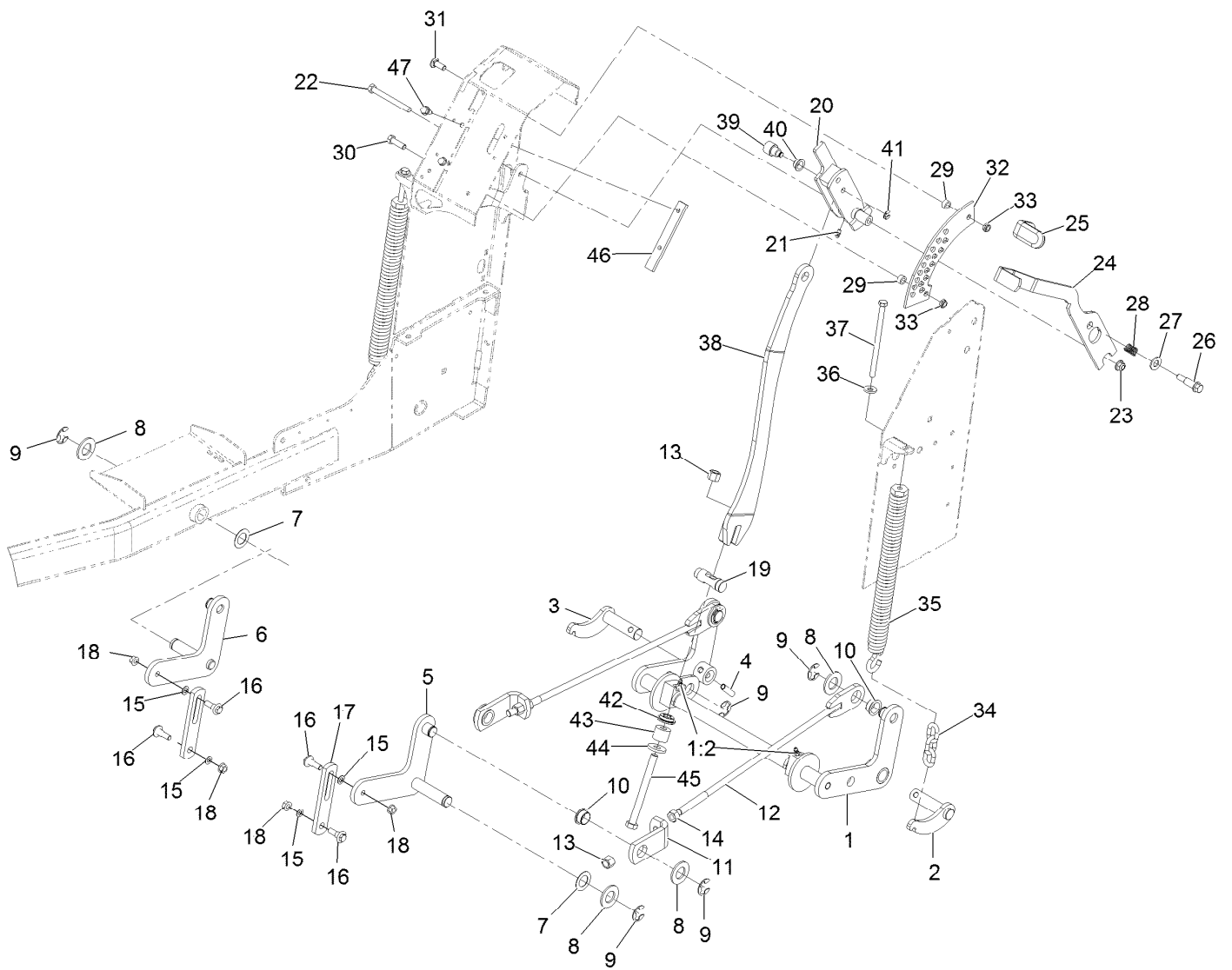
Park Brake Assembly

Ref.	Part Number	Qty.	Description	Ref.	Part Number	Qty.	Description
1	3231-44	1	Bolt-Carriage 3/8-16 X 2 1/2	12	117-9684	1	Spacer
2	117-0452-03	1	Plate-Switch, Brake	13	3256-24	1	Washer-3/8 Sae
3	63-7400	2	Washer-Rebound	14	323-20	1	Screw-HH 3/8-16 X 3-1/4
4	106-3214	1	Mount-Pulley	15	117-9683	1	Spacer
5	117-5759-03	1	Lever-Brake	16	117-9682	1	Spring-Torsion
6	1-633268	1	Grip-Lever	17	1-373034	1	Washer
7	104-8301	3	Nut-Nyloc 3/8-16 Flg	18	119-8780-03	1	Arm-Brake
8	114-5186-01	2	Support-Brake	19	1-633131	1	Yoke-Linkage, Brake
9	119-8730-03	1	Bar-Brake	20	119-7244	1	Rod-Brake
10	614672	1	Screw-Shoulder 3/8-16 X 1.295	21	3220-3	3	Nut-Jam 3/8-24
11	5-0652	1	Spacer	22	283-2	2	Pin-Clevis 3/8 X 1 1/6
				23	3290-307	2	Pin-Hair



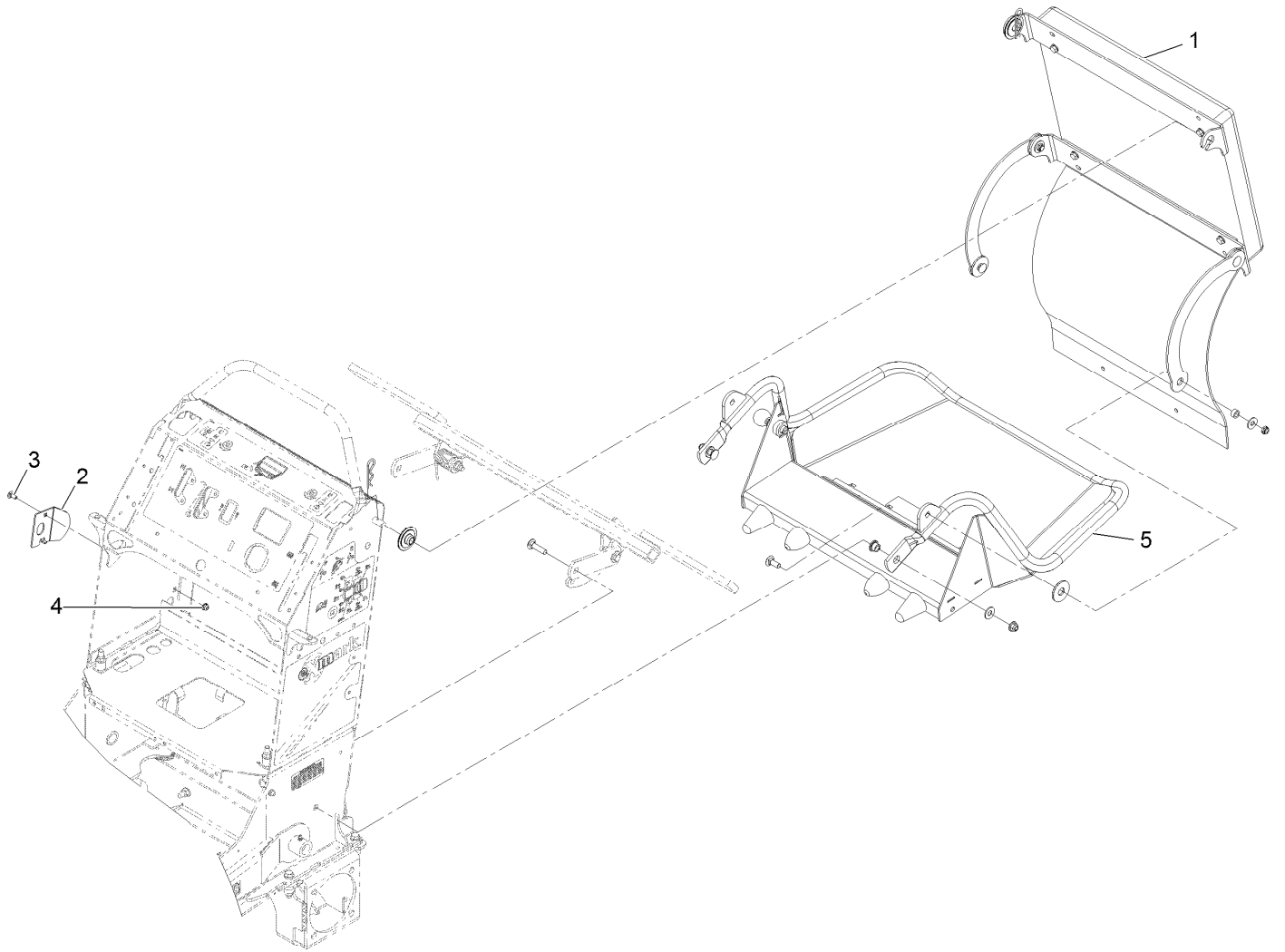
Deck Lift Assembly

Ref.	Part Number	Qty.	Description	Ref.	Part Number	Qty.	Description
1	116-3103	1	Rear Crossshaft ASM	19	114-5274	1	Pin-HOC
1:2	302-11	2	Zerk-45° 1/4-28	20	114-3512	1	HOC Handle ASM
2	116-3104-01	1	Shaft-Pivot, LH	21	302-5	1	Zerk 1/4-28 Str Thrd Forming
3	116-3105-01	1	Shaft-Pivot, RH	22	323-42	1	Screw-HH 3/8-16 X 3 3/4
4	116-3107	2	Pin-Spiral	23	104-8301	1	Nut-Nyloc 3/8-16 Flg
5	121-5993-01	1	Arm-Lift, LH	24	114-1878-03	1	Lever-HOC
6	121-5994-01	1	Arm-Lift, RH	25	1-633268	1	Grip-Lever
7	110-6767	2	Washer-Thrust	26	66-0561	1	Screw-Shoulder
8	3256-29	6	Washer-7/8 Sae	27	3256-26	1	Washer-1/2 Sae
9	32151-103	7	E-Ring	28	65-9940	1	Spring
10	116-2909	4	Bearing-Flange	29	111044	2	Bushing
11	116-6035	2	Bracket-Lift Rod	30	323-7	1	Screw-HH 3/8-16 X 1 1/4
12	116-8676	2	Lift Rod ASM	31	3231-22	1	Bolt-Carriage 3/8-16 X 1
13	3296-23	3	Nut-Nyloc 1/2-13	32	114-5307	1	Bracket-HOC
14	3217-9	2	Nut-Hex 1/2-13	33	3296-59	2	Nut-Nyloc 3/8-16 Thin
15	40-1940	4	Washer	34	103-9859	2	Chain-Decklift
16	109-9840	4	Screw-Hex Flange 3/8-16 X .80	35	116-0886	2	Extension Spring ASM
17	117-0519	2	Link-Lift	36	98-5975	2	Washer-Spring Disc 3/8
18	32128-21	4	Nut-3/8-16 Flanged Side Lock	37	323-58	2	Bolt-HH 3/8-16 X 6 Tap
				38	116-2939	1	Bar-Lift



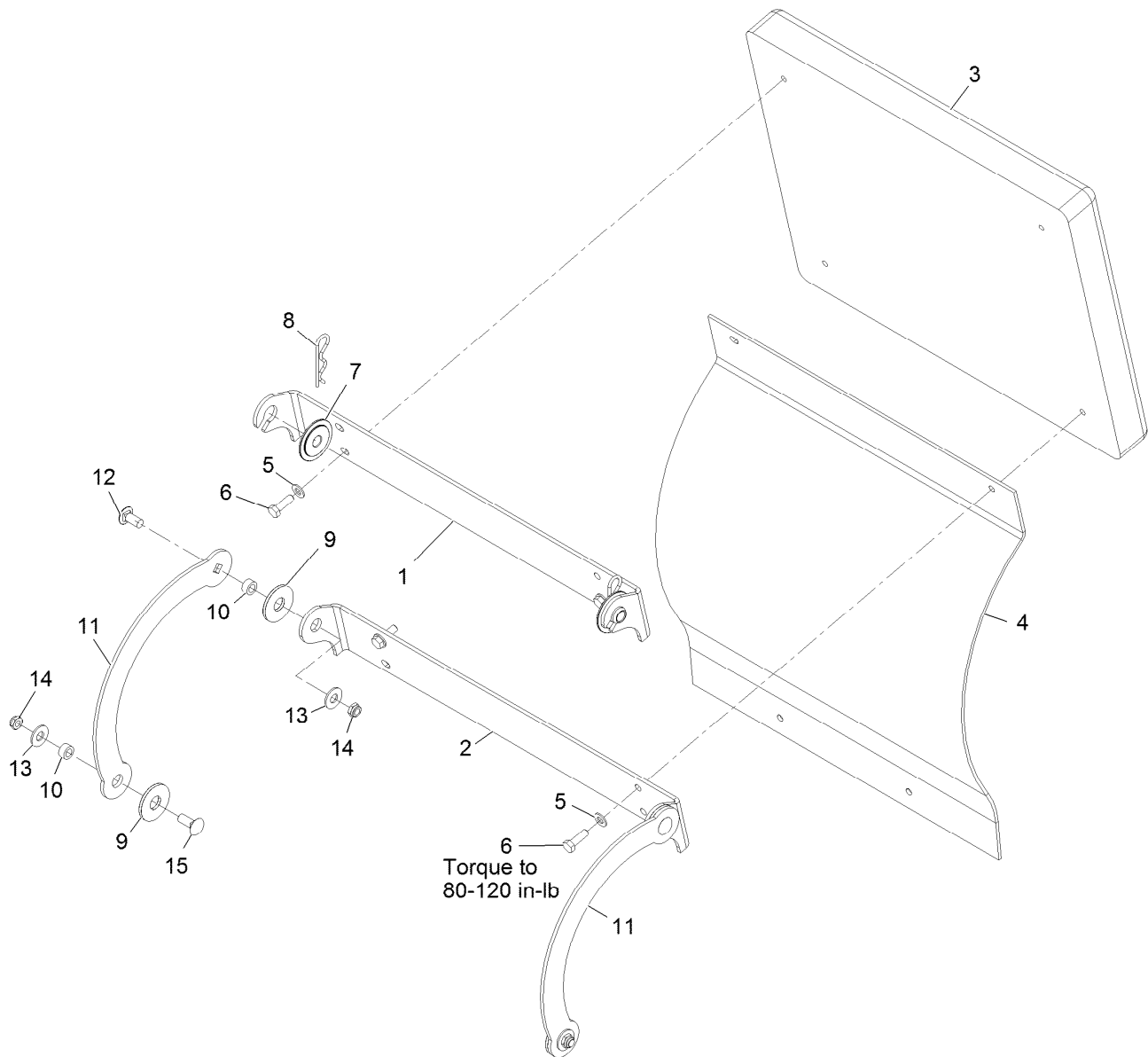
Deck Lift Assembly (continued)

<i>Ref.</i>	<i>Part Number</i>	<i>Qty.</i>	<i>Description</i>	<i>Ref.</i>	<i>Part Number</i>	<i>Qty.</i>	<i>Description</i>
39	116-3048	1	Hub-Pivot	44	92-2651	1	Washer
40	116-3047	1	Bearing-Flange	45	325-22	1	Screw-HH 1/2-13 X 5 1/2
41	32151-47	1	Ring-Retaining	46	116-3124	1	Skid-Handle, Lift
42	116-3625	1	Seat-Spring	47	32144-70	2	Screw-HWH 5/16-18 X 3/4 Tf
43	116-3241	1	Spring-Urethane				



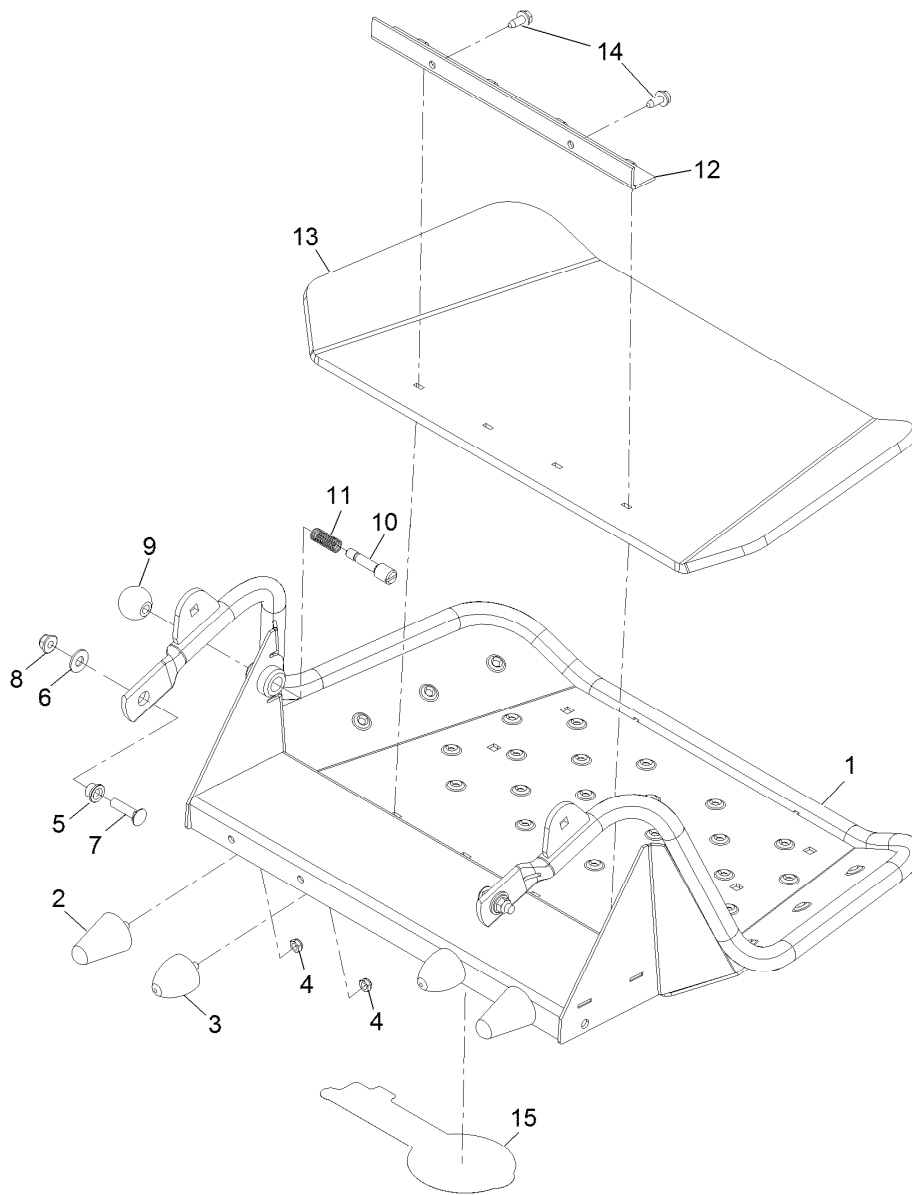
Platform Group

<i>Ref.</i>	<i>Part Number</i>	<i>Qty.</i>	<i>Description</i>
1	126-1210	1	ASM, Cushion
2	119-7312	1	Plate-Striker
3	3229-11	1	Bolt-Carriage 1/4-20 X 5/8
4	104-7201	1	Nut-Nyloc 1/4-20 Flg
5	116-1804	1	ASM,Platform



Cushion Assembly No. 126-1210

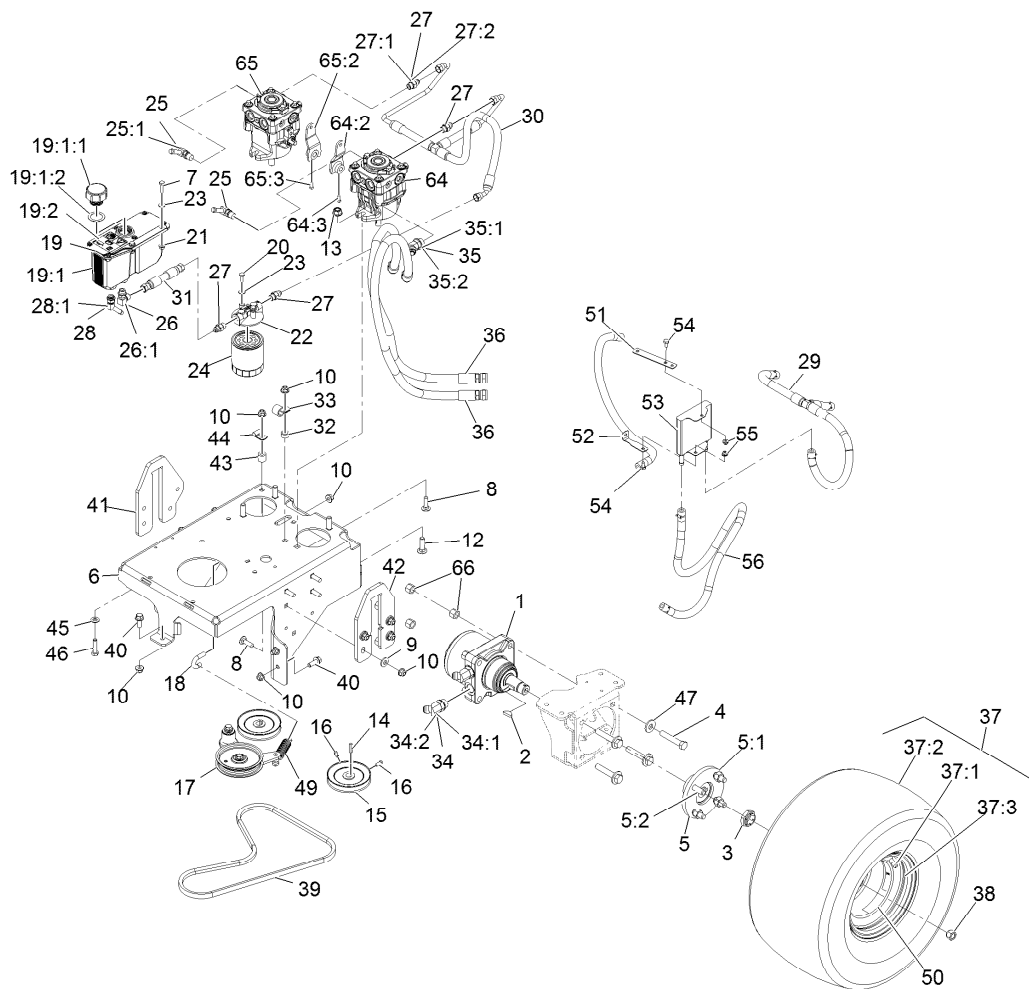
Ref.	Part Number	Qty.	Description
1	116-2757-03	1	Hinge-Pad
2	116-2061-03	1	Hinge-Pad
3	116-1790	1	Pad,Grey Cushion
4	126-0362	1	Shield, Rear
5	3256-23	4	Washer-5/16 Sae
6	116-0648	4	Screw-HH 5/16-18 X 1 W/Patch
7	116-2886	2	Slide-Bushing
8	3290-355	2	Pin-Hair
9	114-0463	4	Washer-Friction, Composite
10	111044	4	Bushing
11	114-1915-03	2	Link-Pad
12	3231-27	2	Bolt-Carriage 3/8-16 X 7/8
13	3256-4	4	Washer-3/8 Std
14	3296-59	4	Nut-Nyloc 3/8-16 Thin
15	3231-2	2	Bolt-Carriage 3/8-16 X 1



Platform Assembly No. 116-1804

Ref.	Part Number	Qty.	Description
1	117-9641-03	1	Platform ASM
2	114-1925	2	Bumper-Rubber
3	114-1926	2	Bumper-Rubber
4	3296-47	4	Nut-Nyloc 5/16-18 Thin
5	109-8788	2	Bushing-Flanged
6	3256-4	2	Washer-3/8 Std
7	3231-4	2	Bolt-Carriage 3/8-16 X 1 1/2
8	104-8301	2	Nut-Nyloc 3/8-16 Flg
9	1-603175	1	Knob-Ball
10	119-8650	1	Pin-Latch ●
11	114-5348	1	Spring
12	114-1920-03	1	Clamp-Shield
13	114-5349	1	Mat-Foot
14	32144-70	2	Screw-HWH 5/16-18 X 3/4 Tf
15	1-653546	1	Decal, Exmark

● Use Pro-Lock, Nut Type (P/N 1-840022, .5ml tube) on threads.



Ground Drive Assembly

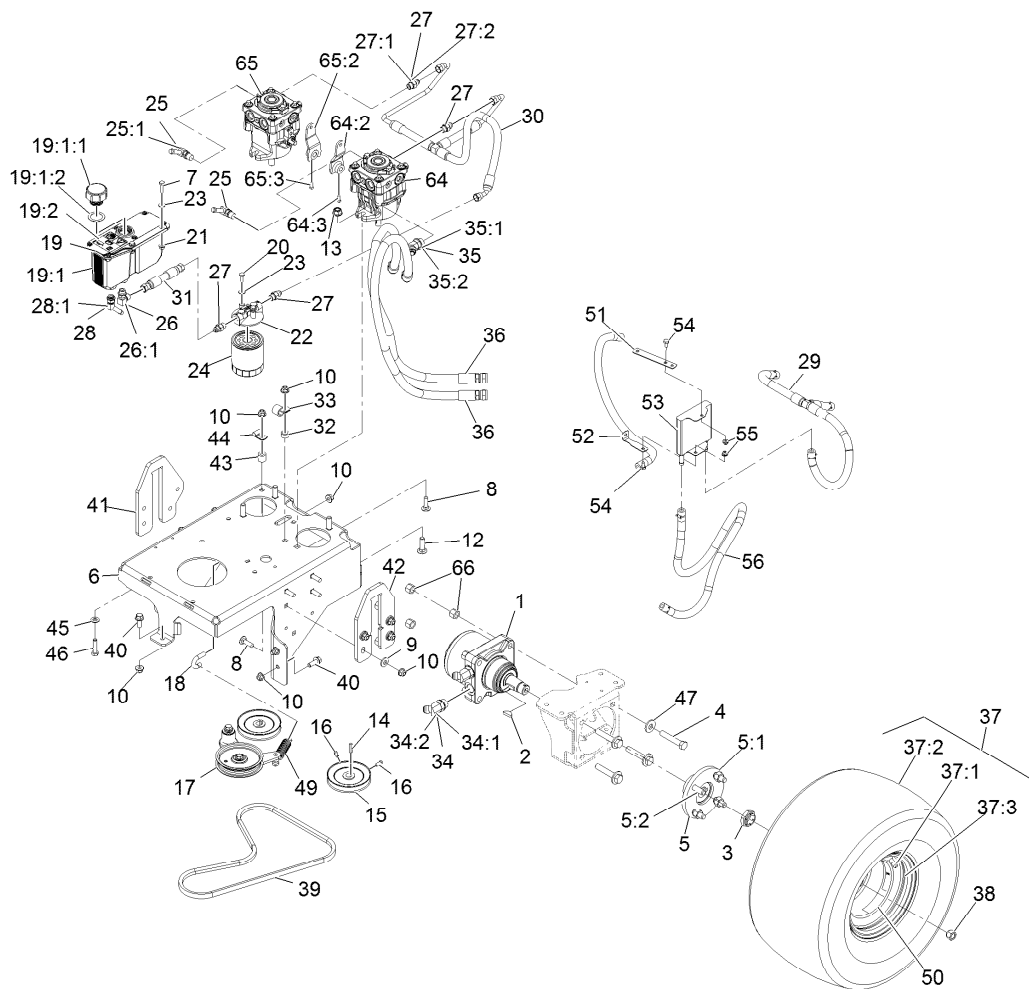
Ref.	Part Number	Qty.	Description	Ref.	Part Number	Qty.	Description
1	126-1301	2	Motor-Wheel	19:1:2	103-1949	1	Gasket-Cap
2	3257-8	2	Key-Woodruff	19:2	115-4212	1	Decal-Warning
3	116-1399	2	Locknut	20	321-4	2	Screw-HH 1/4-20 X 3/4
4	325-11	8	Screw-HH 1/2-13 X 2 3/4	21	32128-32	2	Nut-Hex 1/4-20 Side Lock
5	18-3209	2	Wheel Hub / Stud ASM	22	104-7836	1	Filter-Head
5:1	10-6870-03	1	Hub-Wheel	23	3256-22	4	Washer-1/4 Sae
5:2	10-6830	4	Stud-Type, Drive	24	109-4180	1	Element, Oil Filter
6	116-7796-01	1	Weldment, Frame	25	100-4887	2	Fitting-Barbed, 90 DEG
7	321-6	2	Screw-HH 1/4-20 X 1	25:1	237-42	1	O-Ring
8	3231-25	9	Bolt-Carriage 3/8-16 X 1 1/4	26	103-1802	1	Fitting-HYD, 90 DEG
9	98-5975	8	Washer-Spring Disc 3/8	26:1	1-603921	1	O-Ring-Sae #6
10	104-8301	16	Nut-Nyloc 3/8-16 Flg	27	103-2156	4	Adapter-Straight
12	3232-3	4	Bolt-Carriage 7/16-14 X 1 1/2	27:1	1-603921	1	O-Ring-Sae #6
13	114-8417	4	Nut-HF, NI	27:2	103-1020	1	O-Ring-37 Flare #6
14	1-807272	2	Key-5Mm X 5Mm X 25Mm	28	103-1807	1	Fitting-Barbed, 45 DEG
15	105-5648	2	Pulley-Pump ■	28:1	237-42	1	O-Ring
16	3241-5	4	Setscrew-SQH 1/4-20 X 5/8	29	116-8838	1	Hose ASM-Case Drain
17	116-9980	1	Pump Idler ASM	30	116-2650	1	Hose Assembly - Charge
18	116-8526	1	Anchor, Spring	31	116-2604	1	HYD Hose ASM
19	116-2066	1	ASM,Reservoir W/Decals ▲	32	1-653069	1	Spacer-Wheel
19:1		1	Reservoir-HYD ●	33	1-633396	1	Clip-Loom 5/8
19:1:1	103-1948	1	Cap-Reservoir, HYD	34	1-523222	4	Fitting-HYD, 45 DEG
				34:1	1-603919	1	O-Ring-Sae #10
				34:2	1-603992	1	O-Ring-37 Flare #8

● Not serviced separately

▲ Use Exmark Premium Hydro Oil P/N 109-9828 (32oz)

◆ Use Pro-Lock, Nut Type (P/N 1-840022, .5ml tube) on threads.

■ Apply anti-seize compound in bore.



Ground Drive Assembly (continued)

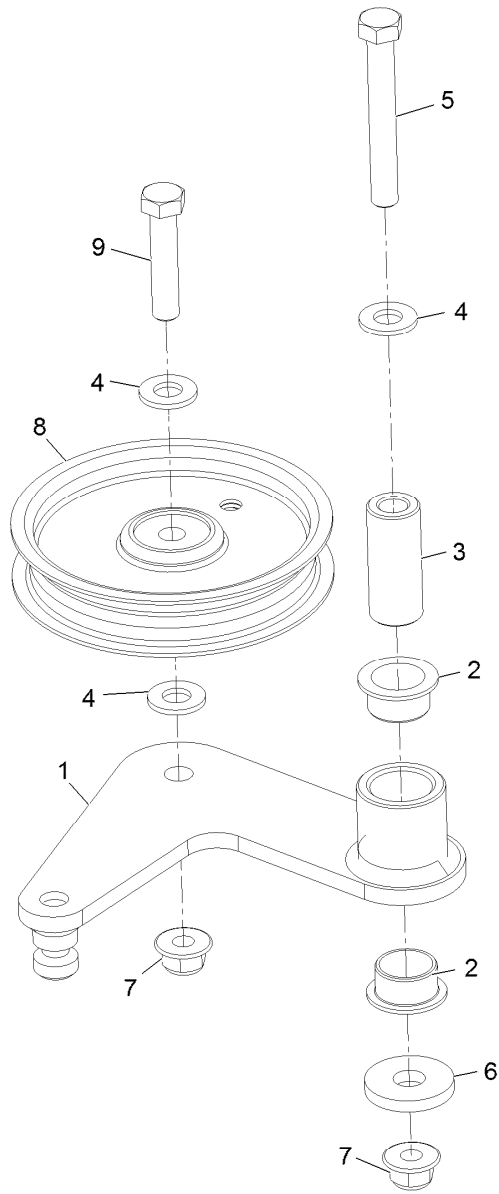
Ref.	Part Number	Qty.	Description	Ref.	Part Number	Qty.	Description
35	1-523221	4	Fitting-HYD, 45 DEG	47	1-513435	8	Washer-Spring Disc 1/2
35:1	1-603920	1	O-Ring-Sae #8	49	108-4056	1	Spring-Extension
35:2	1-603992	1	O-Ring-37 Flare #8	50	126-2055	2	Decal-Torque Wheel Lug-Hub
36	116-6902	4	HYD Hose ASM	51	116-7022	1	Brkt-Cooler Mount, Top
37	120-6465	2	Wheel/Tire ASM	52	116-7023	1	Brkt-Cooler Mount, Bottom
37:1	116-4605	1	Rim-8 Inch	53	116-7026	1	Cooler-Oil
37:2	120-6466	1	Tire	54	321-2	2	Screw-HH 1/4-20 X 1/2
37:3	232-27	1	Stem-Valve	55	104-7201	2	Nut-Nyloc 1/4-20 Flg
38	242-50	8	Nut-Lug 1/2-20	56	116-7032	1	Hose ASM
39	114567	1	Belt-V	64	116-8846	1	Pump W/Arm - Left
40	3234-42	5	Screw HHF 3/8-16 X 1	64:2	126-0334	1	Arm-Hydro
41	116-4922	1	Plate-Lift, RH	64:3	3241-5	1	Setscrew-SQH 1/4-20 X 5/8
42	116-3546	1	Plate, Lift LH	65	116-8847	1	Pump W/Arm -Right
43	121-1760	1	Spacer	65:2	126-0334	1	Arm-Hydro
44	116-3362	1	Clip-Tube	65:3	3241-5	1	Setscrew-SQH 1/4-20 X 5/8
45	3256-24	1	Washer-3/8 Sae	66	3296-23	8	Nut-Nyloc 1/2-13
46	323-8	1	Screw-HH 3/8-16 X 1 1/2				

● Not serviced separately

▲ Use Exmark Premium Hydro Oil P/N 109-9828 (32oz)

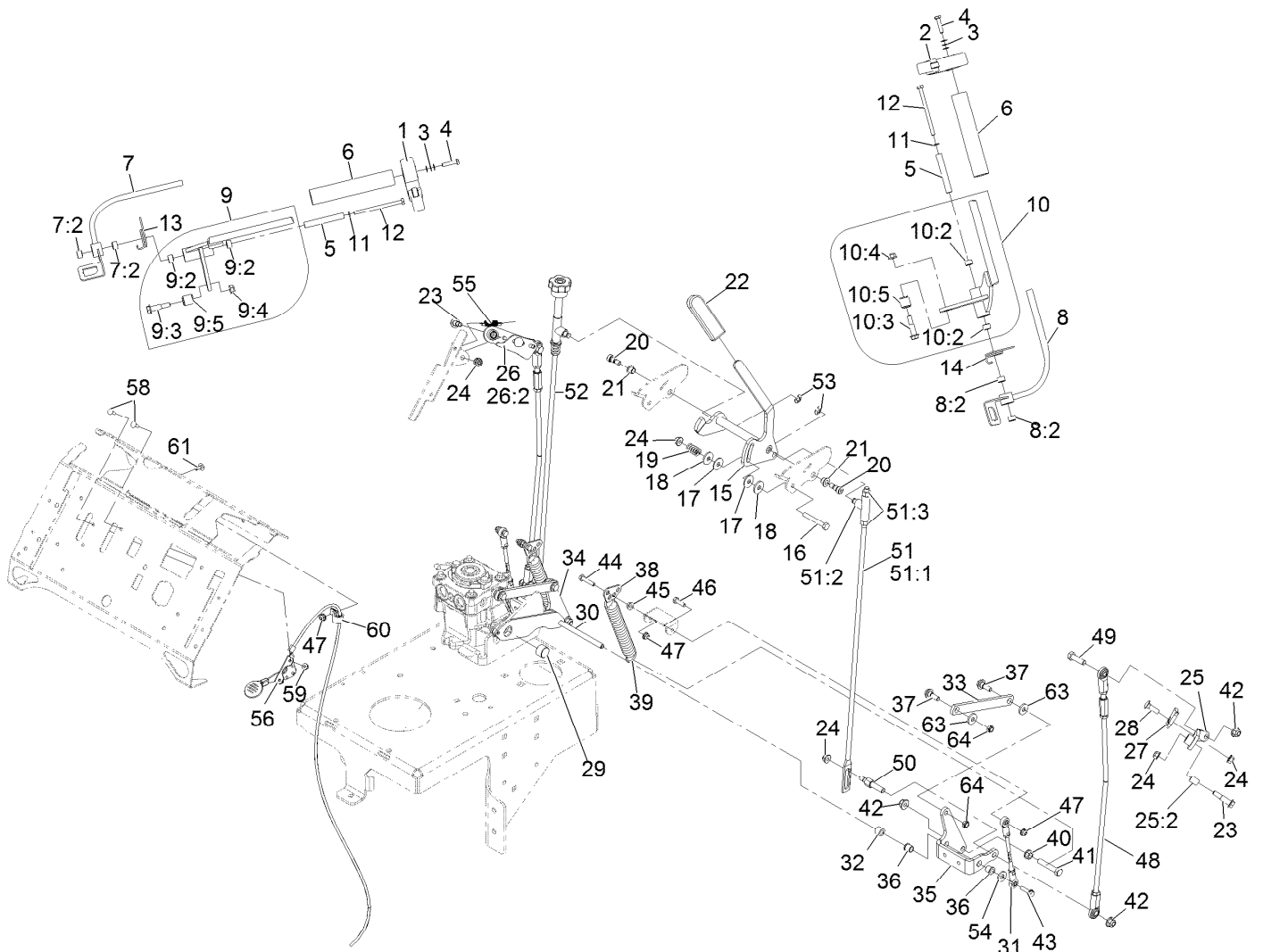
◆ Use Pro-Lock, Nut Type (P/N 1-840022, .5ml tube) on threads.

■ Apply anti-seize compound in bore.



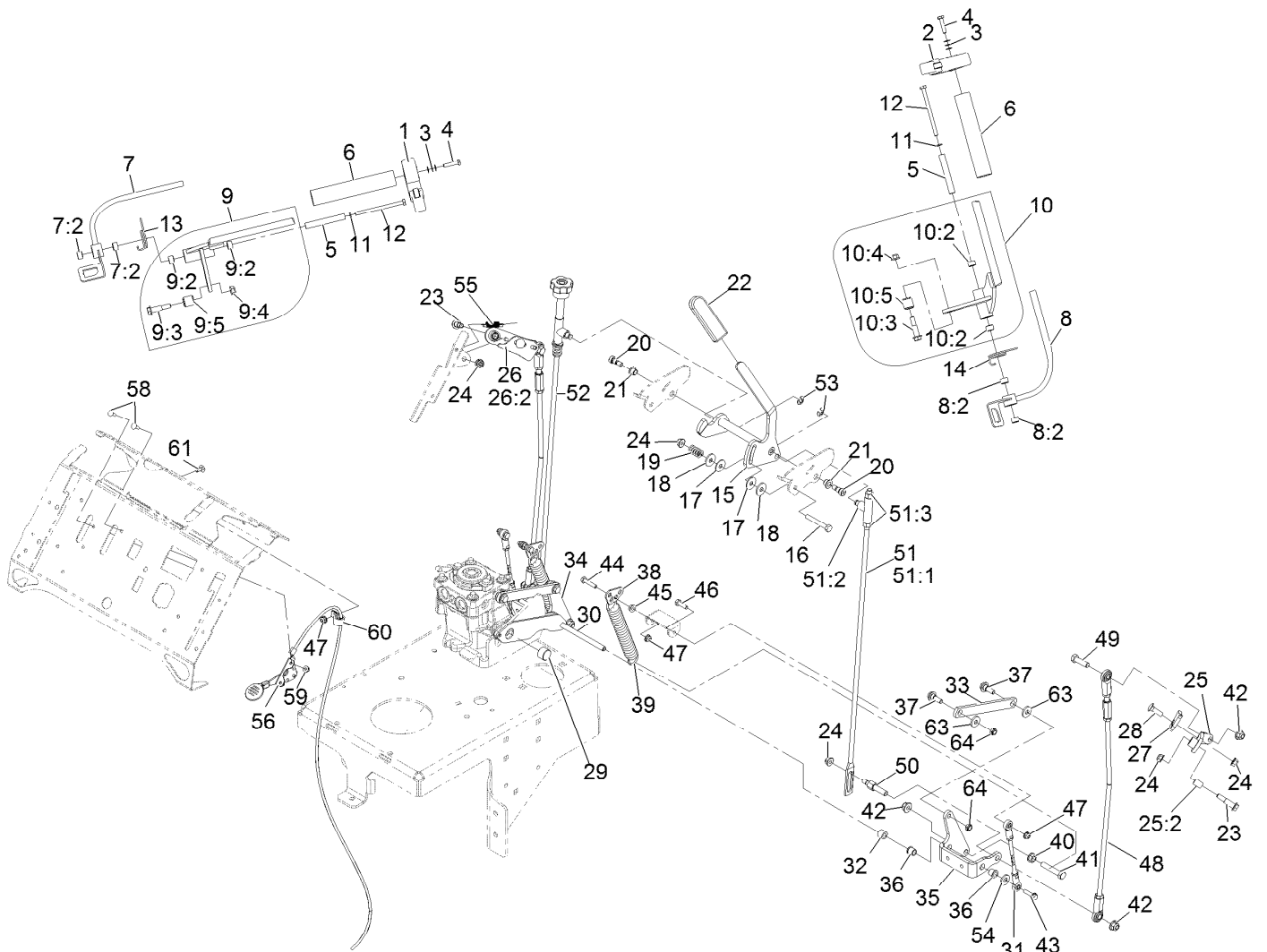
Pump Idler Assembly No. 116-9980

Ref.	Part Number	Qty.	Description
1	116-8717	1	Idler Arm ASM
2	109-8054	2	Bushing-Flanged
3	116-8718	1	Spacer, Pivot
4	3256-24	3	Washer-3/8 Sae
5	323-13	1	Screw-HH 3/8-16 X 2 3/4
6	1-373034	1	Washer
7	104-8301	2	Nut-Nyloc 3/8-16 Flg
8	93-1622	1	Pulley-Idler
9	323-9	1	Screw-HH 3/8-16 X 1 3/4



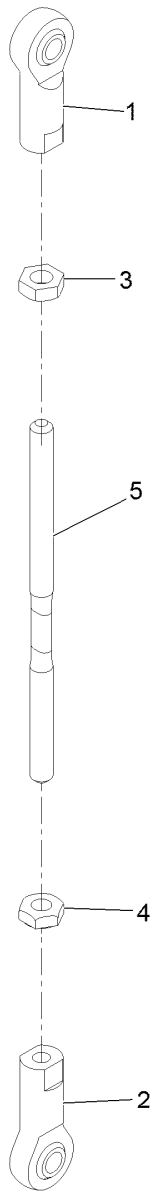
Control Assembly

Ref.	Part Number	Qty.	Description	Ref.	Part Number	Qty.	Description
1	103-1371	1	Thumb Latch Asm RH	11	3253-3	2	Washer-Lock 1/4
2	103-1372	1	Thumb Latch Asm LH	12	321-28	2	Screw-HH
3	1-303435	6	Washer-Spring Disc 1/4	13	116-7774	1	Spring, Torsion
4	103-0235	2	Screw-HH 1/4-20 X 1 1/8 W/Nylon	14	116-7768	1	Spring, Torsion
5	116-7725	2	Tube	15	126-0302	1	Speed Control ASM
6	103-0815	2	Grip-Bar, Handle	16	322-11	1	Screw-HH 5/16-18 X 2 1/4
7	116-7902	1	Opc-W/Bushing, RH	17	1-323244	2	Washer-Friction
7:2	1-413152	2	Bushing-Sleeve	18	1-603716	2	Washer-Friction Disc
8	116-7903	1	Opc-W/Bushing, LH	19	1-323245	1	Spring-Compression
8:2	1-413152	2	Bushing-Sleeve	20	1-809056	2	Screw-Sh 5/16-18 X 1 3/8
9	116-7766	1	ASM, Control-RH	21	116-8615	2	Bushing
9:2	1-413152	2	Bushing-Sleeve	22	103-5994	1	Grip-Handle, Steering
9:3	116-8607	1	Screw-Shoulder	23	116-8607	2	Screw-Shoulder
9:4	104-8300	1	Nut-Nyloc 5/16-18 Flg	24	104-8300	7	Nut-Nyloc 5/16-18 Flg
9:5	116-8627	1	ASM, Roller	25	116-8821	1	Arm ASM-Left
10	116-7767	1	ASM, Control	25:2	116-8610	1	Sleeve-Bearing
10:2	1-413152	2	Bushing-Sleeve	26	116-8824	1	Arm ASM -Right
10:3	116-8607	1	Screw-Shoulder	26:2	116-8610	1	Sleeve-Bearing
10:4	104-8300	1	Nut-Nyloc 5/16-18 Flg	27	116-9935	2	Ramp
10:5	116-8627	1	ASM, Roller	28	3230-2	2	Bolt-Carriage 5/16-18 X 1
				29	116-4203	1	Pin-Bellcrank Link Retaining



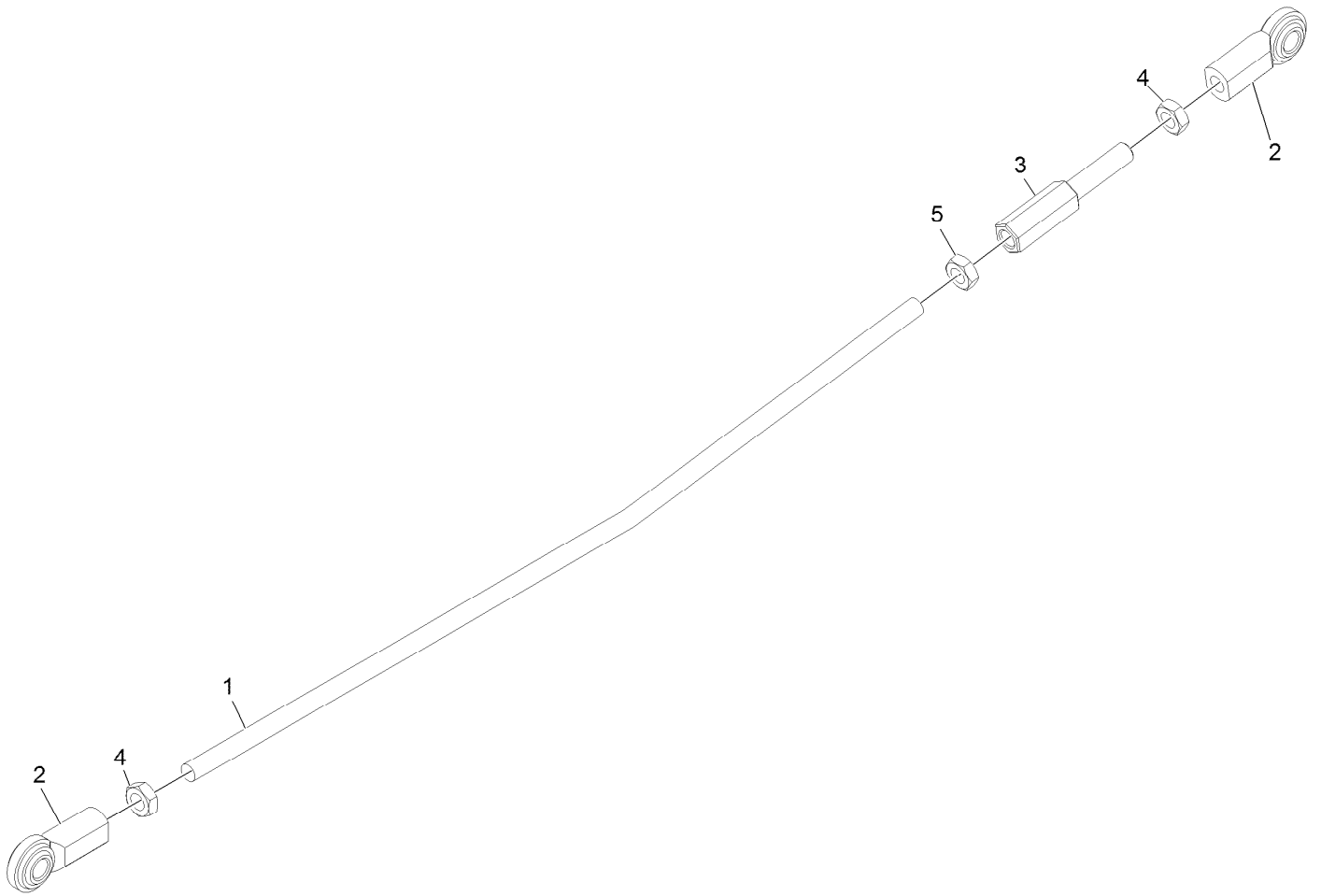
Control Assembly (continued)

Ref.	Part Number	Qty.	Description	Ref.	Part Number	Qty.	Description
30	116-8563	1	Bellcrank Link ASM	48	116-7756	2	ASM, Rod
31	116-7738	2	ASM, Link	49	323-7	2	Screw-HH 3/8-16 X 1 1/4
32	52-2480	2	Spacer-Wheel	50	116-9167	2	Stud-Control, Speed
33	116-4208	2	Link-Bellcrank, Pump	51	116-8679	1	ASM, Rod Left
34	126-0335	1	Bellcrank-Lower, Rt	51:1	116-9938	1	Rod, Left
35	126-0336	1	Bellcrank-Lower, Lt	51:2	116-8683	1	Swivel
36	103-9928	4	Bearing	51:3	3219-3	2	Nut-Hex 3/8-24
37	116-2670	4	Screw-Shoulder HHF 5/16-18 X .96	52	116-8681	1	ASM, Rod Right
38	126-0535	2	Link, Adjustable	53	32151-47	2	Ring-Retaining
39	1-603402	2	Spring-Extension	54	66-2920	2	Washer-Friction
40	3290-357	2	Nut-Whizlock 3/8-16	55	114-0249	2	Spring-Extension
41	323-10	2	Screw-HH 3/8-16 X 2	56	116-4276	1	Control-Throttle
42	104-8301	6	Nut-Nyloc 3/8-16 Flg	58	1-807533	2	Bolt-Carriage #10-24 X 5/8
43	120-4654	2	Screw-HHF	59	32128-17	2	Nut-Flange #10-24 Top Lock
44	321-8	2	Screw-HH 1/4-20 X 1 1/4	60	2412-87	1	Clamp-Cable
45	32128-33	2	Nut-Whizlock 1/4-20	61	3229-11	1	Bolt-Carriage 1/4-20 X 5/8
46	321-5	2	Screw-HH 1/4-20 X 7/8	63	4-2390	4	Washer-Flat
47	104-7201	5	Nut-Nyloc 1/4-20 Flg	64	3296-47	4	Nut-Nyloc 5/16-18 Thin



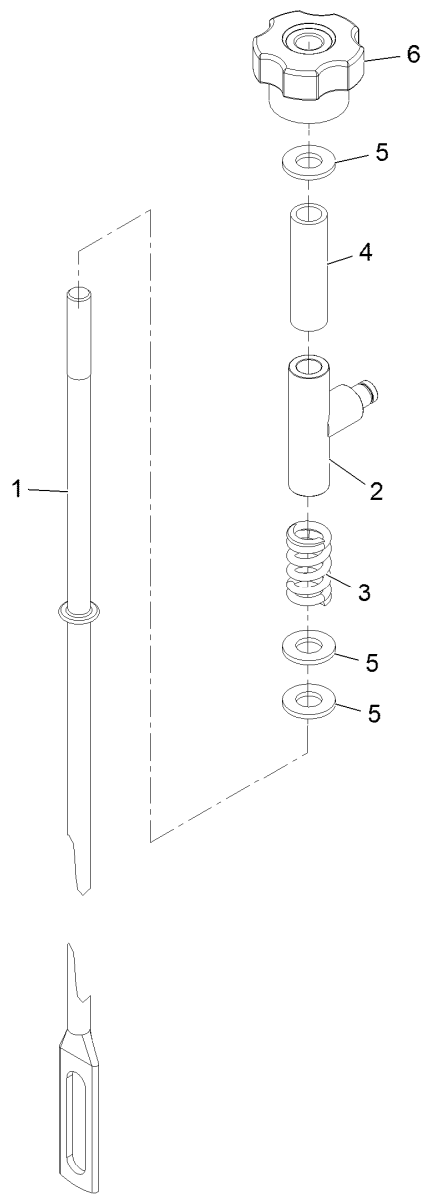
Vertical Adjust Link Assembly No. 116-7738

<i>Ref.</i>	<i>Part Number</i>	<i>Qty.</i>	<i>Description</i>
1	2411-41	1	Rod End-Ball Joint
2	104-4013	1	Joint-Ball, LH
3	3220-1	1	Nut-Jam 1/4-28
4	104-3941	1	Nut-Jam
5	116-7737	1	Rod



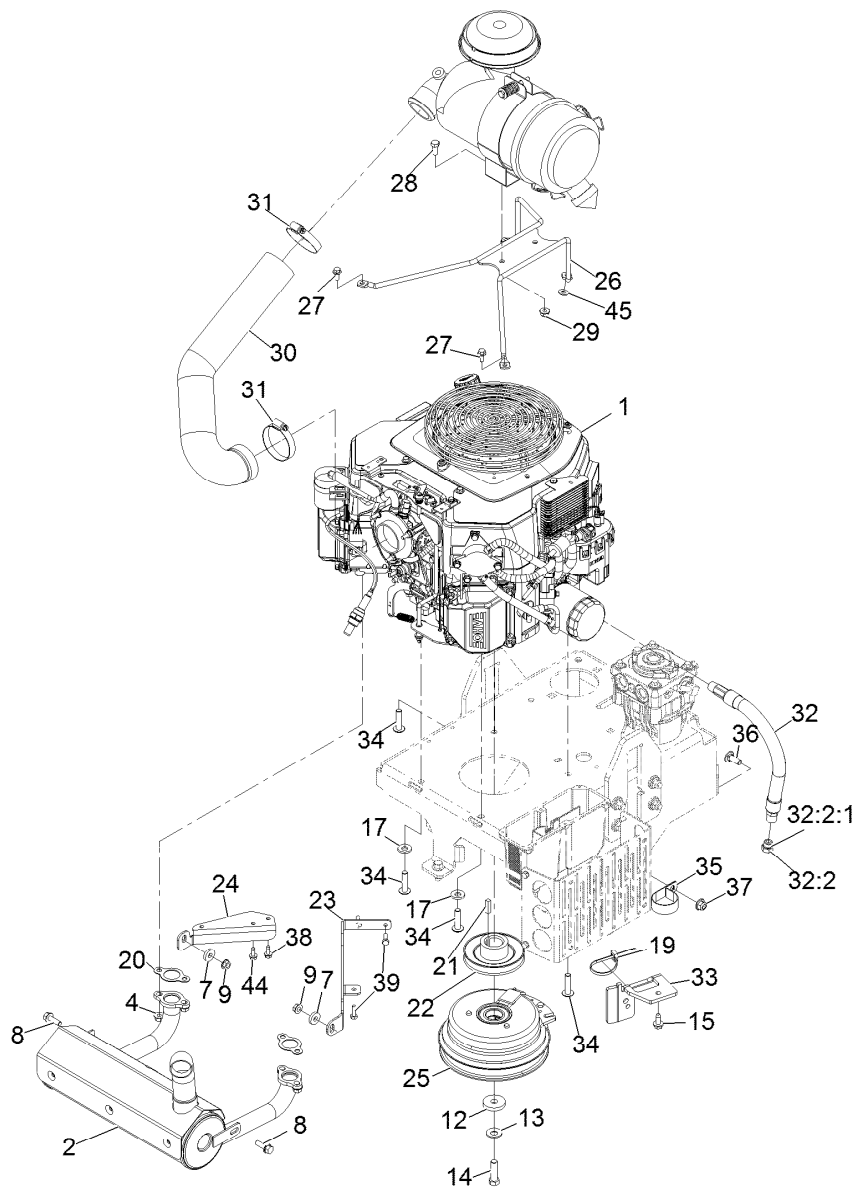
Rod Assembly No. 116-7756

<i>Ref.</i>	<i>Part Number</i>	<i>Qty.</i>	<i>Description</i>
1	116-9937	1	Link-Lower, Motion Control
2	103-0608	2	Balljoint
3	116-4755	1	Rod-Adjustment
4	3220-3	2	Nut-Jam 3/8-24
5	3220-16	1	Nut-Jam 3/8-24 LH



Rod Assembly No. 116-8681

<i>Ref.</i>	<i>Part Number</i>	<i>Qty.</i>	<i>Description</i>
1	116-9939	1	Rod, Right
2	116-8683	1	Swivel
3	116-7560	1	Spring-Compression
4	116-8684	1	Spacer
5	3256-24	3	Washer-3/8 Sae
6	116-9172	1	Knob



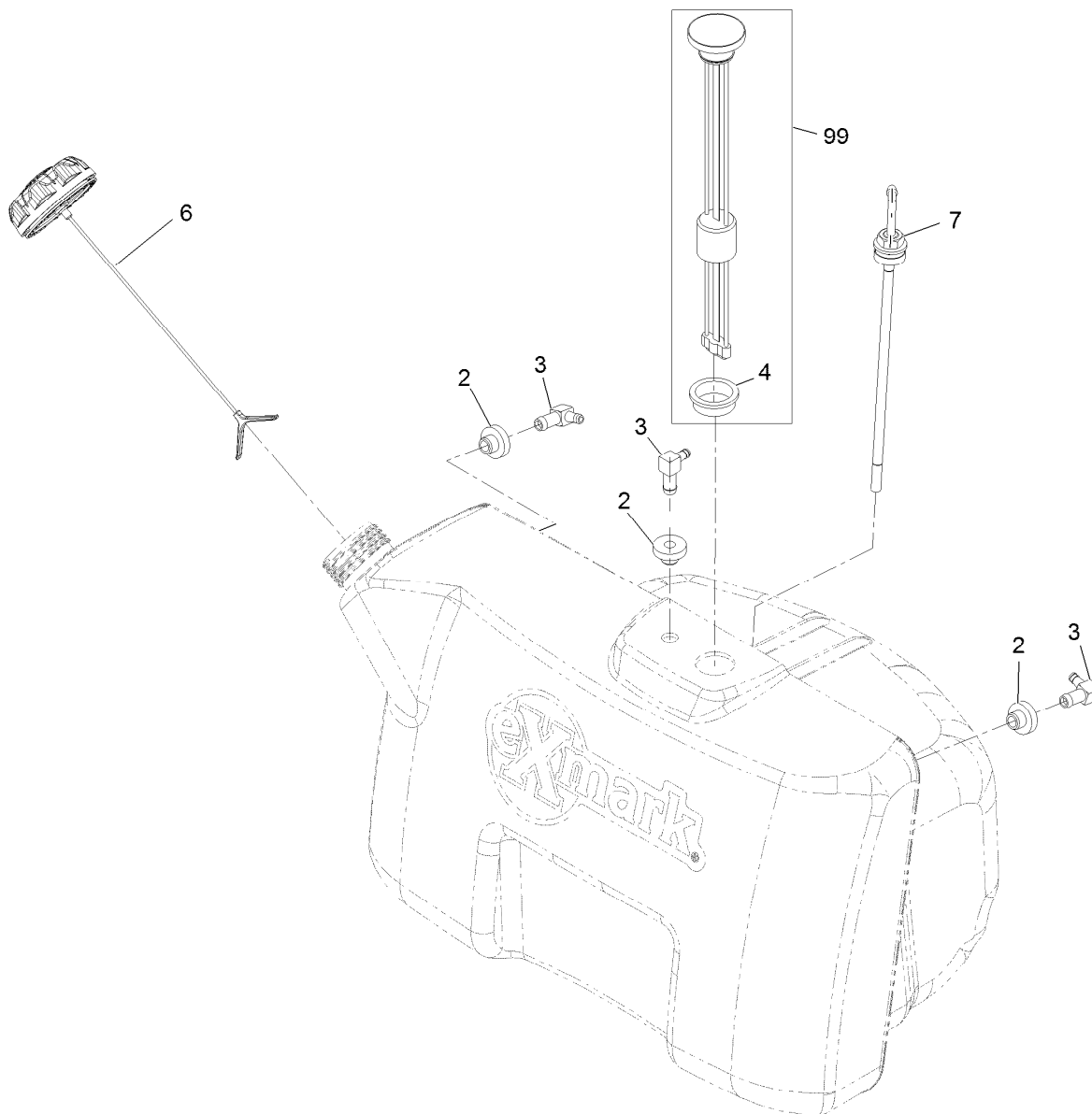
Engine Assembly

Ref.	Part Number	Qty.	Description	Ref.	Part Number	Qty.	Description
1		1	Engine, Kohler ●■	26	125-4660-03	1	Mount-Cleaner, Air
2	116-8748	1	Muffler, Kohler, Efi	27	33103-016	2	Screw-HH Flg M6-1 X 16Mm
4	68-9400	4	Nut-Flange	28	322-3	2	Screw-HH 5/16-18 X 3/4
7	104-7658	2	Spacer	29	104-8300	2	Nut-Nyloc 5/16-18 Flg
8	3234-29	2	Screw-HH Flg 5/16-18 X 1	30	116-4047	1	Hose-Intake, Air
9	32128-25	2	Nut-Hex 5/16-18 Side Lock	31	2412-42	2	Clamp-Hose
12	107-4136	1	Washer	32	116-5108	1	Oil Drain Hose ASM
13	1-603610	1	Washer-Spring Disc 7/16	32:2	353-508	1	Plug-W/O-Ring
14	3212-6	1	Screw-HH 7/16-20 X 1 1/2 ▲	32:2:1	237-42	1	O-Ring
15	32144-70	1	Screw-HWH 5/16-18 X 3/4 Tf	33	116-3811-01	1	Bracket-Anchor, Clutch
17	98-5975	2	Washer-Spring Disc 3/8	34	126-0983	4	Screw-Bh-T45
19	3290-378	1	Tie-Cable	35	2412-147	1	Clamp
20	110-6697	2	Gasket-Exhaust	36	3231-22	1	Bolt-Carriage 3/8-16 X 1
21	1-807259	1	Key-Machine 1/4 X 1/4 X 1	37	104-8301	1	Nut-Nyloc 3/8-16 Flg
22	116-3882	1	Pulley	38	116-5722	1	Screw-HWHTF
23	126-0071	1	Mount, Muffler-Lt	39	116-4295	3	Screw-HH M6-1 X 20Mm W/Patch
24	126-0072	1	Mount, Muffler-Rt	44	116-5722	2	Screw-HWHTF
25	116-8517	1	Clutch-200 Ft-Lb, 1.125 Bore - No D Drive	45	3256-23	2	Washer-5/16 Sae

● Not serviced separately

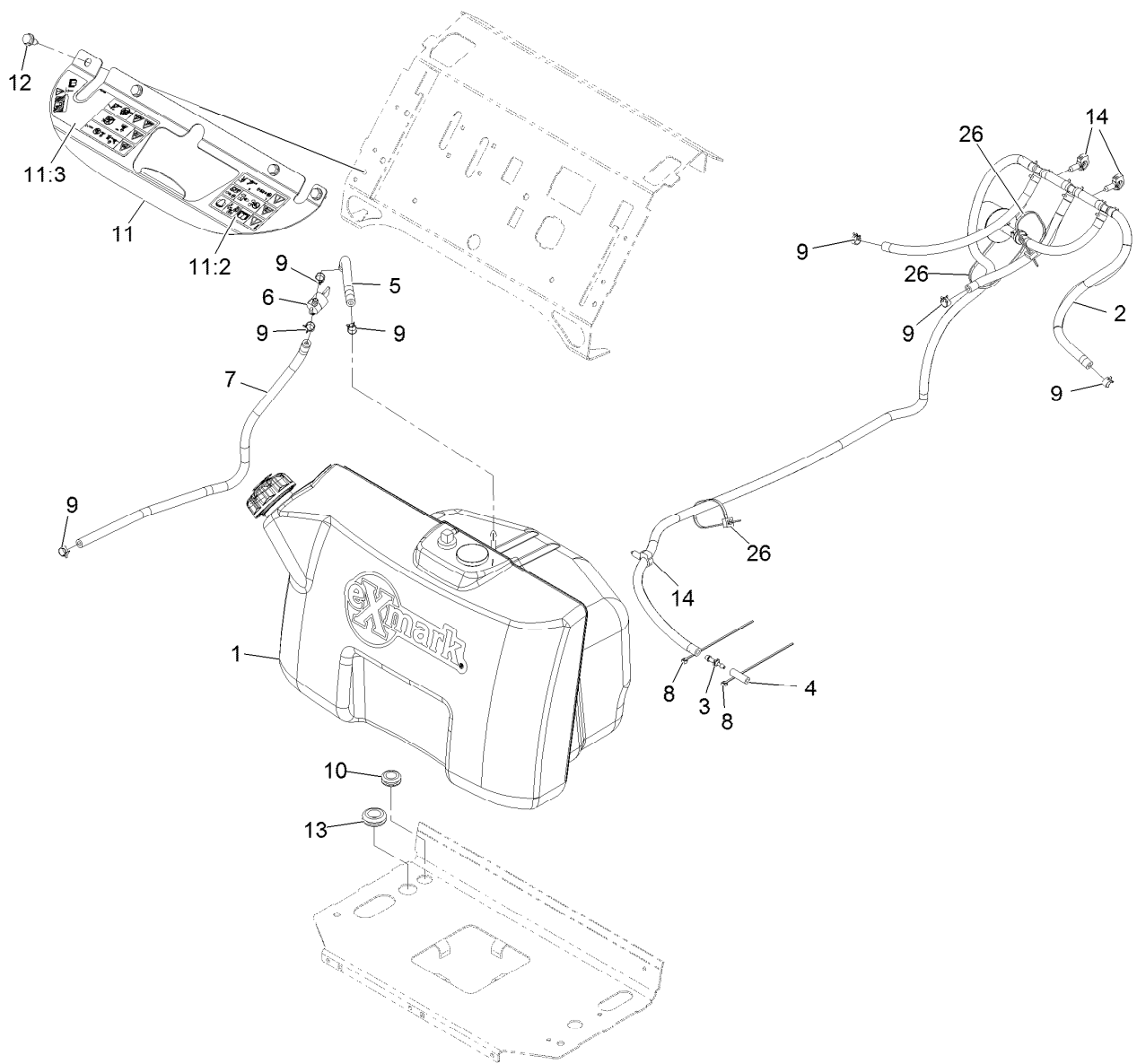
▲ Use Pro-Lock, Nut Type (P/N 1-840022, .5ml tube) on threads.

■ Obtain parts from www.kohlerplus.com



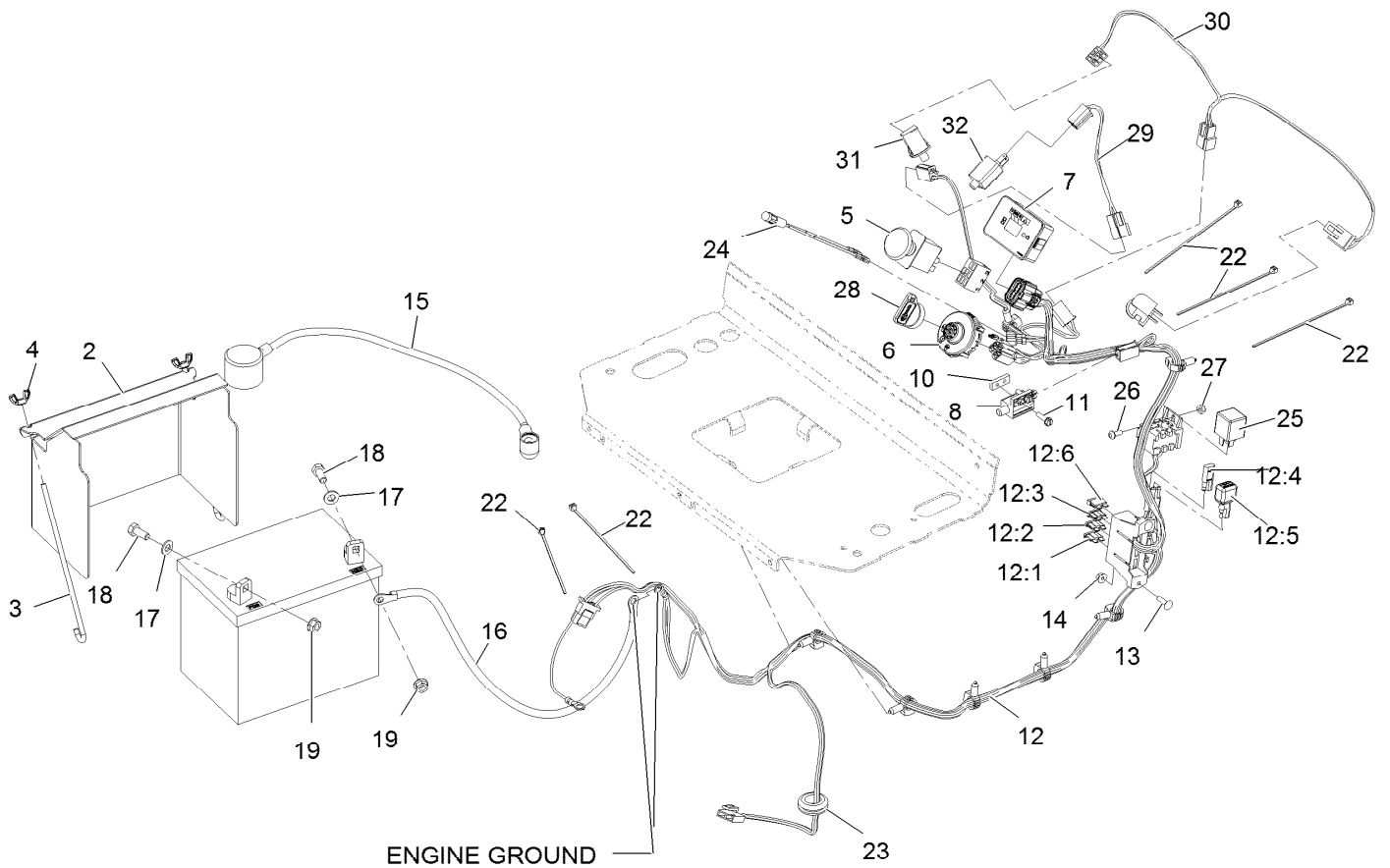
Fuel Tank Assembly No. 116-4577

<i>Ref.</i>	<i>Part Number</i>	<i>Qty.</i>	<i>Description</i>
2	46-6560	3	Bushing
3	1-643172	3	Elbow-90 DEG
4	95-8972	1	Grommet
6	126-1789	1	Cap-Fuel, Ratcheting
7	116-3408	1	Fitting-Fuel, Bulkhead
99	116-7264	1	Kit, Vantage Fuel Gage Replacement



Fuel Assembly

Ref.	Part Number	Qty.	Description	Ref.	Part Number	Qty.	Description
1	116-4577	1	Tank ASM- Exmark	10	112-7069	1	Grommet
2	116-5096	1	Vent ASM	11	116-9193	1	Bracket-Tank
3	116-5072	1	Fitting-Straight	11:2	116-9143	1	Decal-Warning LH
4	115-3392	1	Hose	11:3	116-9144	1	Decal-Warning RH
5	107-9297	1	Hose-Fuel	12	32144-70	4	Screw-HWH 5/16-18 X 3/4 Tf
6	1-603770	1	Valve-Fuel	13	117-2781	1	Grommet
7	109-0301	1	Hose-Fuel	14	32180-040	3	Clip-Harness
8	1-303287	2	Tie-Cable 5 1/2 (Small)	26	3290-378	3	Tie-Cable
9	2412-98	7	Clamp-Hose				



Electrical Assembly

Ref.	Part Number	Qty.	Description	Ref.	Part Number	Qty.	Description
2	117-0543-01	1	Cover-Battery	14	3290-148	2	Nut-Whizlock #10-24
3	1-633651	2	Bolt-Holddown	15	115-3864	1	Cable-Battery, Positive
4	1-543792	2	Wingnut-Nyloc 1/4-20	16	105-0836	1	Cable-Battery, Black
5	114-0279	1	Switch-PTO	17	3256-23	2	Washer-5/16 Sae
6	117-2222	1	Switch-Ignition	18	322-3	2	Screw-HH 5/16-18 X 3/4
7	116-8893	1	Module-Hour Meter	19	109-5715	2	Nut-Hex Flange 5/16-18
8	1-513152	1	Switch-Closed, Normally	22	1-303287	5	Tie-Cable 5 1/2 (Small)
10	1-633181	2	Plate-Tapped	23	117-2781	1	Grommet
11	32105-13	4	Screw-HWH #10-24 X 3/4	24	1-643267	1	Indicator-Red Led
12	121-7509	1	Harness-Wire Efi ■	25	1-643275	1	Relay-12Vdc 40 Amp
12:1	109103	1	Fuse-Blade, 30 Amp	26	3250-12	1	Screw-PPH #10-24 X 1/2
12:2	109102	1	Fuse-Blade, 25 Amp	27	3296-2	1	Nut-Nyloc #10-24
12:3	218-578	1	Fuse-Blade, 10 Amp	28	103-2106	1	Key-Exmark Logo
12:4	116-0053	1	Cap-Plug ●	29	116-8845	1	Harness-Neutral
12:5	103-3895	1	Diode-Tvs	30	116-8844	1	Harness-Opc
12:6	109355	1	Fuse-Blade, 15 Amp	31	82-2190	2	Switch-Bail
13	3229-20	2	Screw-CARR	32	1-513051	1	Switch-Open, Normally

● Not illustrated

■ Use dielectric grease on all unsealed connectors and terminals only. Do not apply in sealed connectors.

Notes:

Notes:

EXMARK® MAINTENANCE

MAXIMIZE THE PERFORMANCE OF YOUR EXMARK.

4-CYCLE PREMIUM ENGINE OIL

Part No. 116-3373

Both SAE 30 and SAE 10W-30 in one bottle.

Contains increased levels of zinc and phosphorus for better lubricity.

No Viscosity Index Improvers that tend to shear down in high heat.

Synthetic formulation.

Gas & Diesel compatible.

Anti-corrosion additives.

API 'SL' and JASO rated with wet clutch compatibility for other machines.

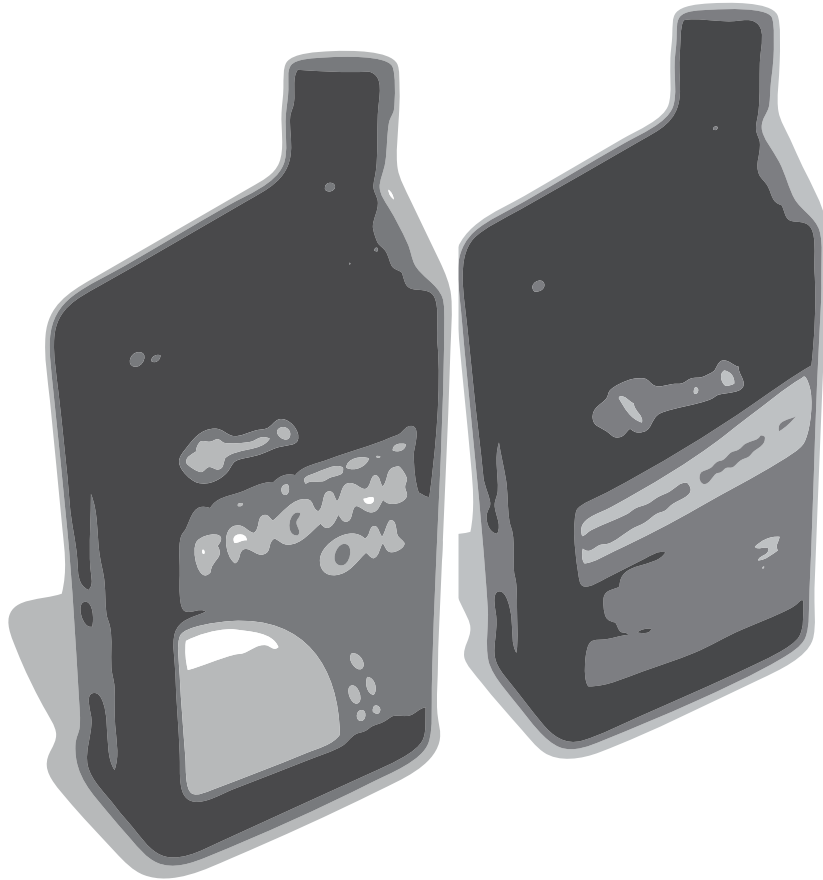
PREMIUM HYDRO OIL

Part No. 109-9828

Commercial quality for tough, high-heat conditions.

Designed specifically for zero-turn mower hydraulic systems.

Superior shear resistance under heavy loads.



Available from your local Exmark dealer. Find your closest dealer at exmark.com

EXMARK ACCESSORIES AND OPTIONS*

MID-MOUNT RIDING ACCESSORIES AND OPTIONS

CUSTOM RIDE SEAT SUSPENSION SYSTEM	OPERATOR CONTROLLED DISCHARGE
FULL SUSPENSION SEAT	SUN SHADE
DECK LIFT ASSIST KIT	TRASH CONTAINER
HITCH KIT	TURF STRIPER
LIGHT KIT	ULTRA VAC COLLECTION SYSTEM
12V POWER PORT	ULTRA VAC QUICK DISPOSAL SYSTEM
MICRO-MULCH SYSTEM	

OUT-FRONT RIDING ACCESSORIES AND OPTIONS

CUSTOM RIDE SEAT SUSPENSION SYSTEM	SNOW BLADE
DUAL-TAIL WHEEL	SNOWBLOWER
FLOOR PAN EXTENDER	SUN SHADE
HITCH KIT	TRASH CONTAINER
LIGHT KIT	ULTRA VAC COLLECTION SYSTEM
MICRO-MULCH SYSTEM	ULTRA VAC QUICK DISPOSAL SYSTEM
ROLL OVER PROTECTION SYSTEM (ROPS)	WEATHER CAB

WALK-BEHIND ACCESSORIES AND OPTIONS

GRASS CATCHER	TURF STRIPER
MICRO-MULCH SYSTEM	STANDON

*Some accessories and options not available for some models.

Place Model No. and Serial No.
Label Here (Included in the Literature
Pack) or Fill in Below

Model No. _____

Serial No. _____

Date Purchased _____

Engine Model No. and Spec. No. _____

Engine Serial No. (E/No) _____

© 2014 Exmark Mfg. Co., Inc.
Industrial Park Box 808
Beatrice, NE 68310
All Rights Reserved

Part No. 4501-802 Rev. A
(402) 223-6300
Fax (402) 223-5489
Printed in the USA.

