



**Count on it.**

**Parts Catalog**

**17in Curved-Shaft Gas Trimmer**

Model No. 51954—Serial No. 31000001 and Up



# Ordering Replacement Parts

To order replacement parts, please supply the part number, the quantity, and the description of each part desired.

## Understanding Reference Numbers

Each identified part in an illustration has a reference number. The reference number for a part also appears in the parts list, along with other information about the part.

This catalog uses two special reference number formats, one to indicate parts in a service assembly and another to indicate the quantity of a given part in an illustration.

## Service Assembly Reference Numbers

Parts in service assemblies have reference numbers in the form a:b. The a represents the reference number of the entire service assembly and the b represents a sequential number unique to each part within the service assembly.

For example, a wheel assembly might be identified by reference number 6, the tire by 6:1, the valve by 6:2, and the wheel by 6:3. When you order the assembly identified by reference number 6, you receive all parts identified by reference numbers 6:1, 6:2, and 6:3. However, you may also order any part individually. Reference numbers of this type appear in illustration and in parts lists.

## Reference Numbers Indicating Quantity

In an illustration, if a reference number indicates more than one part, the reference number has the form nX y. The n represents the quantity of the part, the X is the multiplication symbol, and the y represents the reference number.

For example, in an illustration, the reference number 2X 37 means that two of the parts identified by reference number 37 are indicated.

# List of Abbreviations

**AR:** as required

**ASM:** assembly

**BBC:** blade brake control

**BHTF:** button head thread forming

**CARR:** carriage

**CCW:** counter clockwise

**CW:** clockwise

**DEG:** degrees

**DPA:** Dual Point Adjustment

**ECM:** electronic control module

**EXT:** external

**FH:** flat head

**GA:** gauge

**HD:** heavy-duty

**HF:** hex flange

**HH:** hex head

**HHF:** hex head flange

**HHFTF:** hex head flange thread forming

**HJ:** hex jam

**HLH:** hex lag head

**HOC:** height-of-cut

**HSBH:** hex socket button head

**HSFH:** hex socket flat head

**HSH:** hex socket head

**HWH:** hex washer head

**HWHTF:** hex washer head thread forming

**HYD:** hydraulic

**LH:** left hand

**LP:** Liquefied Petroleum Gas

**LPG:** Liquefied Petroleum Gas

**NI:** nylon insert

**NPTF:** national pipe thread fine

**PFH:** phillips flat head

**PPH:** phillips pan head

**PPHTF:** phillips pan head thread forming

**PRH:** phillips round head

**PTH:** phillips truss head

**PTO:** power-take-off

**RH:** right hand

**ROPS:** roll-over protection system

**RRB:** rear roller brush

**SFH:** slotted fillister head

**SHH:** slotted hex head

**SHWH:** slotted hex washer head

**SPH:** slotted pan head

**SQH:** square head

**SRH:** slotted round head

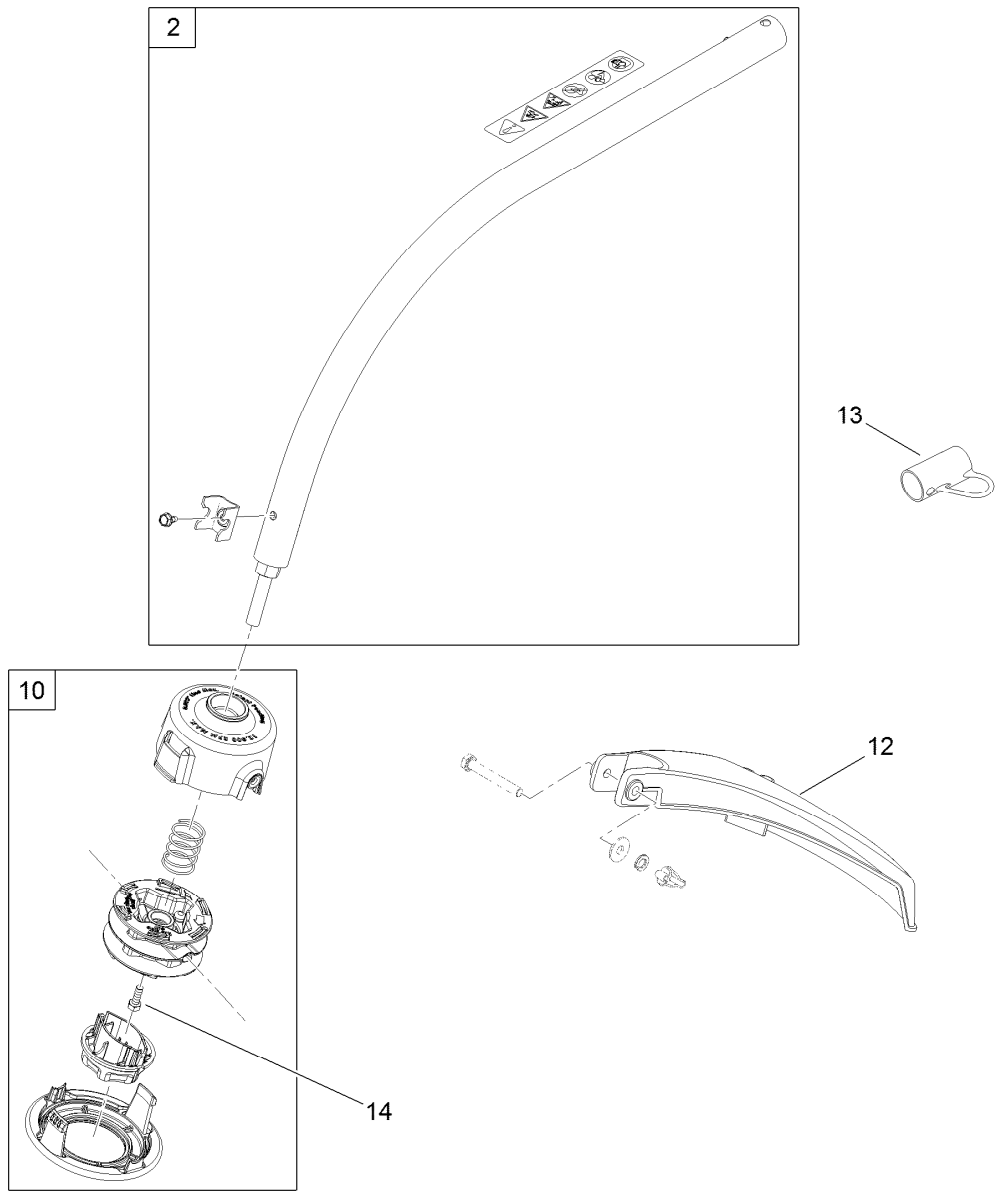
**STD:** standard

**TAP:** self tapping

**TTH:** torx truss head

# Contents

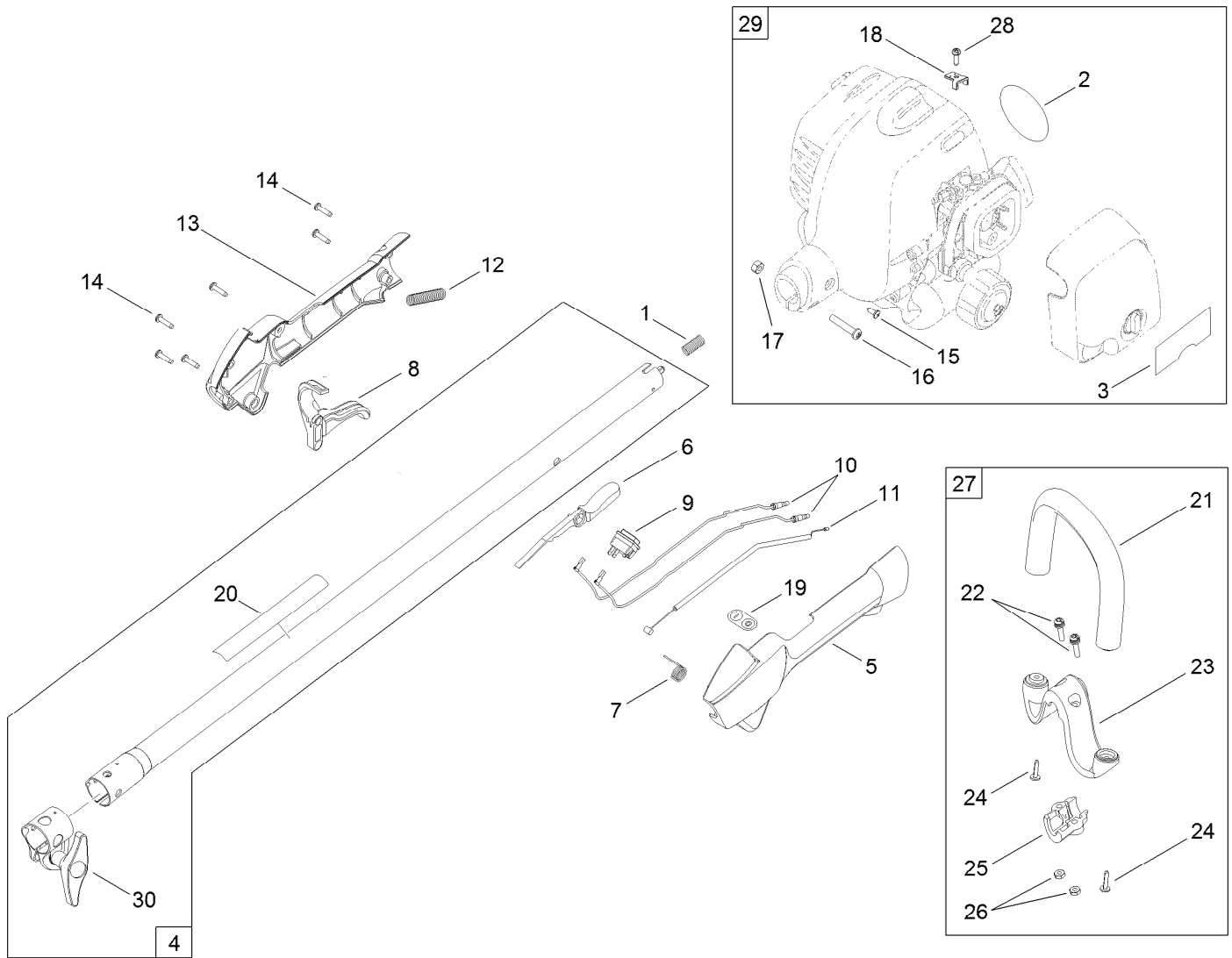
Trimmer Head, Shaft and Guard Assembly .....	4
Powerhead, Upper Shaft and Handle Assembly .....	5
Muffler, Carburator, Fuel Tank and Housing Assembly.....	6



## Trimmer Head, Shaft and Guard Assembly

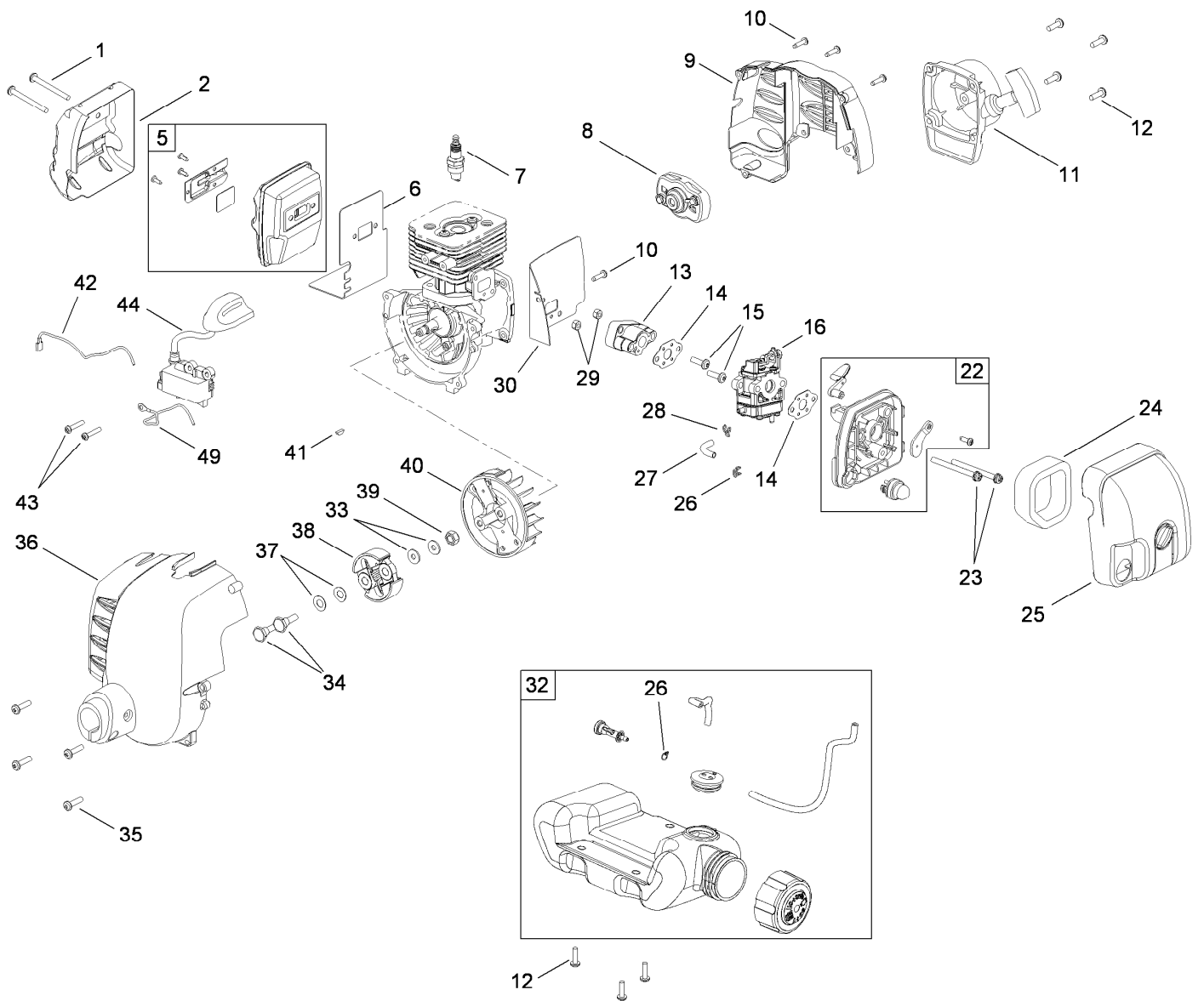
Ref.	Part Number	Qty.	Description
2	308841011	1	Curved Shaft ASM
10	308923014	1	Trimmer Head ASM
12	308052005	1	Guard-Trimmer
13	518019002	1	Cap-Hanger
14	660650001	1	Bolt ●

● Serviced separately, not sold with this kit



## Powerhead, Upper Shaft and Handle Assembly

Ref.	Part Number	Qty.	Description	Ref.	Part Number	Qty.	Description
1	678906001	1	Spring-Compression	16	T660697001	1	Screw
2	940865001	1	Plate-Logo	17	678029002	1	Nut-Hex
3	940686064	1	Label-Start, Lower	18	638133001	1	Clamp-Cable, Throttle
4	308159015	1	Upper Shaft ASM	19	940864001	1	Label-On/Off
5	518122001	1	Support-Handle, Rear	20	940657034	1	Label-Warning
6	518125001	1	Button-Off, Lock	21	000998535	1	Handle-Front
7	690694002	1	Spring-Trigger	22	660653001	2	Screw
8	518124001	1	Trigger	23	518038001	1	Clamp-M
9	760394002	1	Switch	24	660637002	2	Screw
10	308863029	2	Lead	25	518020001	1	Clamp
11	308225003	1	Cable-Throttle	26	81068	2	Nut-Hex
12	518210004	1	Tube-Corrugated	27	308056003	1	Front Handle ASM
13	518123001	1	Cover-Handle, Rear	28	660734001	1	Screw
14	660563002	6	Screw	29	308466010	1	Powerhead ASM
15	660669001	1	Screw-PPH	30	308045008	1	Clamp-Boom



## Muffler, Carburetor, Fuel Tank and Housing Assembly

Ref.	Part Number	Qty.	Description	Ref.	Part Number	Qty.	Description
1	660347001	2	Screw-Pan HD	27	570259008	1	Line-Fuel
2	638027002	1	Shield-Heat	28	690700001	1	Clip-Hose
5	300748021	1	Muffler ASM	29	690840001	2	Nut
6	630002006	1	Gasket-Muffler	30	900711008	1	Gasket-Insulator
7	870174001	1	Sparkplug	32	310833001	1	Fuel Tank And Cap ASM
8	308004001	1	Pulley ASM	33	690695001	2	Washer
9	590470001	1	Housing-Engine, Rear	34	6635301	2	Screw-Clutch
10	660563001	4	Screw	35	660344001	4	Screw-Pan HD
11	308430001	1	Recoil Starter ASM	36	300754023	1	Front Housing ASM
12	660351001	7	Screw-Pan HD	37	690696001	2	Washer-Curved
13	518329001	1	Insulator-Dam, Heat	38	300756006	1	Clutch ASM
14	900711003	2	Gasket-Carburetor	39	690689001	1	Nut-Rotor
15	660344003	2	Screw-Pan HD	40	640574002	1	Rotor
16	308480001	1	Carburetor ASM	41	690688001	1	Key-Woodruff
22	308478001	1	Filter Housing ASM	42	290143001	1	Wire-Lead, Black
23	660346001	2	Screw-Pan HD	43	660349001	2	Screw-Pan HD
24	560873001	1	Element	44	290178006	1	Coil Boot ASM
25	308207004	1	Cover ASM	49	290143002	1	Wire-Lead, Red
26	690699001	1	Clip-Hose				

**Notes:**



**Count on it.**