



Count on it.

Parts Catalog

17in Curved-Shaft Gas Trimmer

Model No. 51956—Serial No. 312000001 and Up



Ordering Replacement Parts

To order replacement parts, please supply the part number, the quantity, and the description of each part desired.

Understanding Reference Numbers

Each identified part in an illustration has a reference number. The reference number for a part also appears in the parts list, along with other information about the part.

This catalog uses two special reference number formats, one to indicate parts in a service assembly and another to indicate the quantity of a given part in an illustration.

Service Assembly Reference Numbers

Parts in service assemblies have reference numbers in the form a:b. The a represents the reference number of the entire service assembly and the b represents a sequential number unique to each part within the service assembly.

For example, a wheel assembly might be identified by reference number 6, the tire by 6:1, the valve by 6:2, and the wheel by 6:3. When you order the assembly identified by reference number 6, you receive all parts identified by reference numbers 6:1, 6:2, and 6:3. However, you may also order any part individually. Reference numbers of this type appear in illustration and in parts lists.

Reference Numbers Indicating Quantity

In an illustration, if a reference number indicates more than one part, the reference number has the form nX y. The n represents the quantity of the part, the X is the multiplication symbol, and the y represents the reference number.

For example, in an illustration, the reference number 2X 37 means that two of the parts identified by reference number 37 are indicated.

List of Abbreviations

AR: as required

ASM: assembly

BBC: blade brake control

BHTF: button head thread forming

CARR: carriage

CCW: counter clockwise

CW: clockwise

DEG: degrees

DPA: Dual Point Adjustment

ECM: electronic control module

EXT: external

FH: flat head

GA: gauge

HD: heavy-duty

HF: hex flange

HH: hex head

HHF: hex head flange

HHFTF: hex head flange thread forming

HJ: hex jam

HLH: hex lag head

HOC: height-of-cut

HSBH: hex socket button head

HSFH: hex socket flat head

HSH: hex socket head

HWH: hex washer head

HWHTF: hex washer head thread forming

HYD: hydraulic

LH: left hand

LP: Liquefied Petroleum Gas

LPG: Liquefied Petroleum Gas

NI: nylon insert

NPTF: national pipe thread fine

PFH: phillips flat head

PPH: phillips pan head

PPHTF: phillips pan head thread forming

PRH: phillips round head

PTH: phillips truss head

PTO: power-take-off

RH: right hand

ROPS: roll-over protection system

RRB: rear roller brush

SFH: slotted fillister head

SHH: slotted hex head

SHWH: slotted hex washer head

SPH: slotted pan head

SQH: square head

SRH: slotted round head

STD: standard

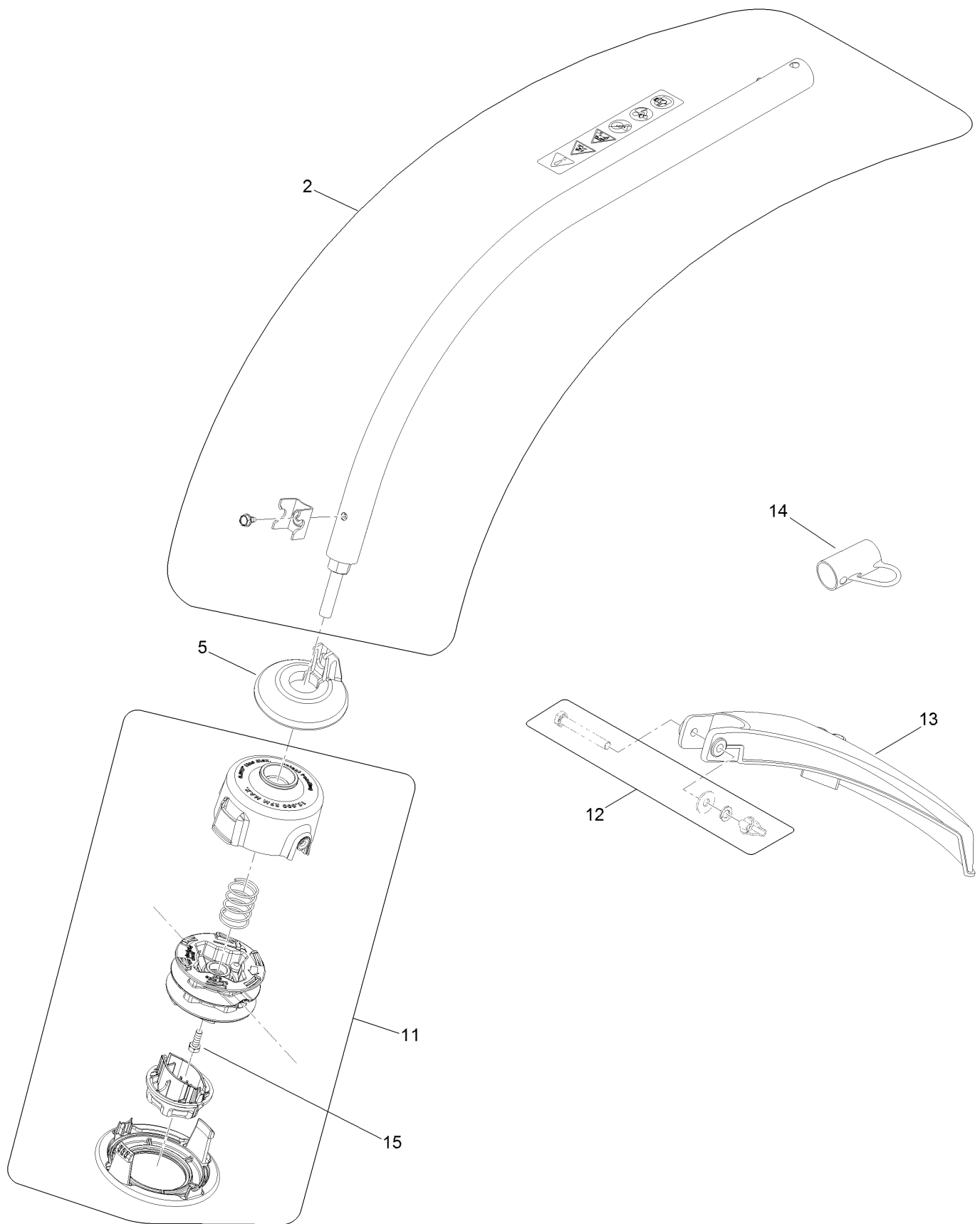
TAP: self tapping

TTH: torx truss head

Contents

Trimmer Head, Straight Shaft and Guard Assembly	4
Upper Shaft, Handle and Powerhead Assembly	6
Powerhead Assembly No. 308466013	8

Trimmer Head, Straight Shaft and Guard Assembly

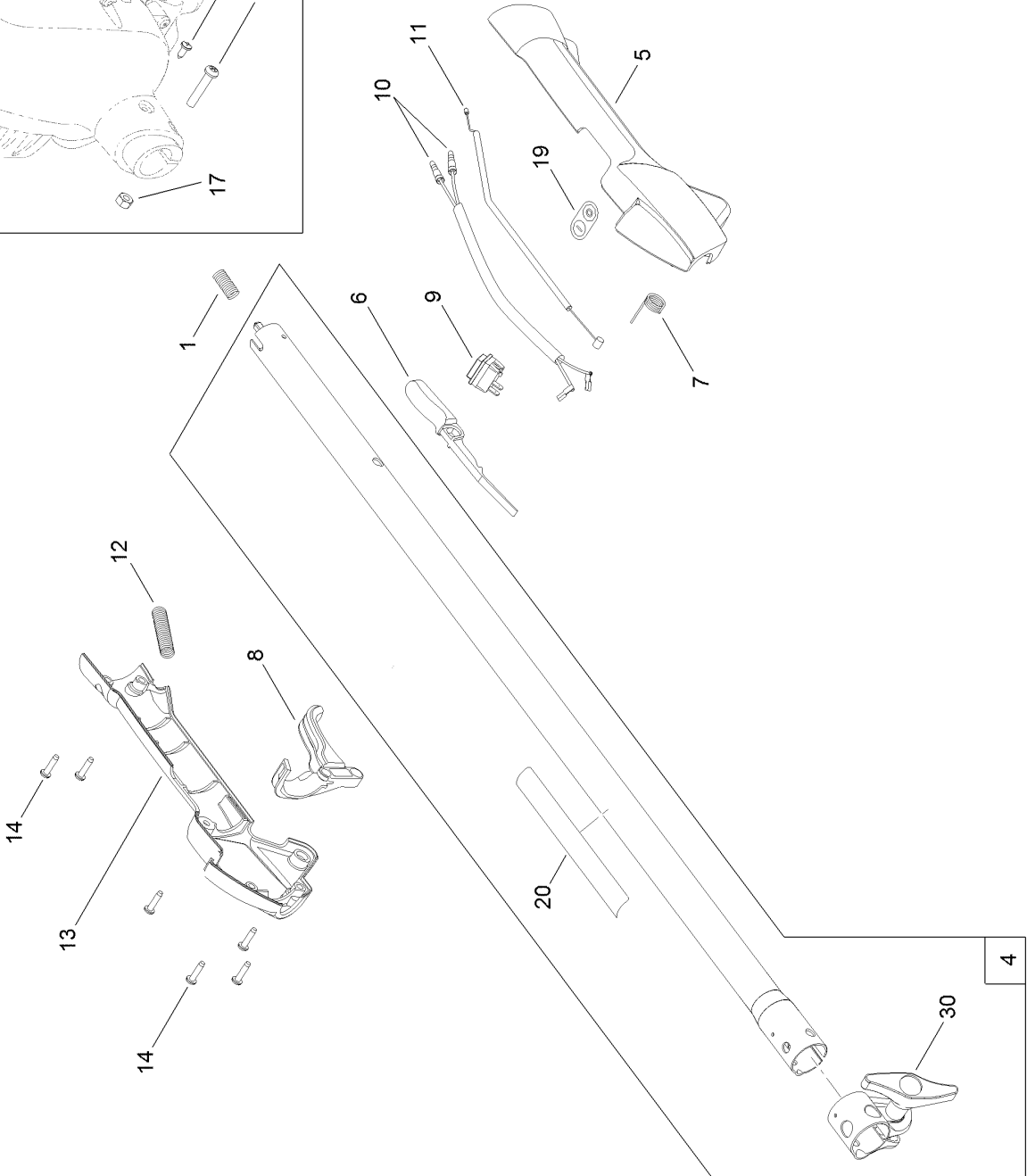
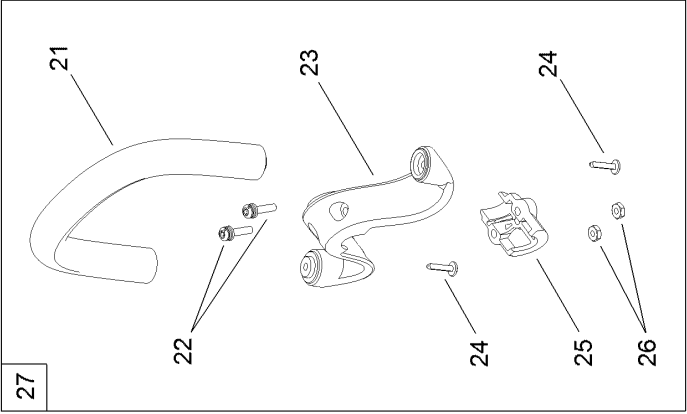
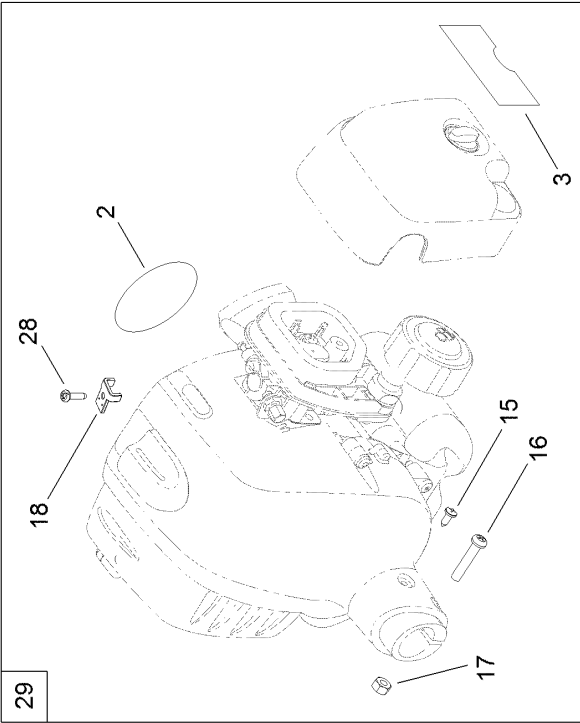


Trimmer Head, Straight Shaft and Guard Assembly (continued)

<i>Ref.</i>	<i>Part Number</i>	<i>Qty.</i>	<i>Description</i>	<i>Ref.</i>	<i>Part Number</i>	<i>Qty.</i>	<i>Description</i>
2	308841011	1	Curved Shaft ASM	13	308052005	1	Guard-Trimmer
5	522702001	1	Shield-Grass	14	518019002	1	Cap-Hanger
11	308923014	1	Trimmer Head ASM	15	660650001	1	Bolt ●
12	120650001	1	Guard Fastener Kit				

● Serviced separately, not sold with this kit

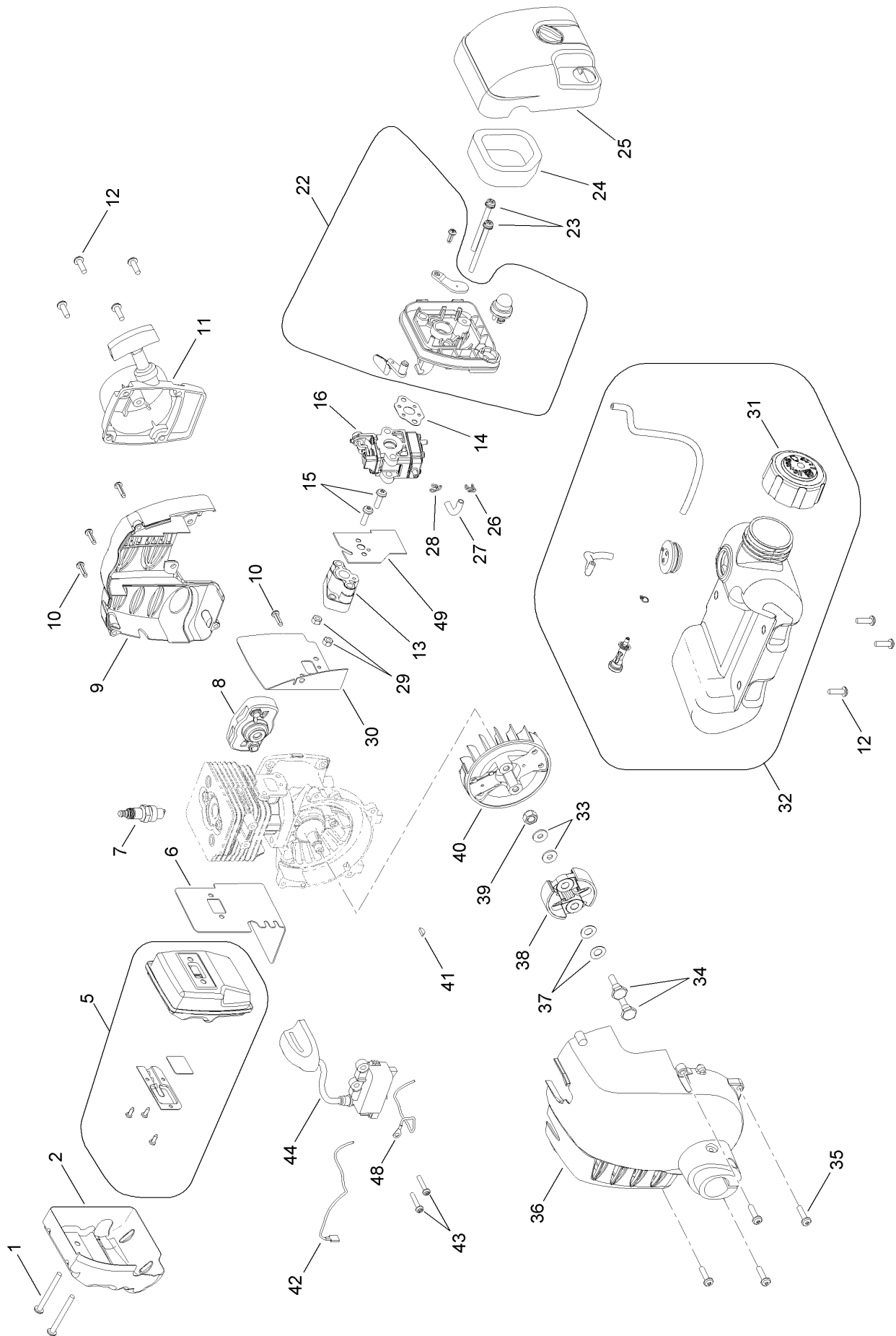
Upper Shaft, Handle and Powerhead Assembly



Upper Shaft, Handle and Powerhead Assembly (continued)

<i>Ref.</i>	<i>Part Number</i>	<i>Qty.</i>	<i>Description</i>	<i>Ref.</i>	<i>Part Number</i>	<i>Qty.</i>	<i>Description</i>
1	678906001	1	Spring-Compression	16	T660697001	1	Screw
2	940865001	1	Plate-Logo	17	983619015	1	Nut-Hex
3	940686099	1	Label-Start, Lower	18	638133001	1	Clamp-Cable, Throttle
4	308159015	1	Upper Shaft ASM	19	940864003	1	Label-On/Stop
5	518122001	1	Support-Handle, Rear	20	940657034	1	Label-Warning
6	518125001	1	Button-Off, Lock	21	000998535	1	Handle-Front
7	690694002	1	Spring-Trigger	22	660653005	2	Screw
8	518124001	1	Trigger	23	518038001	1	Clamp-M
9	760700001	1	Switch-On/Stop	24	660637002	2	Screw
10	308863029	2	Lead	25	518020001	1	Clamp
11	308225003	1	Cable-Throttle	26	678106001	2	Nut-Hex
12	518210004	1	Tube-Corrugated	27	308056003	1	Front Handle ASM
13	518123001	1	Cover-Handle, Rear	28	660734001	1	Screw
14	660563002	6	Screw	29	308466013	1	Powerhead ASM
15	660669001	1	Screw-PPH	30	308045008	1	Clamp-Boom

Powerhead Assembly No. 308466013



Powerhead Assembly No. 308466013 (continued)

<i>Ref.</i>	<i>Part Number</i>	<i>Qty.</i>	<i>Description</i>	<i>Ref.</i>	<i>Part Number</i>	<i>Qty.</i>	<i>Description</i>
1	660347001	2	Screw-Pan HD	28	690700001	1	Clip-Hose
2	638027002	1	Shield-Heat	29	690840001	2	Nut
5	300748021	1	Muffler ASM	30	900711008	1	Gasket-Insulator
6	630002006	1	Gasket-Muffler	31	310816005	1	Cap-Fuel
7	870174001	1	Sparkplug	32	310832008	1	Fuel Tank ASM
8	308004001	1	Pulley ASM	33	690695001	2	Washer
9	590470001	1	Housing-Engine, Rear	34	660353001	2	Screw-Clutch
10	660563001	4	Screw	35	660344001	4	Screw-Pan HD
11	308430001	1	Recoil Starter ASM	36	300754023	1	Front Housing ASM
12	660351001	7	Screw-Pan HD	37	690696001	2	Washer-Curved
13	518329001	1	Insulator-Dam, Heat	38	300756006	1	Clutch ASM
14	900711003	1	Gasket-Carburetor	39	690689001	1	Nut-Rotor
15	660344003	2	Screw-Pan HD	40	640574002	1	Rotor
16	308480001	1	Carburetor ASM	41	690688001	1	Key-Woodruff
22	308478001	1	Filter Housing ASM	42	290143001	1	Wire-Lead, Black
23	660346001	2	Screw-Pan HD	43	660349001	2	Screw-Pan HD
24	560873001	1	Element	44	290178016	1	Coil Boot ASM
25	308207004	1	Cover ASM	48	290143002	1	Wire-Lead, Red
26	690699001	1	Clip-Hose	49	901697001	1	Gasket
27	570373002	1	Line-Fuel, 45Mm				

Notes:

Notes:



Count on it.