




MODEL NO. 51720 - 1000001 & UP

OPERATOR'S
MANUAL

CORDLESS POWER™ STRING TRIMMER

SAFETY INSTRUCTIONS

WARNING

To assure maximum safety, best performance, and to gain knowledge of the appliance, it is essential that you or any other operator of the appliance read and understand the contents of this manual before operating the appliance. Pay particular attention to the safety alert symbol  which means CAUTION, WARNING OR DANGER — “personal safety instruction.” Read and understand the instruction because it has to do with safety. FAILURE TO COMPLY WITH INSTRUCTION MAY RESULT IN PERSONAL INJURY, RISK OF FIRE OR ELECTRICAL SHOCK.

SAVE THESE INSTRUCTIONS FOR FUTURE REFERENCE!

1. Read and understand Operator's Manual before using trimmer. Be thoroughly familiar with proper use of trimmer.
2. Never allow children to operate trimmer. It is not a toy. Never allow adults to operate trimmer without first reading the Operator's Manual.
3. Always wear safety glasses or other suitable eye protection.
4. Dress properly—Do not wear loose fitting clothing or jewelry that can be caught in moving parts. Always wear substantial footwear and long pants.
5. Keep the area of operation clear of all persons, particularly small children and pets.
6. Never operate trimmer without proper guards or protective safety devices in place and working.
7. Do not use trimmer in wet, damp conditions or in rain.
8. Use the right appliance. Do not use the appliance for any job except for that which it was intended.
9. **DO NOT PLUG TRIMMER INTO ANY RECEPTACLE OTHER THAN THE TORO POWERPACK™.**
10. Avoid unintentional starting. Do not carry trimmer with finger on switch.
11. Don't abuse cord—Never yank trimmer plug to disconnect from PowerPack receptacle. To unplug, grasp the plug, not the cord. Do not pull or carry appliance by cord. Do not use cord as a handle. Keep cord away from extreme heat, oil, and sharp edges.
12. Do not put hands or feet near or under rotating parts. Keep clear at all times.
13. Do not force the trimmer. It operates better and safer at the rate for which it was designed.
14. Don't Overreach—Keep proper footing and balance at all times when operating the trimmer. Keep a firm hold on the handle and walk, never run.
15. If the trimmer should start to vibrate abnormally, stop the motor, unplug the unit, and check immediately for the cause. Vibration is generally a warning of trouble.
16. Stop the motor and unplug the trimmer from the PowerPack whenever you leave the trimmer, before cleaning the housing, and when making any repairs or inspections.
17. Use only TORO charger and TORO PowerPack™ with your trimmer.
18. Keep all fasteners tight to be sure trimmer is in safe working condition. Follow maintenance instructions provided in this manual.
19. Do not operate your trimmer after it has been dropped or damaged. Return it to your nearest Authorized Toro Service Dealer for inspection and repair.
20. Maintain Appliance With Care—Keep cutting head and motor housing clean for best performance and to reduce the risk of injury. Follow General Maintenance Instructions on page 6.
21. **CAUTION**—Cutting knife on grass shield is sharp and care should be taken when cleaning and handling.
22. When not in use, store your trimmer in a dry, cool place; high or locked up out of the reach of children.

SAFETY INSTRUCTIONS

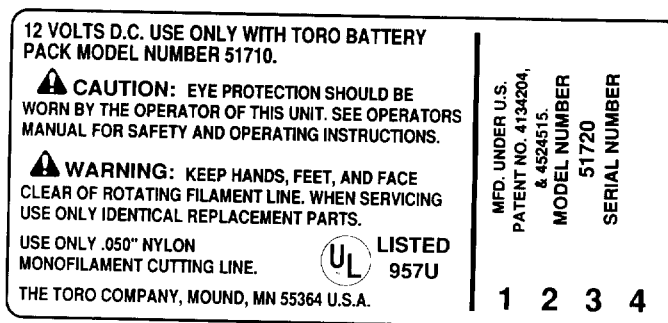
23. **WARNING**—To reduce risk of electrical shock or fire, replace charger immediately if case or cord is damaged.

24. Do not attempt to repair trimmer. Have repairs made by your local Authorized Toro Service Dealer. Use only identical TORO replacement parts.

25. This appliance is intended for residential household use only.

SAFETY DECALS

Safety decals and instructions are easily visible to the operator and are located near any area of potential danger. Replace any decal that is damaged or lost.



ON METAL TUBING

ASSEMBLY INSTRUCTIONS

CONNECTING TRIMMER TO POWERPACK (Fig. 1)

1. Insert trimmer plug into Toro PowerPack™ receptacle. Make sure the plug is all the way in the receptacle before beginning operation.

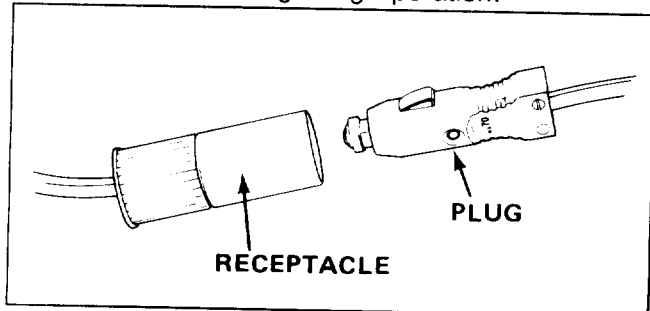


Figure 1

1. To avoid tangling line during shipment, the tip of the monofilament line has been taped to the head assembly. The tape must be removed before operation (Fig. 2).

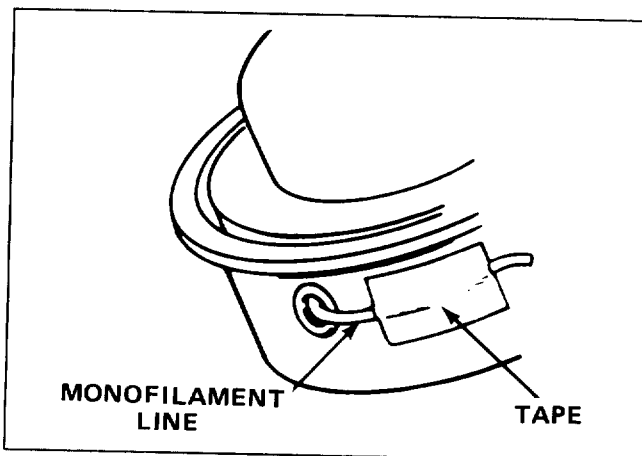


Figure 2

CUTTING LINE (Figs. 2 & 3)

NOTE: The cutting line for your trimmer is a special monofilament line. Your trimmer comes complete with a 12 foot supply of this line already wound onto the spool.

2. After each use, either retape or loop the line through the eyelet to prevent unraveling (Fig. 3).

ASSEMBLY INSTRUCTIONS

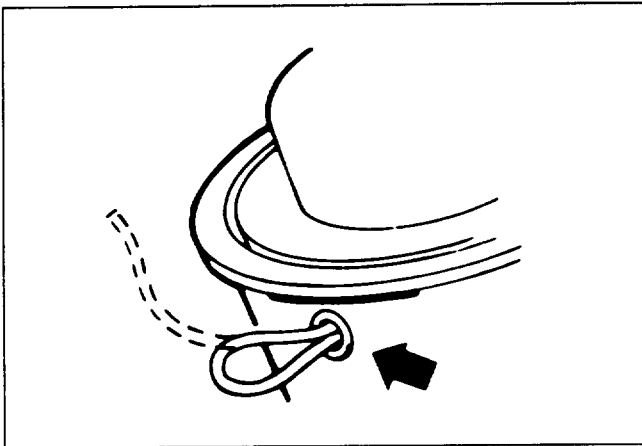


Figure 3

OPERATING INSTRUCTIONS



Always wear safety glasses or other suitable eye protection and long pants while operating trimmer.

Note: CHARGE POWERPACK IMMEDIATELY AFTER EACH USE.

1. Inspect area to be trimmed for any wire, cord or string-like matter which could become entangled in the rotating line.
2. Hold the assist handle with one hand while operating the on/off switch bar with the other hand.
3. To turn the trimmer on, squeeze the switch bar on handle (Fig. 4). The switch bar must be depressed for the trimmer to run.

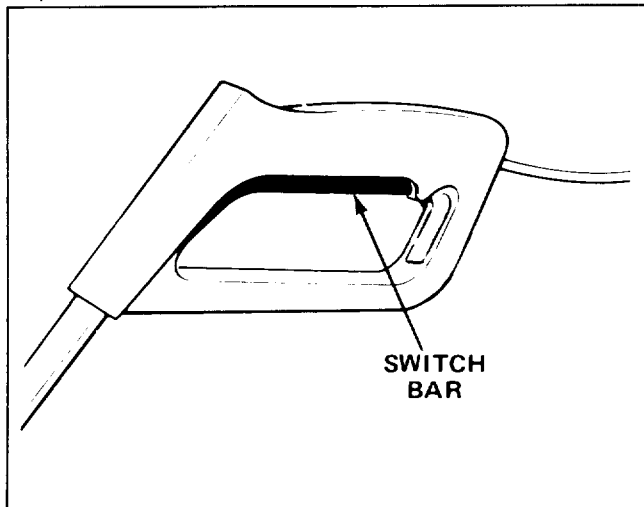


Figure 4

4. It is possible under extreme use conditions to trip the circuit breaker in the PowerPack™ (Fig. 5). If this occurs, allow the tool to rest for a

few minutes. Then reset the circuit breaker by pushing the button on the side of the PowerPack and continue. If the circuit breaker opens immediately, the system should be inspected by an Authorized Toro Electric Service Dealer.

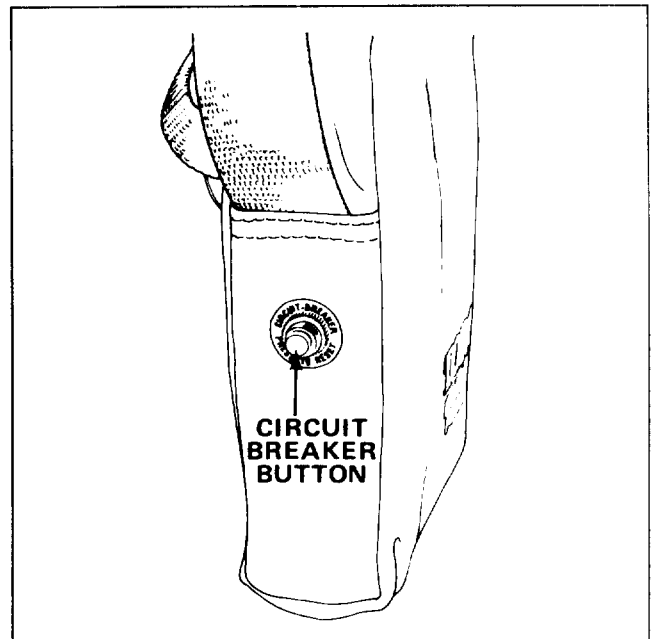


Figure 5

5. To turn the trimmer off, release the switch bar. The trimmer will stop seconds after switch is released.



Do not invert trimmer until cutting head has completely stopped rotating and trimmer has been unplugged from PowerPack.

OPERATING INSTRUCTIONS

TIPS FOR BEST TRIMMING RESULTS

Your trimmer will cut grass and small weeds in difficult and hard to reach places. However, you will experience some line breakages during your first few uses. As you learn the trimming techniques, you will be able to cut areas around trees, shrubs, foundation walls, along fences, sidewalks, patios, etc., with minimal line wear or breakage.

1. Hold the cutting head parallel to the ground, and the cutting head will be at the correct angle with the grass to be trimmed.
2. **DO NOT FORCE THE UNIT.** Allow the very tip of the nylon line to do the cutting (especially along walls) (Fig. 6). Cutting with more than the tip will reduce cutting efficiency and overload the motor.

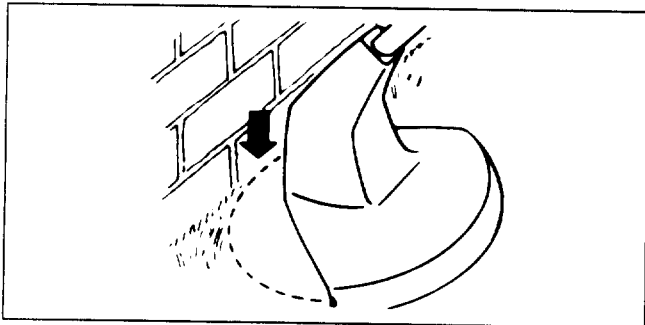


Figure 6

The tip of the cutting line will wear during use and cause a reduction in the cutting swath. If the line is not advanced occasionally, it will wear down to the drum eyelet. When the trimmer is stopped, the line tends to relax and may retract into the drum. Should this occur, unplug the PowerPack and be sure to replace the cutting line in the proper position before restarting the trimmer or the line may tangle around the drum.

3. Grass over 8 inches tall should be cut by working from the top to the bottom in small increments to avoid premature line wear or motor drag.
4. Whenever possible, cut to your left. When cutting to the left, the unit's cutting efficiency is somewhat better since the line is contacting the grass as soon as it leaves the guard, and the clippings are moving away from the operator.
5. Slowly move the trimmer into and out of the area being cut, maintaining trimmer at desired cutting height. This can be either a forward-backward or side-to-side motion (Figs. 7 & 8). Maintain top speed for best cutting.
6. Trim only when grass and weeds are dry.
7. The life of your cutting line is dependent upon following the previously stated trimming techniques, as well as what is being cut, and where

the cutting is being done. For example, line will wear faster when trimming against a foundation wall as opposed to trimming around a tree. Some line breakage will occur from moving unit too fast, from entanglement with foreign matter, from normal line fatigue, and from attempting to cut thick, stalky weeds in excess of unit's capability. As cutting line wears, for best performance, lengthen as indicated in Lengthening Cutting Line procedure.

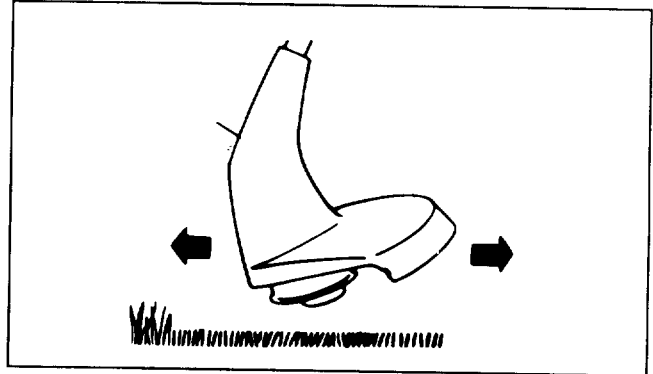


Figure 7

Forward-backward cutting motion

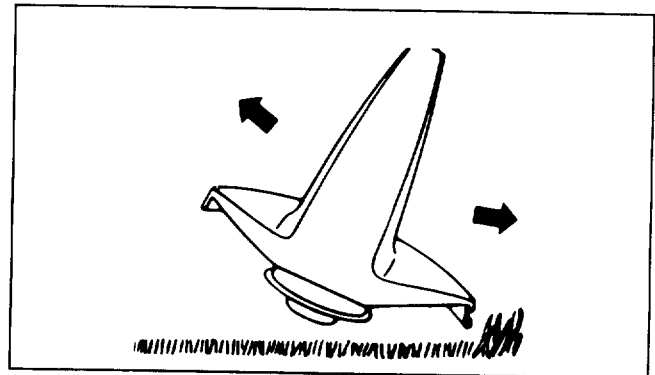


Figure 8

Side-to-side cutting motion

8. Never drag the trimmer spool cap on the ground while trimming. This causes unnecessary battery drain and spool cap wear (Fig. 9).

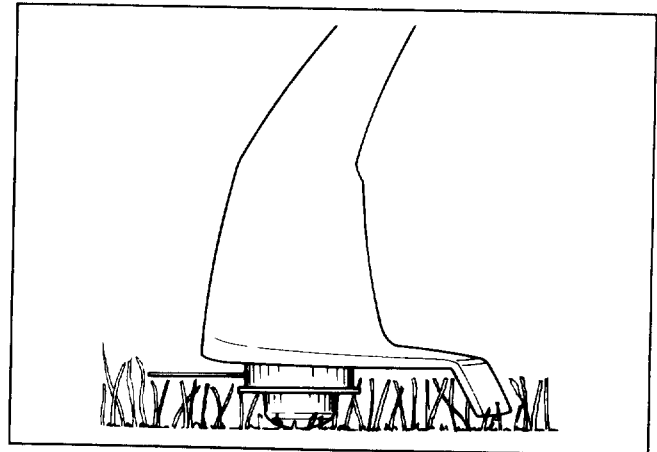


Figure 9

OPERATING INSTRUCTIONS

LENGTHENING CUTTING LINE (Fig. 10)

1. To lengthen line, firmly tap spool on the ground while the motor continues to run. The line will be fed from the spool and cut off to the proper length by the cutting knife attached to the shield.

Remember to keep the trimmer running while lengthening the line. Just tap the trimmer on the ground; do not hold it on the ground. After the tap and the line has fed out, wait until you hear the line being cut to the proper length before continuing to trim.

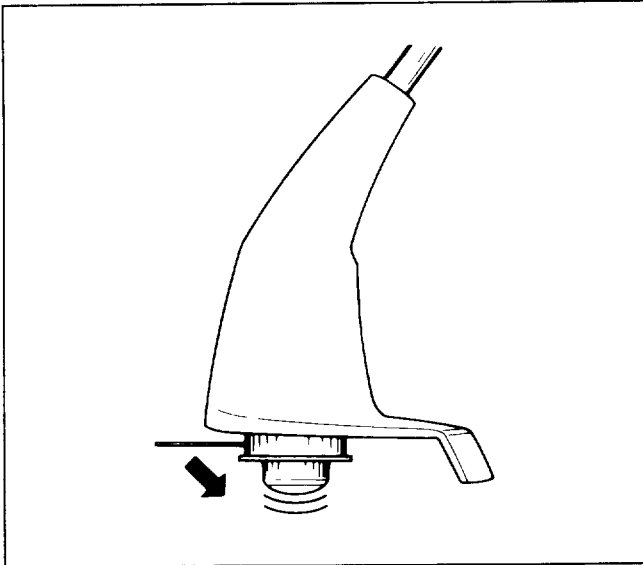


Figure 10

Note: To help prevent line tangle, tap once only to lengthen line. If additional line is required, wait a few seconds before retapping trimmer head. Do not allow line to wear too short. Keep line length at 9" diameter as much as possible.

2. Lengthen the line only when line has been shortened by wear. Unnecessary lengthening will waste line.

Note: The spool cap may wear during normal use of the line advance feature and may require occasional replacement. Replacements are available through your local Toro retailer.

CAUTION

For optimum performance, use only TORO .050" nylon monofilament cutting line. The trimmer will not perform the way it is designed to if another weight of cutting line is used.

REPLACING CUTTING LINE

Replacement line or prewound replacement spools can be purchased from your local Toro retailer.

The cutting line used by TORO is specially formulated for use on your trimmer. Other line may not provide the same high quality performance.

CAUTION

Always be sure cutting head has completely stopped rotating and trimmer is unplugged from PowerPack™ before inverting it.

1. To remove empty spool, insert widest possible blade screwdriver snugly into one of the two window slots on the spool hub and twist screwdriver 1/4 turn (Fig. 11). Spool will snap off.

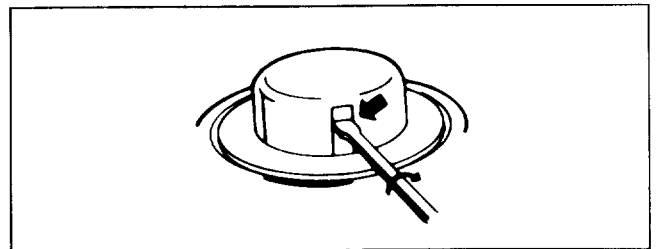


Figure 11

2. To rewind empty spool, follow these steps:

A. Hook one end of line into groove on spool, allowing no more than 1/8" to protrude. Wind line in direction of arrows on spool in level rows between spool flanges as shown in Figure 12.

Note: Trimmer will not function properly if line is wound in the wrong direction.

B. Do not wind more than 12 feet of line onto spool. Do not use line over .050" diameter.

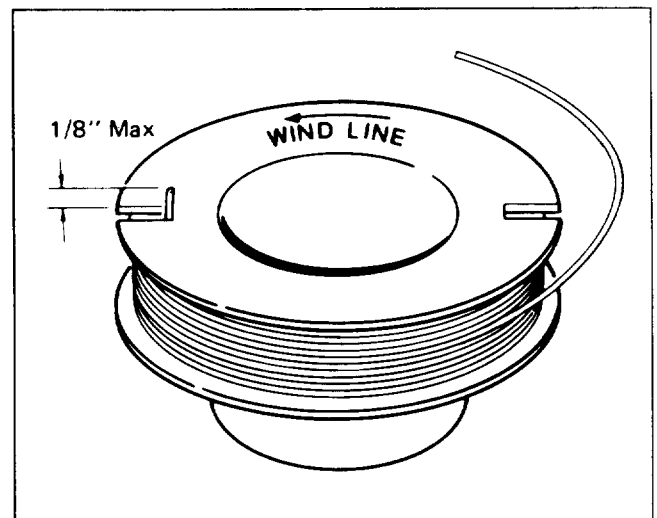


Figure 12

C. Keep line tight on spool by making a hook in the line and secure in groove (Fig. 13).

Note: Before reassembly, be sure to thoroughly clean out drum area and visually inspect for any damaged or worn parts.

OPERATING INSTRUCTIONS

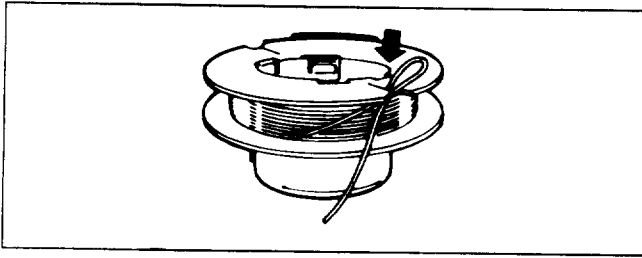


Figure 13

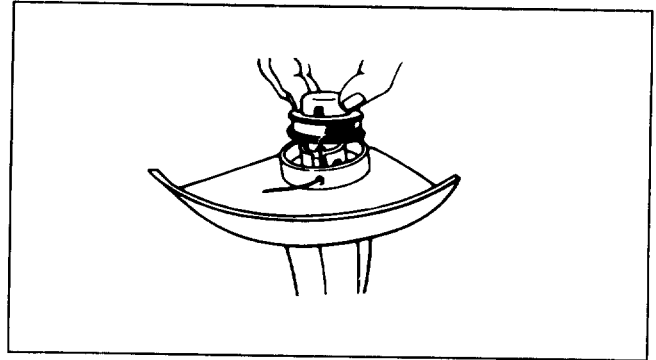


Figure 14

- D. The spool and the core are keyed. Be sure they are properly aligned when putting spool back on (Fig. 14). Thread end of line through eyelet, place spool on keyed core, and push in place until you hear it click (Figs. 14 & 15). Pull line free from groove in spool. Unwind no more than 3 inches from spool.

3. If line should tangle or break at eyelet, refeed cutting line through eyelet by pushing spool in as far as it will go and threading line back through eyelet. Or you may remove spool completely, refeed the line through the eyelet, and reassemble spool to trimmer.

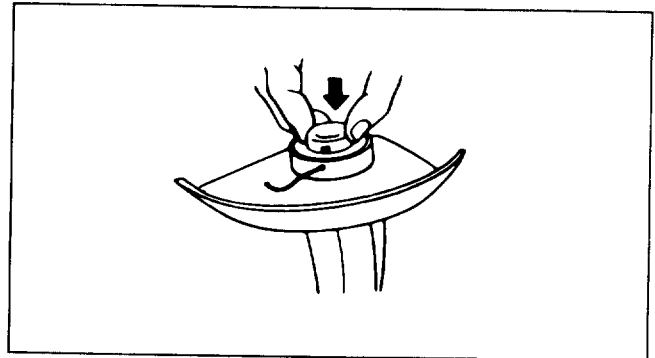


Figure 15

GENERAL MAINTENANCE



CAUTION

Always be sure your trimmer is stopped and unplugged from PowerPack™ before attempting any maintenance.

1. To keep the exterior clean, just wipe it off with a damp cloth—never hose it down.
2. Wipe or scrape clean the drum and spool area anytime there is an accumulation of dirt or cuttings.
3. Check and tighten all fasteners. If any part is damaged, repair or replace it.
4. Air exhaust vent is located on underside of shield (Fig. 16). Scrape vent clean regularly.
5. Wipe debris from air intake holes in motor housing (Fig. 16).

IMPORTANT: Keeping intake and exhaust vents free of grass and debris prevents motor overheating and possible failure.

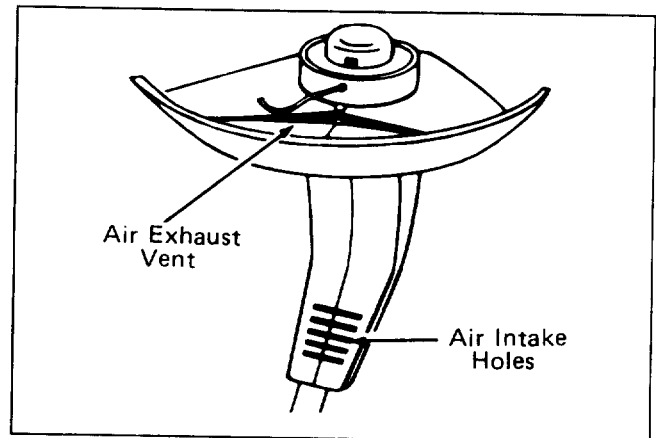


Figure 16

6. Make sure the PowerPack is unplugged from trimmer before storing.
7. Store trimmer in a cool, dry place. Do not store trimmer in direct sunlight or near a furnace.
8. Any other servicing should be performed by an authorized Toro Electric Service Dealer.

PRODUCT IDENTIFICATION

A model and serial number decal is located on the lower portion of the chrome tube. Always refer to specific numbers on this decal in correspondence or when replacement parts are needed.

TORO SERVICE SUPPORT

If help—concerning safety, set-up, operation, maintenance, or troubleshooting—is ever needed, contact the local Authorized Toro Electric Service Dealer or Distributor. Refer to the “Yellow Pages” for assistance. In addition to skilled service technicians, the dealer and distributor have factory approved accessories and replacement parts. Keep your Toro all TORO. Buy genuine TORO replacement parts and accessories.

The Toro Promise

Cordless Power Products

A One Year Full Residential Use Warranty

The Toro Company warrants this TORO product for one year against defects in material or workmanship. To receive a replacement or repair, at Toro's option, just return the complete unit, postage prepaid, to the seller or any TORO Electric Service Dealer or the TORO Service Center, 5300 Shoreline Blvd., Mound, MN 55364, along with proof of purchase. This warranty covers product defects only. **It does not cover incidental or consequential damages. Some states do not allow the exclusion or limitation of incidental or consequential damages, so the above limitation may not apply to you.** This warranty gives you specific rights, and you may have other rights which vary from state to state.