



MODEL NO. 59172

**INSTALLATION  
INSTRUCTIONS**
**MULCHING PLUG KIT**  
 FOR VACU-POWER MOWERS

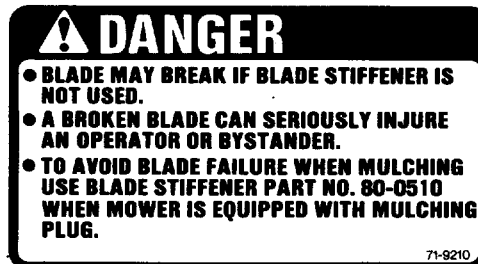
Since this instruction sheet covers only a minimal amount of information necessary to maintain and operate your machine, we suggest that you keep this material with your Operator's Manual so that both may be referred to for instructions concerning safe operation and proper maintenance procedures.

## MULCHING PLUG KIT CONTENTS

PART NO.	PART DESCRIPTION	QUANTITY
80-2770	Anti-scalp Cup	1
80-0510	Blade Stiffener	1
42-1000	Mulching Blade	1
71-9090	Mulching Plug	1
71-9210	Decal	1

## SAFETY DECALS AND INSTRUCTIONS

Safety decals and instructions are easily visible to the operator and are located near any area of potential danger. Replace any decal that is lost or damaged.



ON REAR OF MOWER DECK  
(Part No. 71-9210)

## INSTALLATION INSTRUCTIONS

### INSTALL BLADE, BLADE STIFFENER, AND ANTI-SCALP CUP

1. Turn engine off. Remove spark plug wire from spark plug.
2. Drain gasoline; refer to Draining Gasoline section in Operator's Manual.
3. Turn mower on side, with air cleaner up.
4. Remove blade assembly.

#### BBC Mowers:

- Remove blade nuts, washers, anti-scalp cup, and blade (P/N 62-7700).

#### Zone Start Mowers:

- Remove blade bolt, lockwasher, and blade (P/N 62-7700).
5. Save the old blade (P/N 62-7700) for use when bagging.
  6. Install new mulching blade (P/N 42-1000), blade stiffener, and anti-scalp cup on mower (Fig. 1). Secure with fasteners removed previously. Tighten blade nuts on BBC mowers to 25-33 ft-lbs. Tighten blade bolt on zone start mowers to 45-60 ft-lbs.

# INSTALLATION INSTRUCTIONS

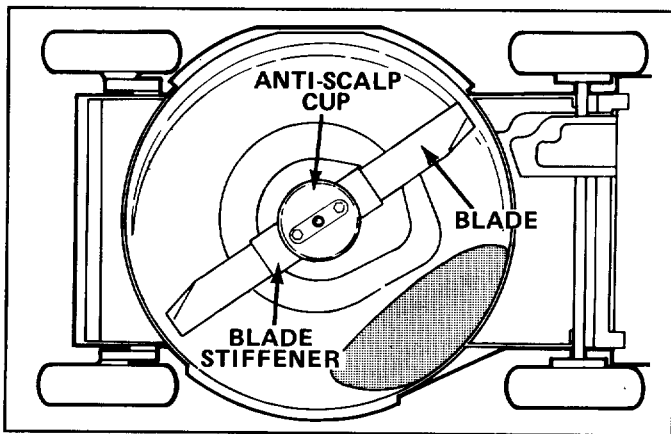


Figure 1

7. Using a rag or wearing gloves, rotate blade slowly by hand to a position where blade will not interfere with plug installation (Fig. 2).

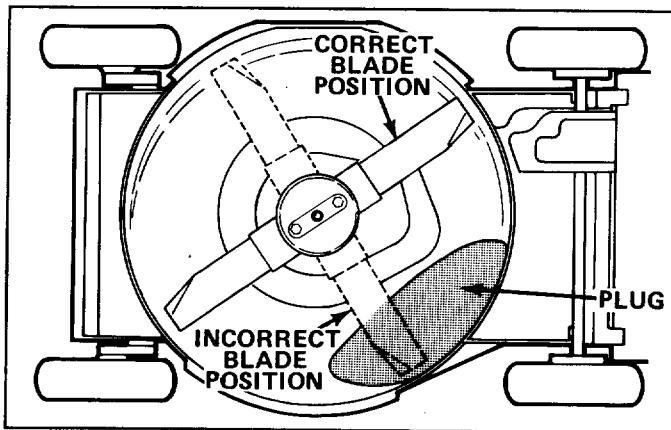


Figure 2

8. Turn mower upright.
9. Reconnect spark plug wire to spark plug.
10. Fill fuel tank with gasoline.
11. Start engine and check mower safety systems to ensure that blade stops in 3 seconds or less.

## INSTALL DECAL

1. Thoroughly clean rear shelf of mower deck with a soap and water solution. Rinse and dry the area.

**Note:** Deck must be dry before installing decal.

2. Remove paper backing from decal and apply decal to mower housing in location shown in Figure 3.

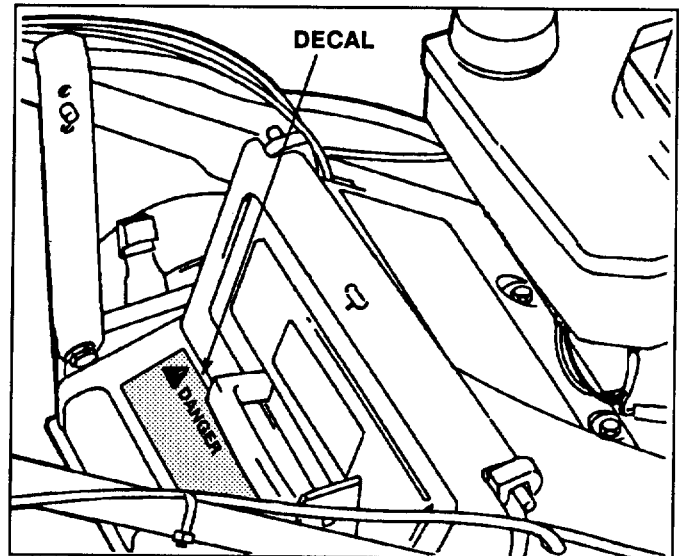


Figure 3

## INSTALL MULCHING PLUG

The plug (Fig. 4) is a removable part, just as the grass bag and optional side discharge chute are removable parts. You cannot use the plug in combination with either the grass bag or the side discharge chute. Use the plug only for mulching.

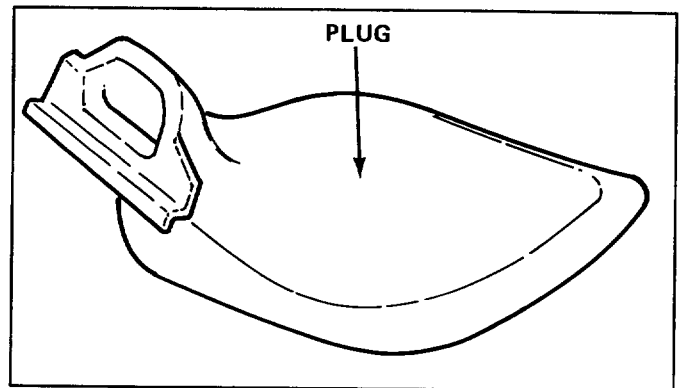


Figure 4

## WARNING

Never start or operate the mower unless one of the following is true:

1. The plug is securely in the discharge tunnel.
2. The bag is in place.
3. The optional side discharge chute is securely in place.
4. The discharge door is closed.

1. Make sure engine is off.

# INSTALLATION INSTRUCTIONS

2. Open discharge door and look down discharge tunnel to see if blade will interfere with plug installation. If blade is rotated near discharge tunnel opening, pull wire off spark plug and turn mower on side, with air cleaner up. Using a rag or wearing a glove, rotate blade slowly by hand to a position away from discharge tunnel opening (Fig. 2). Turn mower upright and reconnect spark plug.

3. Lift up the discharge door. Hold the discharge door handle to prevent the spring-loaded door from closing while inserting the plug.

4. Since the plug is slightly wider than the discharge tunnel opening, you must rotate the plug counterclockwise while inserting it (Fig. 5).

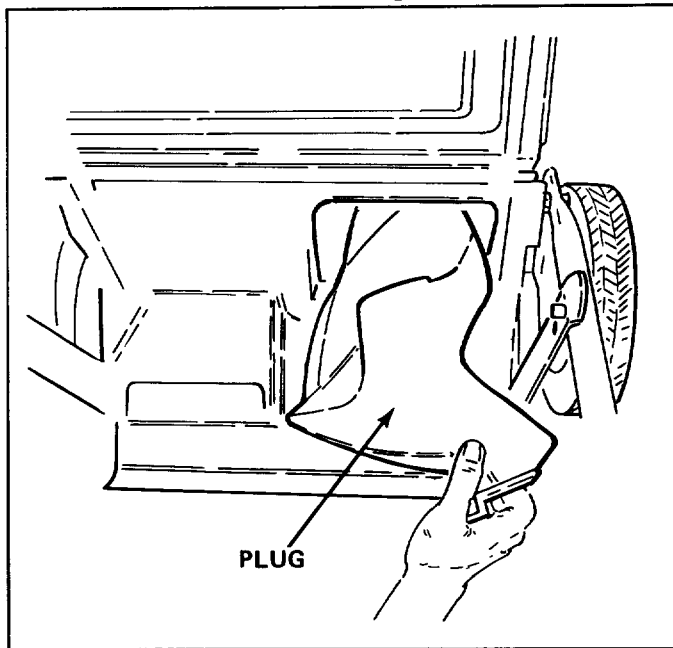


Figure 5

5. Push and rotate the plug all the way into the discharge tunnel until plug is firmly in place (Fig. 6). Slowly lower the discharge door until it closes completely over the plug.

Although the plug is used only for mulching, it is possible to mow without using the plug by closing the discharge tunnel door. However, your mulching will be more effective if you use the plug as it helps drive the clippings down into the grass.

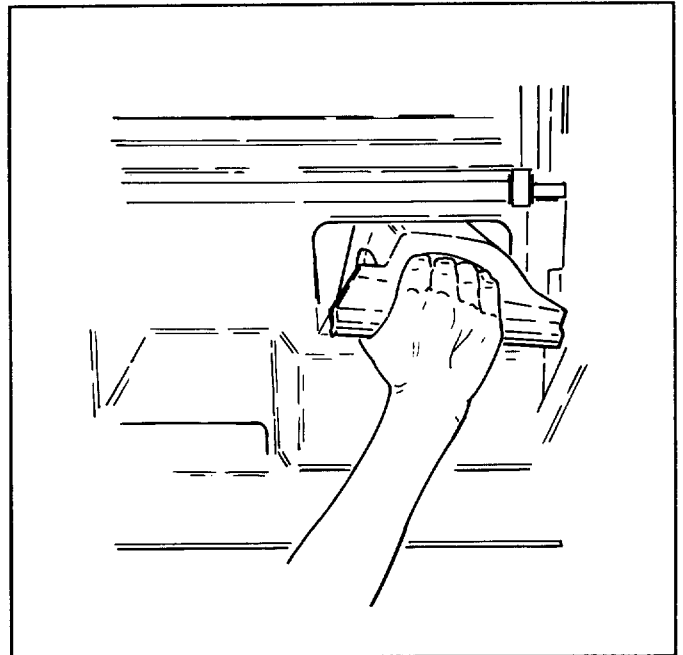


Figure 6

# OPERATING INSTRUCTIONS



## WARNING

Mow grass in dry conditions only. For safety reasons, never operate mower in wet grass. There is the possibility that you may slip on wet grass and that your foot might slide into the blade path.

## TIPS FOR MULCHING GRASS CLIPPINGS

Follow these instructions for the best mulching results and quality-of-cut:

- Maintain a **sharp blade** throughout the cutting season. Periodically file down nicks on blade.
- Clean any residue from the underside of mower immediately after mowing lawn. Before cleaning, remove spark plug wire from spark plug.

- When cutting grass over 6" tall, you may want to cut the lawn twice to hide clippings down in the grass.
- In the heat of the summer, it is best to cut grass at the 2-1/2 or 3 height-of-cut settings. Cut only about 1/3 of the grass blade. Cutting below the 2 setting is not recommended unless grass is sparse or it is late fall when grass growth begins to slow down. When cutting long grass, you may need to use a higher height-of-cut setting and a slower walking speed; then recut the grass at a more normal setting. If grass is too long and leaves clumps on top of lawn, mower may plug and cause engine to stall.

**NOTE:** When bagging, you can cut taller grass.

- Alternate mowing direction. This helps disperse clippings over lawn for even fertilization.

# OPERATING INSTRUCTIONS

If the mulched lawn appearance appears marginal, try one or more of the following:

- Sharpen the blade.
- Walk at a slower pace while mowing.
- Raise the height-of-cut setting on your mower.
- Cut your grass more frequently.
- Overlap cutting swaths instead of cutting a full swath with each pass.
- Mow across the area a second time.
- Use the grass bag or optional side discharge chute.

## TIPS FOR MULCHING LEAVES

You may mulch a light cover of leaves in the fall instead of bagging. The leaf particles will filter back down into the soil. When spring arrives, the leaf particles will have decomposed and returned valuable nutrients to the soil.

- Ensure leaves are dry.
- When mulching is complete, always be sure that more than 50% of the lawn shows through the mulched leaf cover. This may require one or more passes over the leaves or bagging the leaves to prevent grass disease.
- For light leaf coverage, mulch with all wheels at the same height-of-cut setting.
- If there is a heavy layer of leaves on the lawn, set the front wheels one or two notches higher than the rear wheels. This makes it easier to feed leaves under mower deck.
- Walk at a slower mowing speed if mulched leaves are not cut up finely enough to be hidden down in the grass.
- If you mulch a lot of oak leaves, you might want to add lime to your grass in the spring. Lime reduces the acidity of oak leaves.

## REMOVING MULCHING PLUG FOR BAGGING OR SIDE DISCHARGING

1. Turn engine off.

2. To remove the plug, lift up the discharge door. Grasp the plug by the handle. Rotate the plug clockwise while pulling it out of the discharge tunnel.

**Note:** When grass is thick and lush, clippings may collect on and around the mulching plug. This may make plug installation difficult. Clean the plug thoroughly after each use.

3. Install grass bag or side discharge chute.

**Note:** Bagging or side discharging performance should be adequate with the new mulching blade (P/N 42-1000). For best vacuuming performance when bagging, remove the mulching blade (P/N 42-1000) and reinstall the bagging blade (P/N 62-7700).

## CLEANING MULCHING PLUG, MOWER DECK, AND DISCHARGE TUNNEL

Shut engine off. Pull spark plug wire off spark plug. Wait for all moving parts to stop.

To ensure best performance, the mulching plug must be cleaned periodically. When grass is thick and lush, clippings may collect on and around the plug; this may make plug installation difficult. Remove plug from discharge tunnel and clean off all debris.

Keep underside of mower deck and inside of discharge tunnel area clean.

Always be sure that discharge tunnel door can be closed securely. If debris prevents discharge door from closing, turn engine off and clean discharge tunnel and door thoroughly.



### WARNING

Never start or operate the mower unless one of the following is true:

1. The plug is securely in the discharge tunnel.
2. The bag is in place.
3. The optional side discharge chute is securely in place.
4. The discharge door is closed.