



Count on it.

Parts Catalog

**E-Series OSMAC® Satellite
Controller**

Model No. E-SERIES OSMAC



Ordering Replacement Parts

To order replacement parts, please supply the part number, the quantity, and the description of each part desired.

Understanding Reference Numbers

Each identified part in an illustration has a reference number. The reference number for a part also appears in the parts list, along with other information about the part.

This catalog uses two special reference number formats, one to indicate parts in a service assembly and another to indicate the quantity of a given part in an illustration.

Service Assembly Reference Numbers

Parts in service assemblies have reference numbers in the form a:b. The a represents the reference number of the entire service assembly and the b represents a sequential number unique to each part within the service assembly.

For example, a wheel assembly might be identified by reference number 6, the tire by 6:1, the valve by 6:2, and the wheel by 6:3. When you order the assembly identified by reference number 6, you receive all parts identified by reference numbers 6:1, 6:2, and 6:3. However, you may also order any part individually. Reference numbers of this type appear in illustration and in parts lists.

Reference Numbers Indicating Quantity

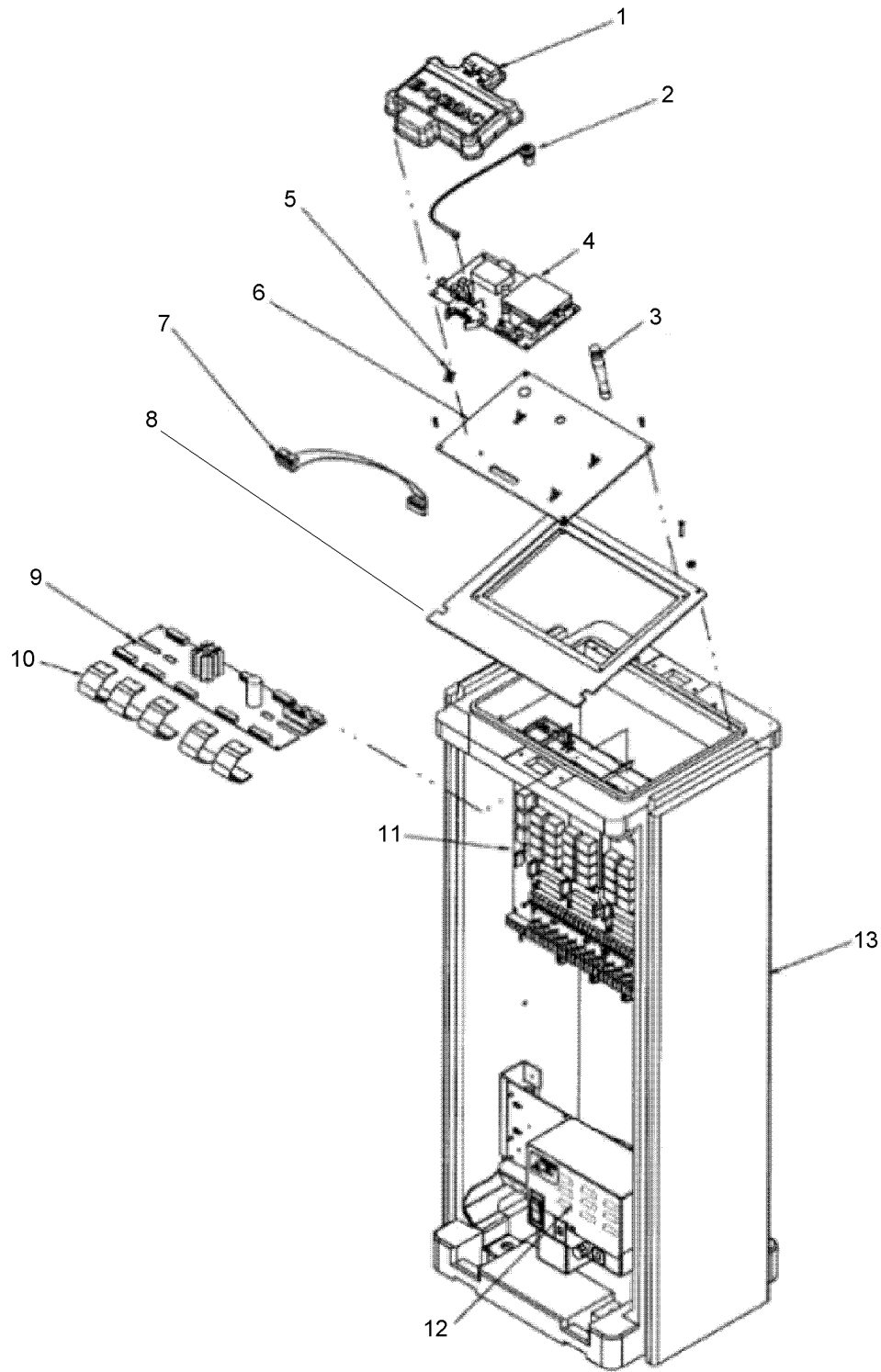
In an illustration, if a reference number indicates more than one part, the reference number has the form nX y. The n represents the quantity of the part, the X is the multiplication symbol, and the y represents the reference number.

For example, in an illustration, the reference number 2X 37 means that two of the parts identified by reference number 37 are indicated.

Contents

E-Series OSMAC Sat., Narrow, Plastic Cab. (1 Of 3).....	4
E-Series OSMAC Sat., Narrow, Metal Cab. (2 of 3)	6
E-Series OSMAC Sat., Narrow (3 Of 3)	8
E-Series OSMAC Sat., Wide, Plastic Cab. (1 of 3).....	10
E-Series OSMAC Sat., Wide Metal Cab. (2 of 3)	12
E-Series OSMAC Sat., Wide (3 of 3).....	14

E-Series OSMAC Sat., Narrow, Plastic Cab. (1 Of 3)



E-Series OSMAC Sat., Narrow, Plastic Cab. (1 Of 3) (continued)

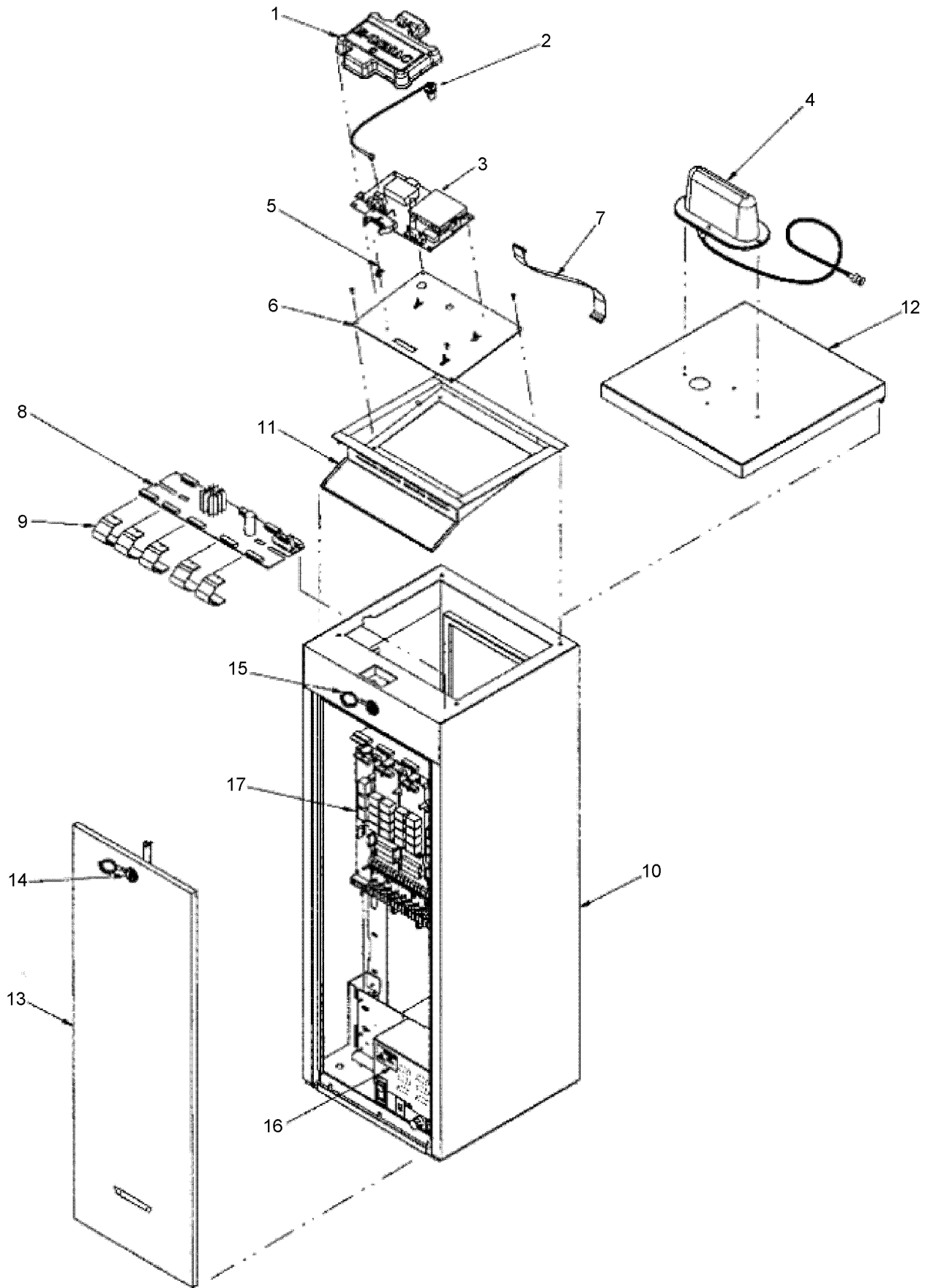
<i>Ref.</i>	<i>Part Number</i>	<i>Qty.</i>	<i>Description</i>	<i>Ref.</i>	<i>Part Number</i>	<i>Qty.</i>	<i>Description</i>
1	102-2624	1	Cover, Decoder Pcb	10	102-0670		Ribbon Cable, Distribution To Output, 4" Length ▲■
2	102-1204	1	Cable, Antenna, External, Narrow-Band Decoder	11			Field Interface Components (See Field Interface Components Section) ●
3	102-0655		Antenna, 450-475 Mhz, W/Bnc Connector ▲	12	102-0645	1	Power Supply Assy. (See Power Supply Assembly, Network Ltc Plus Sat. And E-Series Osmac Section)
4	102-1202	1	Narrow-Band Decoder Module For Plastic Cabinet ▲	13		1	Plastic Satellite Pedestal (See Plastic Satellite Pedestal Section For Details) ●
5	363-3946	4	Standoff, Plastic, Locking				
6	102-0661	1	Faceplate, Decoder Mounting				
7	102-0659	1	Ribbon Cable ▲				
8	102-0664	1	Mounting Plate, Tm				
9	102-0672	1	Output Distribution Module Assy. ▲				

● Not serviced separately

▲ Order Through Finished Goods Distribution System - Minneapolis

■ Quantity Varies With Model

E-Series OSMAC Sat., Narrow, Metal Cab. (2 of 3)



E-Series OSMAC Sat., Narrow, Metal Cab. (2 of 3) (continued)

Ref.	Part Number	Qty.	Description	Ref.	Part Number	Qty.	Description
1	102-0662	1	Cover, Decoder Module Assy.	14		2	Lock Assy., Door (See Service Item 102-0714) ▲
2	102-0574	1	Antenna, Cable, External, Narrow-Band	15		1	Lock Assy., Pedestal Base (See Service Item 102-0705) ▲
3	102-1203	1	Narrow-Band Decoder Module For Metal Cabinet □	16	102-0645	1	Power Supply Assy.
4	102-0663	1	Uhf Dome Style Antenna Assy., 450-475 Mhz, Service, W/Cable	17			Field Interface Components (See E-Series Osmac Satellite, Narrow-Band, Field Interface Components) ▲
5	363-3946	4	Standoff, Plastic, Locking				
6	102-0661	1	Faceplate, Decoder Mounting		102-0684	1	Mount, Timing Mechanism, Sst (Includes Item 11) ●■
7	102-0659	1	Ribbon Cable		102-0714	1	Lock Kit, Door, Service (Includes Item 14) ●■
8	102-0672	1	Output Distribution Module Assy. □		102-0705	1	Lock Kit, Cover, Service (Includes Item 15) ●■
9	102-0670		Ribbon Cable, Distribution To Output, 4" Length ◆		102-0702	1	Base, Pedestal Green, Sst W/Lock Assy, Svc. (Includes Items 10 & 15) ●■
10		1	Base, Pedestal, Sst W/Lock Assy. (See Service Item 102-0702) ▲		102-0696	1	Pedestal Assy., Service (Includes Items 10-15) ●■
11		1	Mounting Plate, Tm (See Service Item 102-0684) ▲		102-0703	1	Cover, Pedestal Green, Sst (Includes Item 12) ●■
12		1	Lid Assy., Pedestal, Sst (See Service Item 102-0703) ▲		102-0704	1	Door, Pedestal, Green, Sst, Service (Includes Item 14) ●■
13		2	Door, Pedestal, Sst, W/Lock Assy. (See Service Item 102-0704) ▲				

● SERVICE ITEMS

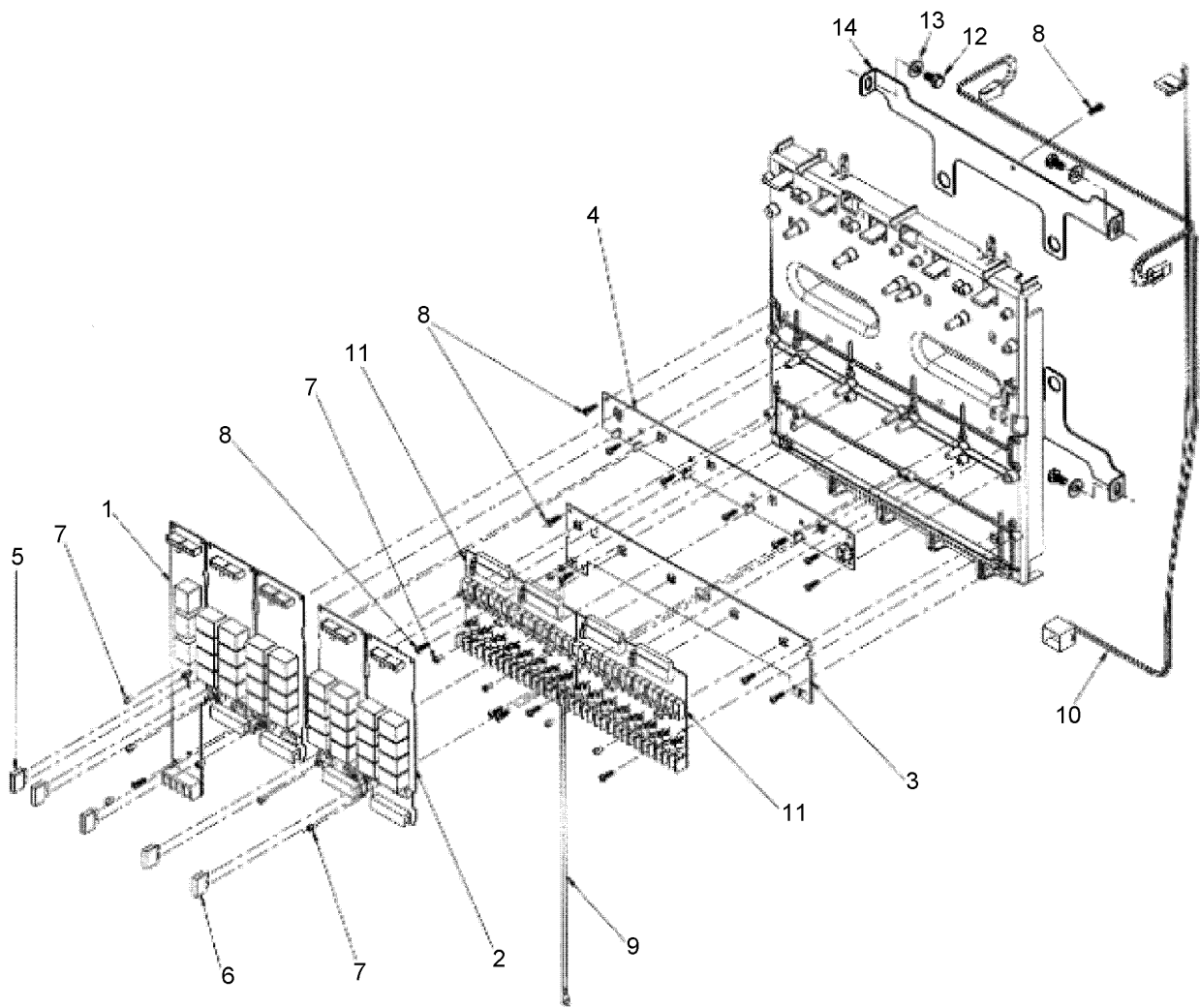
▲ Not serviced separately

□ Order Through Finished Goods Distribution System - Minneapolis

■ Not illustrated

◆ Quantity Varies With Model

E-Series OSMAC Sat., Narrow (3 Of 3)



E-Series OSMAC Sat., Narrow (3 Of 3) (continued)

<i>Ref.</i>	<i>Part Number</i>	<i>Qty.</i>	<i>Description</i>	<i>Ref.</i>	<i>Part Number</i>	<i>Qty.</i>	<i>Description</i>
1	102-0669	1	Pump/Common Module Assy. (Includes Items 5, 7, And 102-0670 Ribbon Cable) ♦	N/I	102-0638		8-Station Terminal Block (M0 Surge Level) ♦▲●
2	102-0654		Output Module Assy., 8-Station (Includes Items 6, 7, And 102-0670 Ribbon Cable) ♦▲	11	102-0639		16-Station Module Assy. (M1 Surge Upgrade) (Includes Items 7 & 8) ♦▲
3	102-0652	1	Ground Bus Bar Pcb Assy., Service (Includes Item 8)	11	102-0640		16-Station Module Assy. (M2 Surge Upgrade) (Includes Items 7 & 8) ♦▲
4	102-0653	1	24 V A.C. Bus Bar Pcb Assy., Service (Includes Item 8)	11	102-0641		16-Station Module Assy. (M3 Surge Upgrade) (Includes Items 7 & 8) ♦▲
5	102-0658	1	Fuse, 1.0 Amp, Fast-Blow, Service (5-Pack)	11	102-0642		16-Station Module Assy. (M4 Surge Upgrade) (Includes Items 7 & 8) ♦▲
6	102-0657	4	Fuse, 3.0 Amp, Fast-Blow, Service (5-Pack)				
7	102-0671	11	Screw, Machine, 6-32 X 1/4"	12	360-0595	4	Screw, Machine, 1/4-20 X 1/2"
8	363-1355	20	Screw, Tap, #6	13	360-0140	4	Washer-Flat
9	102-0685	1	Wire Harness Assy., Grounding	14		2	Bracket, Mount Backplate ■
10	102-0686	1	Wire Harness Assy., Power Supply				

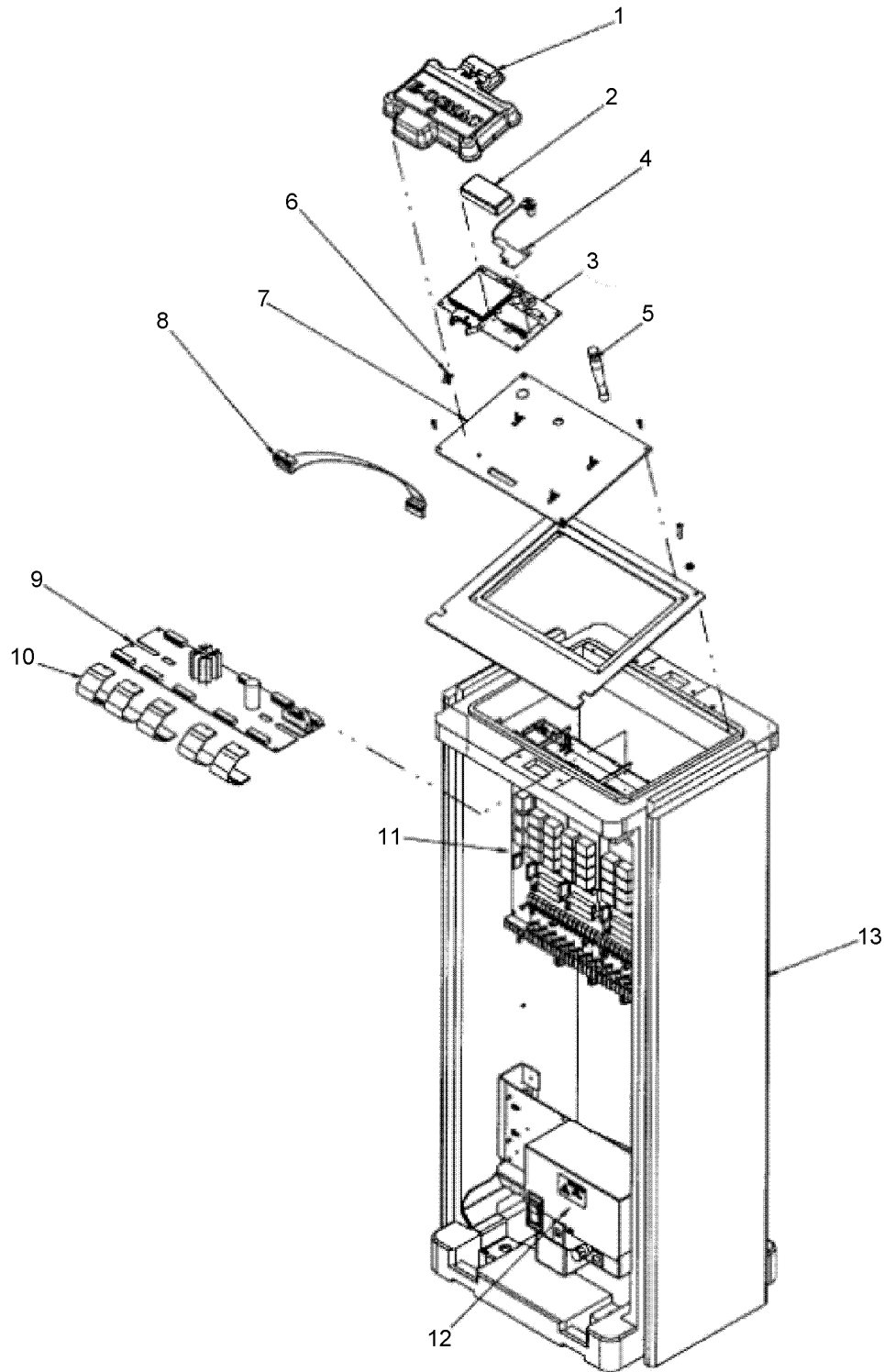
● Not illustrated

▲ Quantity Varies With Model

♦ Order Through Finished Goods Distribution System - Minneapolis

■ Not serviced separately

E-Series OSMAC Sat., Wide, Plastic Cab. (1 of 3)



E-Series OSMAC Sat., Wide, Plastic Cab. (1 of 3) (continued)

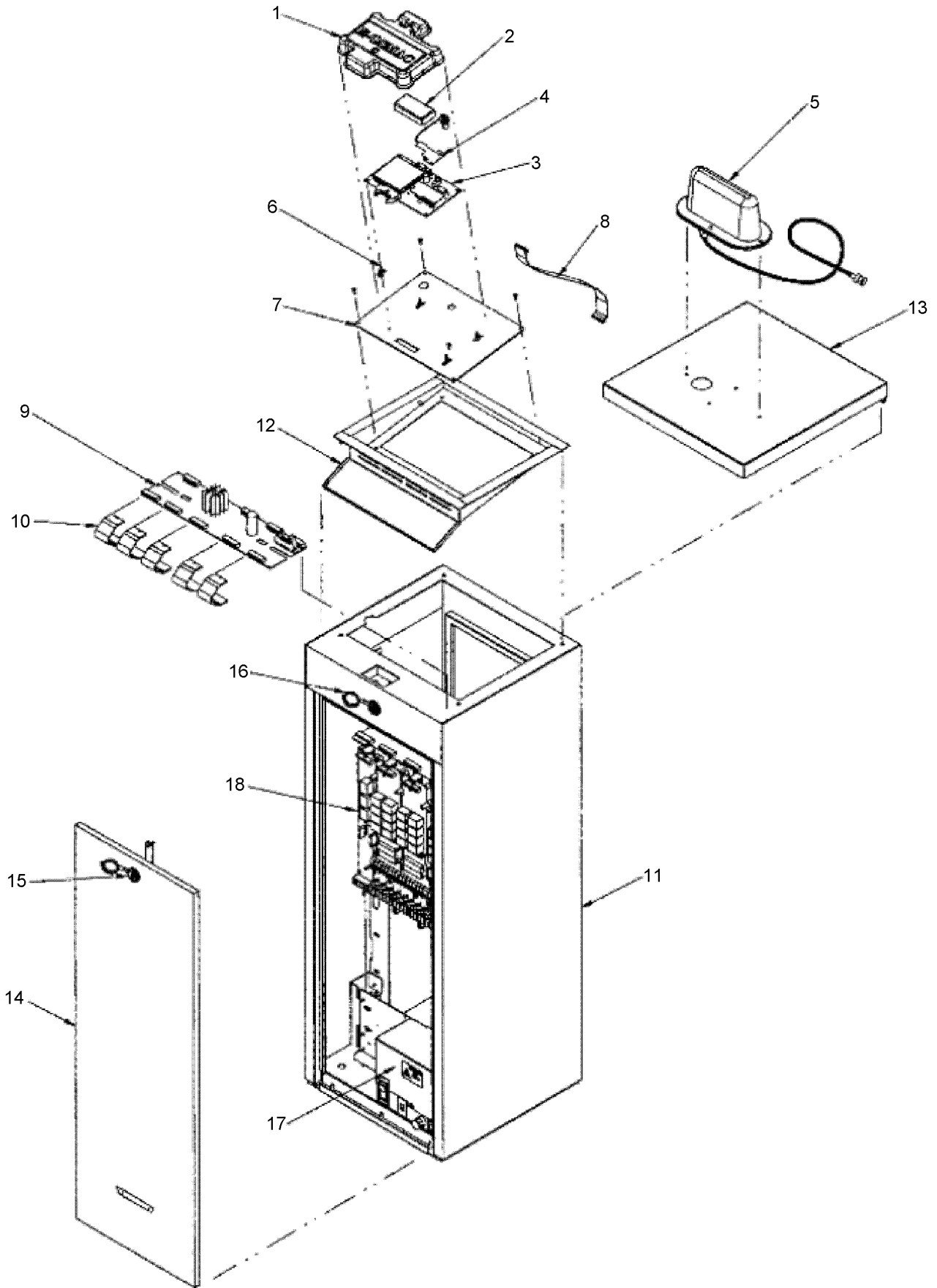
<i>Ref.</i>	<i>Part Number</i>	<i>Qty.</i>	<i>Description</i>	<i>Ref.</i>	<i>Part Number</i>	<i>Qty.</i>	<i>Description</i>
1	102-2624	1	Cover, Decoder Pcb	9	102-0672	1	Output Distribution Module Assy. ▲
2	N1551	1	Receiver Module ▲	10	102-0670		Ribbon Cable, Distribution To Output, 4" Length ▲■
3	102-0660	1	Receiver/Decoder Module Assy., Service (Includes Item 6) ▲	11			Field Interface Components (See Field Interface Components Section) ●
4	102-0656	1	Antenna Pcb Assy. (Optional) ▲	12	102-0645	1	Power Supply Assy.
5	102-0655	1	Antenna, 450-475 Mhz, W/Bnc Connector (Optional) ▲	13		1	Satellite Plastic Pedestal & Components (See Plastic Satellite Pedestal Section) ●
6	363-3946	4	Standoff, Plastic, Locking				
7	102-0661	1	Faceplate, Decoder Mounting				
8	102-0659	1	Ribbon Cable (Output Distribution Module To Decoder Module) ▲				

● Not serviced separately

▲ Order Through Finished Goods Distribution System - Minneapolis

■ Quantity Varies With Model

E-Series OSMAC Sat., Wide Metal Cab. (2 of 3)



E-Series OSMAC Sat., Wide Metal Cab. (2 of 3) (continued)

<i>Ref.</i>	<i>Part Number</i>	<i>Qty.</i>	<i>Description</i>	<i>Ref.</i>	<i>Part Number</i>	<i>Qty.</i>	<i>Description</i>
1	102-2624	1	Cover, Decoder Module Assy., Service	12	102-0684	1	Mounting Plate, Tm, Service ●
2	N1551	1	Receiver Module □	13	102-0703	1	Lid Assy., Pedestal, Sst, Service ●
3	102-0660	1	Receiver/Decoder Module Assy., Service (Includes Item 6) □	14	102-0704	2	Door, Pedestal, Green, Sst, W/ Lock Assy., Service (Includes Item 15) ●
4	102-0656	1	Antenna Pcb Assy. □	15	102-0714	2	Lock Assy., Door, W/Keys & Cover, Service ●
5	102-0663	1	Uhf Dome Style Antenna Assy., 450-475 Mhz, Service, W/Cable	16	102-0705	1	Lock Assy., Pedestal Base, W/Keys & Cover, Service ●
6	363-3946	4	Standoff, Plastic, Locking	17	102-0645	1	Power Supply Assy.
7	102-0661	1	Faceplate, Decoder Mounting	18			Field Interface Components (See Field Interface Components Section) ▲
8	102-0659	1	Ribbon Cable (Decoder Module To Distribution Module) □		102-0696		Pedestal Assy., Service (Includes Items 11-16) ■
9	102-0672	1	Distribution Board, Output, Parallel □				
10	102-0670		Ribbon Cable (Distribution Board To Output Module) □ ◆				
11	102-0702	1	Base, Pedestal Green, Sst W/Lock Assy, Service (Includes Item 16) ●				

● SERVICE ITEMS

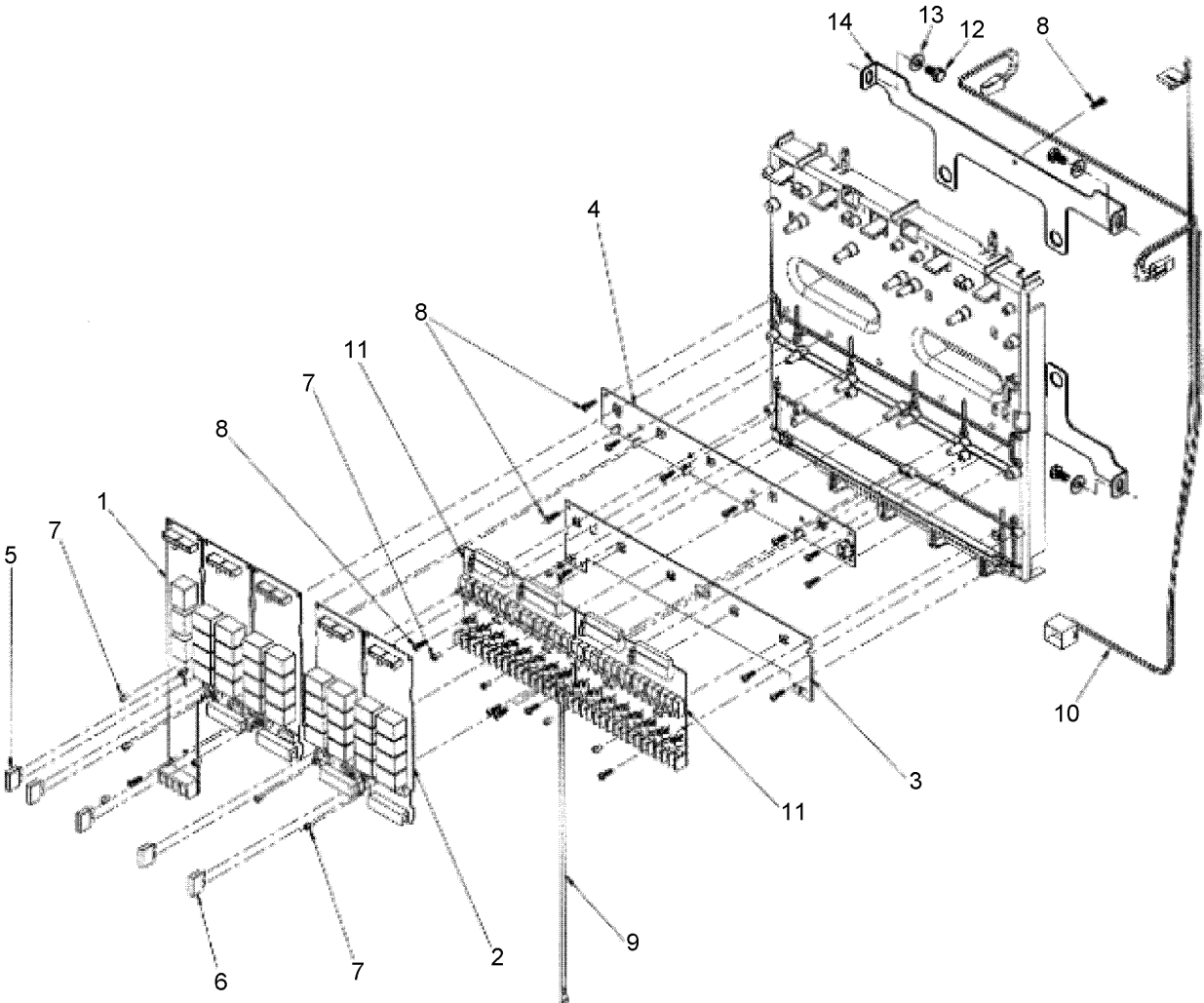
▲ Not serviced separately

□ Order Through Finished Goods Distribution System - Minneapolis

■ Not illustrated

◆ Quantity Varies With Model

E-Series OSMAC Sat., Wide (3 of 3)



E-Series OSMAC Sat., Wide (3 of 3) (continued)

<i>Ref.</i>	<i>Part Number</i>	<i>Qty.</i>	<i>Description</i>	<i>Ref.</i>	<i>Part Number</i>	<i>Qty.</i>	<i>Description</i>
1	102-0669	1	Pump/Common Module Assy. (Includes Items 5, 7, And 102-0670 Ribbon Cable) ♦	N/I	102-0638		8-Station Terminal Block (M0 Surge Level) ♦▲●
2	102-0654		Output Module Assy., 8-Station (Includes Items 6, 7, And 102-0670 Ribbon Cable) ♦▲	11	102-0639		16-Station Module Assy. (M1 Surge Upgrade) (Includes Items 7 & 8) ♦▲
3	102-0652	1	Ground Bus Bar Pcb Assy., Service (Includes Item 8)	11	102-0640		16-Station Module Assy. (M2 Surge Upgrade) (Includes Items 7 & 8) ♦▲
4	102-0653	1	24 V A.C. Bus Bar Pcb Assy., Service (Includes Item 8)	11	102-0641		16-Station Module Assy. (M3 Surge Upgrade) (Includes Items 7 & 8) ♦▲
5	102-0658	1	Fuse, 1.0 Amp, Fast-Blow, Service (5-Pack)	11	102-0642		16-Station Module Assy. (M4 Surge Upgrade) (Includes Items 7 & 8) ♦▲
6	102-0657	4	Fuse, 3.0 Amp, Fast-Blow, Service (5-Pack)				
7	102-0671	11	Screw, Machine, 6-32 X 1/4"	12	360-0595	4	Screw, Machine, 1/4-20 X 1/2"
8	363-1355	20	Screw, Tap, #6	13	360-0140	4	Washer-Flat
9	102-0685	1	Wire Harness Assy., Grounding	14		2	Bracket, Mount Backplate ■●
10	102-0686	1	Wire Harness Assy., Power Supply				

● Not illustrated

▲ Quantity Varies With Model

♦ Order Through Finished Goods Distribution System - Minneapolis

■ Not serviced separately



Count on it.