



Count on it.

Parts Catalog

GrandStand® Mower

With 48in TURBO FORCE® Cutting Unit

Model No. 74538—Serial No. 312000001 and Up



Ordering Replacement Parts

To order replacement parts, please supply the part number, the quantity, and the description of each part desired.

Understanding Reference Numbers

Each identified part in an illustration has a reference number. The reference number for a part also appears in the parts list, along with other information about the part.

This catalog uses two special reference number formats, one to indicate parts in a service assembly and another to indicate the quantity of a given part in an illustration.

Service Assembly Reference Numbers

Parts in service assemblies have reference numbers in the form a:b. The a represents the reference number of the entire service assembly and the b represents a sequential number unique to each part within the service assembly.

For example, a wheel assembly might be identified by reference number 6, the tire by 6:1, the valve by 6:2, and the wheel by 6:3. When you order the assembly identified by reference number 6, you receive all parts identified by reference numbers 6:1, 6:2, and 6:3. However, you may also order any part individually. Reference numbers of this type appear in illustration and in parts lists.

Reference Numbers Indicating Quantity

In an illustration, if a reference number indicates more than one part, the reference number has the form nX y. The n represents the quantity of the part, the X is the multiplication symbol, and the y represents the reference number.

For example, in an illustration, the reference number 2X 37 means that two of the parts identified by reference number 37 are indicated.

List of Abbreviations

AR: as required

ASM: assembly

BBC: blade brake control

BHTF: button head thread forming

CARR: carriage

CCW: counter clockwise

CW: clockwise

DEG: degrees

DPA: Dual Point Adjustment

ECM: electronic control module

EXT: external

FH: flat head

GA: gauge

HD: heavy-duty

HF: hex flange

HH: hex head

HHF: hex head flange

HHFTF: hex head flange thread forming

HJ: hex jam

HLH: hex lag head

HOC: height-of-cut

HSBH: hex socket button head

HSFH: hex socket flat head

HSH: hex socket head

HWH: hex washer head

HWHTF: hex washer head thread forming

HYD: hydraulic

LH: left hand

LP: Liquefied Petroleum Gas

LPG: Liquefied Petroleum Gas

NI: nylon insert

NPTF: national pipe thread fine

PFH: phillips flat head

PPH: phillips pan head

PPHTF: phillips pan head thread forming

PRH: phillips round head

PTH: phillips truss head

PTO: power-take-off

RH: right hand

ROPS: roll-over protection system

RRB: rear roller brush

SFH: slotted fillister head

SHH: slotted hex head

SHWH: slotted hex washer head

SPH: slotted pan head

SQH: square head

SRH: slotted round head

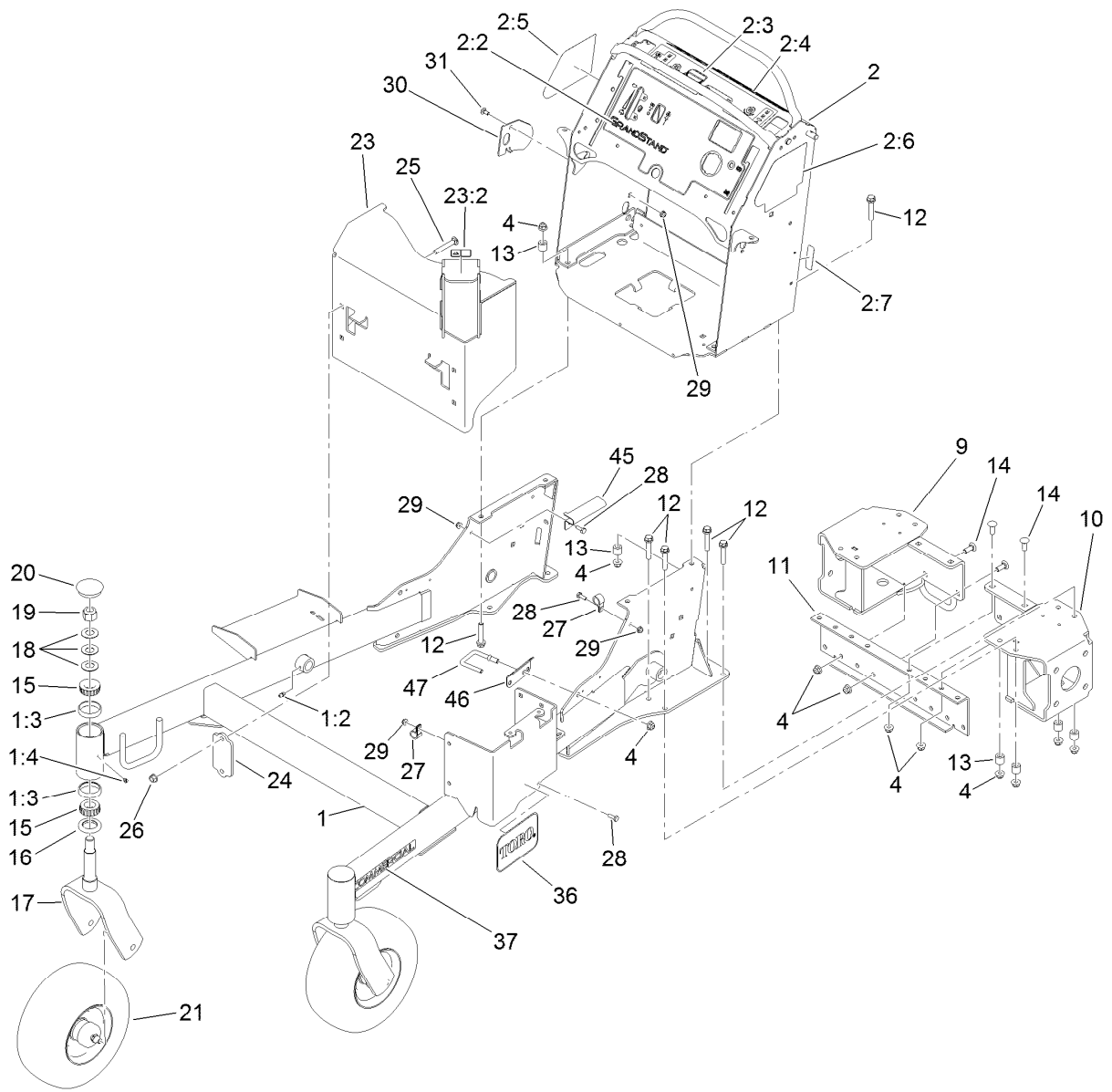
STD: standard

TAP: self tapping

TTH: torx truss head

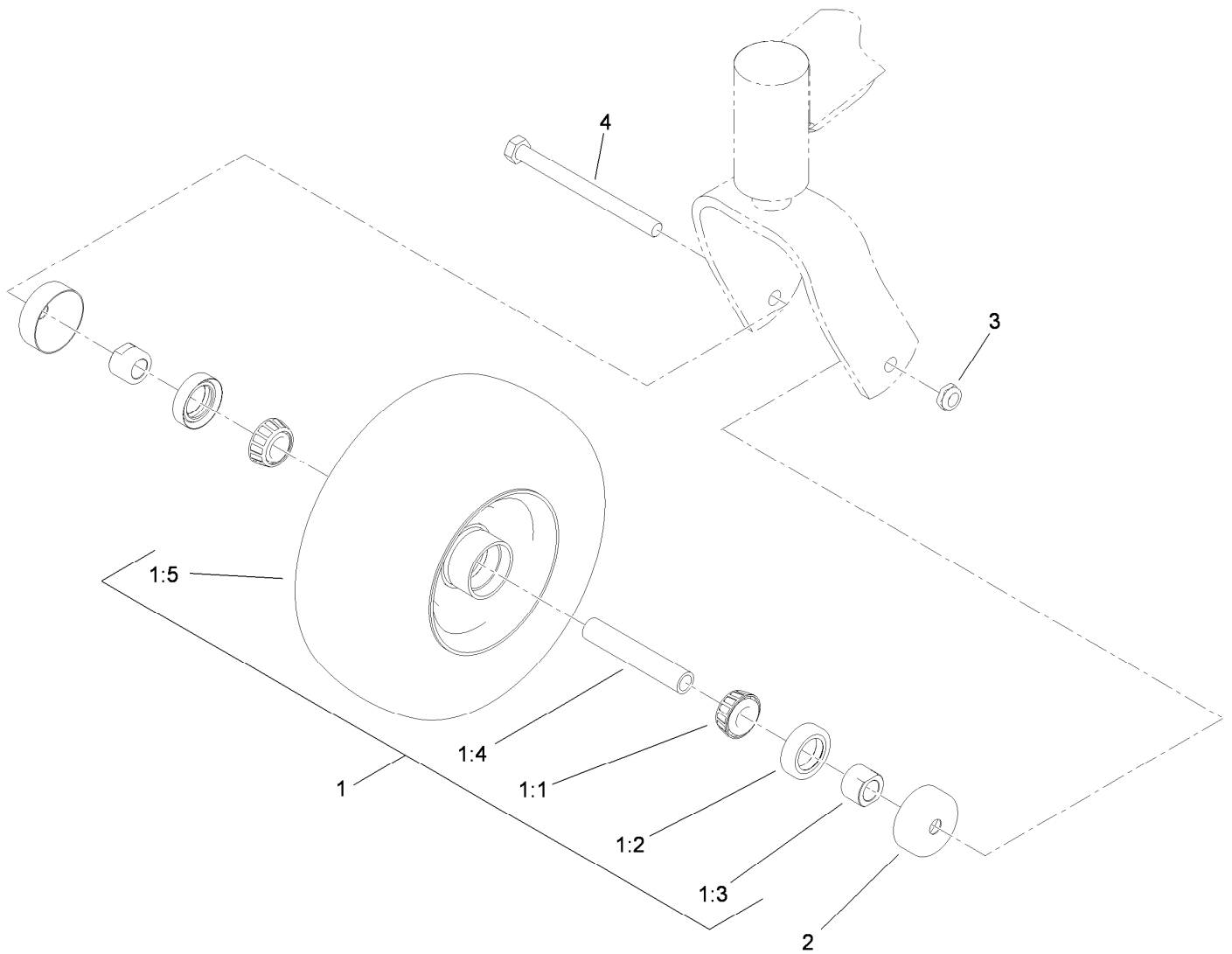
Contents

Frame Assembly.....	4
Wheel and Bearing Assembly No. 112-3810.....	5
Parking Brake Assembly.....	6
Decklift Assembly.....	7
Platform Assembly.....	9
Cushion Assembly No. 119-8742.....	10
Platform Assembly No. 117-9640.....	11
Ground Drive Assembly.....	12
Hydraulic Motor Assembly No. 114-0549.....	13
Pump Idler Assembly.....	14
Hydraulic System Assembly.....	15
Hydraulic Pump Assembly No. 119-7375.....	16
Control Assembly.....	17
Engine Assembly.....	18
Fuel Tank Assembly.....	19
Vent Hose Assembly.....	20
Electrical Assembly.....	21
Deck Assembly.....	23
Deck Decal Assembly No. 120-6401.....	24
Idler Arm Assembly No. 120-6410.....	25
Idler Adjust Assembly No. 117-0446.....	26
Spindle Assembly No. 119-8560.....	27
Deflector Assembly No. 121-5960.....	28
Attachments and Accessories.....	29



Frame Assembly

Ref.	Part Number	Qty.	Description	Ref.	Part Number	Qty.	Description
1	119-8700	1	Front Frame ASM	18	1-633508	6	Washer-Bellville
1:2	302-5	4	Fitting-Grease	19	3296-51	2	Nut-Lock, NI
1:3	1-543508	4	Cup-Bearing	20	103-4882	2	Cap-Grease
1:4	1-811010	2	Plug	21	112-3810	2	Wheel/Tire And Bearing ASM
2	120-6460	1	Control Tower ASM	23	119-0230	1	Muffer Guard ASM
2:2	120-6464	1	Decal-Panel, Control	23:2	106-5517	1	Decal-Warning, Hot Surface
2:3	119-8727	1	Decal-OpC	24	119-7303-01	2	Bracket-Mounting, Guard
2:4	117-3626	1	Decal-Warning	25	3231-31	4	Screw-CARR
2:5	117-0456	1	Decal-HOC	26	32128-21	4	Nut-HF
2:6	121-5972	1	Decal-Service/Spark Arrest	27	2412-87	2	Clamp-Cable
2:7	116-3267	1	Decal-Fuse	28	321-4	3	Screw-HH
4	104-8301	22	Nut-Flange, NI	29	104-7201	4	Nut-HF
9	119-7222-01	1	Mount-Motor, RH	30	119-7312	1	Plate-Striker
10	119-7220-01	1	Mount-Motor, LH	31	3229-11	1	Screw-CARR
11	119-7224-01	1	Mount-Motor, Center	36	68-3640	1	Decal
12	108-3742	12	Screw-HHF	37	117-3591	2	Decal-Commercial
13	121-1760	12	Spacer	45	116-5067	1	Bracket-Hose, Fuel (Double)
14	3231-22	8	Screw-CARR	46	121-6003	2	Guard-Hose
15	1-543509	4	Bearing-Roller, Tapered	47	121-6004	2	Guide-Hose
16	1-543511	2	Seal-Grease				
17	103-8618-01	2	Fork-Caster				

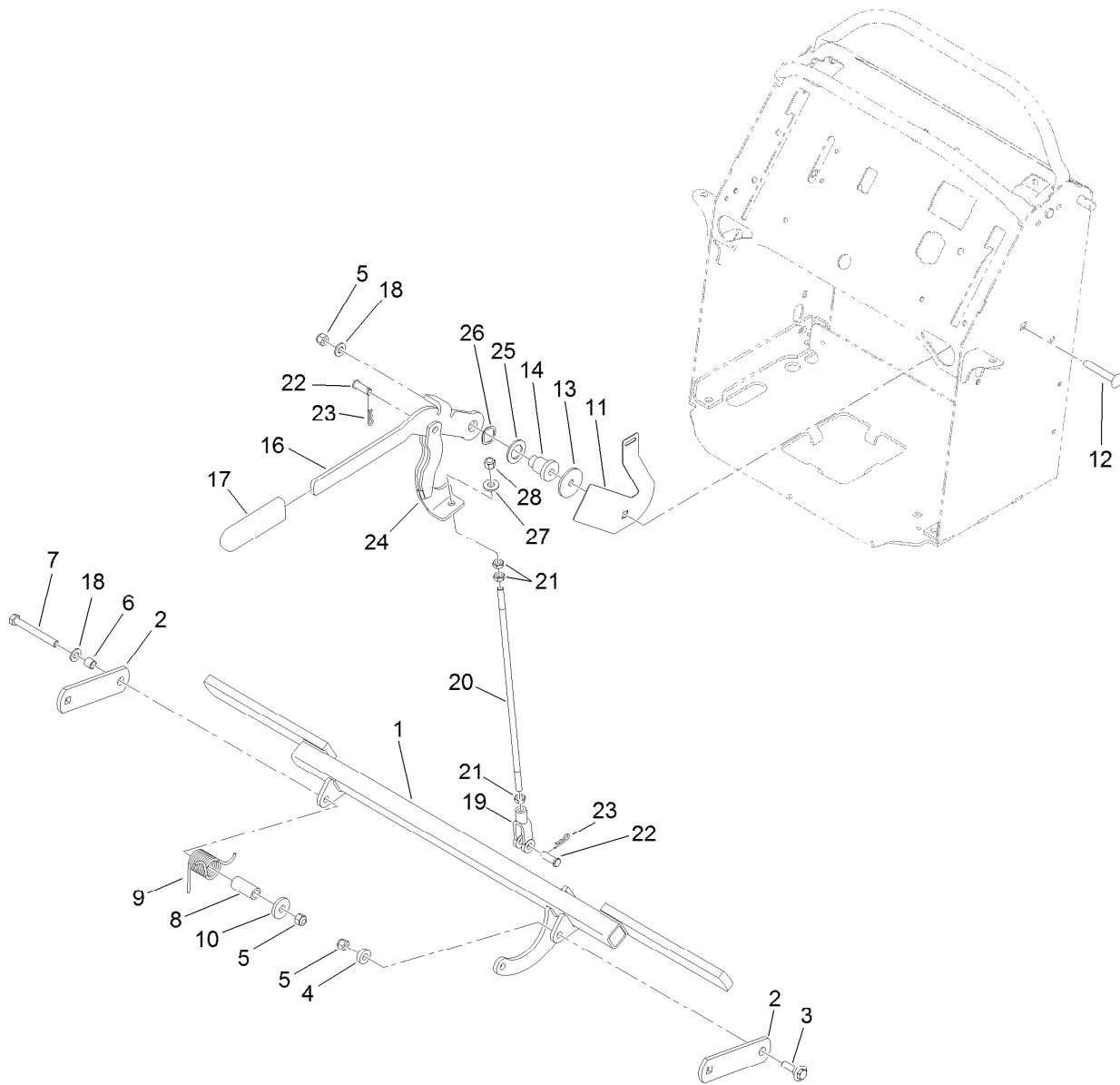


Wheel and Bearing Assembly No. 112-3810

Ref.	Part Number	Qty.	Description
1		1	Wheel And Bearing ASM ●
1:1	1-633585	2	Bearing-Cone, Taper
1:2	103-0063	2	Seal-Caster
1:3	103-3051	2	Spacer-Nut ■
1:4	103-3157	1	Axle-Caster
1:5	110-9965	1	Wheel And Tire ASM
2	103-2768	2	Guard-Seal
3	3296-45	1	Nut-Lock, NI
4	325-20	1	Screw-HH

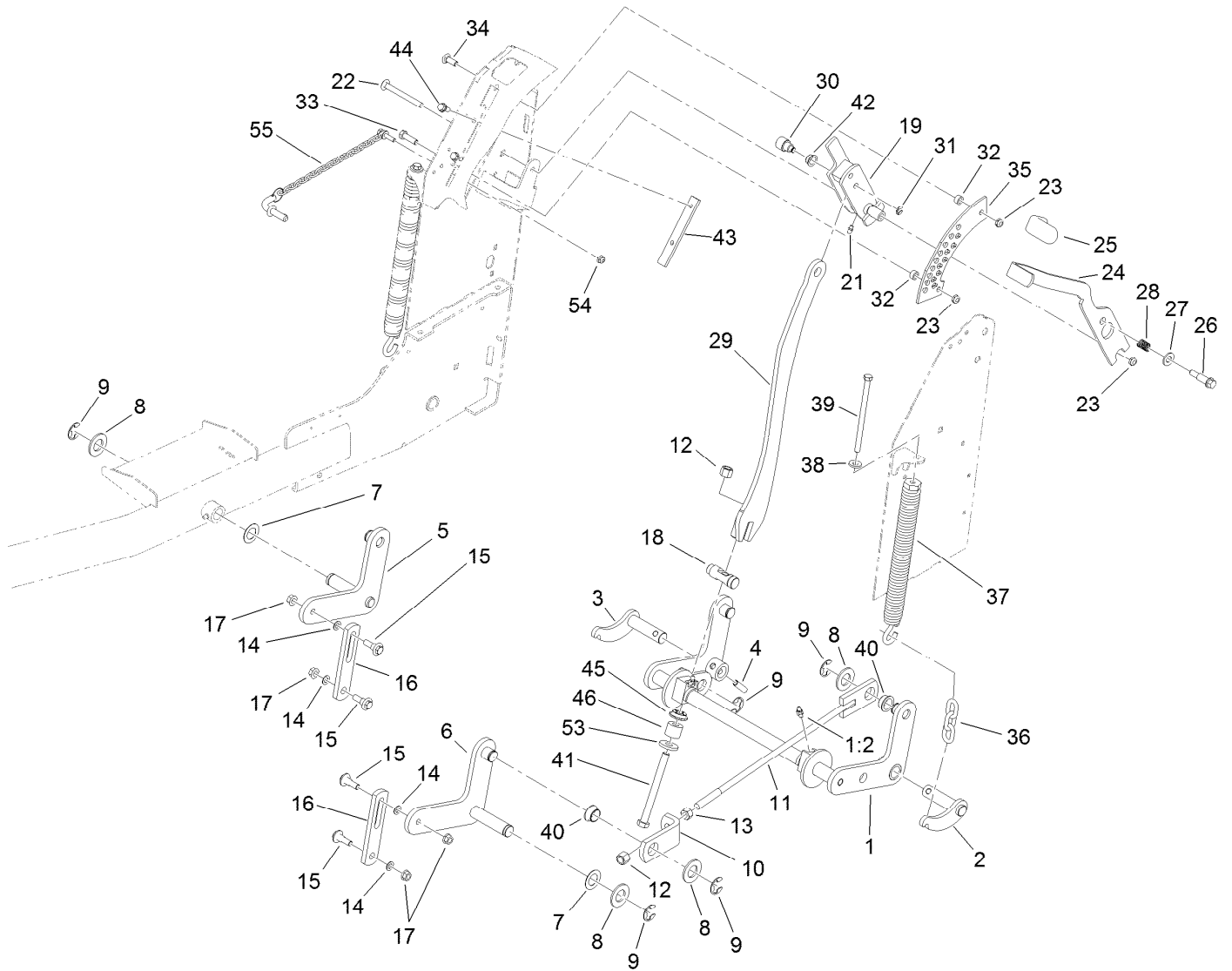
● Not serviced separately

■ Use Pro-Lock, Nut Type (P/N 1-840022, .5ml tube) on spacer nut



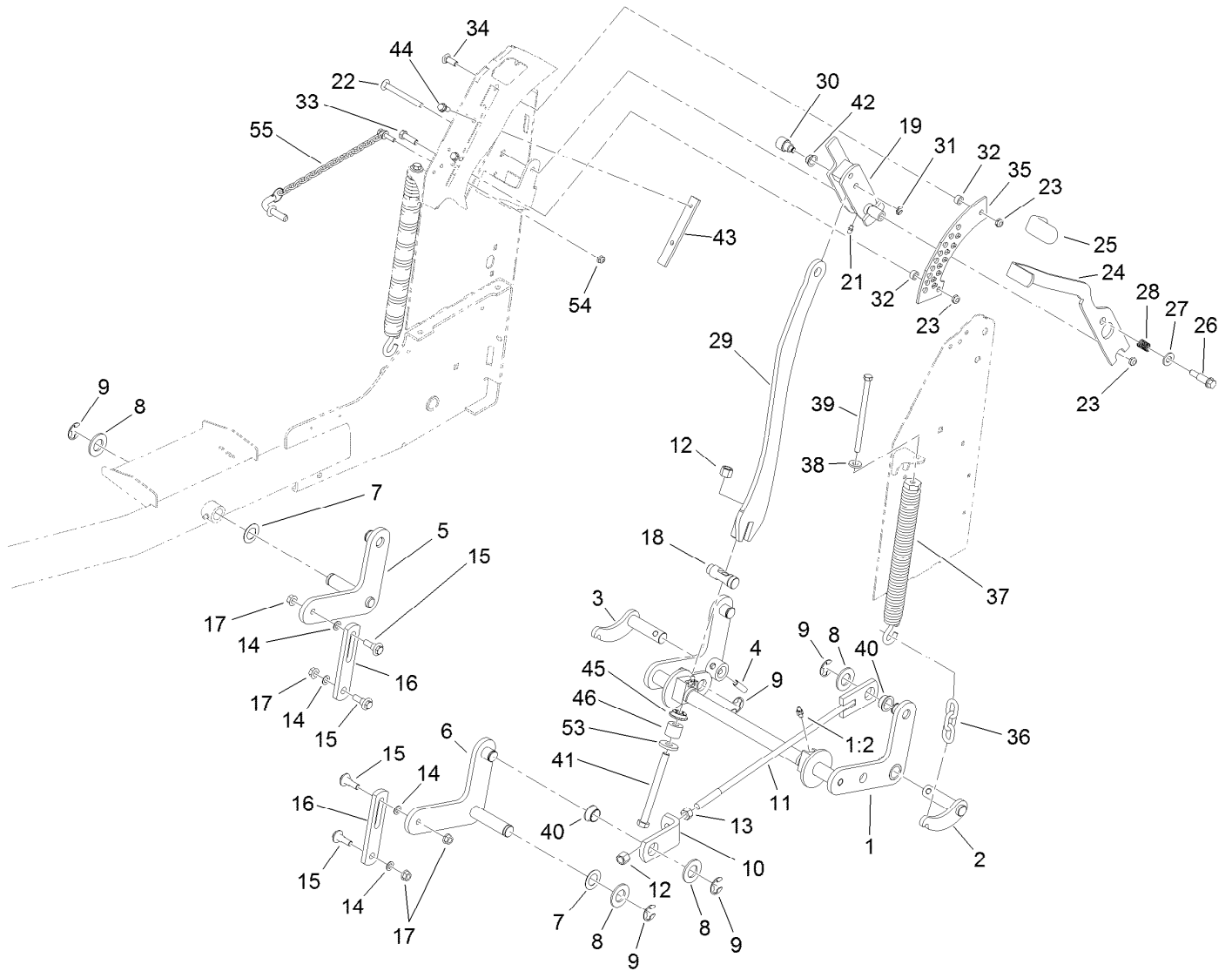
Parking Brake Assembly

<i>Ref.</i>	<i>Part Number</i>	<i>Qty.</i>	<i>Description</i>	<i>Ref.</i>	<i>Part Number</i>	<i>Qty.</i>	<i>Description</i>
1	119-8730-03	1	Bar-Brake	16	117-5759-03	1	Lever-Brake
2	114-5186-01	2	Support-Brake	17	1-633268	1	Grip-Lever
3	614672	1	Bolt-Shoulder	18	3256-24	2	Washer-Flat
4	5-0652	1	Spacer	19	1-633131	1	Yoke-Linkage, Brake
5	104-8301	3	Nut-Flange, NI	20	119-7244	1	Rod-Brake
6	117-9684	1	Spacer	21	3220-3	3	Nut-HJ
7	323-20	1	Screw-HH	22	283-2	2	Pin-Clevis
8	117-9683	1	Spacer	23	3290-307	2	Pin-Hair
9	117-9682	1	Spring-Torsion	24	119-8780-03	1	Arm-Brake
10	1-373034	1	Washer	25	1-303007	1	Washer
11	117-0452-03	1	Plate-Switch, Brake	26	106-5335	1	Washer-Wave
12	3231-44	1	Screw-CARR	27	98-5975	1	Washer-Belleville
13	63-7400	1	Washer-Rebound	28	3296-6	1	Nut-Lock
14	106-3214	1	Mount-Pulley				



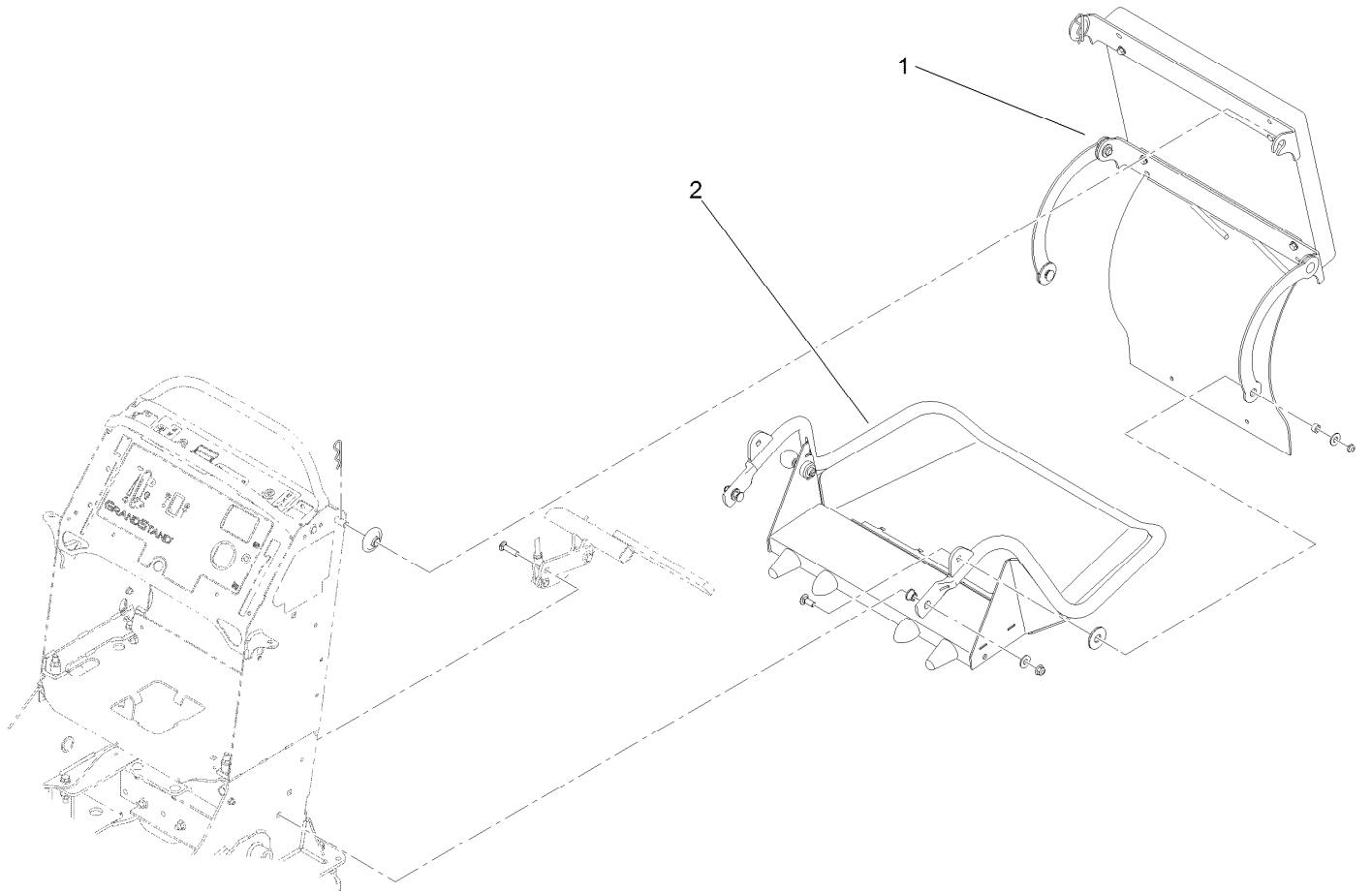
Decklift Assembly

Ref.	Part Number	Qty.	Description	Ref.	Part Number	Qty.	Description
1	116-3103	1	Rear Crossshaft ASM	22	3231-24	1	Screw-CARR
1:2	302-11	2	Fitting-Lube, 45 DEG	23	3296-59	3	Nut-Lock, NI
2	116-3104-01	1	Shaft-Pivot, LH	24	114-1878-03	1	Lever-HOC
3	116-3105-01	1	Shaft-Pivot, RH	25	1-633268	1	Grip-Lever
4	116-3107	2	Pin-Spiral	26	66-0561	1	Screw-Shoulder
5	117-0489-01	1	RH Lift ASM	27	3256-26	1	Washer-Flat
6	117-0488-01	1	LH Lift ASM	28	65-9940	1	Spring
7	110-6767	2	Washer-Thrust	29	116-2939	1	Bar-Lift
8	3256-29	6	Washer-Flat	30	116-3048	1	Hub-Pivot
9	32151-103	7	Ring-Retaining, EXT	31	32151-47	1	Ring-Retaining
10	116-2901	2	Bracket-Lift Rod	32	111044	2	Spacer
11	116-2902	2	Lift Rod ASM	33	323-7	1	Screw-HH
12	3296-23	3	Nut-Lock, NI	34	3231-22	1	Screw-CARR
13	3217-9	2	Nut-HH	35	114-5307	1	Bracket-HOC
14	40-1940	4	Washer	36	103-9859	2	Chain-Decklift
15	109-9840	4	Screw-Shoulder, HHF	37	116-0886	2	Extension Spring ASM
16	117-0519	2	Link-Lift	38	98-5975	2	Washer-Belleville
17	32128-21	4	Nut-HF	39	323-58	2	Bolt-TAP, HH
18	114-5274	1	Pin-HOC	40	116-2909	4	Bearing-Flange
19	114-3512	1	HOC Handle ASM	41	325-22	1	Screw-HH
21	302-5	1	Fitting-Grease	42	116-3047	1	Bearing-Flange



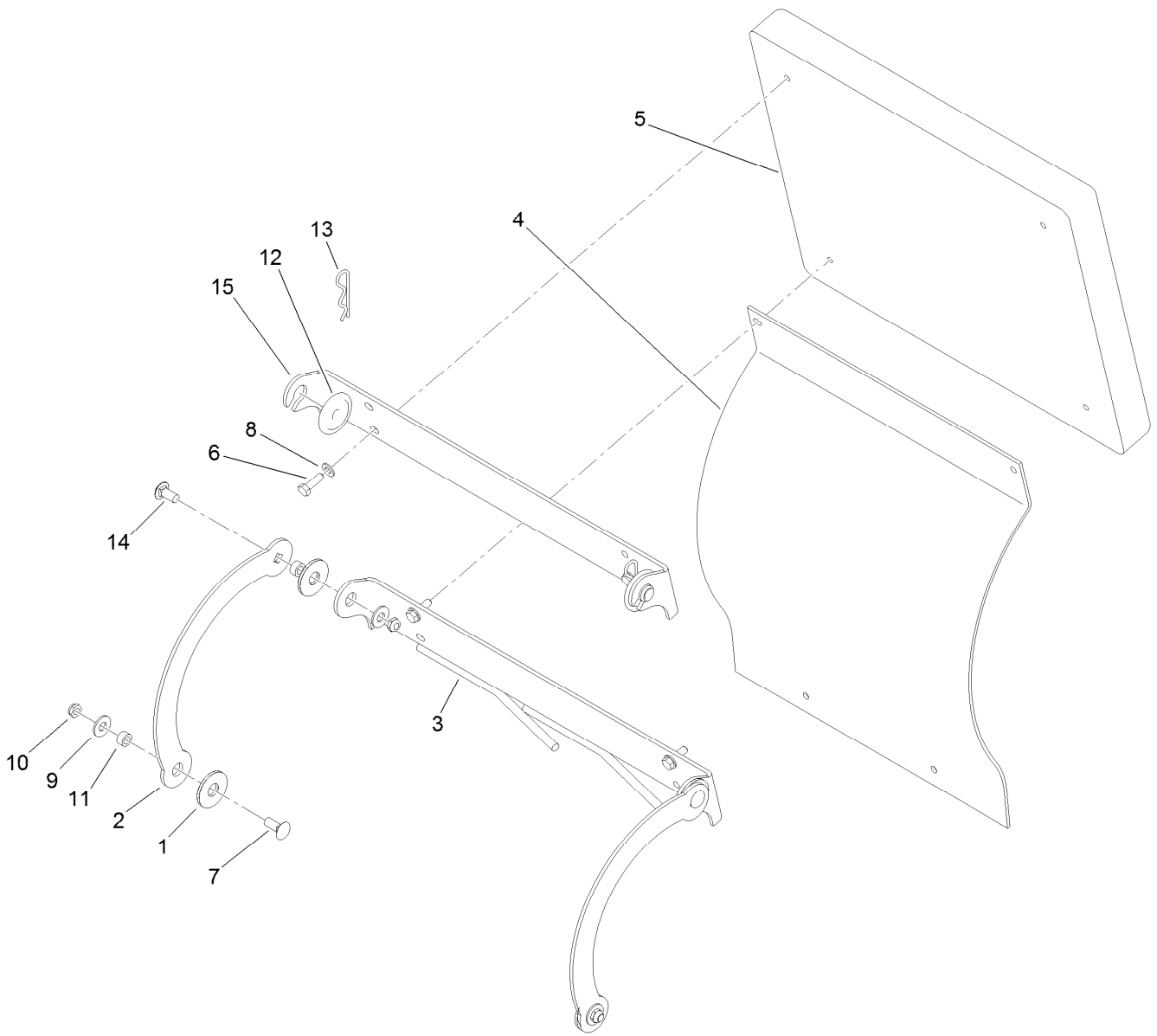
Decklift Assembly (continued)

<i>Ref.</i>	<i>Part Number</i>	<i>Qty.</i>	<i>Description</i>	<i>Ref.</i>	<i>Part Number</i>	<i>Qty.</i>	<i>Description</i>
43	116-3124	1	Skid-Handle, Lift	53	92-2651	1	Washer
44	32144-11	2	Screw-HWHTF	54	104-7201	1	Nut-HF
45	116-3625	1	Seat-Spring	55	114-0409	1	HOC Pin ASM
46	116-3241	1	Spring-Urethane				



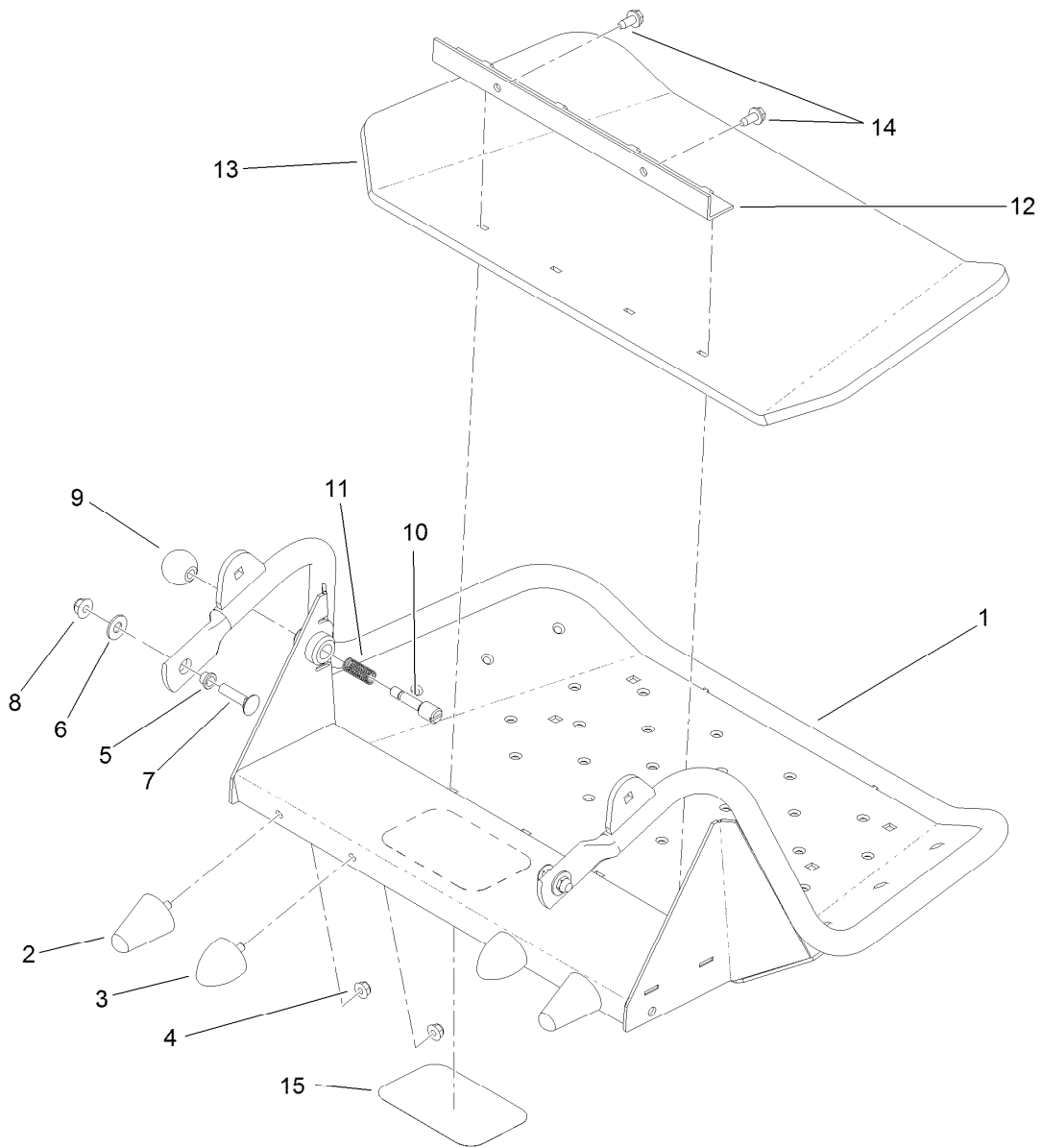
Platform Assembly

<i>Ref.</i>	<i>Part Number</i>	<i>Qty.</i>	<i>Description</i>
1	119-8742	1	Cushion ASM
2	117-9640	1	Platform ASM



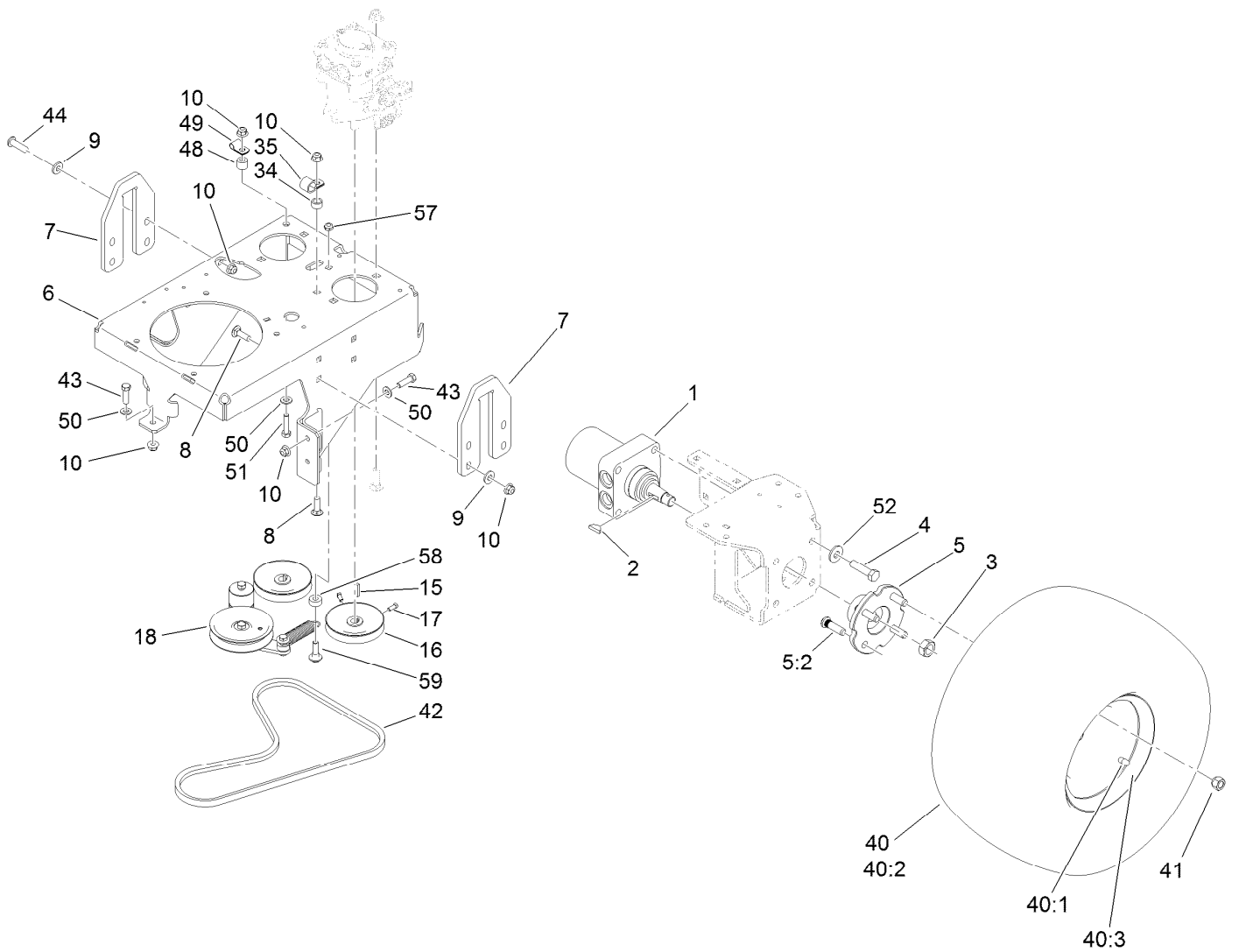
Cushion Assembly No. 119-8742

Ref.	Part Number	Qty.	Description
1	114-0463	4	Washer-Friction, Composite
2	114-1915-01	2	Link-Pad
3	119-7369-03	1	Hinge-Lower
4	114-1919	1	Shield-Rear
5	117-9739	1	Pad-Cushion
6	116-0648	4	Screw-HH, Thread Locking
7	3231-2	2	Bolt-CARR
8	3256-23	4	Washer-Flat
9	3256-4	4	Washer-Flat
10	3296-59	4	Nut-Lock, NI
11	111044	4	Spacer
12	116-2886	2	Slide-Bushing
13	3290-355	2	Pin-Hair
14	3231-27	2	Screw-CARR
15	116-2757-03	1	Hinge-Pad



Platform Assembly No. 117-9640

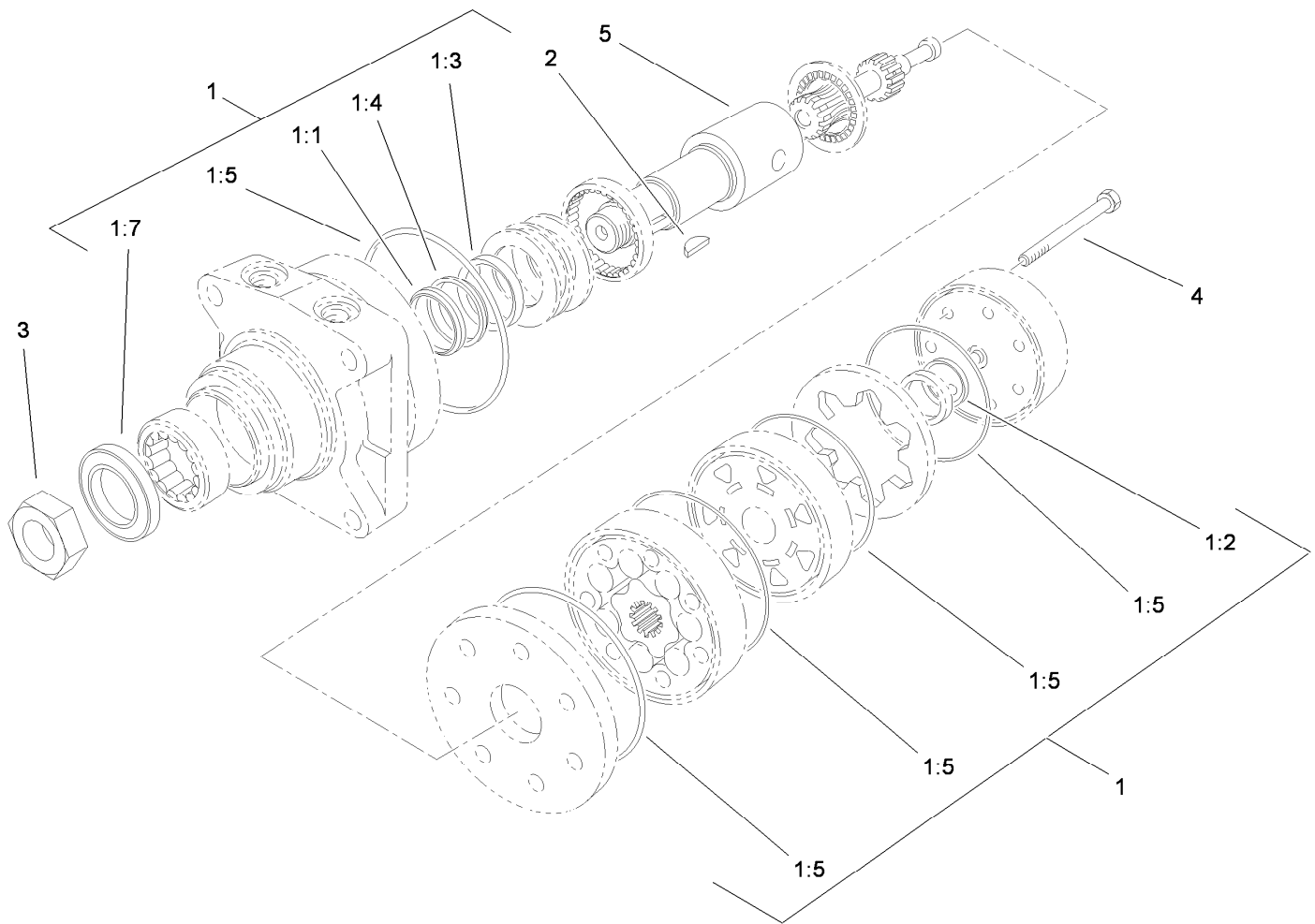
<i>Ref.</i>	<i>Part Number</i>	<i>Qty.</i>	<i>Description</i>
1	117-9641-01	1	Platform
2	114-1925	2	Bumper-Rubber
3	114-1926	2	Bumper-Rubber
4	104-8300	4	Nut-Flange, NI
5	109-8788	2	Bushing-Flanged
6	3256-4	2	Washer-Flat
7	3231-4	2	Screw-CARR
8	104-8301	2	Nut-Flange, NI
9	1-603175	1	Knob-Ball
10	119-8650	1	Pin-Latch
11	114-5348	1	Spring
12	114-1920-03	1	Clamp-Shield
13	114-5349	1	Mat-Foot
14	32144-70	2	Screw-HWHTF
15	68-3640	1	Decal



Ground Drive Assembly

Ref.	Part Number	Qty.	Description	Ref.	Part Number	Qty.	Description
1	114-0549	2	HYD Motor ASM	40	120-6465	2	Wheel/Tire ASM
2	3257-8	2	Key-Woodruff	40:1	116-4605	1	Rim-8 Inch
3	85-7310	2	Nut-Motor, Wheel	40:2	120-6466	1	Tire
4	325-8	8	Screw-HH	40:3	232-27	1	Stem-Valve
5	105-0800	2	Wheel Hub ASM	41	242-50	8	Nut-Lug
5:2	10-6830	4	Stud-Type, Drive	42	114567	1	Belt-V, Lower PTO
6	120-6456-01	1	Base-Engine	43	3234-42	5	Screw-HHF
7	119-8662	2	Plate-Lift	44	3274-63	1	Screw-HSBH
8	3231-25	8	Bolt-CARR	48	121-1760	1	Spacer
9	98-5975	8	Washer-Belleville	49	116-3362	1	Clip-Tube
10	104-8301	15	Nut-Flange, NI	50	3256-24	1	Washer-Flat
15	1-807272	2	Key	51	323-8	1	Screw-HH
16	105-5648	2	Pulley-Pump	52	1-513435	8	Washer-Spring
17	3241-5	4	Screw-Set	57	3296-59	1	Nut-Lock, NI
18		1	Pump Idler ASM ●	58	104-8426	1	Spacer
34	1-653069	1	Spacer-Wheel	59	614672	1	Bolt-Shoulder
35	1-633396	1	Clip-Loom				

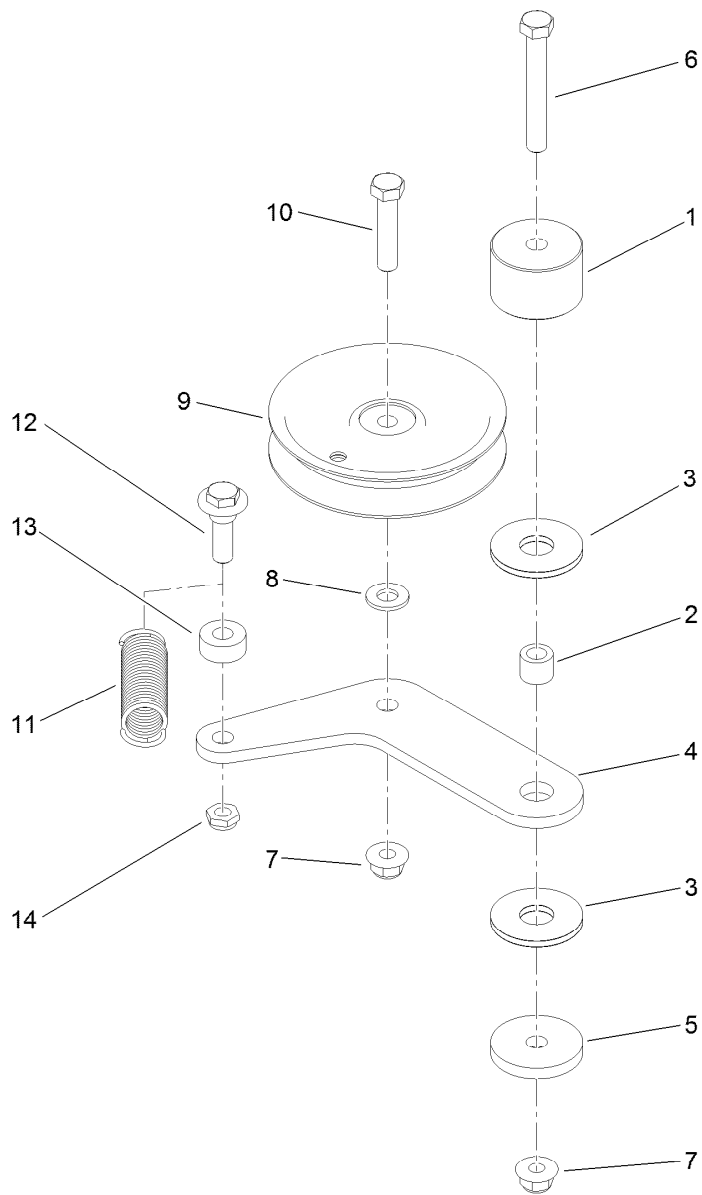
● Not serviced separately



Hydraulic Motor Assembly No. 114-0549

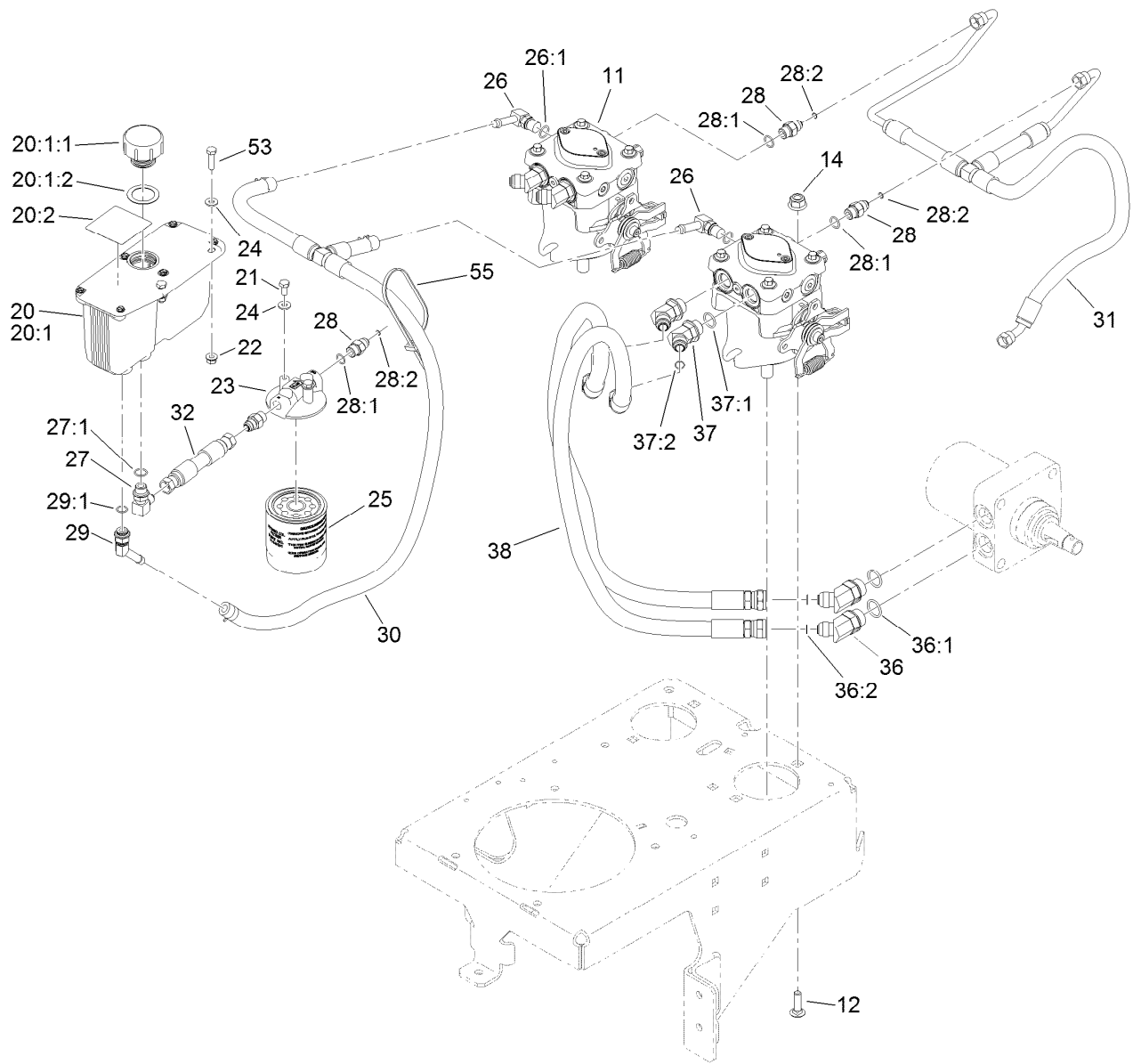
Ref.	Part Number	Qty.	Description
1	1-000119	1	Seal Kit
1:1		1	Ring-Back Up ●
1:2		1	Seal-Commutator ●
1:3		1	Seal-Shaft (Viton) ●
1:4		1	Washer-Back Up, Steel ●
1:5		5	Ring-Seal (Viton) ●
1:7		1	Seal-Dirt And Water ●
2	3257-8	1	Key-Woodruff
3	85-7310	1	Nut-Motor, Wheel
4	106-5549	6	Bolt-Special
5	106-8764	1	Shaft-Coupling

● Not serviced separately



Pump Idler Assembly

<i>Ref.</i>	<i>Part Number</i>	<i>Qty.</i>	<i>Description</i>
1	117-3568	1	Hub-Idler
2	1-413088	1	Bushing-Lever, Lift
3	114-0463	2	Washer-Friction, Composite
4	119-8737	1	Plate-Idler
5	110-9981	1	Washer-Plain
6	323-13	1	Screw-HH
7	104-8301	2	Nut-Flange, NI
8	3256-24	1	Washer-Flat
9	93-1622	1	Pulley-Idler
10	323-9	1	Screw-HH
11	108-4056	1	Spring-Extension
12	614672	1	Bolt-Shoulder
13	104-8426	1	Spacer
14	3296-59	1	Nut-Lock, NI

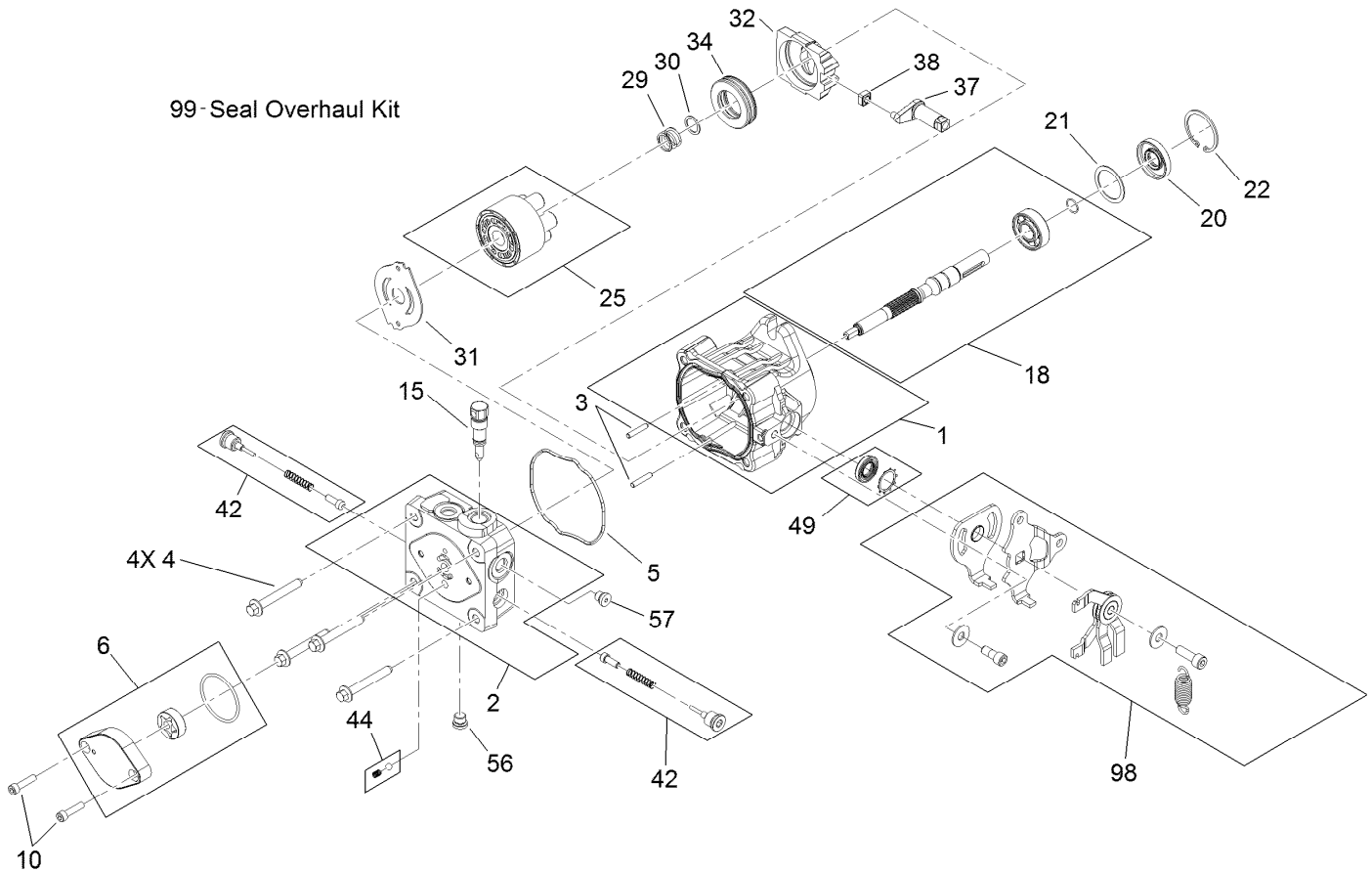


Hydraulic System Assembly

Ref.	Part Number	Qty.	Description	Ref.	Part Number	Qty.	Description
11	119-7375	2	Hydraulic Pump ASM	28	103-2156	4	Fitting-Straight
12	3232-3	4	Bolt-CARR	28:1	1-603921	1	O-Ring
14	114-8417	4	Nut-HF, NI	28:2	103-1020	1	O-Ring
20	107-8433	1	HYD Reservoir ASM	29	103-1807	1	Fitting-Barbed, 45 DEG
20:1		1	Reservoir-HYD ●	29:1	237-42	1	O-Ring
20:1:1	103-1948	1	Cap-Reservoir, HYD	30	121-5969	1	Case Drain Hose ASM
20:1:2	103-1949	1	Gasket-Cap	31	121-5968	1	Charge Hose ASM
20:2	115-4212	1	Decal-Warning	32	116-2604	1	HYD Hose ASM
21	321-3	2	Screw-HH	36	1-523222	4	Fitting-HYD, 45 DEG
22	32128-32	2	Nut-HHF	36:1	1-603919	1	O-Ring
23	104-7836	1	Head-Filter	36:2	1-603992	1	O-Ring
24	3256-22	4	Washer-Flat	37	1-523221	4	Fitting-HYD, 45 DEG
25	114-3494	1	Element-Filter, 25 Micron	37:1	1-603920	1	O-Ring
26	100-4887	2	Fitting-Barbed, 90 DEG	37:2	1-603992	1	O-Ring
26:1	237-42	1	O-Ring	38	116-6902	4	HYD Hose ASM
27	103-1802	1	Fitting-HYD, 90 DEG	53	321-6	2	Screw-HH
27:1	1-603921	1	O-Ring	55	3290-378	2	Tie-Cable

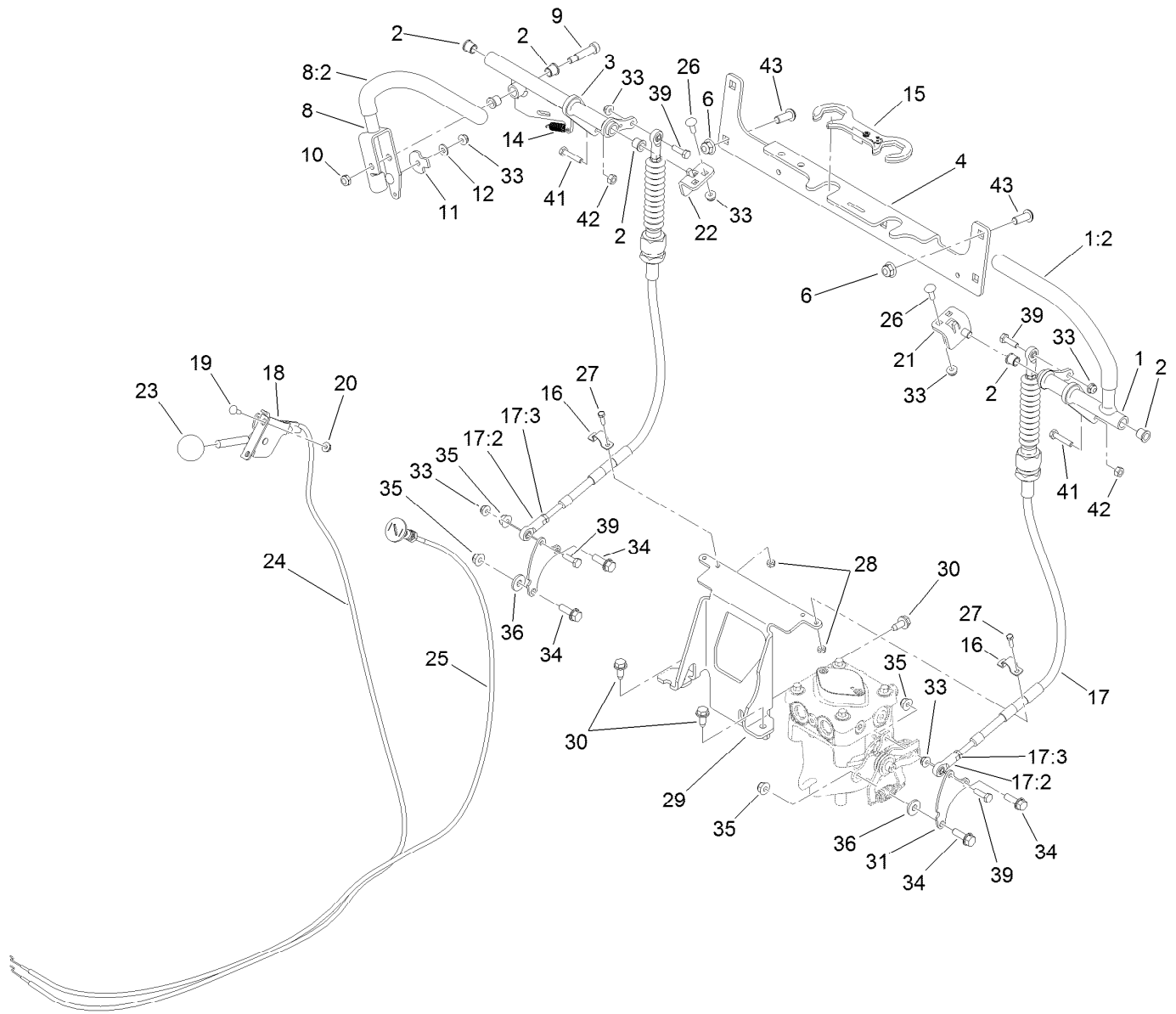
● Not serviced separately

99 - Seal Overhaul Kit



Hydraulic Pump Assembly No. 119-7375

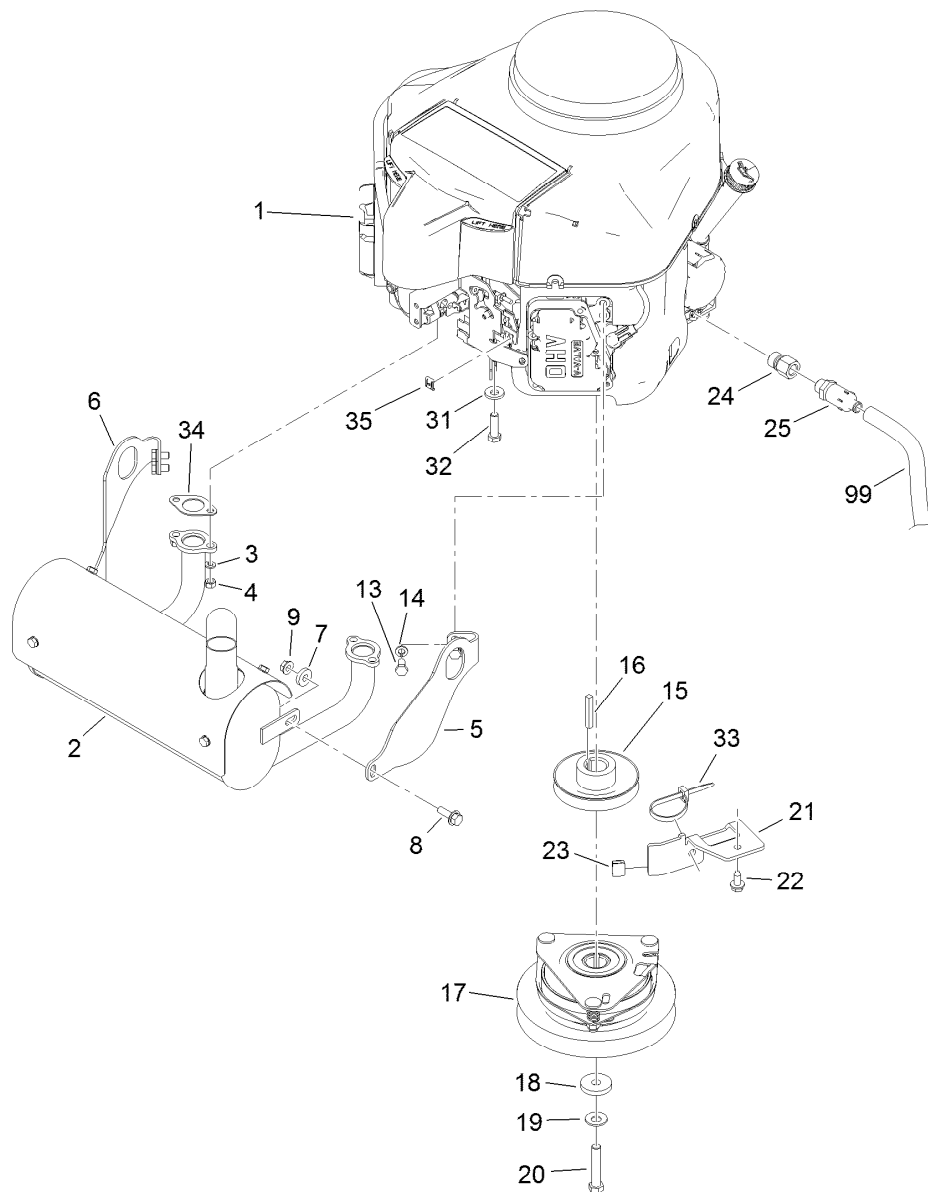
<i>Ref.</i>	<i>Part Number</i>	<i>Qty.</i>	<i>Description</i>	<i>Ref.</i>	<i>Part Number</i>	<i>Qty.</i>	<i>Description</i>
1	115-4464	1	Housing Kit	30	94-1937	1	Washer-Thrust
2	106-8752	1	End Cap Kit (W/Poppets)	31	105-6185	1	Plate-Valve
3	106-8753	2	Pin-Headless, Straight	32	94-1907	1	Swashplate-Variable
4	106-8754	4	Bolt-HF	34	94-6922	1	Bearing-Thrust
5	106-8755	1	O-Ring	37	115-4458	1	Arm-Trunnion, Tapered Square
6	106-8756	1	Charge Pump Kit	38	94-1910	1	Guide-Slot
10	104-2111	2	Capscrew	42	98-3252	2	Valve-Check (W/Poppet)
15	106-8759	1	Bypass Valve Kit	44	106-8760	1	Charge Relief Valve Kit
18	103-2664	1	Input Shaft Kit	49	106-8761	1	Trunnion Seal / Retainer Kit
20	104-5310	1	Seal-Lip	56	106-8762	1	Plug-HSH
21	104-5308	1	Spacer	57	104-2189	1	Plug-Thread, Straight
22	104-5309	1	Ring-Retaining	98	115-4046	1	Return Kit
25	103-2666	1	Cylinder Block Kit	99	105-6184	1	Seal Overhaul Kit
29	94-1936	1	Spring-Block				



Control Assembly

Ref.	Part Number	Qty.	Description
1	119-8743	1	LH Lever ASM
1:2	119-0222	1	Grip
2	103-9928	6	Bearing
3	119-7353	1	RH Motion Control ASM
4	119-7359-01	1	Bracket-Cross
6	104-8301	4	Nut-Flange, NI
8	119-1887	1	RH Motion Lever ASM
8:2	119-0222	1	Grip
9	114-0239	1	Screw-HSH
10	3296-47	1	Nut-Lock, NI
11	114-0268	1	Cam-Lever
12	3256-22	1	Washer-Flat
14	114-0249	1	Spring-Extension
15	120-8372	1	Lock-Cable
16	119-7370	2	Clamp
17	119-7366	2	Cable ASM
17:2	119-7379	2	Rod-Ball Joint
17:3	3220-1	3	Nut-Jam
18	110-5547	1	Lever-Control
19	1-807533	2	Bolt-CARR

Ref.	Part Number	Qty.	Description
20	32128-17	2	Nut-Lock, Flange
21	119-8690	1	LH Pivot Tab ASM
22	119-8718	1	RH Pivot Tab ASM
23	1-603175	1	Knob-Ball
24	119-6654	1	Cable-Throttle
25	119-6655	1	Control-Choke, Push/Pull
26	3229-1	4	Bolt-CARR
27	3290-134	4	Screw
28	3296-2	4	Nut-Lock, NI
29	119-8746-01	1	Bracket-Mount, Cable
30	32144-70	3	Screw-HWHTF
31	121-5967	2	Plate-Control, Pump
33	104-7201	8	Nut-HF
34	3234-29	4	Screw-HHF
35	104-8300	4	Nut-Flange, NI
36	4-2390	2	Washer-Flat
39	321-5	4	Screw-HH
41	114-0282	2	Screw-HH
42	3217-5	2	Nut-Hex
43	3274-94	4	Screw-HSBH



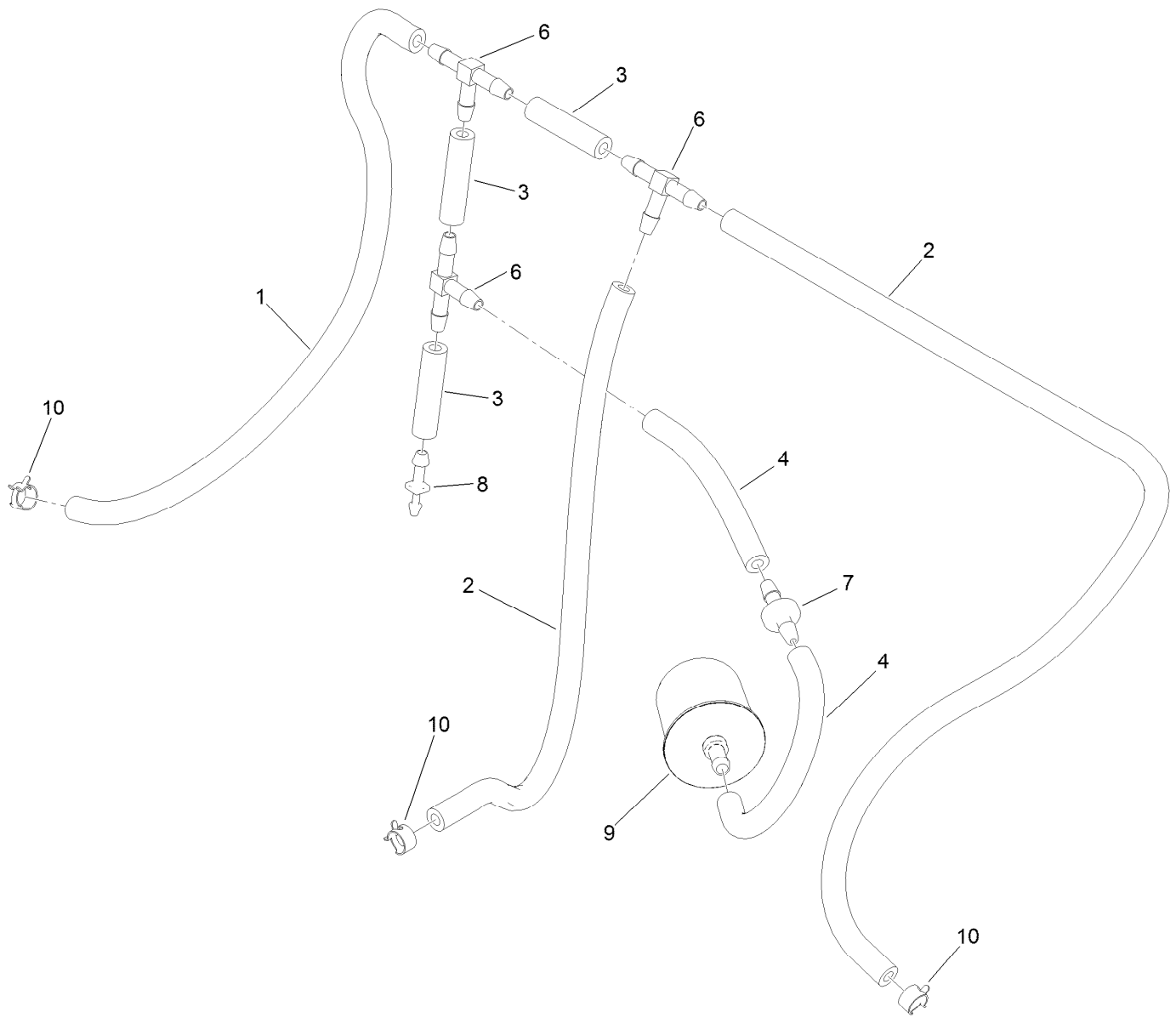
Engine Assembly

Ref.	Part Number	Qty.	Description
1		1	Engine-Kawasaki, Fs600V ● ■
2	116-2351	1	Muffler
3	114-3550	4	Washer-Lock, Spring
4	114-3549	4	Nut
5	116-2353	1	Bracket-Muffler Mount, LH
6	116-2354	1	Bracket-Muffler Mount, RH
7	104-7658	2	Spacer
8	3234-29	2	Screw-HHF
9	32128-25	2	Nut-HF
13	33114-016	4	Screw-HH
14	3253-4	4	Washer-Lock
15	112-7067	1	Pulley
16	608006	1	Key-Square
17	105-2635	1	Clutch / Brake ASM

Ref.	Part Number	Qty.	Description
18	107-4136	1	Washer
19	1-603610	1	Washer-Spring
20	3212-9	1	Screw-HH
21	121-5984-03	1	Bracket-Clutch Stop
22	32144-70	1	Screw-HWHTF
23	109-3765	1	Bumper
24	103-1966	1	Adapter
25	92-6877	1	Valve-Drain, Oil
31	98-5975	4	Washer-Belleville
32	323-7	4	Screw-HH
33	3290-378	1	Tie-Cable
34	1-653313	2	Gasket-Exhaust
35	81-1690	1	Clamp-Cable
99	103-1964	1	Hose-Drain, Oil

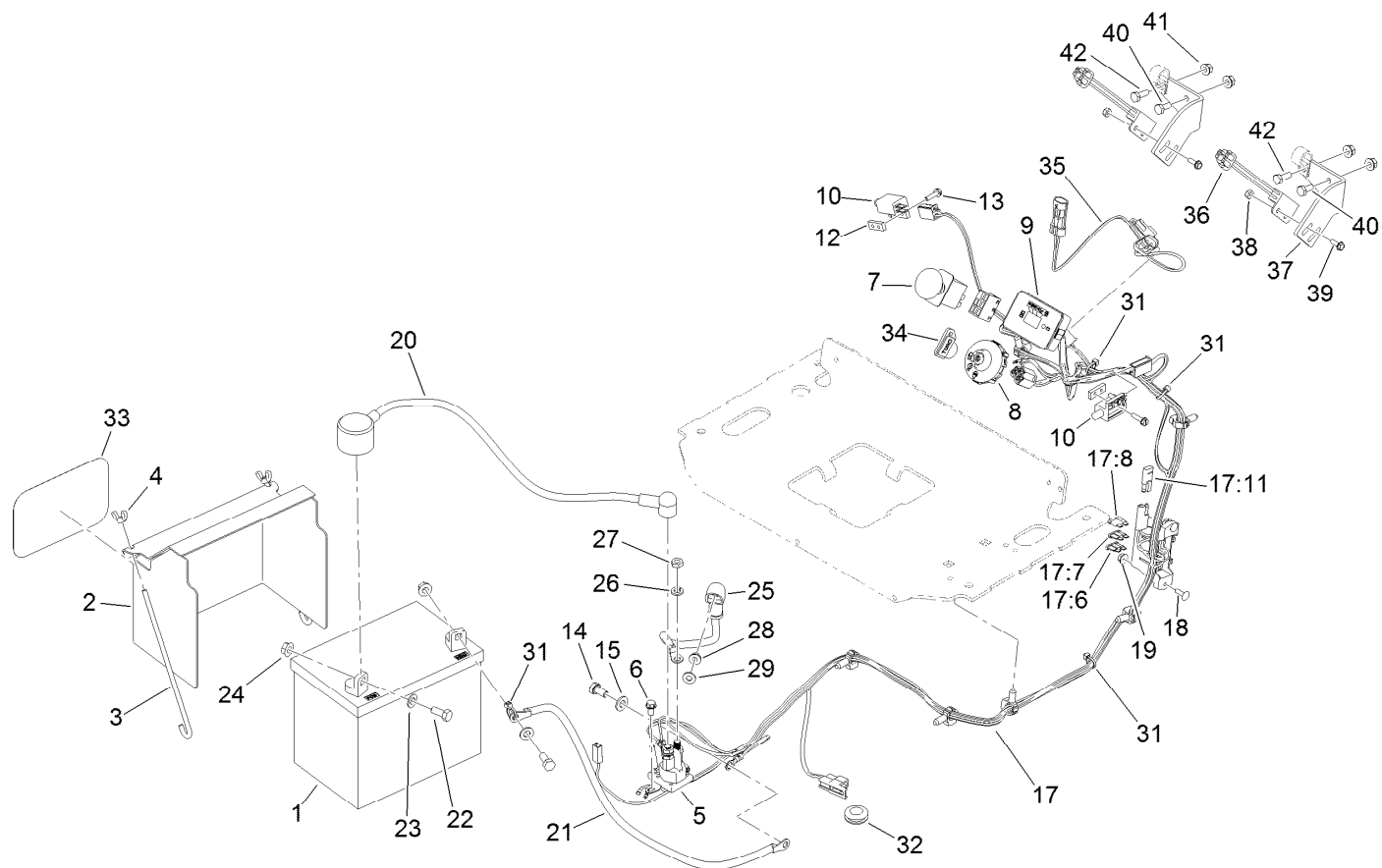
● Not serviced separately

■ Obtain parts from www.kawpowerepc.com



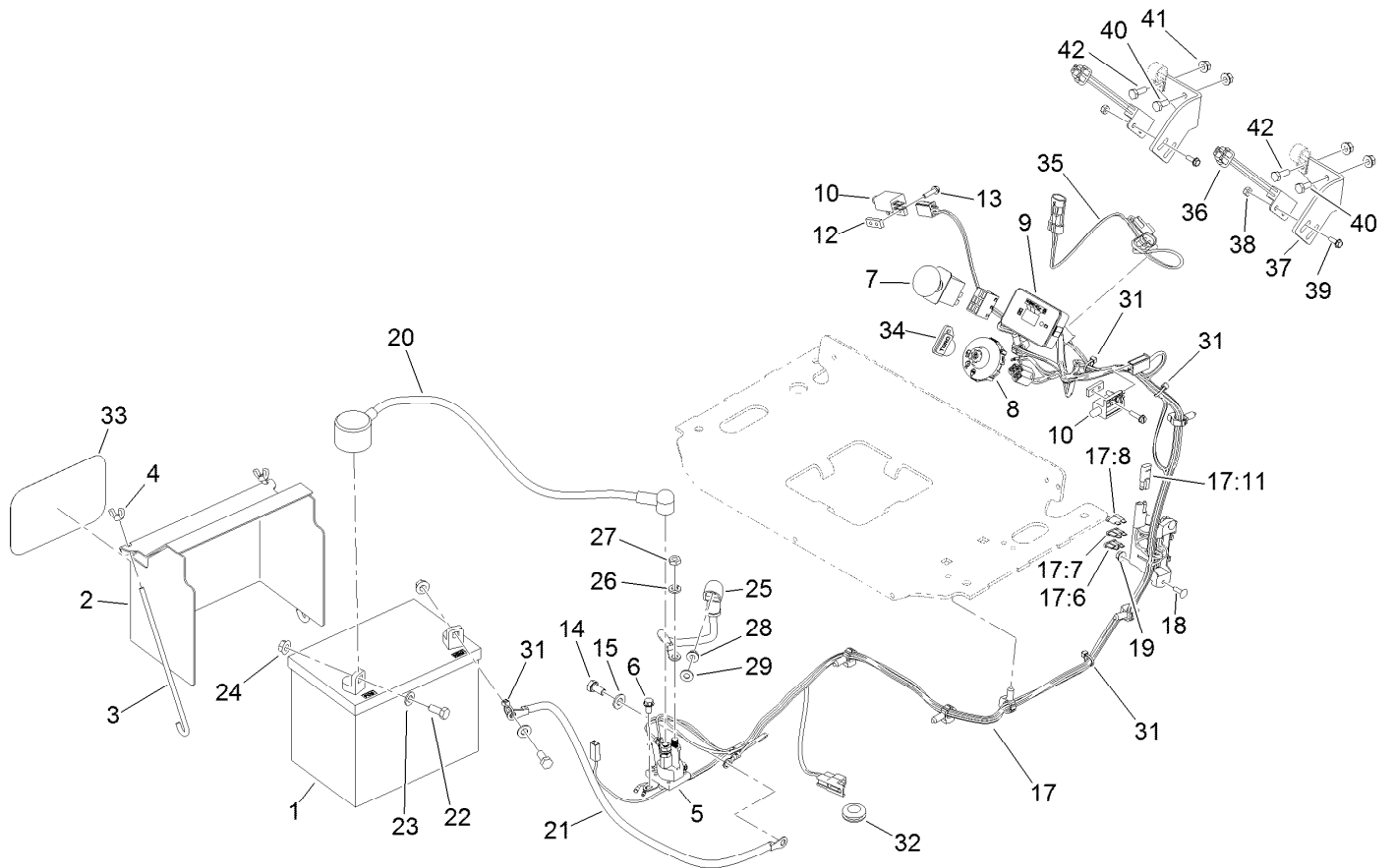
Vent Hose Assembly

Ref.	Part Number	Qty.	Description
1	109-3491	1	Hose-Fuel
2	109-0299	2	Hose-Fuel
3	119-7856	3	Hose-Fuel
4	109-0295	2	Hose-Fuel
6	99-5005	3	Fitting-Tee, Barbed
7	99-5000	1	Valve-Check, Fuel
8	106-8150	1	Fitting-Straight
9	120-2235	1	Filter-Fuel
10	2412-98	3	Clamp-Hose



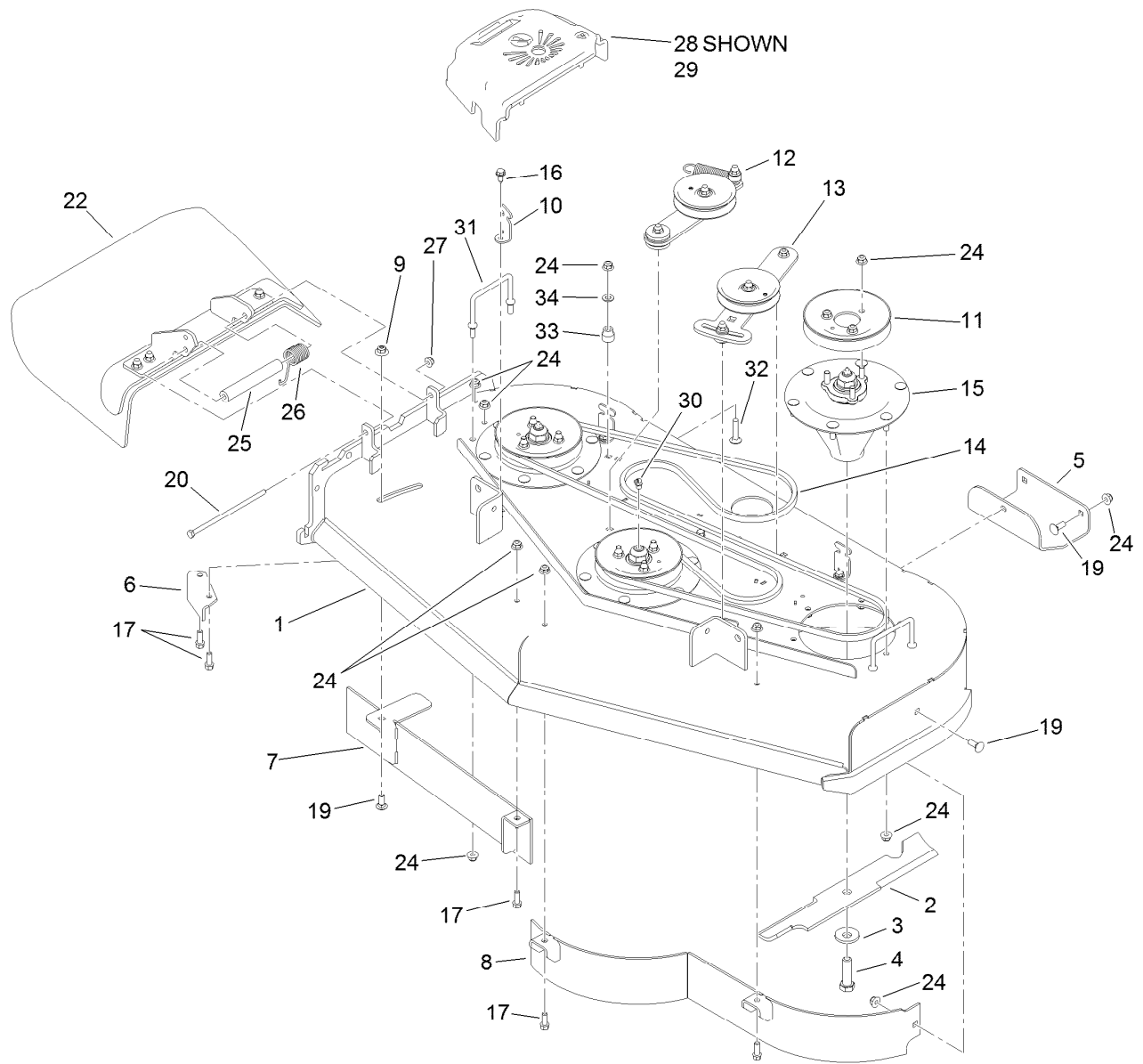
Electrical Assembly

Ref.	Part Number	Qty.	Description	Ref.	Part Number	Qty.	Description
1	104-8162	1	Battery	20	115-3864	1	Cable-Battery, Positive
2	117-0543-01	1	Cover-Battery	21	105-0836	1	Cable-Battery, Black
3	1-633651	2	Bolt-Holddown	22	322-3	2	Screw-HH
4	1-543792	2	Wingnut	23	3256-23	2	Washer-Flat
5	117-1197	1	Solenoid	24	109-5715	2	Nut-HHF, Smooth
6	32144-4	2	Screw-HWH	25	106-8268	1	Cable-Battery, Red
7	114-0279	1	Switch-PTO	26	3253-4	2	Washer-Lock
8	117-2222	1	Switch-Ignition	27	3220-2	2	Nut-Jam
9	117-3886	1	Module-Hour Meter	28	32128-33	1	Nut-HF
10	1-513152	2	Switch-Closed, Normally	29	3256-22	1	Washer-Flat
12	1-633181	2	Plate-Tapped	31	1-303287	4	Tie-Cable
13	32105-13	4	Screw-HWH	32	117-2781	1	Grommet
14	33114-016	1	Screw-HH	33	68-3640	1	Decal
15	33094-00	1	Washer-Plain	34	63-8360	1	Key-Ignition (W/Shield)
17	116-2662	1	Harness-Wiring	35	119-8729	1	Harness-Wire, Neutral
17:6	109103	1	Fuse-Blade, 30 Amp				Switch
17:7	109102	1	Fuse-Blade, 25 Amp	36	105-0023	2	Switch-Proximity
17:8	218-578	1	Fuse-Blade, 10 Amp	37	119-8503-01	2	Bracket-Mount, Switch
17:11	116-0053	1	Cap-Plug	38	3296-2	4	Nut-Lock, NI
18	1-807533	2	Bolt-CARR	39	32105-23	4	Screw
19	3290-148	2	Nut-HF	40	321-3	2	Screw-HH



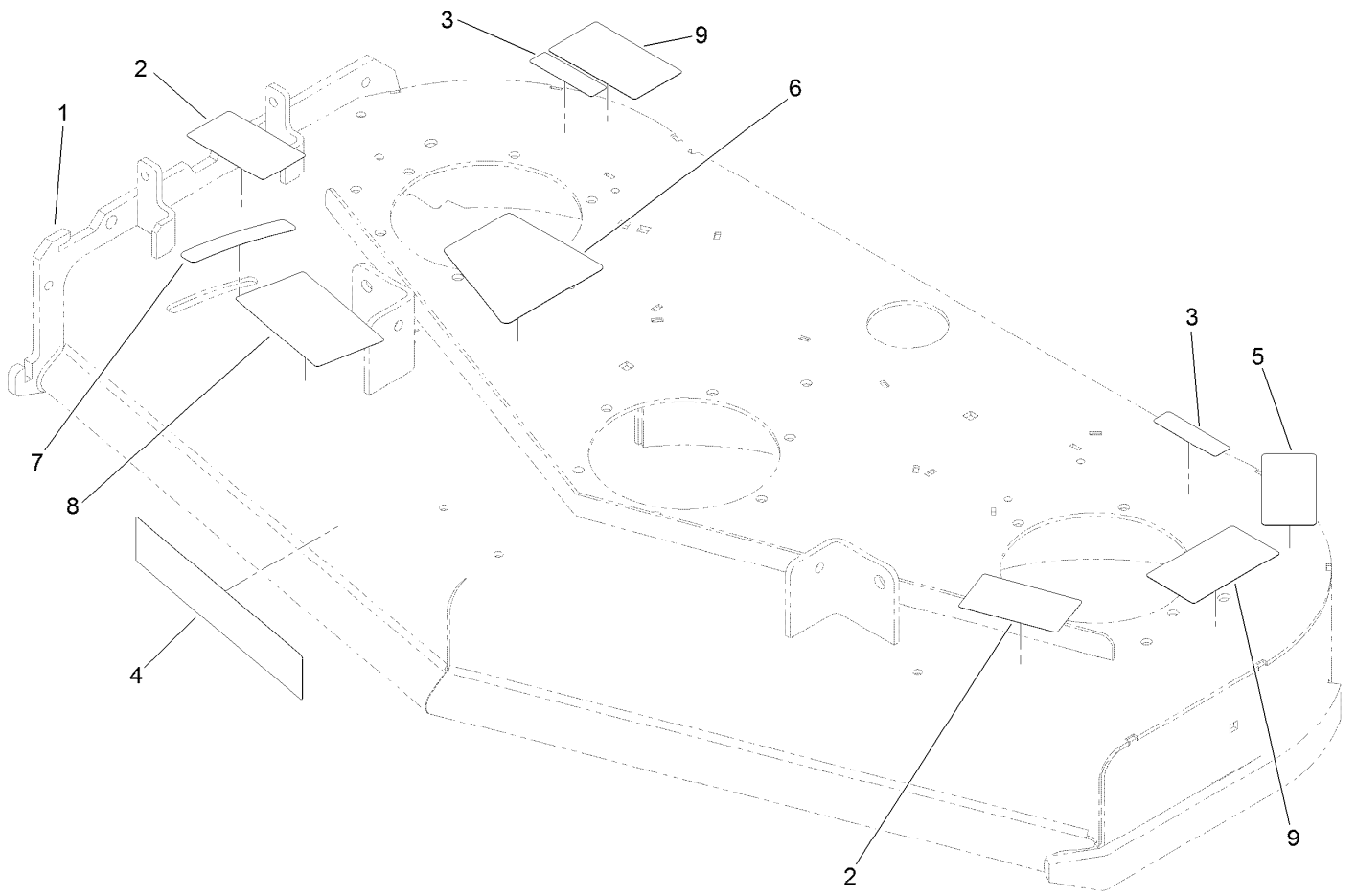
Electrical Assembly (continued)

<i>Ref.</i>	<i>Part Number</i>	<i>Qty.</i>	<i>Description</i>
41	32128-32	4	Nut-HHF
42	321-4	2	Screw-HH



Deck Assembly

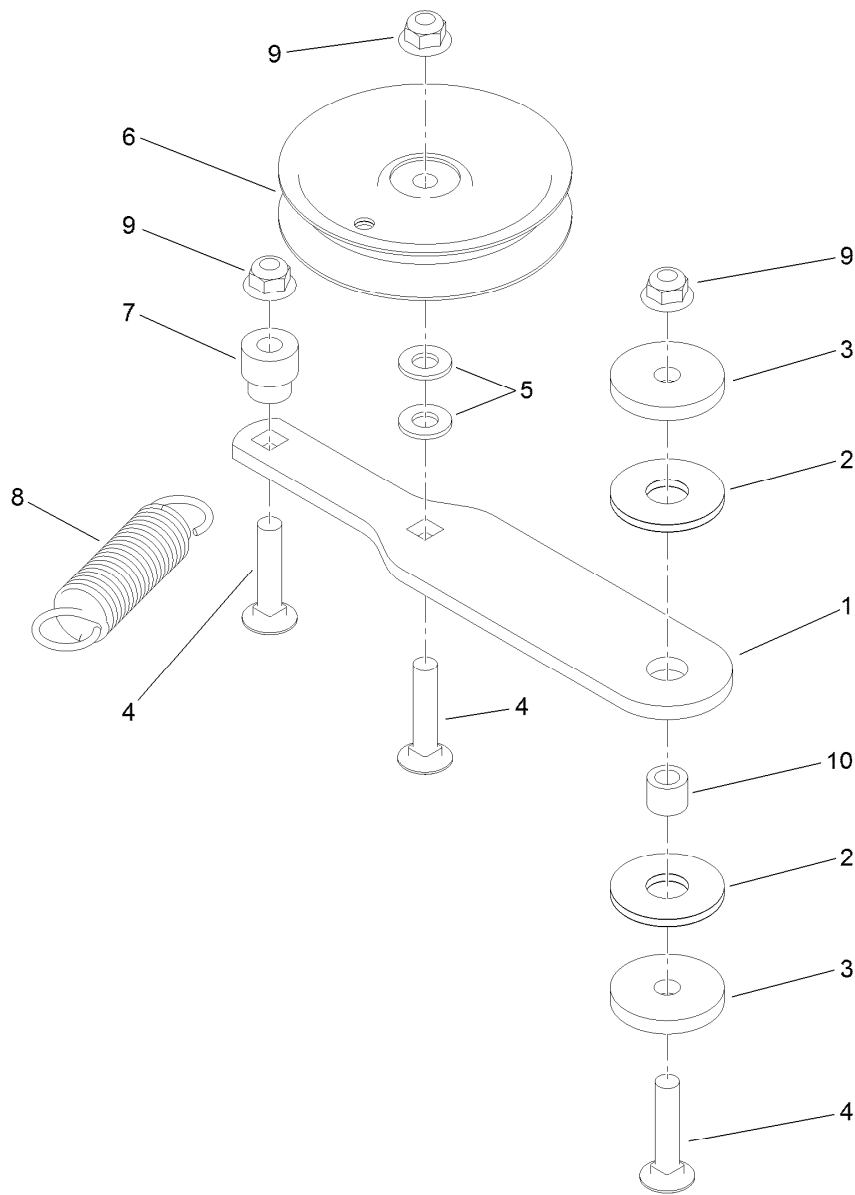
Ref.	Part Number	Qty.	Description	Ref.	Part Number	Qty.	Description
1	120-6401	1	Deck ASM	17	92-1624	5	Screw-HWH
2	107-3192-03	3	Blade-16.5 Inch (High Flow)	19	3231-2	5	Bolt-CARR
3	103-0865	3	Washer-Blade Bolt, Heavy	20	322-50	1	Screw-HH
4	51-4060	3	Screw-Blade	22	121-5960	1	Deflector ASM
5	114-1908-01	1	Skid	24	104-8301	41	Nut-Flange, NI
6	107-8541-01	1	Baffle-Discharge	25	105-4622	1	Spacer
7	121-1790-01	1	Baffle	26	108-4052	1	Spring-Torsion
8	117-0410-01	1	48 Inch Baffle ASM	27	104-8300	1	Nut-Flange, NI
9	109-6658	1	Nut-Flange, NI	28	120-6431	1	Cover-Belt, RH
10	117-5758-03	4	Bracket-Cover	29	120-6423	1	Cover-Belt
11	120-6432	3	Pulley	30	302-33	1	Fitting-Grease
12	120-6410	1	Idler Arm ASM	31	109-6982	2	Wireform-Cover
13	117-0446	1	Idler Adjust ASM	32	3231-5	1	Screw-CARR
14	114-0453	1	Belt-V	33	1-603496	1	Bushing-Idler
15	119-8560	3	Spindle ASM	34	3256-24	1	Washer-Flat
16	32144-70	4	Screw-HWHTF				



Deck Decal Assembly No. 120-6401

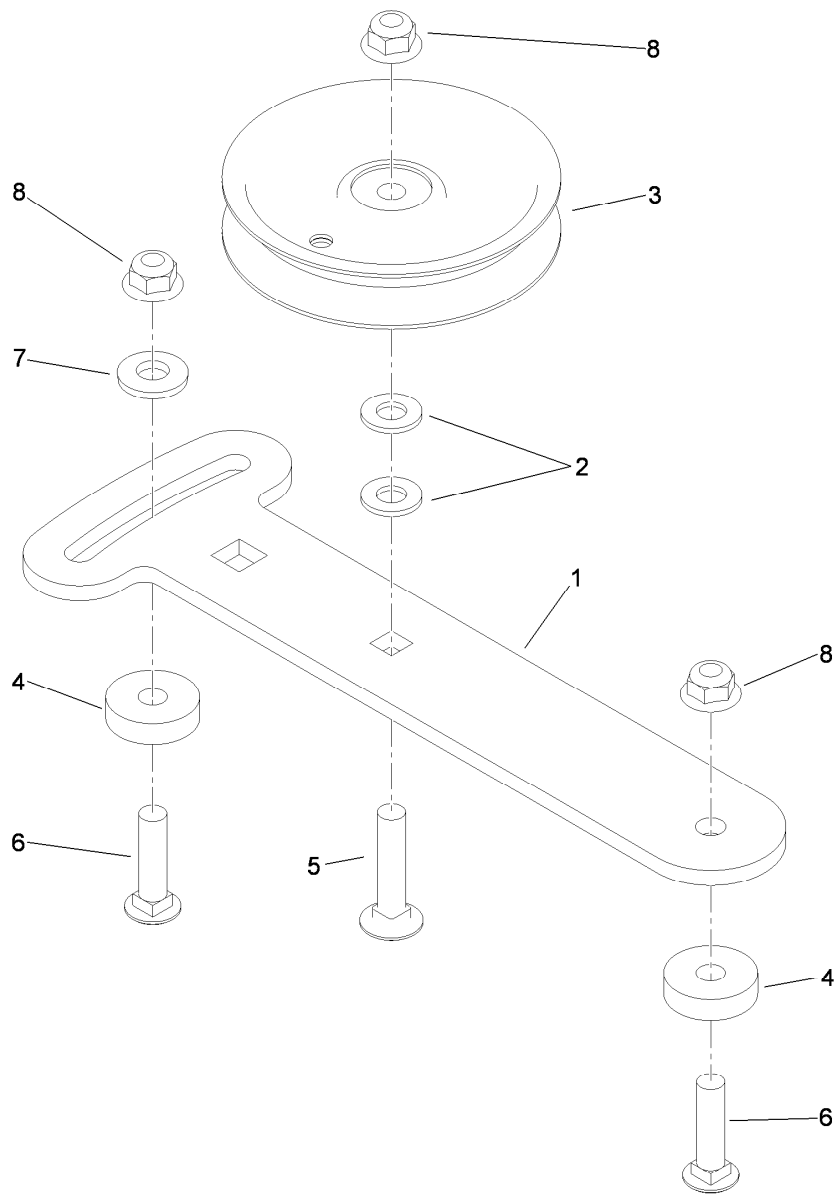
<i>Ref.</i>	<i>Part Number</i>	<i>Qty.</i>	<i>Description</i>
1		1	Deck ASM ●
2	93-7010	2	Decal-Danger
3	119-0217	2	Decal-Danger
4	107-1690	1	Decal
5	93-7818	1	Decal-Torque, Blade Bolt
6	120-6412	1	Decal-Belt Tension, Ce
7	110-2067	1	Decal-Setting, Baffle
8	110-2068	1	Decal-Adjustment, Baffle
9	120-6424	2	Decal-Danger, Rotating Parts

● Not serviced separately



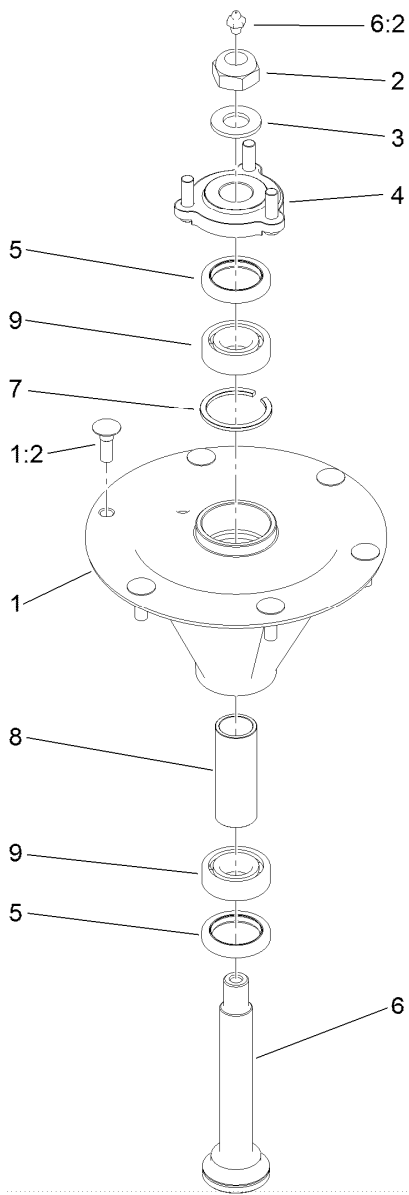
Idler Arm Assembly No. 120-6410

<i>Ref.</i>	<i>Part Number</i>	<i>Qty.</i>	<i>Description</i>
1	120-6409	1	Arm-Idler
2	114-0463	2	Washer-Friction, Composite
3	110-9981	2	Washer-Plain
4	3231-5	3	Screw-CARR
5	3256-24	2	Washer-Flat
6	93-1622	1	Pulley-Idler
7	1-603496	1	Bushing-Idler
8	1-603402	1	Spring-Extension
9	104-8301	3	Nut-Flange, NI
10	1-413088	1	Bushing-Lever, Lift



Idler Adjust Assembly No. 117-0446

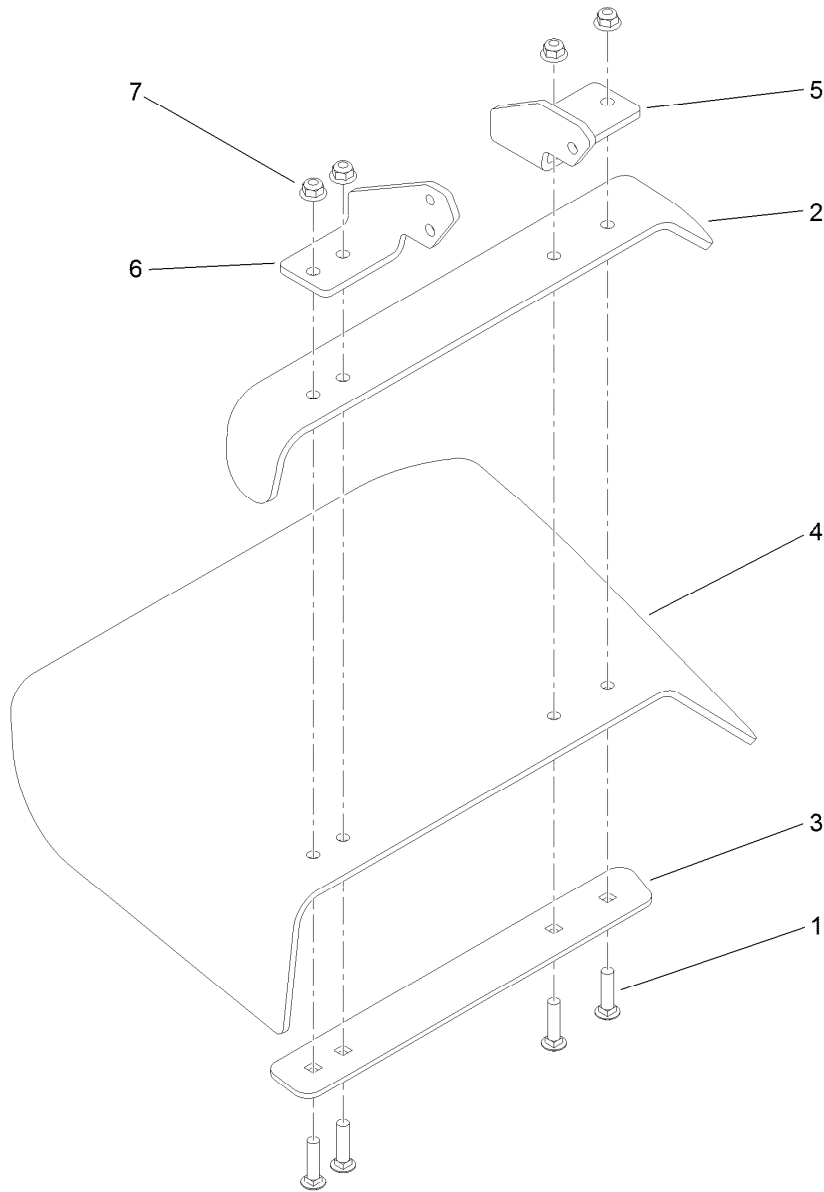
Ref.	Part Number	Qty.	Description
1	114-1991	1	Plate-Idler
2	3256-24	2	Washer-Flat
3	93-1622	1	Pulley-Idler
4	105-7788	2	Spacer
5	3231-5	1	Screw-CARR
6	3231-4	2	Screw-CARR
7	98-5975	1	Washer-Belleville
8	104-8301	3	Nut-Flange, NI



Spindle Assembly No. 119-8560

<i>Ref.</i>	<i>Part Number</i>	<i>Qty.</i>	<i>Description</i>
1		1	Spindle Housing And Studs ASM ●
1:2	114-8195	6	Bolt-Ribbed Neck
2	3296-67	1	Nut-Lock, NI
3	92-5836	1	Washer
4	117-6172	1	Spindle Hub ASM
5	253-133	2	Seal-Oil
6	119-8527	1	Spindle Shaft And Zerk ASM
6:2	302-2	1	Fitting-Grease
7	119-8532	1	Snap Ring
8	117-6184	1	Spacer
9	119-8558	2	Bearing-Noseal

● Not serviced separately



Deflector Assembly No. 121-5960

<i>Ref.</i>	<i>Part Number</i>	<i>Qty.</i>	<i>Description</i>
1	3231-4	4	Screw-CARR
2	106-3246-01	1	Deflector
3	106-3248-03	1	Strap-Discharge
4	110-0759	1	Deflector-Rubber
5	108-4059-01	1	Plate-Hinge, Rear
6	106-3253-01	1	Plate-Hinge, Front
7	104-8301	4	Nut-Flange, NI

Attachments and Accessories

For 74538 GrandStand Mower With 48in TURBO FORCE Cutting Unit

Product Name	Model/Part
Standard High Lift Blade	107-3192-03
Blade-Low Flow, 16.5in.....	107-3193-03
Blade-Mid Flow, 16.5in	107-3194-03
Blade-Atomic, 16.5in	107-3195-03
Blade-Recycling, 16.5in.....	107-3196-03
Bagging Enhancement Kit	108-4091
Blade-Hi Flow, 16.5in (6 Pack).....	110-0414
Blade-Lo Flow, 16.5in (6 Pack)	110-0415
Blade-Recycler, 16.5in (6 Pack).....	110-0416
Blade-Atomic, 16.5in (6 Pack)	110-0417
Blade-Mid Flow, 16.5in (6 Pack)	110-0418
Weight-Cast.....	112-7059-01
Light Kit.....	114-3505
Striping Kit	114-3521
Hypr-Oil 500 (quart).....	114-4713
Hypr-Oil 500 (gallon).....	114-4714
Hypr-Oil 500-5 (5 gallon).....	114-4715
Recycler Kit	115-7466
Weight Kit	117-3620
Chute Gate Kit With Bag.....	119-7292
Speed Control Kit.....	119-7390
Trash Bag Kit.....	121-7530
Soft Bag (3 Bushel).....	30104
Spark Arrestor	98-9099

Notes:

Notes:



Count on it.