



**Count on it.**

**Parts Catalog**

**Z588E Z Master®**

**With 72in TURBO FORCE® Side Discharge  
Mower**

**Model No. 74256—Serial No. 260000109 and Up**



# Ordering Replacement Parts

To order replacement parts, please supply the part number, the quantity, and the description of each part desired.

## Understanding Reference Numbers

Each identified part in an illustration has a reference number. The reference number for a part also appears in the parts list, along with other information about the part.

This catalog uses two special reference number formats, one to indicate parts in a service assembly and another to indicate the quantity of a given part in an illustration.

## Service Assembly Reference Numbers

Parts in service assemblies have reference numbers in the form a:b. The a represents the reference number of the entire service assembly and the b represents a sequential number unique to each part within the service assembly.

For example, a wheel assembly might be identified by reference number 6, the tire by 6:1, the valve by 6:2, and the wheel by 6:3. When you order the assembly identified by reference number 6, you receive all parts identified by reference numbers 6:1, 6:2, and 6:3. However, you may also order any part individually. Reference numbers of this type appear in illustration and in parts lists.

## Reference Numbers Indicating Quantity

In an illustration, if a reference number indicates more than one part, the reference number has the form nX y. The n represents the quantity of the part, the X is the multiplication symbol, and the y represents the reference number.

For example, in an illustration, the reference number 2X 37 means that two of the parts identified by reference number 37 are indicated.

# List of Abbreviations

**AR:** as required

**ASM:** assembly

**BBC:** blade brake control

**BHTF:** button head thread forming

**CARR:** carriage

**CCW:** counter clockwise

**CW:** clockwise

**DEG:** degrees

**DPA:** Dual Point Adjustment

**ECM:** electronic control module

**EXT:** external

**FH:** flat head

**GA:** gauge

**HD:** heavy-duty

**HF:** hex flange

**HH:** hex head

**HHF:** hex head flange

**HHFTF:** hex head flange thread forming

**HJ:** hex jam

**HLH:** hex lag head

**HOC:** height-of-cut

**HSBH:** hex socket button head

**HSFH:** hex socket flat head

**HSH:** hex socket head

**HWH:** hex washer head

**HWHTF:** hex washer head thread forming

**HYD:** hydraulic

**LH:** left hand

**LP:** Liquefied Petroleum Gas

**LPG:** Liquefied Petroleum Gas

**NI:** nylon insert

**NPTF:** national pipe thread fine

**PFH:** phillips flat head

**PPH:** phillips pan head

**PPHTF:** phillips pan head thread forming

**PRH:** phillips round head

**PTH:** phillips truss head

**PTO:** power-take-off

**RH:** right hand

**ROPS:** roll-over protection system

**RRB:** rear roller brush

**SFH:** slotted fillister head

**SHH:** slotted hex head

**SHWH:** slotted hex washer head

**SPH:** slotted pan head

**SQH:** square head

**SRH:** slotted round head

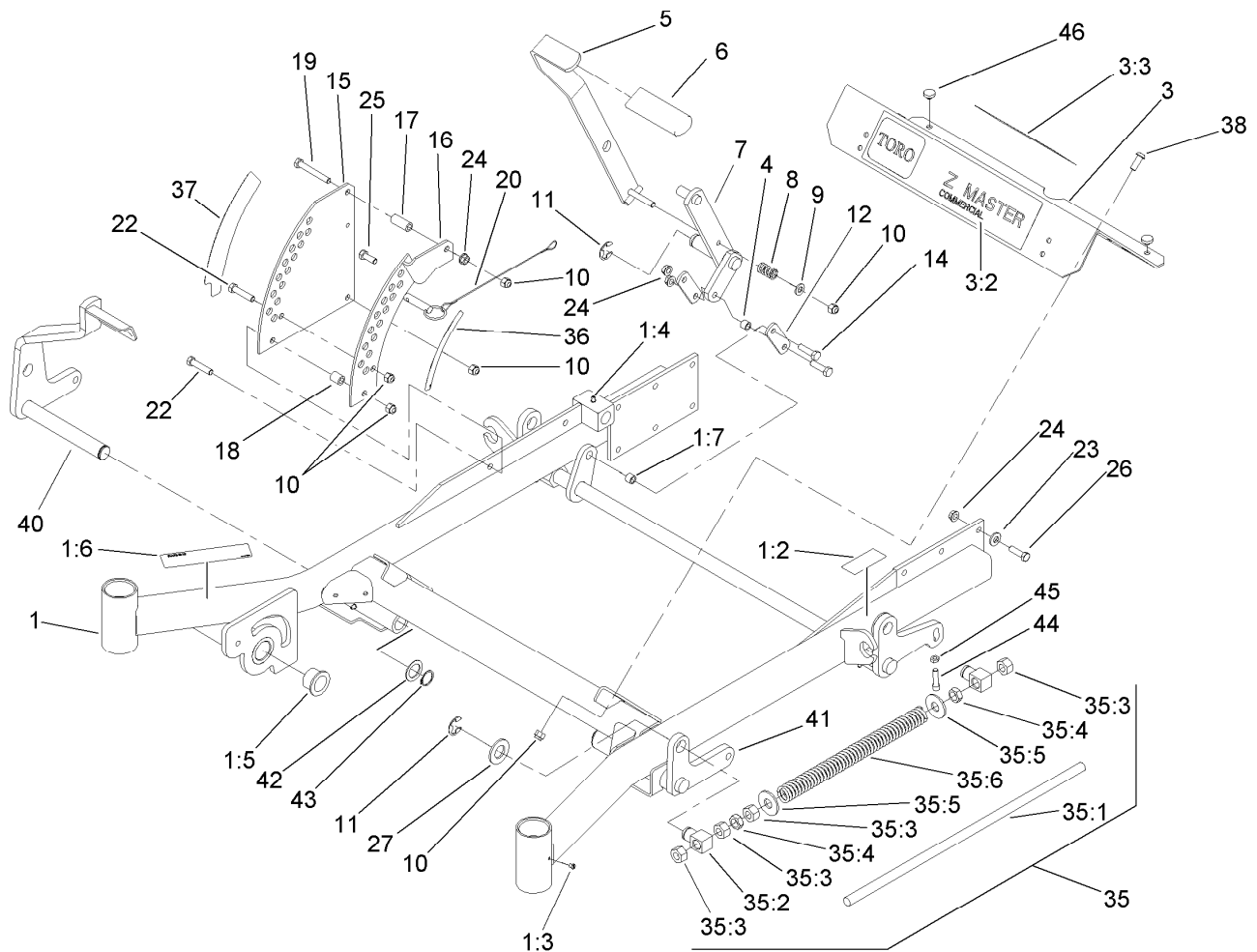
**STD:** standard

**TAP:** self tapping

**TTH:** torx truss head

# Contents

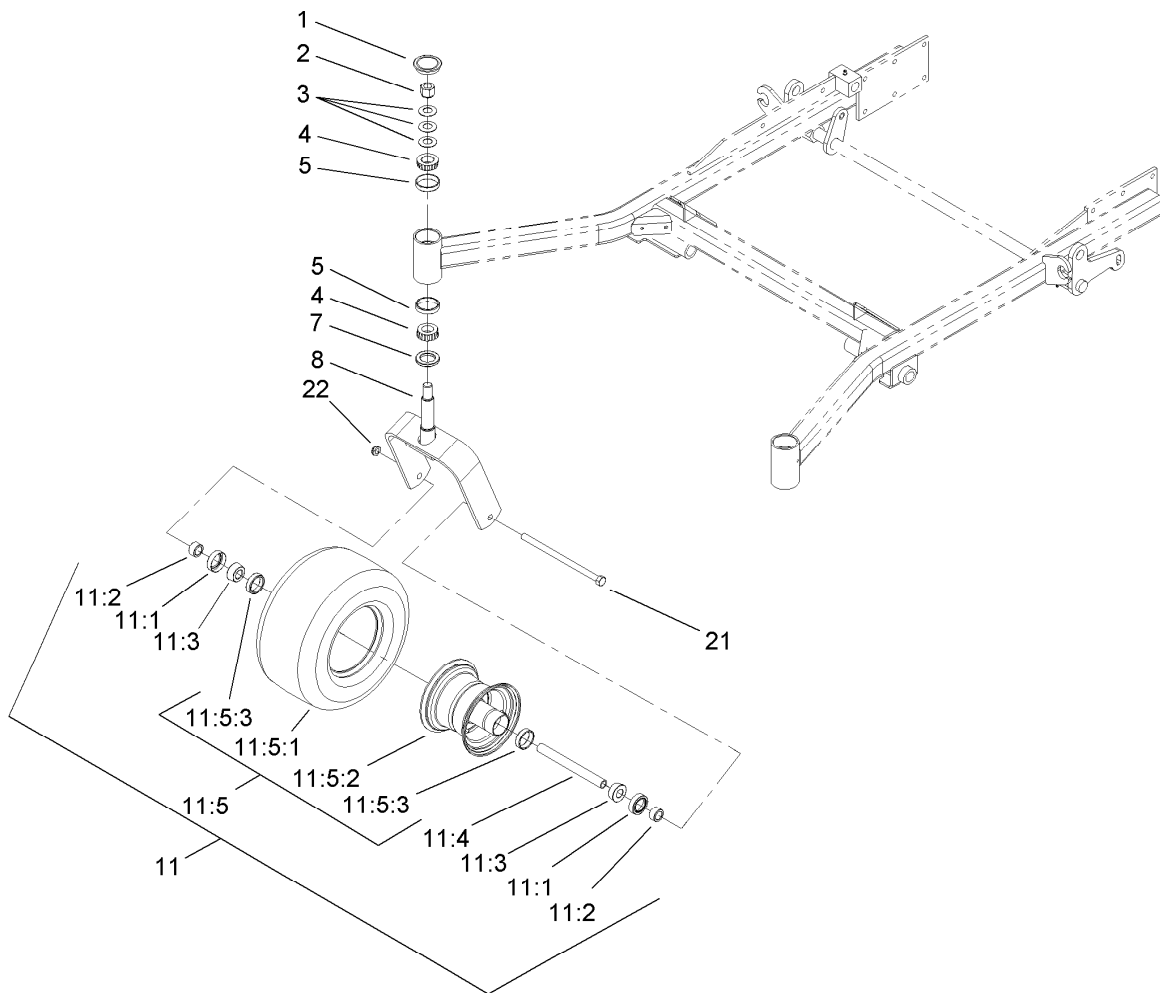
|                                                            |    |
|------------------------------------------------------------|----|
| Front Frame Assembly .....                                 | 4  |
| Castor and Wheel Assembly .....                            | 5  |
| Main Frame Assembly .....                                  | 6  |
| Brake and Wheel Hub Assembly .....                         | 7  |
| Steering Control Assembly .....                            | 8  |
| Hydraulic System Assembly .....                            | 9  |
| Seat and Roll-Over-Protection-System Assembly .....        | 11 |
| Deluxe Seat Assembly No. 110-0838 .....                    | 12 |
| Roll-Over-Protection-System Assembly No. 108-1097 .....    | 13 |
| Deck Connection Assembly .....                             | 14 |
| Deck Assembly .....                                        | 15 |
| Spindle Assembly No. 106-3217 .....                        | 16 |
| Deck and Decal Assembly No. 107-1625 .....                 | 17 |
| Rubber Deflector Assembly No. 108-2792 .....               | 18 |
| Lever Assembly No. 106-3242 .....                          | 19 |
| Drive Idler Assembly .....                                 | 20 |
| Z-Stand Assembly .....                                     | 21 |
| Engine and Clutch Assembly .....                           | 22 |
| Muffler and Guard Assembly .....                           | 23 |
| Fuel Assembly .....                                        | 24 |
| Electrical Assembly .....                                  | 26 |
| Crankshaft Assembly Kohler CH745-0012 .....                | 27 |
| Crankcase Assembly Kohler CH745-0012 .....                 | 28 |
| Oil Pan and Lubrication Assembly Kohler CH745-0012 .....   | 29 |
| Head, Valve and Breather Assembly Kohler CH745-0012 .....  | 30 |
| Ignition and Electrical Assembly Kohler CH745-0012 .....   | 32 |
| Blower Housing and Baffle Assembly Kohler CH745-0012 ..... | 33 |
| Starting System Assembly Kohler CH745-0012 .....           | 35 |
| Fuel System Assembly Kohler CH745-0012 .....               | 36 |
| Engine Control Assembly Kohler CH745-0012 .....            | 37 |
| Air Intake and Filtration Assembly Kohler CH745-0012 ..... | 39 |
| Exhaust Assembly Kohler CH745-0012 .....                   | 40 |
| Attachments and Accessories .....                          | 41 |



## Front Frame Assembly

| Ref. | Part Number | Qty. | Description          | Ref. | Part Number | Qty. | Description              |
|------|-------------|------|----------------------|------|-------------|------|--------------------------|
| 1    | 106-8999    | 1    | Frame ASM            | 20   | 106-9951    | 1    | Hitch Pin ASM            |
| 1:2  | 107-1857    | 1    | Decal-Brake, Parking | 22   | 323-9       | 2    | Screw-HH                 |
| 1:3  | 1-811010    | 2    | Plug                 | 23   | 98-5975     | 12   | Washer-Belleville        |
| 1:4  | 302-19      | 5    | Fitting-Grease       | 24   | 3290-357    | 15   | Nut-HHF, Whiz            |
| 1:5  | 94-1291     | 2    | Bushing              | 25   | 323-6       | 1    | Screw-HH                 |
| 1:6  | 104-7759    | 1    | Decal-Warning        | 26   | 323-7       | 12   | Screw-HH                 |
| 1:7  | 103-1918    | 1    | Bushing              | 27   | 3256-29     | 4    | Washer-Flat              |
| 3    | 106-9981    | 1    | Footrest             | 35   |             | 2    | Front Frame Spring ASM ● |
| 3:2  | 106-7451    | 1    | Decal                | 35:1 | 1-633096    | 1    | Rod-Lift, Deck           |
| 3:3  | 107-2112    | 1    | Decal-Warning        | 35:2 | 1-633441    | 2    | Swivel-Deck Mount, Rear  |
| 4    | 103-1918    | 1    | Bushing              | 35:3 | 3217-11     | 3    | Nut-Hex                  |
| 5    | 103-2083-03 | 1    | Lever-Lift           | 35:4 | 3218-6      | 3    | Nut-Jam                  |
| 6    | 1-633295    | 1    | Grip-Lever, Lift     | 35:5 | 3256-7      | 2    | Washer-Flat              |
| 7    | 103-2064-03 | 1    | Arm-Lift, Deck       | 35:6 | 1-643015    | 1    | Spring-Support, Deck     |
| 8    | 1-633325    | 1    | Spring-Compression   | 36   | 107-1861    | 1    | Decal-Height, Deck       |
| 9    | 3256-24     | 1    | Washer-Flat          | 37   | 107-1860    | 1    | Decal-Height, Deck       |
| 10   | 3296-39     | 9    | Nut-Lock, NI         | 38   | 3274-94     | 4    | Screw-HSBH               |
| 11   | 32151-103   | 5    | Ring-Retaining, EXT  | 40   | 108-7786-01 | 1    | Lift-Deck, RH Front      |
| 12   | 1-633068    | 2    | Arm-Lift, Deck       | 41   | 106-8984-01 | 1    | Lift-Deck, LH            |
| 14   | 323-29      | 2    | Screw-HH             | 42   | 1-523157    | 2    | Washer-Spacer            |
| 15   | 1-633889-01 | 1    | Plate-Lift, Deck     | 43   | 32151-29    | 2    | Ring-Retaining           |
| 16   | 108-7759-01 | 1    | Plate-Lift, Deck     | 44   | 3274-18     | 2    | Screw-HSH                |
| 17   | 1-633082    | 1    | Bushing-Lever, Lift  | 45   | 3218-2      | 2    | Nut-Jam                  |
| 18   | 1-633080    | 1    | Bushing-Lever, Lift  | 46   | 1-513658    | 2    | Bumper                   |
| 19   | 323-13      | 1    | Screw-HH             |      |             |      |                          |

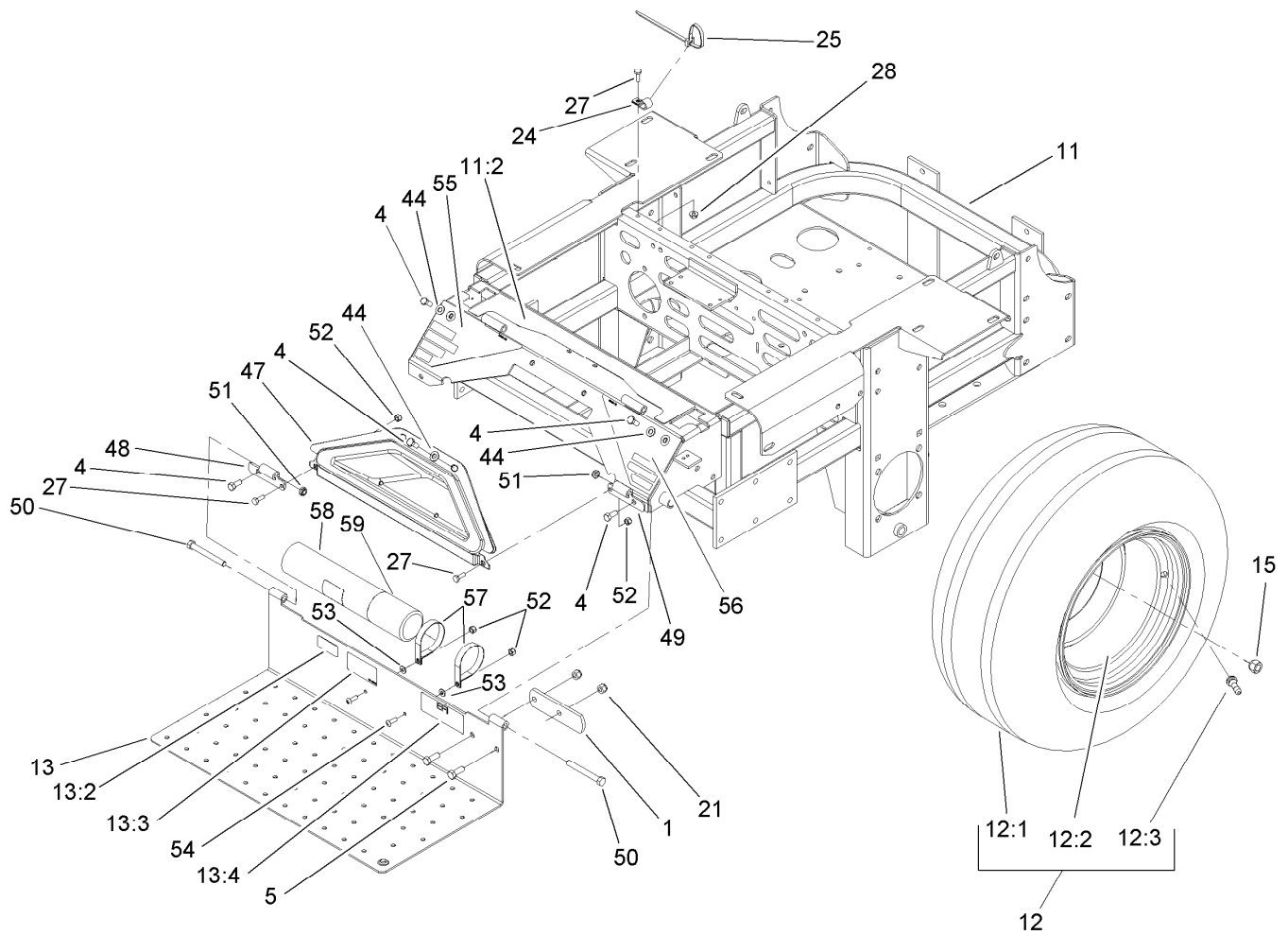
● Not serviced separately



## Castor and Wheel Assembly

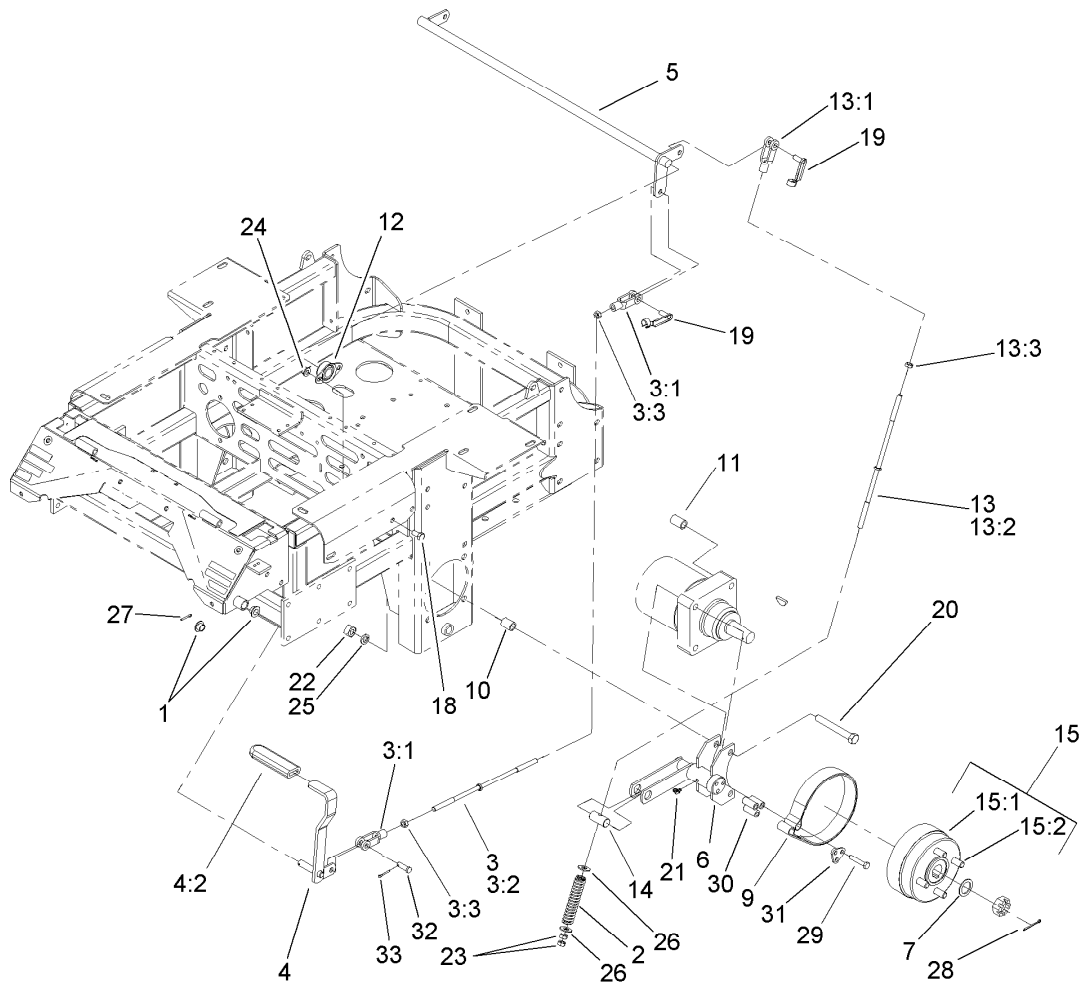
| Ref.   | Part Number | Qty. | Description           |
|--------|-------------|------|-----------------------|
| 1      | 103-4882    | 2    | Cap-Grease            |
| 2      | 3296-51     | 2    | Nut-Lock, NI          |
| 3      | 1-633508    | 6    | Washer-Bellville      |
| 4      | 254-94      | 4    | Bearing-Cone, Tapered |
| 5      | 254-72      | 4    | Bearing-Cup, Tapered  |
| 7      | 1-543511    | 2    | Seal-Grease           |
| 8      | 103-1474-01 | 2    | Caster-Fork           |
| 11     | 1-644251    | 2    | Caster Wheel ASM      |
| 11:1   | 1-633580    | 2    | Seal-Bearing          |
| 11:2   | 1-633581    | 2    | Spacer-Bearing        |
| 11:3   | 1-633585    | 2    | Bearing-Cone, Taper   |
| 11:4   | 1-633959    | 1    | Spacer-Caster, Front  |
| 11:5   |             | 1    | Wheel And Tire ASM ●  |
| 11:5:1 | 1-523009    | 1    | Tire                  |
| 11:5:2 | 1-633987    | 1    | Wheel                 |
| 11:5:3 | 1-633584    | 2    | Bearing-Cup           |
| 21     | 325-39      | 2    | Screw-HH              |
| 22     | 3296-23     | 2    | Nut-Lock, NI          |

● Not serviced separately



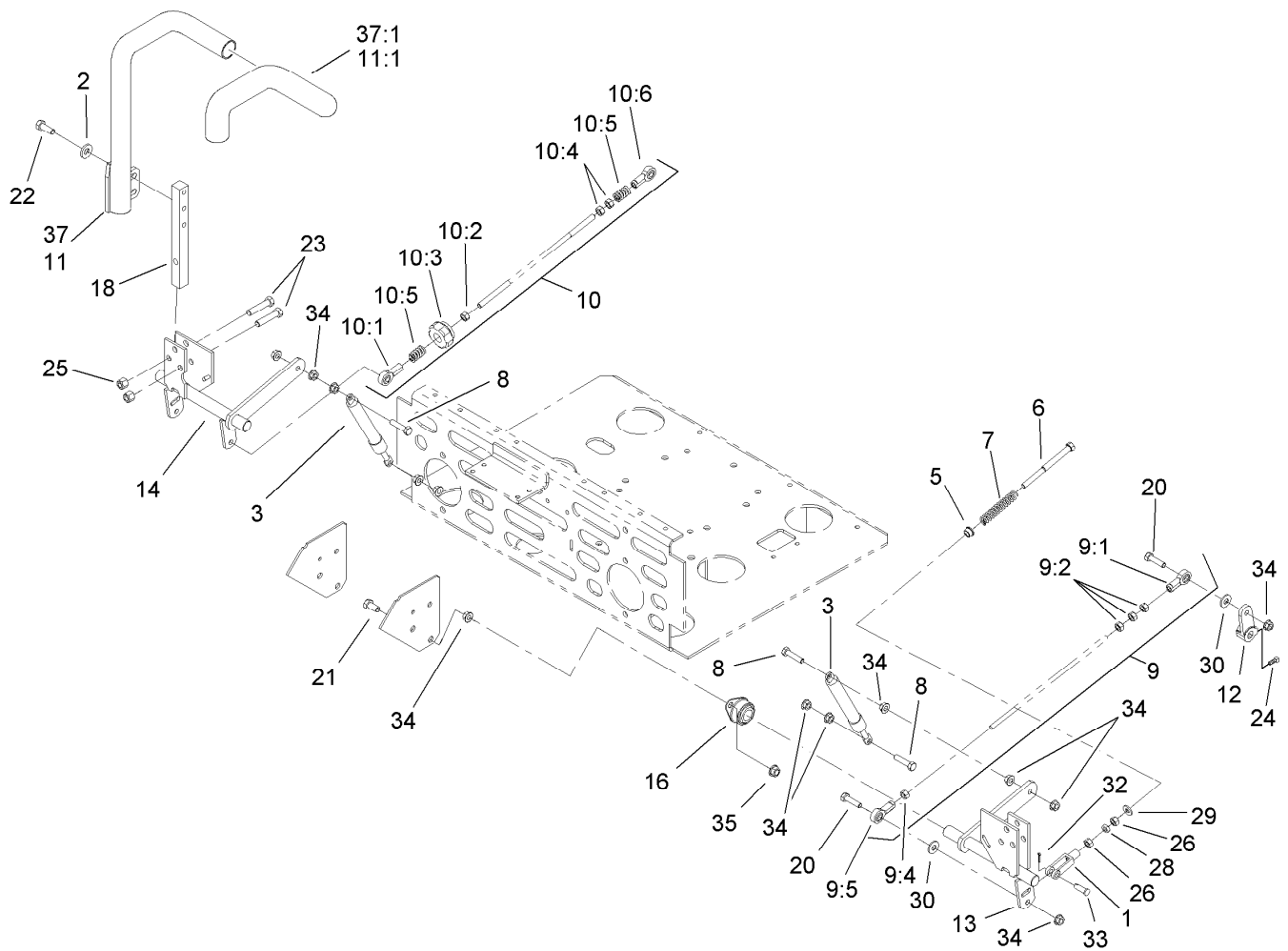
## Main Frame Assembly

| Ref. | Part Number | Qty. | Description            | Ref. | Part Number | Qty. | Description        |
|------|-------------|------|------------------------|------|-------------|------|--------------------|
| 1    | 1-633964-03 | 1    | Stop-Brake, Park       | 27   | 321-4       | 3    | Screw-HH           |
| 4    | 322-43      | 6    | Screw-HH               | 28   | 32128-33    | 1    | Nut-HF             |
| 5    | 323-6       | 2    | Screw-HH               | 44   | 3256-70     | 6    | Washer-Flat        |
| 11   | 108-1095    | 1    | Main Frame ASM         | 47   | 106-7498    | 1    | Pocket             |
| 11:2 | 107-8076    | 1    | Decal-Console, Top     | 48   | 106-7488-03 | 1    | Hinge-Floorpan, LH |
| 12   | 1-633970    | 2    | Wheel And Tire ASM     | 49   | 106-7489-03 | 1    | Hinge-Floorpan, RH |
| 12:1 | 1-633993    | 1    | Tire                   | 50   | 323-20      | 2    | Screw-HH           |
| 12:2 | 1-633992    | 1    | Wheel Rim              | 51   | 3296-59     | 2    | Nut-Lock, NI       |
| 12:3 | 232-27      | 1    | Stem-Valve             | 52   | 3296-42     | 4    | Nut-Lock, NI       |
| 13   | 107-1859    | 1    | Floorpan               | 53   | 3256-63     | 2    | Washer-Flat        |
| 13:2 | 98-4387     | 1    | Decal-Protection, Ear  | 54   | 3258-166    | 2    | Screw-PRH          |
| 13:3 | 107-1864    | 1    | Decal-Location, Manual | 55   | 106-9989    | 1    | Decal-Warning      |
| 13:4 | 106-7486    | 1    | Decal-Efi              | 56   | 106-7492    | 1    | Decal-Danger       |
| 15   | 242-50      | 8    | Nut-Lug                | 57   | 107-1865    | 2    | R-Clamp            |
| 21   | 3296-39     | 2    | Nut-Lock, NI           | 58   | 104-7050    | 1    | Tube-Manual        |
| 24   | 1-513762    | 1    | Clip-Loom              | 59   | 104-7048    | 1    | Cap-Housing        |
| 25   | 1-303335    | 1    | Tie-Plastic            |      |             |      |                    |



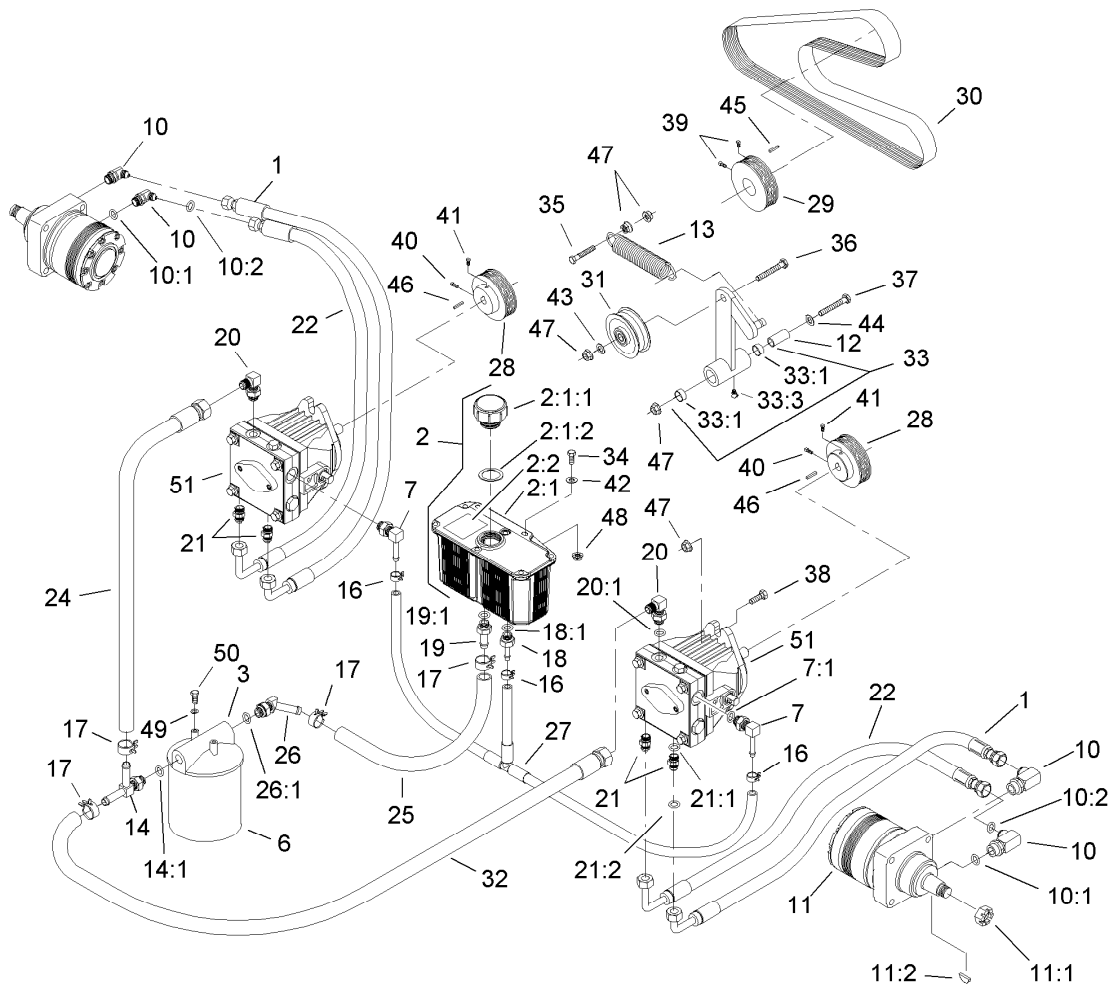
## Brake and Wheel Hub Assembly

| Ref. | Part Number | Qty. | Description            | Ref. | Part Number | Qty. | Description          |
|------|-------------|------|------------------------|------|-------------|------|----------------------|
| 1    | 1-513140    | 2    | Bearing-Control        | 15   | 103-0590    | 2    | Hub And Wheel ASM    |
| 2    | 1-633454    | 2    | Spring-Brake           | 15:1 | 103-0589    | 1    | Wheel Hub ASM        |
| 3    | 103-4332    | 1    | Brake Rod And Yoke ASM | 15:2 | 1-633926    | 4    | Stud-Wheel           |
| 3:1  | 1-633131    | 2    | Yoke-Linkage, Brake    | 18   | 323-4       | 4    | Screw-HH             |
| 3:2  | 1-633477    | 1    | Rod-Brake              | 19   | 103-2399    | 3    | Pin-Spring, Clevis   |
| 3:3  | 3219-3      | 2    | Nut-Hex                | 20   | 325-20      | 8    | Screw-HH             |
| 4    | 1-634500    | 1    | Brake Lever ASM        | 21   | 302-19      | 2    | Fitting-Grease       |
| 4:2  | 1-633268    | 1    | Grip-Lever             | 22   | 103-0131    | 8    | Nut-Square           |
| 5    | 1-632217-03 | 1    | Shaft-Brake            | 23   | 3219-3      | 4    | Nut-Hex              |
| 6    | 103-0354-03 | 2    | Brake Bracket ASM      | 24   | 3290-357    | 4    | Nut-HHF, Whiz        |
| 7    | 1-523157    | 2    | Washer-Spacer          | 25   | 3253-7      | 8    | Washer-Lock          |
| 9    | 103-0355    | 2    | Band-Brake             | 26   | 3256-4      | 4    | Washer-Flat          |
| 10   | 1-633060    | 4    | Spacer-Wheel, Short    | 27   | 3272-10     | 1    | Pin-Cotter           |
| 11   | 1-633062    | 4    | Spacer-Wheel, Long     | 28   | 1-806800    | 2    | Pin-Cotter           |
| 12   | 1-633102    | 2    | Bearing-Flange, Side   | 29   | 322-9       | 6    | Screw-HH             |
| 13   | 103-4333    | 2    | Brake Rod And Yoke ASM | 30   | 103-0384    | 6    | Spacer               |
| 13:1 | 1-633131    | 1    | Yoke-Linkage, Brake    | 31   | 103-0374    | 2    | Retainer-Band, Brake |
| 13:2 | 1-633477    | 1    | Rod-Brake              | 32   | 1-808285    | 1    | Pin-Clevis           |
| 13:3 | 3219-3      | 1    | Nut-Hex                | 33   | 3272-10     | 1    | Pin-Cotter           |
| 14   | 1-633144    | 2    | Pin-Trunion            |      |             |      |                      |



## Steering Control Assembly

| Ref. | Part Number | Qty. | Description            | Ref. | Part Number | Qty. | Description          |
|------|-------------|------|------------------------|------|-------------|------|----------------------|
| 1    | 1-303105    | 2    | Yoke-Adjustable        | 12   | 1-632208    | 2    | Arm-Control, Pump    |
| 2    | 98-5975     | 4    | Washer-Belleville      | 13   | 103-4781    | 1    | Control-Motion, LH   |
| 3    | 103-4079    | 2    | Damper-Control, Motion | 14   | 103-4782    | 1    | Control-Motion, RH   |
| 5    | 1-603735    | 2    | Bushing-Flanged        | 16   | 1-633102    | 4    | Bearing-Flange, Side |
| 6    | 1-603737    | 2    | Bolt-Return, Neutral   | 18   | 103-0407    | 2    | Arm-Shaft, Control   |
| 7    | 1-603807    | 2    | Spring-Return, Neutral | 20   | 322-6       | 4    | Screw-HH             |
| 8    | 1-403180    | 4    | Screw-HH               | 21   | 323-4       | 8    | Screw-HH             |
| 9    | 103-4331    | 1    | Tracking Rod ASM       | 22   | 323-6       | 4    | Screw-HH             |
| 9:1  | 1-543017    | 1    | Balljoint-RH           | 23   | 323-9       | 6    | Screw-HH             |
| 9:2  | 3219-2      | 3    | Nut-Hex                | 24   | 1-803022    | 2    | Screw-Set            |
| 9:4  | 1-804524    | 1    | Nut                    | 25   | 3296-39     | 6    | Nut-Lock, NI         |
| 9:5  | 1-633152    | 1    | Balljoint-LH           | 26   | 3219-2      | 4    | Nut-Hex              |
| 10   | 103-4330    | 1    | Tracking Rod ASM       | 28   | 3220-2      | 2    | Nut-Jam              |
| 10:1 | 1-543017    | 1    | Balljoint-RH           | 29   | 3256-2      | 2    | Washer-Flat          |
| 10:2 | 3219-2      | 1    | Nut-Hex                | 30   | 3256-3      | 4    | Washer-Flat          |
| 10:3 | 103-3060    | 1    | Knob-Tracking          | 32   | 3272-5      | 2    | Pin-Cotter           |
| 10:4 | 1-804524    | 2    | Nut                    | 33   | 1-808280    | 2    | Pin-Clevis           |
| 10:5 | 1-323245    | 2    | Spring-Compression     | 34   | 32128-20    | 16   | Nut-HF               |
| 10:6 | 1-633152    | 1    | Balljoint-LH           | 35   | 3290-357    | 8    | Nut-HHF, Whiz        |
| 11   | 108-7238    | 1    | LH Lever ASM           | 37   | 108-7237    | 1    | RH Lever ASM         |
| 11:1 | 106-9987    | 1    | Grip-Control, Motion   | 37:1 | 106-9987    | 1    | Grip-Control, Motion |

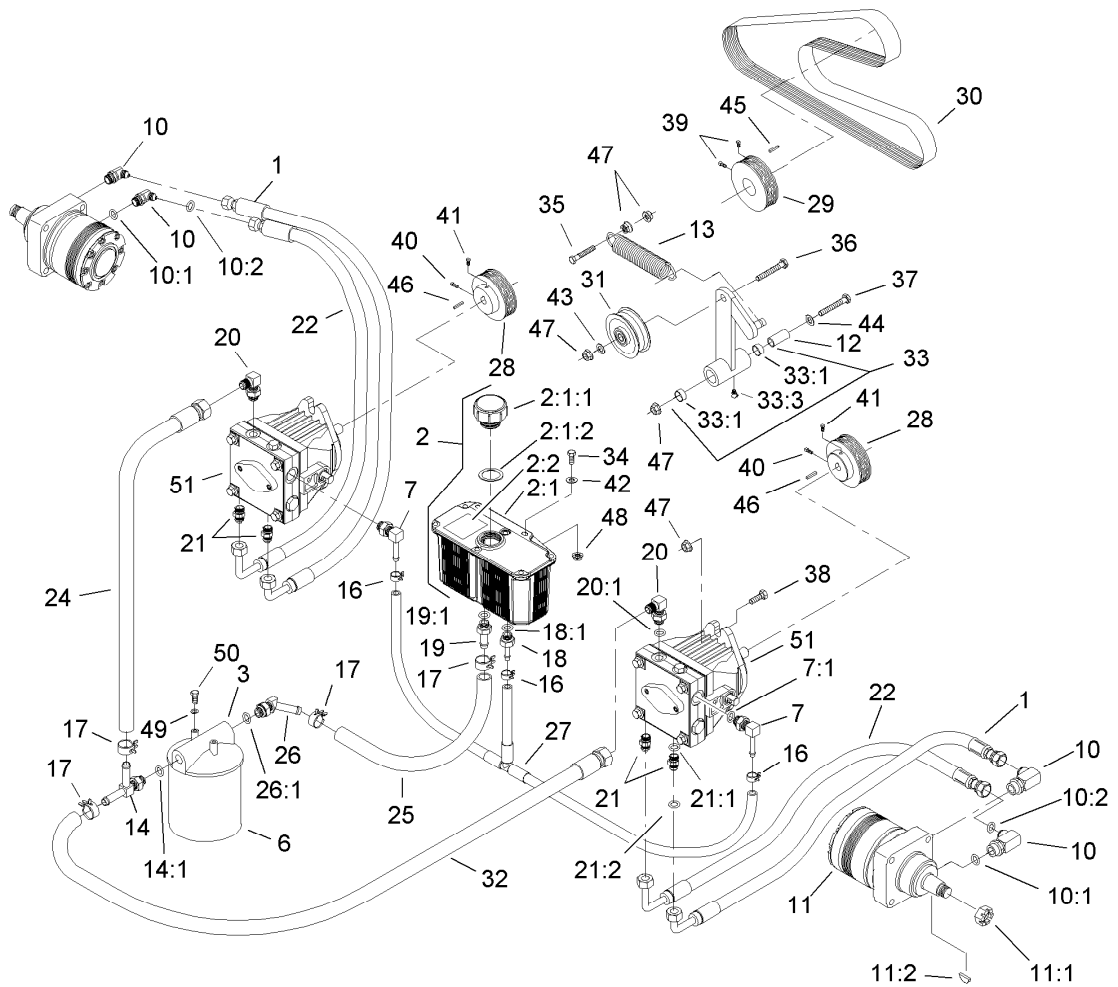


## Hydraulic System Assembly

| Ref.  | Part Number | Qty. | Description              | Ref. | Part Number | Qty. | Description            |
|-------|-------------|------|--------------------------|------|-------------|------|------------------------|
| 1     | 103-3734    | 2    | HYD Hose ASM             | 17   | 103-1988    | 4    | Clamp-Hose             |
| 2     | 103-1947    | 1    | HYD Reservoir ASM        | 18   | 103-1801    | 1    | Adapter-Straight       |
| 2:1   |             | 1    | Reservoir-HYD ■          | 18:1 | 237-42      | 1    | O-Ring                 |
| 2:1:1 | 103-1948    | 1    | Cap-Reservoir, HYD       | 19   | 103-1912    | 1    | Adapter-Straight       |
| 2:1:2 | 103-1949    | 1    | Gasket-Cap               | 19:1 | 237-42      | 1    | O-Ring                 |
| 2:2   | 1-523552    | 1    | Decal-Tank, HYD          | 20   | 103-1802    | 2    | Fitting-HYD, 90 DEG    |
| 3     | 104-7836    | 1    | Head-Filter              | 20:1 | 1-603921    | 1    | O-Ring                 |
| 6     | 1-633750    | 1    | Filter-Oil, HYD          | 21   | 1-603990    | 4    | Fitting-Straight       |
| 6     | 1-633752    | 1    | Filter-Oil, HYD (Winter) | 21:1 | 1-603920    | 1    | O-Ring                 |
| 7     | 103-1799    | 2    | Elbow-90 DEG             | 21:2 | 1-603992    | 1    | O-Ring                 |
| 7:1   | 237-42      | 1    | O-Ring                   | 22   | 103-1863    | 2    | Hose-Lower             |
| 10    | 1-633786    | 4    | Fitting-90 DEG           | 24   | 103-1826    | 1    | HYD Hose ASM           |
| 10:1  | 237-80      | 1    | O-Ring                   | 25   | 103-1808    | 1    | Hose-HYD               |
| 10:2  | 1-603992    | 1    | O-Ring                   | 26   | 103-1807    | 1    | Fitting-Barbed, 45 DEG |
| 11    | 103-6988    | 2    | Motor-Wheel              | 26:1 | 237-42      | 1    | O-Ring                 |
| 11:1  | 1-809036    | 1    | Nut-HH                   | 27   | 103-1806    | 1    | HYD Hose ASM           |
| 11:2  | 3257-42     | 1    | Key-Woodruff             | 28   | 103-6907    | 2    | Sheave                 |
| 11:99 | 103-2748    | 1    | Drive Link Kit ●         | 29   | 1-633567    | 1    | Sheave                 |
| 11:99 | 1-000139    | 1    | Bearing Kit ●            | 30   | 103-7445    | 1    | Belt-V                 |
| 11:99 | 1-000099    | 1    | Seal Kit ●               | 31   | 1-633167    | 1    | Sheave-Idler           |
| 12    | 1-603384    | 1    | Bushing-Pivot, Idler     | 32   | 103-1827    | 1    | HYD Hose ASM           |
| 13    | 103-3330    | 1    | Spring-Extension         | 33   | 1-634277    | 1    | Bearing Arm ASM        |
| 14    | 103-1828    | 1    | Adapter-Run, Tee         | 33:1 | 1-513034    | 2    | Sleeve-Bearing         |
| 14:1  | 237-42      | 1    | O-Ring                   | 33:3 | 302-40      | 1    | Fitting-Grease         |
| 16    | 103-1716    | 3    | Clamp-Hose               | 34   | 321-6       | 2    | Screw-HH               |

● Not illustrated

■ Not serviced separately

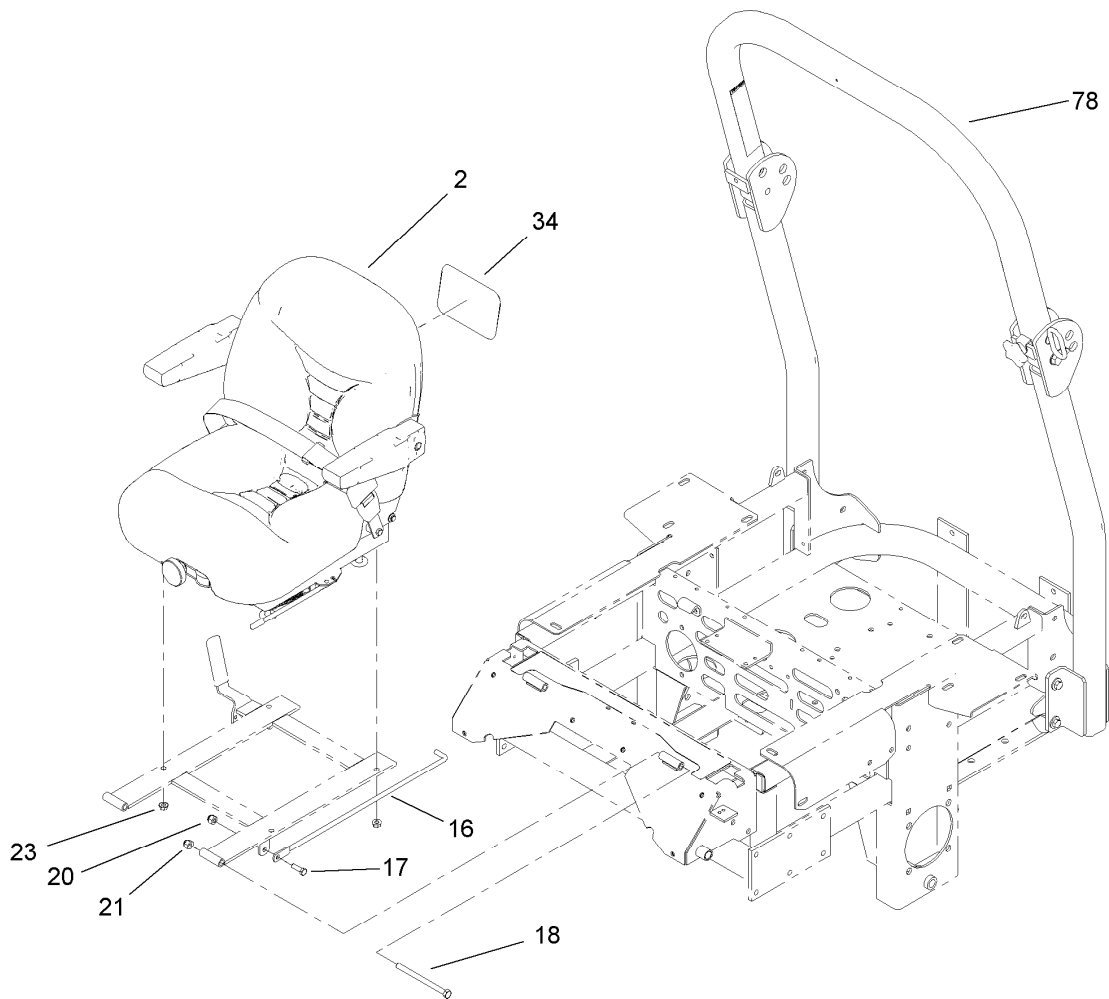


## Hydraulic System Assembly (continued)

| Ref. | Part Number | Qty. | Description | Ref. | Part Number | Qty. | Description                               |
|------|-------------|------|-------------|------|-------------|------|-------------------------------------------|
| 35   | 323-8       | 1    | Screw-HH    | 46   | 1-807272    | 2    | Key                                       |
| 36   | 323-9       | 1    | Screw-HH    | 47   | 3290-357    | 8    | Nut-HHF, Whiz                             |
| 37   | 1-800805    | 1    | Screw-HH    | 48   | 32128-33    | 2    | Nut-HF                                    |
| 38   | 323-7       | 4    | Screw-HH    | 49   | 1-805004    | 2    | Washer-Lock                               |
| 39   | 1-803022    | 2    | Screw-Set   | 50   | 321-3       | 2    | Screw-HH                                  |
| 40   | 30-1710     | 2    | Screw       | 51   | 103-7262    | 2    | Pump-HYD                                  |
| 41   | 1-803050    | 2    | Screw-Set   | 51:1 | 103-7441    | 1    | Bearing-Shaft, Input ●                    |
| 42   | 3256-22     | 2    | Washer-Flat | 51:2 | 103-7443    | 1    | Cylinder Block Kit ●                      |
| 43   | 3256-3      | 1    | Washer-Flat | 51:3 | 103-8448    | 1    | *obs* Thrust Bearing Kit (Xref 94-6922) ● |
| 44   | 3256-4      | 1    | Washer-Flat | 51:4 | 105-6184    | 1    | Seal Overhaul Kit ●                       |
| 45   | 13-2840     | 1    | Key-Square  |      |             |      |                                           |

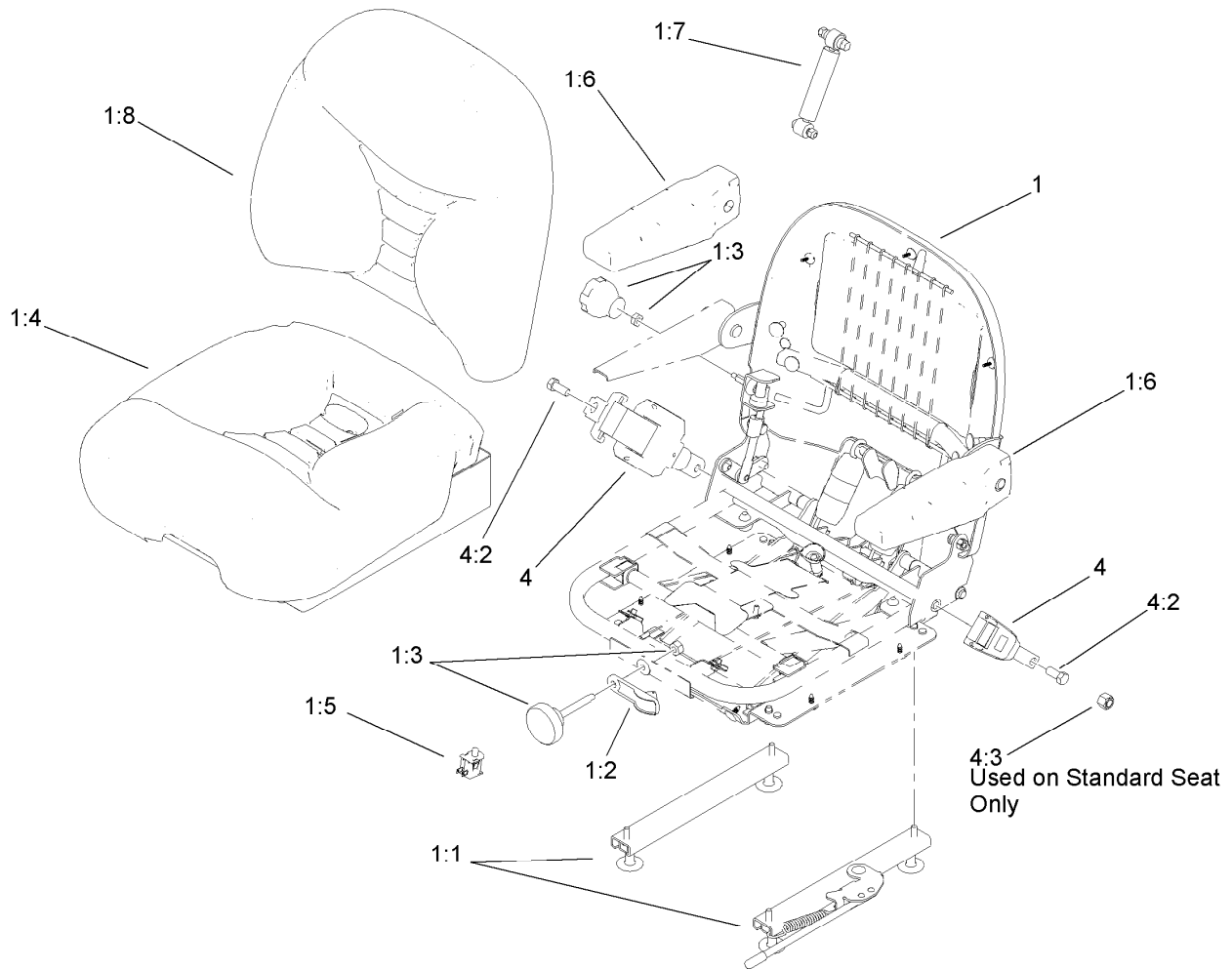
● Not illustrated

■ Not serviced separately



## Seat and Roll-Over-Protection-System Assembly

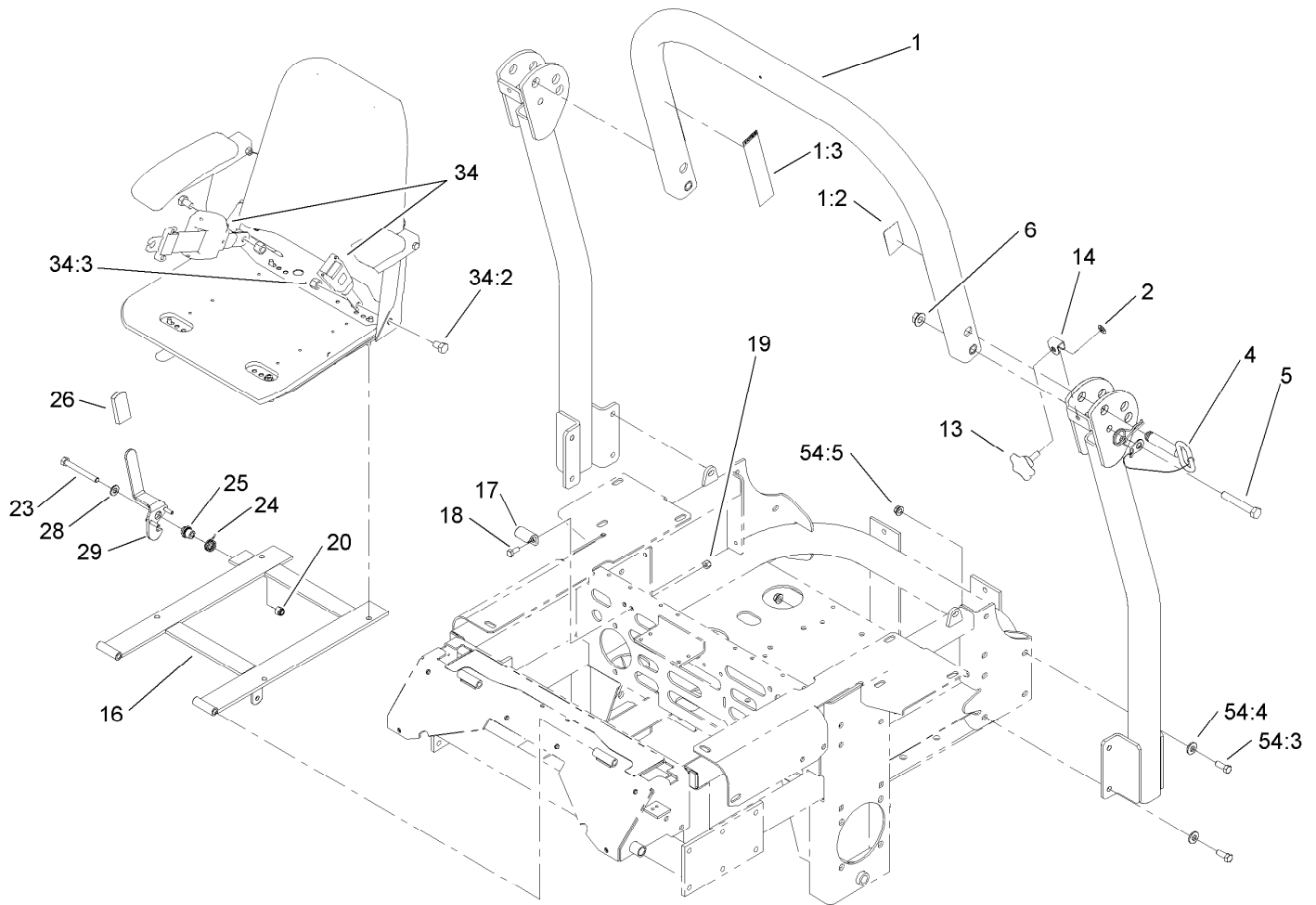
| <i>Ref.</i> | <i>Part Number</i> | <i>Qty.</i> | <i>Description</i> |
|-------------|--------------------|-------------|--------------------|
| 2           | 110-0838           | 1           | Deluxe Seat ASM    |
| 16          | 1-633293           | 1           | Rod-Holdup, Seat   |
| 17          | 322-5              | 1           | Screw-HH           |
| 18          | 323-39             | 2           | Screw-HH           |
| 20          | 3296-29            | 3           | Nut-Lock, NI       |
| 21          | 3296-39            | 3           | Nut-Lock, NI       |
| 23          | 32128-20           | 4           | Nut-HF             |
| 34          | 99-4693            | 1           | Decal              |
| 78          | 108-1097           | 1           | ROPS ASM           |



## Deluxe Seat Assembly No. 110-0838

| Ref. | Part Number | Qty. | Description              |
|------|-------------|------|--------------------------|
| 1    |             | 1    | Seat ASM ●               |
| 1:1  | 107-1880    | 1    | Seat Track Kit           |
| 1:2  | 107-1885    | 1    | Weight Indicator Kit     |
| 1:3  | 107-1881    | 1    | Knob Kit                 |
| 1:4  | 107-1883    | 1    | Bottom Cushion Kit       |
| 1:5  | 107-1886    | 1    | Switch Kit               |
| 1:6  | 107-1887    | 1    | Pad-Armrest              |
| 1:7  | 107-1884    | 1    | Shock Absorber Kit       |
| 1:8  | 107-1882    | 1    | Back Cushion Kit         |
| 4    | 110-0883    | 1    | Retractable Seatbelt Kit |
| 4:2  | 3212-4      | 2    | Screw-HH                 |
| 4:3  | 3296-7      | 2    | Nut-Lock                 |

● Not serviced separately

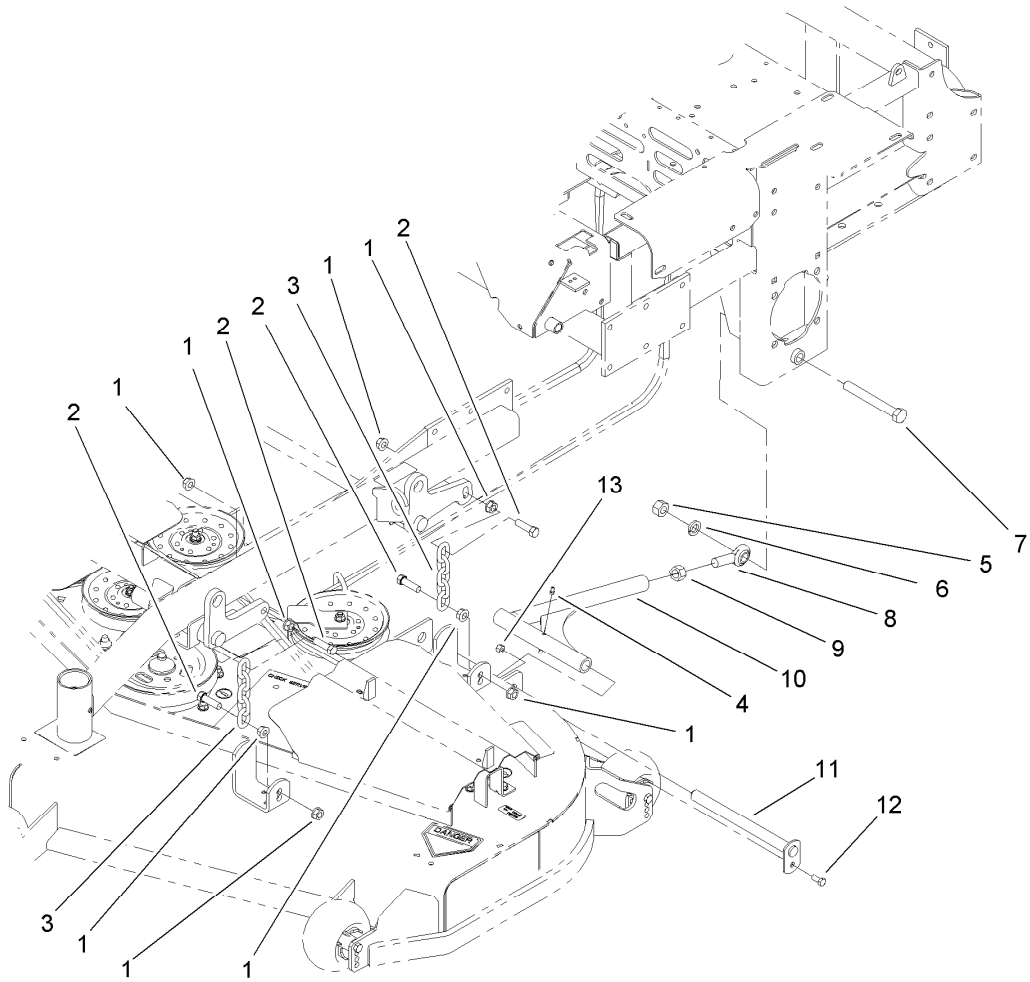


## Roll-Over-Protection-System Assembly No. 108-1097

| Ref. | Part Number | Qty. | Description                 | Ref. | Part Number | Qty. | Description              |
|------|-------------|------|-----------------------------|------|-------------|------|--------------------------|
| 1    |             | 1    | Upper Tube ASM ■            | 20   | 3296-39     | 1    | Nut-Lock, NI             |
| 1:2  | 107-2101    | 1    | Decal-ROPS                  | 23   | 323-20      | 1    | Screw-HH                 |
| 1:3  | 107-2102    | 1    | Decal-Warning, Folding ROPS | 24   | 107-0076    | 1    | Spring-Torsion           |
| 2    | 107-3154    | 2    | Nut-Push                    | 25   | 107-0075    | 1    | Bushing-Latch, Seat      |
| 4    | 103-4553    | 2    | Pin-Fold, ROPS              | 26   | 103-4434    | 1    | Grip-Lever               |
| 5    | 325-13      | 2    | Screw-HH                    | 28   | 3256-24     | 1    | Washer-Flat              |
| 6    | 32128-23    | 2    | Nut-HF                      | 29   | 107-3083    | 1    | Latch ASM                |
| 13   | 106-0887    | 2    | Knob                        | 34   | 110-0883    | 1    | Retractable Seatbelt Kit |
| 14   | 107-3124    | 2    | Clip                        | 34:2 | 3212-4      | 2    | Screw-HH                 |
| 16   | 107-3052-03 | 1    | Seat Support Frame ASM      | 34:3 | 3296-7      | 2    | Nut-Lock                 |
| 17   | 107-3058    | 1    | Catch-Latch, Seat           | 54   |             | 1    | Bag-Bolt, ROPS ● ■       |
| 18   | 322-3       | 2    | Screw-HH                    | 54:3 | 323-6       | 8    | Screw-HH                 |
| 19   | 3296-29     | 2    | Nut-Lock, NI                | 54:4 | 98-5975     | 8    | Washer-Belleville        |
|      |             |      |                             | 54:5 | 3290-357    | 8    | Nut-HHF, Whiz            |

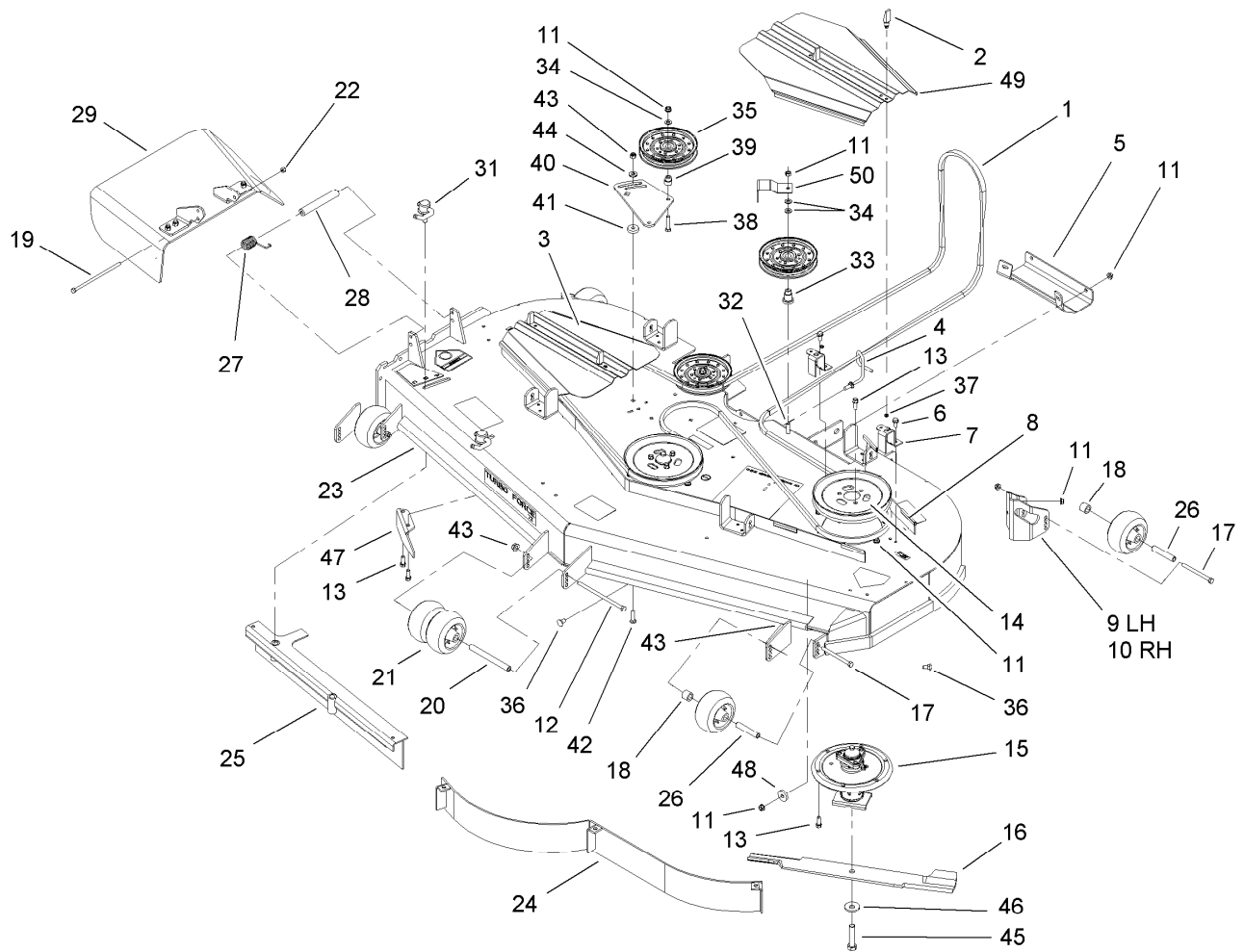
● Not illustrated

■ Not serviced separately



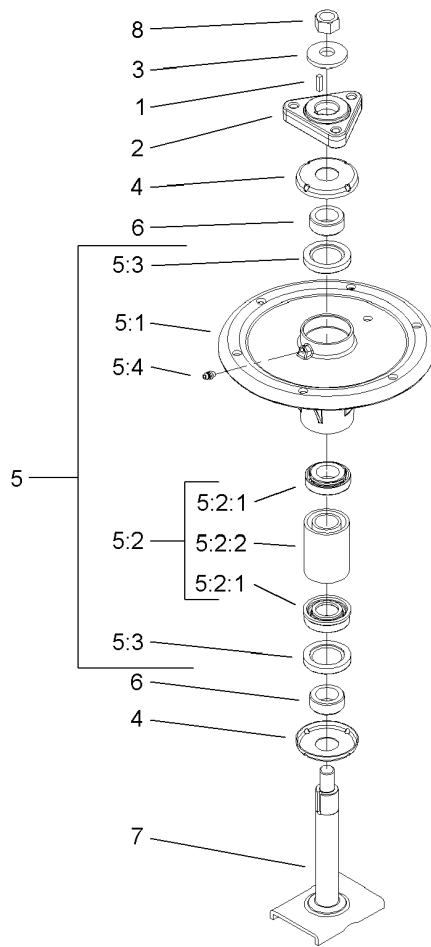
## Deck Connection Assembly

| <i>Ref.</i> | <i>Part Number</i> | <i>Qty.</i> | <i>Description</i>  |
|-------------|--------------------|-------------|---------------------|
| 1           | 32128-37           | 16          | Nut-HF              |
| 2           | 103-1898           | 8           | Screw-HH            |
| 3           | 1-633447           | 4           | Chain-Lift, Deck    |
| 4           | 302-19             | 4           | Fitting-Grease      |
| 5           | 3217-11            | 2           | Nut-Hex             |
| 6           | 3253-8             | 2           | Washer-Lock         |
| 7           | 327-11             | 2           | Screw-HH            |
| 8           | 1-633029           | 2           | Balljoint-Spherical |
| 9           | 3219-6             | 2           | Nut-Hex             |
| 10          | 103-1072-01        | 2           | Strut               |
| 11          | 1-632199-01        | 2           | Pin-Strut           |
| 12          | 322-3              | 2           | Screw-HH            |
| 13          | 3296-29            | 2           | Nut-Lock, NI        |



## Deck Assembly

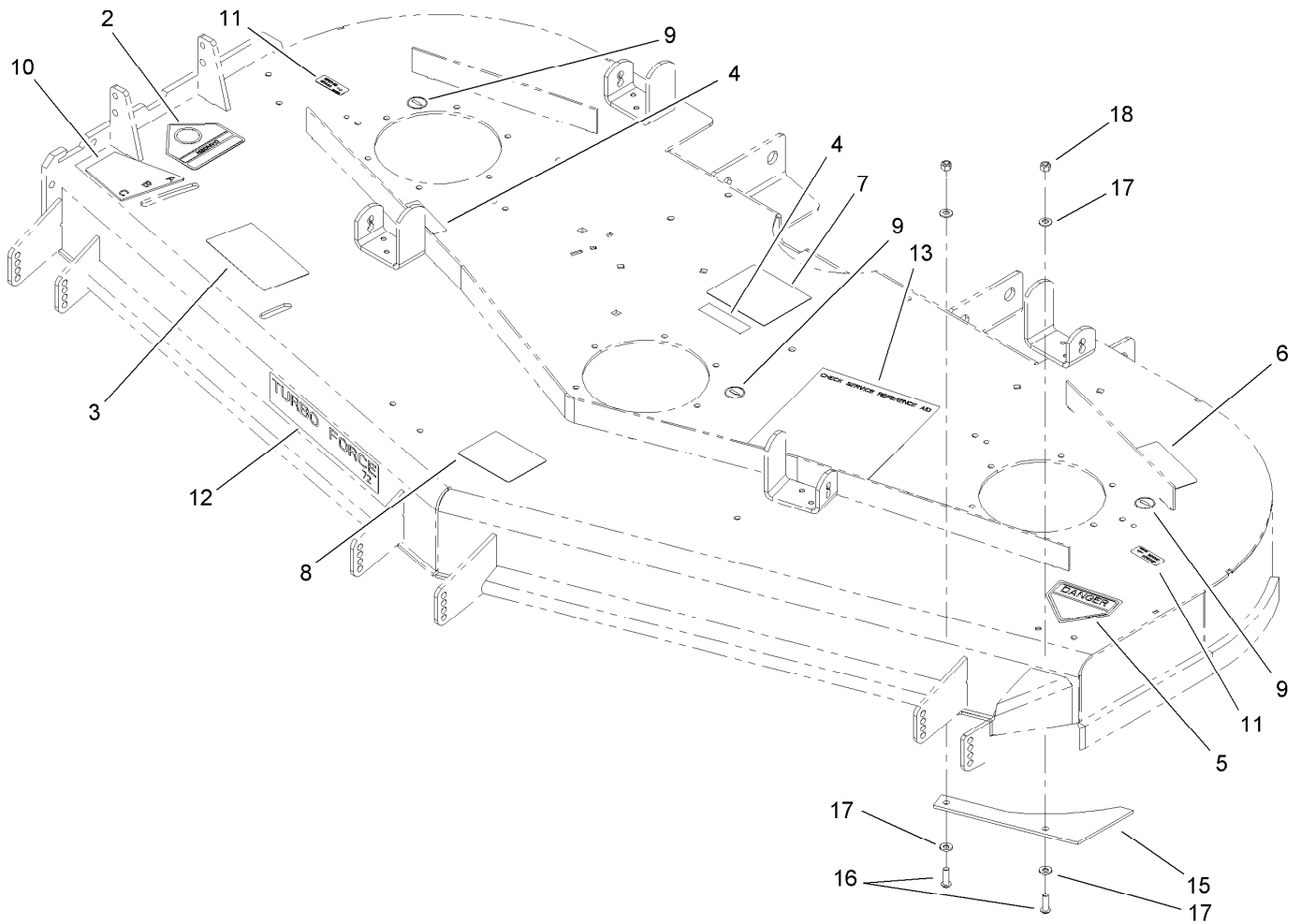
| Ref. | Part Number | Qty. | Description              | Ref. | Part Number | Qty. | Description              |
|------|-------------|------|--------------------------|------|-------------|------|--------------------------|
| 1    | 106-7350    | 1    | Belt                     | 26   | 98-7912     | 4    | Tube-Spanner             |
| 2    | 74-5950     | 4    | Latch-Swell              | 27   | 108-4052    | 1    | Spring-Torsion           |
| 3    | 105-8786-03 | 1    | Cover-Belt               | 28   | 105-4622    | 1    | Spacer                   |
| 4    | 106-3220    | 1    | Guide-Belt               | 29   | 108-2792    | 1    | Rubber Deflector ASM     |
| 5    | 106-3279-01 | 1    | Plate-Skid               | 31   | 107-1664    | 2    | Lever ASM                |
| 6    | 32144-70    | 4    | Screw-HWHTF              | 32   | 323-12      | 2    | Screw-HH                 |
| 7    | 108-4121-01 | 4    | Bracket-Cover            | 33   | 106-3214    | 2    | Mount-Pulley             |
| 8    | 105-7699    | 8    | Strip-Seal               | 34   | 3256-24     | 4    | Washer-Flat              |
| 9    | 106-7354-01 | 1    | Mount-Wheel, LH          | 35   | 1-633109    | 3    | Idler-Flat               |
| 10   | 106-7355-01 | 1    | Mount-Wheel, RH          | 36   | 3231-1      | 10   | Screw-CARR               |
| 11   | 3290-357    | 38   | Nut-HHF, Whiz            | 37   | 99-3058     | 4    | Washer                   |
| 12   | 323-28      | 1    | Screw-HH                 | 38   | 323-9       | 1    | Screw-HH                 |
| 13   | 92-1624     | 33   | Screw-HWH                | 39   | 1-603496    | 1    | Bushing-Idler            |
| 14   | 105-7733    | 3    | Pulley                   | 40   | 105-7787-01 | 1    | Plate-Idler              |
| 15   | 106-3217    | 3    | Spindle ASM              | 41   | 105-7788    | 2    | Spacer                   |
| 16   | 105-7784-03 | 3    | Blade-Hi Flow, 24.5 Inch | 42   | 3231-4      | 2    | Screw-CARR               |
| 17   | 323-23      | 4    | Screw-HH                 | 43   | 3296-39     | 7    | Nut-Lock, NI             |
| 18   | 98-7913     | 4    | Tube-Spacer              | 44   | 98-5975     | 1    | Washer-Belleville        |
| 19   | 322-50      | 1    | Screw-HH                 | 45   | 103-0862    | 3    | Screw-Cap                |
| 20   | 98-5967     | 1    | Spacer-Wheel             | 46   | 103-0865    | 3    | Washer-Blade Bolt, Heavy |
| 21   | 1-603299    | 6    | Roller-Scalp, Anti       | 47   | 106-3216-01 | 1    | Baffle-Discharge         |
| 22   | 3296-29     | 1    | Nut-Lock, NI             | 48   | 112843      | 1    | Washer                   |
| 23   | 107-1625    | 1    | Deck Decal ASM           | 49   | 106-3275-03 | 1    | Cover-Belt               |
| 24   | 105-7730-01 | 1    | Baffle                   | 50   | 108-7220-01 | 1    | Guide-Belt               |
| 25   | 105-7669-01 | 1    | Baffle                   |      |             |      |                          |



## Spindle Assembly No. 106-3217

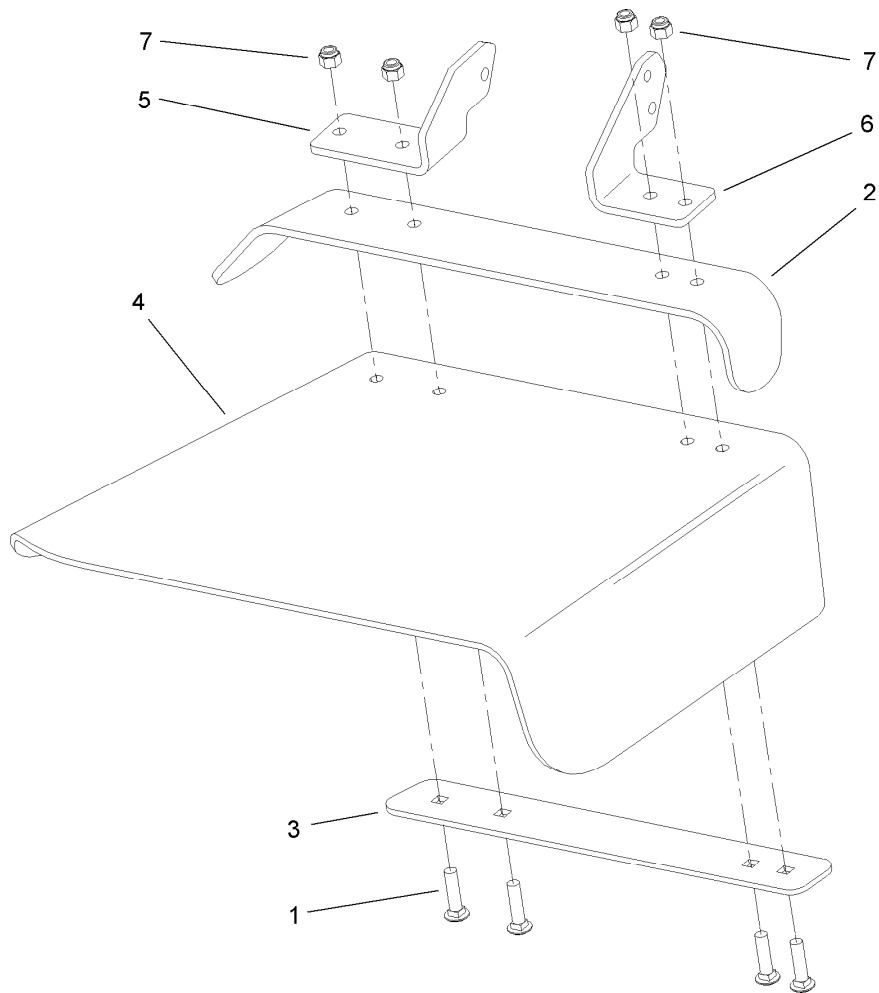
| <i>Ref.</i> | <i>Part Number</i> | <i>Qty.</i> | <i>Description</i>       |
|-------------|--------------------|-------------|--------------------------|
| 1           | 10-8040            | 1           | Key-Square               |
| 2           | 106-3277           | 1           | Hub-Pulley               |
| 3           | 103-0865           | 1           | Washer-Blade Bolt, Heavy |
| 4           | 106-3204           | 2           | Shield-Bearing           |
| 5           |                    | 1           | Spindle Bearing ASM ●    |
| 5:1         | 106-3211           | 1           | Housing-Spindle          |
| 5:2         | 106-3207           | 1           | Bearing ASM              |
| 5:2:1       | 27-0960            | 1           | Bearing ASM              |
| 5:2:2       | 106-3206           | 1           | Spacer (Matched Set)     |
| 5:3         | 253-133            | 2           | Seal-Oil                 |
| 5:4         | 302-5              | 1           | Fitting-Grease           |
| 6           | 106-3218           | 2           | Spacer-Seal              |
| 7           | 106-3233           | 1           | Spindle Shaft ASM        |
| 8           | 3219-6             | 1           | Nut-Hex                  |

● Not serviced separately



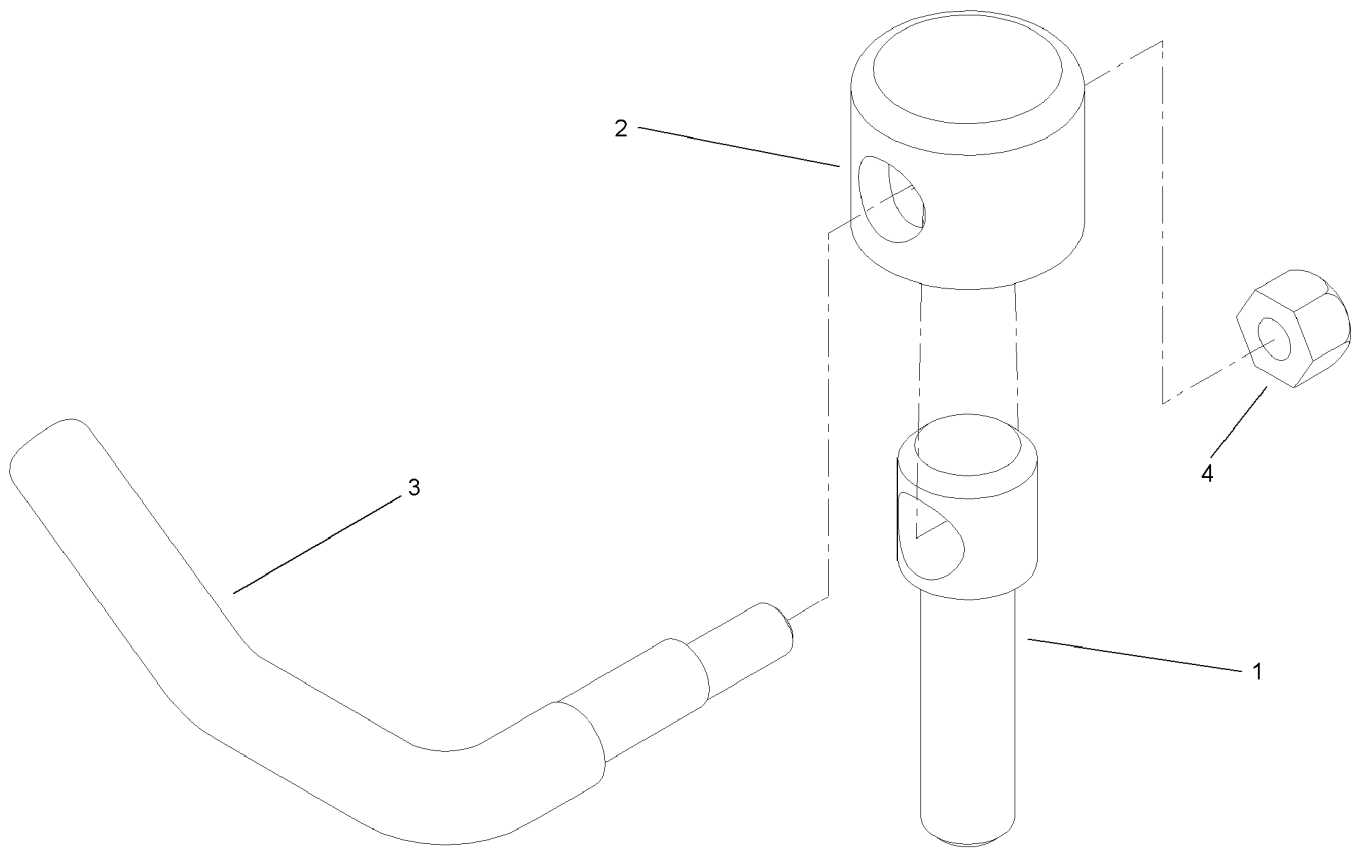
## Deck and Decal Assembly No. 107-1625

| <i>Ref.</i> | <i>Part Number</i> | <i>Qty.</i> | <i>Description</i>          |
|-------------|--------------------|-------------|-----------------------------|
| 2           | 54-9220            | 1           | Decal-Danger                |
| 3           | 66-1340            | 1           | Decal-Danger, Thrown Object |
| 4           | 98-5954            | 3           | Decal-Cover, Missing        |
| 5           | 1-403005           | 1           | Decal-Danger                |
| 6           | 68-8340            | 1           | Decal-Torque                |
| 7           | 105-7797           | 1           | Decal-Routing, Belt         |
| 8           | 105-7798           | 1           | Decal-Scalp, Anti           |
| 9           | 58-6520            | 3           | Decal-Grease                |
| 10          | 107-1622           | 1           | Decal-Adjustment, Baffle    |
| 11          | 107-1613           | 2           | Decal-Grease                |
| 12          | 107-1620           | 1           | Decal                       |
| 13          | 107-1621           | 1           | Decal-Service, Check        |
| 15          | 107-3138           | 1           | Plate-Turbo                 |
| 16          | 3274-104           | 2           | Screw-HSBH                  |
| 17          | 1-303334           | 4           | Washer-Spring               |
| 18          | 3296-29            | 2           | Nut-Lock, NI                |



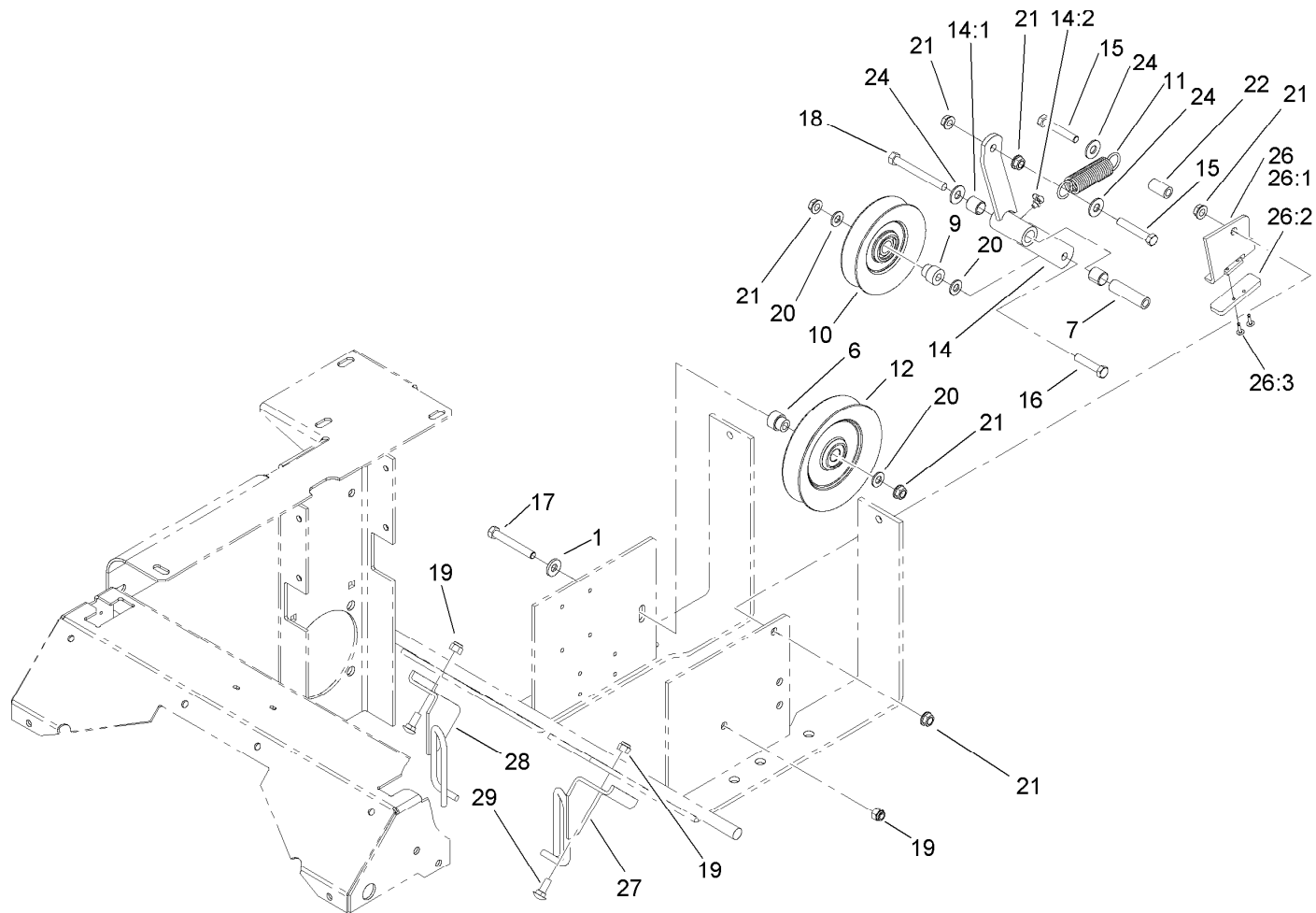
## Rubber Deflector Assembly No. 108-2792

| <i>Ref.</i> | <i>Part Number</i> | <i>Qty.</i> | <i>Description</i> |
|-------------|--------------------|-------------|--------------------|
| 1           | 3231-4             | 4           | Screw-CARR         |
| 2           | 106-3246-01        | 1           | Deflector          |
| 3           | 106-3248-03        | 1           | Strap-Discharge    |
| 4           | 108-5029           | 1           | Deflector-Rubber   |
| 5           | 108-4059-01        | 1           | Plate-Hinge, Rear  |
| 6           | 106-3253-01        | 1           | Plate-Hinge, Front |
| 7           | 3296-39            | 4           | Nut-Lock, NI       |



## Lever Assembly No. 106-3242

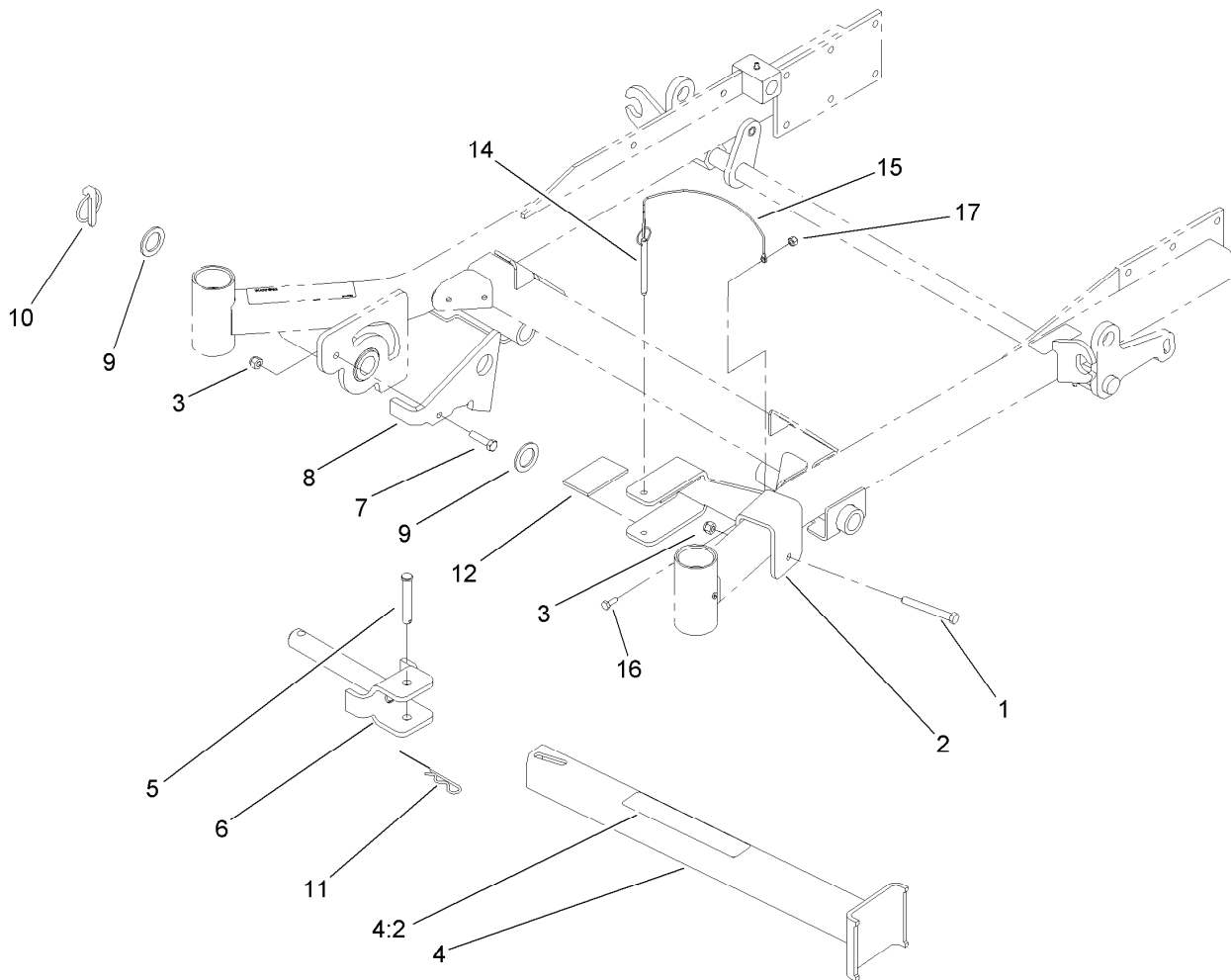
| <i>Ref.</i> | <i>Part Number</i> | <i>Qty.</i> | <i>Description</i> |
|-------------|--------------------|-------------|--------------------|
| 1           | 106-3239           | 1           | Screw-Lock         |
| 2           | 107-1644           | 1           | Cap-Lock           |
| 3           | 106-3241           | 1           | Lever-Lock         |
| 4           | 3296-29            | 1           | Nut-Lock, NI       |



## Drive Idler Assembly

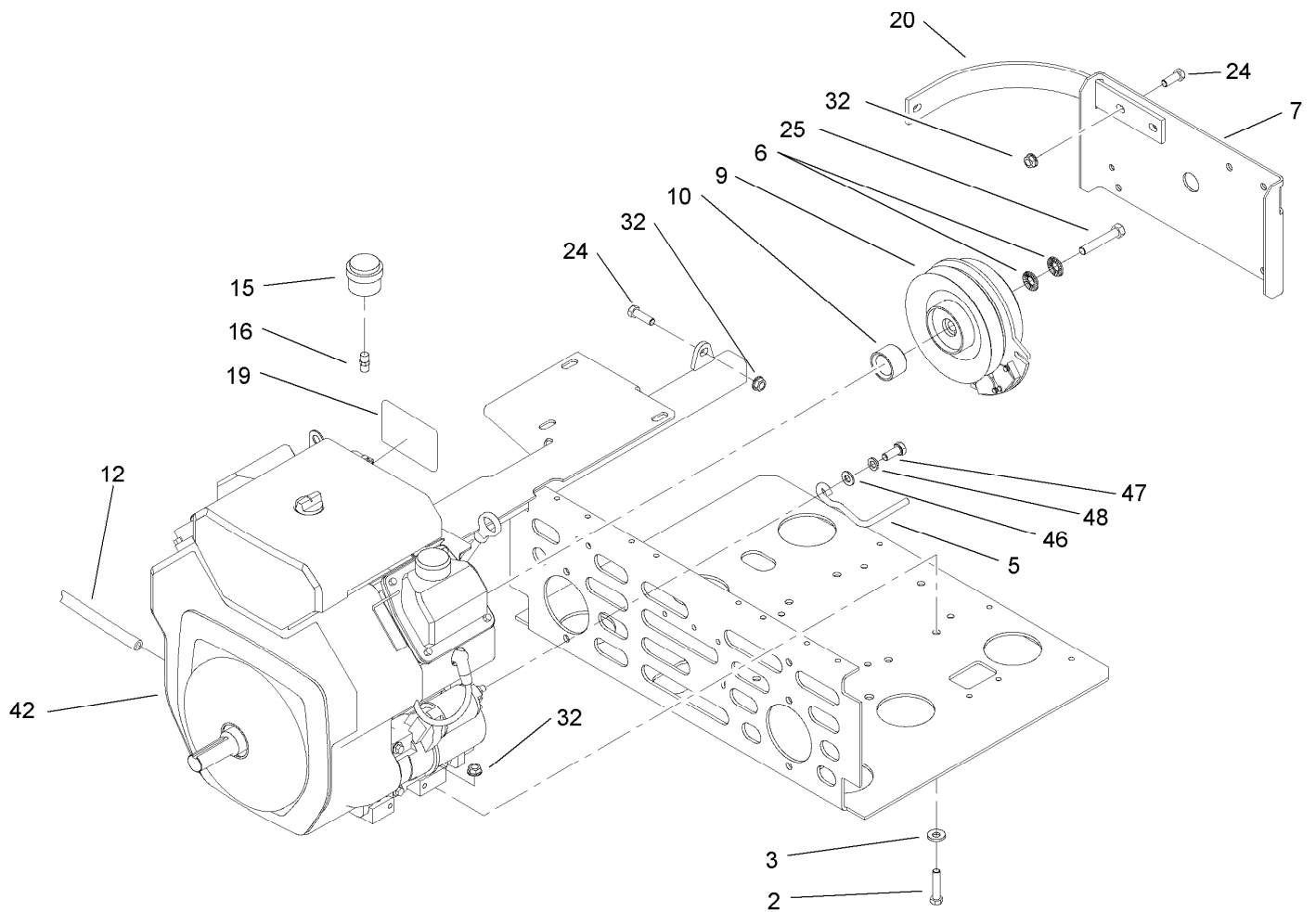
| <i>Ref.</i> | <i>Part Number</i> | <i>Qty.</i> | <i>Description</i>   |
|-------------|--------------------|-------------|----------------------|
| 1           | 98-5975            | 1           | Washer-Belleville    |
| 6           | 103-2627           | 1           | Bushing-Idler        |
| 7           | 1-603384           | 1           | Bushing-Pivot, Idler |
| 9           | 1-603496           | 1           | Bushing-Idler        |
| 10          | 99-4638            | 1           | Idler                |
| 11          | 1-603402           | 1           | Spring-Extension     |
| 12          | 1-633166           | 1           | Pulley-Idler         |
| 14          | 103-3147           | 1           | Arm ASM              |
| 14:1        | 1-513034           | 2           | Sleeve-Bearing       |
| 14:2        | 302-40             | 1           | Fitting-Grease       |
| 15          | 323-12             | 2           | Screw-HH             |
| 16          | 323-9              | 1           | Screw-HH             |
| 17          | 323-13             | 1           | Screw-HH             |

| <i>Ref.</i> | <i>Part Number</i> | <i>Qty.</i> | <i>Description</i>    |
|-------------|--------------------|-------------|-----------------------|
| 18          | 1-800805           | 1           | Screw-HH              |
| 19          | 3296-39            | 3           | Nut-Lock, NI          |
| 20          | 3256-24            | 3           | Washer-Flat           |
| 21          | 3290-357           | 6           | Nut-HHF, Whiz         |
| 22          | 1-603401           | 1           | Spacer-Fender         |
| 24          | 3256-4             | 3           | Washer-Flat           |
| 26          | 106-3271           | 1           | Travel Limiter ASM    |
| 26:1        | 106-3228-03        | 1           | Plate-Limiter, Pulley |
| 26:2        | 106-3229           | 1           | Pad-Bumper            |
| 26:3        | 3269-24            | 2           | Rivet                 |
| 27          | 108-7204-03        | 1           | Guide-Belt, LH        |
| 28          | 108-7229-03        | 1           | Guide-Belt, RH        |
| 29          | 3231-2             | 2           | Bolt-CARR             |



## Z-Stand Assembly

| <i>Ref.</i> | <i>Part Number</i> | <i>Qty.</i> | <i>Description</i>    |
|-------------|--------------------|-------------|-----------------------|
| 1           | 323-20             | 1           | Screw-HH              |
| 2           | 100-6542-01        | 1           | Bracket-Cradle        |
| 3           | 3296-39            | 2           | Nut-Lock, NI          |
| 4           | 107-1874           | 1           | Leg ASM               |
| 4:2         | 106-7464           | 1           | Decal-Z Stand         |
| 5           | 283-55             | 1           | Pin-Clevis            |
| 6           | 100-9692-01        | 1           | Pin-Pivot             |
| 7           | 323-8              | 1           | Screw-HH              |
| 8           | 100-9686-01        | 1           | Bracket-Latch         |
| 9           | 3-6781             | 2           | Washer-Thrust         |
| 10          | 283-71             | 1           | Pin-Lynch             |
| 11          | 3290-355           | 1           | Pin-Hair              |
| 12          | 100-6547           | 2           | Cushion-Rubber        |
| 14          | 105-1647           | 1           | Pin-Hitch, Cotterless |
| 15          | 100-9385           | 1           | Lanyard-Nylon         |
| 16          | 321-4              | 1           | Screw-HH              |
| 17          | 3296-42            | 1           | Nut-Lock, NI          |

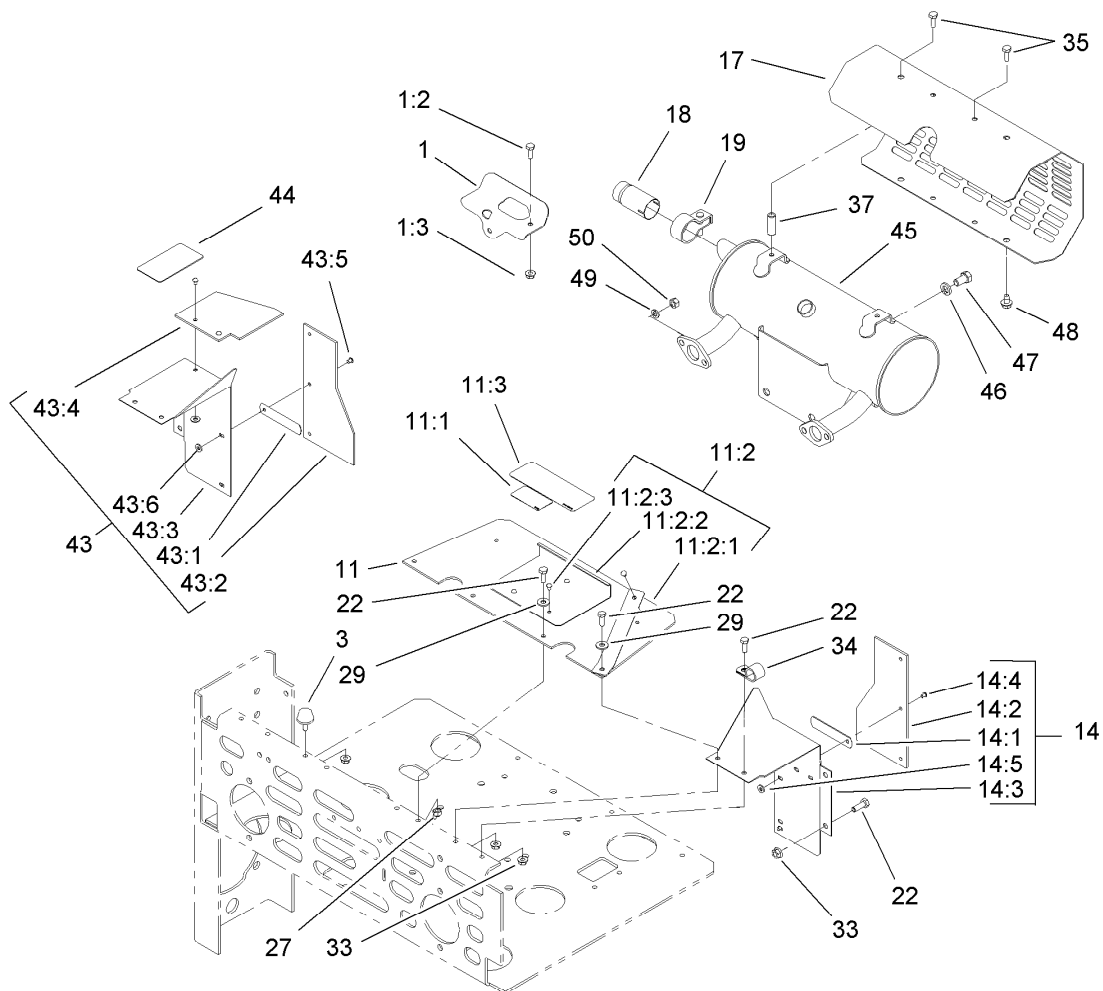


## Engine and Clutch Assembly

| Ref. | Part Number | Qty. | Description                  |
|------|-------------|------|------------------------------|
| 2    | 323-9       | 4    | Screw-HH                     |
| 3    | 98-5975     | 4    | Washer-Belleville            |
| 5    | 52-4780     | 1    | Rod-Belt                     |
| 6    | 1-603610    | 2    | Washer-Spring                |
| 7    | 1-633615-03 | 1    | Guard-Clutch                 |
| 9    | 103-6579    | 1    | Clutch                       |
| 10   | 1-633179    | 1    | Spacer-Clutch                |
| 12   | 106-7022    | 1    | Tube-Drain, Oil              |
| 15   | 104-7755    | 1    | Indicator-Filter, Air        |
| 16   | 94-1416     | 1    | Adapter-Indicator            |
| 19   | 103-3270    | 1    | Decal                        |
| 20   | 103-7454-03 | 2    | Strap-Guard                  |
| 24   | 323-6       | 6    | Screw-HH                     |
| 25   | 3212-10     | 1    | Screw-HH                     |
| 32   | 3290-357    | 4    | Nut-HHF, Whiz                |
| 42   |             | 1    | Engine-Kohler, Ch745-0012 ●■ |
| 46   | 3256-24     | 1    | Washer-Flat                  |
| 47   | 323-6       | 1    | Screw-HH                     |
| 48   | 98-5975     | 1    | Washer-Belleville            |

● Not serviced separately

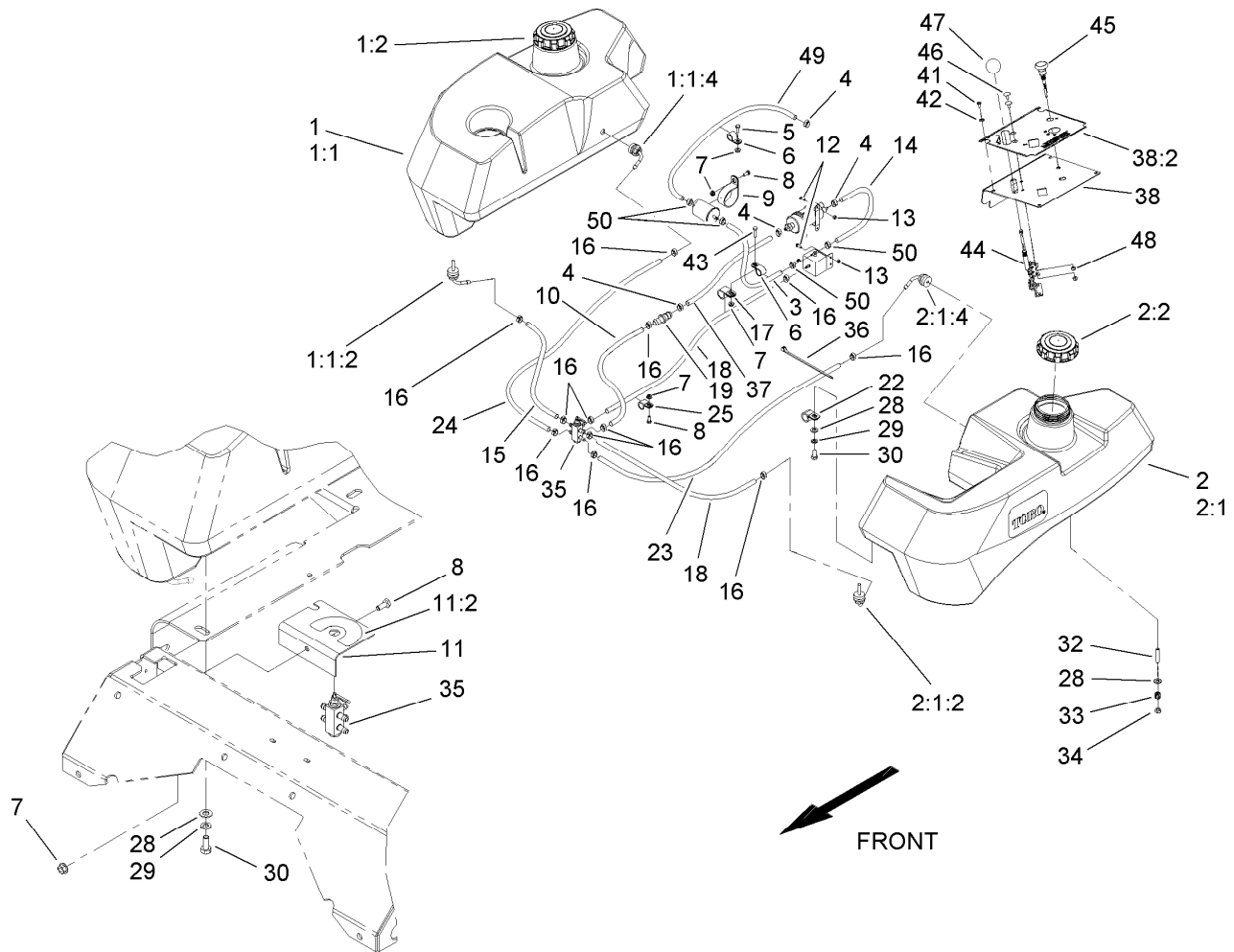
■ Obtain parts from [www.kohlerplus.com](http://www.kohlerplus.com)



## Muffler and Guard Assembly

| Ref.   | Part Number | Qty. | Description              |
|--------|-------------|------|--------------------------|
| 1      | 103-3535    | 1    | Cable Heat Shield Kit    |
| 1:2    | 321-4       | 1    | Screw-HH                 |
| 1:3    | 32128-33    | 1    | Nut-HF                   |
| 3      | 1-523420    | 2    | Bumper                   |
| 11     | 1-644276    | 1    | Shield ASM               |
| 11:1   | 1-633462    | 1    | Decal-Important          |
| 11:2   | 1-634308    | 1    | Shield And Lift ASM      |
| 11:2:1 | 103-1308    | 1    | Shield-Engine            |
| 11:2:2 | 1-633300-03 | 1    | Lift-Shield              |
| 11:2:3 | 1-803035    | 3    | Rivet-Pop                |
| 11:3   | 103-5881    | 1    | Decal-Devices, Rotating  |
| 14     | 1-634796    | 1    | LH Shield ASM            |
| 14:1   | 1-523285    | 1    | Clip-Baffle, Rear        |
| 14:2   | 1-633301    | 1    | Shield-Engine            |
| 14:3   | 1-633795-03 | 1    | Baffle-Engine Shield, LH |
| 14:4   | 1-803035    | 3    | Rivet-Pop                |
| 14:5   | 3256-63     | 3    | Washer-Flat              |
| 17     | 1-643313-03 | 1    | Guard-Muffler            |
| 18     | 103-1513    | 1    | Arrester-Spark           |
| 19     | 103-1514    | 1    | Clamp-Muffler            |
| 22     | 321-4       | 10   | Screw-HH                 |

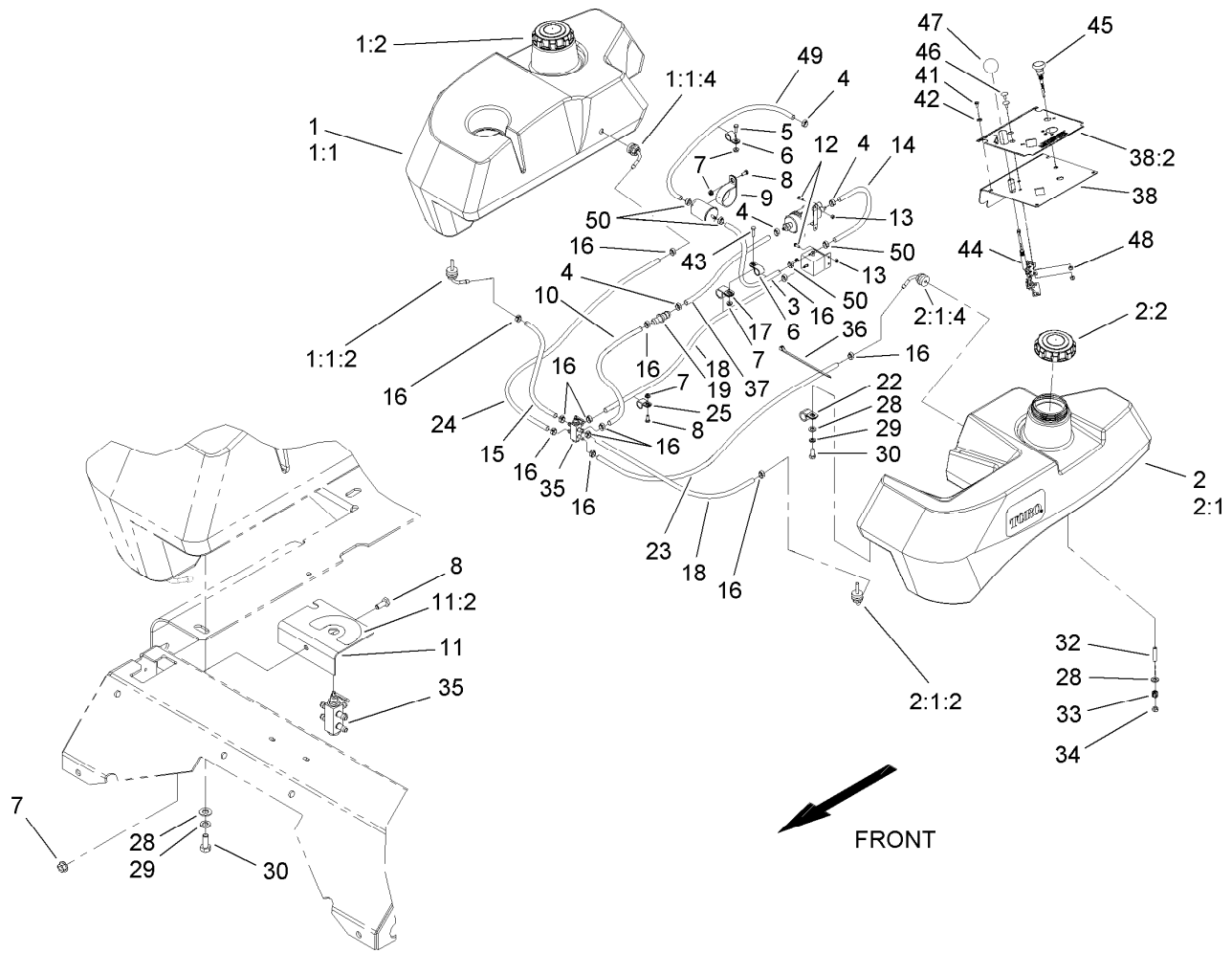
| Ref. | Part Number | Qty. | Description           |
|------|-------------|------|-----------------------|
| 27   | 3296-42     | 5    | Nut-Lock, NI          |
| 29   | 3256-2      | 4    | Washer-Flat           |
| 33   | 32128-33    | 9    | Nut-HF                |
| 34   | 1-633396    | 1    | Clip-Loom             |
| 35   | 1-809108    | 2    | Screw-HWH             |
| 37   | 1-323236    | 2    | Spacer                |
| 43   | 1-644316    | 1    | RH Shield ASM         |
| 43:1 | 1-523285    | 1    | Clip-Baffle, Rear     |
| 43:2 | 1-633301    | 1    | Shield-Engine         |
| 43:3 | 1-633794-03 | 1    | Shield-RH             |
| 43:4 | 1-643315    | 1    | Baffle-Cooler, Engine |
| 43:5 | 1-803035    | 5    | Rivet-Pop             |
| 43:6 | 3256-63     | 5    | Washer-Flat           |
| 44   | 1-643339    | 1    | Decal-Routing, Belt   |
| 45   | 103-7481    | 1    | Muffler               |
| 46   | 3253-6      | 2    | Washer-Lock           |
| 47   | 324-2       | 2    | Screw-HH              |
| 48   | 9266934     | 2    | Screw                 |
| 49   | 1-805005    | 4    | Washer-Lock           |
| 50   | 33014-00    | 4    | Nut-Hex               |



## Fuel Assembly

| Ref.  | Part Number | Qty. | Description            | Ref. | Part Number | Qty. | Description                |
|-------|-------------|------|------------------------|------|-------------|------|----------------------------|
| 1     | 105-3641    | 1    | RH Fuel Tank Kit ASM   | 17   | 1-643312    | 1    | Clip-Loom                  |
| 1:1   |             | 1    | Tank-Fuel, RH ●        | 18   | 63-7722     | 2    | Hose-Fuel                  |
| 1:1:2 | 103-2605    | 1    | Fitting-Fuel, Bulkhead | 19   | 103-2595    | 1    | Connector                  |
| 1:1:4 | 103-2615    | 1    | Fitting-Fuel, Bulkhead | 22   | 103-0373    | 1    | Clip                       |
| 1:2   | 109-0346    | 1    | Cap-Fuel, Gas          | 23   | 107-1889    | 1    | Hose-Fuel                  |
| 2     | 105-3642    | 1    | LH Fuel Tank Kit ASM   | 24   | 99-7191     | 1    | Hose-Fuel                  |
| 2:1   |             | 1    | Tank-Fuel, LH ●        | 25   | 1-513762    | 3    | Clip-Loom                  |
| 2:1:2 | 103-2605    | 1    | Fitting-Fuel, Bulkhead | 28   | 3256-23     | 8    | Washer-Flat                |
| 2:1:4 | 103-2615    | 1    | Fitting-Fuel, Bulkhead | 29   | 1-805005    | 2    | Washer-Lock                |
| 2:2   | 109-0346    | 1    | Cap-Fuel, Gas          | 30   | 322-3       | 2    | Screw-HH                   |
| 3     | 103-8279    | 1    | Hose, Fuel             | 32   | 1-633023    | 6    | Stud                       |
| 4     | 1-643277    | 4    | Clamp-Hose, Fuel       | 33   | 1-633349    | 6    | Spring-Tank, Fuel          |
| 5     | 321-4       | 1    | Screw-HH               | 34   | 3296-47     | 6    | Nut-Lock, NI               |
| 6     | 1-603727    | 2    | Clip-Loom              | 35   | 1-643234    | 1    | Valve-Fuel, Dual Flow      |
| 7     | 32128-33    | 5    | Nut-HF                 | 36   | 1-303287    | 6    | Tie-Cable                  |
| 8     | 321-3       | 4    | Screw-HH               | 37   | 93-5484     | 1    | Hose-Fuel                  |
| 9     | 1-643241    | 1    | Clip-Loom              | 38   | 110-3886    | 1    | Control Panel ASM          |
| 10    | 99-7190     | 1    | Hose-Fuel              | 38:2 | 110-5721    | 1    | Decal-Panel, Control       |
| 11    | 107-2115    | 1    | Fuel Valve Bracket Asm | 41   | 3251-1      | 4    | Screw-PPH                  |
| 11:2  | 107-2114    | 1    | Decal-Valve, Fuel      | 42   | 1-303435    | 4    | Washer-Spring              |
| 12    | 3290-500    | 6    | Screw-PPH              | 43   | 321-6       | 1    | Screw-HH                   |
| 13    | 3296-2      | 6    | Nut-Lock, NI           | 44   | 110-5717    | 1    | Cable-Throttle             |
| 14    | 103-2490    | 1    | Hose-Fuel              | 45   | 110-5720    | 1    | Control-Choke, Push / Pull |
| 15    | 103-2944    | 1    | Hose-Fuel              | 46   | 1-807513    | 2    | Bolt-CARR                  |
| 16    | 1-643293    | 12   | Clamp-Hose, Fuel       | 47   | 1-603175    | 1    | Knob-Ball                  |

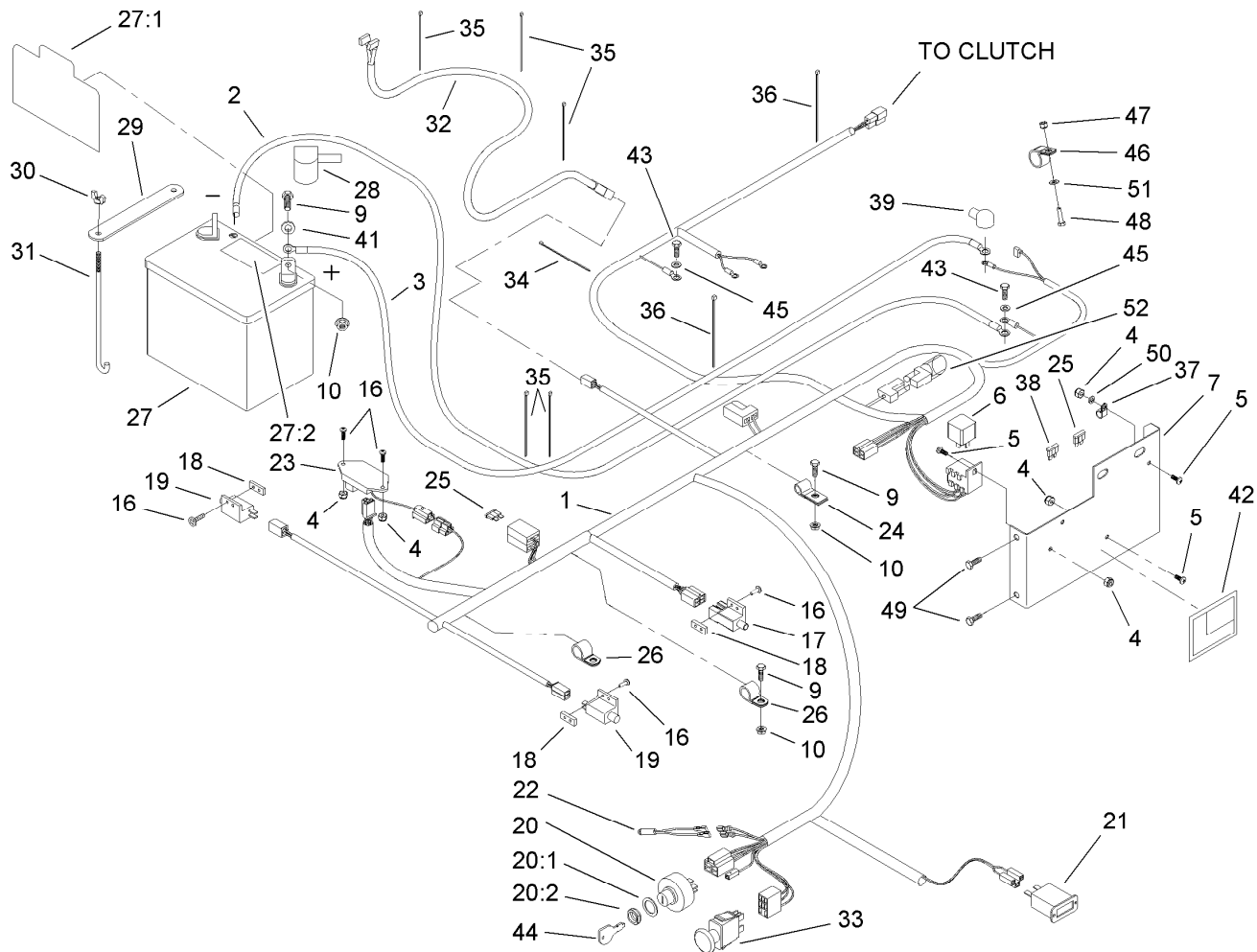
● Not serviced separately



## Fuel Assembly (continued)

| Ref. | Part Number | Qty. | Description  | Ref. | Part Number | Qty. | Description |
|------|-------------|------|--------------|------|-------------|------|-------------|
| 48   | 3296-2      | 2    | Nut-Lock, NI | 49   | 103-5863    | 1    | Hose-Fuel   |
|      |             |      |              | 50   | 103-6711    | 4    | Clamp       |

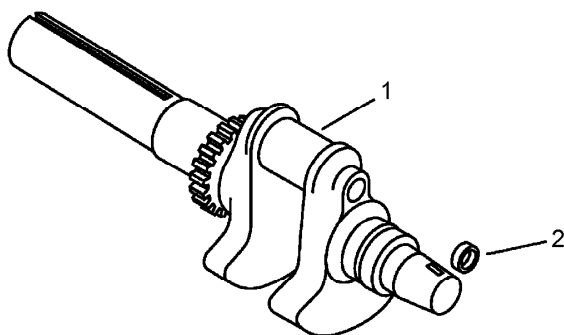
● Not serviced separately



## Electrical Assembly

| Ref. | Part Number | Qty. | Description             | Ref. | Part Number | Qty. | Description               |
|------|-------------|------|-------------------------|------|-------------|------|---------------------------|
| 1    | 106-7495    | 1    | Harness-Wire            | 28   | 1-543391    | 1    | Insulator-Battery         |
| 2    | 1-633307    | 1    | Wire-Ground             | 29   | 107-9277    | 1    | Strap-Holddown, Battery   |
| 3    | 1-523279    | 1    | Wire-Battery, Positive  | 30   | 1-543792    | 2    | Wingnut                   |
| 4    | 3296-2      | 8    | Nut-Lock, NI            | 31   | 1-633651    | 2    | Bolt-Holddown             |
| 5    | 3251-1      | 4    | Screw-PPH               | 32   | 103-1227    | 1    | Harness-Wiring, Seat      |
| 6    | 1-643275    | 2    | Relay                   | 33   | 103-5221    | 1    | Switch-PTO                |
| 7    | 103-7455-03 | 1    | Panel-Efi               | 34   | 1-303287    | 2    | Tie-Cable                 |
| 9    | 321-4       | 6    | Screw-HH                | 35   | 1-303335    | 5    | Tie-Plastic               |
| 10   | 32128-33    | 6    | Nut-HF                  | 36   | 1-643115    | 2    | Tie-Plastic               |
| 16   | 3290-500    | 6    | Screw-PPH               | 37   | 1-323229    | 1    | Clip-Loom                 |
| 17   | 1-633111    | 1    | Switch                  | 38   | 1-816002    | 1    | Fuse-Blade Type, 10 Amp   |
| 18   | 1-633181    | 3    | Plate-Tapped            | 39   | 1-543393    | 1    | Insulator-Solenoid        |
| 19   | 1-513051    | 2    | Switch-Open, Normally   | 41   | 3256-2      | 2    | Washer-Flat               |
| 20   | 88-9830     | 1    | Key Switch ASM          | 42   | 103-2750    | 1    | Decal-Relay / Fuse        |
| 20:1 | 3254-5      | 1    | Washer-Tooth, Internal  | 43   | 33114-016   | 2    | Screw-HH                  |
| 20:2 | 218-461     | 1    | Nut-HH                  | 44   | 63-8360     | 2    | Key-Ignition (W/Shield)   |
| 21   | 1-513374    | 1    | Meter-Hour              | 45   | 3256-23     | 2    | Washer-Flat               |
| 22   | 1-643267    | 1    | Indicator-Led, Red      | 46   | 1-643312    | 1    | Clip-Loom                 |
| 23   | 100-6186    | 1    | Module-Delay, Seat      | 47   | 3296-42     | 1    | Nut-Lock, NI              |
| 24   | 1-513762    | 2    | Clip-Loom               | 48   | 321-6       | 1    | Screw-HH                  |
| 25   | 1-816001    | 2    | Fuse-Blade Type, 20 Amp | 49   | 32105-20    | 2    | Screw-HH                  |
| 26   | 103-0373    | 1    | Clip                    | 50   | 3256-14     | 2    | Washer-Flat               |
| 27   | 105-1692    | 1    | Battery                 | 51   | 3256-22     | 2    | Washer-Flat               |
| 27:1 | 104-4163    | 1    | Decal-Battery           | 52   | 103-3895    | 1    | Diode-Tvs                 |
| 27:2 | 104-4164    | 1    | Decal-Battery           | 99   | 1-816003    | 1    | Fuse-Blade Type, 30 Amp ● |

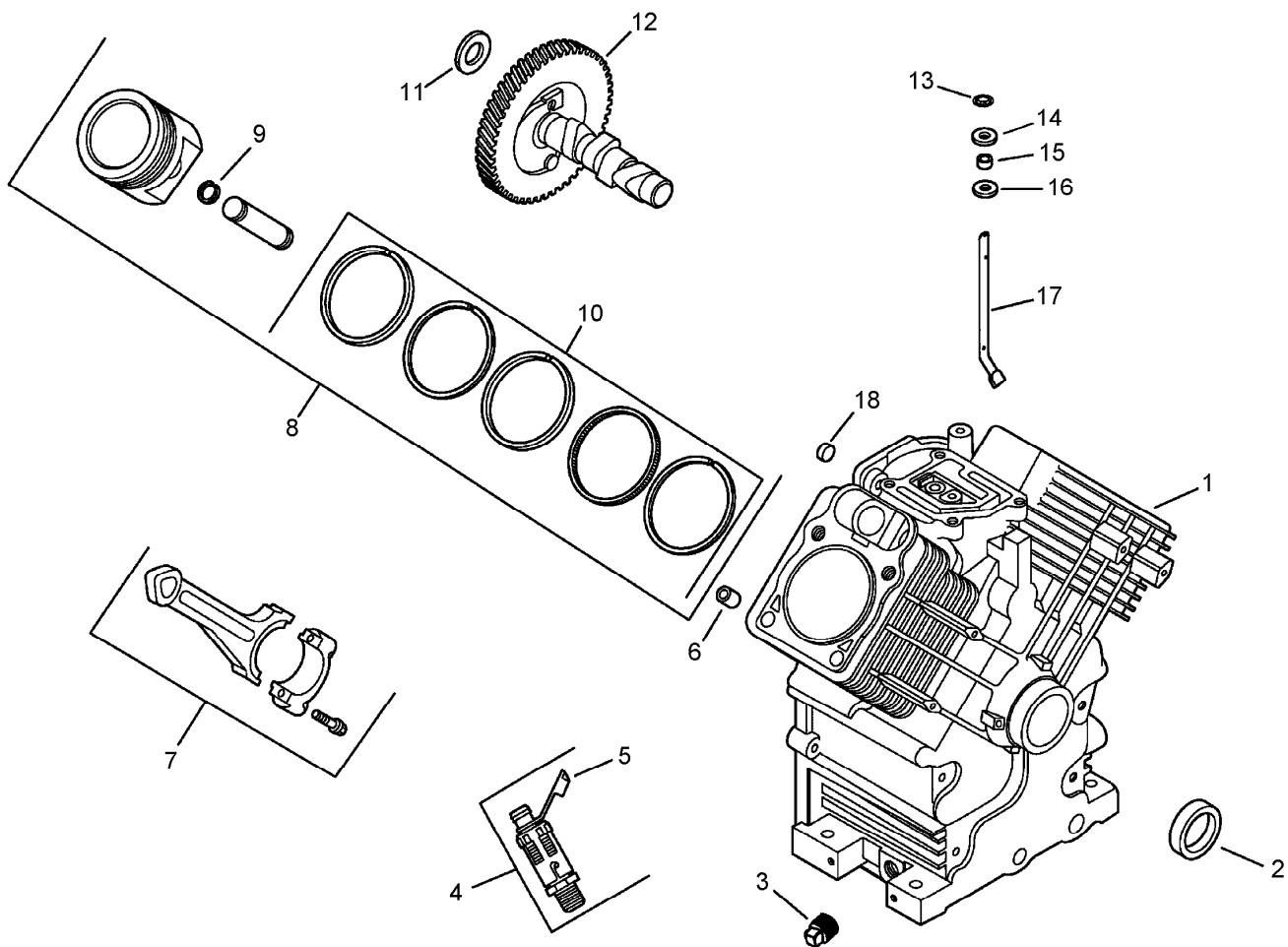
● Not illustrated



## Crankshaft Assembly Kohler CH745-0012

| <i>Ref.</i> | <i>Part Number</i> | <i>Qty.</i> | <i>Description</i>        |
|-------------|--------------------|-------------|---------------------------|
| 1           | 24 014 06-S        | 1           | Crankshaft (Includes 2) ● |
| 2           | 52 139 09-S        | 1           | Plug-Cup ●                |

● Obtain parts from [www.kohlerplus.com](http://www.kohlerplus.com)

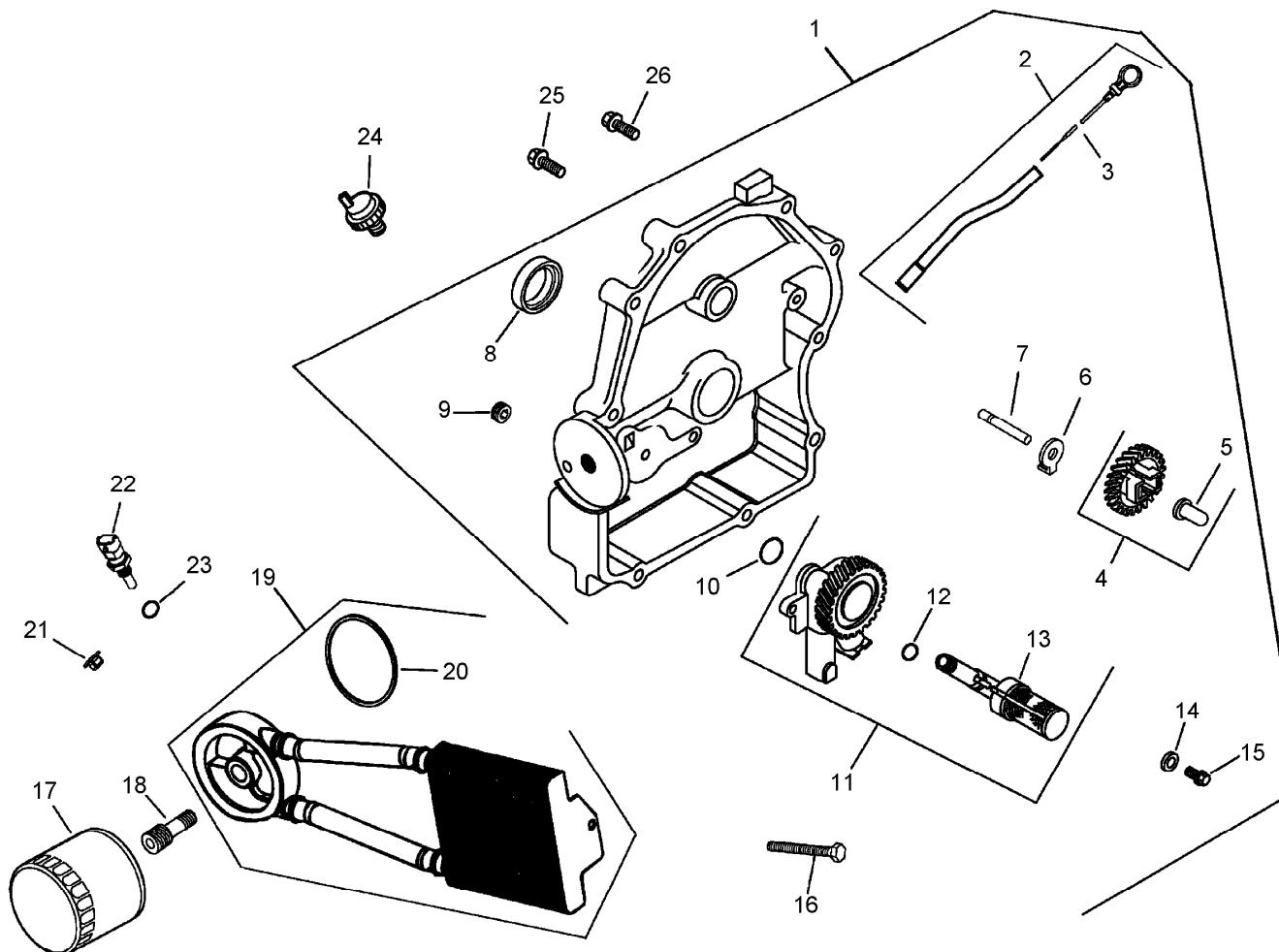


## Crankcase Assembly Kohler CH745-0012

| Ref. | Part Number | Qty. | Description                               | Ref. | Part Number | Qty. | Description                   |
|------|-------------|------|-------------------------------------------|------|-------------|------|-------------------------------|
| 1    |             | 1    | Crankcase (Use: Miniblock 24 782 36) ■●   | 11   | 12 422 10-S | 1    | Shim-Camshaft (Yellow .034) ■ |
| 2    | 24 032 01-S | 1    | Seal-Oil ■                                | 11   | 12 422 09-S | 1    | Shim-Camshaft (Red .032) ■    |
| 3    | 25 139 57-S | 2    | Plug-Pipe, Sq HD (3/8) ■                  | 11   | 12 422 13-S | 1    | Shim-Camshaft (Black .04) ■   |
| 4    | 25 755 14-S | 1    | Valve-Drain, Oil (Includes 5) ■           | 11   | 12 422 07-S | 1    | Shim-Camshaft (White .028) ■  |
| 5    | 25 173 14-S | 1    | Cap-Valve, Oil Drain ■                    | 11   | 12 422 08-S | 1    | Shim-Camshaft (Blue .03) ■    |
| 6    | 24 380 13-S | 6    | Pin-Locating ■                            | 11   | 12 422 11-S | 1    | Shim-Camshaft (Green .036) ■  |
| 7    | 24 067 13-S | 2    | Rod-Connecting (Standard) ■               | 11   | 12 422 12-S | 1    | Shim-Camshaft (Gray .038) ■   |
| 7    | 24 067 14-S | 2    | Rod-Connecting (.25) ■                    | 12   | 24 012 18-S | 1    | Camshaft Kit ■                |
| 8    | 24 874 08-S | 2    | Piston W/Ring Set (STD) (Includes 7, 8) ■ | 13   | 24 018 09-S | 1    | Retainer-Ring ■               |
| 8    | 24 874 16-S | 2    | Piston And Ring Set (.08) ■               | 14   | M-931010-S  | 1    | Washer-Flat (9Mm) ■           |
| 8    | 24 874 20-S | 2    | Piston And Ring Set (.25) ■               | 15   | 28 032 09-S | 1    | Seal-Cross Shaft, Governor ■  |
| 8    | 24 874 21-S | 2    | Piston And Ring Set (.50) ■               | 16   | 24 468 15-S | 1    | Washer-Flat (11/32) ■         |
| 9    | 24 018 01-S | 4    | Retainer-Pin, Piston ■                    | 17   | 24 144 38-S | 1    | Shaft-Cross, Governor ■       |
| 10   | 24 108 05-S | 2    | Ring Set (.25) ■                          | 18   | 52 139 09-S | 1    | Plug-Cup ■                    |
| 10   | 24 108 06-S | 2    | Ring Set (.25) ■                          |      |             |      |                               |
| 10   | 24 108 07-S | 2    | Ring Set (.50) ■                          |      |             |      |                               |

● Not serviced separately

■ Obtain parts from [www.kohlerplus.com](http://www.kohlerplus.com)

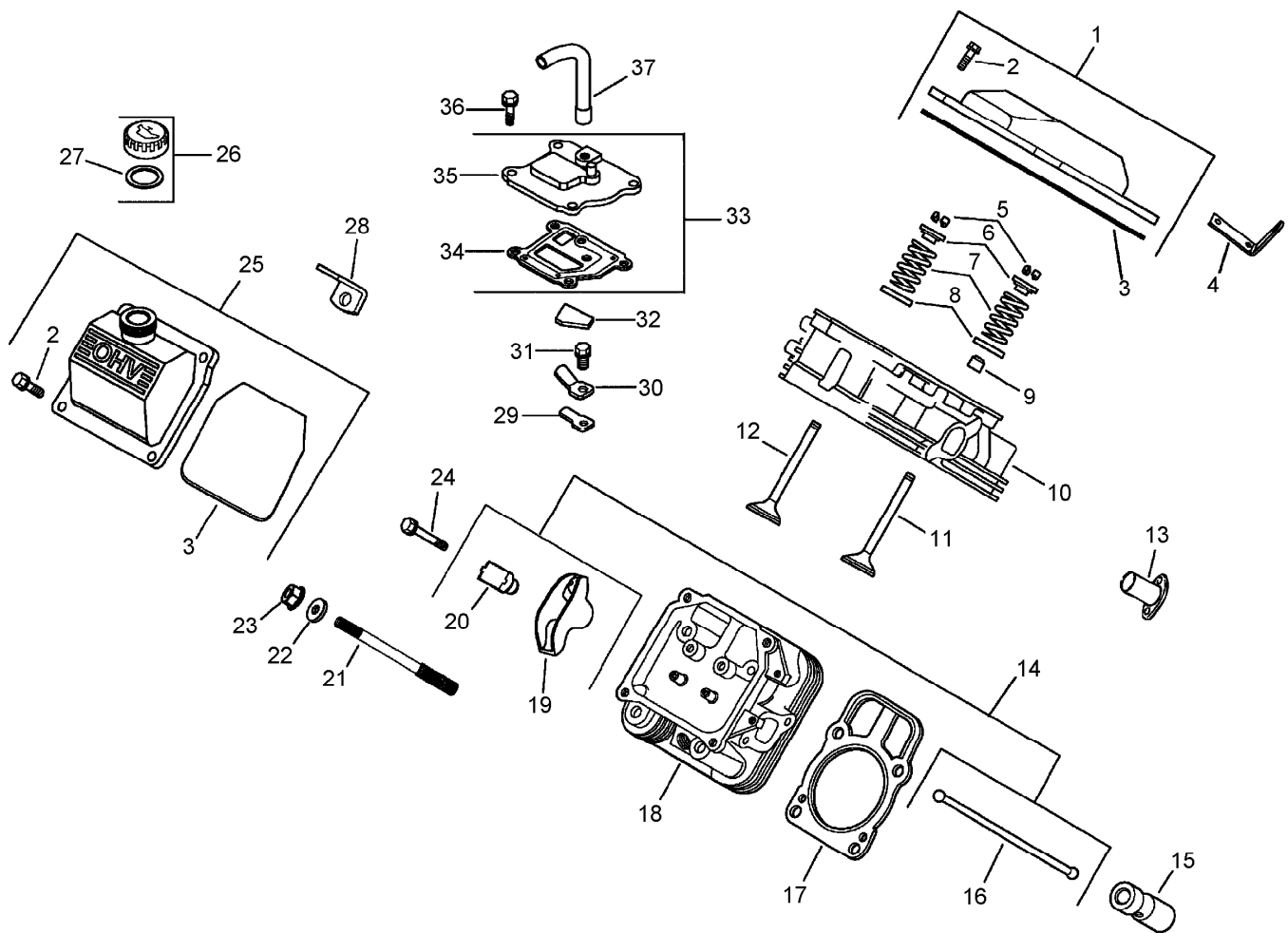


## Oil Pan and Lubrication Assembly Kohler CH745-0012

| Ref. | Part Number  | Qty. | Description                         | Ref. | Part Number | Qty. | Description                                |
|------|--------------|------|-------------------------------------|------|-------------|------|--------------------------------------------|
| 1    | 24 009 83-S  | 1    | Closure Plate ASM (Includes 2-15) ■ | 13   | 24 381 04-S | 1    | Tube-Pick Up, Oil ■                        |
| 2    | 24 755 121-S | 1    | Dipstick Tube ASM (Includes 3) ■    | 14   | M-631005-S  | 2    | Washer-Flat (6 Mm) ■                       |
| 3    | 24 038 10-S  | 1    | Dipstick ■                          | 15   | M-645025-S  | 2    | Screw-Flange, Thread Forming (M6X1.0X25) ■ |
| 4    | 24 043 12-S  | 1    | Governor Gear Kit (Includes 5) ■    | 16   | 25 086 49-S | 2    | Screw-Tapping ■                            |
| 5    | 12 380 01-S  | 1    | Pin-Regulating, Governor ■          | 17   | 12 050 01-S | 1    | Filter-Oil ■                               |
| 6    | 24 448 02-S  | 1    | Tab-Locking ■                       | 18   | 24 136 05-S | 1    | Nipple-Filter, Oil ■                       |
| 7    | 12 144 02-S  | 1    | Shaft-Gear, Governor ■              | 19   | 24 594 31-S | 1    | Cooler-Oil (Includes 20) ■                 |
| 8    | 52 032 08-S  | 1    | Seal-Oil (P-T-O End) ■              | 20   | 24 153 21-S | 1    | O-Ring ■                                   |
| 9    | 25 139 60-S  | 1    | Plug-Pipe, Countersunk (1/8) ■      | 21   | 24 100 01-S | 2    | Nut-Plastic ■                              |
| 10   | 24 153 08-S  | 1    | O-Ring ■                            | 22   | 24 418 12-S | 1    | Sensor-Temperature ■                       |
| 11   | 24 393 37-S  | 1    | Oil Pump ASM (Includes 12, 13) ■    | 23   | 12 153 04-S | 1    | O Ring-Oil Pick-Up ■                       |
| 12   | 24 153 01-S  | 1    | O-Ring ■                            | 24   | 24 099 03-S | 1    | Switch-Pressure, Oil ■                     |
|      |              |      |                                     | 25   | 24 086 16-S | 9    | Screw-HF (M8X1.25X45) ■                    |
|      |              |      |                                     | 26   | 24 086 17-S | 1    | Screw-Flange (M8X1.25X45) ■                |
|      |              |      |                                     |      | 24 113 25-S | 1    | Decal-Cooler, Oil ■ ●                      |

● Not illustrated

■ Obtain parts from [www.kohlerplus.com](http://www.kohlerplus.com)

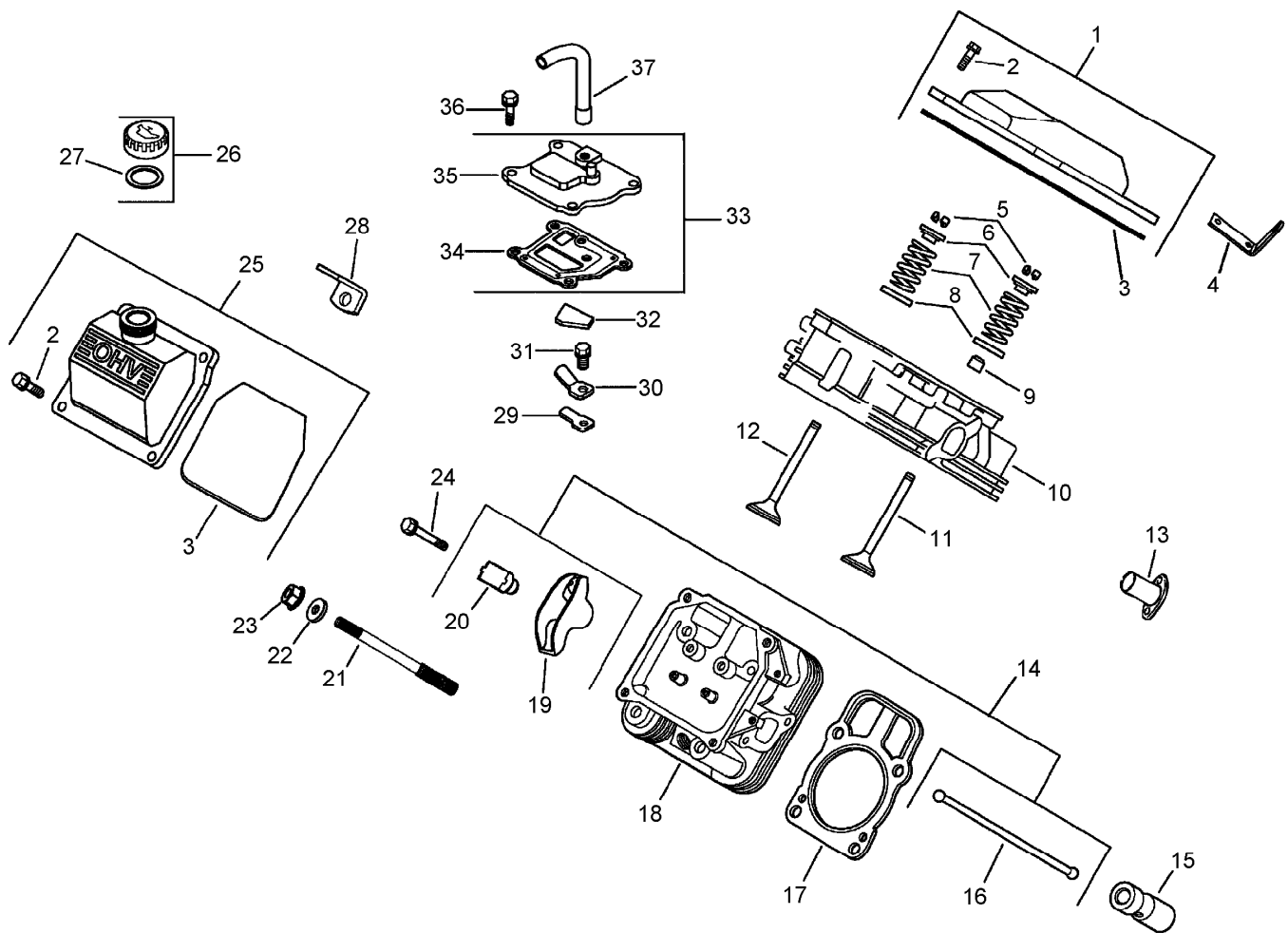


## Head, Valve and Breather Assembly Kohler CH745-0012

| Ref. | Part Number  | Qty. | Description                                  | Ref. | Part Number  | Qty. | Description                        |
|------|--------------|------|----------------------------------------------|------|--------------|------|------------------------------------|
| 1    | 24 755 140-S | 1    | Valve Cover Kit (Includes 2, 3) ■            | 18   | 24 318 66-S  | 1    | Cylinder Head ASM ■                |
| 2    | M-651030-S   | 4    | Screw-Flange (M6X1.0X30) ■                   | 19   | 25 186 01-S  | 2    | Arm-Rocker ■                       |
| 3    | 24 153 28-S  | 1    | O-Ring ■                                     | 20   | 24 599 01-S  | 2    | Pivot-Arm, Rocker ■                |
| 4    | 24 445 01-S  | 1    | Strap-Lifting ■                              | 21   | 24 072 09-S  | 8    | Stud (M8X1.25Xm10X1.5X105Mm) ■     |
| 5    | 12 755 03-S  | 4    | Retainer Kit ■                               | 22   | 24 468 16-S  | 8    | Washer-Flat (8.6 Mm) ■             |
| 6    | 12 173 01-S  | 2    | Cap-Spring, Valve ■                          | 23   | 24 100 10-S  | 8    | Nut-Flange (M8X1.25) ■             |
| 7    | 24 089 02-S  | 2    | Spring-Valve ■                               | 24   | M-640034-S   | 2    | Screw-Flange (M6X1.0X34) ■         |
| 8    | 235011-S     | 2    | Retainer-Spring ■                            | 25   | 24 755 140-S | 1    | Valve Cover Kit (Includes 2, 23) ■ |
| 9    | 66 032 05-S  | 1    | Seal-Stem, Valve ■                           | 26   | 25 755 13-S  | 1    | Oil Fill Cap ASM (Includes 27) ■   |
| 10   | 24 318 65-S  | 1    | Cylinder Head ASM ■                          | 27   | 25 153 02-S  | 1    | O-Ring ■                           |
| 11   | 24 017 01-S  | 1    | Valve-Intake (STD) ■                         | 28   | 12 445 05-S  | 97   | Strap-Lifting ■                    |
| 11   | 24 017 02-S  | 1    | Valve-Intake (.25) ■                         | 29   | 24 402 03-S  | 1    | Reed-Breather ■                    |
| 12   | 24 016 01-S  | 2    | Valve-Exhaust (STD) ■                        | 30   | 66 018 04-S  | 1    | Retainer-Reed ■                    |
| 12   | 24 016 02-S  | 1    | Valve-Exhaust (.25) ■                        | 31   | M-545010-S   | 1    | Screw-HHFTF (M5X.80X10) ■          |
| 13   | 24 605 01-S  | 1    | Liner-Port, Exhaust ■                        | 32   | 24 050 01-S  | 1    | Filter-Breather ■                  |
| 14   | 24 755 66-S  | 1    | Valve Train Kit (Includes 16, 19, 20) ■      | 33   | 24 033 01-S  | 1    | Breather Kit (Includes 34, 35) ■   |
| 15   | 25 351 04-S  | 4    | Hydraulic Valve Lifter Kit ■                 |      |              |      |                                    |
| 16   | 24 411 05-S  | 2    | Rod-Push ■                                   |      |              |      |                                    |
| 17   | 24 841 03-S  | 2    | Cylinder Head Gasket Kit (Includes 22, 23) ■ |      |              |      |                                    |

● Not illustrated

■ Obtain parts from [www.kohlerplus.com](http://www.kohlerplus.com)

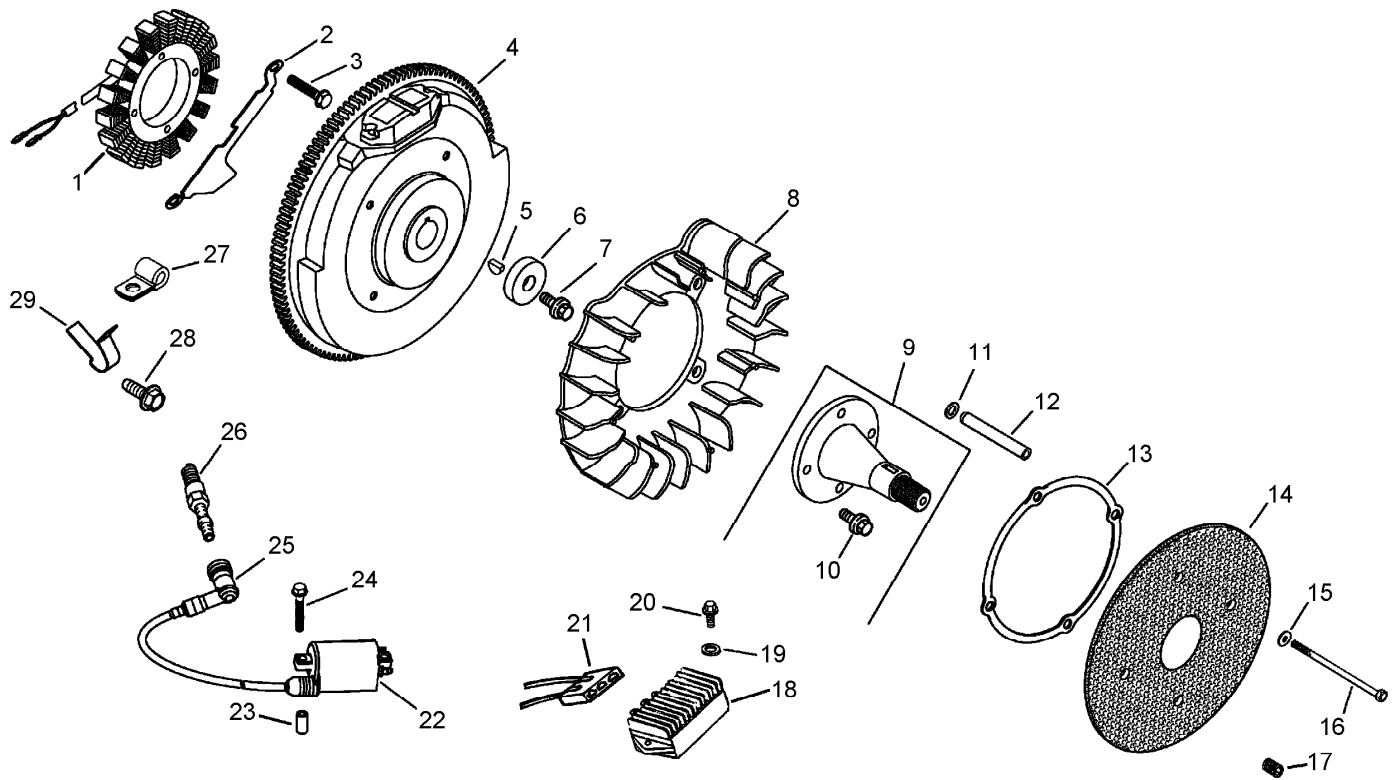


## Head, Valve and Breather Assembly Kohler CH745-0012 (continued)

| Ref. | Part Number | Qty. | Description                  | Ref.         | Part Number | Qty.                                                                       | Description |
|------|-------------|------|------------------------------|--------------|-------------|----------------------------------------------------------------------------|-------------|
| 34   | 24 041 51-S | 1    | Gasket-Breather ■            | 25           | 452 01-S    | 1                                                                          | Terminal ■● |
| 35   | 24 096 86-S | 1    | Cover-Breather ■             | 24 755 147-S | 1           | Cylinder Head Hardware Kit<br>(Includes 5-9, 11, 12, 16, 19,<br>20, 24) ■● |             |
| 36   | M-645020-S  | 4    | Screw-HHFTF (M6X1.0X20)<br>■ |              |             |                                                                            |             |
| 37   | 24 326 68-S | 1    | Hose-Breather ■              |              |             |                                                                            |             |

● Not illustrated

■ Obtain parts from [www.kohlerplus.com](http://www.kohlerplus.com)

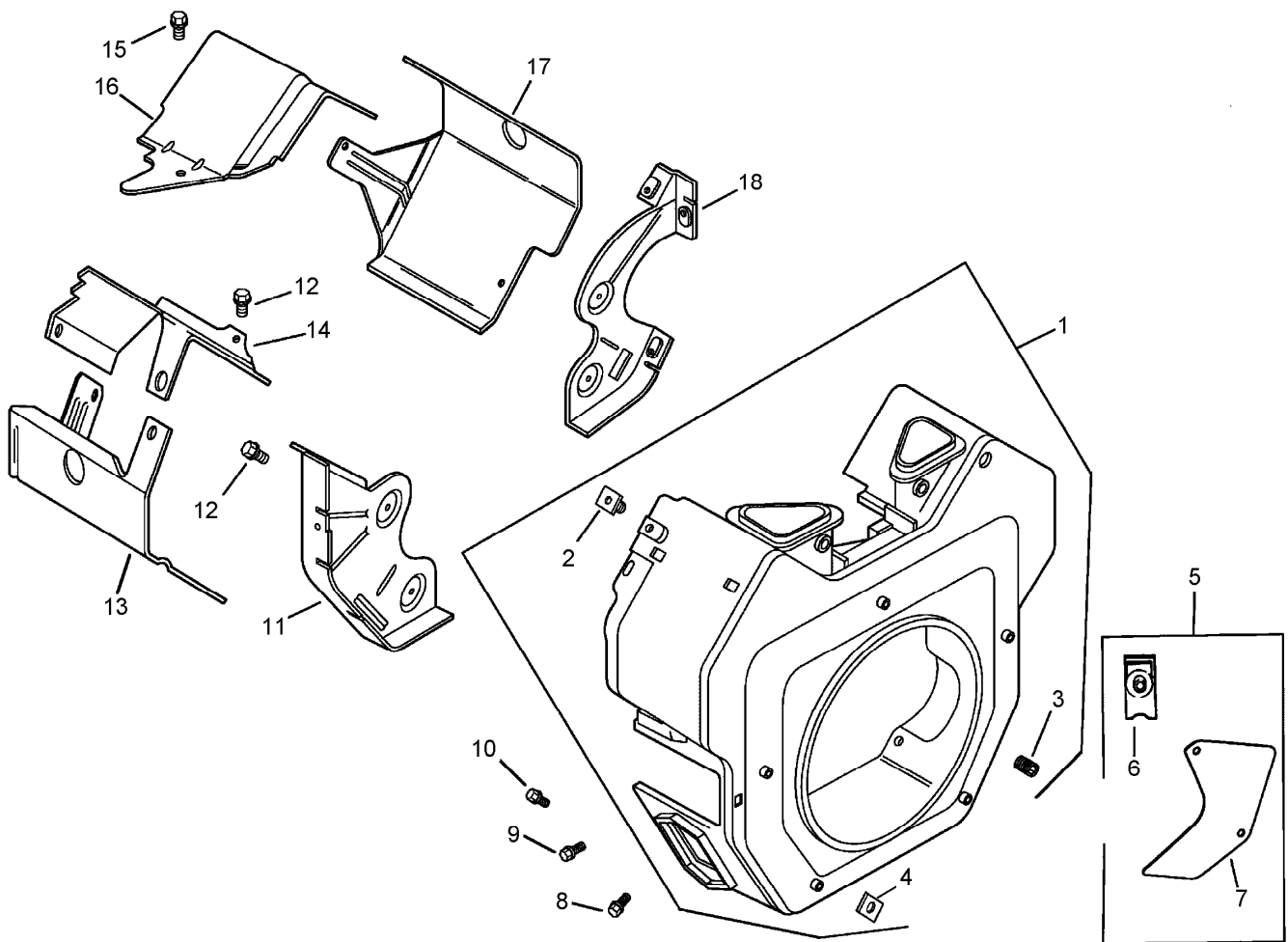


## Ignition and Electrical Assembly Kohler CH745-0012

| Ref. | Part Number  | Qty. | Description                           | Ref. | Part Number  | Qty. | Description                                                             |
|------|--------------|------|---------------------------------------|------|--------------|------|-------------------------------------------------------------------------|
| 1    | 28 085 02-S  | 1    | Stator Kit (Includes 3, 21) ■         | 20   | 24 086 18-S  | 1    | Screw-Phi HD (11-16X.88) ■                                              |
| 2    | 24 126 139-S | 1    | Bracket-Wire, Stator ■                | 21   | 236602-S     | 1    | Connector (3 Contact) ■                                                 |
| 3    | 25 086 29-S  | 2    | Screw-Tapping ■                       | 22   | 24 519 02-S  | 2    | Coil-Ignition ■                                                         |
| 4    | 24 025 30-S  | 1    | Flywheel ■                            | 23   | 24 112 16-S  | 4    | Spacer ■                                                                |
| 5    | X-42-15-S    | 1    | Key (3/16 X 5/8) ■                    | 24   | 24 086 48-S  | 4    | Screw-Tapping ■                                                         |
| 6    | 12 468 03-S  | 1    | Washer-Flat (13/32) ■                 | 25   | 24 131 02-S  | 1    | Spark Plug Boot ASM ■                                                   |
| 7    | 12 086 14-S  | 1    | Screw-Flange (M10X1.5X45) ■           | 26   | 25 132 12-S  | 2    | Spark Plug (Pro Series) ■                                               |
| 8    | 24 157 04-S  | 1    | Fan ■                                 | 27   | 12 154 01-S  | 1    | Clamp-Insulated ■                                                       |
| 9    | 24 755 08-S  | 1    | Front Drive Shaft Kit (Includes 10) ■ | 28   | M-545016-S   | 1    | Screw-Flange, Thread Forming (M5X0.8X16) ■                              |
| 10   | M-839025-S   | 4    | Screw-HF (M8X1.25X25) ■               | 29   | 25 237 06-S  | 1    | Clamp-Hose ■                                                            |
| 11   | 24 468 11-S  | 4    | Washer-Spring (10Mm) ■                |      | 24 100 01-S  | 4    | Nut-Plastic ■●                                                          |
| 12   | 24 112 14-S  | 4    | Spacer ■                              |      | 24 126 137-S | 1    | Bracket-Strap, Ground ■●                                                |
| 13   | 24 141 06-S  | 1    | Ring-Support ■                        |      | 25 468 07-S  | 1    | Washer-Flat (.22) ■●                                                    |
| 14   | 24 162 22-S  | 1    | Screen-Grass ■                        |      | 25 452 01-S  | 3    | Terminal ■●                                                             |
| 15   | X-25-53-S    | 4    | Washer-Flat (1/4) ■                   |      | 24 518 12-S  | 1    | Lead-Black (6In - 18 Gauge - Insulated Grip Barrel Eyelet Terminals) ■● |
| 16   | M-603100-S   | 4    | Screw-HH (M6X1.0X100) ■               |      | X-22-11-S    | 1    | Washer-Lock, Internal Tooth (1/4) ■●                                    |
| 17   | 25 086 43-S  | 1    | Screw-Set (10-24X.25) ■               |      | 12 454 03-S  | 1    | Tie-Wire ■●                                                             |
| 18   | 25 403 08-S  | 1    | Rectifier-Regulator ■                 |      |              |      |                                                                         |
| 19   | X-25-92-S    | 2    | Washer-Flat (.188) ■                  |      |              |      |                                                                         |

● Not illustrated

■ Obtain parts from [www.kohlerplus.com](http://www.kohlerplus.com)

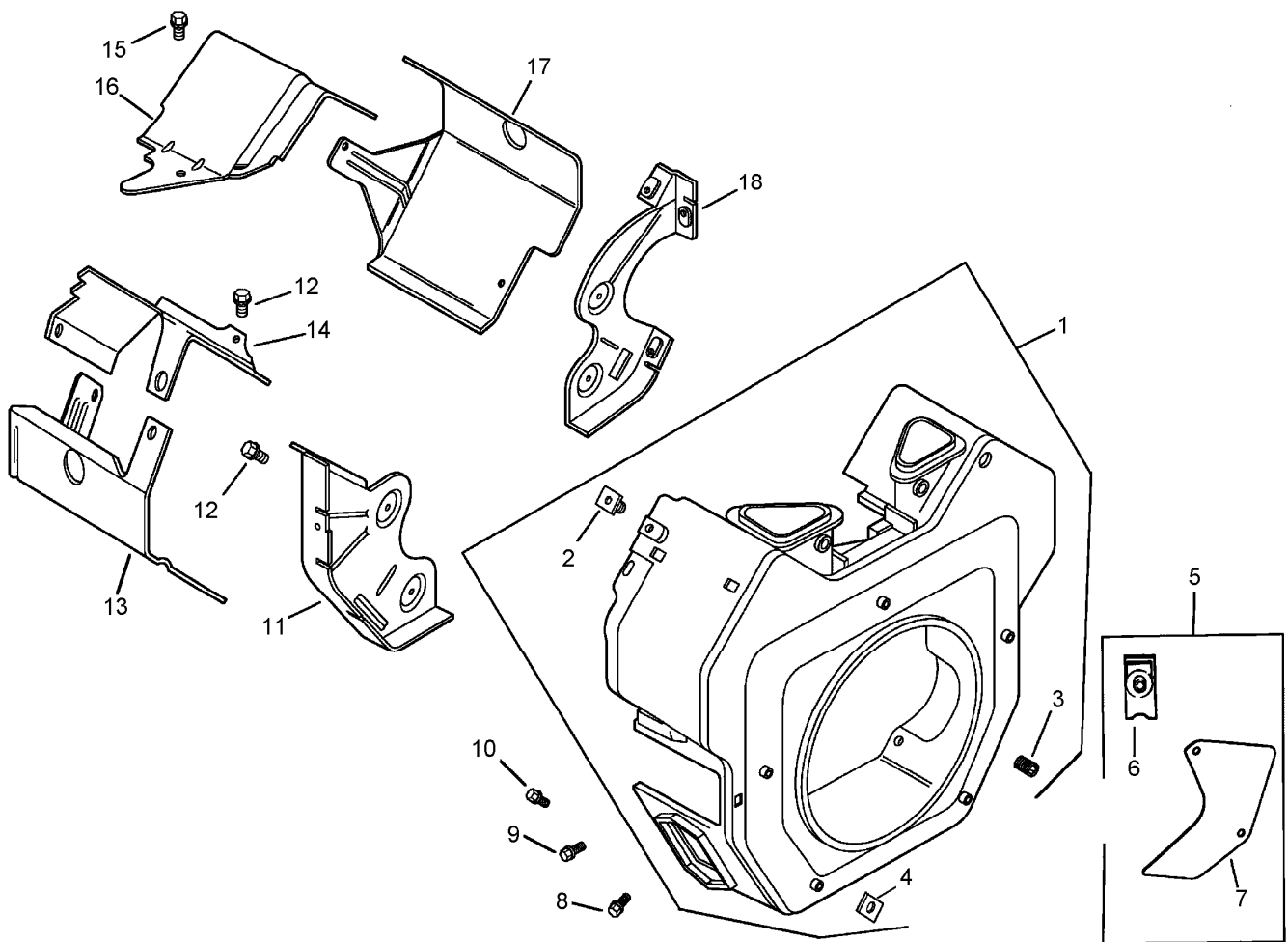


## Blower Housing and Baffle Assembly Kohler CH745-0012

| Ref. | Part Number  | Qty. | Description                                |
|------|--------------|------|--------------------------------------------|
| 1    | 24 027 167-S | 1    | Blower Housing ASM (Includes 2-5) ■        |
| 2    | 24 100 02-S  | 1    | Nut-Plastic ■                              |
| 3    | 25 086 43-S  | 1    | Screw-Set (10-24X.25) ■                    |
| 4    | 24 100 01-S  | 4    | Nut-Plastic ■                              |
| 5    | 25 755 20-S  | 1    | Access Cover Kit (Includes 6, 7) ■         |
| 6    | 25 154 02-S  | 4    | Clip-Mounting ■                            |
| 7    | 24 096 63-S  | 2    | Panel-Access ■                             |
| 8    | M-551016-S   | 1    | Screw-Hex Flange, Heavy (M5X0.8X16) ■      |
| 9    | M-545016-S   | 1    | Screw-Flange, Thread Forming (M5X0.8X16) ■ |
| 10   | M-545020-S   | 4    | Screw-Flange, Thread Forming (M5X.8X20) ■  |
| 11   | 24 146 19-S  | 1    | Plate-Backing (No. 2 Side) ■               |
| 12   | M-645016-S   | 10   | Screw-Flange, Thread Forming (M6X1.0X16) ■ |
| 13   | 24 063 39-S  | 1    | Baffle-Barrel, Cylinder (No. 2 Side) ■     |
| 14   | 24 063 70-S  | 1    | Baffle-Valley (No. 2 Side) ■               |
| 15   | M-550010-S   | 2    | Screw-HF (M5X0.8X10) ■                     |
| 16   | 24 063 59-S  | 1    | Baffle-Valley (No. 1 Side) ■               |
| 17   | 24 063 58-S  | 1    | Baffle-Barrel, Cylinder (No. 1 Side) ■     |
| 18   | 24 146 20-S  | 1    | Plate-Backing (No. 1 Side) ■               |

● Not illustrated

■ Obtain parts from [www.kohlerplus.com](http://www.kohlerplus.com)

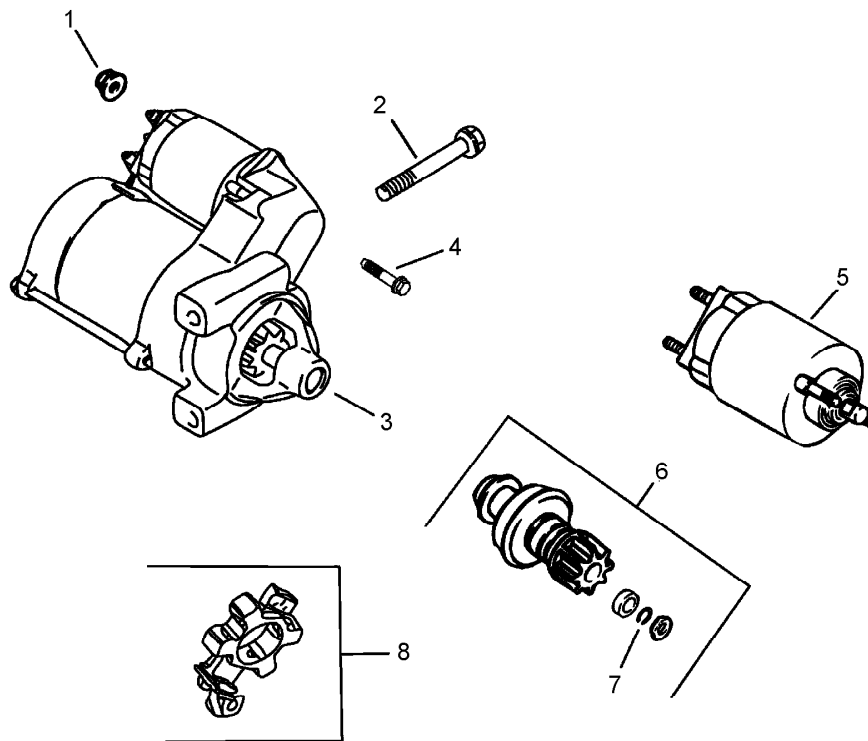


## Blower Housing and Baffle Assembly Kohler CH745-0012 (continued)

| Ref. | Part Number  | Qty. | Description                                                                                    |
|------|--------------|------|------------------------------------------------------------------------------------------------|
|      | X-22-11-S*   | 1    | Washer-Lock, 1/4In (Used With M-561016-S Screw To Ground Ignition Coil Lead) ■●                |
|      | M-561016-S*  | 1    | Screw-Forming, Thread (M5X0.8X16) (Used With X-22-11-S Washer To Ground Ignition Coil Lead) ■● |
|      | 24 113 133-S | 1    | Decal-26Hp ■●                                                                                  |
|      | 25 113 39-S  | 1    | Decal-Laminate, Clear ■●                                                                       |

● Not illustrated

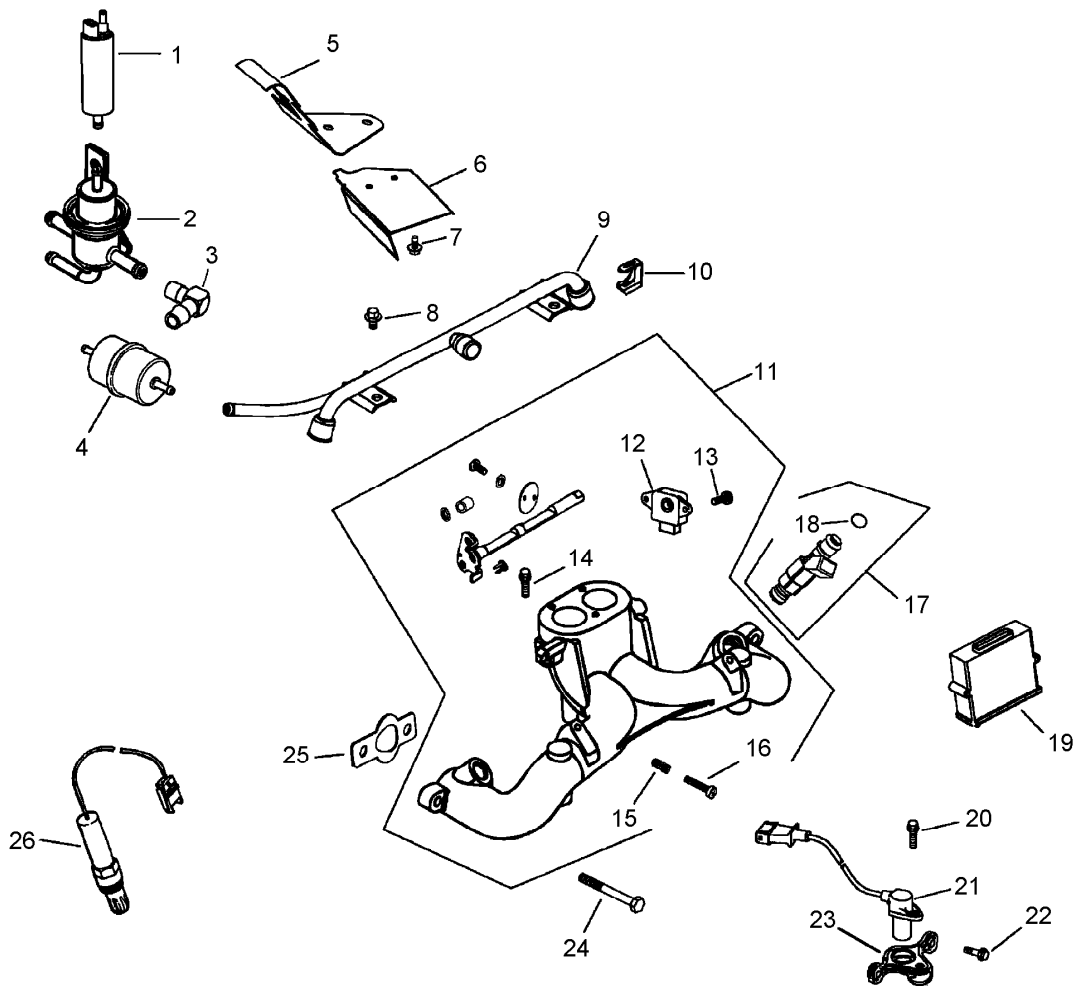
■ Obtain parts from [www.kohlerplus.com](http://www.kohlerplus.com)



## Starting System Assembly Kohler CH745-0012

| Ref. | Part Number  | Qty. | Description                                                                                         |
|------|--------------|------|-----------------------------------------------------------------------------------------------------|
| 1    | M-841080-S   | 1    | Nut-Flange (M8X1.25) ●                                                                              |
| 2    | M-851080-S   | 2    | Screw-Flange (M8X1.25X80) ●                                                                         |
| 3    | 25 098 09-S  | 1    | Starter ASM (Includes 4-8) (Service Starter And Components According To Starter Brand And Number) ● |
| 4    | 25 086 113-S | 3    | Screw-Torx Head, External ●                                                                         |
| 5    | 25 435 06-S  | 1    | Solenoid Kit (Includes 4) ●                                                                         |
| 6    | 25 755 33-S  | 1    | Pinion Drive Kit (Includes 7) ●                                                                     |
| 7    | 25 141 05-S  | 1    | Ring-Retaining ●                                                                                    |
| 8    | 25 221 01-S  | 1    | Brush Holder Kit ●                                                                                  |

● Obtain parts from [www.kohlerplus.com](http://www.kohlerplus.com)

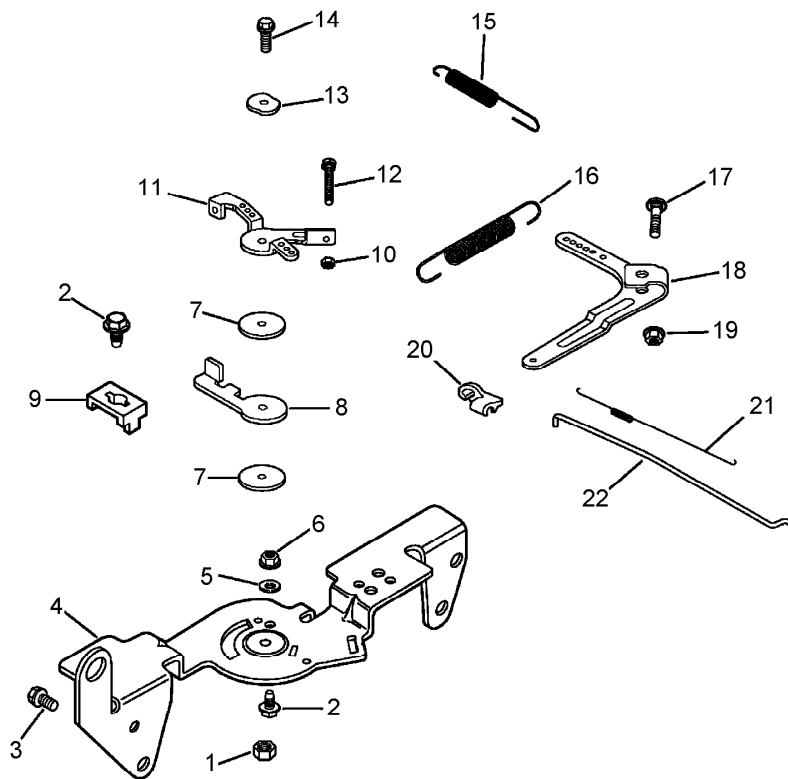


## Fuel System Assembly Kohler CH745-0012

| Ref. | Part Number | Qty. | Description                                            | Ref. | Part Number  | Qty. | Description                                 |
|------|-------------|------|--------------------------------------------------------|------|--------------|------|---------------------------------------------|
| 1    | 24 393 20-S | 1    | Fuel Pump ASM (Includes 24 050 06-S) ■                 | 17   | 24 331 02-S  | 2    | Injector-Fuel (Includes 24) ■               |
| 2    | 24 403 17-S | 1    | Fuel Pressure Regulator ASM ■                          | 18   | 24 153 26-S  | 2    | O Ring-Injector, Fuel ■                     |
| 3    | 25 155 38-S | 1    | Connector-Hose ■                                       | 19   | 24 584 29-S  | 1    | Control Unit-Electronic (Ecu) ■             |
| 4    | 24 050 03-S | 1    | Filter-Fuel ■                                          | 20   | 24 086 42-S  | 1    | Screw-HF ■                                  |
| 5    | 24 063 37-S | 1    | Baffle-Valley ■                                        | 21   | 24 418 03-S  | 1    | Sensor-Speed, Engine ■                      |
| 6    | 24 265 08-S | 1    | Deflector-Air ■                                        | 22   | M-545016-S   | 1    | Screw-Flange, Thread Forming (M5X0.8X16) ■  |
| 7    | M-545010-S  | 2    | Screw-HHFTF (M5X.80X10) ■                              | 23   | 24 126 131-S | 1    | Bracket-Sensor, Speed ■                     |
| 8    | M-639010-S  | 3    | Screw-HF (M6X1.0X10) ■                                 | 24   | M-639025-S   | 4    | Screw-HF ■                                  |
| 9    | 24 399 04-S | 1    | Rail-Fuel ■                                            | 25   | 24 041 01-S  | 2    | Gasket-Manifold, Intake ■                   |
| 10   | 24 154 05-S | 2    | Clip-Injector, Fuel ■                                  | 26   | 24 418 05-S  | 1    | Sensor-Oxygen ■                             |
| 11   | 24 164 84-S | 1    | Intake Manifold ASM (Includes 18-22 And 25 454 03-S) ■ |      | M-561016-S   | 1    | Screw-Flange, Thread Forming (M5X.80X16) ■● |
| 12   | 24 418 06-S | 1    | Sensor-Position, Throttle ■                            |      | X-25-79-S    | 1    | Washer-Plain ■●                             |
| 13   | M-442012-S  | 2    | Screw-Head, Pan ■                                      |      | 24 050 06-S  | 1    | Filter-Strainer, Fuel ■●                    |
| 14   | 24 086 49-S | 1    | Screw-Set ■                                            |      | X-22-9-S     | 1    | Washer-Lock ■●                              |
| 15   | 12 089 11-S | 1    | Spring-Control, Speed ■                                |      | 24 176 122-S | 1    | Harness-Wiring (Includes 24 404 02-S) ■●    |
| 16   | M-442025-S  | 1    | Screw-HH ■                                             |      | 25 454 04-S  | 1    | Tie-Wire ■●                                 |
|      |             |      |                                                        |      | 24 113 78-S  | 1    | Decal-Warning, Fuel ■●                      |

● Not illustrated

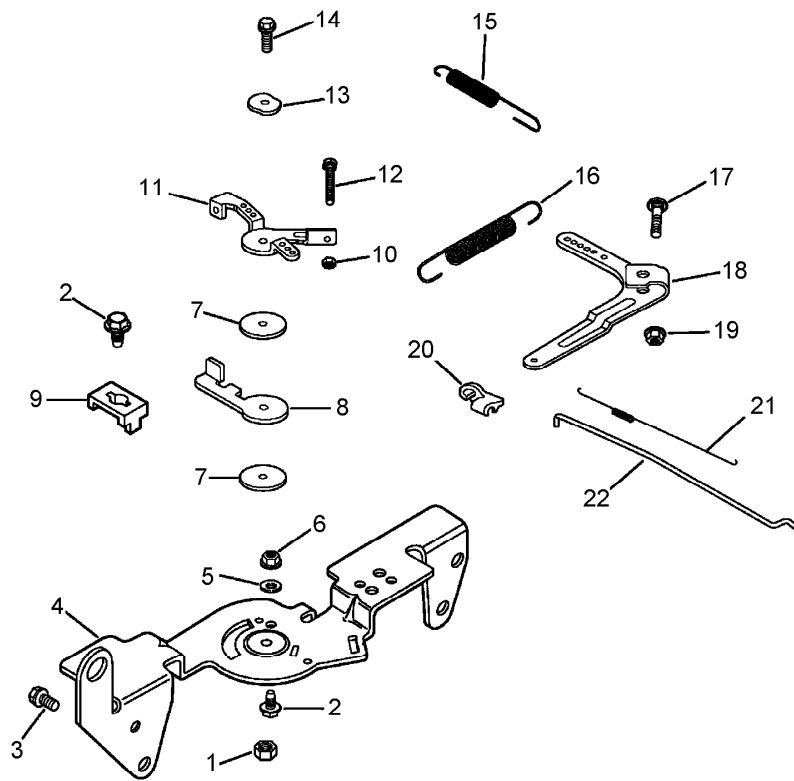
■ Obtain parts from [www.kohlerplus.com](http://www.kohlerplus.com)



## Engine Control Assembly Kohler CH745-0012

| Ref. | Part Number | Qty. | Description                                |
|------|-------------|------|--------------------------------------------|
| 1    | M-547050-S  | 1    | Nut-Lock (M5X.8) ●                         |
| 2    | M-545016-S  | 3    | Screw-Flange, Thread Forming (M5X0.8X16) ● |
| 3    | M-645016-S  | 4    | Screw-Flange, Thread Forming (M6X1.0X16) ● |
| 4    | 24 126 56-S | 1    | Bracket-Control ●                          |
| 5    | X-20-1-S    | 1    | Washer-Lock (.25) ●                        |
| 6    | M-541050-S  | 1    | Nut-HF (M5X0.8) ●                          |
| 7    | 24 468 01-S | 2    | Washer-Flat (5.5Mm) ●                      |
| 8    | 24 090 07-S | 1    | Lever-Actuator, Throttle ●                 |
| 9    | 12 237 01-S | 1    | Clamp-Cable ●                              |
| 10   | M-446030-S  | 1    | Nut (M4X0.7) ●                             |
| 11   | 24 090 03-S | 1    | Lever-Control, Throttle ●                  |
| 12   | M-401030-S  | 1    | Screw (M4X0.7X30) ●                        |
| 13   | 41 468 03-S | 1    | Washer-Spring (1/4) ●                      |
| 14   | M-545020-S  | 1    | Screw-Flange, Thread Forming (M5X.8X20) ●  |
| 15   | 24 089 51-S | 1    | Spring-Limiter, Throttle ●                 |
| 16   | 24 089 48-S | 1    | Spring-Governor ●                          |
| 17   | 24 211 03-S | 1    | Bolt-Sq Neck, Rd HD (M6X1.0X25) ●          |
| 18   | 24 090 33-S | 1    | Lever-Governor ●                           |
| 19   | M-641060-S  | 1    | Nut-Flange (M6X1.0) ●                      |
| 20   | 25 158 11-S | 1    | Bushing-Retaining, Linkage ●               |

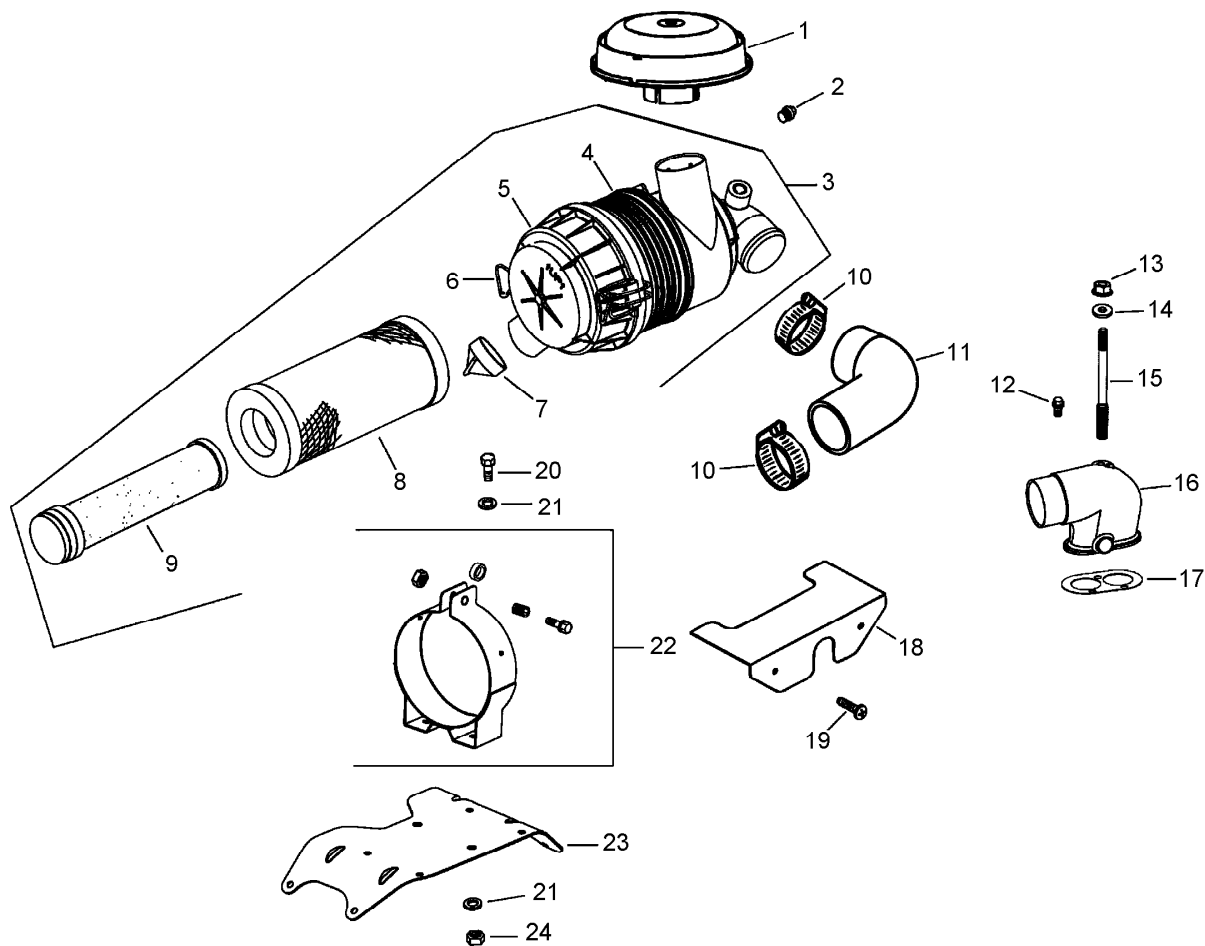
● Obtain parts from [www.kohlerplus.com](http://www.kohlerplus.com)



## Engine Control Assembly Kohler CH745-0012 (continued)

| <i>Ref.</i> | <i>Part Number</i> | <i>Qty.</i> | <i>Description</i> |
|-------------|--------------------|-------------|--------------------|
| 21          | 24 089 32-S        | 1           | Spring-Linkage ●   |
| 22          | 24 079 13-S        | 1           | Linkage-Throttle ● |

● Obtain parts from [www.kohlerplus.com](http://www.kohlerplus.com)

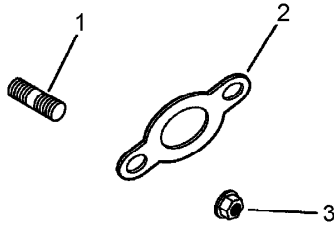


## Air Intake and Filtration Assembly Kohler CH745-0012

| Ref. | Part Number | Qty. | Description                       | Ref. | Part Number  | Qty. | Description                    |
|------|-------------|------|-----------------------------------|------|--------------|------|--------------------------------|
| 1    | 25 324 02-S | 1    | Hood-Cleaner, Air ■               | 14   | 25 468 01-S  | 1    | Washer-Copper ■                |
| 2    | 25 139 20-S | 1    | Plug-Pipe ■                       | 15   | M-629122-S   | 1    | Stud-Carburetor (M6X1.0X122) ■ |
| 3    | 25 048 07-S | 1    | Air Cleaner ASM (Includes 4-9) ■  | 16   | 24 029 60-S  | 1    | Adapter-Air Cleaner, Remote ■  |
| 4    | 25 081 01-S | 1    | Housing-Air Cleaner, Heavy Duty ■ | 17   | 24 041 36-S  | 1    | Gasket-Base, Air Cleaner ■     |
| 5    | 25 096 06-S | 1    | Cover ASM (Includes 6, 7) ■       | 18   | 24 314 28-S  | 1    | Shield-Debris ■                |
| 6    | 25 154 05-S | 2    | Clip ■                            | 19   | 24 086 06-S  | 2    | Screw-PPH (11-16X3/4) ■        |
| 7    | 24 462 07-S | 1    | Valve-Ejector, Dust ■             | 20   | M-639016-S   | 2    | Screw-HF (M6X1.0X16) ■         |
| 8    | 25 083 01-S | 1    | Element-Air Filter, Primary ■     | 21   | X-25-73-S    | 1    | Washer-Flat (1/4) ■            |
| 9    | 25 083 04-S | 1    | Element-Air Filter, Safety ■      | 22   | 25 126 02-S  | 1    | Air Cleaner Bracket ASM ■      |
| 10   | 25 237 21-S | 2    | Clamp-Hose ■                      | 23   | 24 126 142-S | 1    | Bracket-Cleaner, Air ■         |
| 11   | 24 326 32-S | 1    | Hose-Cleaner, Air ■               | 24   | M-647060-S   | 2    | Nut-Lock (M6X1.0) ■            |
| 12   | M-644025-S  | 2    | Screw-HSH ■                       |      | 25 113 27-S  | 1    | Decal-Cleaner, Air ■●          |
| 13   | M-641060-S  | 2    | Nut-Flange (M6X1.0) ■             |      |              |      |                                |

● Not illustrated

■ Obtain parts from [www.kohlerplus.com](http://www.kohlerplus.com)



## Exhaust Assembly Kohler CH745-0012

| <i>Ref.</i> | <i>Part Number</i> | <i>Qty.</i> | <i>Description</i>     |
|-------------|--------------------|-------------|------------------------|
| 1           | 25 072 04-S        | 4           | Stud (M8X1.25X33) ■    |
| 2           | 24 041 49-S        | 2           | Gasket-Exhaust ■       |
| 3           | M-841080-S         | 4           | Nut-Flange (M8X1.25) ■ |
|             | 24 522 307         | 1           | Short Block ■●         |
|             | 24 782 36          | 1           | Miniblock ■●           |

● Not illustrated

■ Obtain parts from [www.kohlerplus.com](http://www.kohlerplus.com)

# Attachments and Accessories

## For 74256 Z588E Z Master With 72in TURBO FORCE Side Discharge Mower

| <b>Product Name</b>                 | <b>Model/Part</b> |
|-------------------------------------|-------------------|
| Blade-Mid Flow, 24.5in .....        | 105-7711-03       |
| Blade-Lo Flow, 24.5in .....         | 105-7712-03       |
| Blade-Atomic, 24.5in .....          | 105-7719-03       |
| Blade-Recycler, 24.5in .....        | 105-7778-03       |
| Blade-Hi Flow, 24.5in.....          | 105-7784-03       |
| Recycler Kit .....                  | 107-1612          |
| 6 Pack Blade, 24.5in Hi-Flow .....  | 108-1120          |
| 6 Pack Blade, 24.5in Atomic .....   | 108-1126          |
| 6 Pack-Blade, 24.5in Mid-Flow ..... | 110-0404          |
| 6 Pack-Blade, 24.5in Lo-Flow .....  | 110-0410          |
| Retractable Seatbelt Kit.....       | 110-0883          |
| Hitch Kit .....                     | 99-8925           |

**Notes:**

**Notes:**



**Count on it.**