



# 13in Cordless Trimmer

Model No. 51488—Serial No. 313000001 and Up

Model No. 51488T—Serial No. 313000001 and Up

## Operator's Manual

Model 51488T does not include a battery or a charger.



If you have questions or problems, contact us at [www.Toro.com](http://www.Toro.com) or call toll free 1-800-237-2654 (US) or 1-800-248-3258 (Canada) before returning this product.

## General Safety Rules

**WARNING:** When using electric gardening appliances, basic safety precautions should always be followed to reduce the risk of fire, electric shock, and personal injury, including the following:

### Read all instructions.

The term "power tool" in all of the warnings refers to your mains-operated (corded) power tool or battery-operated (cordless) power tool.

#### 1. Work area safety

- Keep work area clean and well lit.** Cluttered or dark areas invite accidents
- Do not operate power tools in explosive atmospheres, such as in the presence of flammable liquids, gases or dust.** Power tools create sparks which may ignite the dust or fumes.
- Keep children and bystanders away while operating a power tool.** Distractions can cause you to lose control.

#### 2. Electrical safety

- Power tool plugs must match the outlet. Never modify the plug in any way. Do not use any adapter plugs with earthed (grounded) power tools.** Unmodified plugs and matching outlets will reduce risk of electric shock.
- Avoid body contact with earthed or grounded surfaces such as pipes, radiators, ranges and refrigerators.** There is an increased risk of electric shock if your body is earthed or grounded.
- Do not expose power tools to rain or wet conditions.** Water entering a power tool will increase the risk of electric shock.
- Do not abuse the cord. Never use the cord for carrying, pulling or unplugging the power tool. Keep cord away from heat, oil, sharp edges or moving parts.** Damaged or entangled cords increase the risk of electric shock.
- When operating a power tool outdoors, use an extension cord suitable for outdoor use.** Use of a cord suitable for outdoor use reduces the risk of electric shock.
- If operating a power tool in a damp location is unavoidable, use a residual current device (RCD)**

protected supply. Use of an RCD reduces the risk of electric shock.

#### 3. Personal safety

- Stay alert, watch what you are doing and use common sense when operating a power tool. Do not use a power tool while you are tired or under the influence of drugs, alcohol or medication.** A moment of inattention while operating power tools may result in serious personal injury.
- Use personal protective equipment. Always wear eye protection.** Protective equipment such as dust mask, non-skid safety shoes, hard hat, or hearing protection used for appropriate conditions will reduce personal injuries.
- Prevent unintentional starting. Ensure the switch is in the off-position before connecting to power source and/or battery pack, picking up or carrying the tool.** Carrying power tools with your finger on the switch or energizing power tools that have the switch on invites accidents.
- Remove any adjusting key or wrench before turning the power tool on.** A wrench or a key left attached to the power tool may result in personal injury.
- Do not overreach. Keep proper footing and balance at all times.** This enables better control of the power tool in unexpected situations.
- Dress properly. Do not wear loose clothing or jewelry. Keep your hair, clothing and gloves away from moving parts.** Loose clothes, jewelry, or long hair can be caught in moving parts.
- If devices are provided for the connection of dust extraction and collection facilities, ensure these are connected and properly used.** Use of these devices can reduce dust-related hazards.
- Keep hands and feet away from the cutting area.**

#### 4. Power tool use and care

- Do not force the power tool. Use the correct power tool for your application.** The correct power tool will do the job better and safer at the rate for which it was designed.
- Do not use the power tool if the switch does not turn it on and off.** Any power tool that cannot be controlled with the switch is dangerous and must be repaired.



- C. **Disconnect the plug from the power source and/or the battery pack from the power tool before making any adjustments, changing accessories, or storing power tools.** *Such preventive safety measures reduce the risk of starting the power tool accidentally.*
  - D. **Store idle power tools out of the reach of children and do not allow persons unfamiliar with the power tool or these instructions to operate the power tool.** *Power tools are dangerous in the hands of untrained users.*
  - E. **Store idle appliances indoors.** *When not in use, appliances should be stored indoors in a dry and high or locked-up place, out of the reach of children.*
  - F. **Maintain power tools. Check for misalignment or binding of moving parts, breakage of parts and any other condition that may affect the power tools operation. If damaged, have the power tool repaired before use.** *Many accidents are caused by poorly maintained power tools.*
  - G. **Keep cutting tools sharp and clean.** *Properly maintained cutting tools with sharp cutting edges are less likely to bind and are easier to control.*
  - H. **Use the power tool, accessories and tool bits etc., in accordance with these instructions and in the manner intended for the particular type of power tool, taking into account the working conditions and the work to be performed.** *Use of the power tool for operations different from those intended could result in a hazardous situation.*
  - I. **Keep guards in place and in working order.**
5. **Service**
- Have your power tool serviced by a qualified repair person using only identical replacement parts.** *This will ensure that the safety of the power tool is maintained.*
6. **Battery Safety**
- A. Do not charge appliance in rain, or in wet locations.
  - B. Do not use battery-operated appliance in the rain.
  - C. Use only the following type and size battery: Toro battery model 88508 or 88509 and battery charger 88507 or 88510.
  - D. Remove or disconnect the battery before servicing, cleaning, or removing material from the gardening appliance.
  - E. Do not dispose of the battery in a fire. The cell may explode. Check with local codes for possible special disposal instructions.
  - F. Do not open or mutilate the battery. Released electrolyte is corrosive and may cause damage to the eyes or skin. It may be toxic if swallowed.
  - G. Do not open or mutilate the battery. Released electrolyte is flammable and can cause damage if exposed to fire.
  - H. Exercise care in handling batteries in order not to short the battery with conducting materials such as rings, bracelets, and keys. The battery or conductor may overheat and cause burns.
  - I. Ideal charging temperature is between 5° C and 40° C (32° and 122° F). Charging outside of this temperature range will increase the charging time.

**SAVE THESE INSTRUCTIONS**

# Safety and Instructional Decals



Safety decals and instructions are easily visible to the operator and are located near any area of potential danger. Replace any decal that is damaged or lost.

Symbol	Name	Designation/Explanation
DC	Direct current	Type of current
V	Volts	Voltage

**TORO** 48V MAX\* DC 86 Wh  
Li-Ion Battery / Batterie au lithium-ion

\*Maximum initial voltage without workload, as rated by battery manufacturer. Under workload, nominal voltage is 43.2V DC .  
\*Tension initiale maximale sans charge, telle qu'indiquée par le fabricant de la batterie. Mesurée sous charge, la tension nominale est de 43.2 V DC .

**WARNING** To reduce the risk of injury, user must read the instruction manual. Wear eye protection. Do not short terminals. Do not throw into fire. Use only with Toro battery charger 88507 & 88510. When charging make sure temperature is between 5° to 40°C (41° to 104°F), -10° to 45°C (14° to 113°F) for discharge. Risk of fire, explosion and burns. Do not disassemble, crush, expose to heat above 100°C (212°F), or incinerate. Keep battery out of reach of children. To reduce risk of injury to persons, remove battery pack when not in use.

**AVERTISSEMENT** Pour réduire le risque de blessures, l'utilisateur doit lire le manuel d'utilisation. Portez des lunettes de protection. Ne pas court-circuiter. Ne jetez pas au feu. Utilisez uniquement avec chargeur de batterie Toro 88507 & 88510. Lorsque vous chargez la batterie, assurez-vous que la température est de 5 à 40 °C (41 à 104 °F), -10 à 45 °C (14 à 113 °F) pour la décharge. Risque d'incendie, d'explosion et des brûlures. Ne pas démonter, écraser, exposer à une température au-dessus de 100 °C (212 °F) ou incinérer. Conservez la batterie hors de portée des enfants. Pour réduire les risques de blessures corporelles, retirez l'ensemble batterie quand la machine ne sert pas.

Country of Origin: China / Pays d'origine : Chine

Model: **88508**  
Modèle: **88508**  
Serial Number:   
Numéro de série:   
Date Code:   
Code de date:

1166448  
LW

125-3240

**TORO**

**LITHIUM-ION BATTERY CHARGER**  
**CHARGEUR BATTERIE LITHIUM-ION**  
Input: 100-240V AC 50/60Hz Max 1.6A  
Output: 48V MAX\* DC 2A

\*Maximum initial voltage without workload, as rated by battery manufacturer. Under workload, nominal voltage is 43.2V DC .  
\*Tension initiale maximale sans charge, telle qu'indiquée par le fabricant de la batterie. Mesurée sous charge, la tension nominale est de 43.2 V DC .

**WARNING** To reduce the risk of injury, user must read the instruction manual. Use only with 88508 & 88509 Lithium-ion Battery Pack. Caution - Risk of electric shock. Do not expose to liquid, vapor, or rain. Do not interconnect output terminal. For indoor use only.

**AVERTISSEMENT** Pour réduire le risque de blessures, l'utilisateur doit lire le manuel d'utilisation. Utilisez uniquement avec 88508 & 88509 Lithium-ion Battery Pack. Attention - Risque de décharge électrique. Ne pas exposer à des liquides, à la vapeur ou à la pluie. N'interconnectez pas la borne de sortie. Pour usage intérieur uniquement.

Backfeed Protection / Protection contre le retour d'énergie

**THE TORO COMPANY**  
8111 Lyndale Avenue South  
Bloomington, MN 55420-1196 USA  
Country of Origin: China / Pays d'origine : Chine  
Manufactured by CHANGZHOU GLOBE CO.,LTD  
Fabriqué par CHANGZHOU GLOBE CO.,LTD

Model: **88507 SL**  
Modèle: **88507 SL**  
Serial Number:   
Numéro de série:   
Date Code:   
Code de date:

11HF6

125-3225

**WARNING** TO REDUCE THE RISK OF INJURY, USER MUST READ INSTRUCTION MANUAL. Do not expose to rain. Use only Toro battery model 88508 & 88509.

**AVERTISSEMENT** POUR RÉDUIRE LES RISQUES DE BLESSURES, LISEZ ATTENTIVEMENT LE MANUEL DE L'UTILISATEUR. Ne l'exposez pas à la pluie. Utilisez uniquement avec batterie TORO 88508 & 88509.

48V MAX\* DC 6.055" line / 1.65mm ligne  
Country of Origin: China / Pays d'origine : Chine  
Manufactured by CHANGZHOU GLOBE CO.,LTD  
Fabriqué par CHANGZHOU GLOBE CO.,LTD

Model: **51488T**  
Modèle: **51488T**  
Serial Number:   
Numéro de série:   
Date Code:   
Code de date:

218549  
GARDENING  
APPLIANCES

121-7667

1. Warning—read the *Operator's Manual*; do not operate in the rain; wear eye protection.

**WARNING** TO REDUCE THE RISK OF INJURY, USER MUST READ INSTRUCTION MANUAL. Do not expose to rain. Use only Toro battery model 88508 & 88509.

**AVERTISSEMENT** POUR RÉDUIRE LES RISQUES DE BLESSURES, LISEZ ATTENTIVEMENT LE MANUEL DE L'UTILISATEUR. Ne l'exposez pas à la pluie. Utilisez uniquement avec batterie TORO 88508 & 88509.

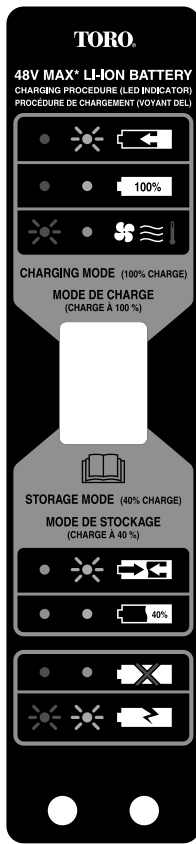
48V MAX\* DC 6.055" line / 1.65mm ligne  
Country of Origin: China / Pays d'origine : Chine  
Manufactured by CHANGZHOU GLOBE CO.,LTD  
Fabriqué par CHANGZHOU GLOBE CO.,LTD

Model: **51488**  
Modèle: **51488**  
Serial Number:   
Numéro de série:   
Date Code:   
Code de date:

218549  
GARDENING  
APPLIANCES

125-3236

1. Warning—read the *Operator's Manual*; do not operate in the rain; wear eye protection.



**⚠️ WARNING**

To reduce risk of injury to persons, remove battery pack when not in use. Use safety glasses or similar eye protection.

**⚠️ AVERTISSEMENT**

Pour réduire les risques de blessures corporelles, retirez l'ensemble batterie quand la machine ne sert pas. Portez des lunettes de sécurité ou autres protections oculaires du même genre.

**⚠️ WARNING**

To reduce the risk of injury to persons, do not operate without guards in place.

**⚠️ AVERTISSEMENT**

Pour réduire les risques de blessures, n'utilisez jamais la machine sans ses protections.

**121-7651**

# Setup

## Loose Parts

Use the chart below to verify that all parts have been shipped.

Procedure	Description	Qty.	Use
<b>1</b>	No parts required	–	
<b>2</b>	Guard Phillips head screw	1 2	Mount the guard to the base of the trimmer.
<b>3</b>	Auxiliary handle Latch Brace	1 1 1	Install the auxiliary handle.
<b>4</b>	No parts required	–	Adjusting the handle height.

# 1

## Assembling the Trimmer

### No Parts Required

#### Procedure

1. Remove the tape and the tube from the upper pole (Figure 1).

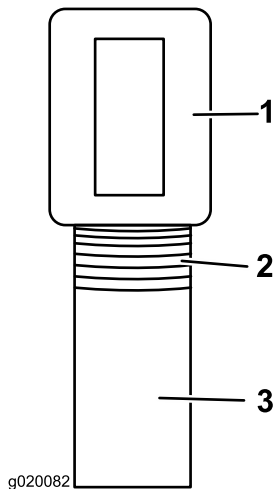


Figure 1

1. Tube
2. Tape
3. Upper pole

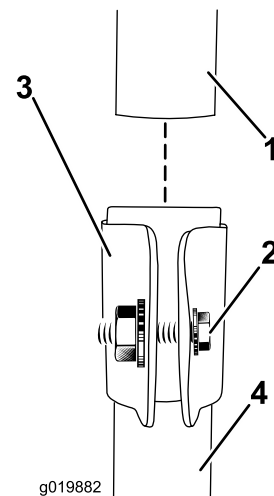


Figure 2

1. Upper pole
2. Screw
3. Clamp

3. Cut the zip-tie away from your body and remove it from the trigger handle (Figure 3).

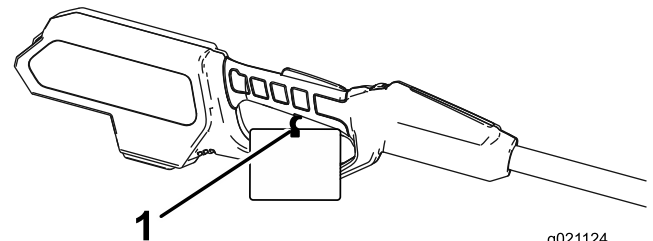


Figure 3

1. Zip-tie

2. Slide the upper pole into the lower pole, lining up the tabs in the upper pole with the receiving tabs in the lower pole, and secure it by tightening the screw (Figure 2).

**Note:** There is an audible click when the upper pole and lower pole are in the proper position.

# 2

## Installing the Guard

### Parts needed for this procedure:

1	Guard
2	Phillips head screw

### Procedure

1. Remove the 2 Phillips head screws taped to the guard (Figure 4).
2. Slide the guard onto the trimmer base as shown in Figure 4.

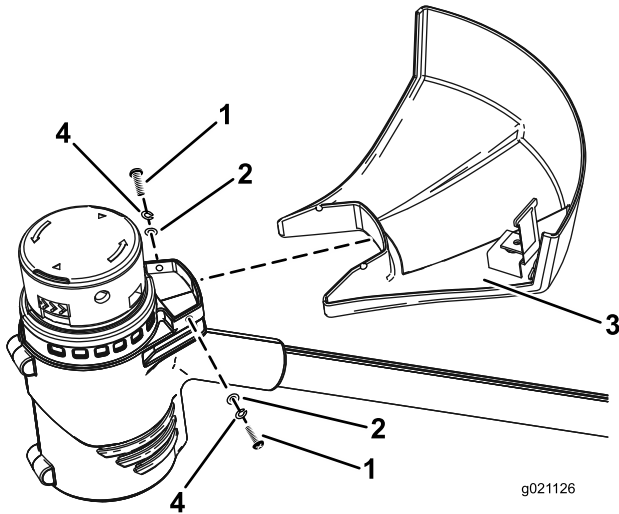


Figure 4

- |                        |                |
|------------------------|----------------|
| 1. Phillips head screw | 3. Guard       |
| 2. Washer              | 4. Lock washer |

3. Secure the guard using 2 Phillips head screws.

# 3

## Installing the Auxiliary Handle

### Parts needed for this procedure:

1	Auxiliary handle
1	Latch
1	Brace

### Procedure

1. Position the auxiliary handle on the upper shaft of the trimmer with the smooth surface facing the operator (Figure 5).

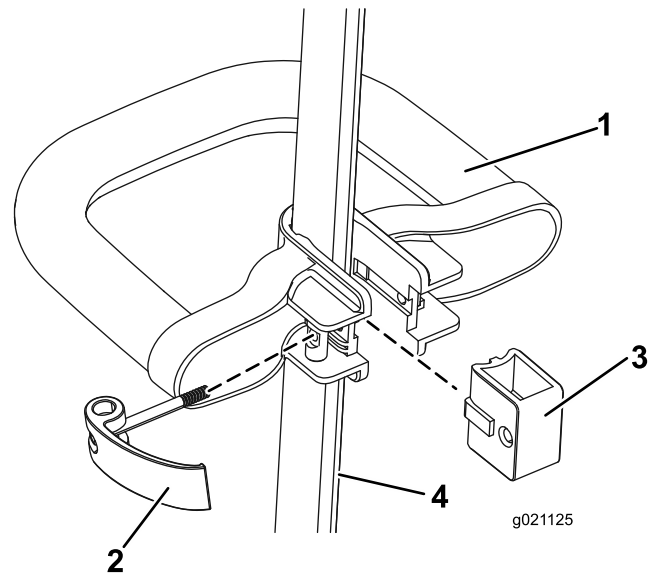


Figure 5

- |                     |                |
|---------------------|----------------|
| 1. Auxiliary handle | 3. Brace       |
| 2. Latch            | 4. Upper shaft |

2. Slide the brace into the auxiliary handle so that the brace rests in the groove along the shaft (Figure 5).
3. Slide the latch from the left through the handle and brace as shown in Figure 5 and tighten the latch screw with a Phillips head screwdriver.

# 4

## Adjusting the Handle Height

### No Parts Required

### Procedure

To adjust handle height, flip the auxiliary handle latch, slide it up or down to the desired height, then secure it in place by closing the latch (Figure 6).

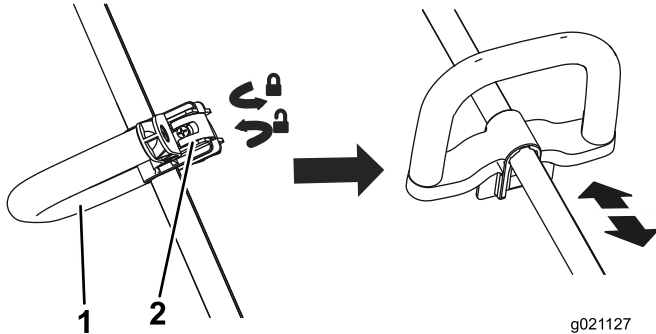


Figure 6

1. Auxiliary handle
2. Auxiliary handle latch

## Operation

**Important:** The battery pack is not fully charged when it is purchased. Before using the trimmer for the first time, place the battery pack in the charger and charge it until the LED display indicates the battery is charged. Make sure to read all safety precautions. With regular use, it will need shorter charging time. If storing for 1 month or longer, enable storage mode on the charger. When ready to use again, charge the battery pack until the LED display indicates the battery is charged. Refer to [Charging the Battery Pack \(page 8\)](#).

## Starting the Trimmer

1. Align the tongue of the battery pack with the cavity in the handle housing (Figure 7).

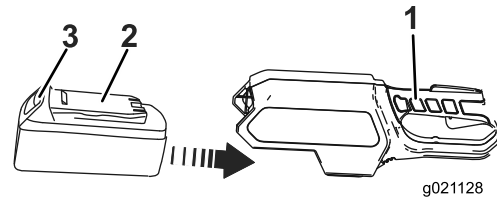


Figure 7

1. Trigger handle
2. Tongue
3. Latch

2. Grasp the trigger handle (Figure 7).
3. Push the battery pack into the handle until the latch locks into place.
4. To start the trimmer, hold down the lock switch, then squeeze the trigger (Figure 8).

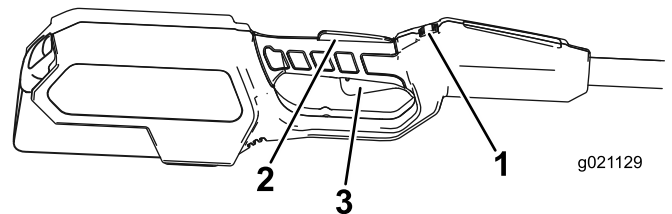


Figure 8

1. Thumb wheel
2. Lock switch
3. Trigger

- Slide the thumb wheel away from you to increase the motor speed, and towards you to decrease motor speed (Figure 9).

**Note:** A higher motor speed is effective for trimming thicker grass, but will decrease the battery operation time. Use a lower motor speed to increase the operation time.

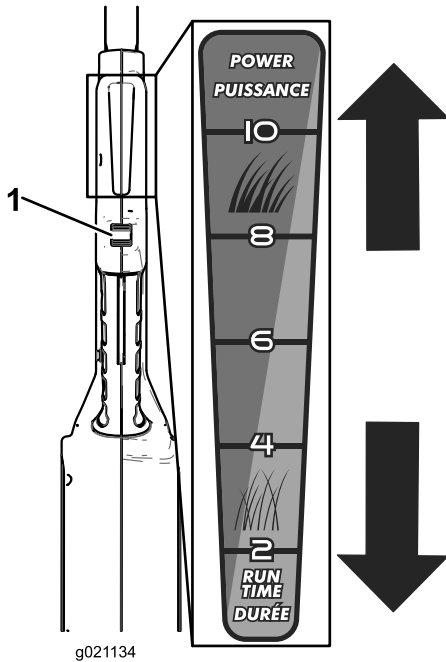


Figure 9

- Thumb wheel

## Stopping the Trimmer

To stop the trimmer, release the trigger (Figure 8).

## Charging the Battery Pack

**Important:** For best results, your battery tool should be charged in a location where the temperature is more than 5° C (41° F) but less than 40° C (104° F). To reduce the risk of serious personal injury, do not store outside or in vehicles. Charging time will be increased if not charged within this range.

- If the power cord is not plugged in to the charger, plug it in to the charger (Figure 10), then plug the power cord into a power socket.
- Turn the battery upside down and line up the battery terminal with the slot in the charger (Figure 10 and Figure 11).

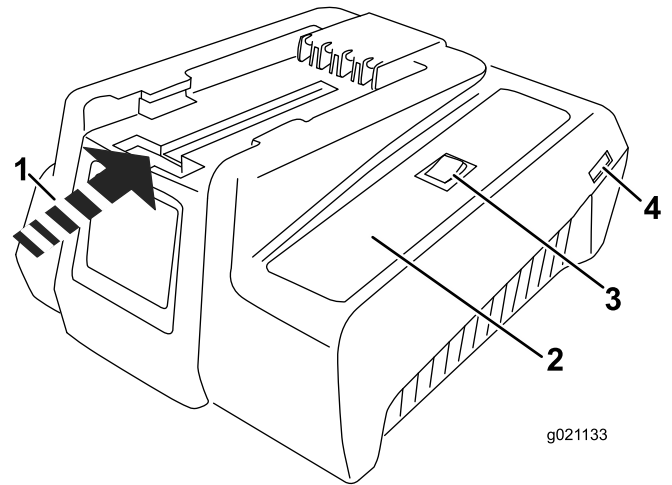


Figure 10

- Insert battery here
- LED indicators
- Charge/storage mode switch
- Power cord plug-in location

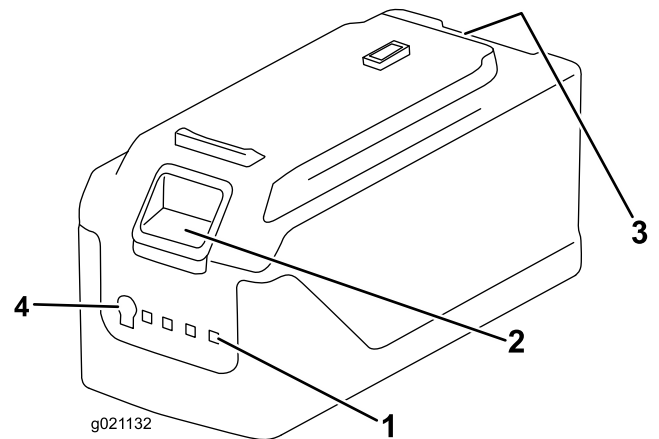
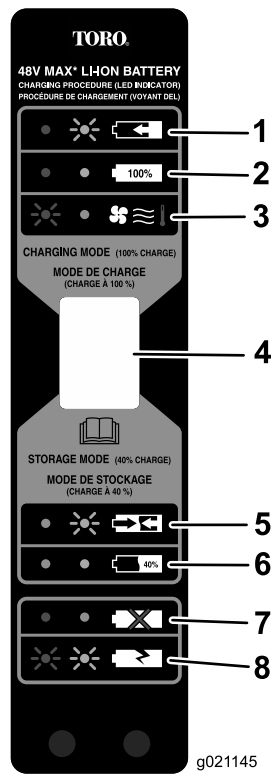


Figure 11

- LED indicators (level of charge)
- Release button
- Battery terminal
- Test button

- Slide the battery into the charger until it clicks into place.
- To remove the battery, pull up on the release button and slide the battery backwards out of the charger.

- Refer to [Figure 12](#) to interpret the LED indicators on the battery charger.



**Figure 12**

- |   |  |
|---|--|
| 1. Red light on; green light flashing—battery is charging.  | 5. Red light off; green light flashing—battery is preparing for storage. |
| 2. Red light on; green light on—battery is fully charged.   | 6. Red light off; green light on—battery is prepared for storage.        |
| 3. Red light flashing; green light off—abnormal battery temperature (greater than 40 C (104 F) or less than 5 C (41 F). | 7. Red light on; green light off—no battery inserted.                    |
| 4. Charge/storage mode switch   | 8. Red light flashing; green light flashing—battery is defective.        |

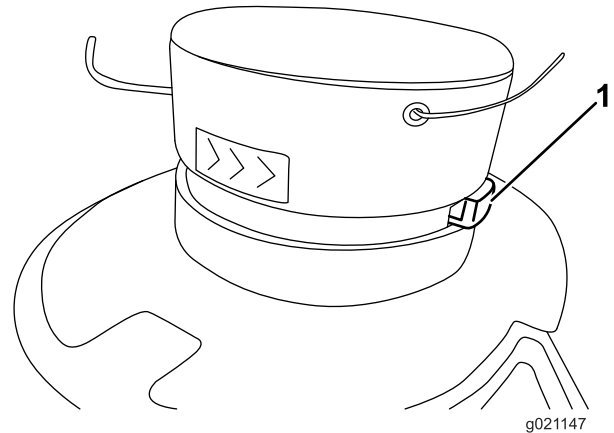
## Advancing the Line

The trimmer is equipped with an auto-feed head. **The line will advance 6 mm (1/4 inch) each time you stop and start the trimmer.** When the line reaches the blade in the deflector, it will be cut off at that length.

- With the trimmer running, release the switch trigger.
- Wait two seconds to allow the trimmer head to stop rotating, then press the switch trigger.
- Resume trimming.

## Advancing the Line Manually

Remove the battery from the string trimmer, then push the red button at the base of the spool retainer while pulling on the trimmer line to manually advance the line.



**Figure 13**

- Button

**Important:** If the charger indicates an abnormal battery temperature, allow the battery to cool or warm up as needed before inserting the battery into the charger.

Storing a lithium-ion battery at 40% of its capacity maximizes battery life.

Use storage mode ([Figure 12](#)) when the battery will not be used for 1 month or longer.

- Insert the battery into the charger.
- Turn storage mode on.
- The battery will charge or discharge as necessary to approximately 40% charge.
- When the battery is ready for storage ([Figure 12](#), item 6.), remove the battery from the charger.

# Trimming



Figure 14

## Operating Tips

- Keep the trimmer tilted toward the area being cut; this is the best cutting area (Figure 15, item 2.).
- The string trimmer cuts when passing the unit from left to right. This will avoid throwing debris at the operator.
- Use the tip of the string to do the cutting; do not force string head into uncut grass.
- Wire and picket fences cause extra string wear, even breakage. Stone and brick walls, curbs, and wood may wear string rapidly.
- Avoid trees and shrubs. Tree bark, wood moldings, siding, and fence posts can easily be damaged by the strings.

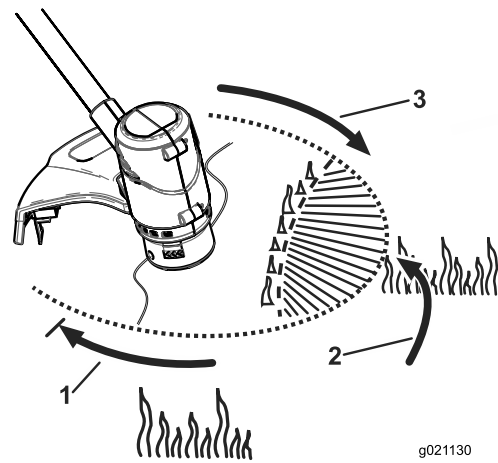


Figure 15

1. Direction of rotation
2. Ideal cutting range
3. String path

## Maintenance

After each use of the trimmer, complete the following:

1. Remove the battery from the trimmer.
2. Wipe the trimmer clean with a damp cloth. **Do not hose the trimmer down or submerge it in water.**

### ⚠ CAUTION

The line cut-off blade on the deflector is sharp and can cut you. Do not use your hands to clean the deflector shield and blade.

3. Wipe or scrape clean the cutting head area any time there is an accumulation of debris.
4. Check and tighten all fasteners. If any part is damaged or lost, repair or replace it.
5. Brush debris away from the air vents on the motor housing and shaft to prevent the motor from overheating (Figure 16).

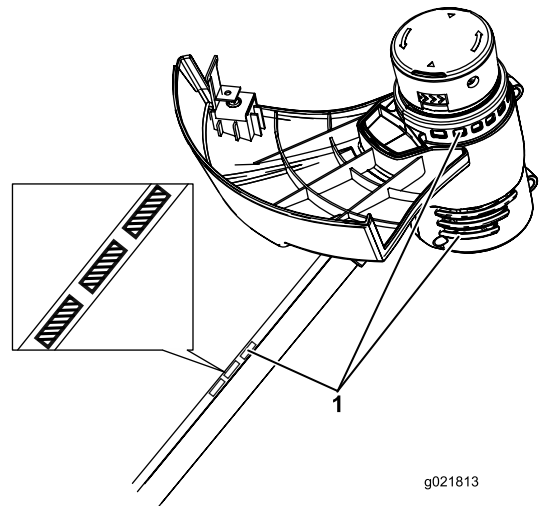


Figure 16

1. Air vents

## Replacing the Spool

Use only .065 inch (1.6 mm) diameter monofilament string. Use original manufacturer's replacement string for best performance (Toro part number 88518 and 88528).

1. Remove the battery.
2. Push in the tabs on the side of the spool retainer (Figure 17).

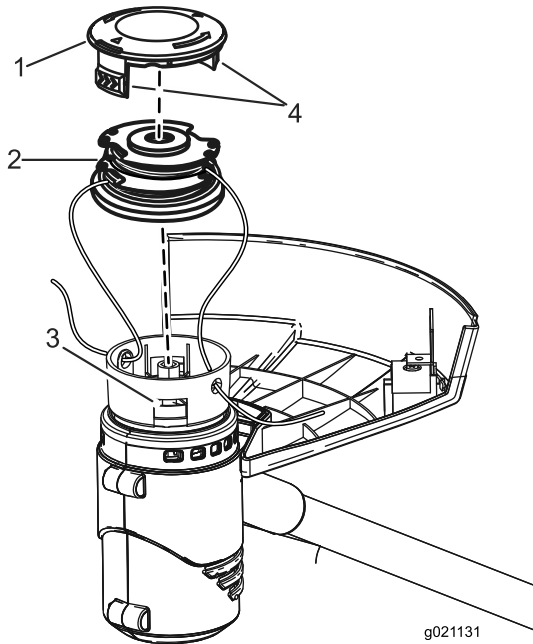


Figure 17

- |                   |          |
|-------------------|----------|
| 1. Spool retainer | 3. Slots |
| 2. Spool          | 4. Tabs  |

3. Pull the spool retainer up to remove it and remove the spool.
4. To install the new spool, make sure the strings are captured in the retaining slots on the new spool. Make sure the end of the strings extends approximately 6 inches (152 mm).
5. Thread the strings into the eyelet. Install the new spool so that the strings align with the eyelets in the string head.
6. Pull the strings extending from the string head so the strings release from the slots in the spool.
7. Reinstall the spool retainer by depressing tabs into slots and pushing down until spool retainer clicks into place.

## Replacing the String

1. Remove the battery.
2. Remove the spool. See Replacing the Spool (Figure 17).

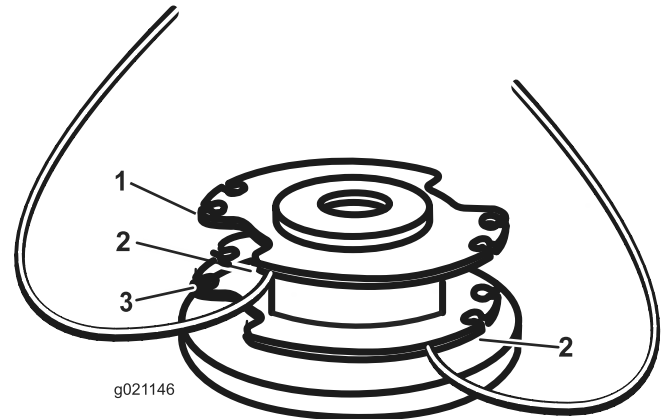


Figure 18

- |                               |                               |
|-------------------------------|-------------------------------|
| 1. Slot in upper spool flange | 3. Slot in lower spool flange |
| 2. Hole                       |                               |

**Note:** Remove any old string remaining on the spool.

3. The spool will accept up to 15 feet (4.5 m) of string. **Use only .065 inch (1.6 mm) diameter monofilament string.**

**Note:** Do not use any other gauge or type of string, as this could damage the trimmer.

4. Insert the string into the anchor holes in the upper part of the spool (Figure 18). Wind the string onto the spool in the direction shown by the arrows on the spool.
5. Place the string in the slot on the upper spool flange, leaving about 6 inches (152 mm) extended beyond the slot.
6. Repeat steps 4 and 5 for the lower string.

**Note:** Do not overfill. After winding the string, there should be at least 1/4 inch (6 mm) between the wound string and the outside edge of the spool.

7. Replace the spool and the spool retainer. Refer to Spool Replacement earlier in this manual.

# Battery Pack Preparation For Recycling

## **⚠ WARNING**

Upon removal, cover the battery pack's terminals with heavy-duty adhesive tape. Do not attempt to destroy or disassemble the battery pack or remove any of its components. Lithium-ion batteries must be recycled or disposed of properly at the nearest battery recycling facility.

## Service

Should this item need service, take the product to your Authorized Toro Service Dealer. Your Toro Dealer is specially trained to repair Toro products and will ensure that your Toro stays "All" Toro.

## Storage

- Clean all foreign material from the product.
- Store it in a well-ventilated place that is inaccessible to children.
- Keep away from corrosive agents such as garden chemicals and de-icing salts.
- Use the storage mode on the battery charger if it will be unused for 1 month or longer. Refer to [Charging the Battery Pack \(page 8\)](#).

## Troubleshooting

Using the battery when it is hot can reduce the operating time. The battery will automatically stop working when it is overheated to prevent damage to it. Remove the battery from the charger and allow it to cool before placing it back into the trimmer.

Using the battery when there is moisture on the leads can cause the trimmer to malfunction. Allow the battery to dry or wipe it dry before placing it back into the trimmer.

Using the trimmer to cut thick grass in temperatures above 32° C (90° F) may reduce the run time. Decrease the motor speed to help increase the operating time; refer to ( [Starting the Trimmer \(page 7\)](#)).

Failing to clear debris from the trimmer head vents may result in reduced run time. The trimmer may also stop working when it is overheated to prevent damage to the trimmer. Clear debris from the air vents on the motor housing and shaft and allow the trimmer to cool before attempting to use the trimmer again. Refer to [Maintenance \(page 10\)](#)

# Notes:

**Notes:**

**Notes:**

## The Toro Promise - Electric Products

### A Three-Year Full Warranty for Residential Use for the United States and Canada

The Toro Company and its affiliate, Toro Warranty Company, pursuant to an agreement between them, jointly warrant this product for three years against defects in material or workmanship when used for normal residential purposes.\*

If you think your Toro Product contains a defect in materials or workmanship, if you have questions or problems, and before returning this product call toll free:

**Trimmers:**

1-800-237-2654 (US)  
1-800-248-3258 (Canada)

**Blowers:**

1-888-367-6631 (US)  
1-888-430-1687 (Canada)

**Snowthrowers:**

1-800-808-2963 (US)  
1-800-808-3072 (Canada)

To receive a replacement or repair, at our option, return the complete unit to the seller. United States and Canada customers may return their product, with proof of purchase, to any Authorized Service Dealer. United States customers may also return their product, with proof of purchase, postage prepaid, to the Toro Service Center, 5500 SE Delaware, Ankeny, IA 50021.

This warranty covers product defects only. **Neither The Toro Company nor Toro Warranty Company is liable for indirect, incidental, or consequential damages in connection with the use of the Toro Products covered by this warranty, including any cost or expense of providing substitute equipment or service during reasonable periods of malfunction or non-use pending completion of repairs under this warranty. Some states do not allow exclusions of incidental or consequential damages, so the above exclusions may not apply to you.** This warranty gives you specific legal rights, and you may also have other rights which vary from state to state.

### Countries Other than the United States and Canada

Customers who have purchased Toro products exported from the United States or Canada should contact their Toro Distributor (Dealer) to obtain guarantee policies for your country, province, or state. If for any reason you are dissatisfied with your Distributor's service or have difficulty obtaining guarantee information, contact the Toro importer. If all other remedies fail, you may contact us at Toro Warranty Company.

### Australian Consumer Law

Australian customers will find details relating to the Australian Consumer Law either inside the box or at your local Toro Dealer.

\* Residential use means use of the product on the same lot as your home.

Part Number 374-0262 Rev. F