



Count on it.

Parts Catalog

**Groundsmaster® 360 4-Wheel
Drive Multi-Purpose Machine
with Cab**

Model No. 30542—Serial No. 312000001 and Up



Ordering Replacement Parts

To order replacement parts, please supply the part number, the quantity, and the description of each part desired.

Understanding Reference Numbers

Each identified part in an illustration has a reference number. The reference number for a part also appears in the parts list, along with other information about the part.

This catalog uses two special reference number formats, one to indicate parts in a service assembly and another to indicate the quantity of a given part in an illustration.

Service Assembly Reference Numbers

Parts in service assemblies have reference numbers in the form a:b. The a represents the reference number of the entire service assembly and the b represents a sequential number unique to each part within the service assembly.

For example, a wheel assembly might be identified by reference number 6, the tire by 6:1, the valve by 6:2, and the wheel by 6:3. When you order the assembly identified by reference number 6, you receive all parts identified by reference numbers 6:1, 6:2, and 6:3. However, you may also order any part individually. Reference numbers of this type appear in illustration and in parts lists.

Reference Numbers Indicating Quantity

In an illustration, if a reference number indicates more than one part, the reference number has the form nX y. The n represents the quantity of the part, the X is the multiplication symbol, and the y represents the reference number.

For example, in an illustration, the reference number 2X 37 means that two of the parts identified by reference number 37 are indicated.

List of Abbreviations

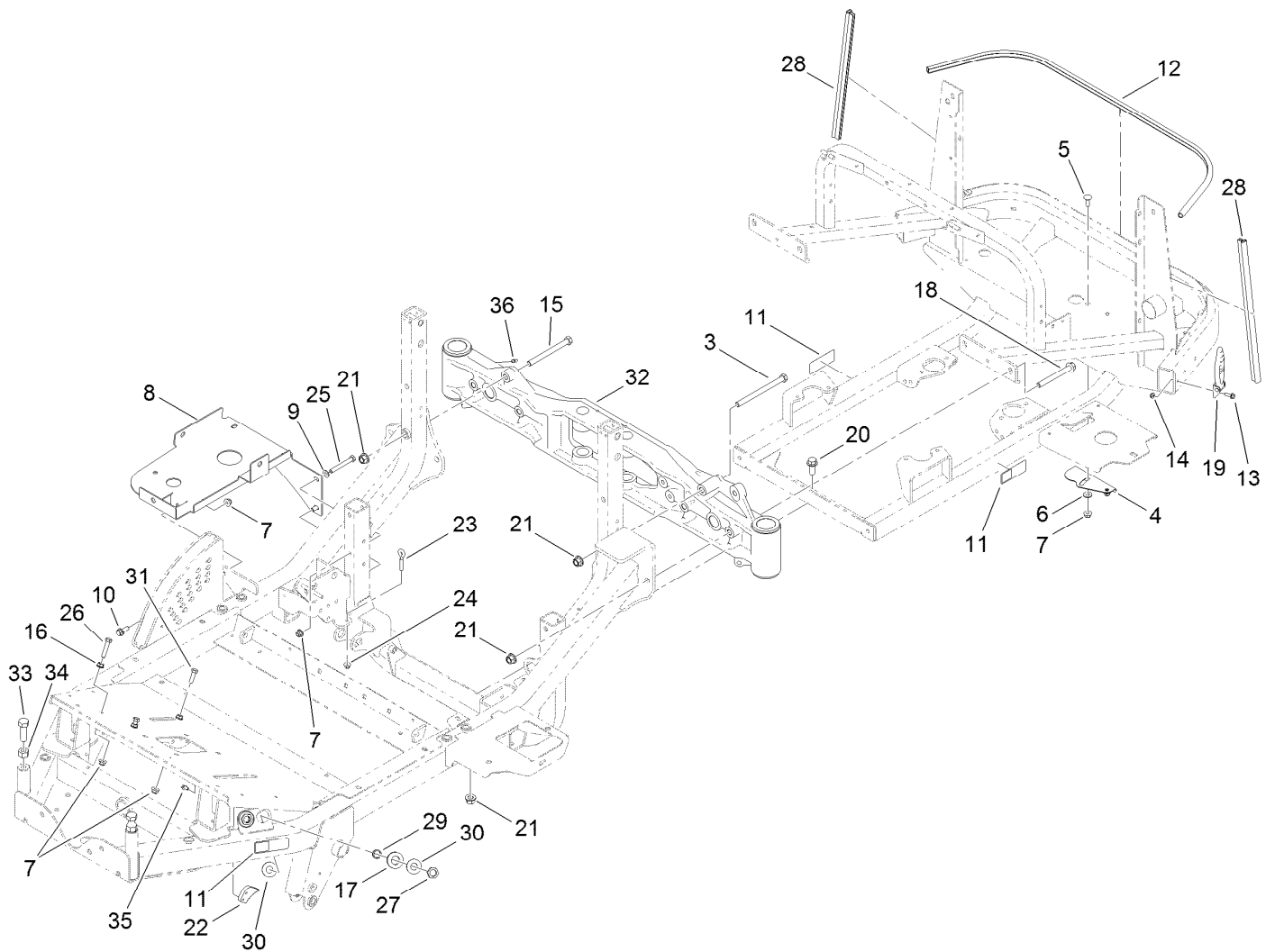
| | | |
|--|--|--|
| AR: as required | HLH: hex lag head | PTO: power-take-off |
| ASM: assembly | HOC: height-of-cut | RH: right hand |
| BBC: blade brake control | HSBH: hex socket button head | ROPS: roll-over protection system |
| BHTF: button head thread forming | HSFH: hex socket flat head | RRB: rear roller brush |
| CARR: carriage | HSH: hex socket head | SFH: slotted fillister head |
| CCW: counter clockwise | HWH: hex washer head | SHH: slotted hex head |
| CW: clockwise | HWHTF: hex washer head thread forming | SHWH: slotted hex washer head |
| DEG: degrees | HYD: hydraulic | SPH: slotted pan head |
| DPA: Dual Point Adjustment | LH: left hand | SQH: square head |
| ECM: electronic control module | LP: Liquefied Petroleum Gas | SRH: slotted round head |
| EXT: external | LPG: Liquefied Petroleum Gas | STD: standard |
| FH: flat head | NI: nylon insert | TAP: self tapping |
| GA: gauge | NPTF: national pipe thread fine | TTH: torx truss head |
| HD: heavy-duty | PFH: phillips flat head | |
| HF: hex flange | PPH: phillips pan head | |
| HH: hex head | PPHTF: phillips pan head thread forming | |
| HHF: hex head flange | PRH: phillips round head | |
| HHFTF: hex head flange thread forming | PTH: phillips truss head | |
| HJ: hex jam | | |

Contents

| | |
|--|----|
| Frame and Axle Assembly | 5 |
| Lift Shaft and Linkage Assembly | 6 |
| Hydraulic Cylinder Assembly No. 110-9834 | 7 |
| Front Axle and Tie Rod Assembly | 8 |
| Front Axle Assembly No. 119-1447 | 10 |
| Hydraulic Cylinder Assembly No. 115-0060 | 11 |
| Rear Steering Assembly | 12 |
| 4 Wheel Drive Steering Assembly | 14 |
| Front Cover Assembly | 15 |
| Engine Component Assembly | 16 |
| Transmission Component Assembly | 17 |
| Charge Pump Housing Assembly Transmission Assembly No. 120-9140 | 18 |
| Center Section Assembly Transmission Assembly No. 120-9140 | 19 |
| Gear Case and Clutch Assembly Transmission Assembly No. 120-9140 | 20 |
| Driveshaft Assembly No. 110-3575 | 21 |
| Radiator Component Assembly | 22 |
| Radiator and Cooler Assembly | 23 |
| Muffler Assembly | 24 |
| Battery and Fuel Delivery Assembly | 25 |
| Air Cleaner Assembly | 26 |
| Steering Column Assembly | 27 |
| Steering Column Assembly No. 117-3371 | 28 |
| Steering Valve Assembly No. 117-3265 | 29 |
| Fuel Tank and Control Panel Component Assembly | 30 |
| Fuel Tank Assembly No. 120-0255 | 31 |
| Seat Plate Assembly | 32 |
| 4 Wheel Drive Module Control and Relay Assembly | 33 |
| Brake Pedal Assembly | 34 |
| Wheel and Brake Assembly | 35 |
| Left Hand Brake Assembly No. 120-0235 | 36 |
| Right Hand Brake Assembly No. 120-0233 | 37 |
| 4 Wheel Drive Hydraulic Motor and Fitting Assembly | 38 |
| Hydraulic Motor Assembly No. 117-3284 (CCW) | 39 |
| Hydraulic Motor Assembly No. 117-3285 (CW) | 40 |
| Neutral and Traction Pedal Assembly | 41 |
| Traction Pump Linkage Assembly | 42 |
| Link Assembly No. 112-5099 | 43 |
| Hood Assembly | 44 |
| Deck Lift Valve and Hydraulic Fitting Assembly | 45 |
| Hydraulic Gear Pump Assembly No. 115-0375 | 47 |
| Deck Lift Valve Assembly No. 115-0356 | 48 |
| Hydraulic Tube and Hose Assembly | 49 |
| Hydraulic Valve Assembly | 51 |
| Steering Selector Valve Assembly No. 115-0280 | 52 |
| Cross-Trax Traction Valve Assembly No. 117-2247 | 53 |
| 4 Wheel Drive Hydraulic Hose Assembly | 54 |
| Electrical Assembly | 55 |
| Cab Wire Harness Assembly | 56 |
| Cab Platform Assembly | 57 |
| Cab Windshield Assembly | 58 |
| Cab Rear Window Assembly | 59 |
| Cab Right Door Assembly | 60 |
| Cab Right Window Assembly | 61 |
| Cab Left Door Assembly | 62 |

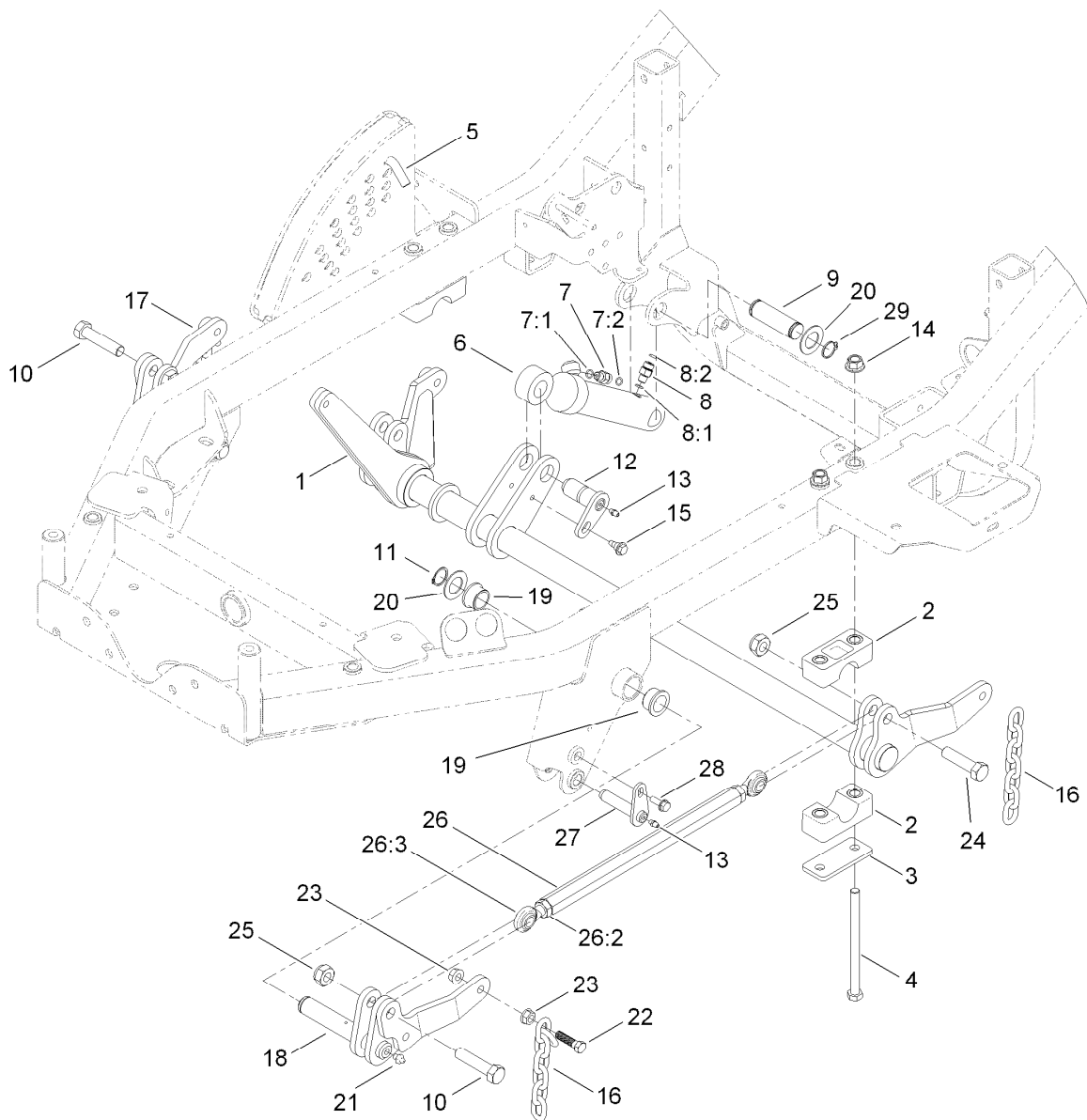
Contents (continued)

| | |
|---|-----|
| Cab Left Window Assembly | 63 |
| Cab Frame Assembly | 64 |
| Cab Headliner Assembly | 65 |
| Wiper Assembly No. 119-8350 | 66 |
| Cab Switchplate and Fuse Block Assembly | 67 |
| Cab Roof and Hose Assembly | 68 |
| Cab A/C Heater and Evaporator Assembly | 69 |
| Cab Condensor Assembly | 70 |
| Foam Installation Assembly | 71 |
| Air Conditioning Assembly | 72 |
| Seat Assembly | 73 |
| Cloth Air Ride Seat Assembly | 74 |
| Harness Clip Assembly | 75 |
| Roller, Belt and Pulley Assembly | 76 |
| Deck Decal Assembly No. 108-9903 | 77 |
| Low Driven Spindle Assembly No. 119-4776 | 78 |
| High Driven Spindle Assembly No. 119-4549 | 79 |
| Double Driven Spindle Assembly No. 119-4548 | 80 |
| Cover and Gearbox Assembly | 81 |
| Gearbox Assembly No. 117-9245-03 | 82 |
| Adjustment Link and Bumper Assembly | 83 |
| Crankcase Assembly | 84 |
| Oil Pan Assembly | 85 |
| Cylinder Head Assembly | 86 |
| Gear Case Assembly | 87 |
| Cylinder Head Cover Assembly | 88 |
| Dipstick and Guide Assembly | 89 |
| Main Bearing Case Assembly | 90 |
| Cam Shaft and Idle Gear Assembly | 91 |
| Piston and Crankshaft Assembly | 92 |
| Flywheel Assembly | 93 |
| Fuel Camshaft and Governor Shaft Assembly | 94 |
| Idle Apparatus Assembly | 95 |
| Injection Pump Assembly | 96 |
| Governor Assembly | 97 |
| Speed Control Plate Assembly | 98 |
| Nozzle Holder and Glow Plug Assembly | 99 |
| Nozzle Holder Component Assembly | 100 |
| Alternator and Pulley Assembly | 101 |
| Alternator Components | 102 |
| Starter Assembly | 103 |
| Starter (Component Part) Assembly | 104 |
| Water Flange Assembly | 105 |
| Water Pump Assembly | 106 |
| Valve and Rocker Arm Assembly | 107 |
| Intake and Exhaust Manifold Assembly | 108 |
| Muffler Gasket and Operator Manual | 109 |
| Attachments and Accessories | 110 |



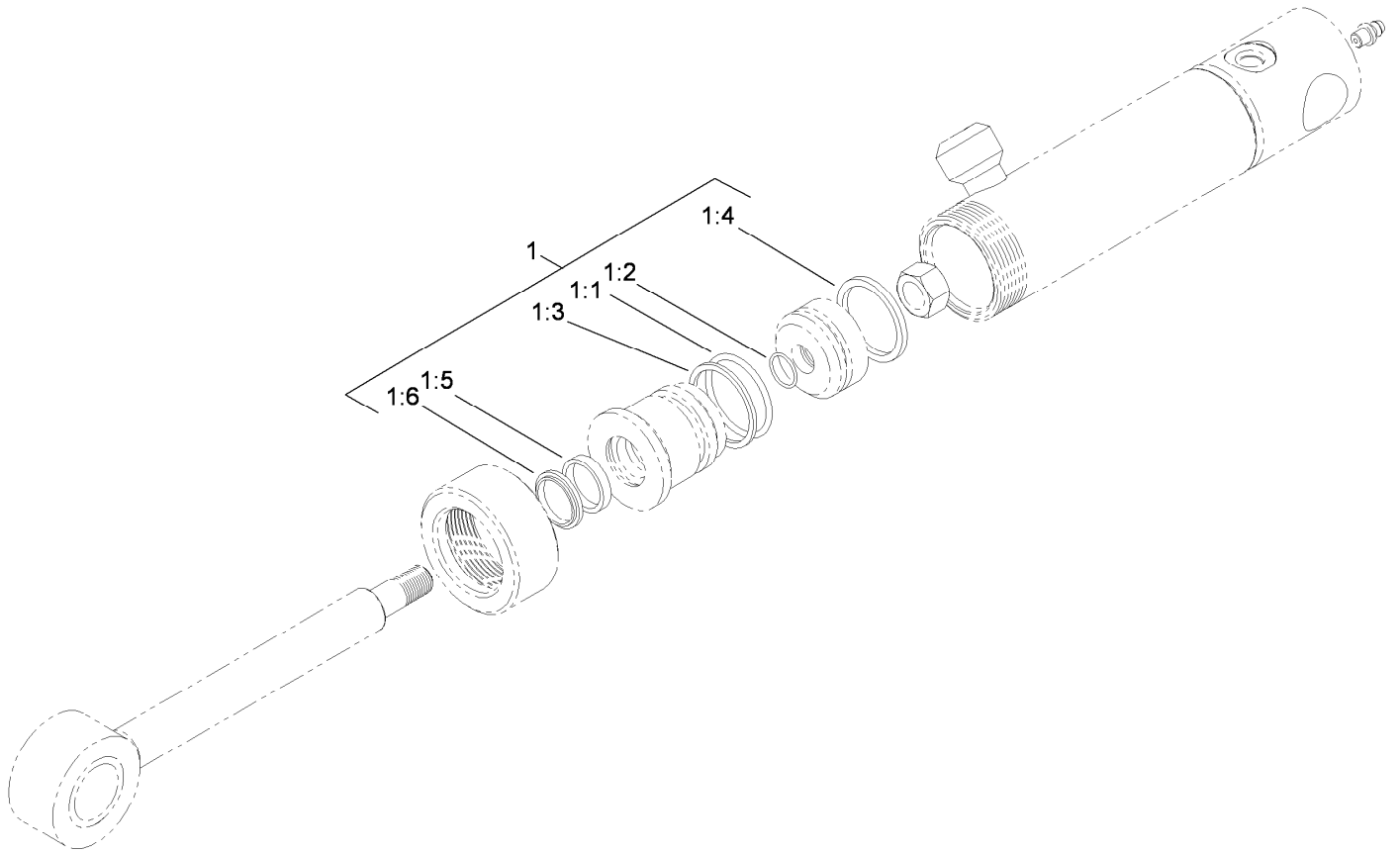
Frame and Axle Assembly

| <i>Ref.</i> | <i>Part Number</i> | <i>Qty.</i> | <i>Description</i> | <i>Ref.</i> | <i>Part Number</i> | <i>Qty.</i> | <i>Description</i> |
|-------------|--------------------|-------------|---------------------|-------------|--------------------|-------------|--------------------|
| 3 | 325-33 | 1 | Screw-HH | 20 | 3234-38 | 3 | Screw-HHF |
| 4 | 117-3190 | 1 | Cover-Lower | 21 | 99-5107 | 9 | Nut-Lock |
| 5 | 3231-22 | 2 | Screw-CARR | 22 | 99-7214 | 1 | Pawl-Brake |
| 6 | 66-2920 | 2 | Washer-Friction | 23 | 1-303238 | 1 | Eyebolt-Thread, RH |
| 7 | 104-8301 | 8 | Nut-Flange, NI | 24 | 104-8300 | 1 | Nut-Flange, NI |
| 8 | 117-3385-03 | 1 | Bracket-Tank, HYD | 25 | 323-14 | 2 | Screw-HH |
| 9 | 3256-24 | 2 | Washer-Flat | 26 | 323-53 | 2 | Screw-HH |
| 10 | 3234-24 | 1 | Screw-HHF | 27 | 340-70 | 2 | Nut-Lock |
| 11 | 106-9206 | 4 | Decal-Torque, Wheel | 28 | 107-2269 | 2 | Seal-Bulb |
| 12 | 117-3311 | 1 | Seal-Bulb | 29 | 69-8970 | 2 | Spacer |
| 13 | 3234-4 | 2 | Screw-HHF | 30 | 69-8940 | 4 | Washer |
| 14 | 104-7201 | 2 | Nut-HF | 31 | 323-7 | 1 | Screw-HH |
| 15 | 325-22 | 1 | Screw-HH | 32 | 119-1448 | 1 | Rear Axle ASM |
| 16 | 3290-357 | 3 | Nut-HHF, Whiz | 33 | 327-6 | 2 | Screw-HH |
| 17 | 240-4 | 2 | Grommet-Rubber | 34 | 3217-11 | 2 | Nut-Hex |
| 18 | 117-3176 | 4 | Screw-HHF | 35 | 3234-13 | 2 | Screw-HHF |
| 19 | 103-2898 | 2 | Latch-Rubber | 36 | 302-5 | 2 | Fitting-Grease |



Lift Shaft and Linkage Assembly

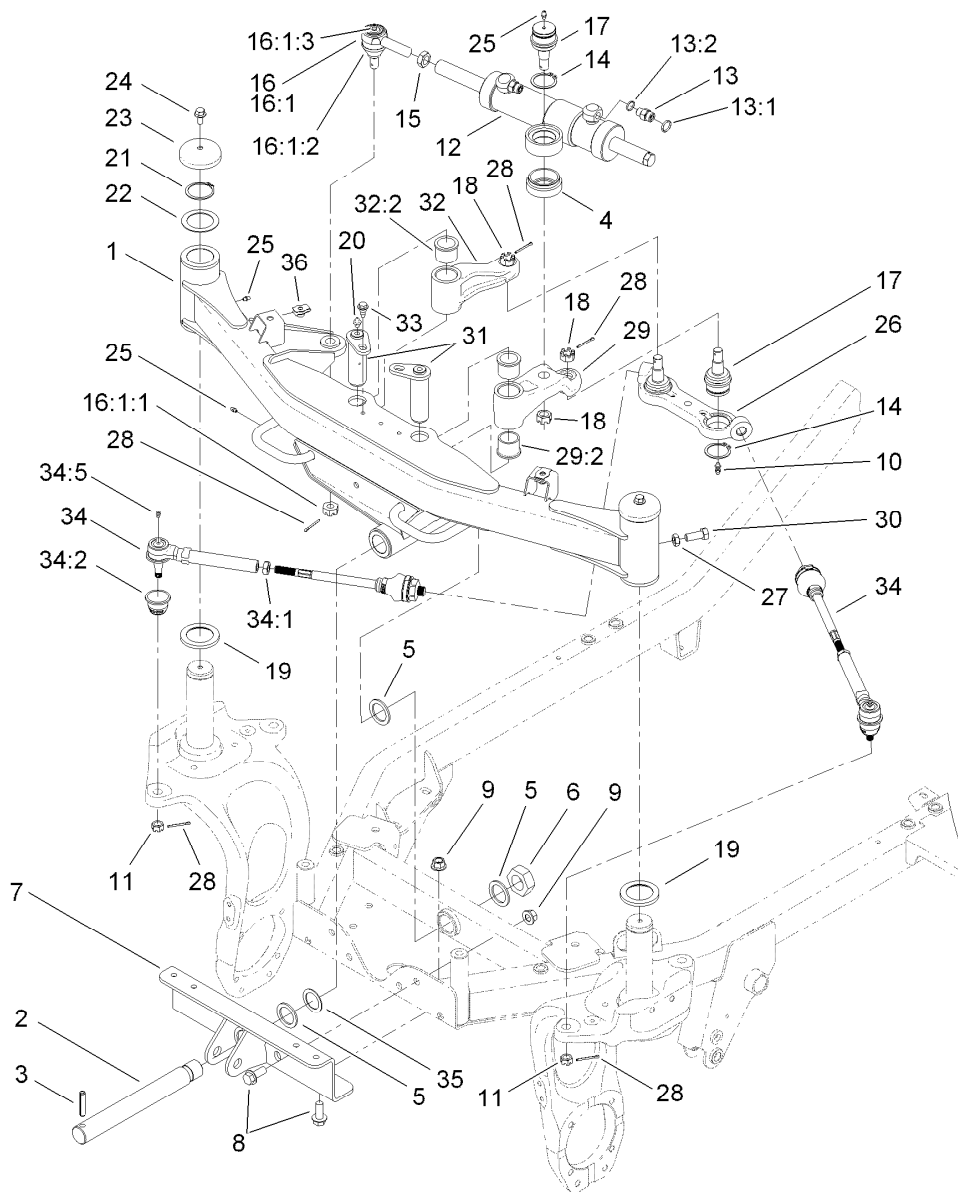
| Ref. | Part Number | Qty. | Description | Ref. | Part Number | Qty. | Description |
|------|-------------|------|-----------------------|------|-------------|------|---------------------|
| 1 | 115-0190-03 | 1 | Shaft-Lift | 15 | 99-5105 | 1 | Bolt-Shoulder |
| 2 | 115-0491 | 4 | Cap-Bearing | 16 | 119-1385 | 4 | Chain-HOC |
| 3 | 117-2903 | 2 | Plate-Bearing | 17 | 119-1380-03 | 1 | Lift-RH |
| 4 | 325-37 | 4 | Screw-HH | 18 | 119-1383-03 | 1 | Lift-LH |
| 5 | 112-9544 | 1 | Pin-HOC | 19 | 114-5680 | 4 | Bushing-Flange |
| 6 | 110-9834 | 1 | HYD Cylinder ASM | 20 | 69-9010 | 4 | Washer |
| 7 | 340-92 | 1 | Fitting-HYD, Straight | 21 | 302-2 | 2 | Fitting-Grease |
| 7:1 | 237-78 | 1 | O-Ring | 22 | 103-1898 | 4 | Screw-HH |
| 7:2 | 237-21 | 1 | O-Ring | 23 | 32128-37 | 8 | Nut-HF |
| 8 | 95-1639 | 1 | Fitting-HYD | 24 | 327-7 | 2 | Screw-HH |
| 8:1 | 237-78 | 1 | O-Ring | 25 | 3296-61 | 4 | Nut-Lock |
| 8:2 | 237-21 | 1 | O-Ring | 26 | 114-4059 | 2 | Link ASM |
| 9 | 115-0183 | 1 | Shaft-Cylinder, Lift | 26:2 | 3220-6 | 2 | Nut-Jam |
| 10 | 327-8 | 2 | Screw-HH | 26:3 | 1-633029 | 2 | Balljoint-Spherical |
| 11 | 32151-29 | 2 | Ring-Retaining | 27 | 112-1602 | 2 | Pin-Retainer |
| 12 | 98-2654 | 1 | Pin-Pivot | 28 | 32144-41 | 2 | Screw-Taptite |
| 13 | 302-5 | 3 | Fitting-Grease | 29 | 32151-36 | 2 | Ring-Retaining |
| 14 | 99-5107 | 4 | Nut-Lock | | | | |



Hydraulic Cylinder Assembly No. 110-9834

| <i>Ref.</i> | <i>Part Number</i> | <i>Qty.</i> | <i>Description</i> |
|-------------|--------------------|-------------|--------------------|
| 1 | 112-6353 | 1 | Seal Kit |
| 1:1 | | 1 | O-Ring ● |
| 1:2 | | 1 | O-Ring ● |
| 1:3 | | 1 | Backup ● |
| 1:4 | | 1 | Seal-Bp ● |
| 1:5 | | 1 | Seal-Rod ● |
| 1:6 | | 1 | Seal-Dust ● |

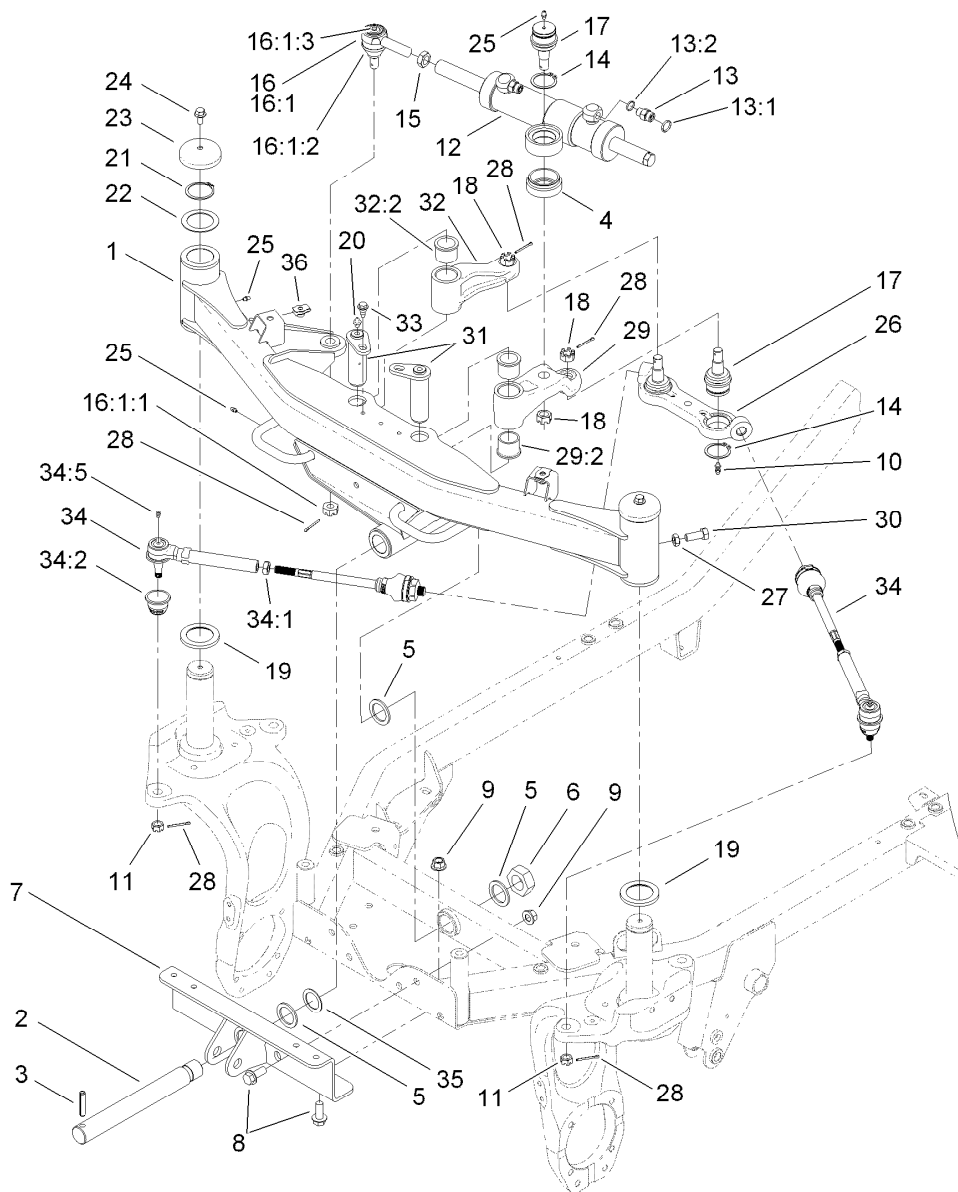
● Not serviced separately



Front Axle and Tie Rod Assembly

| Ref. | Part Number | Qty. | Description | Ref. | Part Number | Qty. | Description |
|------|-------------|------|--------------------------|--------|-------------|------|---------------------|
| 1 | 119-1447 | 1 | Front Axle ASM | 16:1 | | 1 | End-Rod, Tie (RH) ● |
| 2 | 119-1376 | 1 | Shaft-Pivot | 16:1:1 | 105-7941 | 1 | Nut-Hex, Slotted |
| 3 | 32121-110 | 1 | Pin-Roll, Slotted | 16:1:2 | 105-7835 | 1 | Seal |
| 4 | 120-0238 | 1 | Spacer-Cylinder | 16:1:3 | 302-5 | 1 | Fitting-Grease |
| 5 | 98-1452 | 3 | Washer-Thrust | 17 | 106-6774 | 3 | Joint-Ball |
| 6 | 3296-68 | 1 | Nut-Lock, NI | 18 | 32136-2 | 3 | Nut-SHH |
| 7 | 117-2920-03 | 1 | Support-Axle | 19 | 100-2508 | 2 | Washer-Thrust |
| 8 | 3234-38 | 6 | Screw-HHF | 20 | 302-2 | 2 | Fitting-Grease |
| 9 | 99-5107 | 6 | Nut-Lock | 21 | 100-4196 | 2 | Ring-Retaining |
| 10 | 302-60 | 2 | Fitting-Grease | 22 | 115-0169 | 2 | Washer-Thrust |
| 11 | 32136-3 | 2 | Nut-SHH | 23 | 100-3362 | 2 | Cap-Spindle |
| 12 | 115-0060 | 1 | HYD Cylinder ASM | 24 | 3234-12 | 2 | Screw-HHF |
| 13 | 340-2 | 2 | Fitting-HYD, Straight | 25 | 302-5 | 4 | Fitting-Grease |
| 13:1 | 237-22 | 1 | O-Ring | 26 | 117-2986 | 1 | Centerlink |
| 13:2 | 237-42 | 1 | O-Ring | 27 | 3218-5 | 2 | Nut-Jam |
| 14 | 32151-104 | 3 | Ring-Retaining, External | 28 | 3272-12 | 6 | Pin-Cotter |
| 15 | 84-5300 | 1 | Nut-Jam | 29 | 120-0391 | 1 | Front LH Arm ASM |
| 16 | 71-4740-03 | 1 | End-Rod, Tie | 29:2 | 94-8947 | 2 | Bushing-Flange |

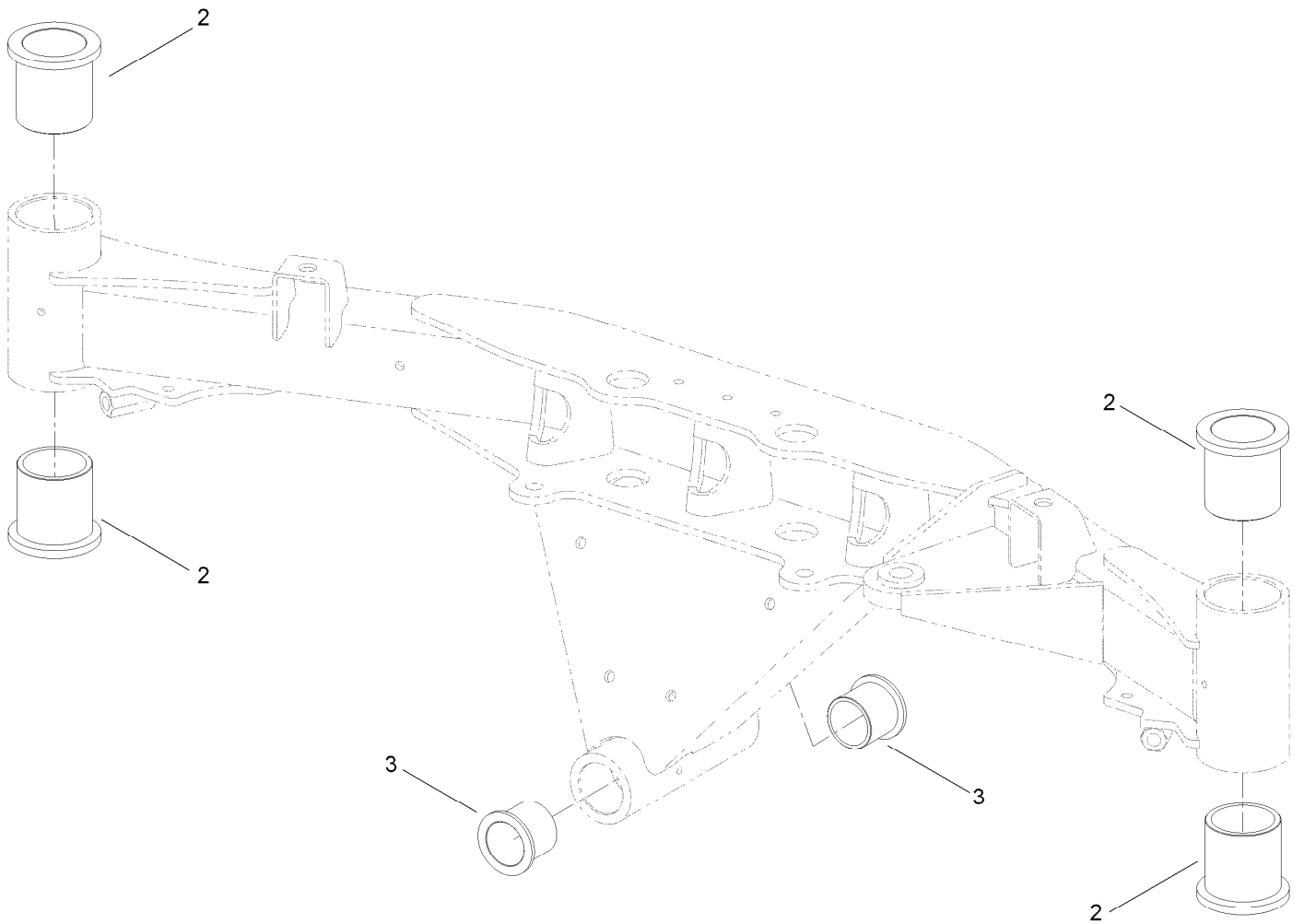
● Not serviced separately



Front Axle and Tie Rod Assembly (continued)

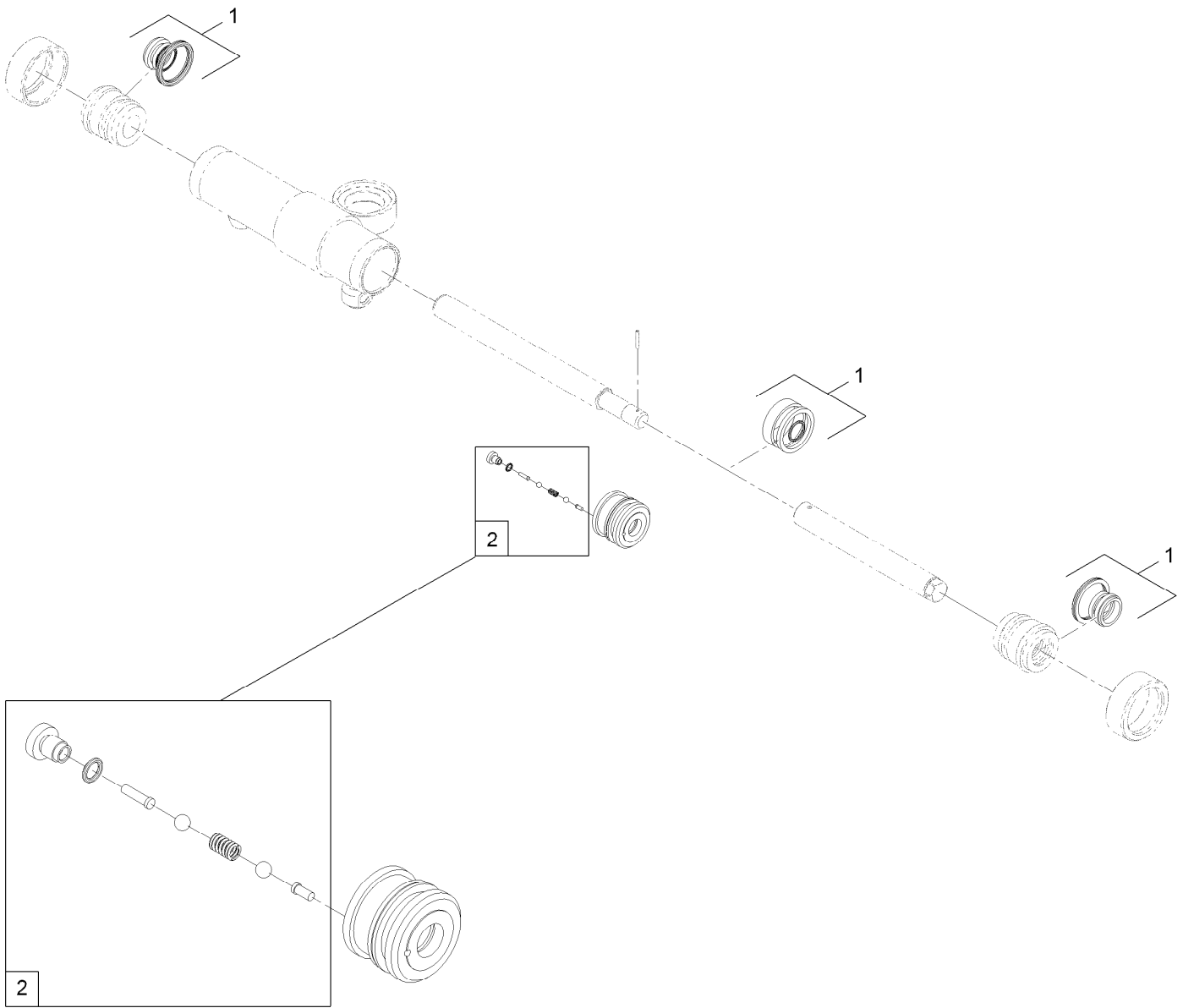
| <i>Ref.</i> | <i>Part Number</i> | <i>Qty.</i> | <i>Description</i> | <i>Ref.</i> | <i>Part Number</i> | <i>Qty.</i> | <i>Description</i> |
|-------------|--------------------|-------------|--------------------|-------------|--------------------|-------------|--------------------|
| 30 | 325-6 | 2 | Screw-HH | 34:1 | 42-9650 | 1 | Nut-Hex, Jam |
| 31 | 117-3167 | 2 | Front Pin ASM | 34:2 | 117-3287 | 1 | Dust Boot |
| 32 | 120-0390 | 1 | Front RH Arm ASM | 34:5 | 302-5 | 1 | Fitting-Grease |
| 32:2 | 94-8947 | 2 | Bushing-Flange | 35 | 93-4628 | 1 | Washer |
| 33 | 99-5105 | 2 | Bolt-Shoulder | 36 | 105-4886 | 2 | Nut-Tinnerman |
| 34 | 117-2983 | 2 | Rod-Tie, Front | | | | |

● Not serviced separately



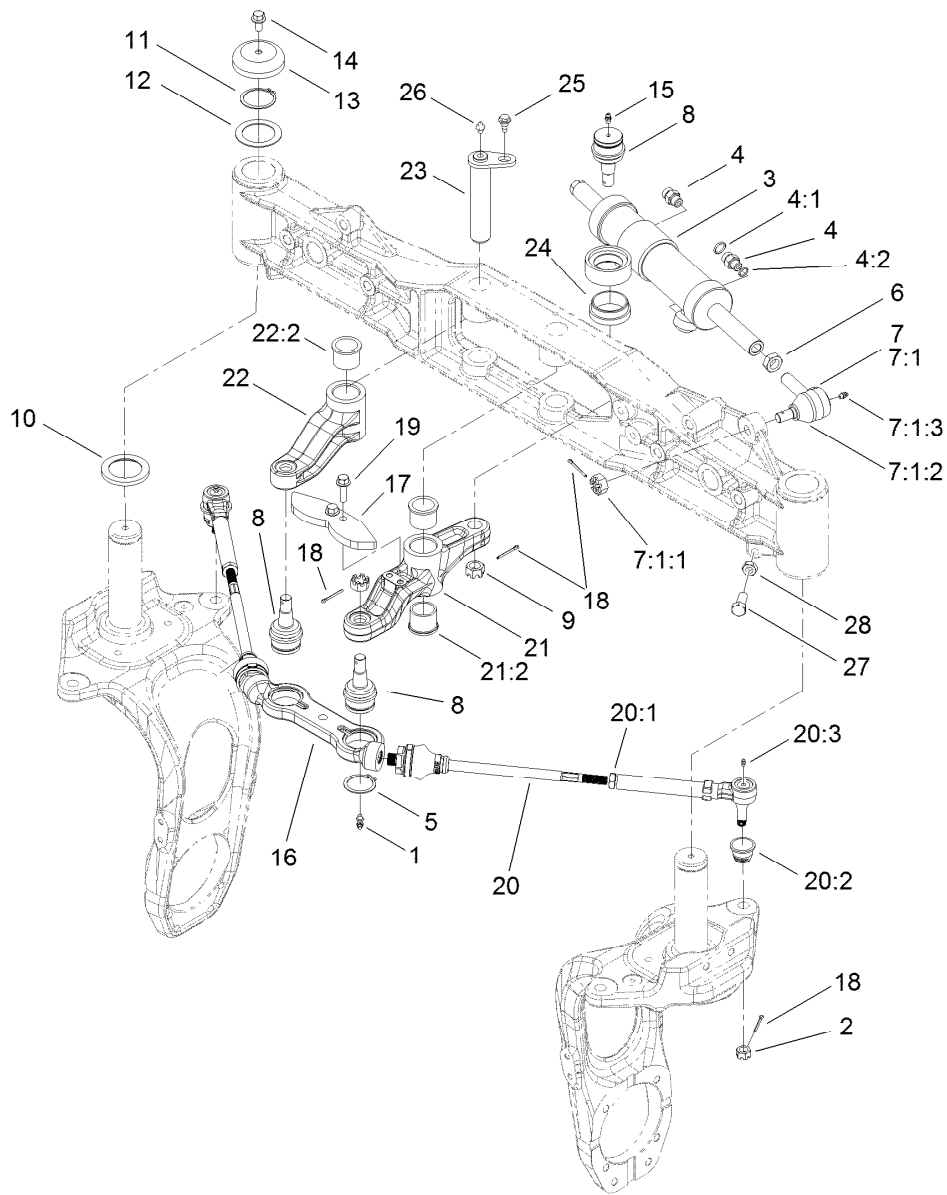
Front Axle Assembly No. 119-1447

| <i>Ref.</i> | <i>Part Number</i> | <i>Qty.</i> | <i>Description</i> |
|-------------|--------------------|-------------|--------------------|
| 2 | 100-2506 | 4 | Bushing-Castor |
| 3 | 69-6470 | 2 | Bushing-Castor |



Hydraulic Cylinder Assembly No. 115-0060

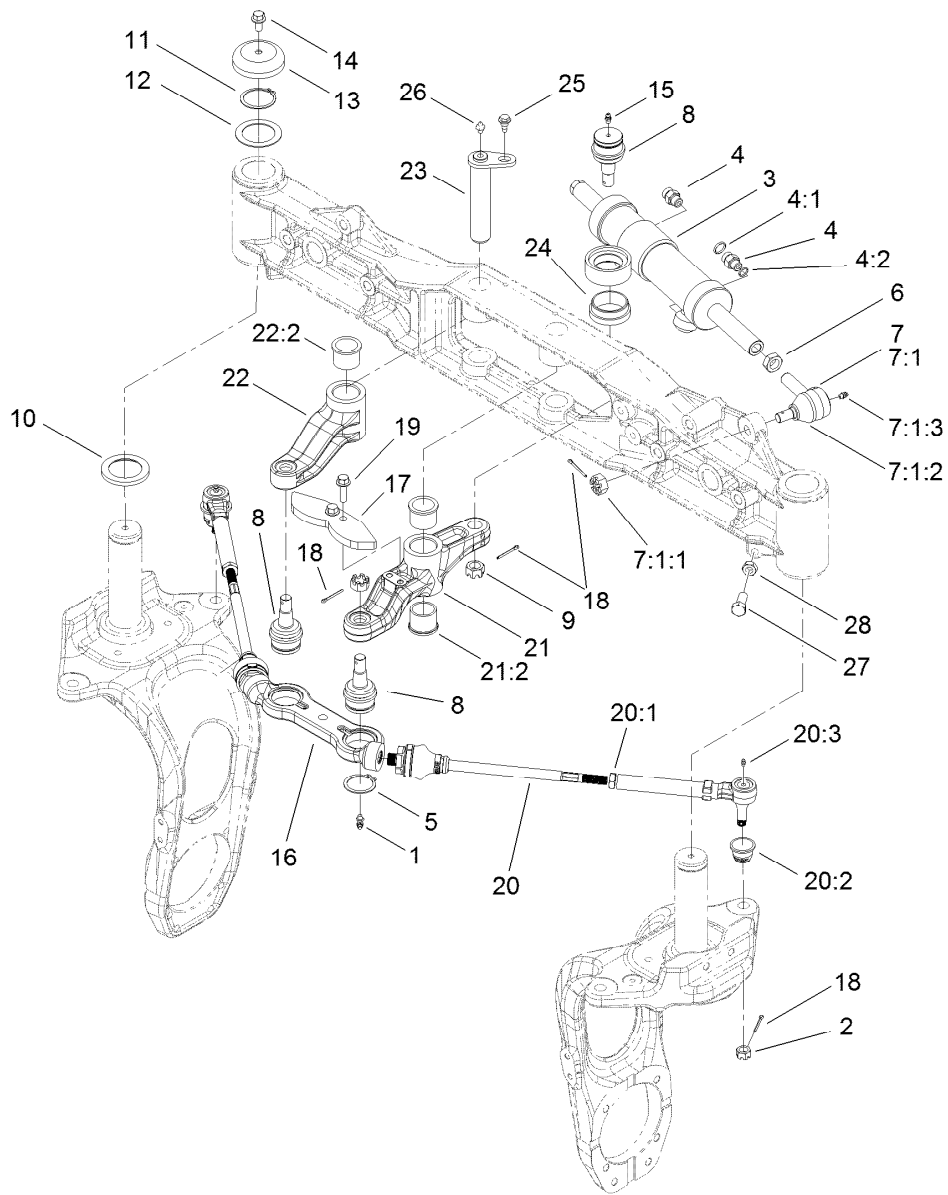
| <i>Ref.</i> | <i>Part Number</i> | <i>Qty.</i> | <i>Description</i> |
|-------------|--------------------|-------------|------------------------|
| 1 | 120-2557 | 1 | Seal Kit |
| 2 | 120-2556 | 1 | Valve-Check, Rephasing |



Rear Steering Assembly

| Ref. | Part Number | Qty. | Description | Ref. | Part Number | Qty. | Description |
|-------|-------------|------|--------------------------|------|-------------|------|--------------------|
| 1 | 302-60 | 2 | Fitting-Grease | 13 | 100-3362 | 2 | Cap-Spindle |
| 2 | 32136-3 | 2 | Nut-SHH | 14 | 3234-12 | 2 | Screw-HHF |
| 3 | 115-0060 | 1 | HYD Cylinder ASM | 15 | 302-5 | 1 | Fitting-Grease |
| 4 | 340-2 | 2 | Fitting-HYD, Straight | 16 | 117-2986 | 1 | Centerlink |
| 4:1 | 237-22 | 1 | O-Ring | 17 | 117-3376-03 | 1 | Plate-Cam, Pittman |
| 4:2 | 237-42 | 1 | O-Ring | 18 | 3272-12 | 6 | Pin-Cotter |
| 5 | 32151-104 | 3 | Ring-Retaining, External | 19 | 3234-24 | 2 | Screw-HHF |
| 6 | 84-5300 | 1 | Nut-Jam | 20 | 117-2984 | 2 | Rod-Tie, Rear |
| 7 | 71-4740-03 | 1 | End-Rod, Tie | 20:1 | 42-9650 | 1 | Nut-Hex, Jam |
| 7:1 | | 1 | End-Rod, Tie (RH) ● | 20:2 | 117-3287 | 1 | Dust Boot |
| 7:1:1 | 105-7941 | 1 | Nut-Hex, Slotted | 20:3 | 302-5 | 1 | Fitting-Grease |
| 7:1:2 | 105-7835 | 1 | Seal | 21 | 120-0393 | 1 | Rear LH Arm ASM |
| 7:1:3 | 302-5 | 1 | Fitting-Grease | 21:2 | 94-8947 | 2 | Bushing-Flange |
| 8 | 106-6774 | 3 | Joint-Ball | 22 | 120-0392 | 1 | Rear RH Arm ASM |
| 9 | 32136-2 | 3 | Nut-SHH | 22:2 | 94-8947 | 2 | Bushing-Flange |
| 10 | 100-2508 | 2 | Washer-Thrust | 23 | 117-3137 | 2 | Pin ASM |
| 11 | 100-4196 | 2 | Ring-Retaining | 24 | 120-0238 | 1 | Spacer-Cylinder |
| 12 | 115-0169 | 2 | Washer-Thrust | 25 | 99-5105 | 2 | Bolt-Shoulder |

● Not serviced separately

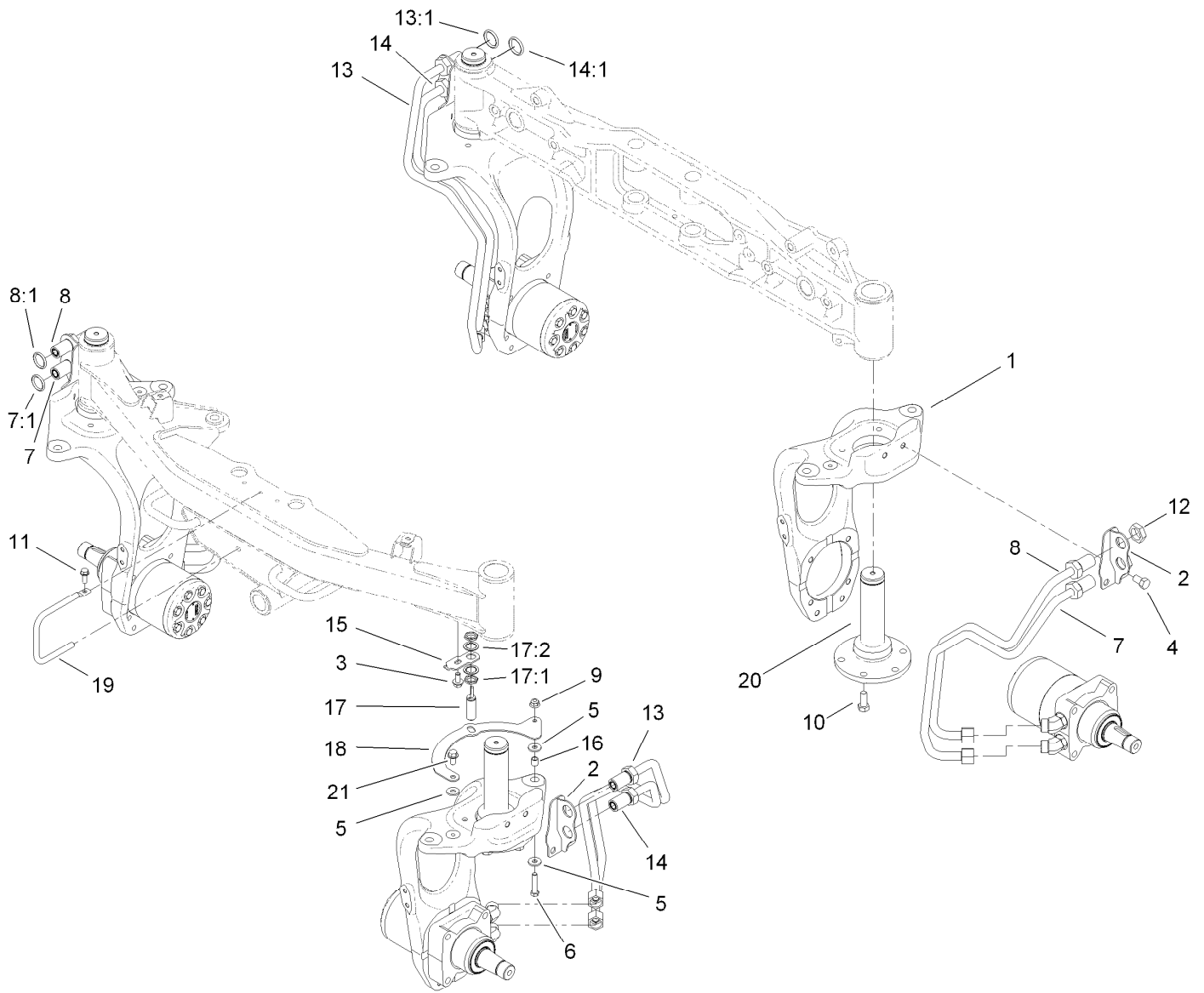


Rear Steering Assembly (continued)

| Ref. | Part Number | Qty. | Description |
|------|-------------|------|----------------|
| 26 | 302-2 | 2 | Fitting-Grease |

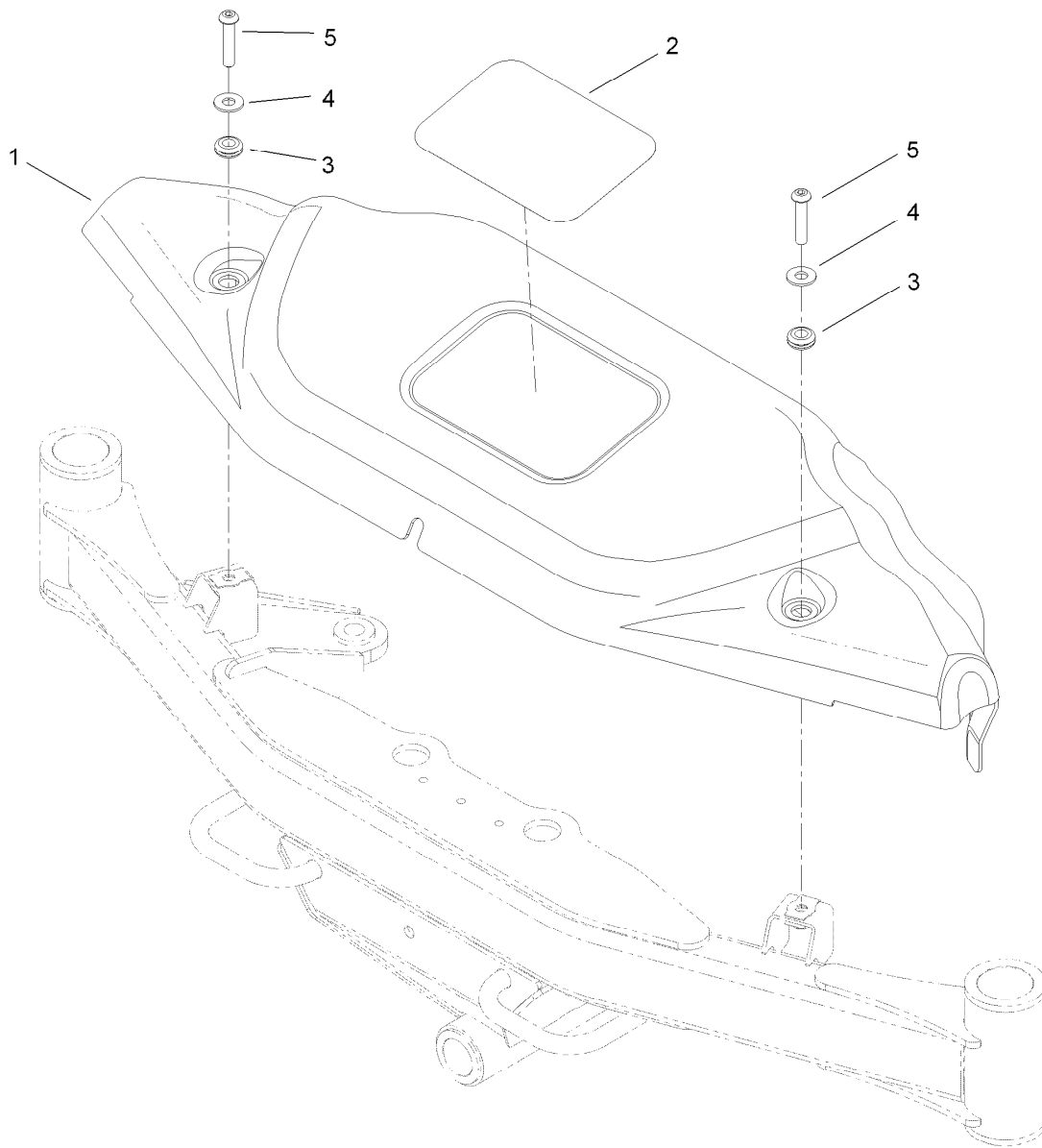
| Ref. | Part Number | Qty. | Description |
|------|-------------|------|-------------|
| 27 | 325-6 | 2 | Screw-HH |
| 28 | 3218-5 | 2 | Nut-Jam |

● Not serviced separately



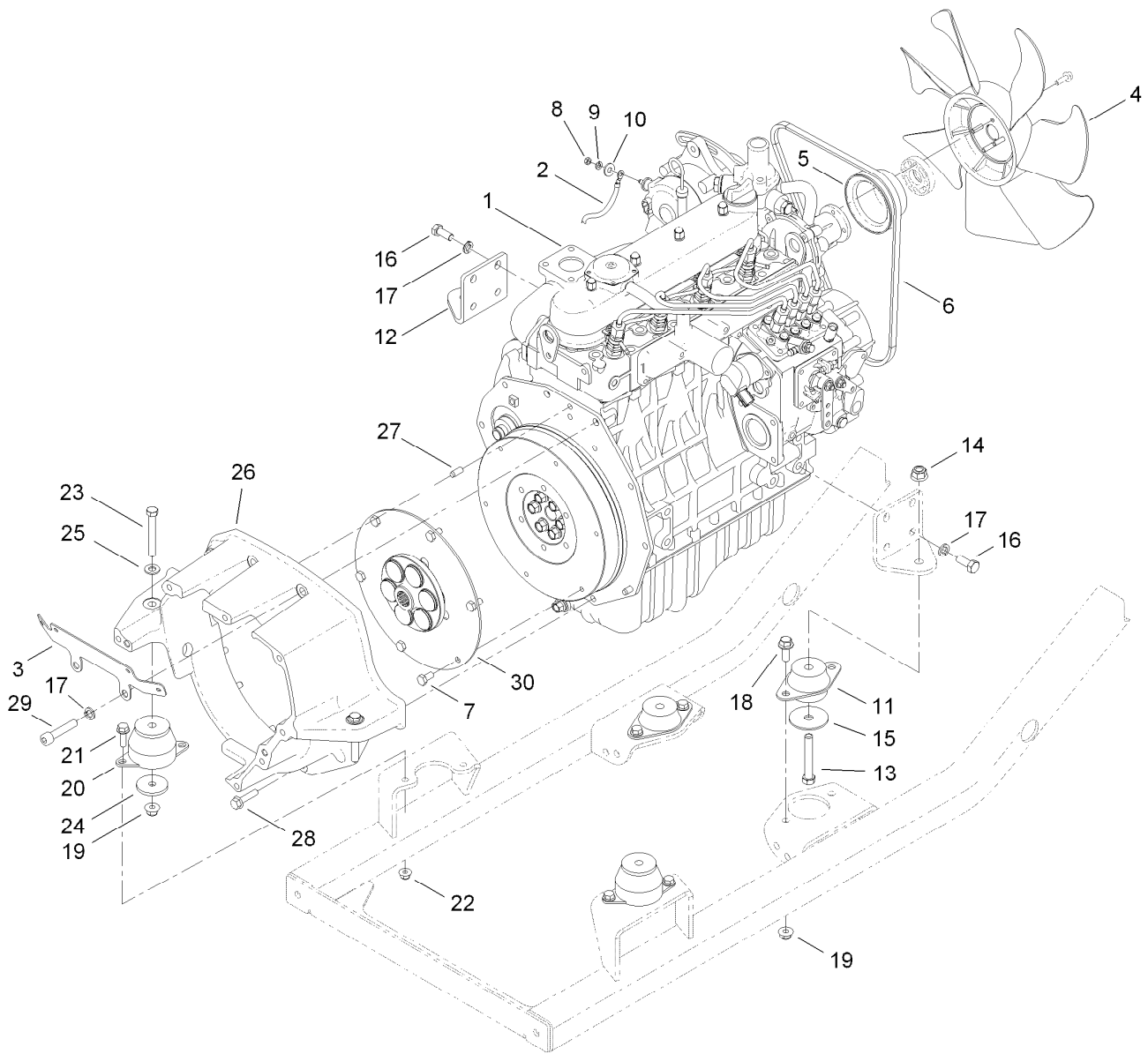
4 Wheel Drive Steering Assembly

| Ref. | Part Number | Qty. | Description | Ref. | Part Number | Qty. | Description |
|------|-------------|------|-----------------------|------|-------------|------|-----------------------------|
| 1 | 117-2951 | 4 | Base-Fork, Steer | 13 | 117-2946 | 2 | Upper Tube ASM (Rrf) |
| 2 | 119-1410-03 | 4 | Bracket-Bulkhead | 13:1 | 237-65 | 1 | O-Ring |
| 3 | 110-9380 | 1 | Screw-HWH | 14 | 117-2947 | 2 | Lower Tube ASM (Rrf) |
| 4 | 325-3 | 8 | Screw-HH | 14:1 | 237-65 | 1 | O-Ring |
| 5 | 5-0838 | 3 | Washer | 15 | 119-1413 | 1 | Bracket-Sensor |
| 6 | 32128-21 | 1 | Nut-HF | 16 | 103-1166 | 1 | Spacer-Tube, Pump Link |
| 7 | 117-2948 | 2 | Upper Tube ASM (Lrrf) | 17 | 115-5300 | 1 | Proximity Switch ASM |
| 7:1 | 237-65 | 1 | O-Ring | 17:1 | 117-3207 | 2 | Nut-Hex |
| 8 | 117-2949 | 2 | Lower Tube ASM (Lrrf) | 17:2 | 117-3208 | 2 | Washer-Lock, Internal Tooth |
| 8:1 | 237-65 | 1 | O-Ring | 18 | 117-2216-03 | 1 | Bracket-Target |
| 9 | 323-8 | 1 | Screw-HH | 19 | 117-3178 | 1 | Rod-Guide |
| 10 | 117-3266 | 20 | Screw-HH | 20 | 117-3361 | 4 | Spindle-Steer |
| 11 | 32144-41 | 1 | Screw-Taptite | 21 | 3234-47 | 1 | Screw-HHF |
| 12 | 340-74 | 8 | Nut-Lock, Bulkhead | | | | |



Front Cover Assembly

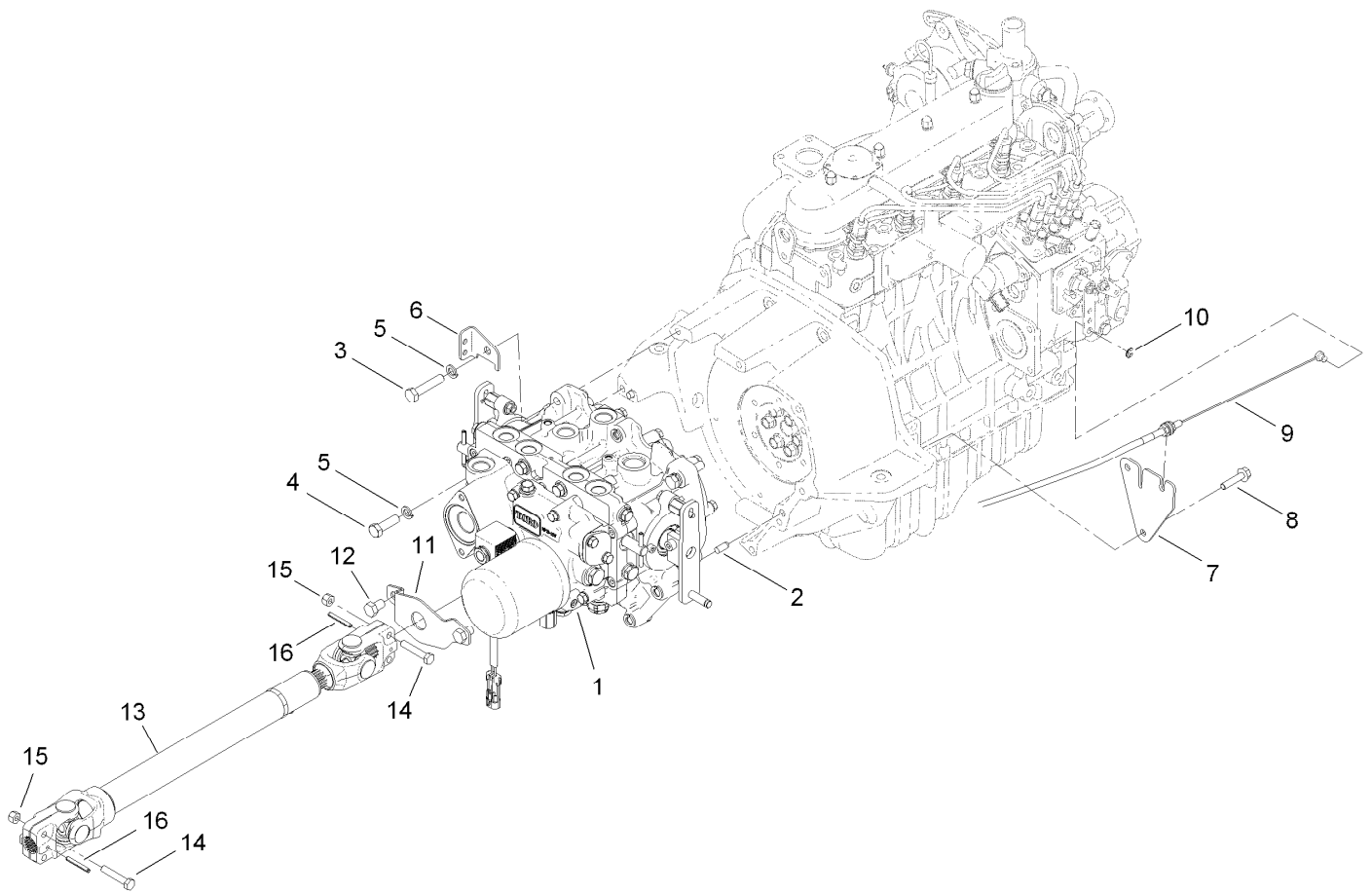
| <i>Ref.</i> | <i>Part Number</i> | <i>Qty.</i> | <i>Description</i> |
|-------------|--------------------|-------------|--------------------|
| 1 | 119-9889 | 1 | Cover-Front |
| 2 | 104-7213 | 1 | Decal |
| 3 | 1-633630 | 2 | Grommet |
| 4 | 100-7403 | 2 | Washer-Flat |
| 5 | 95-3857 | 2 | Screw-HSBH |



Engine Component Assembly

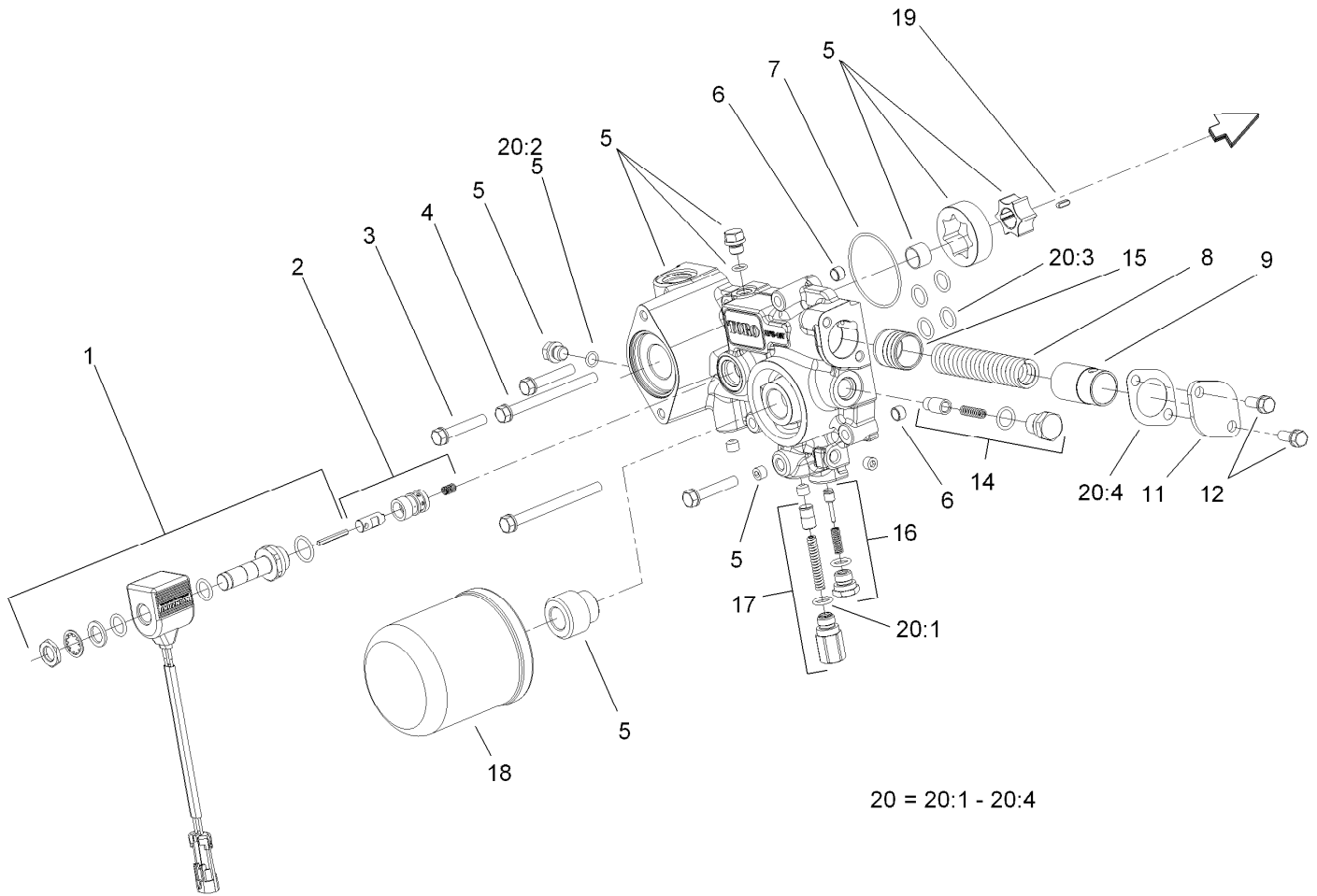
| Ref. | Part Number | Qty. | Description | Ref. | Part Number | Qty. | Description |
|------|-------------|------|----------------------------------|------|-------------|------|-------------------|
| 1 | | 1 | Engine-Kubota, V1505-E3B-Toro-3● | 16 | 43-0090 | 8 | Screw-HH |
| 2 | 100-5552 | 1 | Harness-Wire | 17 | 48-9590 | 10 | Washer-Lock |
| 3 | 117-3173-03 | 1 | Support-Cable | 18 | 3234-42 | 4 | Screw-HHF |
| 4 | 107-9096 | 1 | Fan-Cooling | 19 | 104-8301 | 6 | Nut-Flange, NI |
| 5 | 99-3453 | 1 | Pulley-Fan | 20 | 107-2289 | 2 | Mount-Motor |
| 6 | 115-0123 | 1 | V-Belt | 21 | 3234-17 | 4 | Screw-HHF |
| 7 | 99-5132 | 6 | Bolt | 22 | 104-8300 | 4 | Nut-Flange, NI |
| 8 | 33013-00 | 1 | Nut-Hex | 23 | 323-13 | 2 | Screw-HH |
| 9 | 43-5930 | 1 | Washer-Lock, Spring | 24 | 80-8560 | 2 | Washer-Hardened |
| 10 | 3256-2 | 1 | Washer-Flat | 25 | 3256-24 | 2 | Washer-Flat |
| 11 | 53-9681 | 2 | Mount-Engine | 26 | 108-5193 | 1 | Housing-Flywheel |
| 12 | 115-0059-03 | 1 | Plate-Mount, Motor | 27 | 87-1910 | 2 | Pin-Dowel |
| 13 | 324-11 | 2 | Screw-HH | 28 | 33104-035 | 6 | Screw-HHF |
| 14 | 114-8417 | 2 | Nut-HF, NI | 29 | 3274-106 | 2 | Screw-HSH |
| 15 | 87-5100 | 2 | Washer-Snubbing | 30 | 110-9729 | 1 | Coupling-Flywheel |

● Not serviced separately



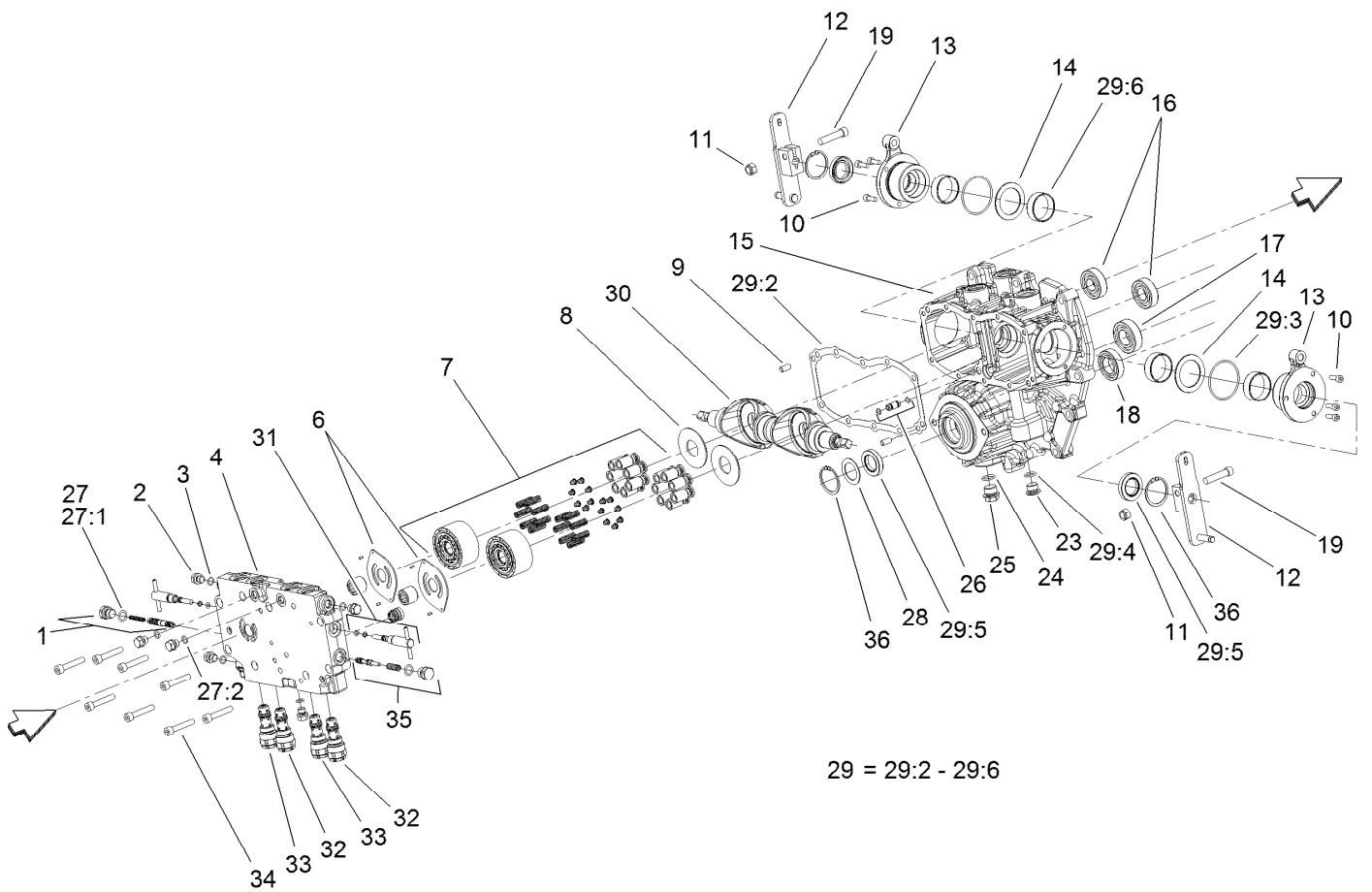
Transmission Component Assembly

| <i>Ref.</i> | <i>Part Number</i> | <i>Qty.</i> | <i>Description</i> | <i>Ref.</i> | <i>Part Number</i> | <i>Qty.</i> | <i>Description</i> |
|-------------|--------------------|-------------|--------------------|-------------|--------------------|-------------|----------------------|
| 1 | 120-9140 | 1 | Transmisson ASM | 9 | 115-0339 | 1 | Cable-Throttle/Choke |
| 2 | 87-1910 | 2 | Pin-Dowel | 10 | 701197 | 1 | E-Ring |
| 3 | 33115-050 | 6 | Screw-HH | 11 | 114-4088 | 1 | Shield-Seal |
| 4 | 33115-035 | 1 | Screw-HH | 12 | 33115-016 | 2 | Screw-HH |
| 5 | 48-9590 | 7 | Washer-Lock | 13 | 110-3575 | 1 | Driveshaft ASM |
| 6 | 120-0239 | 1 | Support-Tube | 14 | 322-9 | 4 | Screw-HH |
| 7 | 114-4060 | 1 | Bracket-Throttle | 15 | 3296-29 | 4 | Nut-Lock, NI |
| 8 | 33104-035 | 2 | Screw-HHF | 16 | 32121-34 | 2 | Pin-Roll |



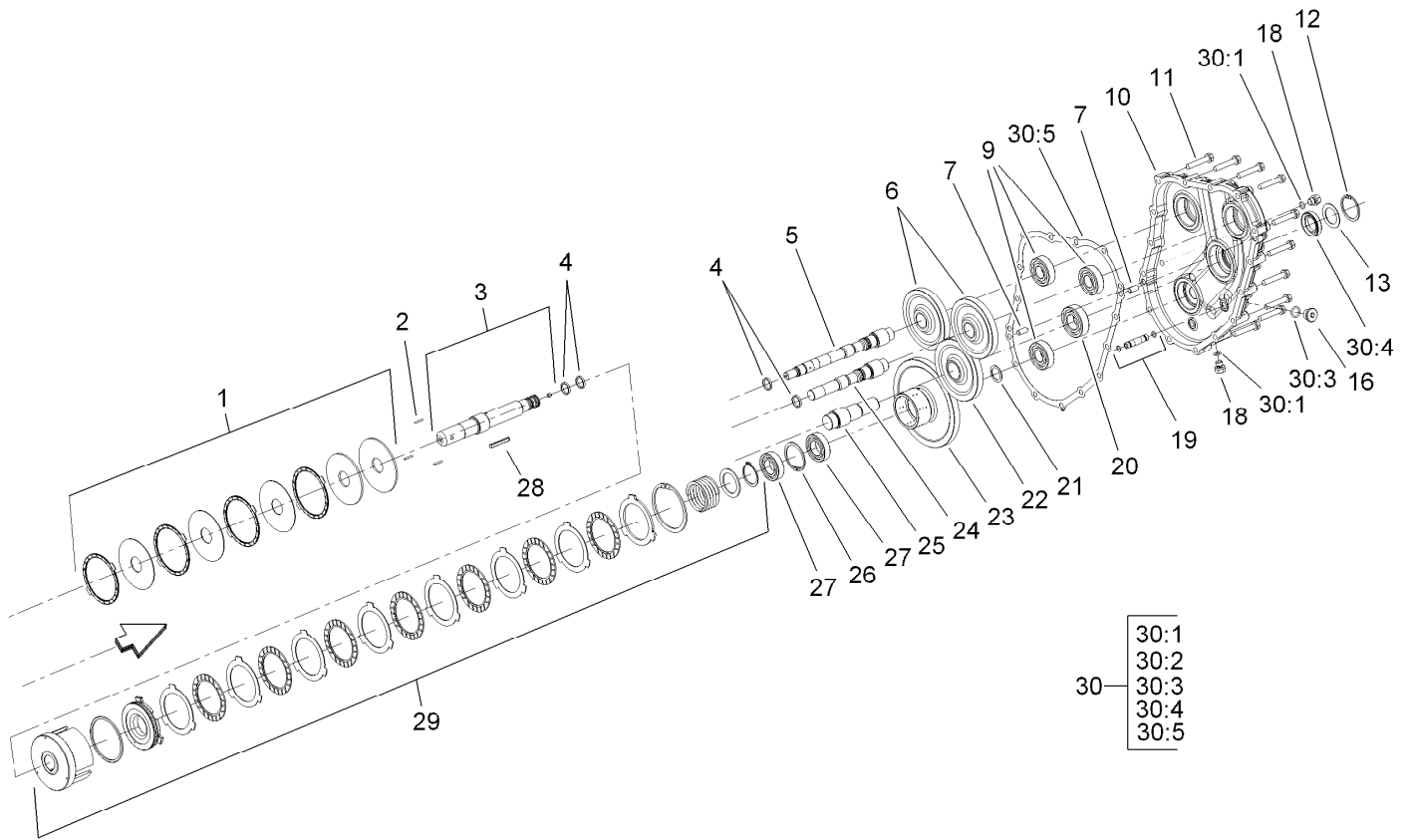
Charge Pump Housing Assembly Transmission Assembly No. 120-9140

| <i>Ref.</i> | <i>Part Number</i> | <i>Qty.</i> | <i>Description</i> | <i>Ref.</i> | <i>Part Number</i> | <i>Qty.</i> | <i>Description</i> |
|-------------|--------------------|-------------|---------------------|-------------|--------------------|-------------|-------------------------|
| 1 | 107-0851 | 1 | Solenoid ASM | 14 | 107-0843 | 1 | Filter Bypass Valve ASM |
| 2 | 107-0850 | 1 | Solenoid Valve ASM | 15 | 107-0818 | 1 | Piston |
| 3 | 107-0863 | 3 | Bolt | 16 | 120-5153 | 1 | Charge Relief Valve ASM |
| 4 | 107-0864 | 2 | Bolt | 17 | 107-0841 | 1 | Pressure Valve ASM |
| 5 | 107-0840 | 1 | Pump Body ASM | 18 | 108-5194 | 1 | Filter-Oil, HYD |
| 6 | 107-0848 | 2 | Pin | 19 | 107-0865 | 1 | Key |
| 7 | 107-0856 | 1 | O-Ring | 20 | 107-0855 | 1 | Charge Pump Seal Kit |
| 8 | 107-0845 | 1 | Spring | 20:1 | 93-0418 | 2 | O-Ring |
| 9 | 107-0844 | 1 | Collar | 20:2 | 107-0817 | 2 | O Ring-Plug |
| 11 | 107-0846 | 1 | Cover | 20:3 | 104-3298 | 6 | Packing |
| 12 | 93-0457 | 2 | Bolt And Washer ASM | 20:4 | 107-0847 | 1 | Gasket |



Center Section Assembly Transmission Assembly No. 120-9140

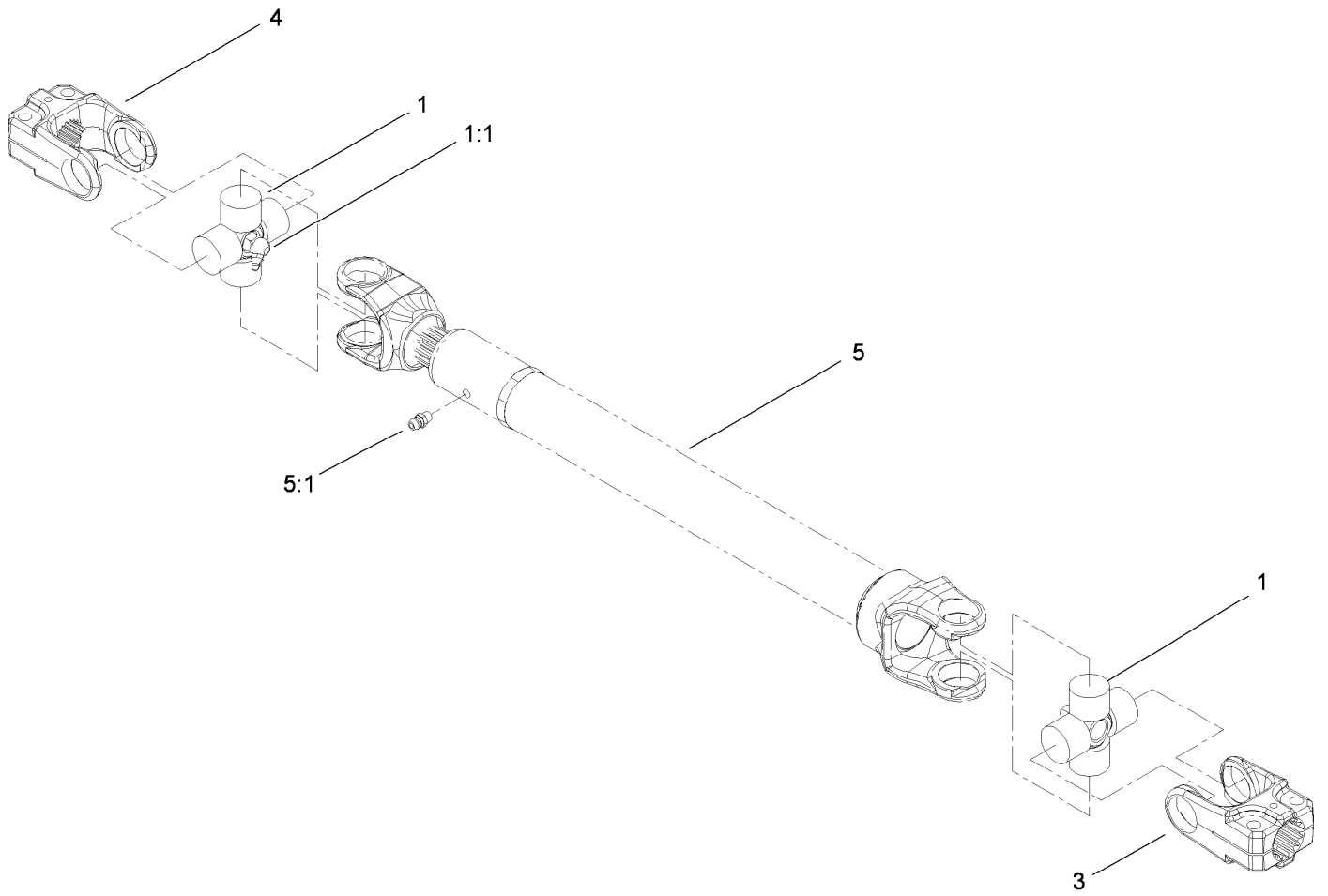
| <i>Ref.</i> | <i>Part Number</i> | <i>Qty.</i> | <i>Description</i> | <i>Ref.</i> | <i>Part Number</i> | <i>Qty.</i> | <i>Description</i> |
|-------------|--------------------|-------------|--------------------|-------------|--------------------|-------------|-----------------------|
| 1 | 107-0807 | 1 | Valve-Flushing, RH | 25 | 107-0867 | 1 | Plug |
| 2 | 107-0857 | 6 | Plug | 26 | 107-0812 | 1 | Pipe |
| 3 | 107-0817 | 6 | O Ring-Plug | 27 | 107-0852 | 1 | Center Case Seal Kit |
| 4 | 120-5150 | 1 | Center Case ASM | 27:1 | 93-0418 | 2 | O-Ring |
| 6 | 107-0805 | 2 | Plate-Valve | 27:2 | 107-0817 | 6 | O Ring-Plug |
| 7 | 107-0824 | 2 | Cylinder Block ASM | 28 | 107-0813 | 1 | Spacer |
| 8 | 107-0830 | 2 | Plate-Thrust | 29 | 107-0853 | 1 | Pump Housing Seal Kit |
| 9 | 92-0765 | 4 | Pin-Parallel | 29:2 | 107-0810 | 1 | Gasket-Case, Center |
| 10 | 107-0859 | 6 | Bolt | 29:3 | 107-0817 | 2 | O Ring-Plug |
| 11 | 120-6681 | 2 | U-Nut | 29:4 | 104-3298 | 1 | Packing |
| 12 | 120-6680 | 2 | Arm-Control | 29:5 | 107-0814 | 3 | Seal |
| 13 | 107-0832 | 2 | Side Cover ASM | 29:6 | 107-0825 | 4 | Ring-Seal |
| 14 | 107-0829 | 2 | Washer | 30 | 120-6679 | 2 | Plate-Swash |
| 15 | 120-5151 | 1 | Pump Housing ASM | 31 | 107-0808 | 2 | Valve-Bypass |
| 16 | 107-0826 | 2 | Bearing | 32 | 120-6754 | 2 | Valve-Rear |
| 17 | 107-0821 | 1 | Bearing | 33 | 107-0803 | 2 | Valve-Front |
| 18 | 107-0838 | 1 | Bearing | 34 | 107-0863 | 8 | Bolt |
| 19 | 120-6682 | 2 | Bolt (10 X 40) | 35 | 107-0806 | 1 | Valve-Flushing, LH |
| 23 | 107-0861 | 1 | Plug-NPTF | 36 | 92-0757 | 2 | Ring-Snap |
| 24 | 107-0862 | 1 | O-Ring | | | | |



Gear Case and Clutch Assembly Transmission Assembly No. 120-9140

| <i>Ref.</i> | <i>Part Number</i> | <i>Qty.</i> | <i>Description</i> | <i>Ref.</i> | <i>Part Number</i> | <i>Qty.</i> | <i>Description</i> |
|-------------|--------------------|-------------|--------------------|-------------|--------------------|-------------|-----------------------|
| 1 | 107-0839 | 1 | PTO Brake ASM | 21 | 107-0836 | 1 | Spacer |
| 2 | 107-0837 | 3 | Rod-Push | 22 | 107-0820 | 1 | Gear-Input |
| 3 | 107-0833 | 1 | PTO Shaft ASM | 23 | 107-0834 | 1 | Gear-PTO |
| 4 | 107-0825 | 2 | Ring-Seal | 24 | 107-0822 | 1 | Shaft-Pump |
| 5 | 107-0827 | 1 | Shaft-Pump | 25 | 107-0819 | 1 | Shaft-Input |
| 6 | 107-0823 | 2 | Gear-Pump | 26 | 92-0758 | 1 | Ring-Snap |
| 7 | 92-0765 | 4 | Pin-Parallel | 27 | 107-0838 | 3 | Bearing |
| 9 | 107-0826 | 4 | Bearing | 28 | 107-0866 | 1 | Key |
| 10 | 120-5152 | 1 | Housing-Case, Gear | 29 | 107-0835 | 1 | Clutch Cylinder ASM |
| 11 | 107-0863 | 13 | Bolt | 30 | 107-0854 | 1 | Gear Housing Seal Kit |
| 12 | 92-0757 | 1 | Ring-Snap | 30:1 | 107-0817 | 2 | O Ring-Plug |
| 13 | 107-0813 | 1 | Spacer | 30:2 | | 2 | O-Ring ● |
| 16 | 107-0861 | 1 | Plug-NPTF | 30:3 | 104-3298 | 1 | Packing |
| 18 | 107-0857 | 6 | Plug | 30:4 | 107-0814 | 1 | Seal |
| 19 | 107-0811 | 1 | Pipe | 30:5 | 107-0816 | 1 | Gasket-Housing, Gear |
| 20 | 107-0821 | 2 | Bearing | | | | |

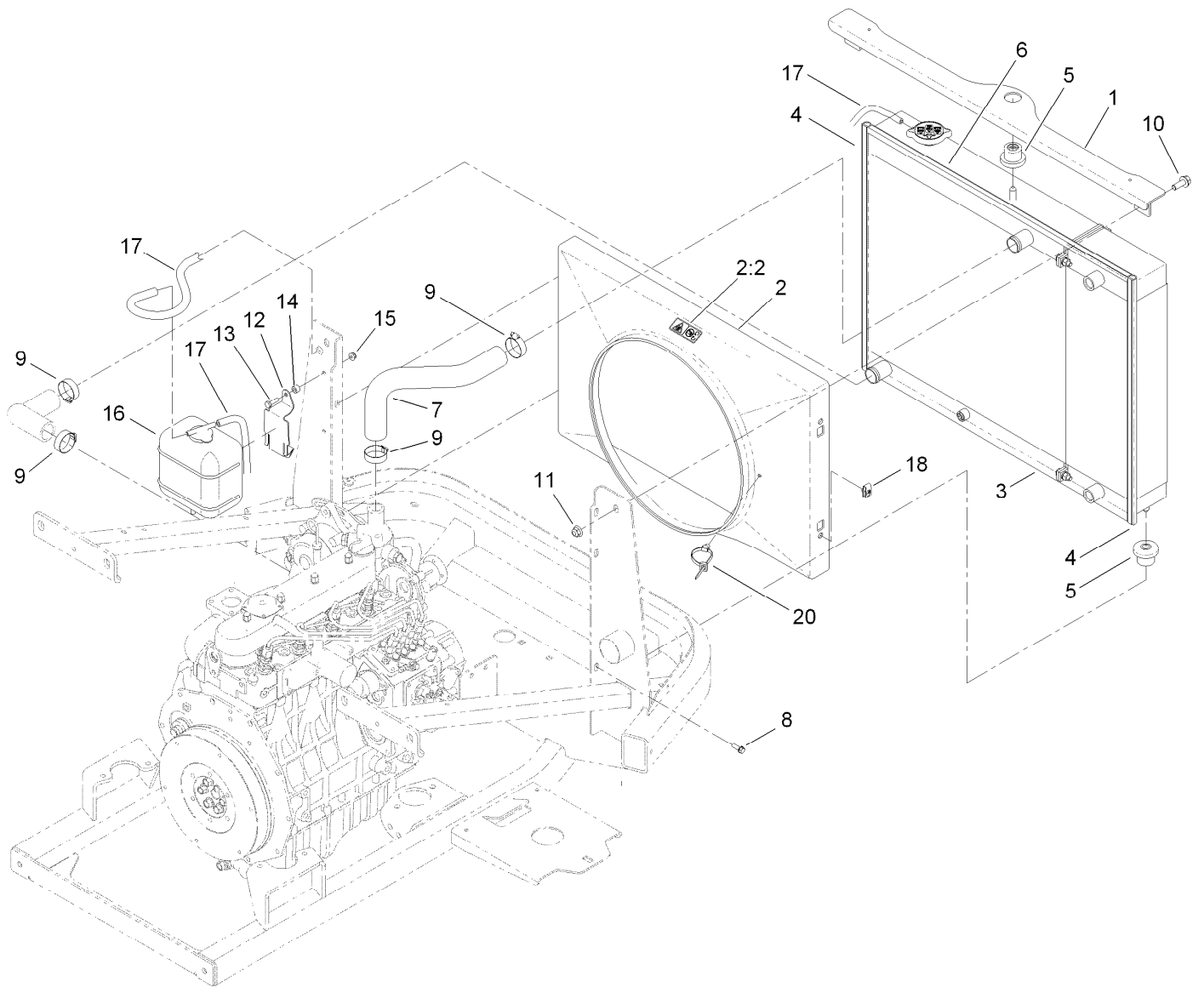
● Not serviced separately



Driveshaft Assembly No. 110-3575

| <i>Ref.</i> | <i>Part Number</i> | <i>Qty.</i> | <i>Description</i> |
|-------------|--------------------|-------------|-----------------------|
| 1 | 112-1687 | 2 | Cross And Bearing Kit |
| 1:1 | 62-3820 | 1 | Fitting-Grease |
| 3 | 54-9040 | 1 | Yoke-End |
| 4 | 54-9090 | 1 | Yoke-End |
| 5 | | 1 | Tube-Yoke, Slip ● |
| 5:1 | 302-22 | 1 | Fitting-Grease |

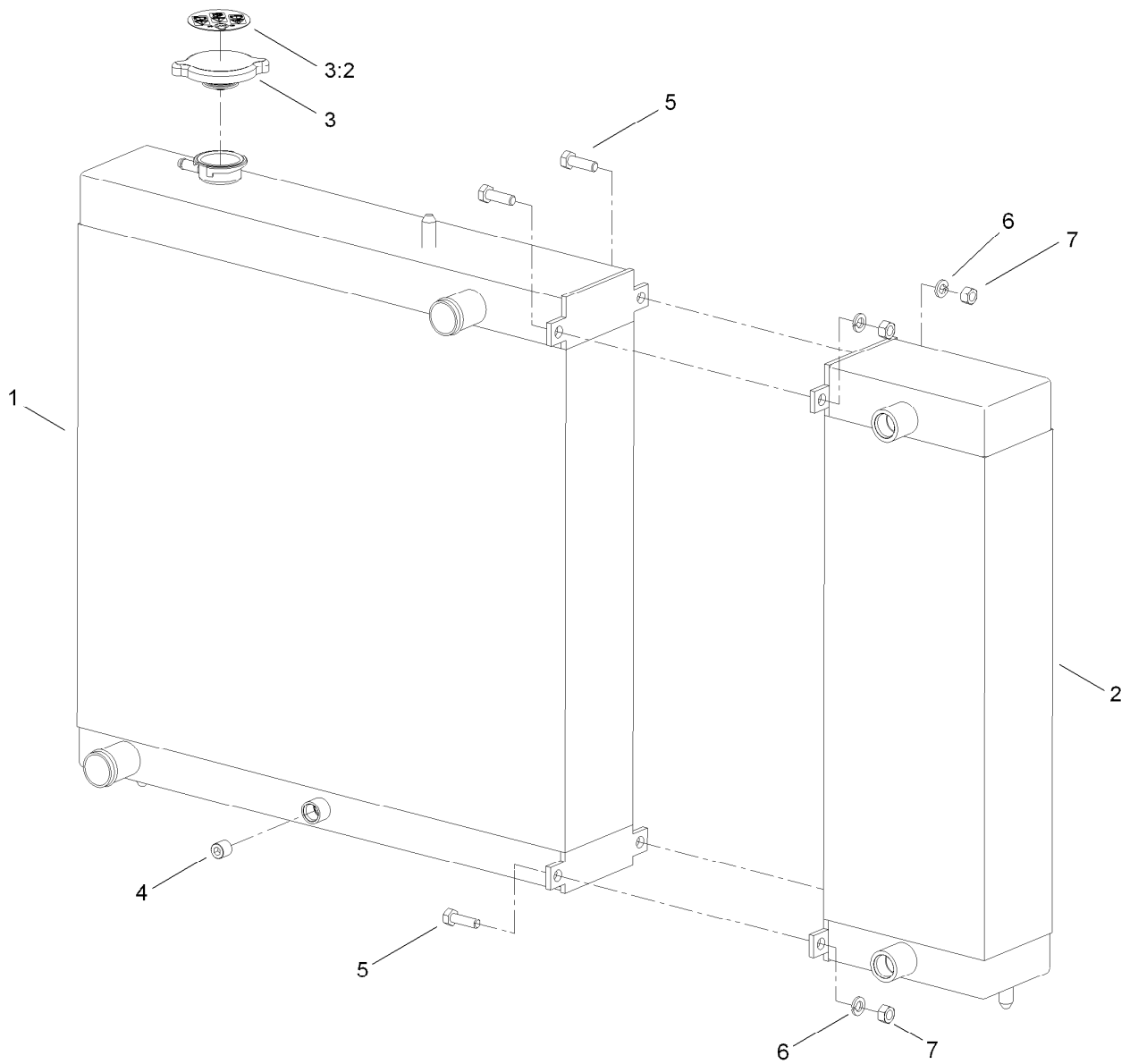
● Not serviced separately



Radiator Component Assembly

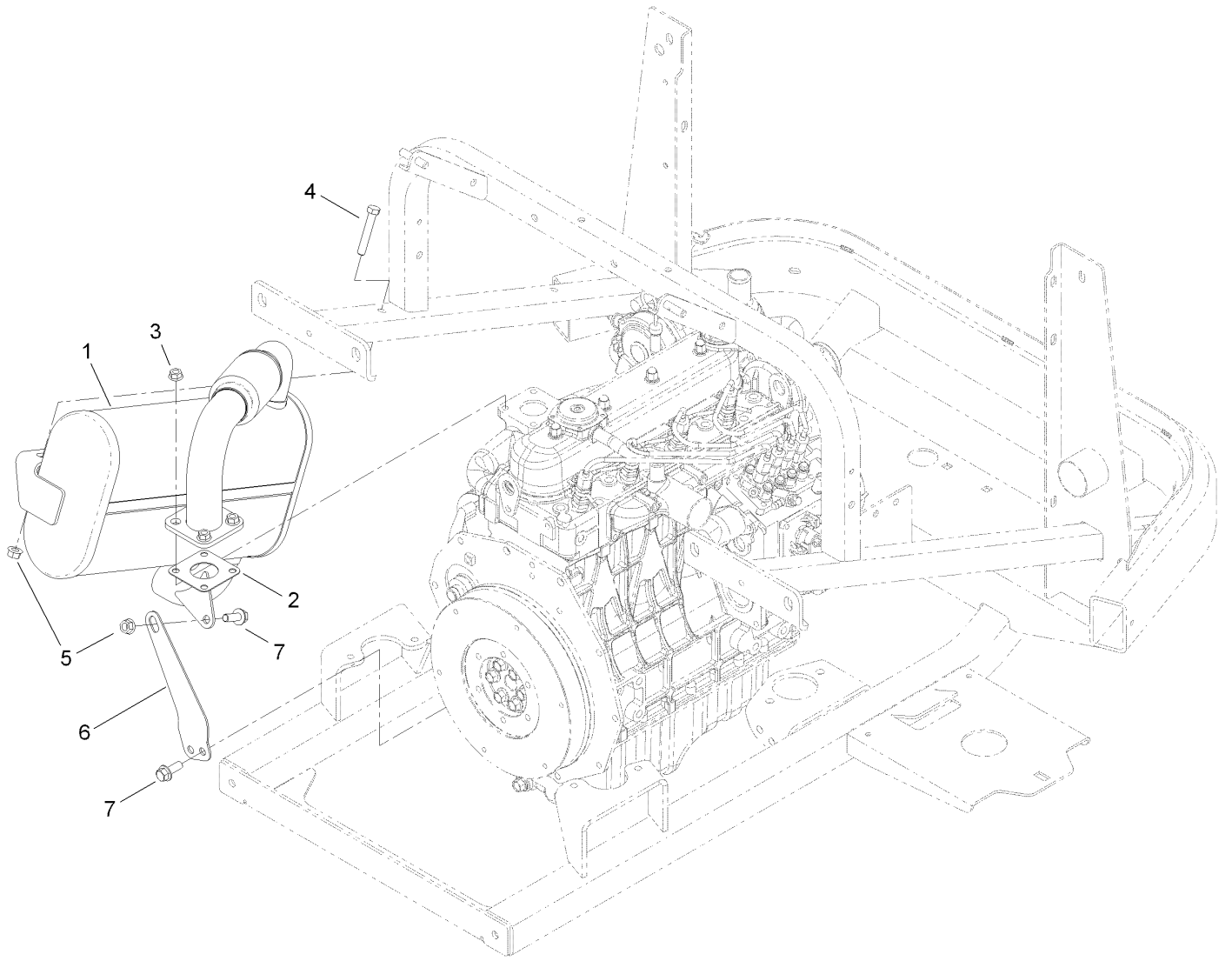
| Ref. | Part Number | Qty. | Description | Ref. | Part Number | Qty. | Description |
|------|-------------|------|---------------------------|------|-------------|------|-----------------|
| 1 | 119-1423-03 | 1 | Support-Radiator | 10 | 3234-42 | 2 | Screw-HHF |
| 2 | 117-3268 | 1 | Shroud Fan ASM | 11 | 104-8301 | 2 | Nut-Flange, NI |
| 2:2 | 117-4766 | 1 | Decal-Warning, Fan | 12 | 108-9930-03 | 1 | Bracket-Bottle |
| 3 | | 1 | Radiator And Cooler ASM ● | 13 | 321-5 | 2 | Screw-HH |
| 4 | 119-1426 | 2 | Seal-Bulb | 14 | 98-4799 | 2 | Spacer |
| 5 | 119-1422 | 3 | Mount-Isolator | 15 | 104-7201 | 2 | Nut-HF |
| 6 | 119-1427 | 2 | Seal-Bulb | 16 | 104-9318 | 1 | Bottle-Overflow |
| 7 | 115-0330 | 1 | Hose-Radiator, Upper | 17 | 108-3284 | 2 | Hose-Fuel |
| 8 | 32105-15 | 4 | Screw-HWH | 18 | 107069 | 4 | Clip |
| 9 | 2412-34 | 4 | Clamp-Hose | 20 | 32180-030 | 1 | Clip-Tie |

● Not serviced separately



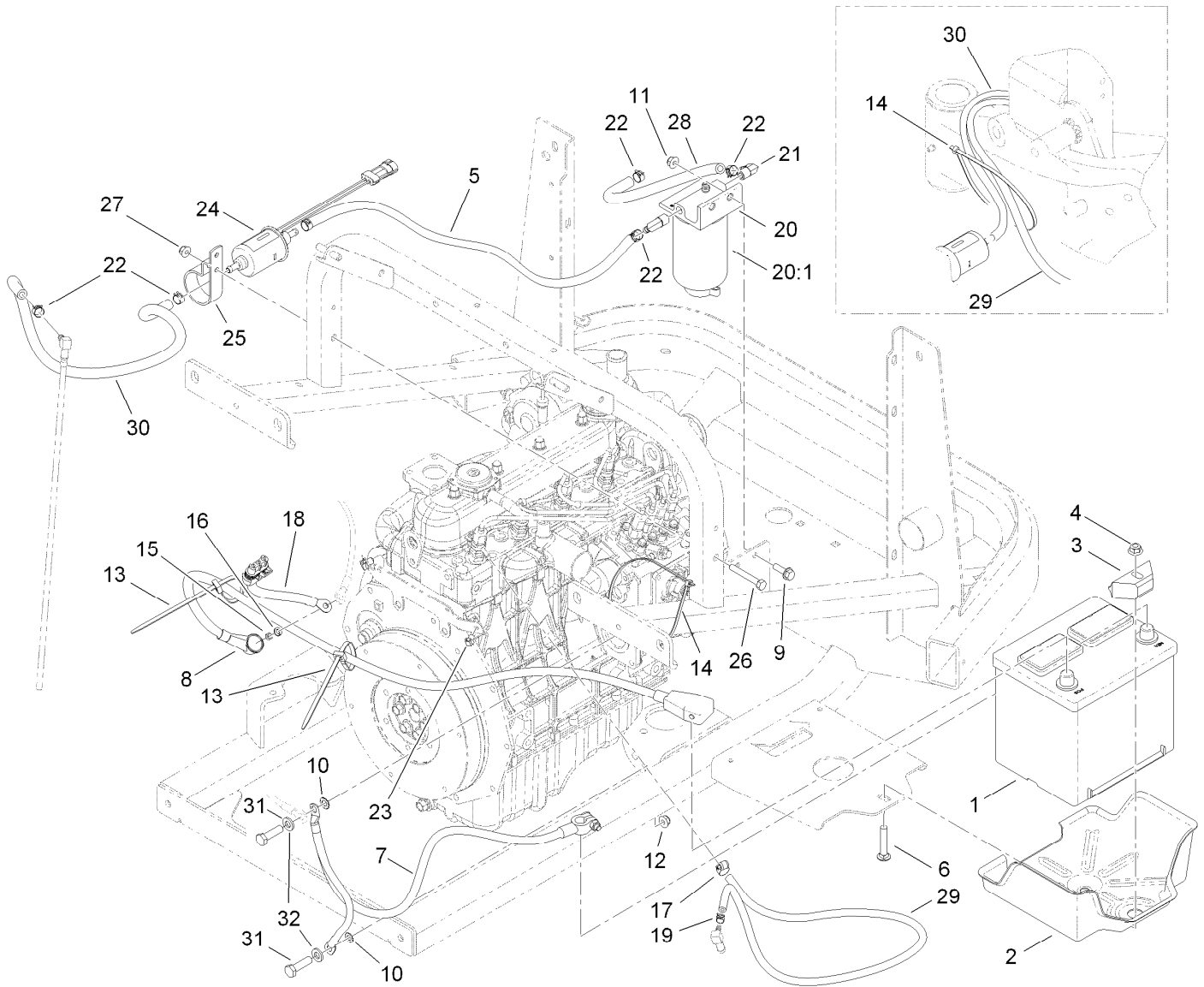
Radiator and Cooler Assembly

| Ref. | Part Number | Qty. | Description |
|------|-------------|------|------------------|
| 1 | 115-0050 | 1 | Radiator |
| 2 | 115-0051 | 1 | Cooler |
| 3 | 119-1430 | 1 | Radiator Cap ASM |
| 3:2 | 117-3276 | 1 | Decal-Danger |
| 4 | 99-8551 | 1 | Plug-Pipe |
| 5 | 322-5 | 4 | Screw-HH |
| 6 | 3253-4 | 4 | Washer-Lock |
| 7 | 3217-6 | 4 | Nut-Hex |



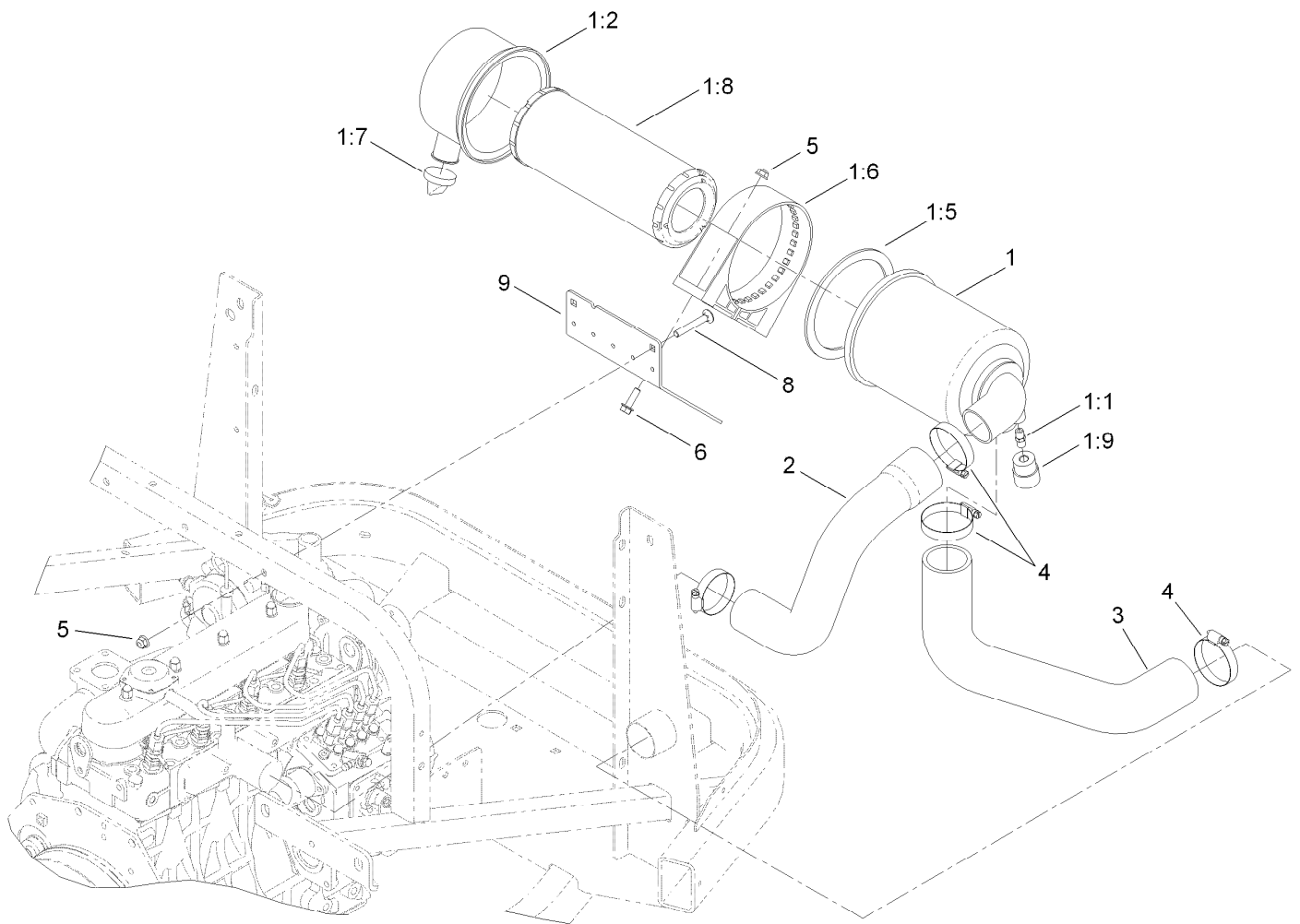
Muffler Assembly

| <i>Ref.</i> | <i>Part Number</i> | <i>Qty.</i> | <i>Description</i> |
|-------------|--------------------|-------------|--------------------|
| 1 | 115-0419 | 1 | Muffler |
| 2 | 98-9611 | 1 | Gasket |
| 3 | 33004-00 | 4 | Nut-HF |
| 4 | 323-11 | 2 | Screw-HH |
| 5 | 32128-21 | 5 | Nut-HF |
| 6 | 117-3033-03 | 1 | Support-Muffler |
| 7 | 3234-42 | 3 | Screw-HHF |



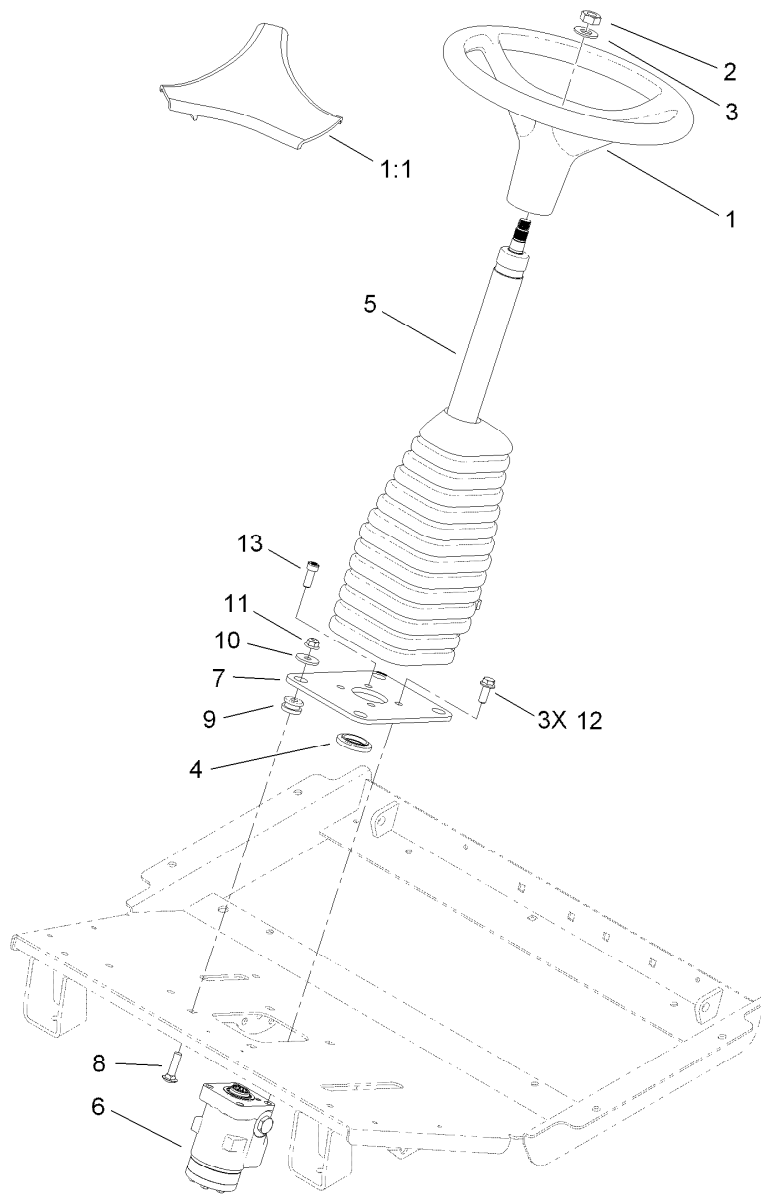
Battery and Fuel Delivery Assembly

| Ref. | Part Number | Qty. | Description | Ref. | Part Number | Qty. | Description |
|------|-------------|------|-------------------------|------|-------------|------|----------------------------|
| 1 | 106-5187 | 1 | Battery-Dry | 18 | 99-3441 | 1 | Harness-Wire, Fusible Link |
| 2 | 117-3027 | 1 | Tray-Battery | 19 | 2412-80 | 1 | Clamp-Hose |
| 3 | 66-2490 | 1 | Retainer-Battery | 20 | 110-9044 | 1 | Seperator Filter ASM |
| 4 | 104-8301 | 1 | Nut-Flange, NI | 20:1 | 110-9049 | 1 | Filter-Spin On |
| 5 | 109-0274 | 1 | Hose-Fuel | 21 | 353-781 | 2 | Fitting-Elbow |
| 6 | 3231-6 | 1 | Screw-CARR | 22 | 92-2379 | 6 | Clamp-Hose |
| 7 | 105-0040 | 1 | Cable-Battery, Negative | 23 | 32180-030 | 2 | Clip-Tie |
| 8 | 104-0086 | 1 | Cable-Battery, Positive | 24 | 110-8806 | 1 | Pump-Fuel |
| 9 | 3234-17 | 2 | Screw-HHF | 25 | 110-8817 | 1 | Bracket-Pump, Fuel |
| 10 | 3255-8 | 2 | Washer-Lock | 26 | 321-15 | 1 | Screw-HH |
| 11 | 104-8300 | 2 | Nut-Flange, NI | 27 | 104-7201 | 1 | Nut-HF |
| 12 | 32128-25 | 2 | Nut-HF | 28 | 110-4105 | 1 | Hose-Fuel |
| 13 | 3290-378 | 2 | Tie-Cable | 29 | 110-3958 | 1 | Hose-Fuel |
| 14 | 3290-379 | 1 | Tie-Cable | 30 | 110-3257 | 1 | Hose-Fuel |
| 15 | 33014-00 | 1 | Nut-Hex | 31 | 322-6 | 2 | Screw-HH |
| 16 | 3253-4 | 1 | Washer-Lock | 32 | 3256-23 | 2 | Washer-Flat |
| 17 | 2412-108 | 1 | Clamp-Worm | | | | |



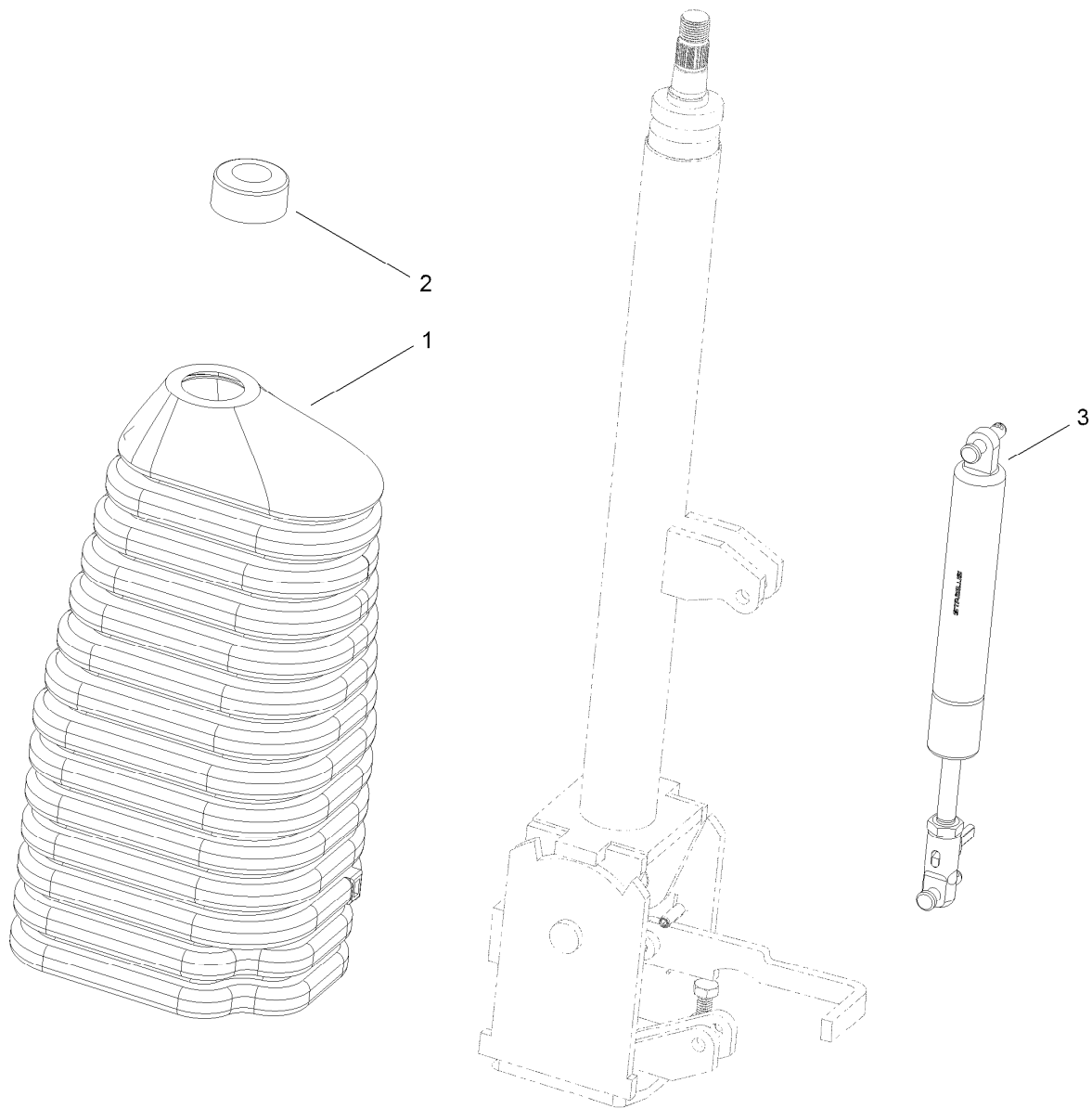
Air Cleaner Assembly

| Ref. | Part Number | Qty. | Description |
|-------------|--------------------|-------------|-------------------------|
| 1 | 104-3428 | 1 | Air Cleaner ASM |
| 1:1 | 105-4292 | 1 | Nipple-Pipe |
| 1:2 | 104-0497 | 1 | Cover |
| 1:5 | 104-4897 | 1 | Gasket |
| 1:6 | 98-4525 | 1 | Bracket-Cleaner, Air |
| 1:7 | 104-0498 | 1 | Valve-Vacuator |
| 1:8 | 108-3810 | 1 | Filter-Air |
| 1:9 | 93-9164 | 1 | Indicator-Mini |
| 2 | 117-3020 | 1 | Hose-Air Intake, Engine |
| 3 | 117-3021 | 1 | Hose-Inlet, Air |
| 4 | 2412-130 | 4 | Clamp-Hose |
| 5 | 104-8300 | 4 | Nut-Flange, NI |
| 6 | 3234-17 | 2 | Screw-HHF |
| 8 | 3230-7 | 2 | Bolt-CARR |
| 9 | 119-1350-03 | 1 | Plate-Air Cleaner |



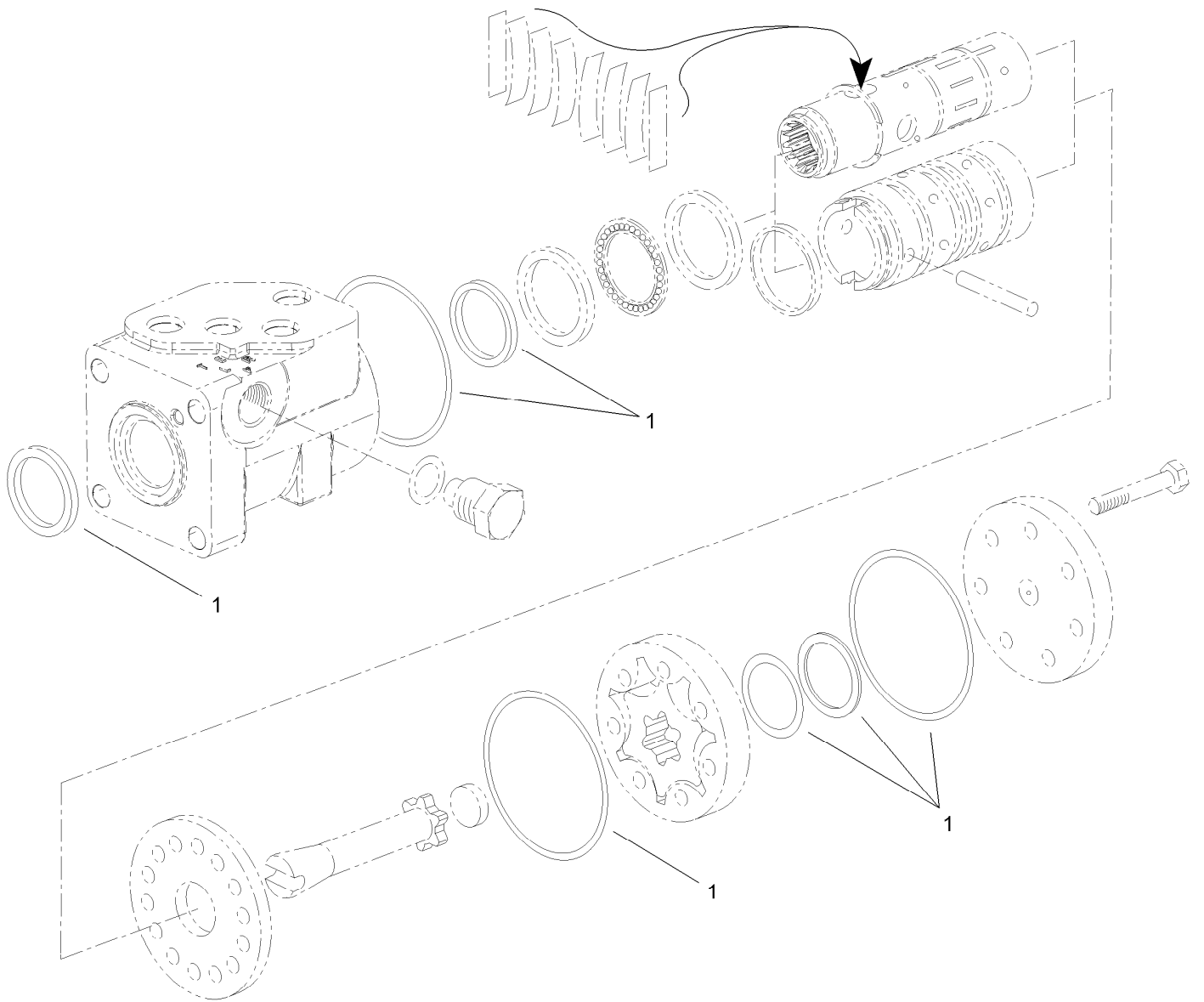
Steering Column Assembly

| Ref. | Part Number | Qty. | Description |
|------|-------------|------|-----------------------|
| 1 | 98-1471 | 1 | Wheel-Steering |
| 1:1 | 98-1468 | 1 | Cover-Wheel, Steering |
| 2 | 3296-33 | 1 | Nut-Lock, NI |
| 3 | 3256-27 | 1 | Washer-Flat |
| 4 | 117-3373 | 1 | Bushing-Alignment |
| 5 | 117-3371 | 1 | Column-Steering |
| 6 | 117-3265 | 1 | Valve-Steering |
| 7 | 117-3234-03 | 1 | Plate-Steering |
| 8 | 3231-26 | 4 | Screw-CARR |
| 9 | 63-9750 | 4 | Mount |
| 10 | 63-8410 | 4 | Washer |
| 11 | 104-8301 | 4 | Nut-Flange, NI |
| 12 | 108-1531 | 3 | Screw-HHF |
| 13 | 3273-41 | 1 | Screw-HSH |



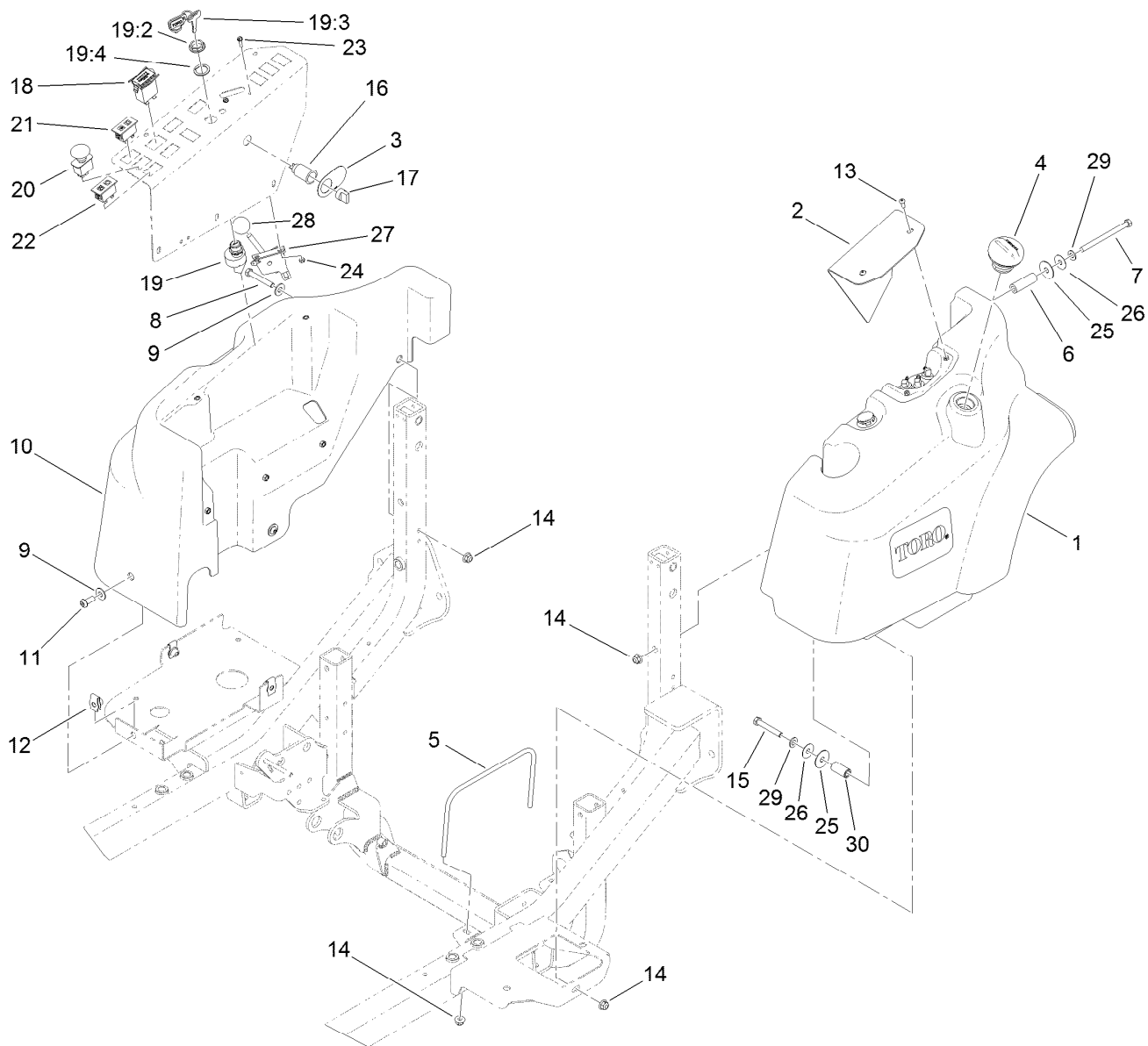
Steering Column Assembly No. 117-3371

| <i>Ref.</i> | <i>Part Number</i> | <i>Qty.</i> | <i>Description</i> |
|-------------|--------------------|-------------|----------------------|
| 1 | 120-2592 | 1 | Boot-Rubber, Column |
| 2 | 120-2593 | 1 | Boot-Rubber, Bearing |
| 3 | 120-2594 | 1 | Gas Spring ASM |



Steering Valve Assembly No. 117-3265

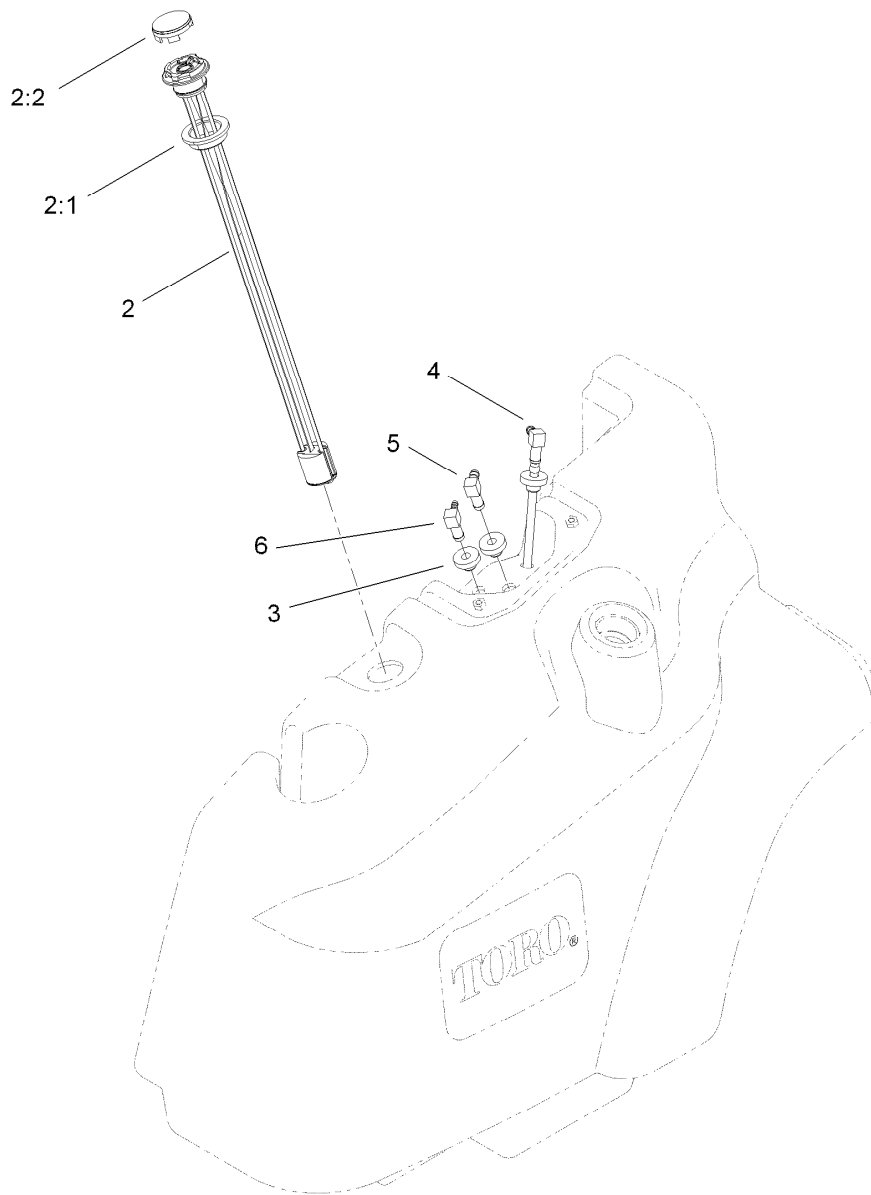
| <i>Ref.</i> | <i>Part Number</i> | <i>Qty.</i> | <i>Description</i> |
|-------------|--------------------|-------------|--------------------|
| 1 | 108-1519 | 1 | Seal Kit |



Fuel Tank and Control Panel Component Assembly

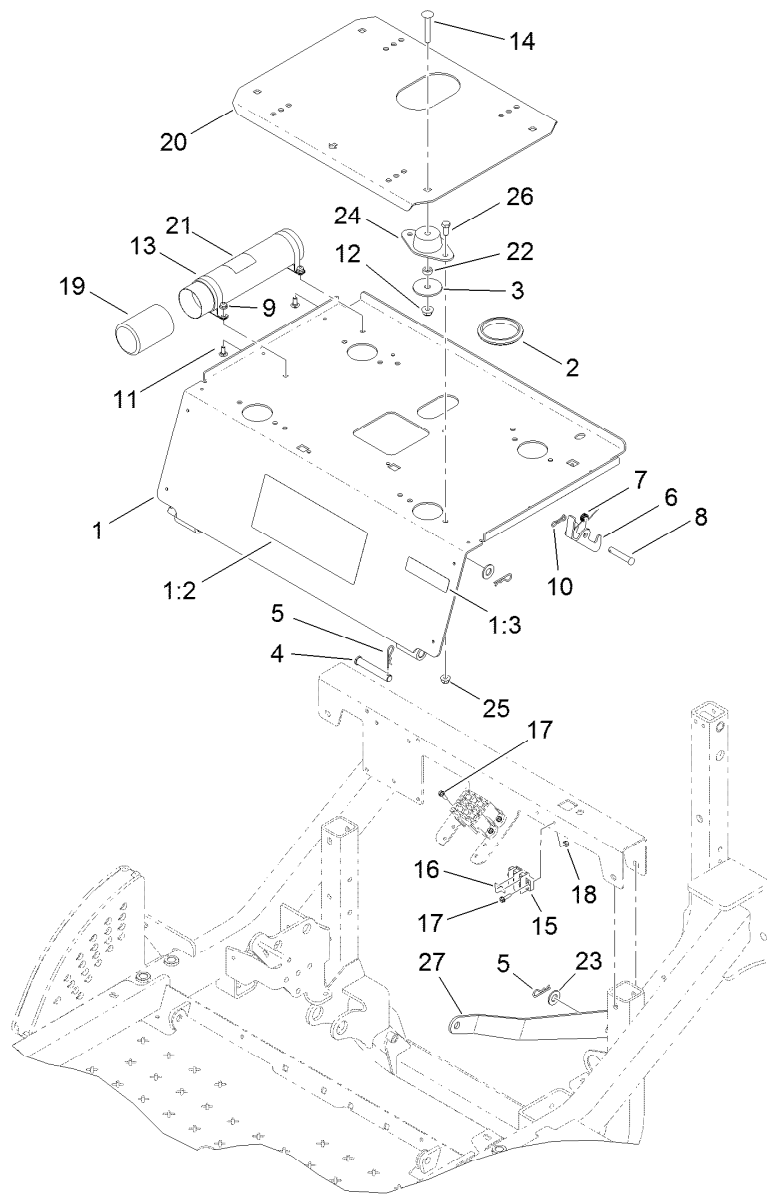
| Ref. | Part Number | Qty. | Description |
|------|-------------|------|------------------|
| 1 | 120-0255 | 1 | Fuel Tank ASM |
| 2 | 117-3359-03 | 1 | Plate-Cover |
| 3 | 106-2353 | 1 | Decal-Powerpoint |
| 4 | 115-5305 | 1 | Cap-Fuel |
| 5 | 117-3394 | 1 | Bracket-Tank |
| 6 | 117-3387 | 1 | Tube-Spacer |
| 7 | 323-39 | 1 | Screw-HH |
| 8 | 323-14 | 1 | Screw-HH |
| 9 | 100-7403 | 4 | Washer-Flat |
| 10 | 117-3353 | 1 | Cover-Tank, HYD |
| 11 | 3274-94 | 3 | Screw-HSBH |
| 12 | 105-4886 | 3 | Nut-Tinnerman |
| 13 | 3274-31 | 2 | Screw-HSBH |
| 14 | 104-8301 | 5 | Nut-Flange, NI |
| 15 | 323-12 | 1 | Screw-HH |
| 16 | 99-7411 | 1 | Point-Power |
| 17 | 99-7416 | 1 | Cap |

| Ref. | Part Number | Qty. | Description |
|------|-------------|------|---------------------|
| 18 | 1-513374 | 1 | Meter-Hour |
| 19 | 106-5269 | 1 | Ignition Switch ASM |
| 19:2 | 108-8660 | 1 | Nut-Mounting |
| 19:3 | 106-5270 | 1 | Ignition Key Set |
| 19:4 | 108-8659 | 1 | Washer-Backup |
| 20 | 95-4108 | 1 | Switch-PTO |
| 21 | 100-8070 | 1 | Lamp-Warning |
| 22 | 100-8071 | 1 | Lamp-Warning |
| 23 | 32105-13 | 2 | Screw-HWH |
| 24 | 3296-2 | 2 | Nut-Lock, NI |
| 25 | 95-1905 | 2 | Washer-Rubber |
| 26 | 105-6814 | 2 | Washer-Plain |
| 27 | 110-5547 | 1 | Lever-Control |
| 28 | 233-42 | 1 | Knob |
| 29 | 3256-24 | 2 | Washer-Flat |
| 30 | 110-3726 | 1 | Spacer |



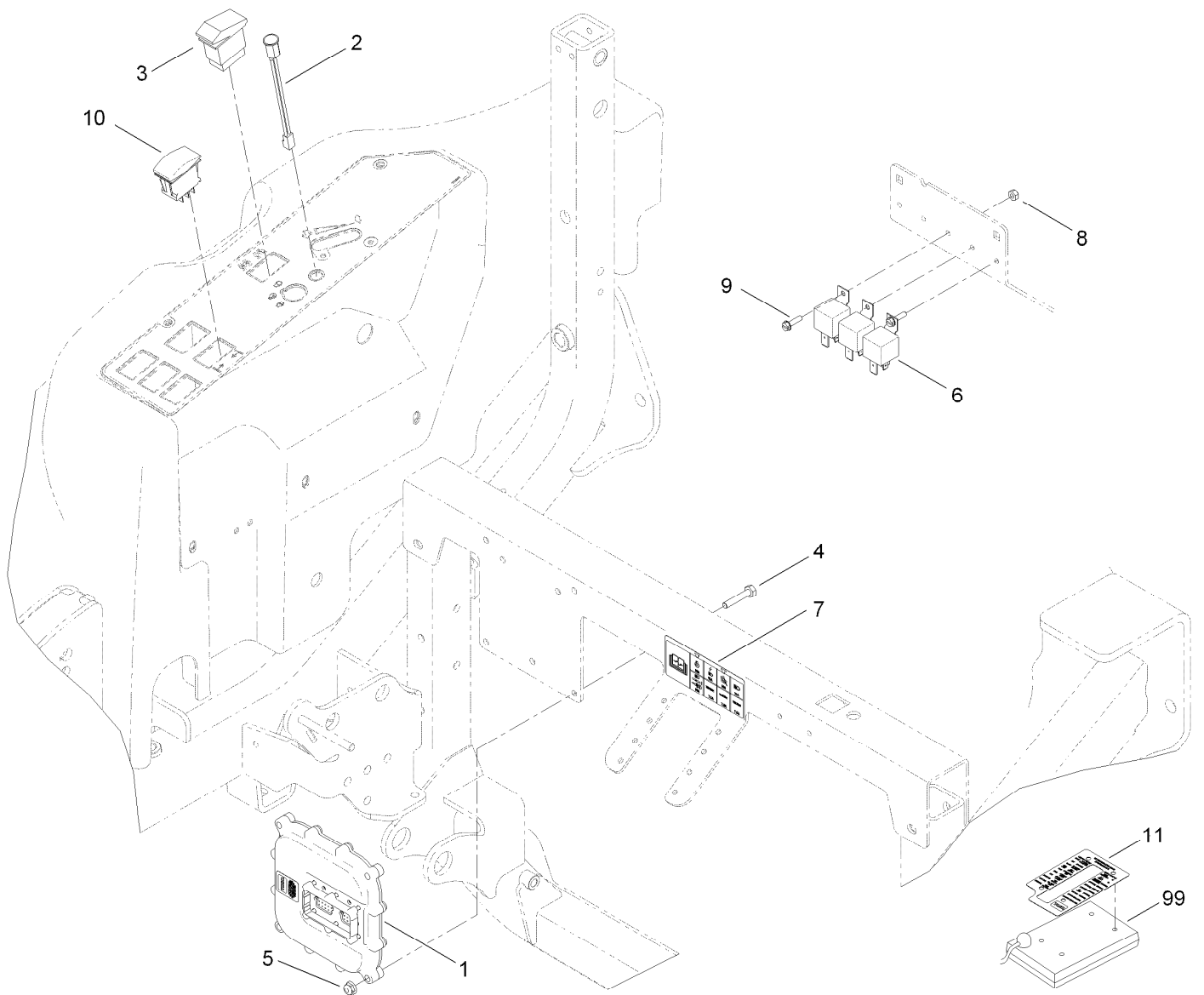
Fuel Tank Assembly No. 120-0255

| <i>Ref.</i> | <i>Part Number</i> | <i>Qty.</i> | <i>Description</i> |
|-------------|--------------------|-------------|-----------------------|
| 2 | 117-3238 | 1 | Gauge-Fuel |
| 2:1 | 119-0508 | 1 | Seal |
| 2:2 | 117-8404 | 1 | Dial-Gauge |
| 3 | 46-6560 | 3 | Bushing |
| 4 | 117-3370 | 1 | Pipe-Stand |
| 5 | 46-6550 | 1 | Fitting-Elbow, 90 DEG |
| 6 | 104-5228 | 1 | Fitting-Elbow, 90 DEG |



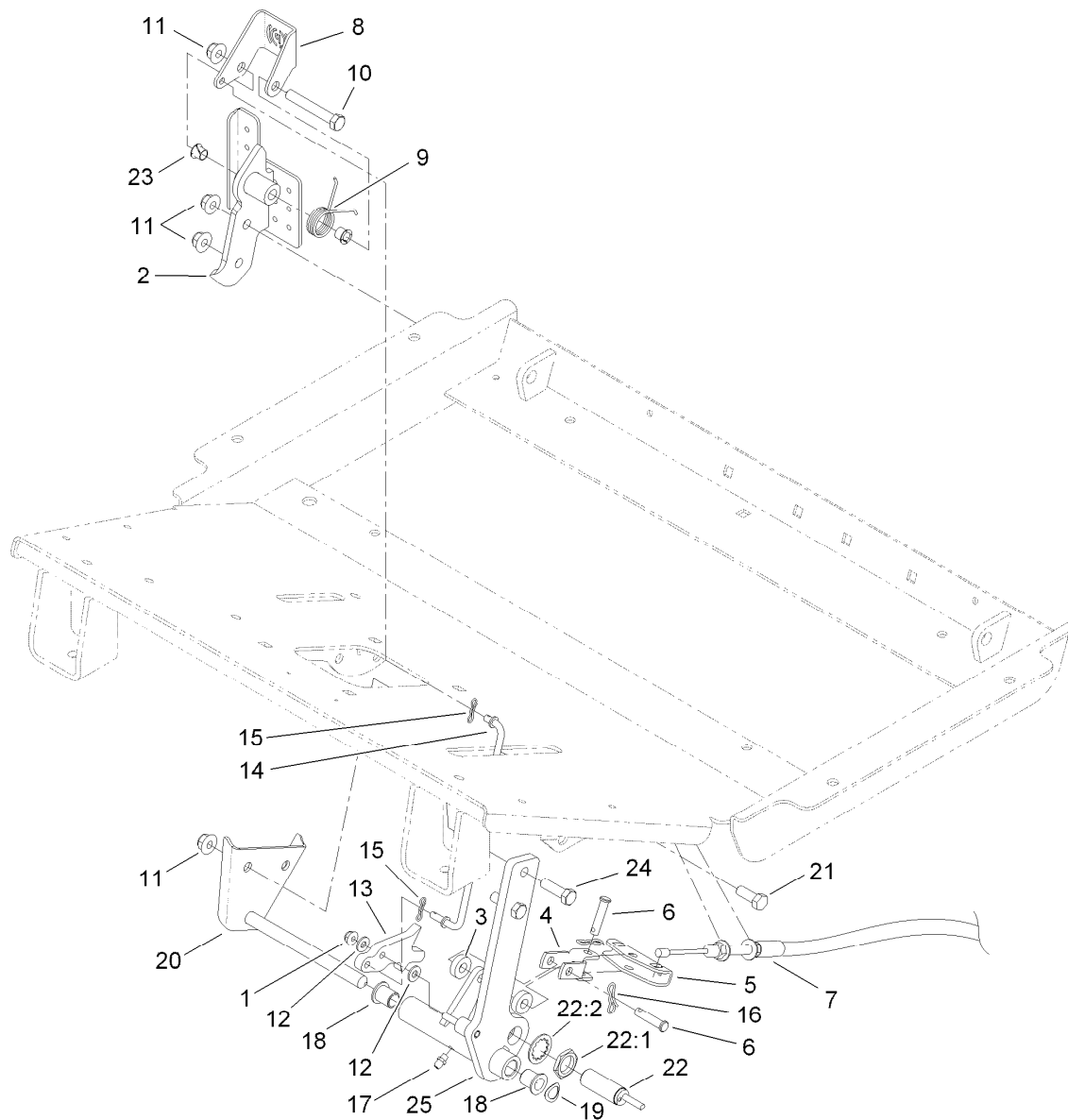
Seat Plate Assembly

| <i>Ref.</i> | <i>Part Number</i> | <i>Qty.</i> | <i>Description</i> | <i>Ref.</i> | <i>Part Number</i> | <i>Qty.</i> | <i>Description</i> |
|-------------|--------------------|-------------|--------------------------|-------------|--------------------|-------------|------------------------|
| 1 | 120-0244 | 1 | Seat Plate ASM | 14 | 3231-40 | 4 | Bolt-CARR, Short Neck |
| 1:2 | 117-3273 | 1 | Decal-Operation, Warning | 15 | 42862 | 1 | Block-Terminal, Ground |
| 1:3 | 117-2718 | 1 | Decal-Spark Arrester | 16 | 42863 | 1 | Strip-Jumper |
| 2 | 237-164 | 1 | Grommet | 17 | 32105-13 | 4 | Screw-HWH |
| 3 | 83-1040 | 4 | Washer-Flat | 18 | 3296-2 | 4 | Nut-Lock, NI |
| 4 | 283-55 | 2 | Pin-Clevis | 19 | 104-7048 | 1 | Cap-Housing |
| 5 | 3290-467 | 4 | Pin-Hair | 20 | 117-3065-03 | 1 | Plate-Seat |
| 6 | 117-3067 | 1 | Latch-Seat | 21 | 104-7050 | 1 | Tube-Manual |
| 7 | 104-4821 | 1 | Spring-Torsion | 22 | 83-1050 | 4 | Spacer |
| 8 | 283-82 | 1 | Pin-Clevis | 23 | 3256-26 | 2 | Washer-Flat |
| 9 | 104-7201 | 2 | Nut-HF | 24 | 83-1030 | 4 | Mount-Engine |
| 10 | 119-1415 | 1 | Pin-Cotter, Locking | 25 | 104-8300 | 8 | Nut-Flange, NI |
| 11 | 3229-1 | 2 | Bolt-CARR | 26 | 322-3 | 8 | Screw-HH |
| 12 | 104-8301 | 4 | Nut-Flange, NI | 27 | 120-0242-01 | 1 | Strap-Prop |
| 13 | 107-1865 | 2 | R-Clamp | | | | |



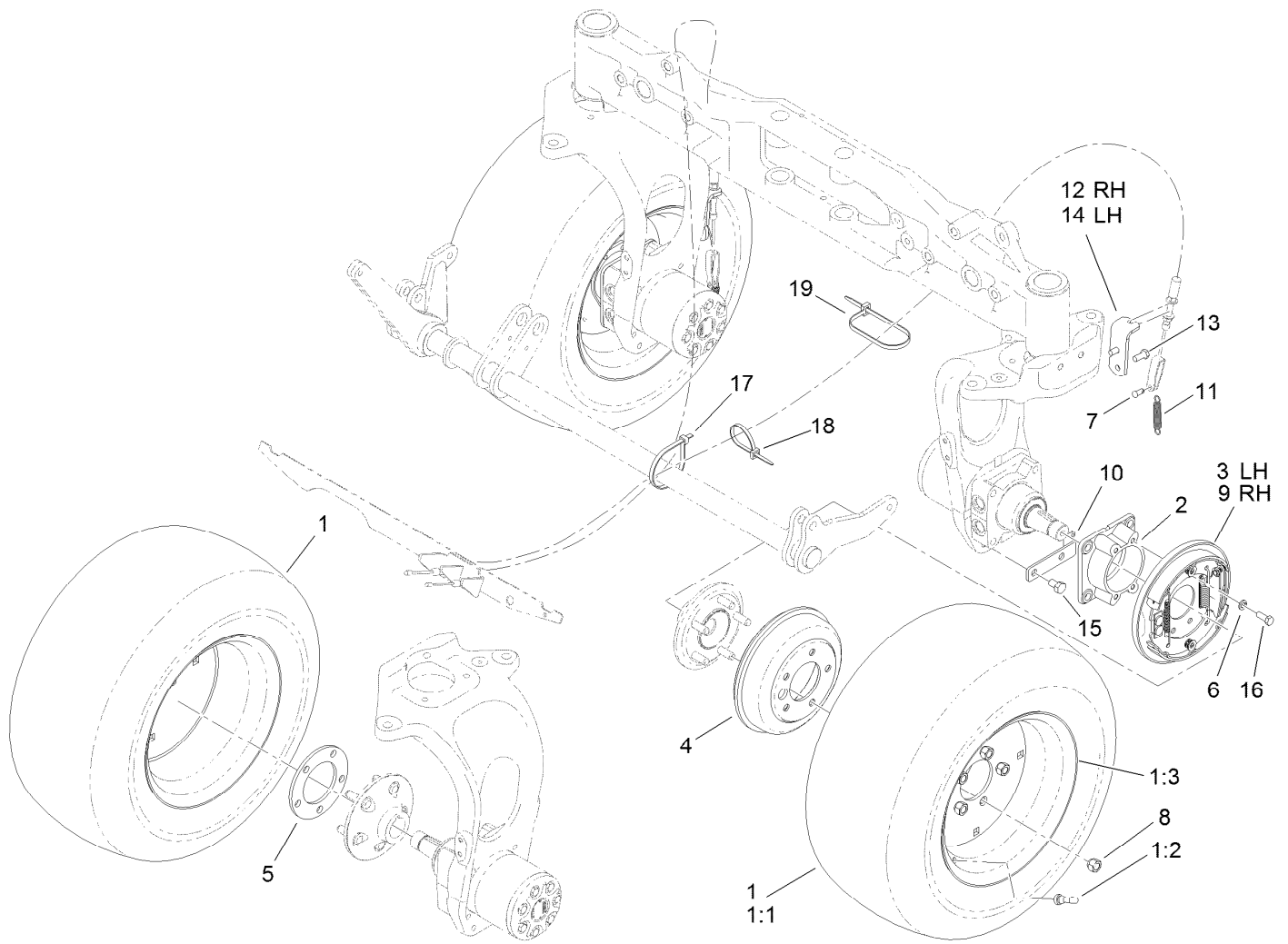
4 Wheel Drive Module Control and Relay Assembly

| <i>Ref.</i> | <i>Part Number</i> | <i>Qty.</i> | <i>Description</i> |
|-------------|--------------------|-------------|--------------------------|
| 1 | 115-1900 | 1 | Controller |
| 2 | 95-7652 | 1 | Light-Indicator |
| 3 | 100-8490 | 1 | Switch-Rocker |
| 4 | 321-13 | 4 | Screw-HH |
| 5 | 104-7201 | 4 | Nut-HF |
| 6 | 99-7435 | 3 | Relay-Power |
| 7 | 117-3233 | 1 | Decal-Fuseblock |
| 8 | 3296-2 | 3 | Nut-Lock, NI |
| 9 | 32105-13 | 3 | Screw-HWH |
| 10 | 100-1535 | 1 | Switch |
| 11 | 120-0273 | 1 | Decal-Diagnostic, Master |
| 99 | 85-4750 | 1 | Box-Display, Diagnostic |



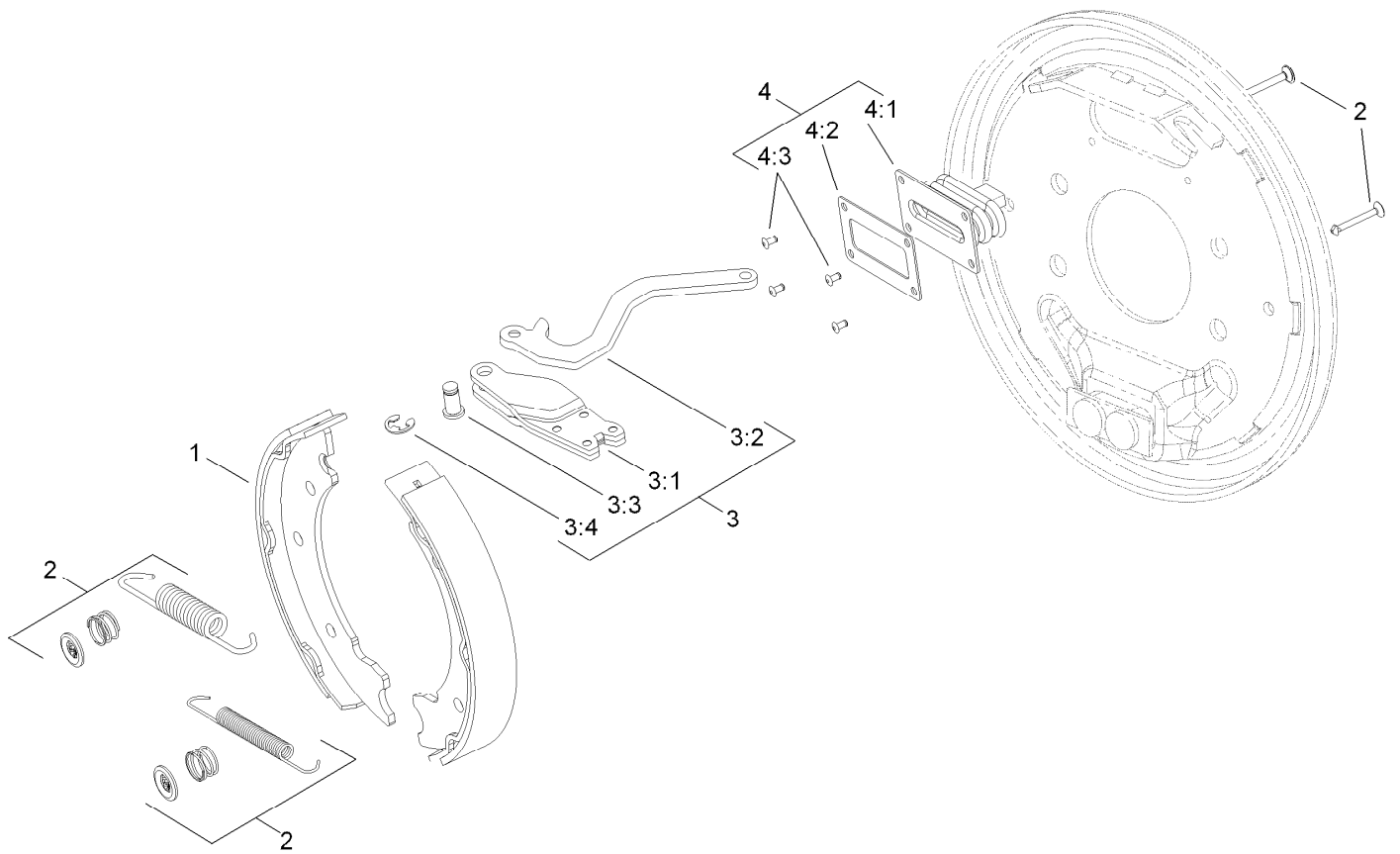
Brake Pedal Assembly

| <i>Ref.</i> | <i>Part Number</i> | <i>Qty.</i> | <i>Description</i> | <i>Ref.</i> | <i>Part Number</i> | <i>Qty.</i> | <i>Description</i> |
|-------------|--------------------|-------------|--------------------|-------------|--------------------|-------------|-----------------------------|
| 1 | 104-7201 | 1 | Nut-HF | 15 | 119-1414 | 2 | Pin-Cotter, Locking |
| 2 | 119-1403-03 | 1 | Pedal-Brake | 16 | 119-1415 | 2 | Pin-Cotter, Locking |
| 3 | 5-0652 | 2 | Spacer | 17 | 302-5 | 1 | Fitting-Grease |
| 4 | 115-8060 | 1 | Clevis-Double | 18 | 256-155 | 2 | Bushing-Flange |
| 5 | 115-8059 | 1 | Yoke-Cable | 19 | 3290-221 | 1 | Washer-Spring |
| 6 | 283-14 | 2 | Pin-Clevis | 20 | 119-1388 | 1 | Brake Pin ASM |
| 7 | 117-3214 | 2 | Cable-Brake | 21 | 323-6 | 2 | Screw-HH |
| 8 | 119-1407 | 1 | Pedal-Park | 22 | 115-5300 | 1 | Proximity Switch ASM |
| 9 | 99-7140 | 1 | Spring-Torsion | 22:1 | 117-3207 | 2 | Nut-Hex |
| 10 | 323-12 | 1 | Screw-HH | 22:2 | 117-3208 | 2 | Washer-Lock, Internal Tooth |
| 11 | 104-8301 | 5 | Nut-Flange, NI | 23 | 52-2891 | 2 | Bushing-Flanged, Nylon |
| 12 | 3256-22 | 2 | Washer-Flat | 24 | 323-7 | 2 | Screw-HH |
| 13 | 119-1406 | 1 | Detent-Brake | 25 | 119-1400-03 | 1 | Lever-Brake |
| 14 | 119-1405 | 1 | Rod-Brake Pawl | | | | |



Wheel and Brake Assembly

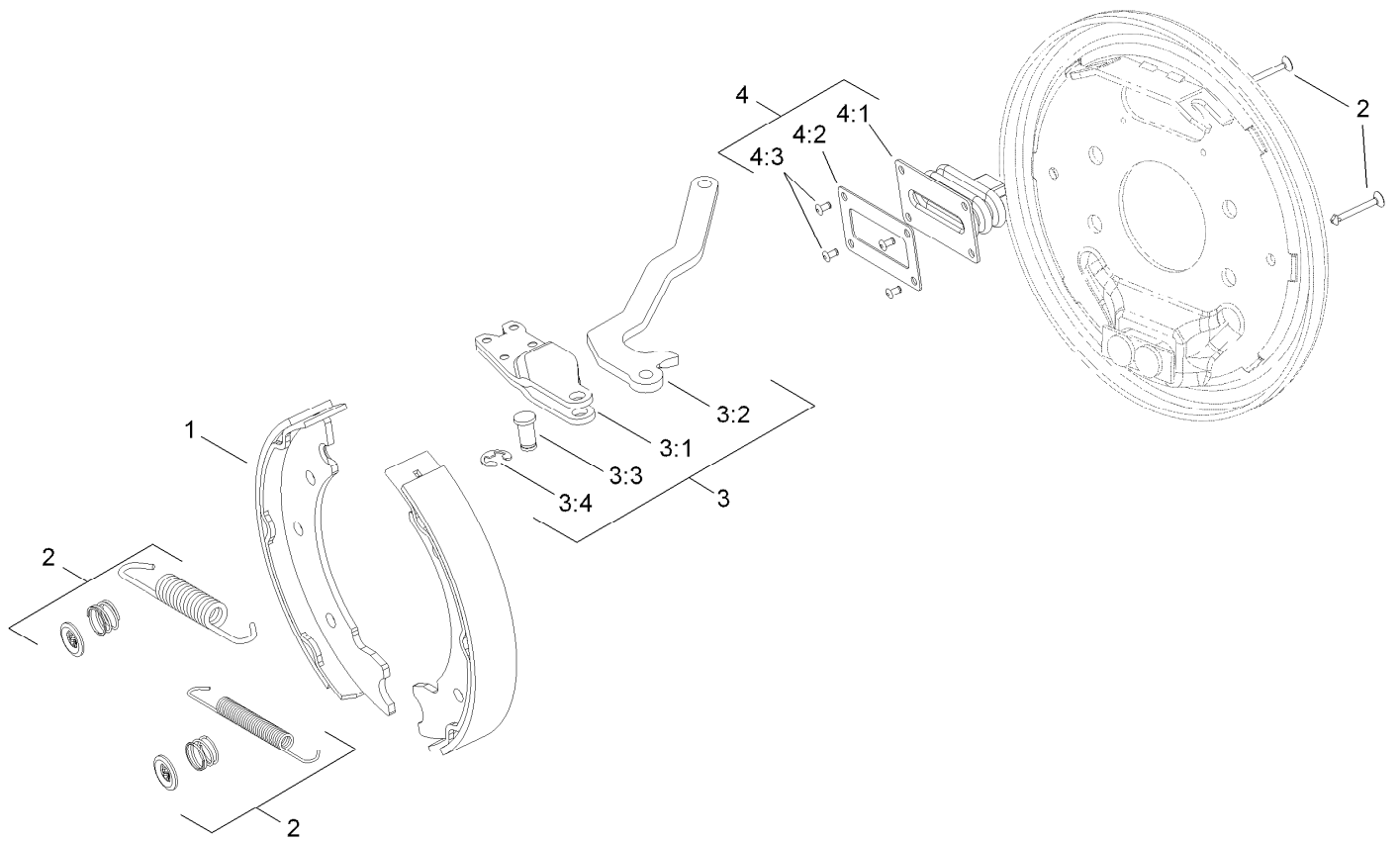
| Ref. | Part Number | Qty. | Description | Ref. | Part Number | Qty. | Description |
|------|-------------|------|--------------------|------|-------------|------|-------------------------|
| 1 | 117-2900 | 4 | Tire And Wheel ASM | 9 | 120-0233 | 1 | RH Brake ASM |
| 1:1 | 117-2901 | 1 | Tire | 10 | 115-0132 | 2 | Bracket-Spring, Return |
| 1:2 | 232-27 | 1 | Stem-Valve | 11 | 87-4020 | 2 | Spring-Extension |
| 1:3 | 117-2902 | 1 | Rim | 12 | 119-1352-03 | 1 | Bracket-Brake Cable, RH |
| 2 | 120-0248-03 | 2 | Adapter-Brake | 13 | 325-2 | 4 | Screw-HH |
| 3 | 120-0235 | 1 | LH Brake ASM | 14 | 119-1449-03 | 1 | Bracket-Brake Cable, LH |
| 4 | 114-8864 | 2 | Drum-Brake | 15 | 323-5 | 4 | Screw-HH |
| 5 | 115-0199-03 | 2 | Spacer-Wheel | 16 | 323-6 | 8 | Screw-HH |
| 6 | 3253-21 | 8 | Washer-Lock | 17 | 3334-945 | 1 | Tie-Cable |
| 7 | 283-62 | 2 | Pin-Clevis | 18 | 3290-378 | 1 | Tie-Cable |
| 8 | 242-50 | 10 | Nut-Lug | 19 | 3290-379 | 1 | Tie-Cable |



Left Hand Brake Assembly No. 120-0235

| Ref. | Part Number | Qty. | Description |
|------|-------------|------|--------------------|
| 1 | 108-6981 | 1 | Brake Shoe Kit |
| 2 | 108-6983 | 1 | Brake Hardware Kit |
| 3 | 120-0236 | 1 | LH Actuator Kit |
| 3:1 | | 1 | Housing ● |
| 3:2 | | 1 | Lever-LH ● |
| 3:3 | | 1 | Pin-Pivot ● |
| 3:4 | | 1 | E-Ring ● |
| 4 | 110-8885 | 1 | Dust Boot Kit |
| 4:1 | | 1 | Boot ● |
| 4:2 | | 1 | Plate-Back Up ● |
| 4:3 | | 2 | Rivet ● |

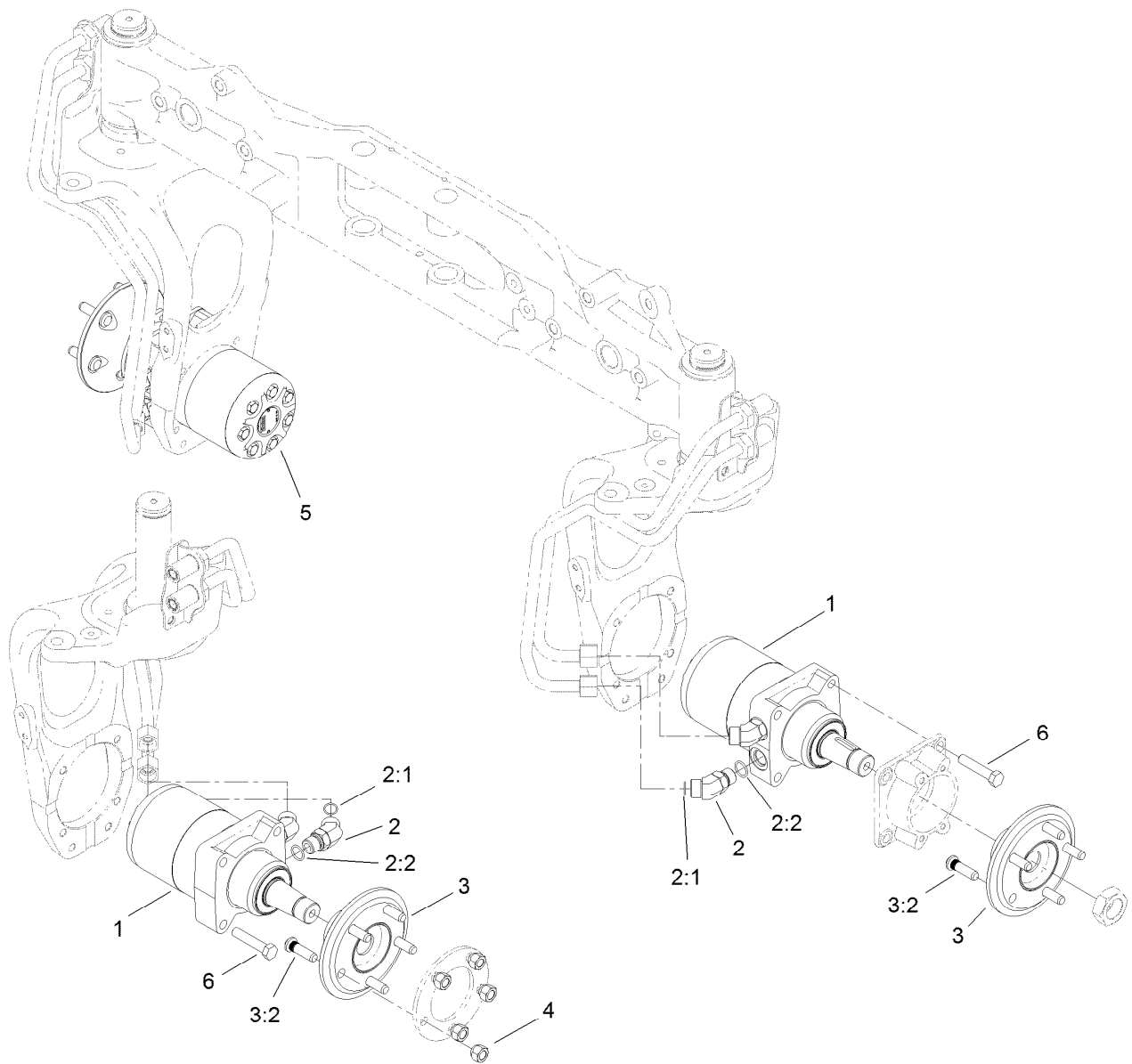
● Not serviced separately



Right Hand Brake Assembly No. 120-0233

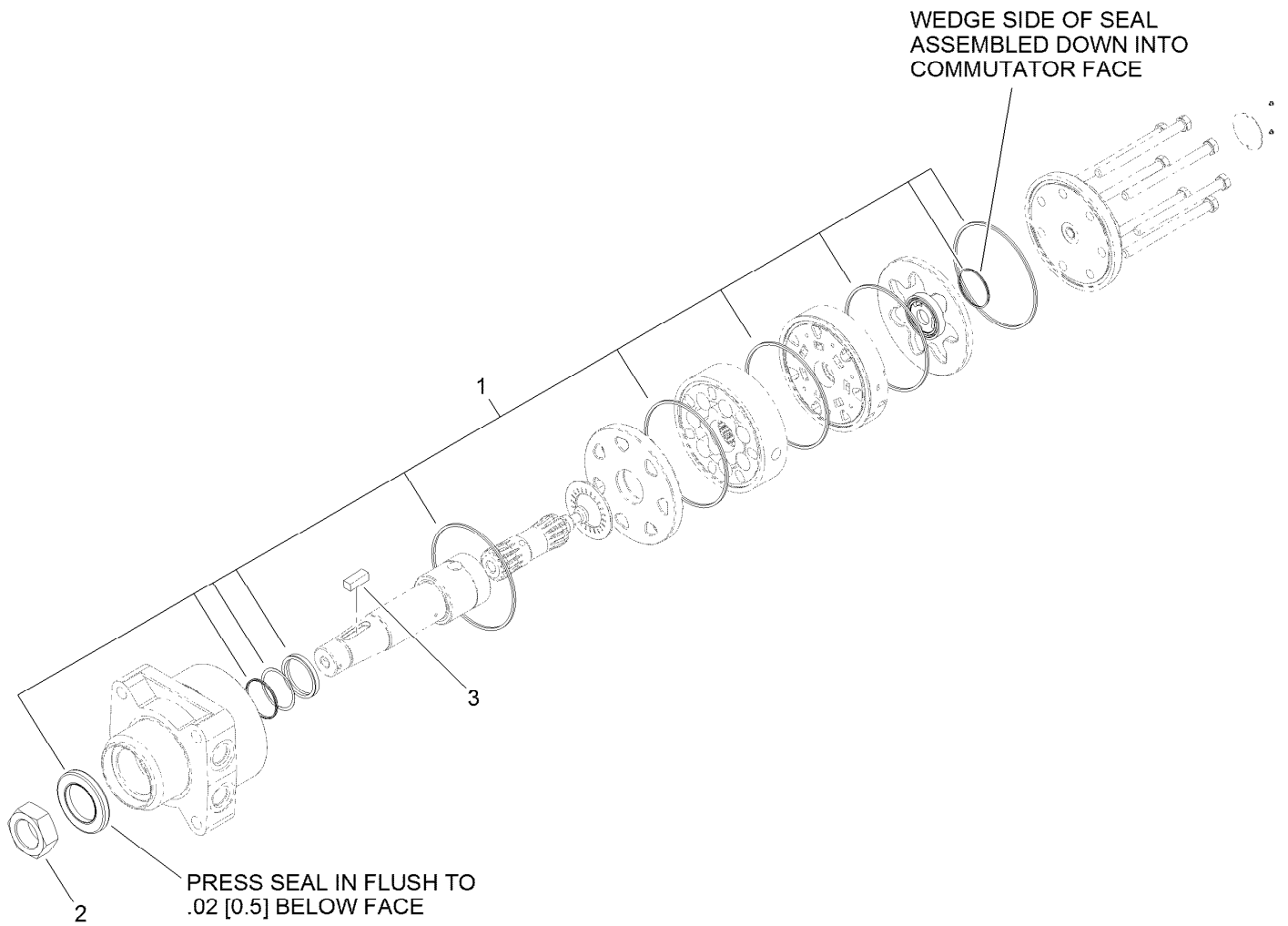
| Ref. | Part Number | Qty. | Description |
|------|-------------|------|--------------------|
| 1 | 108-6981 | 1 | Brake Shoe Kit |
| 2 | 108-6983 | 1 | Brake Hardware Kit |
| 3 | 120-0234 | 1 | RH Actuator Kit |
| 3:1 | | 1 | Housing ● |
| 3:2 | | 1 | Lever-RH ● |
| 3:3 | | 1 | Pin-Pivot ● |
| 3:4 | | 1 | E-Ring ● |
| 4 | 110-8885 | 1 | Dust Boot Kit |
| 4:1 | | 1 | Boot ● |
| 4:2 | | 1 | Plate-Back Up ● |
| 4:3 | | 2 | Rivet ● |

● Not serviced separately



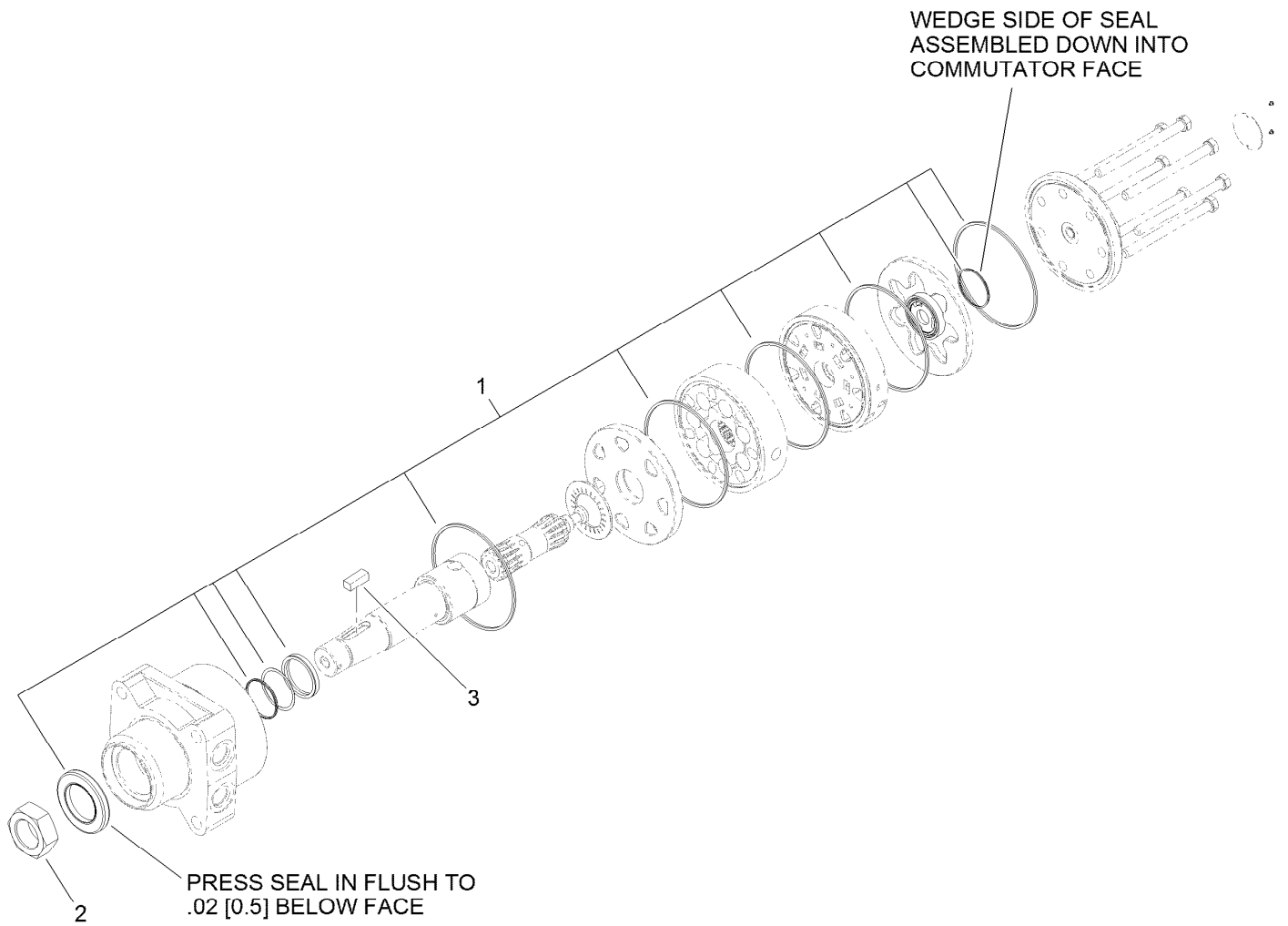
4 Wheel Drive Hydraulic Motor and Fitting Assembly

| <i>Ref.</i> | <i>Part Number</i> | <i>Qty.</i> | <i>Description</i> |
|-------------|--------------------|-------------|-------------------------|
| 1 | 117-3284 | 2 | HYD Motor ASM (280 CCW) |
| 2 | 340-14 | 8 | Fitting-HYD, 45 DEG |
| 2:1 | 237-65 | 1 | O-Ring |
| 2:2 | 237-80 | 1 | O-Ring |
| 3 | 120-6739 | 4 | Wheel Hub ASM |
| 3:2 | 10-6830 | 5 | Stud-Type, Drive |
| 4 | 242-50 | 10 | Nut-Lug |
| 5 | 117-3285 | 2 | HYD Motor ASM (280 CW) |
| 6 | 325-34 | 16 | Screw-HH |



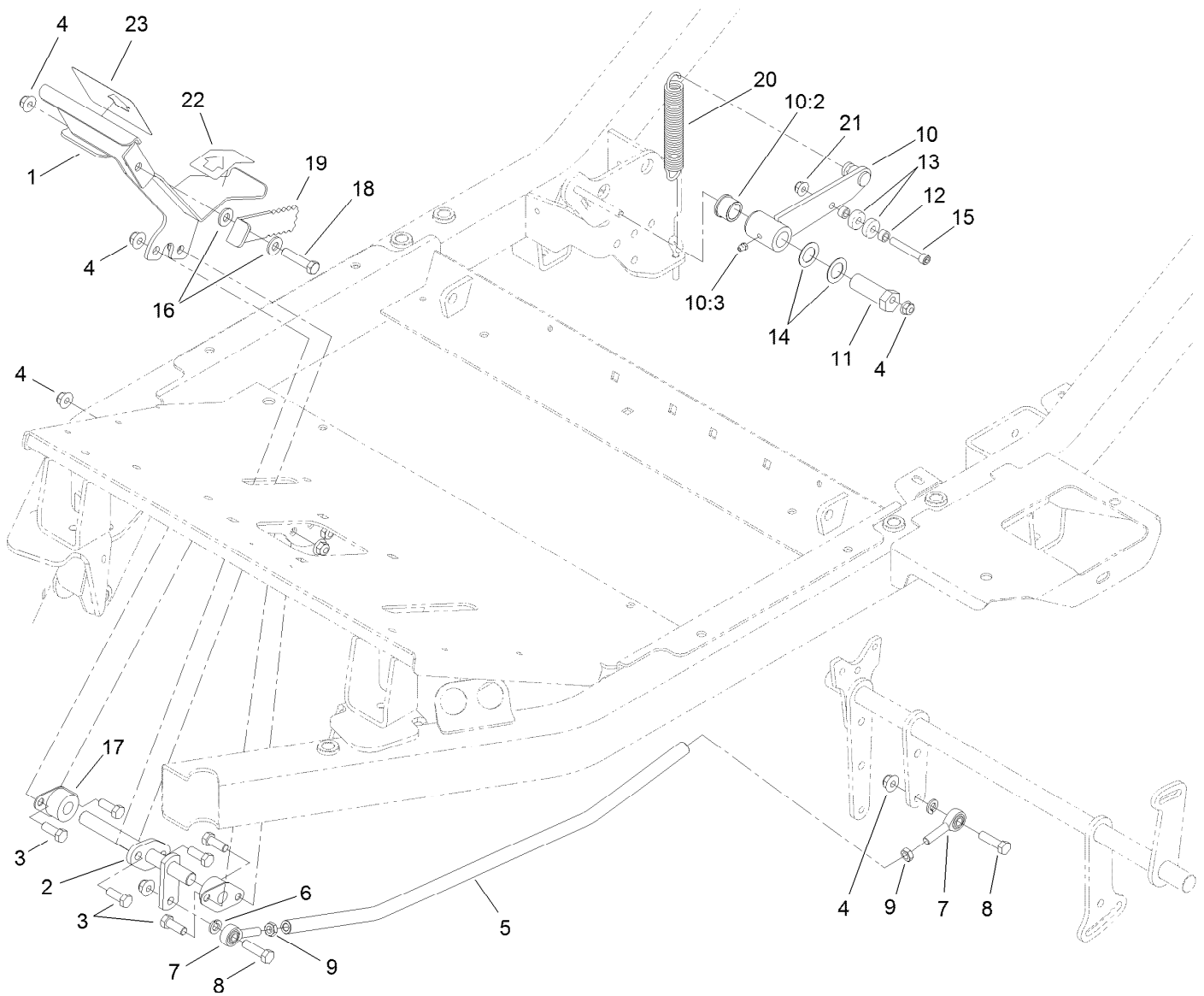
Hydraulic Motor Assembly No. 117-3284 (CCW)

| <i>Ref.</i> | <i>Part Number</i> | <i>Qty.</i> | <i>Description</i> |
|-------------|--------------------|-------------|--------------------|
| 1 | 107-9368 | 1 | Seal Kit |
| 2 | 117-3290 | 1 | Nut-Hex |
| 3 | 117-5198 | 1 | Key-Square |



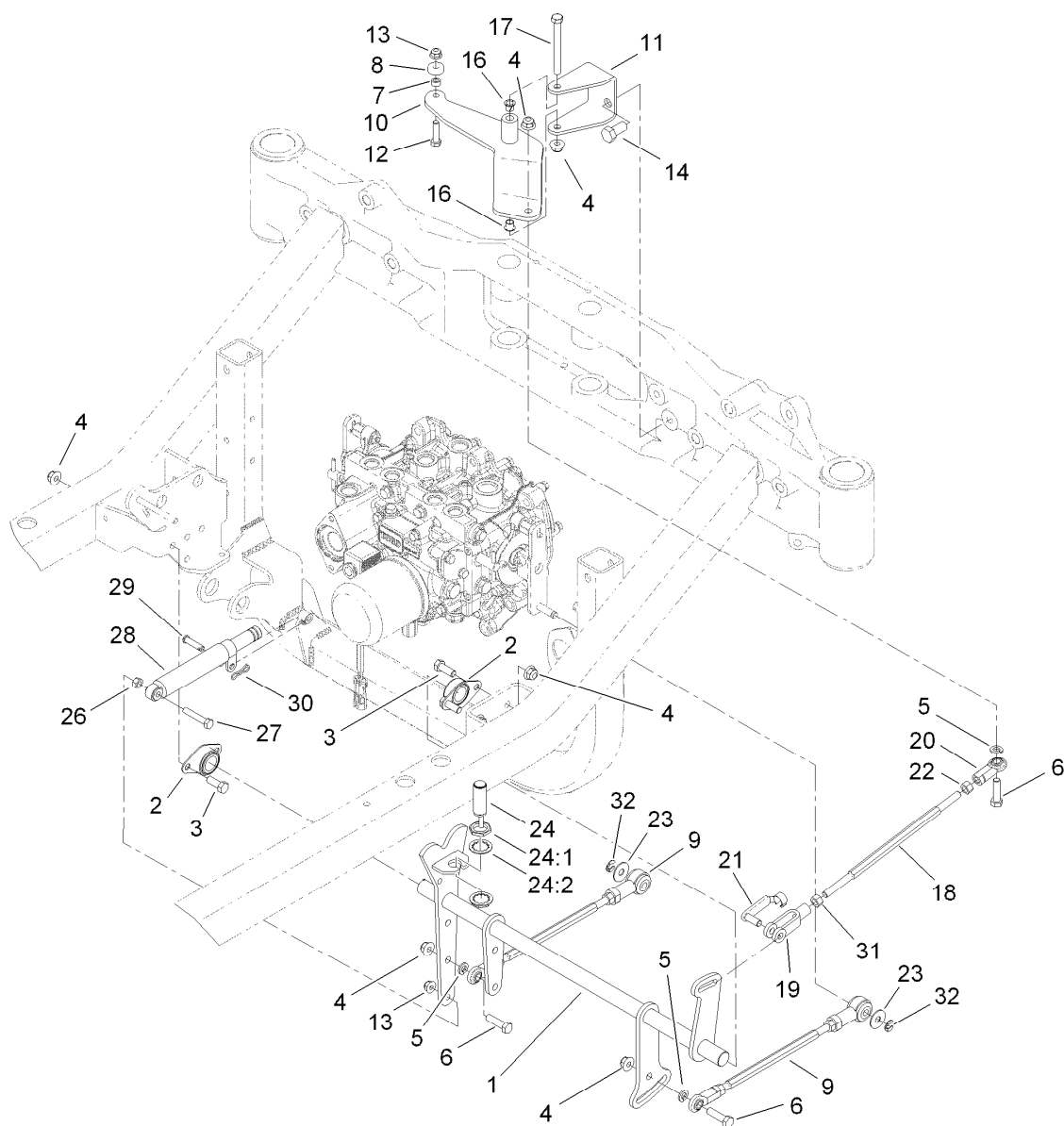
Hydraulic Motor Assembly No. 117-3285 (CW)

| <i>Ref.</i> | <i>Part Number</i> | <i>Qty.</i> | <i>Description</i> |
|-------------|--------------------|-------------|--------------------|
| 1 | 107-9368 | 1 | Seal Kit |
| 2 | 117-3290 | 1 | Nut-Hex |
| 3 | 117-5198 | 1 | Key-Square |



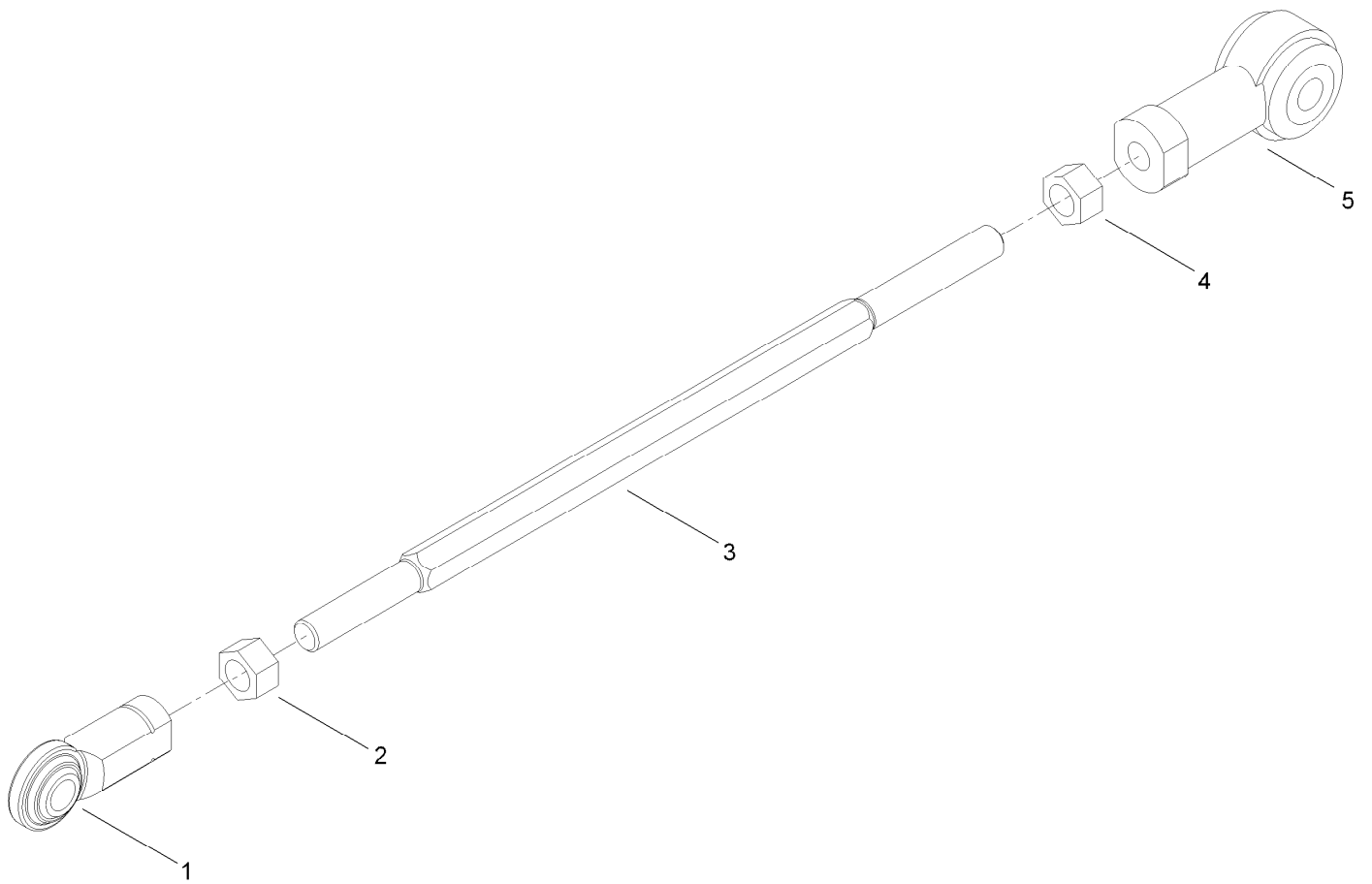
Neutral and Traction Pedal Assembly

| <i>Ref.</i> | <i>Part Number</i> | <i>Qty.</i> | <i>Description</i> | <i>Ref.</i> | <i>Part Number</i> | <i>Qty.</i> | <i>Description</i> |
|-------------|--------------------|-------------|--------------------|-------------|--------------------|-------------|-----------------------|
| 1 | 117-3070-01 | 1 | Pedal | 12 | 85-9120 | 2 | Spacer-Pivot, Tilt |
| 2 | 117-3073 | 1 | Pivot-Pedal | 13 | 251-307 | 2 | Bearing-Ball |
| 3 | 323-6 | 6 | Screw-HH | 14 | 3-6498 | 2 | Washer-Thrust |
| 4 | 104-8301 | 10 | Nut-Flange, NI | 15 | 3274-86 | 1 | Screw-HSH |
| 5 | 115-0072-03 | 1 | Rod-Traction | 16 | 66-2920 | 2 | Washer-Friction |
| 6 | 3253-21 | 2 | Washer-Lock | 17 | 256-236 | 2 | Bearing-Mount, Flange |
| 7 | 2411-36 | 2 | Bearing-End, Rod | 18 | 323-9 | 1 | Screw-HH |
| 8 | 323-29 | 2 | Screw-HH | 19 | 117-3298 | 1 | Lever-Mow Stop |
| 9 | 3220-3 | 2 | Nut-HJ | 20 | 116506 | 1 | Spring-Extension |
| 10 | 115-0148 | 1 | Arm ASM | 21 | 104-8300 | 1 | Nut-Flange, NI |
| 10:2 | 256-113 | 2 | Bushing-Flange | 22 | 94-3308 | 1 | Pad-Pedal, Traction |
| 10:3 | 302-5 | 1 | Fitting-Grease | 23 | 94-3307 | 1 | Pad-Pedal, Traction |
| 11 | 117-9046 | 1 | Stud-Eccentric | | | | |



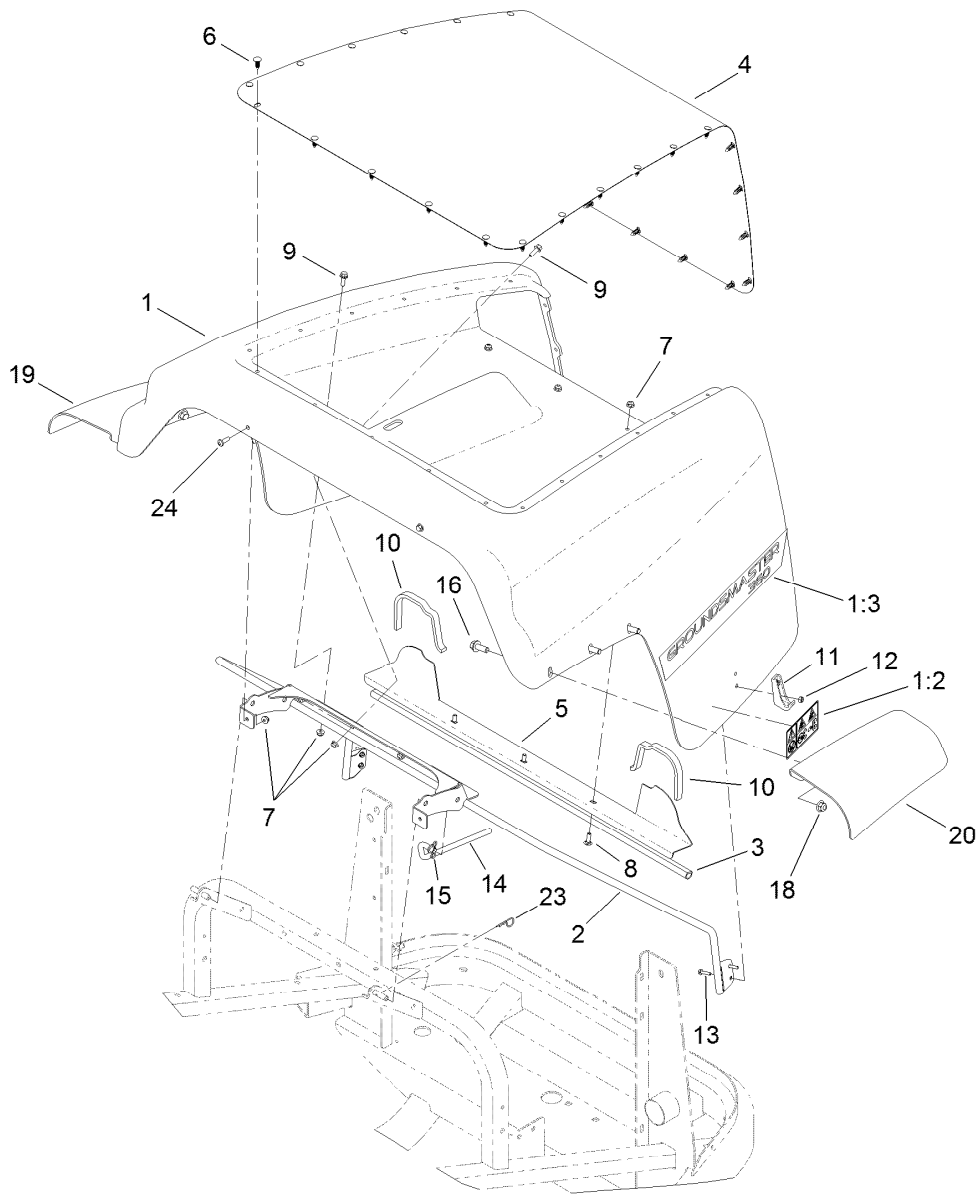
Traction Pump Linkage Assembly

| Ref. | Part Number | Qty. | Description | Ref. | Part Number | Qty. | Description |
|------|-------------|------|------------------------|------|-------------|------|-----------------------------|
| 1 | 115-0080-03 | 1 | Shaft-Control, Speed | 18 | 105-7239 | 1 | Rod-Threaded |
| 2 | 117-3255 | 2 | Bearing-Side Flange | 19 | 1-633131 | 1 | Yoke-Linkage, Brake |
| 3 | 323-6 | 4 | Screw-HH | 20 | 103-1167 | 1 | Joint-Ball End, LH |
| 4 | 104-8301 | 8 | Nut-Flange, NI | 21 | 103-2399 | 1 | Pin-Spring, Clevis |
| 5 | 3253-21 | 3 | Washer-Lock | 22 | 3219-20 | 1 | Nut-Hex, LH |
| 6 | 323-29 | 3 | Screw-HH | 23 | 52-2860 | 2 | Washer |
| 7 | 85-9120 | 1 | Spacer-Pivot, Tilt | 24 | 115-5300 | 1 | Proximity Switch ASM |
| 8 | 251-307 | 1 | Bearing-Ball | 24:1 | 117-3207 | 2 | Nut-Hex |
| 9 | 112-5099 | 2 | Link ASM | 24:2 | 117-3208 | 2 | Washer-Lock, Internal Tooth |
| 10 | 115-0084-03 | 1 | Arm | 26 | 3217-6 | 1 | Nut-Hex |
| 11 | 119-1351-03 | 1 | Channel-Pivot | 27 | 322-9 | 1 | Screw-HH |
| 12 | 322-6 | 1 | Screw-HH | 28 | 76-8870 | 1 | Damper-Lever |
| 13 | 104-8300 | 2 | Nut-Flange, NI | 29 | 283-6 | 1 | Pin-Clevis |
| 14 | 325-4 | 2 | Screw-HH | 30 | 119-1415 | 1 | Pin-Cotter, Locking |
| 16 | 52-2891 | 2 | Bushing-Flanged, Nylon | 31 | 3219-3 | 1 | Nut-Hex |
| 17 | 323-15 | 1 | Screw-HH | 32 | 32151-47 | 2 | Ring-Retaining |



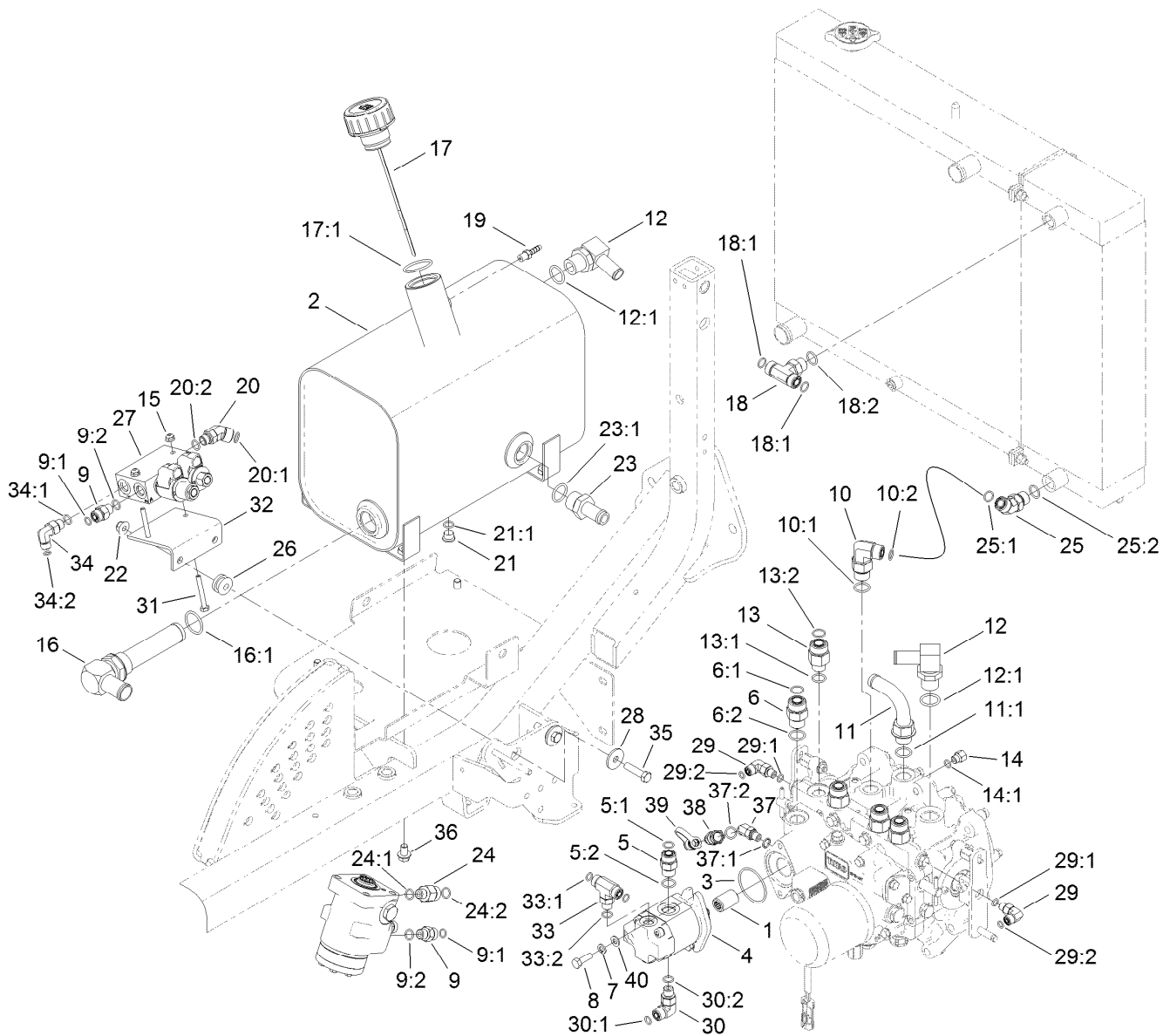
Link Assembly No. 112-5099

| <i>Ref.</i> | <i>Part Number</i> | <i>Qty.</i> | <i>Description</i> |
|-------------|--------------------|-------------|--------------------|
| 1 | 103-1167 | 1 | Joint-Ball End, LH |
| 2 | 3219-20 | 1 | Nut-Hex, LH |
| 3 | 105-7239 | 1 | Rod-Threaded |
| 4 | 3219-3 | 1 | Nut-Hex |
| 5 | 105-7199 | 1 | Rod End-Isolated |



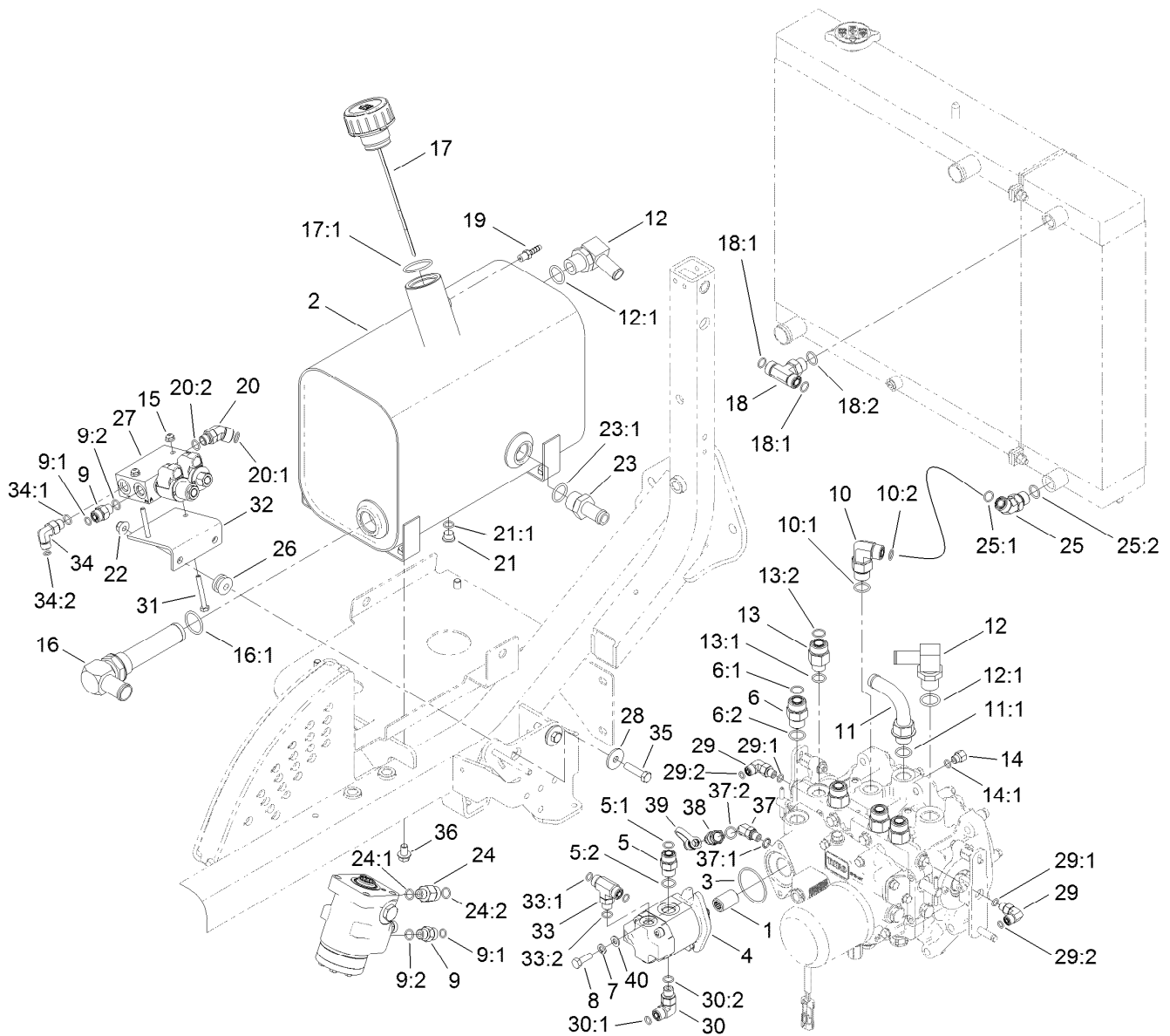
Hood Assembly

| <i>Ref.</i> | <i>Part Number</i> | <i>Qty.</i> | <i>Description</i> | <i>Ref.</i> | <i>Part Number</i> | <i>Qty.</i> | <i>Description</i> |
|-------------|--------------------|-------------|--------------------|-------------|--------------------|-------------|---------------------|
| 1 | 120-0266 | 1 | Hood ASM | 11 | 103-2897 | 2 | Latch-Catch |
| 1:2 | 117-3270 | 2 | Decal-Danger | 12 | 3296-2 | 4 | Nut-Lock, NI |
| 1:3 | 117-3279 | 2 | Decal-Hood | 13 | 32105-13 | 4 | Screw-HWH |
| 2 | 115-0364-03 | 1 | Mount-Hood | 14 | 117-3171 | 1 | Rod-Prop |
| 3 | 115-0423 | 1 | Seal-Bulb | 15 | 119-1415 | 1 | Pin-Cotter, Locking |
| 4 | 115-0370-03 | 1 | Screen | 16 | 3234-42 | 6 | Screw-HHF |
| 5 | 115-0422-03 | 1 | Seal-Hood | 18 | 104-8301 | 6 | Nut-Flange, NI |
| 6 | 117-2382 | 29 | Plug-Plastic | 19 | 117-3369 | 1 | Fender-Rear, RH |
| 7 | 104-7201 | 11 | Nut-HF | 20 | 117-3368 | 1 | Fender-Rear, LH |
| 8 | 3229-1 | 3 | Bolt-CARR | 23 | 9335054 | 1 | Pin-Hair |
| 9 | 3234-4 | 6 | Screw-HHF | 24 | 3250-32 | 2 | Screw-PPH |
| 10 | 110-8288 | 2 | Seal-Foam | | | | |



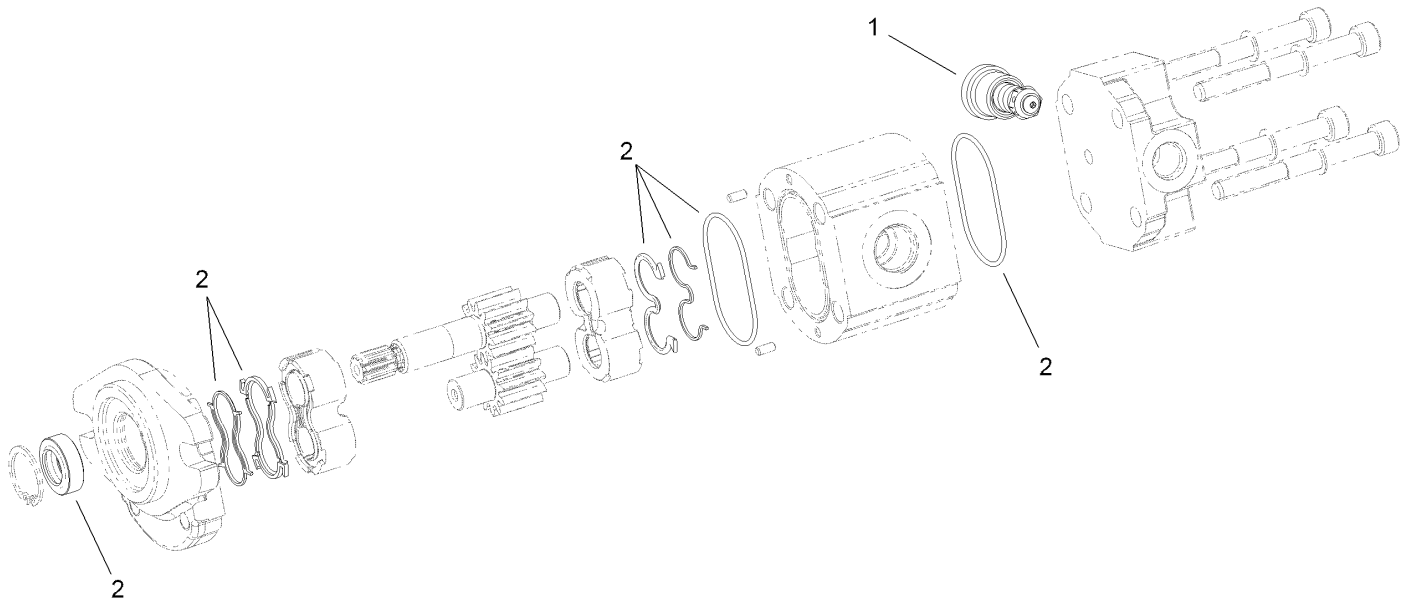
Deck Lift Valve and Hydraulic Fitting Assembly

| Ref. | Part Number | Qty. | Description | Ref. | Part Number | Qty. | Description |
|------|-------------|------|-----------------------|------|-------------|------|------------------------------|
| 1 | 108-9920 | 1 | Coupler-Spline | 12 | 353-987 | 2 | Fitting-HYD, 90 DEG (Barbed) |
| 2 | 117-3372 | 1 | Tank-Hydraulic, Metal | 12:1 | 237-81 | 1 | O-Ring |
| 3 | 108-9919 | 1 | O-Ring | 13 | 340-155 | 4 | Fitting-HYD, Straight |
| 4 | 115-0375 | 1 | Gear Pump ASM | 13:1 | 237-79 | 1 | O-Ring |
| 5 | 340-4 | 1 | Fitting-HYD, Straight | 13:2 | 237-151 | 1 | O-Ring |
| 5:1 | 237-30 | 1 | O-Ring | 14 | 110-5536 | 1 | Fitting-HYD, Adapter |
| 5:2 | 237-79 | 1 | O-Ring | 14:1 | 237-78 | 1 | O-Ring |
| 6 | 340-7 | 1 | Adapter | 15 | 104-7201 | 2 | Nut-HF |
| 6:1 | 237-65 | 1 | O-Ring | 16 | 105-0204 | 1 | Strainer Fitting ASM |
| 6:2 | 237-80 | 1 | O-Ring | 16:1 | 237-146 | 1 | O-Ring |
| 7 | 3253-4 | 2 | Washer-Lock | 17 | 117-3389 | 1 | Cap-Tank, Hydraulic |
| 8 | 33114-025 | 2 | Screw-HH | 17:1 | 237-101 | 1 | O-Ring |
| 9 | 340-2 | 5 | Fitting-HYD, Straight | 18 | 340-157 | 1 | Fitting-HYD, Tee |
| 9:1 | 237-22 | 1 | O-Ring | 18:1 | 237-79 | 1 | O-Ring |
| 9:2 | 237-42 | 1 | O-Ring | 18:2 | 237-30 | 2 | O-Ring |
| 10 | 340-105 | 1 | Fitting-HYD, 90 DEG | 19 | 94-7220 | 1 | Fitting-Barb, Hose |
| 10:1 | 237-80 | 1 | O-Ring | 20 | 340-96 | 1 | Adapter |
| 10:2 | 237-30 | 1 | O-Ring | 20:1 | 237-30 | 1 | O-Ring |
| 11 | 110-5522 | 1 | Fitting-Elbow, 90 | 20:2 | 237-42 | 1 | O-Ring |
| 11:1 | 237-80 | 1 | O-Ring | 21 | 353-989 | 1 | Plug-Hex, Hollow |



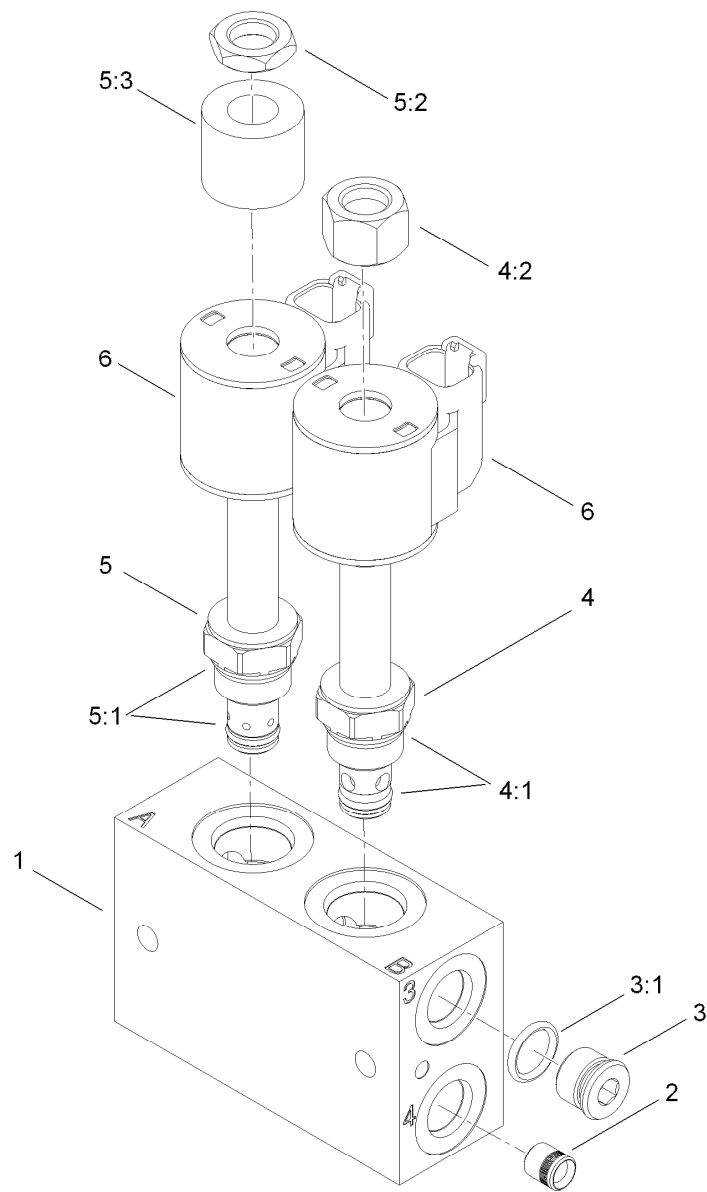
Deck Lift Valve and Hydraulic Fitting Assembly (continued)

| Ref. | Part Number | Qty. | Description | Ref. | Part Number | Qty. | Description |
|------|-------------|------|---------------------|------|-------------|------|---------------------|
| 21:1 | 237-42 | 1 | O-Ring | 30:2 | 237-42 | 1 | O-Ring |
| 22 | 104-8301 | 2 | Nut-Flange, NI | 31 | 321-11 | 2 | Screw-HH |
| 23 | 354-73 | 1 | Fitting-Straight | 32 | 115-0355-03 | 1 | Plate-Mount, Valve |
| 23:1 | 237-81 | 1 | O-Ring | 33 | 340-94 | 1 | Adapter |
| 24 | 340-5 | 1 | Fitting-Straight | 33:1 | 237-22 | 2 | O-Ring |
| 24:1 | 237-42 | 1 | O-Ring | 33:2 | 237-42 | 1 | O-Ring |
| 24:2 | 237-30 | 1 | O-Ring | 34 | 340-82 | 1 | Adapter |
| 25 | 340-101 | 1 | Fitting-HYD, 45 DEG | 34:1 | 237-42 | 1 | O-Ring |
| 25:1 | 237-30 | 1 | O-Ring | 34:2 | 237-21 | 1 | O-Ring |
| 25:2 | 237-79 | 1 | O-Ring | 35 | 323-8 | 2 | Screw-HH |
| 26 | 63-9750 | 2 | Mount | 36 | 32144-15 | 4 | Screw-HHFTF |
| 27 | 115-0356 | 1 | Deck Lift Valve ASM | 37 | 340-103 | 1 | Fitting-HYD, 45 DEG |
| 28 | 63-8410 | 2 | Washer | 37:1 | 237-78 | 1 | O-Ring |
| 29 | 340-132 | 2 | Fitting-HYD, 90 DEG | 37:2 | 237-21 | 1 | O-Ring |
| 29:1 | 237-78 | 1 | O-Ring | 38 | 115-8886 | 1 | Nipple-Test |
| 29:2 | 237-21 | 1 | O-Ring | 39 | 354-79 | 1 | Cap-Dust |
| 30 | 340-77 | 1 | Fitting-HYD, 90 DEG | 40 | 3256-23 | 2 | Washer-Flat |
| 30:1 | 237-22 | 1 | O-Ring | | | | |



Hydraulic Gear Pump Assembly No. 115-0375

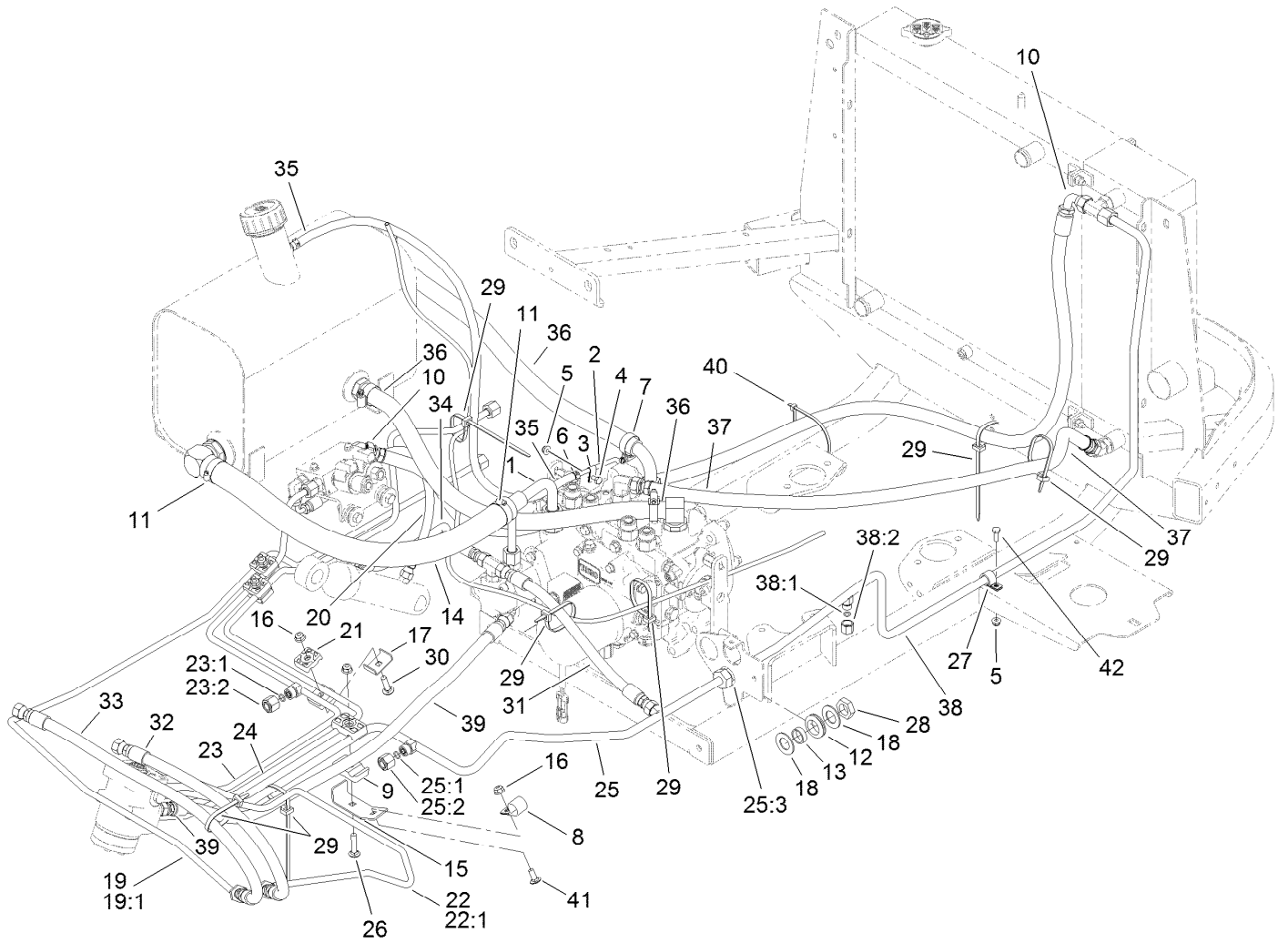
| <i>Ref.</i> | <i>Part Number</i> | <i>Qty.</i> | <i>Description</i> |
|-------------|--------------------|-------------|-----------------------|
| 1 | 115-0376 | 1 | Valve-Relief, 125 Bar |
| 2 | 112-0199 | 1 | Seal Kit |



Deck Lift Valve Assembly No. 115-0356

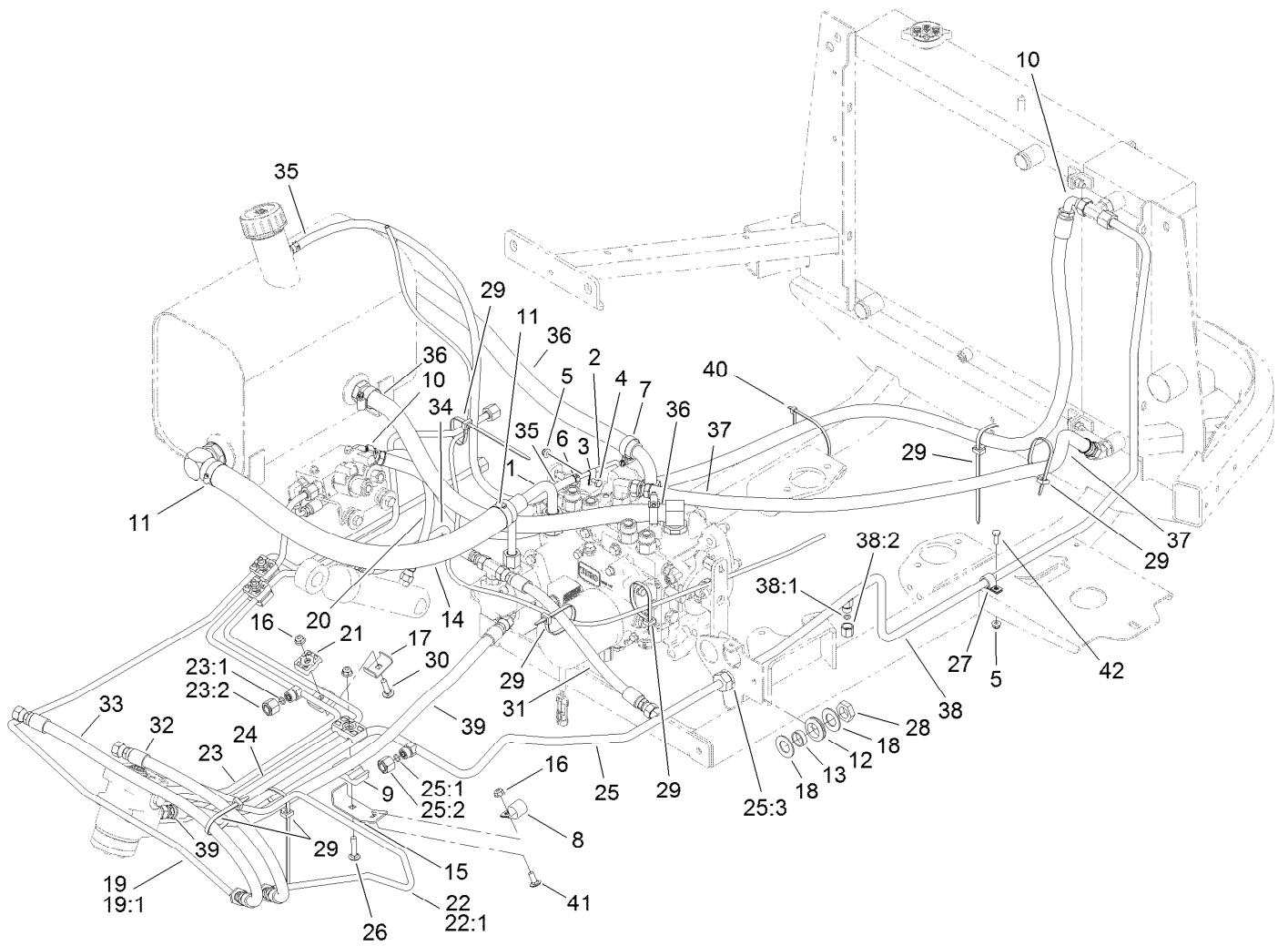
| Ref. | Part Number | Qty. | Description |
|------|-------------|------|------------------|
| 1 | | 1 | Block-Manifold ● |
| 2 | | 1 | Plug ● |
| 3 | 353-512 | 1 | Plug |
| 3:1 | 237-78 | 1 | O-Ring |
| 4 | 107-7517 | 1 | Valve-Solenoid |
| 4:1 | 105-9156 | 1 | Seal Kit |
| 4:2 | 107-7812 | 1 | Nut-Solenoid |
| 5 | 110-8898 | 1 | Valve-Solenoid |
| 5:1 | 107-7527 | 1 | Seal Kit |
| 5:2 | 110-2634 | 1 | Nut-Coil |
| 5:3 | 110-8909 | 1 | Spacer-Coil |
| 6 | 119-8036 | 1 | E Coil-12 Vdc |

● Not serviced separately



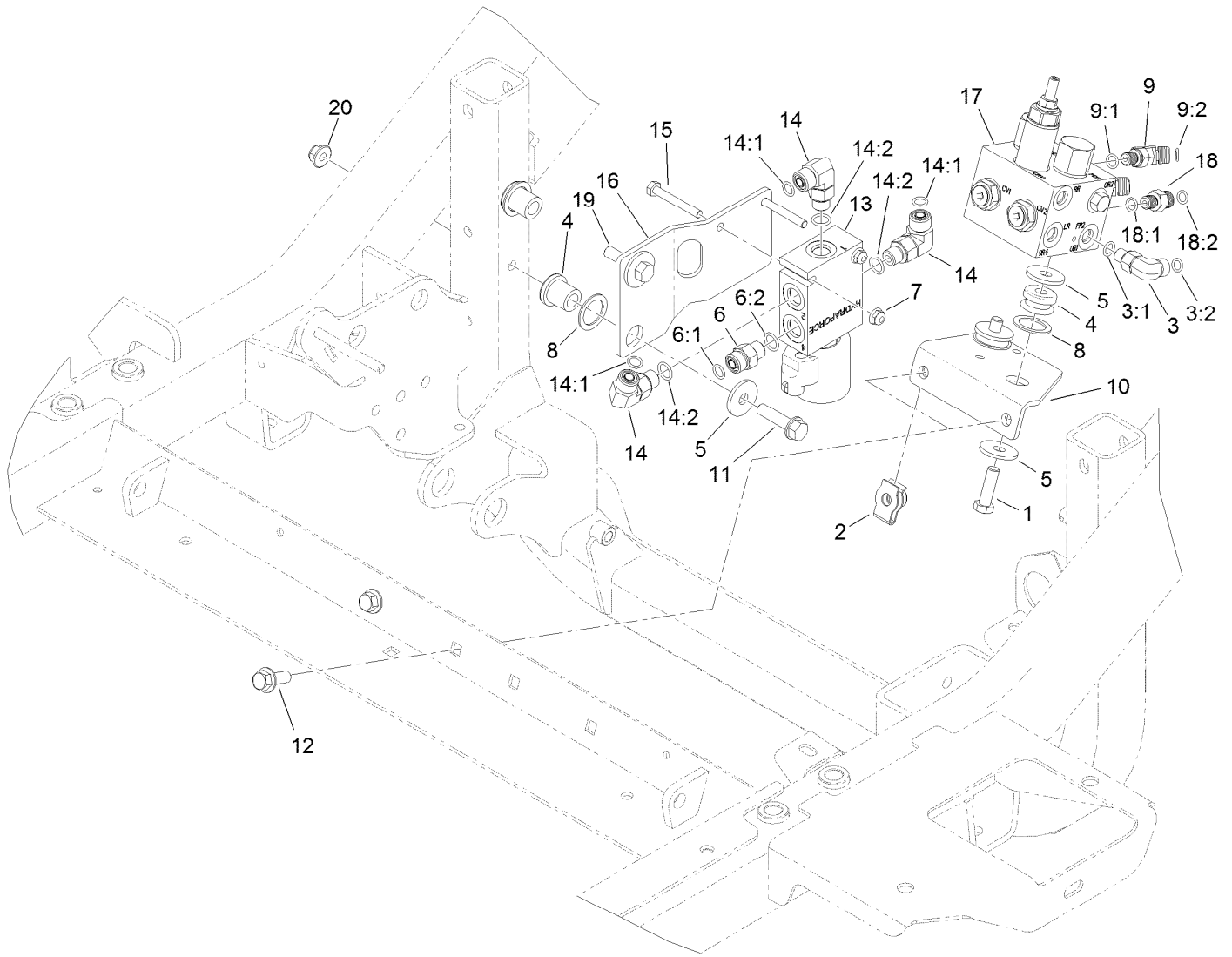
Hydraulic Tube and Hose Assembly

| Ref. | Part Number | Qty. | Description | Ref. | Part Number | Qty. | Description |
|------|-------------|------|---|------|-------------|------|-------------------------|
| 1 | 115-0184 | 1 | Suction Tube ASM | 20 | 112-9185 | 1 | Hose ASM |
| 2 | 110-5537 | 1 | Tube | 21 | 56-7973 | 6 | Clamp-Tube |
| 3 | 2412-72 | 1 | Clip-Closed, Insulated | 22 | 117-3110 | 1 | Front Steering Tube ASM |
| 4 | 321-4 | 1 | Screw-HH | 22:1 | 237-22 | 1 | O-Ring |
| 5 | 104-7201 | 2 | Nut-HF | 23 | 117-3111 | 1 | Steering Lift Tube ASM |
| 6 | 2412-98 | 2 | Clamp-Hose | 23:1 | 237-22 | 1 | O-Ring |
| 7 | 2412-129 | 4 | Clamp-Hose | 23:2 | 340-117 | 1 | Cap |
| 8 | 2412-4 | 1 | Clamp | 24 | 117-3112 | 1 | Tube-Steering, Manifold |
| 9 | 56-7972 | 2 | Clamp-Tube | 25 | 117-3113 | 1 | Steering Drain Tube ASM |
| 10 | 117-3129 | 1 | Hose ASM | 25:1 | 237-22 | 2 | O-Ring |
| 11 | 2412-34 | 2 | Clamp-Hose | 25:2 | 340-117 | 1 | Cap |
| 12 | 240-5 | 1 | Grommet | 25:3 | 237-30 | 1 | O-Ring |
| 13 | 69-8960 | 1 | Spacer | 26 | 3230-4 | 1 | Screw-CARR |
| 14 | 117-3200 | 1 | Hose-Suction | 27 | 2412-87 | 1 | Clamp-Cable |
| 15 | 120-0245 | 1 | Bracket-Support | 28 | 340-127 | 1 | Nut-Bulkhead |
| 16 | 104-8300 | 5 | Nut-Flange, NI | 29 | 3290-378 | 5 | Tie-Cable |
| 17 | 119-1418 | 3 | Plate-Clamp | 30 | 3230-3 | 3 | Screw-CARR |
| 18 | 69-8930 | 2 | Washer | 31 | 117-3122 | 1 | Hose ASM |
| 19 | 117-3117 | 1 | Front Cylinder Steer Manifold Tube ASM | 32 | 119-1433 | 1 | Hose ASM |
| 19:1 | 237-22 | 1 | O-Ring | 33 | 100-5629 | 1 | Hose ASM |
| | | | | 34 | 117-3123 | 1 | Hose-HYD |



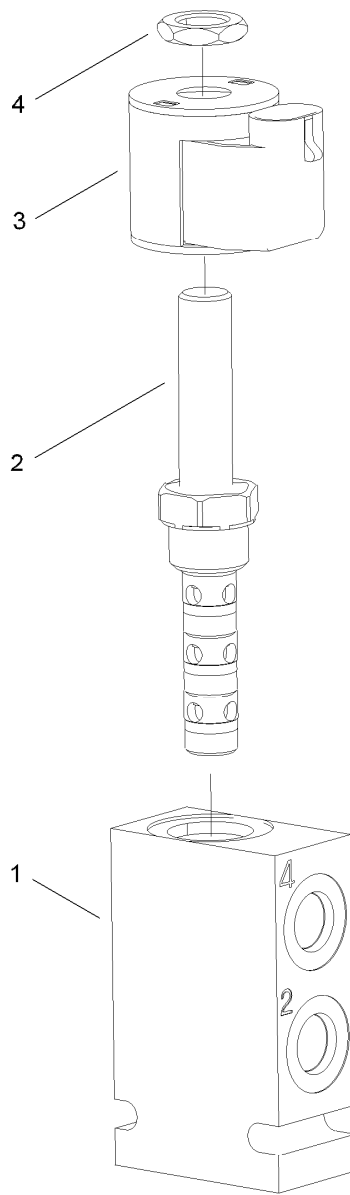
Hydraulic Tube and Hose Assembly (continued)

| <i>Ref.</i> | <i>Part Number</i> | <i>Qty.</i> | <i>Description</i> | <i>Ref.</i> | <i>Part Number</i> | <i>Qty.</i> | <i>Description</i> |
|-------------|--------------------|-------------|--------------------|-------------|--------------------|-------------|--------------------|
| 35 | 109-0275 | 1 | Hose-Fuel | 38:2 | 117-3297 | 1 | Fitting-Cap |
| 36 | 117-3121 | 2 | Hose ASM | 39 | 119-8114 | 1 | HYD Hose ASM |
| 37 | 117-3128 | 1 | Hose ASM | 40 | 3290-379 | 2 | Tie-Cable |
| 38 | 117-3114 | 1 | Tube-Drain, Cooler | 41 | 3230-23 | 1 | Screw-CARR |
| 38:1 | 237-21 | 1 | O-Ring | 42 | 321-5 | 1 | Screw-HH |



Hydraulic Valve Assembly

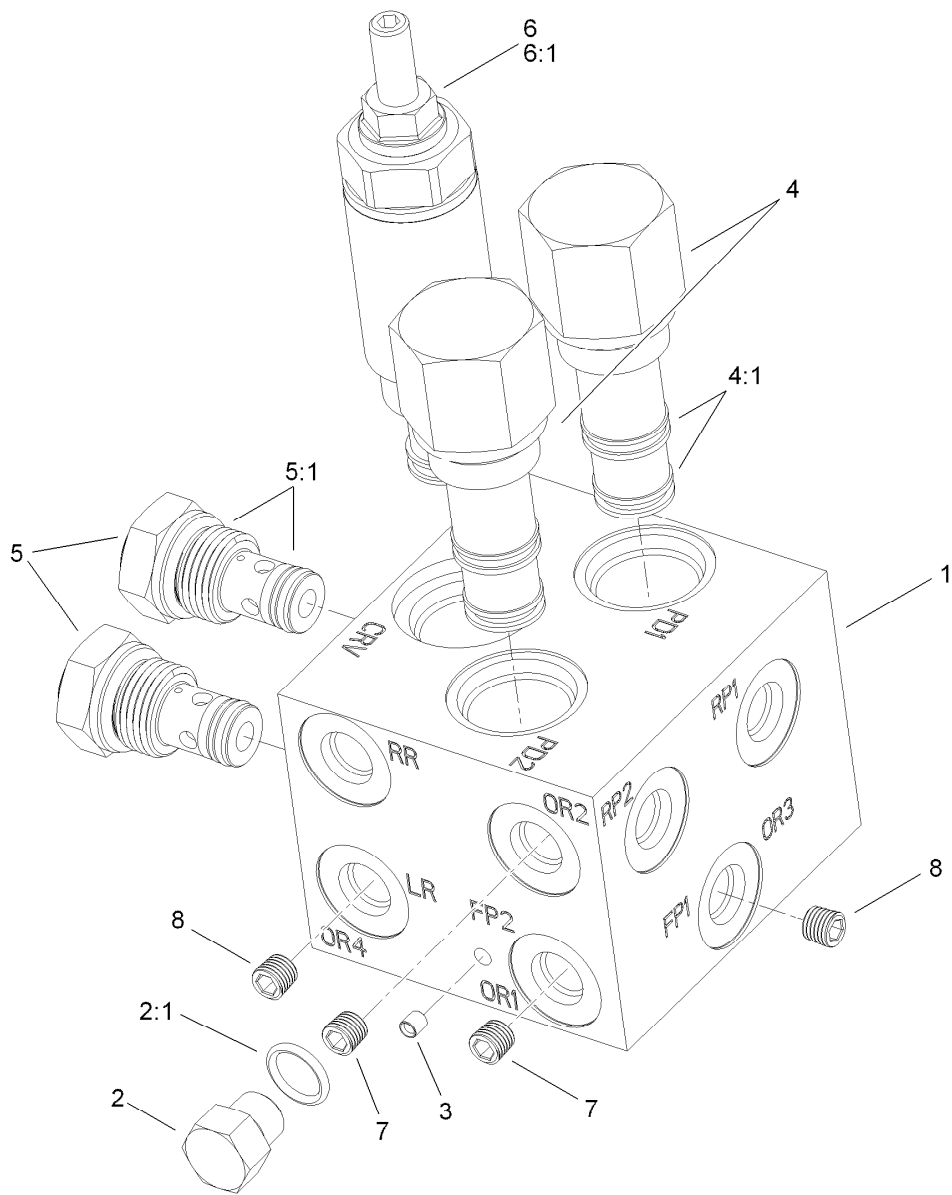
| Ref. | Part Number | Qty. | Description | Ref. | Part Number | Qty. | Description |
|------|-------------|------|-----------------------|------|-------------|------|-------------------------------|
| 1 | 323-7 | 2 | Screw-HH | 11 | 323-20 | 1 | Screw-HH |
| 2 | 105-4886 | 2 | Nut-Tinnerman | 12 | 3234-42 | 2 | Screw-HHF |
| 3 | 340-132 | 1 | Fitting-HYD, 90 DEG | 13 | 115-0280 | 1 | Steer Selector Valve ASM |
| 3:1 | 237-78 | 1 | O-Ring | 14 | 340-77 | 3 | Fitting-HYD, 90 DEG |
| 3:2 | 237-21 | 1 | O-Ring | 14:1 | 237-22 | 1 | O-Ring |
| 4 | 63-9750 | 4 | Mount | 14:2 | 237-42 | 1 | O-Ring |
| 5 | 63-8410 | 6 | Washer | 15 | 321-11 | 2 | Screw-HH |
| 6 | 340-2 | 1 | Fitting-HYD, Straight | 16 | 115-0384-03 | 1 | Plate-Valve Mount |
| 6:1 | 237-22 | 1 | O-Ring | 17 | 117-2247 | 1 | Cross-Trax Traction Valve ASM |
| 6:2 | 237-42 | 1 | O-Ring | 18 | 340-92 | 1 | Fitting-HYD, Straight |
| 7 | 104-7201 | 2 | Nut-HF | 18:1 | 237-78 | 1 | O-Ring |
| 8 | 1-303352 | 4 | Washer-Spindle | 18:2 | 237-21 | 1 | O-Ring |
| 9 | 340-103 | 2 | Fitting-HYD, 45 DEG | 19 | 323-8 | 1 | Screw-HH |
| 9:1 | 237-78 | 1 | O-Ring | 20 | 104-8301 | 2 | Nut-Flange, NI |
| 9:2 | 237-21 | 1 | O-Ring | | | | |
| 10 | 119-1409-03 | 1 | Mount-Plate | | | | |



Steering Selector Valve Assembly No. 115-0280

| <i>Ref.</i> | <i>Part Number</i> | <i>Qty.</i> | <i>Description</i> |
|-------------|--------------------|-------------|--------------------|
| 1 | | 1 | Block-Manifold ● |
| 2 | 119-8042 | 1 | Valve-Solenoid |
| 3 | 110-6344 | 1 | Coil-12V, Dc |
| 4 | 110-2634 | 1 | Nut-Coil |

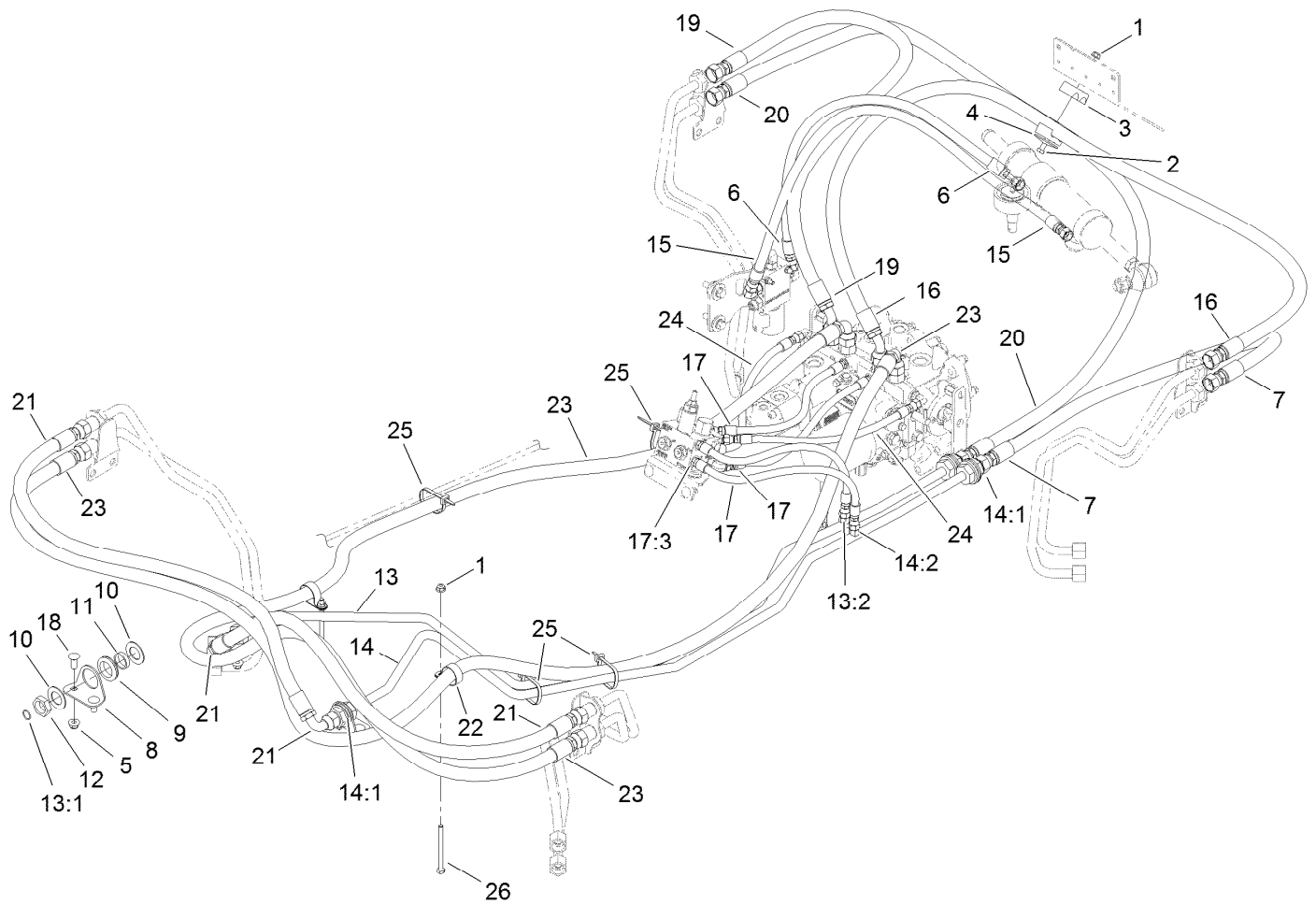
● Not serviced separately



Cross-Trax Traction Valve Assembly No. 117-2247

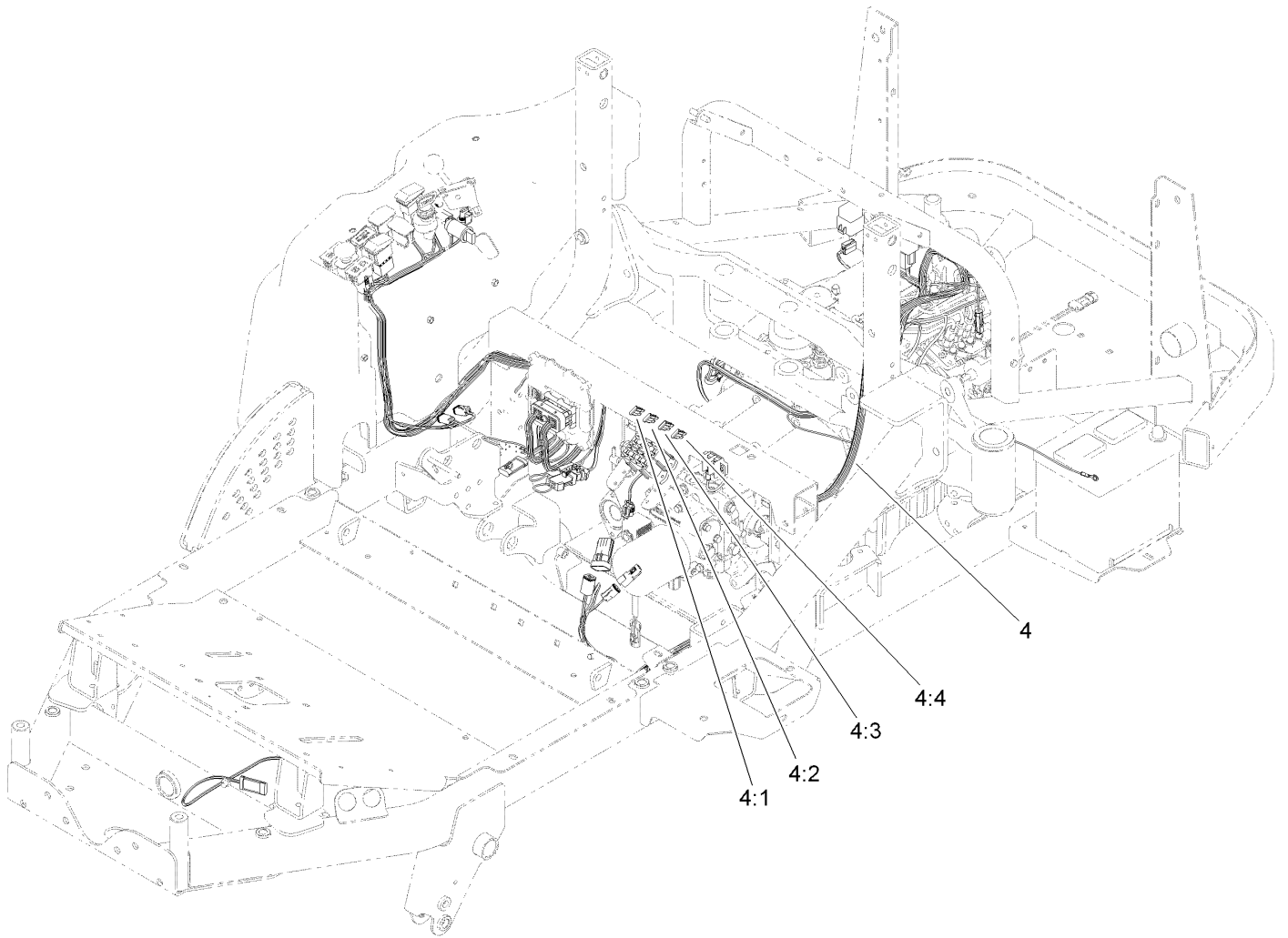
| Ref. | Part Number | Qty. | Description |
|------|-------------|------|--------------------------|
| 1 | | 1 | Block-Manifold ● |
| 2 | 117-0115 | 1 | Plug-HYD |
| 2:1 | 237-78 | 1 | O-Ring |
| 3 | | 1 | Plug-4Mm ● |
| 4 | 119-8028 | 2 | Valve-Pilot, Directional |
| 4:1 | 119-8029 | 1 | Pilot Valve Seal Kit |
| 5 | 119-8030 | 2 | Valve-Check |
| 5:1 | 119-8031 | 1 | Seal Kit-Check Valve |
| 6 | 119-8032 | 1 | Valve-Relief |
| 6:1 | 119-8033 | 1 | Relief Valve Seal Kit |
| 7 | 119-8034 | 2 | Orifice-.090 |
| 8 | 119-8035 | 2 | Orifice-.040 |

● Not serviced separately



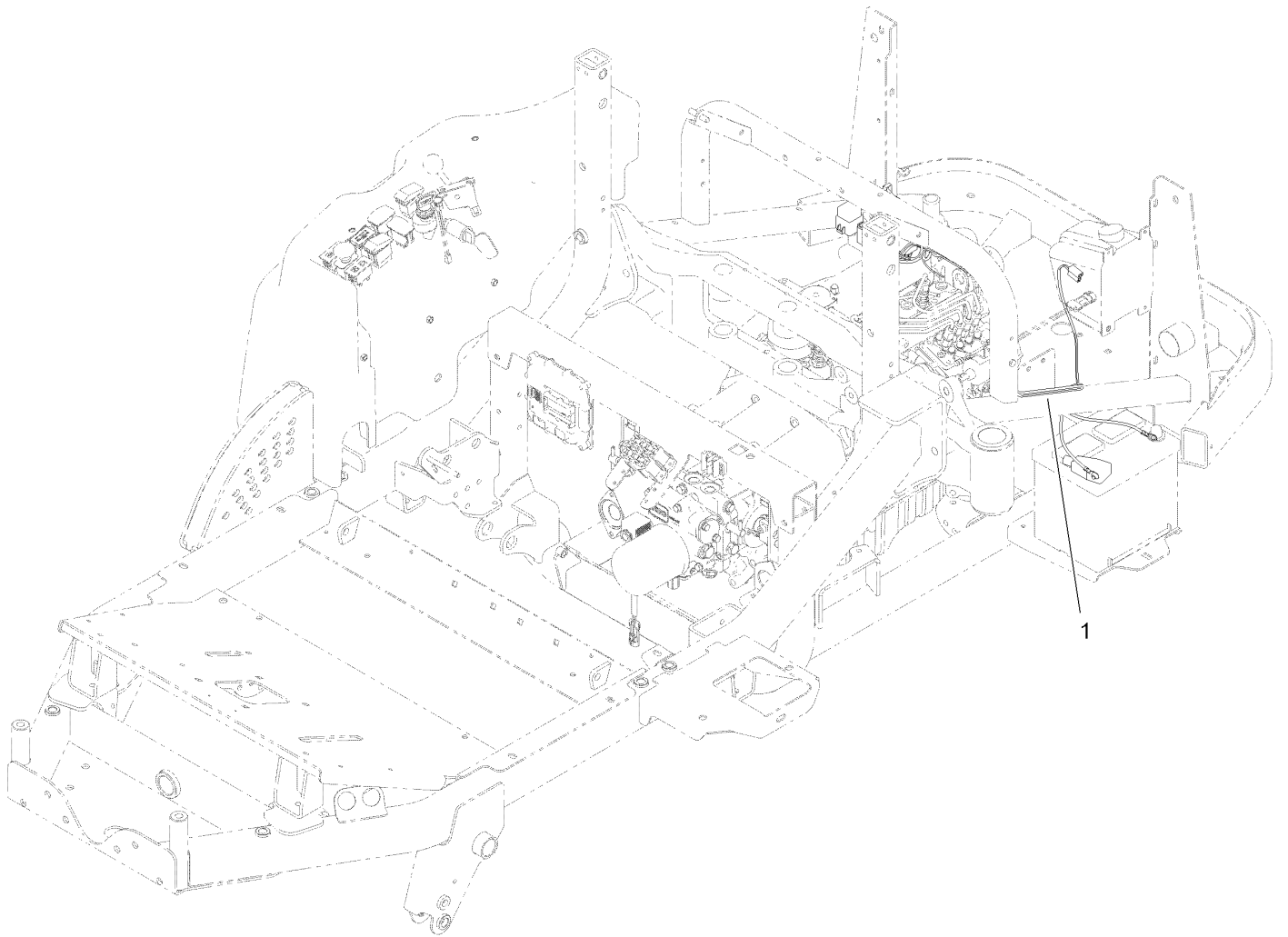
4 Wheel Drive Hydraulic Hose Assembly

| Ref. | Part Number | Qty. | Description | Ref. | Part Number | Qty. | Description |
|------|-------------|------|-------------------------|------|-------------|------|-------------|
| 1 | 104-8300 | 3 | Nut-Flange, NI | 14:1 | 237-65 | 2 | O-Ring |
| 2 | 322-11 | 1 | Screw-HH | 14:2 | 237-21 | 1 | O-Ring |
| 3 | 56-7974 | 2 | Clamp-Tube | 15 | 119-1432 | 1 | Hose ASM |
| 4 | 69-9761 | 1 | Plate-Cover | 16 | 117-3249 | 1 | Hose ASM |
| 5 | 104-8301 | 4 | Nut-Flange, NI | 17 | 115-0377 | 4 | Hose ASM |
| 6 | 119-1431 | 1 | Hose ASM | 17:3 | 237-78 | 1 | O-Ring |
| 7 | 119-1435 | 1 | Hose ASM | 18 | 3231-22 | 4 | Screw-CARR |
| 8 | 115-0479 | 2 | Bracket-Bulkhead | 19 | 117-3130 | 1 | Hose ASM |
| 9 | 240-3 | 4 | Grommet-Rubber | 20 | 117-3248 | 1 | Hose ASM |
| 10 | 69-9010 | 8 | Washer | 21 | 117-3124 | 2 | Hose ASM |
| 11 | 69-9000 | 4 | Spacer | 22 | 2412-74 | 2 | R-Clamp |
| 12 | 340-74 | 4 | Nut-Lock, Bulkhead | 23 | 117-3126 | 2 | Hose ASM |
| 13 | 117-3115 | 1 | Tube ASM-Front Trax, RH | 24 | 117-3127 | 2 | Hose ASM |
| 13:1 | 237-65 | 2 | O-Ring | 25 | 3290-378 | 4 | Tie-Cable |
| 13:2 | 237-20 | 1 | O-Ring | 26 | 322-19 | 2 | Screw-HH |
| 14 | 117-3116 | 1 | Tube ASM-Front Trax, LH | | | | |



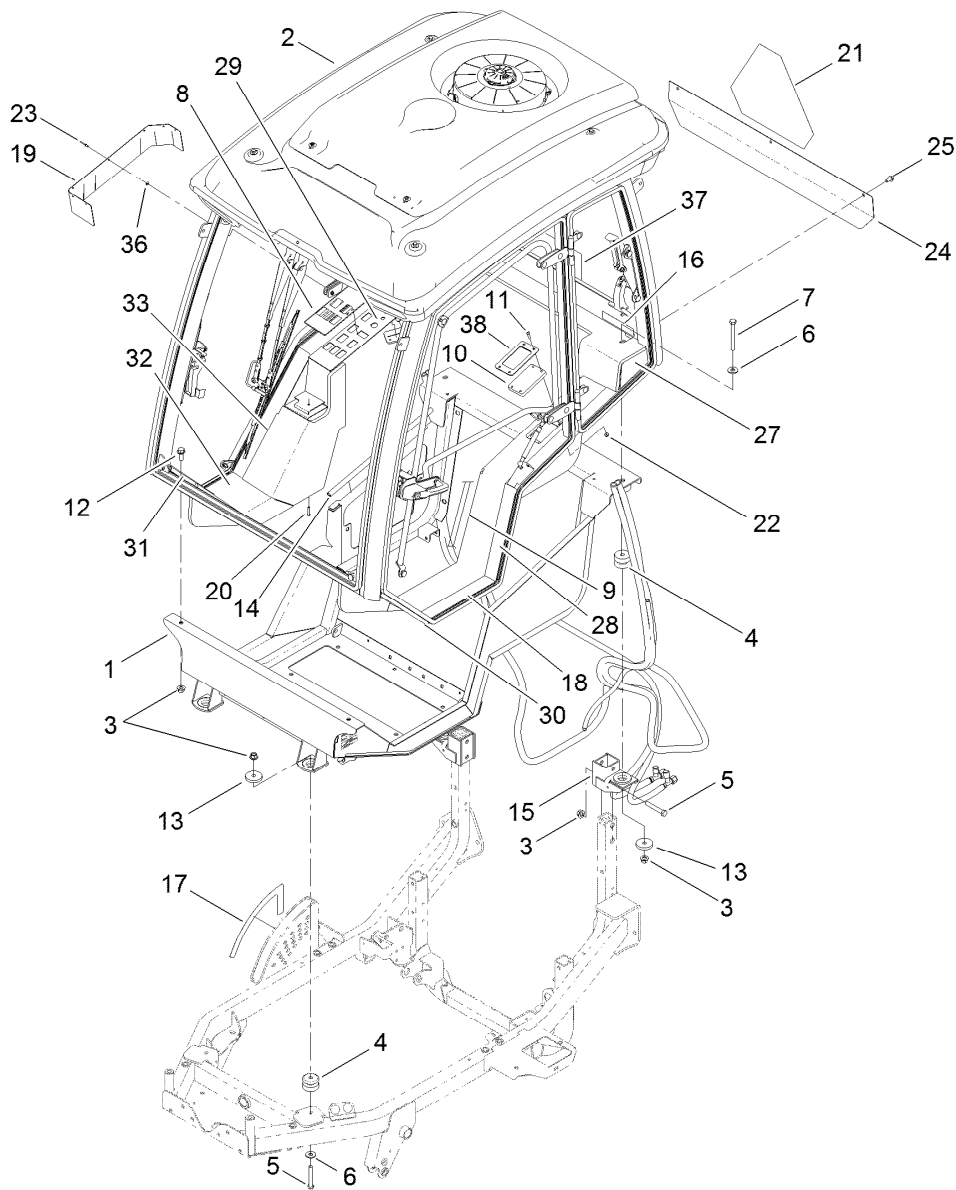
Electrical Assembly

| <i>Ref.</i> | <i>Part Number</i> | <i>Qty.</i> | <i>Description</i> |
|-------------|--------------------|-------------|---------------------|
| 4 | 119-5783 | 1 | Wire-Harness, Main |
| 4:1 | 94-6710 | 1 | Fuse-2 Amp |
| 4:2 | 114241 | 3 | Fuse-Blade, 7.5 Amp |
| 4:3 | 218-578 | 4 | Fuse-Blade, 10 Amp |
| 4:4 | 109101 | 1 | Fuse-Blade, 20 Amp |



Cab Wire Harness Assembly

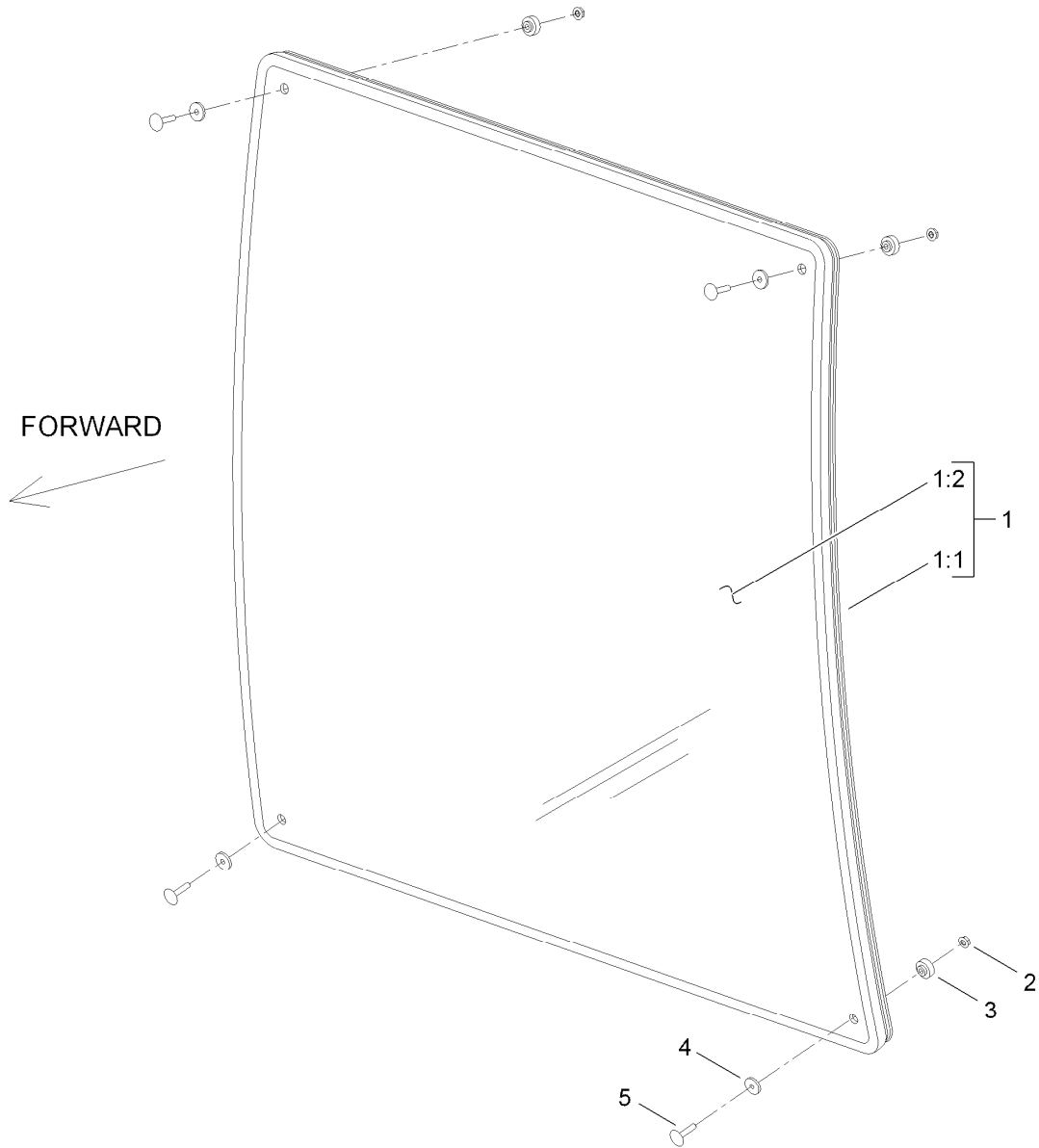
| <i>Ref.</i> | <i>Part Number</i> | <i>Qty.</i> | <i>Description</i> |
|-------------|--------------------|-------------|--------------------|
| 1 | 119-5767 | 1 | Harness-Wire, Cab |



Cab Platform Assembly

| <i>Ref.</i> | <i>Part Number</i> | <i>Qty.</i> | <i>Description</i> | <i>Ref.</i> | <i>Part Number</i> | <i>Qty.</i> | <i>Description</i> |
|-------------|--------------------|-------------|--------------------------|-------------|--------------------|-------------|----------------------------|
| 1 | 119-1399-03 | 1 | Platform-Cab | 19 | 119-9886 | 1 | Shield-Console |
| 2 | | 1 | Cab ASM ● | 20 | 321-13 | 1 | Screw-HH |
| 3 | 99-5107 | 10 | Nut-Lock | 21 | 120-0250 | 1 | Decal-Warning, Smv |
| 4 | 110-5954 | 4 | Mount-Center, Bonded | 22 | 107069 | 5 | Clip |
| 5 | 112-7264 | 6 | Screw-HH | 23 | 3269-23 | 7 | Rivet-Pop |
| 6 | 3256-6 | 4 | Washer-Flat | 24 | 119-9898-03 | 1 | Cover-Hose, Cab |
| 7 | 702093 | 2 | Screw-HH | 25 | 110-9380 | 3 | Screw-HWH |
| 8 | 119-9899 | 1 | Decal-Control Panel, Cab | 27 | 119-8088 | 1 | Foam-Interior |
| 9 | 120-6661 | 1 | Seal-Bulb | 28 | 119-8077 | 1 | Foam-Interior |
| 10 | 119-9878 | 1 | Window-Gauge, Fuel | 29 | 119-8087 | 1 | Foam |
| 11 | 3274-65 | 4 | Screw-HSBH | 30 | 119-8081 | 1 | Foam-Interior |
| 12 | 3234-38 | 2 | Screw-HHF | 31 | 119-8082 | 1 | Foam-Interior |
| 13 | 115-5519 | 4 | Washer-Plain | 32 | 119-8083 | 1 | Foam-Interior |
| 14 | 117-3197 | 1 | Seal-Bulb | 33 | 119-8084 | 1 | Foam-Interior |
| 15 | 117-3060-03 | 2 | Cab Mount ASM | 36 | 3269-26 | 7 | Washer-Plain |
| 16 | 119-0124 | 1 | Decal-Warning | 37 | 120-0259 | 1 | Decal-Service Instructions |
| 17 | 115-0493 | 1 | Decal-HOC, Cab | 38 | 120-0317-03 | 1 | Plate-Cover |
| 18 | 119-8085 | 1 | Mat-Floor, Step | | | | |

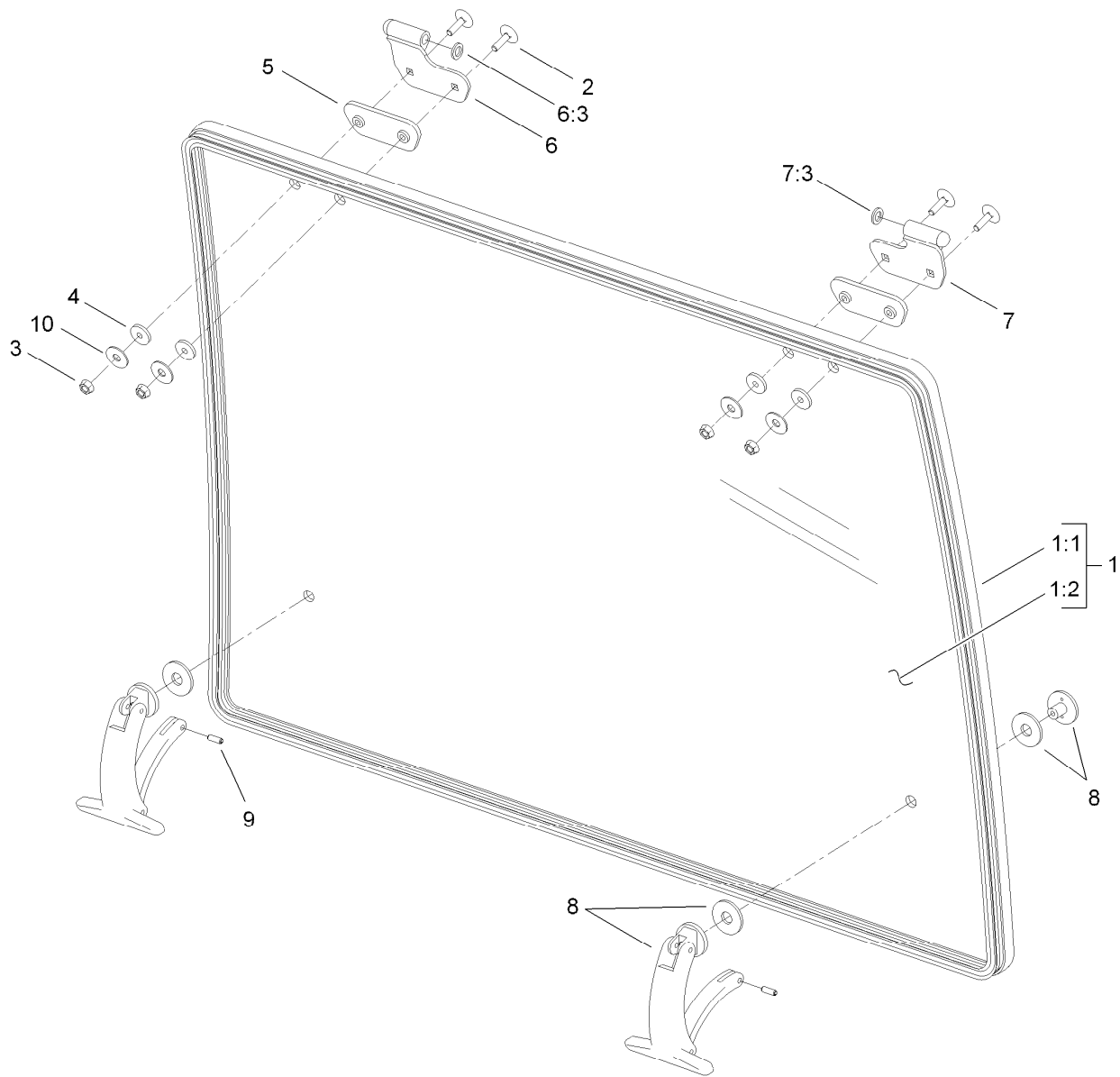
● Not serviced separately



Cab Windshield Assembly

| Ref. | Part Number | Qty. | Description |
|------|-------------|------|----------------------|
| 1 | 120-0300 | 1 | Windshield Glass Kit |
| 1:1 | 120-0306 | 1 | Bulb-Seal, Double |
| 1:2 | | 1 | Glass-Windshield ● |
| 2 | 115-5572 | 4 | Nut-Flange |
| 3 | 115-5574 | 4 | Bushing-Thick |
| 4 | 115-5570 | 4 | Bushing-Thin |
| 5 | 115-5571 | 4 | Bolt-Step |

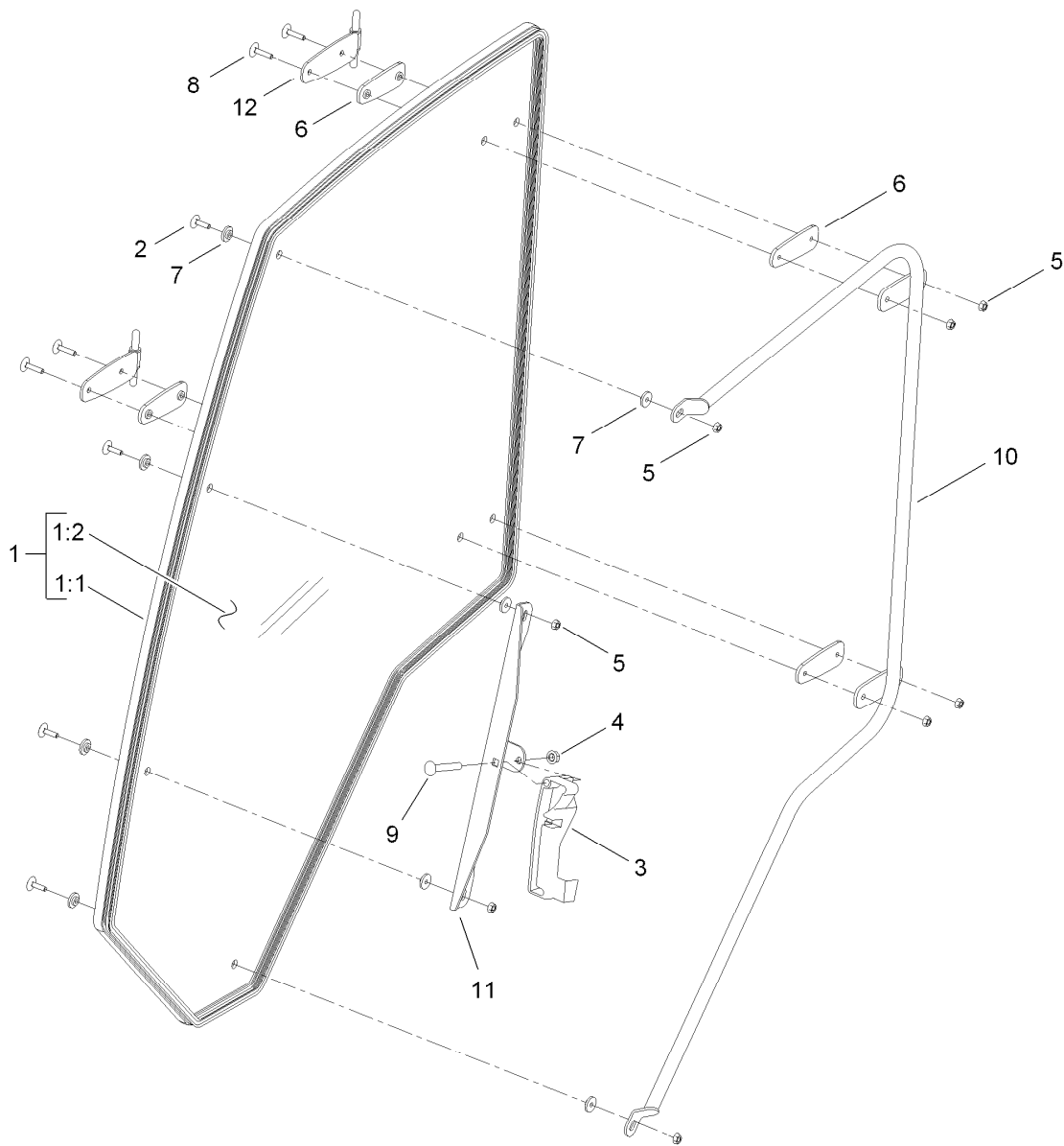
● Not serviced separately



Cab Rear Window Assembly

| Ref. | Part Number | Qty. | Description |
|------|-------------|------|------------------------------|
| 1 | 120-0301 | 1 | Rear Window Glass Kit |
| 1:1 | 120-0307 | 1 | Bulb-Seal, Double |
| 1:2 | | 1 | Glass-Window, Rear ● |
| 2 | 115-7685 | 4 | Bolt-Step |
| 3 | 115-5572 | 4 | Nut-Flange |
| 4 | 115-5570 | 4 | Bushing-Thin |
| 5 | 115-7687 | 2 | Mount-Glass, Bushing (Hinge) |
| 6 | 115-7688 | 1 | LH Hinge ASM |
| 6:3 | 115-7696 | 1 | Washer-Hinge, Brass |
| 7 | 115-7689 | 1 | RH Hinge ASM |
| 7:3 | 115-7696 | 1 | Washer-Hinge, Brass |
| 8 | 115-5597 | 2 | Handle-Latch |
| 9 | 115-5599 | 2 | Pin-Split |
| 10 | 115-5581 | 4 | Washer-Flat |

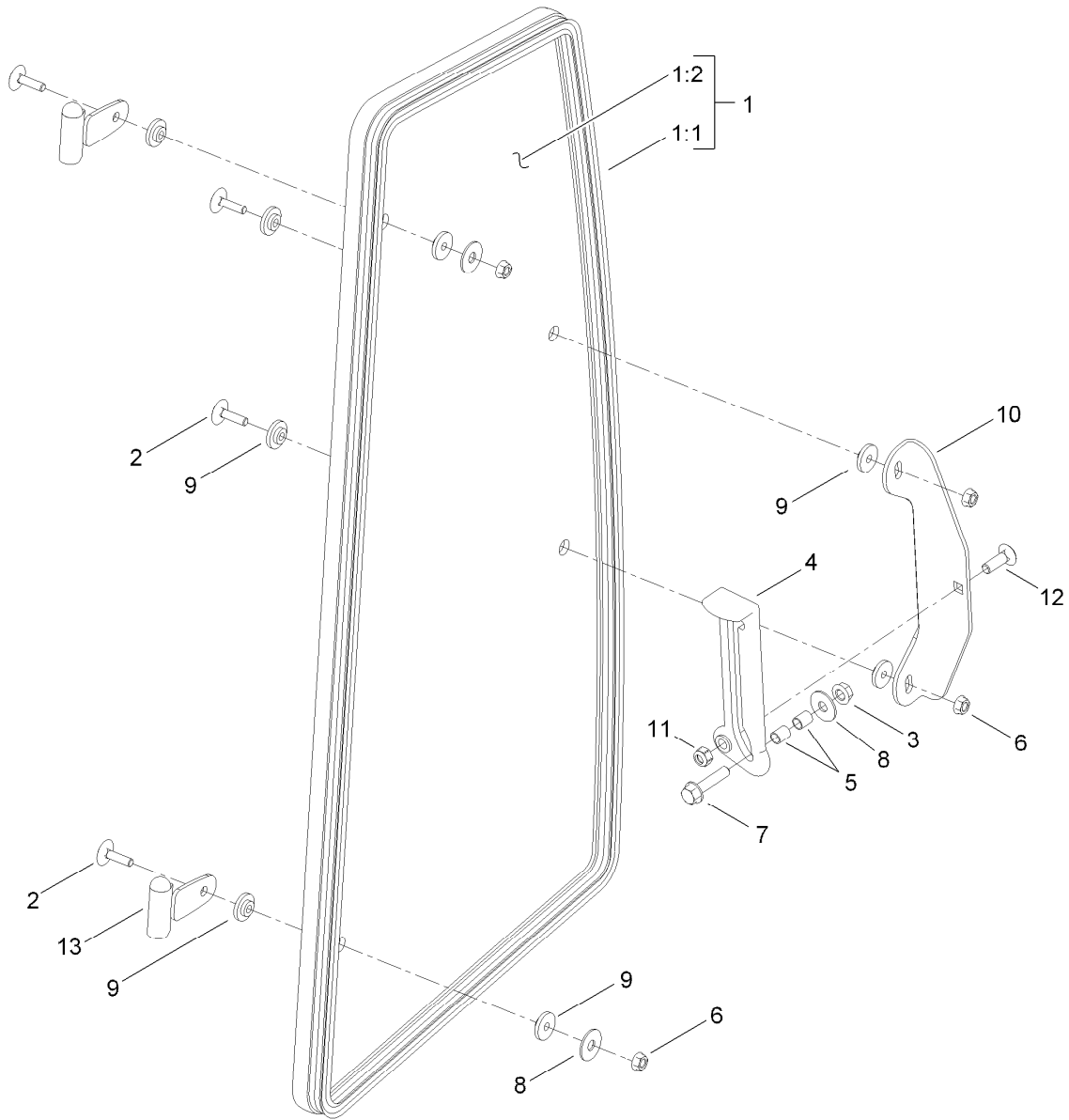
● Not serviced separately



Cab Right Door Assembly

| Ref. | Part Number | Qty. | Description |
|------|-------------|------|---------------------------|
| 1 | 120-0303 | 1 | RH Door Glass Kit |
| 1:1 | 120-0309 | 1 | Seal-Bulb, Double |
| 1:2 | | 1 | Glass-Door, RH ● |
| 2 | 115-7685 | 4 | Bolt-Step |
| 3 | 120-0366 | 1 | Latch-Escape Window, RH |
| 4 | 104-8301 | 1 | Nut-Flange, NI |
| 5 | 115-5572 | 8 | Nut-Flange |
| 6 | 115-7950 | 4 | Bushing-Boxer, Door Hinge |
| 7 | 115-5570 | 8 | Bushing-Thin |
| 8 | 115-5571 | 4 | Bolt-Step |
| 9 | 3231-31 | 1 | Screw-CARR |
| 10 | 120-0368 | 1 | Support-Door, RH |
| 11 | 120-0369 | 1 | Mount-Latch, Escape |
| 12 | 120-0370 | 2 | Hinge-Door |

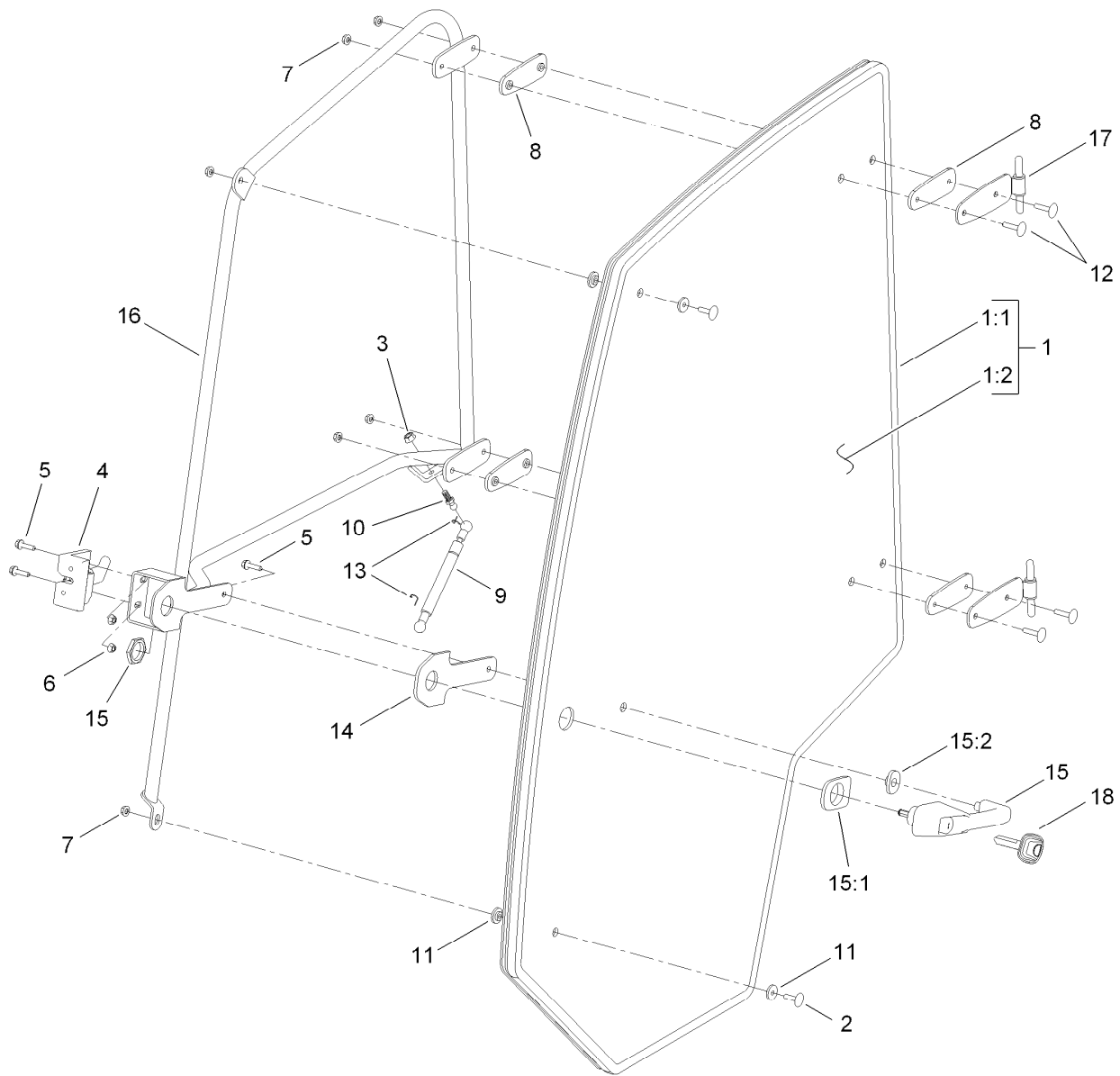
● Not serviced separately



Cab Right Window Assembly

| Ref. | Part Number | Qty. | Description |
|------|-------------|------|----------------------|
| 1 | 120-0305 | 1 | RH Window Glass Kit |
| 1:1 | 120-0311 | 1 | Seal-Bulb, Double |
| 1:2 | | 1 | Glass-Window, RH ● |
| 2 | 115-7685 | 4 | Bolt-Step |
| 3 | 32128-26 | 1 | Nut-Flange |
| 4 | 115-7694 | 1 | Slider-Window, LH |
| 5 | 115-7693 | 2 | Sleeve-Slide, Window |
| 6 | 115-5572 | 4 | Nut-Flange |
| 7 | 115-1794 | 1 | Screw-HHF |
| 8 | 115-5581 | 3 | Washer-Flat |
| 9 | 115-5570 | 8 | Bushing-Thin |
| 10 | 119-8384 | 1 | Mount-Latch, Side |
| 11 | 3296-29 | 1 | Nut-Lock, NI |
| 12 | 3230-2 | 1 | Bolt-CARR |
| 13 | 119-8385 | 2 | Top Hinge ASM |

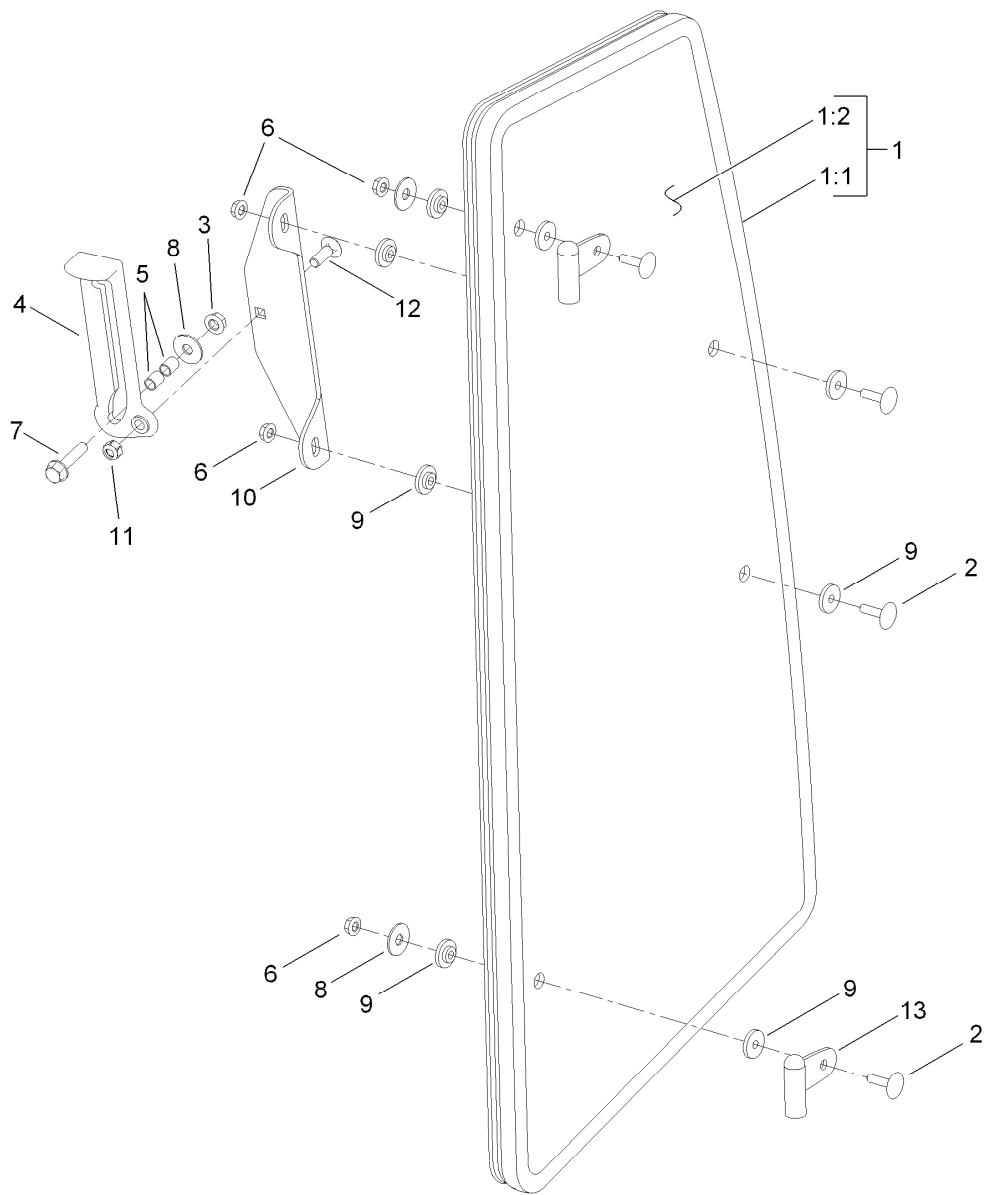
● Not serviced separately



Cab Left Door Assembly

| Ref. | Part Number | Qty. | Description | Ref. | Part Number | Qty. | Description |
|------|-------------|------|---------------------------|------|-------------|------|---------------------------------|
| 1 | 120-0302 | 1 | LH Door Glass Kit | 11 | 115-5570 | 4 | Bushing-Thin |
| 1:1 | 120-0308 | 1 | Seal-Bulb, Double | 12 | 115-5571 | 4 | Bolt-Step |
| 1:2 | | 1 | Glass-Door, LH ● | 13 | 120-0374 | 2 | Clip-Gas Shock |
| 2 | 115-7685 | 2 | Bolt-Step | 14 | 115-5546 | 1 | Gasket-Handle |
| 3 | 32128-26 | 1 | Nut-Flange | 15 | 115-5544 | 1 | Handle-Button, Push (With Keys) |
| 4 | 115-5539 | 1 | Latch-Rotary, LH | 15:1 | 119-4514 | 1 | Gasket-Large |
| 5 | 33103-025 | 3 | Screw-HHF | 15:2 | 119-4515 | 1 | Gasket-Small |
| 6 | 81-0130 | 2 | Nut-Flange, NI | 16 | 120-0367 | 1 | Support-Door, LH |
| 7 | 115-5572 | 6 | Nut-Flange | 17 | 120-0370 | 2 | Hinge-Door |
| 8 | 115-7950 | 4 | Bushing-Boxer, Door Hinge | 18 | 115-5545 | 1 | Key-Cab |
| 9 | 115-7997 | 1 | Shock-Door, Gas | | | | |
| 10 | 98-3104 | 1 | Stud-Ball | | | | |

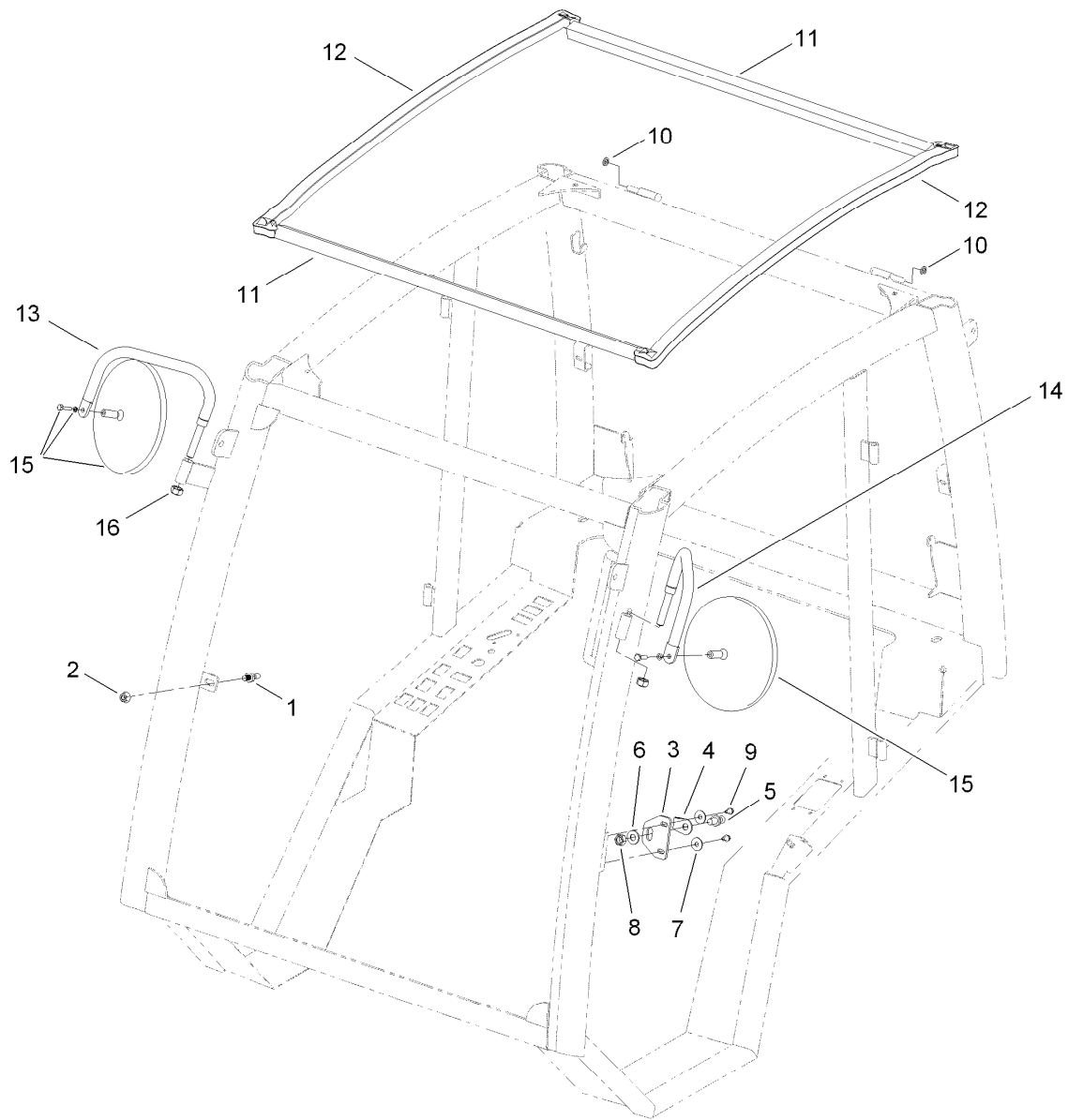
● Not serviced separately



Cab Left Window Assembly

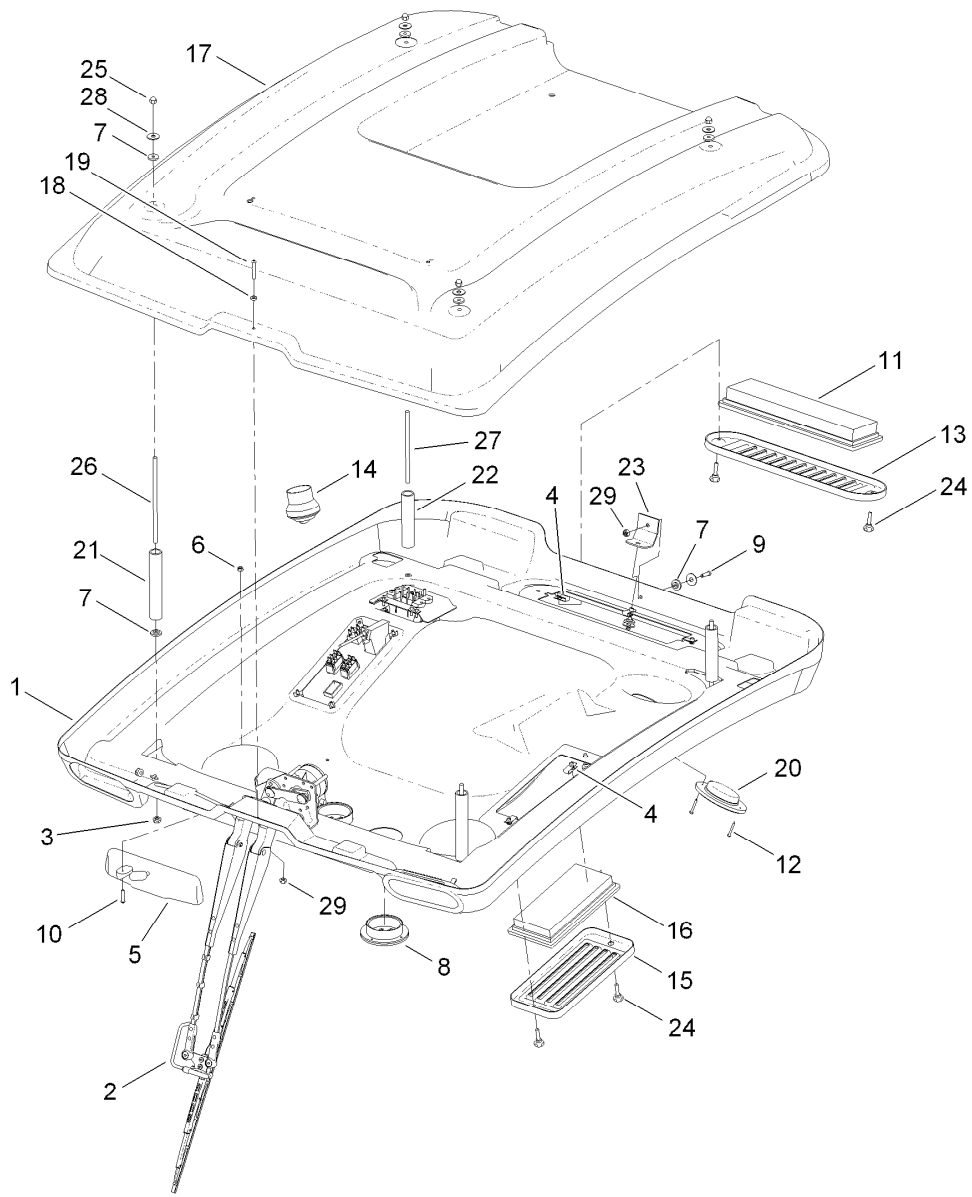
| Ref. | Part Number | Qty. | Description |
|------|-------------|------|----------------------|
| 1 | 120-0304 | 1 | LH Window Glass Kit |
| 1:1 | 120-0310 | 1 | Seal-Bulb, Double |
| 1:2 | | 1 | Glass-Window, LH ● |
| 2 | 115-7685 | 4 | Bolt-Step |
| 3 | 32128-26 | 1 | Nut-Flange |
| 4 | 115-7695 | 1 | Slider-Window, RH |
| 5 | 115-7693 | 2 | Sleeve-Slide, Window |
| 6 | 115-5572 | 4 | Nut-Flange |
| 7 | 115-1794 | 1 | Screw-HHF |
| 8 | 115-5581 | 3 | Washer-Flat |
| 9 | 115-5570 | 8 | Bushing-Thin |
| 10 | 119-8384 | 1 | Mount-Latch, Side |
| 11 | 3296-29 | 1 | Nut-Lock, NI |
| 12 | 3230-2 | 1 | Bolt-CARR |
| 13 | 120-0373 | 2 | Hinge-Top |

● Not serviced separately



Cab Frame Assembly

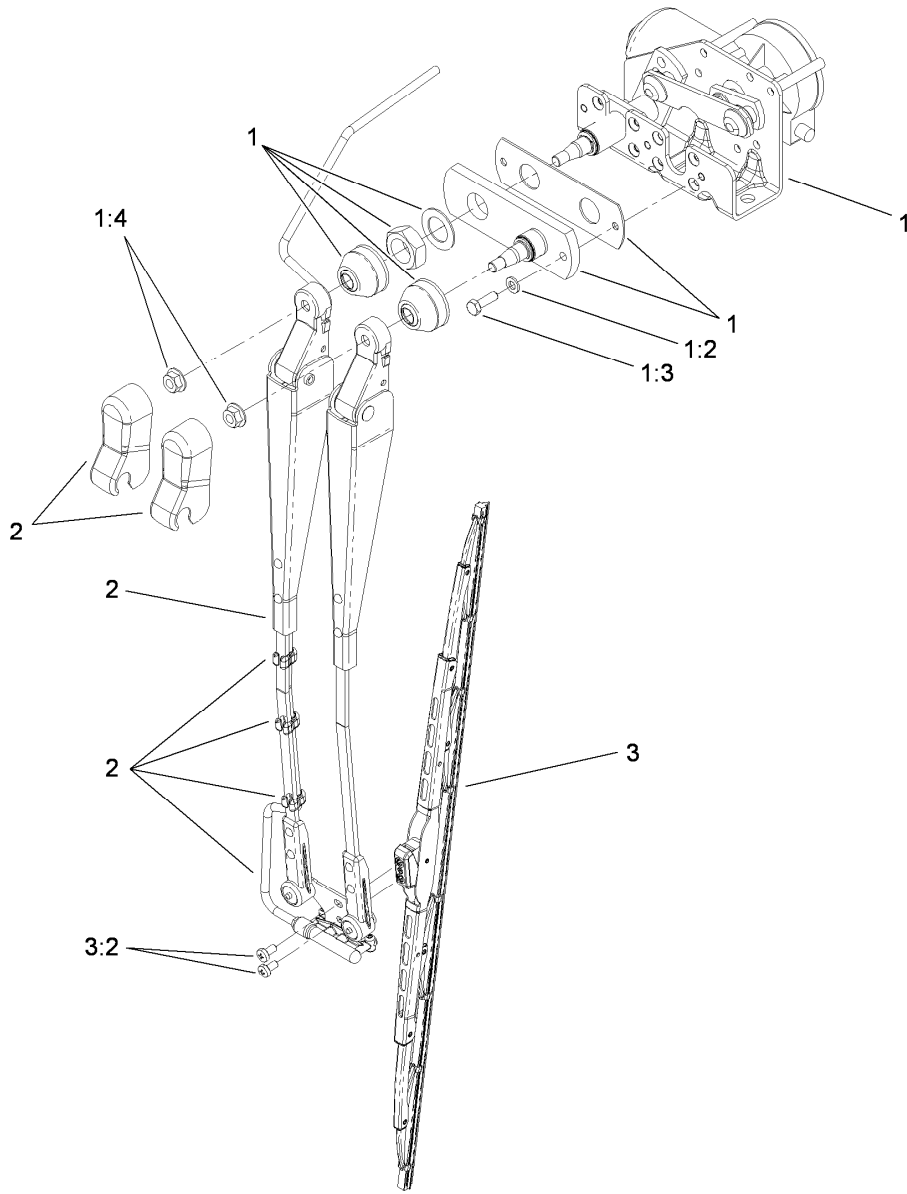
| <i>Ref.</i> | <i>Part Number</i> | <i>Qty.</i> | <i>Description</i> | <i>Ref.</i> | <i>Part Number</i> | <i>Qty.</i> | <i>Description</i> |
|-------------|--------------------|-------------|--------------------|-------------|--------------------|-------------|------------------------|
| 1 | 119-8363 | 1 | Pin-Latch | 9 | 3234-13 | 2 | Screw-HHF |
| 2 | 33025-00 | 1 | Nut-Lock, NI | 10 | 115-7696 | 2 | Washer-Hinge, Brass |
| 3 | 117-2777 | 1 | Plate-Striker | 11 | 119-5282 | 2 | Seal |
| 4 | 115-5577 | 1 | Guard-Striker | 12 | 119-5283 | 2 | Seal |
| 5 | 115-5576 | 1 | Striker | 13 | 115-5583 | 1 | Arm-Mount, Mirror (RH) |
| 6 | 3256-26 | 1 | Washer-Flat | 14 | 115-5584 | 1 | Arm-Mount, Mirror (LH) |
| 7 | 115-5581 | 2 | Washer-Flat | 15 | 115-5585 | 2 | Mirror-Convex |
| 8 | 115-5579 | 1 | Nut-HH | 16 | 115-5582 | 2 | Nut-Flange, Crimplock |



Cab Headliner Assembly

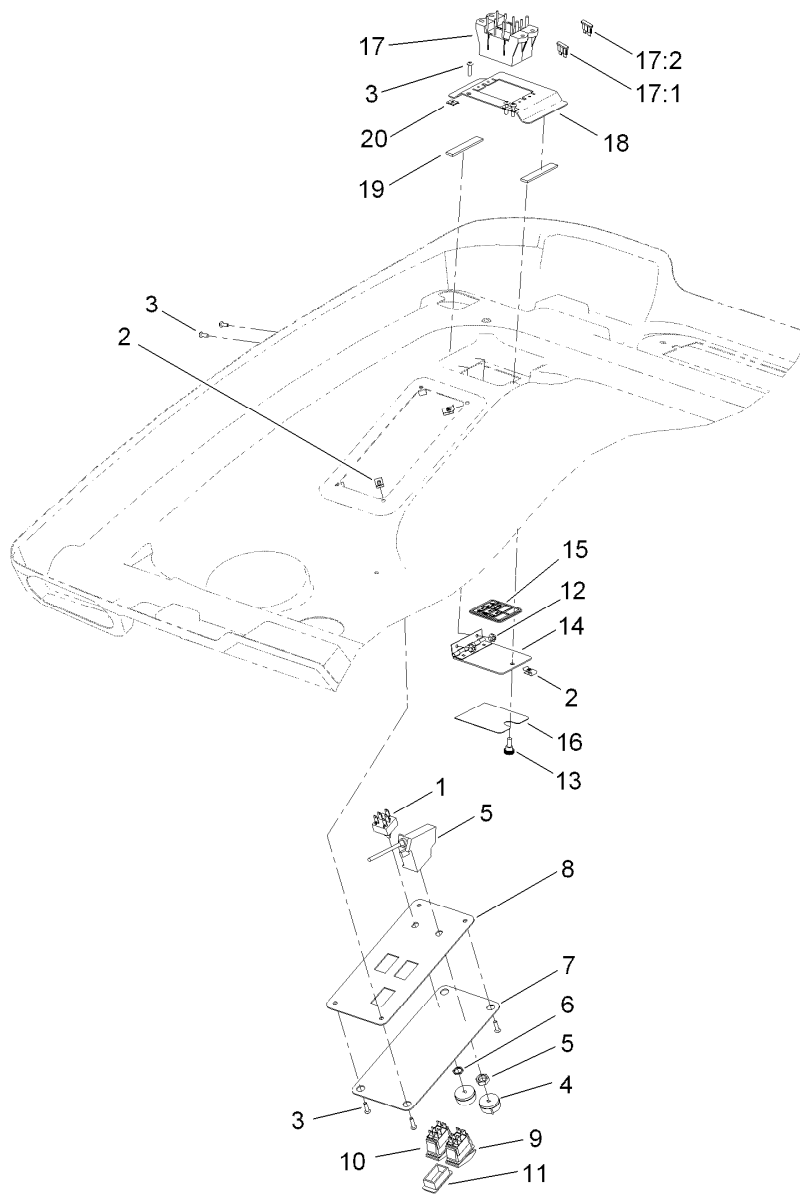
| <i>Ref.</i> | <i>Part Number</i> | <i>Qty.</i> | <i>Description</i> |
|-------------|--------------------|-------------|---------------------|
| 1 | 119-5287 | 1 | Headliner |
| 2 | 119-8350 | 1 | Wiper ASM |
| 3 | 32128-26 | 4 | Nut-Flange |
| 4 | 115-5586 | 5 | Nut-Panel, Deep |
| 5 | 115-5524 | 1 | Mirror-Rear View |
| 6 | 32128-17 | 1 | Nut-Lock, Flange |
| 7 | 115-5570 | 10 | Bushing-Thin |
| 8 | 115-5558 | 3 | Louver |
| 9 | 3274-65 | 2 | Screw-HSBH |
| 10 | 117-5022 | 1 | Screw-Pan |
| 11 | 115-5553 | 1 | Filter-Air, Rear |
| 12 | 115-5594 | 2 | Screw-HSBH |
| 13 | 115-5554 | 1 | Cover-Filter, Rear |
| 14 | 115-5559 | 1 | Louver-Ball |
| 15 | 115-5557 | 1 | Cover-Filter, Front |

| <i>Ref.</i> | <i>Part Number</i> | <i>Qty.</i> | <i>Description</i> |
|-------------|--------------------|-------------|----------------------------|
| 16 | 115-5556 | 1 | Filter-Air, Front |
| 17 | 119-5288 | 1 | Roof |
| 18 | 115-5598 | 1 | Washer-Rubber |
| 19 | 117-5011 | 1 | Screw |
| 20 | 115-5515 | 1 | Light-Dome, Led |
| 21 | 115-5513 | 2 | Spacer-Roof, Front |
| 22 | 115-5514 | 2 | Spacer-Roof, Rear |
| 23 | 115-5526 | 1 | Mount-Roof |
| 24 | 115-5555 | 4 | Screw-Thumb |
| 25 | 73-5380 | 4 | Nut-Hex |
| 26 | 117-2764 | 2 | Fastener-Mount, Front Roof |
| 27 | 117-2763 | 2 | Fastener-Mount, Rear Roof |
| 28 | 115-5581 | 6 | Washer-Flat |
| 29 | 115-5572 | 2 | Nut-Flange |



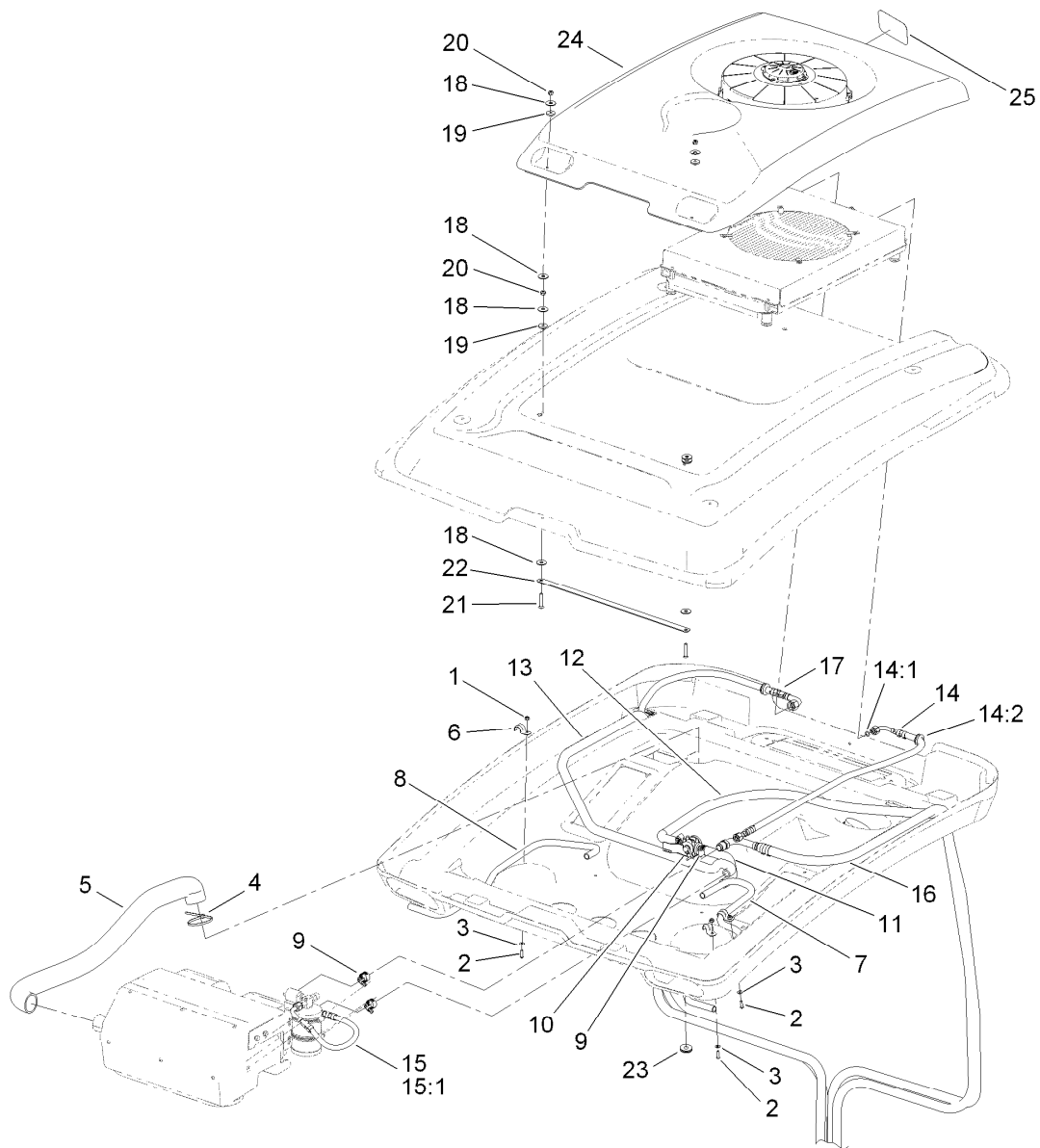
Wiper Assembly No. 119-8350

| <i>Ref.</i> | <i>Part Number</i> | <i>Qty.</i> | <i>Description</i> |
|-------------|--------------------|-------------|----------------------|
| 1 | 119-8351 | 1 | Wiper Motor ASM |
| 1:2 | 3253-3 | 1 | Washer-Lock |
| 1:3 | 33113-025 | 1 | Screw-HH |
| 1:4 | 112-2844 | 2 | Nut-HF |
| 2 | 119-8352 | 1 | Arm-Wiper, 20 Inch |
| 3 | 119-8353 | 1 | Blade-Wiper, 22 Inch |
| 3:2 | 47-2830 | 2 | Screw-Metric |



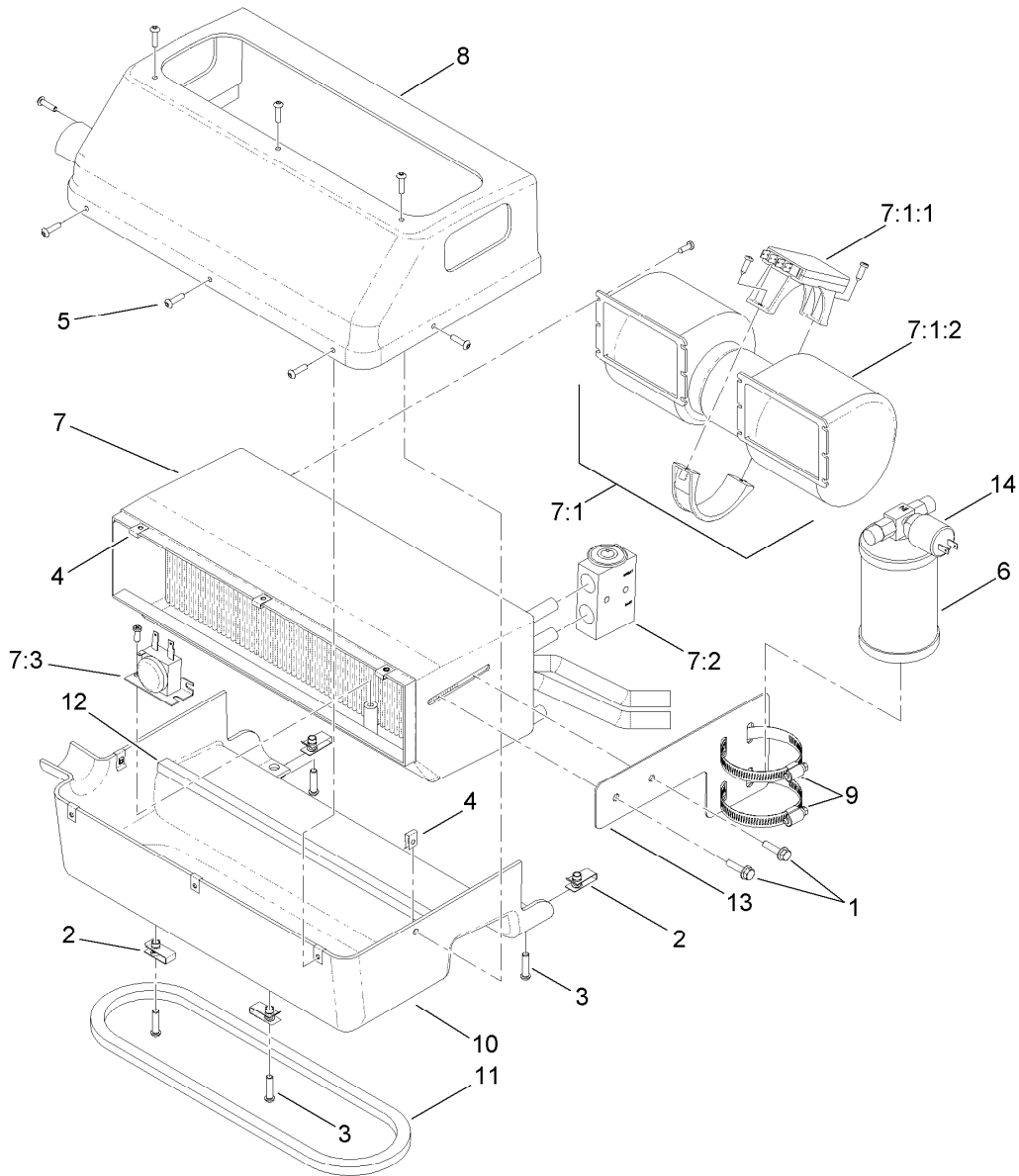
Cab Switchplate and Fuse Block Assembly

| <i>Ref.</i> | <i>Part Number</i> | <i>Qty.</i> | <i>Description</i> | <i>Ref.</i> | <i>Part Number</i> | <i>Qty.</i> | <i>Description</i> |
|-------------|--------------------|-------------|----------------------|-------------|--------------------|-------------|-------------------------|
| 1 | 115-5502 | 1 | Switch-Fan, 3-Speed | 12 | 32128-17 | 2 | Nut-Lock, Flange |
| 2 | 107-1013 | 5 | Nut-Speed, U-Type | 13 | 115-5506 | 1 | Knob |
| 3 | 104-2408 | 9 | Screw-HSBH | 14 | 115-5510 | 1 | Cover-Access, Fuse |
| 4 | 115-5504 | 2 | Knob-Control | 15 | 117-2787 | 1 | Label-Information, Fuse |
| 5 | 115-8820 | 1 | Switch-Control, Heat | 16 | 115-5508 | 1 | Label-Block, Fuse |
| 6 | 115-5503 | 1 | Nut | 17 | 119-8356 | 1 | Harness-Wire |
| 7 | 115-5501 | 1 | Label-Switch | 17:1 | 109355 | 3 | Fuse-Blade, 15 Amp |
| 8 | 115-5500 | 1 | Plate-Switch | 17:2 | 109103 | 1 | Fuse-Blade, 30 Amp |
| 9 | 119-8355 | 1 | Switch-Rocker | 18 | 115-5511 | 1 | Mount-Block, Fuse |
| 10 | 95-8999 | 1 | Switch | 19 | 115-5547 | 2 | Pad-Fastener |
| 11 | 99-7420 | 1 | Plug-Hole | 20 | 115-5505 | 3 | Nut-Panel, Spring |



Cab Roof and Hose Assembly

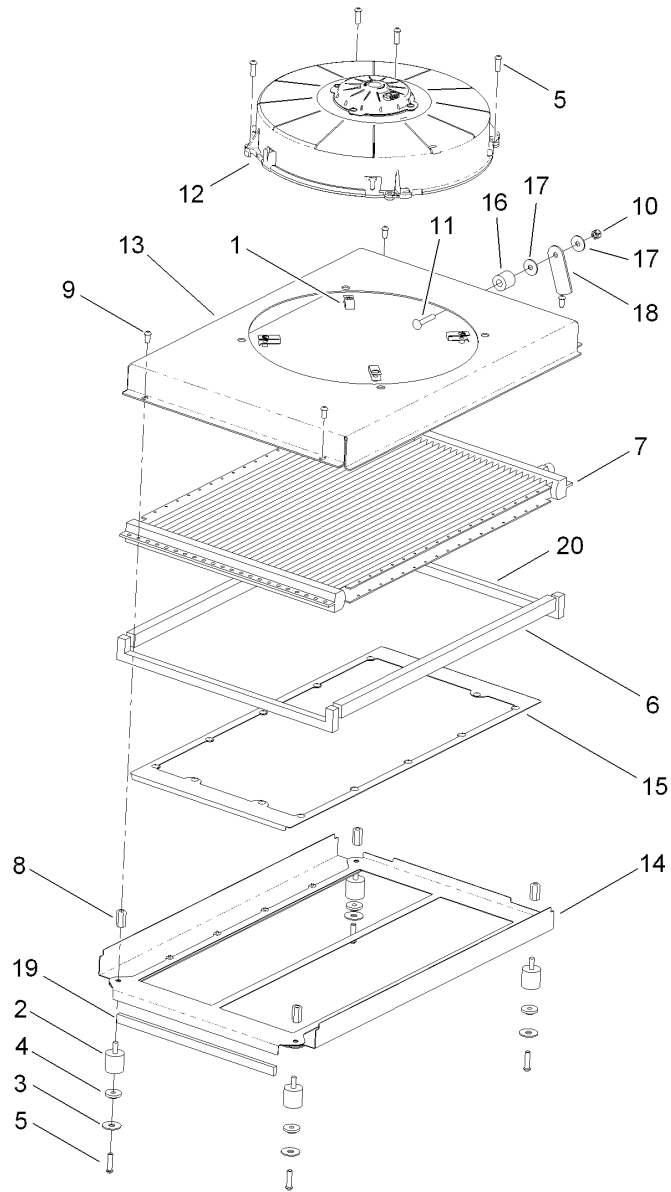
| <i>Ref.</i> | <i>Part Number</i> | <i>Qty.</i> | <i>Description</i> | <i>Ref.</i> | <i>Part Number</i> | <i>Qty.</i> | <i>Description</i> |
|-------------|--------------------|-------------|----------------------------|-------------|--------------------|-------------|--------------------|
| 1 | 32128-17 | 3 | Nut-Lock, Flange | 14:1 | 117-2778 | 2 | O-Ring |
| 2 | 104-2408 | 3 | Screw-HSBH | 14:2 | 117-2782 | 1 | Grommet |
| 3 | 3256-14 | 3 | Washer-Flat | 15 | 115-8838 | 1 | Hose ASM |
| 4 | 3290-379 | 2 | Tie-Cable | 15:1 | 117-2778 | 2 | O-Ring |
| 5 | 115-8835 | 1 | Hose-Air Duct | 16 | 120-0384 | 1 | Hose ASM |
| 6 | 119-4517 | 3 | Clamp-Hose | 17 | 120-0385 | 1 | Hose ASM |
| 7 | 120-0376 | 1 | Hose-Drain, LH | 18 | 115-5581 | 8 | Washer-Flat |
| 8 | 120-0377 | 1 | Hose-Drain, RH | 19 | 115-5570 | 4 | Bushing-Thin |
| 9 | 2412-141 | 4 | Clamp-Drive, Worm | 20 | 3296-42 | 4 | Nut-Lock, NI |
| 10 | 115-8840 | 1 | Valve-Heater | 21 | 3229-4 | 2 | Screw-CARR |
| 11 | 115-8844 | 1 | Hose | 22 | 119-4505 | 1 | Strap-Mounting |
| 12 | 120-0375 | 1 | Hose (Thermostat To Valve) | 23 | 117-2782 | 2 | Grommet |
| 13 | 120-0346 | 1 | Hose ASM | 24 | 115-5552 | 1 | Cover-Condenser |
| 14 | 115-8837 | 1 | Hose ASM | 25 | 67-1300 | 1 | Decal |



Cab A/C Heater and Evaporator Assembly

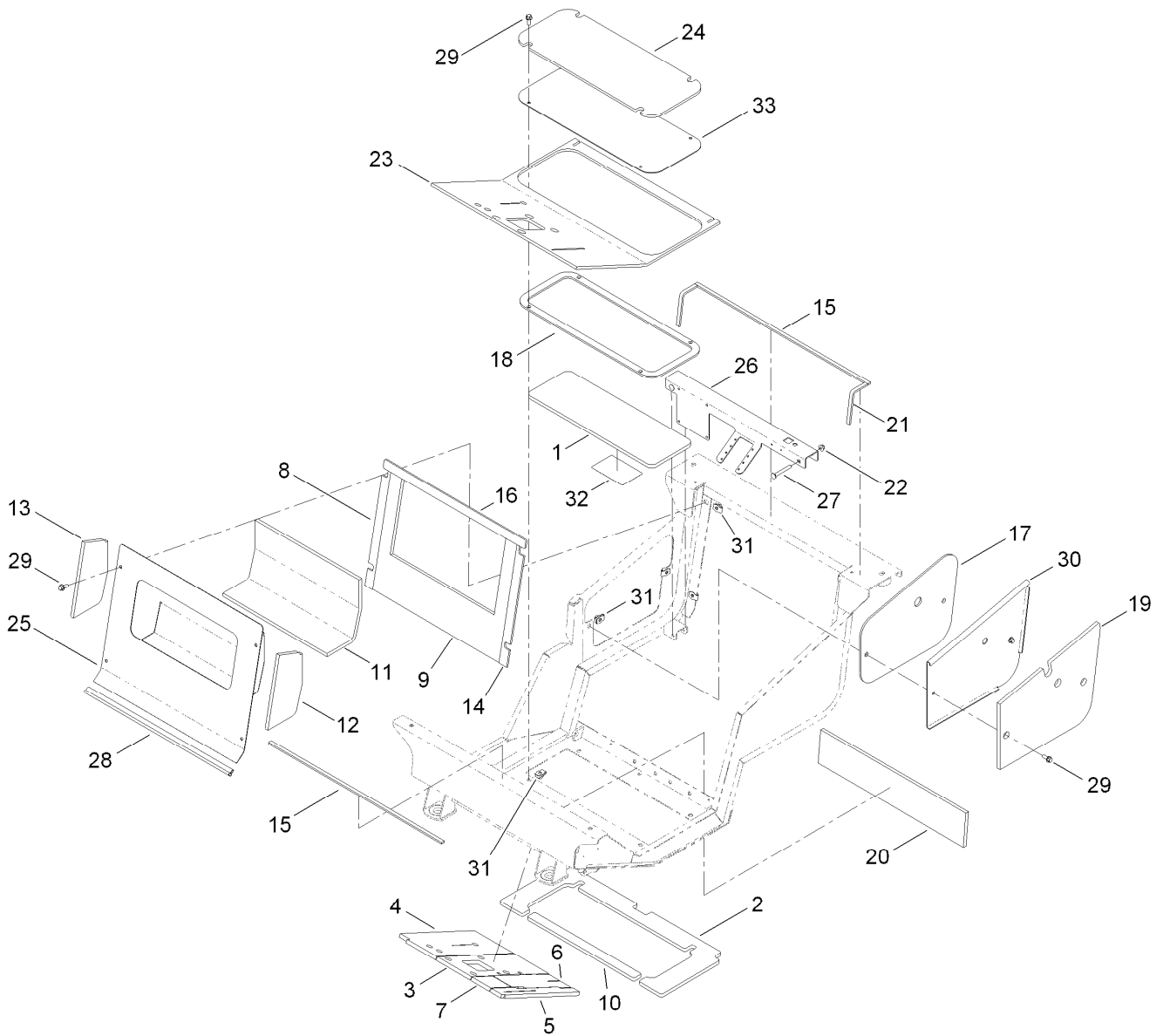
| <i>Ref.</i> | <i>Part Number</i> | <i>Qty.</i> | <i>Description</i> | <i>Ref.</i> | <i>Part Number</i> | <i>Qty.</i> | <i>Description</i> |
|-------------|--------------------|-------------|---------------------|-------------|--------------------|-------------|---------------------------|
| 1 | 33103-025 | 2 | Screw-HHF | 7:2 | 115-5587 | 1 | Valve-Expansion |
| 2 | 115-5586 | 4 | Nut-Panel, Deep | 7:3 | 115-5593 | 1 | Thermostat-Switch, Freeze |
| 3 | 3274-65 | 4 | Screw-HSBH | 8 | 115-8829 | 1 | Cover-Top |
| 4 | 115-7952 | 8 | Nut-Panel | 9 | 2412-125 | 2 | Clamp-Hose |
| 5 | 104-2408 | 8 | Screw-HSBH | 10 | 115-8828 | 1 | Evaporator-Bottom |
| 6 | 119-4502 | 1 | Drier-Receiver | 11 | 120-0378 | 1 | Seal-36 Inch |
| 7 | 121-3860 | 1 | A/C Heater ASM | 12 | 120-0379 | 1 | Seal-16 Inch |
| 7:1 | 121-3861 | 1 | Fan-Blower | 13 | 120-0380 | 1 | Mount-Drier |
| 7:1:1 | 121-3862 | 1 | Resistor-Fan | 14 | 119-4501 | 1 | Switch-Dual Function |
| 7:1:2 | | 1 | Fan And Motor ASM ● | | | | |

● Not serviced separately



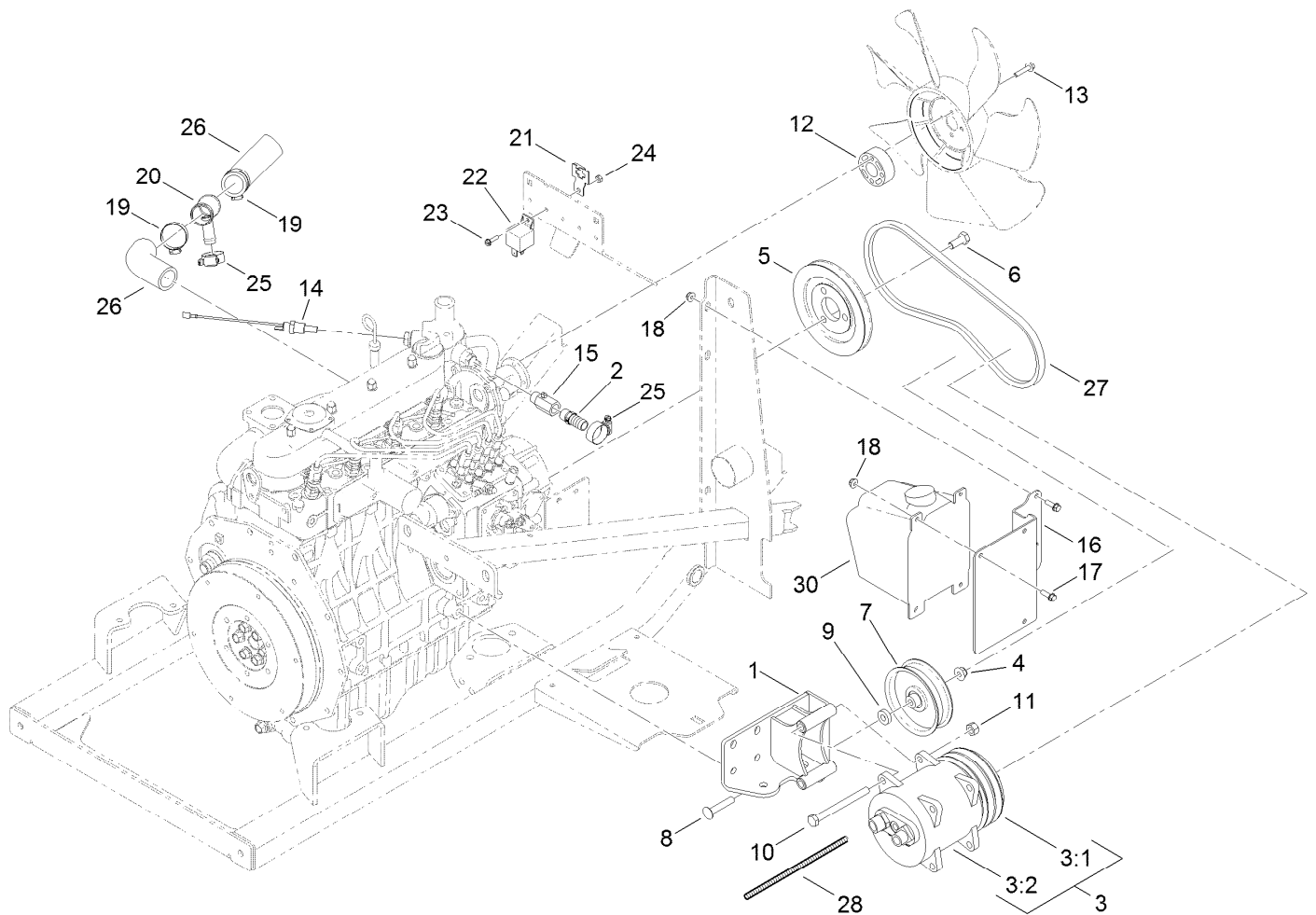
Cab Condenser Assembly

| <i>Ref.</i> | <i>Part Number</i> | <i>Qty.</i> | <i>Description</i> | <i>Ref.</i> | <i>Part Number</i> | <i>Qty.</i> | <i>Description</i> |
|-------------|--------------------|-------------|--------------------|-------------|--------------------|-------------|--------------------|
| 1 | 107069 | 4 | Clip | 11 | 3229-4 | 1 | Screw-CARR |
| 2 | 115-8822 | 4 | Mount-Isolator | 12 | 119-4500 | 1 | Fan-12 Inch |
| 3 | 115-5581 | 4 | Washer-Flat | 13 | 119-4511 | 1 | Shroud-Fan |
| 4 | 115-5570 | 4 | Bushing-Thin | 14 | 119-4513 | 1 | Frame-Screen |
| 5 | 3274-65 | 8 | Screw-HSBH | 15 | 119-4512 | 1 | Tray-Screen |
| 6 | 119-4516 | 2 | Foam-Side | 16 | 119-4506 | 1 | Spacer-Latch |
| 7 | 115-8816 | 1 | Coil-Condenser | 17 | 66-2921 | 2 | Washer-Friction |
| 8 | 115-8823 | 4 | Coupler-Nut | 18 | 119-4507 | 1 | Plate-Latch |
| 9 | 115-8819 | 4 | Screw-HSBH | 19 | 119-4527 | 1 | Foam-Tray |
| 10 | 3296-42 | 1 | Nut-Lock, NI | 20 | 119-4544 | 2 | Foam-End |



Foam Installation Assembly

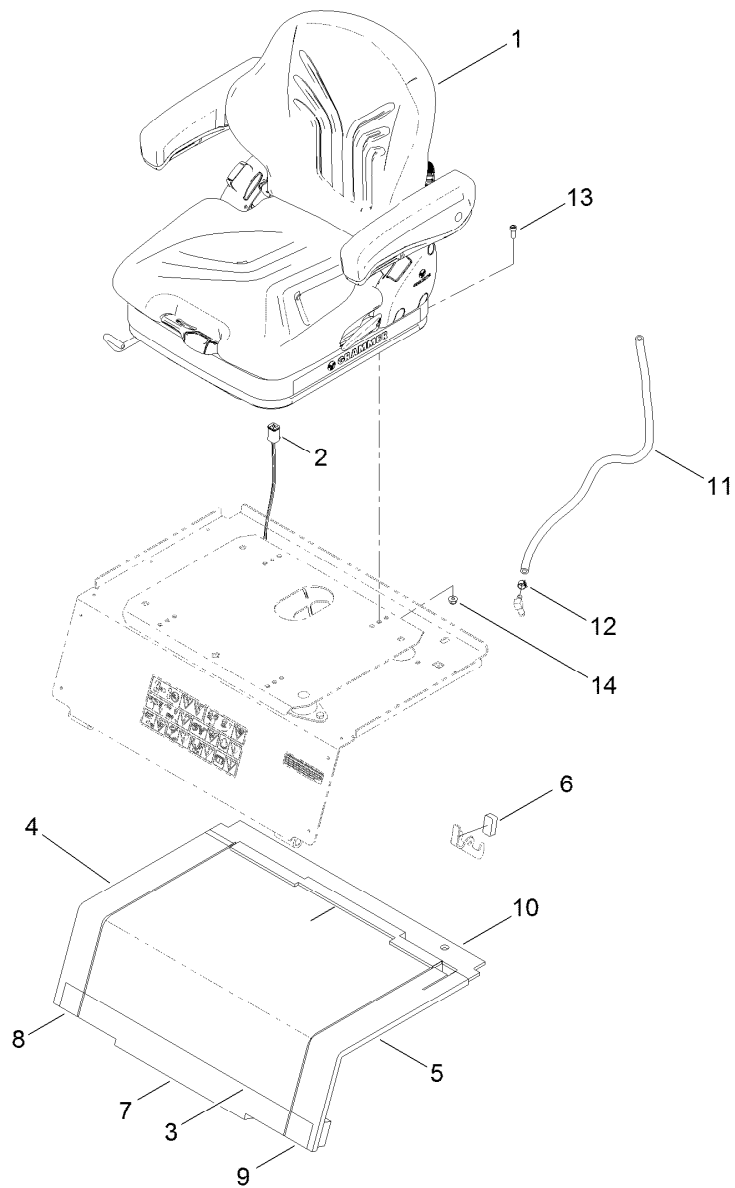
| <i>Ref.</i> | <i>Part Number</i> | <i>Qty.</i> | <i>Description</i> | <i>Ref.</i> | <i>Part Number</i> | <i>Qty.</i> | <i>Description</i> |
|-------------|--------------------|-------------|--------------------|-------------|--------------------|-------------|---------------------|
| 1 | 119-8052 | 1 | Foam | 18 | 119-8051 | 1 | Foam |
| 2 | 119-8053 | 1 | Foam | 19 | 119-8086 | 1 | Foam-Interior |
| 3 | 119-8054 | 1 | Foam | 20 | 119-8076 | 1 | Foam-Interior |
| 4 | 119-8055 | 1 | Foam | 21 | 119-9896 | 2 | Strip-Foam |
| 5 | 119-8056 | 1 | Foam | 22 | 104-8301 | 2 | Nut-Flange, NI |
| 6 | 119-8057 | 1 | Foam | 23 | 119-8078 | 1 | Mat-Floor |
| 7 | 119-8058 | 1 | Foam | 24 | 119-8079 | 1 | Mat-Panel, Floor |
| 8 | 119-8064 | 1 | Foam | 25 | 117-3392-03 | 1 | Firewall ASM |
| 9 | 119-8065 | 1 | Foam | 26 | 117-3323-03 | 1 | Channel-Seat |
| 10 | 119-8066 | 1 | Foam | 27 | 3231-10 | 2 | Screw-CARR |
| 11 | 119-8067 | 1 | Foam | 28 | 117-3398 | 1 | Seal-Bulb |
| 12 | 119-8068 | 1 | Foam | 29 | 110-5052 | 10 | Screw-HHF |
| 13 | 119-8069 | 1 | Foam | 30 | 117-3397-03 | 1 | Panel-Access, Cab |
| 14 | 119-8063 | 1 | Foam | 31 | 105-4886 | 10 | Nut-Tinnerman |
| 15 | 119-9897 | 2 | Strip-Foam | 32 | 112-1461 | 1 | Decal-Routing, Belt |
| 16 | 119-8062 | 1 | Foam | 33 | 117-3322-03 | 1 | Cover-Floor |
| 17 | 119-8050 | 1 | Foam | | | | |



Air Conditioning Assembly

| Ref. | Part Number | Qty. | Description | Ref. | Part Number | Qty. | Description |
|------|-------------|------|-------------------|------|-------------|------|----------------------|
| 1 | 115-0107-03 | 1 | Bracket-Mount, Ac | 15 | 117-3291 | 1 | Valve-Ball, Modified |
| 2 | 117-9410 | 1 | Fitting-Straight | 16 | 117-2230-03 | 1 | Plate-Mounting |
| 3 | 117-3048 | 1 | Compressor ASM | 17 | 32105-15 | 4 | Screw-HWH |
| 3:1 | 120-0251 | 1 | Clutch-Compressor | 18 | 104-7201 | 4 | Nut-HF |
| 3:2 | | 1 | Compressor ● | 19 | 2412-34 | 2 | Clamp-Hose |
| 4 | 104-8301 | 1 | Nut-Flange, NI | 20 | 119-0142 | 1 | Fitting-Radiator |
| 5 | 115-0103 | 1 | Pulley | 21 | 114-5502 | 1 | Clip-Fuse |
| 6 | 43-0090 | 3 | Screw-HH | 22 | 99-7435 | 1 | Relay-Power |
| 7 | 98-3095 | 1 | Pulley-Idler | 23 | 32105-13 | 1 | Screw-HWH |
| 8 | 117-9971 | 1 | Bolt-Carriage | 24 | 3296-2 | 1 | Nut-Lock, NI |
| 9 | 5-0652 | 1 | Spacer | 25 | 2412-129 | 2 | Clamp-Hose |
| 10 | 33115-110 | 2 | Screw-HH | 26 | 120-0252 | 2 | Hose-Radiator, Lower |
| 11 | 33025-00 | 2 | Nut-Lock, NI | 27 | 117-3399 | 1 | Belt-V |
| 12 | 109-2675 | 1 | Spacer-Fan, 21Mm | 28 | 115-8882 | 1 | Conduit-Convolutd |
| 13 | 33103-030 | 4 | Screw-HHF | 30 | 115-8848 | 1 | Tank-Fluid, Washer |
| 14 | 112-6347 | 1 | Switch-Temp, Dual | | | | |

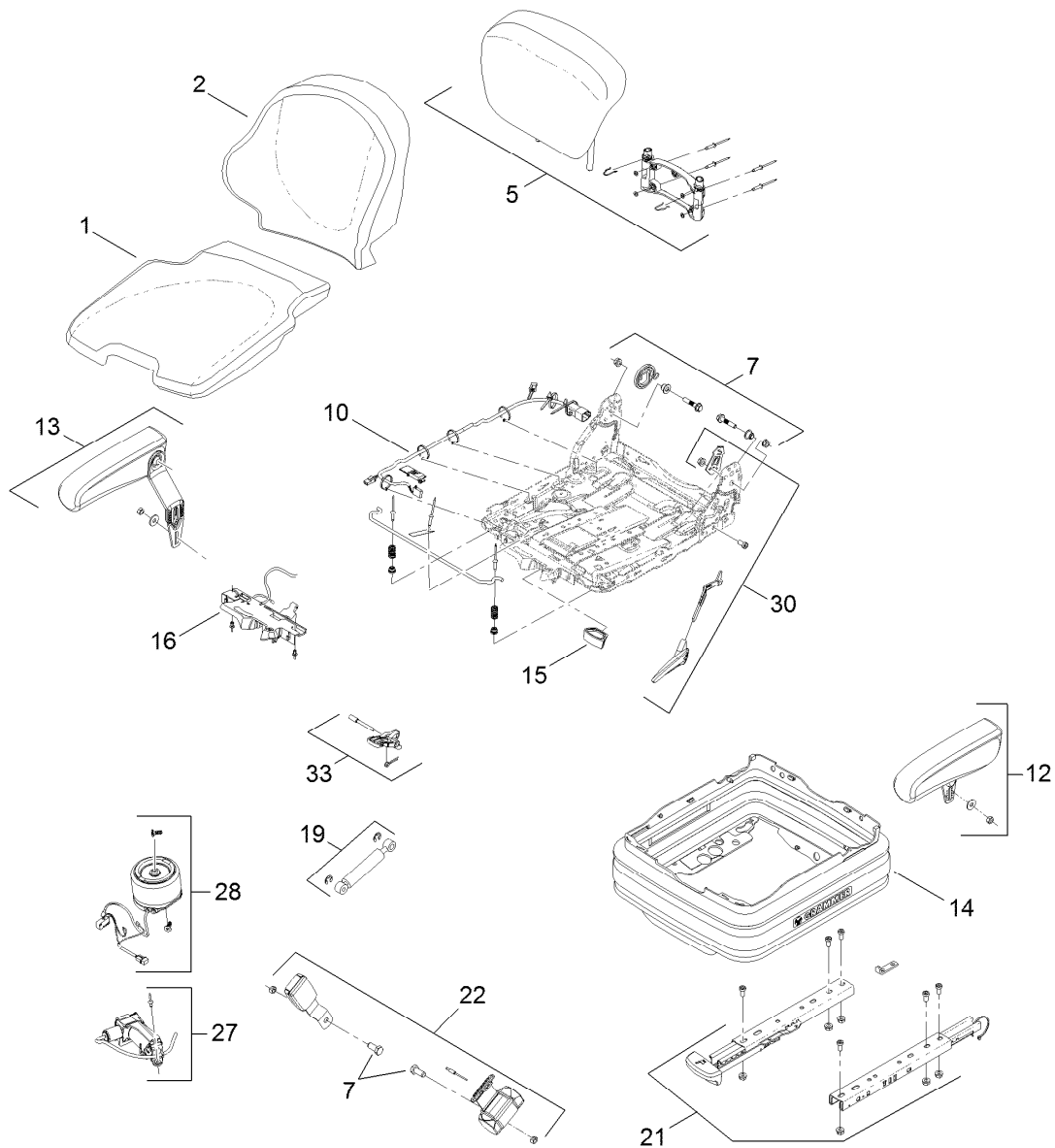
● Not serviced separately



Seat Assembly

| Ref. | Part Number | Qty. | Description |
|------|-------------|------|---------------------------|
| 1 | 117-3096 | 1 | Vinyl Air Ride Seat ASM ● |
| 2 | 119-5787 | 1 | Harness-Wire, Seat |
| 3 | 119-8059 | 1 | Foam |
| 4 | 119-8073 | 1 | Foam |
| 5 | 119-8074 | 1 | Foam |
| 6 | 119-8060 | 1 | Foam |
| 7 | 119-8070 | 1 | Foam |
| 8 | 119-8071 | 1 | Foam |
| 9 | 119-8072 | 1 | Foam |
| 10 | 119-8075 | 1 | Foam |
| 11 | 110-3257 | 1 | Hose-Fuel |
| 12 | 92-2379 | 1 | Clamp-Hose |
| 13 | 3274-10 | 4 | Screw-HSH |
| 14 | 104-8300 | 4 | Nut-Flange, NI |

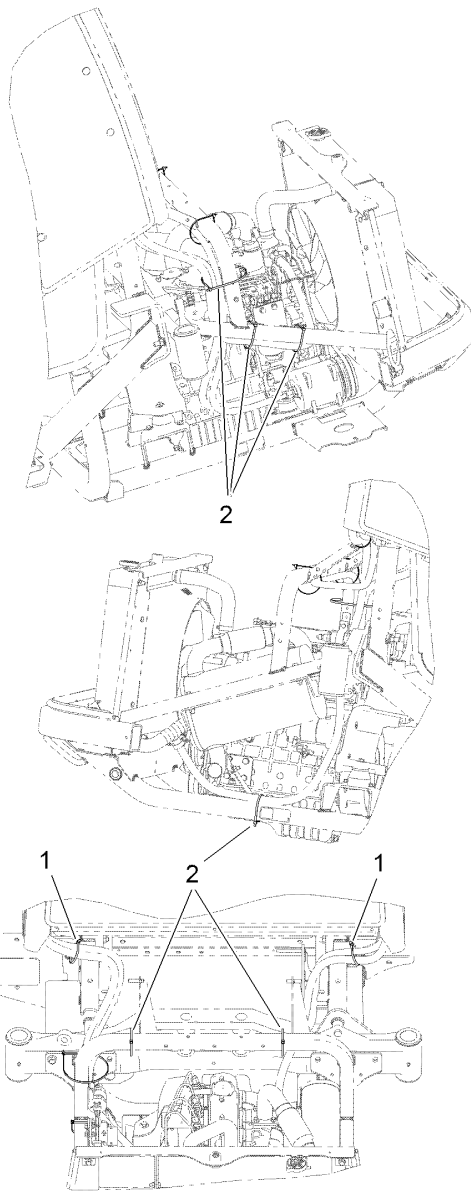
● Optional Equipment



Cloth Air Ride Seat Assembly

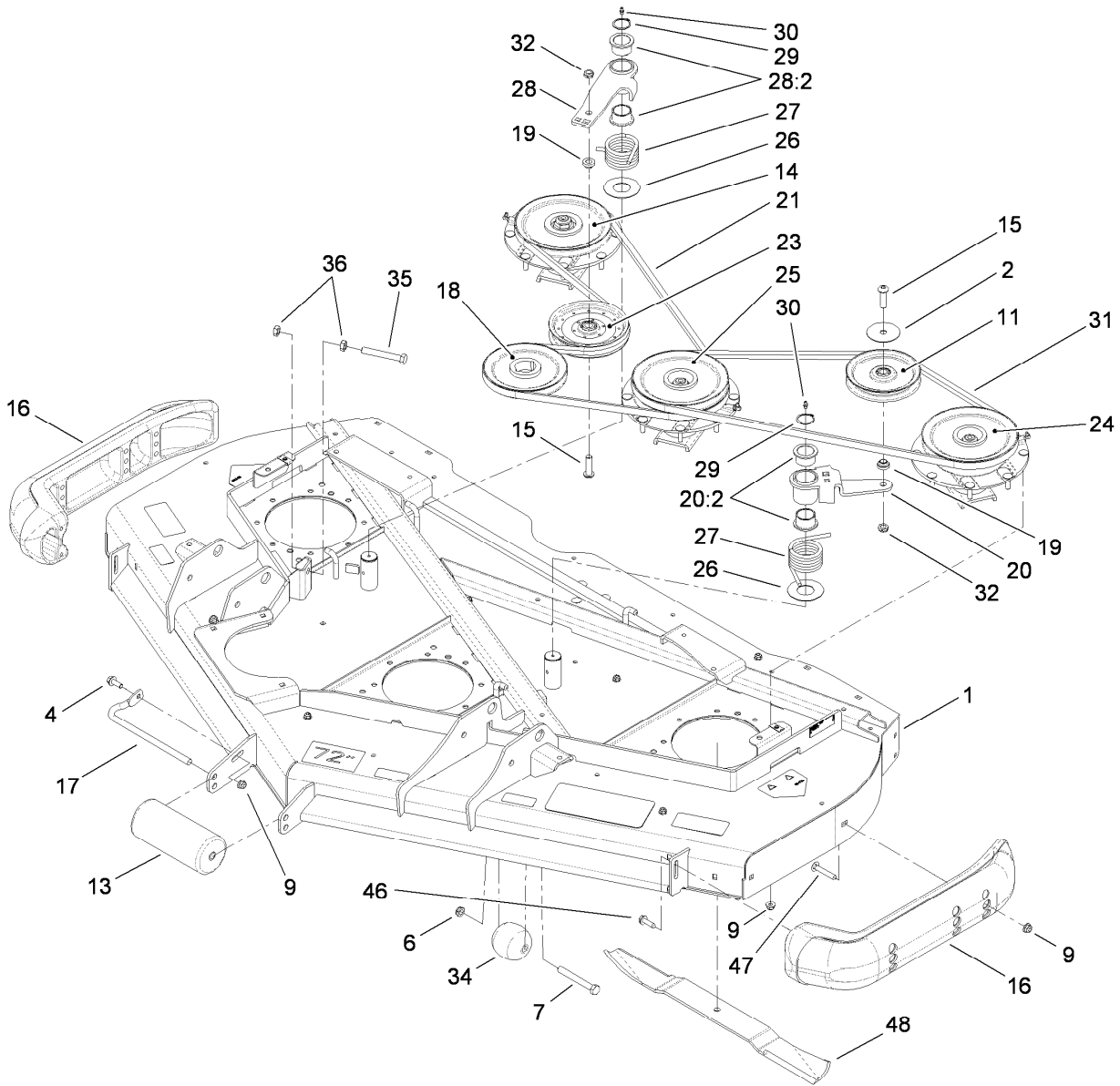
| Ref. | Part Number | Qty. | Description | Ref. | Part Number | Qty. | Description |
|------|-------------|------|--------------------------------|------|-------------|------|-------------------------|
| 1 | 120-0565 | 1 | Cloth Seat Cushion Kit | 15 | 120-0573 | 1 | Handle |
| 2 | 120-0566 | 1 | Cloth Back Cushion Kit | 16 | 120-0574 | 1 | Housing |
| 5 | 120-0567 | 1 | Backrest Cloth Extension Kit ● | 19 | 120-0575 | 1 | Shock Absorber Kit |
| 7 | 120-0568 | 1 | Backrest Kit | 21 | 120-0584 | 1 | Rails Adjustment Kit |
| 10 | 120-0569 | 1 | Switch Kit | 22 | 120-0576 | 1 | Seatbelt Kit |
| 12 | 119-7105 | 1 | Premium Armrest Kit | 27 | 120-0577 | 1 | Compressor |
| 13 | 120-0571 | 1 | RH Armrest Kit | 28 | 120-0578 | 1 | Air Spring Kit |
| 14 | 120-0572 | 1 | Bellows | 30 | 120-0579 | 1 | Backrest Adjustment Kit |
| | | | | 33 | 120-0580 | 1 | Lever Kit |

● Optional Equipment



Harness Clip Assembly

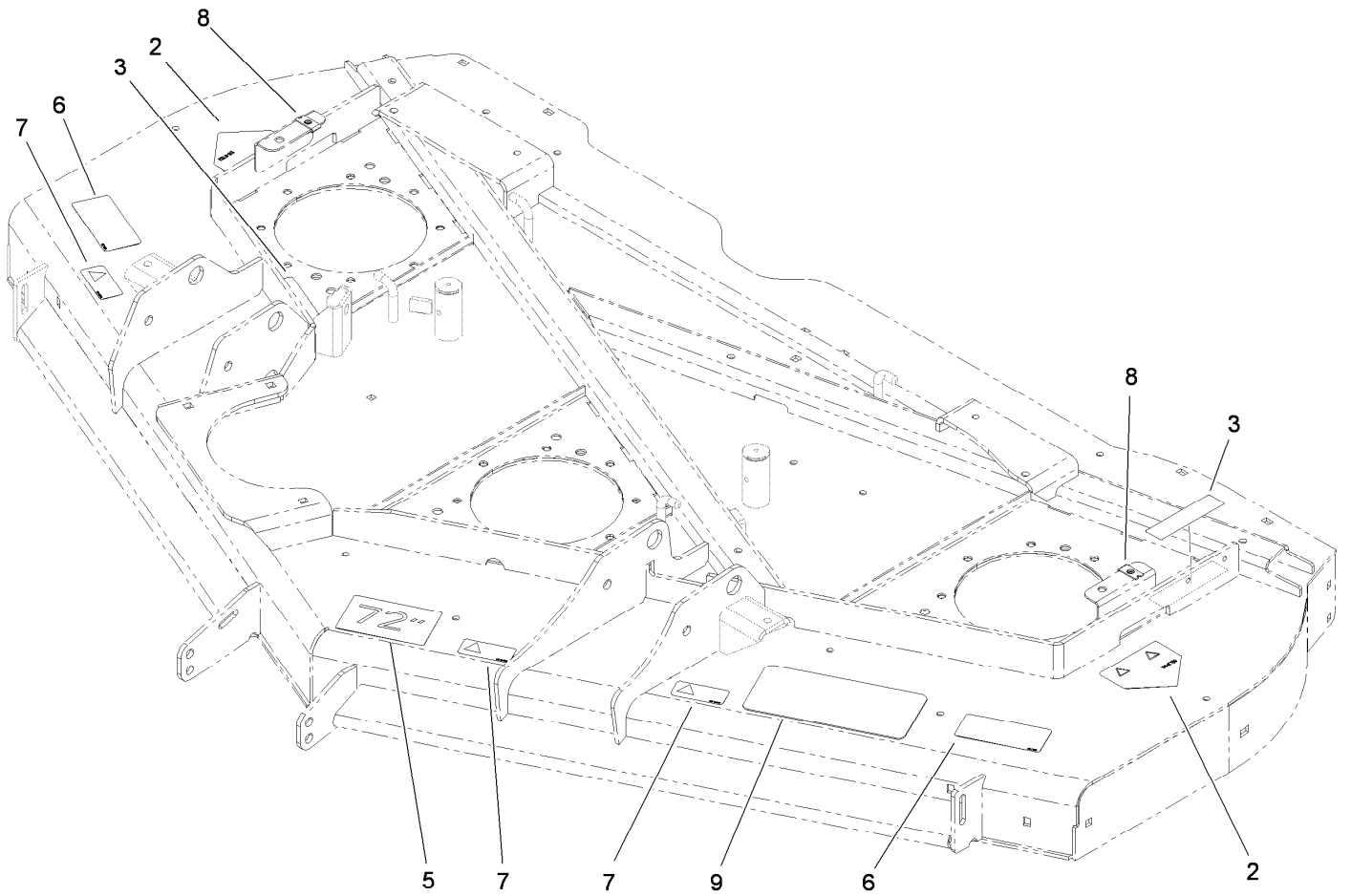
| <i>Ref.</i> | <i>Part Number</i> | <i>Qty.</i> | <i>Description</i> |
|-------------|--------------------|-------------|--------------------|
| 1 | 32180-030 | 2 | Clip-Tie |
| 2 | 3290-379 | 7 | Tie-Cable |



Roller, Belt and Pulley Assembly

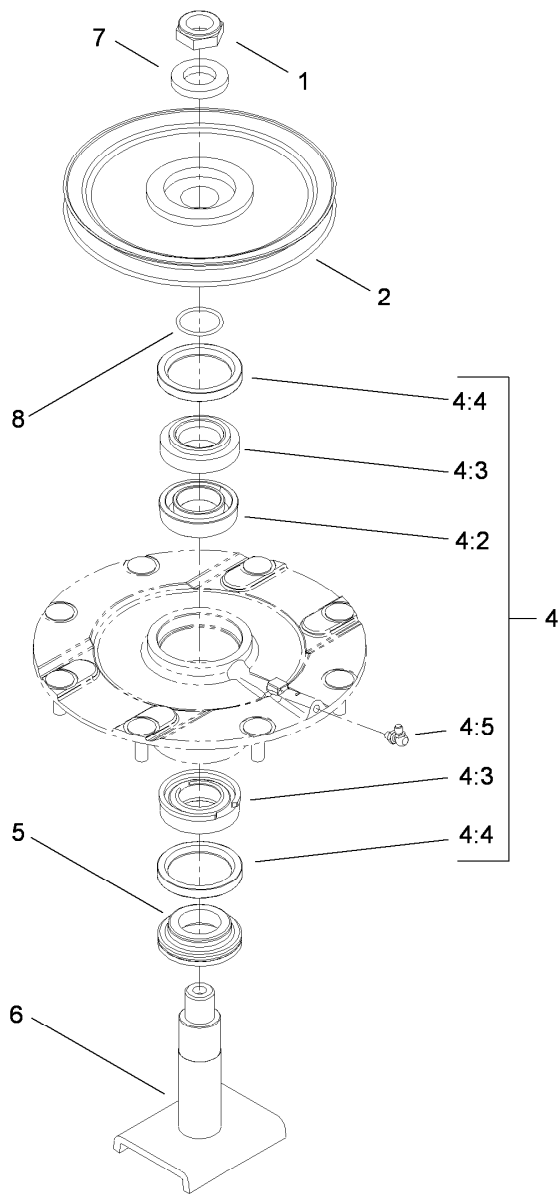
| Ref. | Part Number | Qty. | Description | Ref. | Part Number | Qty. | Description |
|------|-------------|------|------------------------|------|-------------|------|---------------------------|
| 1 | 108-9903 | 1 | Deck ASM | 24 | 119-4549 | 1 | High-Driven Spindle ASM |
| 2 | 100-3102 | 1 | Washer-Flat | 25 | 119-4548 | 1 | Double Driven Spindle ASM |
| 4 | 3234-42 | 1 | Screw-HHF | 26 | 108-1926 | 2 | Washer |
| 6 | 3296-45 | 2 | Nut-Lock, NI | 27 | 108-1921 | 2 | Spring-Torsion |
| 7 | 325-17 | 2 | Screw-HH | 28 | 108-1930 | 1 | Idler Arm ASM |
| 9 | 104-8301 | 29 | Nut-Flange, NI | 28:2 | 93-4510 | 2 | Bushing-Caster |
| 11 | 01-268-0160 | 1 | Pulley-Idler | 29 | 32120-84 | 2 | Ring-Snap, External |
| 13 | 68-6710 | 1 | Roller | 30 | 302-5 | 2 | Fitting-Grease |
| 14 | 119-4776 | 1 | Low-Driven Spindle ASM | 31 | 110-9593 | 1 | Belt - V |
| 15 | 108-1993 | 2 | Screw-HSBH | 32 | 3296-45 | 2 | Nut-Lock, NI |
| 16 | 112-1479 | 2 | Skid-Bumper, Deck | 34 | 29-4820 | 2 | Roller |
| 17 | 68-6840 | 1 | Shaft-Roller | 35 | 325-14 | 1 | Screw-HH |
| 18 | 107-4725 | 1 | Pulley | 36 | 3218-5 | 2 | Nut-Jam |
| 19 | 108-1924 | 2 | Spacer-Idler | 46 | 9136144 | 2 | Screw-HWHTF |
| 20 | 117-9176 | 1 | Idler Arm ASM | 47 | 3231-33 | 4 | Screw-CARR |
| 20:2 | 93-4510 | 2 | Bushing-Caster | 48 | 108-1958-03 | 3 | Blade-Rotary |
| 21 | 110-9592 | 1 | Belt-V | 48 | 112-9586-03 | 3 | Blade-Flat ● |
| 23 | 110-9596 | 1 | Pulley-Idler | | | | |

● Not illustrated



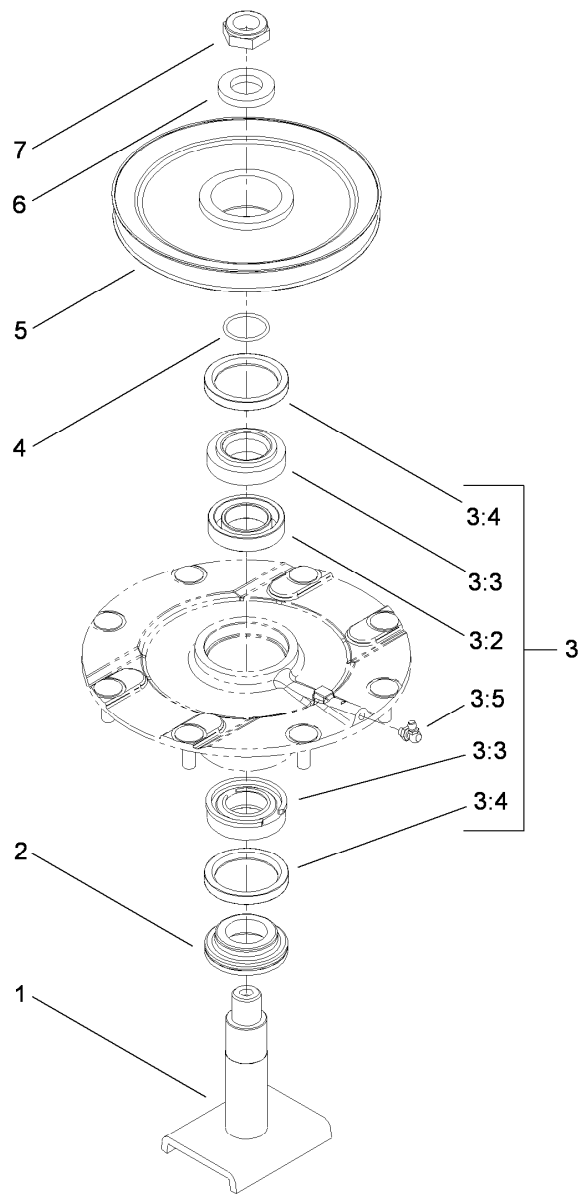
Deck Decal Assembly No. 108-9903

| <i>Ref.</i> | <i>Part Number</i> | <i>Qty.</i> | <i>Description</i> |
|-------------|--------------------|-------------|--------------------------|
| 2 | 106-6753 | 2 | Decal-Danger, Ce |
| 3 | 100-6578 | 2 | Decal-Danger |
| 5 | 57-0280 | 1 | Decal |
| 6 | 93-7818 | 2 | Decal-Torque, Blade Bolt |
| 7 | 93-6696 | 3 | Decal-Warning |
| 8 | 110-3510 | 4 | Nut-Retainer |
| 9 | 110-0988 | 1 | Tread-Floor, Side |



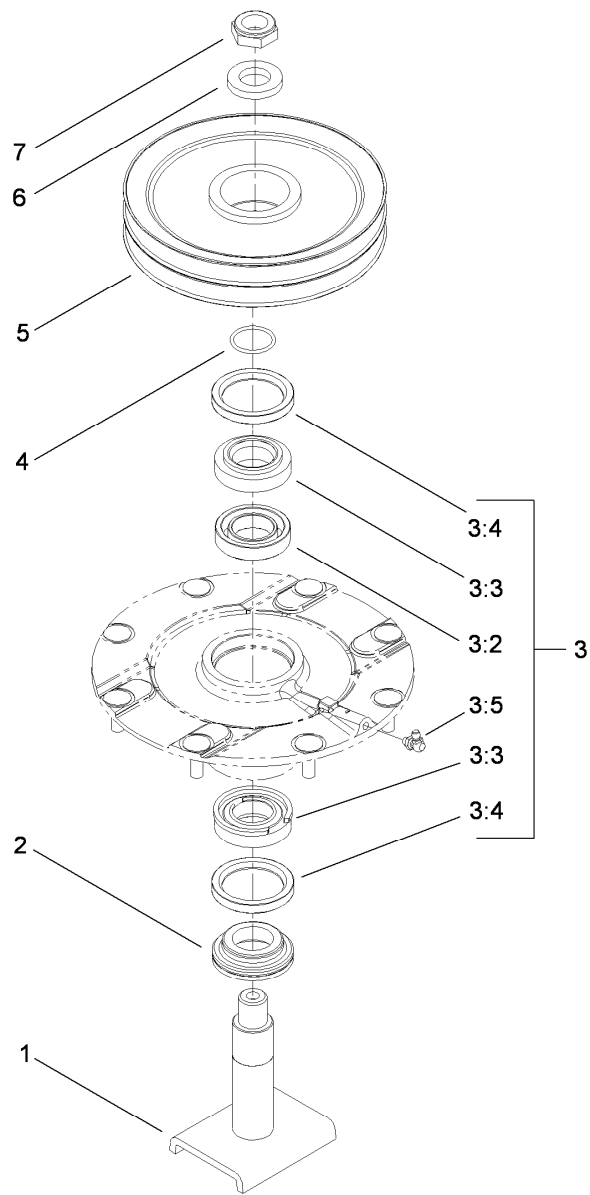
Low Driven Spindle Assembly No. 119-4776

| <i>Ref.</i> | <i>Part Number</i> | <i>Qty.</i> | <i>Description</i> |
|-------------|--------------------|-------------|-----------------------|
| 1 | 3296-60 | 1 | Nut-Lock, NI |
| 2 | 104-3546 | 1 | Pulley-Driven, Low |
| 4 | 119-4775 | 1 | Spindle Housing ASM |
| 4:2 | 104-3549 | 1 | Bearing Spacer Set |
| 4:3 | 110-8297 | 1 | Bearing ASM |
| 4:4 | 253-154 | 2 | Seal-Oil |
| 4:5 | 302-60 | 1 | Fitting-Grease |
| 5 | 69-6950 | 1 | Spacer-Shaft, Spindle |
| 6 | 104-3554 | 1 | Shaft-Spindle |
| 7 | 104-8322 | 1 | Washer-Hardened |
| 8 | 106-7159 | 1 | O-Ring |



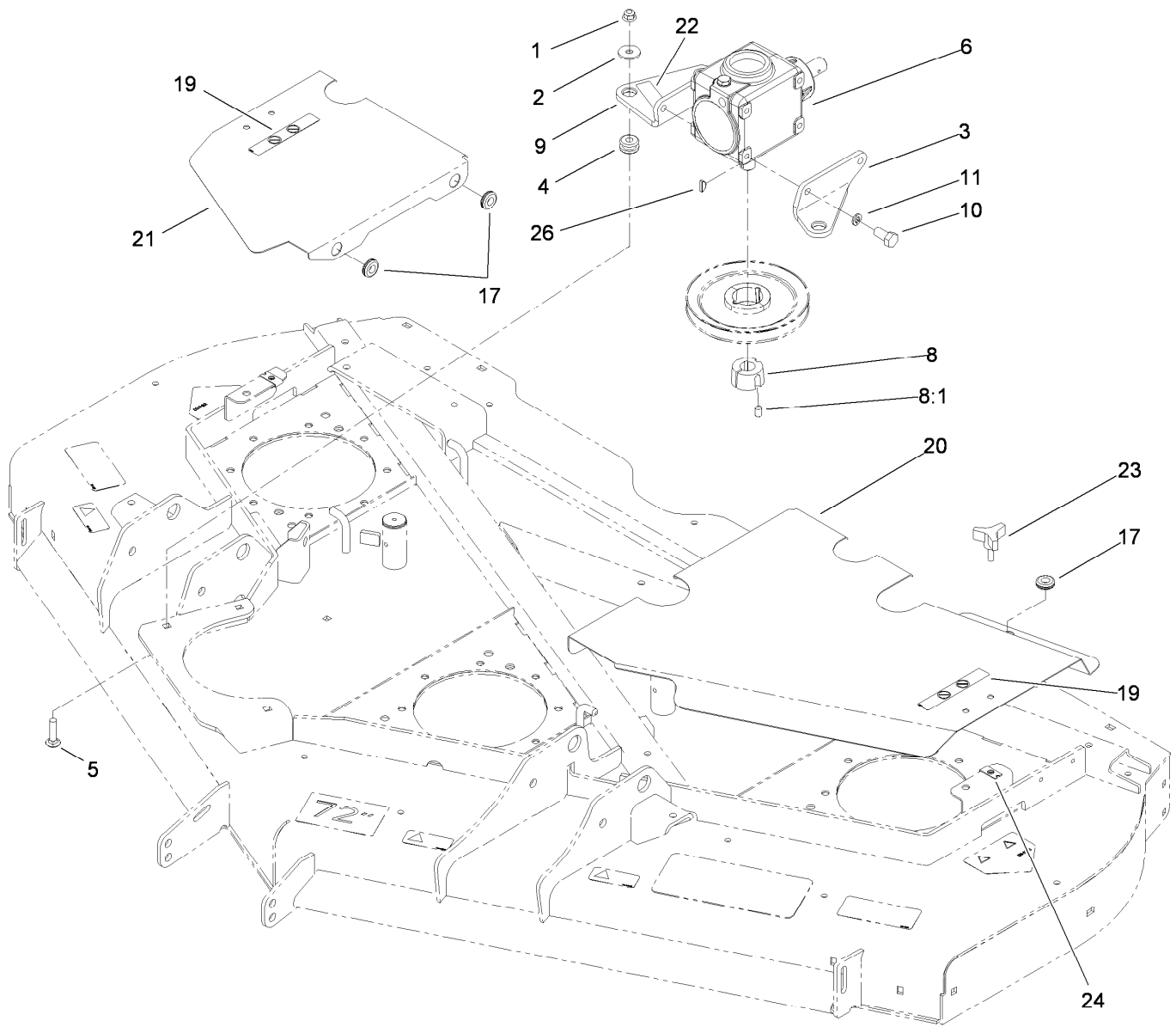
High Driven Spindle Assembly No. 119-4549

| <i>Ref.</i> | <i>Part Number</i> | <i>Qty.</i> | <i>Description</i> |
|-------------|--------------------|-------------|-----------------------|
| 1 | 104-3554 | 1 | Shaft-Spindle |
| 2 | 69-6950 | 1 | Spacer-Shaft, Spindle |
| 3 | 119-4775 | 1 | Spindle Housing ASM |
| 3:2 | 104-3549 | 1 | Bearing Spacer Set |
| 3:3 | 110-8297 | 1 | Bearing ASM |
| 3:4 | 253-154 | 2 | Seal-Oil |
| 3:5 | 302-60 | 1 | Fitting-Grease |
| 4 | 106-7159 | 1 | O-Ring |
| 5 | 104-3548 | 1 | Pulley-Driven, High |
| 6 | 104-8322 | 1 | Washer-Hardened |
| 7 | 3296-60 | 1 | Nut-Lock, NI |



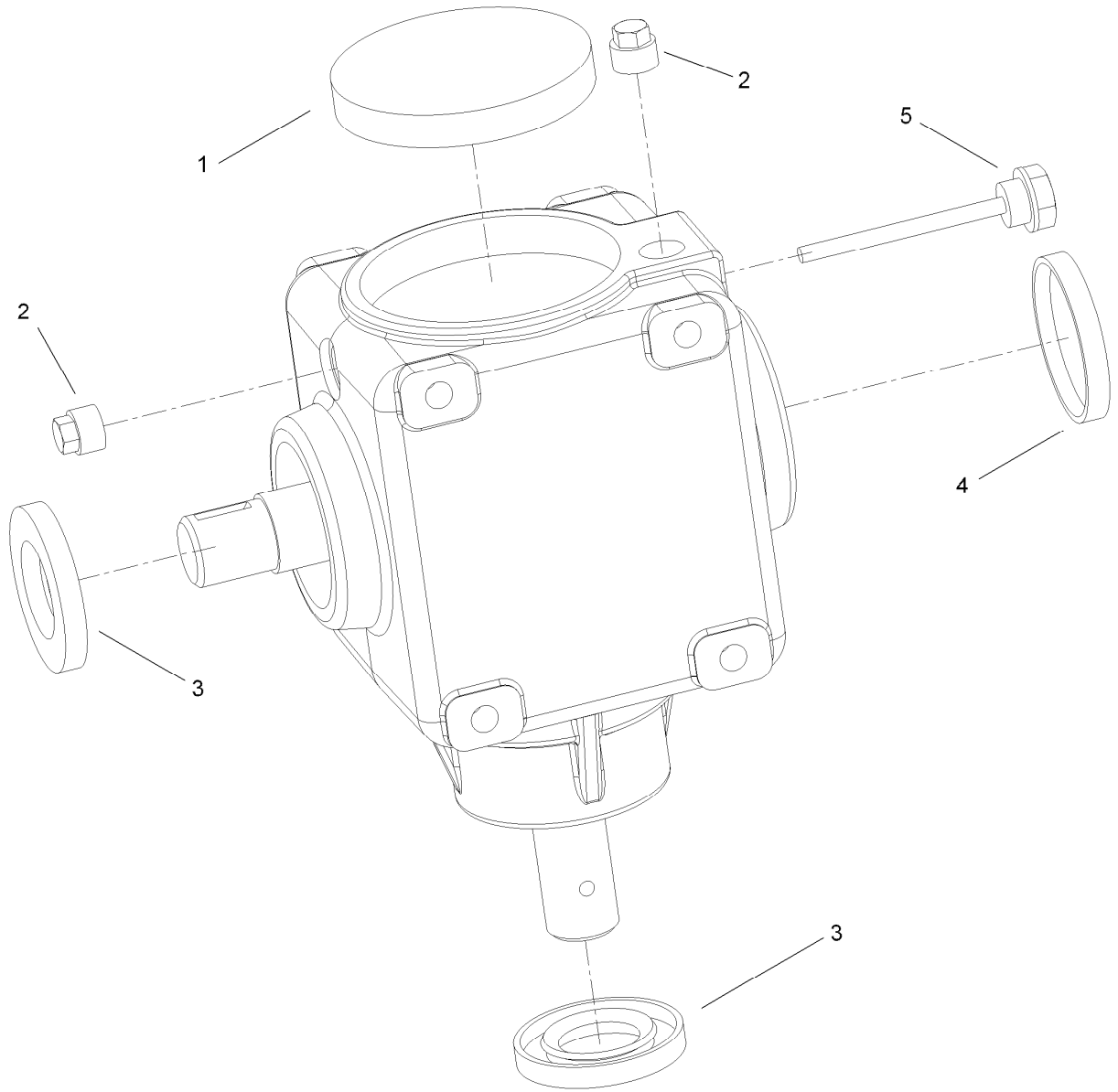
Double Driven Spindle Assembly No. 119-4548

| <i>Ref.</i> | <i>Part Number</i> | <i>Qty.</i> | <i>Description</i> |
|-------------|--------------------|-------------|-----------------------|
| 1 | 104-3554 | 1 | Shaft-Spindle |
| 2 | 69-6950 | 1 | Spacer-Shaft, Spindle |
| 3 | 119-4775 | 1 | Spindle Housing ASM |
| 3:2 | 104-3549 | 1 | Bearing Spacer Set |
| 3:3 | 110-8297 | 1 | Bearing ASM |
| 3:4 | 253-154 | 2 | Seal-Oil |
| 3:5 | 302-60 | 1 | Fitting-Grease |
| 4 | 106-7159 | 1 | O-Ring |
| 5 | 104-3547 | 1 | Pulley-Driven, Double |
| 6 | 104-8322 | 1 | Washer-Hardened |
| 7 | 3296-60 | 1 | Nut-Lock, NI |



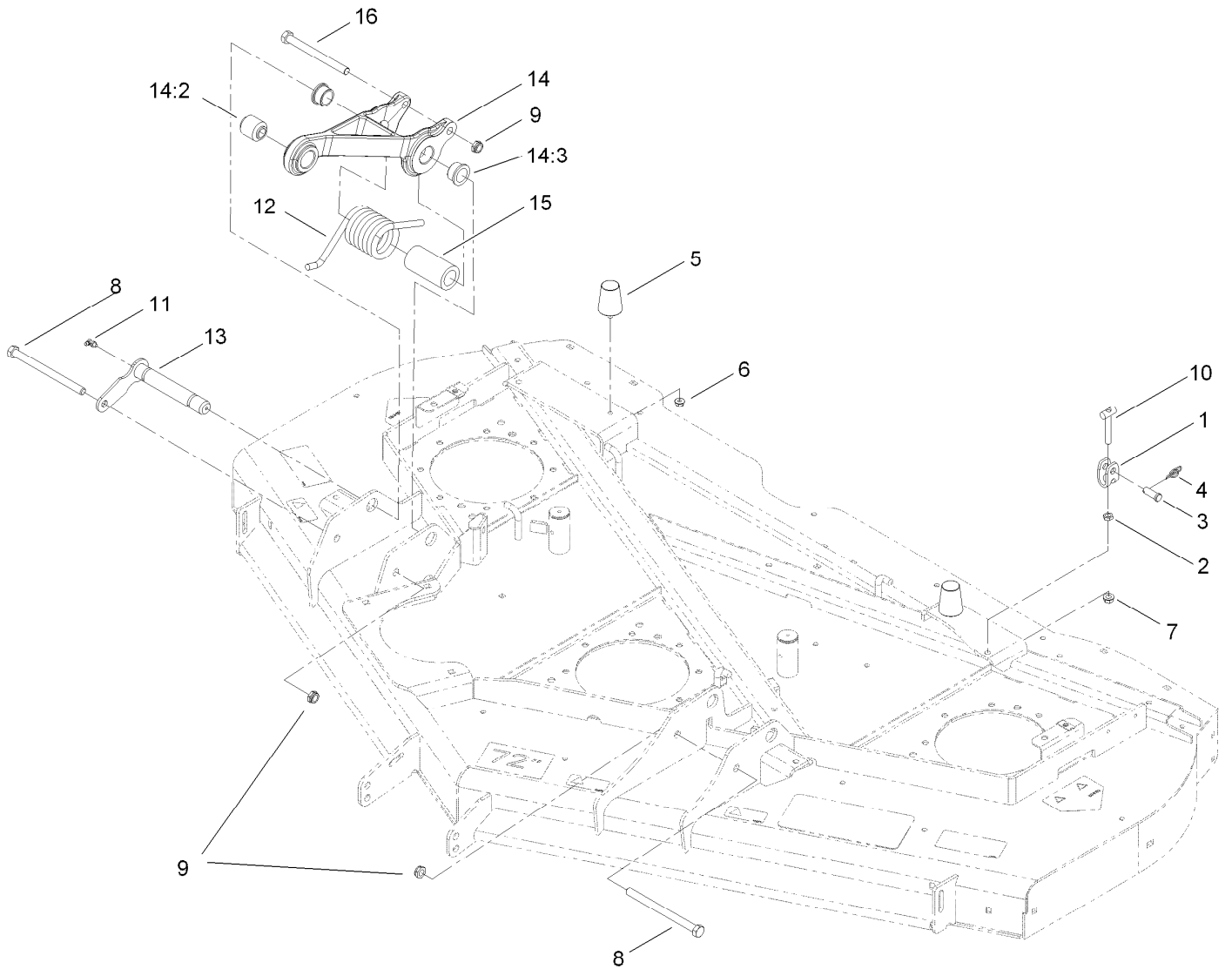
Cover and Gearbox Assembly

| <i>Ref.</i> | <i>Part Number</i> | <i>Qty.</i> | <i>Description</i> | <i>Ref.</i> | <i>Part Number</i> | <i>Qty.</i> | <i>Description</i> |
|-------------|--------------------|-------------|---------------------|-------------|--------------------|-------------|--------------------|
| 1 | 104-8301 | 3 | Nut-Flange, NI | 11 | 3253-21 | 4 | Washer-Lock |
| 2 | 63-8410 | 3 | Washer | 17 | 112-9559 | 5 | Grommet |
| 3 | 110-6384-03 | 1 | Bracket-Gearbox, LH | 19 | 93-6687 | 2 | Decal-No Step |
| 4 | 63-9750 | 3 | Mount | 20 | 112-1450-03 | 1 | Cover-Deck, LH |
| 5 | 3231-26 | 3 | Screw-CARR | 21 | 112-1451-03 | 1 | Cover-Deck, RH |
| 6 | 117-9245-03 | 1 | Gearbox ASM | 22 | 93-6697 | 1 | Decal-Lube |
| 8 | 23-1640 | 1 | Bushing-Taperlock | 23 | 106-2240 | 2 | Knob |
| 8:1 | 3247-4 | 2 | Screw-Set | 24 | 110-3510 | 2 | Nut-Retainer |
| 9 | 110-6385-03 | 1 | Bracket-Gearbox, RH | 26 | 3257-5 | 1 | Key-Woodruff |
| 10 | 323-4 | 4 | Screw-HH | | | | |



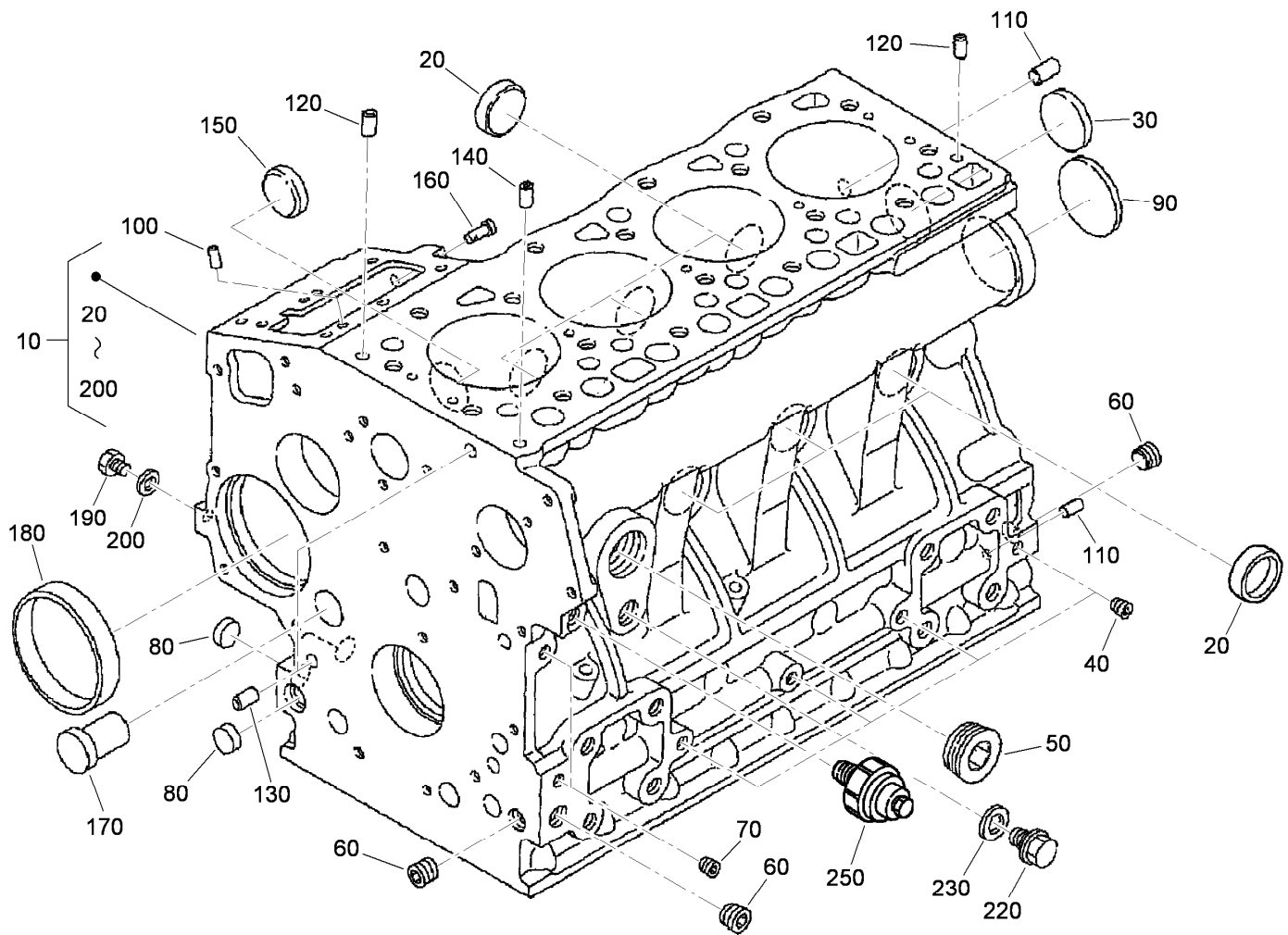
Gearbox Assembly No. 117-9245-03

| <i>Ref.</i> | <i>Part Number</i> | <i>Qty.</i> | <i>Description</i> |
|-------------|--------------------|-------------|-----------------------|
| 1 | 107-2932 | 1 | Cap-Oil |
| 2 | 107-2933 | 2 | Plug |
| 3 | 117-9247 | 2 | Seal |
| 4 | 107-2935 | 1 | Cap-Oil |
| 5 | 110-8283 | 1 | Plug-Filler, Dipstick |



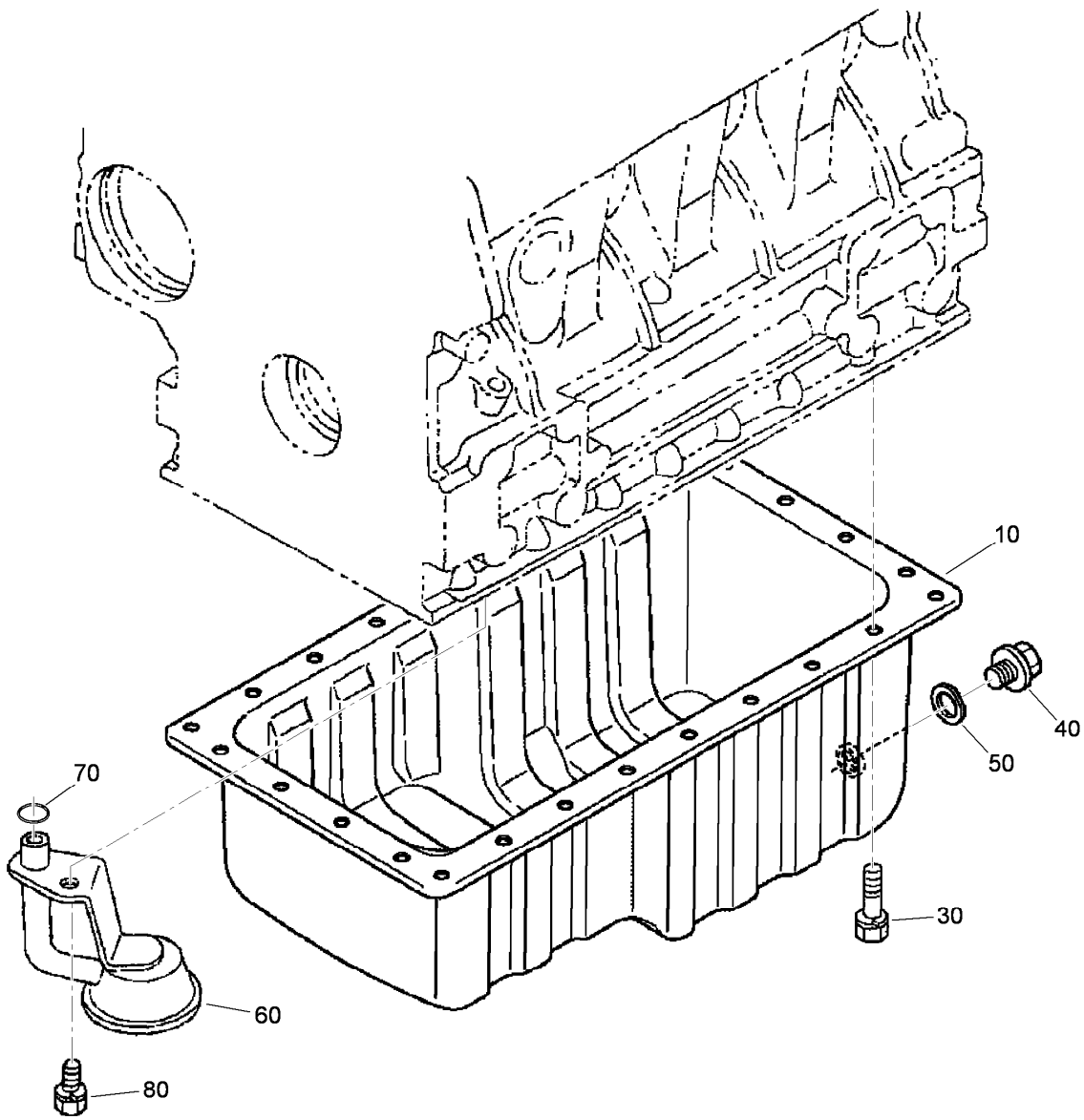
Adjustment Link and Bumper Assembly

| <i>Ref.</i> | <i>Part Number</i> | <i>Qty.</i> | <i>Description</i> | <i>Ref.</i> | <i>Part Number</i> | <i>Qty.</i> | <i>Description</i> |
|-------------|--------------------|-------------|--------------------|-------------|--------------------|-------------|--------------------|
| 1 | 115-1429 | 4 | Yoke-Clevis | 10 | 115-1431 | 4 | T-Bar ASM |
| 2 | 3218-3 | 4 | Nut-Jam | 11 | 302-60 | 4 | Fitting-Grease |
| 3 | 700601 | 4 | Pin-Clevis | 12 | 110-9828 | 2 | Spring-Torsion |
| 4 | 112-1491 | 4 | Pin-Cotter | 13 | 112-1622 | 2 | Pin |
| 5 | 110-5070 | 2 | Bumper | 14 | 112-1625 | 2 | Pull Link ASM |
| 6 | 104-8300 | 2 | Nut-Flange, NI | 14:2 | 107-2328 | 1 | Bushing |
| 7 | 3290-357 | 4 | Nut-HHF, Whiz | 14:3 | 114-5680 | 2 | Bushing-Flange |
| 8 | 325-33 | 2 | Screw-HH | 15 | 110-9845 | 2 | Spacer-Plain |
| 9 | 3296-45 | 4 | Nut-Lock, NI | 16 | 325-22 | 2 | Screw-HH |



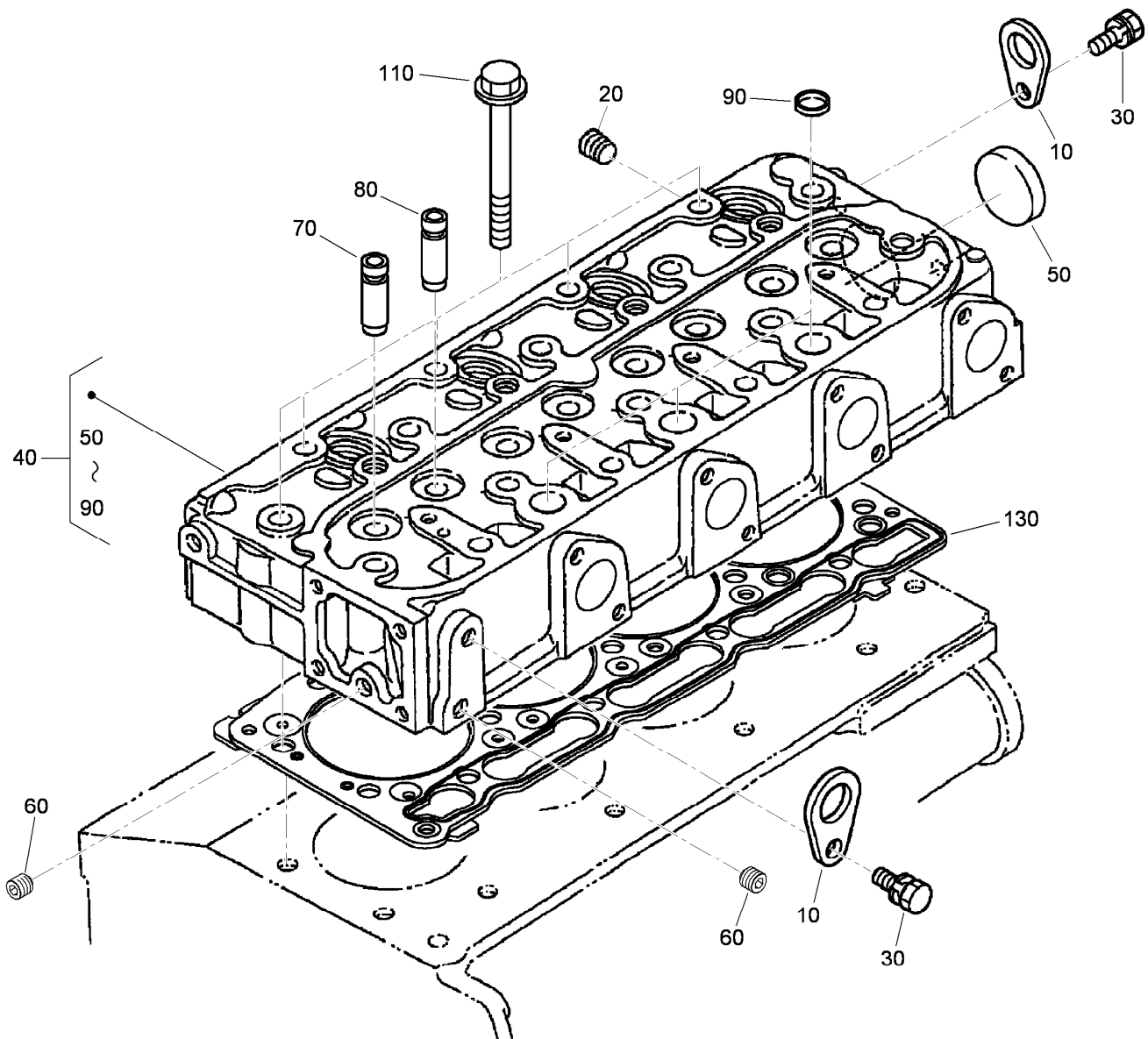
Crankcase Assembly

| <i>Ref.</i> | <i>Part Number</i> | <i>Qty.</i> | <i>Description</i> | <i>Ref.</i> | <i>Part Number</i> | <i>Qty.</i> | <i>Description</i> |
|-------------|--------------------|-------------|--------------------|-------------|--------------------|-------------|------------------------|
| 10 | 120-2558 | 1 | Crankcase ASM | 130 | 98-9387 | 2 | Pin-Pipe |
| 20 | 98-9398 | 6 | Cap-Sealing | 140 | 98-9539 | 1 | Pin-Pipe |
| 30 | 98-7539 | 1 | Cap-Sealing | 150 | 98-9599 | 1 | Plug |
| 40 | 98-7540 | 4 | Plug | 160 | 105-3796 | 1 | Pin-Spring, Start |
| 50 | 105-3779 | 1 | Plug | 170 | 98-9675 | 1 | Plug |
| 60 | 98-9597 | 3 | Plug | 180 | 98-9656 | 1 | Bushing-Governor, Gear |
| 70 | 98-7487 | 2 | Plug | 190 | 120-2559 | 1 | Plug |
| 80 | 98-9379 | 3 | Plug-Expansion | 200 | 98-7428 | 1 | Gasket |
| 90 | 98-9668 | 1 | Plug-Expansion | 220 | 99-3447 | 1 | Plug |
| 100 | 98-9375 | 2 | Pin-Straight | 230 | 106-7056 | 1 | Gasket |
| 110 | 98-9377 | 2 | Pin-Straight | 250 | 98-9416 | 1 | Switch-Oil |
| 120 | 98-9376 | 2 | Pin-Straight | | | | |



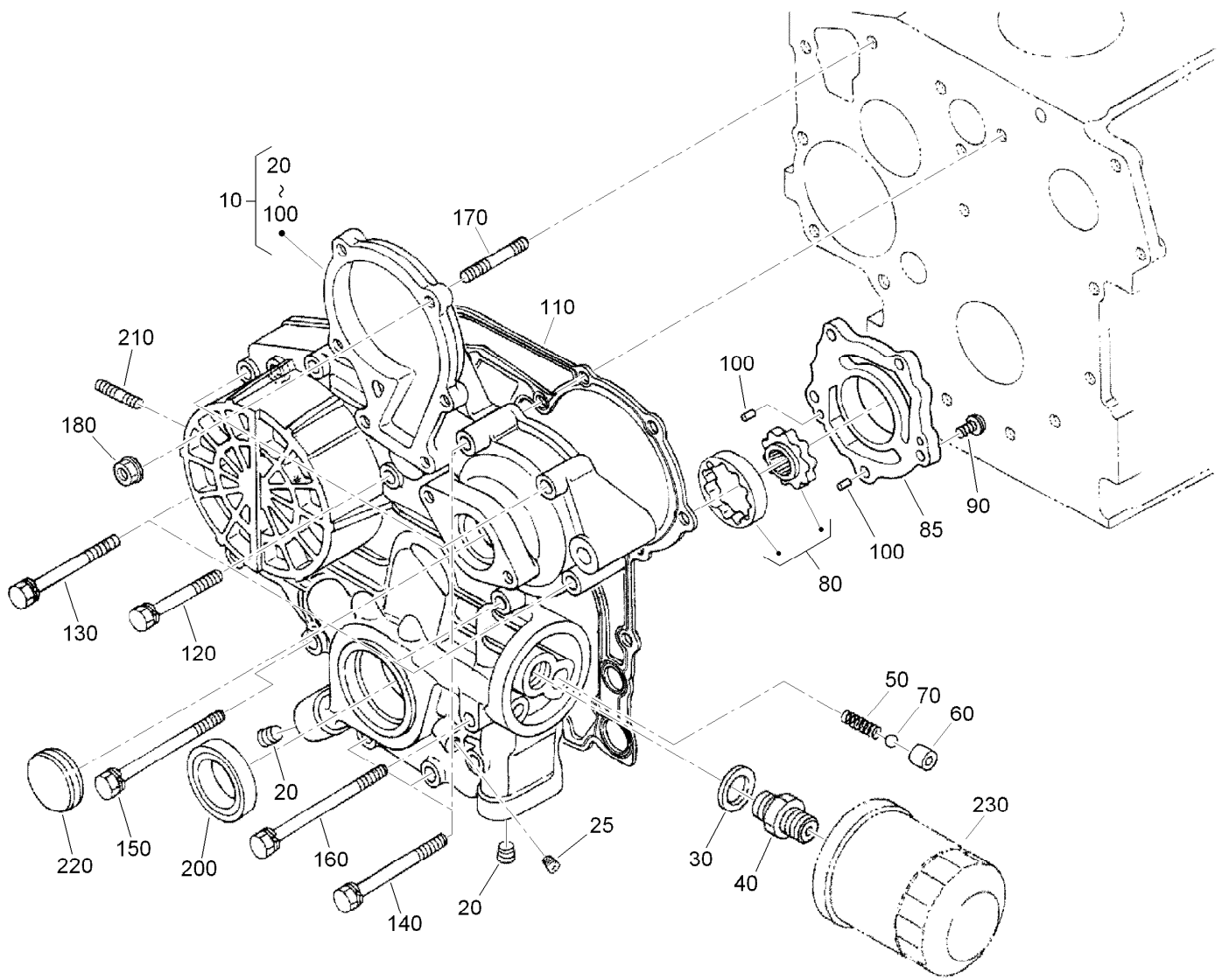
Oil Pan Assembly

| <i>Ref.</i> | <i>Part Number</i> | <i>Qty.</i> | <i>Description</i> |
|-------------|--------------------|-------------|--------------------|
| 10 | 112-0186 | 1 | Oil Pan ASM |
| 30 | 98-9351 | 26 | Bolt |
| 40 | 114-8151 | 1 | Plug-Drain |
| 50 | 98-7524 | 1 | Gasket |
| 60 | 112-7003 | 1 | Head-Filter, Oil |
| 70 | 105-3776 | 1 | O-Ring |
| 80 | 98-7526 | 1 | Bolt |



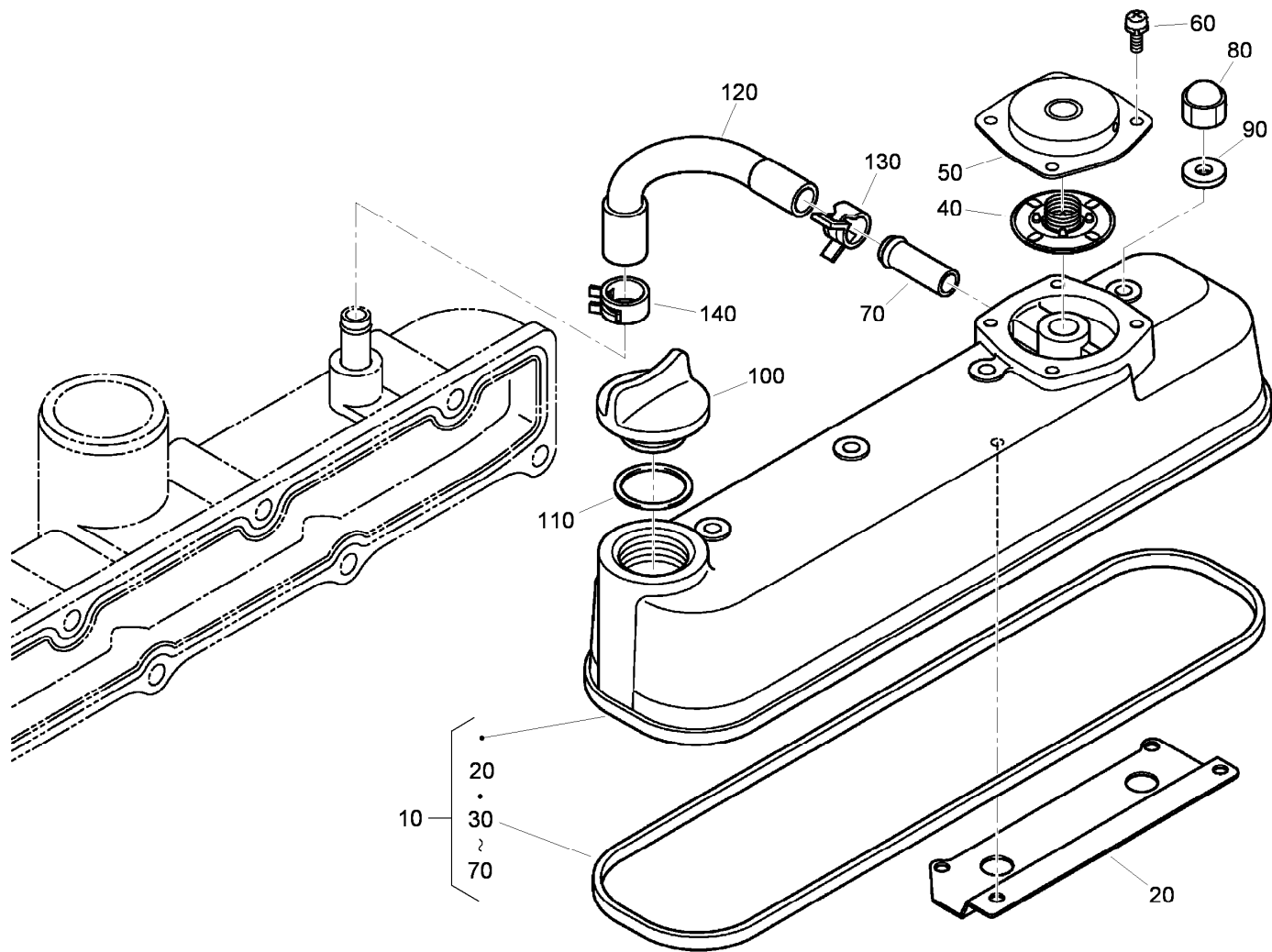
Cylinder Head Assembly

| <i>Ref.</i> | <i>Part Number</i> | <i>Qty.</i> | <i>Description</i> |
|-------------|--------------------|-------------|-----------------------|
| 10 | 98-7531 | 2 | Hook-Engine |
| 20 | 98-9444 | 1 | Plug |
| 30 | 100-9195 | 2 | Bolt |
| 40 | 115-3012 | 1 | Cylinder Head ASM |
| 50 | 105-3705 | 1 | Cap-Sealing |
| 60 | 98-7540 | 2 | Plug |
| 70 | 107-9066 | 4 | Guide-Valve, Inlet |
| 80 | 107-9067 | 4 | Guide-Valve, Exhaust |
| 90 | 98-9389 | 3 | Cap-Sealing |
| 110 | 98-9479 | 18 | Bolt-Head, Cylinder |
| 130 | 108-2855 | 1 | Gasket-Head, Cylinder |



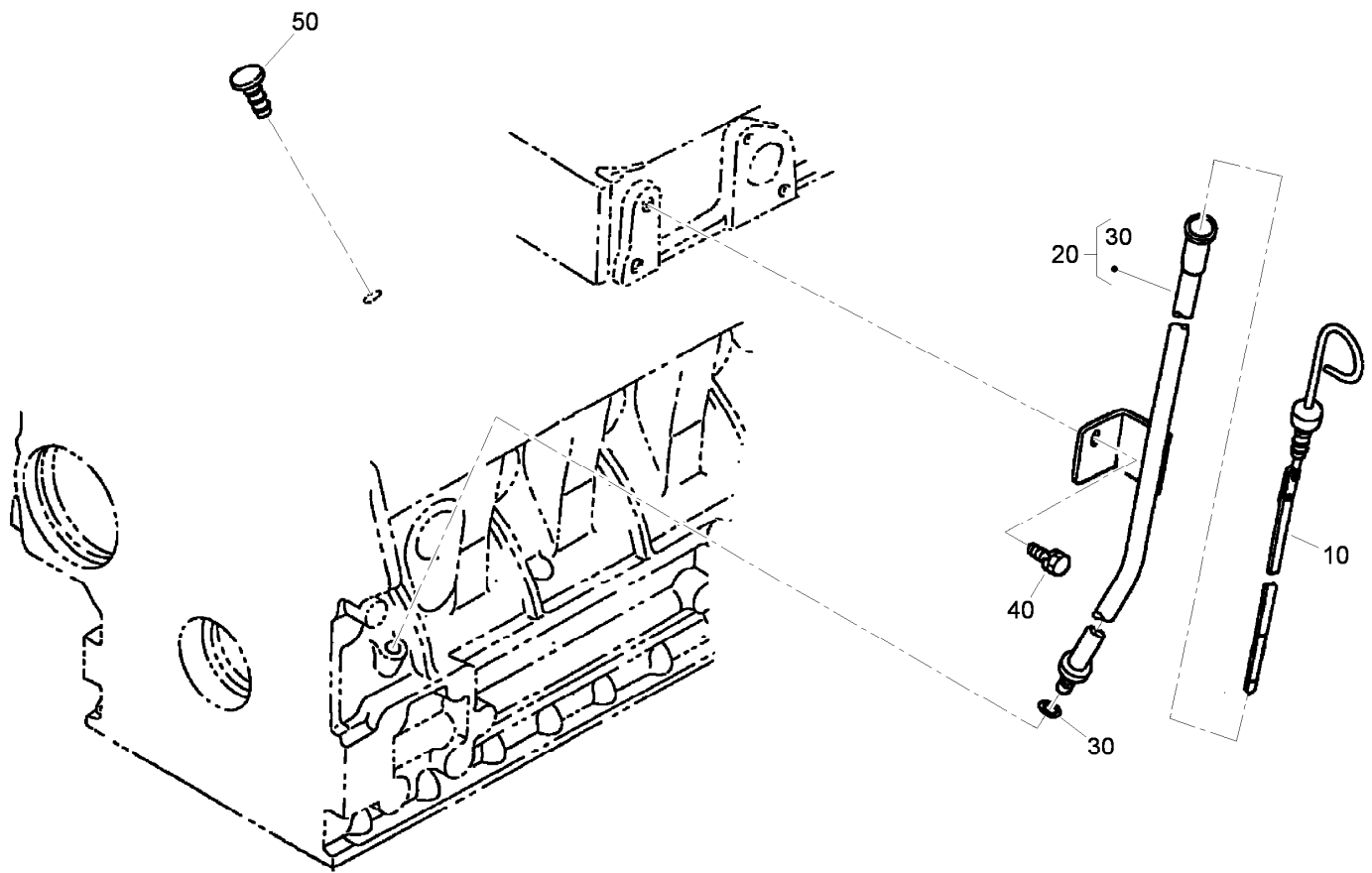
Gear Case Assembly

| Ref. | Part Number | Qty. | Description | Ref. | Part Number | Qty. | Description |
|------|-------------|------|--------------------|------|-------------|------|-------------------|
| 10 | 115-4105 | 1 | Gear Case ASM | 110 | 98-9633 | 1 | Gasket-Case, Gear |
| 20 | 98-9598 | 2 | Plug | 120 | 107-9073 | 3 | Bolt |
| 25 | 98-7487 | 1 | Plug | 130 | 105-3797 | 4 | Bolt |
| 30 | 98-7562 | 1 | Washer-Plain | 140 | 98-9356 | 4 | Bolt |
| 40 | 98-9388 | 1 | Joint-Pipe | 150 | 107-9074 | 1 | Bolt |
| 50 | 98-9544 | 1 | Spring | 160 | 98-9586 | 1 | Bolt |
| 60 | 98-9543 | 1 | Seat-Valve | 170 | 105-3709 | 1 | Stud |
| 70 | 98-9380 | 1 | Ball | 180 | 100-2203 | 1 | Nut-Flange |
| 80 | 98-9540 | 1 | Oil Pump Rotor ASM | 200 | 119-8038 | 1 | Seal-Oil |
| 85 | 107-9069 | 1 | Cover-Pump, Oil | 210 | 105-3710 | 2 | Stud |
| 90 | 107-9071 | 5 | Screw | 220 | 98-9641 | 1 | Cover-Case, Gear |
| 100 | 107-9072 | 2 | Pin-Straight | 230 | 108-3841 | 1 | Filter-Oil |



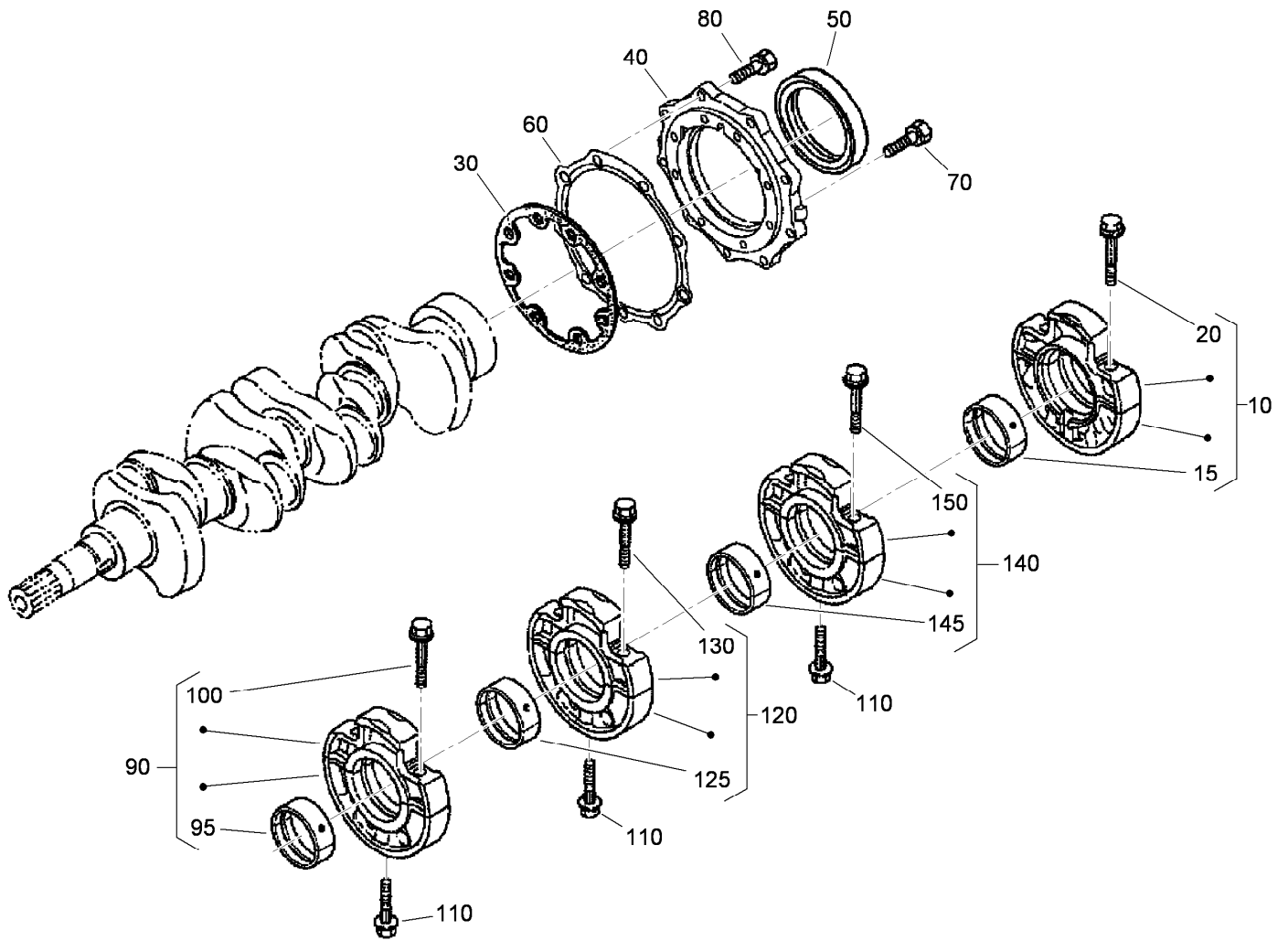
Cylinder Head Cover Assembly

| Ref. | Part Number | Qty. | Description |
|------|-------------|------|-------------------------|
| 10 | 115-4130 | 1 | Cylinder Head Cover ASM |
| 20 | 108-2857 | 1 | Shield-Breather |
| 30 | 105-3712 | 1 | Gasket-Cover, Head |
| 40 | 110-3715 | 1 | Valve-Breather |
| 50 | 110-3714 | 1 | Cover-Breather |
| 60 | 98-9364 | 4 | Screw (With Washer) |
| 70 | 98-7766 | 1 | Pipe-Return, Water |
| 80 | 98-9455 | 4 | Nut-Cap |
| 90 | 98-9454 | 4 | Gasket |
| 100 | 107-9075 | 1 | Plug-Filler, Oil |
| 110 | 120-2560 | 1 | O-Ring |
| 120 | 108-2858 | 1 | Tube-Breather |
| 130 | 108-2859 | 1 | Clamp-Hose |
| 140 | 108-2860 | 1 | Clamp-Hose |



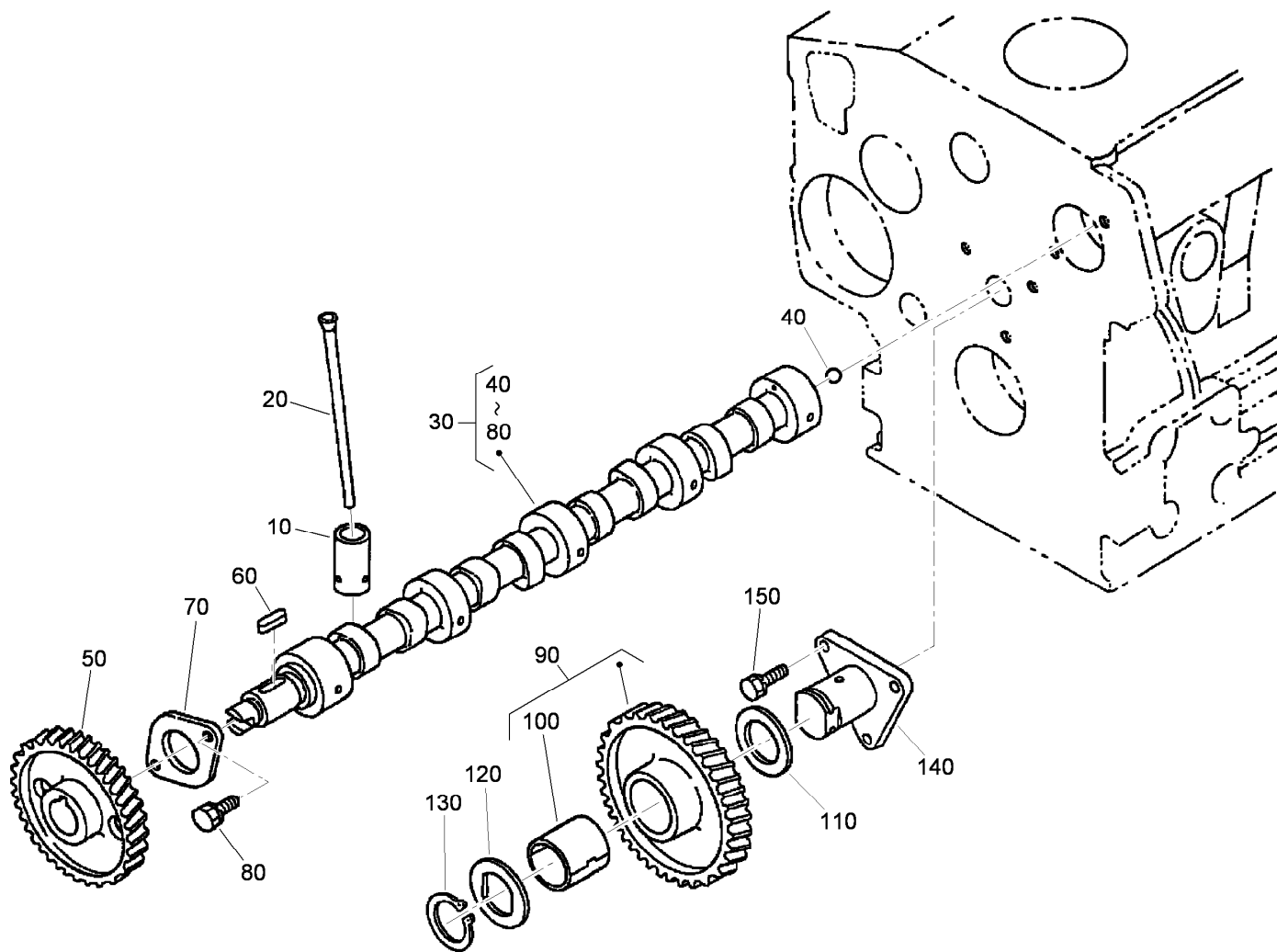
Dipstick and Guide Assembly

| <i>Ref.</i> | <i>Part Number</i> | <i>Qty.</i> | <i>Description</i> |
|-------------|--------------------|-------------|---------------------|
| 10 | 98-9670 | 1 | Gauge-Oil |
| 20 | 98-9672 | 1 | Oil Gauge Guide ASM |
| 30 | 98-9722 | 1 | O-Ring |
| 40 | 100-9195 | 1 | Bolt |
| 50 | 110-3720 | 1 | Plug-Gauge, Oil |



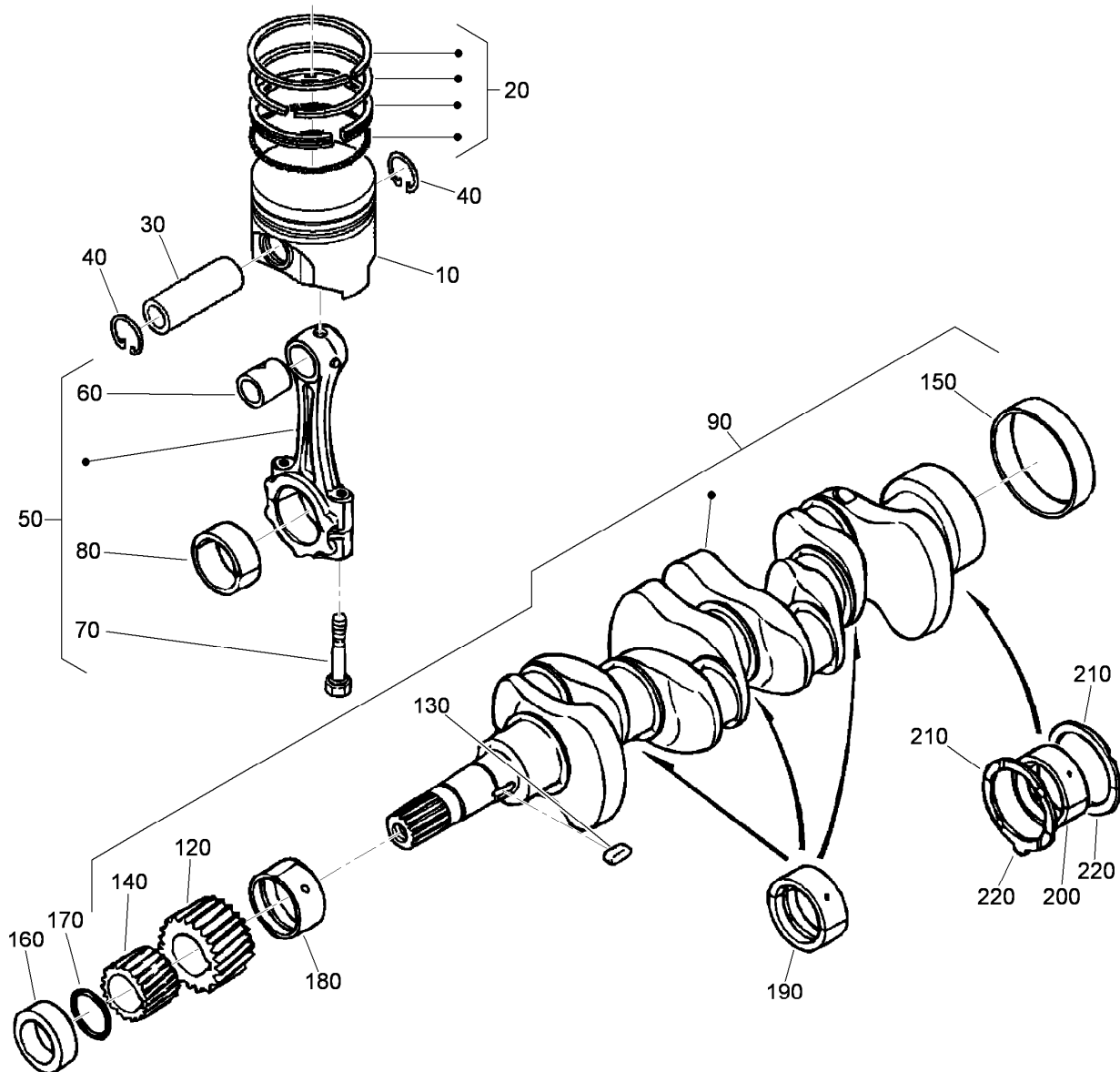
Main Bearing Case Assembly

| <i>Ref.</i> | <i>Part Number</i> | <i>Qty.</i> | <i>Description</i> | <i>Ref.</i> | <i>Part Number</i> | <i>Qty.</i> | <i>Description</i> |
|-------------|--------------------|-------------|------------------------|-------------|--------------------|-------------|----------------------------|
| 10 | 112-7026 | 1 | Wheel Bearing Case ASM | 95 | 98-9524 | 1 | Metal-Crankshaft (STD Set) |
| 15 | 115-4121 | 1 | Metal-Crankshaft (STD) | 100 | 98-9484 | 2 | Bolt-Case, Bearing |
| 20 | 98-9484 | 2 | Bolt-Case, Bearing | 110 | 98-9485 | 3 | Bolt-Case, Bearing |
| 30 | 98-9634 | 1 | Gasket-Case, Bearing | 120 | 115-4107 | 1 | Main Bearing Case ASM |
| 40 | 112-7046 | 1 | Cover-Case, Bearing | 125 | 98-9524 | 1 | Metal-Crankshaft (STD Set) |
| 50 | 112-0180 | 1 | Seal-Oil | 130 | 98-9484 | 2 | Bolt-Case, Bearing |
| 60 | 112-7037 | 1 | Gasket-Cover, Case | 140 | 115-4108 | 1 | Main Bearing Case ASM |
| 70 | 98-9352 | 8 | Bolt | 145 | 98-9524 | 1 | Metal-Crankshaft (STD Set) |
| 80 | 98-7568 | 9 | Bolt | 150 | 98-9484 | 2 | Bolt-Case, Bearing |
| 90 | 115-4106 | 1 | Main Bearing Case ASM | | | | |



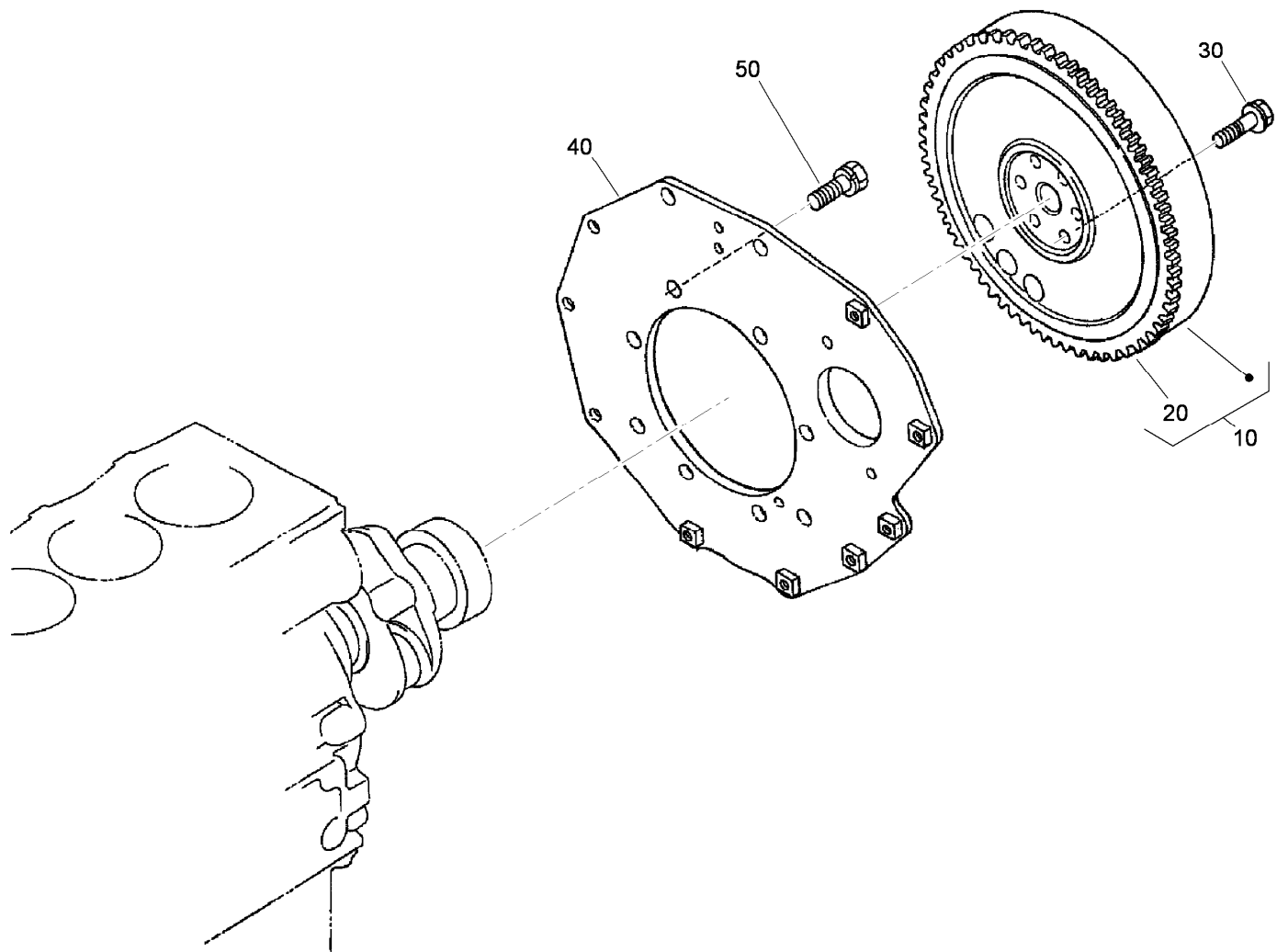
Cam Shaft and Idle Gear Assembly

| Ref. | Part Number | Qty. | Description |
|------|-------------|------|--------------------|
| 10 | 112-0185 | 8 | Tappet |
| 20 | 98-9509 | 8 | Rod-Push |
| 30 | 120-3116 | 1 | Camshaft ASM |
| 40 | 110-3729 | 1 | Ball |
| 50 | 98-9512 | 1 | Gear-Cam |
| 60 | 98-9378 | 1 | Key-Feather |
| 70 | 98-9510 | 1 | Stopper-Camshaft |
| 80 | 98-7692 | 2 | Bolt |
| 90 | 117-7584 | 1 | Idler Gear ASM |
| 100 | 117-7585 | 1 | Bushing-Gear, Idle |
| 110 | 98-9535 | 1 | Collar-Gear, Idle |
| 120 | 98-9536 | 1 | Collar-Gear, Idle |
| 130 | 98-9534 | 1 | Circlip-Gear, Idle |
| 140 | 98-9533 | 1 | Shaft-Gear, Idle |
| 150 | 98-7692 | 3 | Bolt |



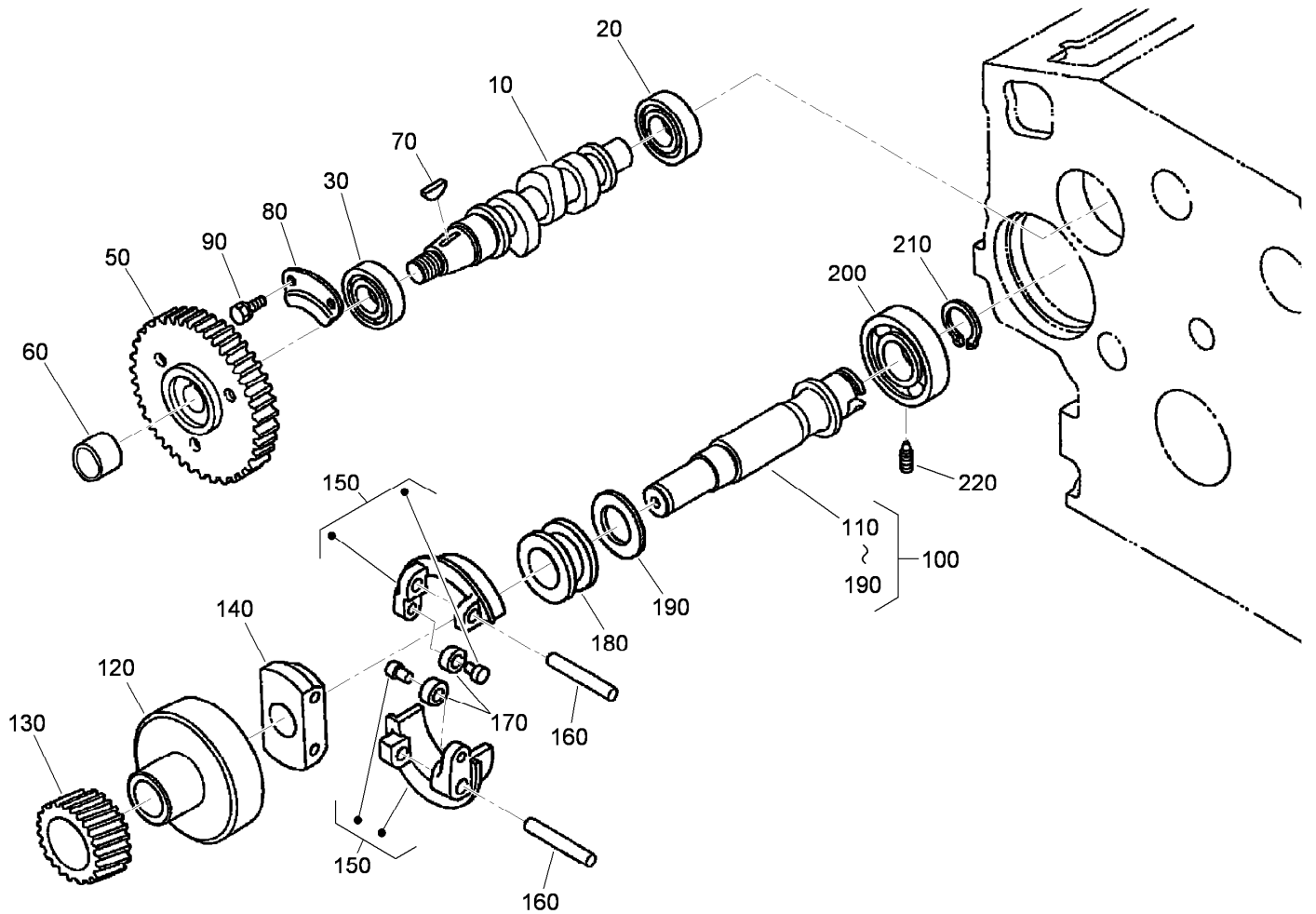
Piston and Crankshaft Assembly

| Ref. | Part Number | Qty. | Description | Ref. | Part Number | Qty. | Description |
|------|-------------|------|-------------------------|------|-------------|------|----------------------------|
| 10 | 112-8404 | 4 | Piston (STD) | 160 | 98-9521 | 1 | Collar-Crankshaft |
| 10 | 112-8414 | 4 | Piston (+0.5Mm) | 170 | 105-3783 | 1 | O-Ring |
| 20 | 98-9551 | 4 | Piston Ring ASM (STD) | 180 | 98-9523 | 1 | Metal Crankshaft (STD) |
| 20 | 108-1404 | 4 | Piston Ring ASM (0.5Mm) | 180 | 98-9528 | 1 | Bearing-Main (0.2Mm) |
| 30 | 98-9513 | 4 | Pin-Piston | 180 | 98-9529 | 1 | Bearing-Main (0.4Mm) |
| 40 | 98-9514 | 8 | Circlip-Pin, Piston | 190 | 98-9524 | 3 | Metal-Crankshaft (STD Set) |
| 50 | 115-3013 | 4 | Connecting Rod ASM | 190 | 98-9530 | 3 | Bearing-Main (0.2Mm) |
| 60 | 115-3014 | 4 | Bushing-Pin, Piston | 190 | 98-9531 | 3 | Bearing-Main (0.4Mm) |
| 70 | 98-9517 | 8 | Bolt-Rod, Connecting | 200 | 115-4121 | 1 | Metal-Crankshaft (STD) |
| 80 | 98-9520 | 4 | Bearing-Rod (0.4Mm) | 200 | 112-7039 | 1 | Metal-Crankshaft (0.2Mm) |
| 80 | 98-9519 | 4 | Bearing-Rod (0.2Mm) | 200 | 112-7040 | 1 | Metal-Crankshaft (-0.4Mm) |
| 80 | 98-9518 | 4 | Metal-Crankpin (STD) | 210 | 98-9413 | 2 | Bearing-Thrust (STD) |
| 90 | 120-2561 | 1 | Crankshaft ASM | 210 | 98-9414 | 2 | Bearing-Thrust (0.2Mm) |
| 120 | 117-7561 | 1 | Gear-Crankshaft | 210 | 98-9415 | 2 | Bearing-Thrust (0.4Mm) |
| 130 | 98-9666 | 1 | Key | 220 | 98-9688 | 2 | Bearing-Thrust (STD) |
| 140 | 98-9542 | 1 | Gear-Drive, Oil Pump | 220 | 98-9689 | 2 | Bearing-Thrust (0.2Mm) |
| 150 | 98-9522 | 1 | Sleeve-Crankshaft | 220 | 98-9690 | 2 | Bearing-Thrust (0.4Mm) |



Flywheel Assembly

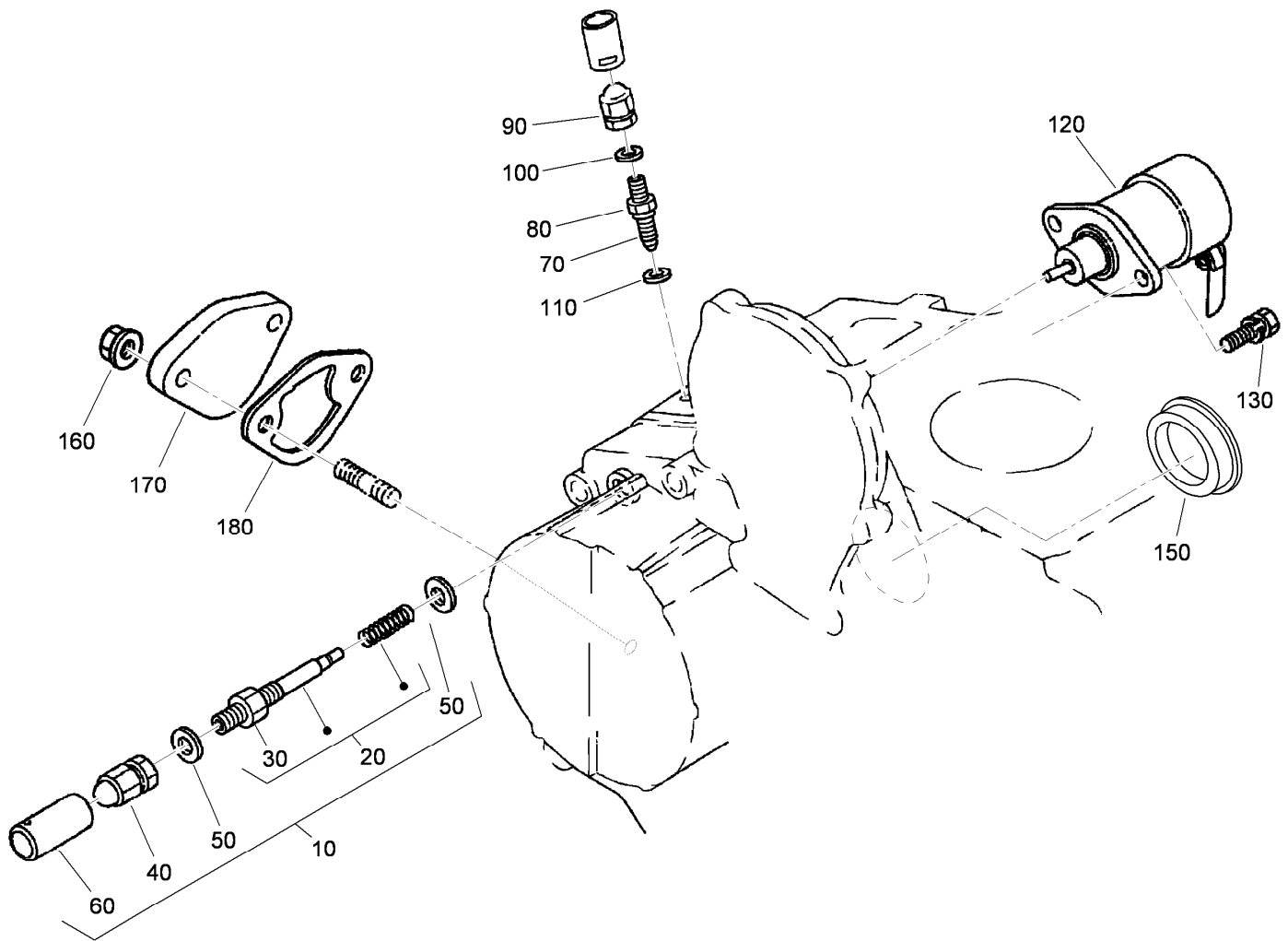
| <i>Ref.</i> | <i>Part Number</i> | <i>Qty.</i> | <i>Description</i> |
|-------------|--------------------|-------------|--------------------|
| 10 | 105-3721 | 1 | Flywheel ASM |
| 20 | 115-3015 | 1 | Gear-Ring |
| 30 | 98-9537 | 6 | Bolt-Flywheel |
| 40 | 98-9486 | 1 | Plate-End, Rear |
| 50 | 98-9392 | 8 | Bolt |



Fuel Camshaft and Governor Shaft Assembly

| Ref. | Part Number | Qty. | Description |
|------|-------------|------|------------------------|
| 10 | 105-3723 | 1 | Camshaft-Fuel |
| 20 | 107-9077 | 1 | Bearing-Ball |
| 30 | 107-9078 | 1 | Bearing-Ball |
| 50 | 120-2562 | 1 | Gear-Pump, Injection |
| 60 | 98-9590 | 1 | Nut-Cap |
| 70 | 98-9595 | 1 | Key-Woodruff |
| 80 | 98-9511 | 1 | Stopper-Fuel, Camshaft |
| 90 | 98-7692 | 2 | Bolt |
| 100 | 105-3724 | 1 | Governor Shaft ASM |
| 110 | 105-3725 | 1 | Shaft, Governor |
| 120 | 98-9562 | 1 | Holder-Gear, Governor |

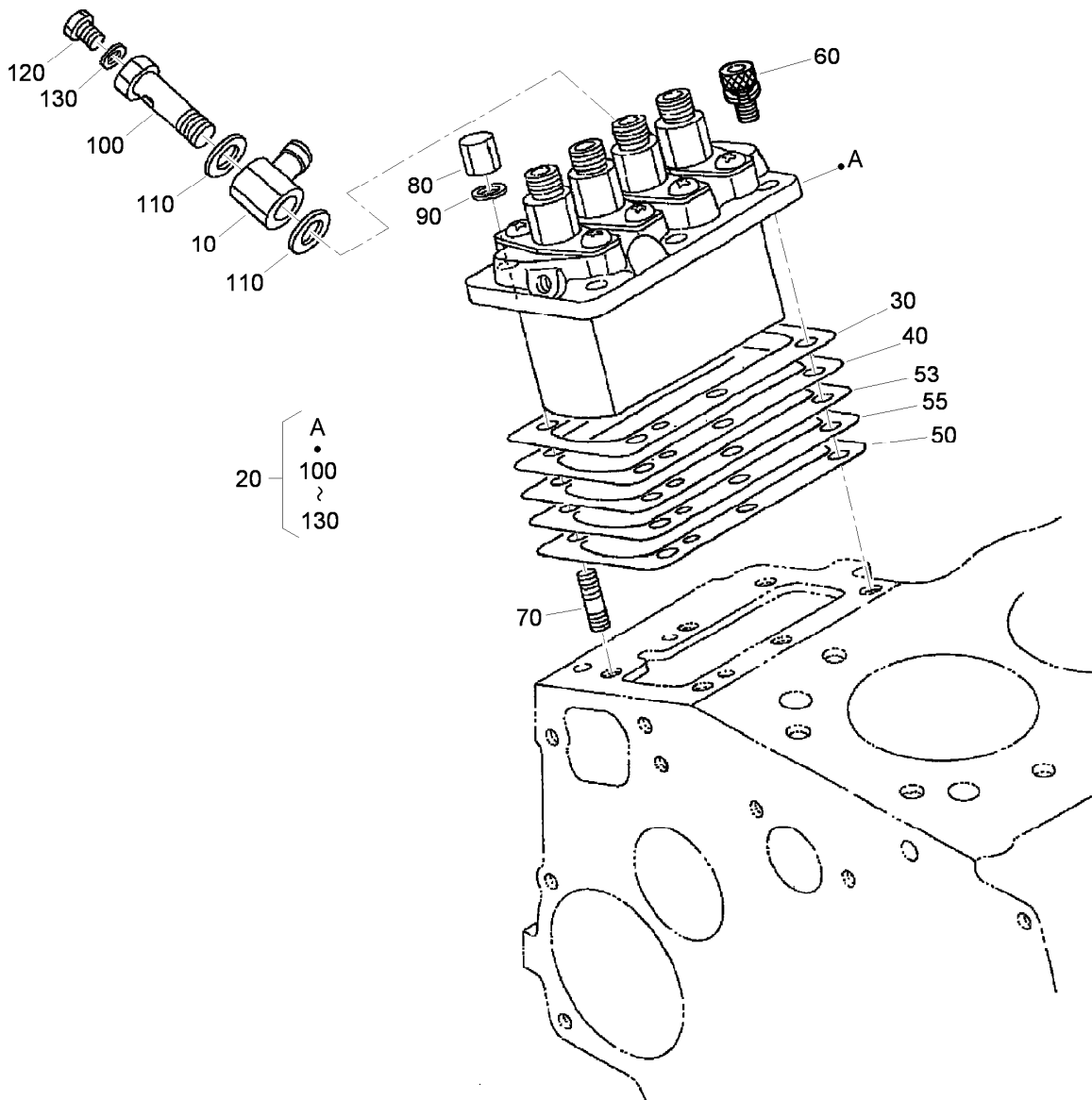
| Ref. | Part Number | Qty. | Description |
|------|-------------|------|-------------------------|
| 130 | 98-9673 | 1 | Gear-Governor |
| 140 | 98-9561 | 1 | Holder-Weight, Governor |
| 150 | 98-9559 | 2 | Governor Weight ASM |
| 160 | 98-9560 | 2 | Shaft-Weight, Governor |
| 170 | 98-9692 | 2 | Roller |
| 180 | 98-9563 | 1 | Sleeve-Governor |
| 190 | 98-9564 | 1 | Washer-Thrust |
| 200 | 107-9079 | 1 | Bearing-Ball |
| 210 | 98-9657 | 1 | Circlip-Shaft, Governor |
| 220 | 98-9565 | 1 | Screw-Set |



Idle Apparatus Assembly

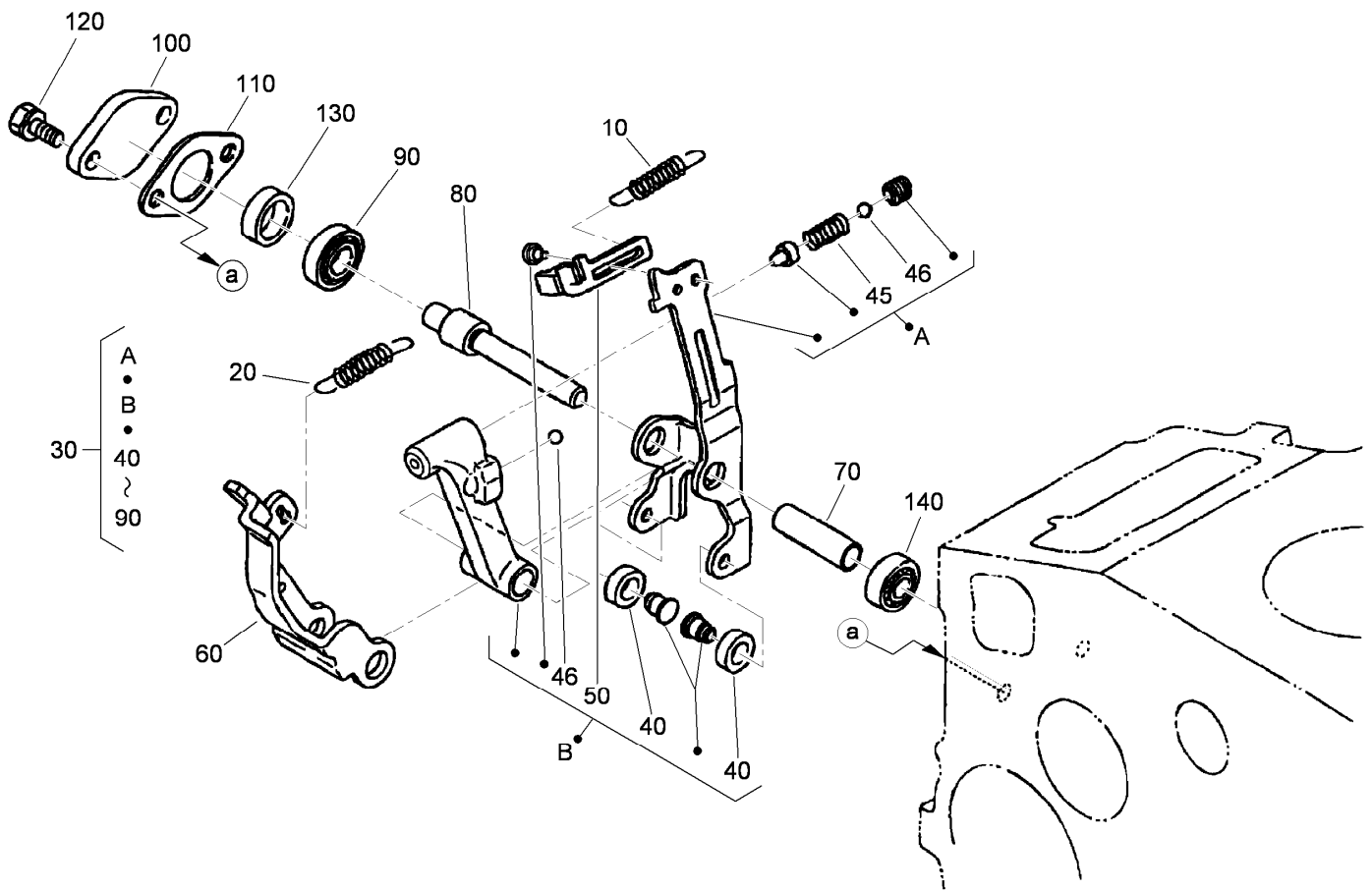
| <i>Ref.</i> | <i>Part Number</i> | <i>Qty.</i> | <i>Description</i> |
|-------------|--------------------|-------------|--------------------|
| 10 | 98-9678 | 1 | Idle Apparatus ASM |
| 20 | 112-7014 | 1 | Adjusting Bolt ASM |
| 30 | 98-9439 | 1 | Nut |
| 40 | 112-0181 | 1 | Nut |
| 50 | 98-7654 | 2 | Gasket |
| 60 | 98-7656 | 1 | Cap |
| 70 | 112-7015 | 1 | Bolt-Adjusting |
| 80 | 100-2175 | 1 | Nut-Lock |
| 90 | 112-0181 | 1 | Nut |

| <i>Ref.</i> | <i>Part Number</i> | <i>Qty.</i> | <i>Description</i> |
|-------------|--------------------|-------------|--------------------|
| 100 | 98-7654 | 1 | Gasket |
| 110 | 107-9081 | 1 | Gasket |
| 120 | 104-5155 | 1 | Solenoid-Stop |
| 130 | 115-3039 | 2 | Bolt-HSH |
| 150 | 112-7016 | 1 | Cover-Pump |
| 160 | 100-2203 | 2 | Nut-Flange |
| 170 | 99-3514 | 1 | Cover |
| 180 | 98-9636 | 1 | Gasket-Pump, Fuel |



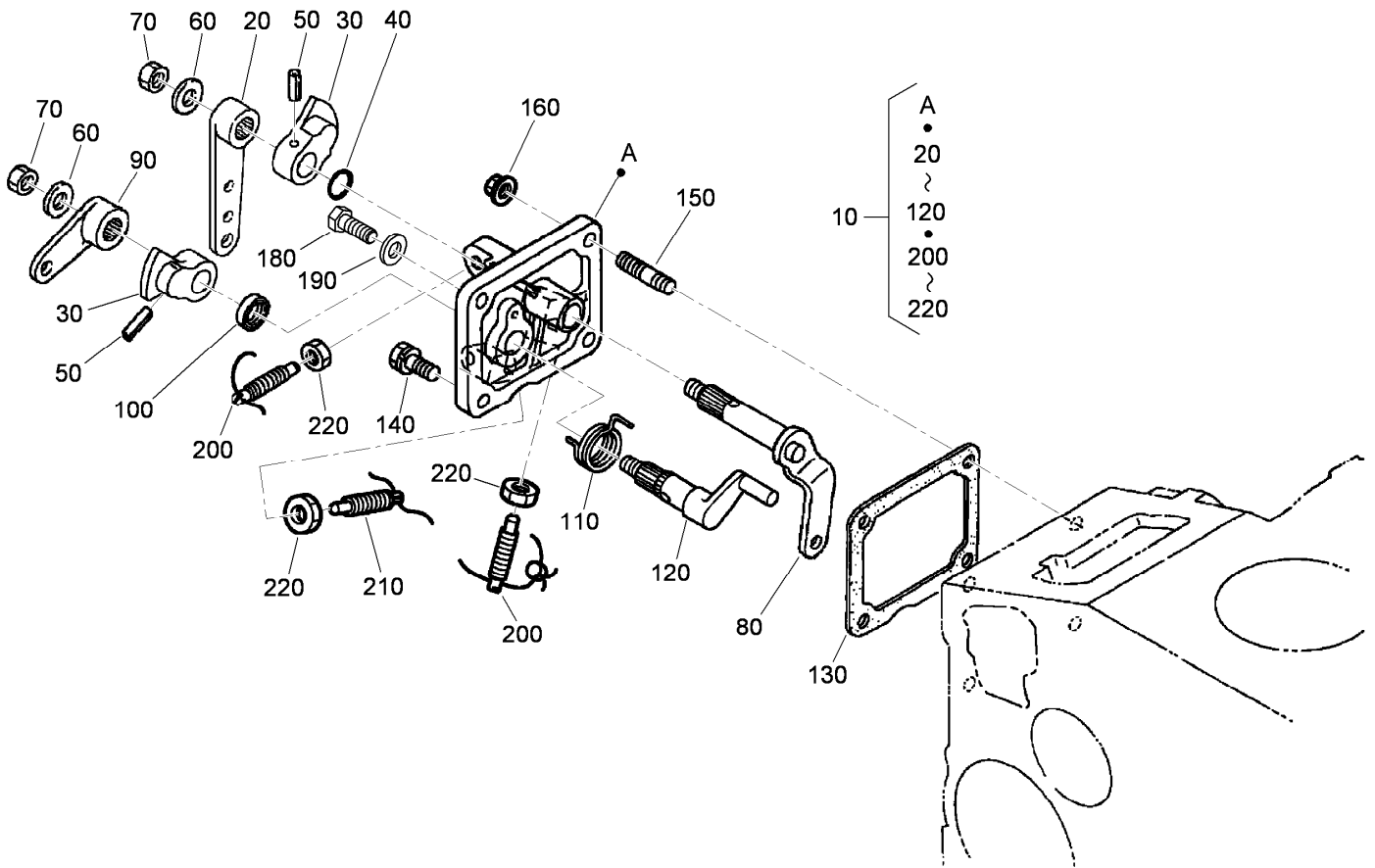
Injection Pump Assembly

| Ref. | Part Number | Qty. | Description |
|-------------|--------------------|-------------|-------------------------------|
| 10 | 98-9596 | 1 | Joint-Eye |
| 20 | 105-3727 | 1 | Injection Pump ASM |
| 30 | 105-3728 | 1 | Shim-Pump, Injection (.20Mm) |
| 40 | 105-3729 | 1 | Shim-Pump, Injection (.25Mm) |
| 50 | 105-3730 | 1 | Shim-Pump, Injection (.30Mm) |
| 53 | 115-3016 | 1 | Shim-Pump, Injection (.350Mm) |
| 55 | 115-3017 | 1 | Shim-Pump, Injection (.175Mm) |
| 60 | 117-7564 | 3 | Bolt-Hex Soc HD |
| 70 | 98-9438 | 3 | Stud |
| 80 | 98-9440 | 3 | Nut-Cap |
| 90 | 98-7699 | 6 | Washer-Spring |
| 100 | 98-9464 | 1 | Bolt-Joint |
| 110 | 98-9445 | 2 | Gasket |
| 120 | 98-9430 | 1 | Screw |
| 130 | 98-9446 | 1 | Gasket |



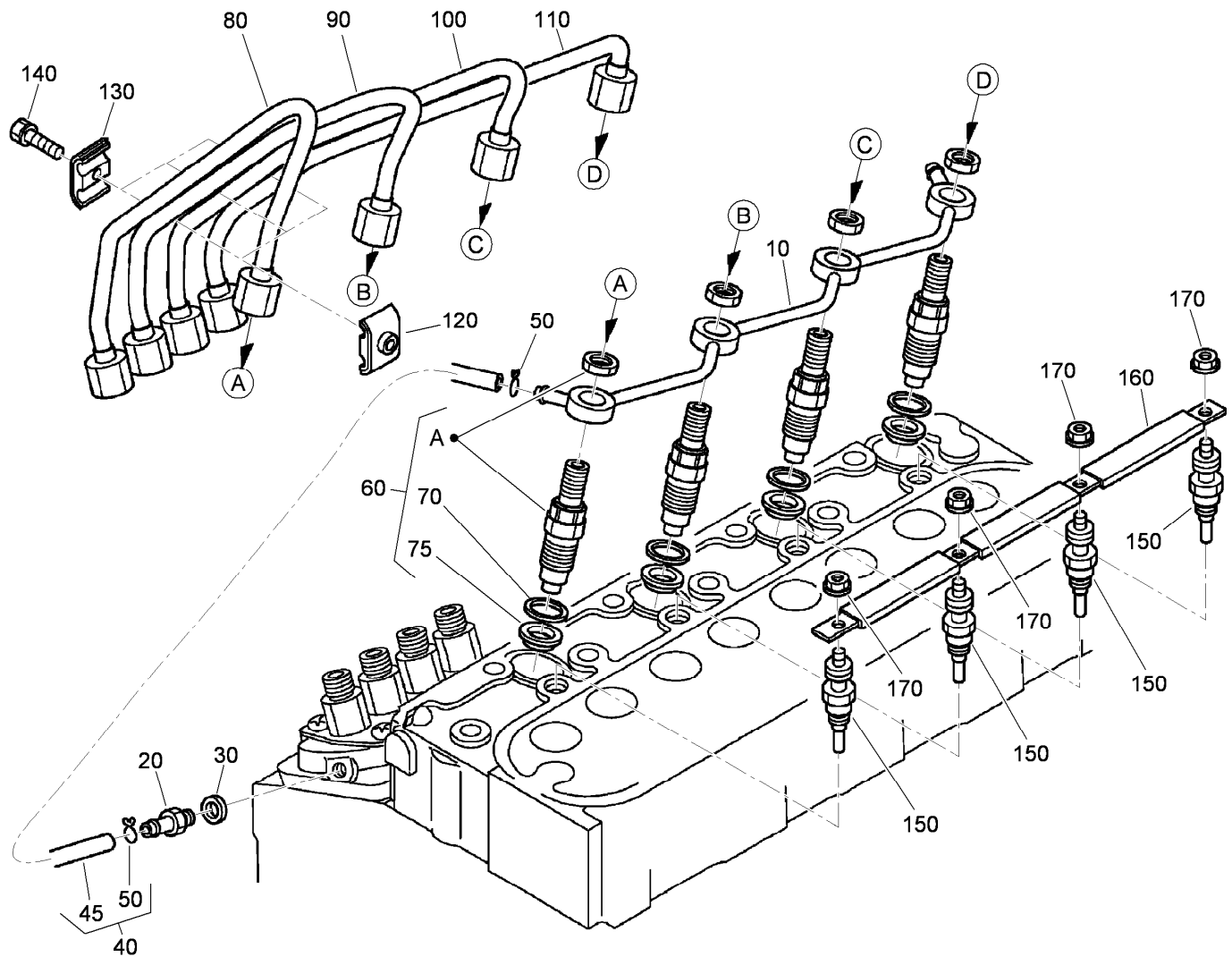
Governor Assembly

| <i>Ref.</i> | <i>Part Number</i> | <i>Qty.</i> | <i>Description</i> | <i>Ref.</i> | <i>Part Number</i> | <i>Qty.</i> | <i>Description</i> |
|-------------|--------------------|-------------|--------------------|-------------|--------------------|-------------|-------------------------|
| 10 | 105-3741 | 1 | Spring-Start | 70 | 107-9085 | 1 | Shaft-Lever, Fork |
| 20 | 98-9681 | 1 | Spring-Governor | 80 | 107-9086 | 1 | Shaft-Lever, Fork |
| 30 | 115-4502 | 1 | Fork Lever ASM | 90 | 98-9570 | 1 | Bearing-Miniaturize |
| 40 | 98-9692 | 2 | Roller | 100 | 115-4122 | 1 | Cover-Shaft, Fork Lever |
| 45 | 108-2867 | 1 | Spring | 110 | 98-9682 | 1 | Gasket |
| 46 | 98-7580 | 2 | Ball | 120 | 98-9350 | 2 | Bolt |
| 50 | 107-9083 | 1 | Lever-Thrust | 130 | 98-9567 | 1 | Collar |
| 60 | 107-9084 | 1 | Lever-Fork | 140 | 98-9571 | 1 | Bearing-Miniaturize |



Speed Control Plate Assembly

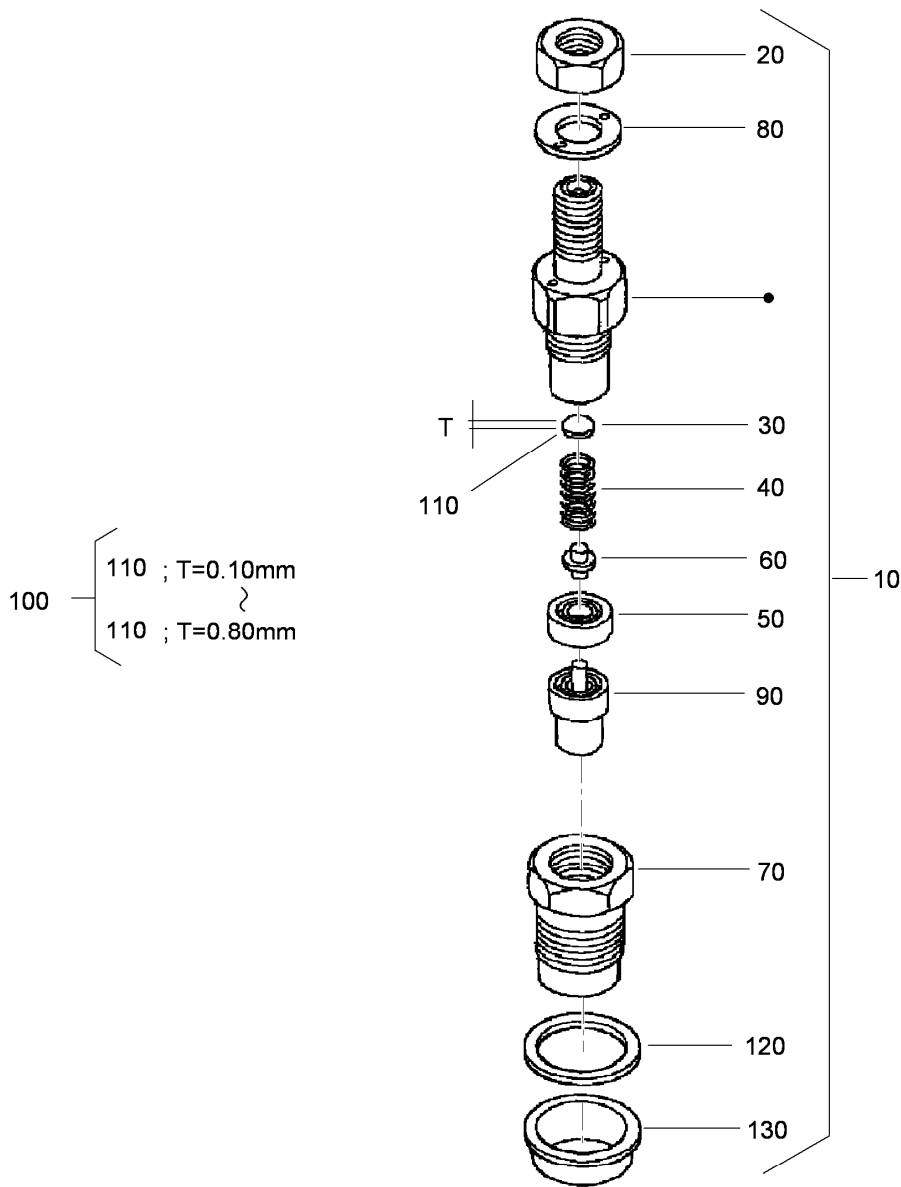
| <i>Ref.</i> | <i>Part Number</i> | <i>Qty.</i> | <i>Description</i> | <i>Ref.</i> | <i>Part Number</i> | <i>Qty.</i> | <i>Description</i> |
|-------------|--------------------|-------------|----------------------|-------------|--------------------|-------------|--------------------|
| 10 | 105-3735 | 1 | Control Plate ASM | 120 | 98-9664 | 1 | Shaft-Lever, Stop |
| 20 | 98-9662 | 1 | Lever-Control, Speed | 130 | 98-9637 | 1 | Gasket |
| 30 | 98-9572 | 2 | Lever-Control, Speed | 140 | 98-7692 | 1 | Bolt |
| 40 | 105-3788 | 1 | O-Ring | 150 | 105-3710 | 1 | Stud |
| 50 | 98-7602 | 2 | Pin-Spring | 160 | 98-7572 | 2 | Nut |
| 60 | 98-9594 | 2 | Washer-Plain | 180 | 99-8348 | 2 | Bolt |
| 70 | 98-9589 | 2 | Nut | 190 | 98-7654 | 2 | Gasket |
| 80 | 98-9658 | 1 | Governor Lever ASM | 200 | 117-7565 | 2 | Bolt-Adjusting |
| 90 | 98-9663 | 1 | Lever-Stop, Engine | 210 | 117-7566 | 1 | Bolt-Adjusting |
| 100 | 98-7601 | 1 | Seal-Oil | 220 | 98-7572 | 3 | Nut |
| 110 | 98-9472 | 1 | Spring-Return | | | | |



Nozzle Holder and Glow Plug Assembly

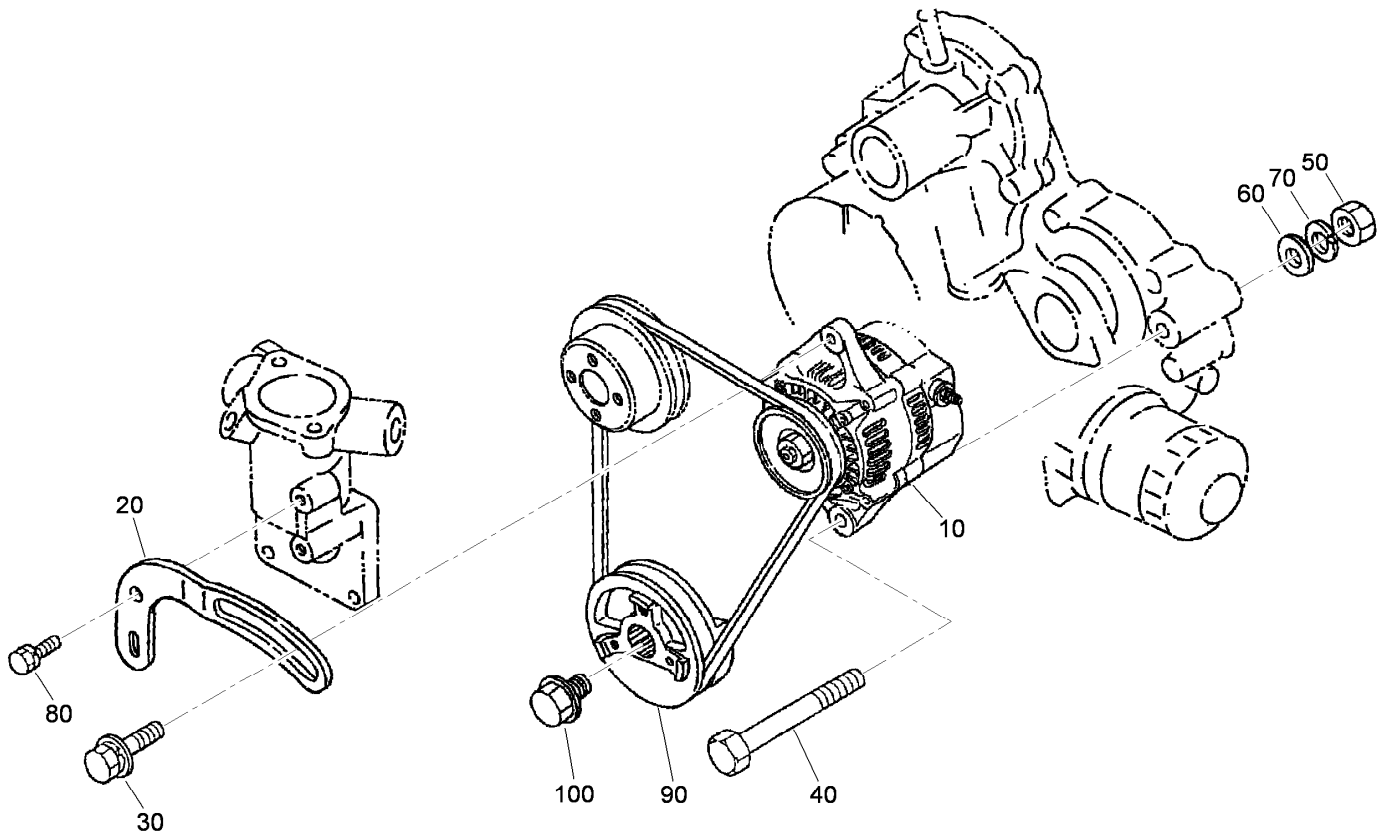
| Ref. | Part Number | Qty. | Description |
|------|-------------|------|--------------------|
| 10 | 105-3737 | 1 | Over Flow Pipe ASM |
| 20 | 98-9431 | 1 | Screw-Bleeder, Air |
| 30 | 98-7654 | 1 | Gasket |
| 40 | 98-9420 | 1 | Overflow Pipe ASM |
| 45 | 112-0182 | 1 | Pipe-Overflow |
| 50 | 98-7671 | 2 | Clip-Pipe |
| 60 | 115-3018 | 4 | Nozzle Holder Kit |
| 70 | 98-7676 | 4 | Gasket |
| 75 | 98-7677 | 4 | Seal-Heat |
| 80 | 98-9653 | 1 | Pipe-Injection |

| Ref. | Part Number | Qty. | Description |
|------|-------------|------|------------------|
| 90 | 98-9654 | 1 | Pipe-Injection |
| 100 | 98-9655 | 1 | Pipe-Injection |
| 110 | 105-3738 | 1 | Pipe-Injection |
| 120 | 98-7682 | 3 | Clamp-Pipe |
| 130 | 98-7683 | 3 | Clamp-Pipe |
| 140 | 98-7684 | 3 | Screw (W/Washer) |
| 150 | 115-3019 | 4 | Plug-Glow |
| 160 | 105-3739 | 1 | Cord-Plug, Glow |
| 170 | 99-8377 | 4 | Nut-Flange |



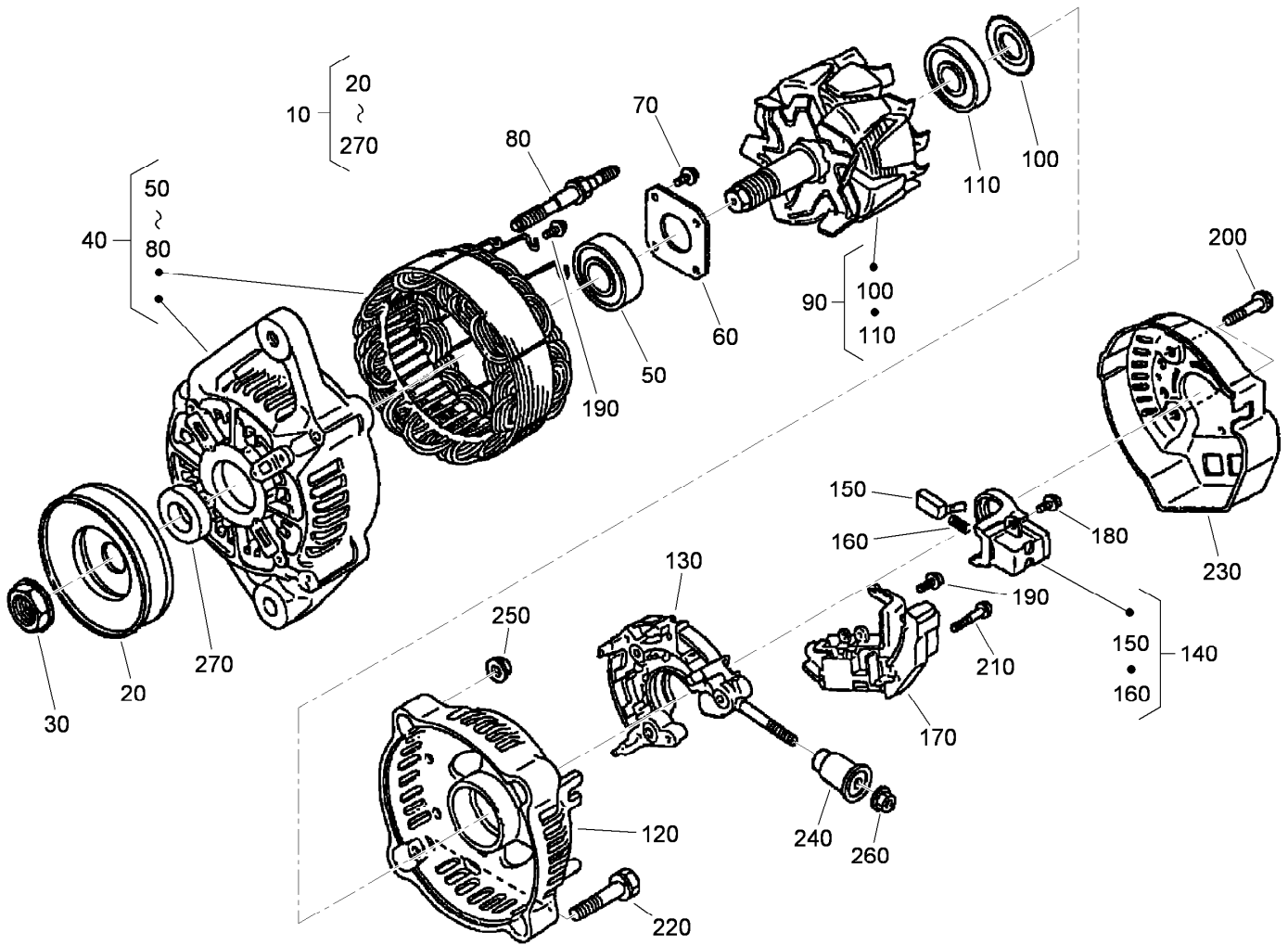
Nozzle Holder Component Assembly

| Ref. | Part Number | Qty. | Description | Ref. | Part Number | Qty. | Description |
|------|-------------|------|------------------------|------|-------------|------|------------------------|
| 10 | 115-3018 | 4 | Nozzle Holder Kit | 110 | 99-8311 | 4 | Washer-Adjust (0.20Mm) |
| 20 | 99-8301 | 4 | Nut | 110 | 99-8312 | 4 | Washer-Adjust (0.30Mm) |
| 30 | 99-8302 | 4 | Washer-Adjusting | 110 | 99-8313 | 4 | Washer-Adjust (0.40Mm) |
| 40 | 99-8303 | 4 | Spring-Nozzle | 110 | 99-8314 | 4 | Washer-Adjust (0.50Mm) |
| 50 | 99-8304 | 4 | Spacer-Distance | 110 | 99-8315 | 4 | Washer-Adjust (0.52Mm) |
| 60 | 99-8305 | 4 | Rod-Push | 110 | 99-8316 | 4 | Washer-Adjust (0.54Mm) |
| 70 | 99-8306 | 4 | Nut-Nozzle | 110 | 99-8317 | 4 | Washer-Adjust (0.56Mm) |
| 80 | 99-8307 | 4 | Washer-Plain | 110 | 99-8318 | 4 | Washer-Adjust (0.58Mm) |
| 90 | 115-3020 | 4 | Piece-Nozzle | 110 | 99-8319 | 4 | Washer-Adjust (0.80Mm) |
| 100 | 99-8309 | 4 | Adjusting Washer ASM | 120 | 98-7676 | 4 | Gasket |
| 110 | 99-8310 | 4 | Washer-Adjust (0.10Mm) | 130 | 98-7677 | 4 | Seal-Heat |



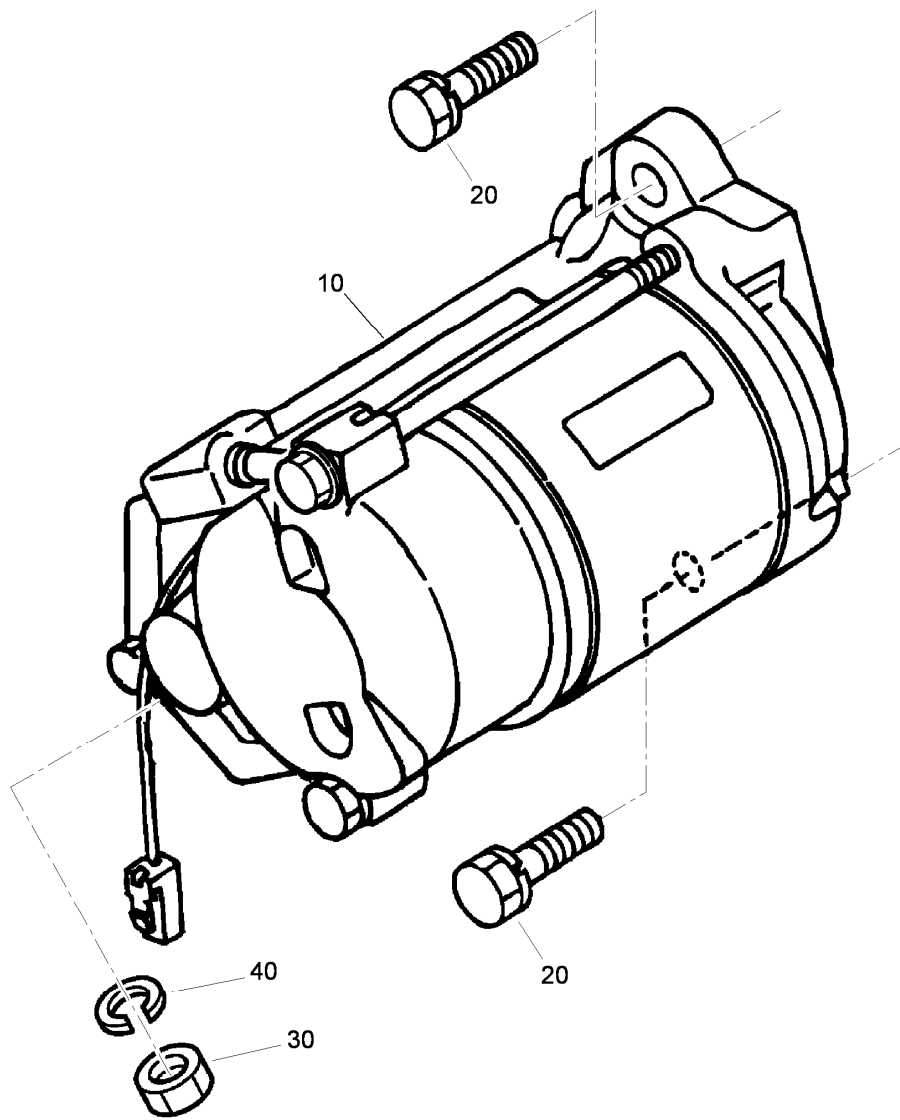
Alternator and Pulley Assembly

| <i>Ref.</i> | <i>Part Number</i> | <i>Qty.</i> | <i>Description</i> |
|-------------|--------------------|-------------|--------------------|
| 10 | 117-5541 | 1 | Alternator ASM |
| 20 | 117-5542 | 1 | Bracket |
| 30 | 108-7088 | 1 | Bolt |
| 40 | 98-9360 | 1 | Bolt |
| 50 | 98-7737 | 1 | Nut |
| 60 | 98-7696 | 1 | Washer-Plain |
| 70 | 98-7738 | 1 | Washer-Spring |
| 80 | 98-7692 | 1 | Bolt |
| 90 | 105-3745 | 1 | Pulley-Drive, Fan |
| 100 | 98-9585 | 1 | Bolt |



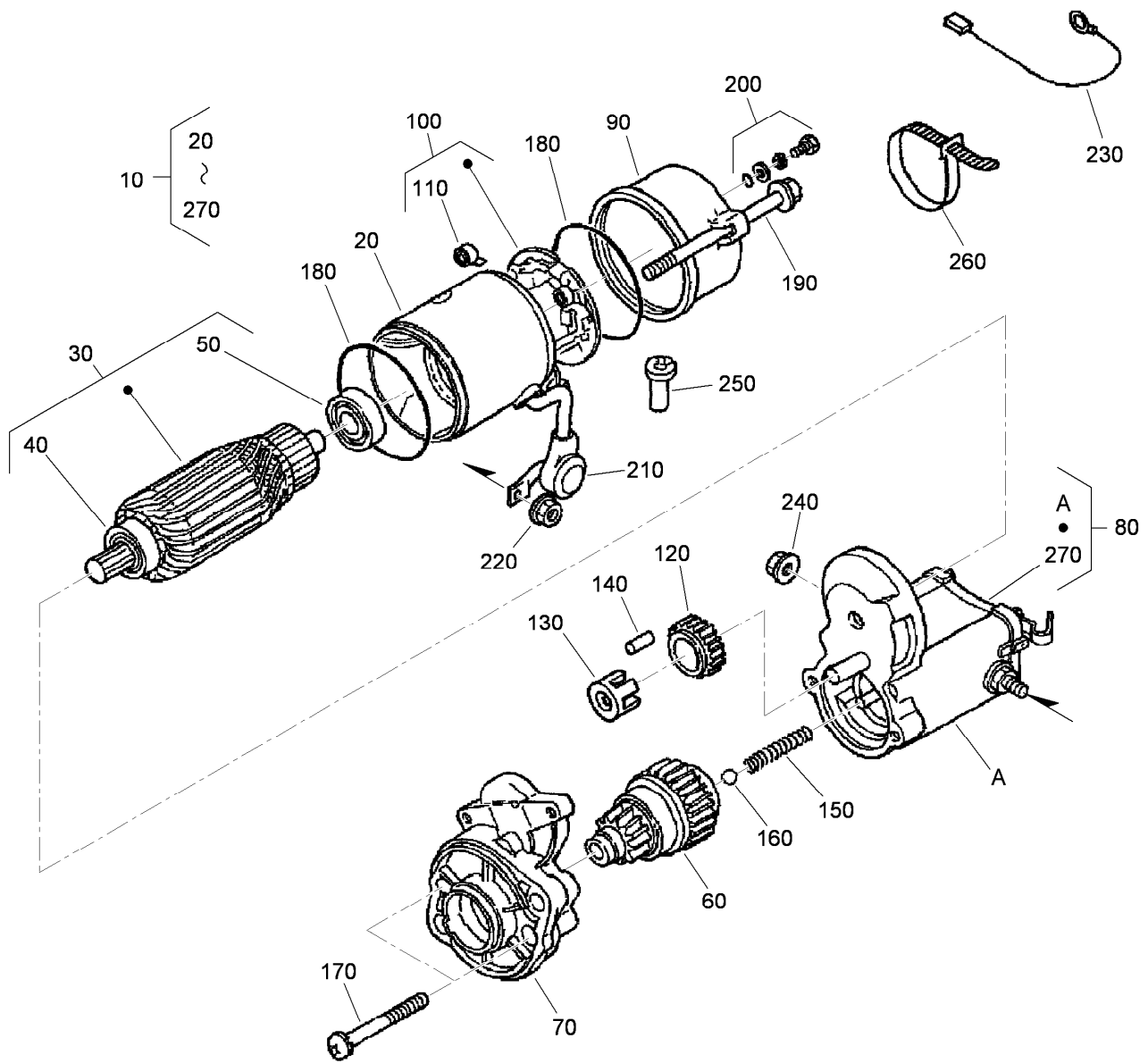
Alternator Components

| <i>Ref.</i> | <i>Part Number</i> | <i>Qty.</i> | <i>Description</i> | <i>Ref.</i> | <i>Part Number</i> | <i>Qty.</i> | <i>Description</i> |
|-------------|--------------------|-------------|---------------------|-------------|--------------------|-------------|--------------------|
| 10 | 117-5541 | 1 | Alternator ASM | 150 | 98-7724 | 2 | Brush |
| 20 | 98-9453 | 1 | Pulley-Dynamo | 160 | 98-7725 | 2 | Spring-Brush |
| 30 | 98-7708 | 1 | Nut | 170 | 117-0319 | 1 | Regulator ASM |
| 40 | 117-0316 | 1 | Drive End Frame ASM | 180 | 98-7728 | 1 | Screw-Head, Round |
| 50 | 107-0137 | 1 | Bearing-Ball | 190 | 98-7727 | 6 | Screw-Head, Round |
| 60 | 98-7715 | 1 | Plate-Retainer | 200 | 98-7729 | 3 | Bolt |
| 70 | 98-7716 | 4 | Screw-Head, Round | 210 | 98-7726 | 2 | Screw-Head, Round |
| 80 | 98-7717 | 2 | Bolt-Through | 220 | 98-7731 | 2 | Bolt |
| 90 | 117-0317 | 1 | Rotor ASM | 230 | 117-0320 | 1 | Cover-End |
| 100 | 98-7711 | 1 | Cover-Bearing | 240 | 117-0321 | 1 | Insulation-Brush |
| 110 | 107-0138 | 1 | Bearing-Ball | 250 | 98-7730 | 2 | Nut |
| 120 | 117-0318 | 1 | Frame-End | 260 | 98-7732 | 1 | Nut |
| 130 | 117-0322 | 1 | Holder | 270 | 98-7709 | 1 | Collar |
| 140 | 107-0141 | 1 | Brush Holder ASM | | | | |



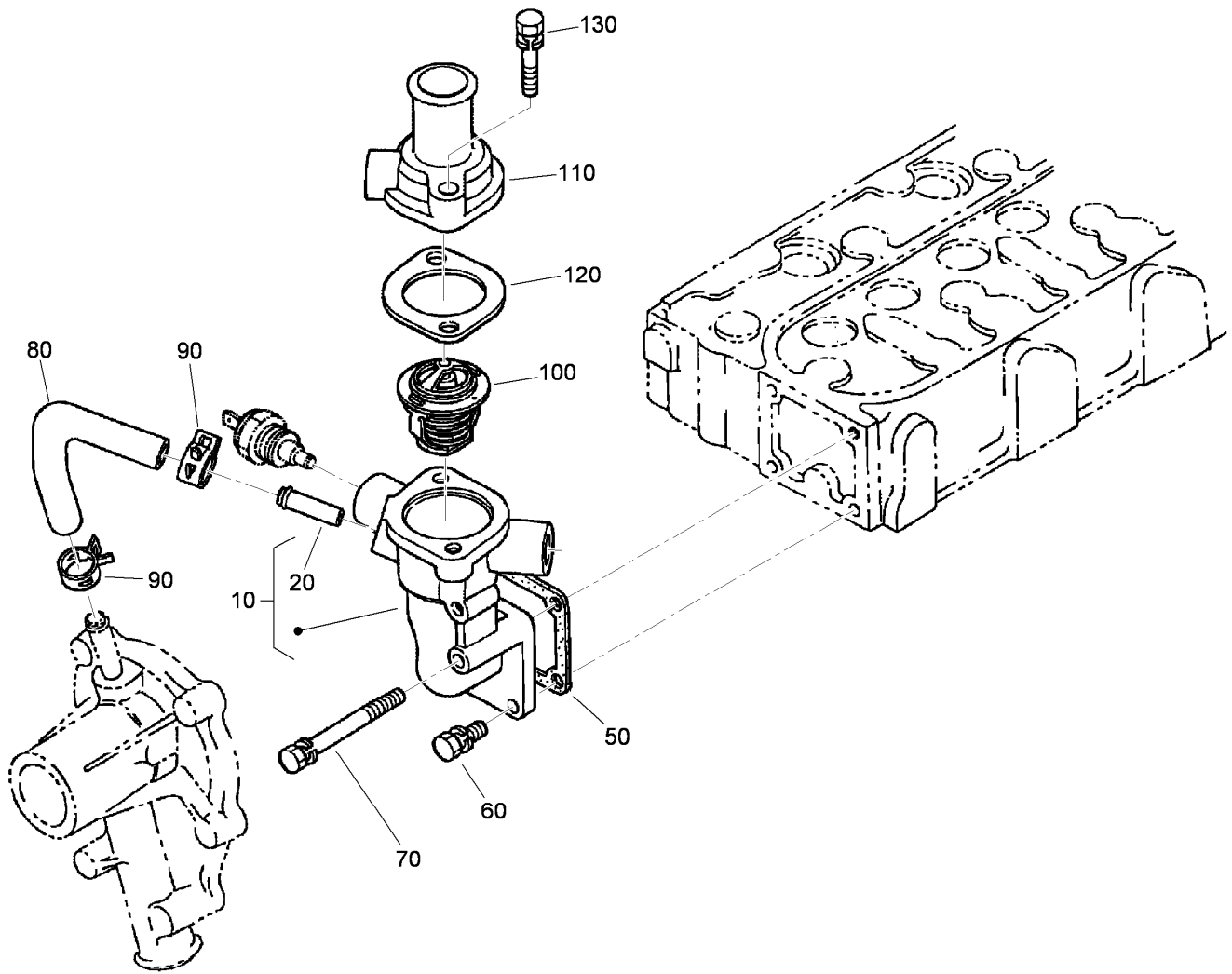
Starter Assembly

| <i>Ref.</i> | <i>Part Number</i> | <i>Qty.</i> | <i>Description</i> |
|-------------|--------------------|-------------|--------------------|
| 10 | 98-9705 | 1 | Starter ASM |
| 20 | 98-7697 | 2 | Bolt |
| 30 | 98-7739 | 1 | Nut |
| 40 | 105-2893 | 1 | Washer-Spring |



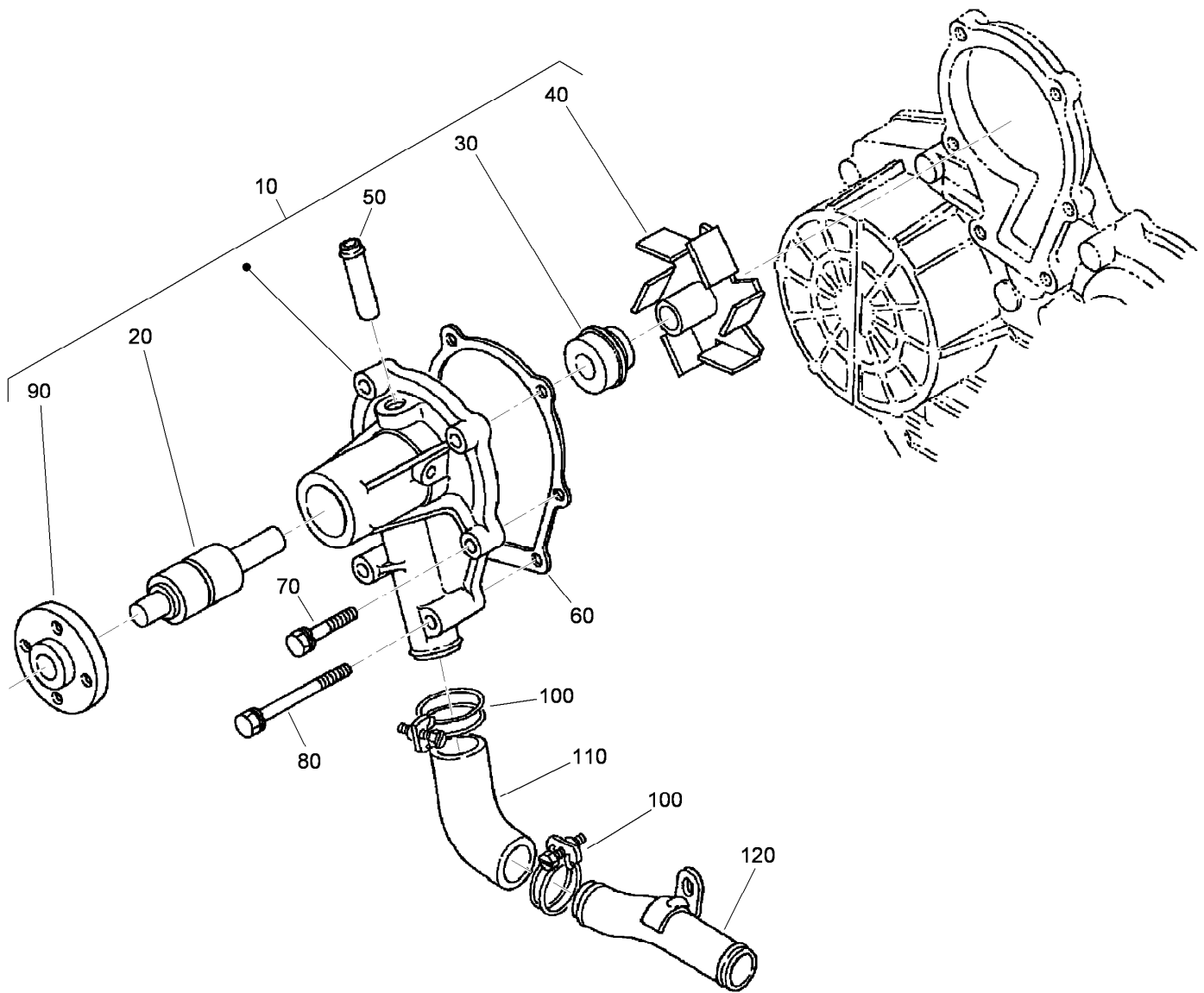
Starter (Component Part) Assembly

| Ref. | Part Number | Qty. | Description | Ref. | Part Number | Qty. | Description |
|------|-------------|------|----------------------|------|-------------|------|---------------------|
| 10 | 98-9705 | 1 | Starter ASM | 150 | 98-7754 | 1 | Spring |
| 20 | 104-8608 | 1 | Yoke ASM | 160 | 98-7755 | 1 | Ball |
| 30 | 98-7742 | 1 | Armature ASM | 170 | 98-7756 | 2 | Bolt |
| 40 | 98-7744 | 1 | Bearing | 180 | 98-7757 | 2 | O-Ring |
| 50 | 98-7743 | 1 | Bearing | 190 | 100-9240 | 2 | Bolt |
| 60 | 99-8373 | 1 | Clutch-Running, Over | 200 | 98-7758 | 2 | Bolt ASM |
| 70 | 99-8374 | 1 | Frame-End, Drive | 210 | 99-8375 | 1 | Cover |
| 80 | 105-3746 | 1 | Magnetic Switch ASM | 220 | 99-8371 | 1 | Nut-Hex |
| 90 | 98-7748 | 1 | Frame-End | 230 | 98-9711 | 1 | Cord-Solenoid, Stop |
| 100 | 98-7749 | 1 | Brush Holder ASM | 240 | 99-8376 | 1 | Nut-Hex |
| 110 | 98-7750 | 4 | Spring-Brush | 250 | 98-7759 | 1 | Pipe-Drain |
| 120 | 98-7751 | 1 | Gear | 260 | 98-9712 | 1 | Band-Cover |
| 130 | 98-7752 | 1 | Retainer | 270 | 105-2886 | 1 | Cover ASM |
| 140 | 98-7753 | 5 | Roller | | | | |



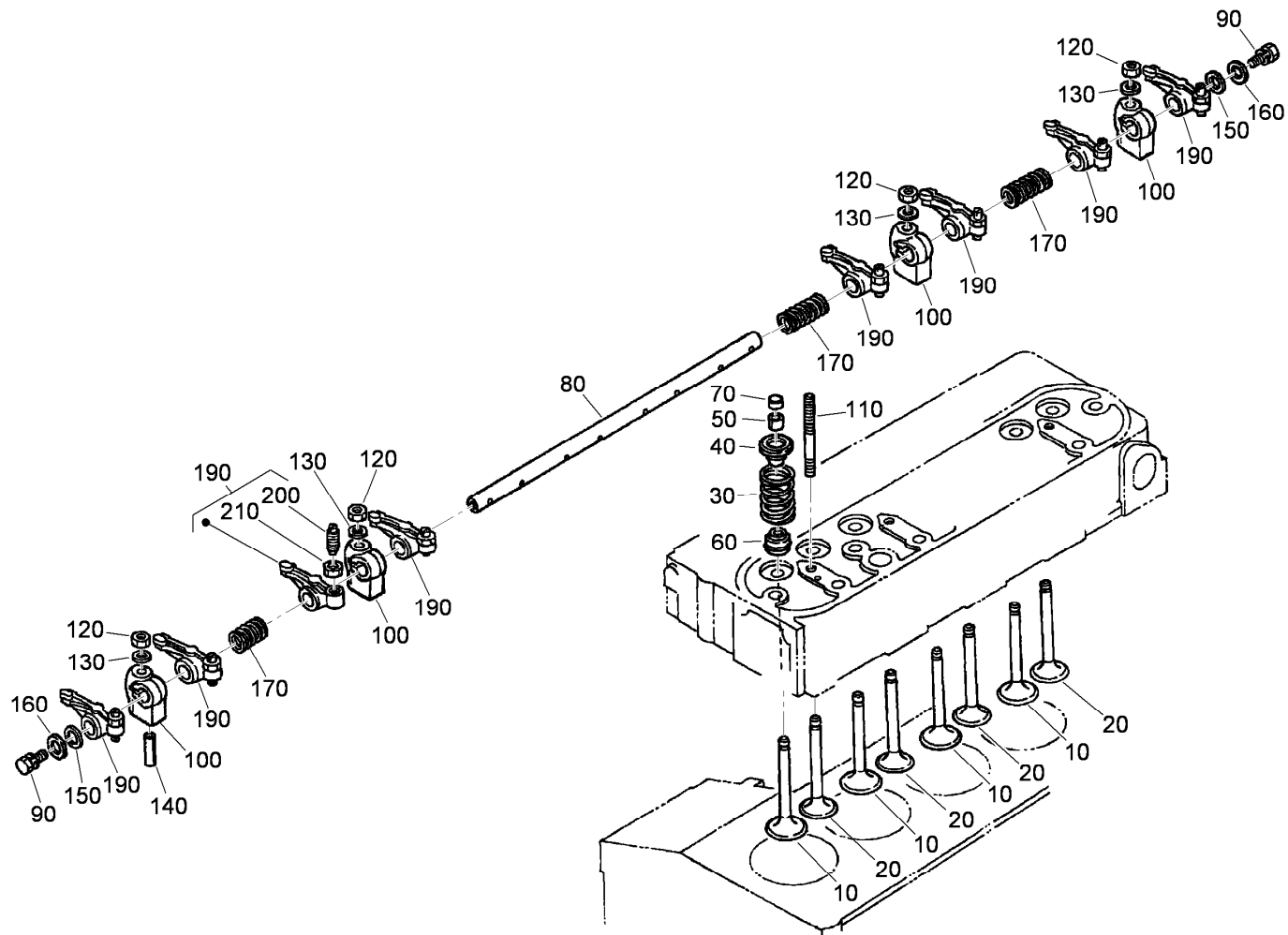
Water Flange Assembly

| Ref. | Part Number | Qty. | Description |
|------|-------------|------|----------------------|
| 10 | 98-9713 | 1 | Water Flange ASM |
| 20 | 98-9580 | 1 | Pipe-Return, Water |
| 50 | 98-9638 | 1 | Gasket-Flange, Water |
| 60 | 98-7692 | 3 | Bolt |
| 70 | 98-9356 | 1 | Bolt |
| 80 | 98-9578 | 1 | Pipe-Return, Water |
| 90 | 98-9579 | 2 | Band-Pipe |
| 100 | 98-7778 | 1 | Thermostat ASM |
| 110 | 98-9471 | 1 | Cover-Thermostat |
| 120 | 105-3748 | 1 | Gasket-Thermostat |
| 130 | 98-7777 | 2 | Bolt |



Water Pump Assembly

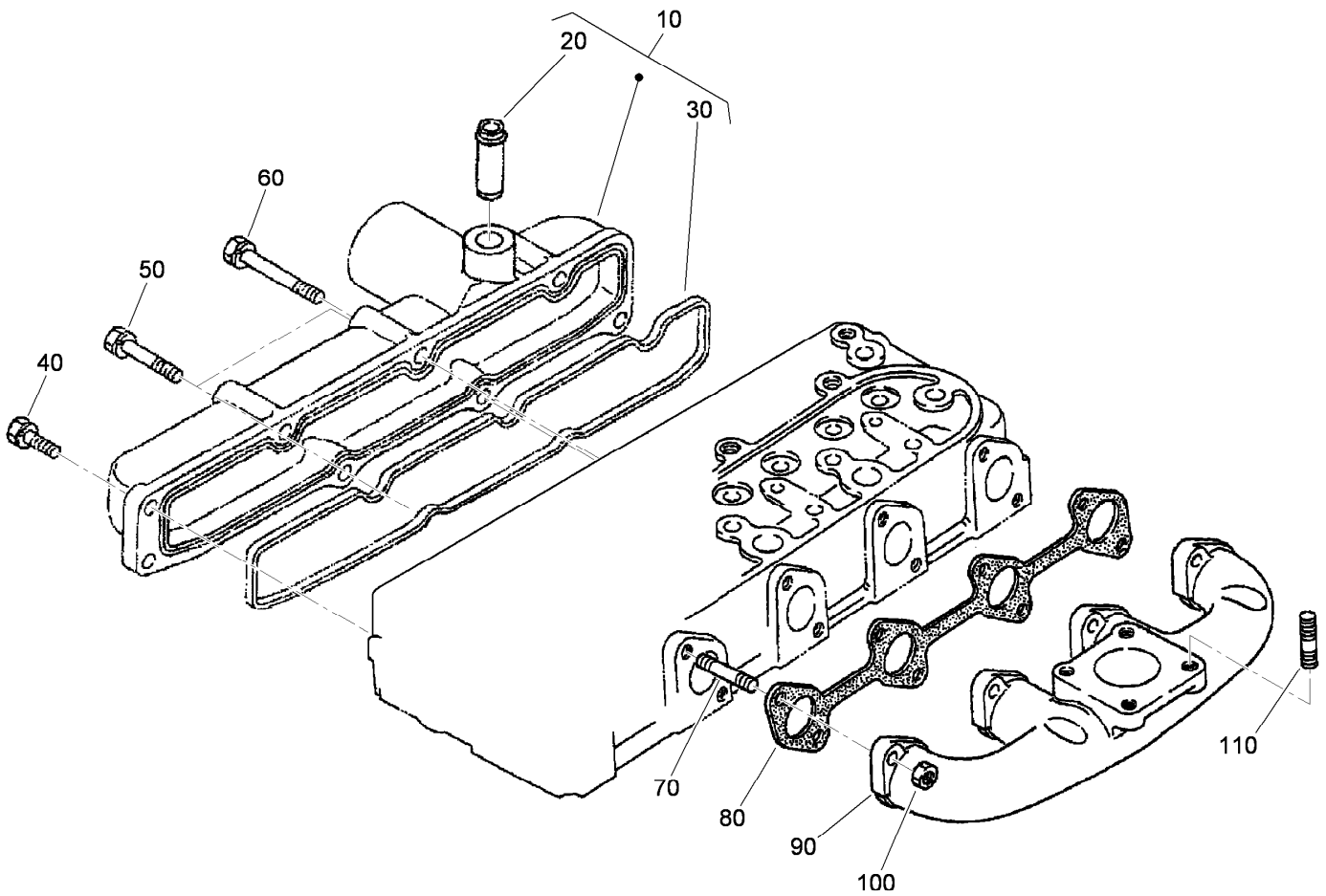
| Ref. | Part Number | Qty. | Description |
|------|-------------|------|----------------------|
| 10 | 107-9089 | 1 | Water Pump ASM |
| 20 | 99-3517 | 1 | Bearing-Pump, Water |
| 30 | 105-3750 | 1 | Mechanical Seal ASM |
| 40 | 112-7017 | 1 | Impeller-Pump, Water |
| 50 | 100-1932 | 1 | Pipe-Return, Water |
| 60 | 99-3454 | 1 | Gasket-Pump, Water |
| 70 | 98-9353 | 4 | Bolt |
| 80 | 107-9090 | 2 | Bolt |
| 90 | 99-3516 | 1 | Flange-Pump, Water |
| 100 | 98-9717 | 2 | Clamp |
| 110 | 107-9091 | 1 | Pipe-Water |
| 120 | 98-9716 | 1 | Pipe-Water |



Valve and Rocker Arm Assembly

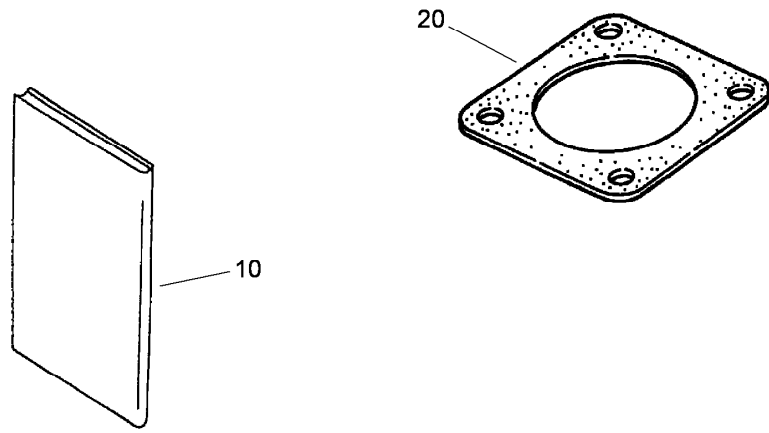
| Ref. | Part Number | Qty. | Description |
|------|-------------|------|----------------------|
| 10 | 120-2563 | 4 | Valve-Inlet |
| 20 | 120-2564 | 4 | Valve-Exhaust |
| 30 | 98-9648 | 8 | Spring-Valve |
| 40 | 107-9092 | 8 | Retainer-Spring |
| 50 | 117-7572 | 8 | Collet-Spring, Valve |
| 60 | 99-8385 | 8 | Seal-Stem, Valve |
| 70 | 98-9497 | 8 | Cap-Valve |
| 80 | 105-3790 | 1 | R-Arm Shaft ASM |
| 90 | 100-9265 | 2 | Bolt |
| 100 | 98-9505 | 4 | Bracket-Arm, Rocker |

| Ref. | Part Number | Qty. | Description |
|------|-------------|------|---------------------|
| 110 | 98-9506 | 4 | Stud |
| 120 | 98-9393 | 4 | Nut |
| 130 | 98-9385 | 4 | Washer-Flat |
| 140 | 105-3758 | 1 | Pin-Spring |
| 150 | 98-9507 | 2 | Washer-Shaft, R-Arm |
| 160 | 110-3832 | 2 | Washer-Plain |
| 170 | 98-9504 | 2 | Spring-Arm, Rocker |
| 190 | 112-7020 | 8 | Rocker Arm ASM |
| 200 | 98-9502 | 8 | Screw-Adjusting |
| 210 | 98-9503 | 8 | Nut |



Intake and Exhaust Manifold Assembly

| <i>Ref.</i> | <i>Part Number</i> | <i>Qty.</i> | <i>Description</i> |
|-------------|--------------------|-------------|------------------------|
| 10 | 108-2874 | 1 | Intake Manifold ASM |
| 20 | 98-9492 | 1 | Joint-Pipe, Breather |
| 30 | 105-3760 | 1 | Gasket-Manifold, Inlet |
| 40 | 98-7605 | 3 | Bolt |
| 50 | 98-9353 | 2 | Bolt |
| 60 | 105-3797 | 3 | Bolt |
| 70 | 98-9588 | 8 | Stud |
| 80 | 105-3765 | 1 | Gasket-Ex-Manifold |
| 90 | 112-0187 | 1 | Manifold-Exhaust |
| 100 | 98-9665 | 8 | Nut |
| 110 | 98-7769 | 4 | Stud |



Muffler Gasket and Operator Manual

| <i>Ref.</i> | <i>Part Number</i> | <i>Qty.</i> | <i>Description</i> |
|-------------|--------------------|-------------|-------------------------|
| 10 | 117-8836 | 1 | Manual-Operator, Kubota |
| 20 | 99-8343 | 1 | Gasket-Muffler |

Attachments and Accessories

For 30542 Groundsmaster 360 4-Wheel Drive Multi-Purpose Machine with Cab

| Product Name | Model/Part |
|--|-------------------|
| Bahiagrass Baffle Kit | 105-7269 |
| Blade-Belt Kit, 72in Guardian Only | 105-7271 |
| Green Diesel Cap | 107-2172 |
| Premium Transmission/Hydraulic Tractor Fluid (55 Gallon Drum)..... | 108-1183 |
| Premium Transmission/Hydraulic Tractor Fluid (5 Gallon Pail) | 108-1184 |
| Flat Blade | 112-9586 |
| 5in Air Cleaner Safety Element..... | 114-4057 |
| Work Light Kit | 114-5610 |
| Electrical Accessory Kit | 115-0019 |
| Hourmeter, Wireless Hourmeter System | 115-4754 |
| Spark Arrestor | 117-3281 |
| Beacon Kit | 120-0256 |
| Cloth Backrest Extension Kit..... | 120-0567 |
| Auxiliary Power Unit..... | 120-6675 |
| Registration Plate Kit | 120-6678 |
| Weight Transfer Kit | 120-6683 |
| Premium Engine Oil 15w40 (55 Gallon Drum) | 121-6394 |
| Premium Engine Oil 15w40 (5 Gallon Pail) | 121-6395 |
| 400-hour Filter Maintenance Kit..... | 30052 |
| 72in Guardian Recycler Completion Kit | 30304 |
| 72in Guardian Fine Recycler Completion Kit | 30346 |
| V-Plow Mounting Kit..... | 30378 |
| CE Kit | 30507 |
| Quick Attach Front Frame..... | 30509 |
| Road Light Kit (Europe) | 30516 |
| Road Light Kit, (North American) | 30517 |
| Speed Reduction Kit | 30547 |
| 72in Rear Discharge Completion Kit..... | 30549 |
| Jack Stand Kit..... | 30579 |
| 48in V-Plow..... | 30750 |
| Diagnostic Display Box..... | 85-4750 |

Notes:



Count on it.